



N°		
1	0.6 m	29.5 m ²

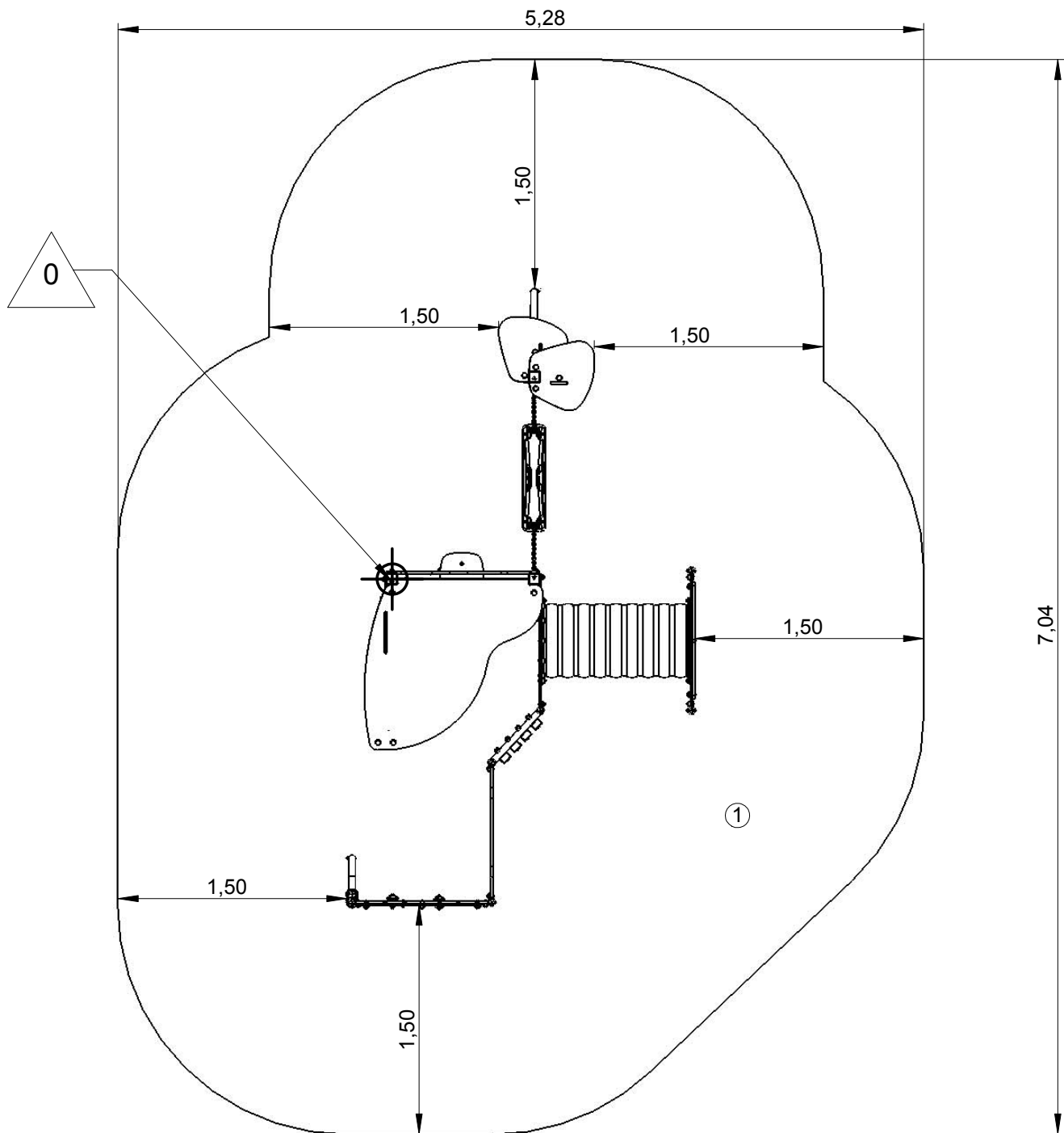
— Zone d'impact
Impact area
Area de impacto
Fallraum
Valzone

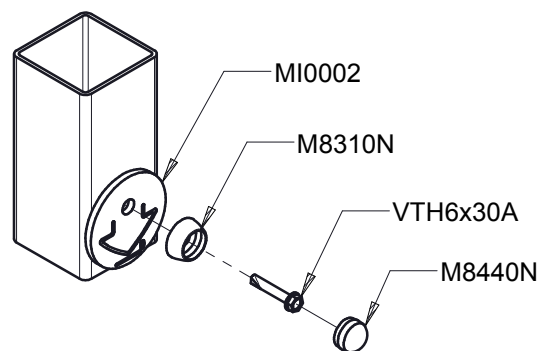
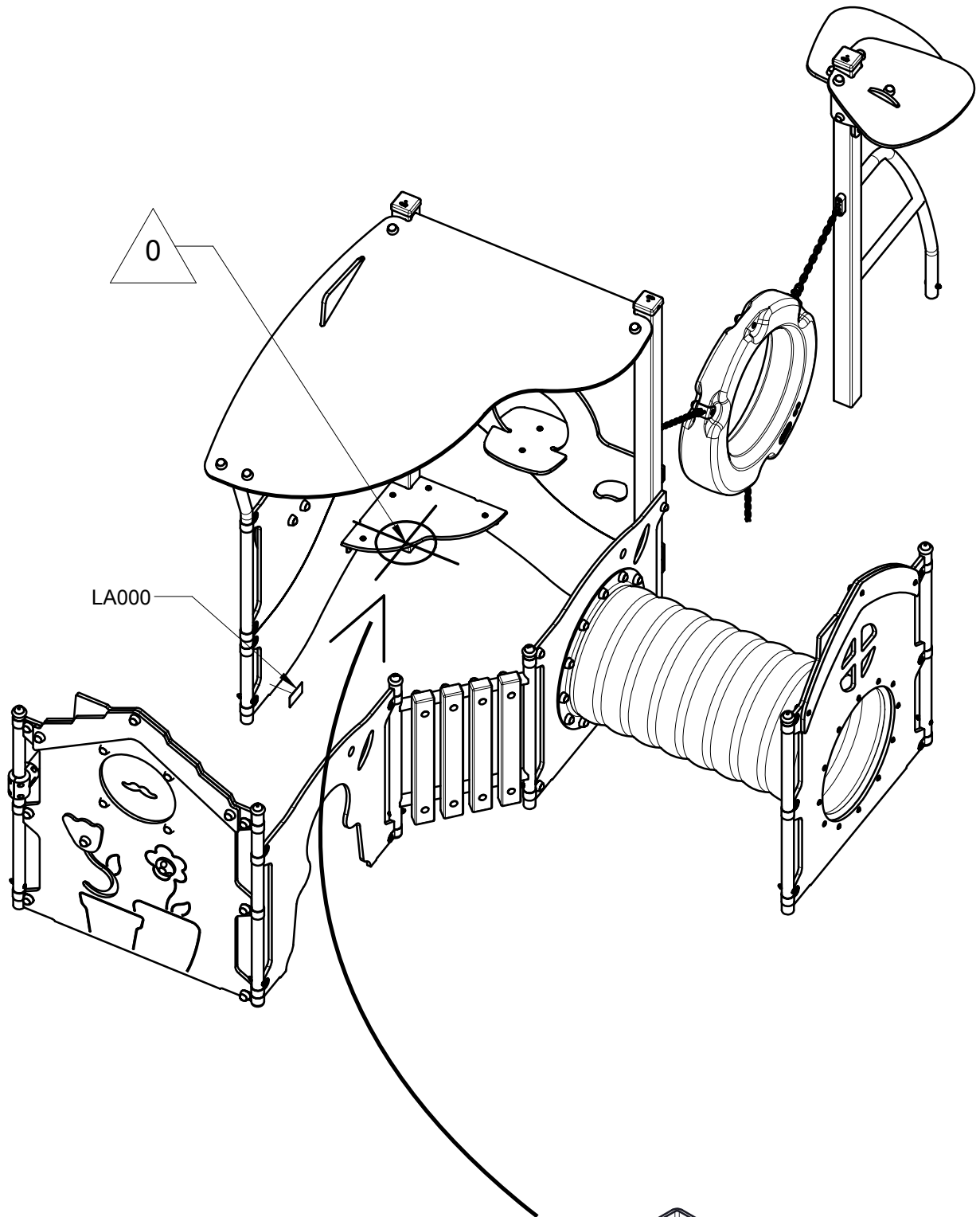


Point de référence
Setting out point
Punto de referencia
Bezugspunkt
Referentiepunt

- - - Espace libre
Free space
Espacio libre
Freiraum
Vrije ruimte

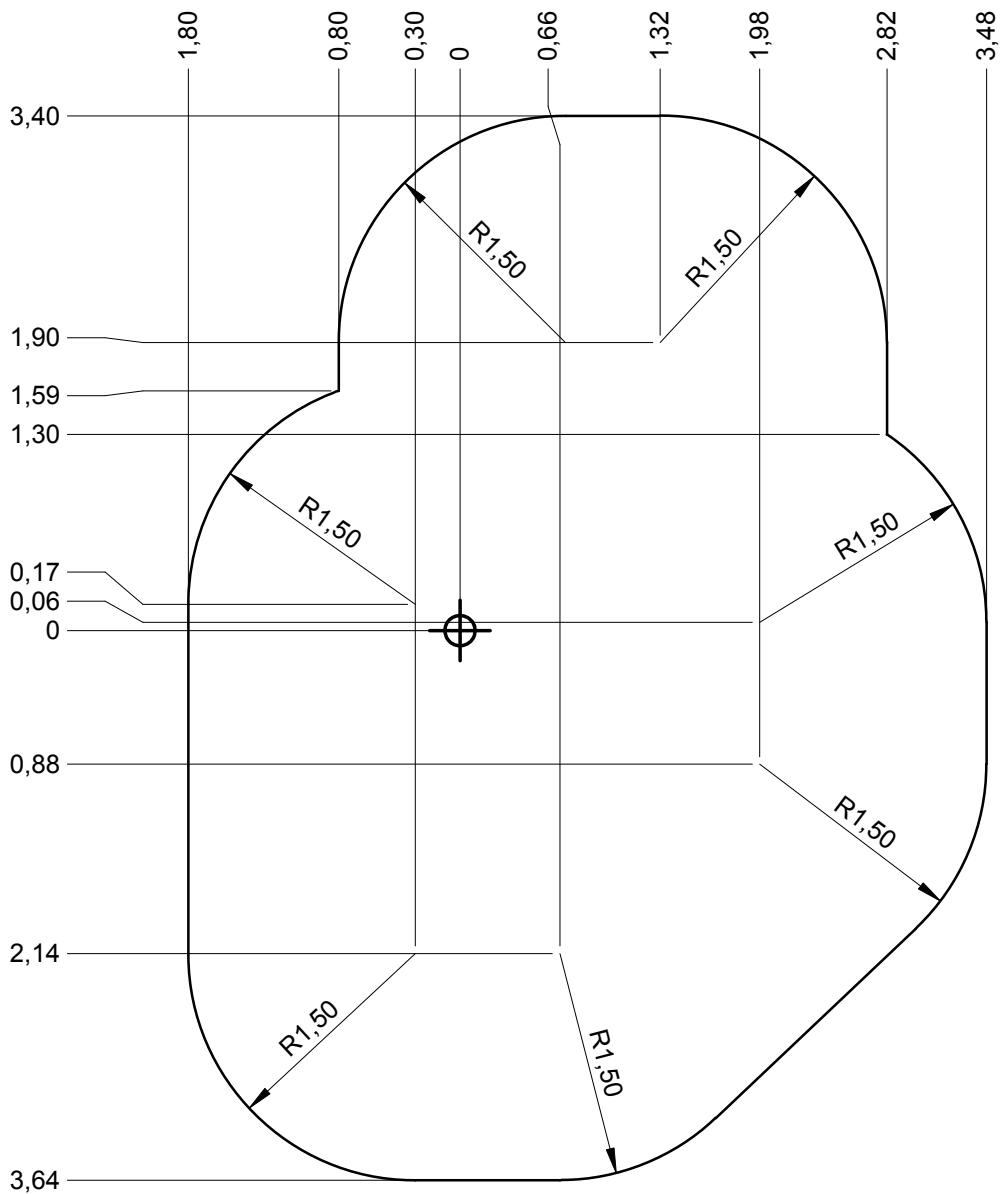
EN1176-1:2017





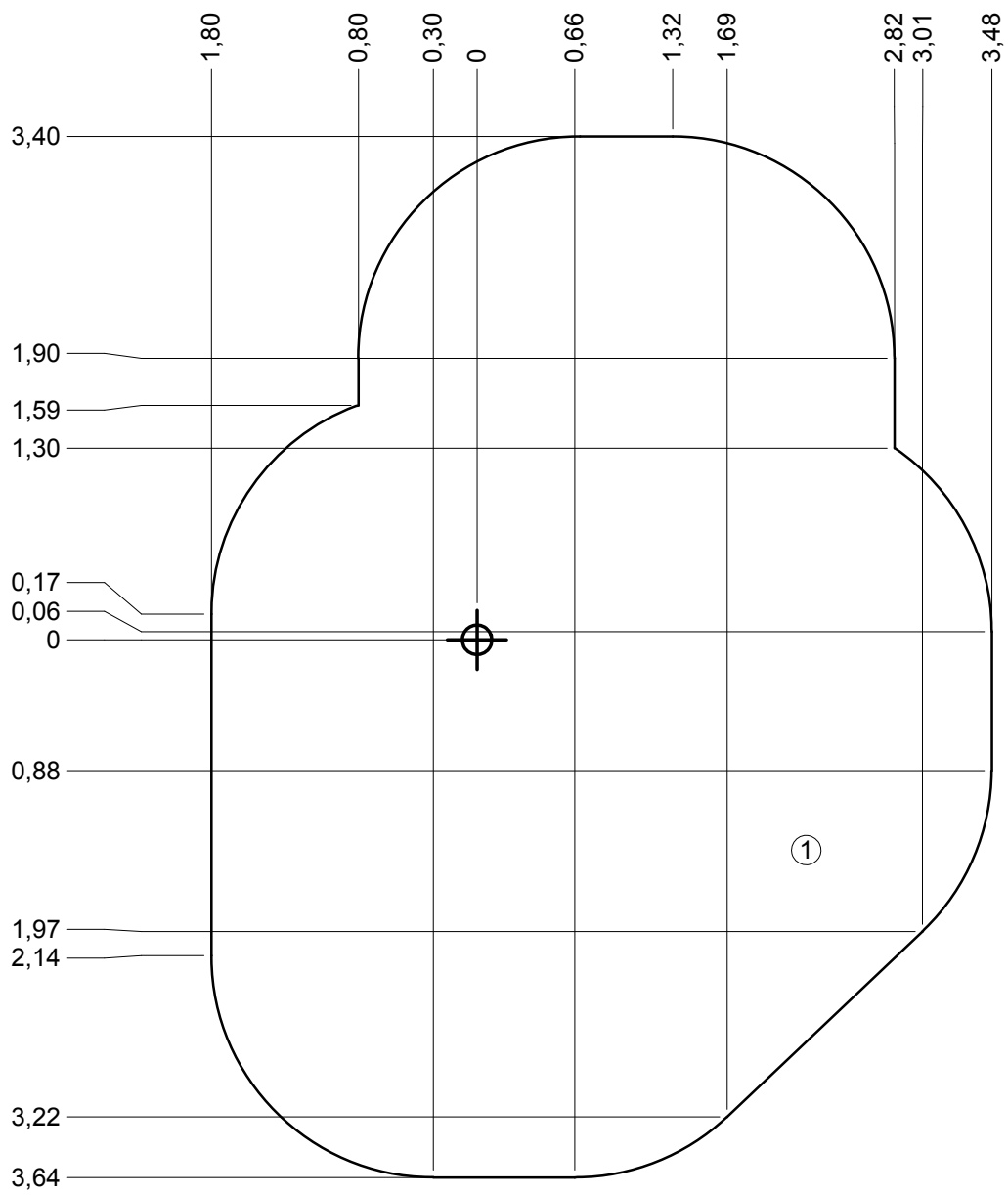
— Zone d'impact
 Impact area
 Area de impacto
 Fallraum
 Valzone

29.5 m²



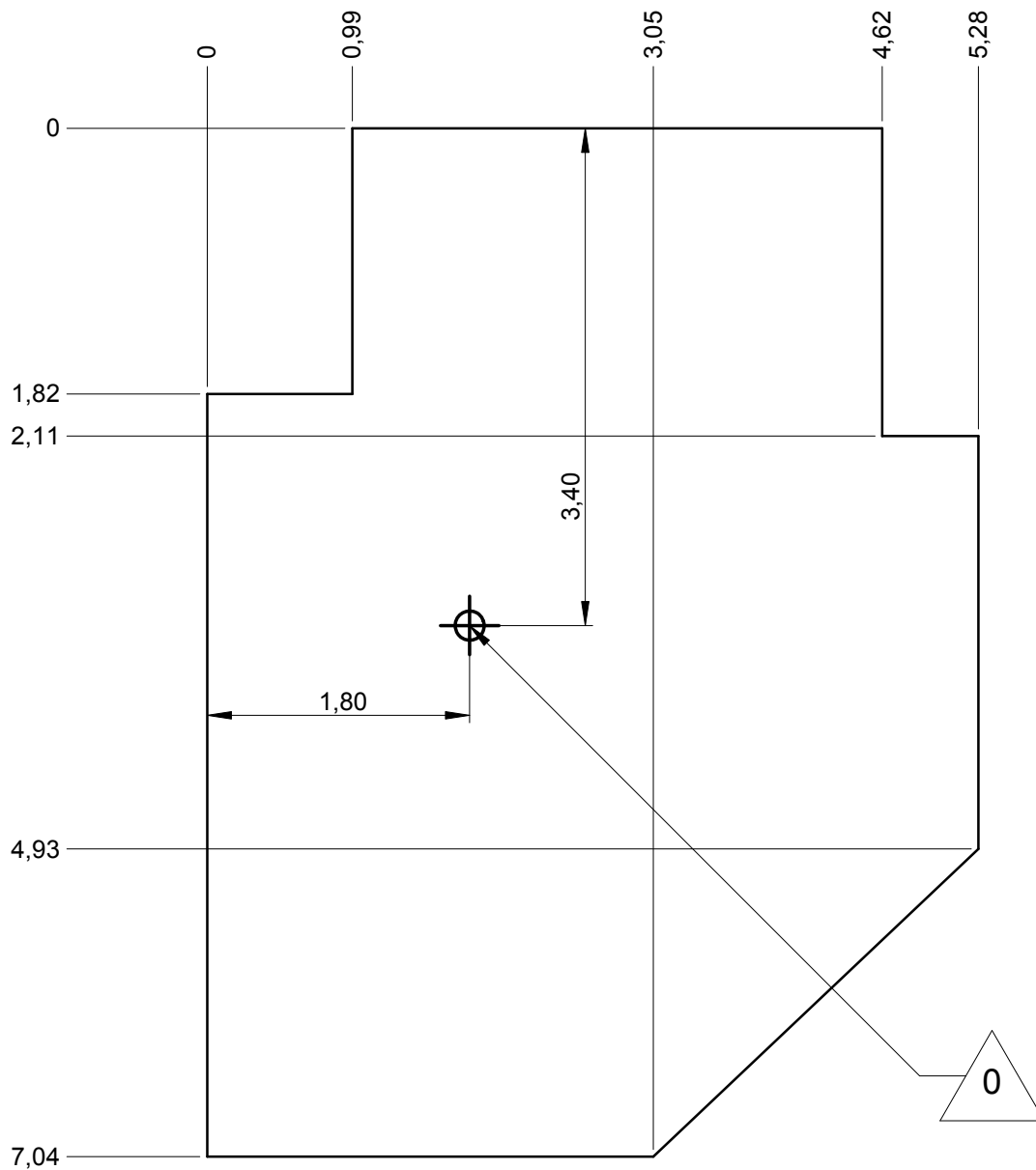
— Sol souple
 Wetpour
 Caucho continuo
 Synthetischer Fallschutz
 Gietvloer

29.5 m²

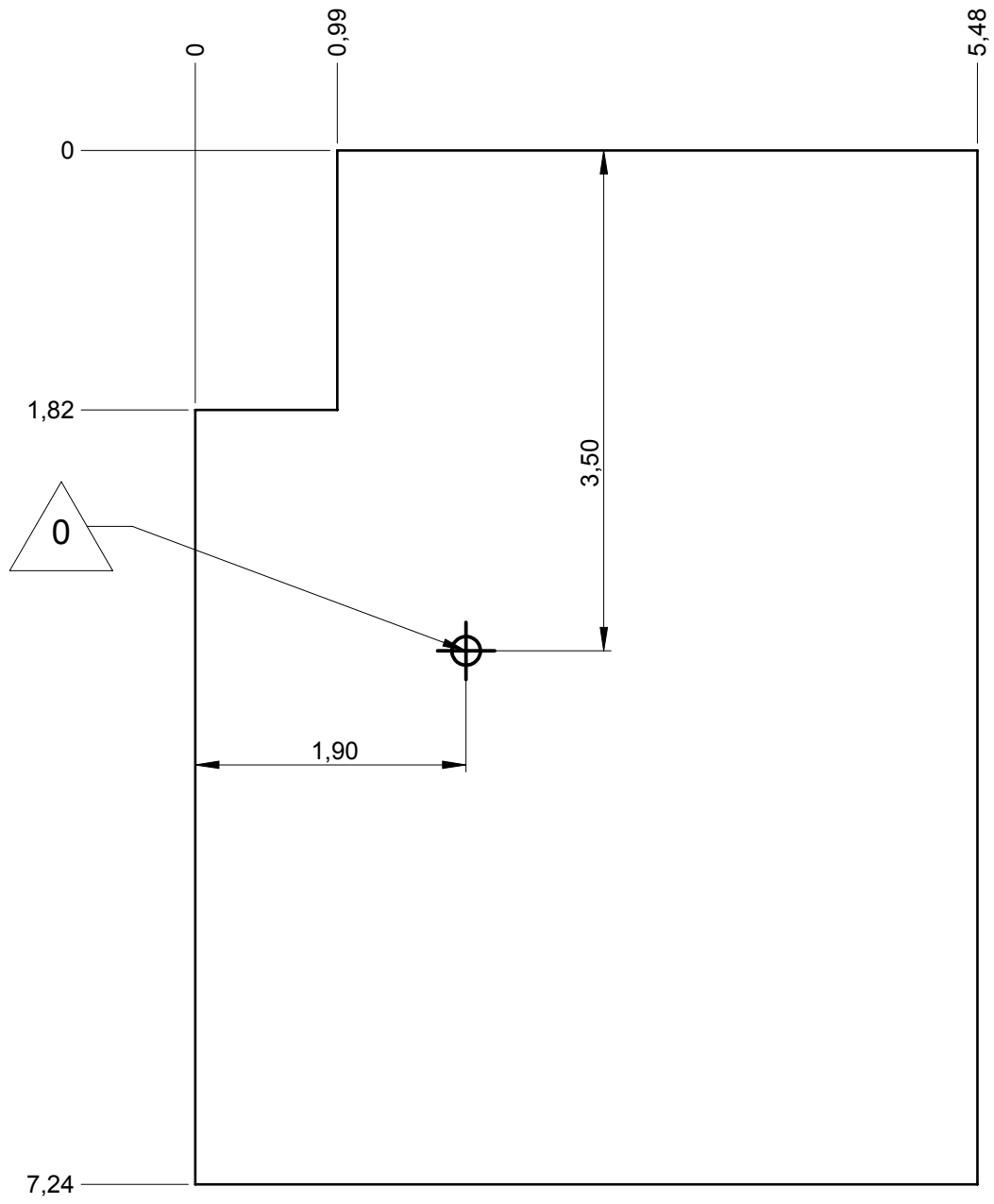


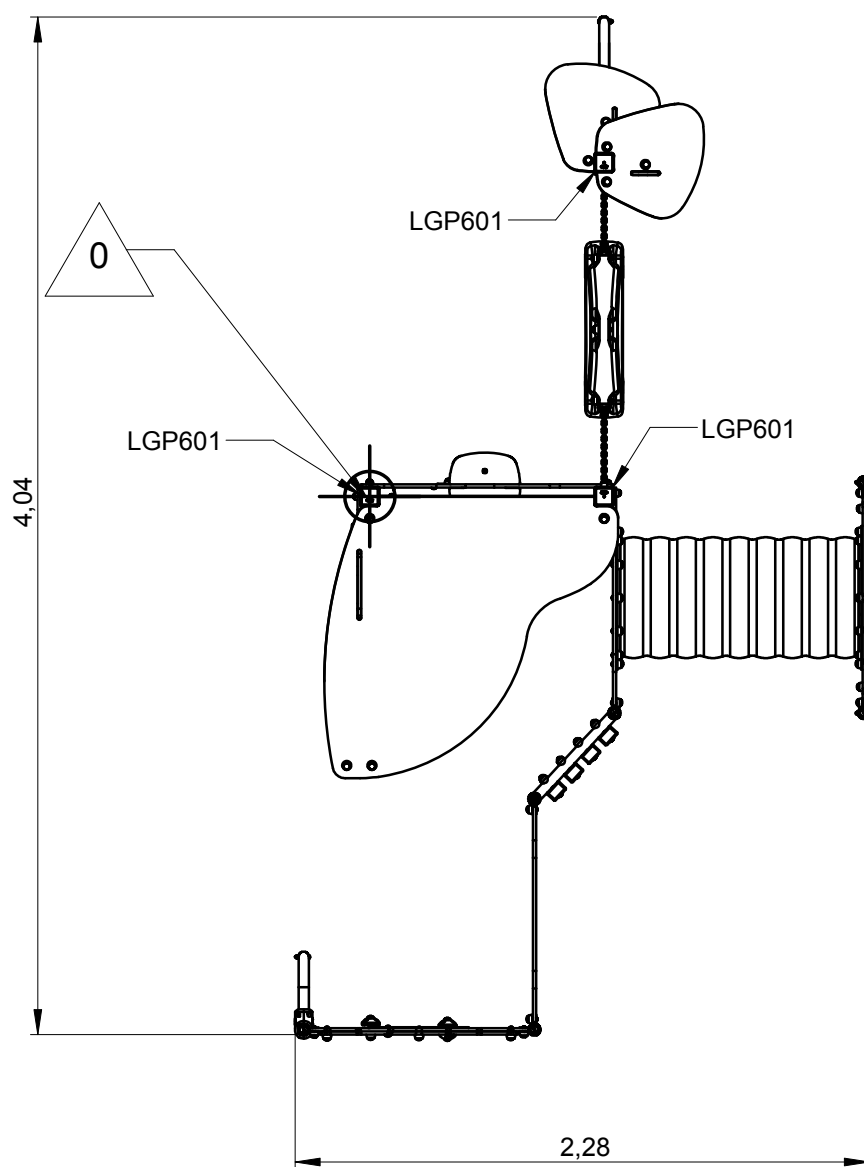
— Dalle béton
 Concrete pad
 Solera de hormigon
 Beton Bodenplatte
 Betonnen bodemplaat

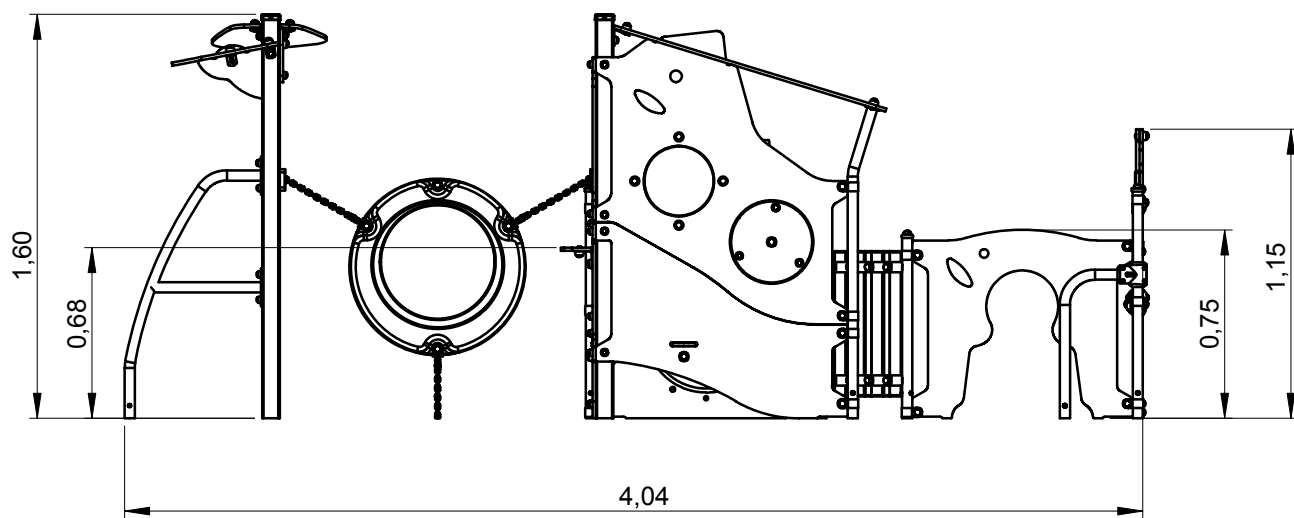
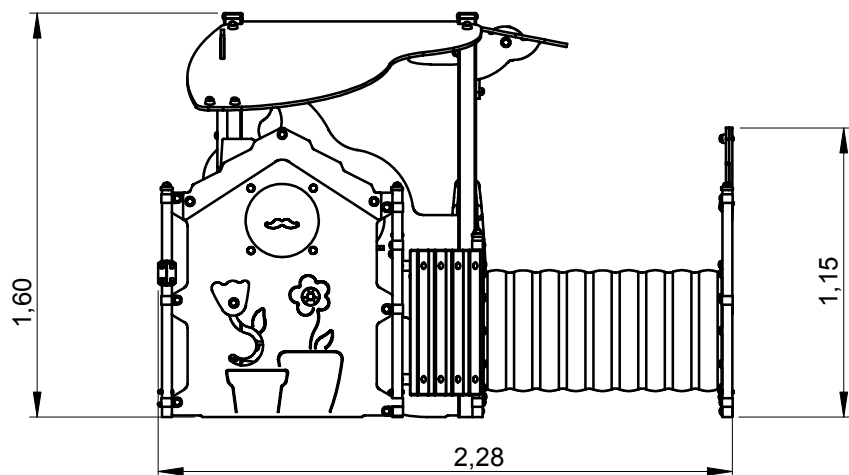
24 m
 32 m²



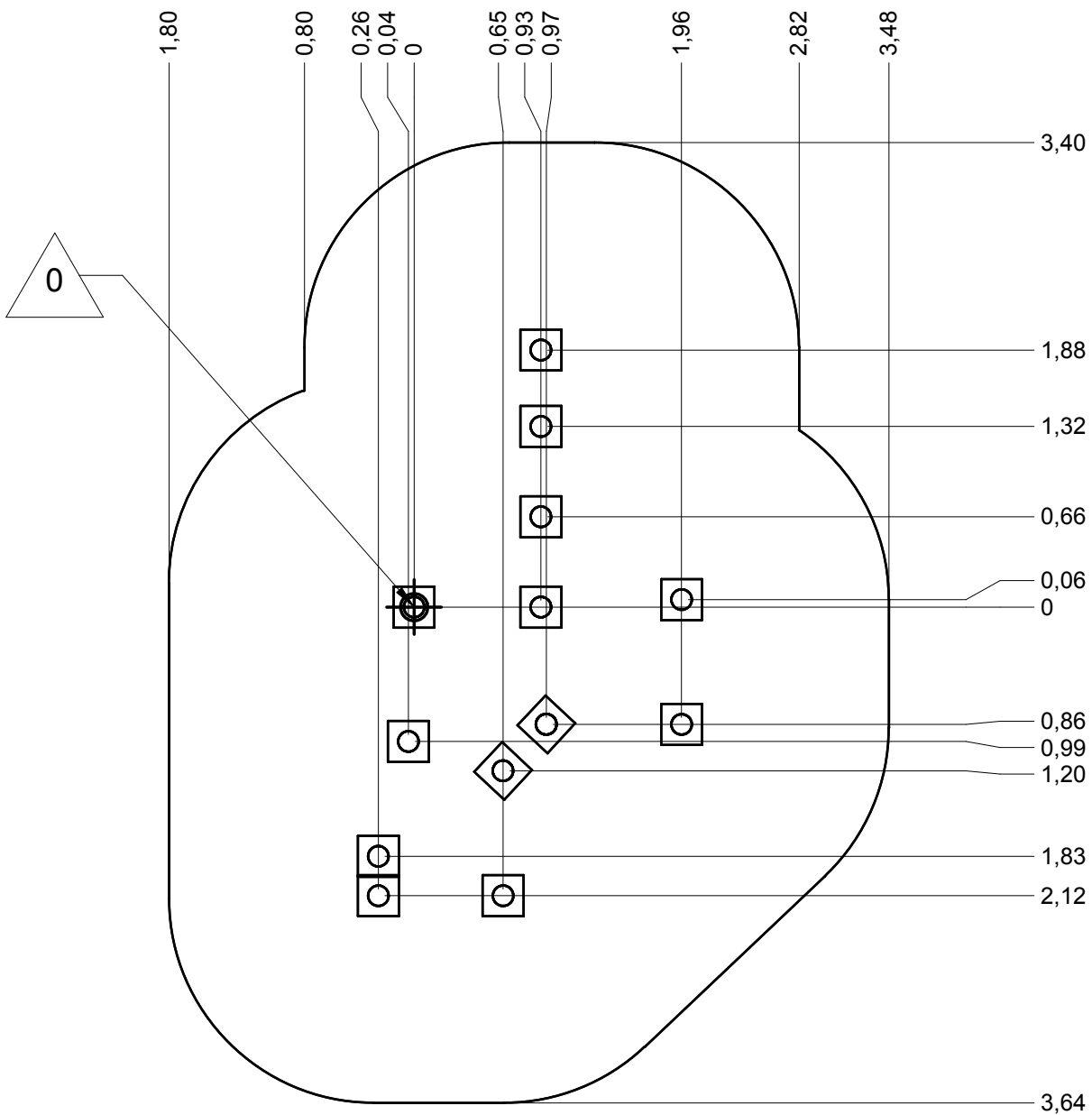
— Sol fluent
Loos partucule material 25.5 m
Arenero
Loses Bodenmaterial 38 m²
Los bodemateriaal




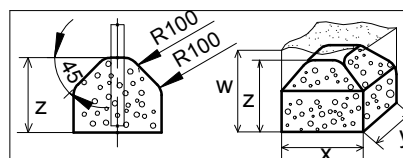


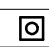




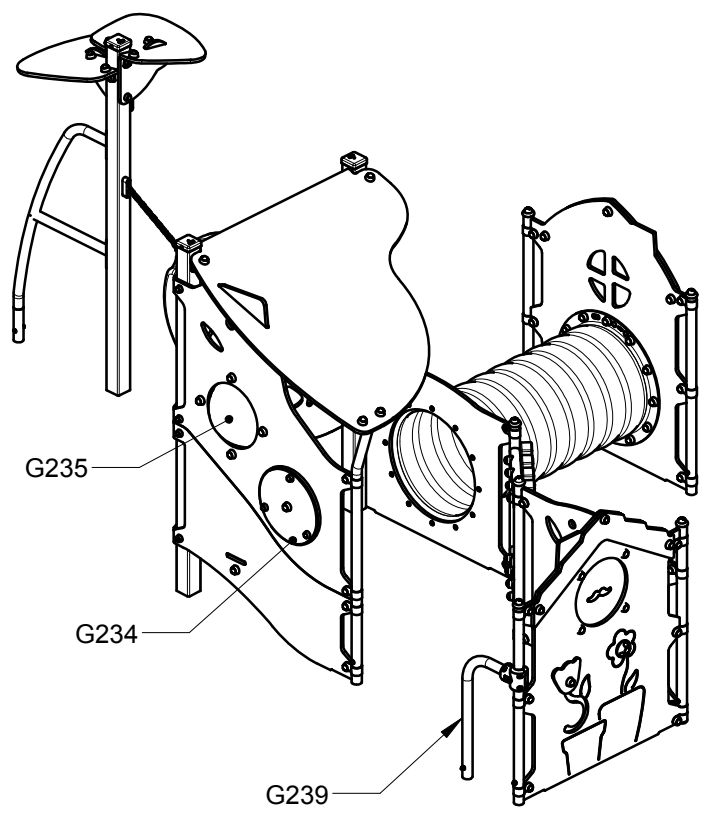
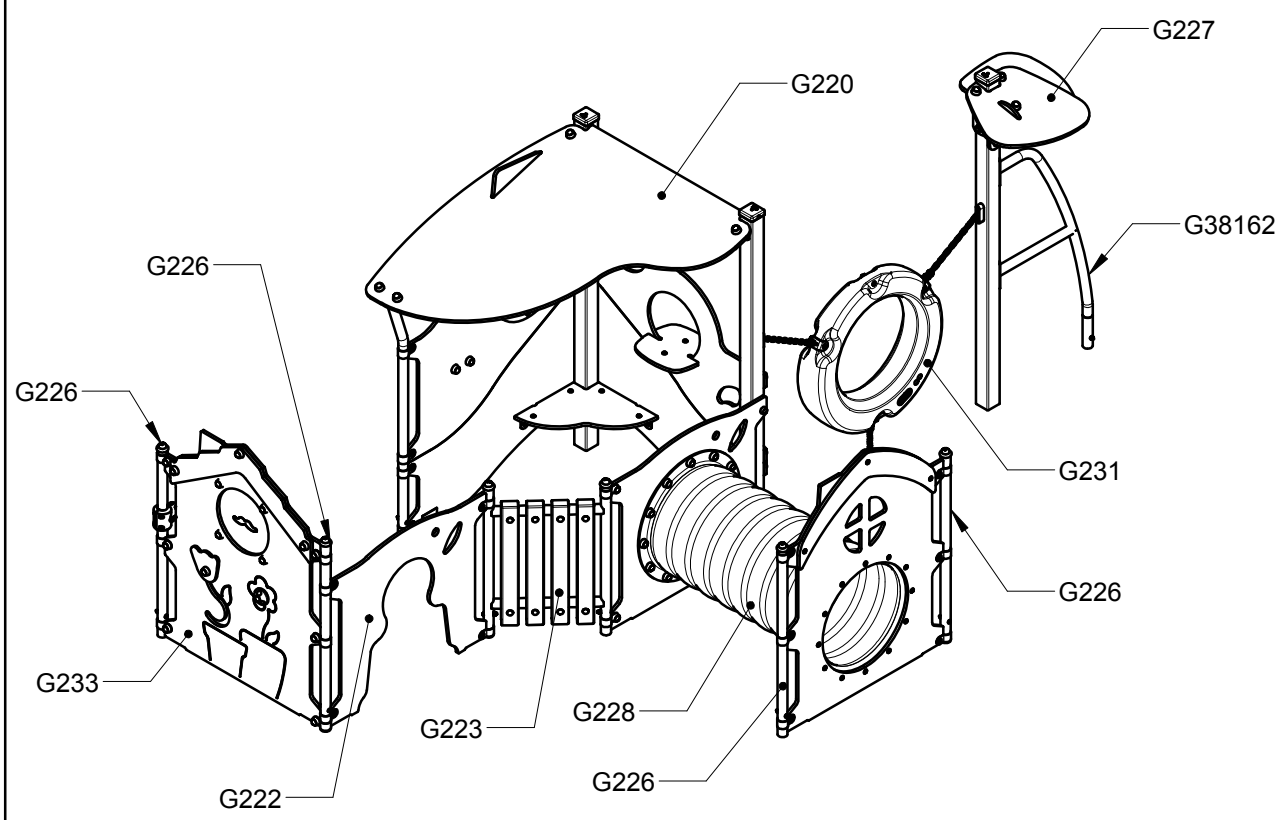
Implantation
 Footing plan
 Implantación
 Fundamentplan
 Funderingstekening



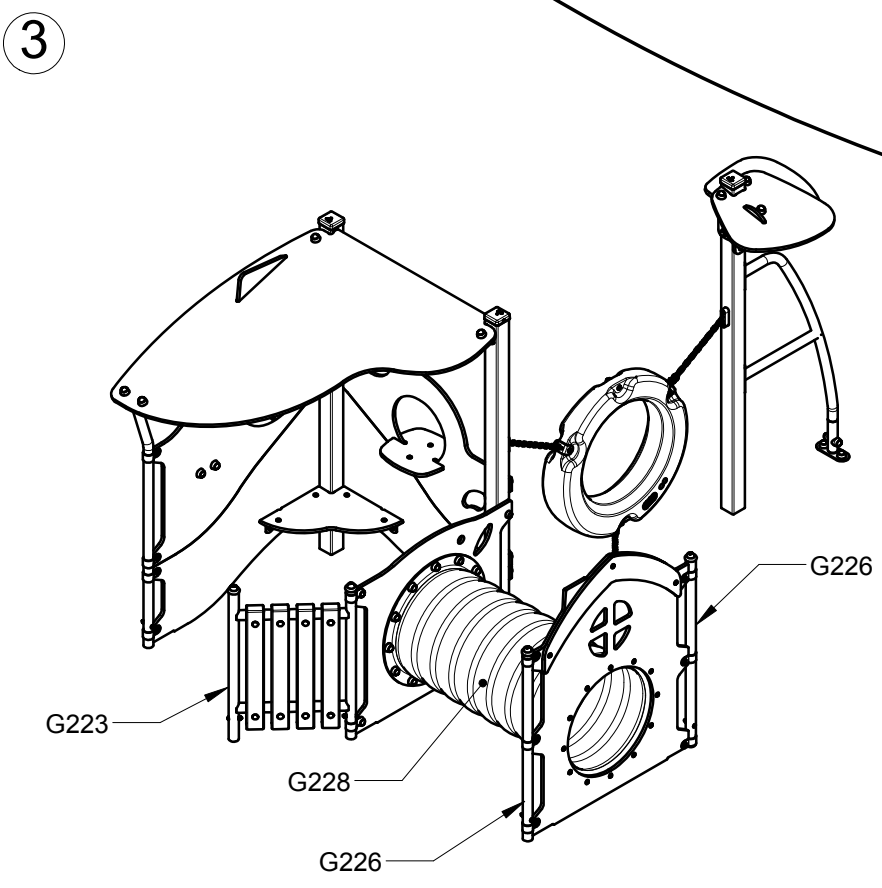
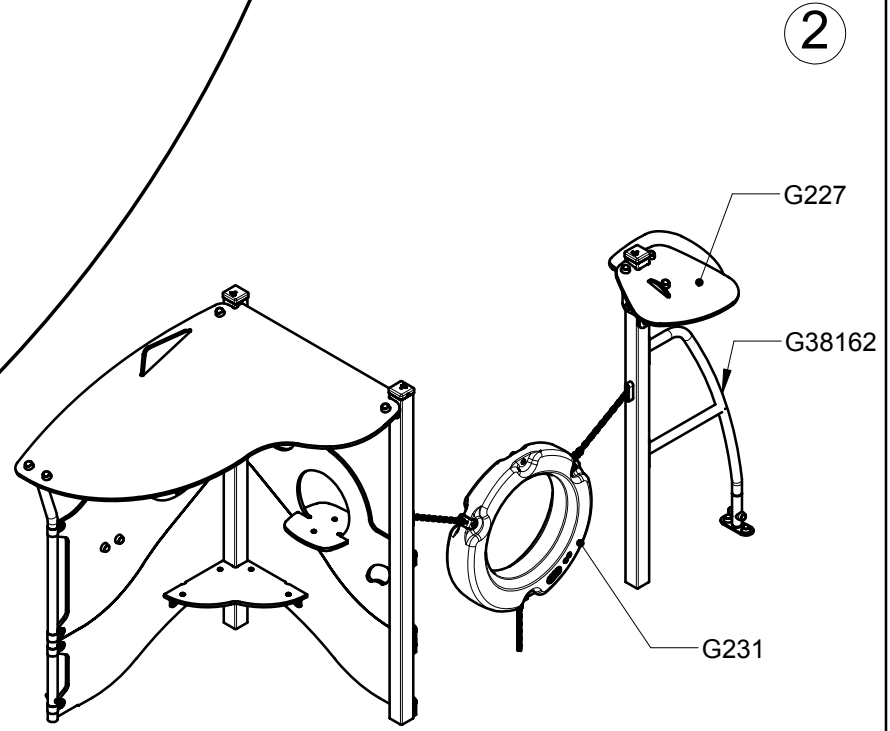
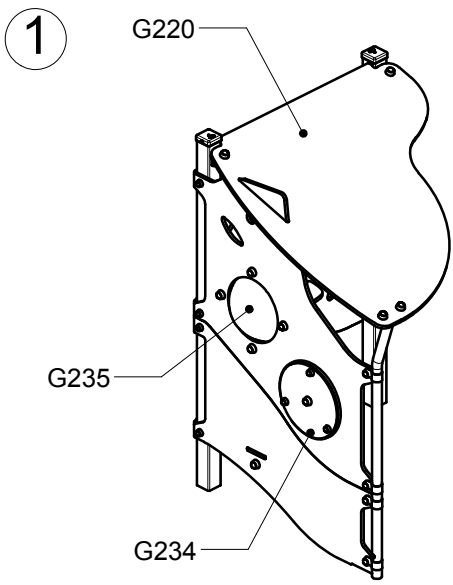
 x2
 6H
 0.4 m³



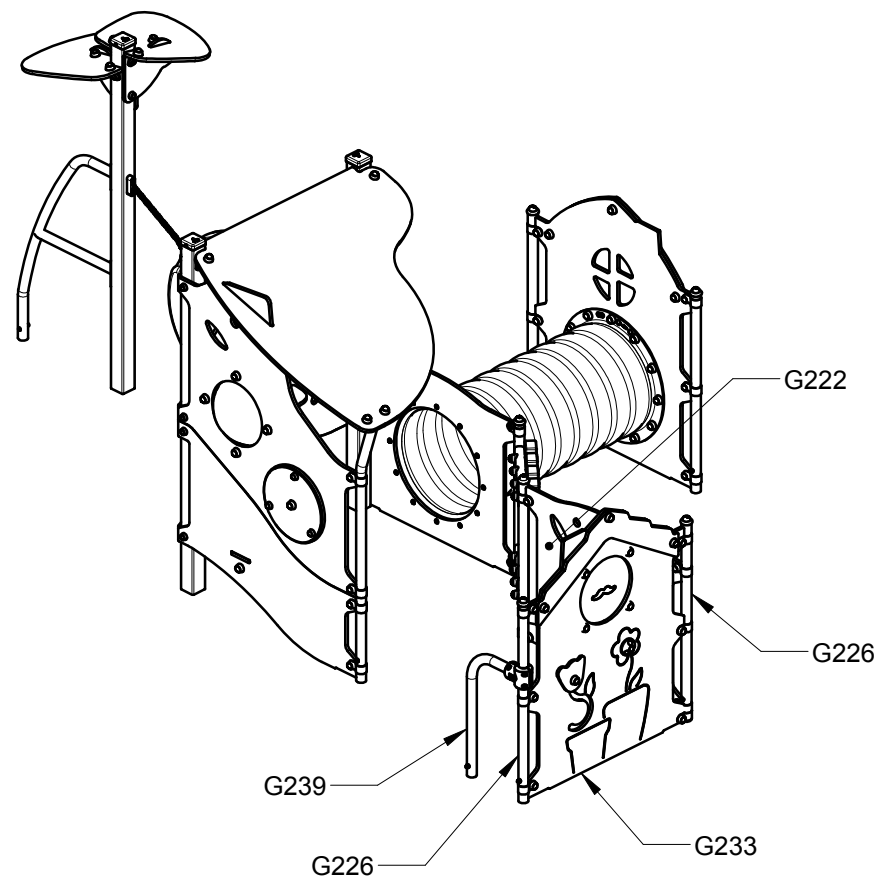
	x	y	z	w
	0.3	0.3	0.3	0.6
	0.4	0.4	0.3	0.6
	0.6	0.3	0.3	0.6

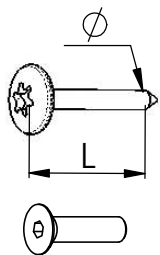


Réf	Qté
G220	1
G222	1
G223	1
G226	4
G227	1
G228	1
G231	1
G233	1
G234	1
G235	1
G239	1
G38162	1



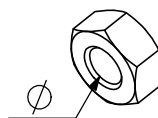
4





VBT 6 x 30
 \varnothing L (mm)

VFHC



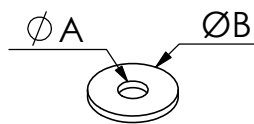
VEC M10
 \varnothing



VEF



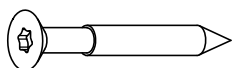
VEB



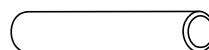
VR6x18
 $\varnothing A$ $\varnothing B$

1000 - 1800 RPM
 Vitesse de rotation
 Rotation speed

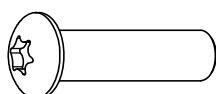
< 14 N.m
 Couple de rupture
 Breakage torque



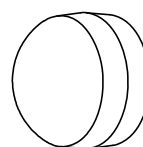
VWT



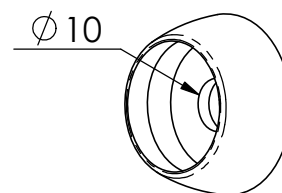
VGC



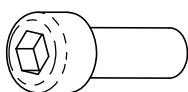
VCBHC



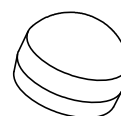
M10 440N



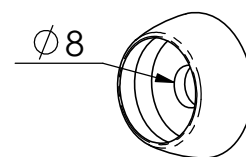
M10 310 N



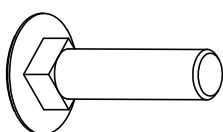
VBTR



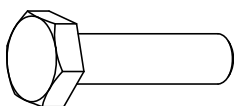
M8440N



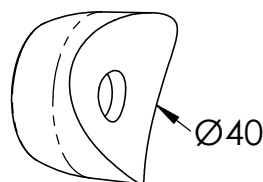
M8310N



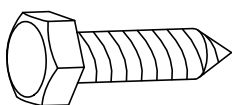
VTRCC



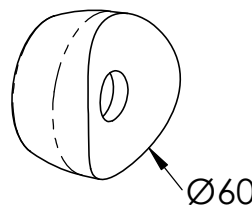
VTH



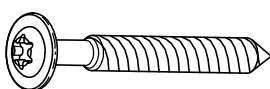
MI2503



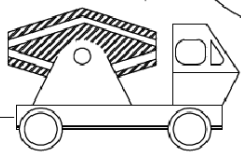
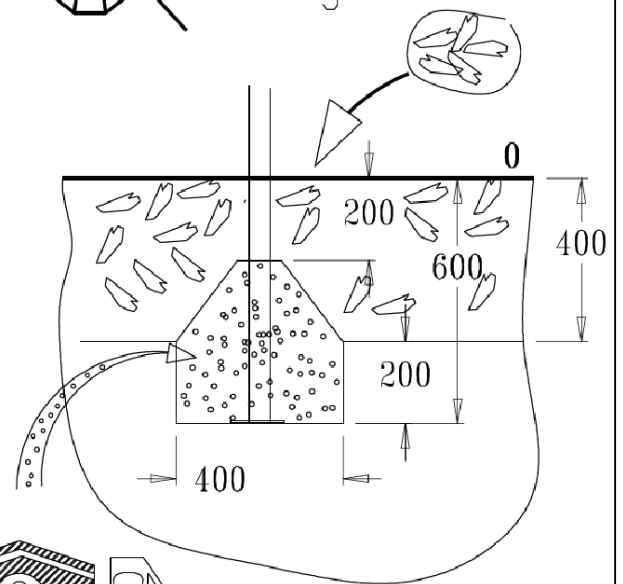
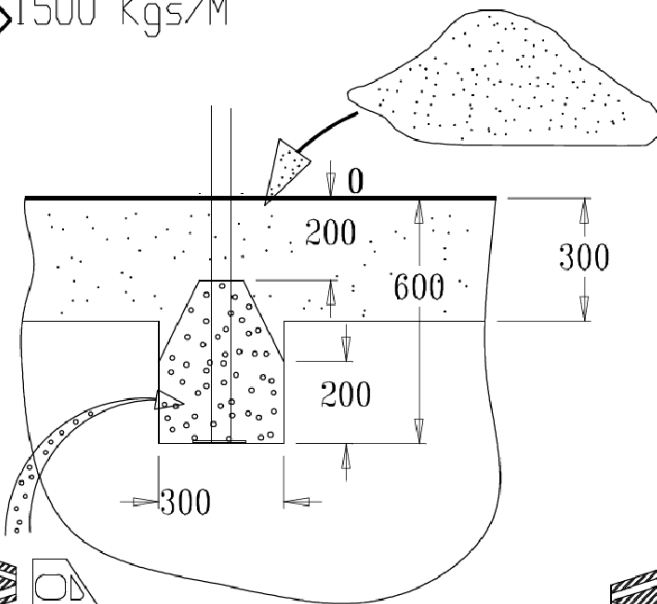
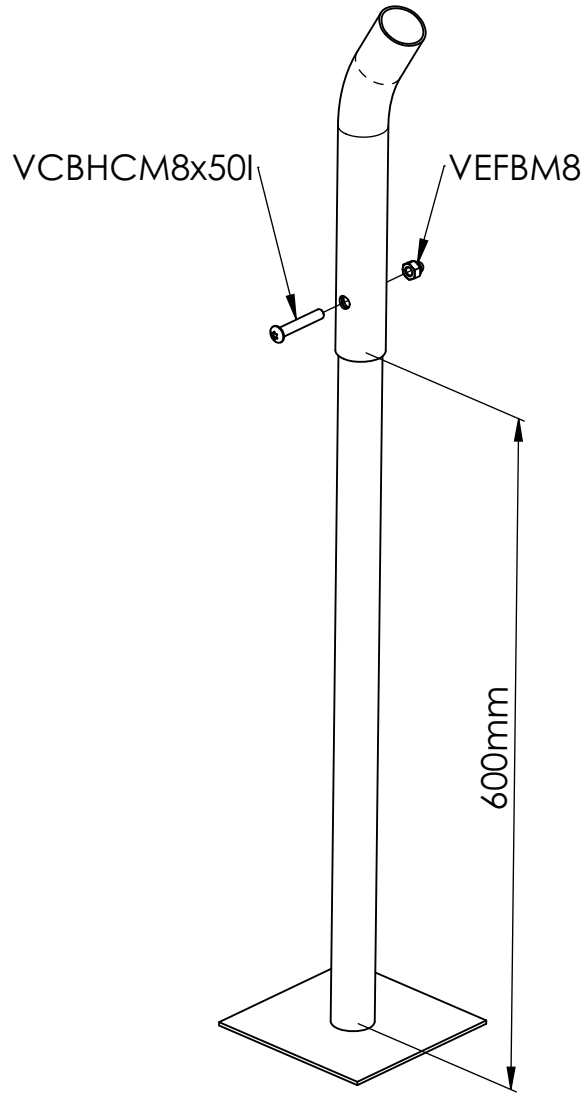
VTF



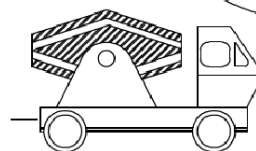
MI2701



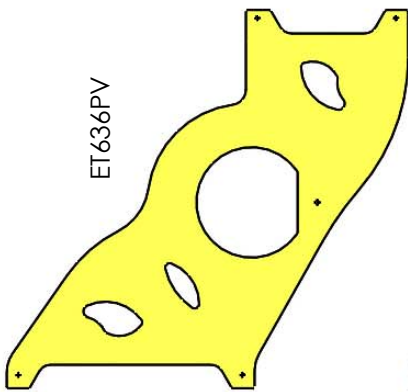
VBT



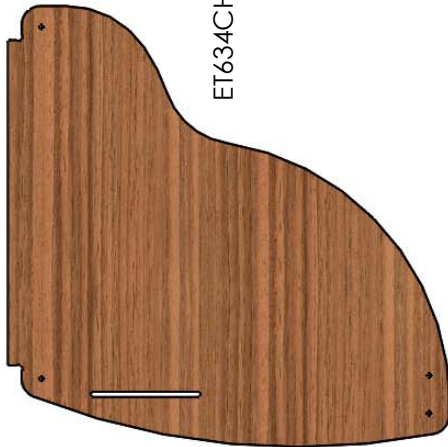
50 Kgs



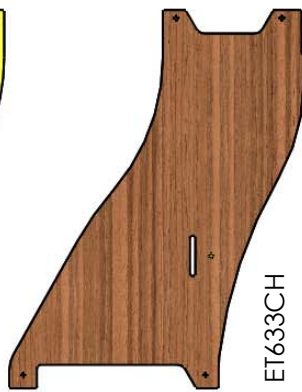
90 Kgs



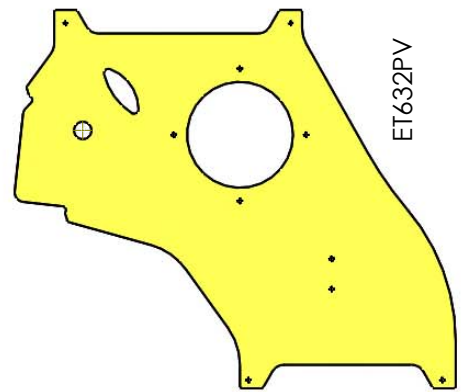
ET636PV



ET634CH



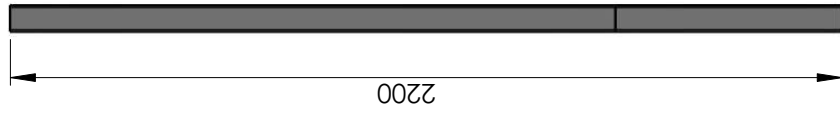
ET633CH



ET632PV



LI600



LGP601



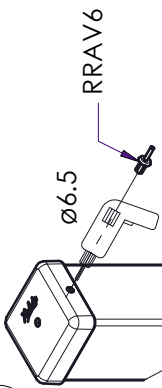
LG4502



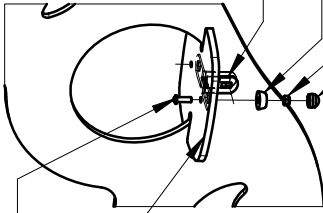
ET635CH

Réf	Qté
ET632PV	1
ET633CH	2
ET634CH	1
ET635CH	1
ET636PV	1
ET637PV	1
LG4502	1
LGP601	2
LI600	1
LI4505	4
M68x68	2
M8310N	16
M8440N	16
M10310N	17
M10440N	17
P13	6
P67,5	2
RRAV6	2
VCBHC8M8x50I	1
VCBHC10x30I	17
VEFBM8	1
VEFM10	17
VR6x18	2
VTH6x30A	16

2



M68x68



ET635

M10310N 3X

VEFM10 3X

M10440N 3X

M68x68

LGP601

ET636

6X M8310N

6X VTH6x30A

6X M8440N

M8310N

VR6x18

VTH6x30A

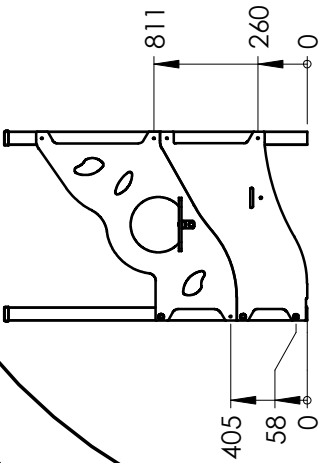
M8440N

M8440N

VTH6x30A

VR6x18

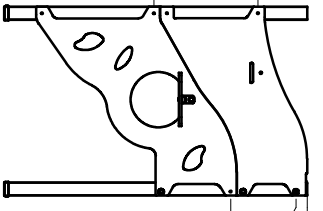
M8310N



405

58

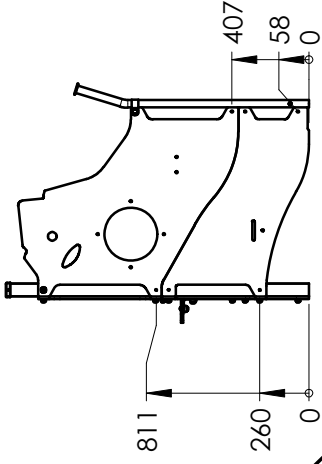
811



260

811

3



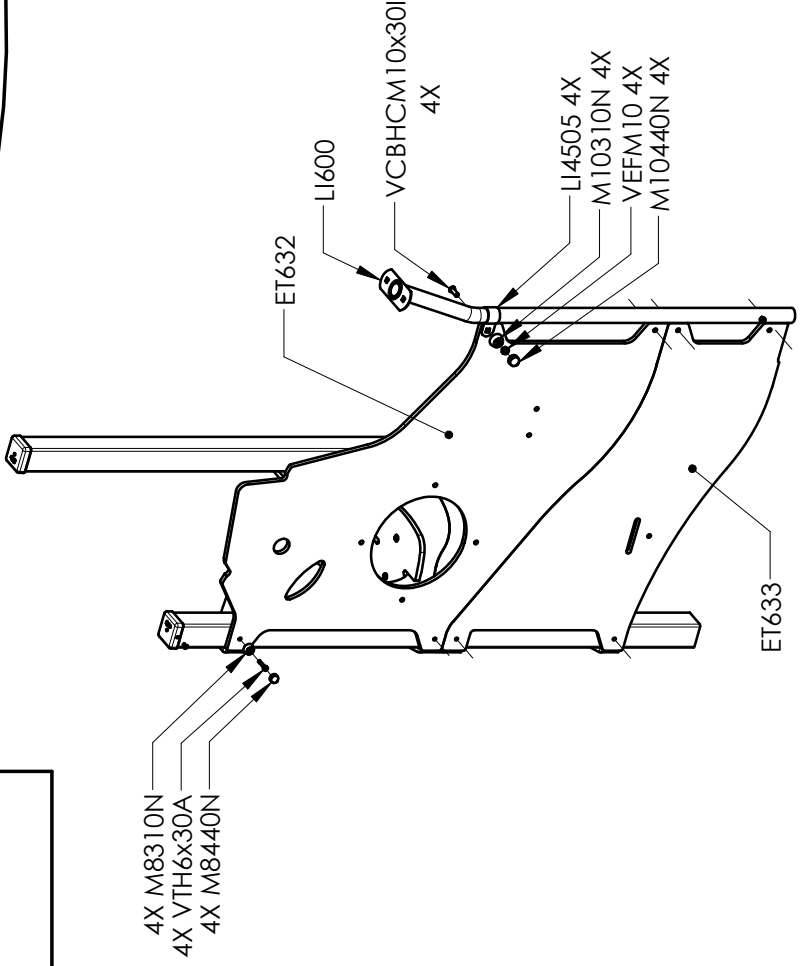
811

260

407

58

0



4X M8310N

4X VTH6x30A

4X M8440N

ET632

LI600

VCBHCM10x30I
4X

LI4505 4X

M10310N 4X

VEFM10 4X

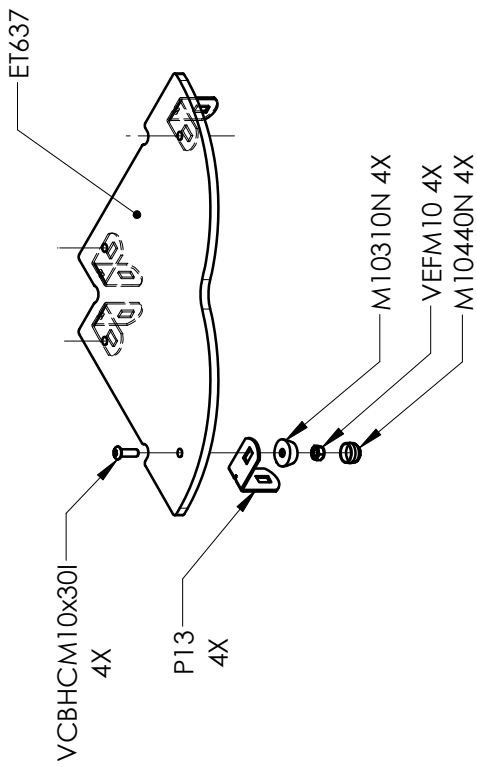
M10440N 4X

ET633

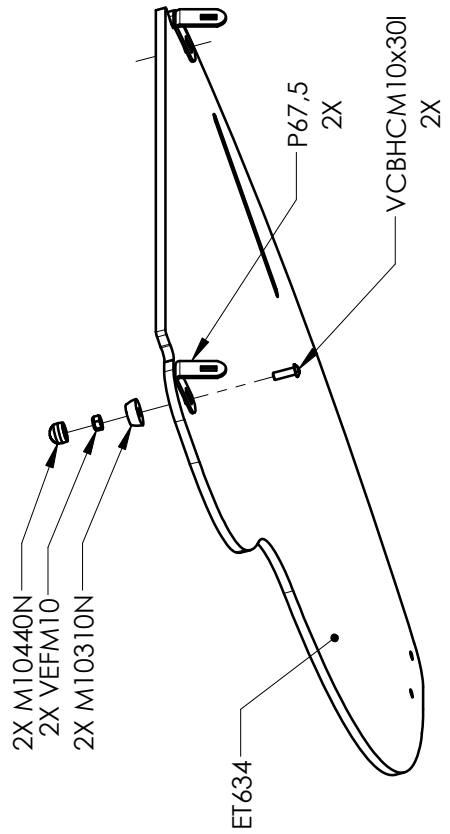
LGP601

M68x68

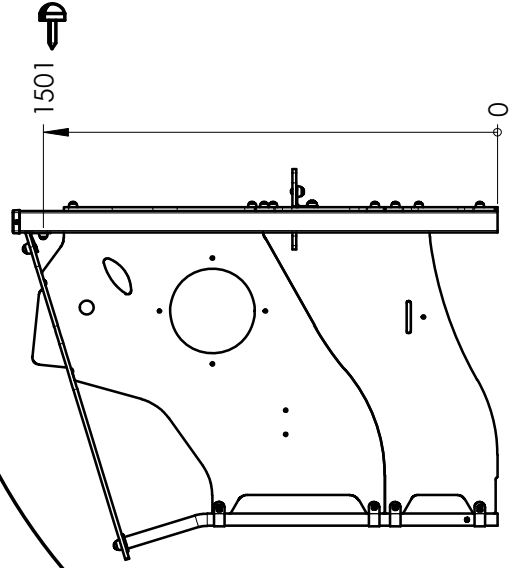
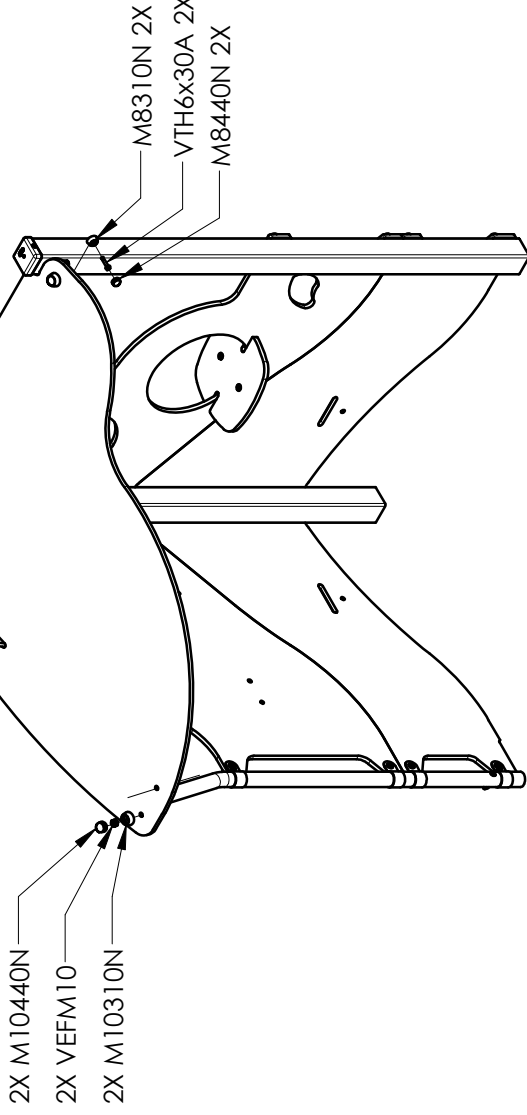
4



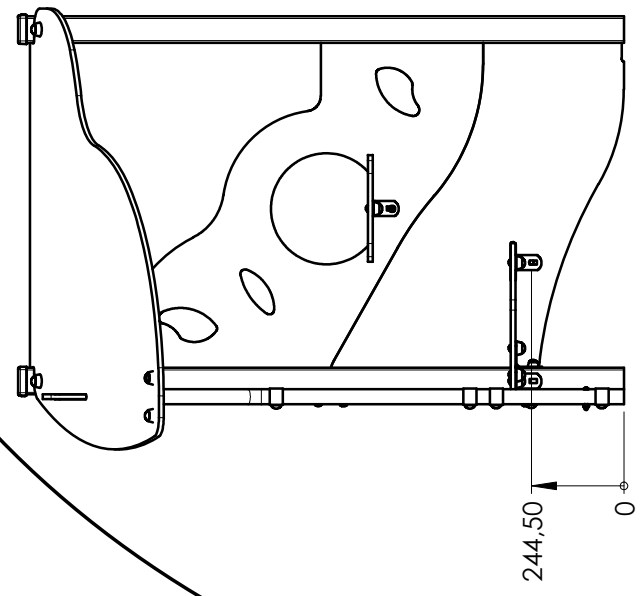
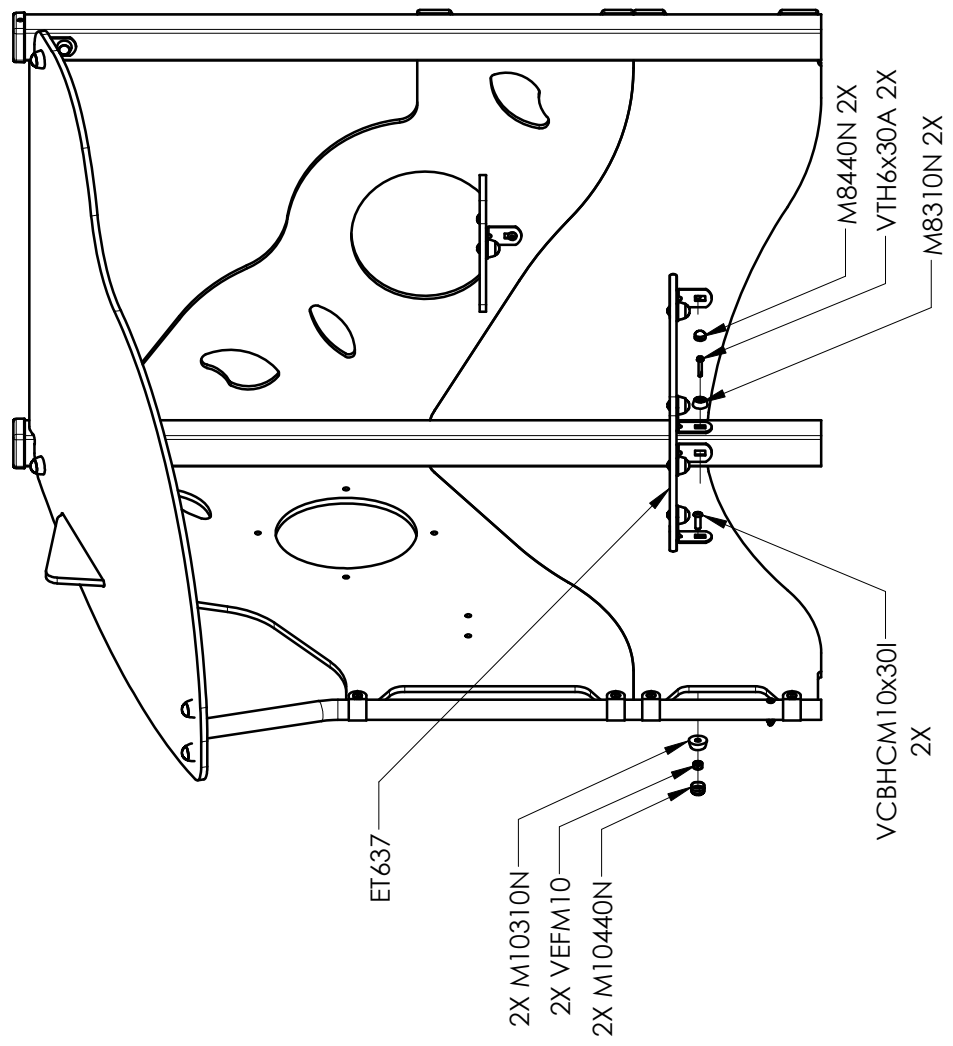
5

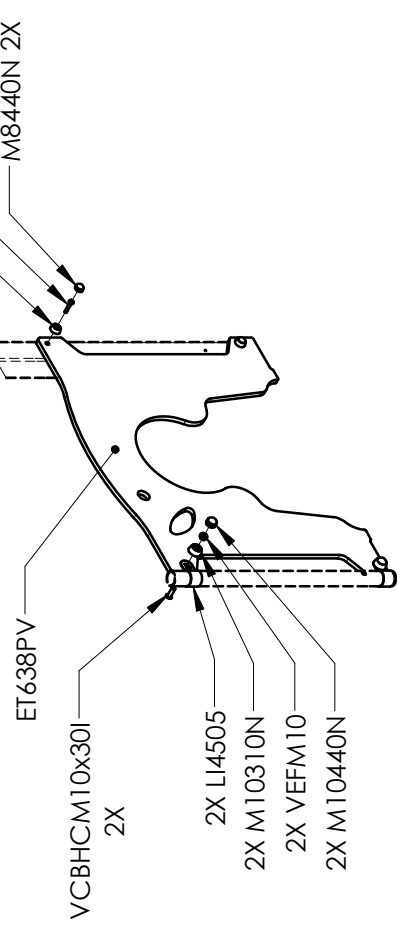
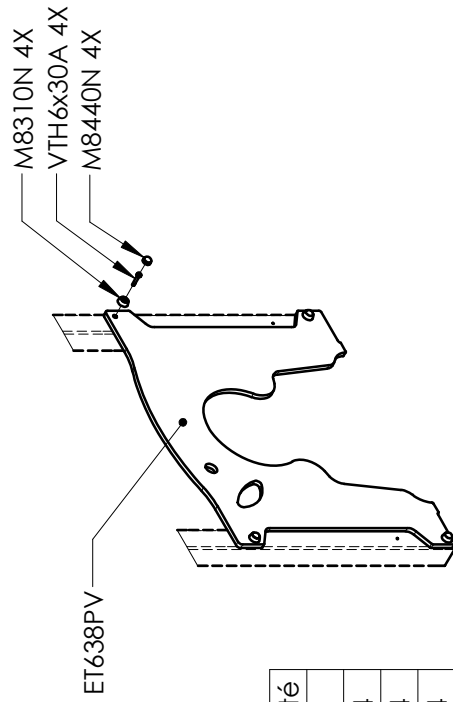
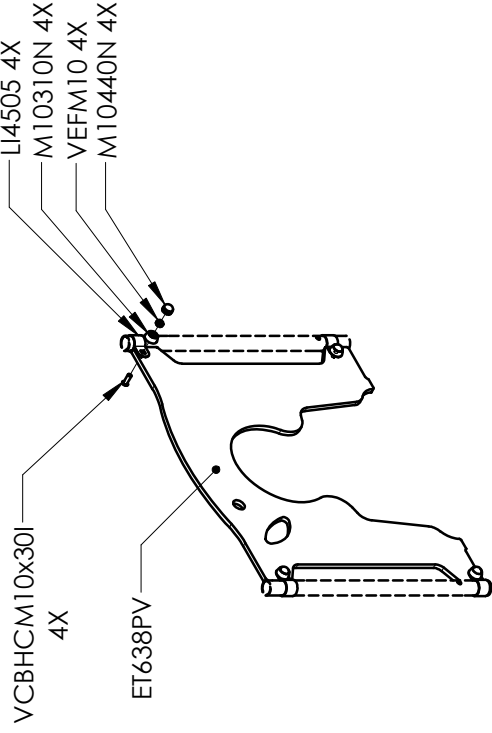
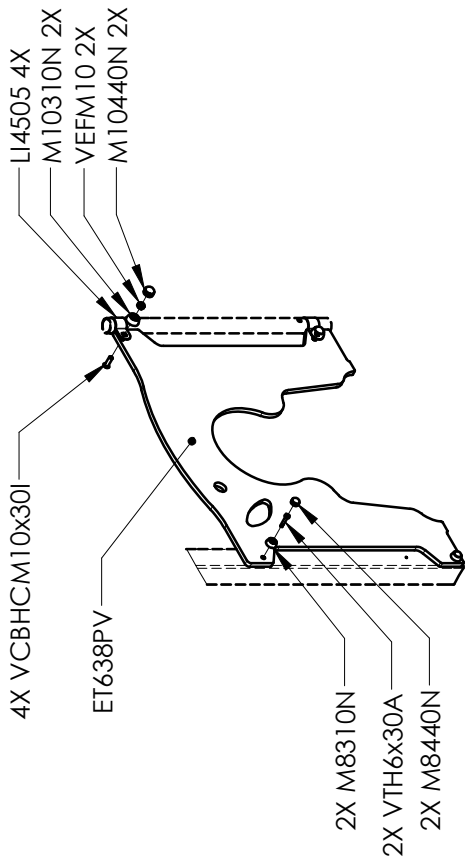


6

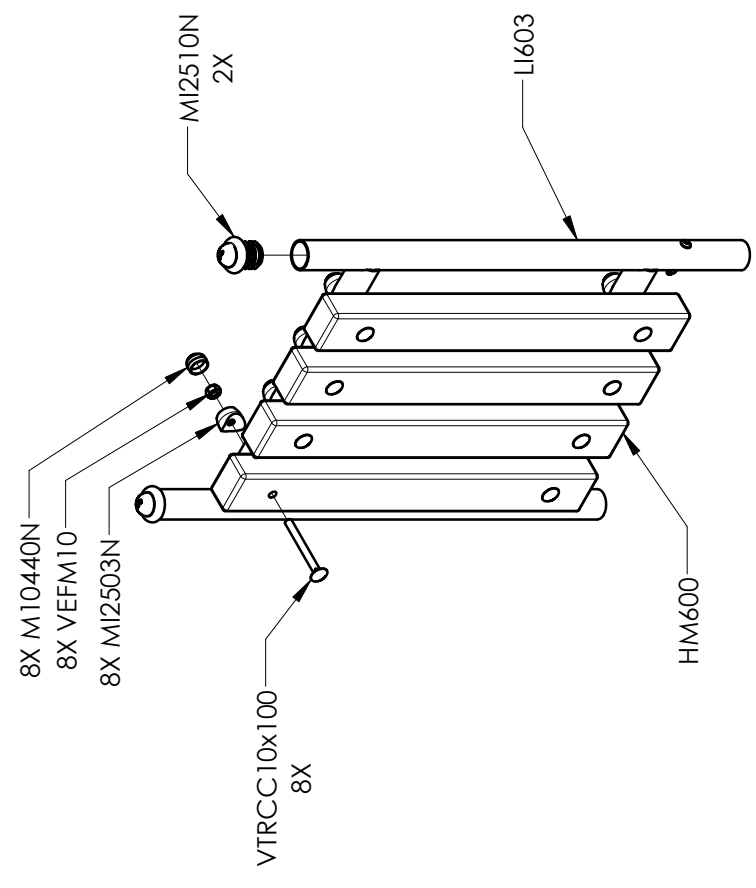
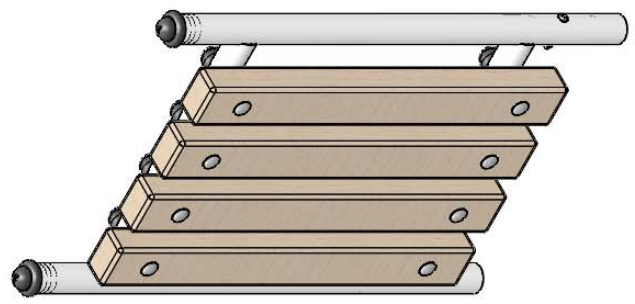
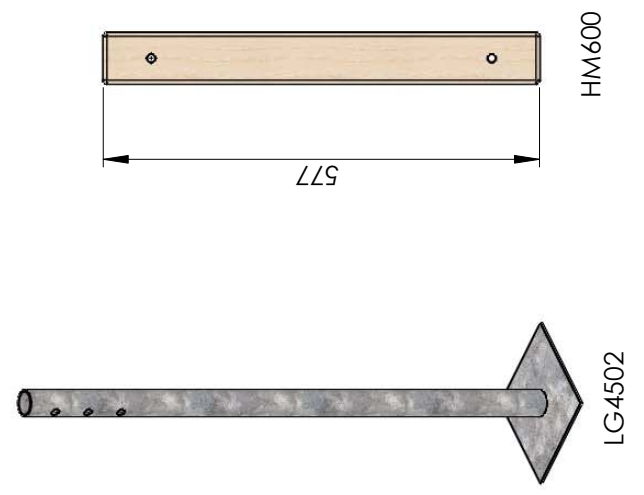
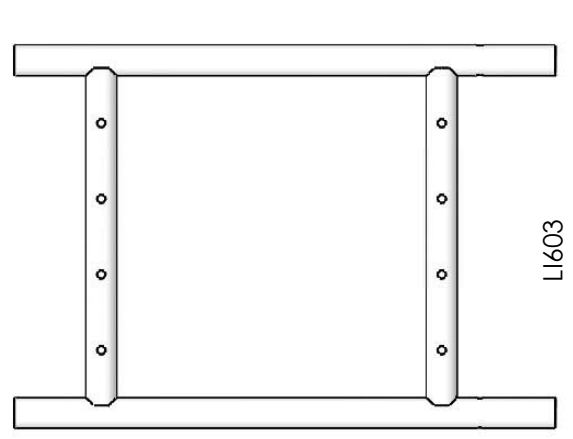


7



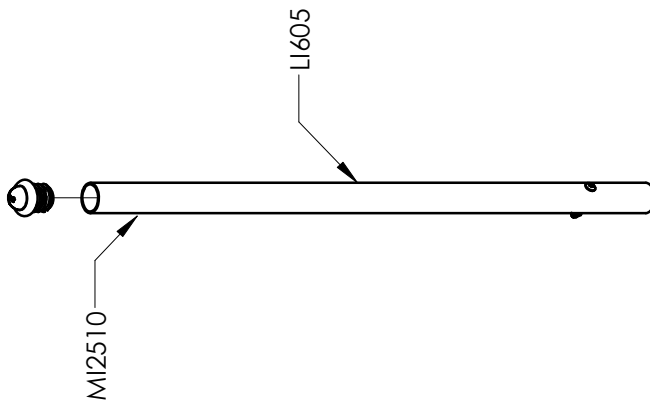


Réf	Qté
ET638PV	1
LI4505	4
M8310N	4
M8440N	4
M10310N	4
M10440N	4
VCBHCM10x30I	4
VEFM10	4
VTH6x30A	4



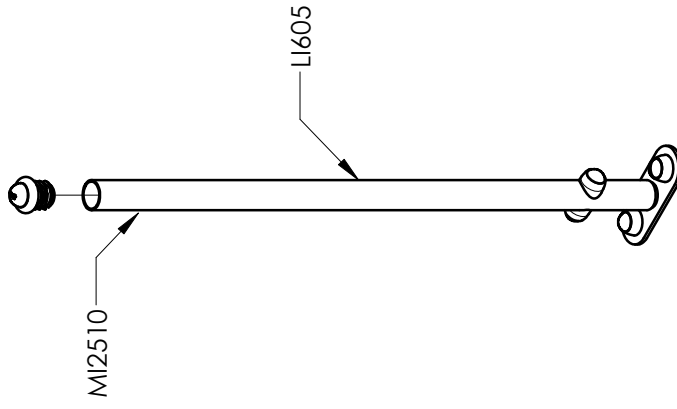
Réf	Qté
HM600	4
LG4502	2
LI603	1
M10440N	8
MI2503N	8
MI2510N	2
VCBHC8x50I	2
VEFBM8	2
VEFM10	8
VTRCC10x100	8

G226A

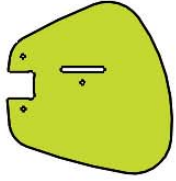
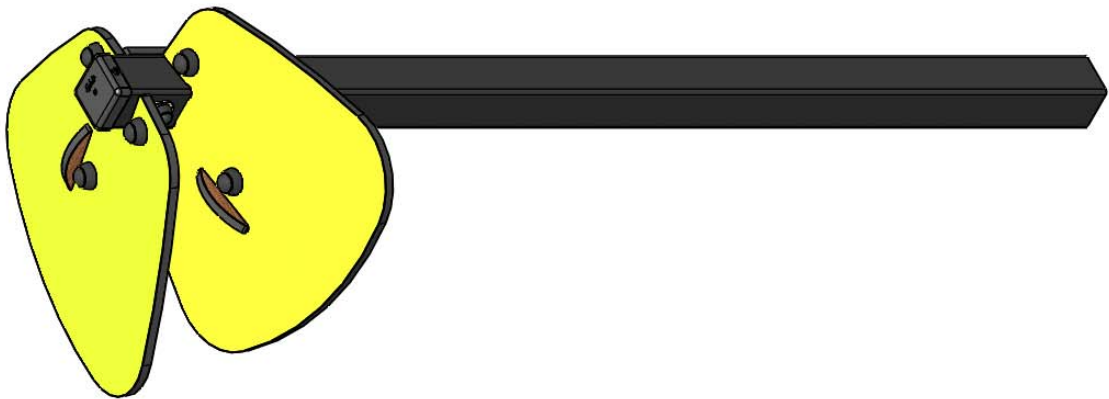


Réf	Qté
LG4502	1
LI605	1
MI2510N	1
VCBHC8x50I	1
VEFBM8	1

G226B



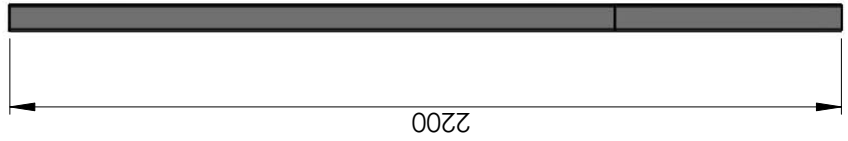
Réf	Qté
LG4503	1
LI605	1
M10310N	2
M10440N	4
MI2503N	2
MI2510N	1
RD14M10	2
VEFM10	1
VTH10x60	1



ET639PV



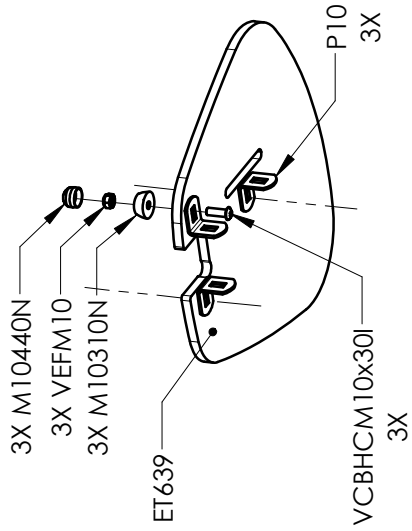
ET640CH



LGP601

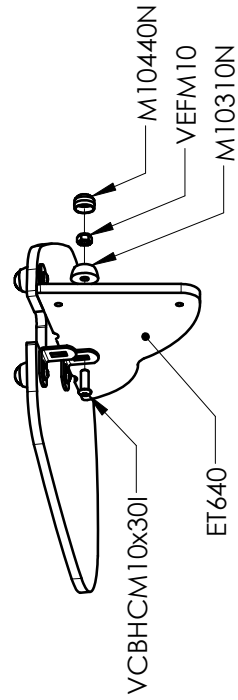
Réf	Qté
ET639PV	2
ET640CH	2
LGP601	1
M68x68	1
M8310N	6
M8440N	6
M10310N	8
M10440N	8
P10	6
RRAV6	1
VCBHC10x30I	8
VEFM10	8
VTH6x30A	6

1



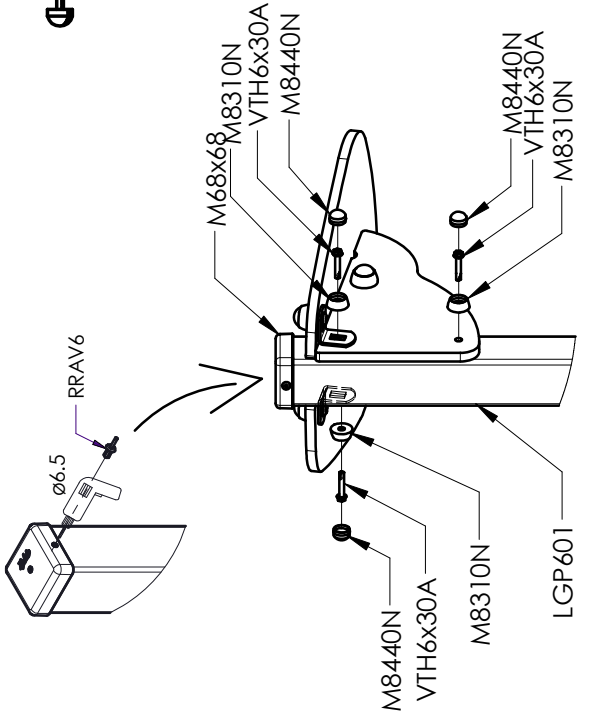
X2

2



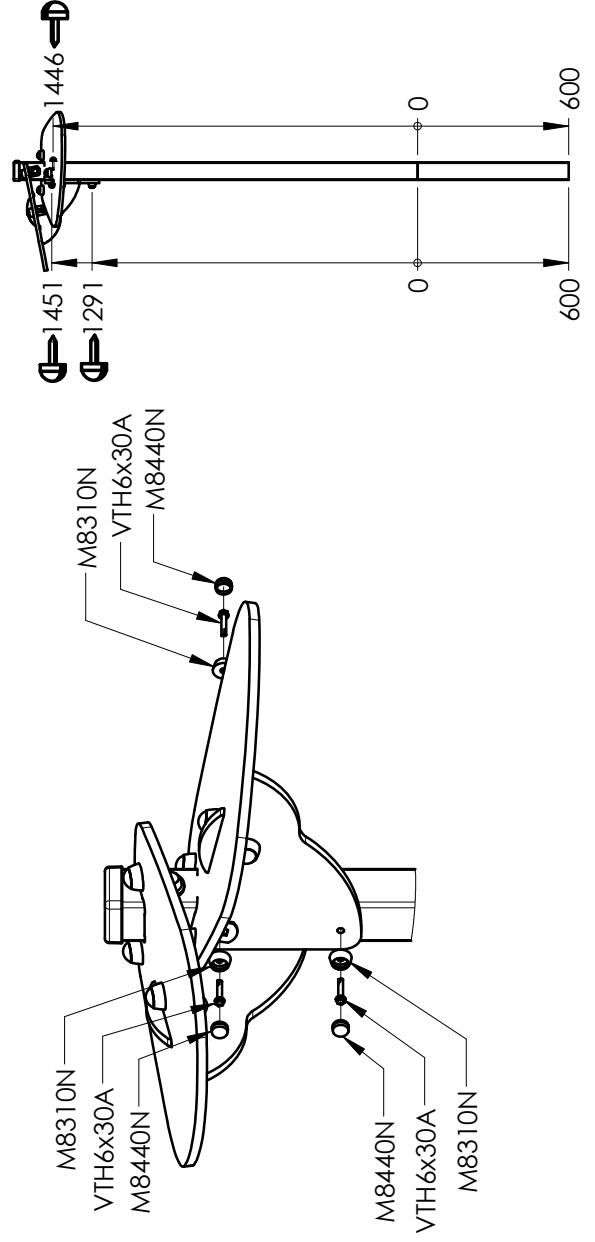
X2

3

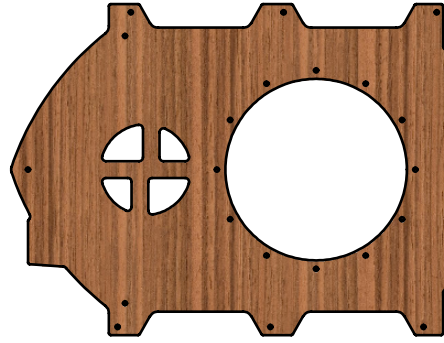
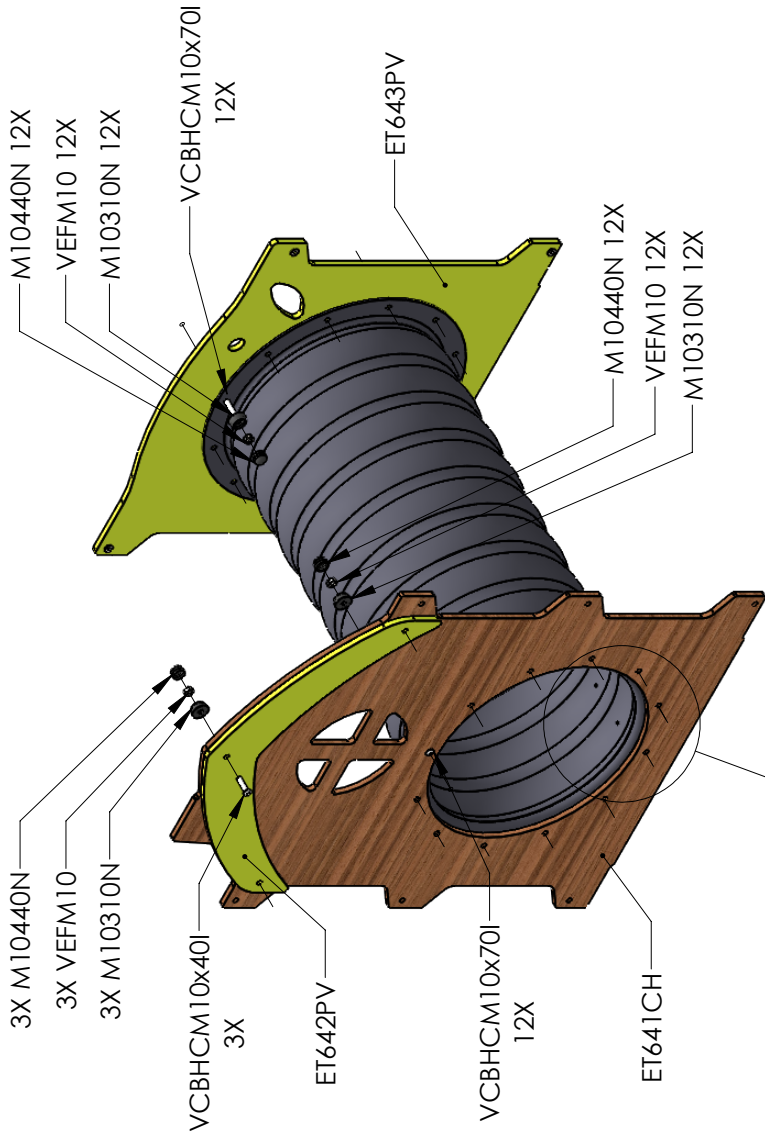


600

4



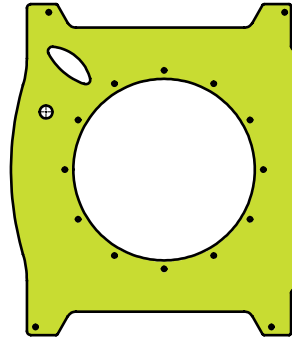
600



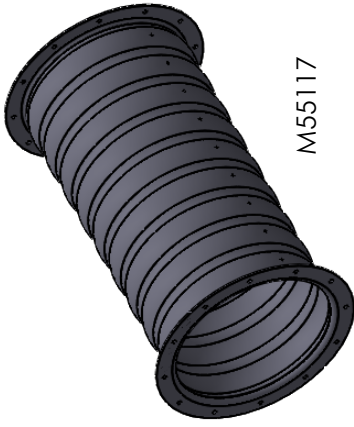
ET641CH



ET642PV

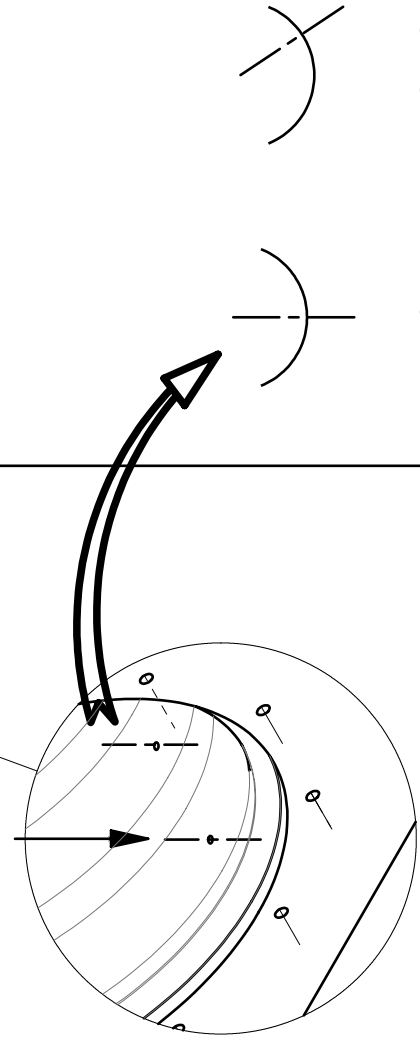


ET643PV



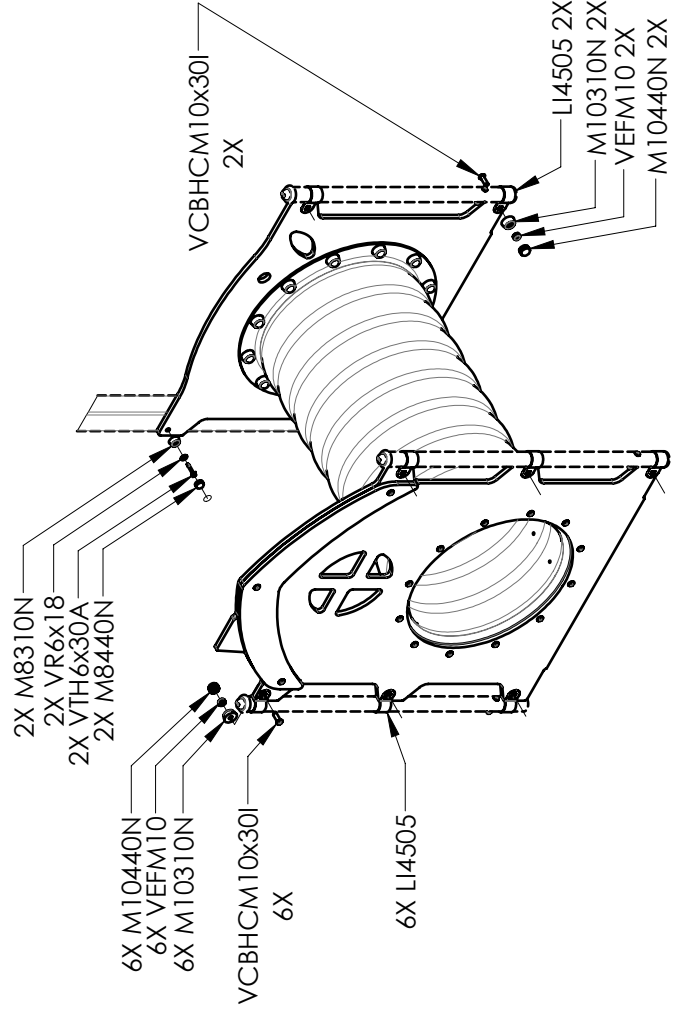
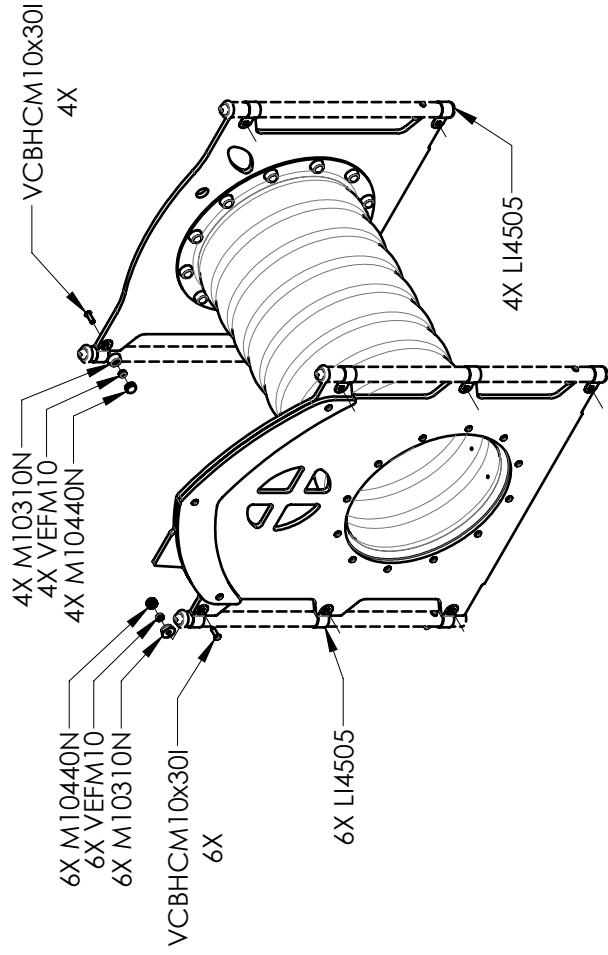
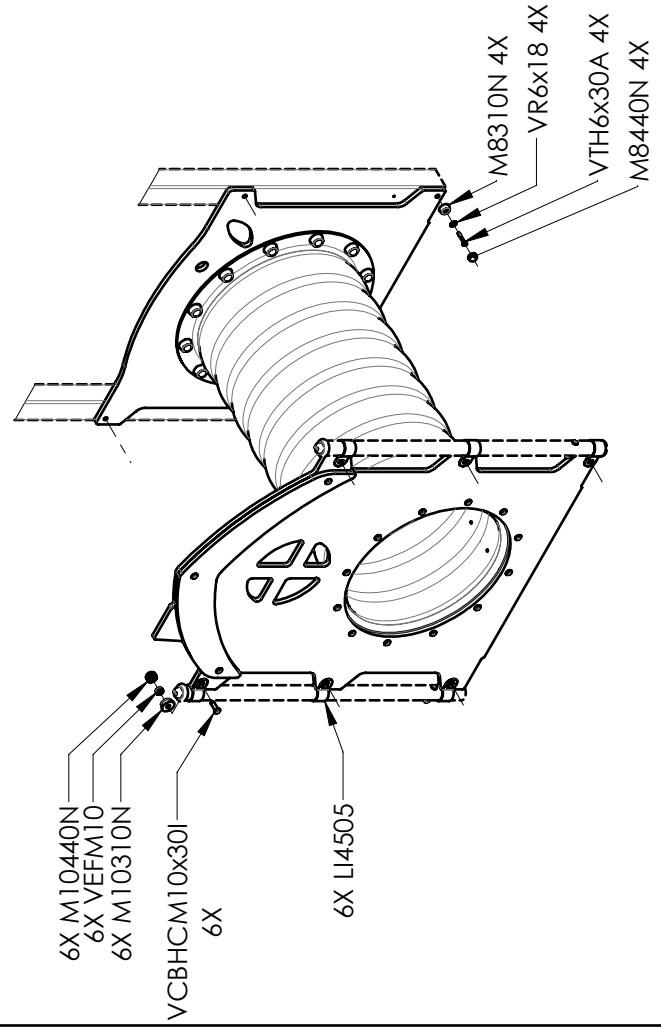
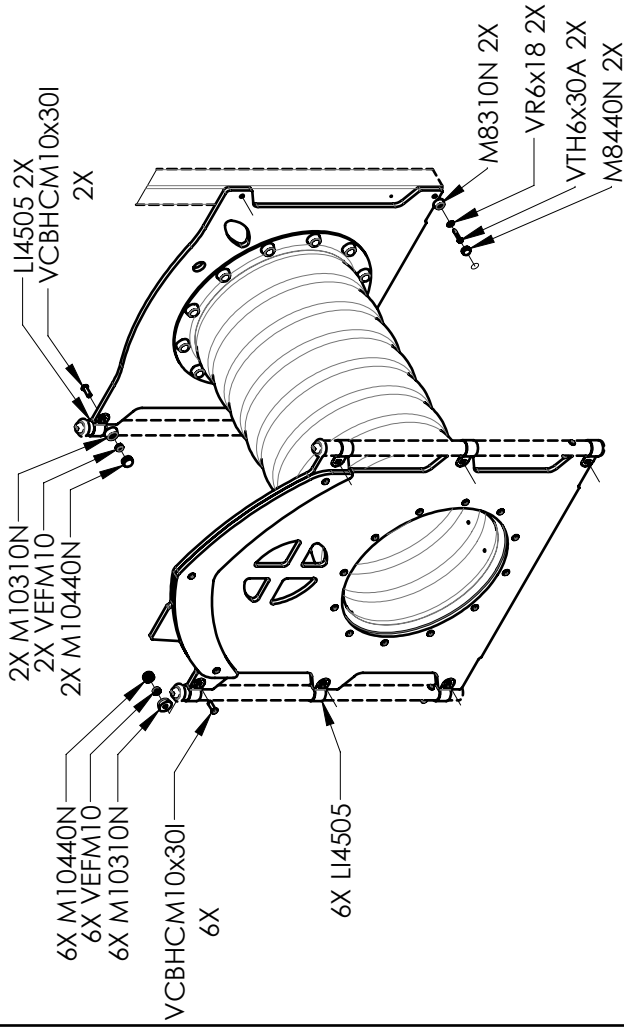
M55117

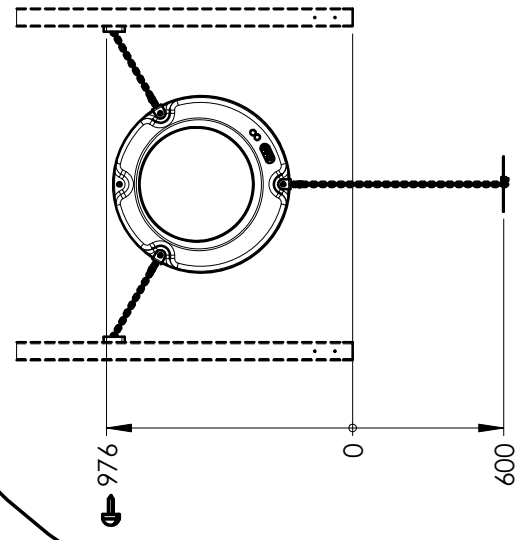
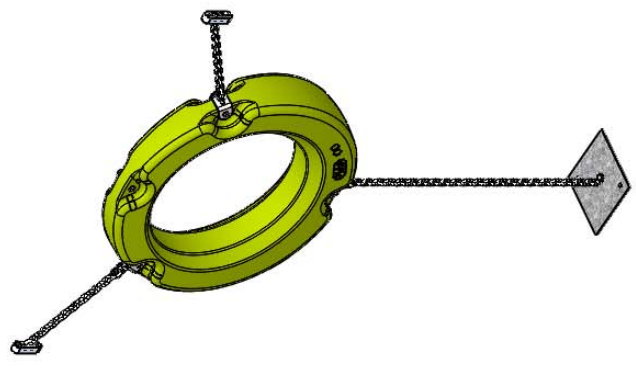
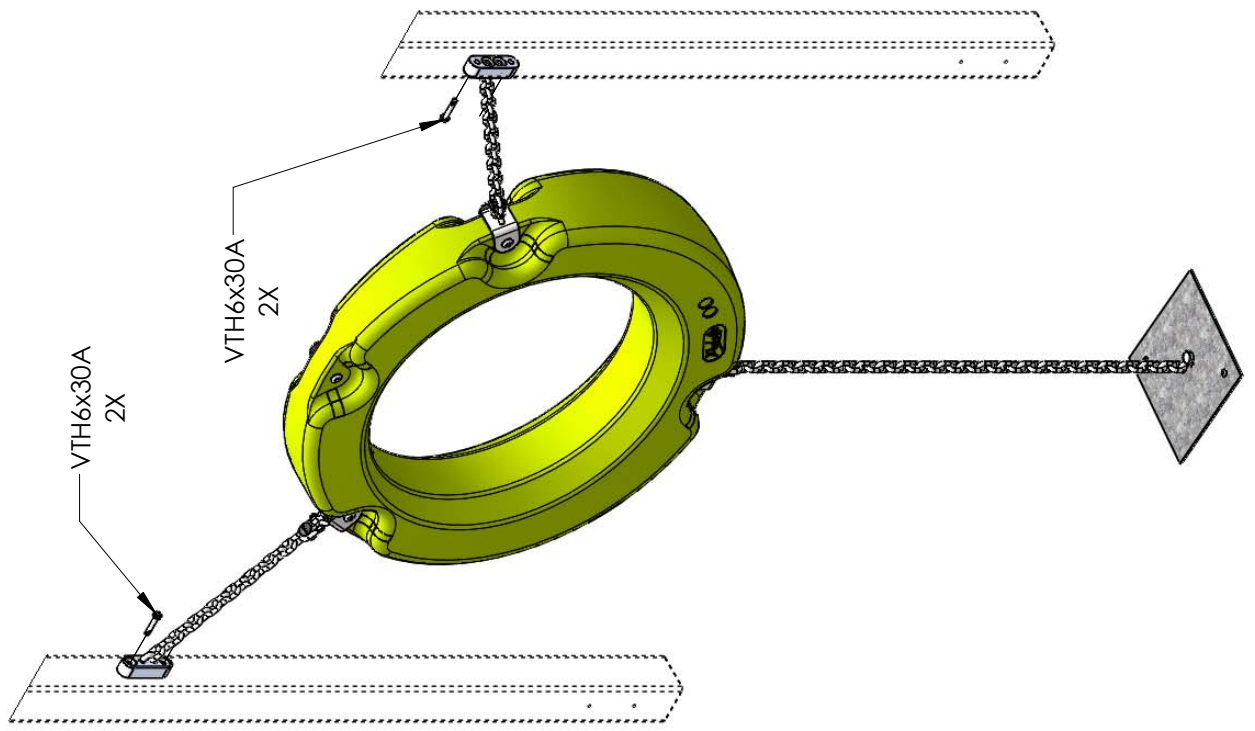
Réf	Qté
ET641CH	1
ET642PV	1
ET643PV	1
LI4505	10
M8310N	4
M8440N	4
M10310N	35
M10440N	35
M55117	1
VCBHCMI0x30I	8
VCBHCMI0x40I	27
VEFM10	35
VR6x18	4
VTH6x30A	4
VCBHCMI0x30I	2
M10310N	2
VEFM10	2
M10440N	2



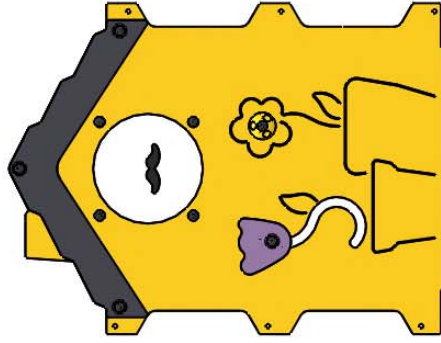
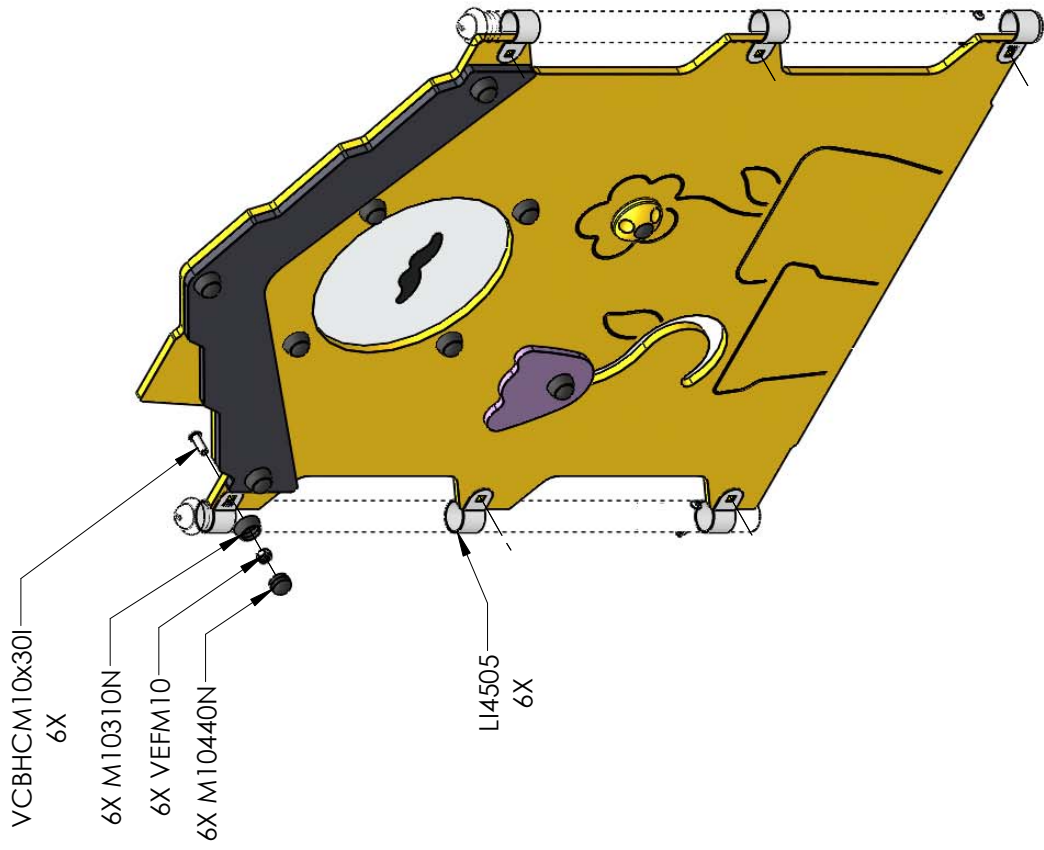
OK

NO OK



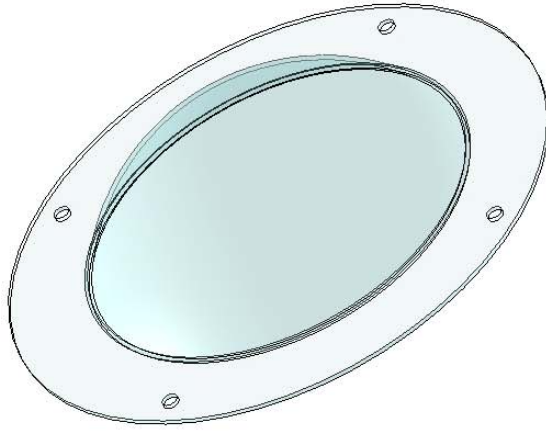
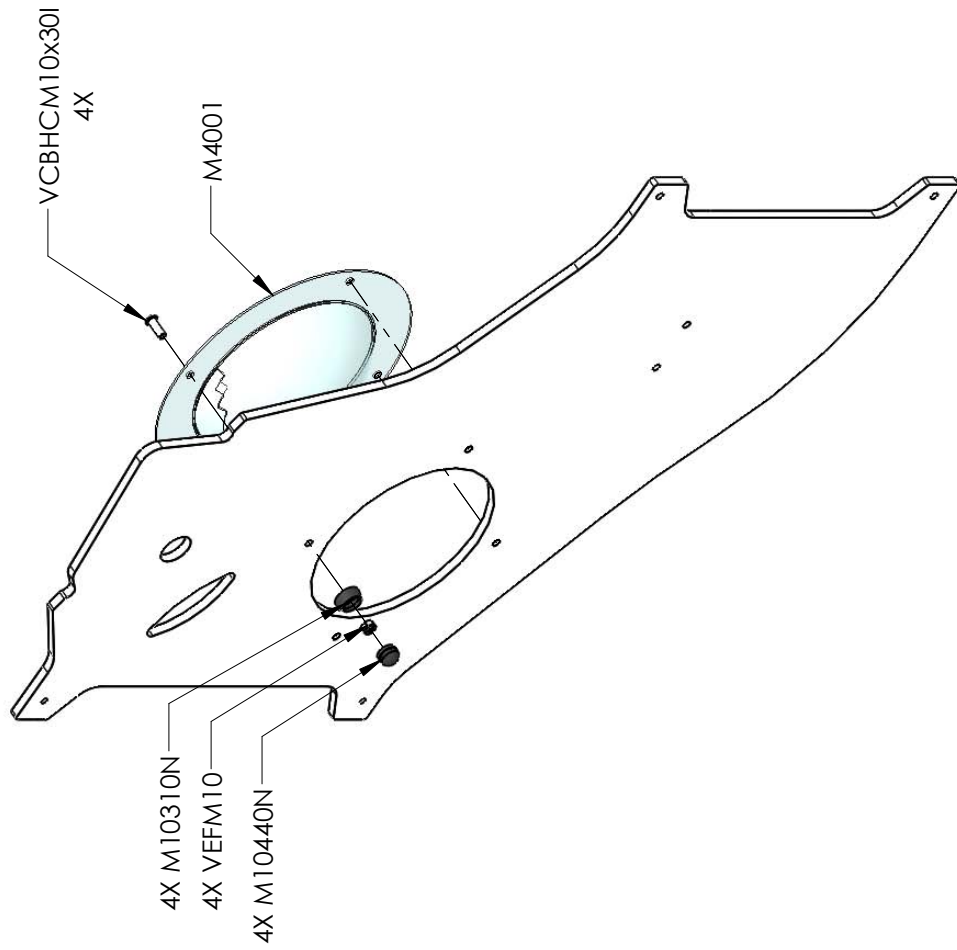


Réf	Qté
U201A	1
VTH6x30A	4



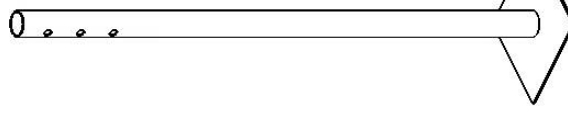
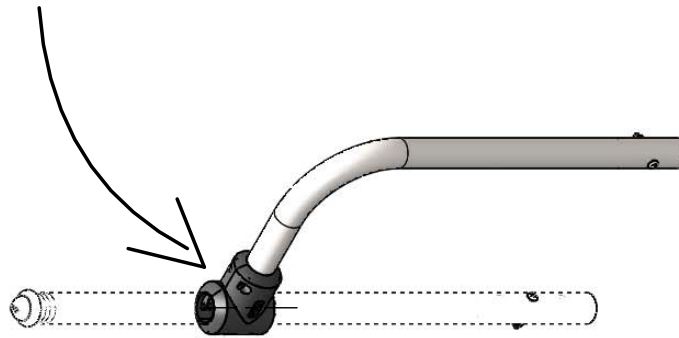
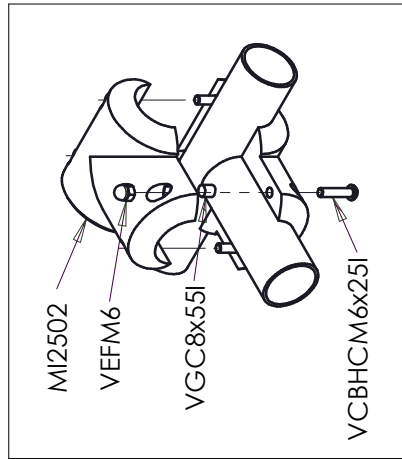
U202

Réf	Qté
U202	1
LI4505	6
M10310N	6
M10440N	6
VCBHCM10x30I	6
VEFM10	6

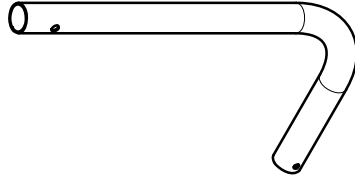


M4001

Réf	Qté
M4001	1
M10310N	4
M10440N	4
VCBHCM10x30I	4
VEFM10	4

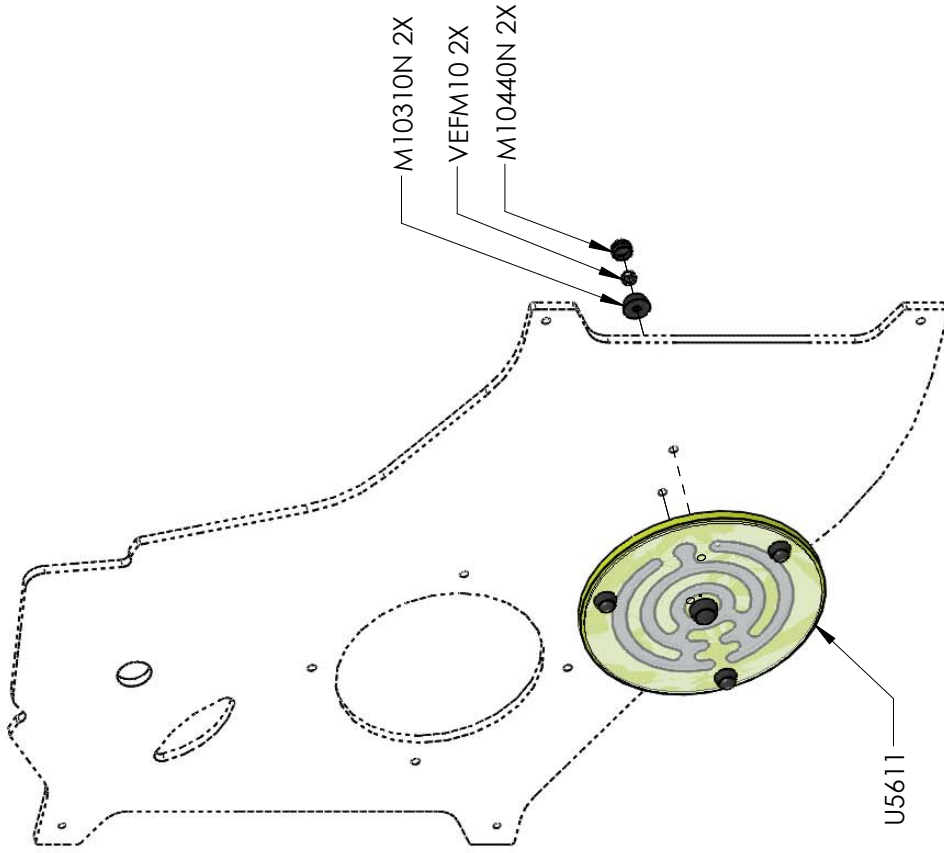


LG4502



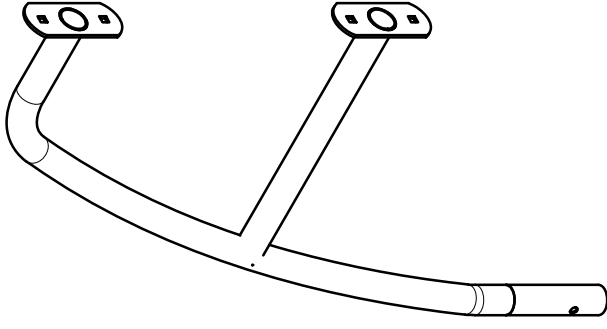
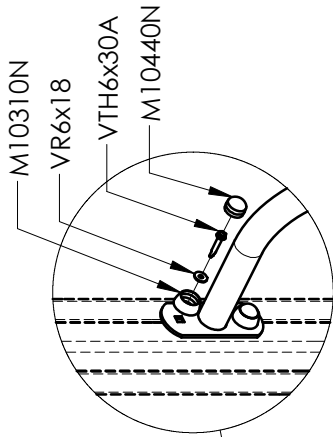
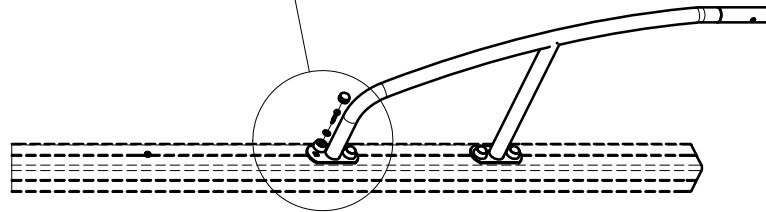
LI45300

Réf	Qté
LI45300	1
MI2502N	2
VCBHCM6x25I	4
VEFM6	4
VGC8x55I	1
LG4502	1
VCBHCM8x50I	1
VEFBM8	1

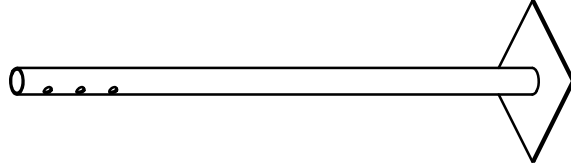


U5611

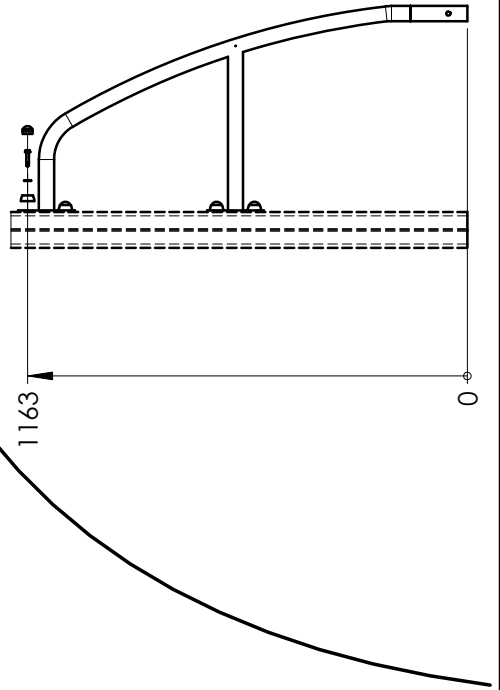
Réf	Qté
M10310N	2
M10440N	2
U5611	1
VEFM10	2



LI3894



LG4502



Réf	Qté
LI3894	1
M10310N	4
M10440N	4
VR6x18	4
VTH6x30A	4
LG4502	1
VCBHC M8x50I	1
VEFBM8	1