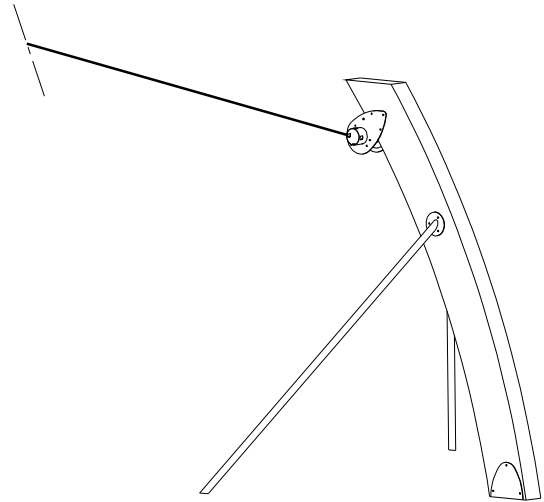
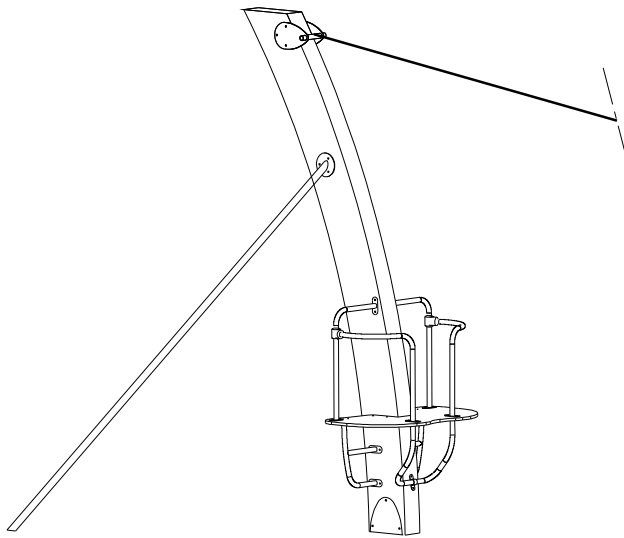
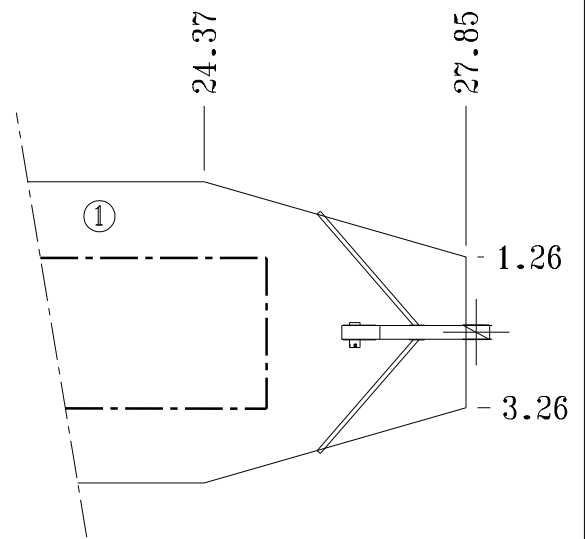
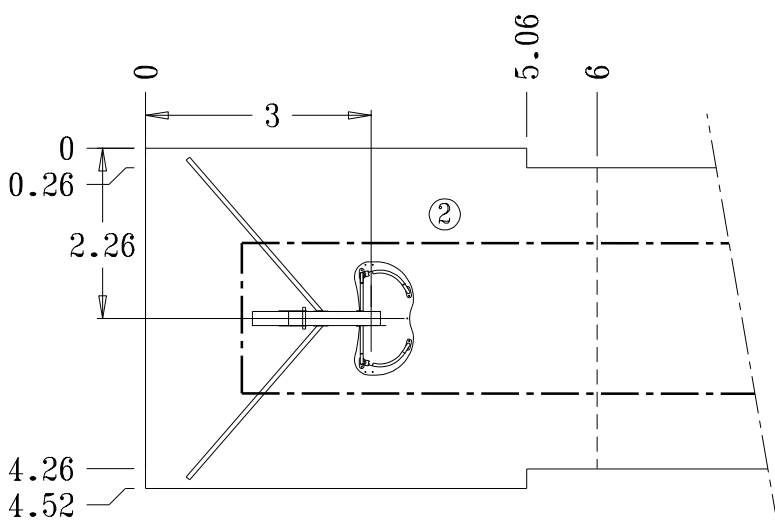


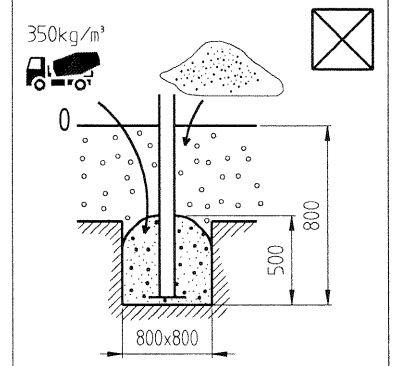
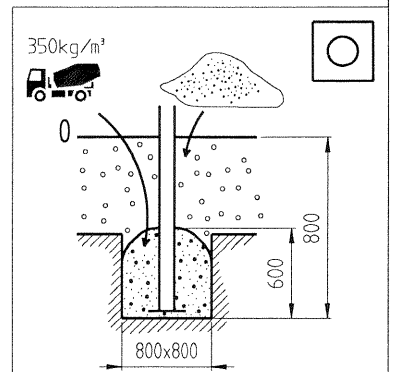
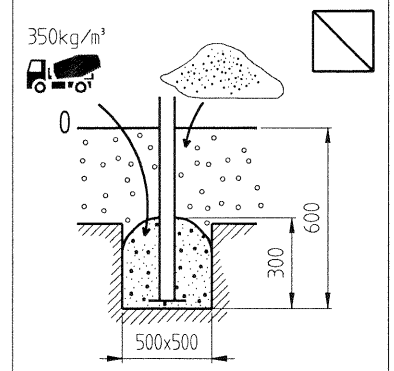
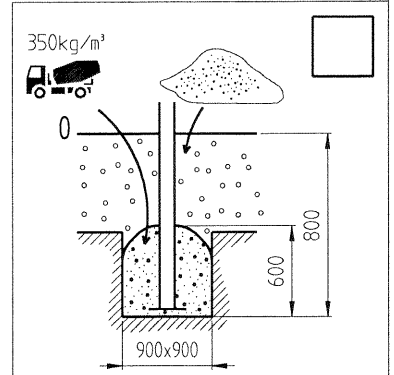
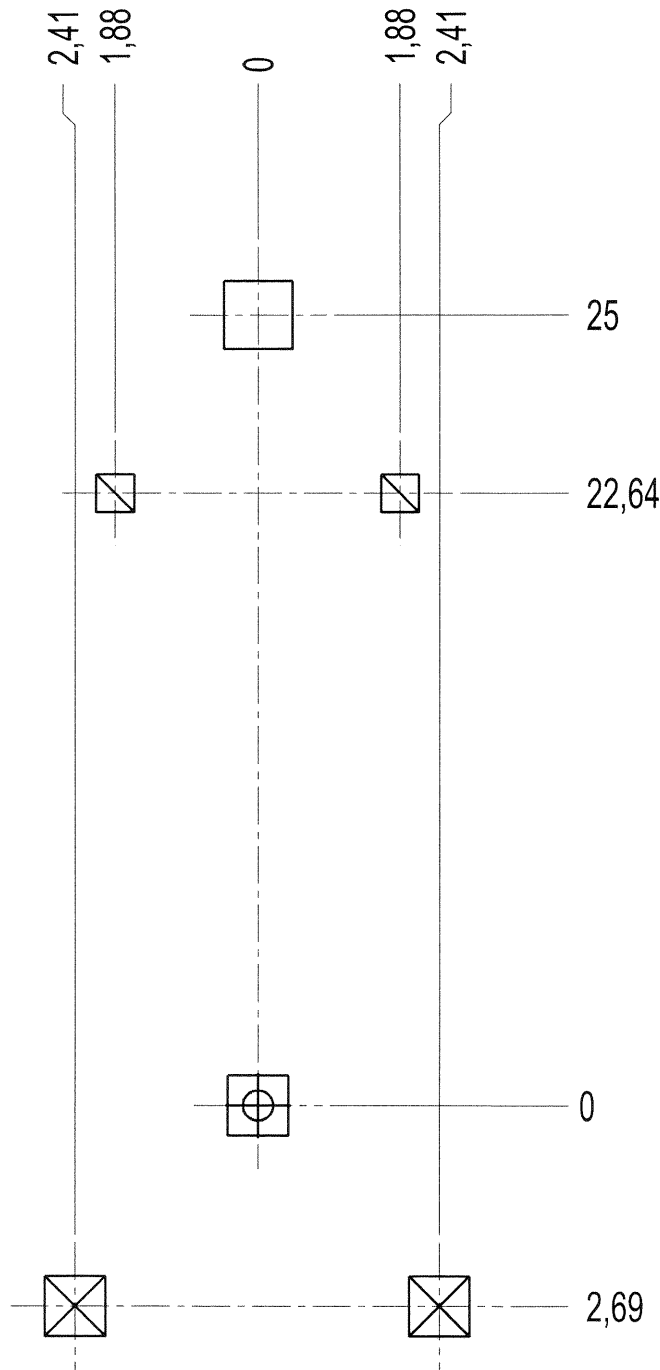
EN1176-1 : 2017
EN1176-4 : 2017







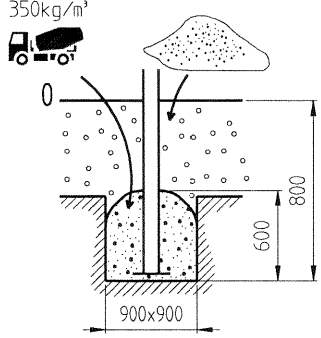

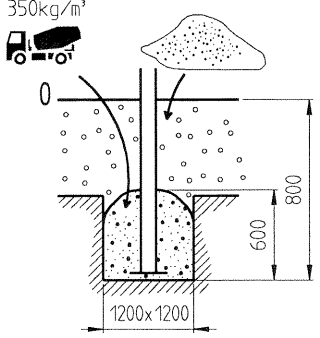

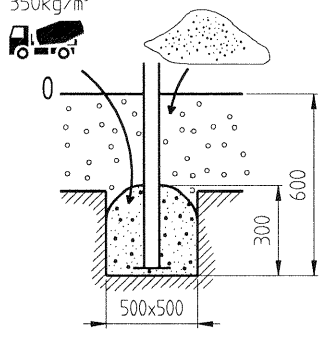

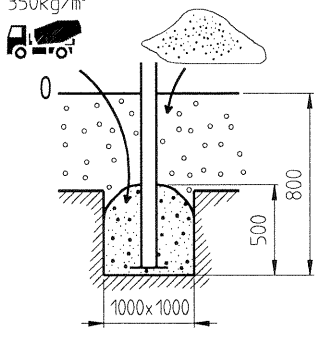

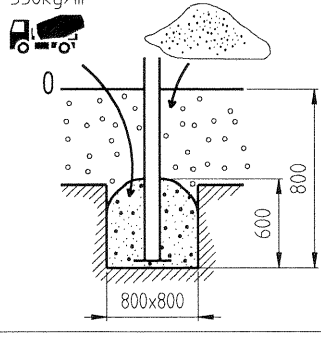

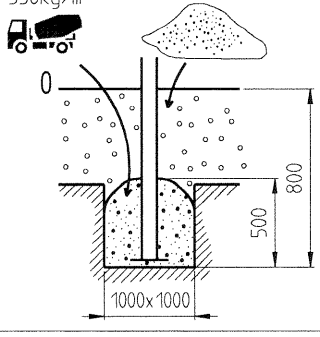
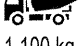
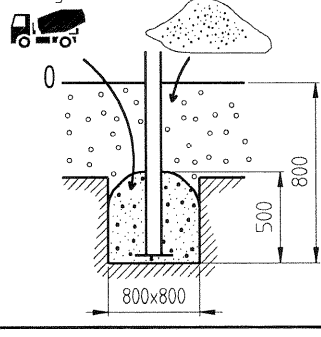

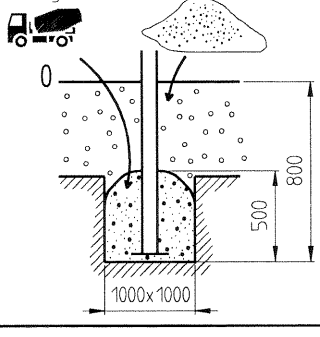

—— Zone d'Impact
Impact Area
- - - Espace Libre
Free Space

N°		M²
①	1 M	84 M²
②	1.4 M	27 M²

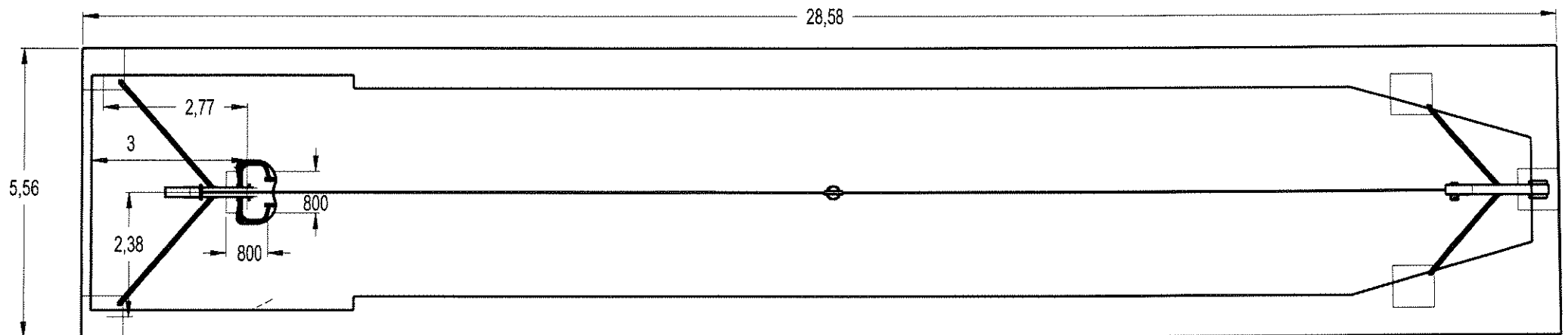


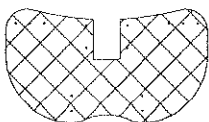
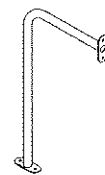
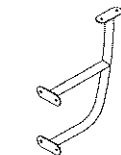
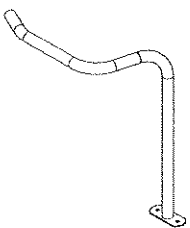
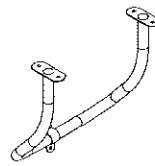
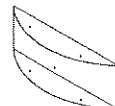
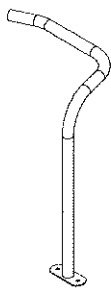
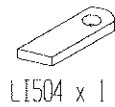
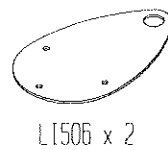
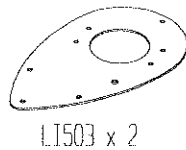
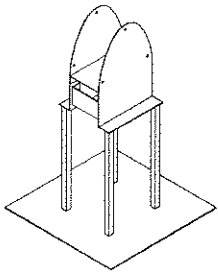
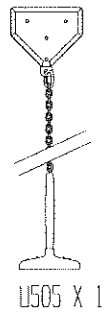
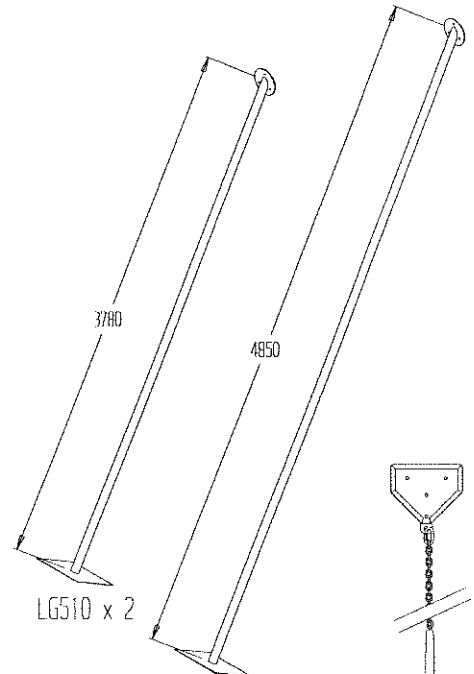
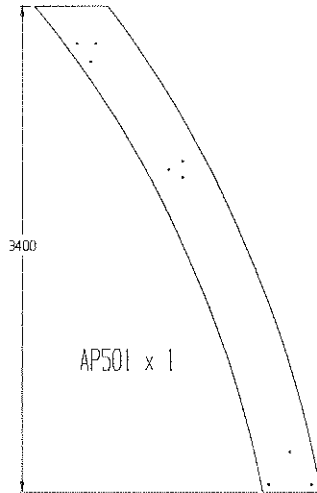
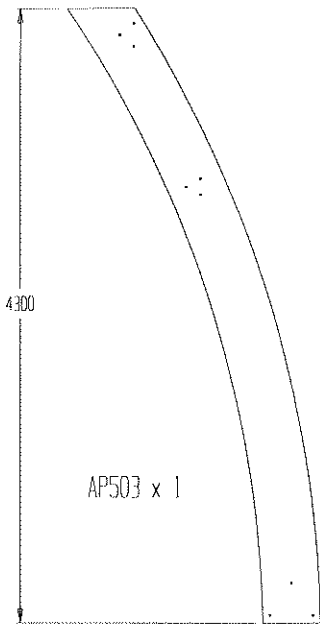


16 ou 17			
x2	10h33	1.66m ³	

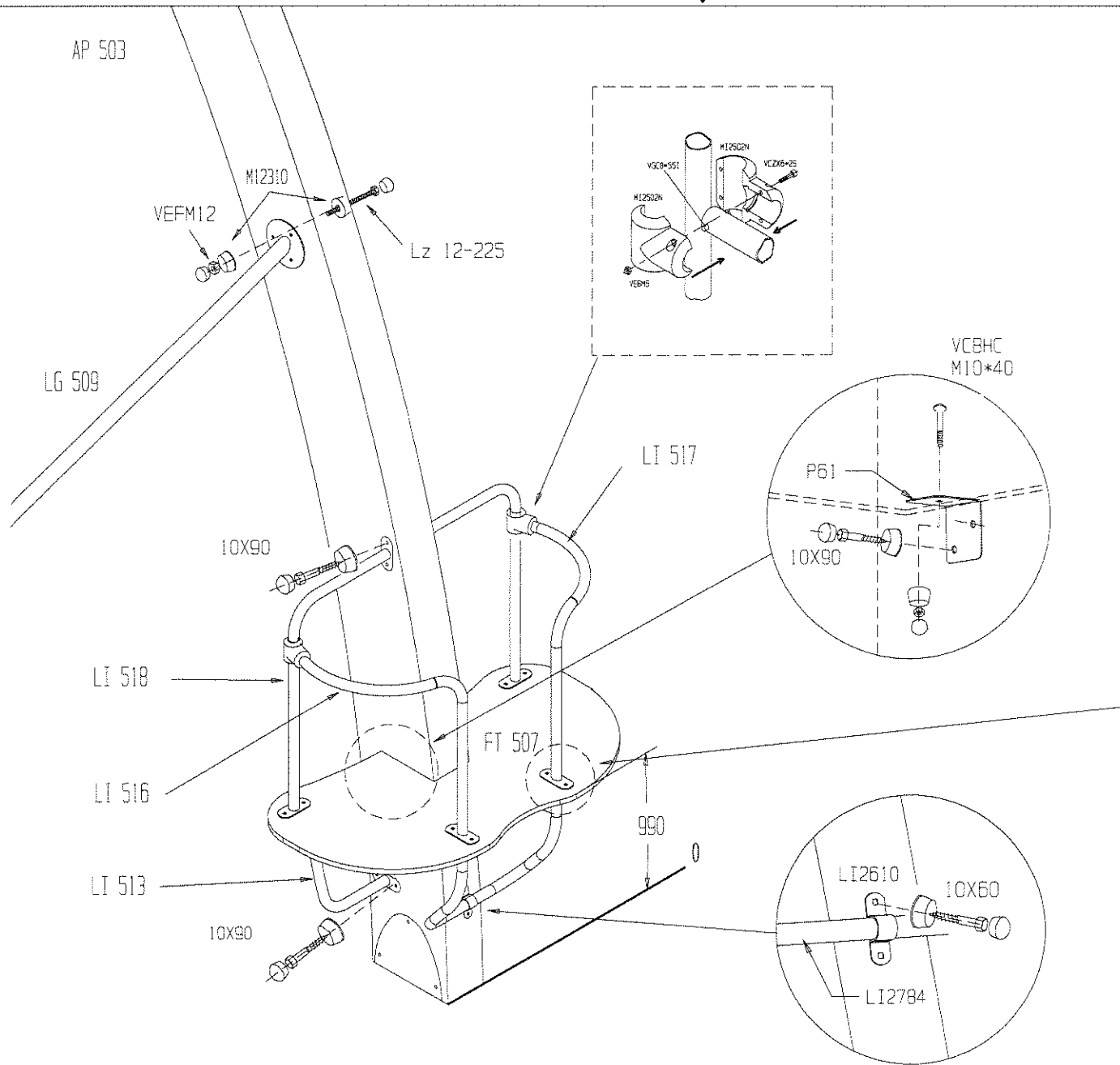
<div style="border: 1px solid black; border-radius: 50%; width: 40px; height: 40px; display: flex; align-items: center; justify-content: center; margin: 0 auto;">1</div>	<div style="text-align: center;">  $>1500 \text{ kg/m}^3$ </div>	<div style="text-align: center;">  $<1500 \text{ kg/m}^3$ </div>
	<div style="text-align: center;">  1.66 m^3 </div>	<div style="text-align: center;">  3.364 m^3 </div>
□	<div style="text-align: center;">   $1\ 100 \text{ kg}$ 0.5 m^3 </div>	<div style="text-align: center;">   $1\ 900 \text{ kg}$ 0.9 m^3 </div>
◻	<div style="text-align: center;">   165 kg 0.075 m^3 </div>	<div style="text-align: center;">   $1\ 100 \text{ kg}$ 0.5 m^3 </div>
◻	<div style="text-align: center;">   850 kg 0.4 m^3 </div>	<div style="text-align: center;">   $1\ 100 \text{ kg}$ 0.5 m^3 </div>
◻	<div style="text-align: center;">   700 kg 0.32 m^3 </div>	<div style="text-align: center;">   $1\ 100 \text{ kg}$ 0.5 m^3 </div>

- Sol fluent 69 m
- Loose particle material 159 m²
- Arenero
- Loses Bodennaterial
- Los bodennaterial

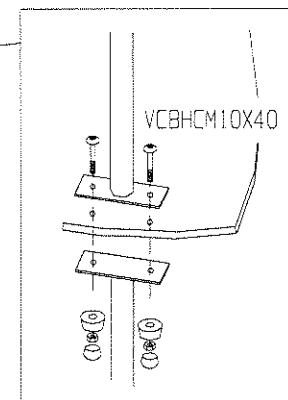




	VGC8x55f	2
	VBT6x35	8
	VTF10x60	2
	VTF10x90	20
	VCZX6x25	8
	VCBHC10x40f	12
	VTH10x40	1
	VTH10x60	4
	LZ12-225	18
	VEBM6	8
	VEFM10	19
	VEFM12	18
	VR10x40	2
	M10440N	82
	M10310N	38
	M12310	36
	M12503N	8
	P61	4







	VGC8x55I	2
	VTF 10x60	2
	VTF 10x90	20
	VCZX6x25	8
	VCBHC M10x40I	14
	LZ 12-225	3
	VEBM6	8
	VEFM10	14
	VEFM12	3
	M10440N	42
	M10310N	36
	M12310	6
	LI 2610	1
	P61	4

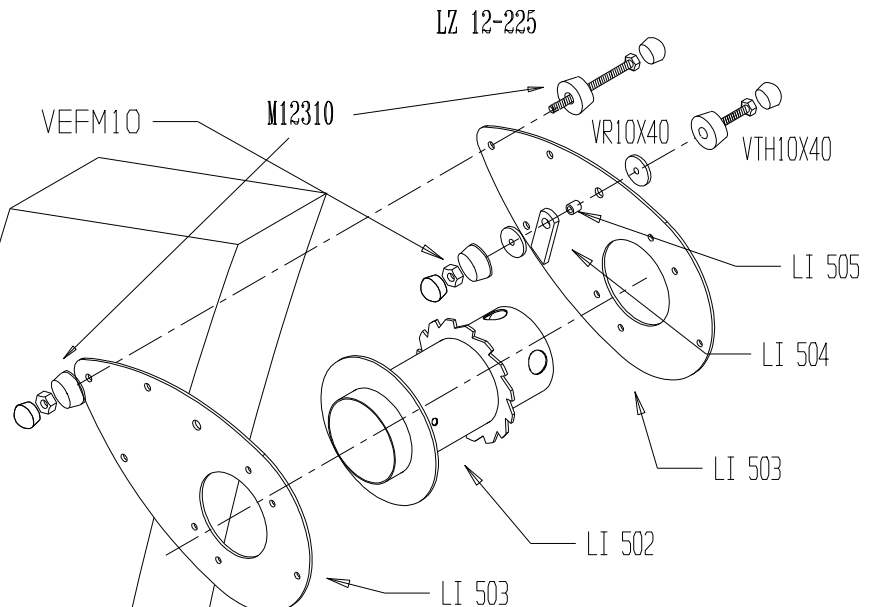
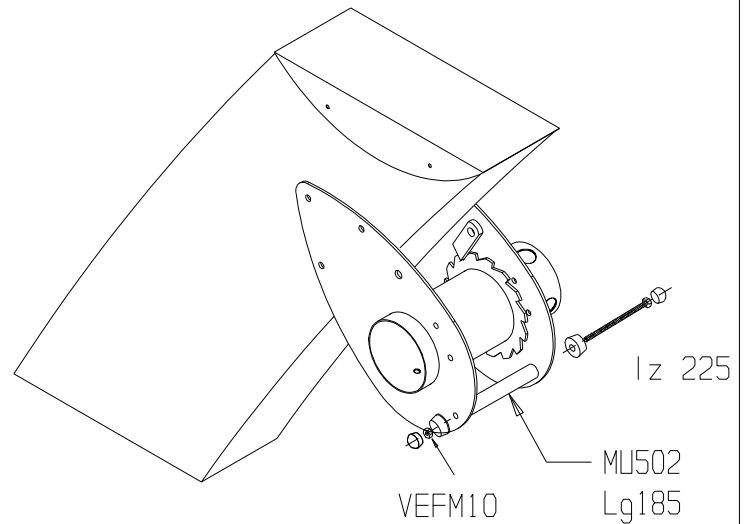
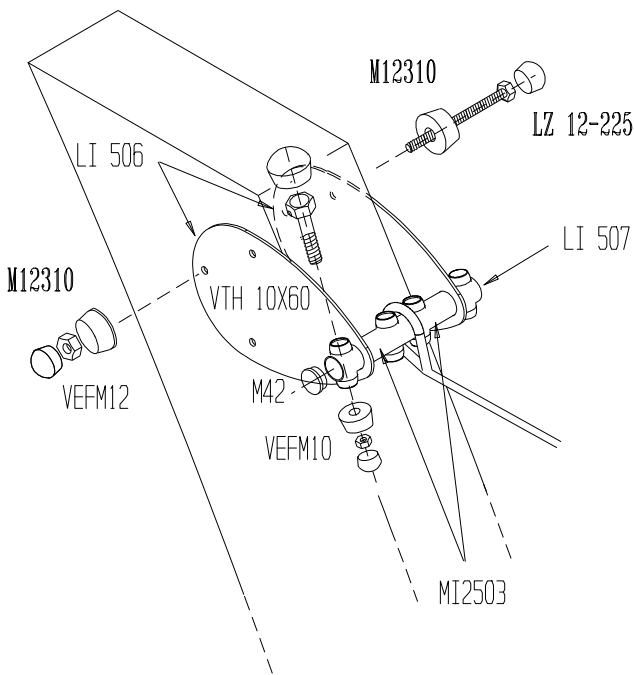
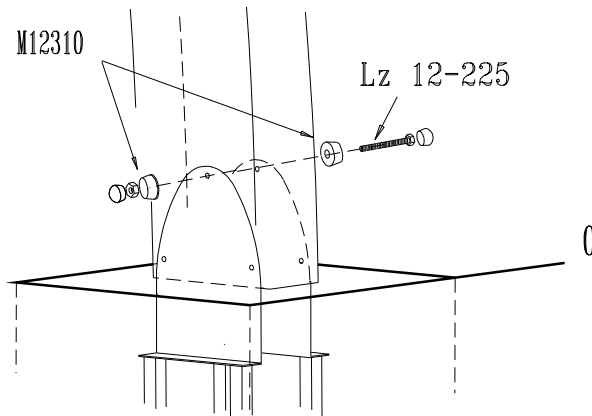



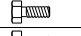




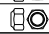

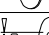
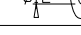



TELEPHERIQUE J 511

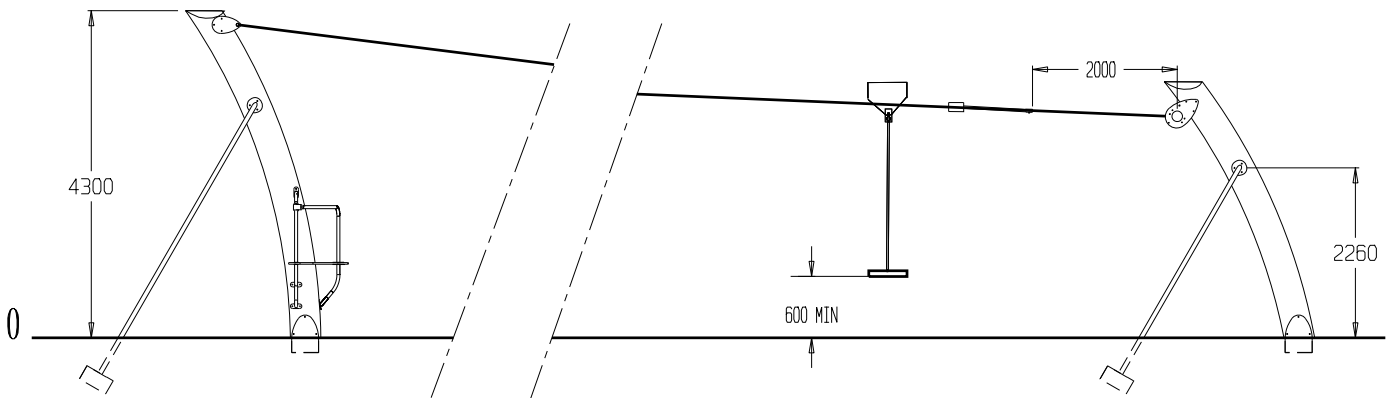
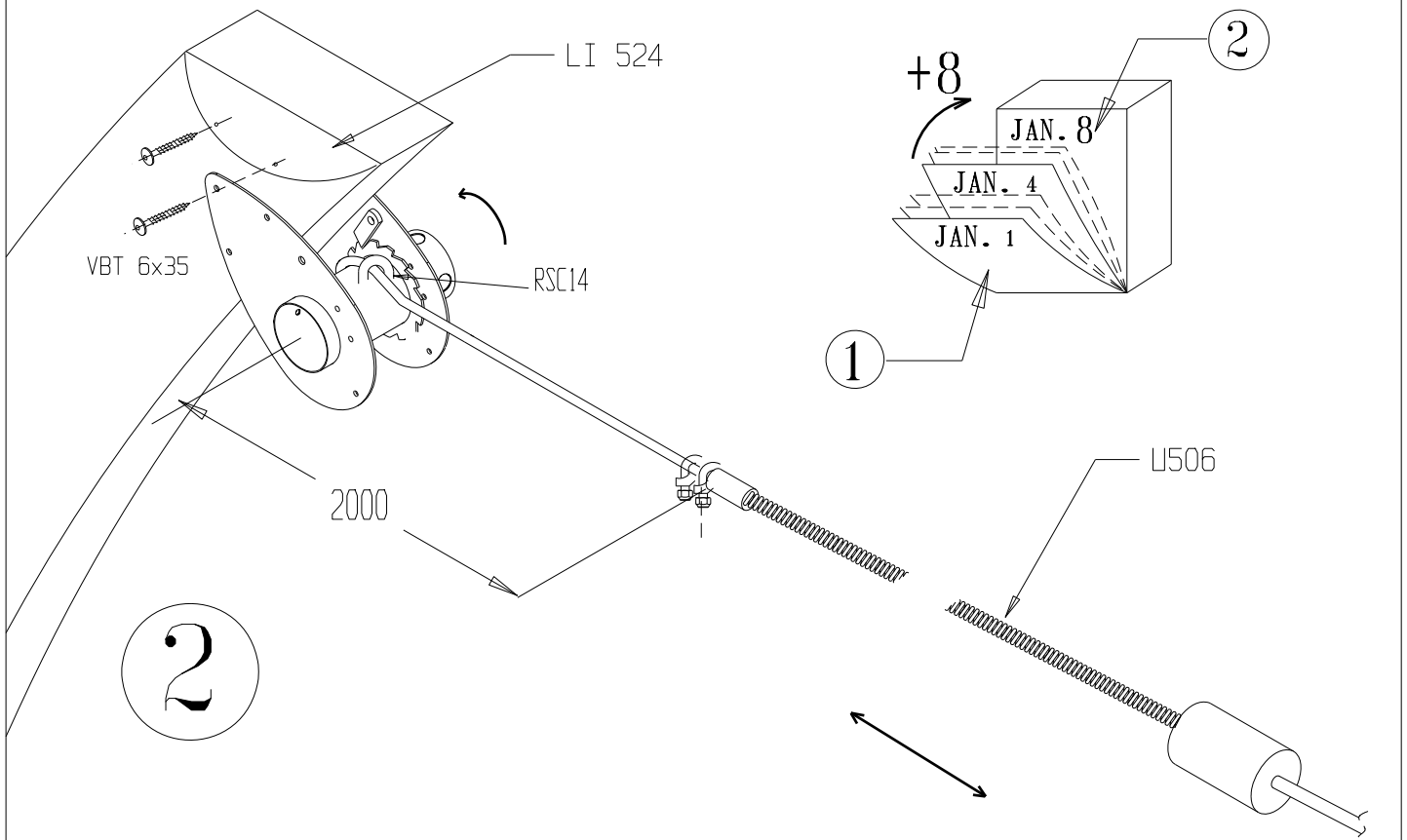
Proludic

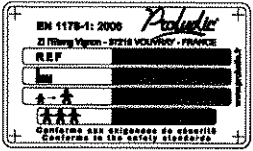
AP 503 / AP 502 / AP 501 + LG 501

	M12310	12
	M10440	12
	VEFM12	2
	LZ 12-225	6



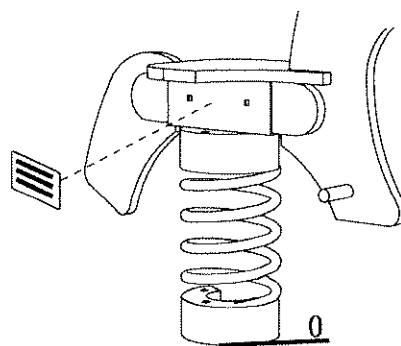
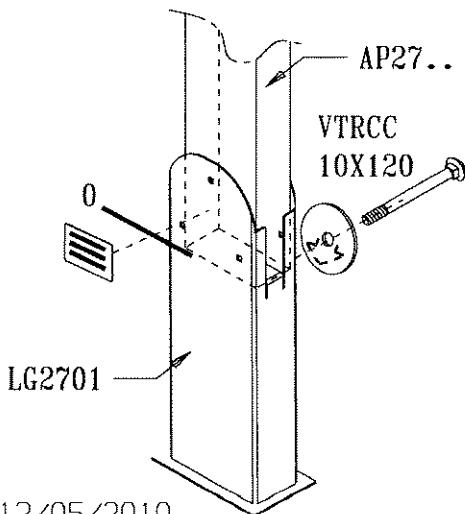
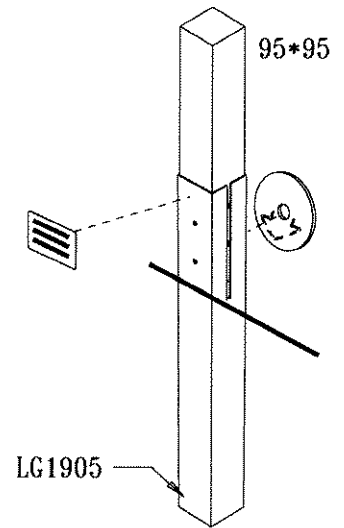
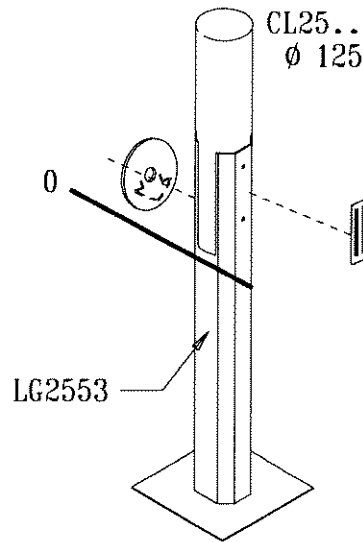
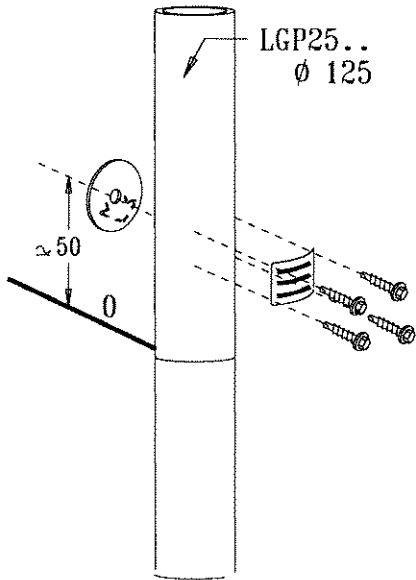
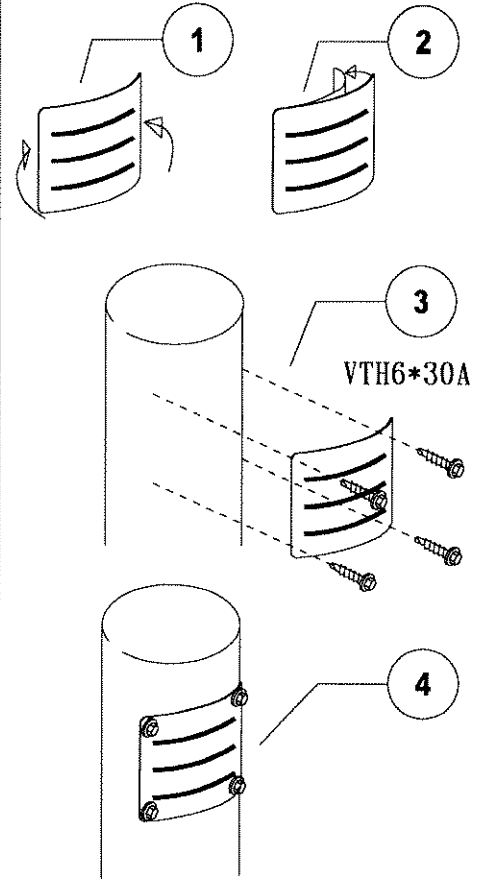
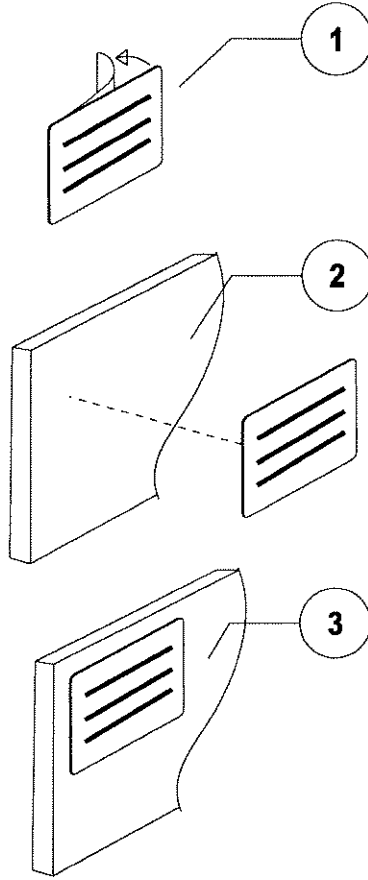
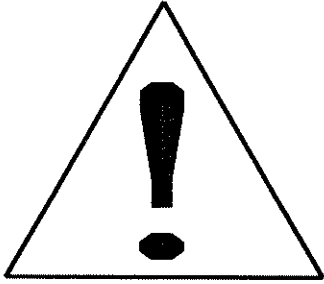
	M42	4
	VTH 10x40	1
	VTH 10x60	4
	M10310	4
	M10440	24
	VEFM12	6
	VEFM10	6
	VR10x40	2
	M12310	12
	Lz 12-225	6
	MI2503	8
	ML 502	1
	Lz 225	1



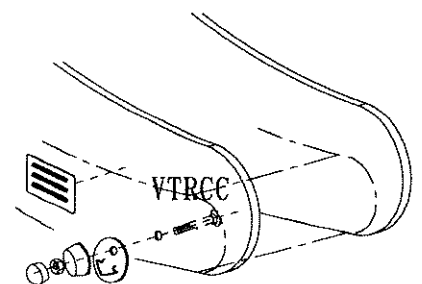


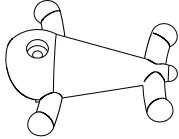
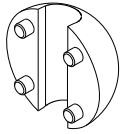
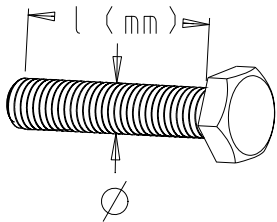
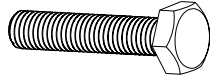

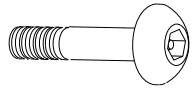
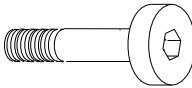
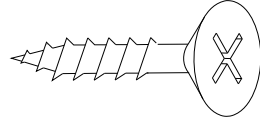
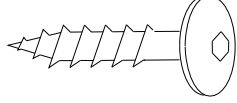
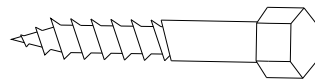
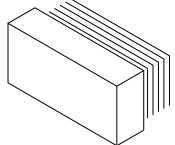
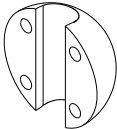
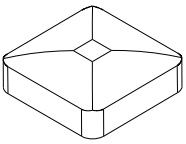
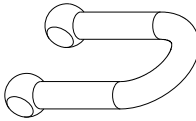
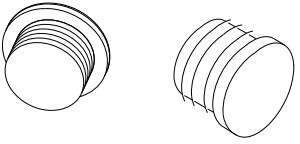
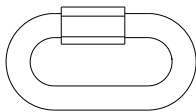
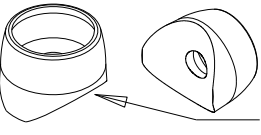
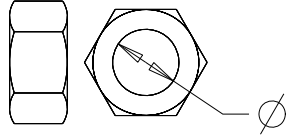
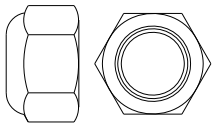
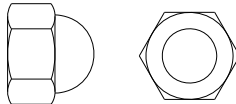
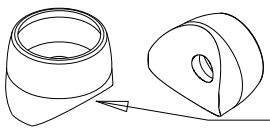
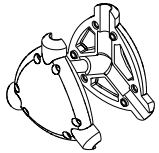
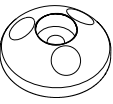
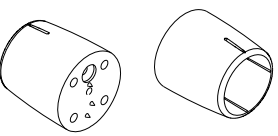
LA000

MI0002



9/10



	M100VJ		MI6A	 <p>VTH 10 x 120</p> <p>Ø</p> <p>l (mm)</p>  <p>VTH</p>  <p>VTRCC</p>  <p>VCBHC</p>  <p>VBTR</p>  <p>VWT</p>  <p>VBT</p>  <p>VTF</p>
	M4080		MI6B	
	MI0001N		RMANI06	
	M42		RMARA06	
	MI2503 Ø 40	 <p>VECMØ nut</p>  <p>VEFMØ locknut</p>  <p>VEBMØ blind nut</p>		
	MI2701 Ø 60			
	MI28N			
	MI323J			
	MI5C			