



N°		
1	1 m	53.5 m ²

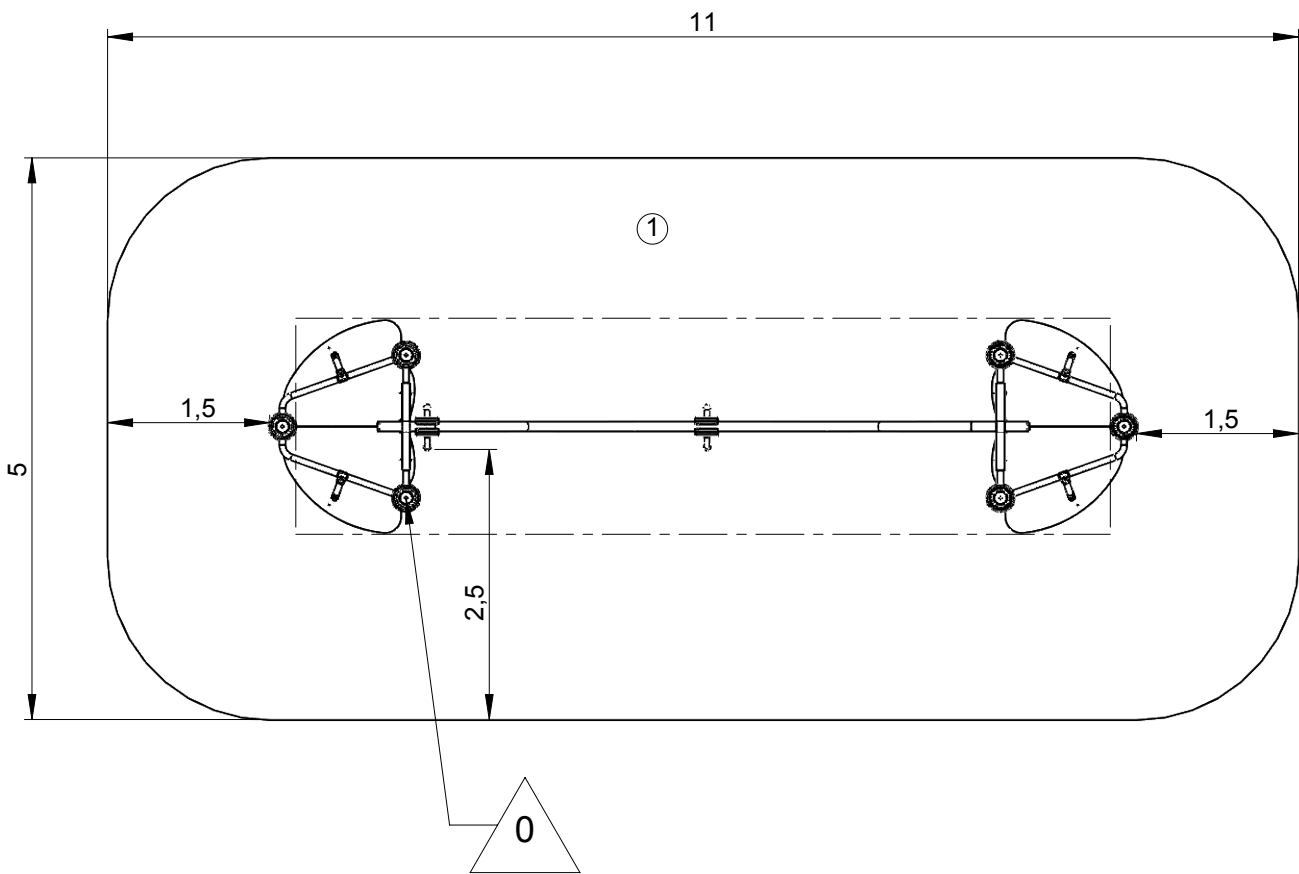
— Zone d'impact
Impact area
Area de impacto
Fallraum
Valzone

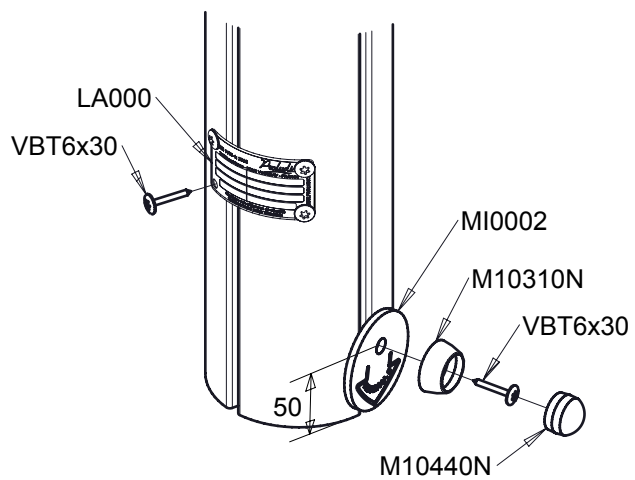
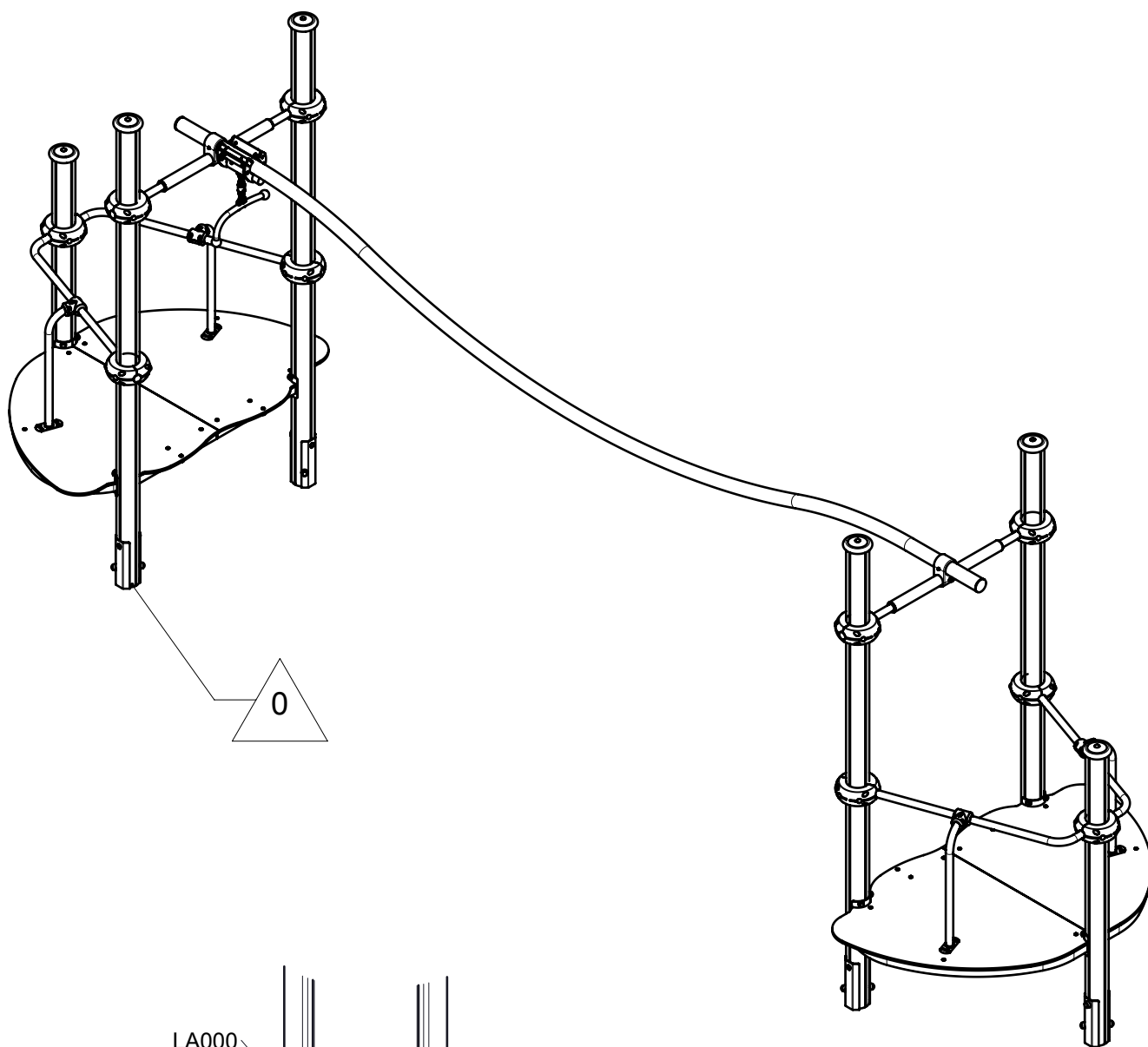


Point de référence
Setting out point
Punto de referencia
Bezugspunkt
Referentiepunt

- - - Espace libre
Free space
Espacio libre
Freiraum
Vrije ruimte

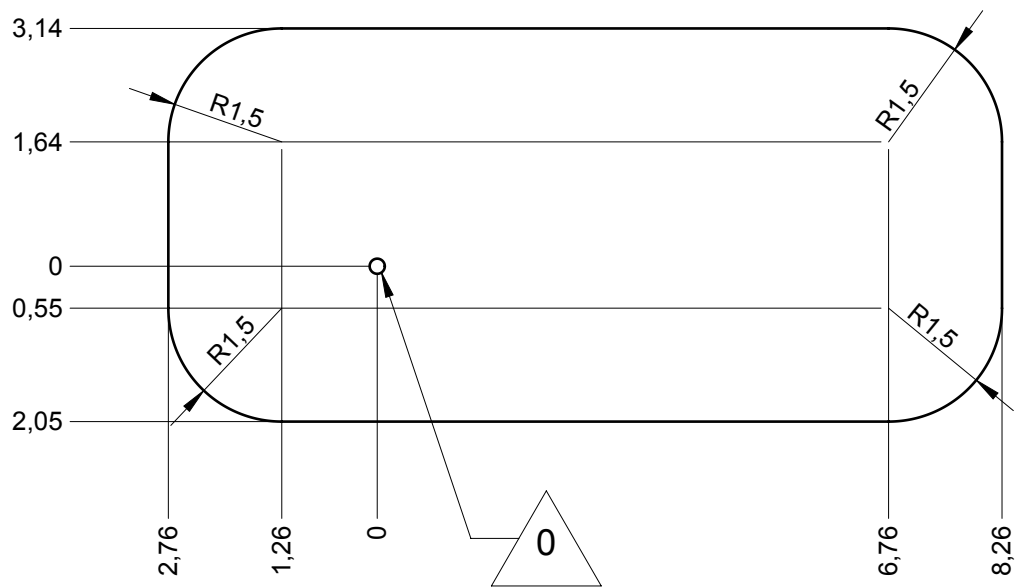
EN1176-1:2017
EN1176-4:2017





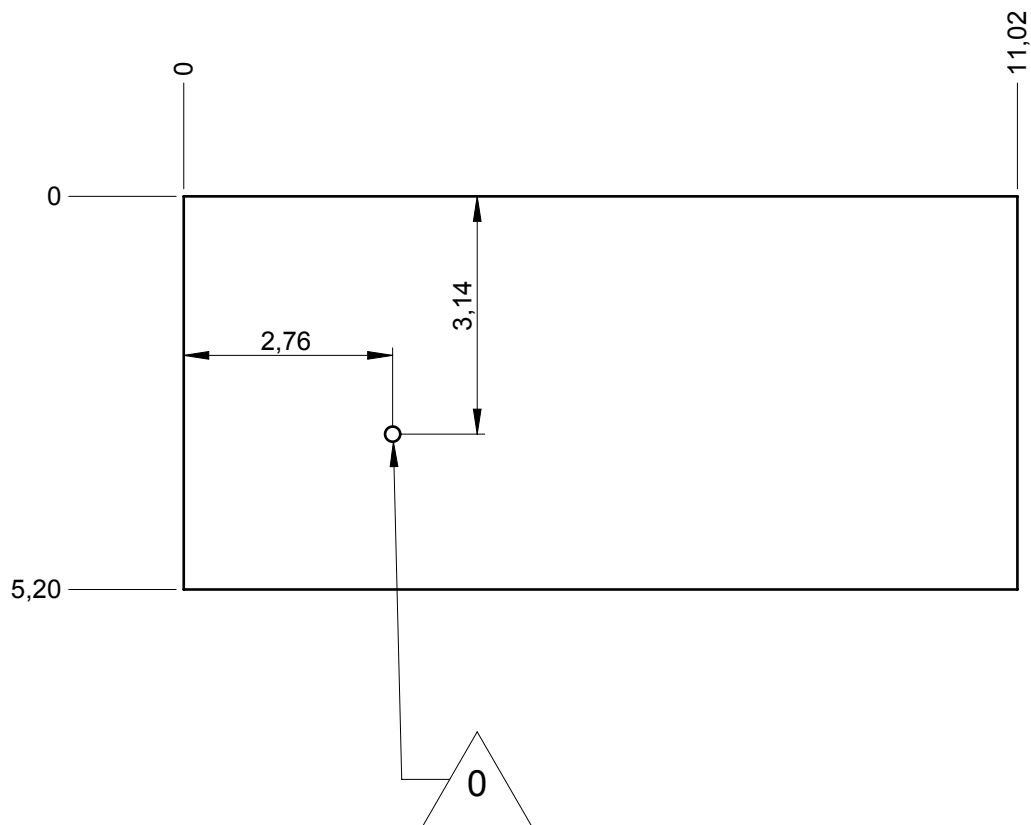
— Zone d'impact
 Impact area
 Area de impacto
 Fallraum
 Valzone

53.5 m²

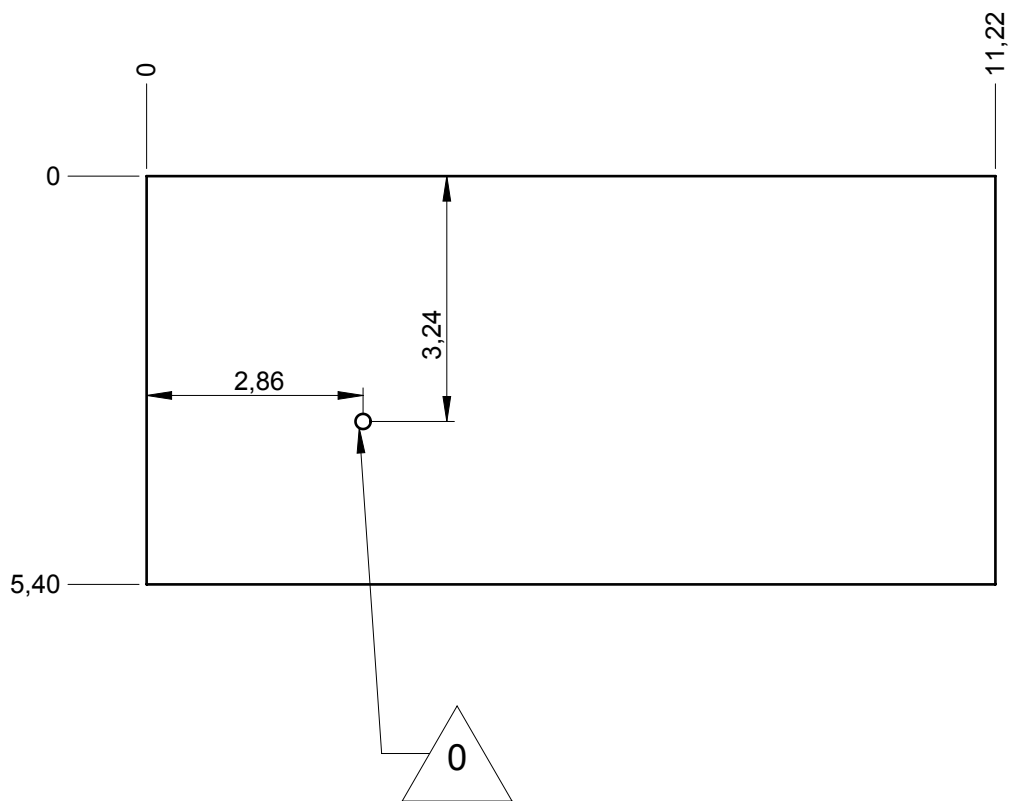


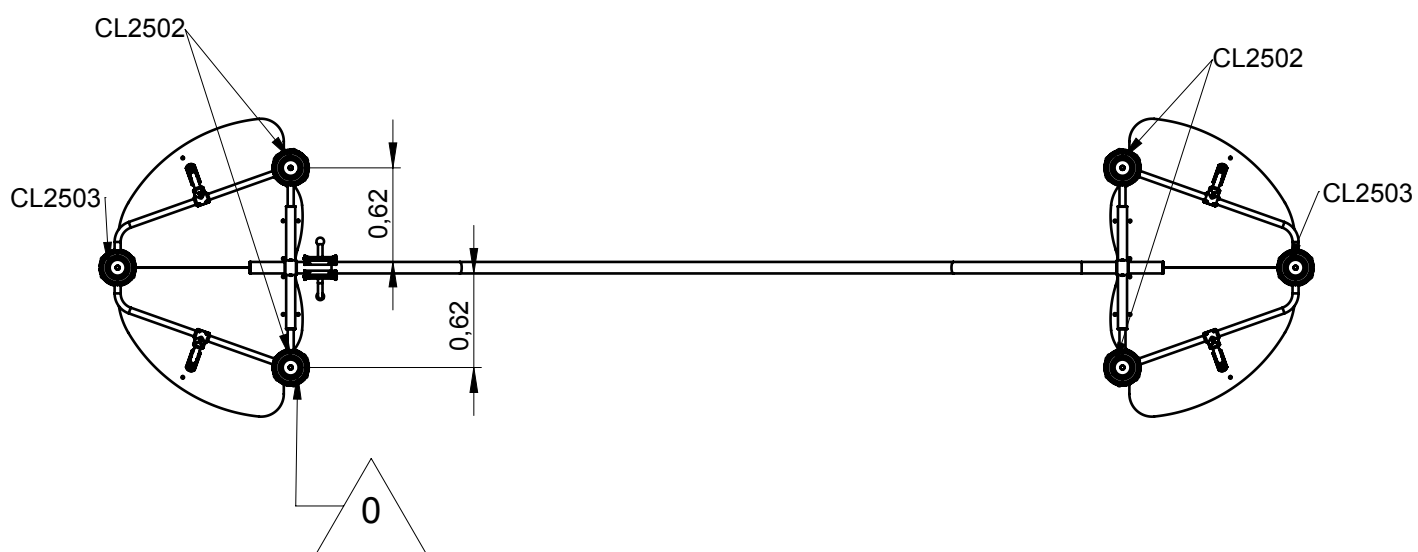
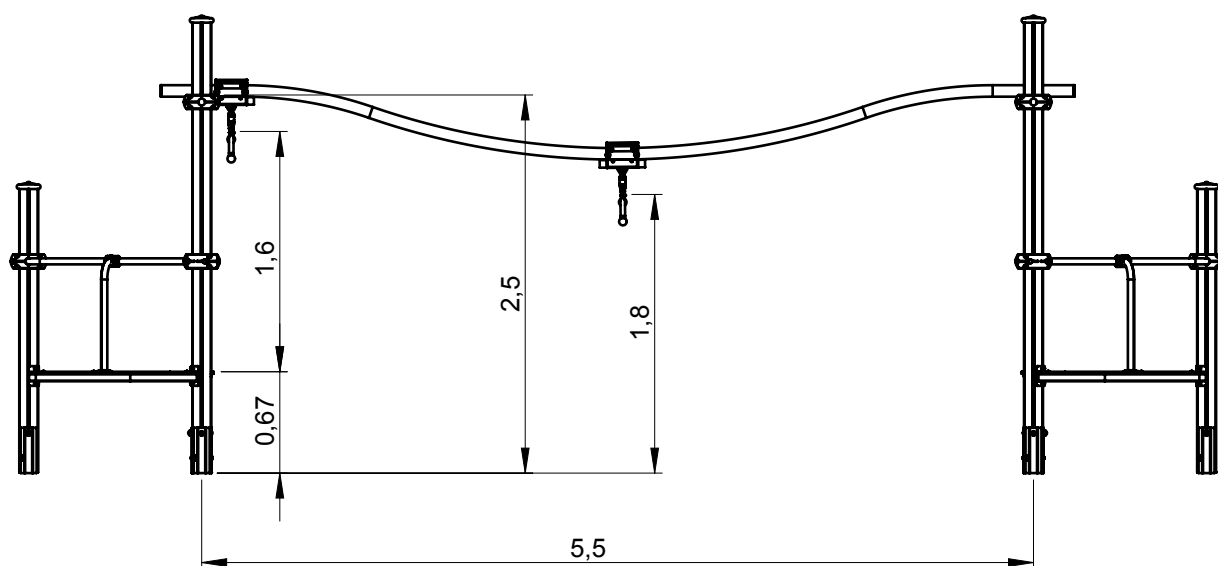
— Dalle béton
Concrete pad
Solera de hormigon
Beton bodenplatte
Betonnen bodemplaat

31.5 m
54 m²

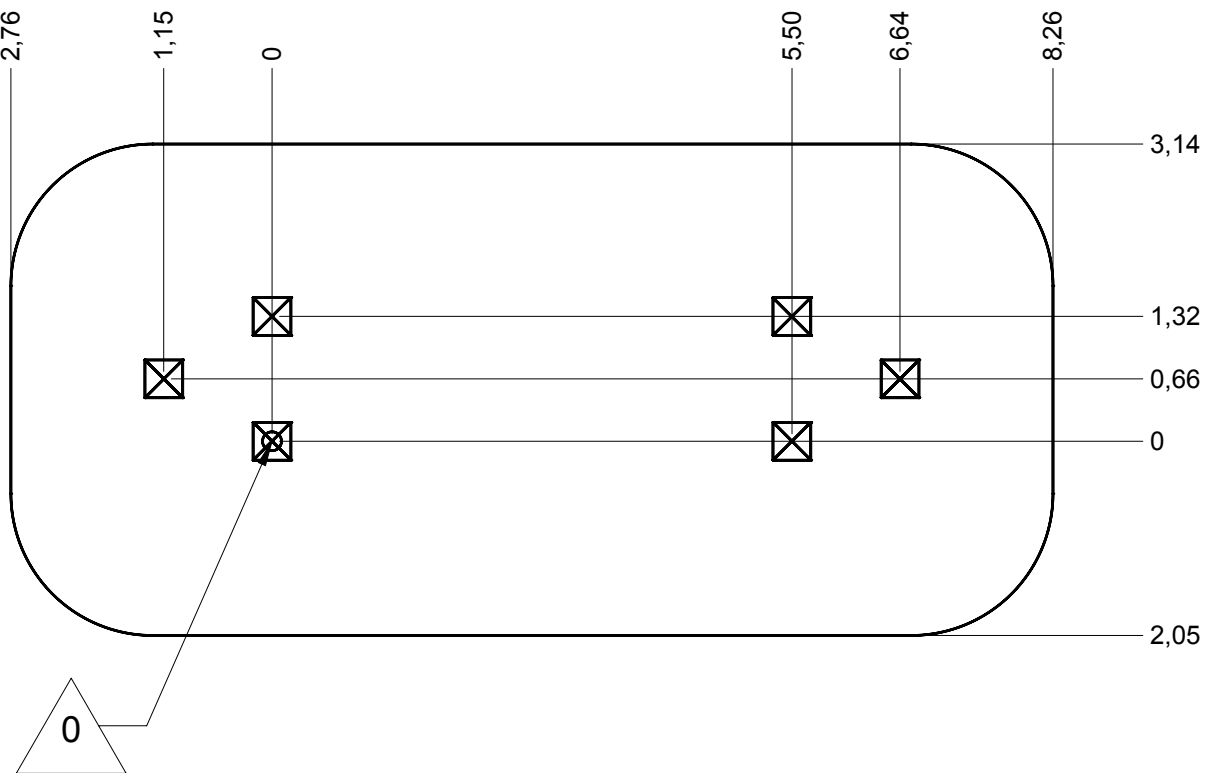





— Sol fluent
Loos partucule material 33 m
Arenero
Loses Bodenmaterial 59 m²
Los bodemateriaal

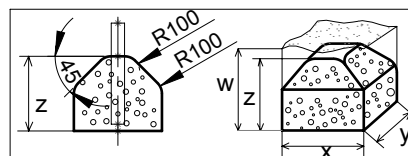







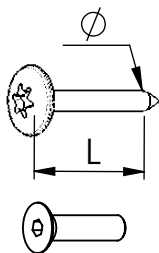
Implantation
 Footing plan
 Implantación
 Fundamentplan
 Funderingstekening



 x2
 10H
 0.29 m³



	x	y	z	w
	0.3	0.3		
	0.4	0.4	0.3	0.7
	0.6	0.3		



VBT 6 x 30
 \varnothing \nearrow \nwarrow L (mm)

VFHC



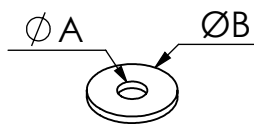
VEC M10
 \varnothing



VEF



VEB

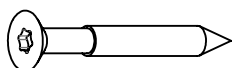


VR6x18
 \varnothing A \nwarrow \nearrow \varnothing B

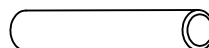
1000 - 1800 tr/min
 Vitesse de rotation
 Rotation speed

14 N.m
 Couple de rupture
 Torque of break

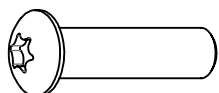
VTHA



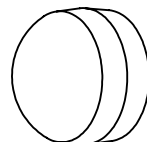
VWT



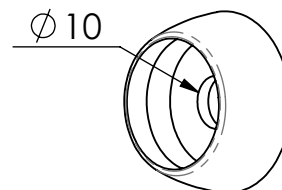
VGC



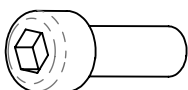
VCBHC



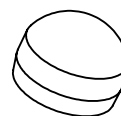
M10 440N



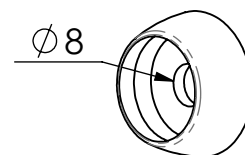
M10 310 N



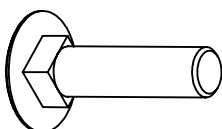
VBTR



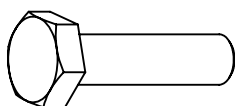
M8440N



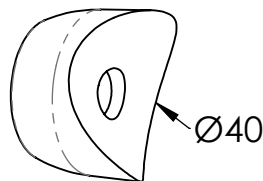
M8310N



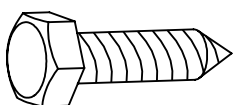
VTRCC



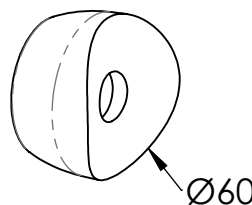
VTH



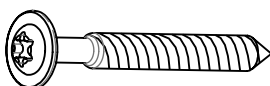
MI2503



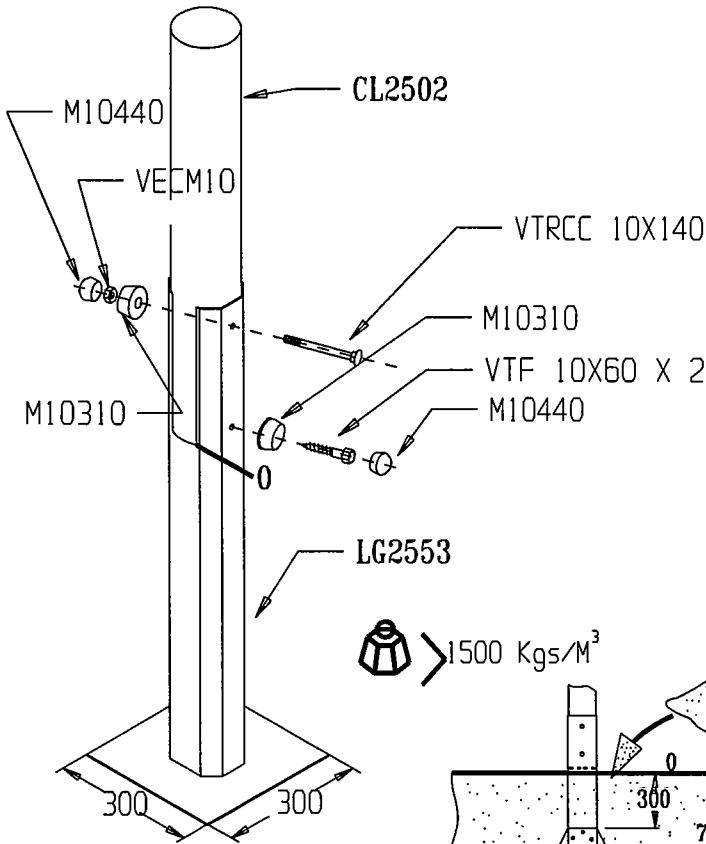
VTF



MI2701

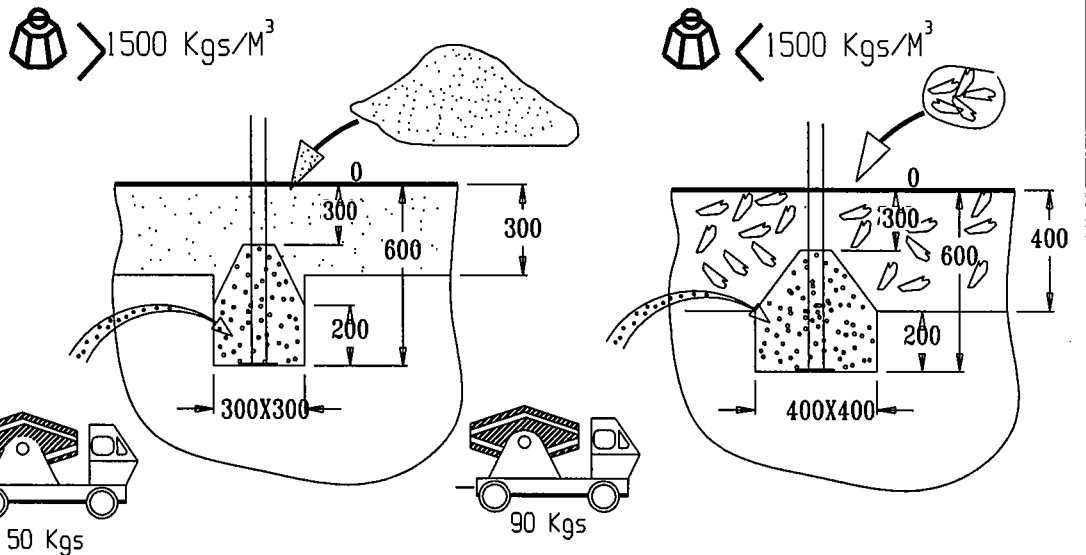
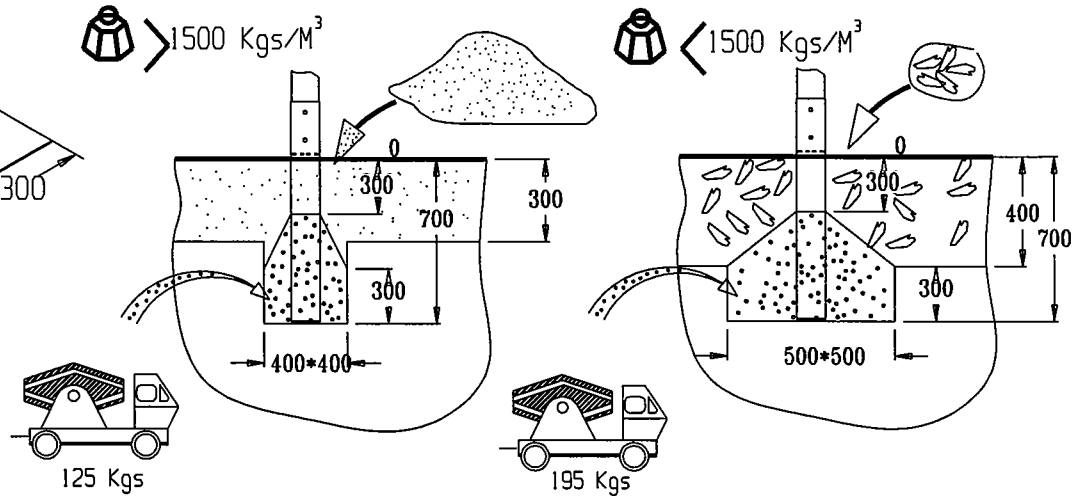


VBT

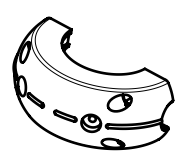
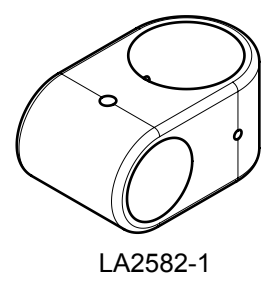
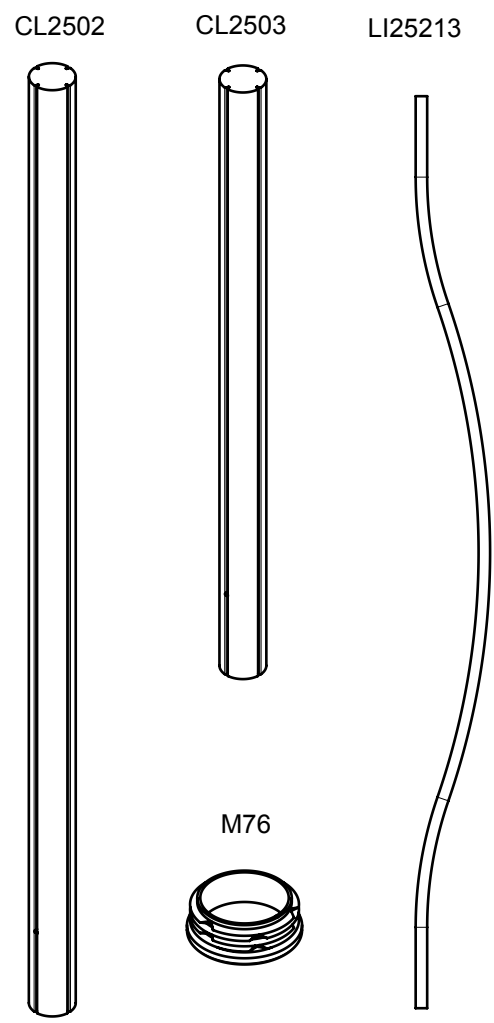
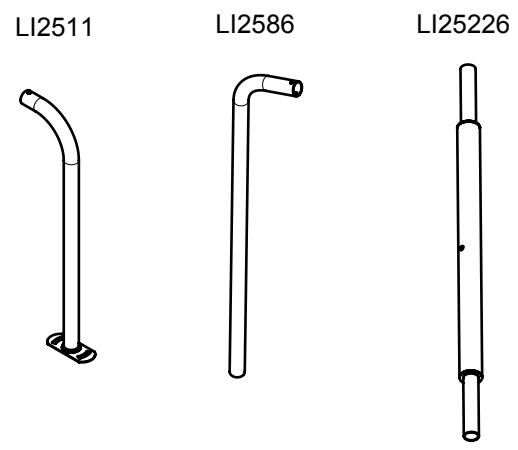
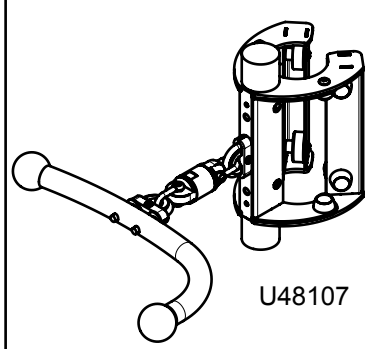
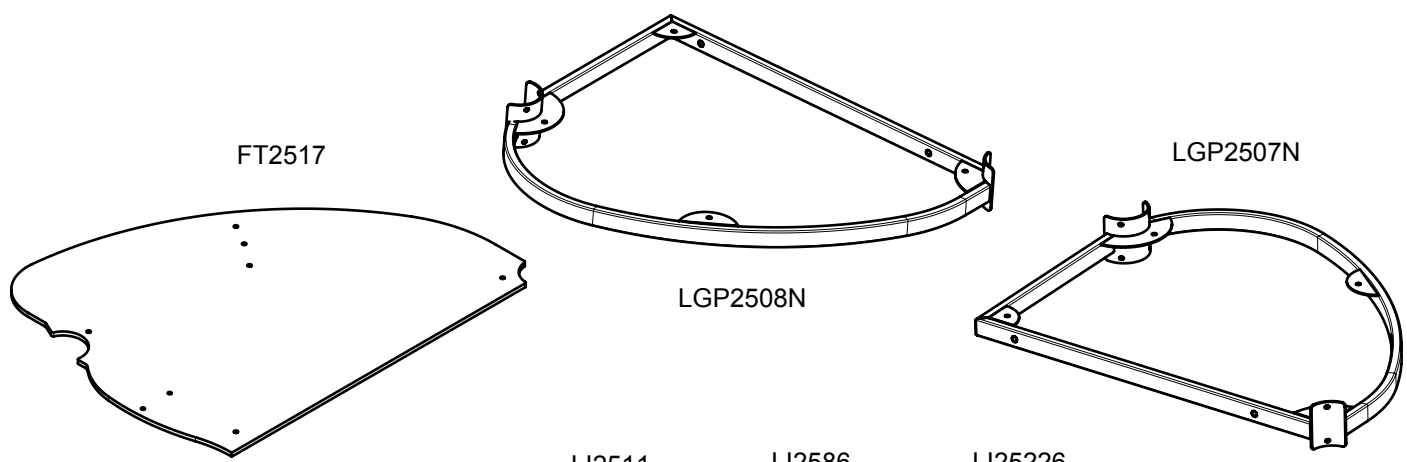


	VTRCC 10x140	1
	VECM10	1
	VTF 10x60	2
	M10310	3
	M10440	3

LG2553 X 1

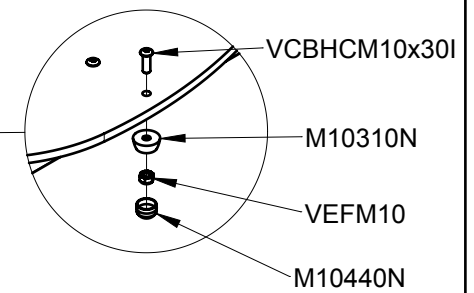
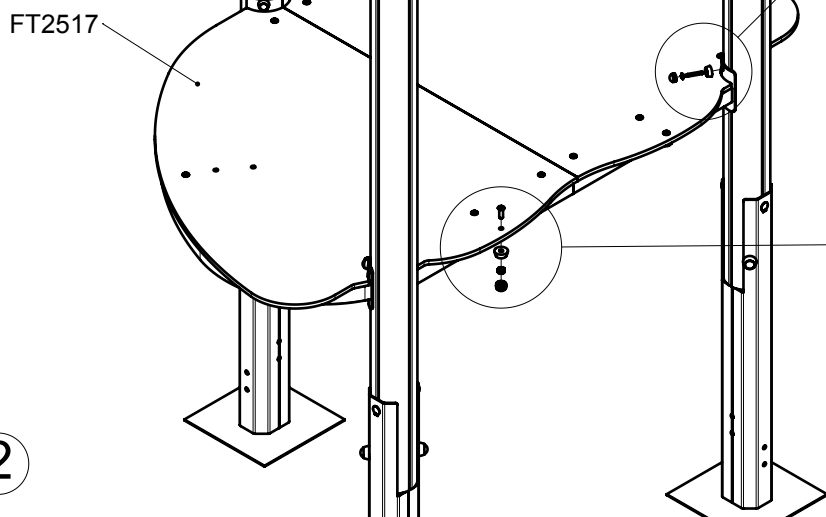
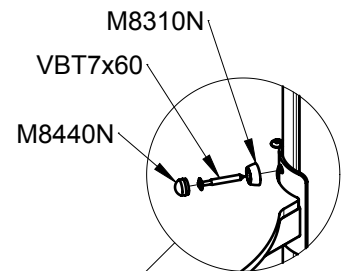
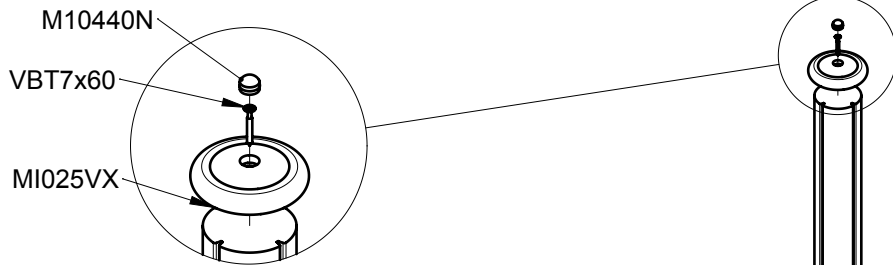
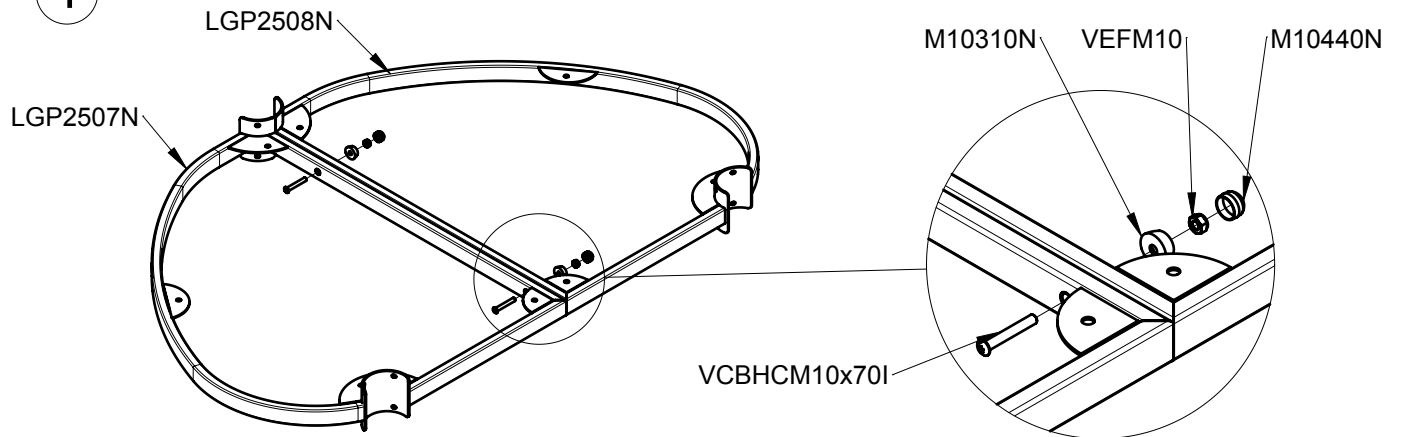


LI..... X 1

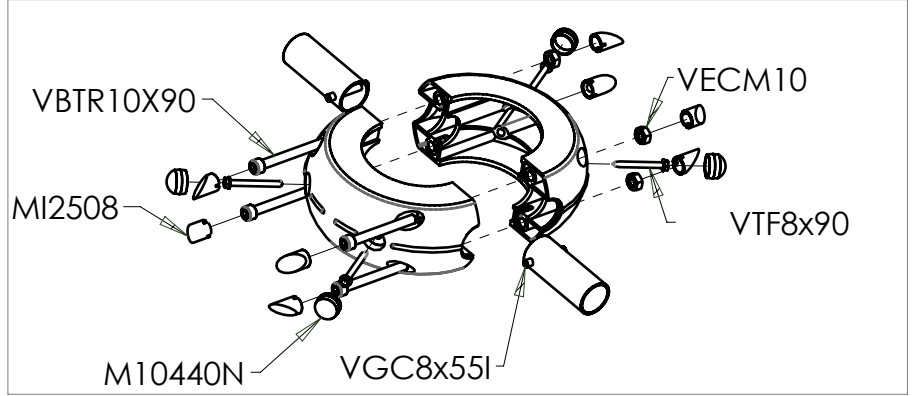
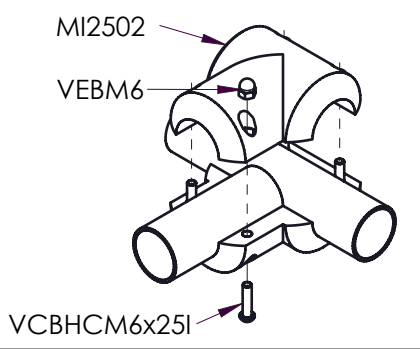


Réf	Qté
CL2502	4
CL2503	2
FT2517	4
LA2582-1	2
LGP2507N	2
LGP2508N	2
LI2511	4
LI2586	4
LI25213	1
LI25226	2
M76	2
M8310N	24
M8440N	24
M10310N	54
M10440N	100
MI025VX	6
MI2501VX	20
MI2502VX	8
MI2508	80
R2502	8
U48107	1
VBTR7x60	30
VBTR10x90	40
VCBHC10x90	2
VCBHCM6x25I	16
VCBHCM10x30I	32
VCBHCM10x70I	4
VEBM6	16
VECM10	40
VEFBM10	2
VEFM10	42
VGC8x55I	8
VR10x22	2
VTF8x90	40
VTF10x60	12
VTH6x30A	4
VTRCC10x140	6

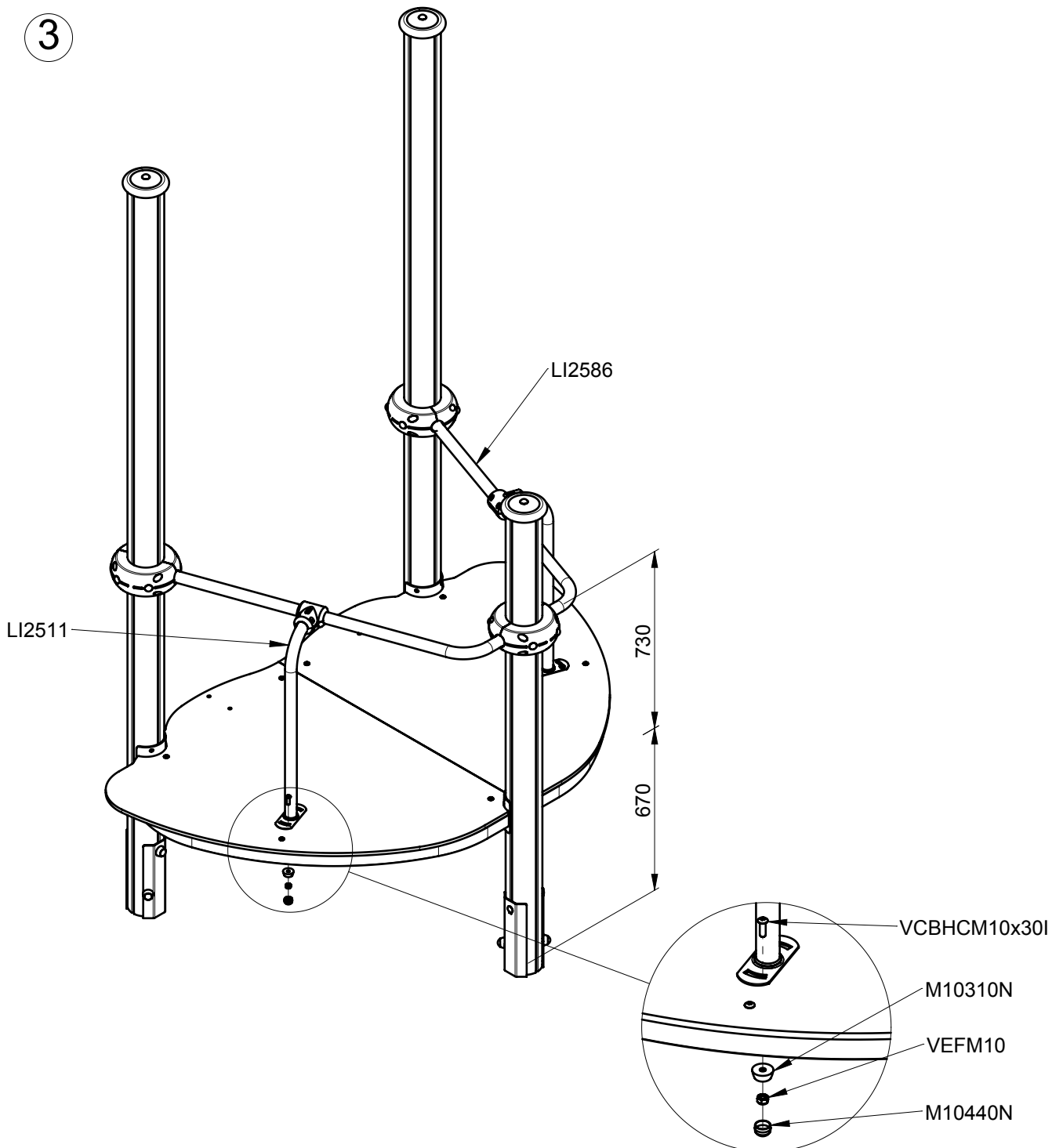
1

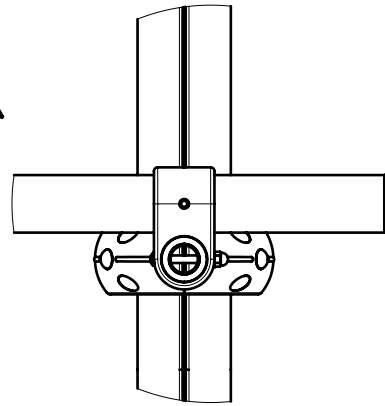
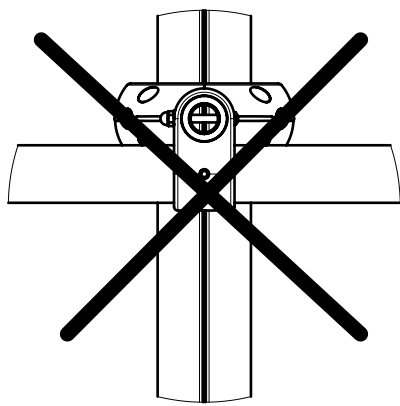


2

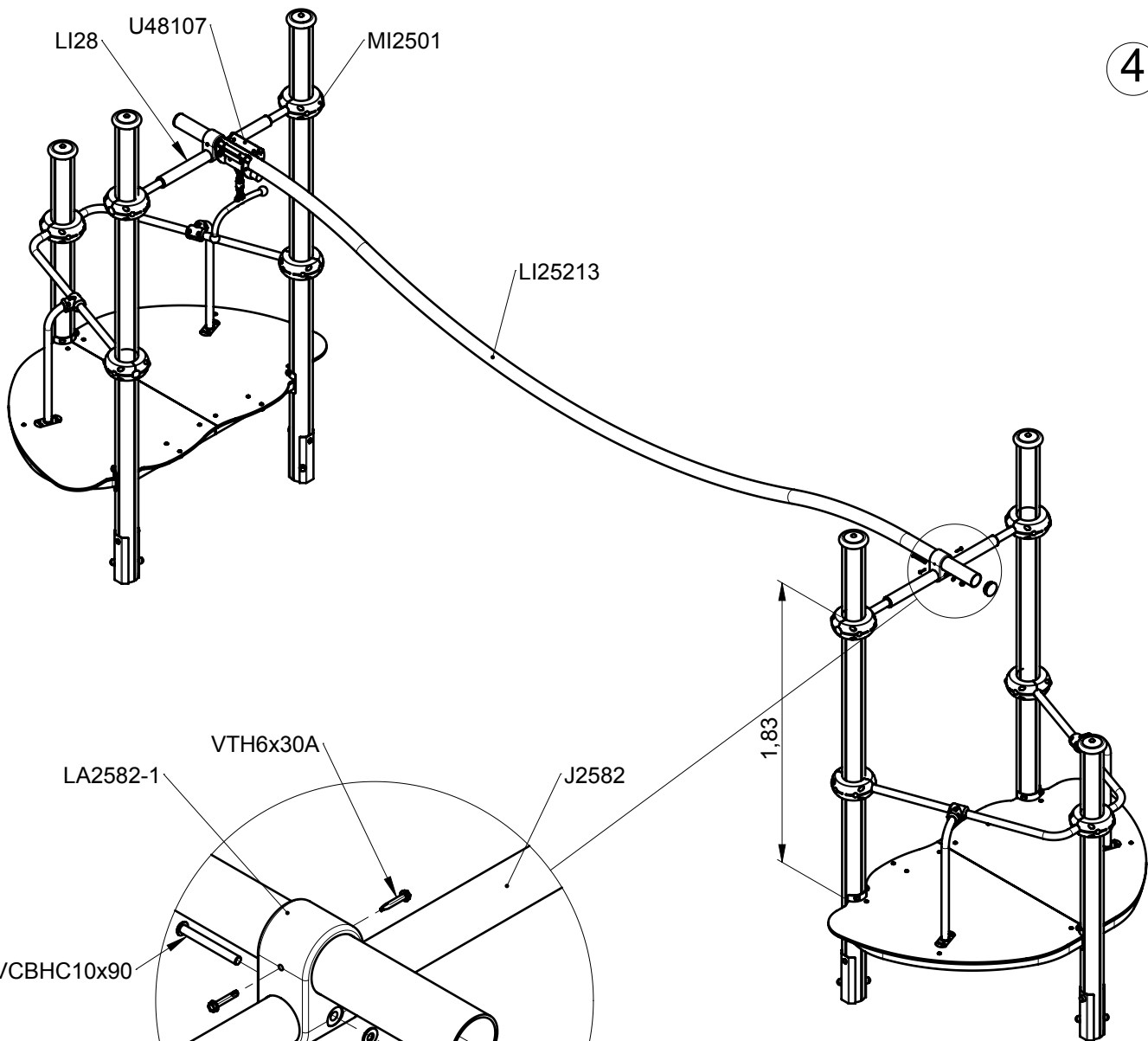


3





4



5

