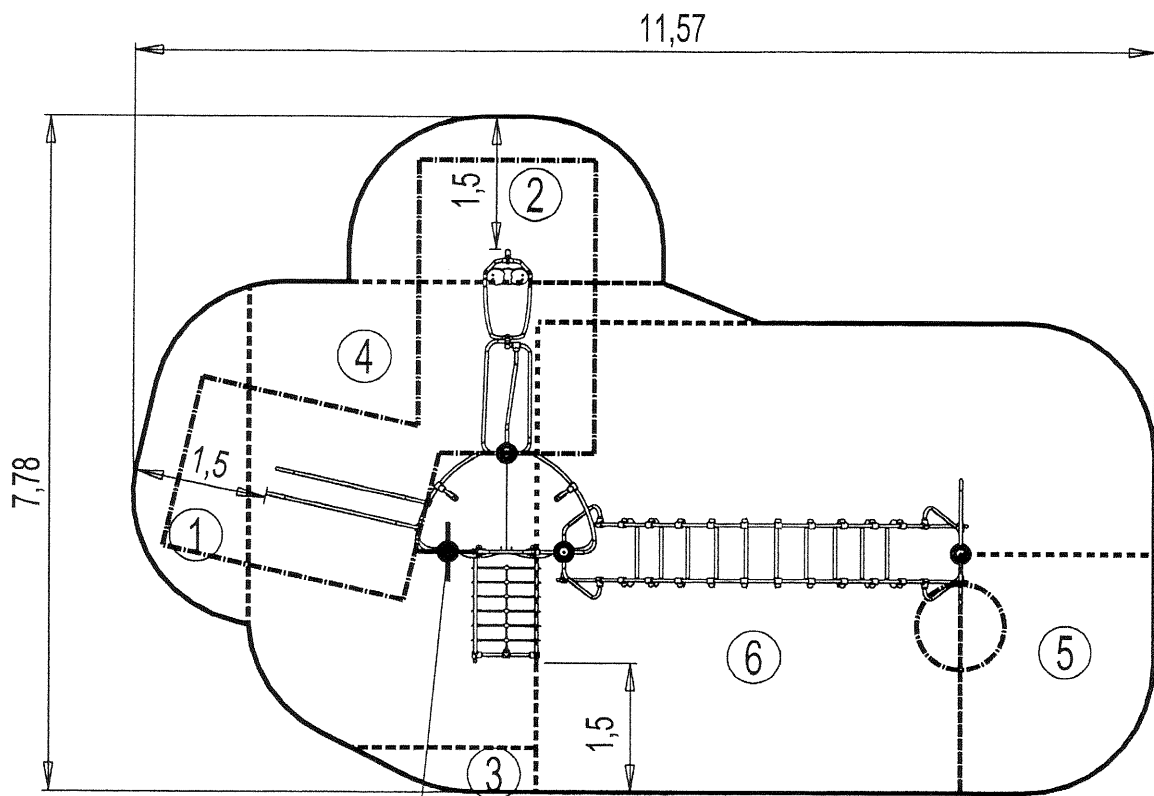


N°		M ²
①	0.6 m	4 m ²
②	0.7 m	6 m ²
③	1 m	1 m ²
④	1.95 m	18 m ²
⑤	2 m	6 m ²
⑥	2.4 m	31.5m ²

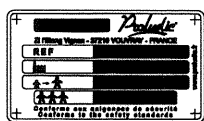
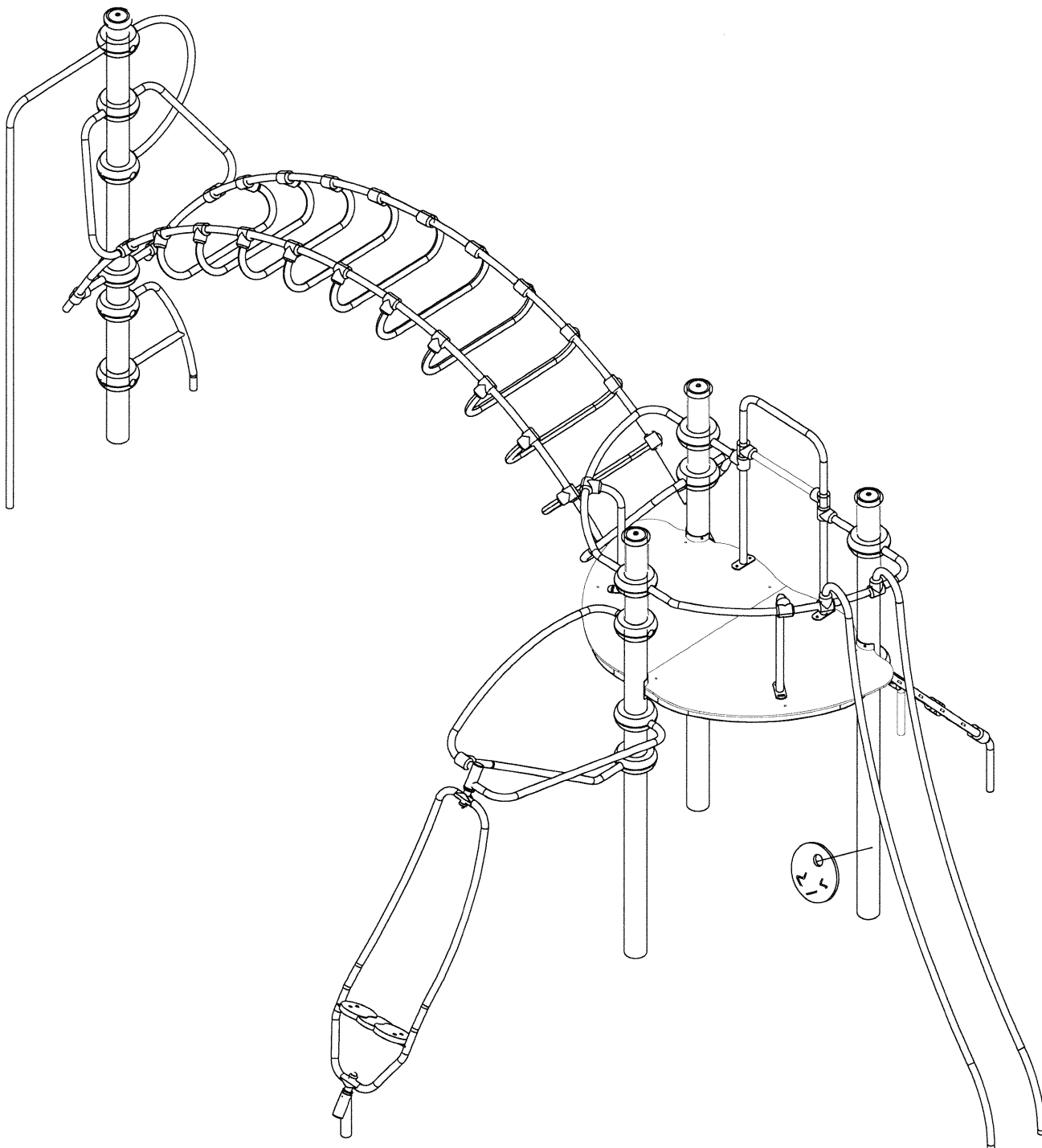
— Zone d'Impact
Impact Area
Area de Impacto
Fallraum
Valzone

EN1176-1 : 2017

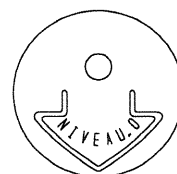
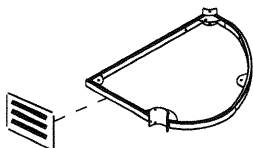
- - - Espace libre
Free Space
Espacio Libre
Freiraum
Vrije ruimte



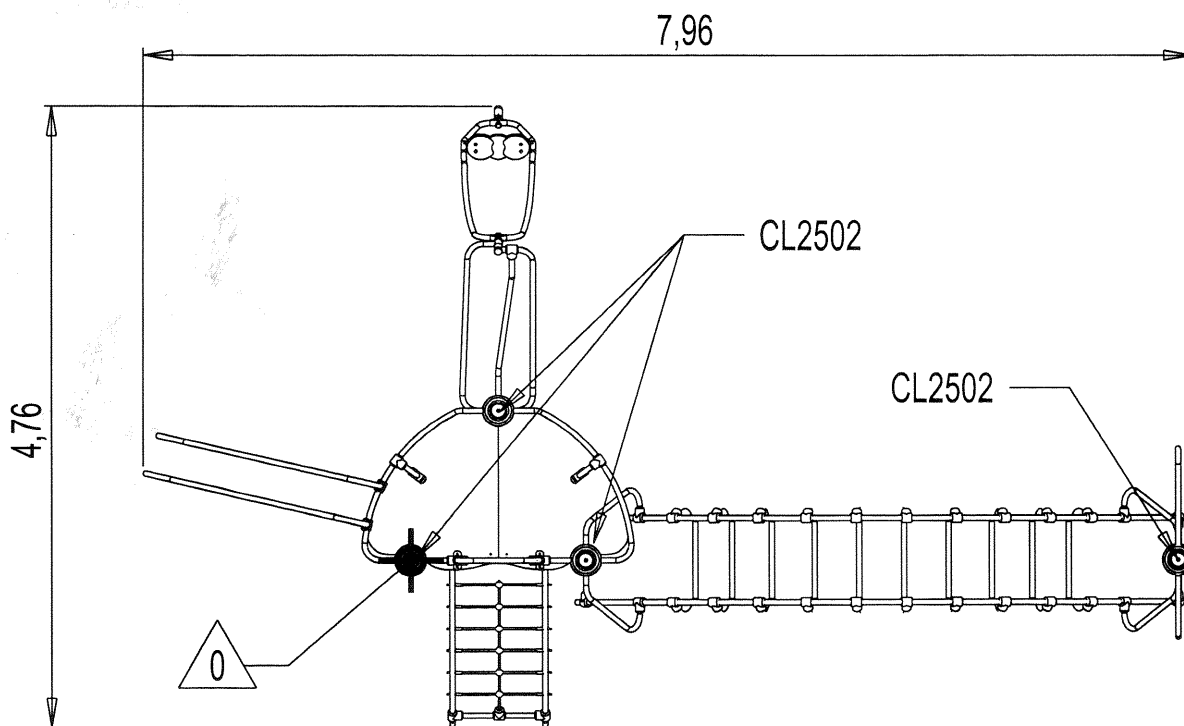
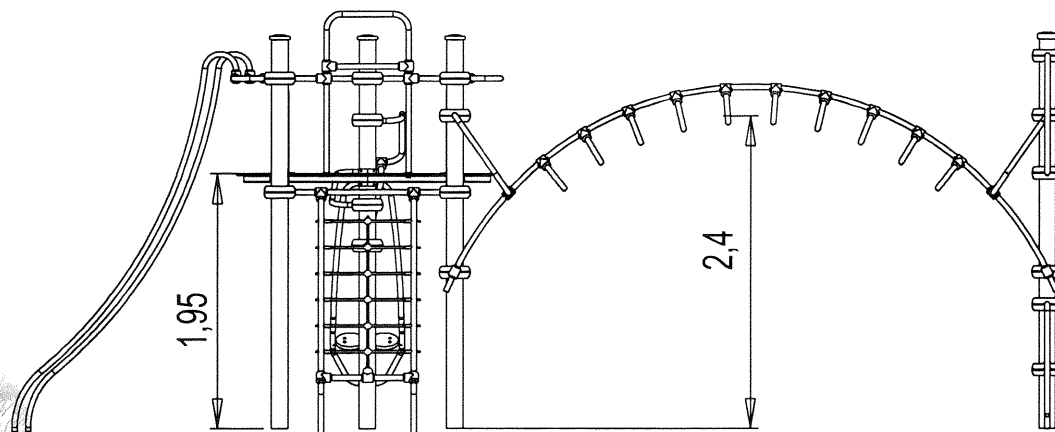
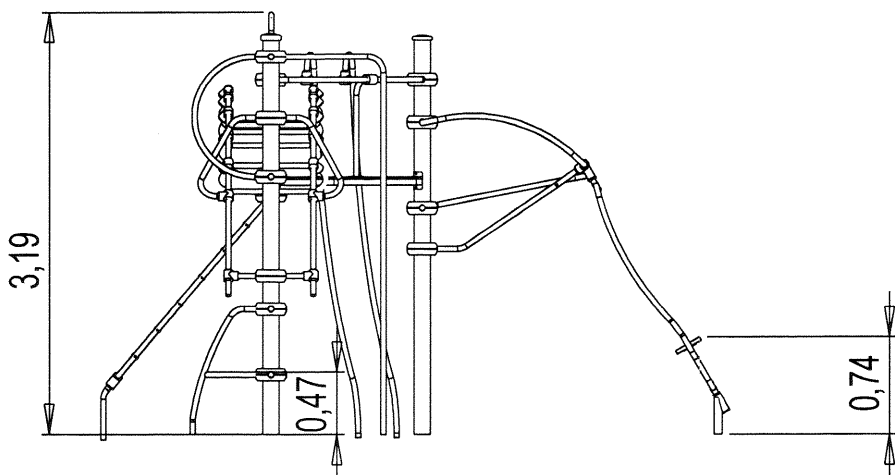
△ 0 Point de Référence
Setting Out Point
Punto de referencia
Bezugspunkt
Referentiepunt



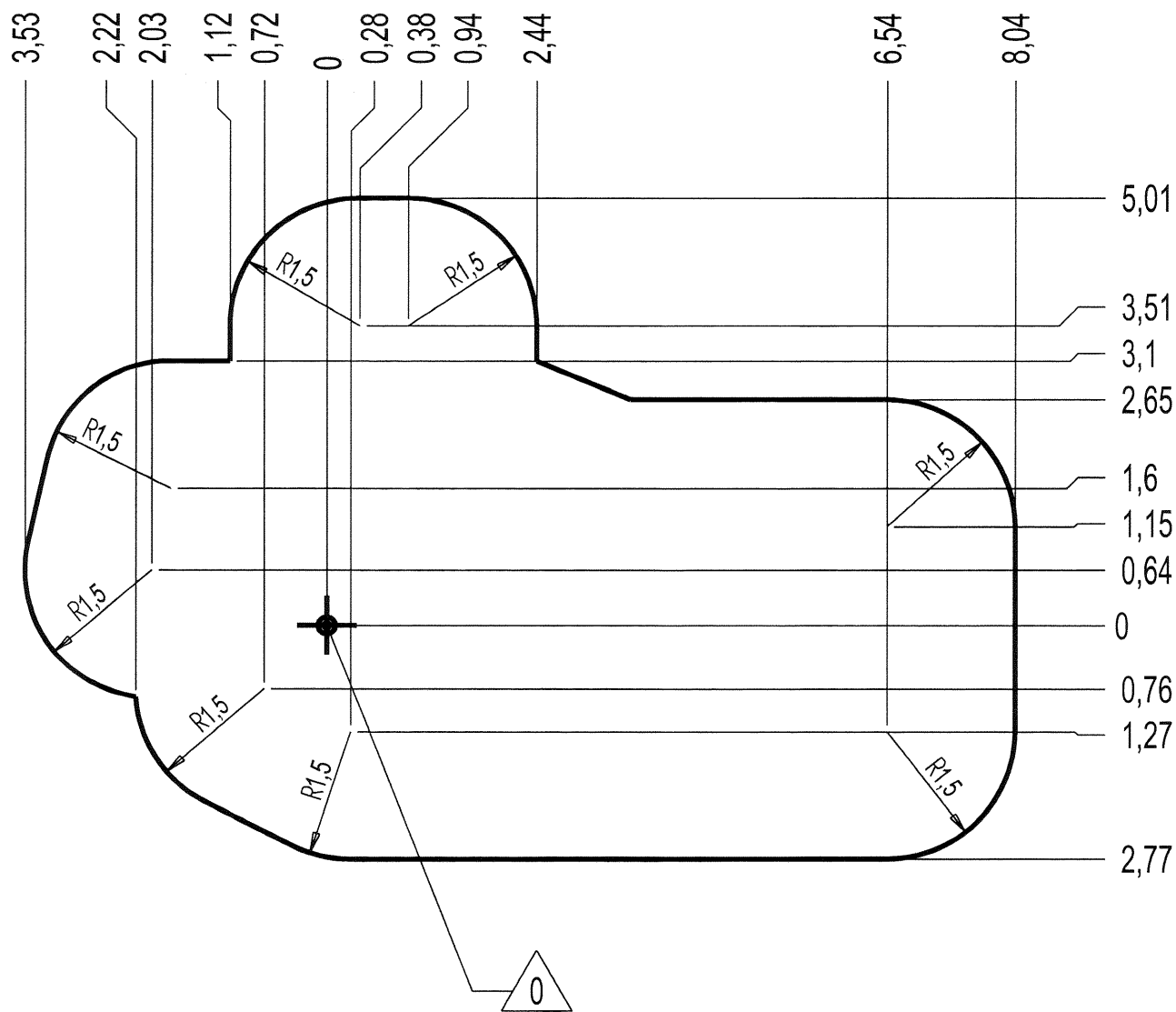
LA000



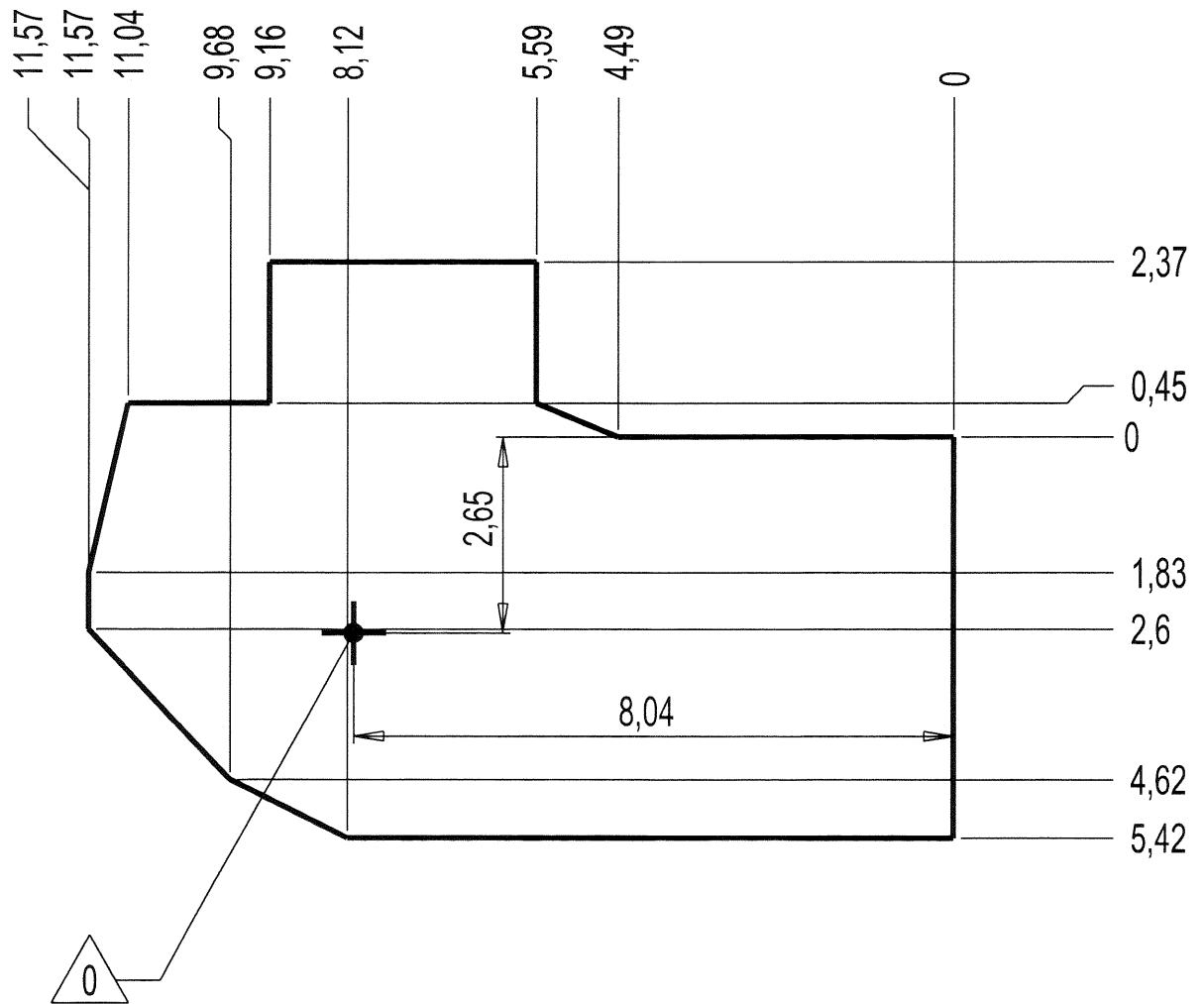
MI0002



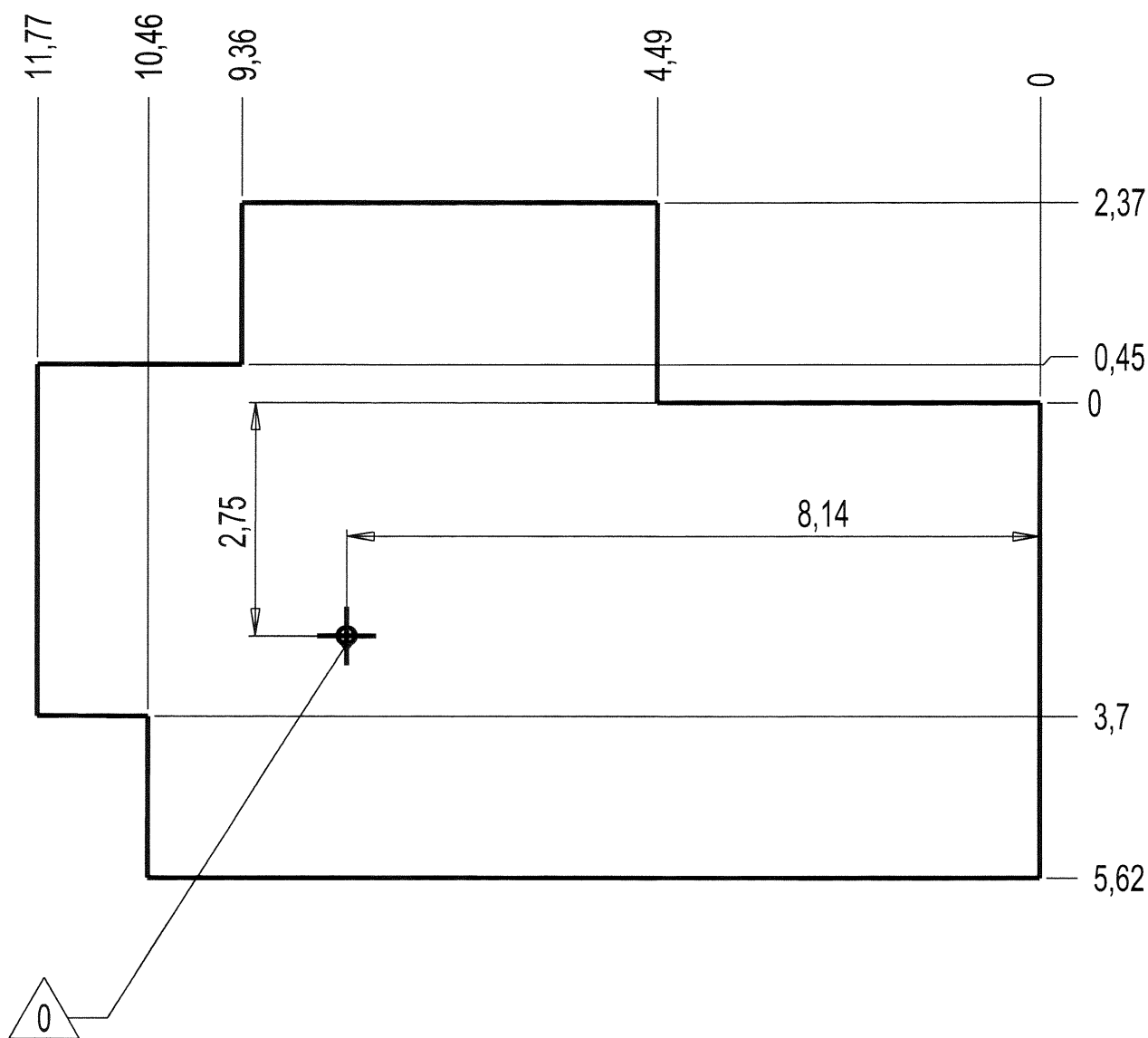
— Zone d' Impact 66.5 m²
 Impact Area
 Area de Impacto
 Fallraum
 Valzone



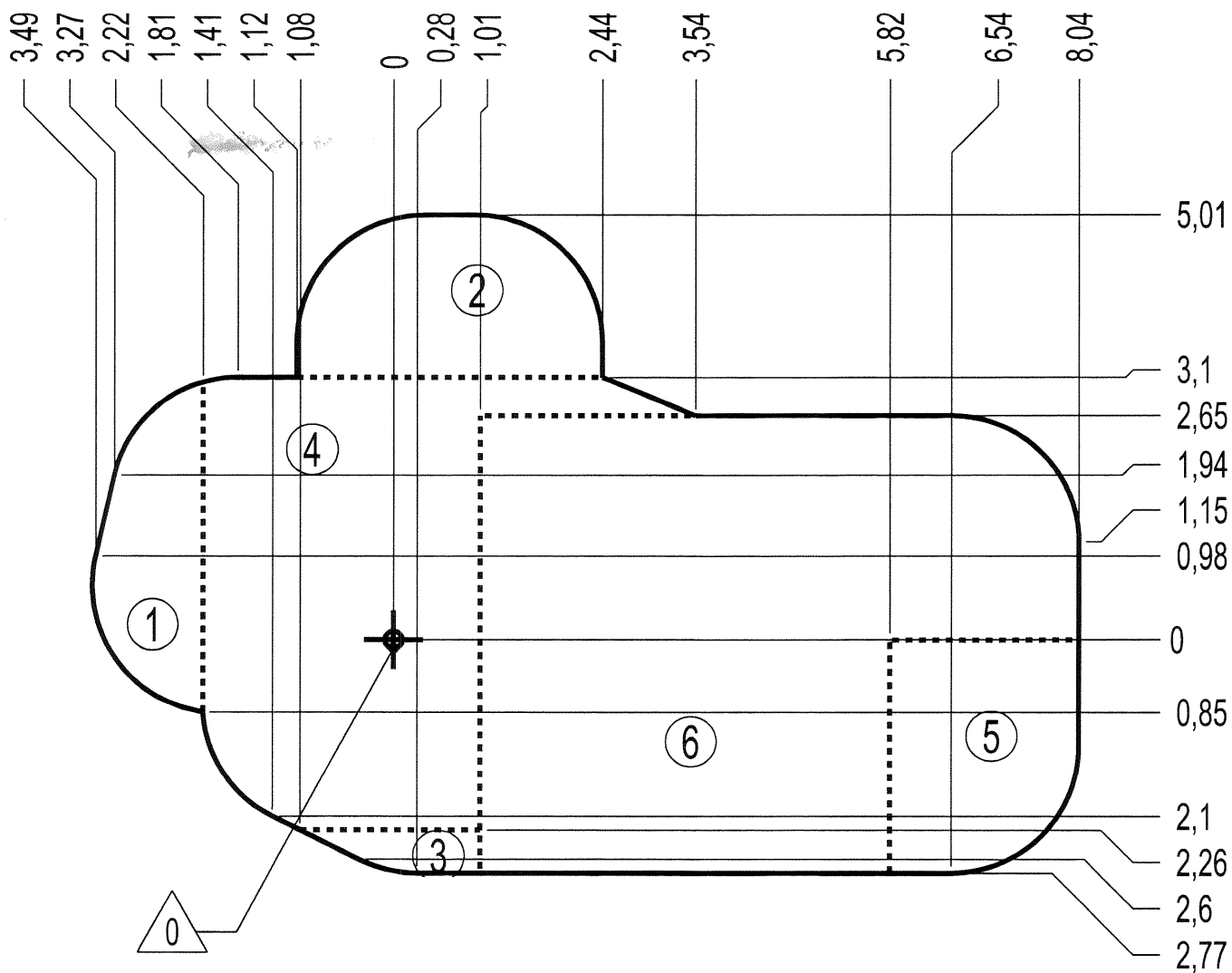
- Dalle béton 36.5 m
- Concrete pad 68 m²
- Solera de Hormigón
- Beton Bodenplatte
- Betonnen bodemplaat



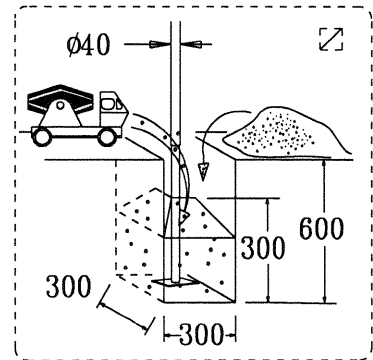
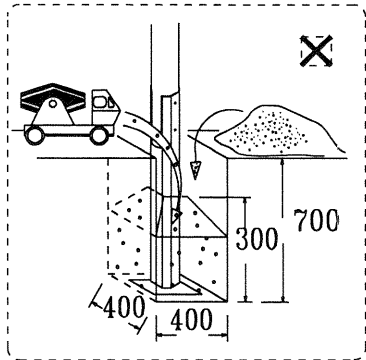
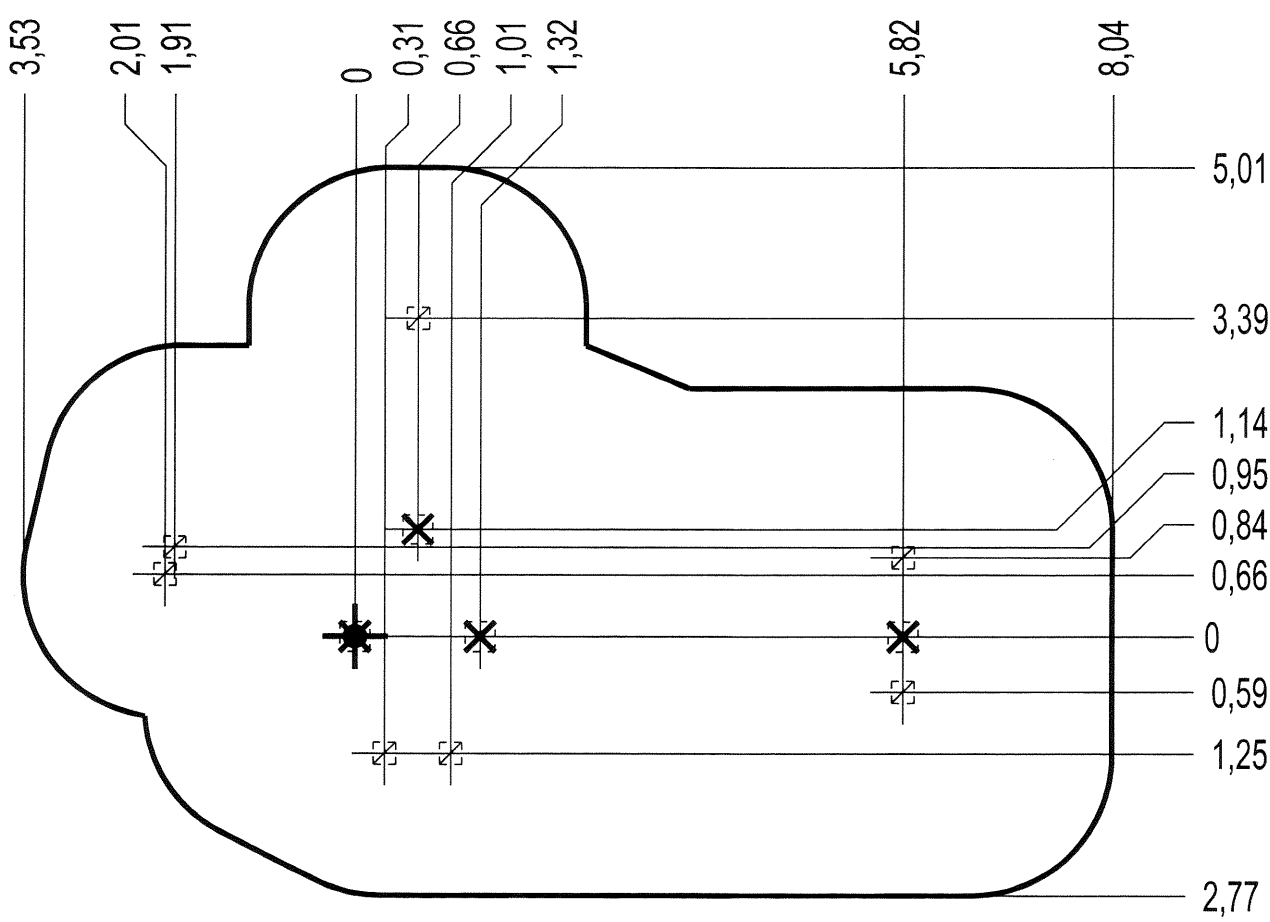
- Sol fluent 39.5 m
- Loose particle material 76.5 m²
- Arenero
- Loses Bodenmaterial
- Los bodenmaterial






— Sol souple 66.5 m²
 Wetpour
 Caucho Continuo
 Synthetischer Fallschutz
 Gietvloer

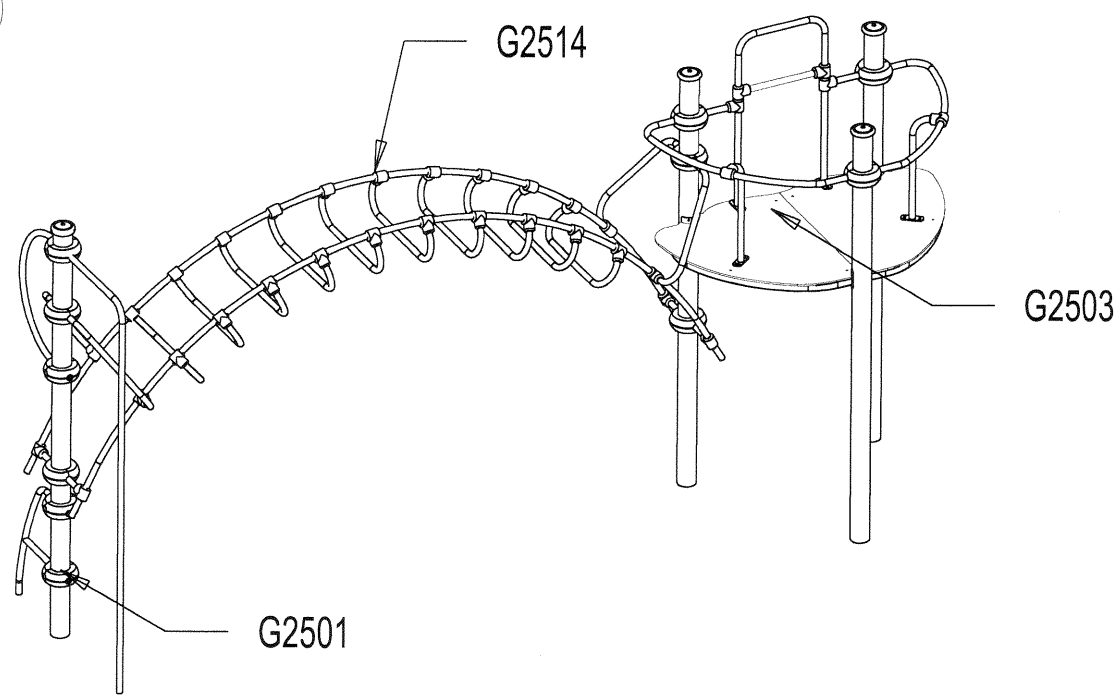


Implantation
 Footing plan
 Implantación
 Fundamentplan
 Funderingstekening

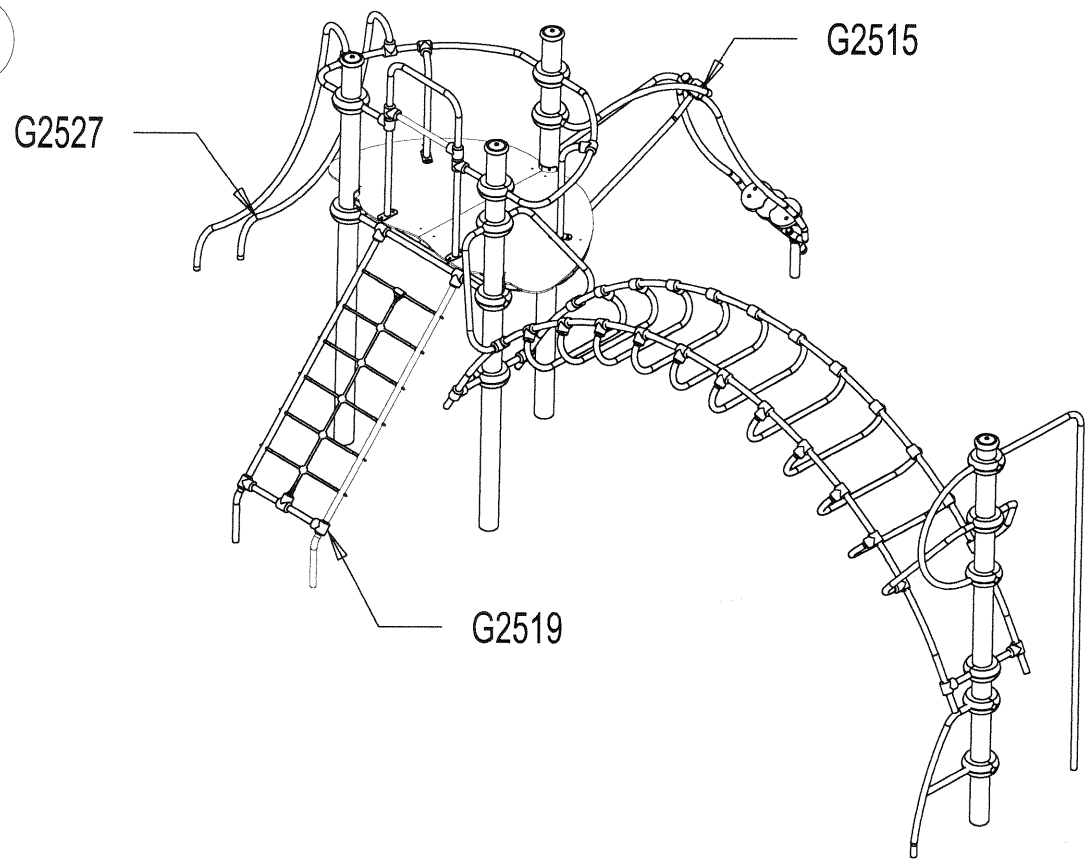


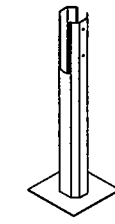
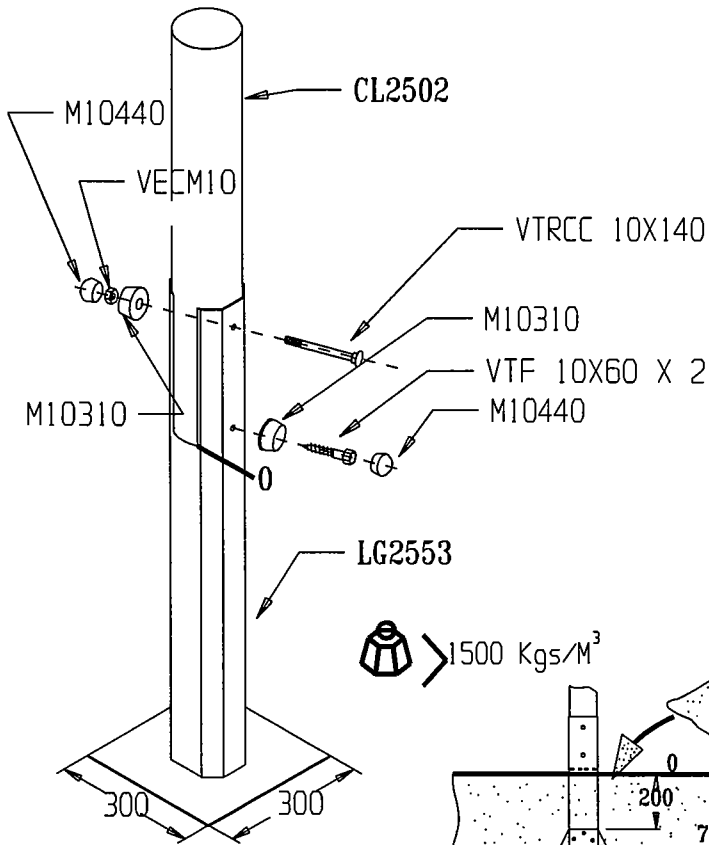
 x2	 17H	 0.4m ³
---	---	---

1



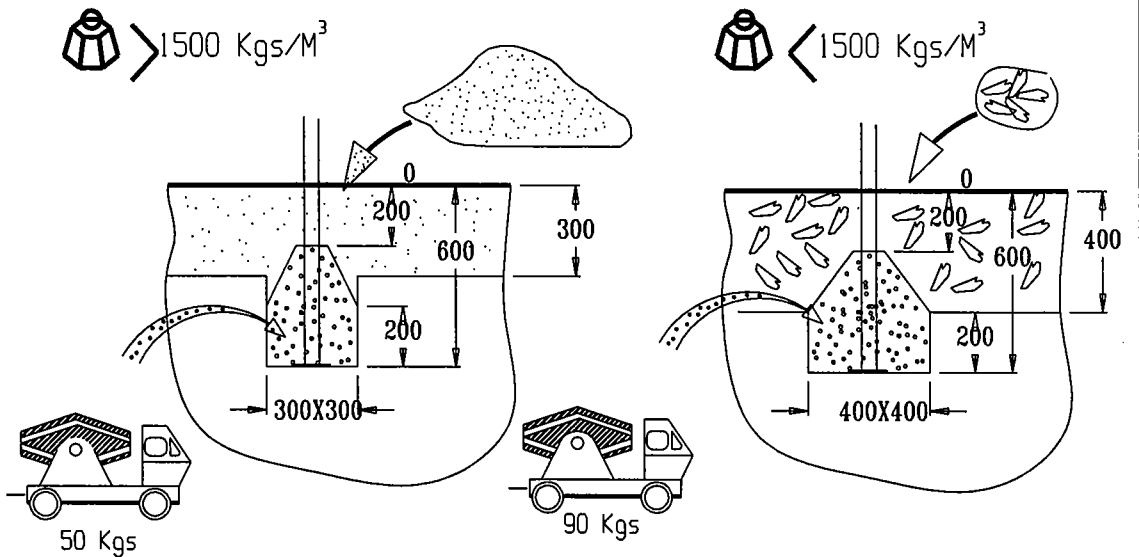
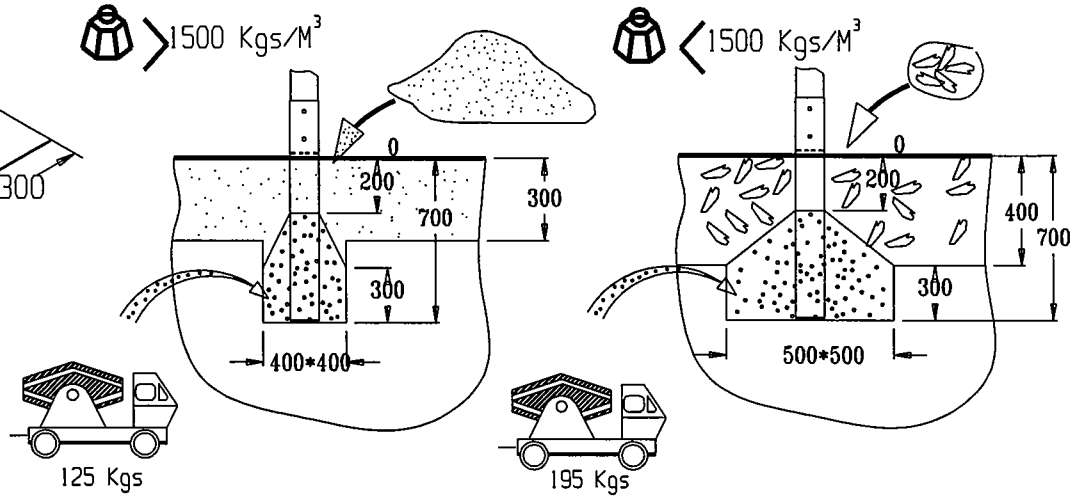
2



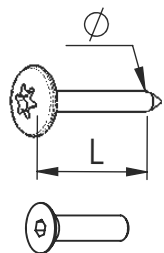


LG2553 X 1

	VTRCC 10x140	1
	VECM10	1
	VTF 10x60	2
	M10310	3
	M10440	3



LI..... X 1



VBT 6 x 30
 \varnothing \uparrow L (mm)

VFHC



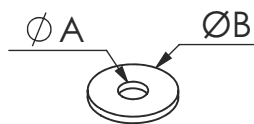
VEC M10
 \varnothing



VEF



VEB

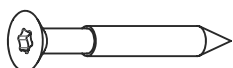


VR6x18
 $\varnothing A$ $\varnothing B$

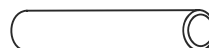
1000 - 1800 tr/min
 Vitesse de rotation
 Rotation speed

14 N.m
 Couple de rupture
 Torque of break

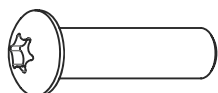
VTHA



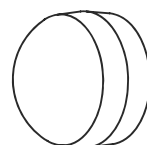
VWT



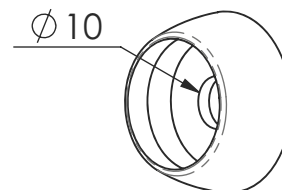
VGC



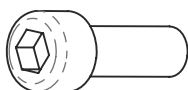
VCBHC



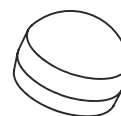
M10 440N



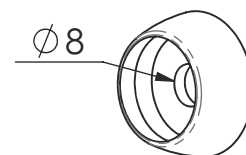
M10 310 N



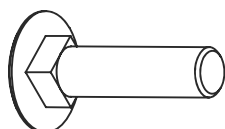
VBTR



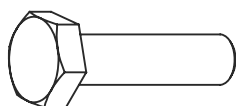
M8440N



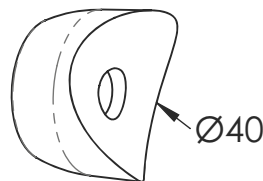
M8310N



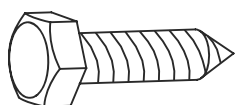
VTRCC



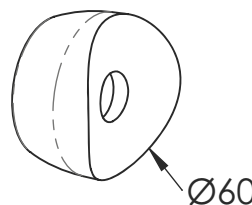
VTH



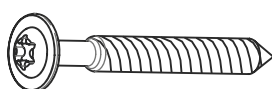
MI2503



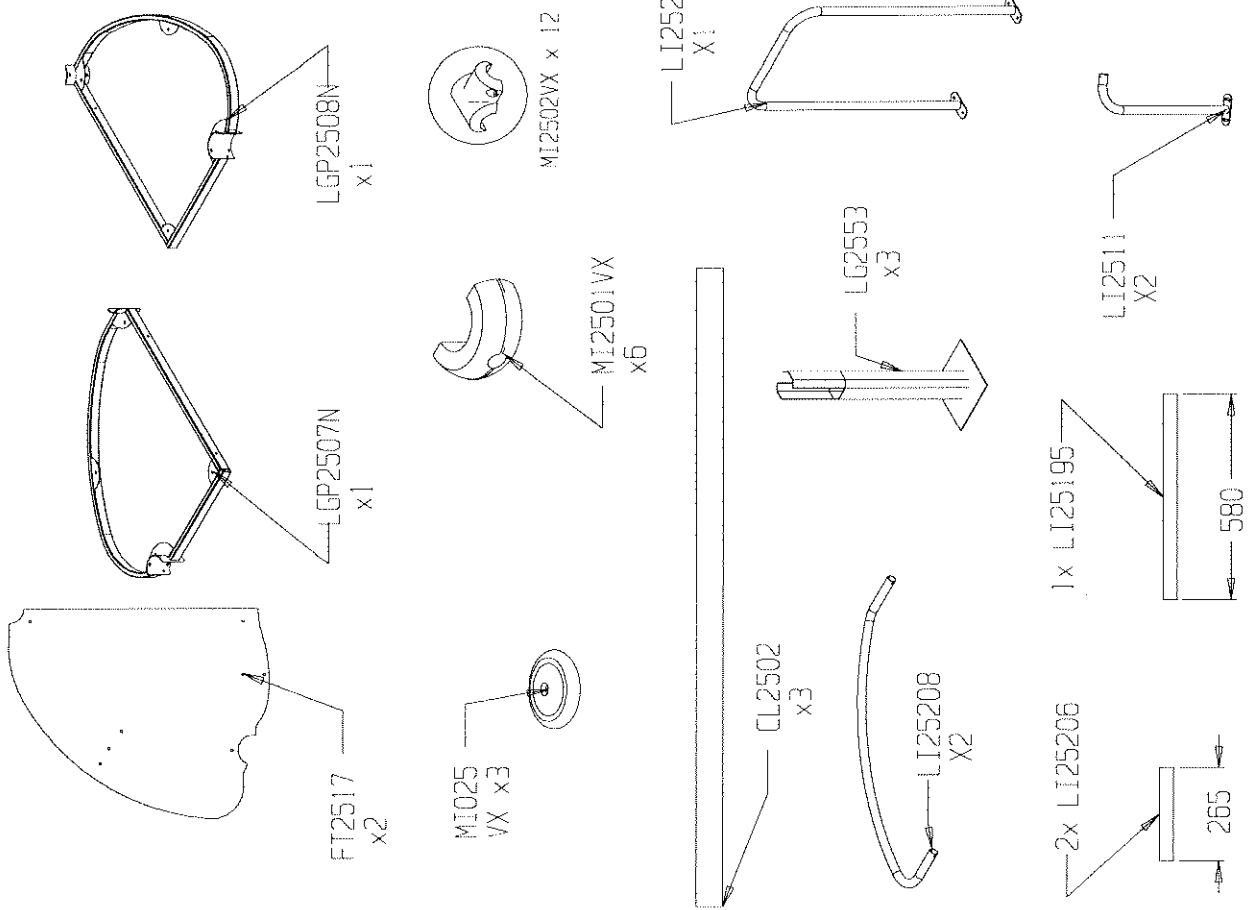
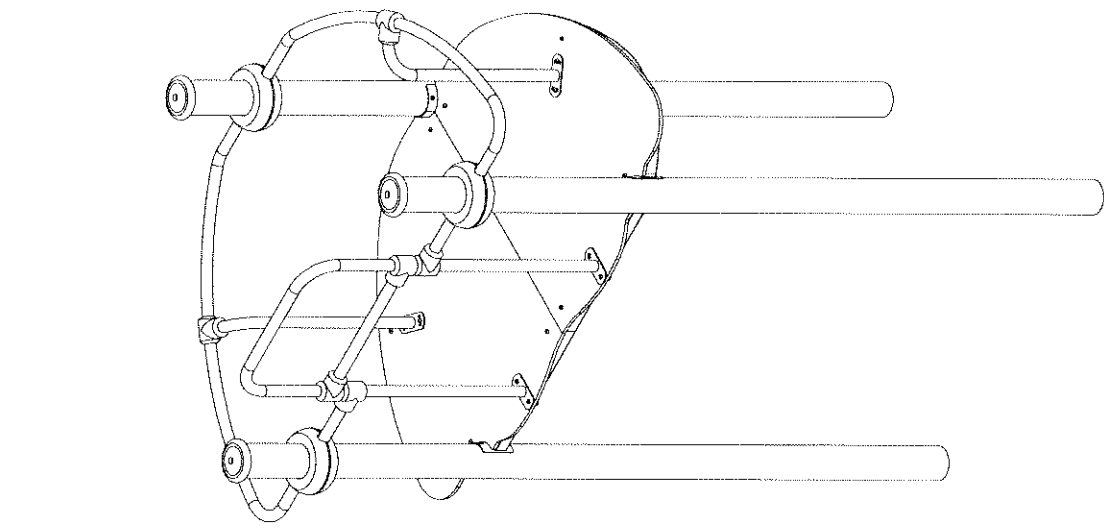
VTF

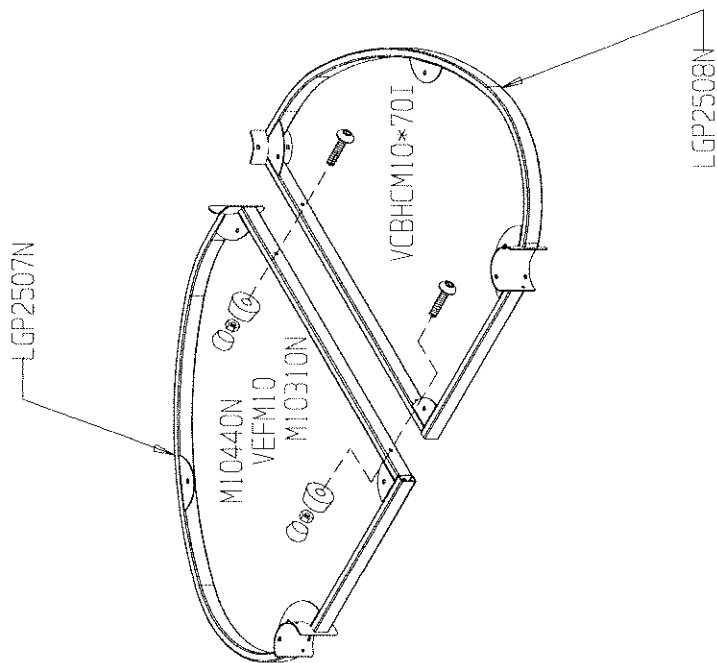





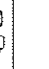
MI2701

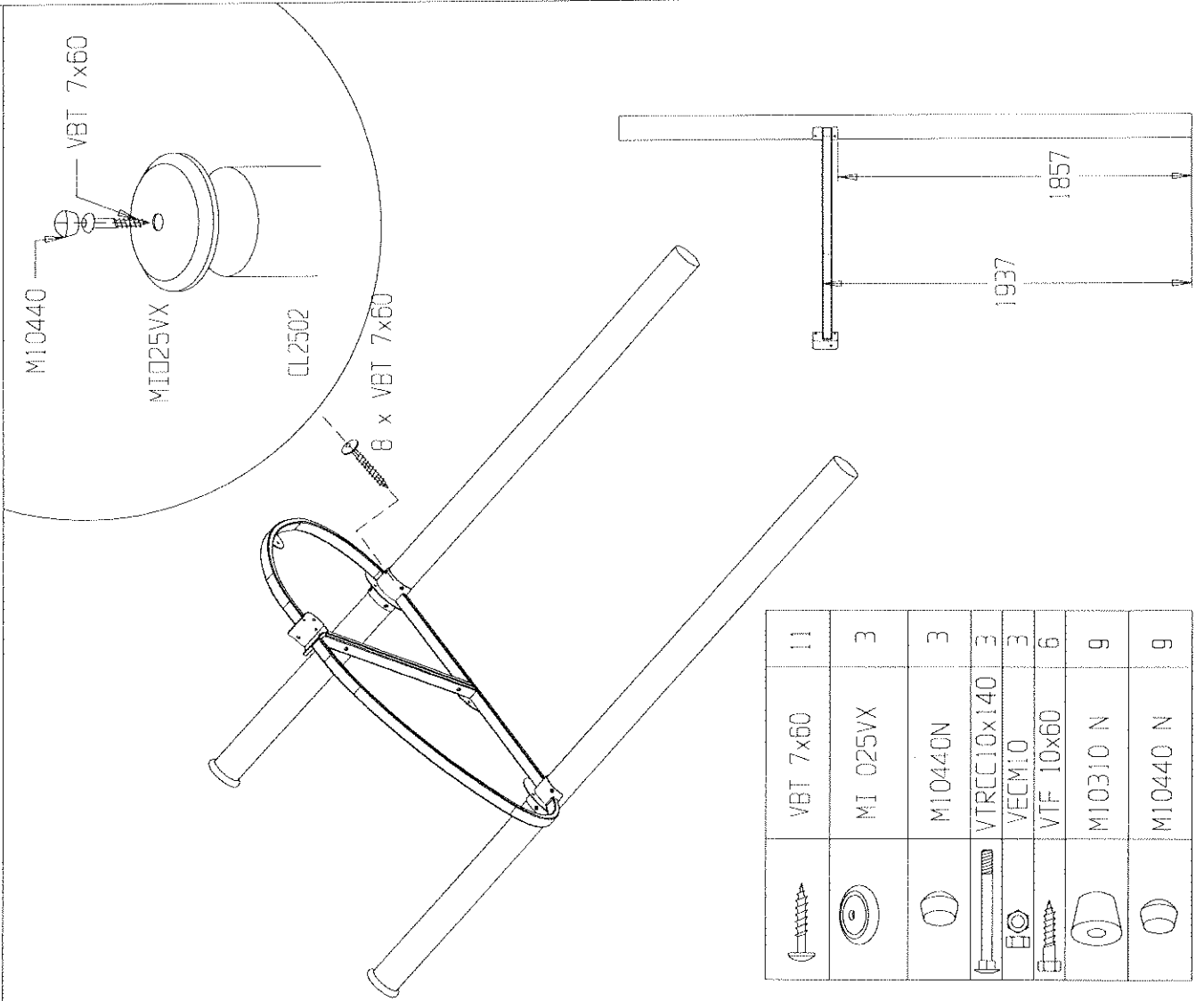










VBT

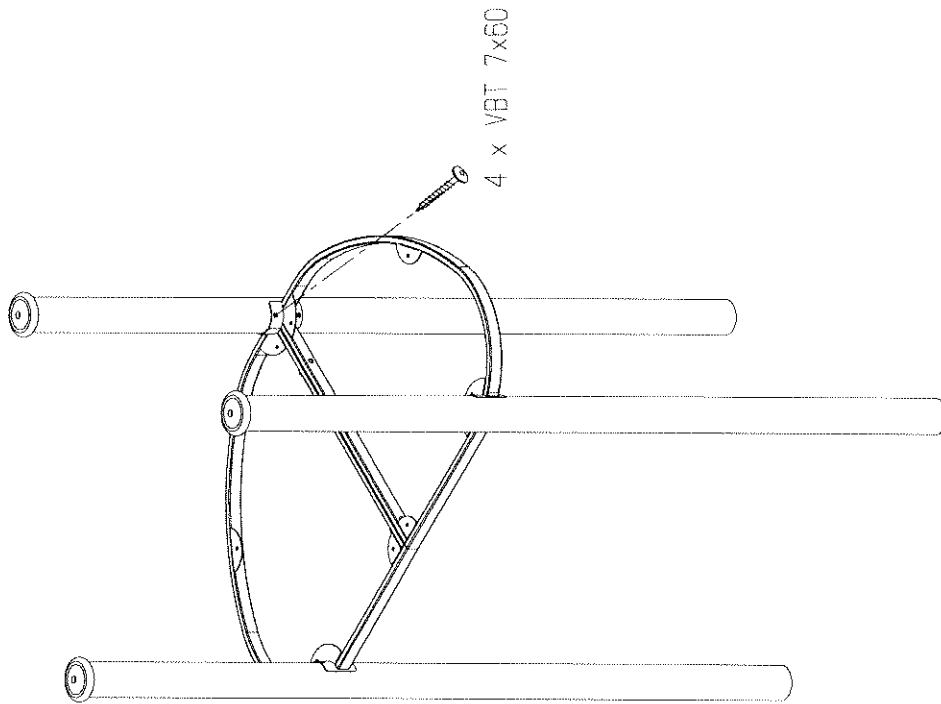





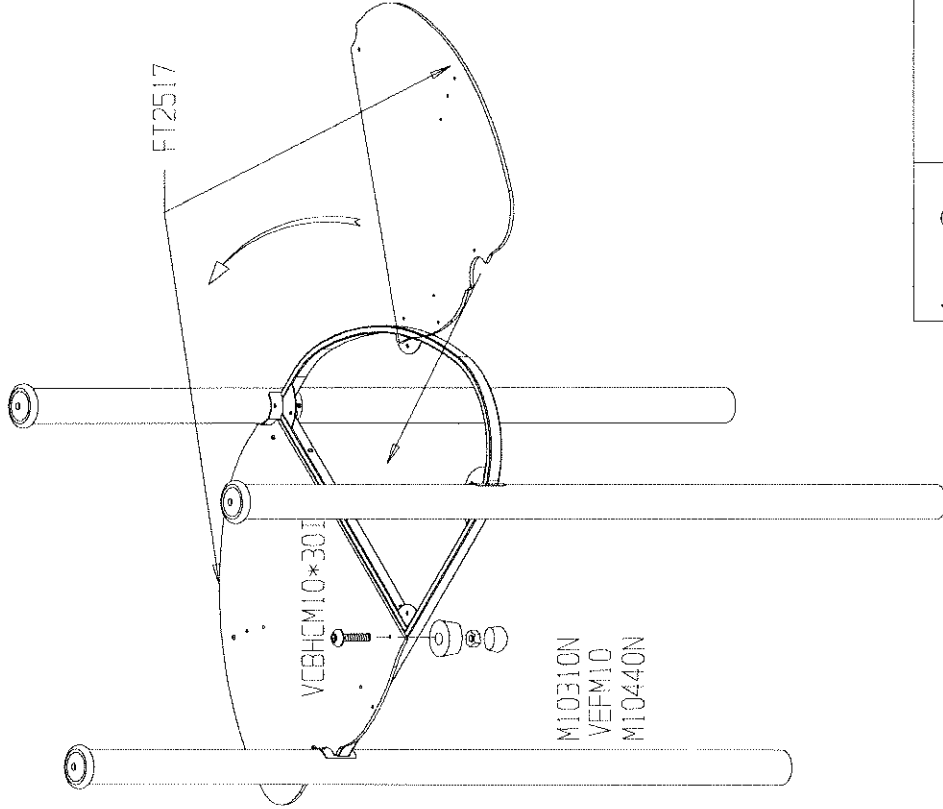
	M10310N	2
	M10440N	2
	VCBHCM10*70I	2
	VEFM10	2







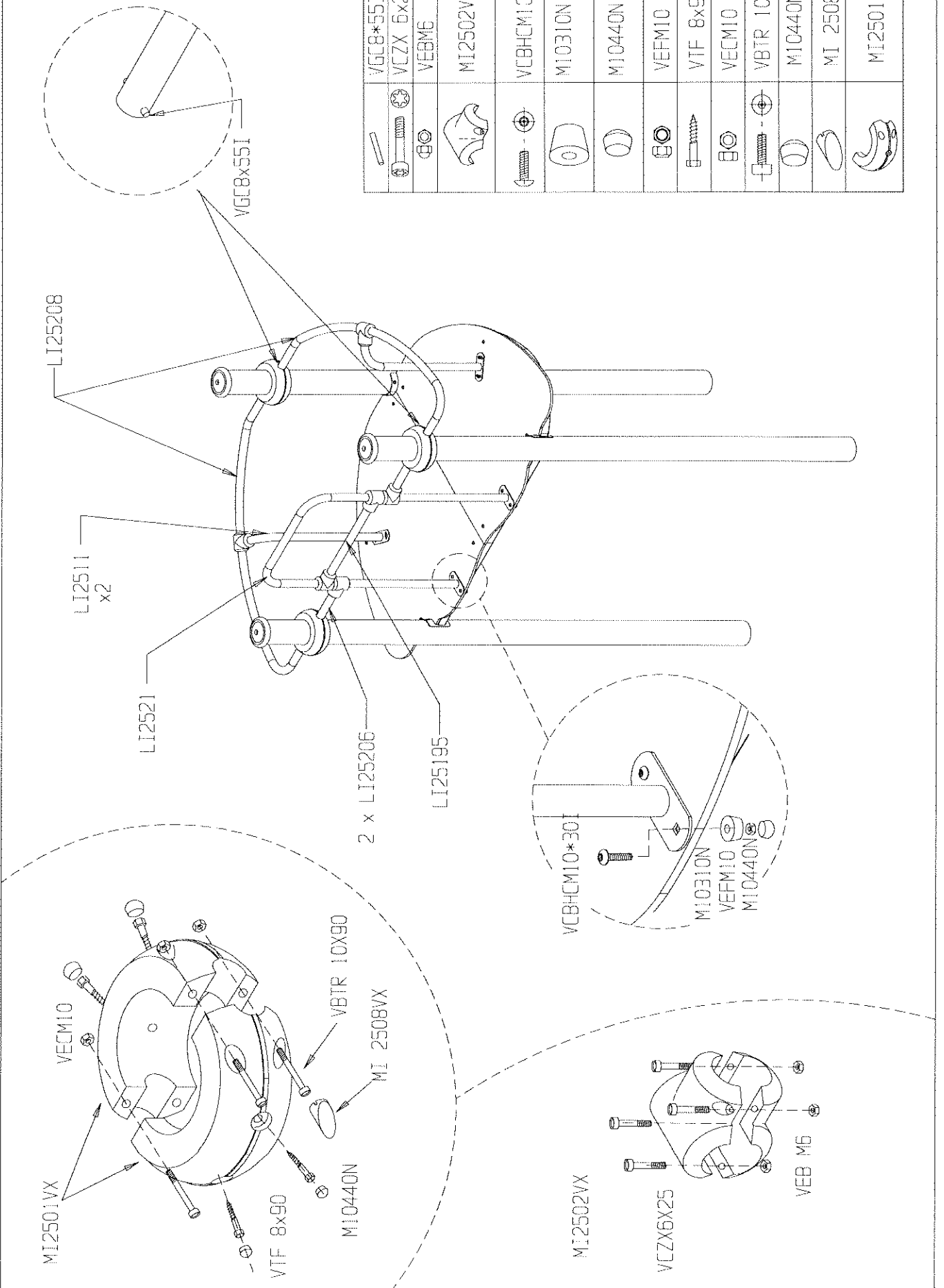
	VBT 7x60	11
	MI 025VX	3
	M10440N	3
	VTRECC10x140	3
	VECM10	3
	VTF 10x60	6
	M10310 N	9
	M10440 N	9



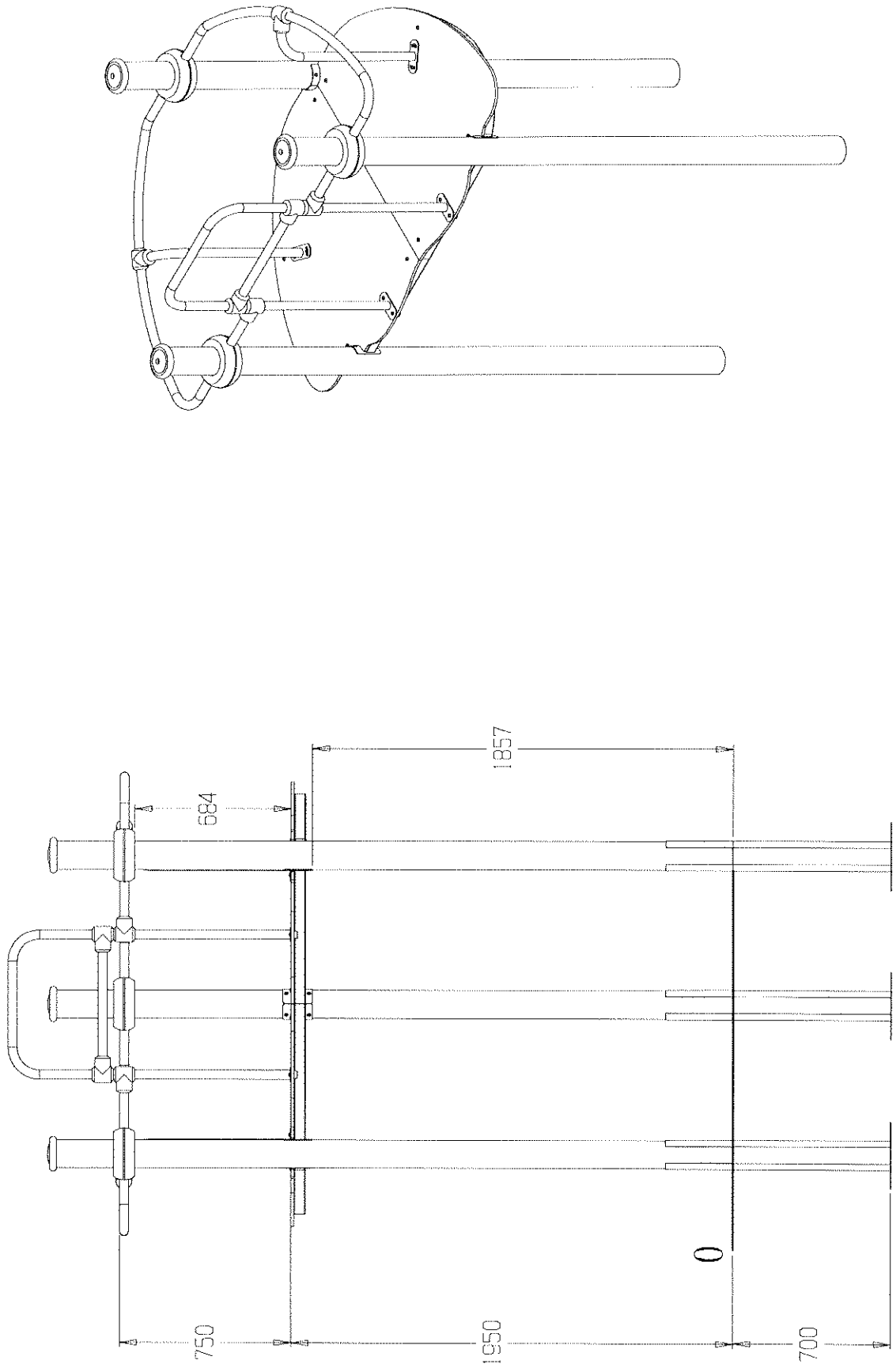
	VBT 7x60	4
---	----------	---

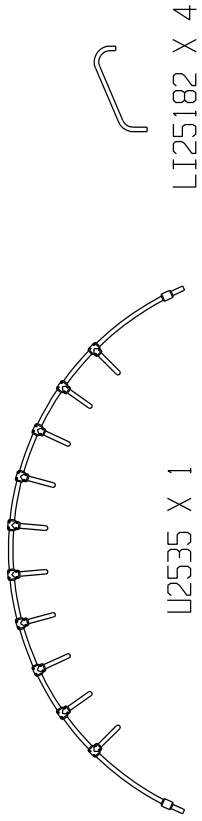
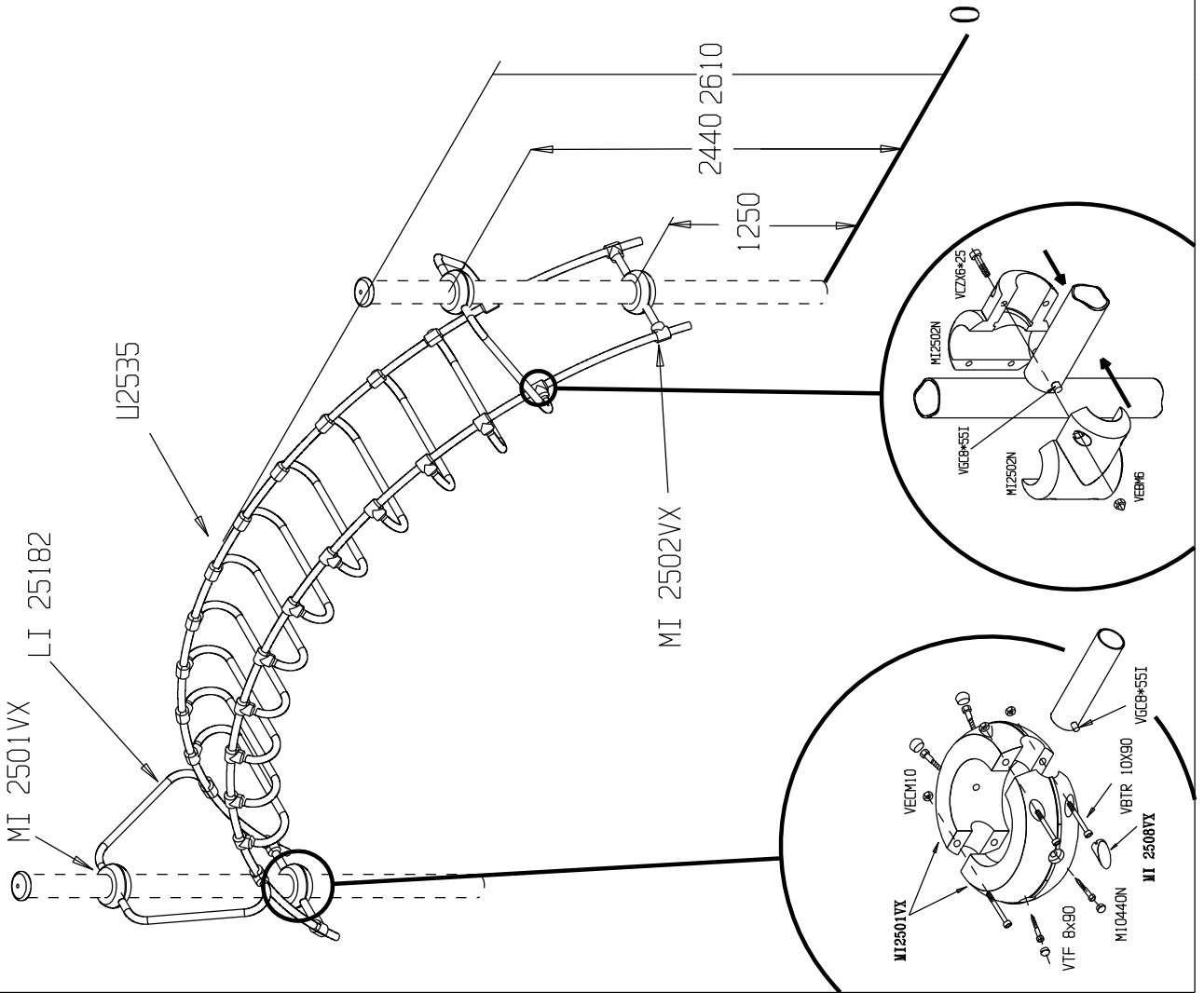


	VCBHC10*30I	8
	M10310N	8
	M10440N	8
	VEFM10	8



	VGC8*55I	4
	VCZX 6x25	24
	VEBM6	24
	MI2502VX	12
	VCBHCMI0*30I	10
	M10310N	10
	M10440N	10
	VEFM10	10
	VTF 8x90	12
	VECM10	12
	VBTR 10x90	12
	M10440N	12
	MI 2508VX	24
	MI2501VX	6

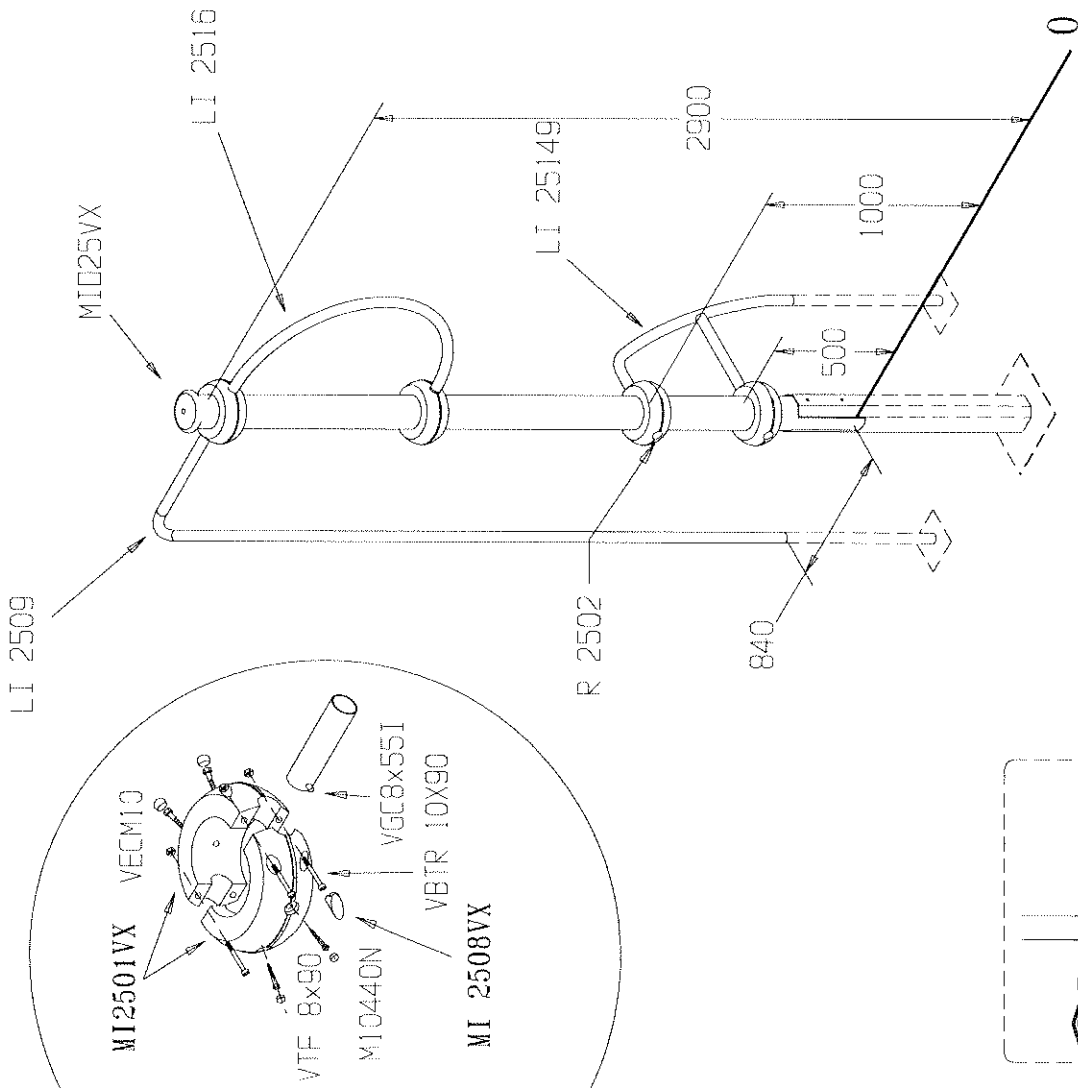




MI2501VX X 8

MI2502VX X 8

	VGC8*55I	12
	VTF 8x90	16
	VBTR 10x90	16
	VCZX 6x25	16
	M10440N	16
	VECM10	16
	VEBM6	16
	MI 2508VX	32



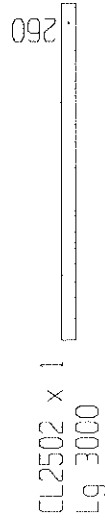
MI2501VX x 8



MID25VX x 1



LI2516 x 1



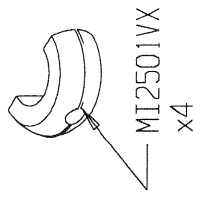
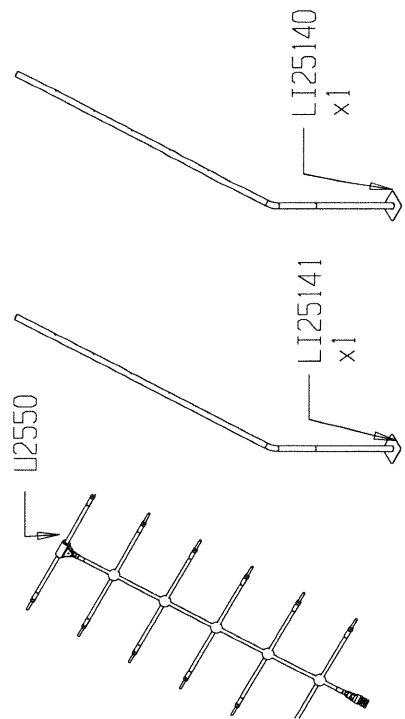
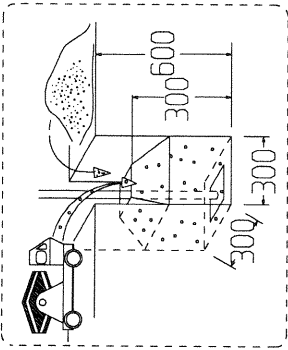
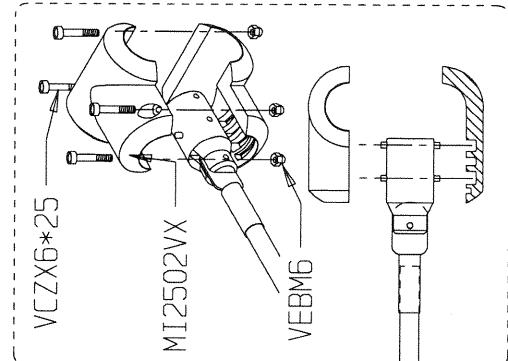
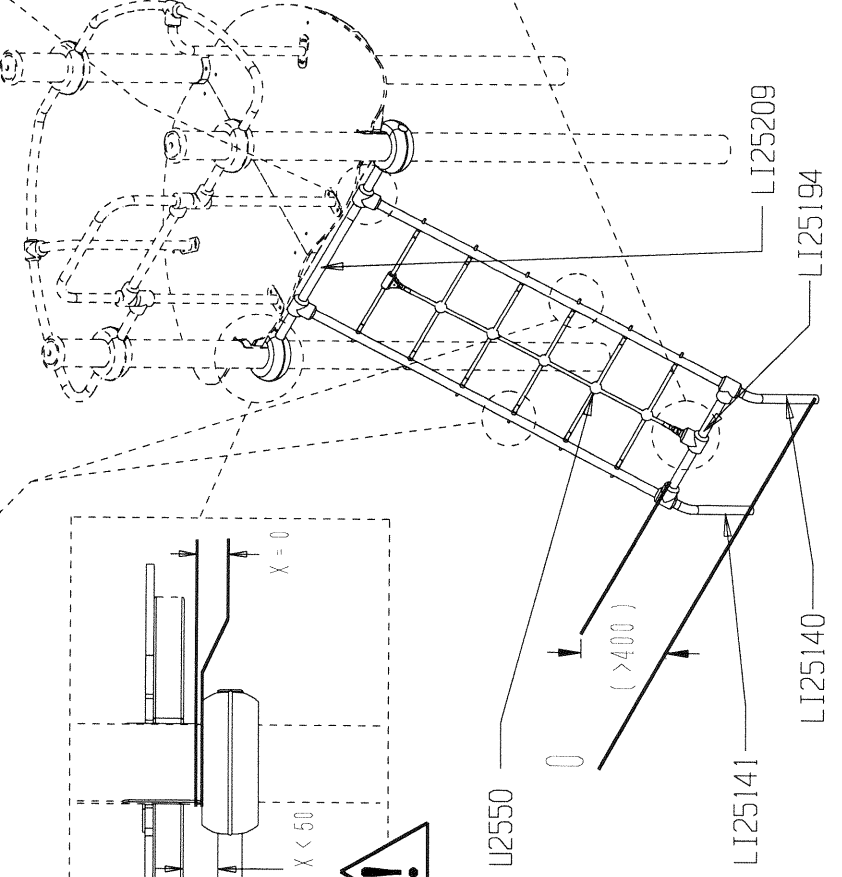
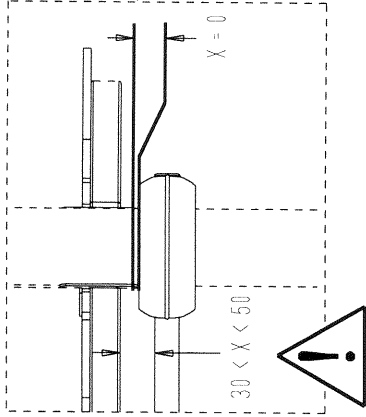
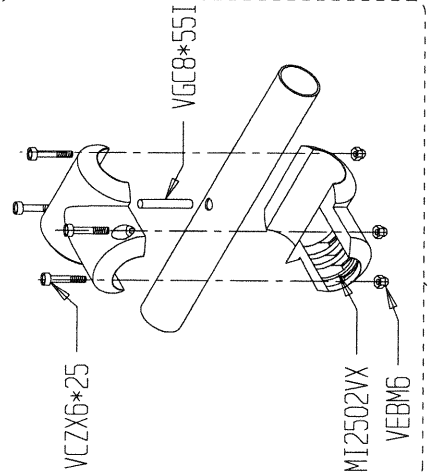
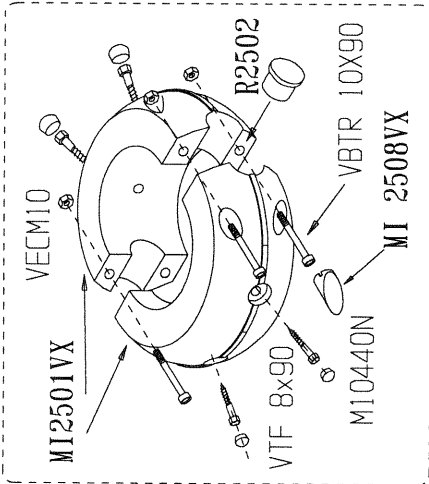
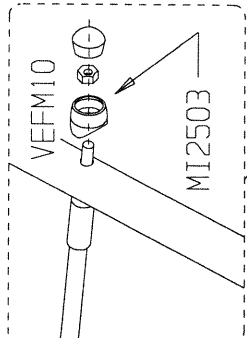
	VGC8*55I	3
	VBTR 7x60	1
	VTF 8x90	16
	VTF 10x60	2
	VTRCC10x140	1
	M10440N	20
	M10310N	3
	VECM10	17
	VBTR 10x90	16
	MI 2508VX	32
	R 2502	3



LI25149 x 1



LG2553 x 1

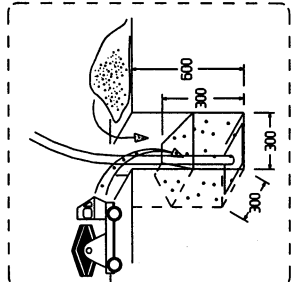
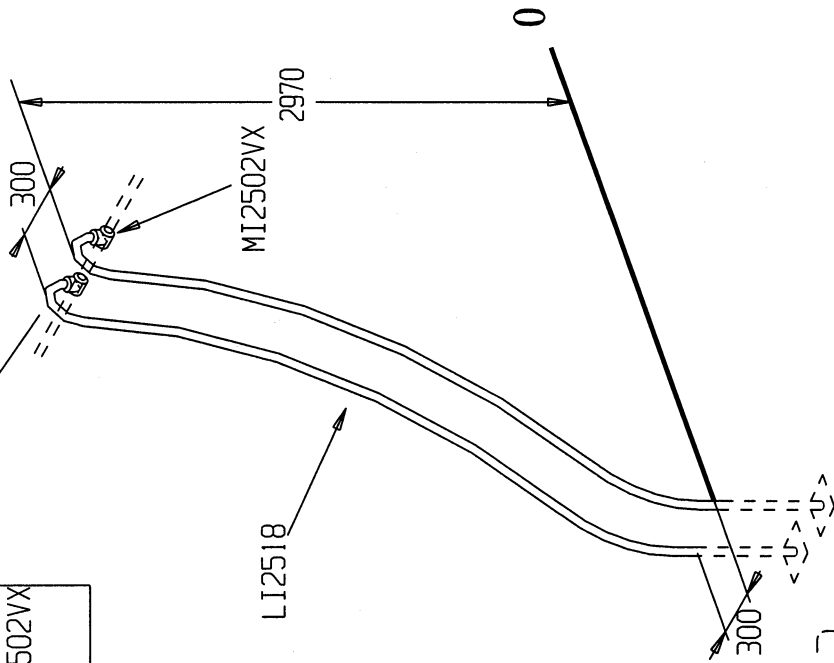
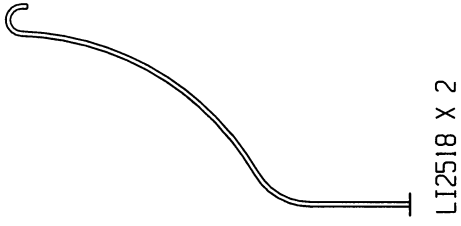
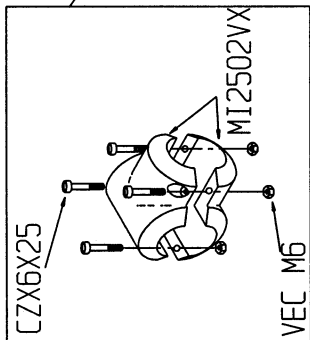


	R 2502	2
	VTF 8x90	8
	VECM10	8
	VBTR 10x90	8
	M10440N	8
	MI 2508VX	16
	VGC8*55I	2
	VCZX 6x25	20
	VEBM6	20
	M10440N	12
	MI2503N	12
	VEFM10	12

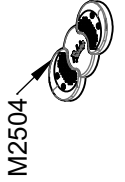
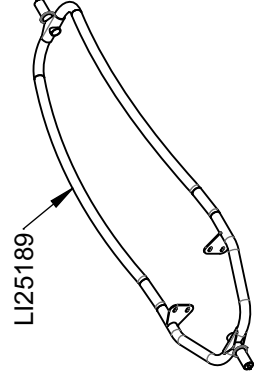
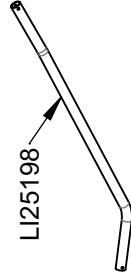
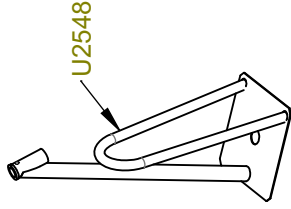
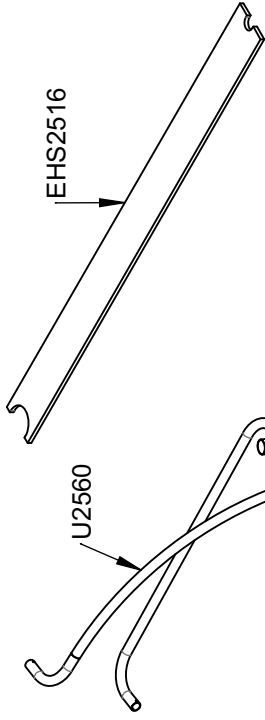
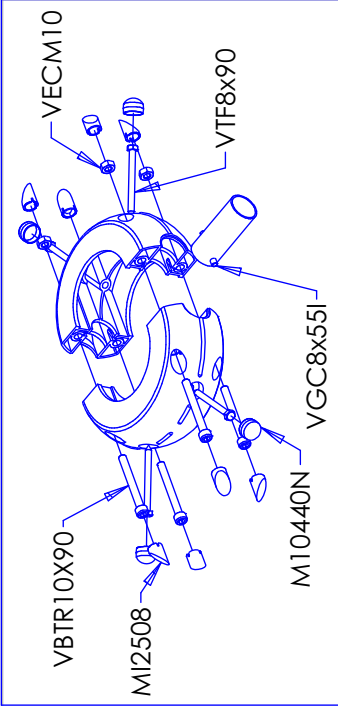
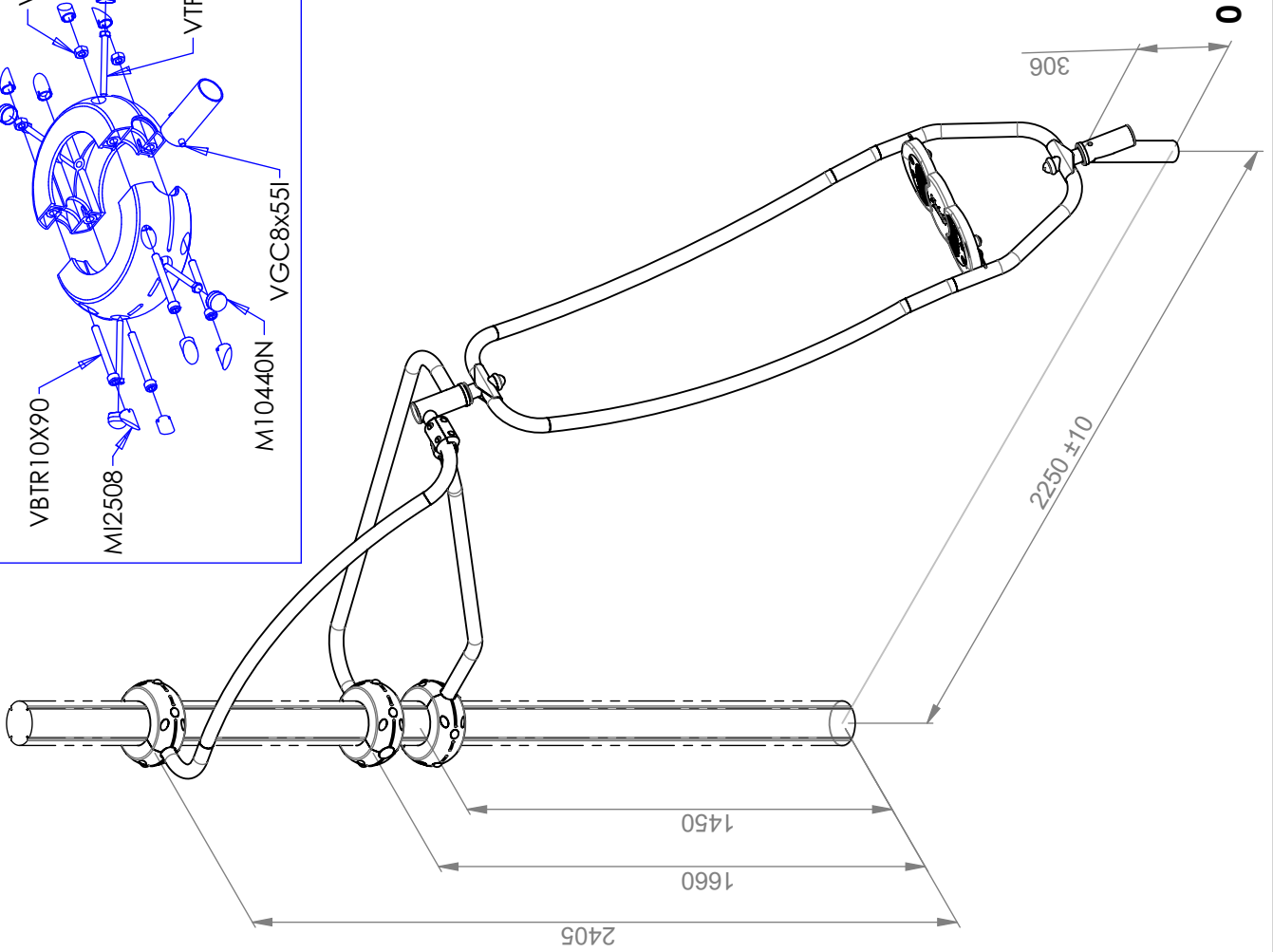
G 2527

Provaldic

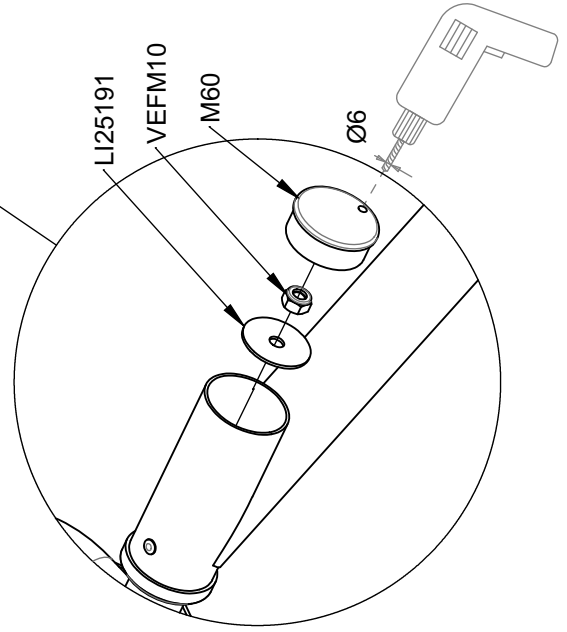
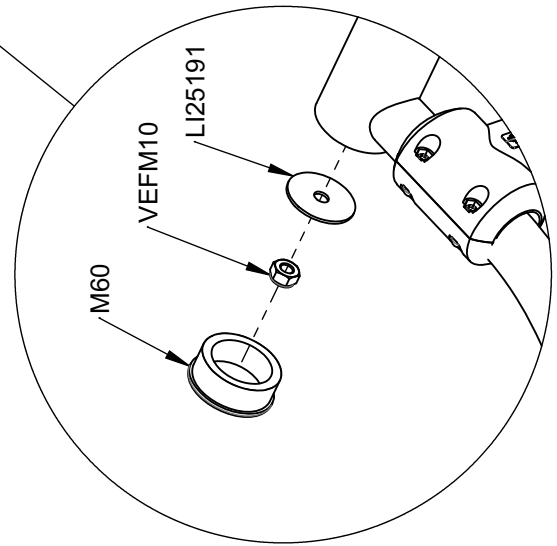
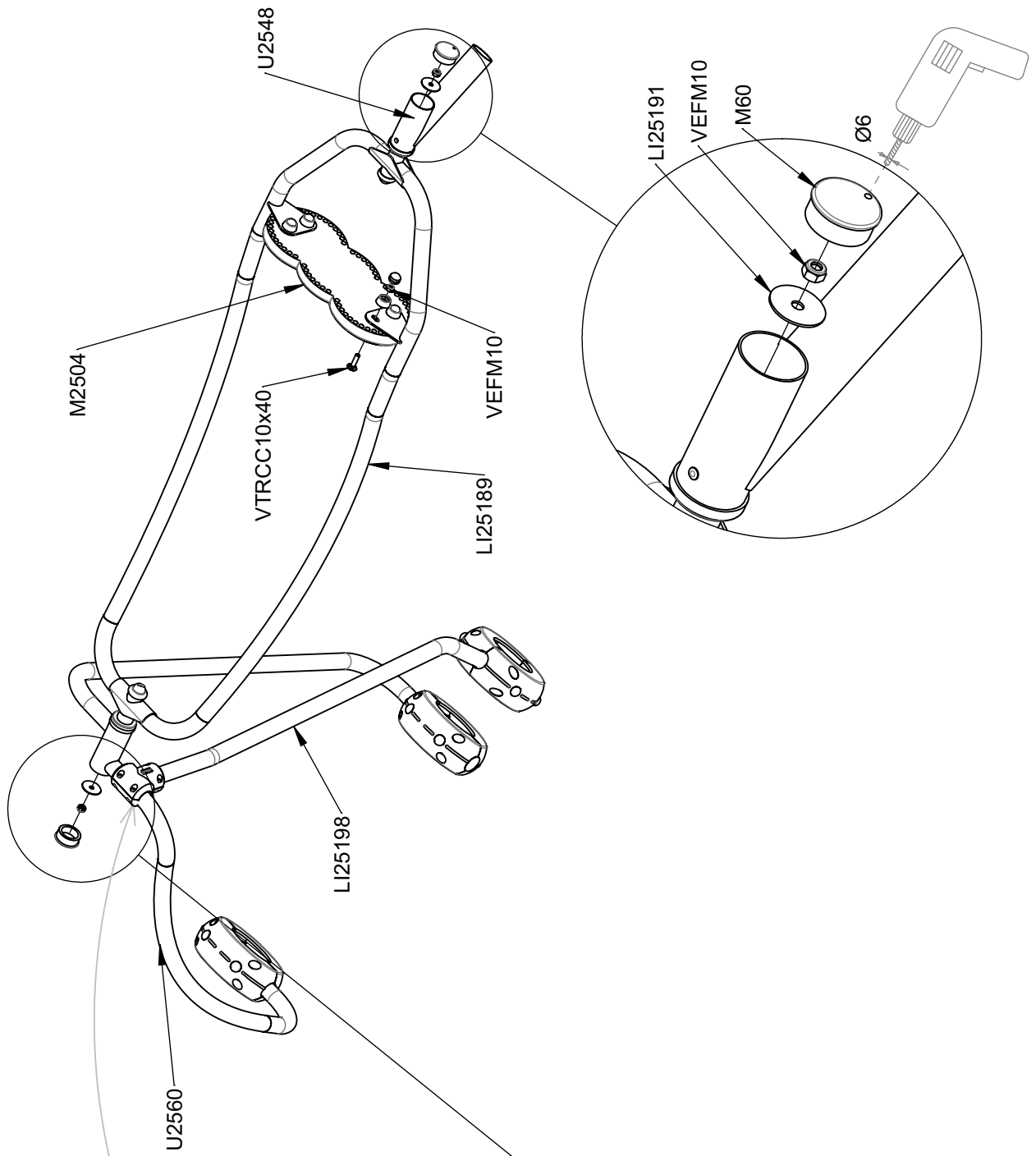
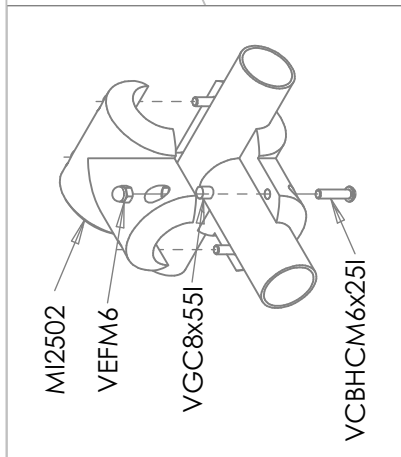
17-11-98



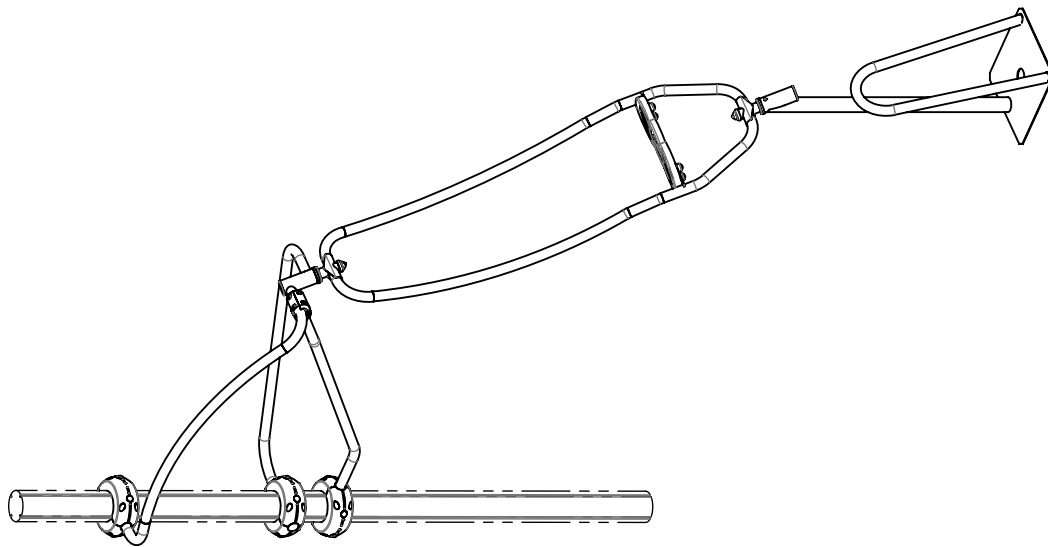
⊕	VECM6	8
⊕	VCZX 6x25	8



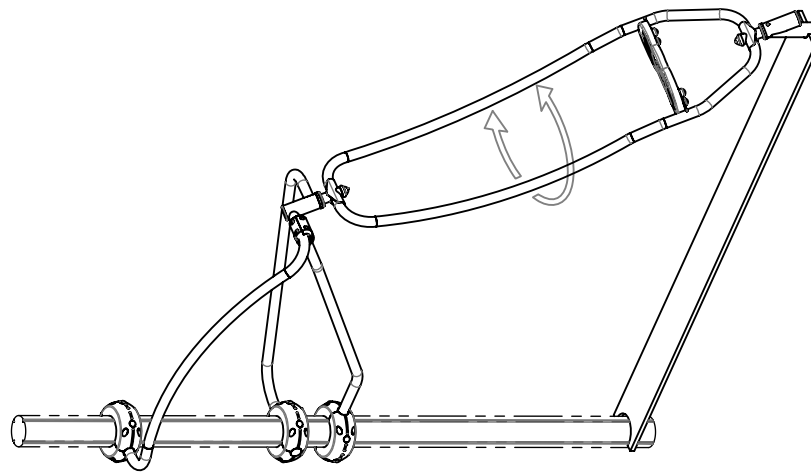
Réf	Qté
LI25189	1
LI25191	2
LI25198	1
M60	2
M2504	1
M10310N	4
M10440N	16
M12501VX	6
M12502VX	2
M12508	24
M12510N	2
R2502	3
U2548	1
U2560	1
VBTR10X90	12
VCBHC6x25I	4
VEBM6	4
VECM10	12
VEFM10	6
VGC8x55I	2
VTF8x90	12
VTRCC10x40	4



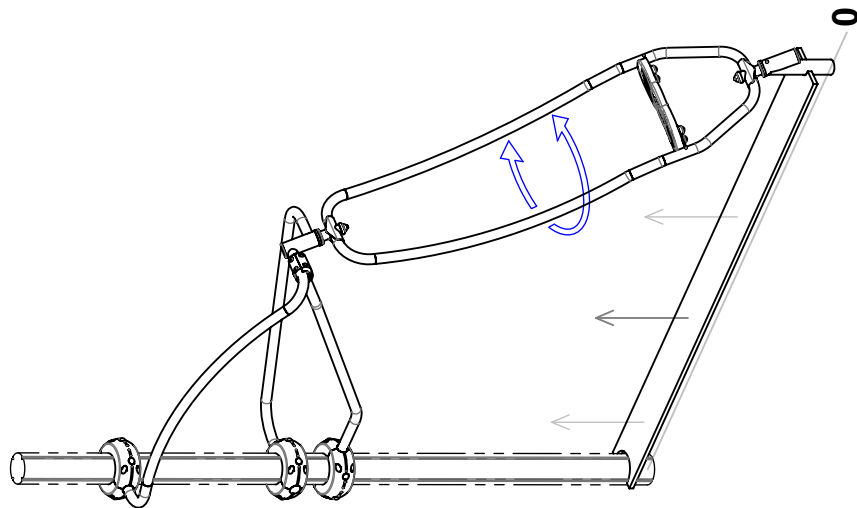
①

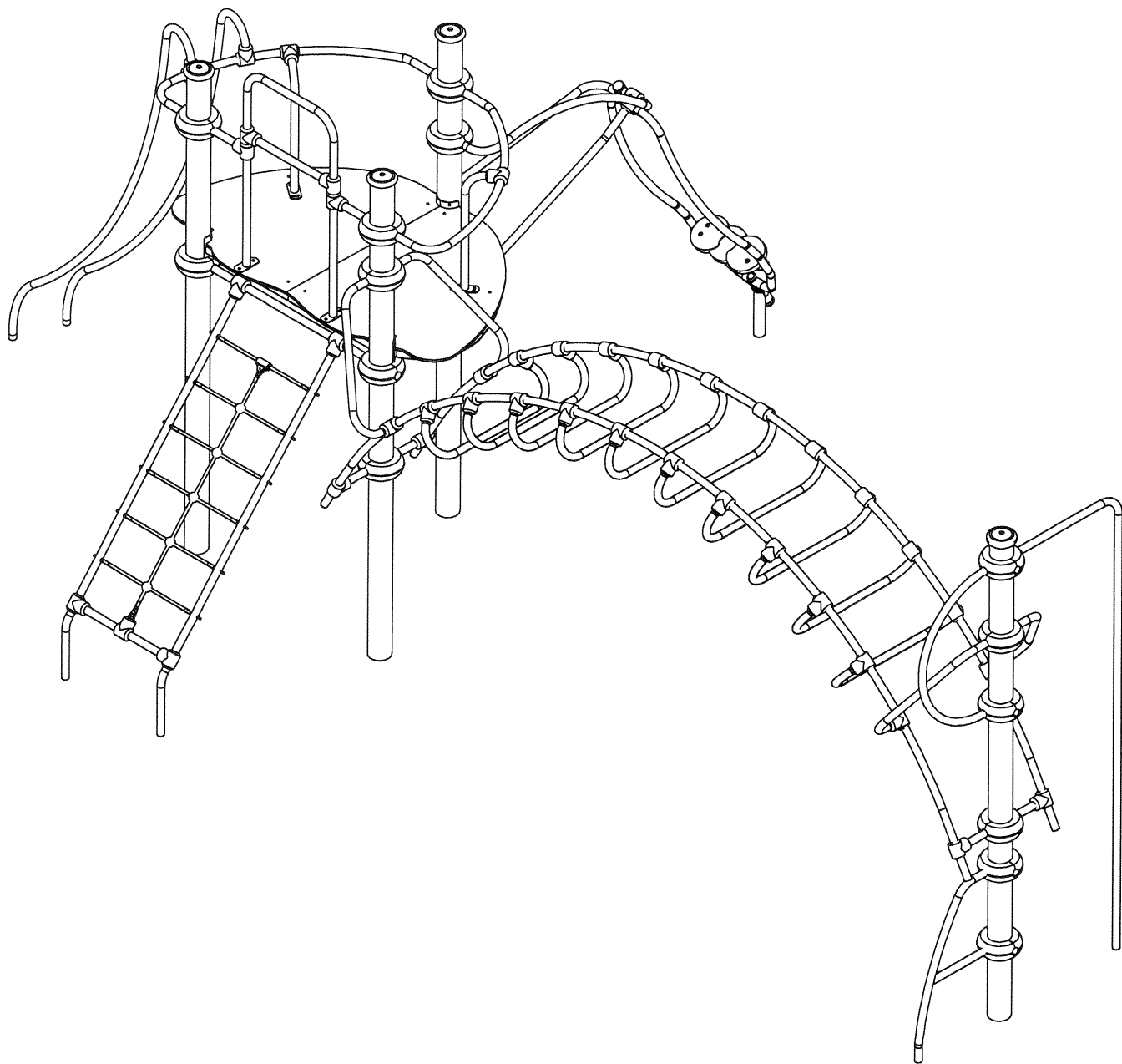


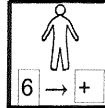
②



③





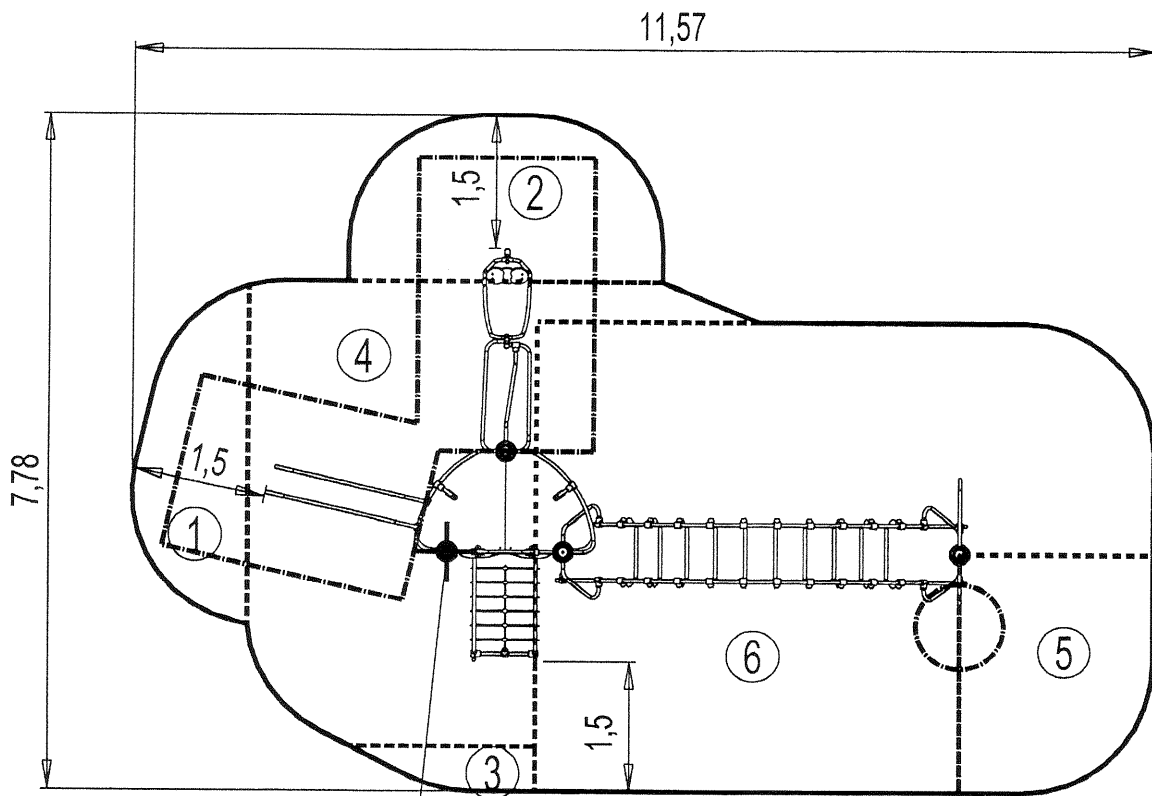


N°		M ²
①	0.6 m	4 m ²
②	0.7 m	6 m ²
③	1 m	1 m ²
④	1.95 m	18 m ²
⑤	2 m	6 m ²
⑥	2.4 m	31.5m ²

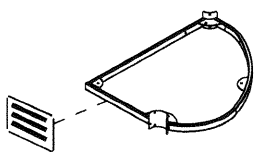
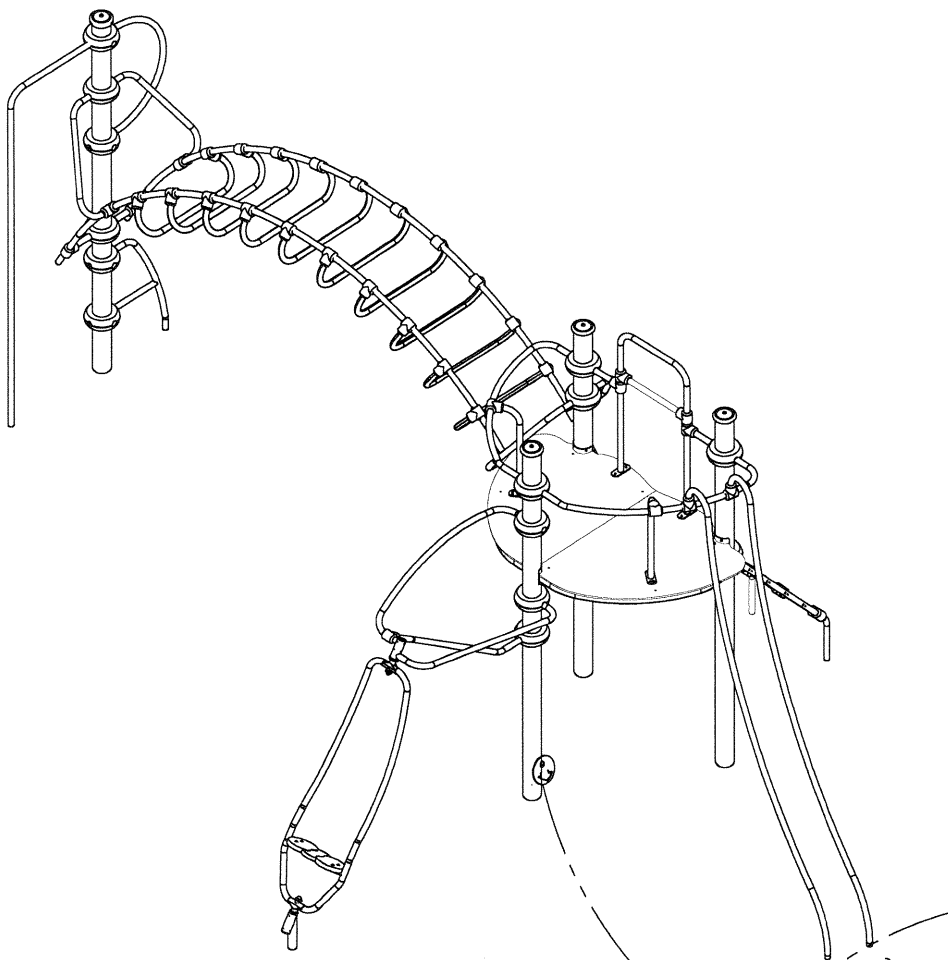
— Zone d'Impact
Impact Area
Area de Impacto
Fallraum
Valzone

EN1176-1 : 2017

- - - Espace libre
Free Space
Espacio Libre
Freiraum
Vrije ruimte



△ 0 Point de Référence
Setting Out Point
Punto de referencia
Bezugspunkt
Referentiepunt



VTH6*30A

+



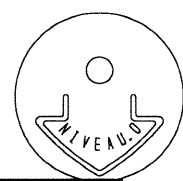
M8310N

+



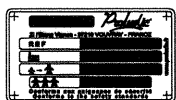
M8440N

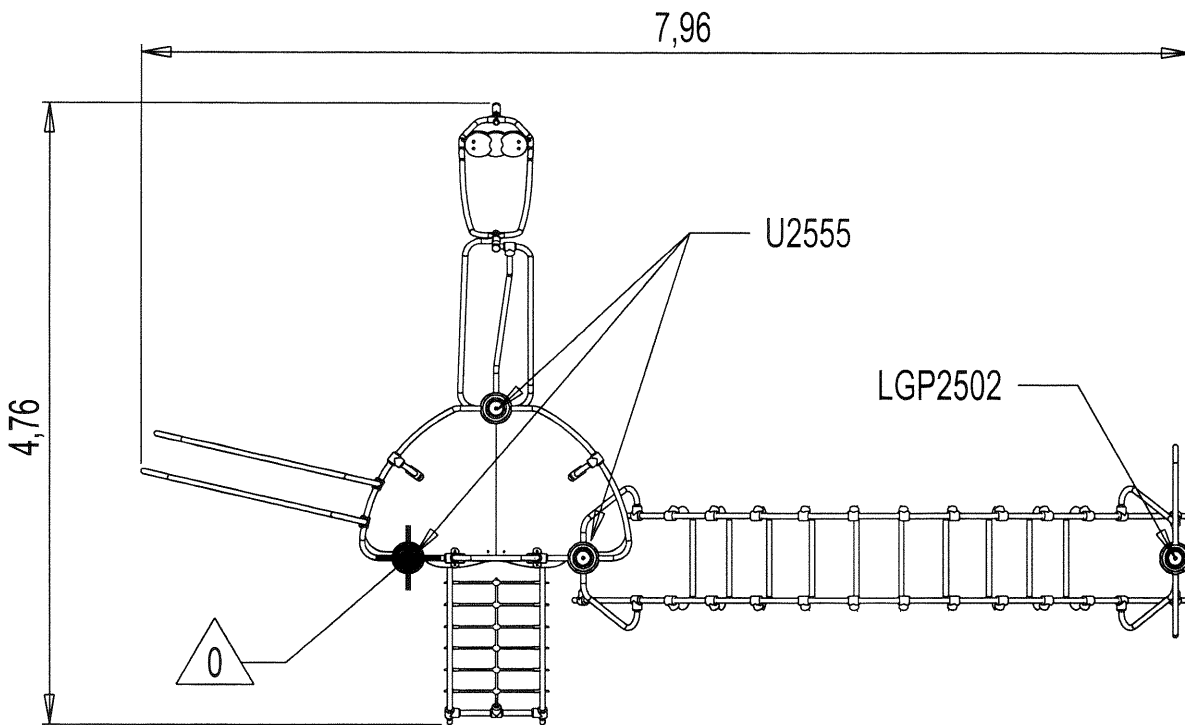
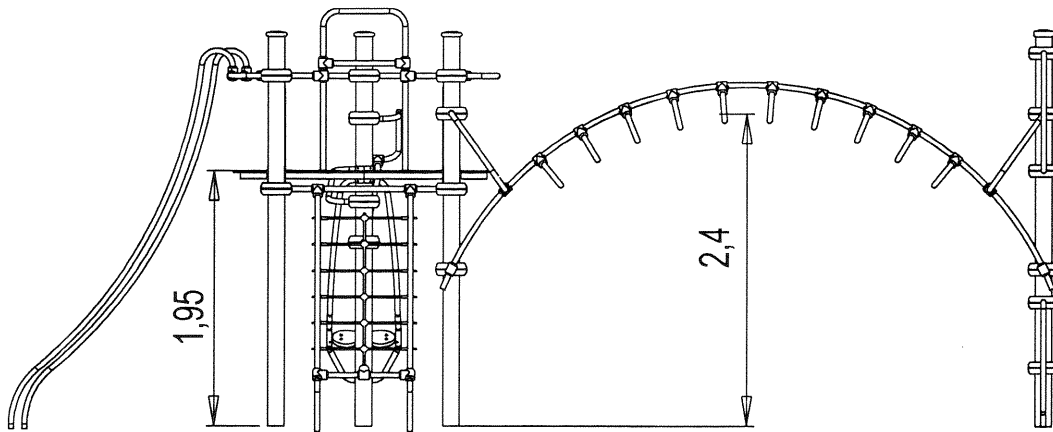
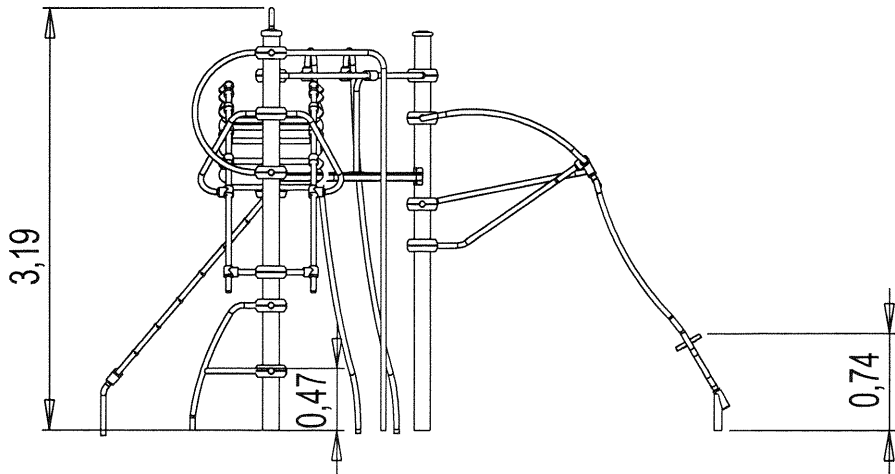
+



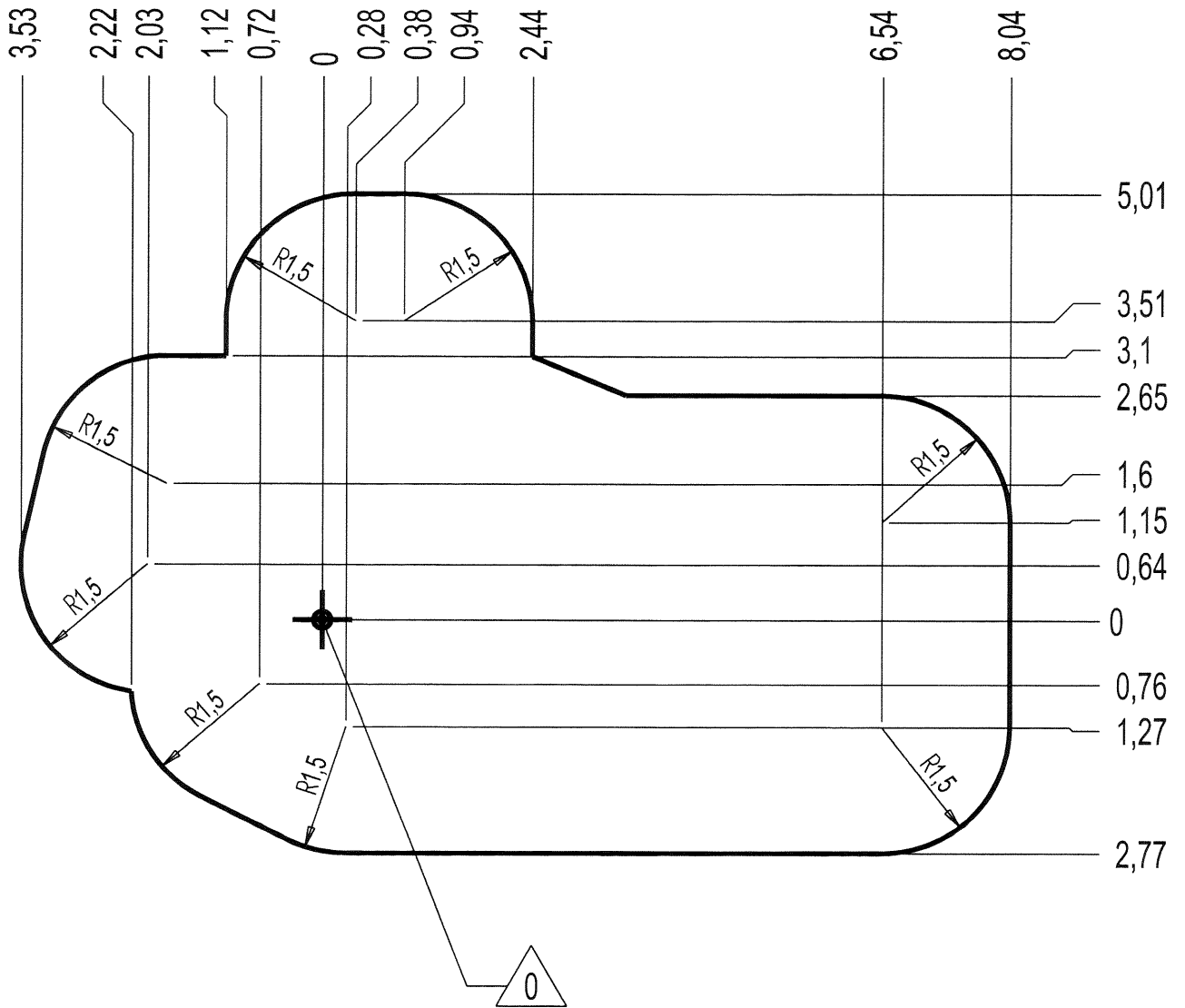
MI0002

LA000

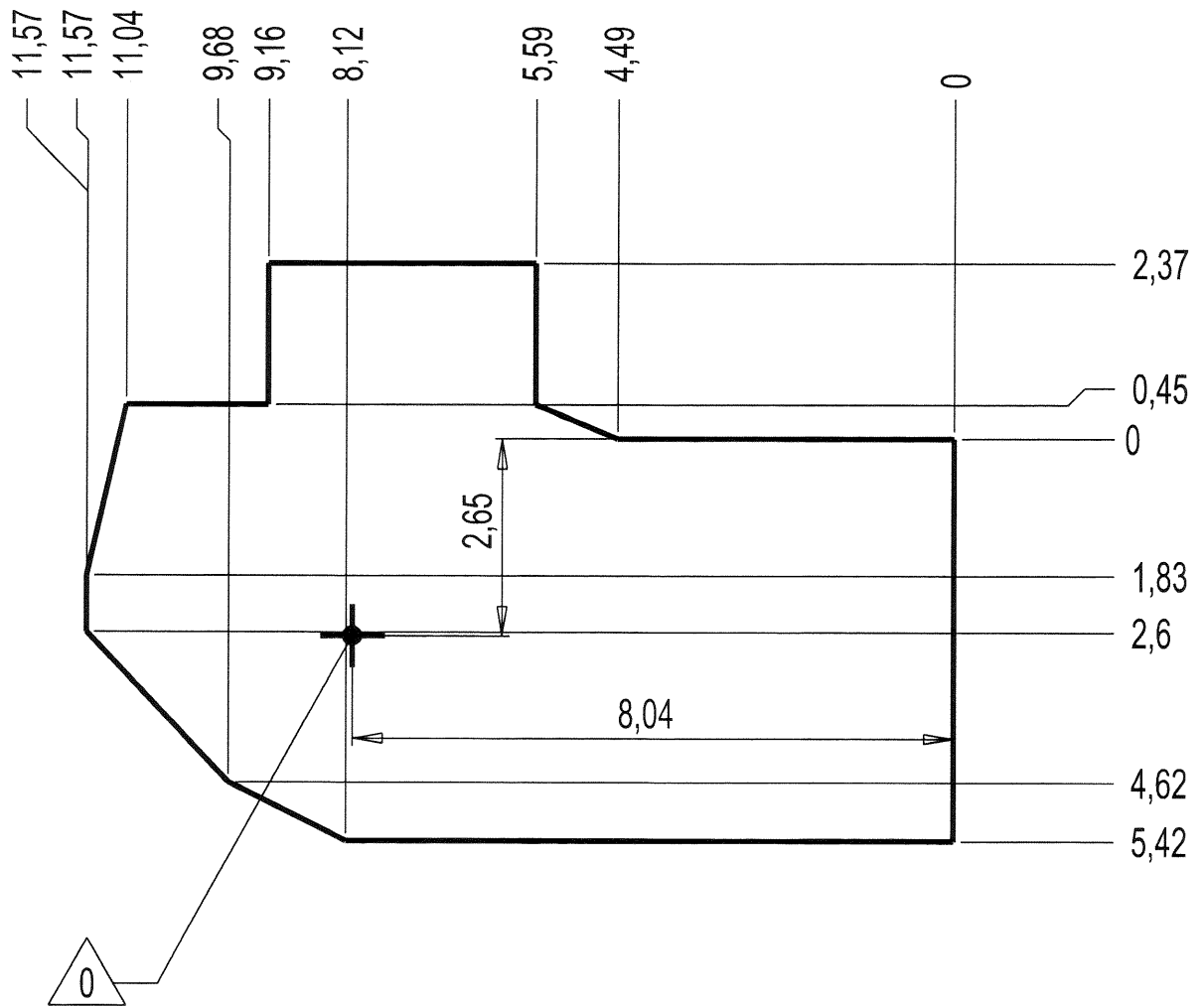




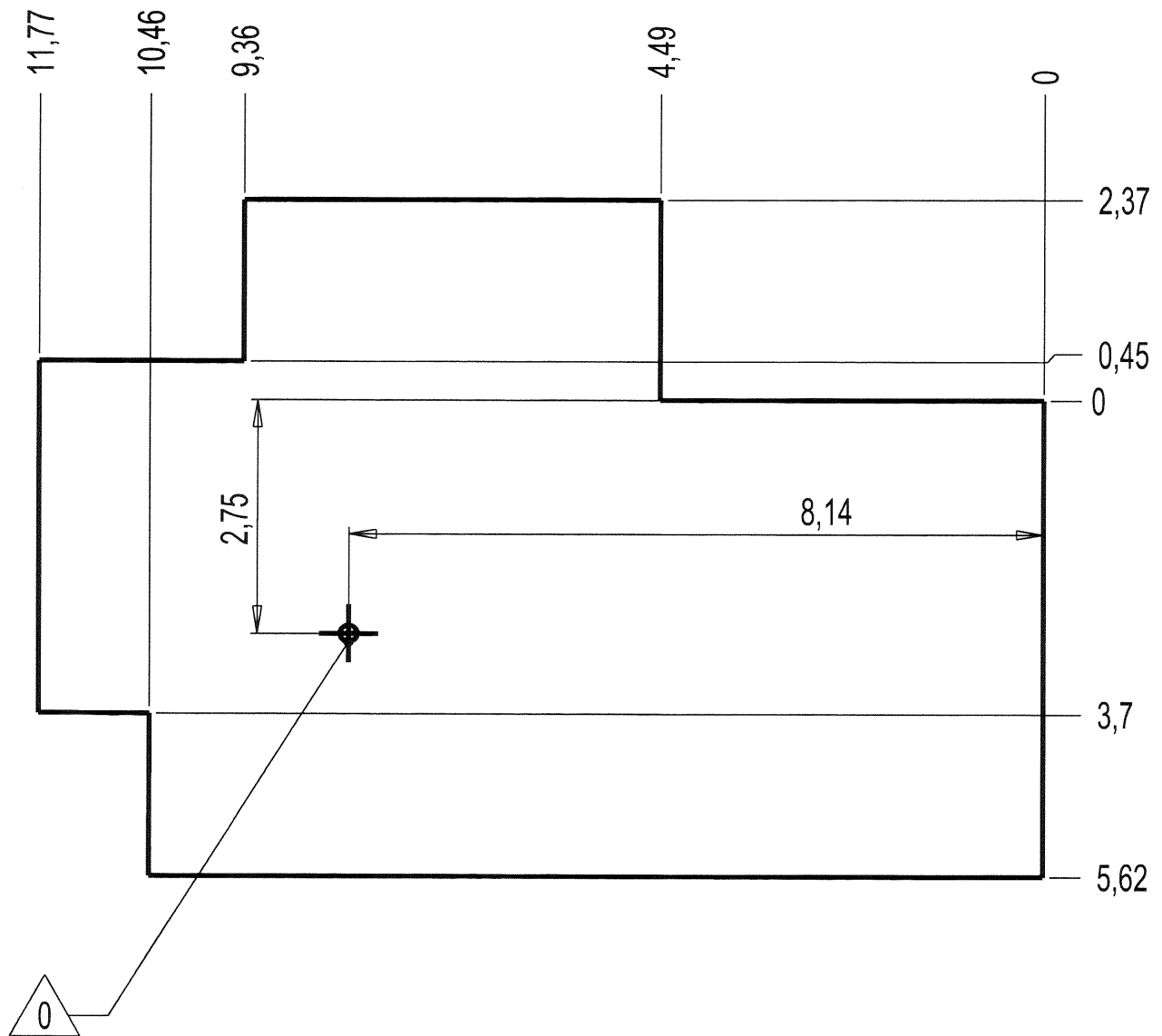
— Zone d'Impact 66.5 m²
 Impact Area
 Area de Impacto
 Fallraum
 Valzone



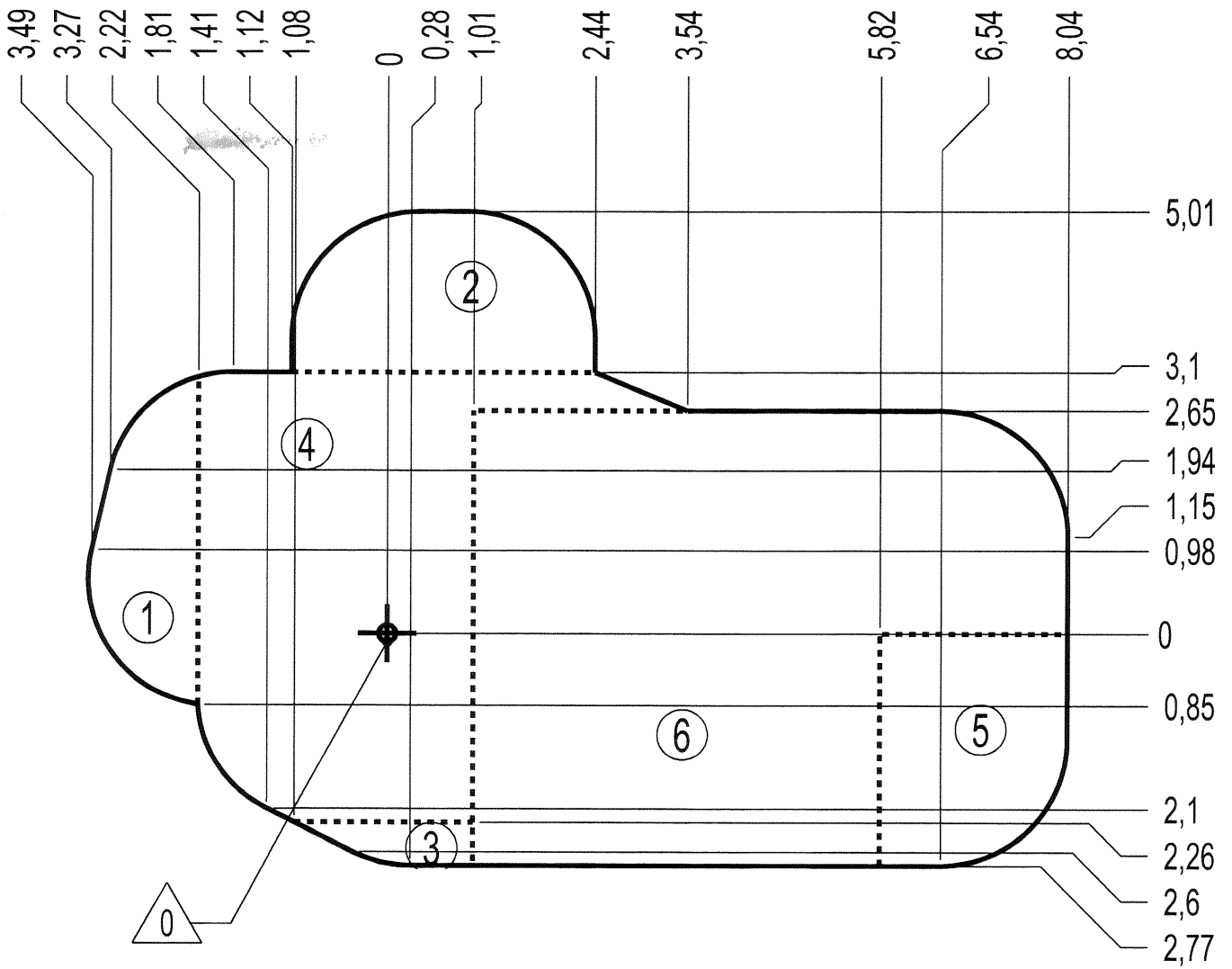
- Dalle béton 36.5 m
- Concrete pad
- Solera de Hormigón 68 m²
- Beton Bodenplatte
- Betonnen bodemplaat



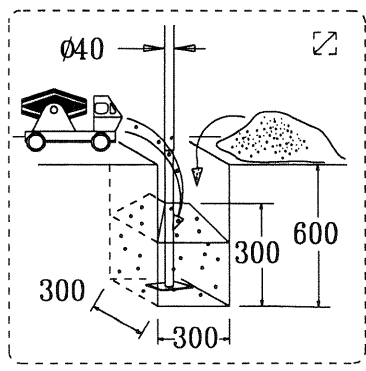
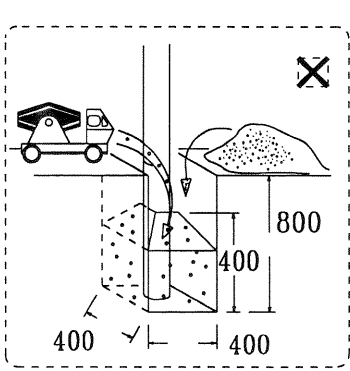
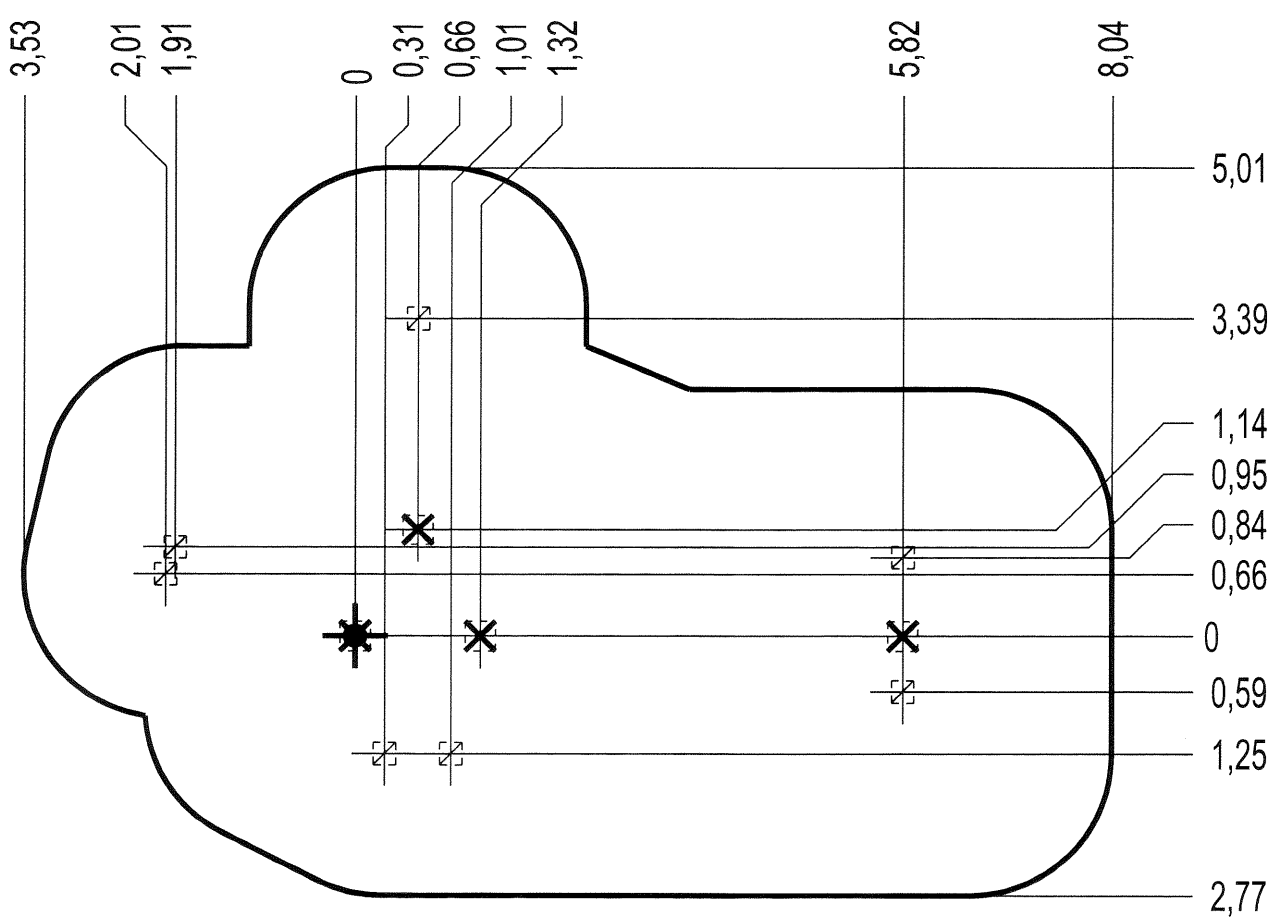
- Sol fluent 39.5 m
- Loose particle material 76.5 m²
- Arenero
- Loses Bodenmaterial
- Los bodennateriaal






— Sol souple 66.5 m²
 Wetpour
 Caucho Continuo
 Synthetischer Fallschutz
 Gietvloer

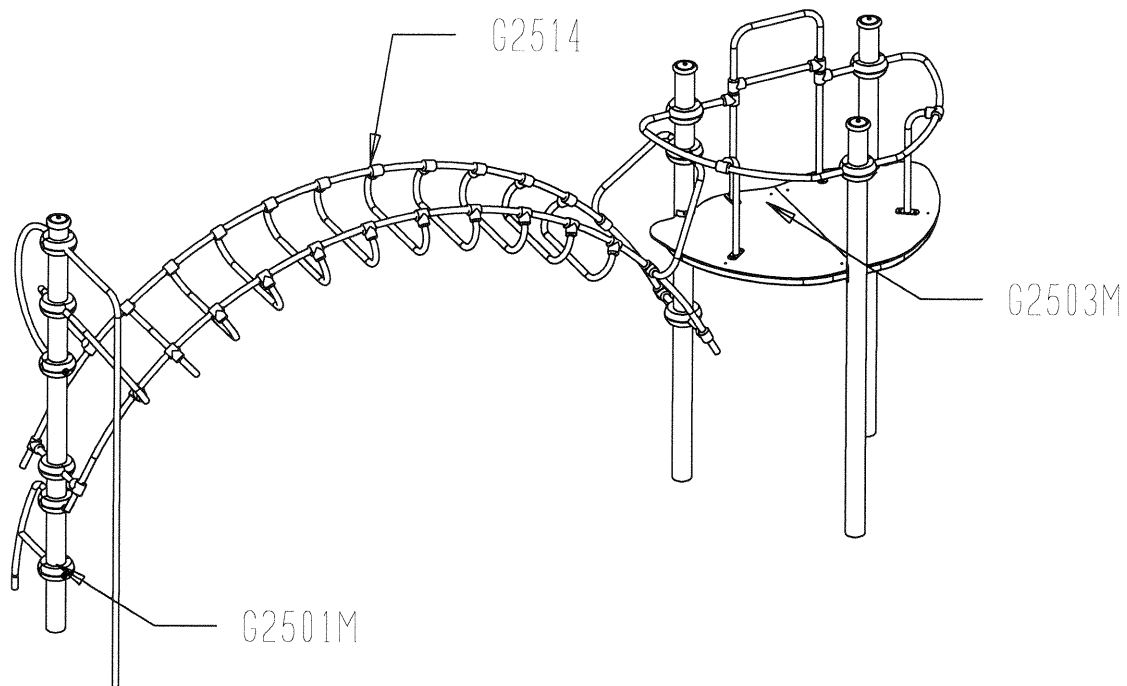


Implantation
 Footing plan
 Implantación
 Fundamentplan
 Funderingstekening

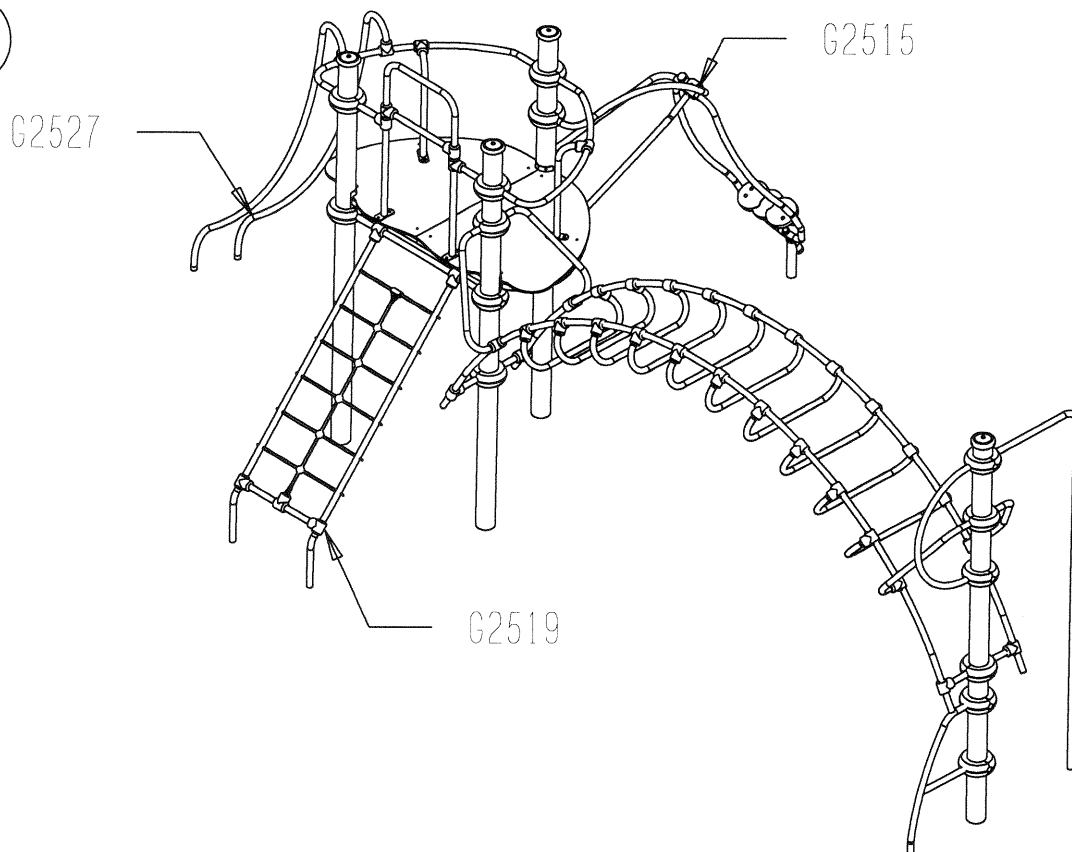


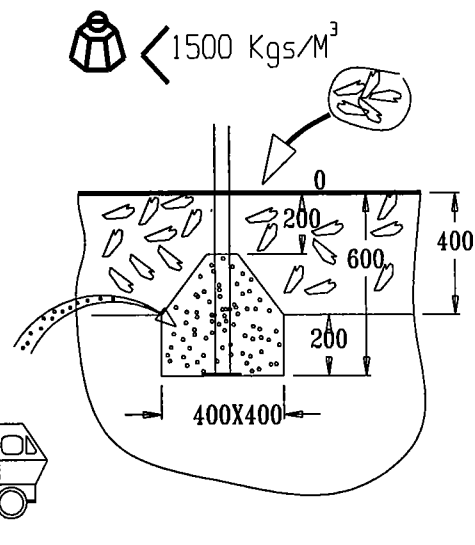
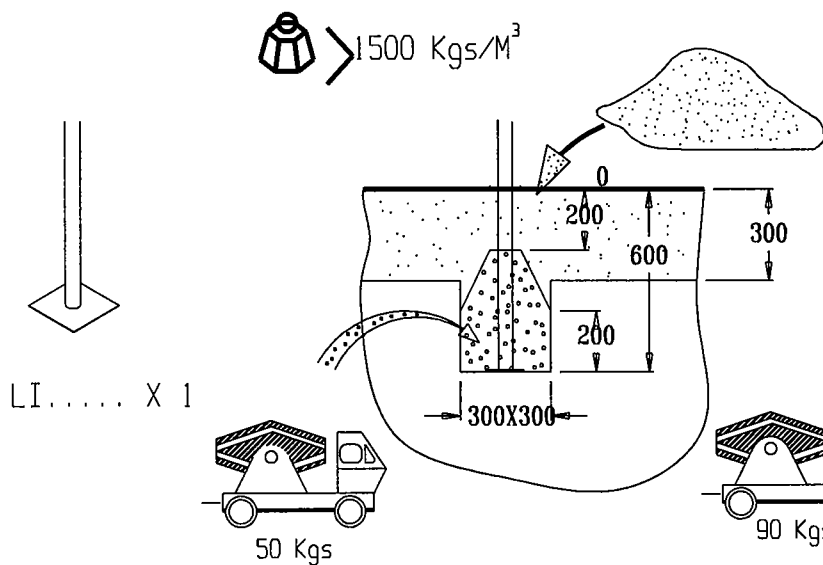
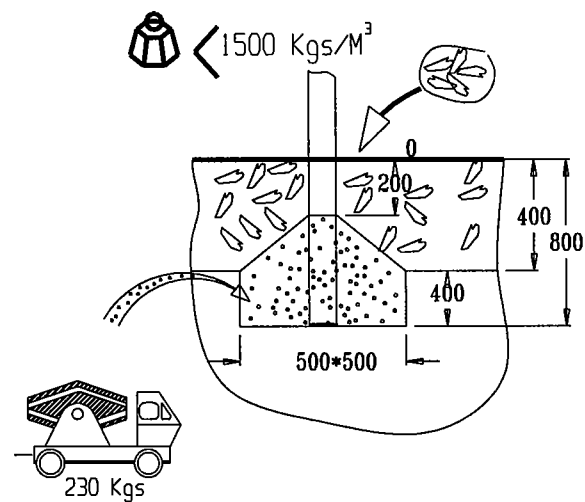
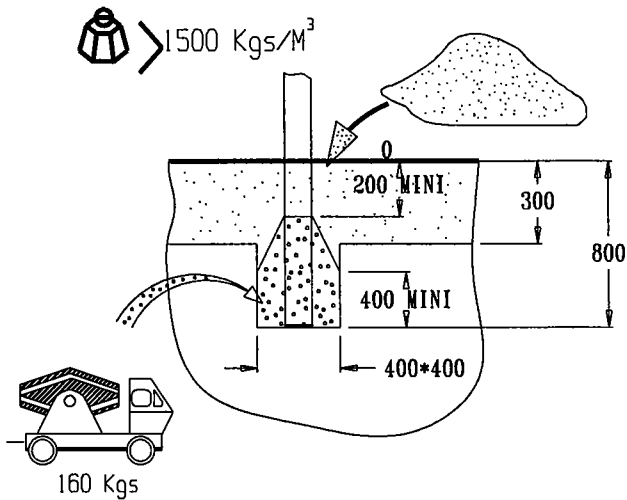
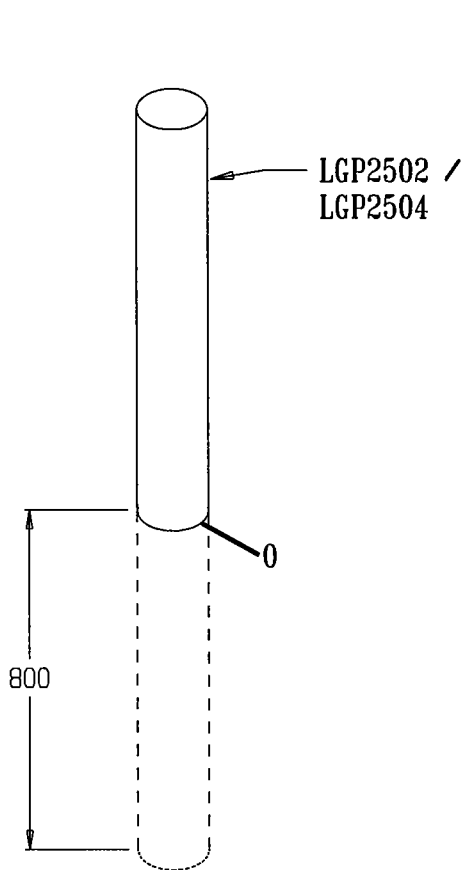
 x2	 17H	 0.4m ³
---	---	---

1

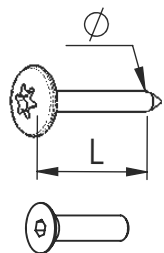


2





LI..... X 1



VBT 6 x 30
 \varnothing \uparrow L (mm)

VFHC



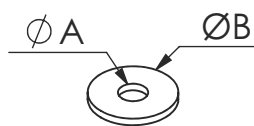
VEC M10
 \varnothing



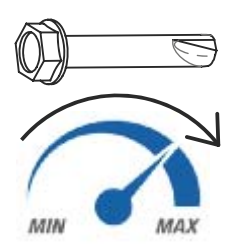
VEF



VEB




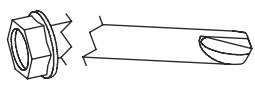
VR6x18
 $\varnothing A$ $\varnothing B$

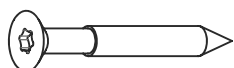


1000 - 1800 tr/min
 Vitesse de rotation
 Rotation speed

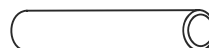
14 N.m
 Couple de rupture
 Torque of break

VTHA 

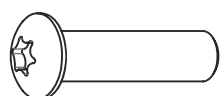




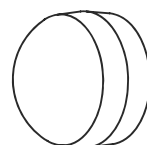
VWT



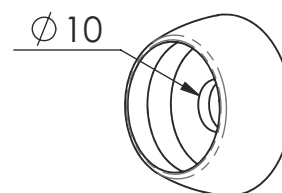
VGC



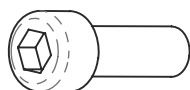
VCBHC



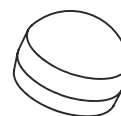
M10 440N



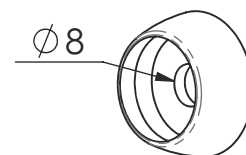
M10 310 N



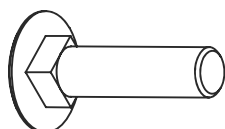
VBTR



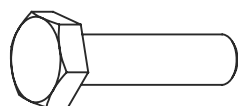
M8440N



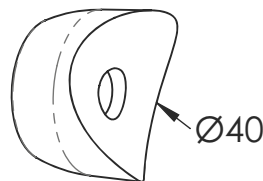
M8310N



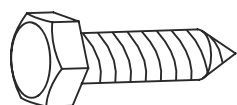
VTRCC



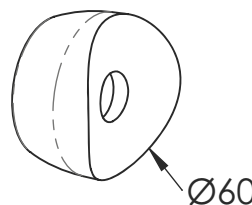
VTH



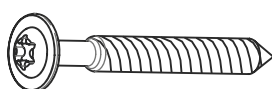
MI2503



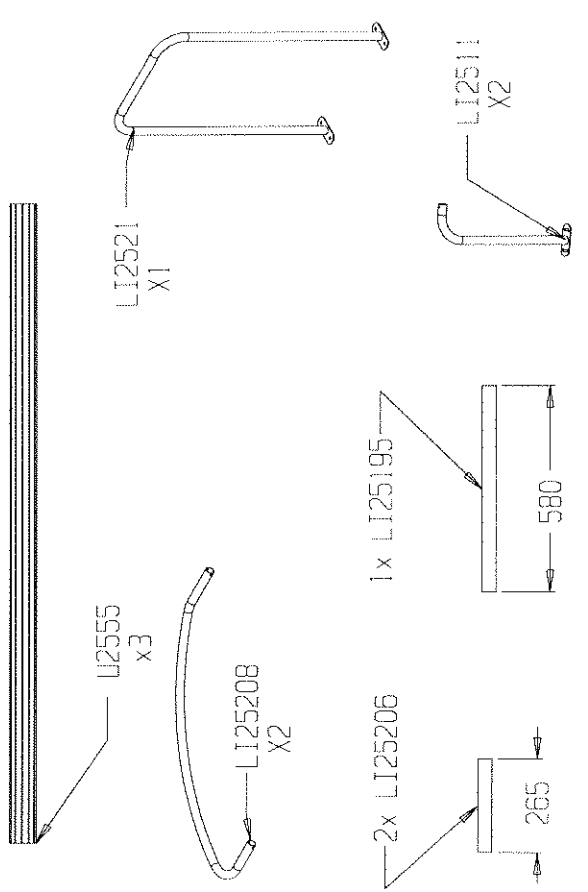
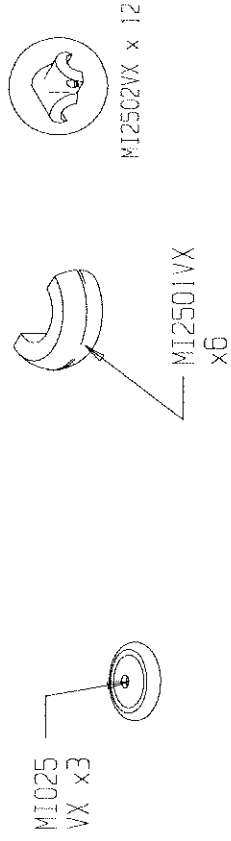
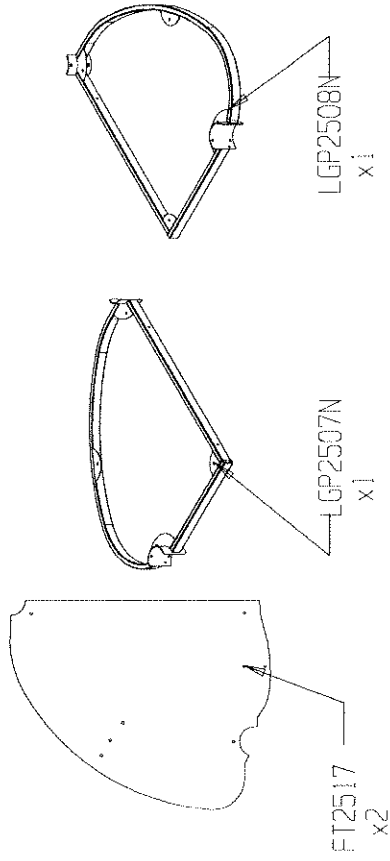
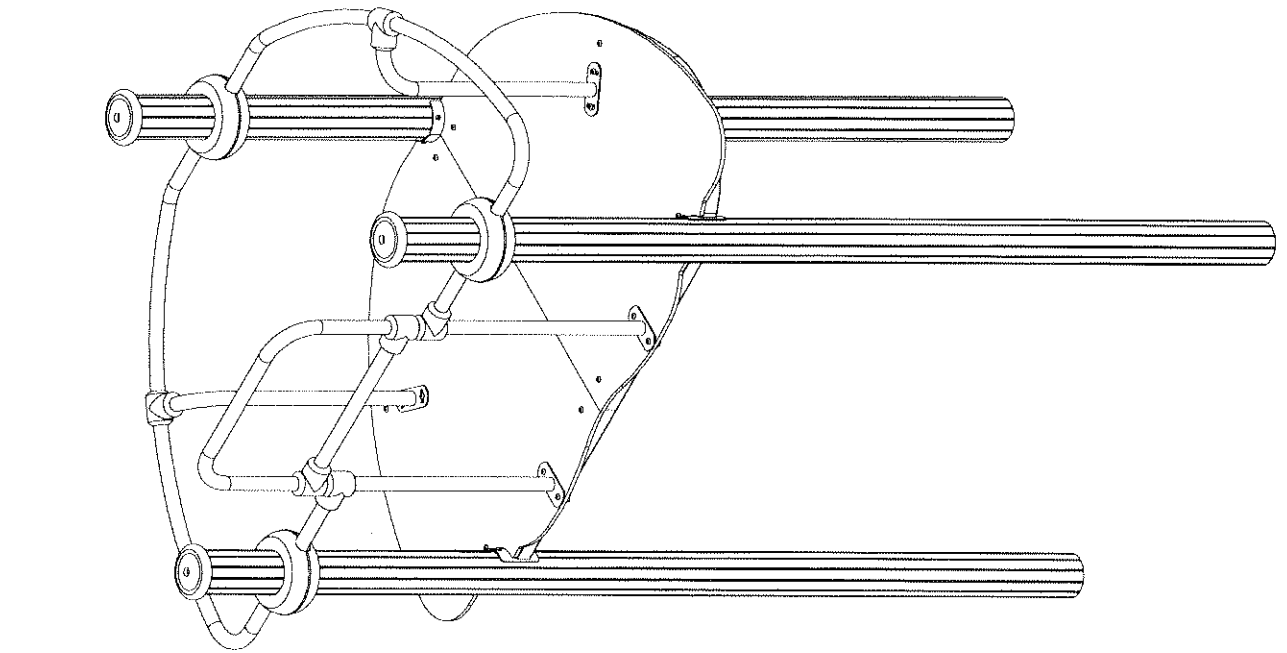
VTF

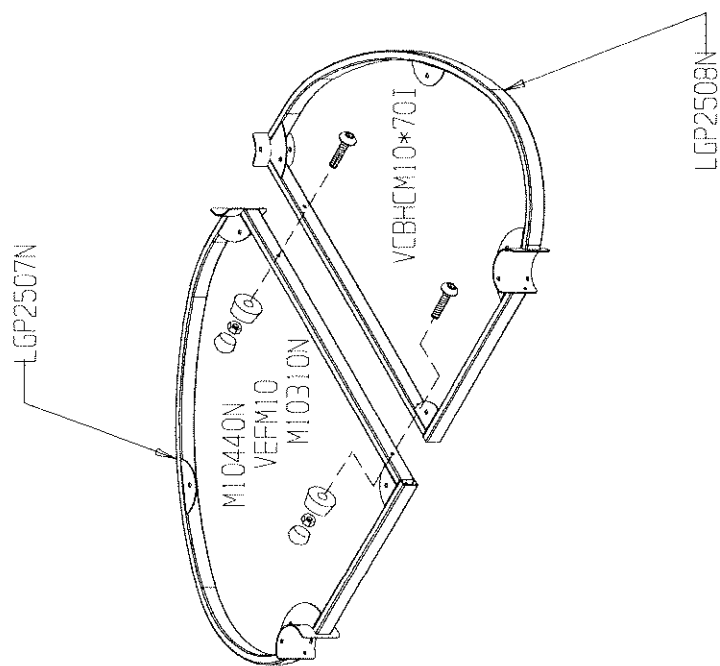


MI2701

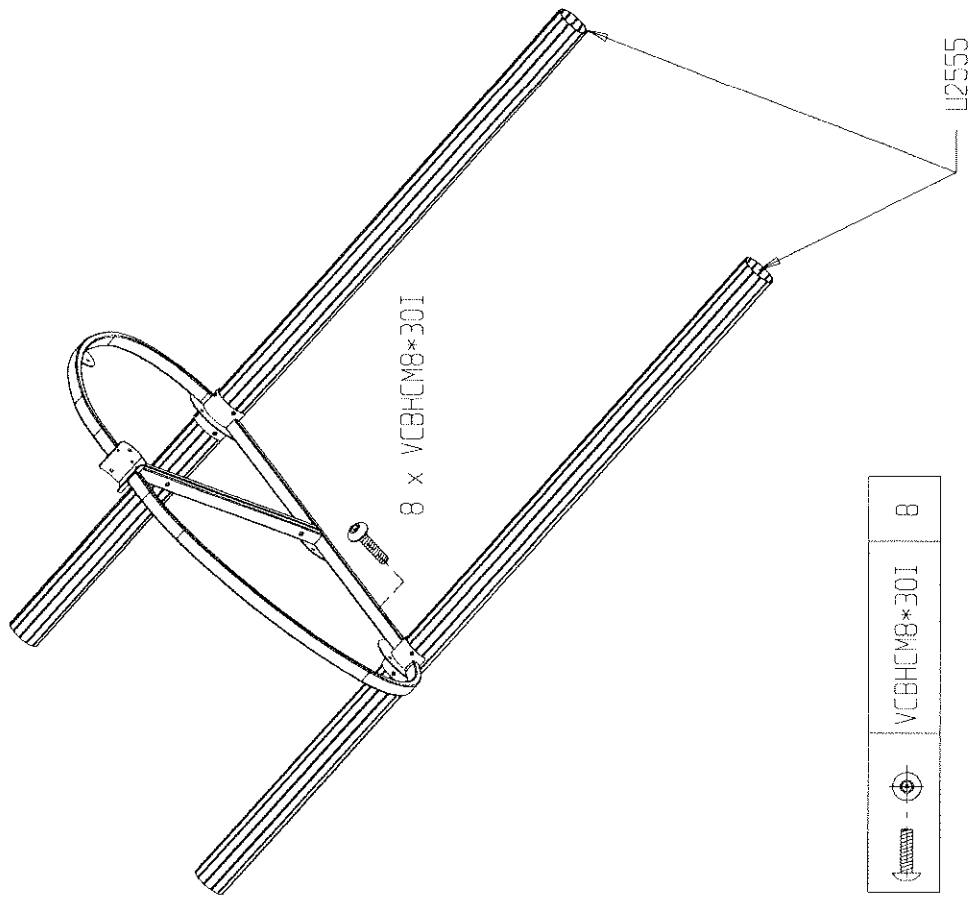


VBT





	M10310N	2
	M10440N	2
	VCBHCM10*70I	2
	VEFM10	2

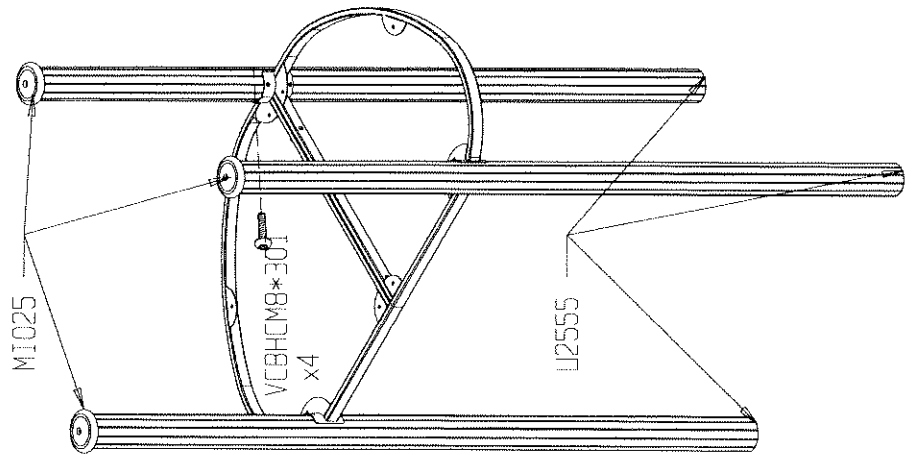
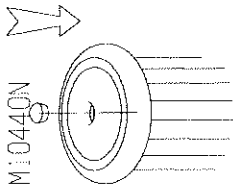
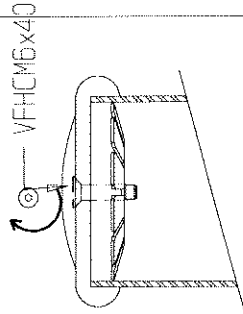
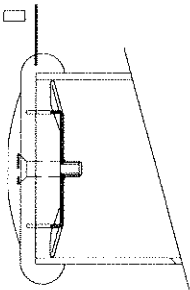
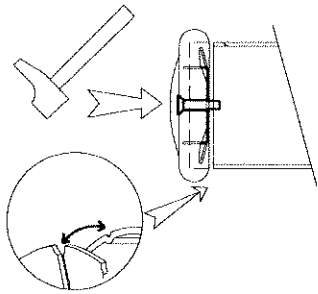
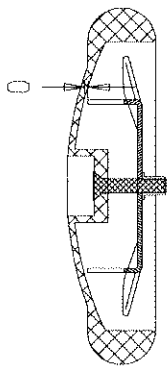
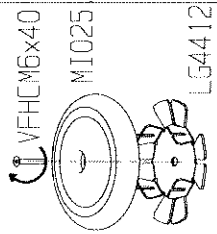


	VCBHCM8*30I	8
--	-------------	---

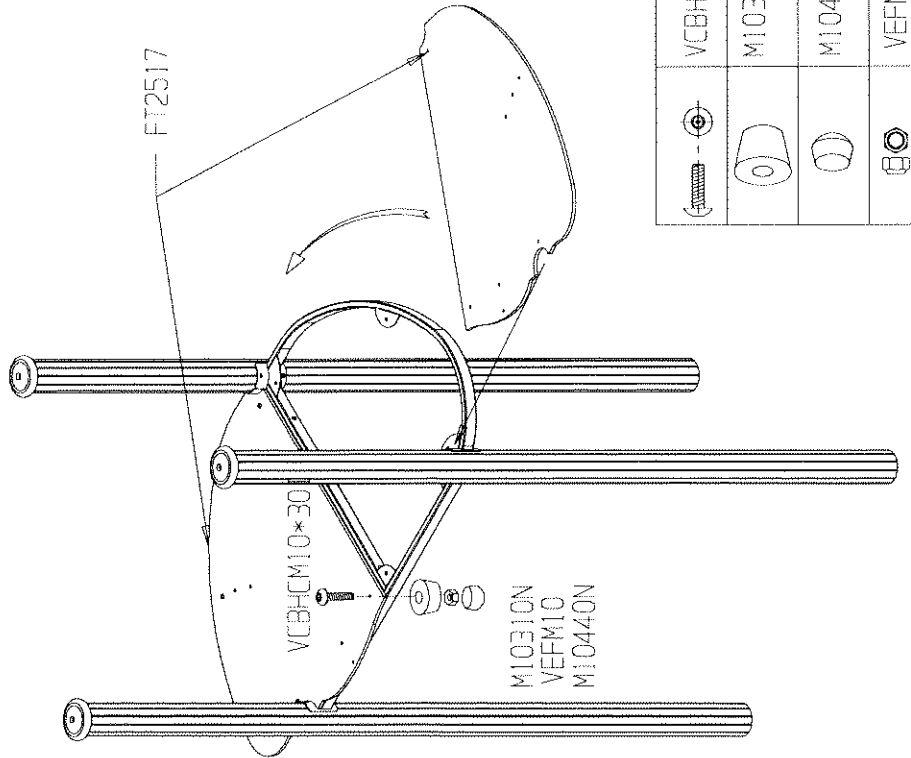
G2503M

3/5

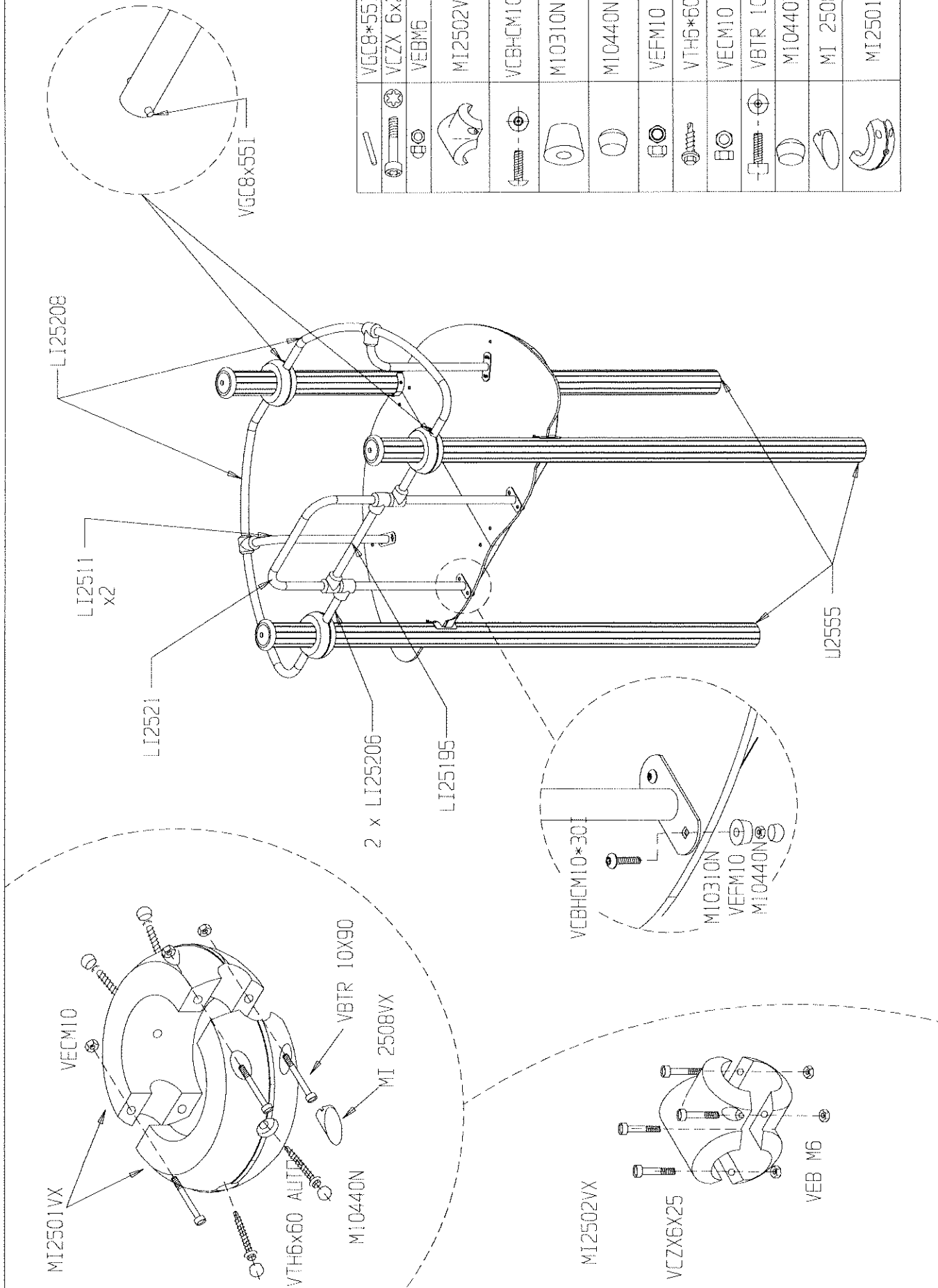
Prologic



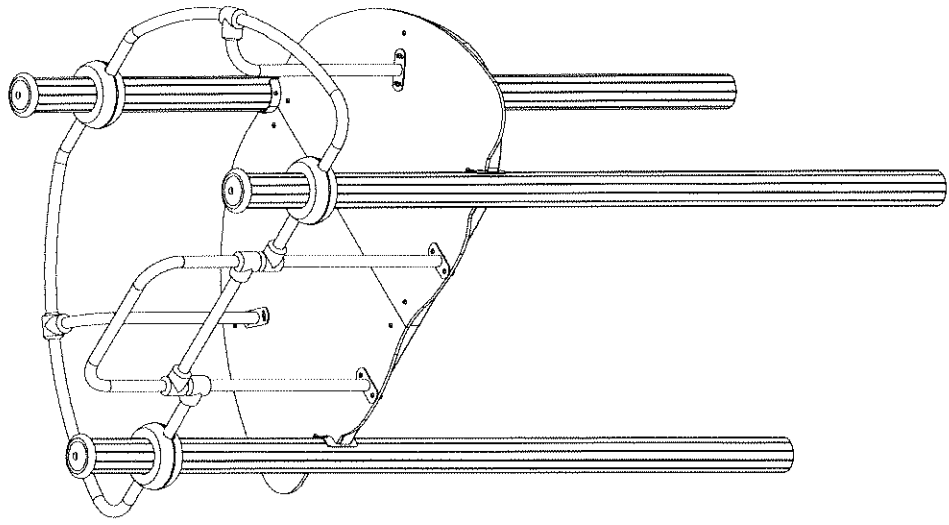
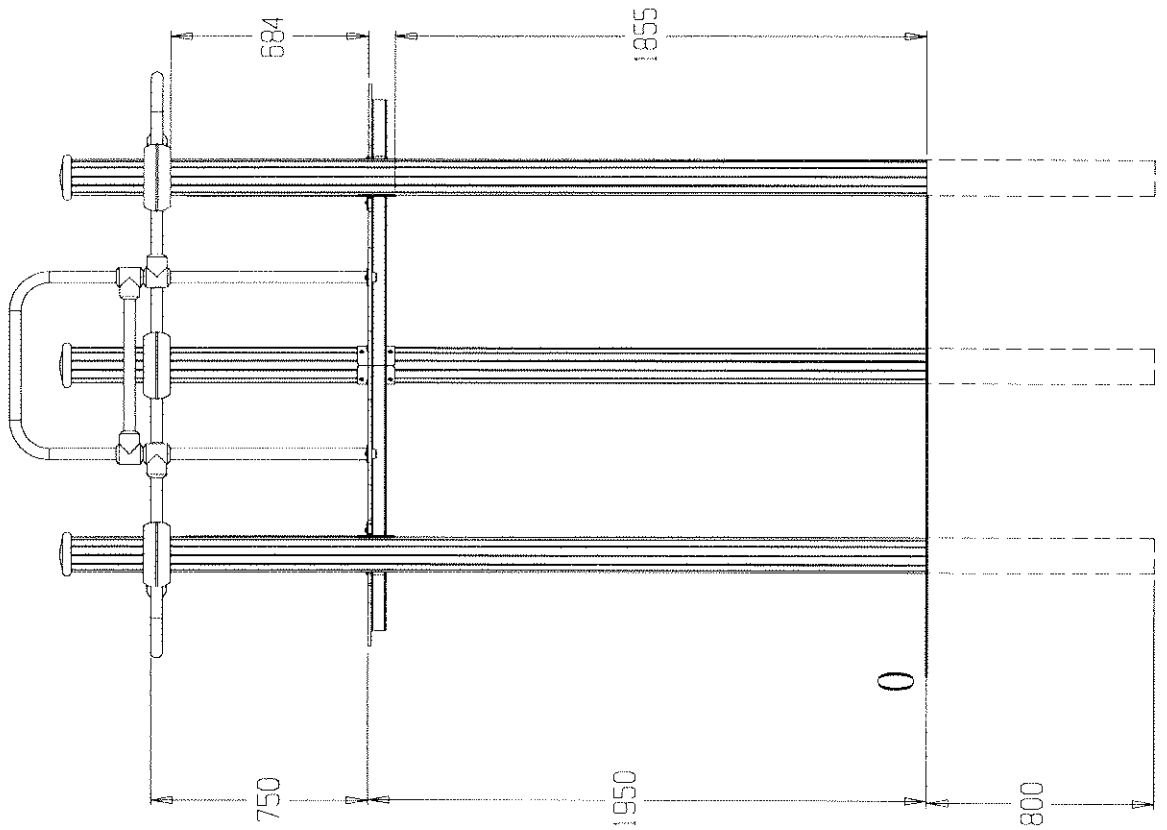
	VFHCM6x40	3
	MI 025VX	3
	MI0440N	3
	LG4412	3
	VCBHCM8*30I	4

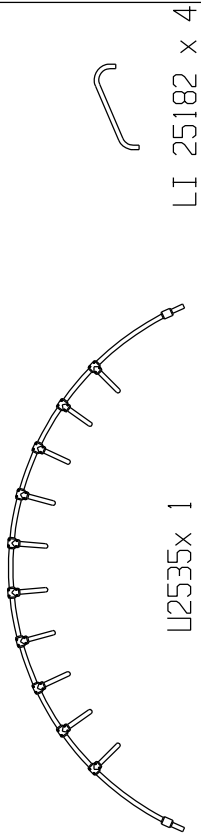
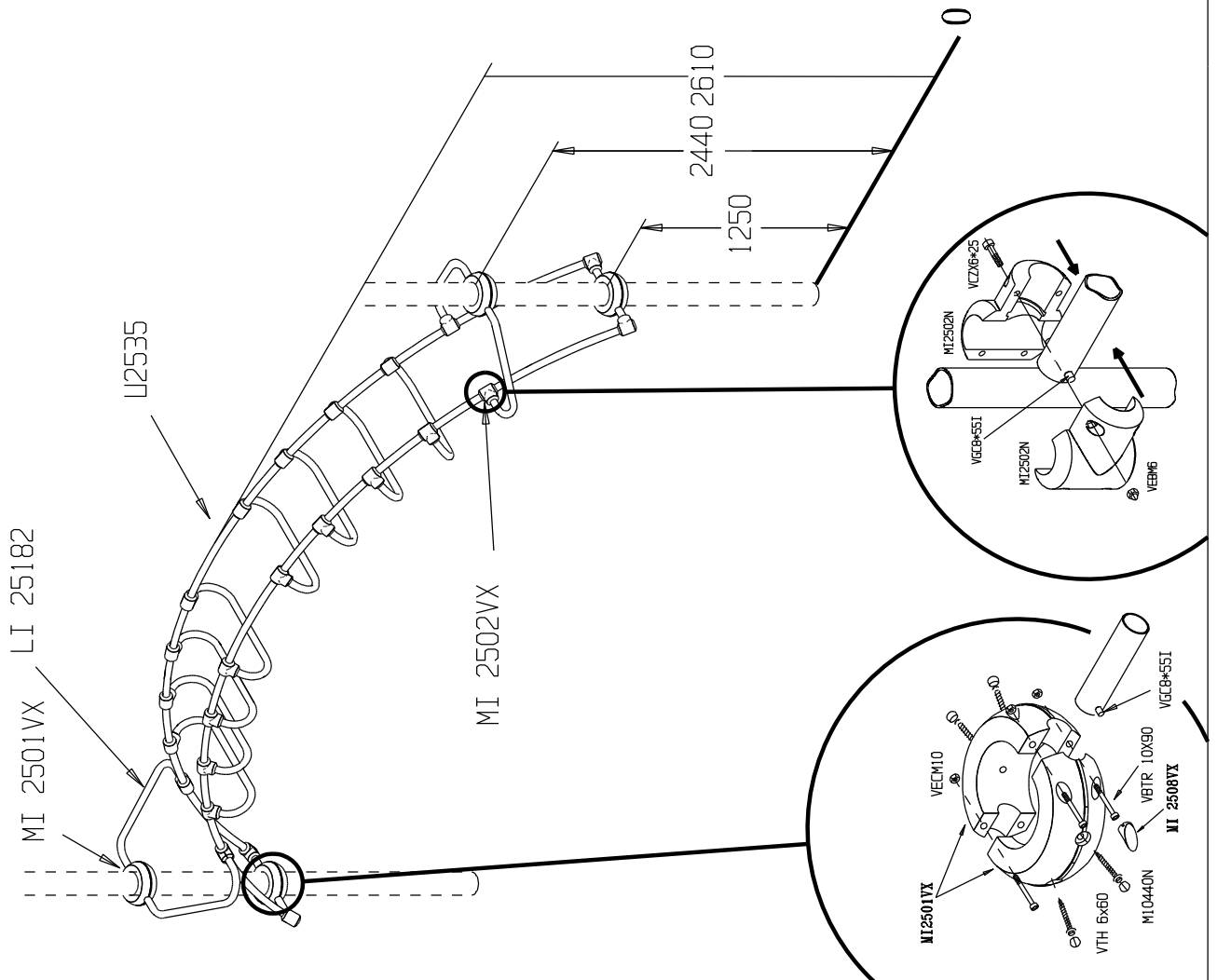


	VCBHCM10*30I	8
	MI0310N	8
	MI0440N	8
	VEFM10	8



	VGC8*55T	4
	VCZX 6x25	24
	VEBM6	24
	MI2502VX	12
	VCBHC M10*30I	10
	M10310N	10
	M10440N	10
	VEFM10	10
	VTH6*60 ALUTE	12
	VECM10	12
	VBTR 10x90	12
	M10440N	12
	MI 2508VX	24
	MI2501VX	6

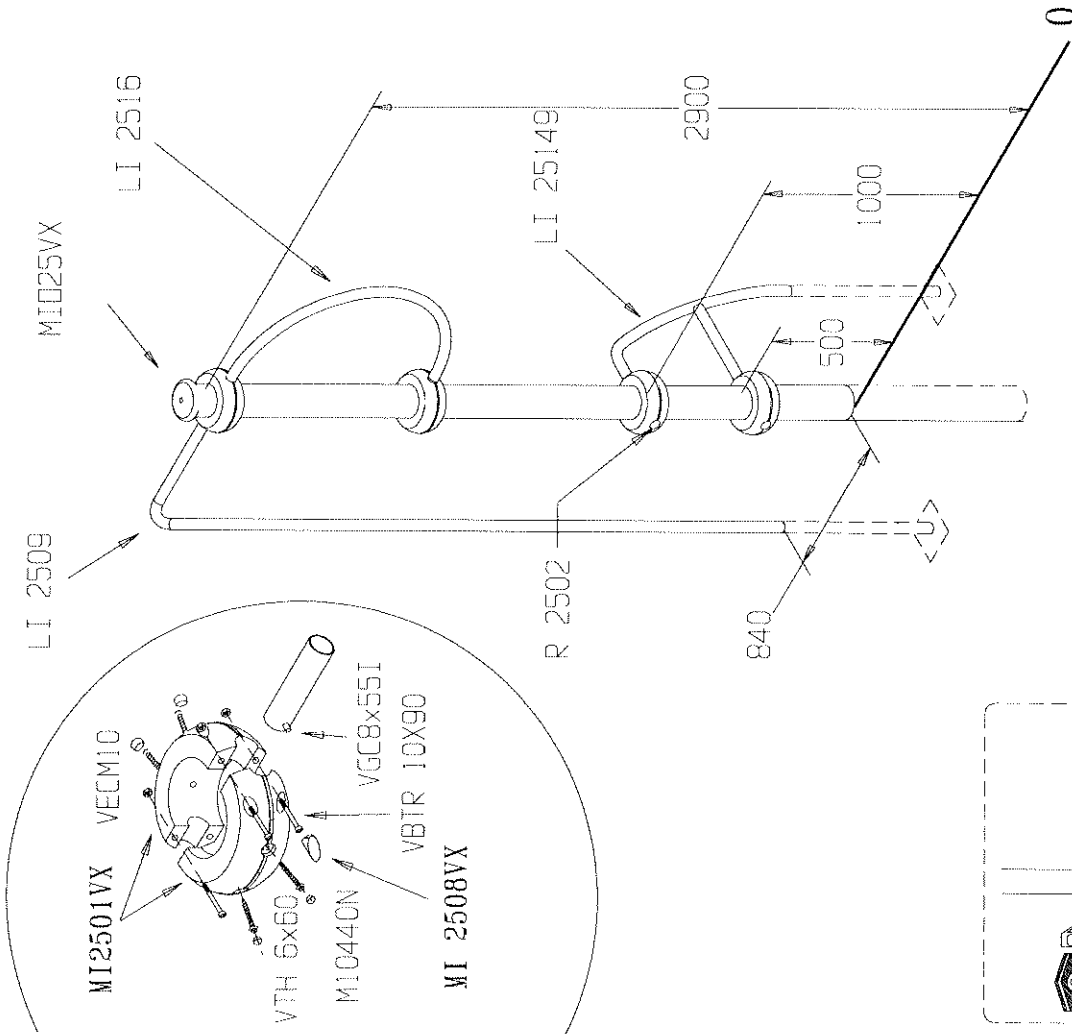




MI2501VX x 8

MI2502VX x 8

	VGC8*55I	12
	VTH6x60 AUTO	16
	VBTR 10x90	16
	VCZX 6x25	16
	M10440N	16
	VECM10	16
	VEBM6	16
	MI 2508VX	32



MI2501VX x 8



MI25VX x 1

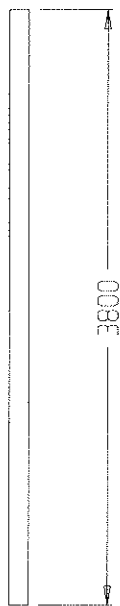


LI2516 x 1



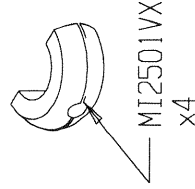
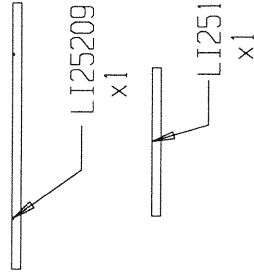
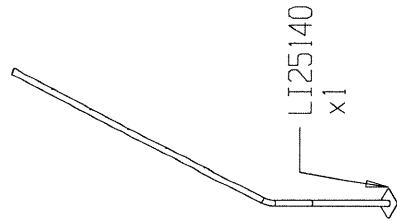
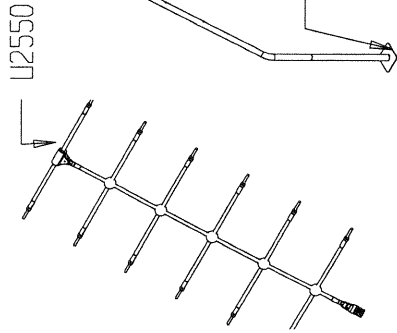
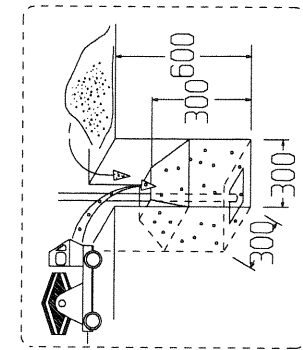
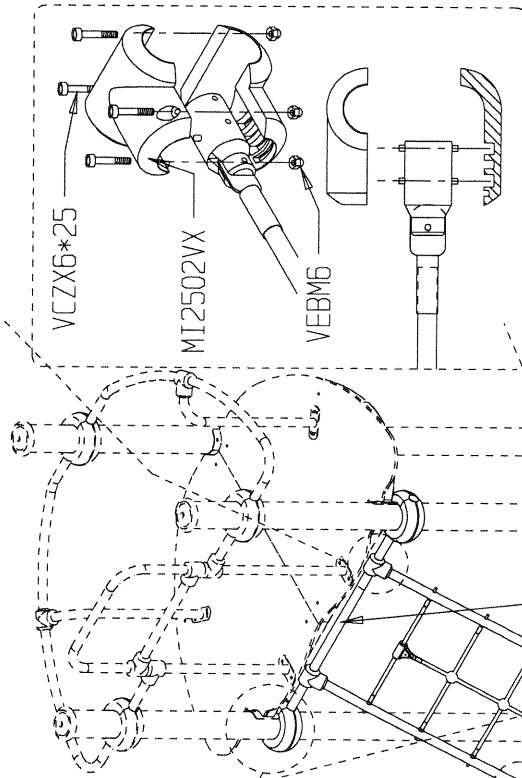
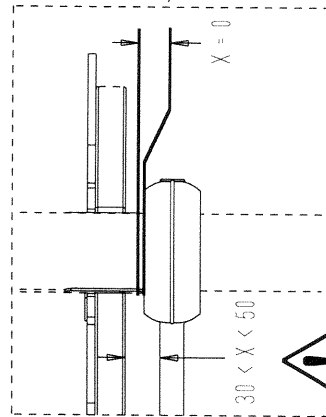
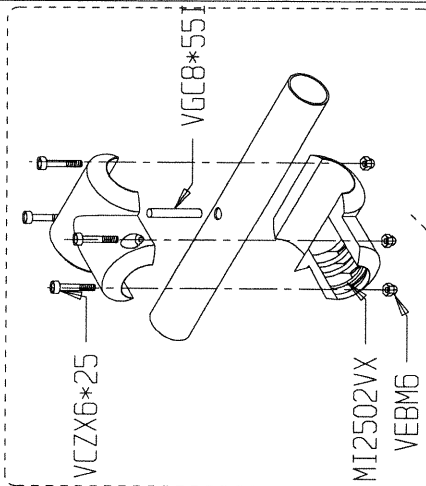
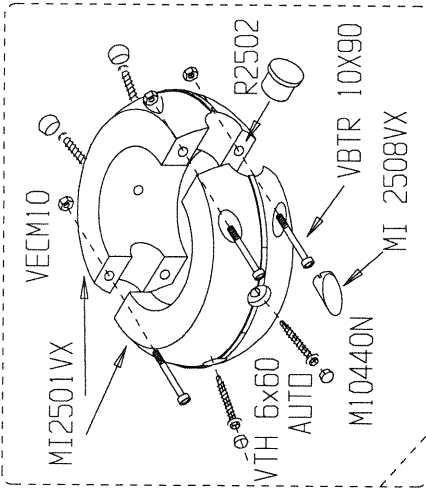
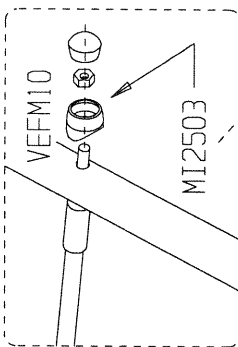
LI2509 x 1
Lg 3495

LGP2502 x 1
Lg 3800

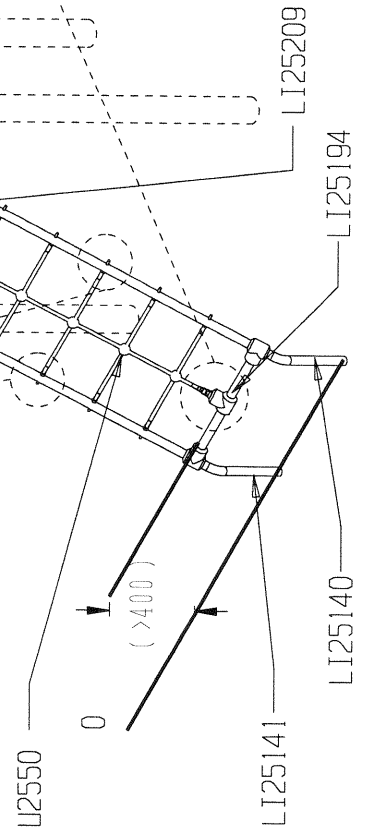


LI25149 x 1

	LG4412	1
	VGC8*55I	3
	VFHC6x40	1
	VTH6*60 AUTO	16
	M10440N	17
	VECM10	16
	VBTR 10x90	16
	MI 2508VX	32
	R 2502	3



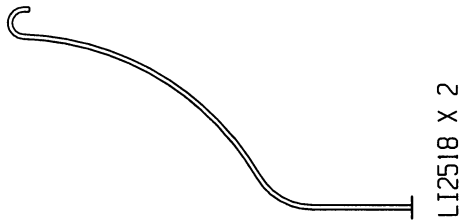
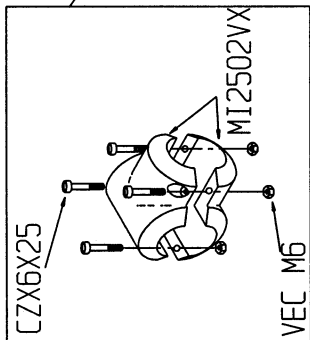
	R 2502	2
	VTH 6x60 AUTO	8
	VECM10	8
	VBTR 10x90	8
	M10440N	8
	MI 2508VX	16
	VGC8*55I	2
	VCZX 6x25	20
	VEBM6	20
	M10440 N	12
	MI2503N	12
	VEFM10	12



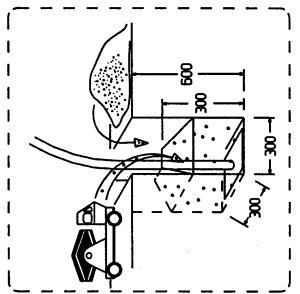
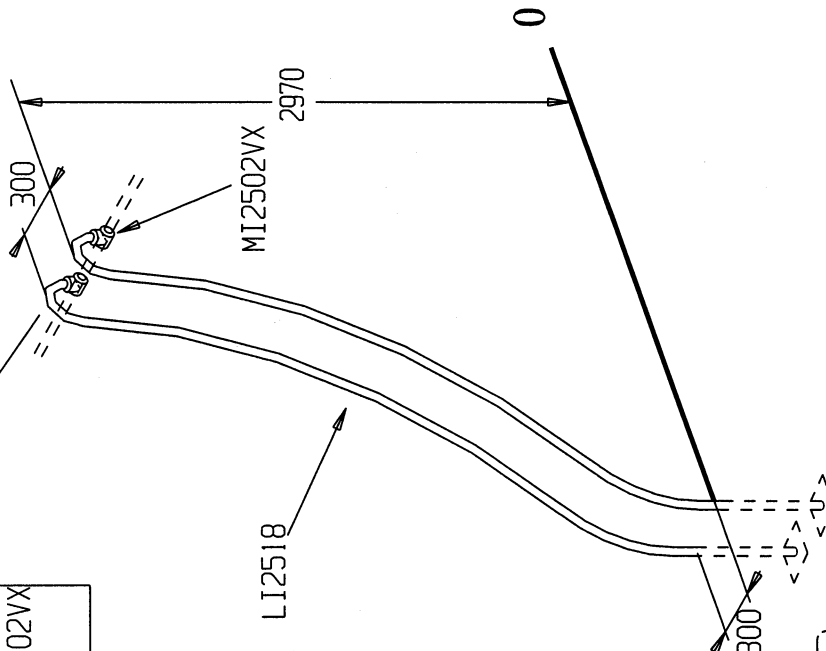
G 2527

Provaldic

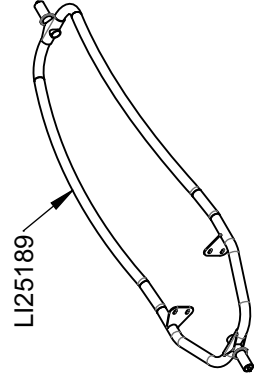
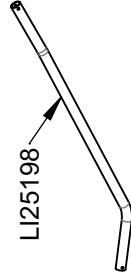
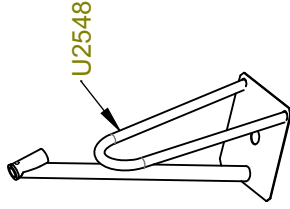
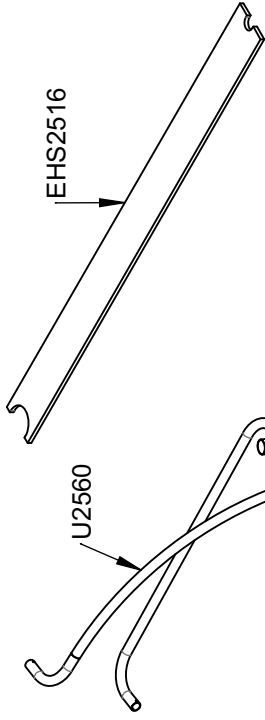
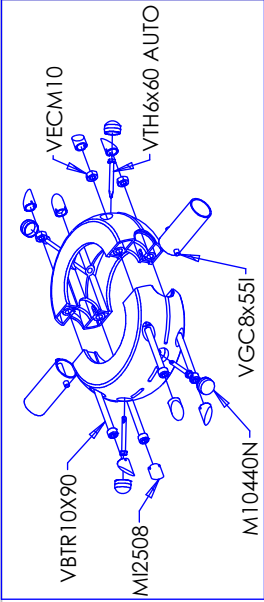
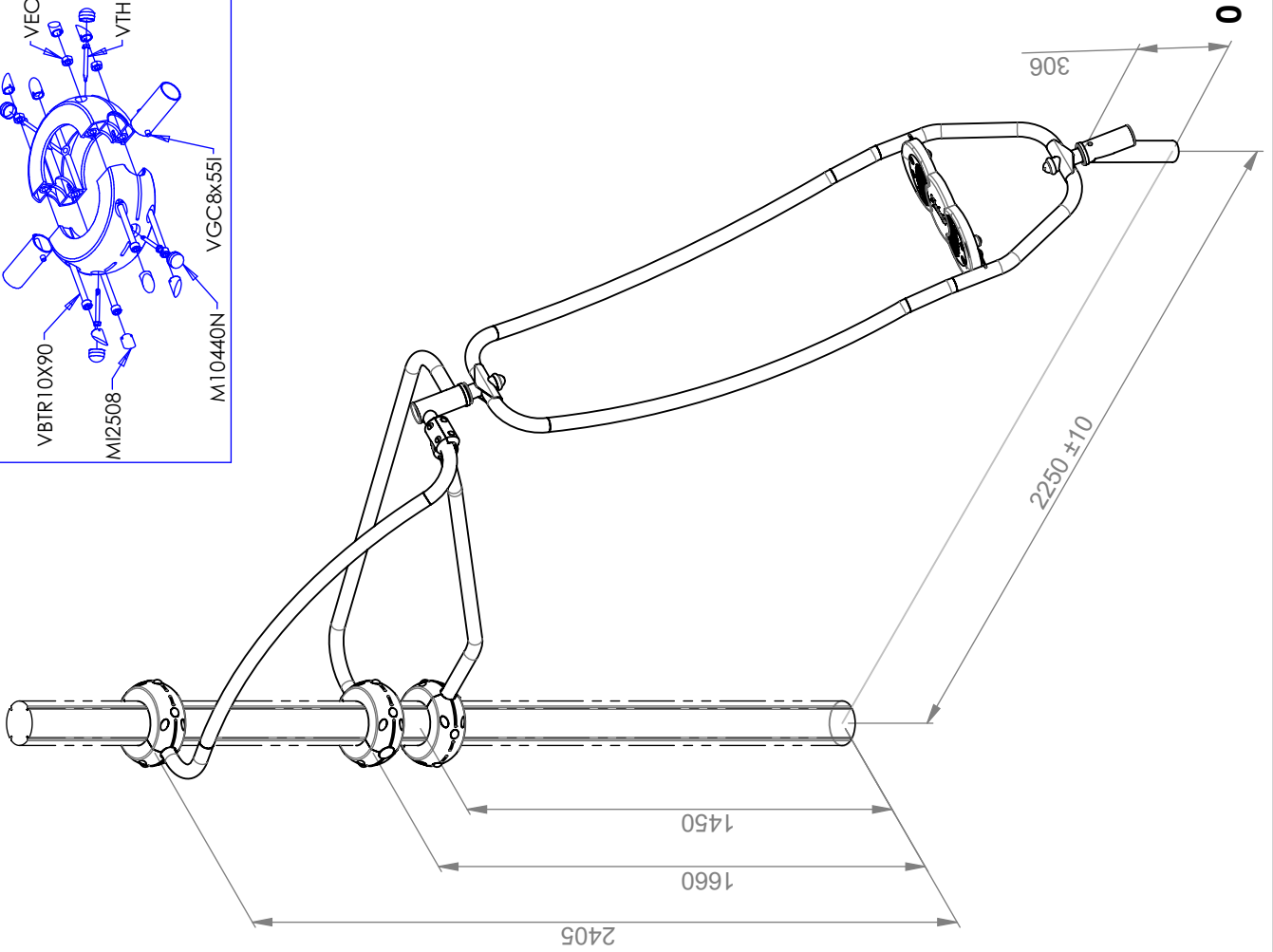
17-11-98



MI2502VX X 4



⊕	VECM6	8
⊕	VCZX 6x25	8

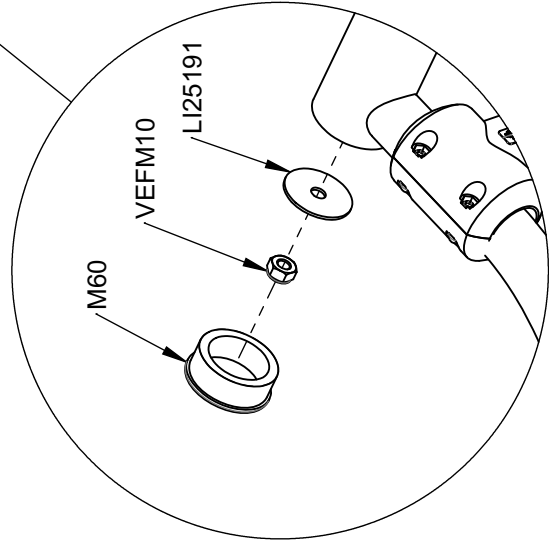
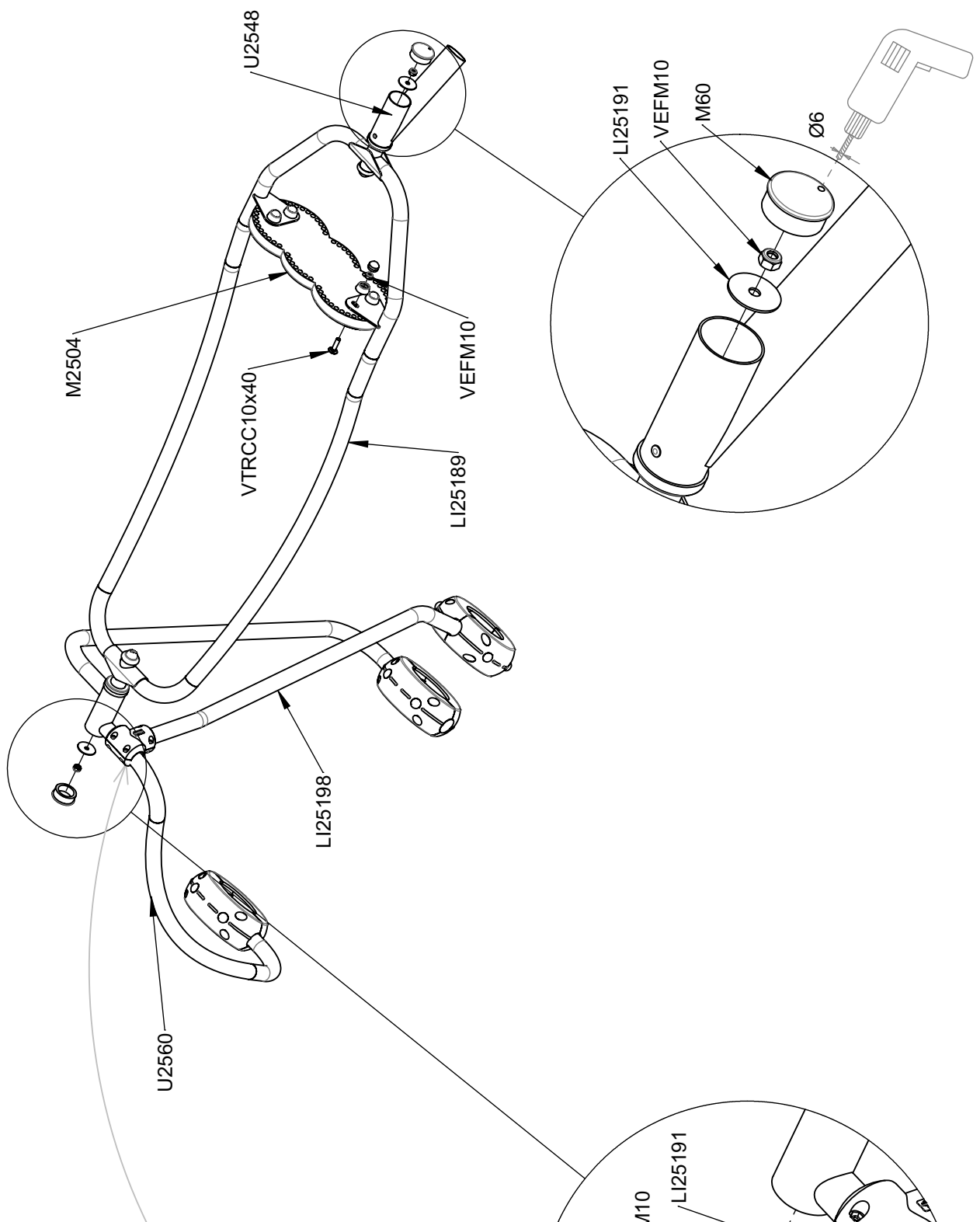
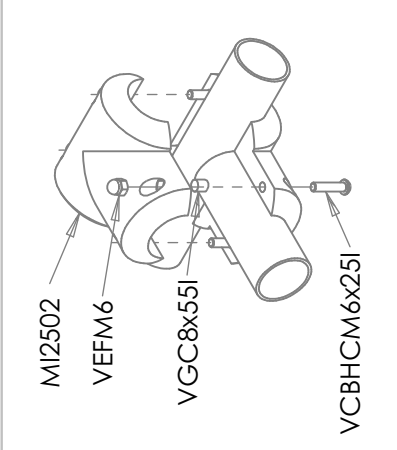


Réf	Qté
L125189	1
L125191	2
L125198	1
M60	2
M2504	1
M10310N	4
M10440N	16
M12501VX	6
M12502VX	2
M12508	24
M12510N	2
R2502	3
U2548	1
U2560	1
VBTR10X90	12
VCBHC6x25I	4
VEBM6	4
VECM10	12
VEFM10	6
VGC8x55I	2
VTRCC10x40	4
VTH6x60 AUTO	12

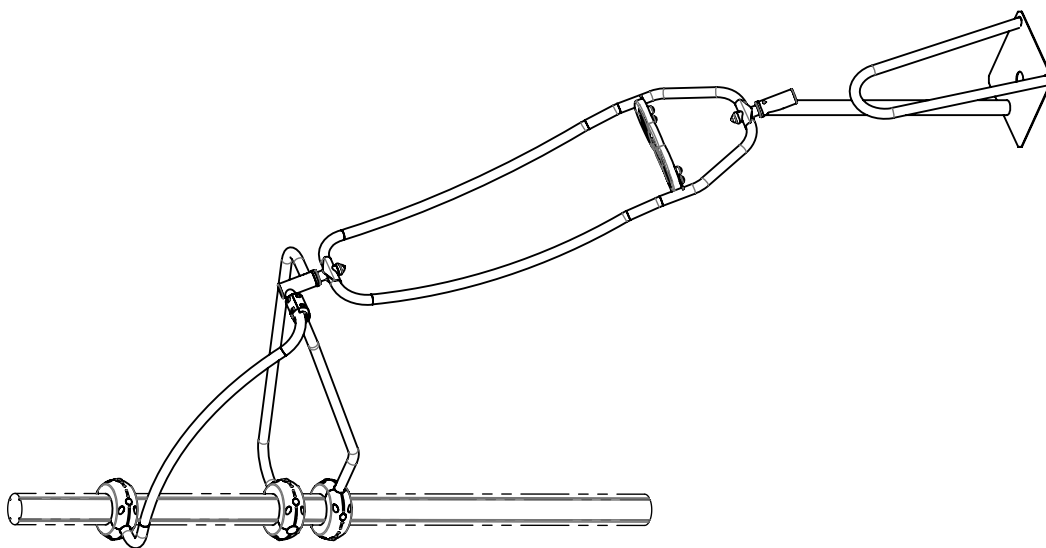
G2515M

2 / 3

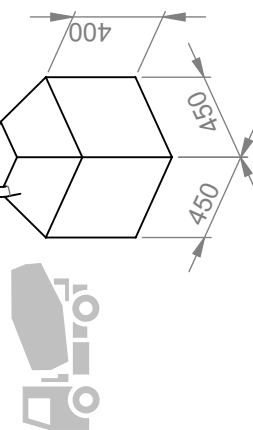
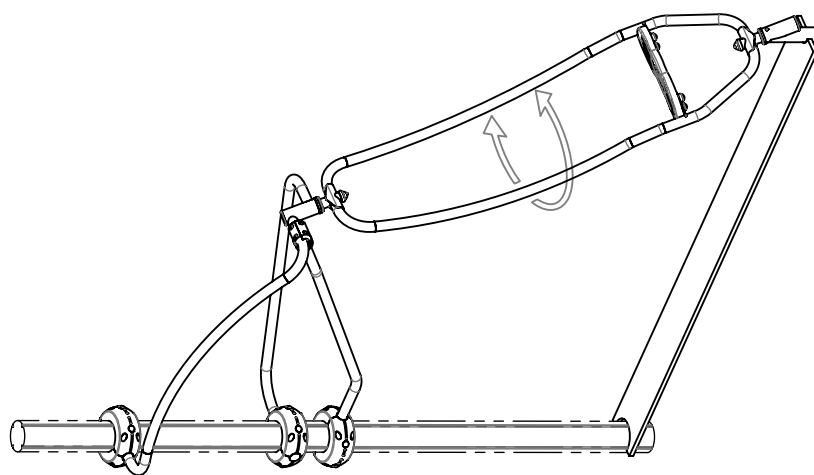
Prologic



①



②



③

