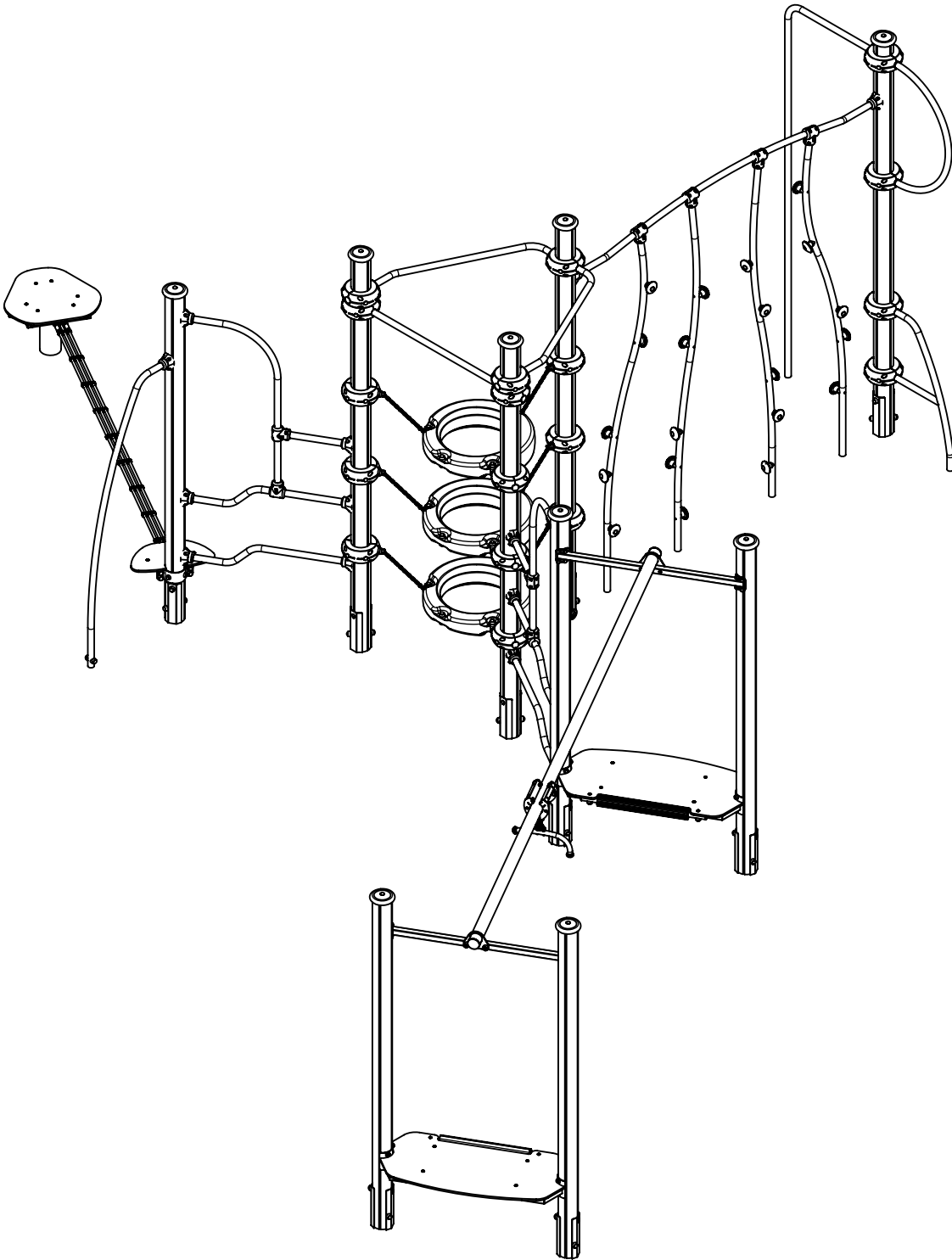


J2578

Proludic





N°		m ²
1	<0.6 m	33.5 m ²
2	2 m	6 m ²
3	2.72 m	42.5 m ²

— Zone d'impact
Impact area
Area de impacto
Fallraum
Valzone

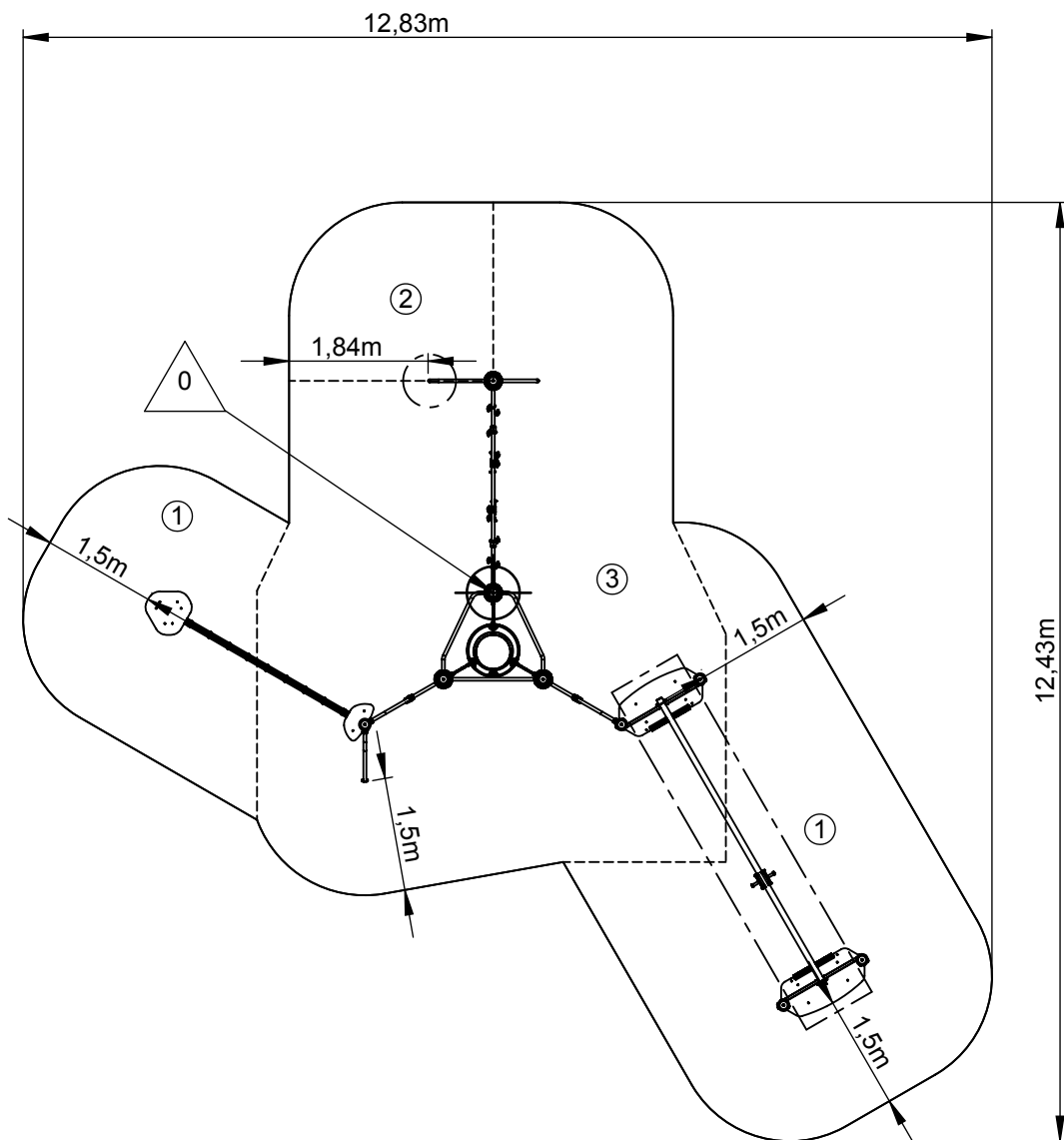


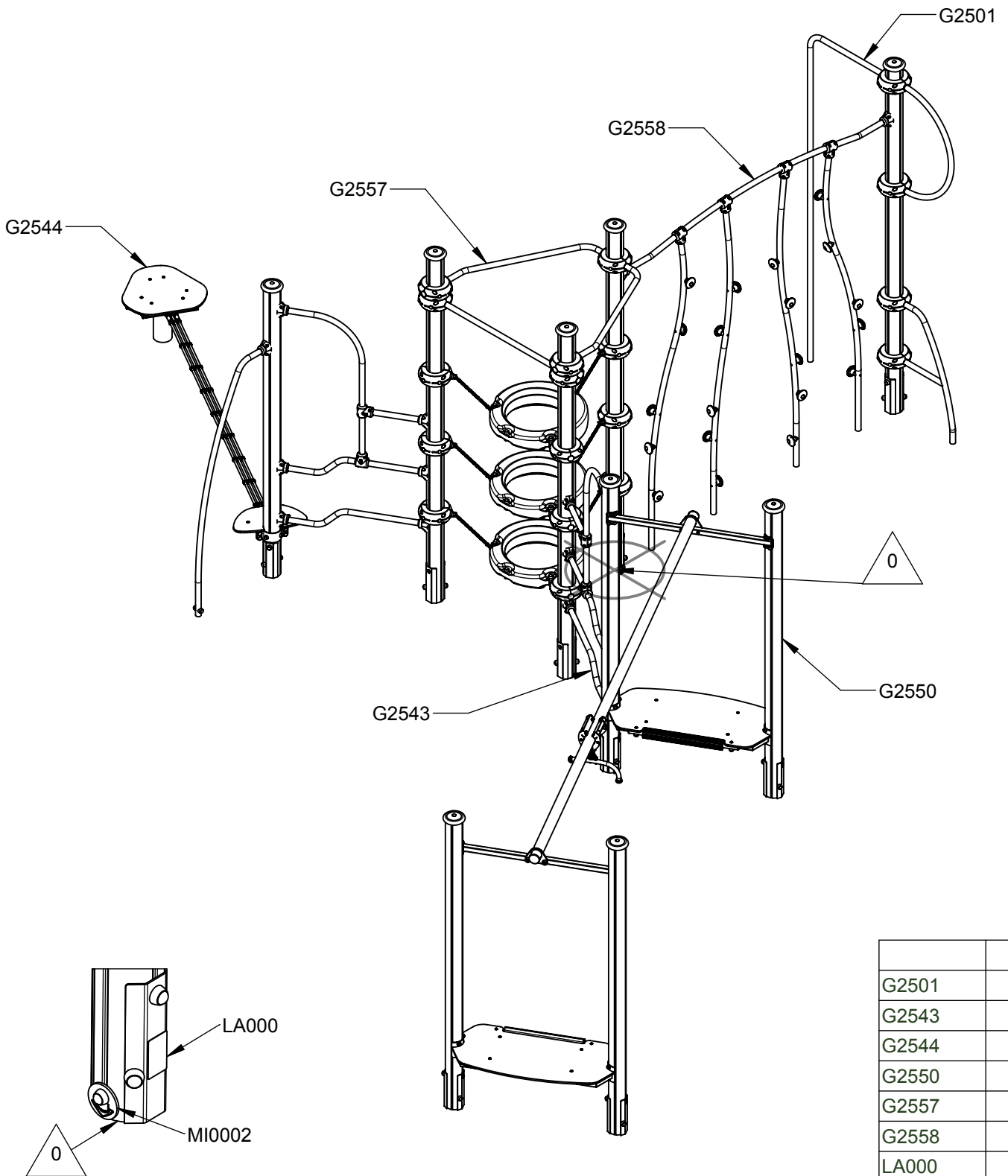
Point de référence
Setting out point
Punto de referencia
Bezugspunkt
Referentiepunt

- - - Espace libre
Free space
Espacio libre
Freiraum
Vrije ruimte

EN1176-1 : 2017

EN1176-4 : 2017

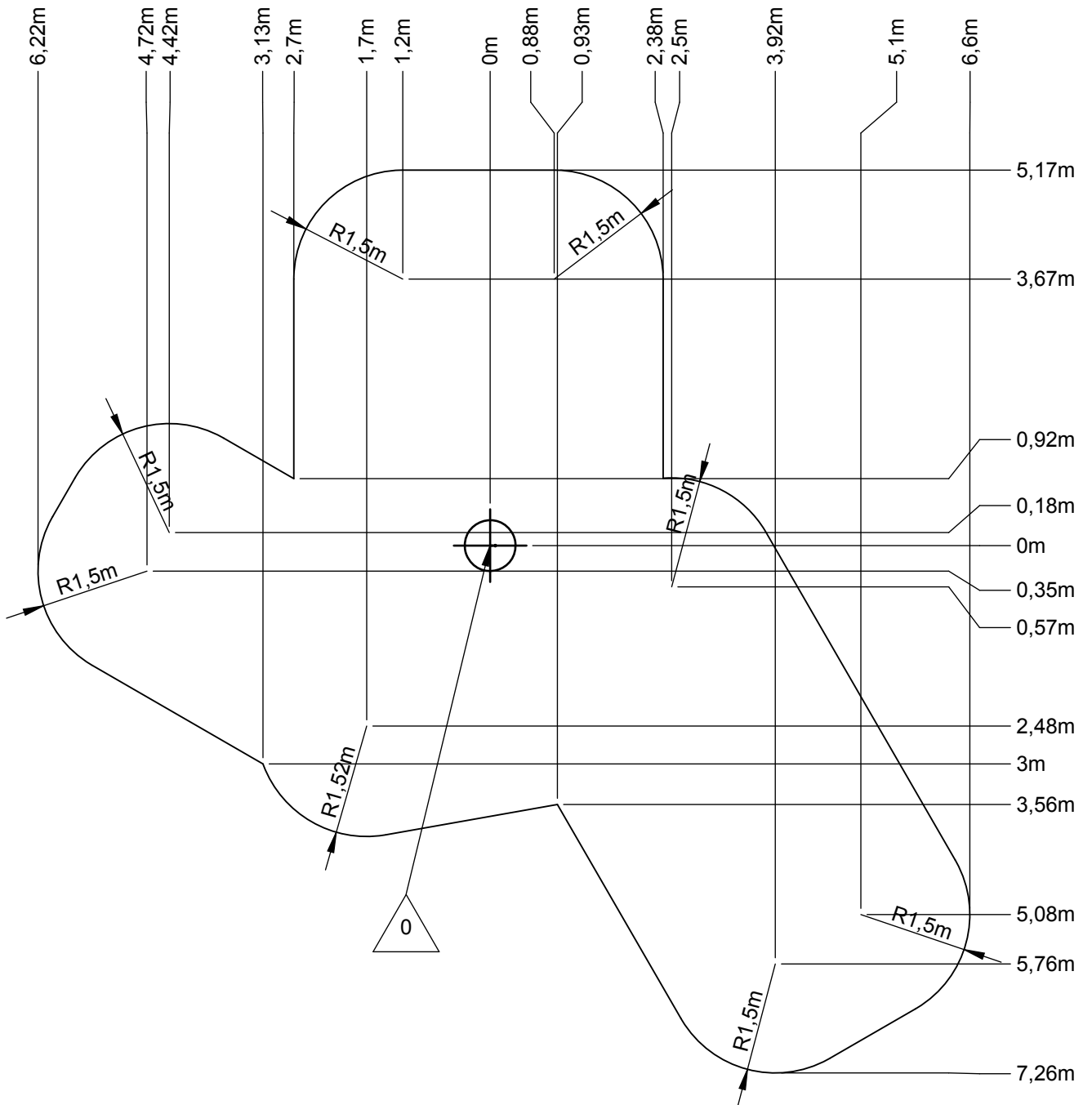




G2501	1
G2543	1
G2544	1
G2550	1
G2557	1
G2558	1
LA000	1
M8310N	1
M8440N	1
MI0002	1
VTF10x60	1

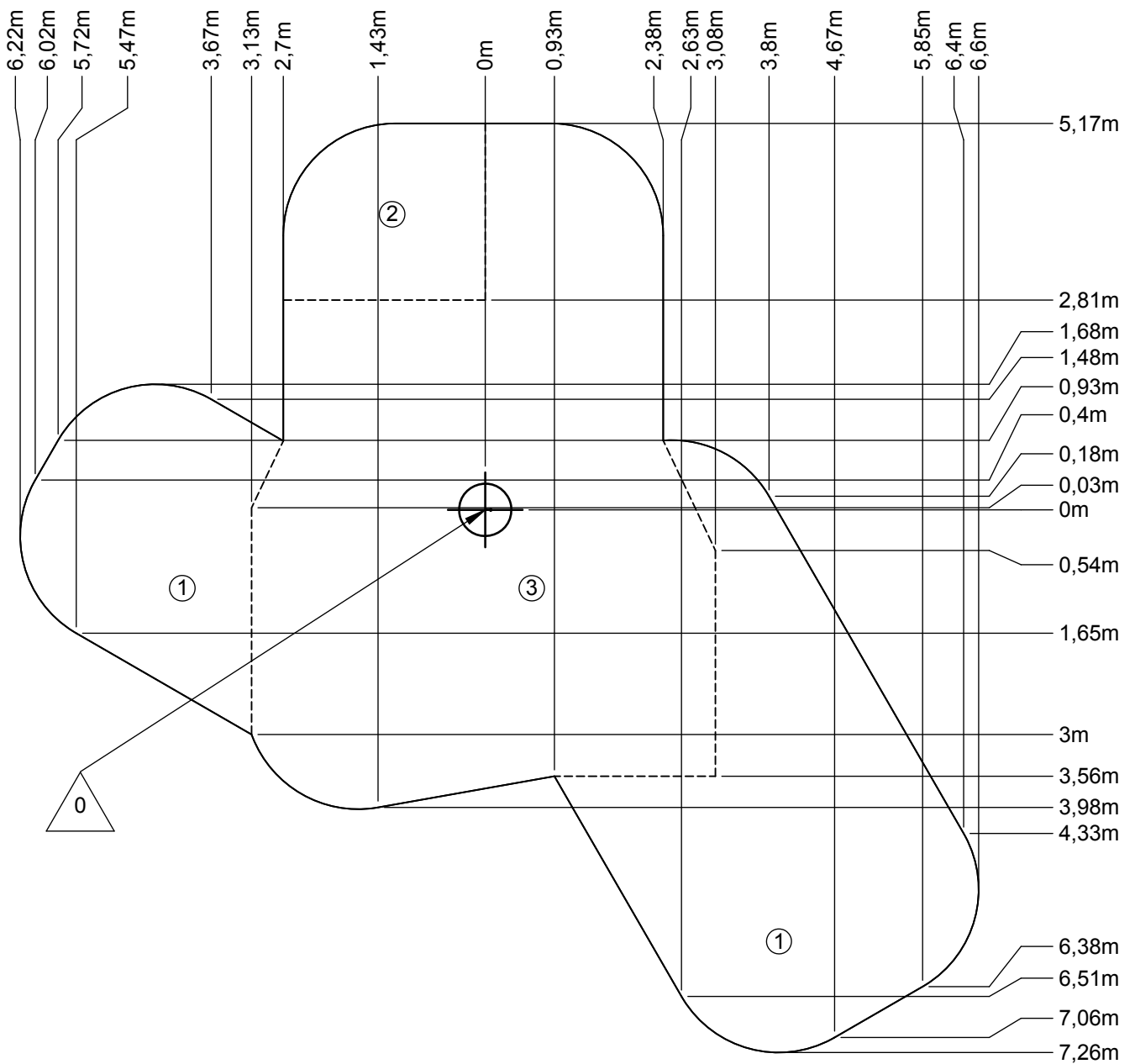
— Zone d'impact
 Impact area
 Area de impacto
 Fallraum
 Valzone

82 m²



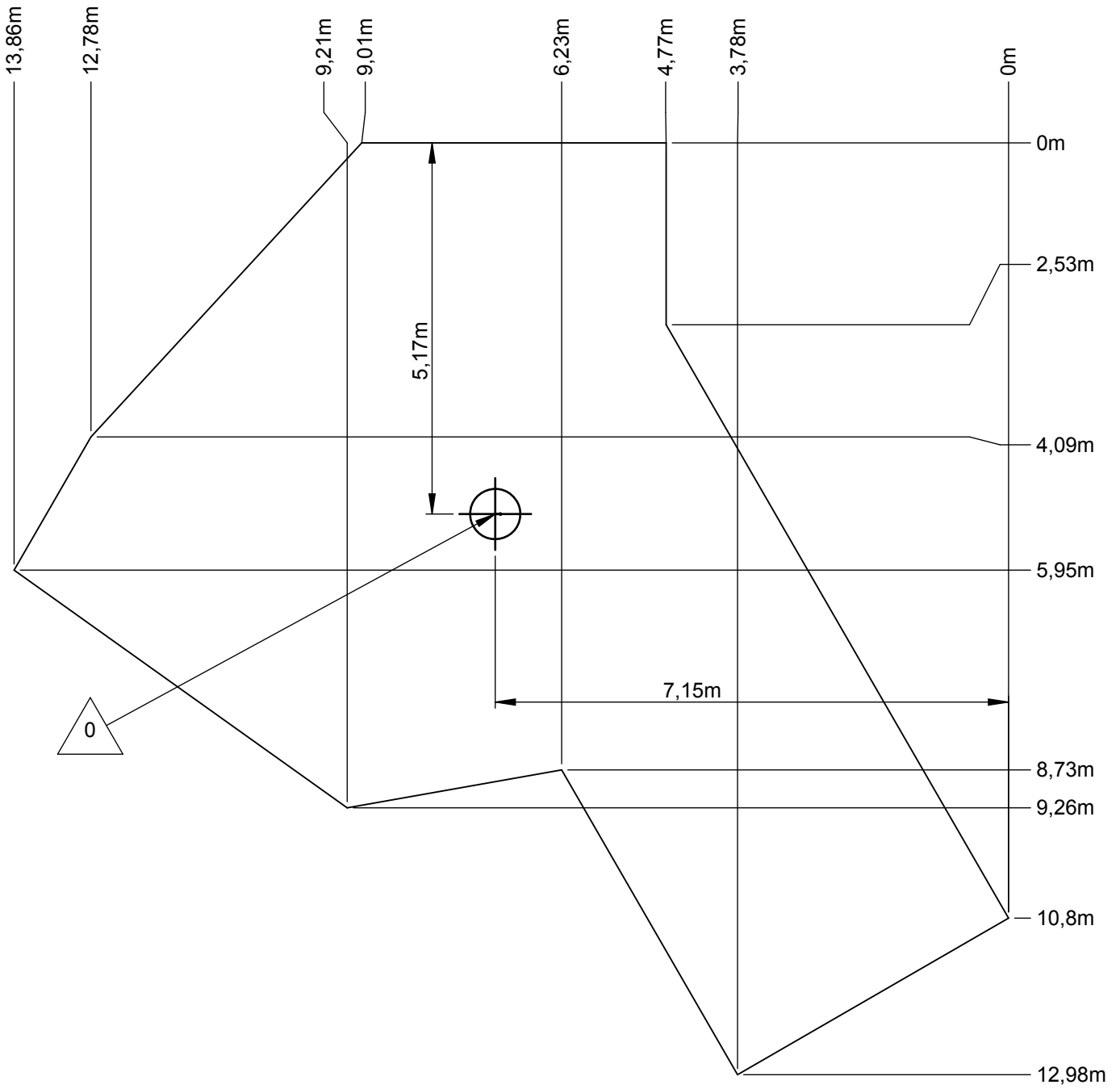
— Sol souple
 Wetpour
 Caucho continuo
 Synthetischer fallschutz
 Gietvloer

82 m²



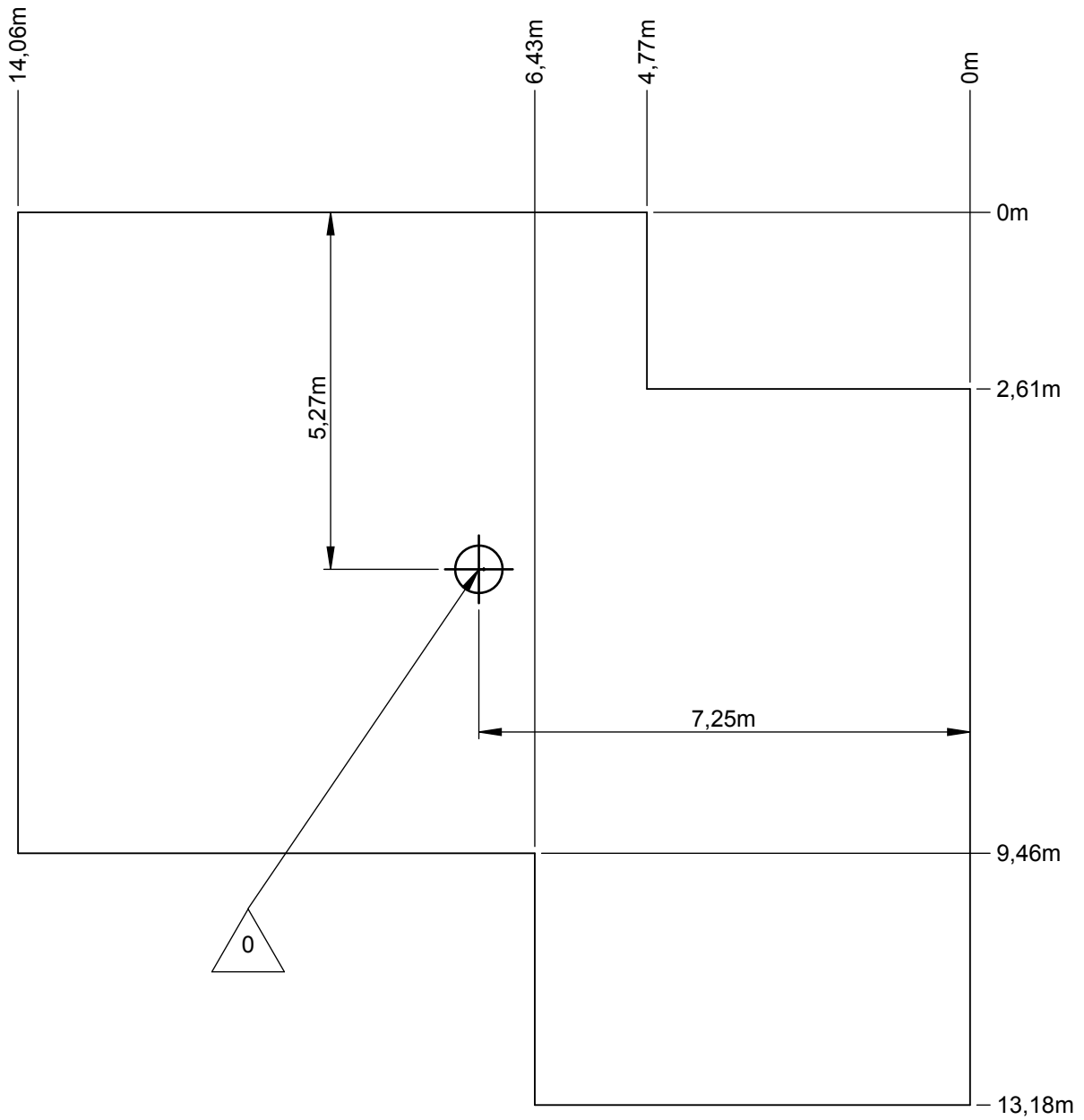
— Dalle béton
 Concrete pad
 Solera de hormigon
 Beton bodenplatte
 Betonnen bodemplaat

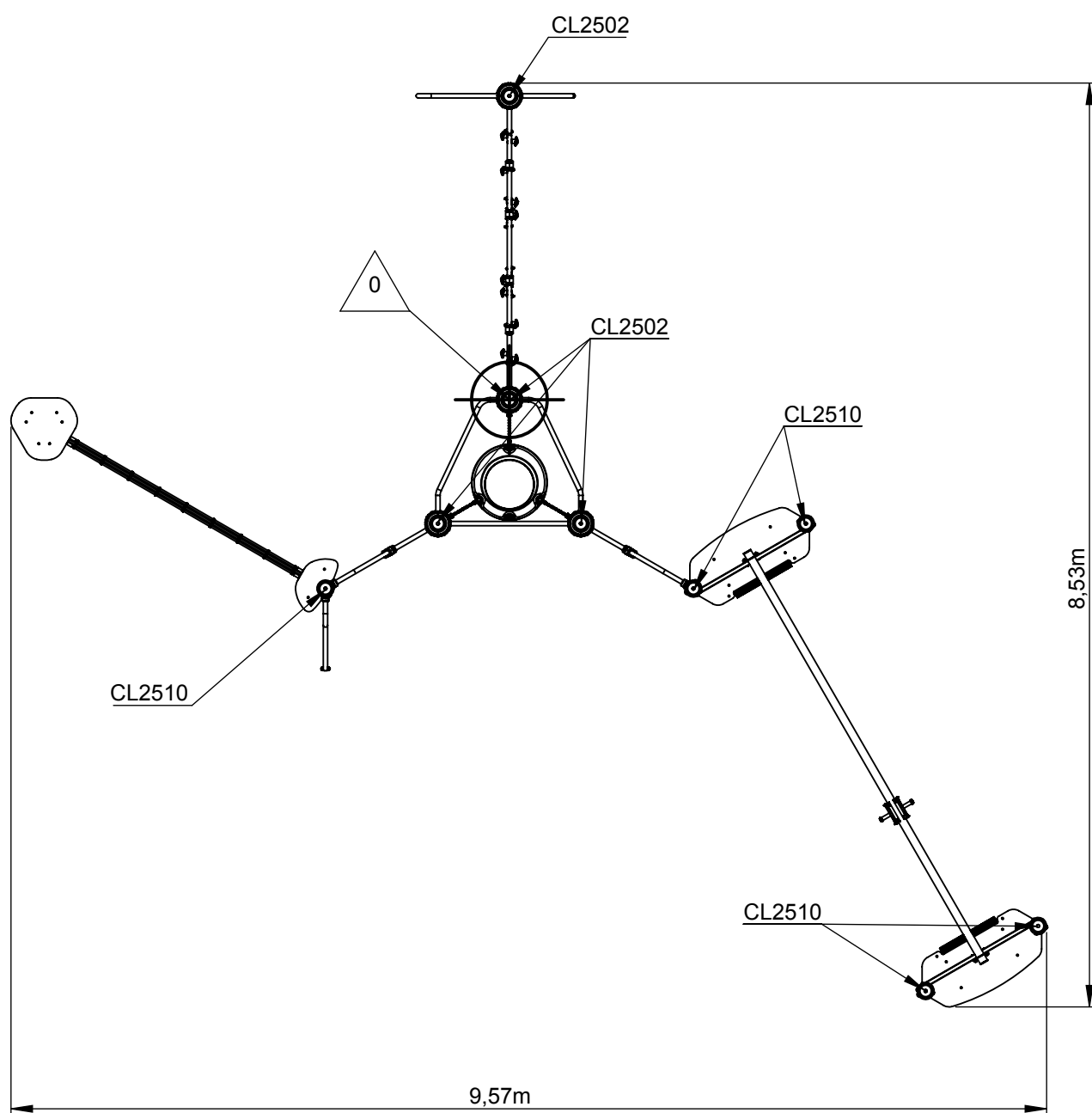
43 m
 90 m²

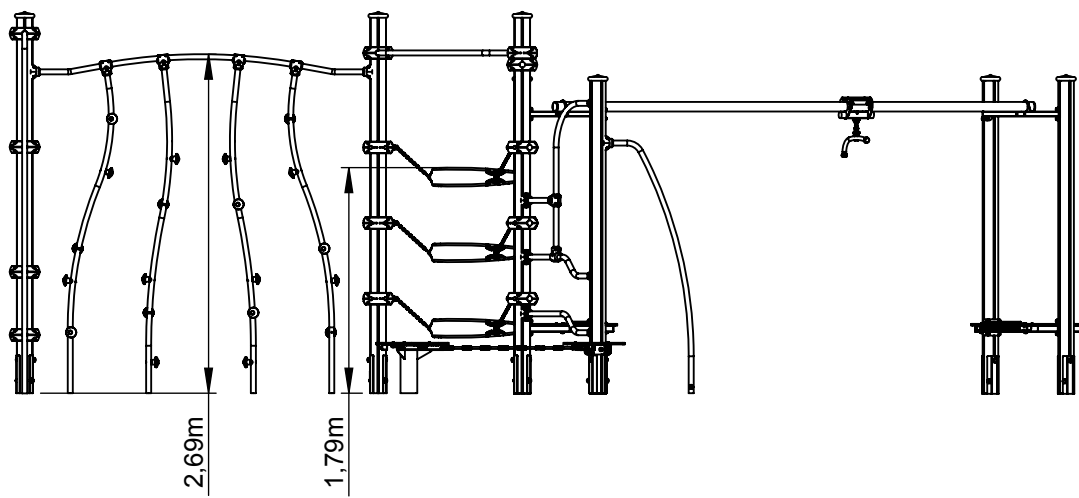
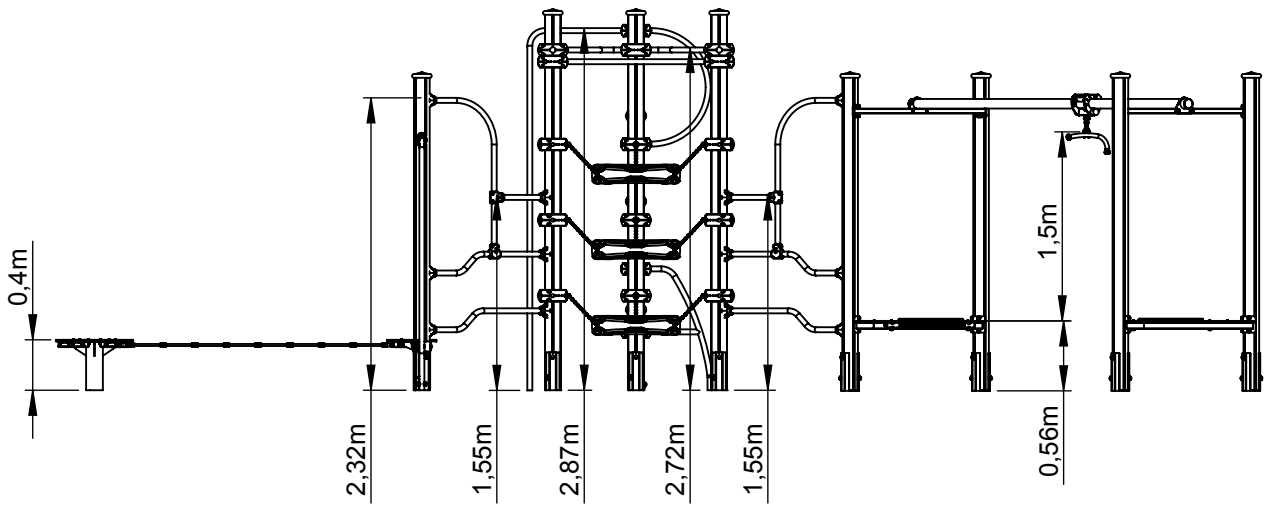


— Sol fluent
 — Loos partucule material
 — Arenero
 — Loses Bodenmaterial
 — Los bodemmateriaal

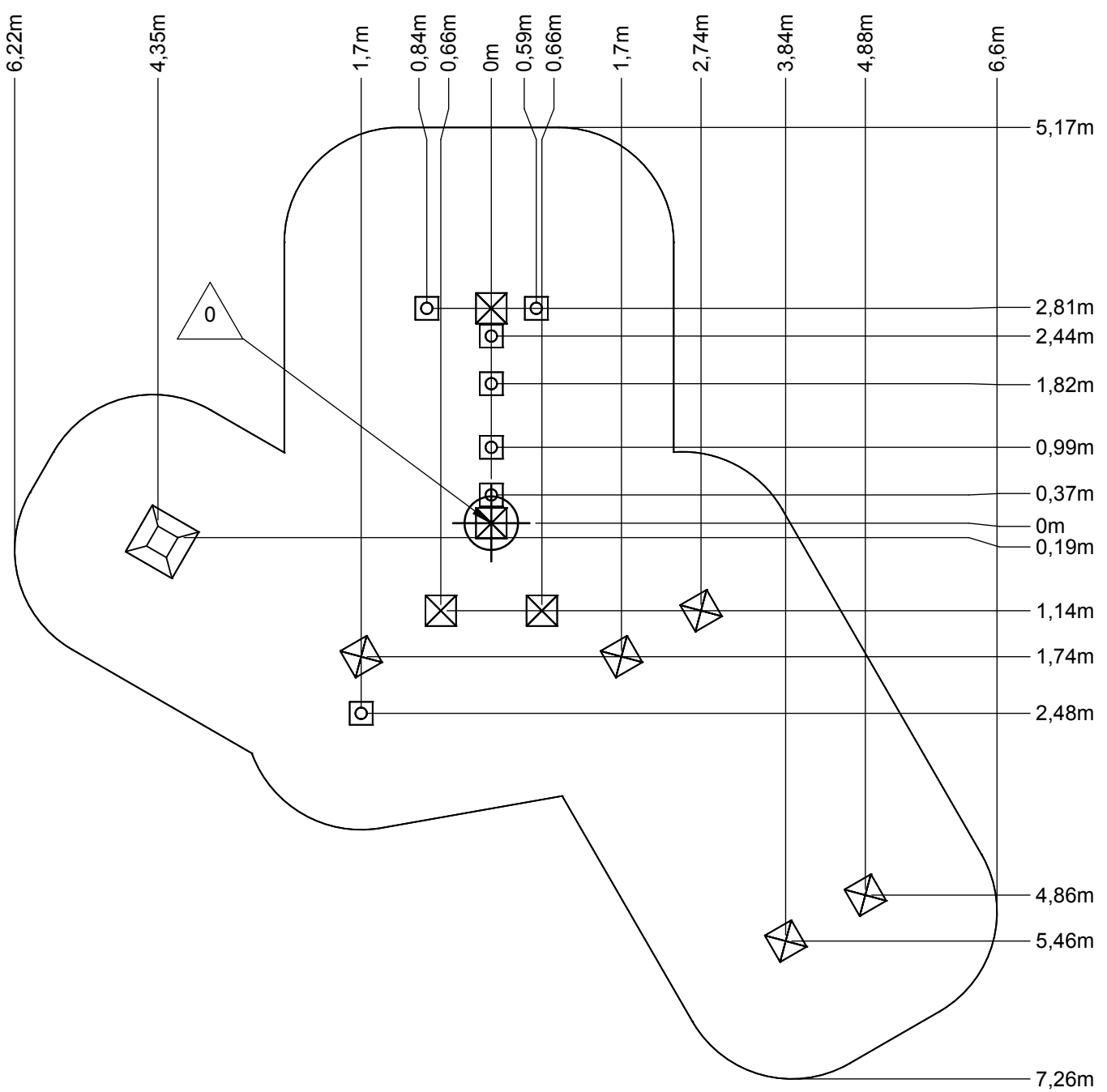
56 m
144 m²



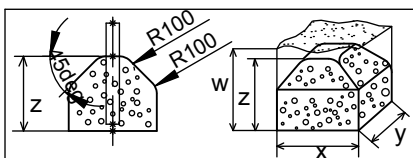







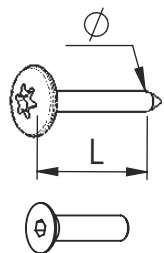
Implantation
 Footing plan
 Implantación
 Fundamentplan
 Funderingstekening



 x2
 5H
 1.2 m³



	x	y	z	w
	0.3	0.3	0.3	0.6
	0.4	0.4	0.3	0.7
	0.7	0.7	0.5	0.7



VBT 6 x 30
 \varnothing \uparrow L (mm)

VFHC



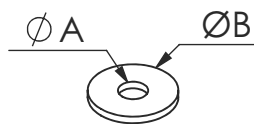
VEC M10
 \varnothing



VEF



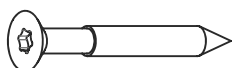
VEB



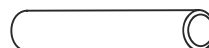
VR6x18
 $\varnothing A$ $\varnothing B$

1000 - 1800 tr/min
 Vitesse de rotation
 Rotation speed

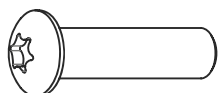
14 N.m
 Couple de rupture
 Torque of break



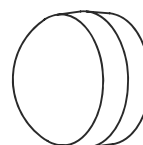
VWT



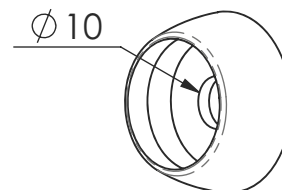
VGC



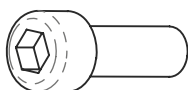
VCBHC



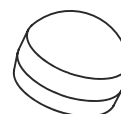
M10 440N



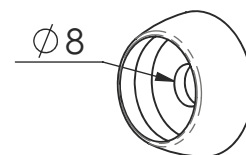
M10 310 N



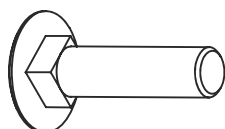
VBTR



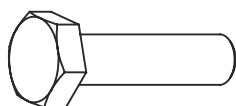
M8440N



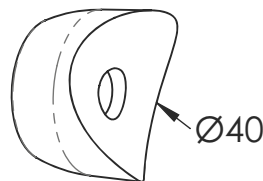
M8310N



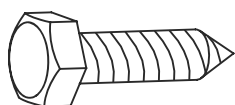
VTRCC



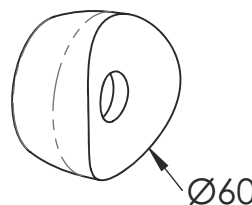
VTH



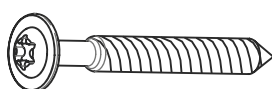
MI2503



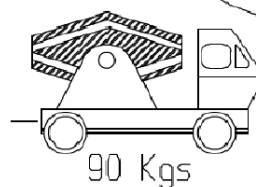
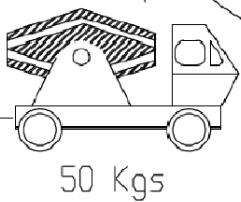
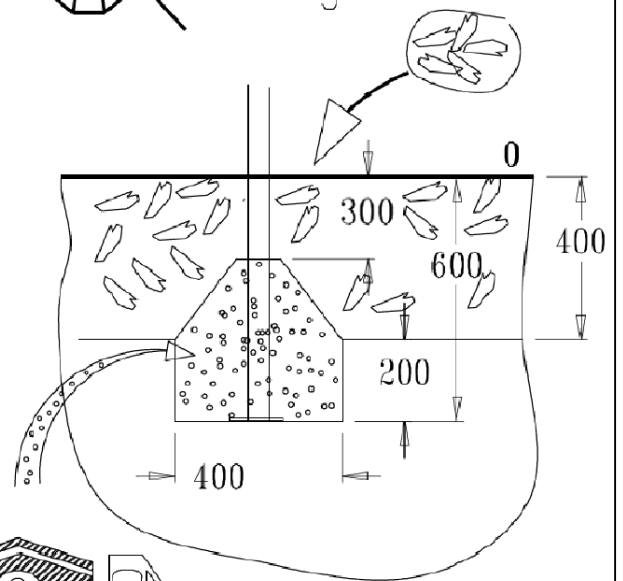
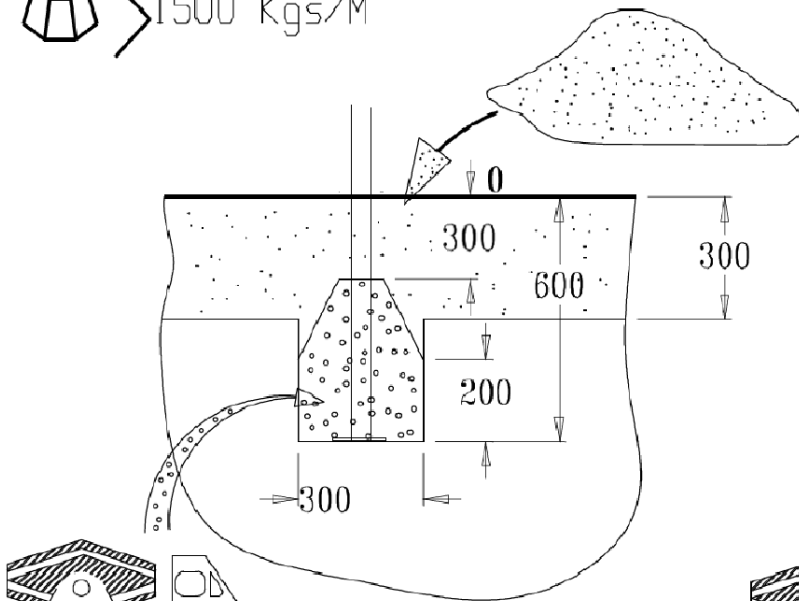
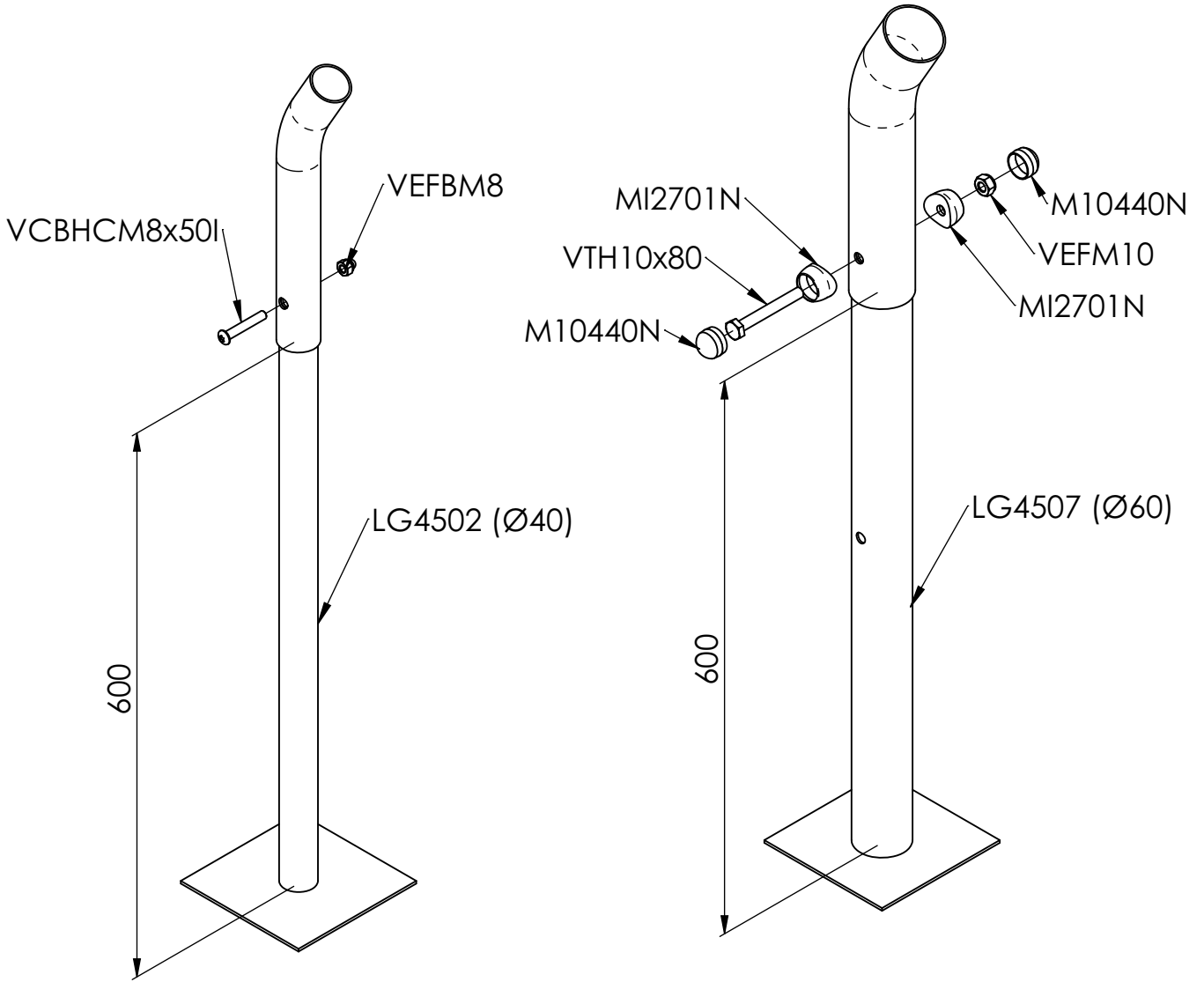
VTF

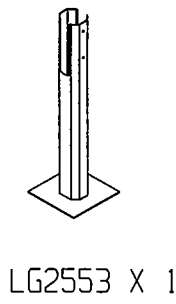
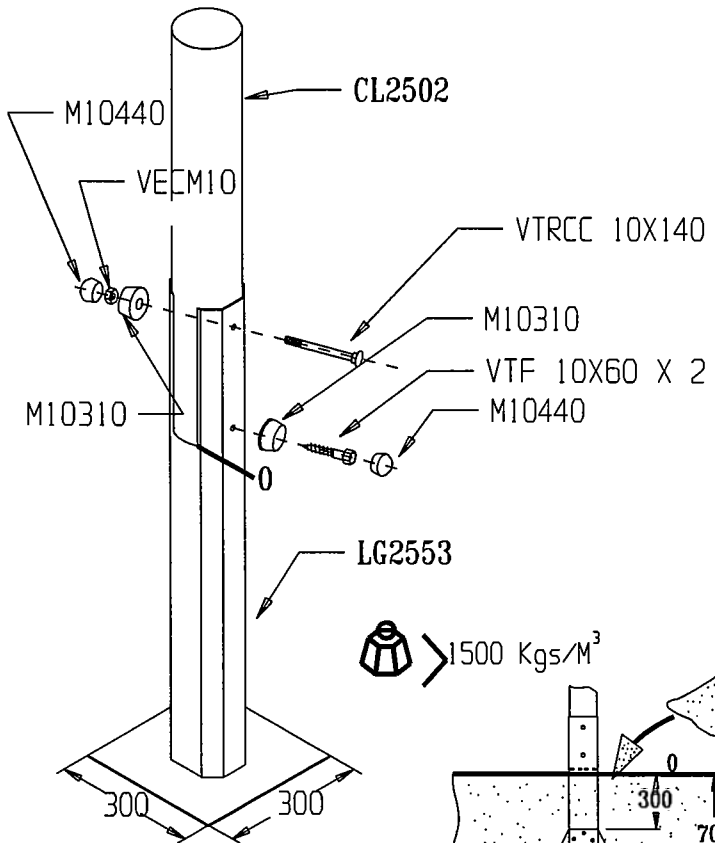


MI2701

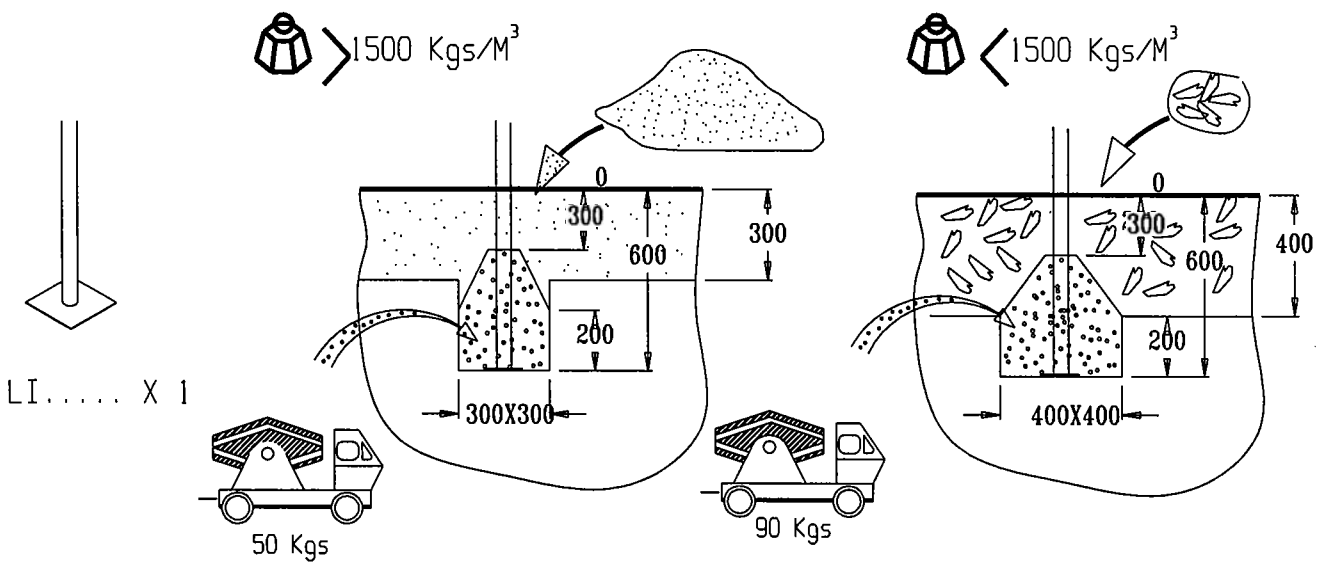
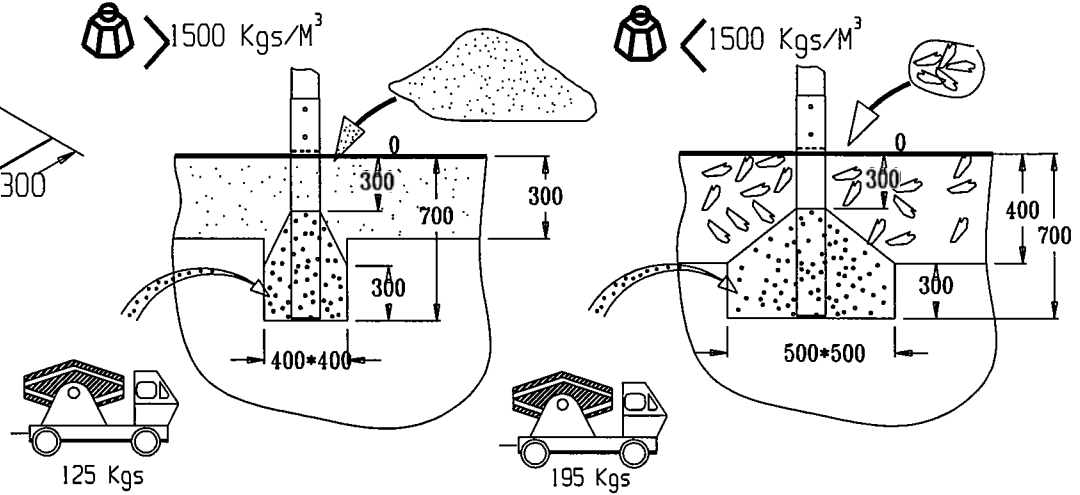


VBT

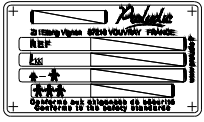




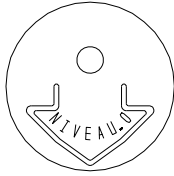
	VTRCC 10x140	1
	VECM10	1
	VTF 10x60	2
	M10310	3
	M10440	3



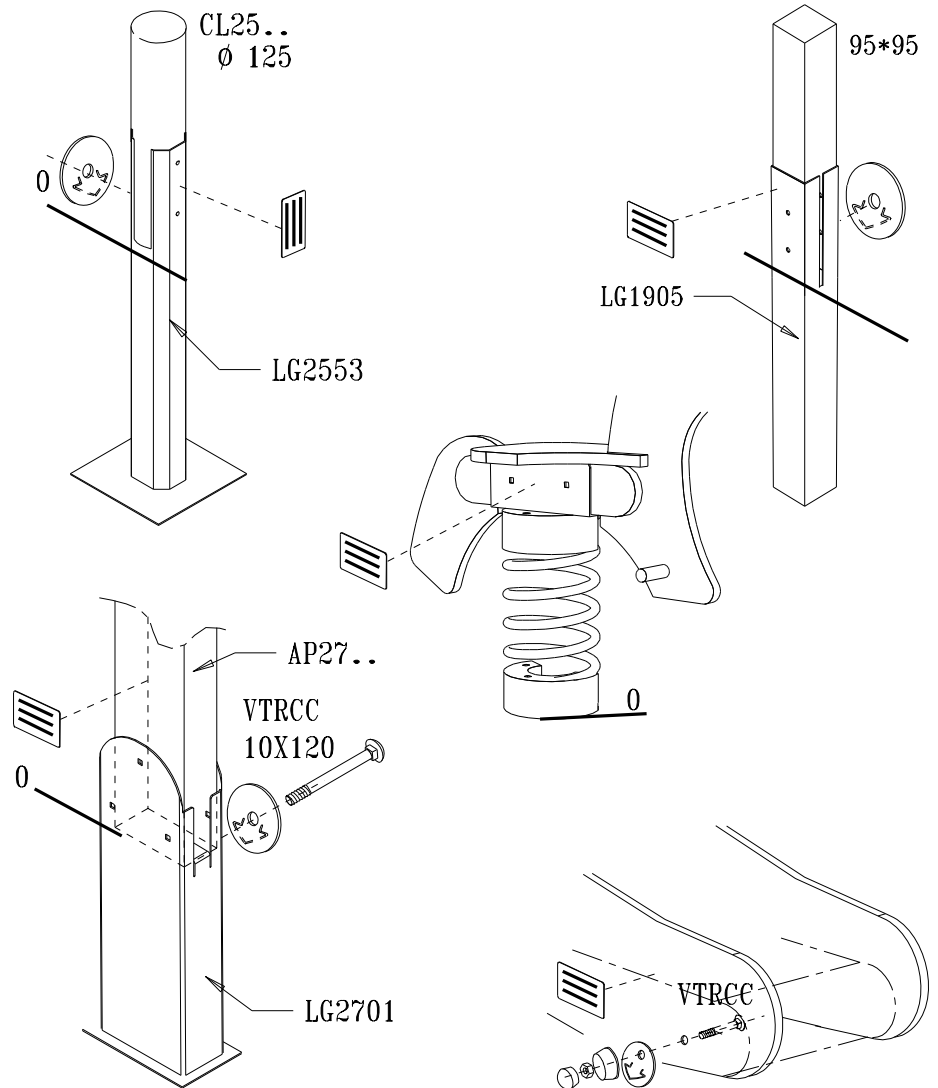
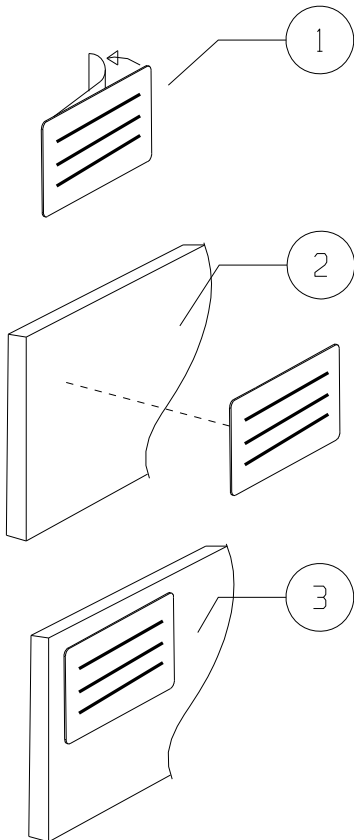
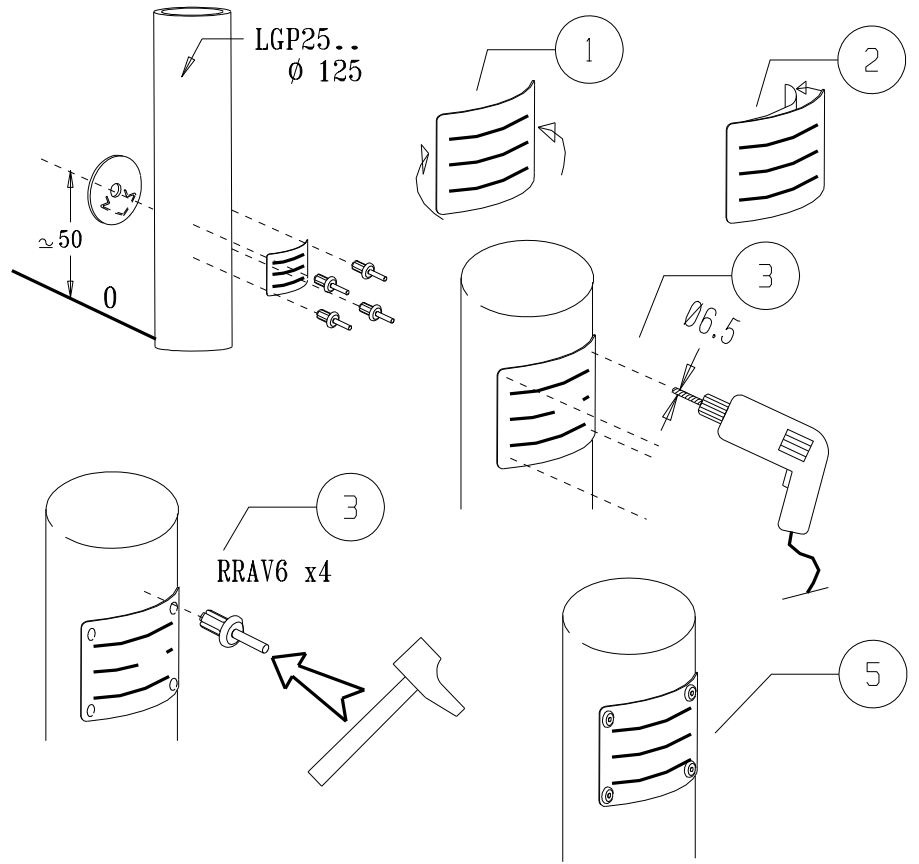
LI..... X 1



LA000

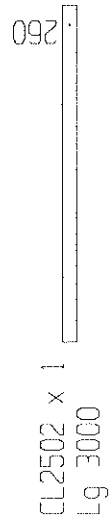
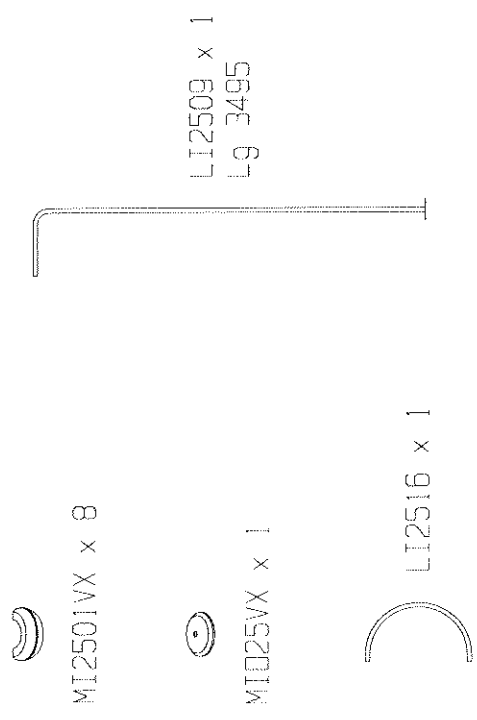
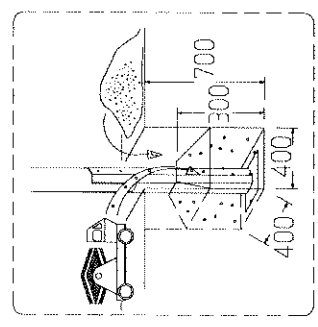
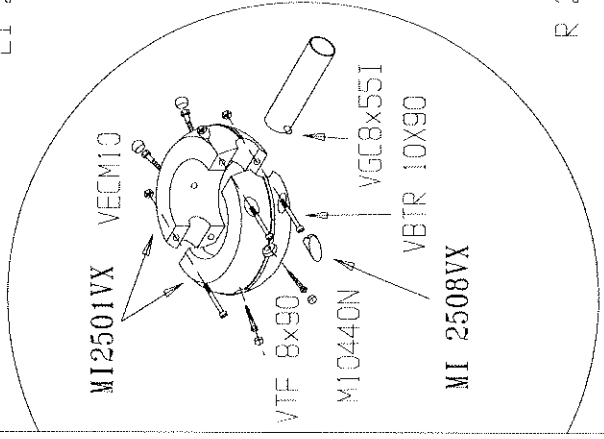
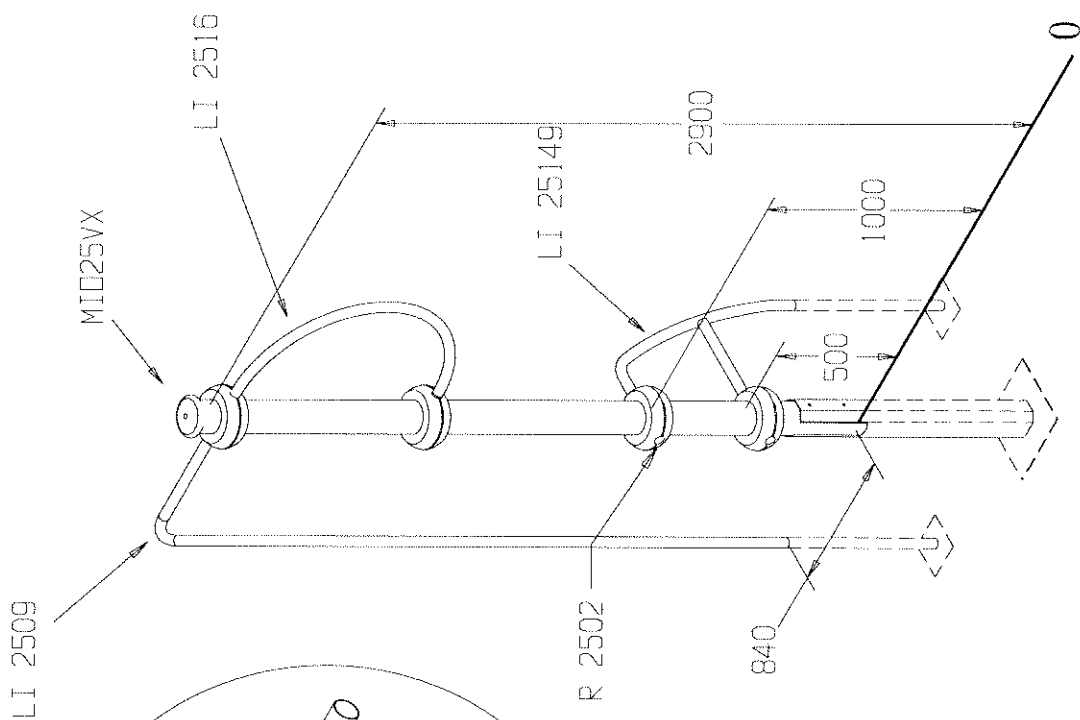


MI0002

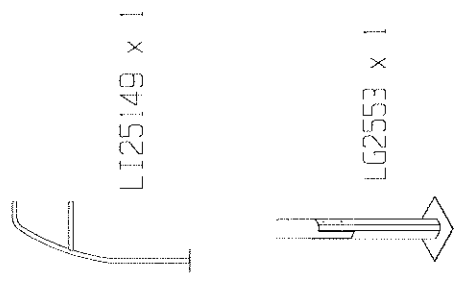


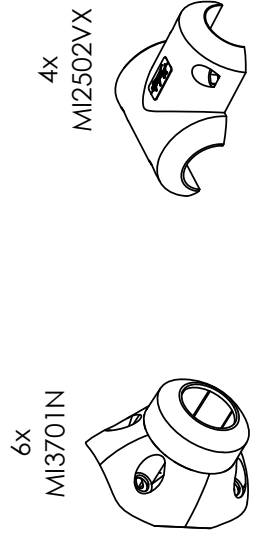
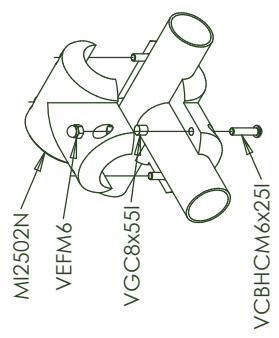
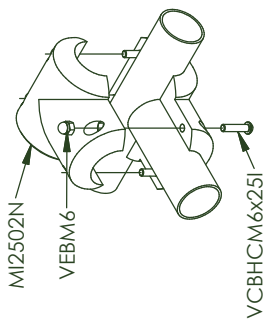
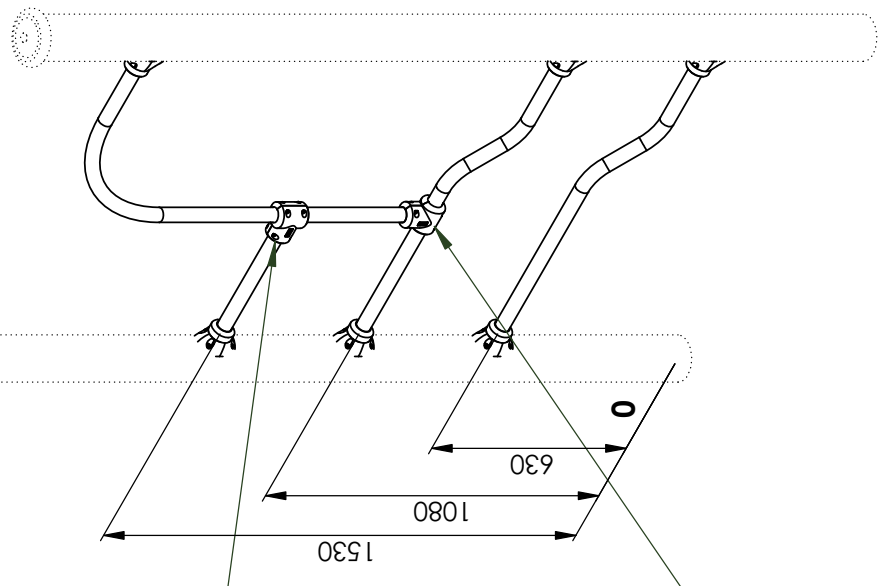
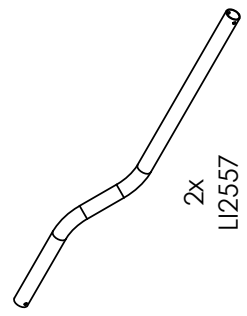
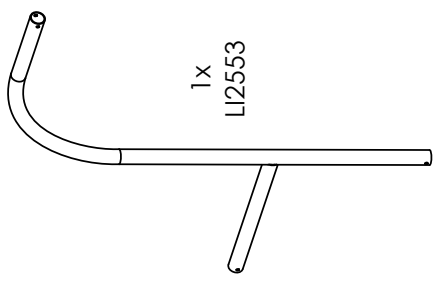
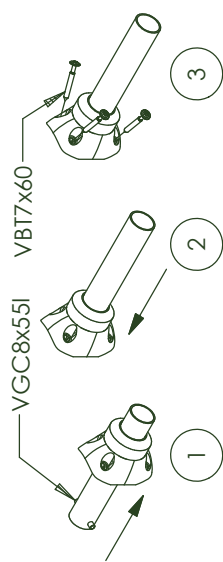
G2501

09/09/2012 *ProLudic*



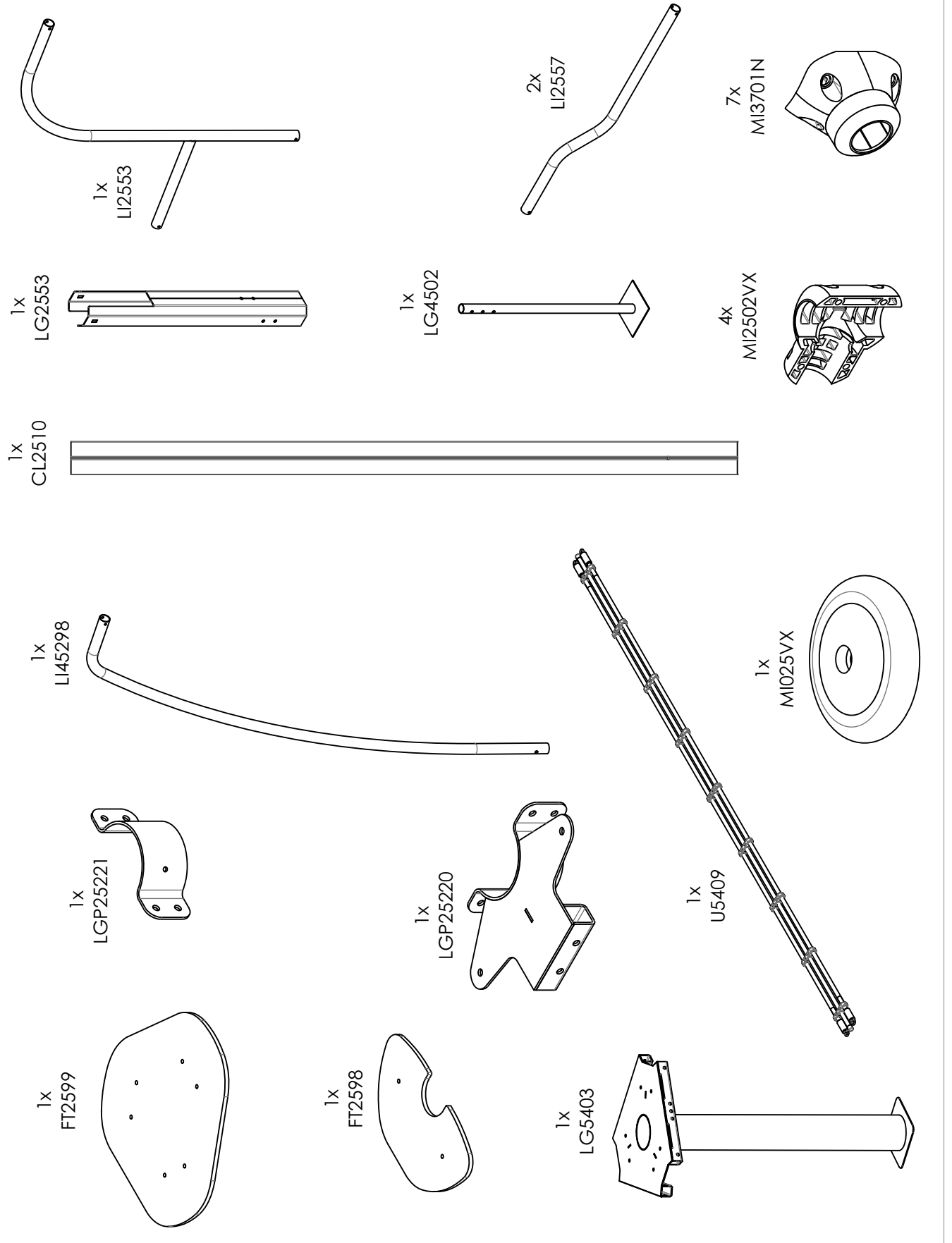
	VGC8*55I	3
	VBT 7x60	1
	VTF 8x90	16
	VTF 10x60	2
	VTRCC10x140	1
	M10440N	20
	M10310N	3
	VECM10	17
	VBTR 10x90	16
	MI 2508VX	32
	R 2502	3

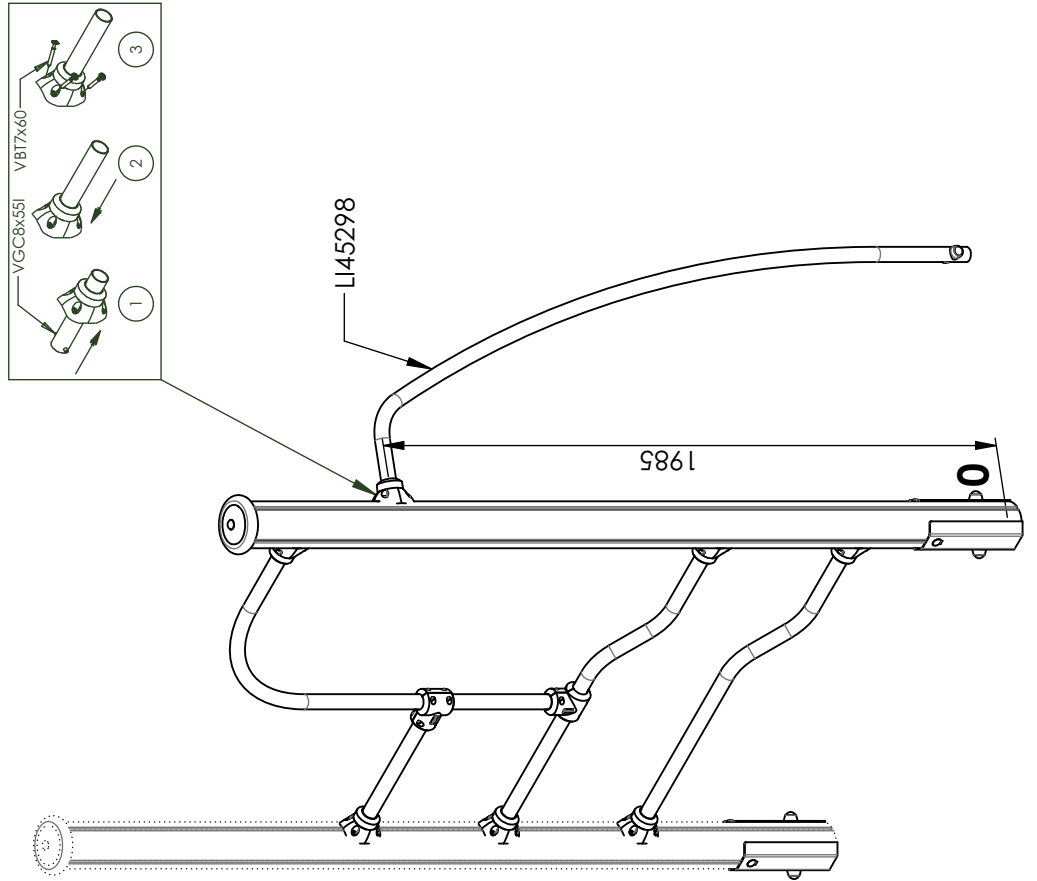
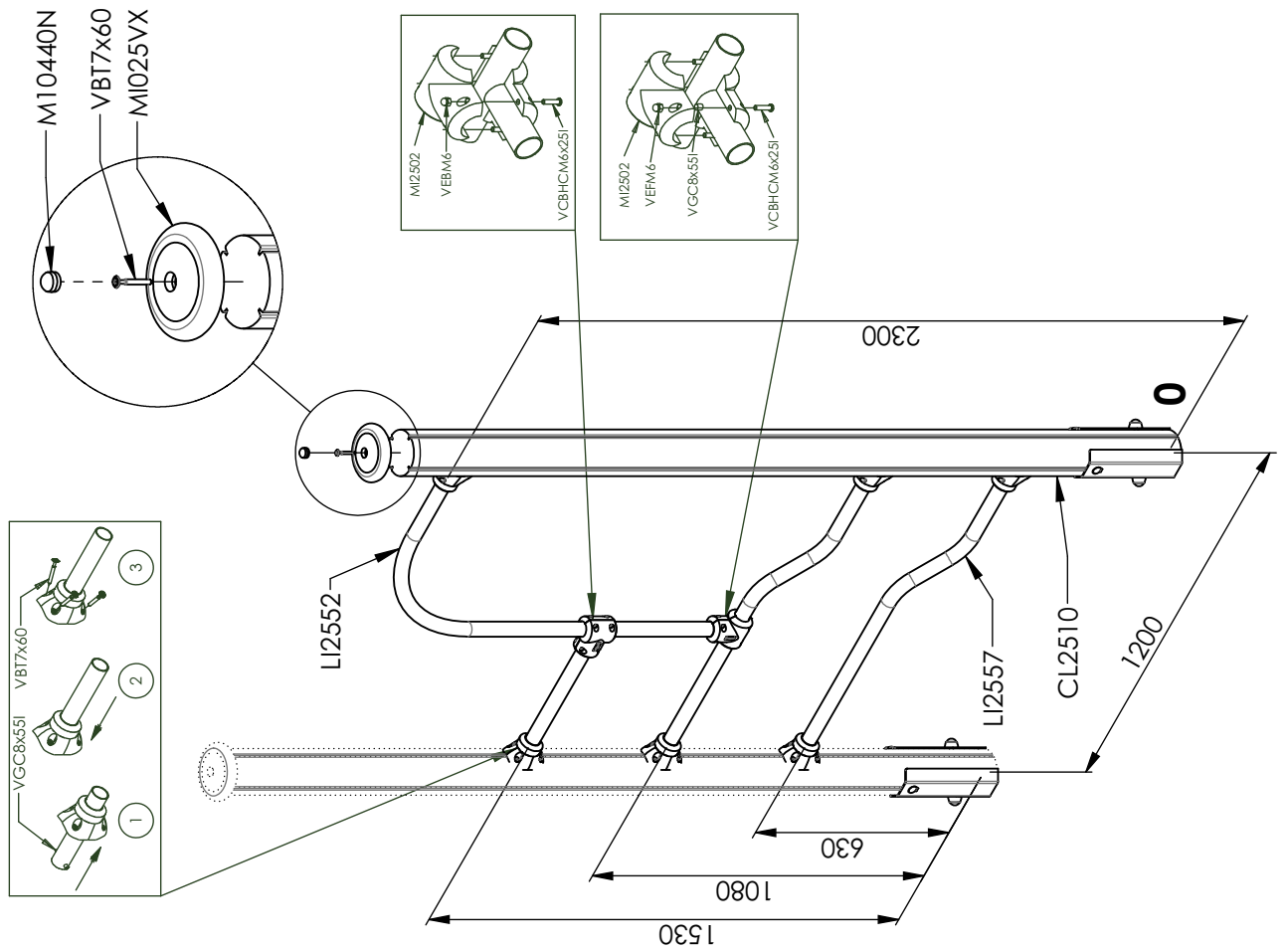




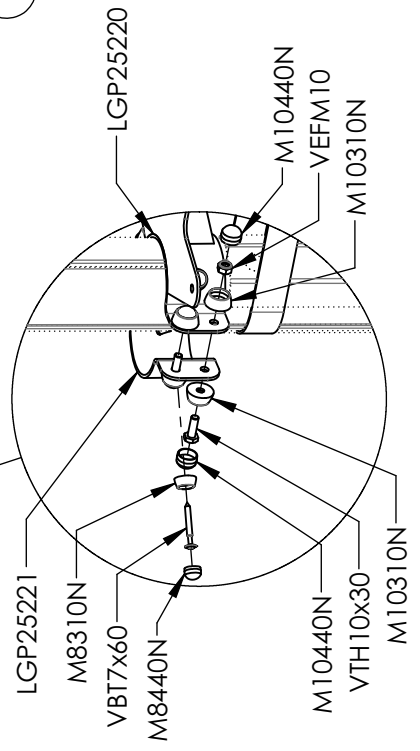
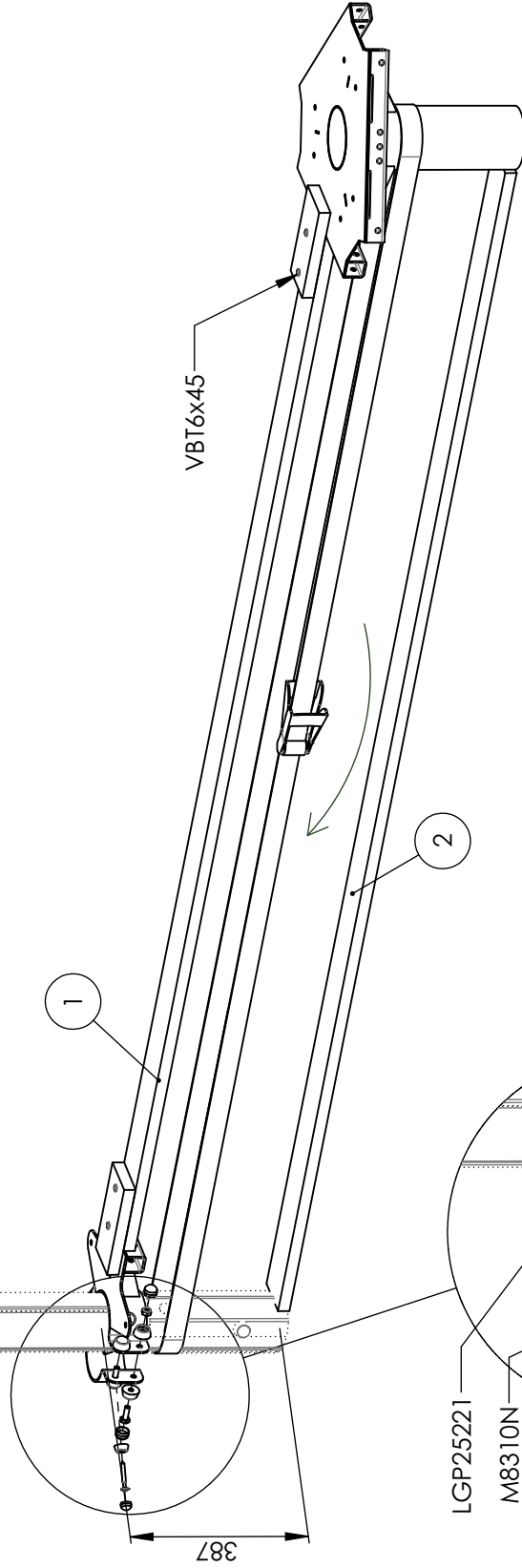
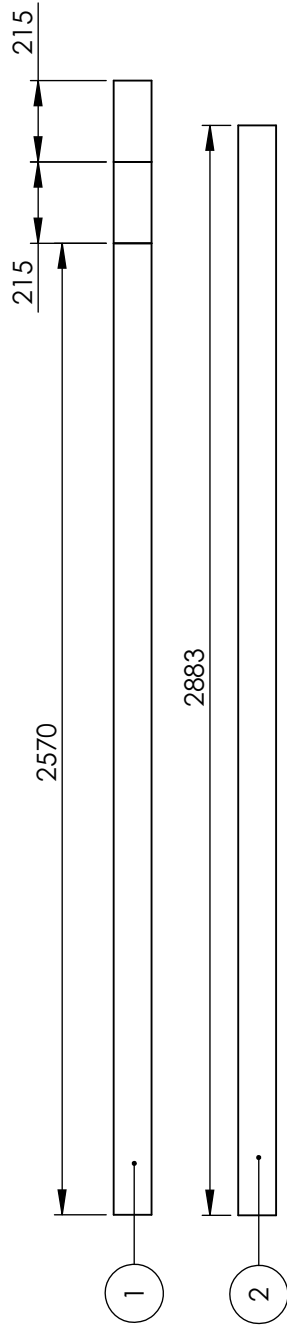
LI2557	2
LI2553	1
MI2502VX	4
MI3701N	6
VCBHCM6x25I	8
VEBM6	8
VGC8x55I	7
VB7x60	24

CL2510	1
FT2598	1
FT2599	1
LG2553	1
LG4502	1
LG5403	1
LGP25220	1
LGP25221	1
LI035	4
LI2553	1
LI2557	2
LI45298	1
M11	13
M4040	8
M8310N	4
M8440N	4
M10310N	23
M10440N	22
MI025VX	1
MI32N	4
MI2502VX	4
MI2503N	2
MI3701N	7
U5409	1
VB17x60	33
VCBHC6x25I	8
VCBHC10x30I	8
VEBM6	8
VEFM10	18
VGC8x55I	8
VTF10x60	2
VTH10x30	4
VTH10x60	1
VTRCC10x140	1
VEFBM10	4



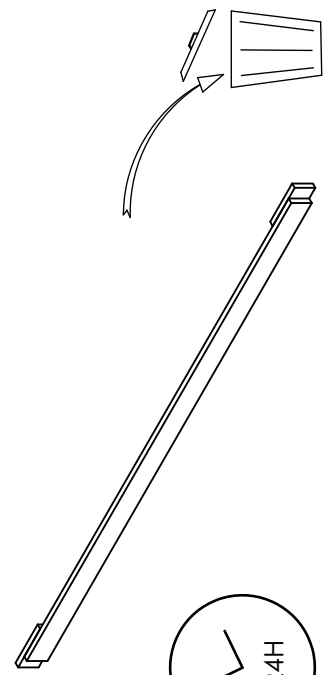
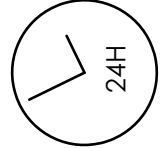


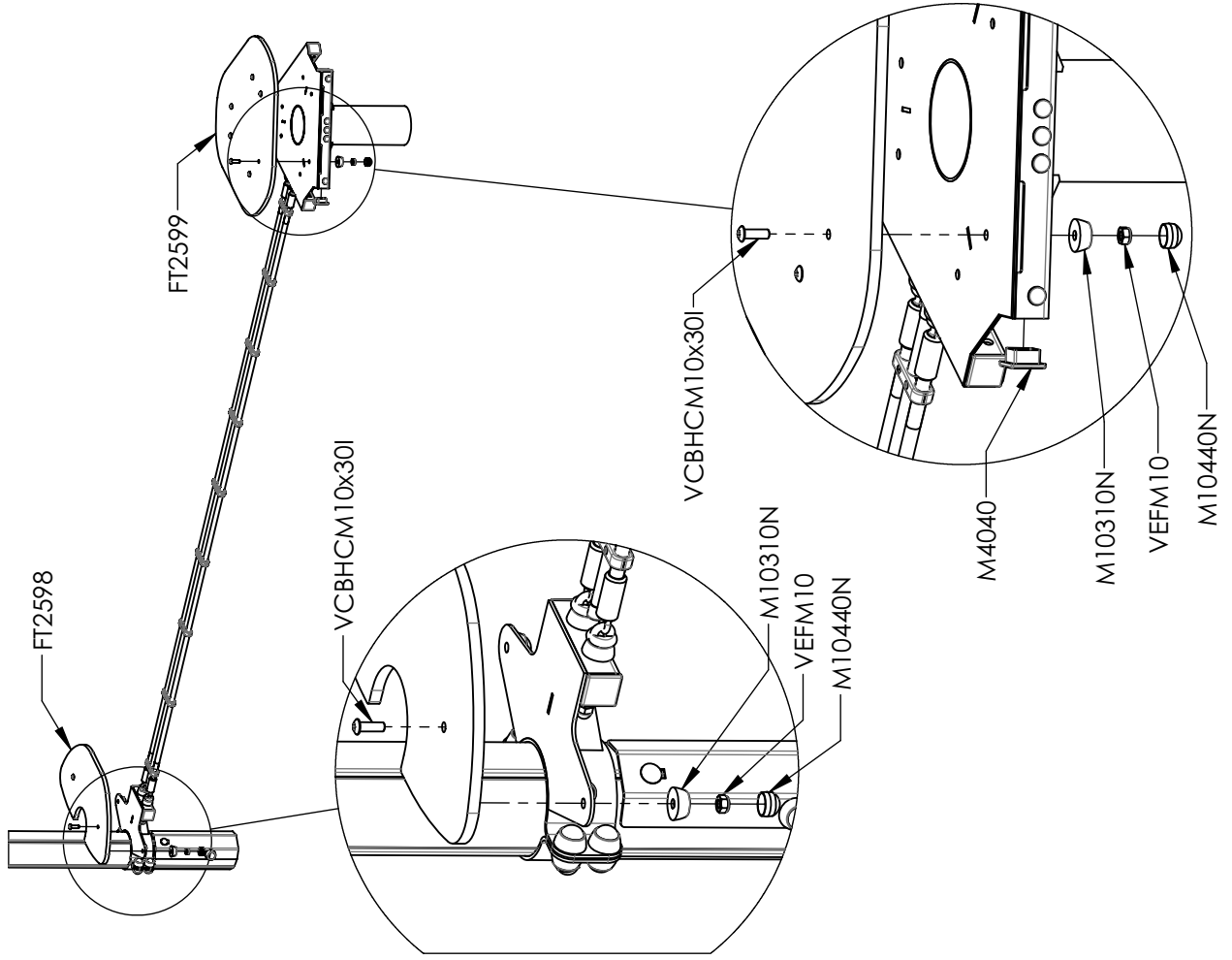
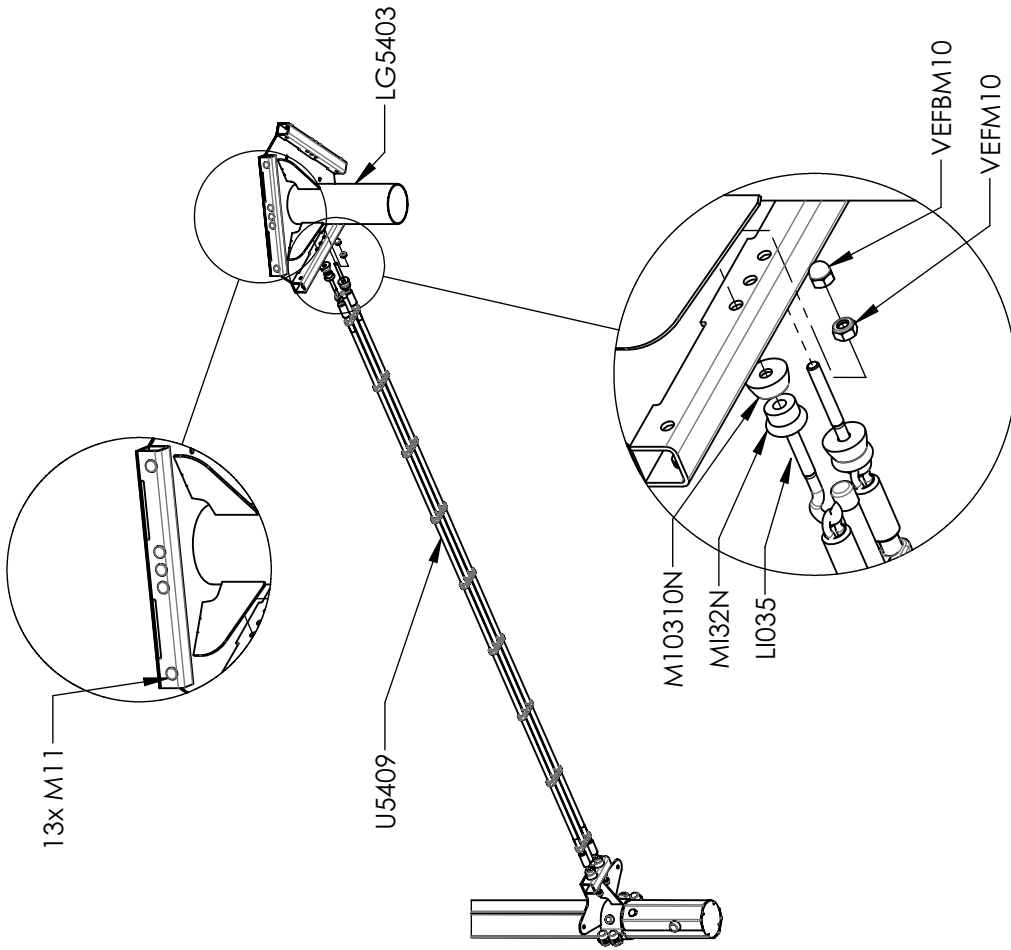
1



2

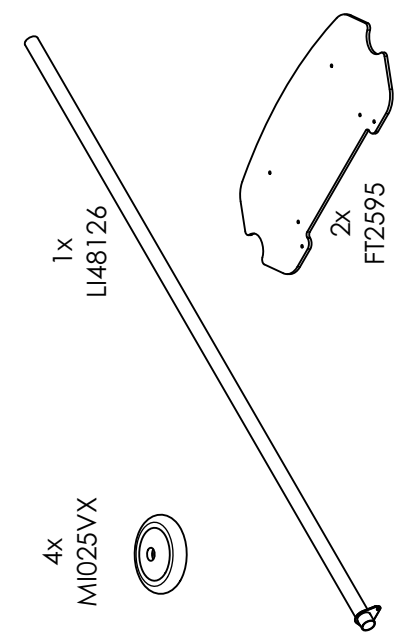
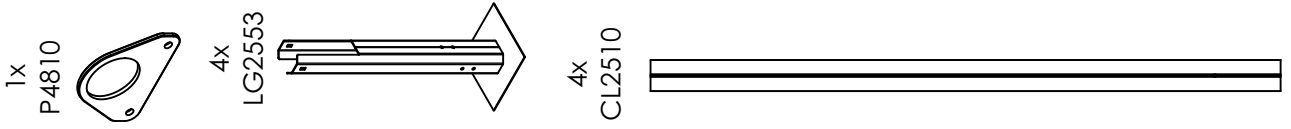
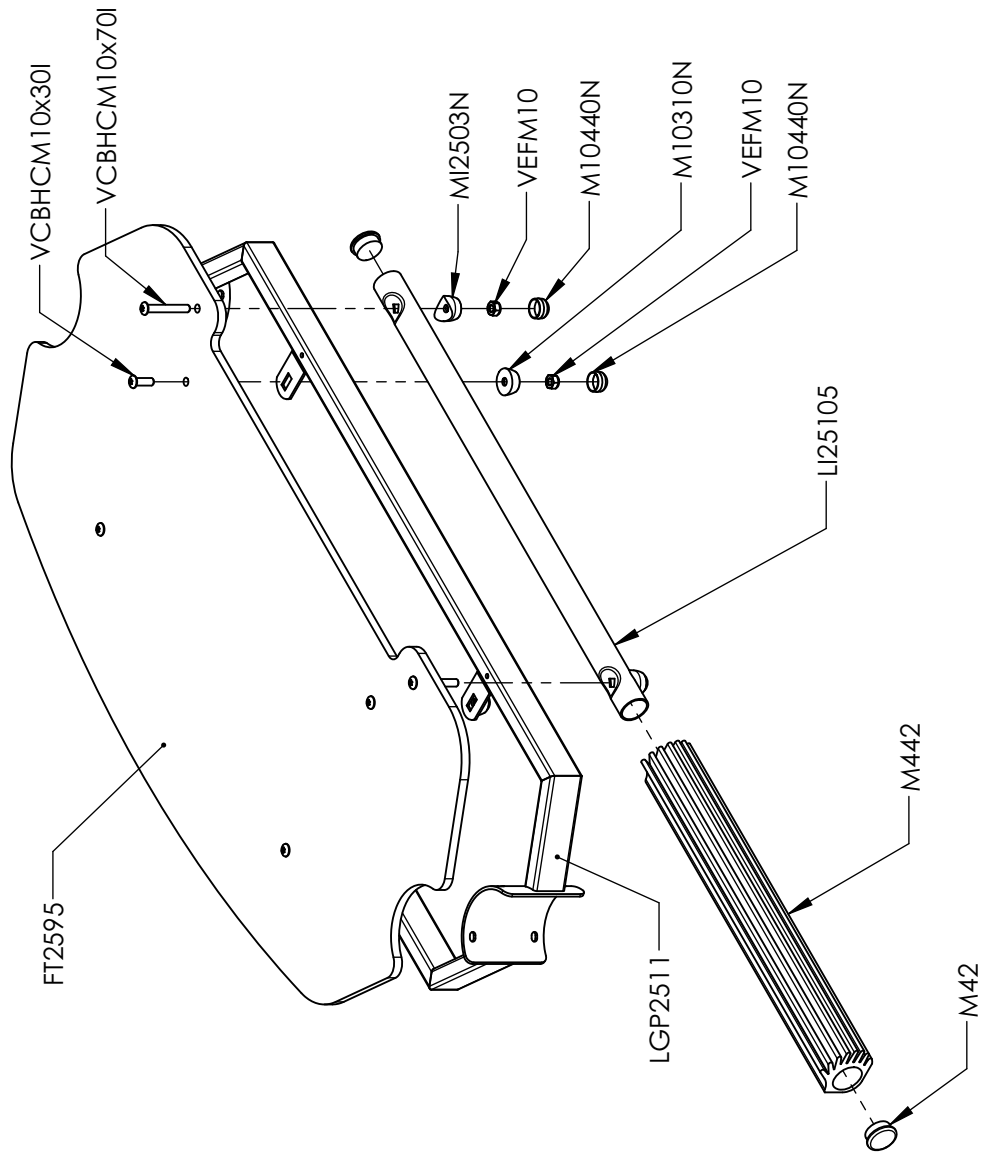
3



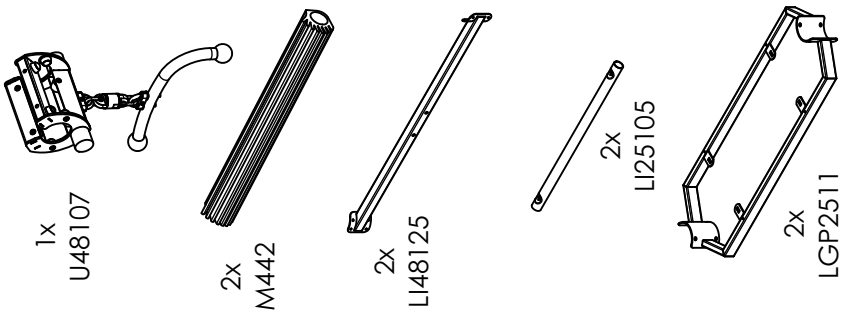


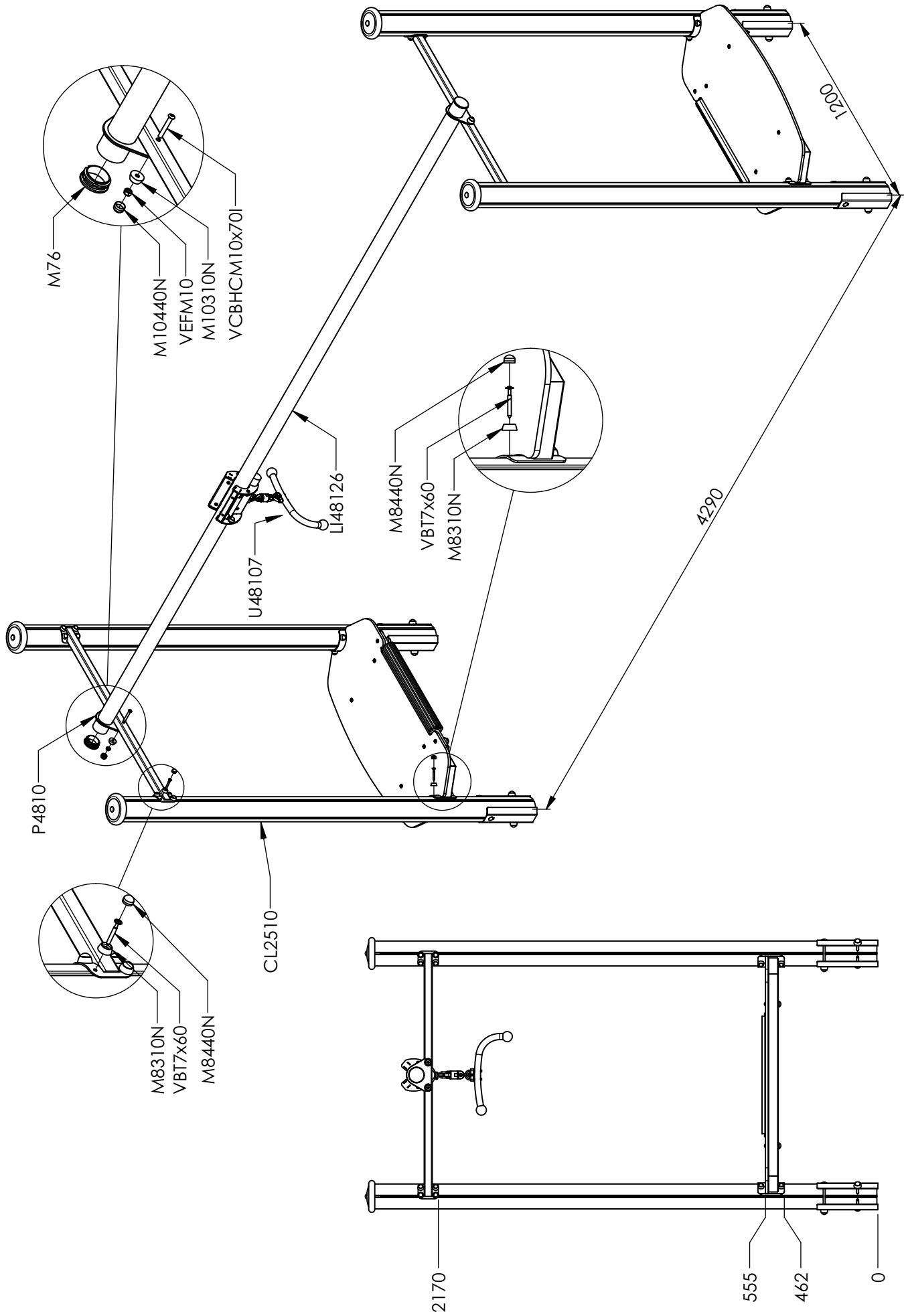
21/10/2018

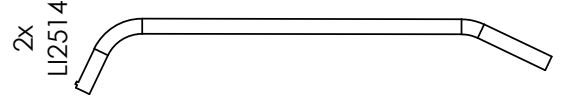
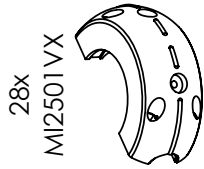
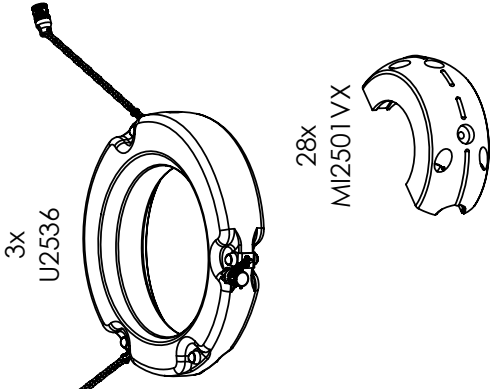
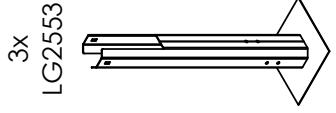
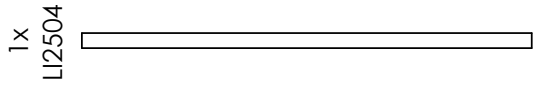
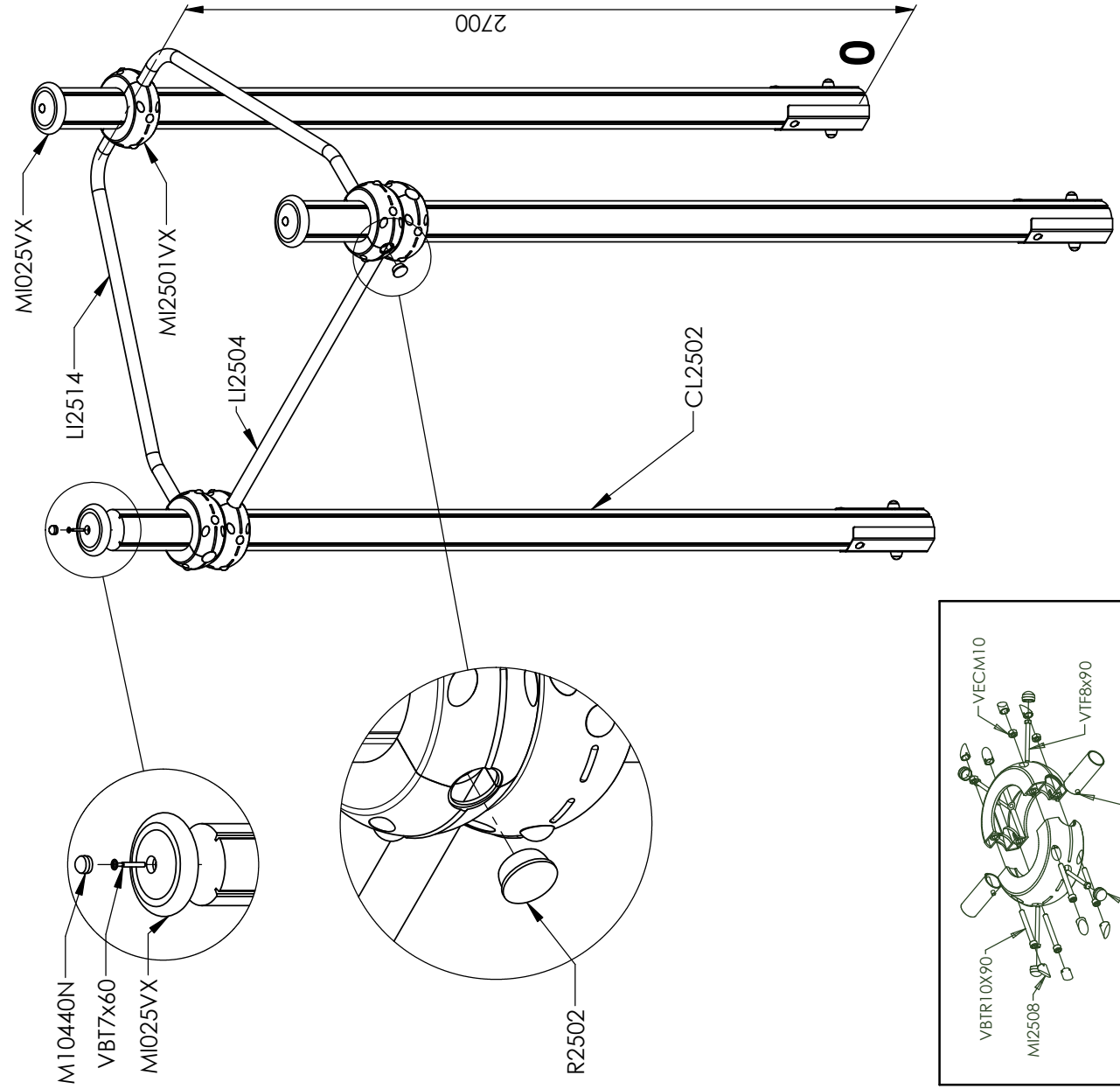
X2



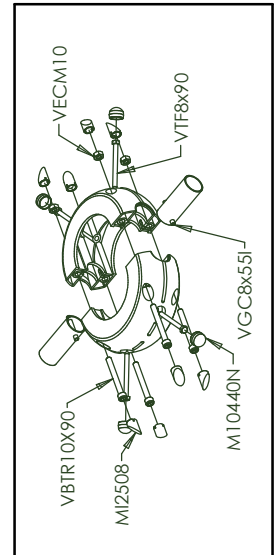
CL2510	4
FT2595	2
LG2553	4
LGP2511	2
LI25105	2
LI48125	2
LI48126	1
M42	4
M76	2
M442	2
M8310N	32
M8440N	32
M10310N	24
M10440N	32
M1025VX	4
MI2503N	4
P4810	1
U48107	1
VB7x60	36
VCBHCM10x30I	8
VCBHCM10x70I	8
VEFM10	20
VTF10x60	8
VTRCC10x140	4

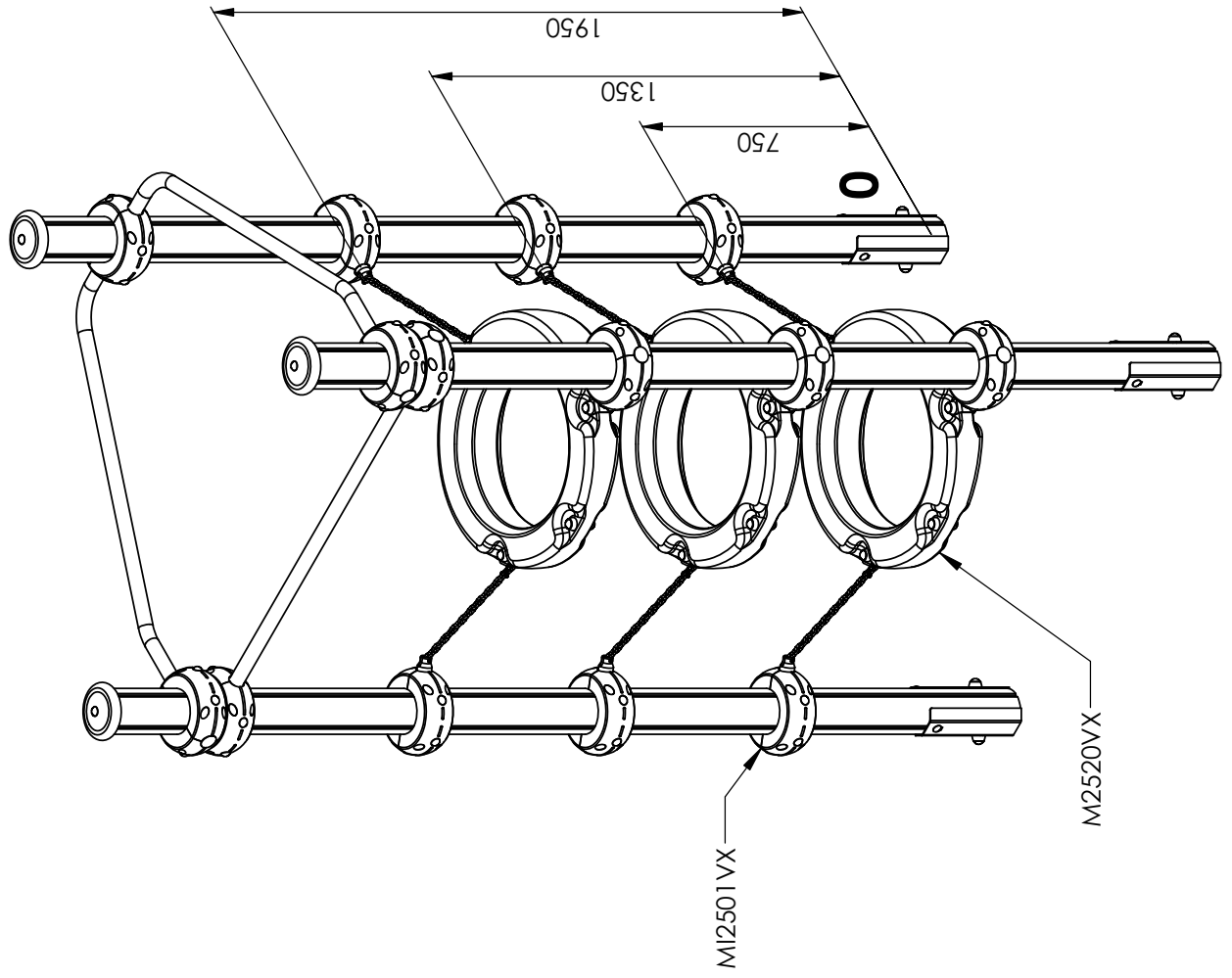
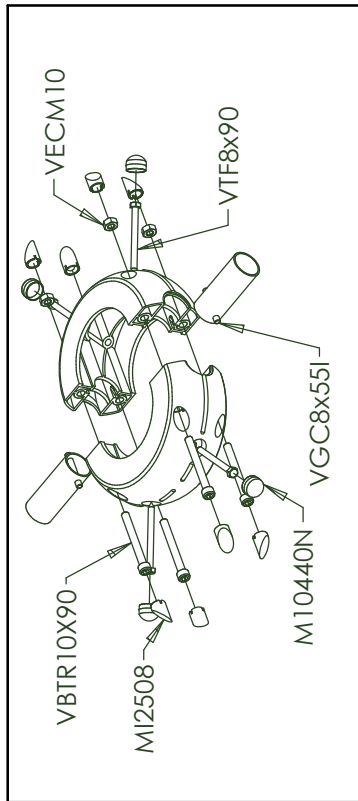


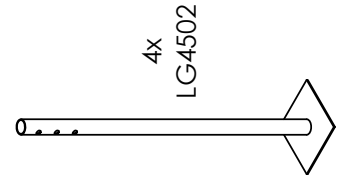
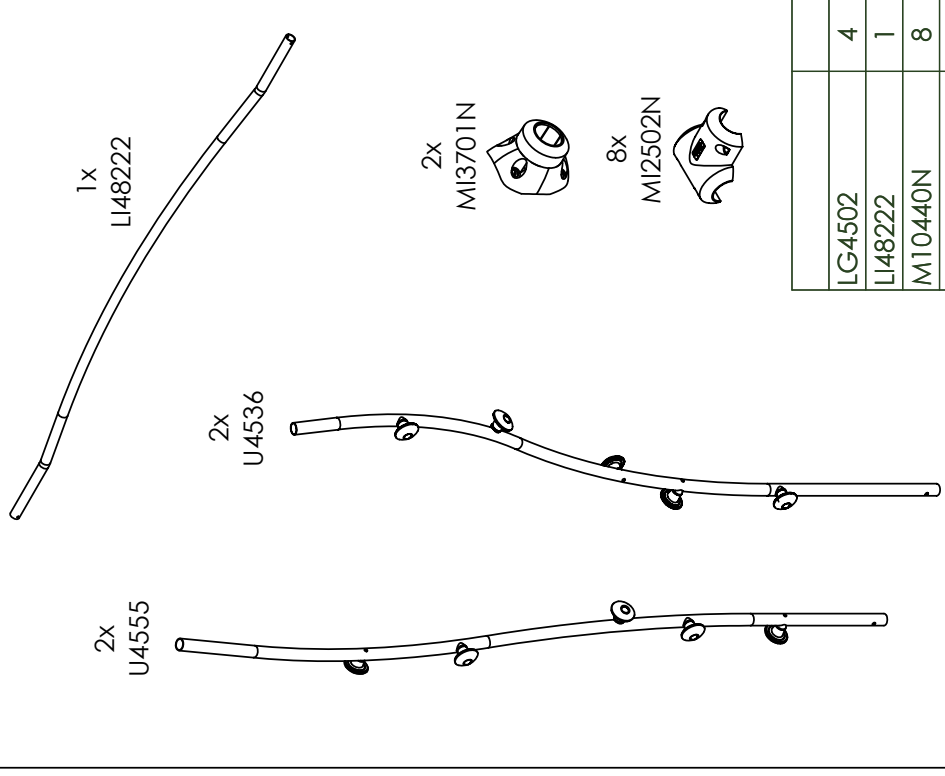
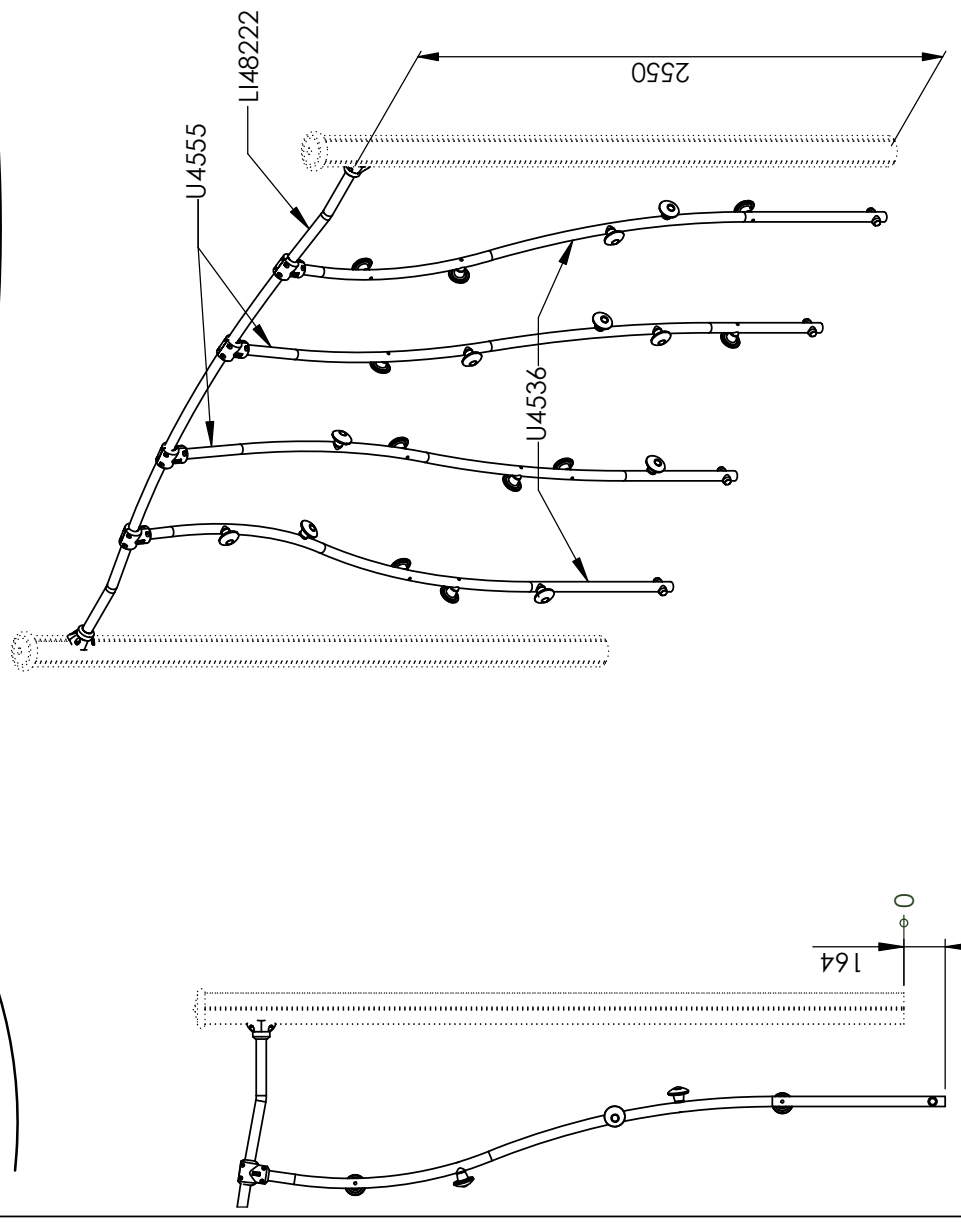
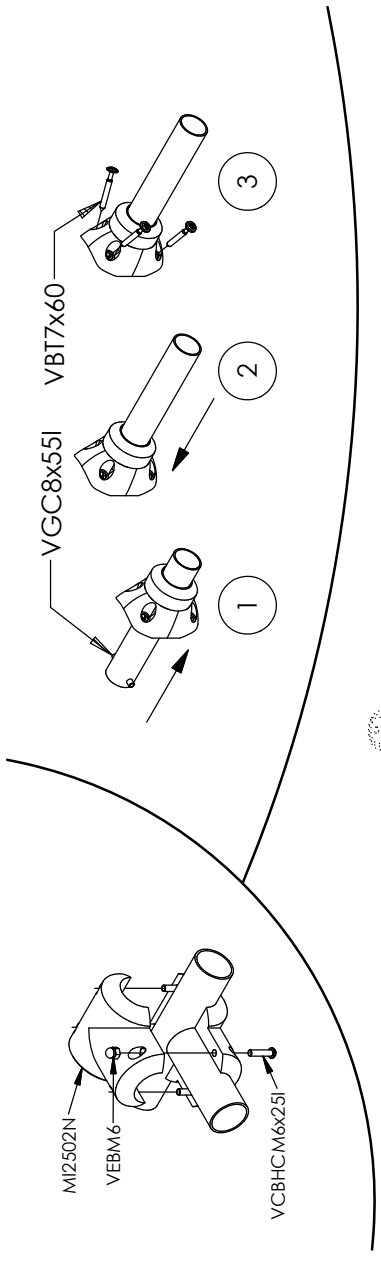




CL2502	3
LG2553	3
LI2504	1
LI2514	2
M10310N	9
M10440N	68
MI025VX	3
MI2501VX	28
MI2508	112
R2502	13
U2536	3
VBT7x60	3
VBTR10X90	56
VECM10	56
VEFM10	3
VTF10x60	6
VTH6x60 AUTO	56
VTRCC10x140	3



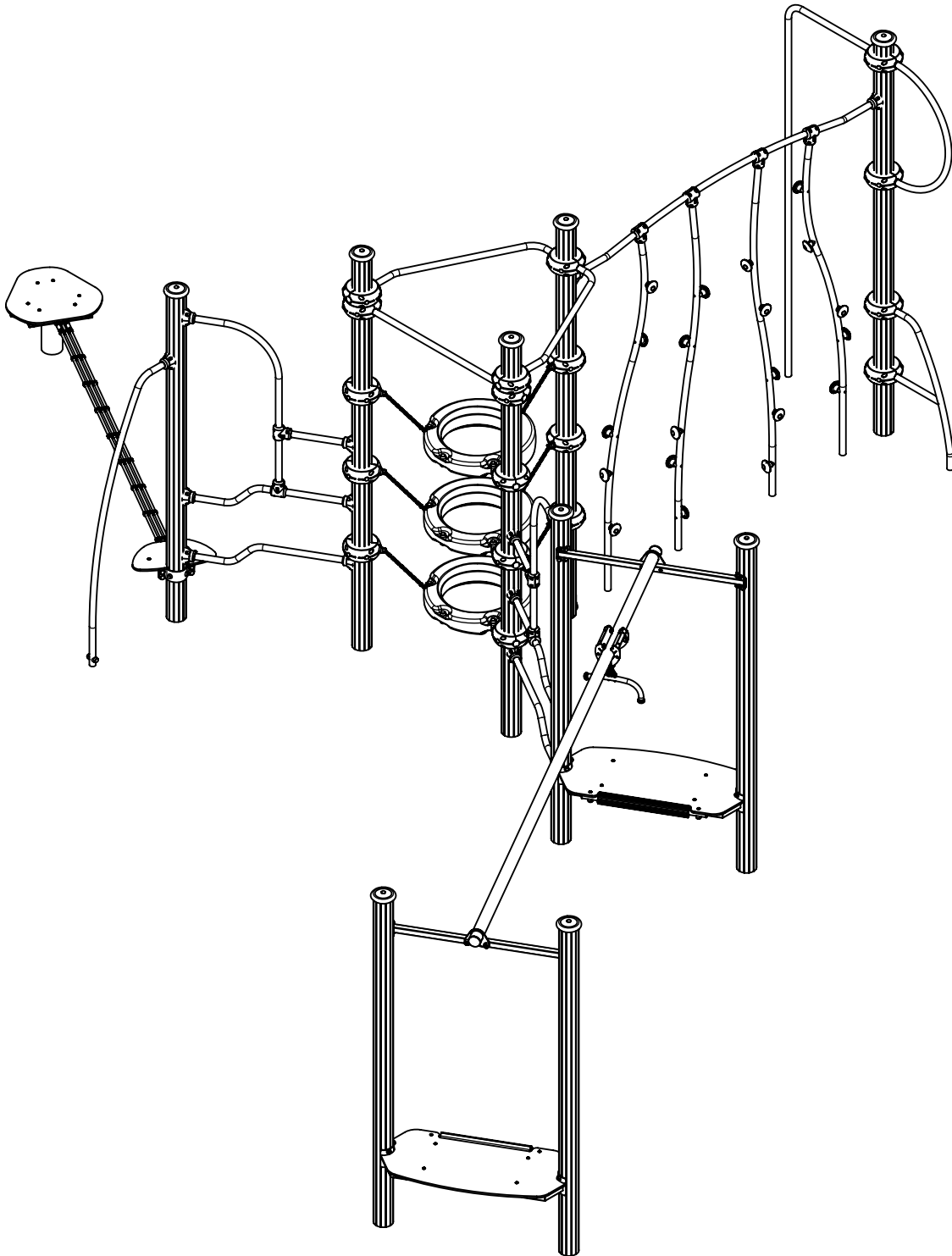




LG4502	4
LI48222	1
M10440N	8
MI2502N	8
MI2503N	8
MI3701N	2
U4536	2
U4555	2
VBT7x60	8
VCBHC6x25I	16
VEBM6	16
VEFM10	4
VGC8x55I	2
VTH10x60	4

J2578M

Proludic





N°		
1	<0.6 m	33.5 m ²
2	2 m	6 m ²
3	2.72 m	42.5 m ²

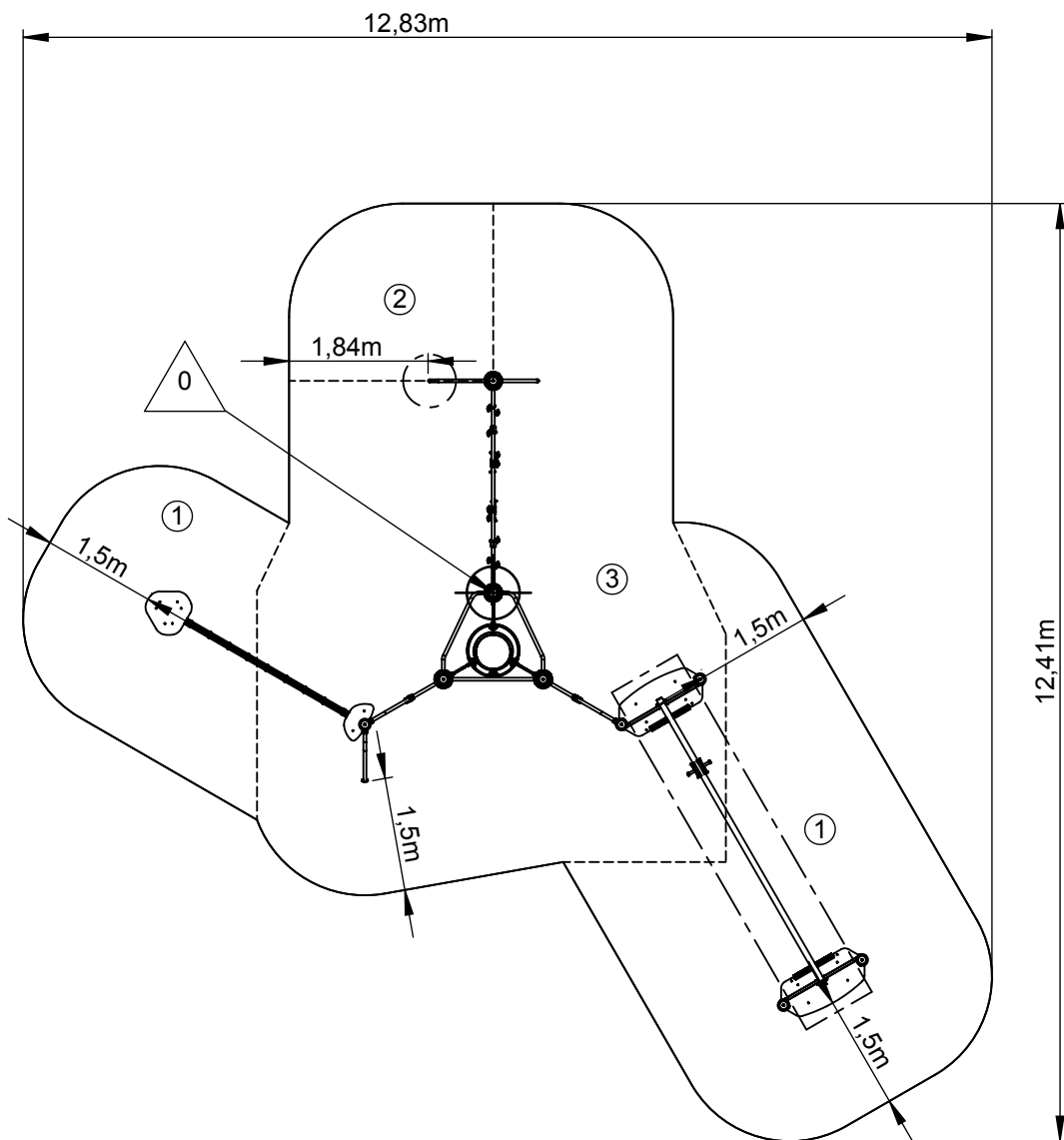
— Zone d'impact
Impact area
Area de impacto
Fallraum
Valzone

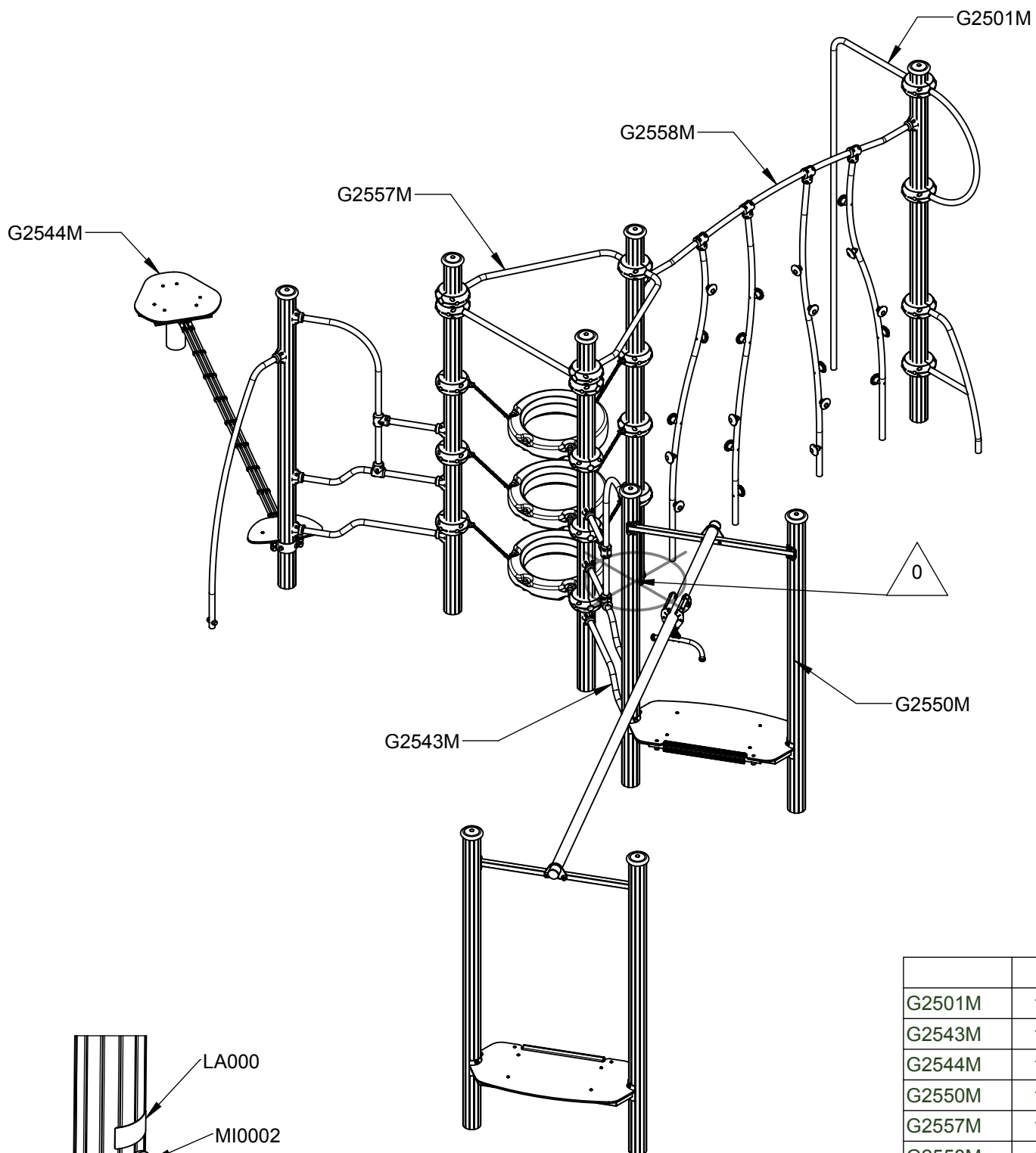


Point de référence
Setting out point
Punto de referencia
Bezugspunkt
Referentiepunt

- - - Espace libre
Free space
Espacio libre
Freiraum
Vrije ruimte

EN1176-1 : 2017

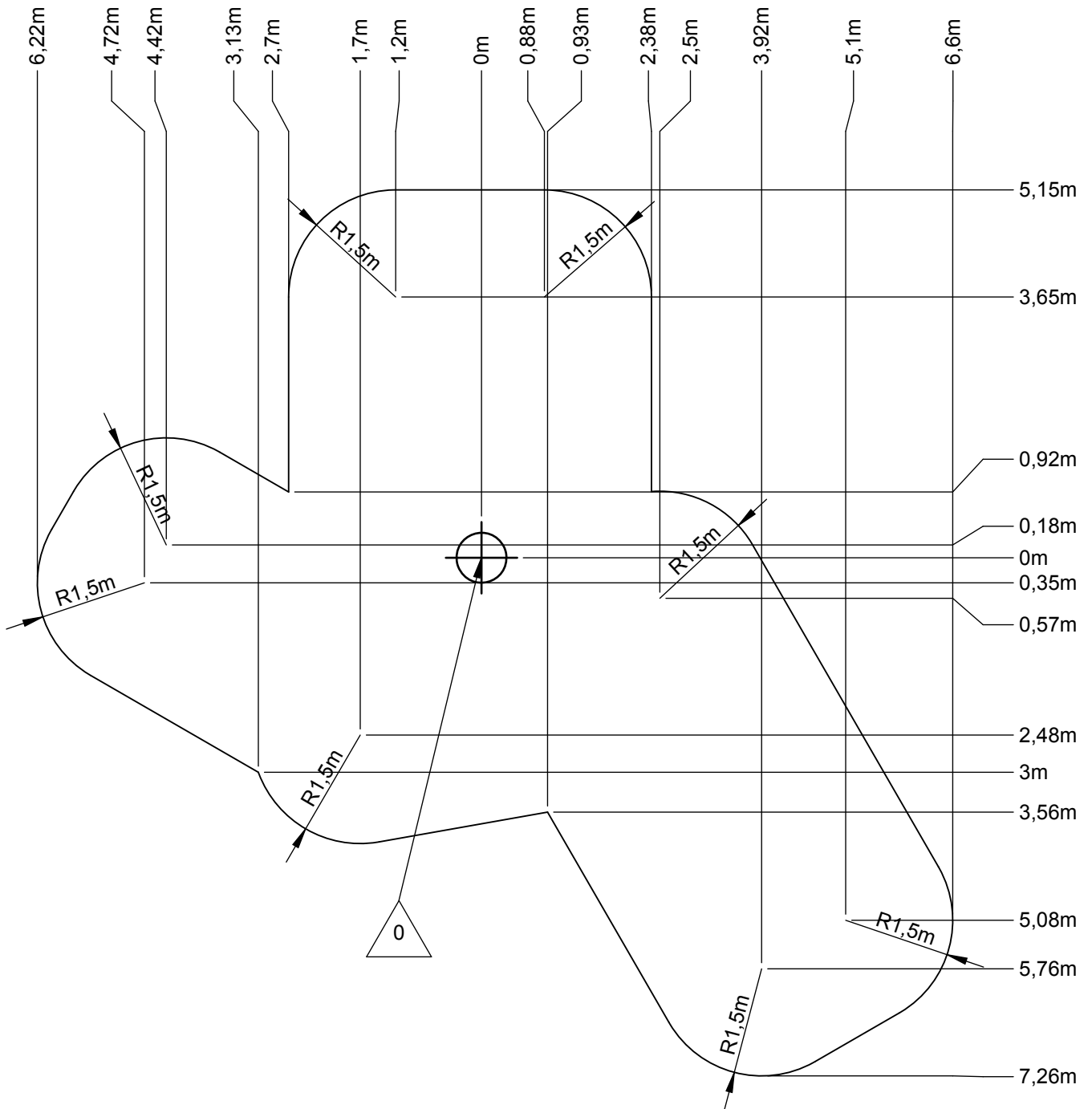




G2501M	1
G2543M	1
G2544M	1
G2550M	1
G2557M	1
G2558M	1
LA000	1
M8310N	1
M8440N	1
MI0002	1
VTH6x30A	1

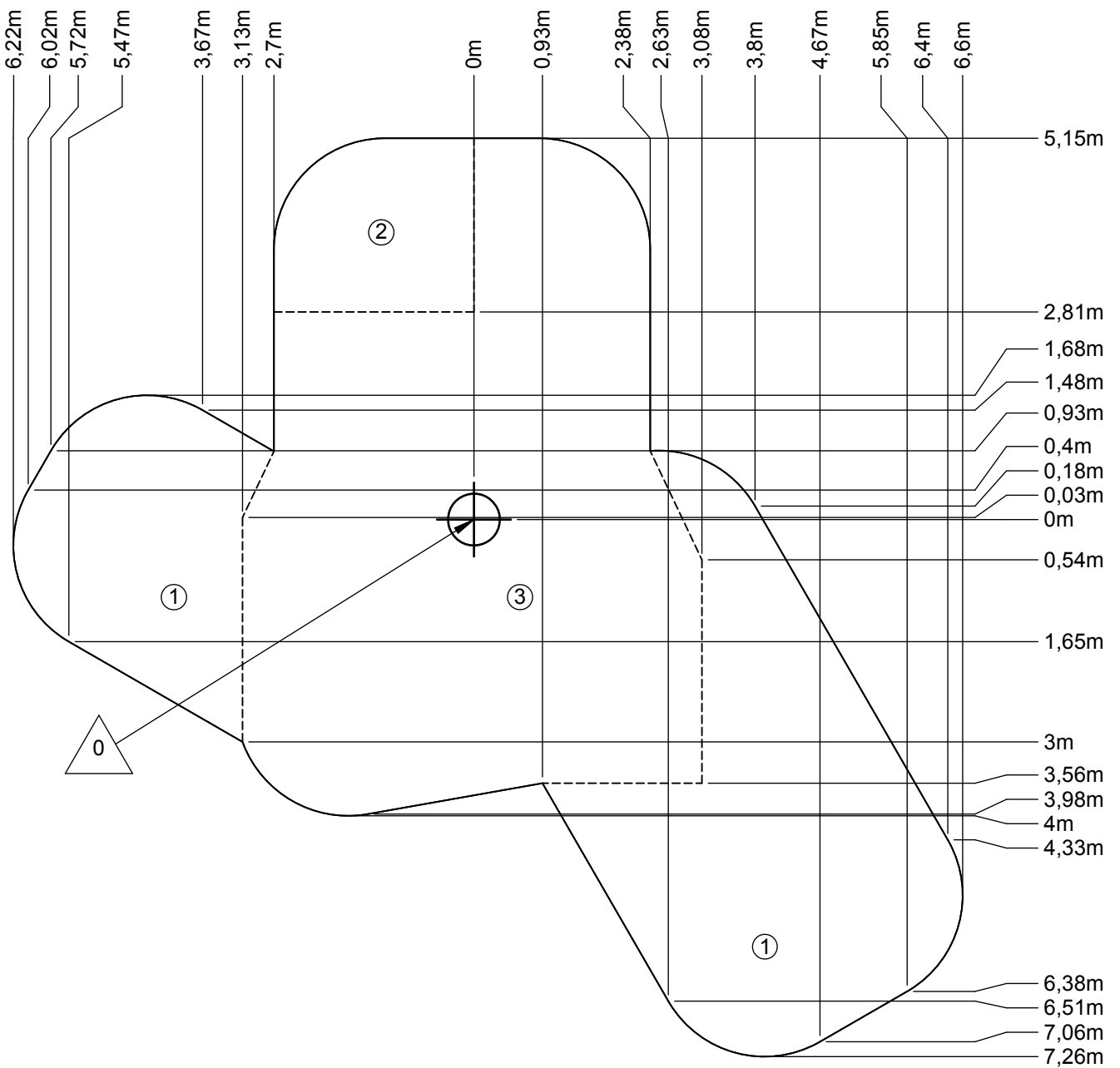
— Zone d'impact
 Impact area
 Area de impacto
 Fallraum
 Valzone

82 m²



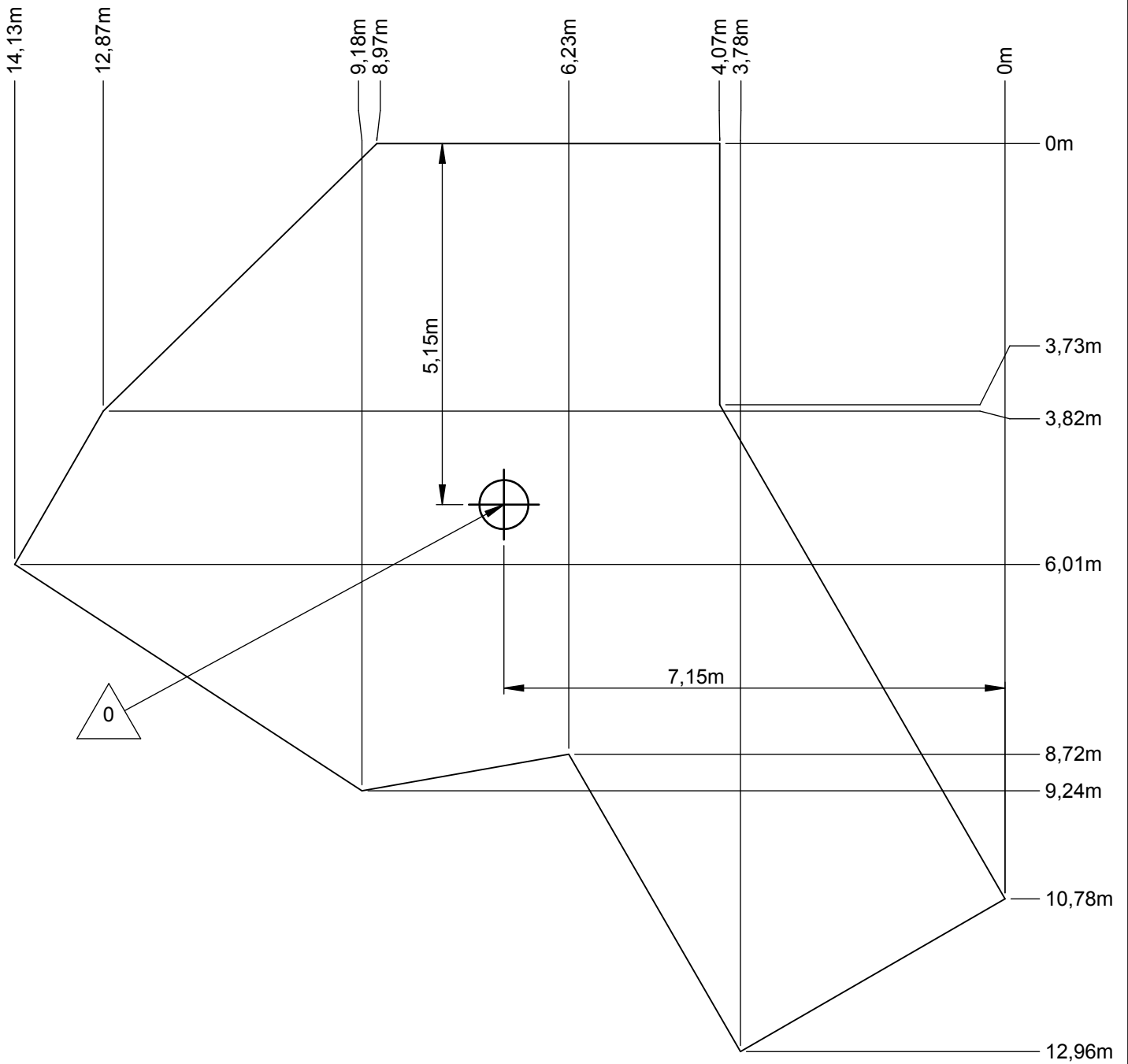
— Sol souple
 Wetpour
 Caucho continuo
 Synthetischer fallschutz
 Gietvloer

82 m²

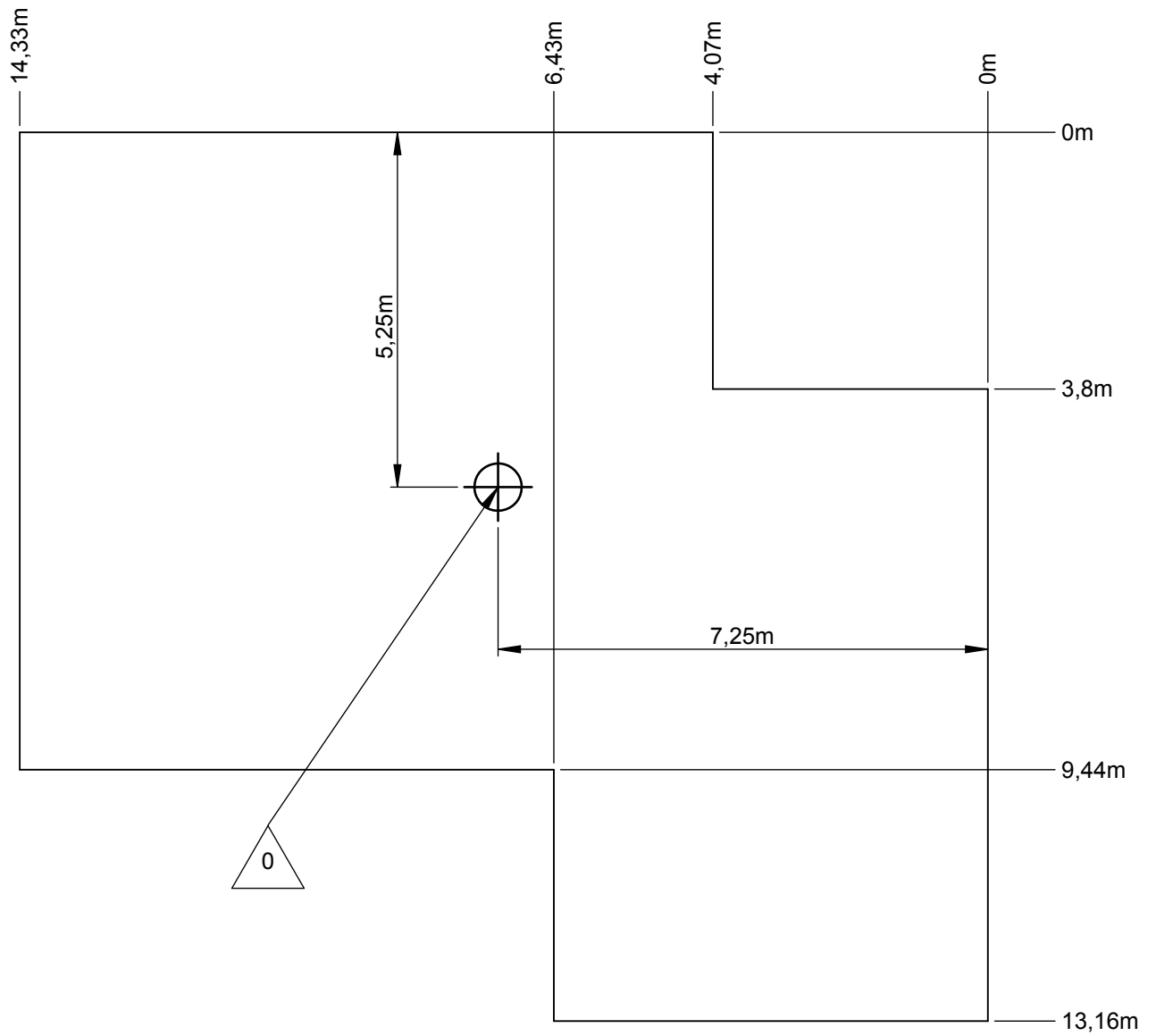


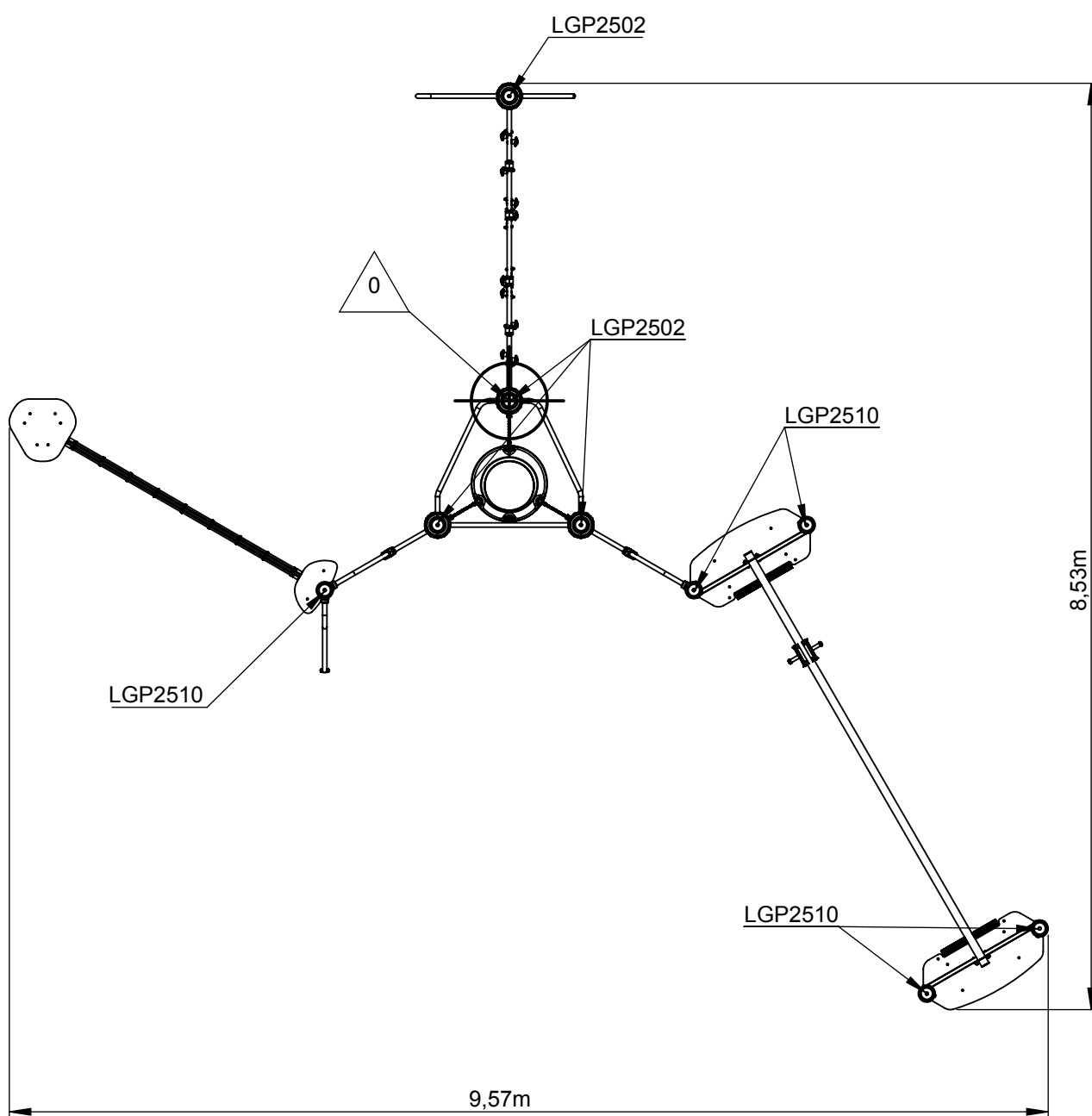
— Dalle béton
 Concrete pad
 Solera de hormigon
 Beton bodenplatte
 Betonnen bodemplaat

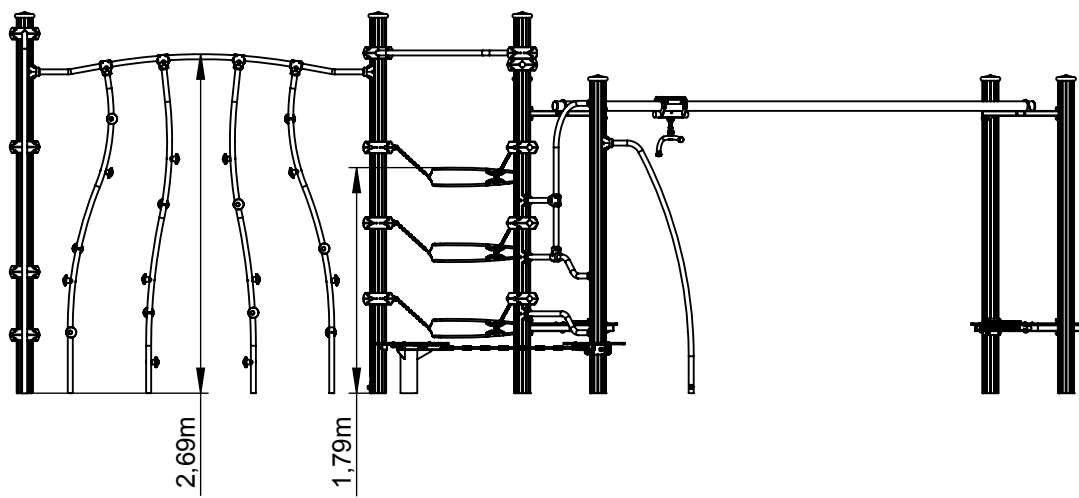
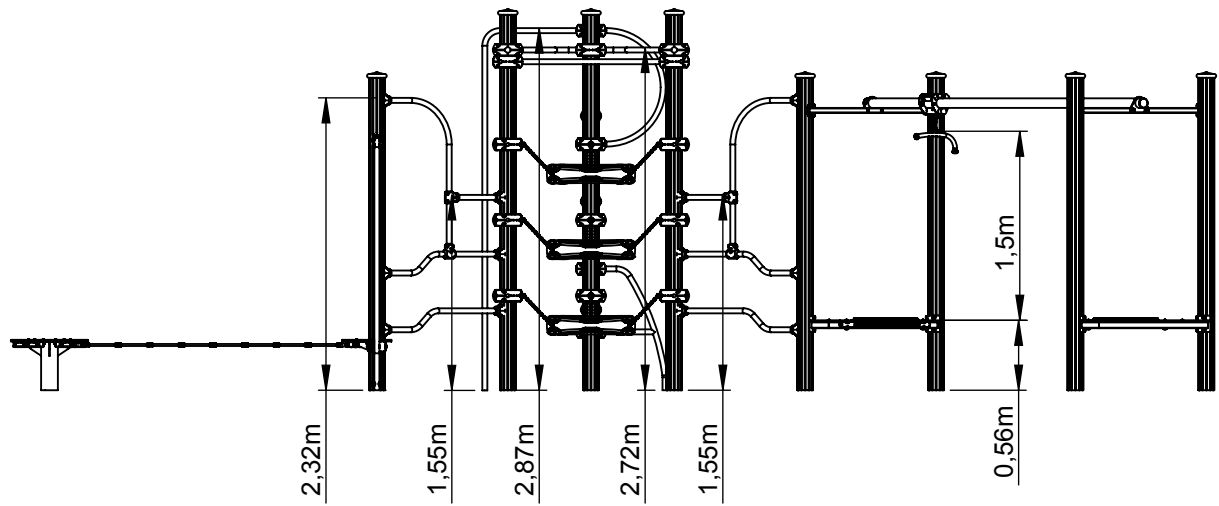
43 m
 90 m²



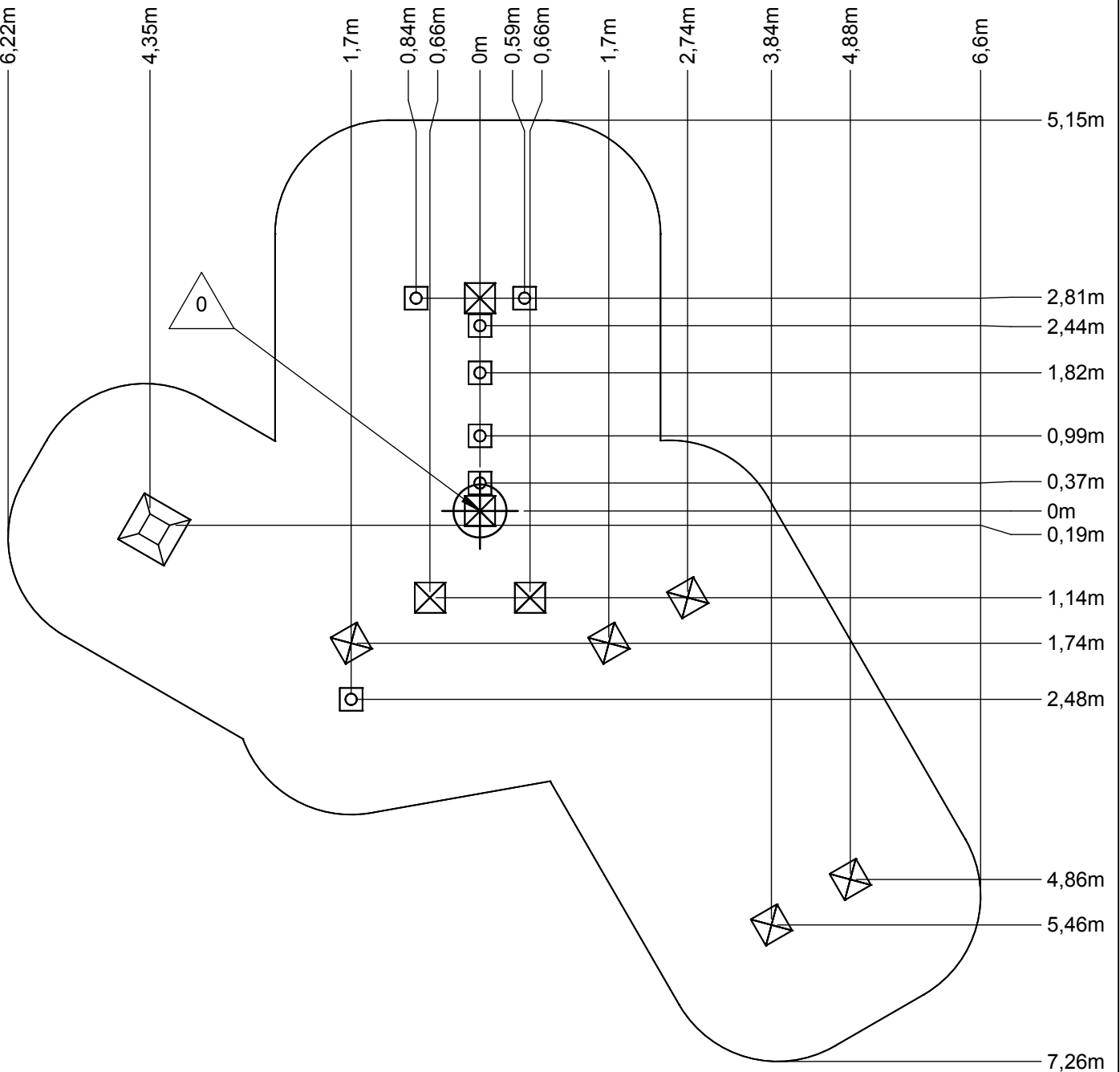
— Sol fluent
— Loos partucule material 56 m
— Arenero
— Loses Bodenmaterial 144 m²
— Los bodemmateriaal



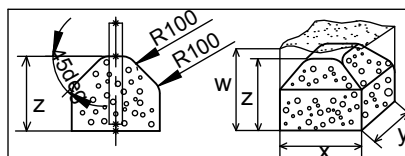







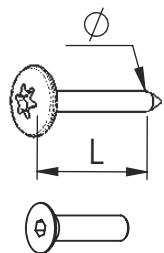
Implantation
 Footing plan
 Implantación
 Fundomentplan
 Funderingstekening



 x2
 5H
 1.2 m³



	x	y	z	w
	0.3	0.3	0.3	0.6
	0.4	0.4	0.6	0.8
	0.7	0.7	0.5	0.7



VBT 6 x 30
 \varnothing \uparrow L (mm)

VFHC



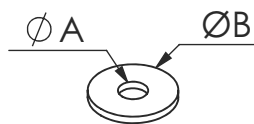
VEC M10
 \varnothing



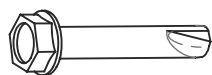
VEF



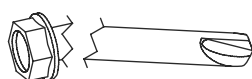
VEB



VR6x18
 \varnothing A \varnothing B



VTHA

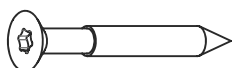


1000 - 1800 tr/min

Vitesse de rotation
 Rotation speed

14 N.m

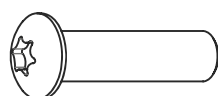
Couple de rupture
 Torque of break



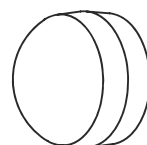
VWT



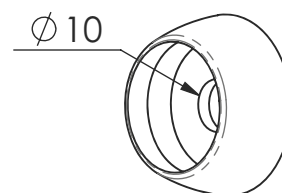
VGC



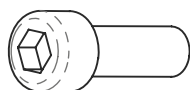
VCBHC



M10 440N



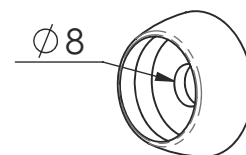
M10 310 N



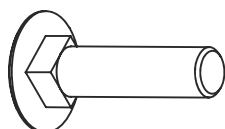
VBTR



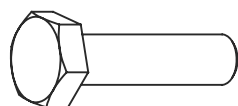
M8440N



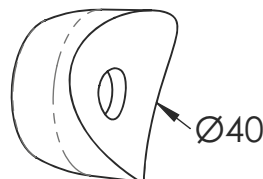
M8310N



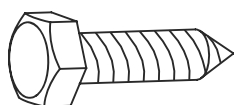
VTRCC



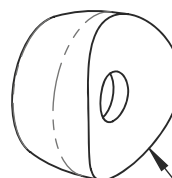
VTH



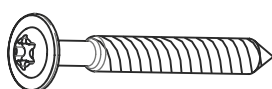
MI2503



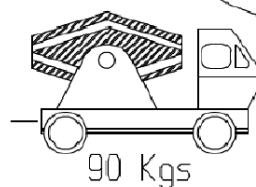
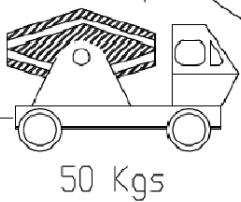
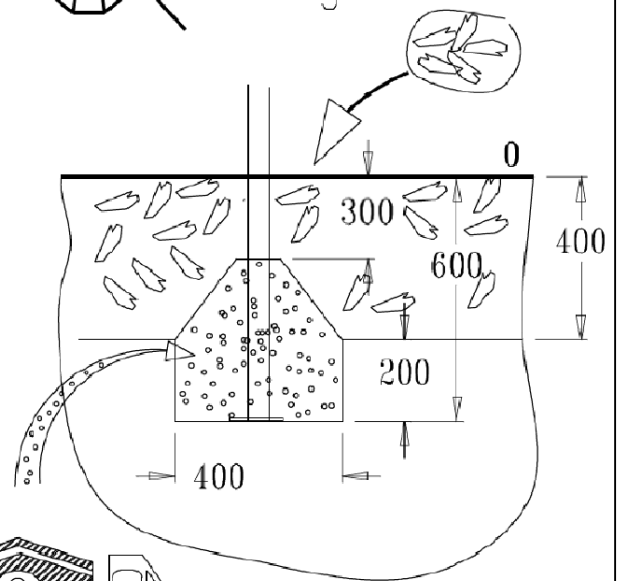
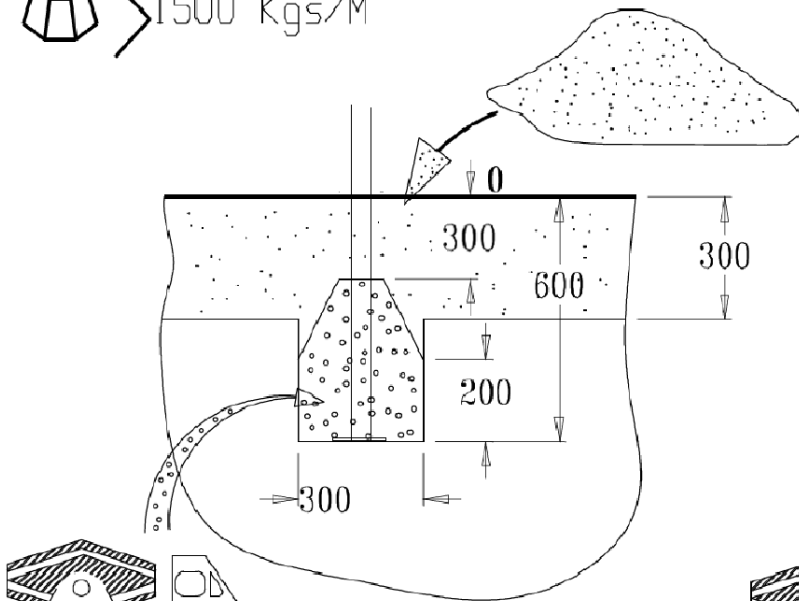
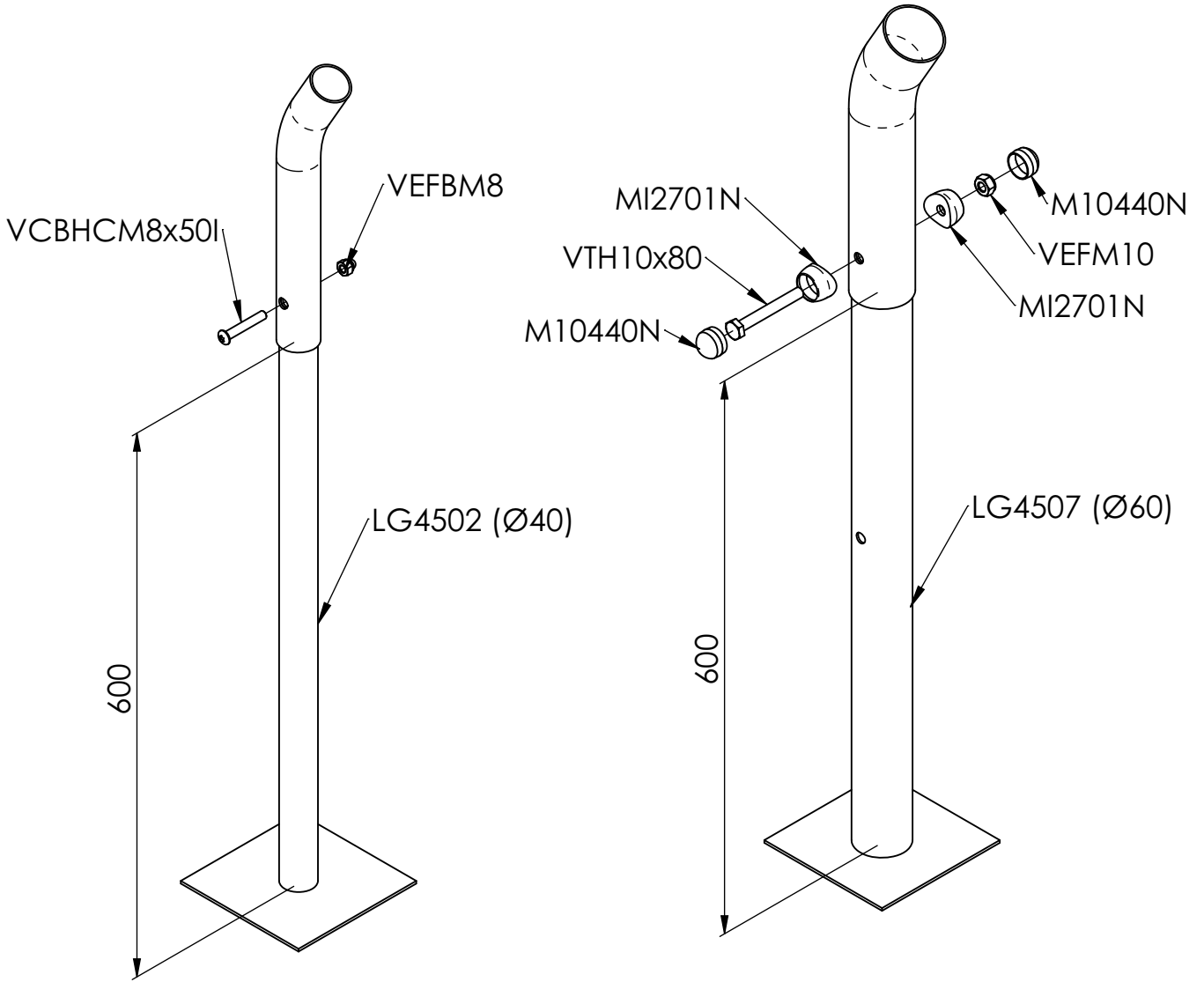
VTF

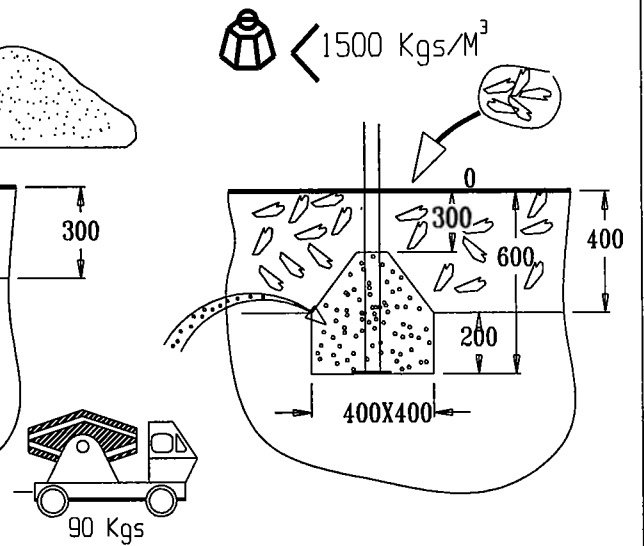
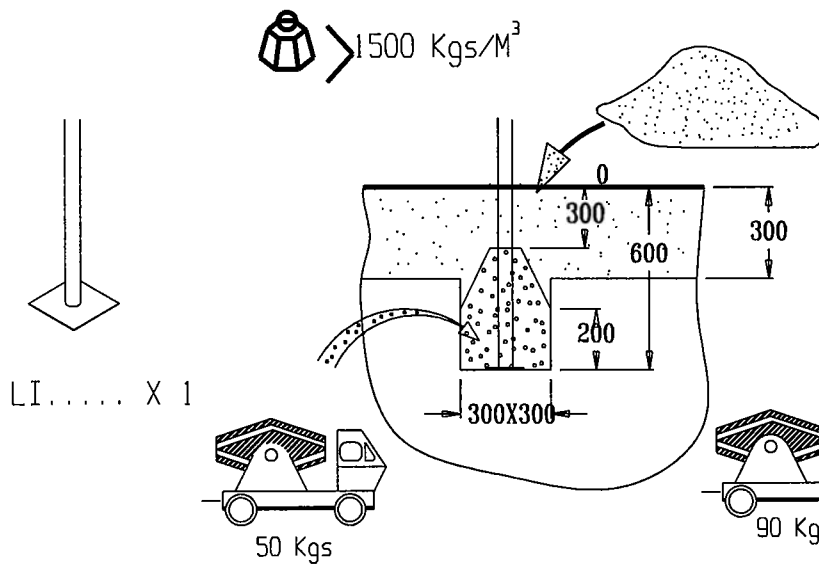
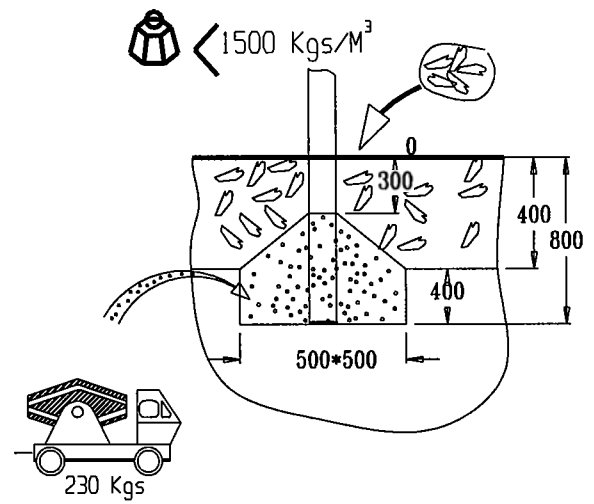
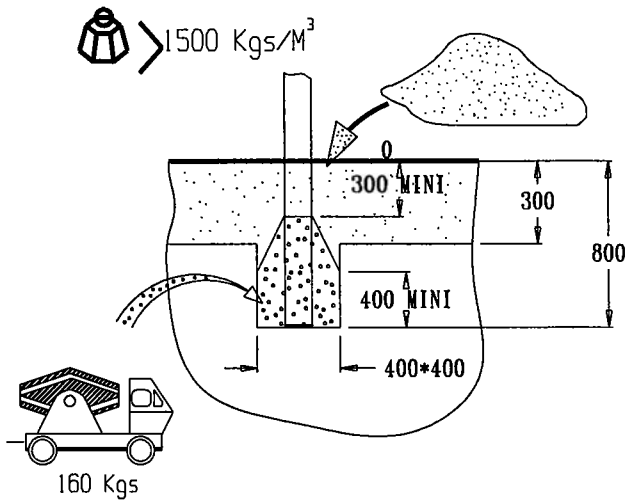
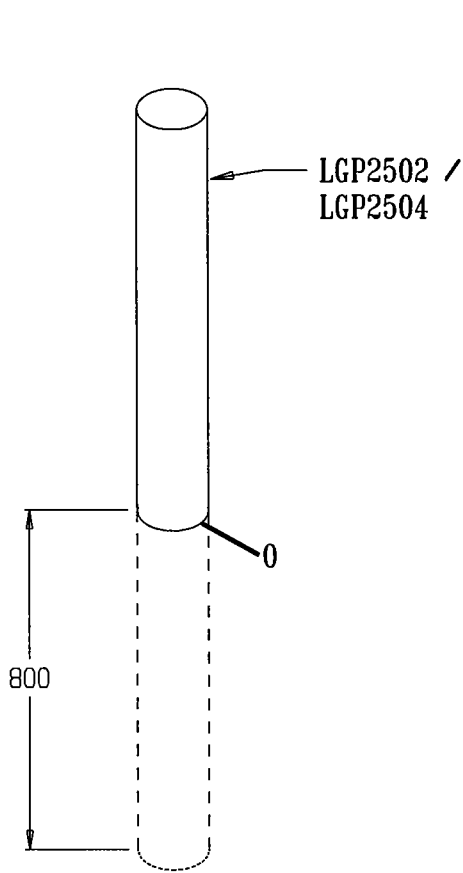


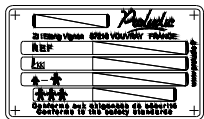
MI2701



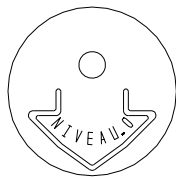
VBT



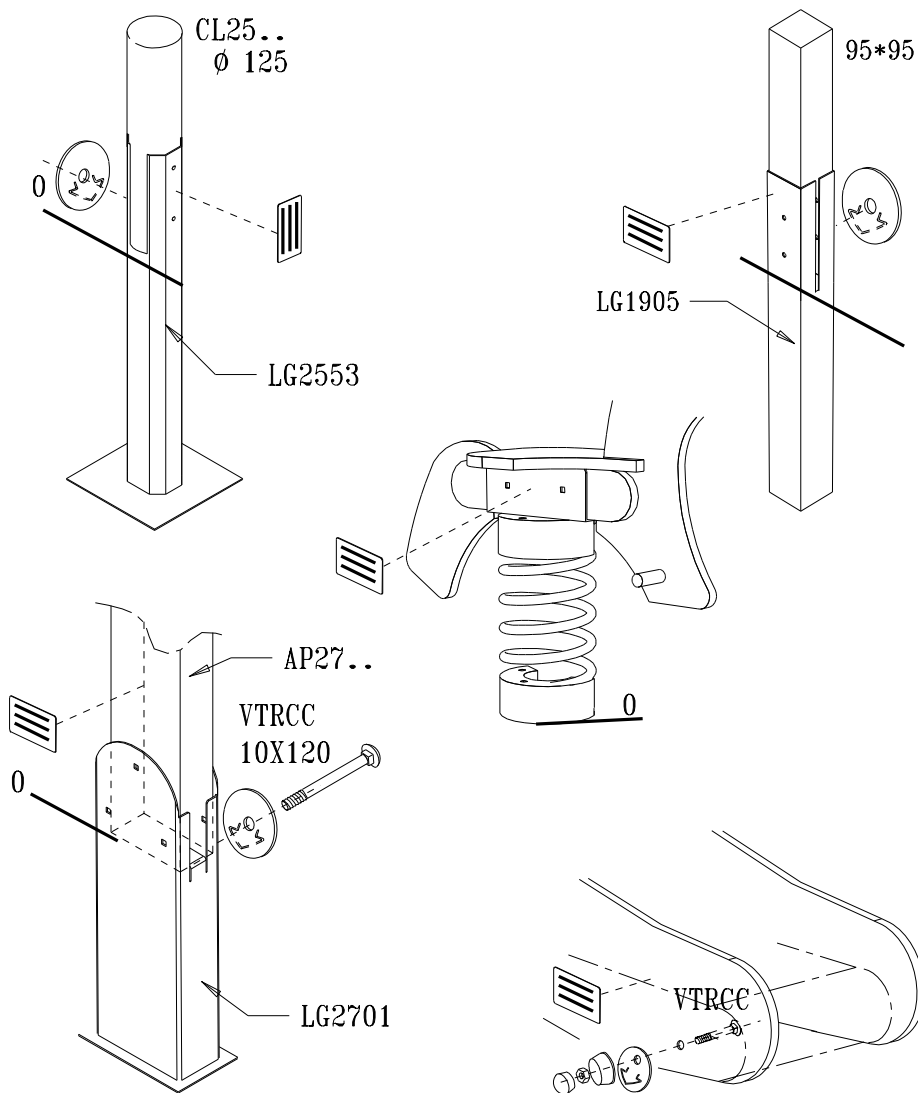
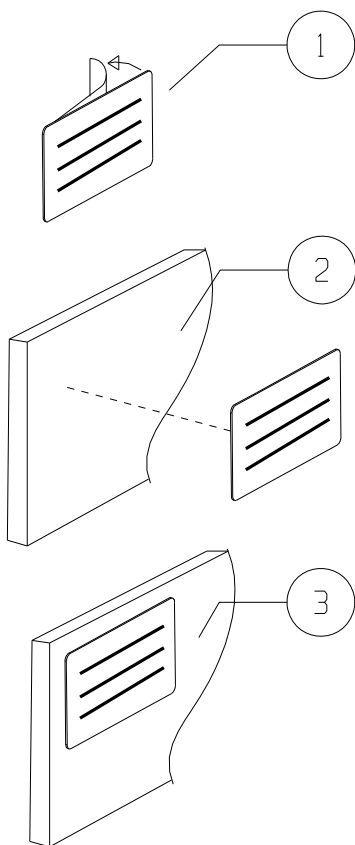
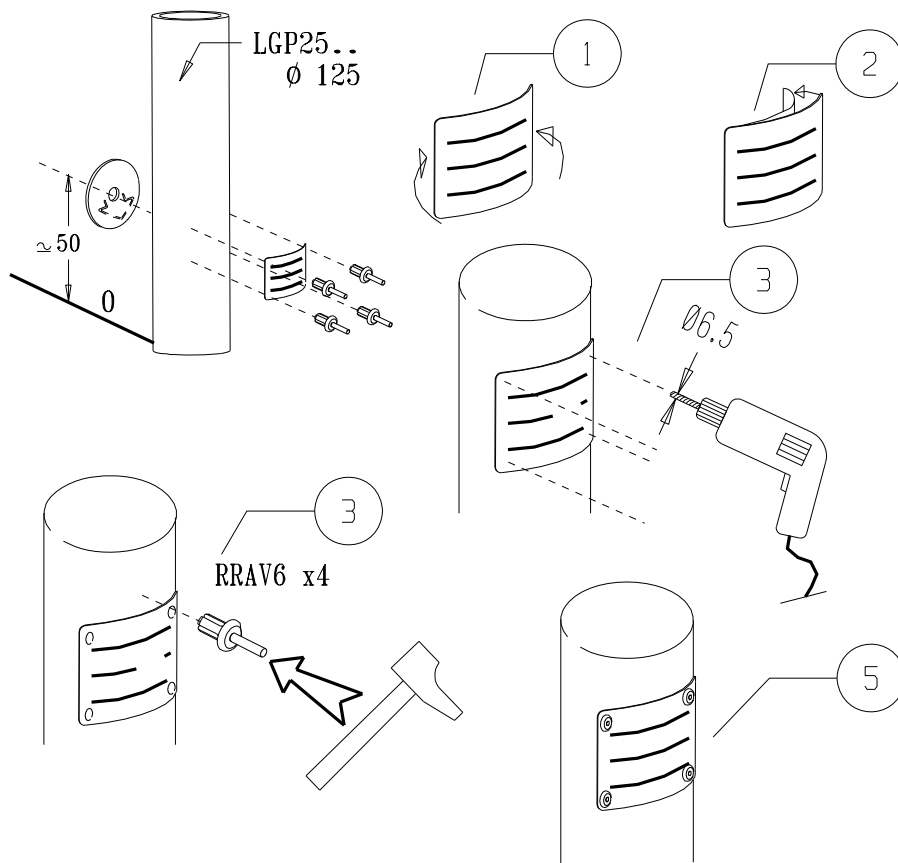


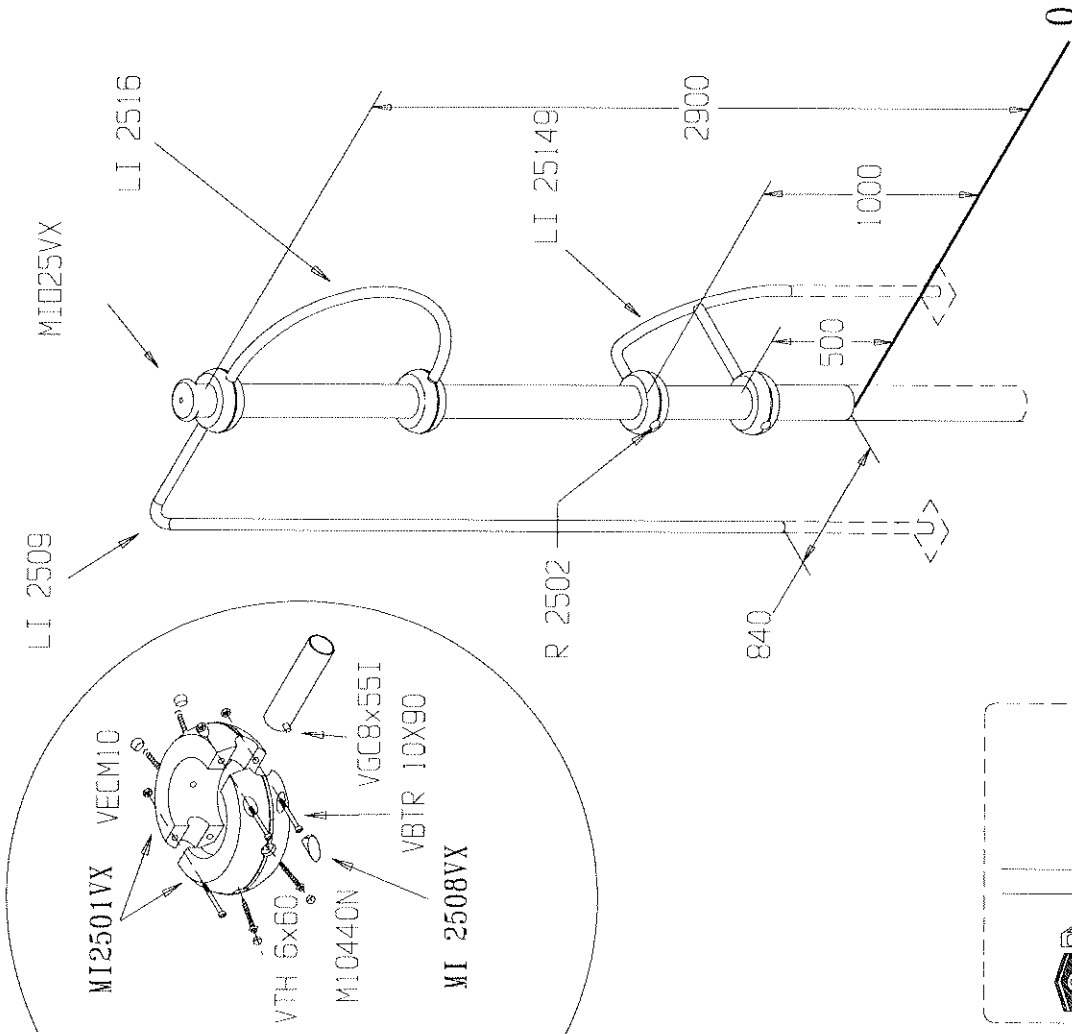


LA000



MI0002





MI2501VX x 8



MI025VX x 1



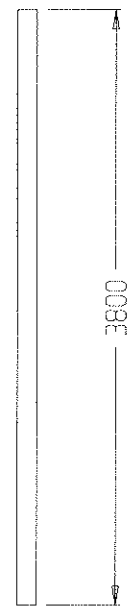
LI2516 x 1



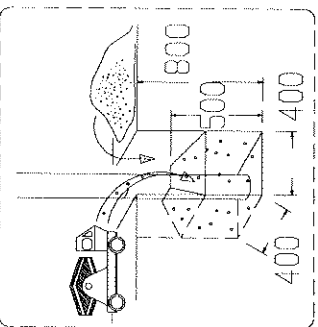
LI2509 x 1
Lg 3495



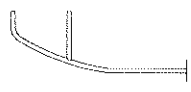
LGP2502 x 1
Lg 3800



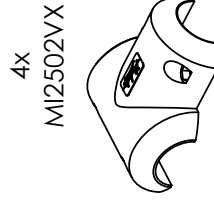
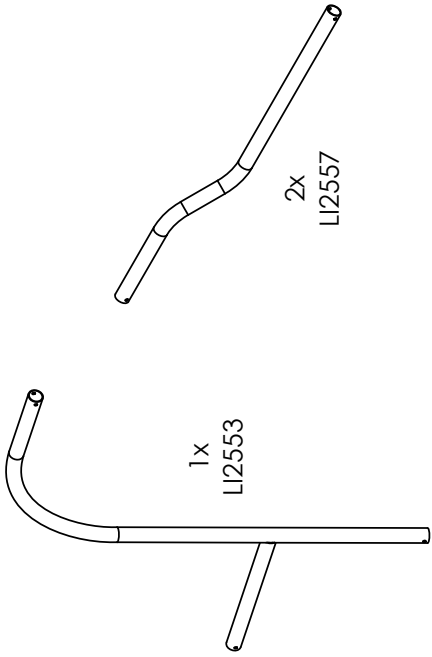
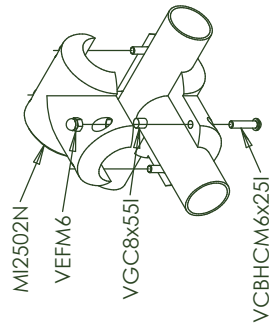
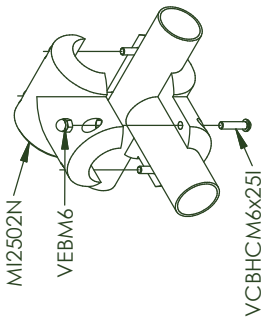
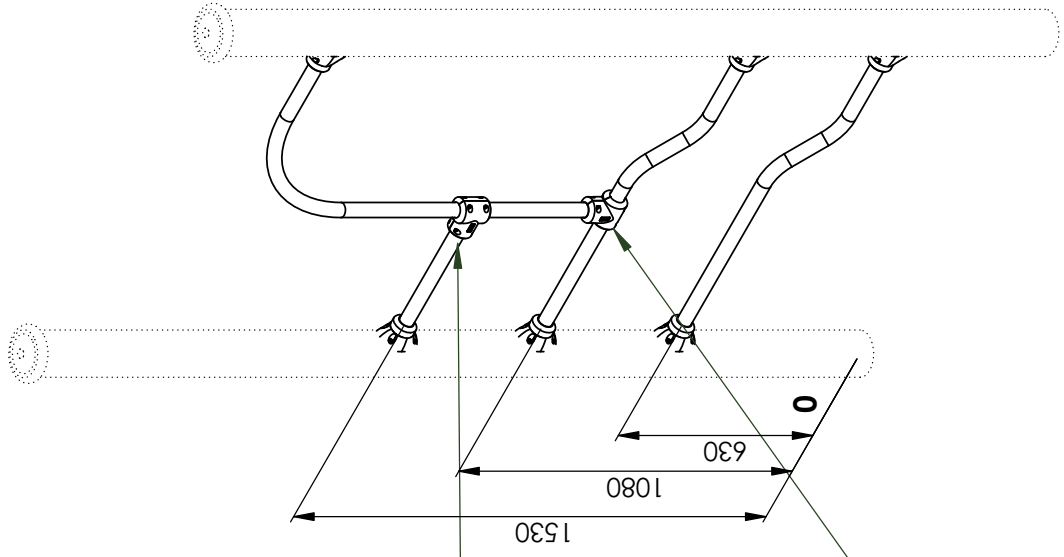
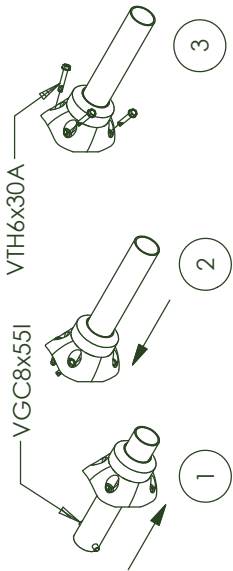
3800



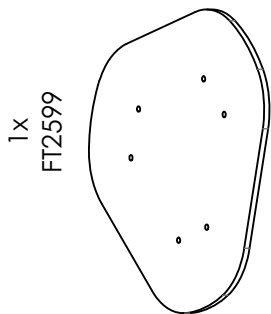
	LG4412	1
	VGC8*55I	3
	VFHC6x40	1
	VTH6*60 AUTO	16
	M10440N	17
	VECM10	16
	VBTR 10x90	16
	MI 2508VX	32
	R 2502	3



LI25149 x 1



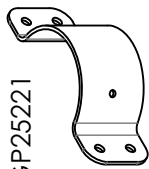
LI2557	2
LI2553	1
MI2502VX	4
MI3701N	6
VCBHCM6x25I	8
VEBM6	8
VGC8x55I	7
VTH6x30A	24



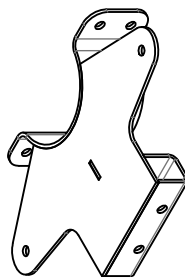
1x
FT2599



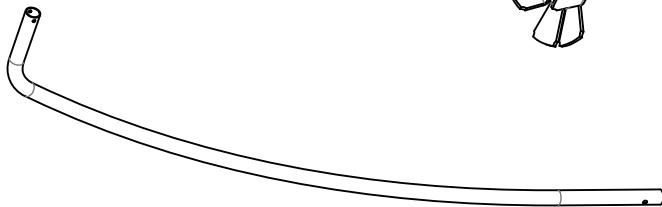
1x
FT2598



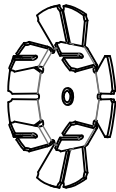
1x
LGP25221



1x
LGP25220



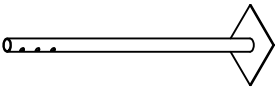
1x
LI45298



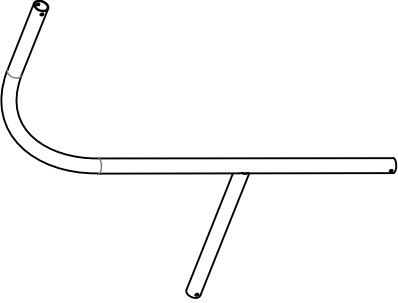
1x
LG4412



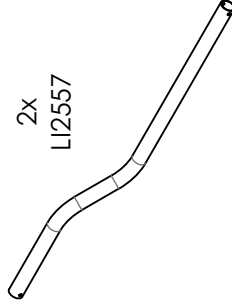
1x
LGP2510



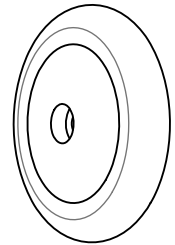
1x
LG4502



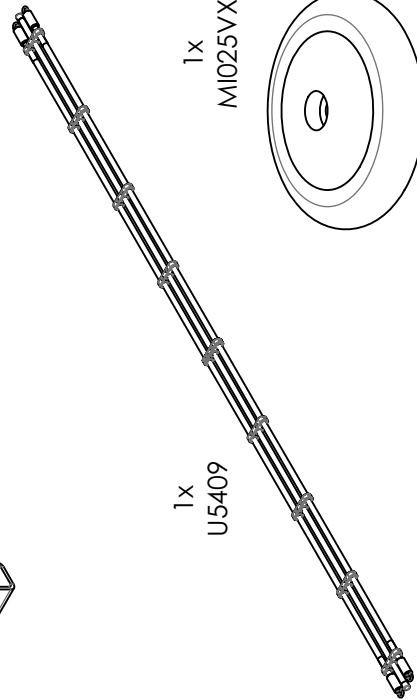
1x
LI2553



2x
LI2557



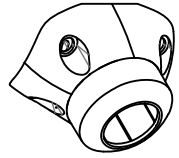
1x
MI025VX



1x
U5409

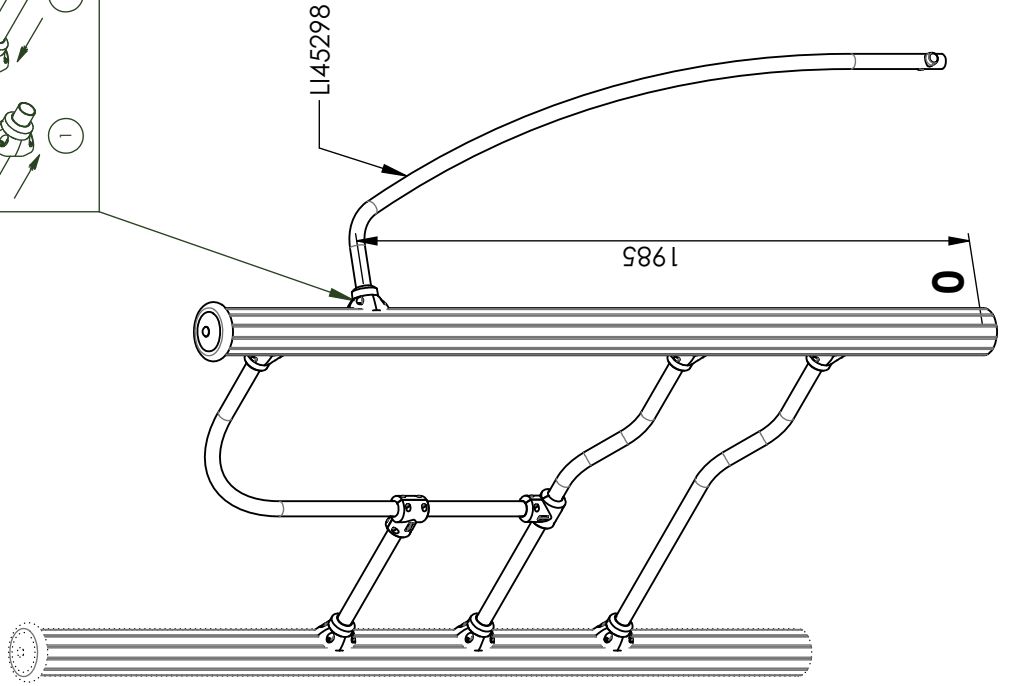
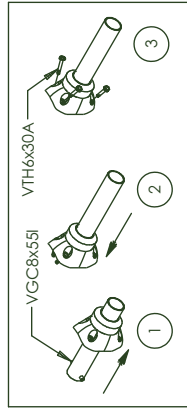
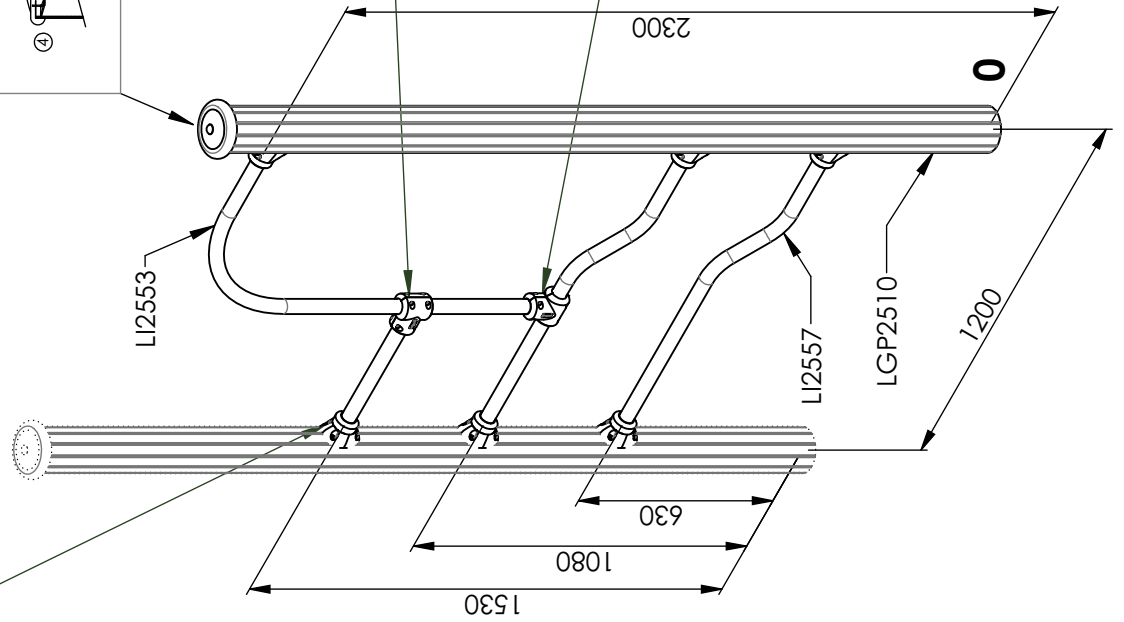
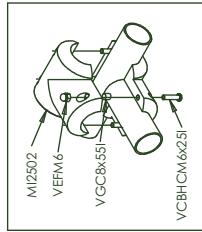
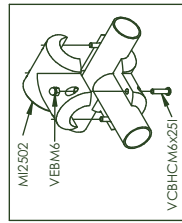
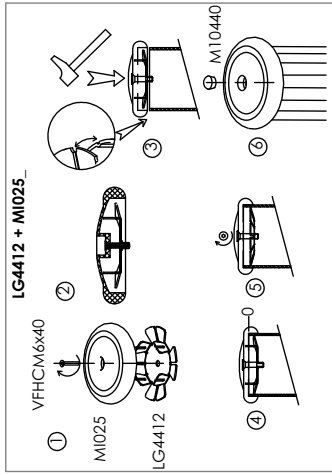
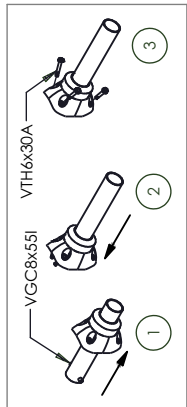


4x
MI2502VX

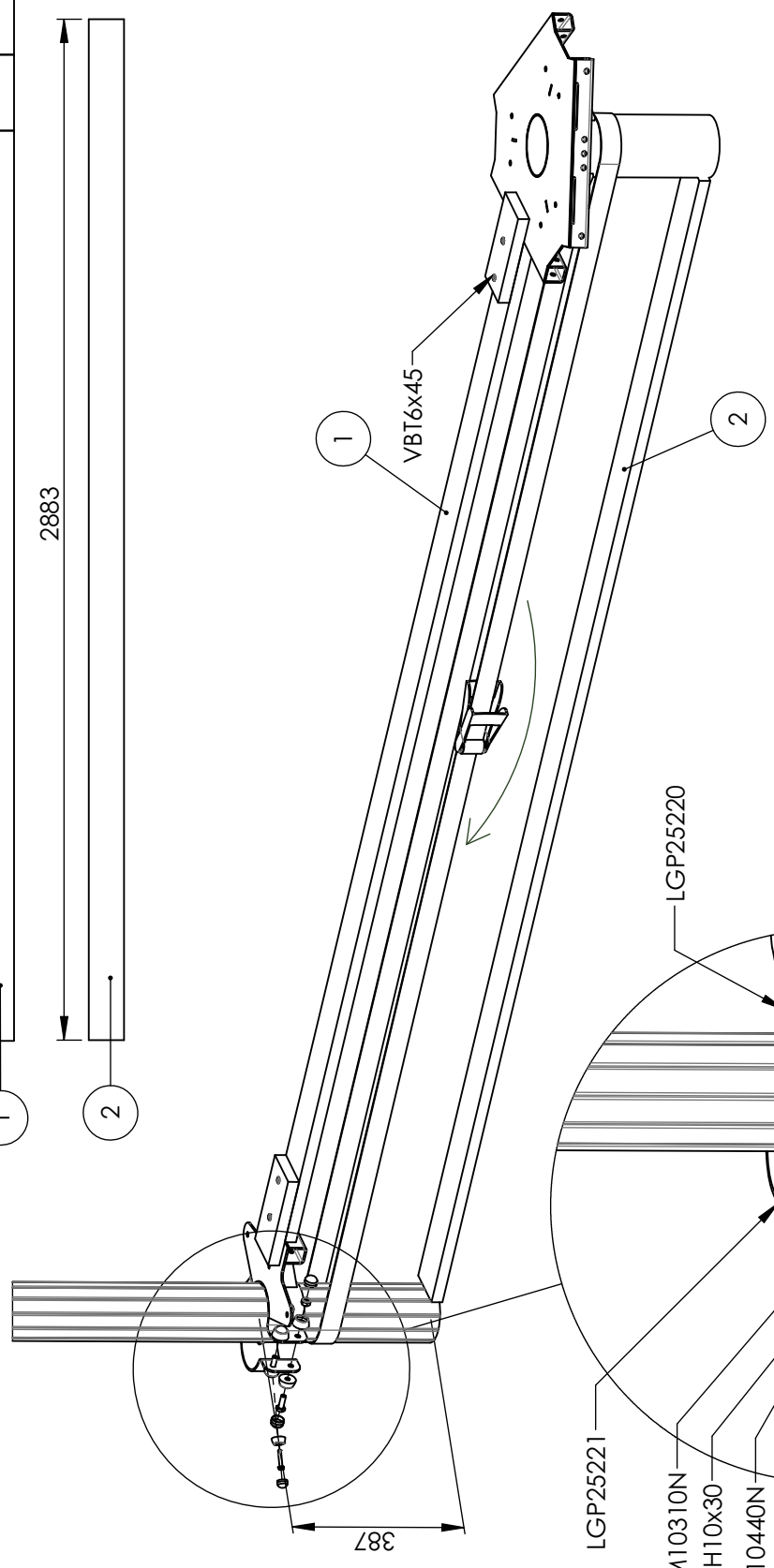
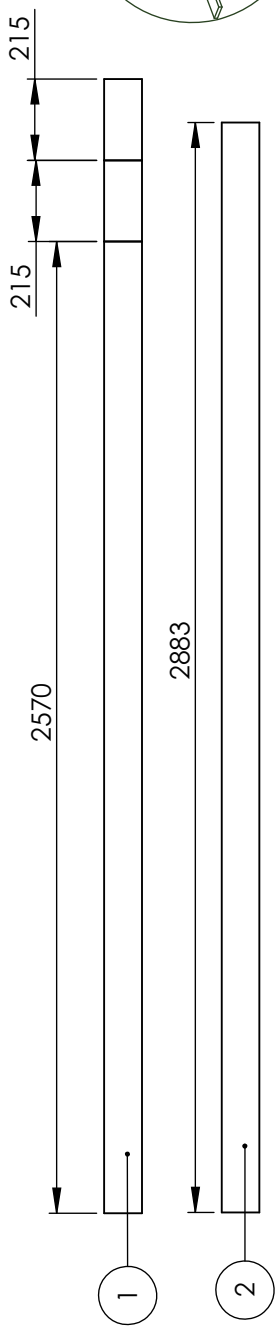


7x
MI3701N

FT2598	1
FT2599	1
LG4412	1
LG4502	1
LG5403	1
LGP2510	1
LGP25220	1
LGP25221	1
LI035	4
LI2553	1
LI2557	2
LI45298	1
M11	13
M4040	8
M8310N	4
M8440N	4
M10310N	20
M10440N	19
MI025VX	1
MI32N	4
MI2502VX	4
MI2503N	2
MI3701N	7
U5409	1
VCBHC6M6x25I	8
VCBHC6M10x30I	8
VEBM6	8
VEFM10	17
VFHC6M6x40	1
VGC8x55I	8
VTH6x30A	32
VTH10x30	4
VTH10x60	1
VEFBM10	4

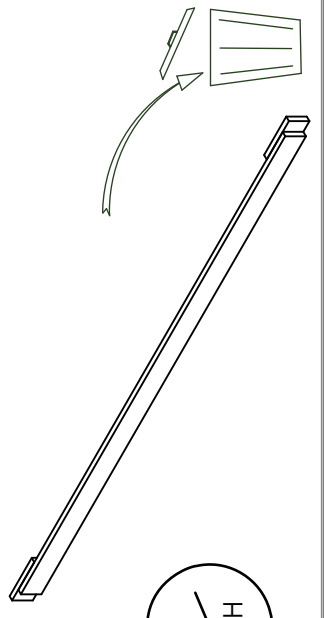
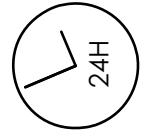


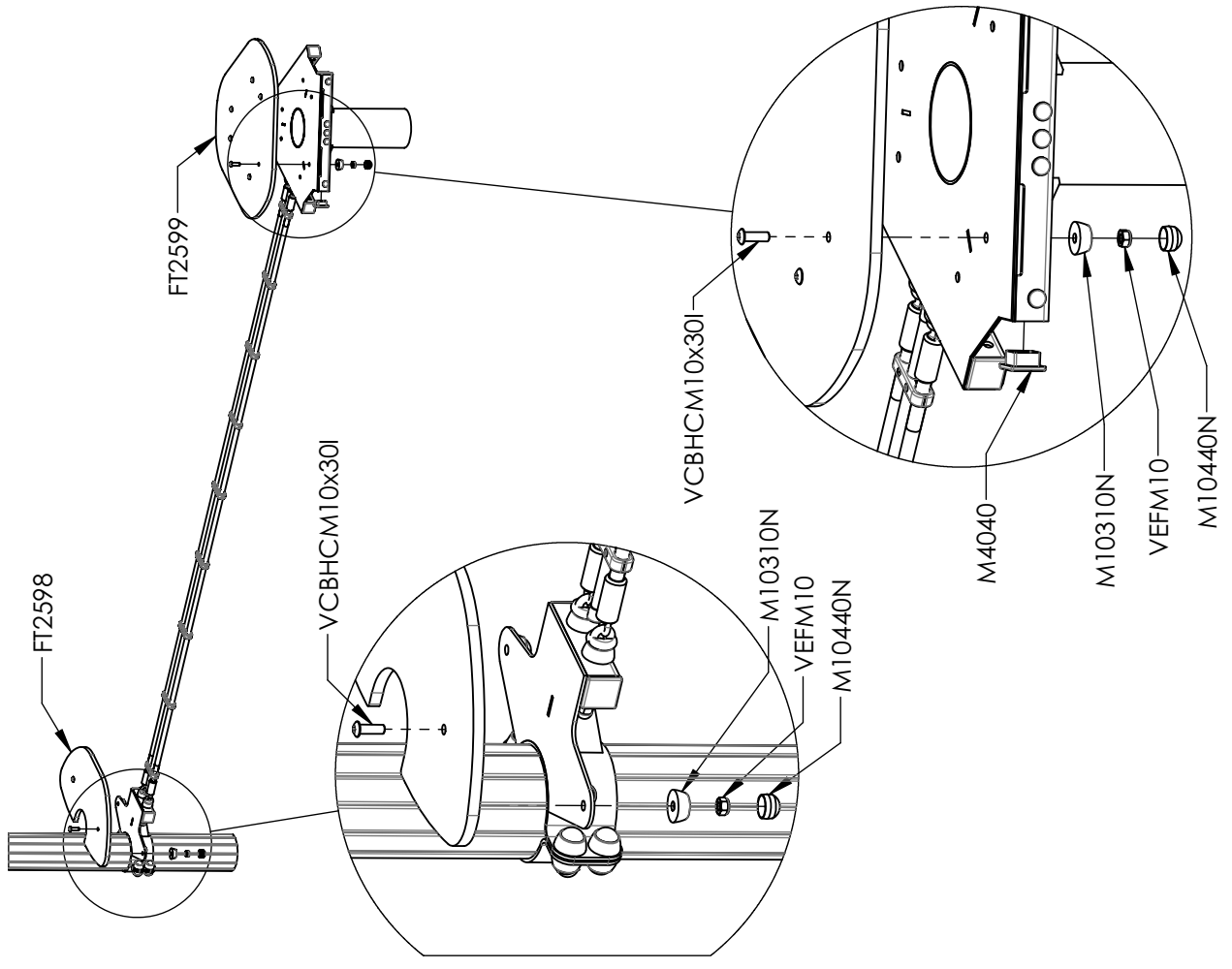
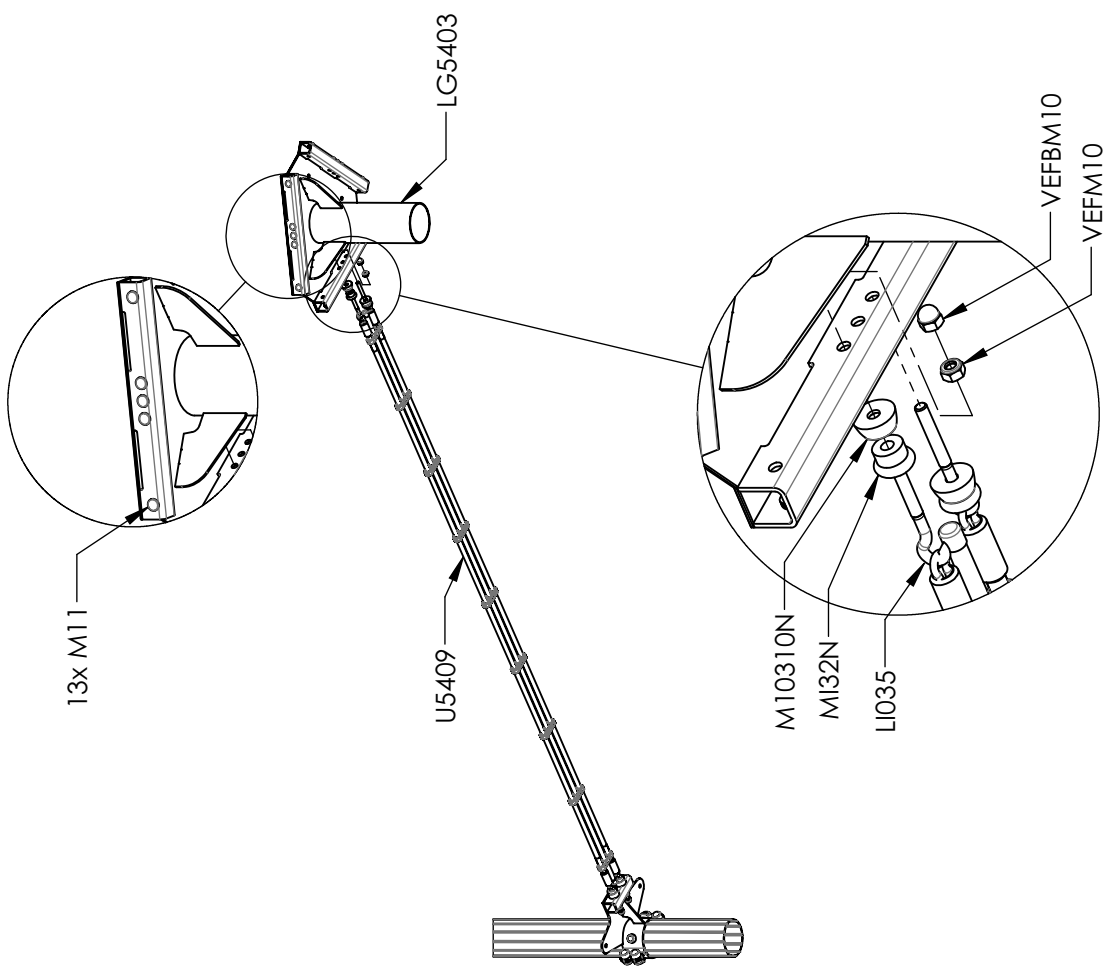
1



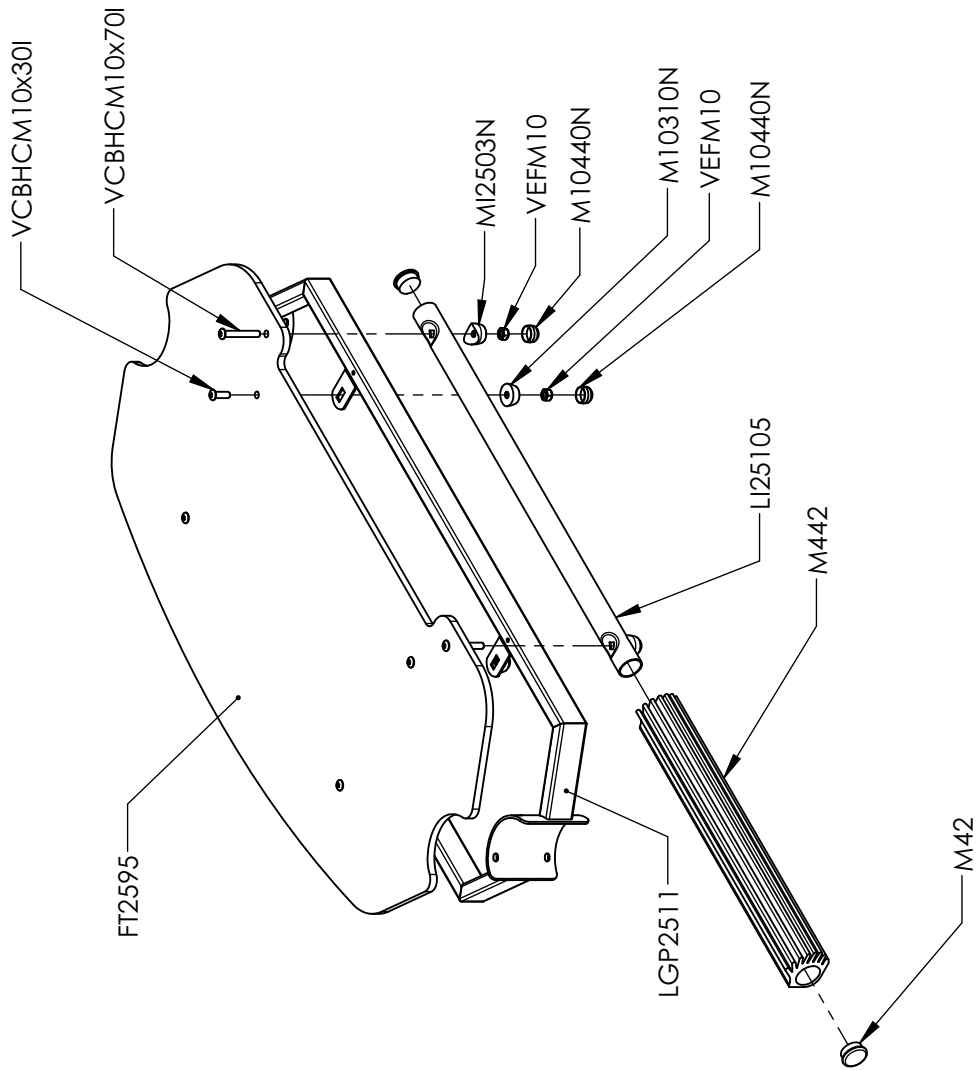
3

2

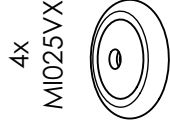




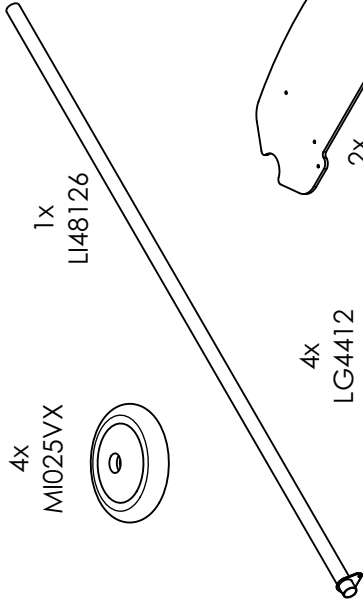
x2



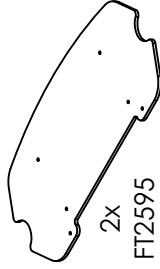
1x P4810



4x MI025VX



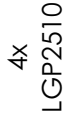
1x LI48126



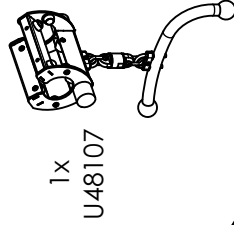
2x FT2595



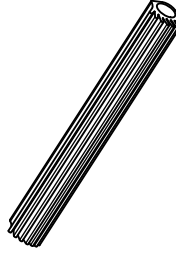
4x LG4412



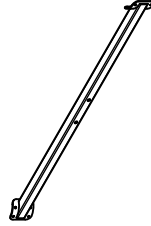
4x LGP2510



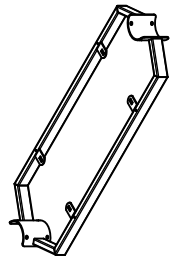
1x U48107



2x M442



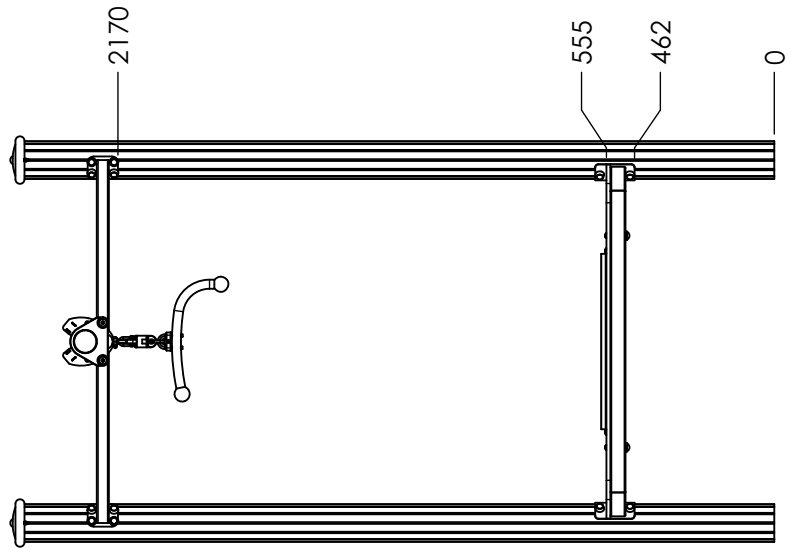
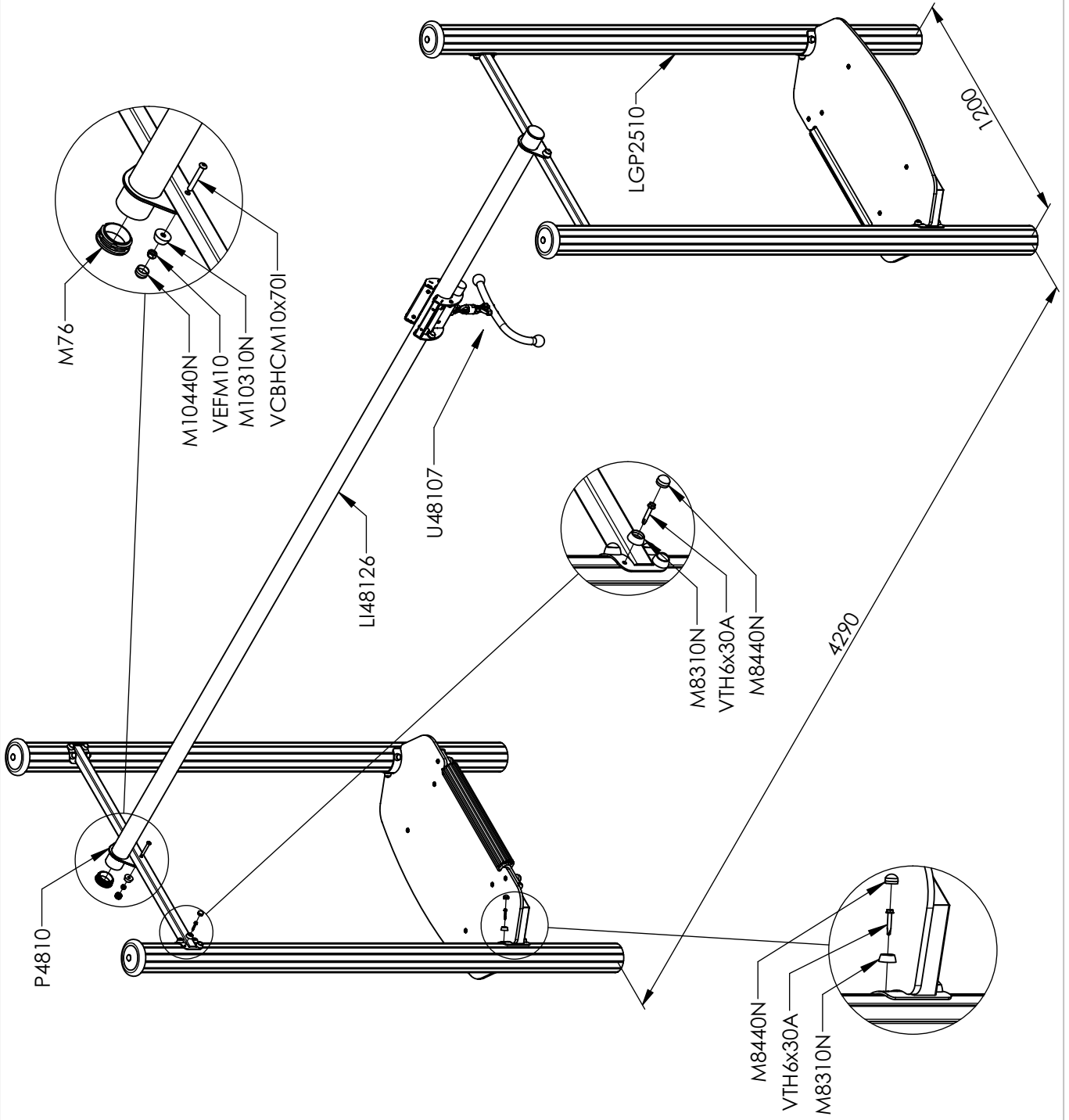
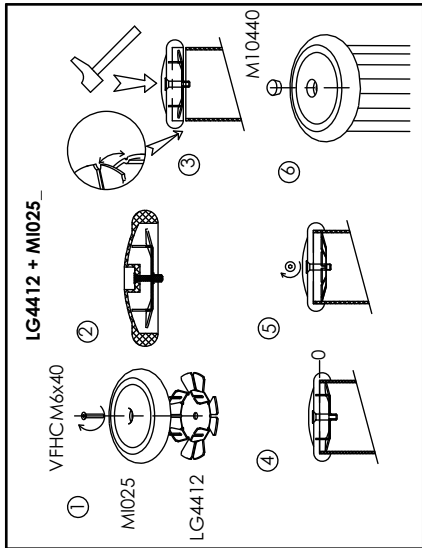
1x LI48125

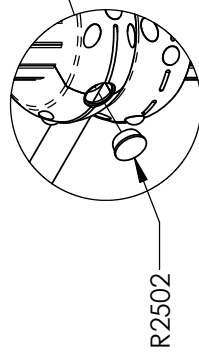
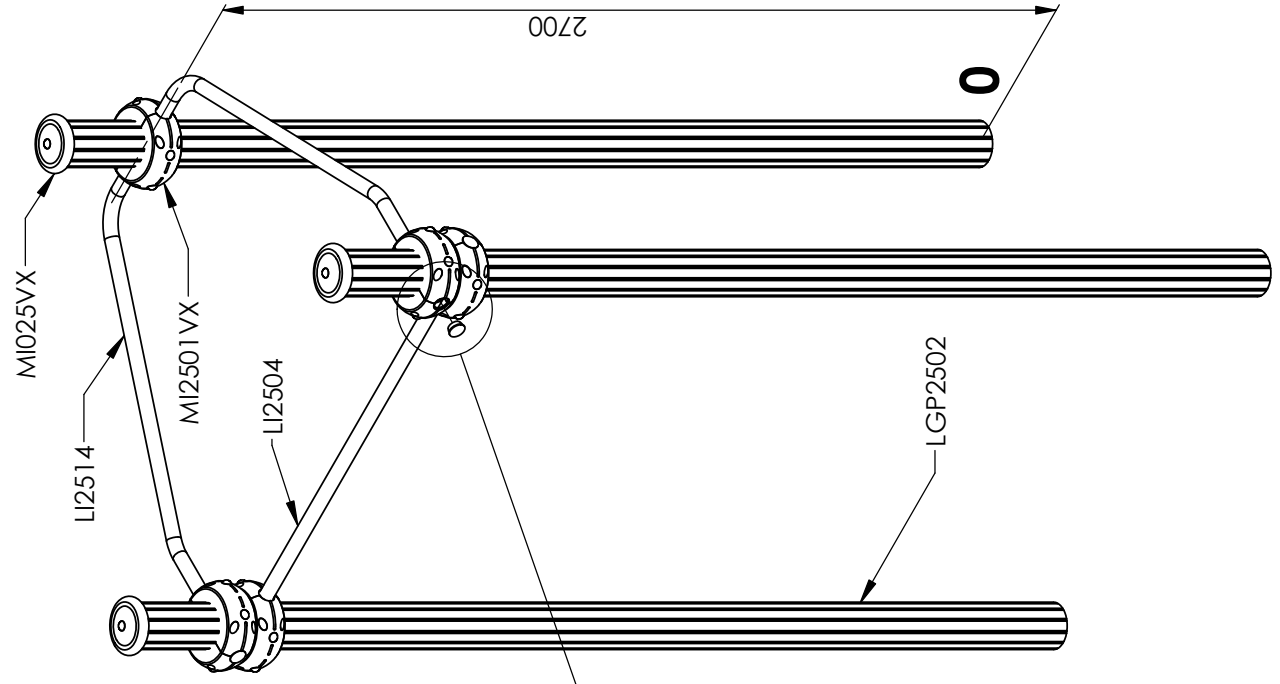
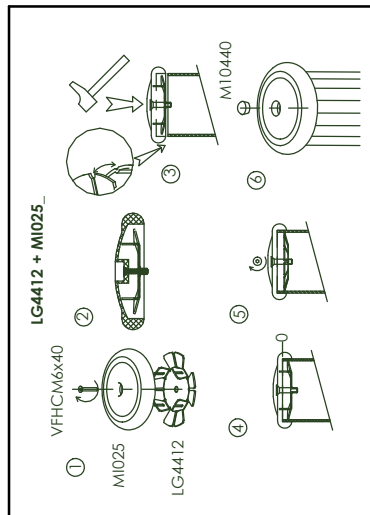


2x LI25105
2x LGP2511

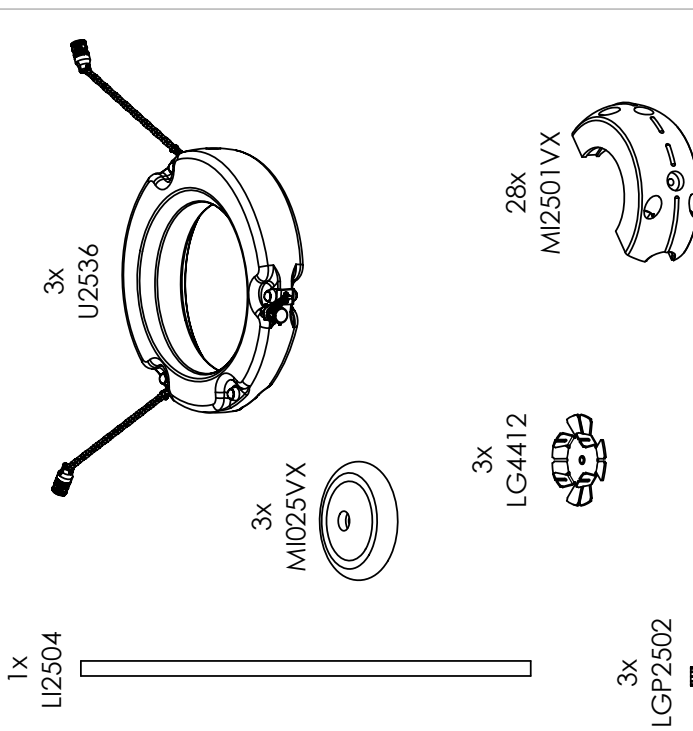
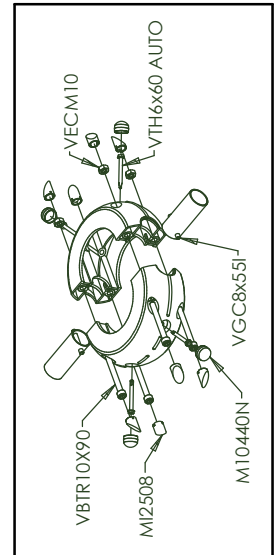


FT2595	2
LG4412	4
LGP2510	4
LGP2511	2
LI25105	2
LI48125	2
LI48126	1
M42	4
M76	2
M442	2
M8310N	32
M8440N	32
M10310N	12
M10440N	20
MI025VX	4
MI2503N	4
P4810	1
U48107	1
VCBHCM10x30I	8
VCBHCM10x70I	8
VEFM10	16
VFHCM6x40	4
VTH6x30A	32

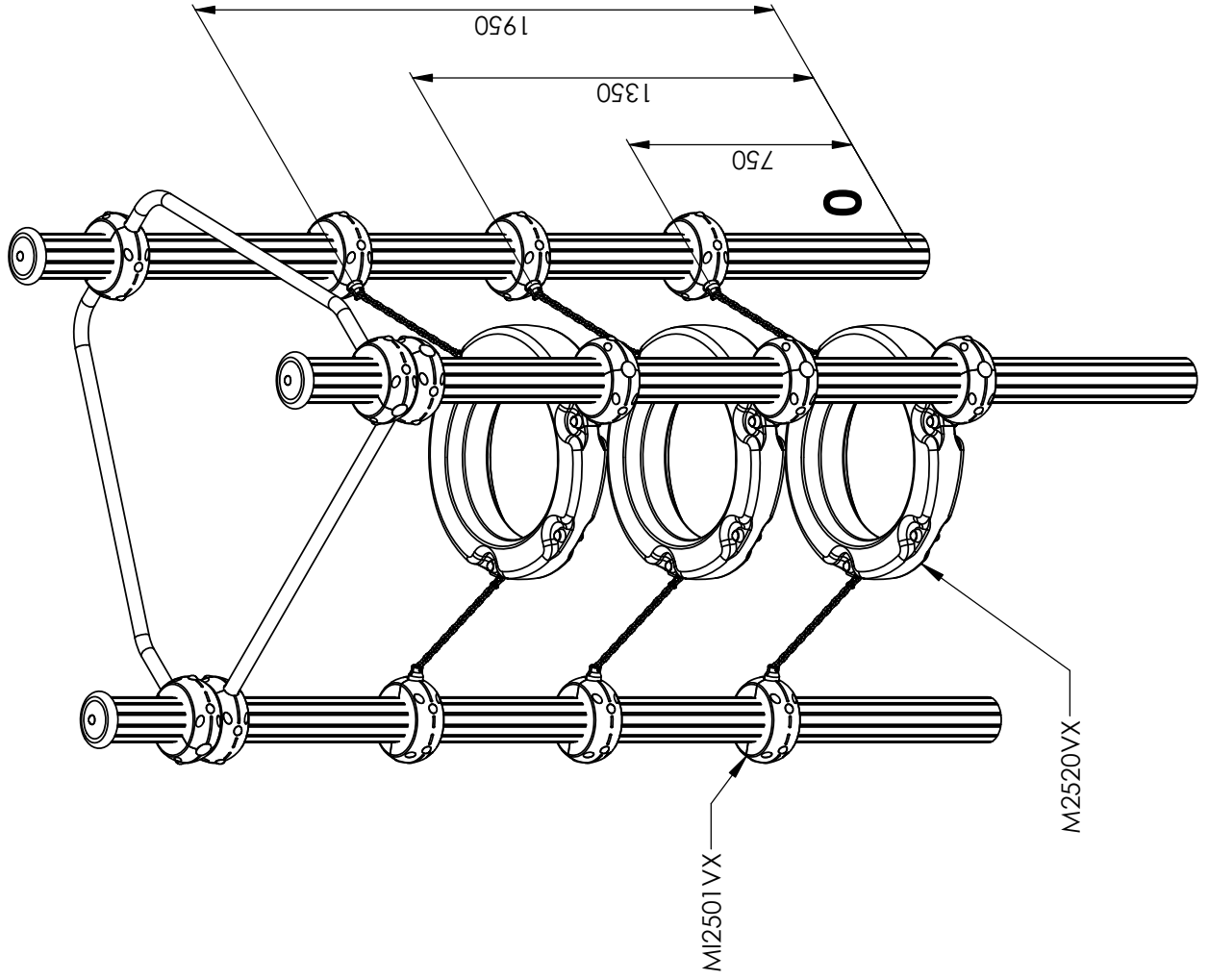
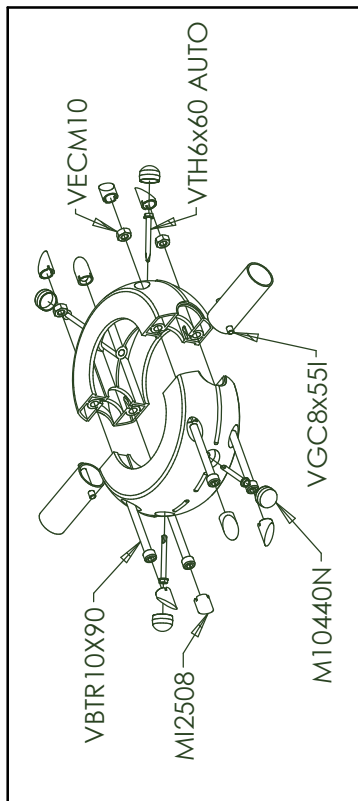


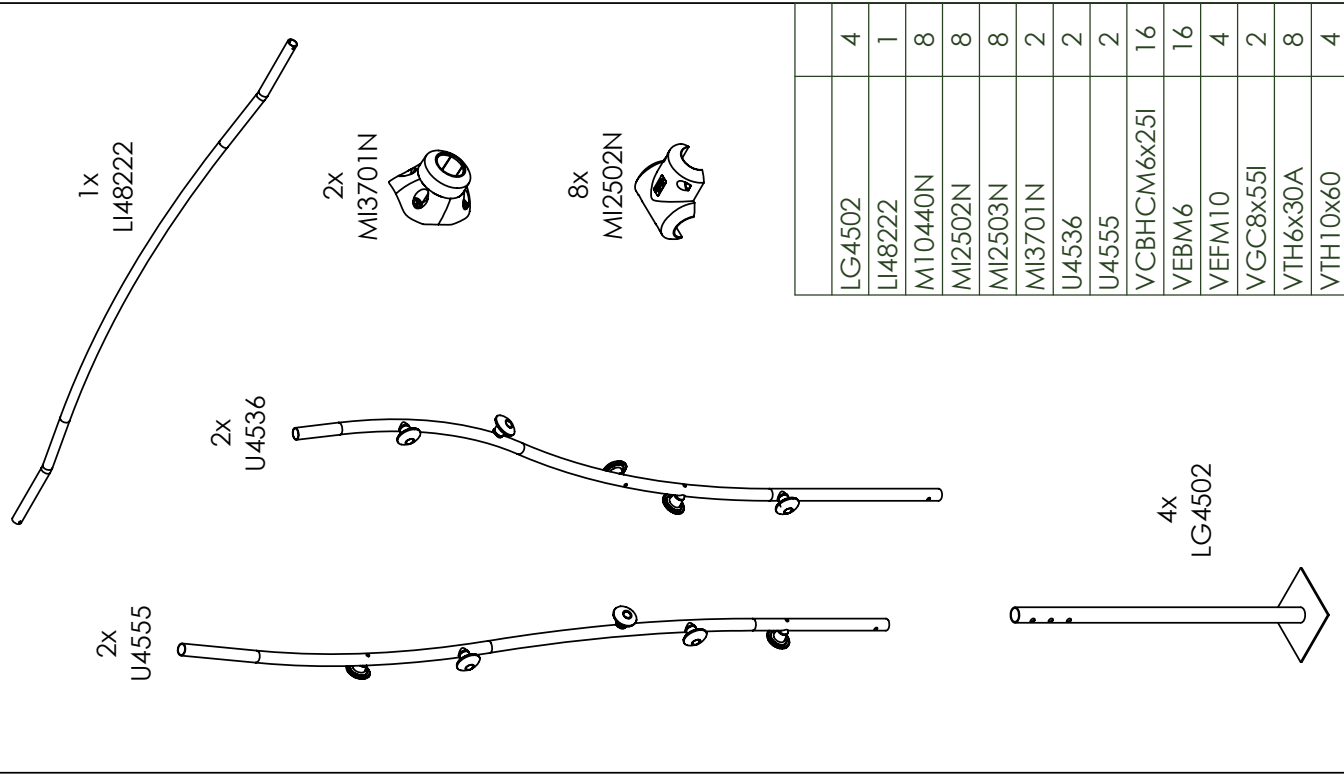
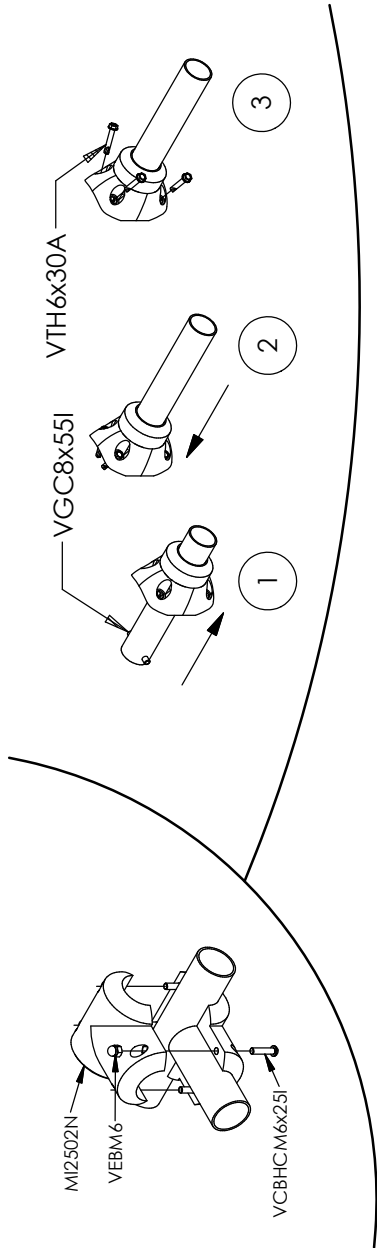


DÉTAIL
ECHELLE 1 : 10



LG4412	3
LGP2502	3
LI2504	1
LI2514	2
M10440N	59
MI025VX	3
MI2501VX	28
MI2508	112
R2502	13
U2536	3
VBR10X90	56
VECM10	56
VFHCM6x40	3
VTH6x60 AUTO	56





LG4502	4
LI48222	1
M10440N	8
MI2502N	8
MI2503N	8
MI3701N	2
U4536	2
U4555	2
VCBHCM6x25I	16
VEBM6	16
VEFM10	4
VGC8x55I	2
VTH6x30A	8
VTH10x60	4

