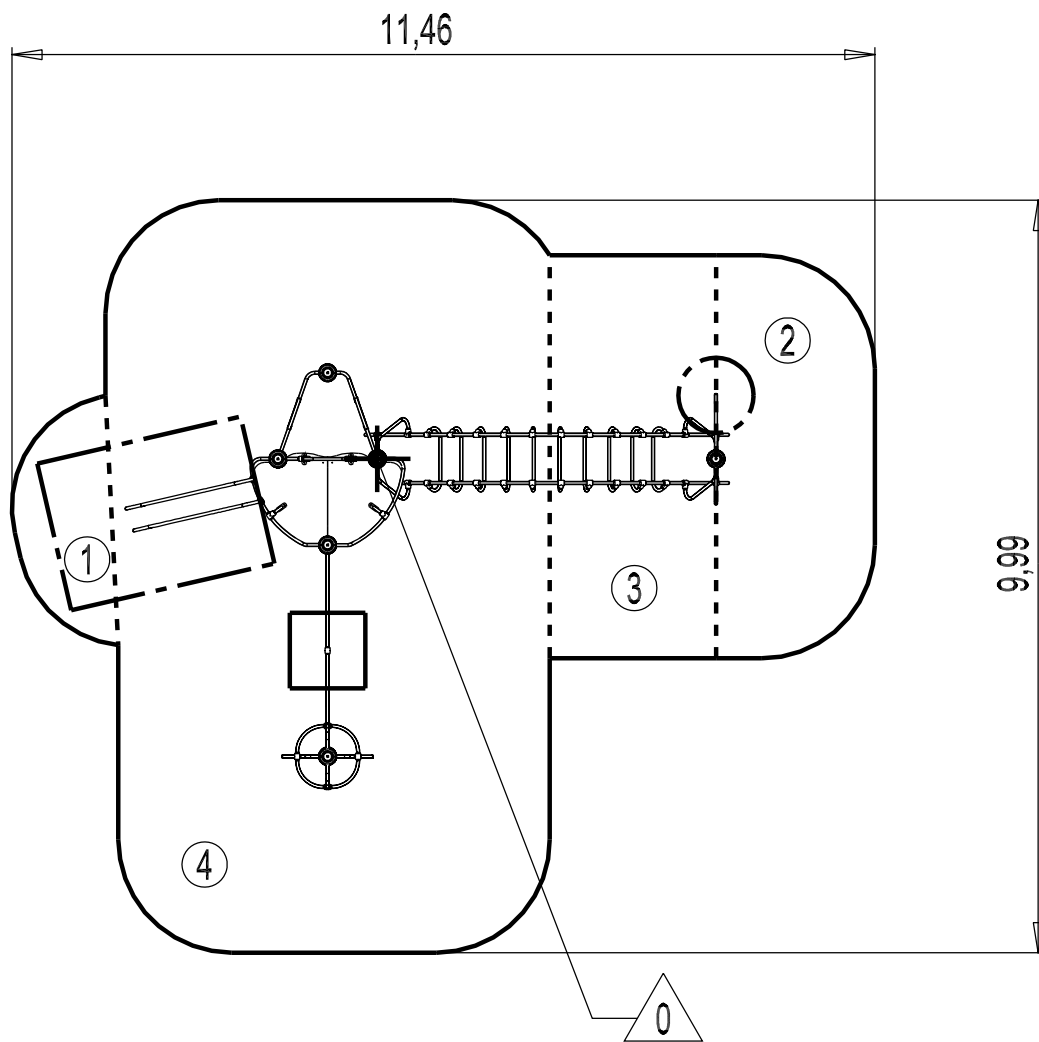


N°		M ²
①	0.6 m	3.5 m ²
②	2 m	10.5 m ²
③	2.4 m	12 m ²
④	2.5 m	56.5 m ²

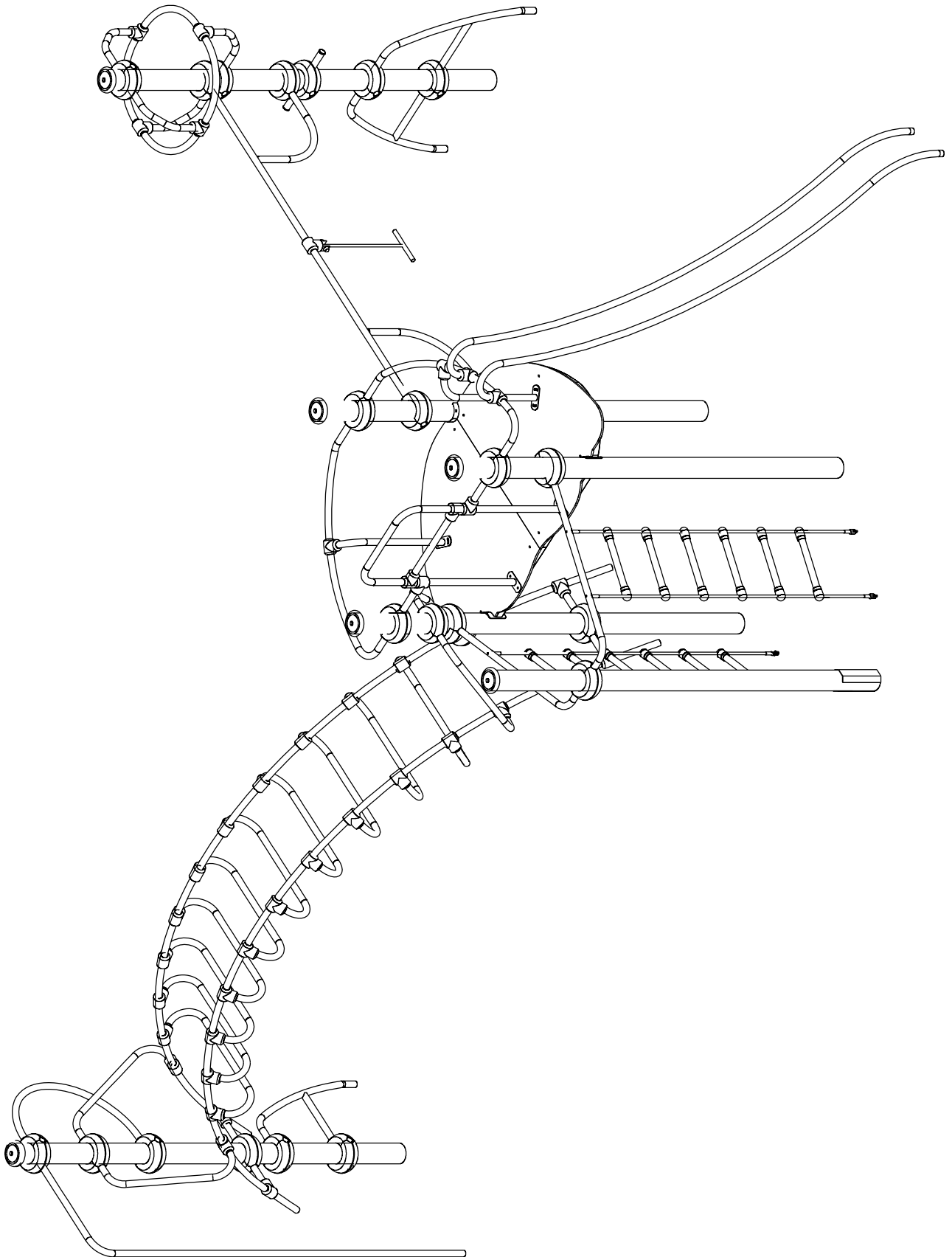
— Zone d'Impact
Impact Area
Area de Impacto
Fallraum

— Espace libre
Free Space
Espacio Libre
Freiraum

EN1176-1 : 2017

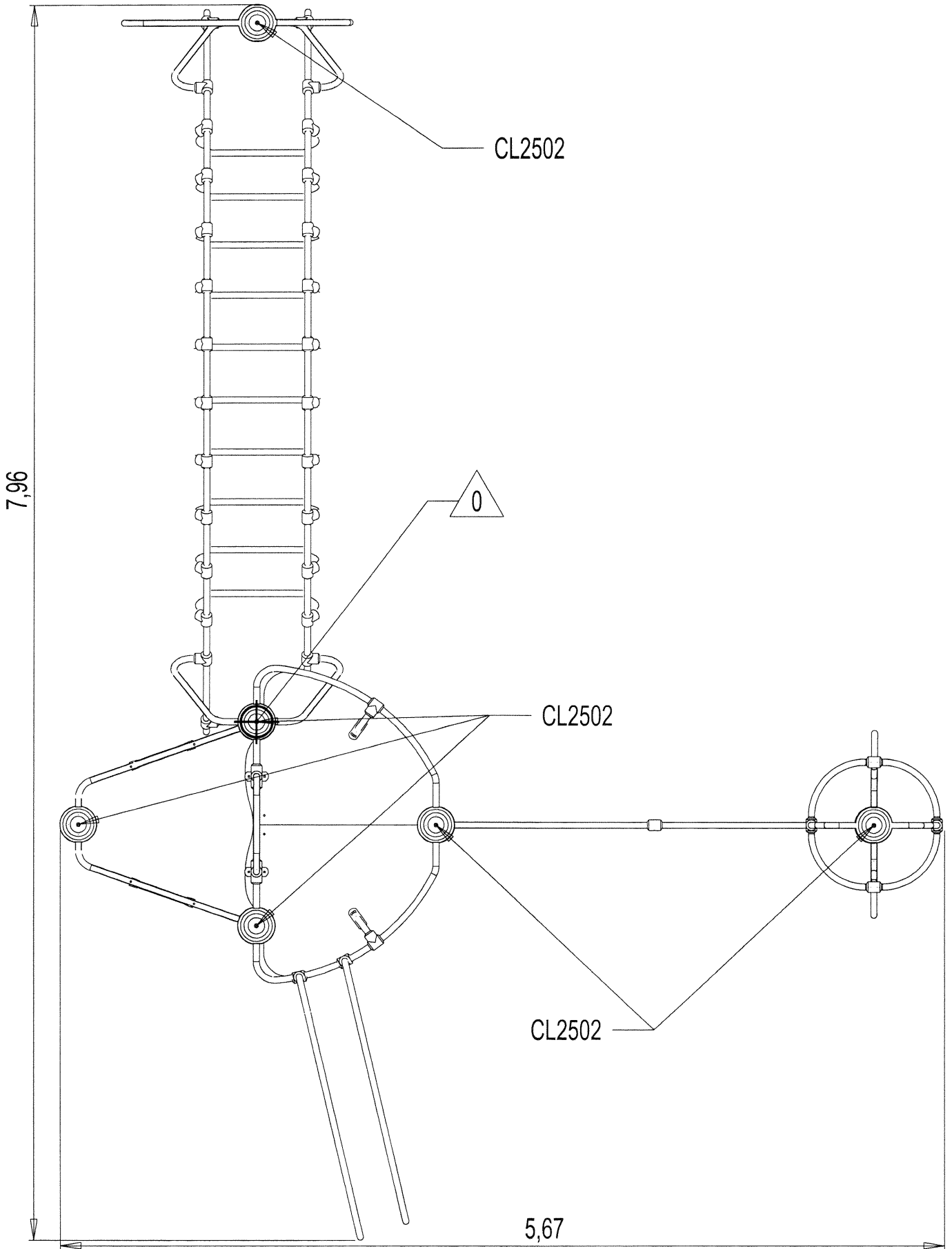


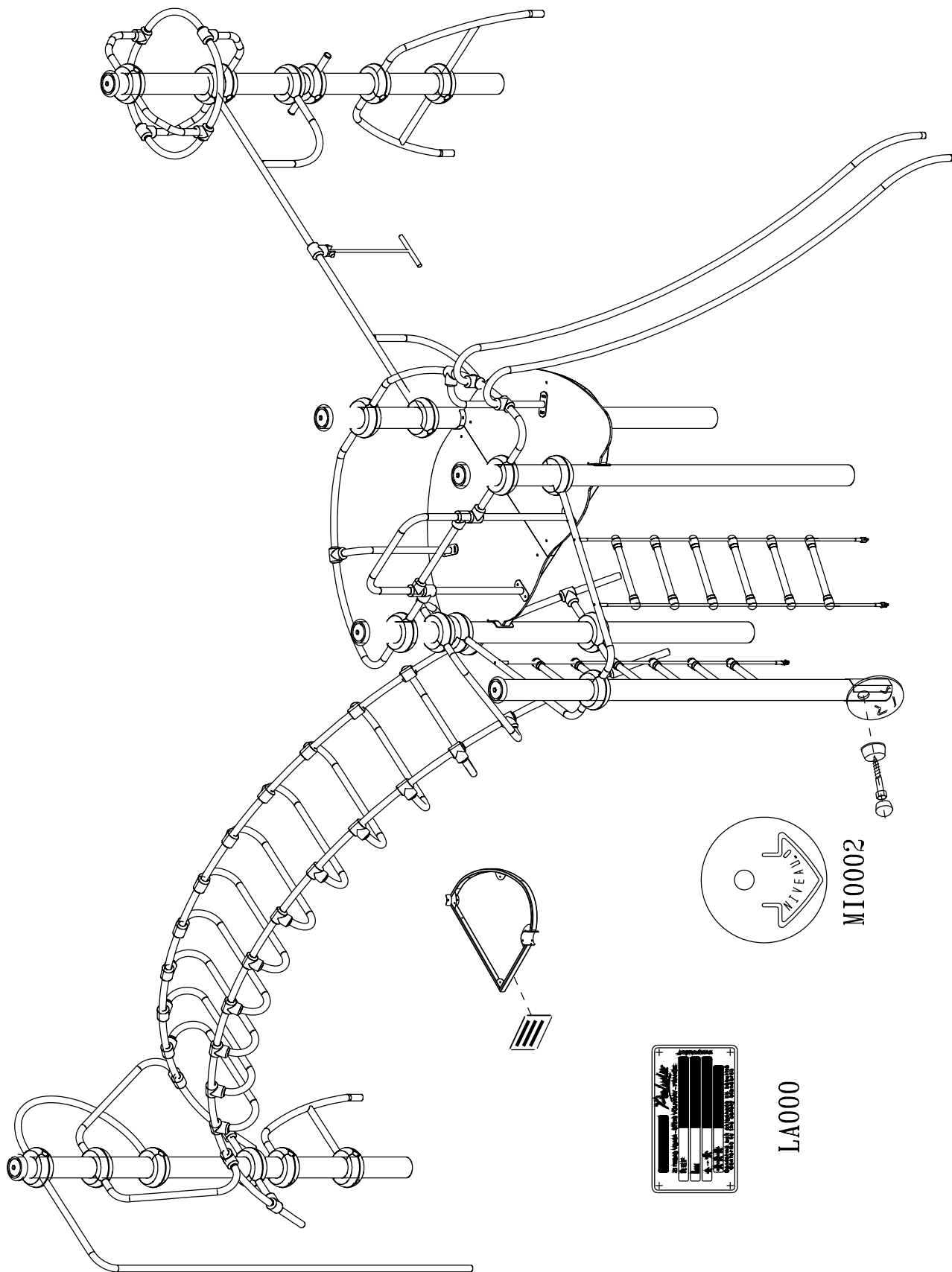
Point de Référence
Setting Out Point
Punto de referencia
Bezugspunkt



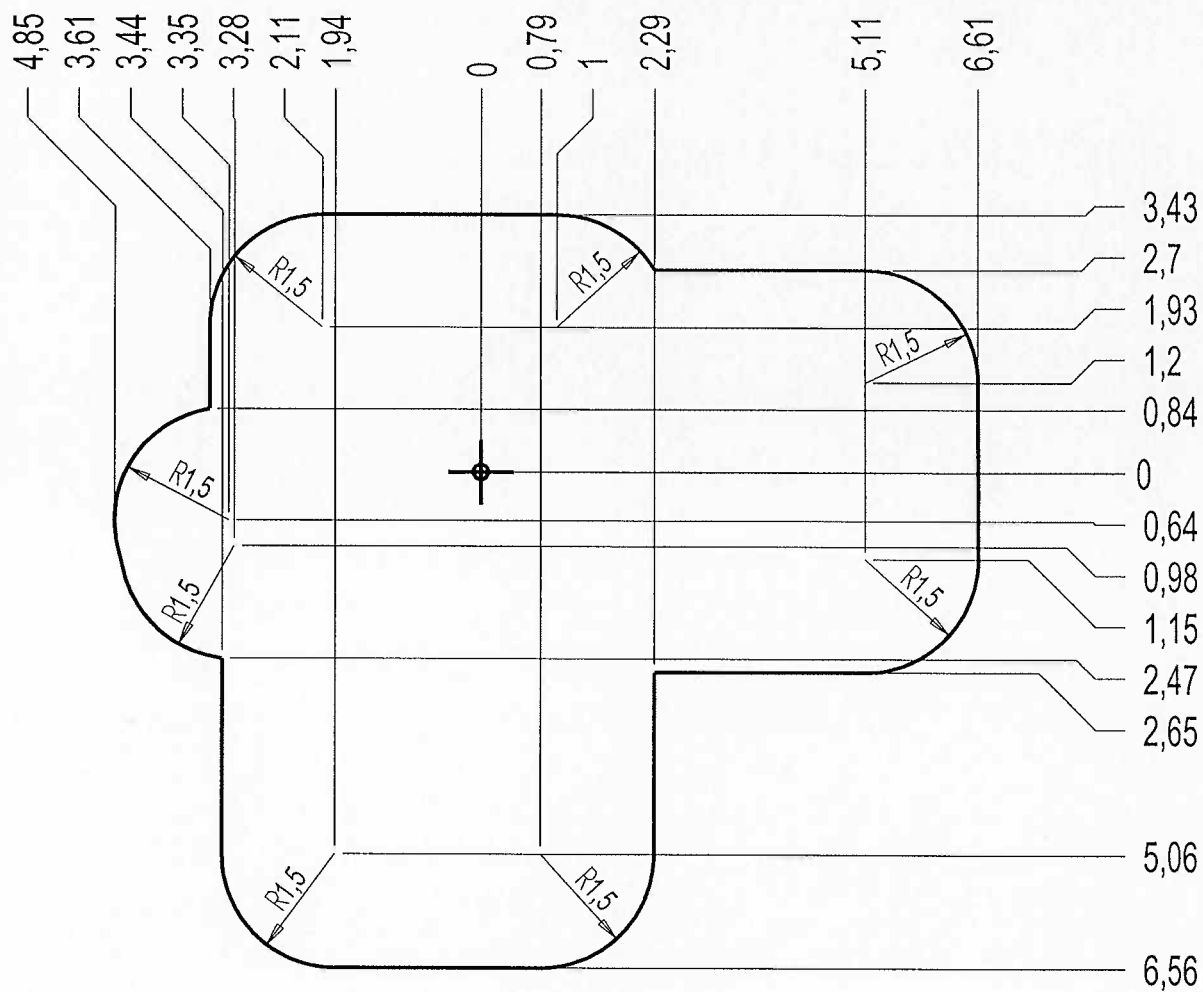
J2558

Proludic

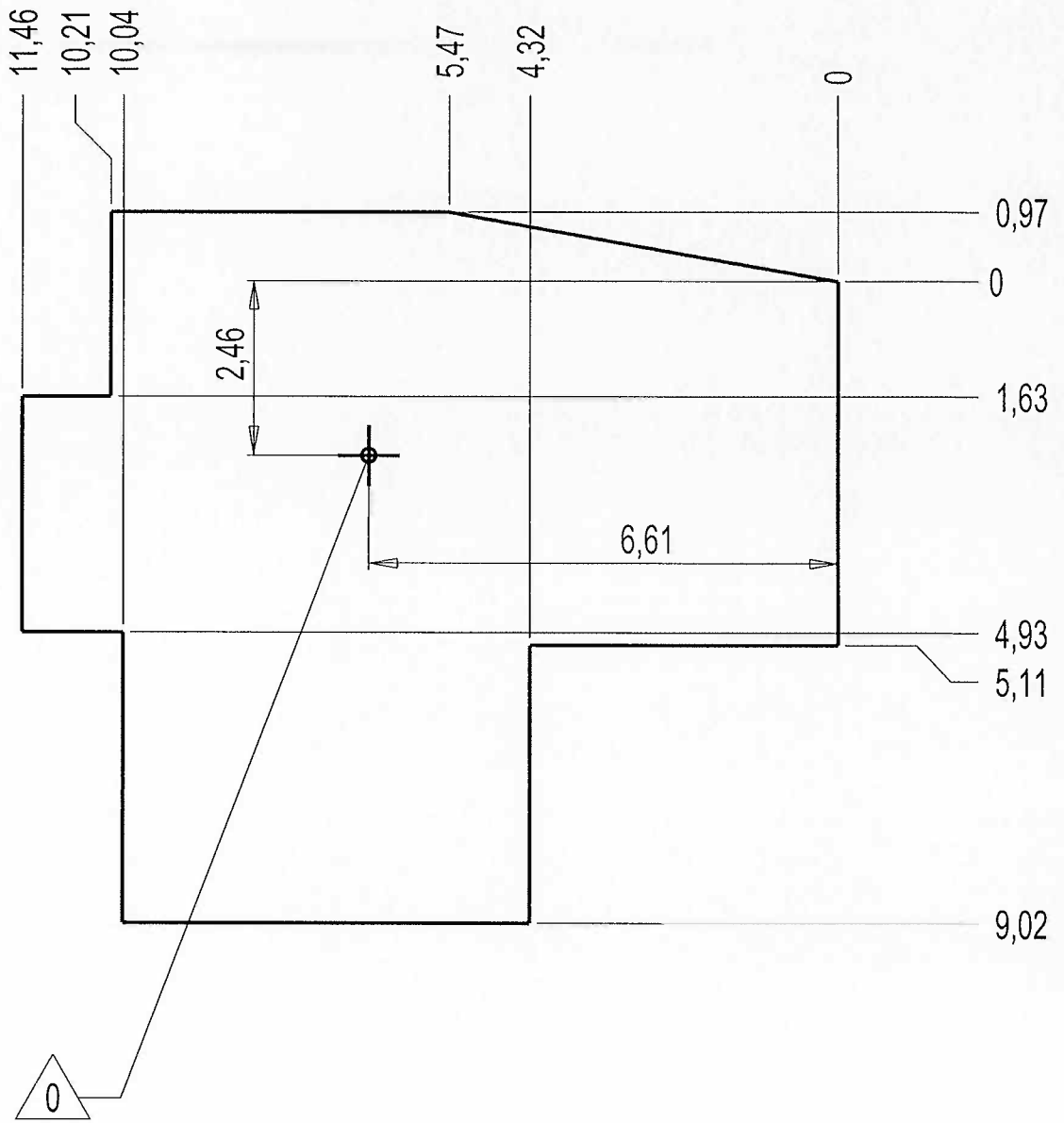




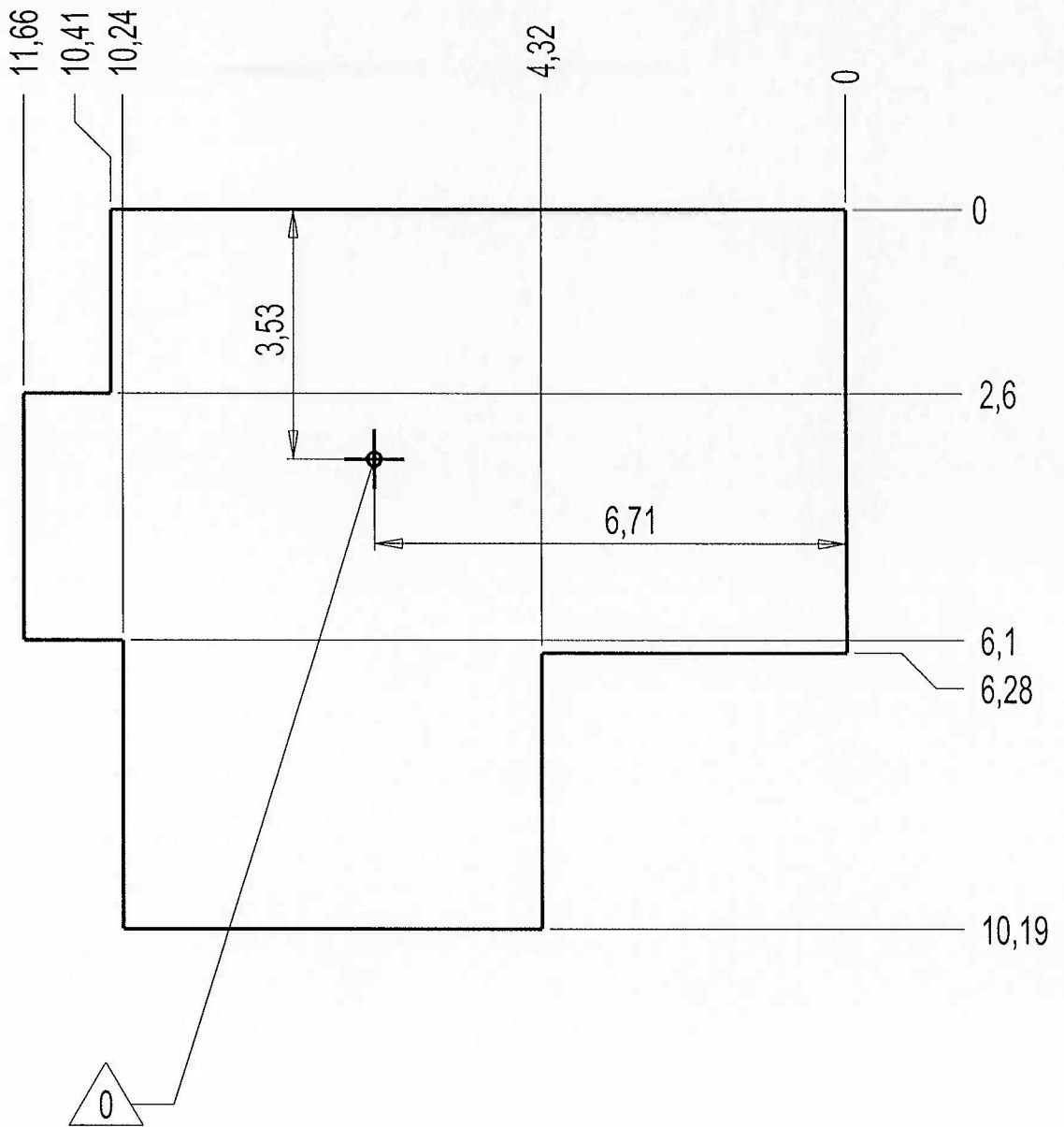
— Zone d'Impact 82.5 m²
 Impact Area
 Area de Impacto
 Fallraum



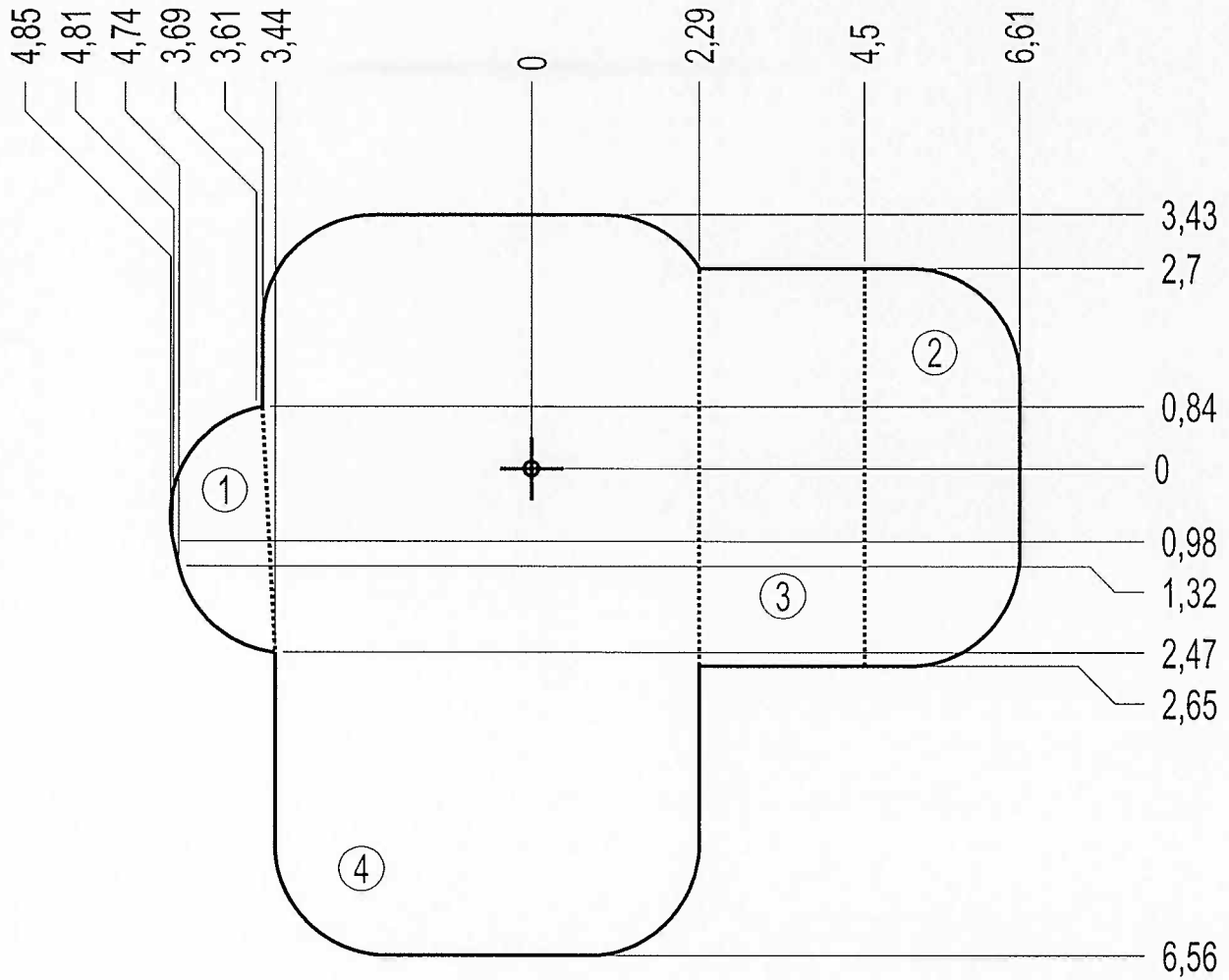
— Dalle béton 42 m
Concrete pad 86 m²
Solera de Hornigón
Beton Bodenplatte



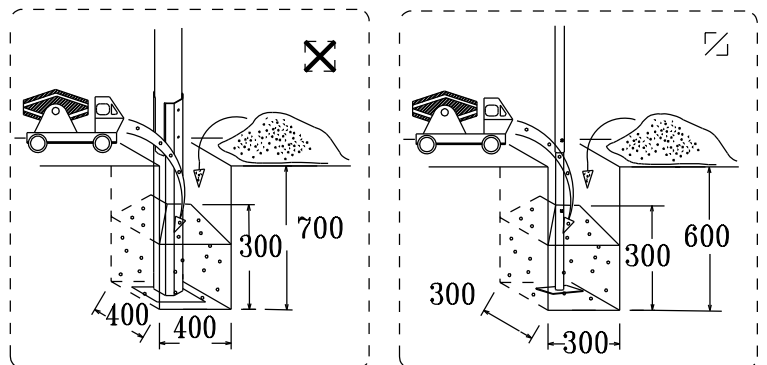
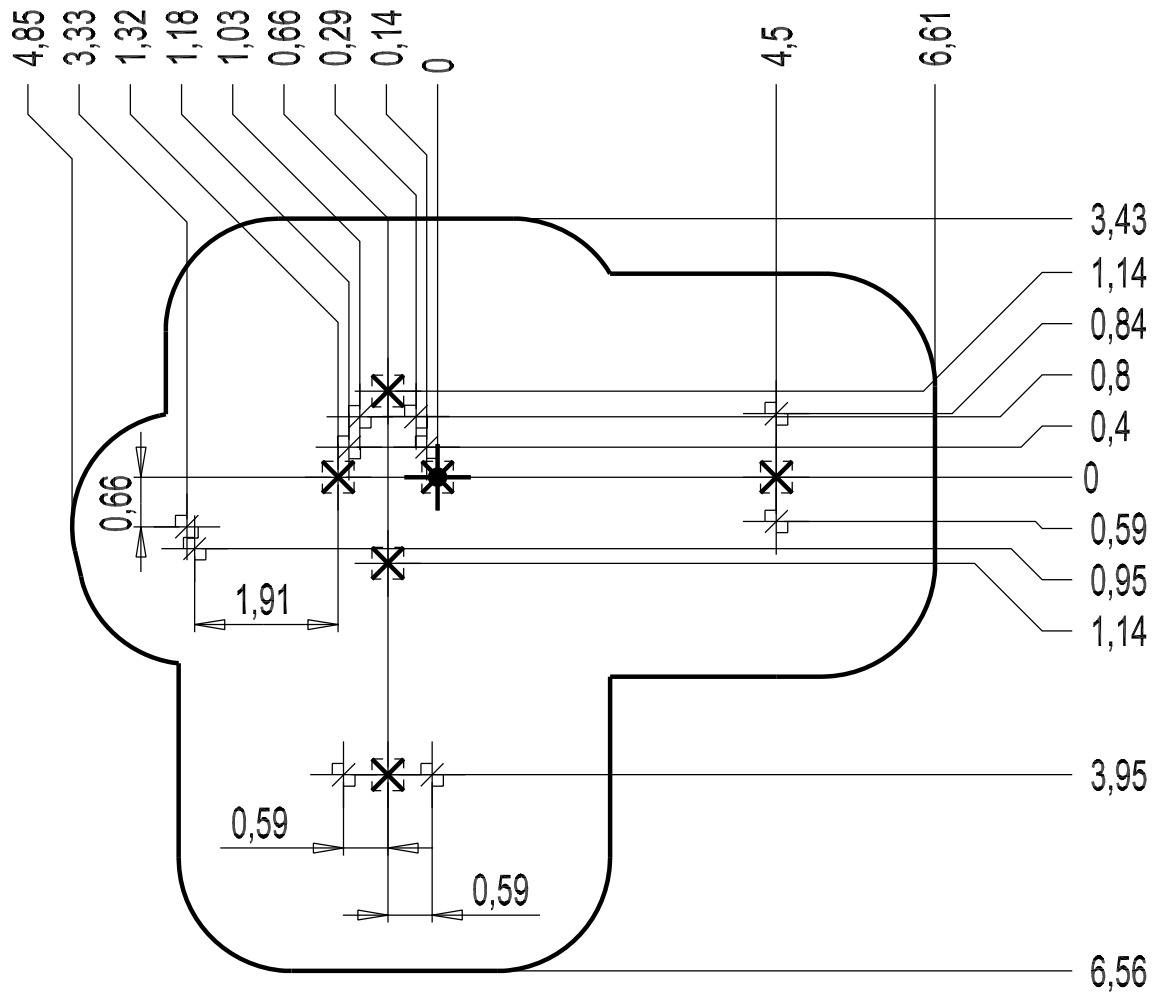
- Sol fluent 44 m
- Loose particle material 93 m²
- Arenero
- Loses Bodenmaterial



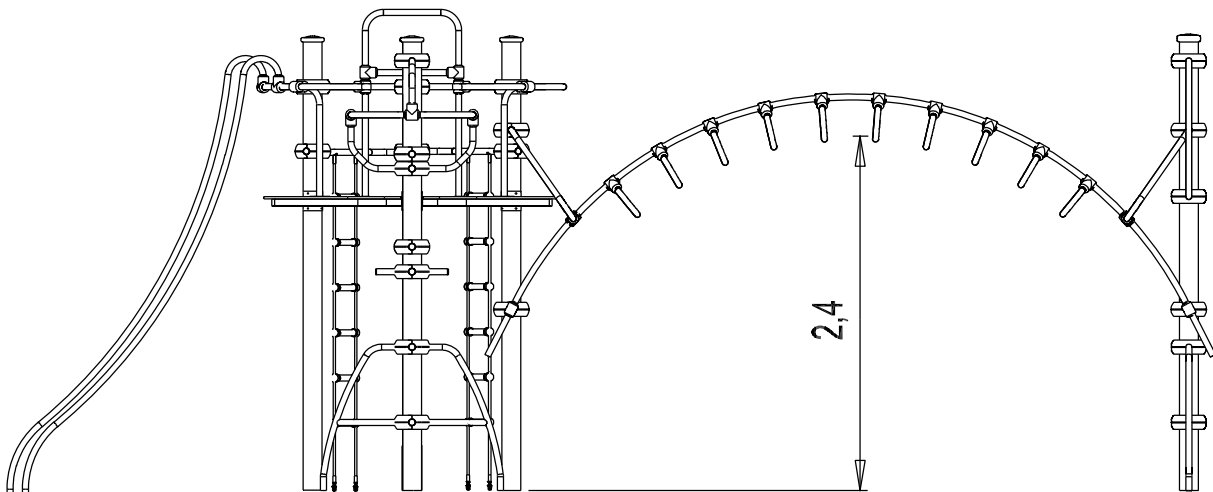
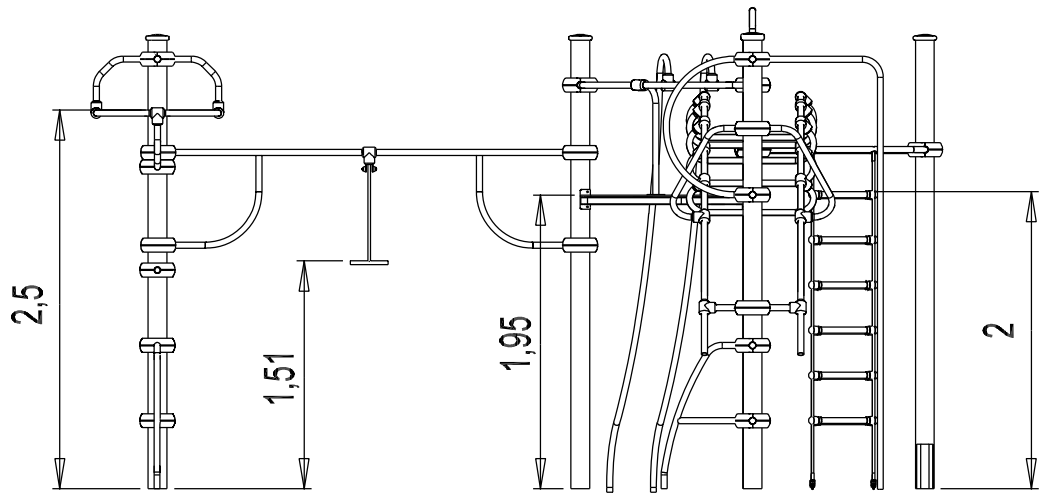
— Sol souple 82.5 m²
 Wetpour
 Caucho Continuo
 Synthetischer Fallschutz

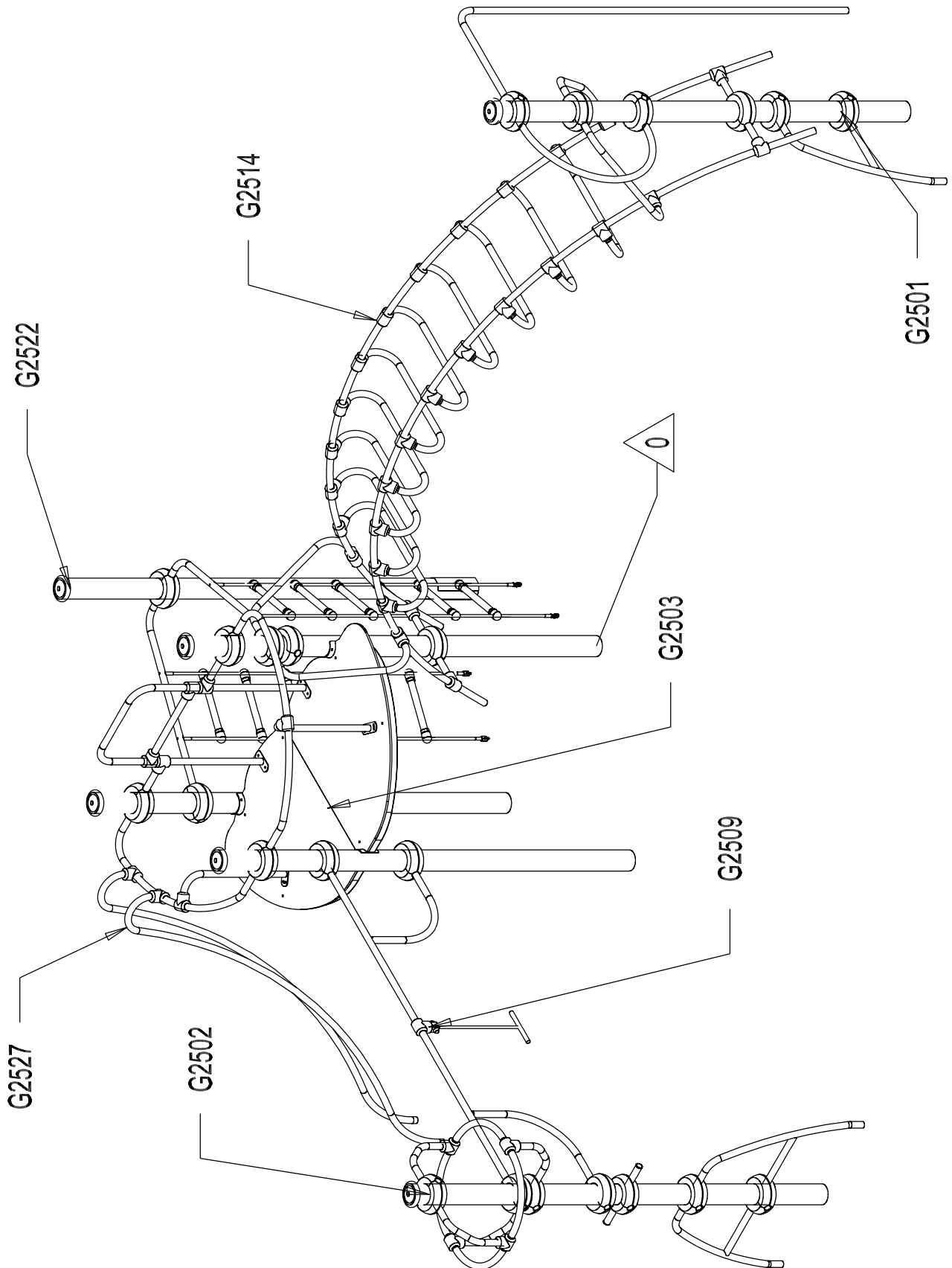


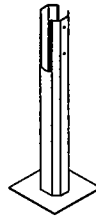
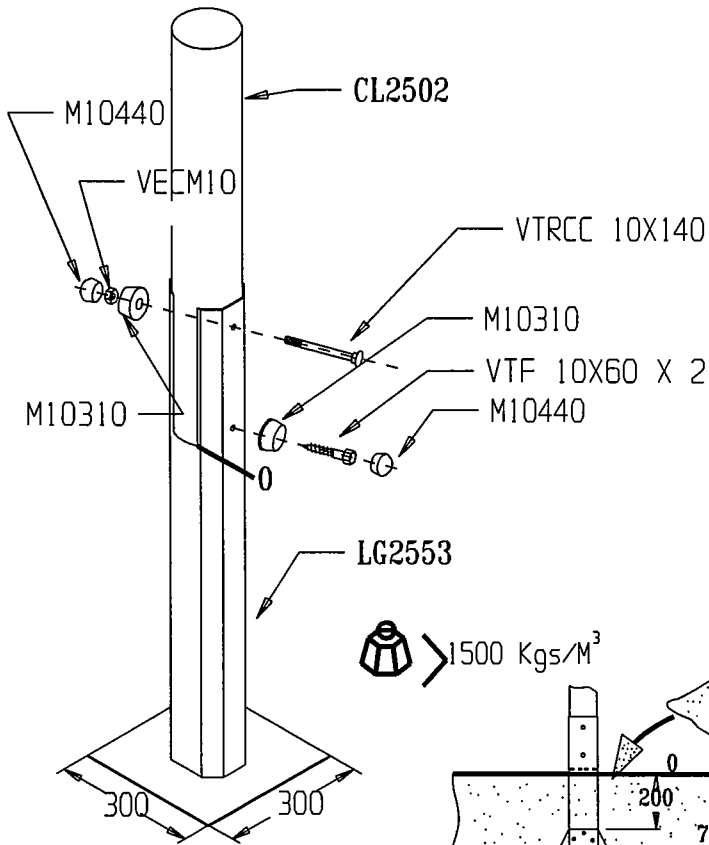
Implantation
 Footing plan
 Implantación
 Fundamentplan



<p>x2</p>	<p>20H</p>	<p>0.5m³</p>
-----------	------------	-------------------------

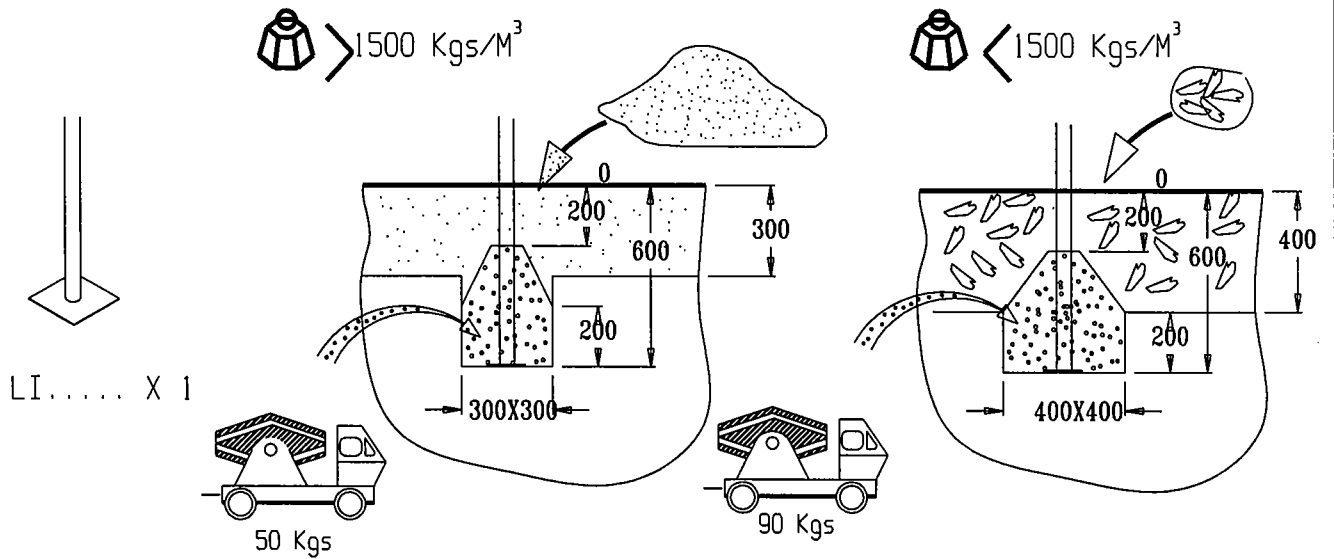
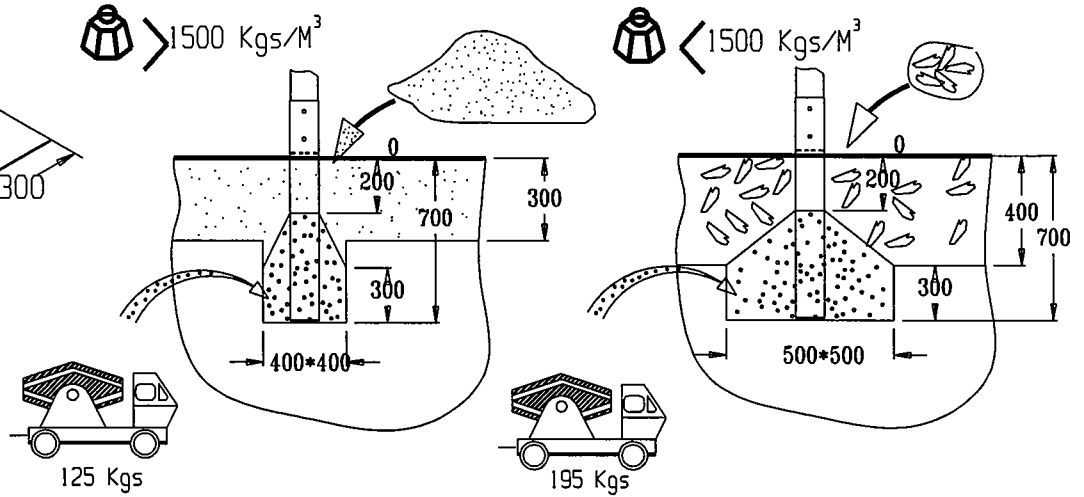




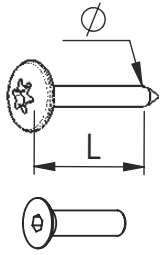


LG2553 X 1

	VTRCC 10x140	1
	VECM10	1
	VTF 10x60	2
	M10310	3
	M10440	3

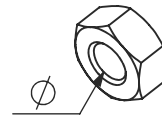


LI..... X 1

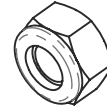


VBT 6 x 30
 \varnothing \uparrow L (mm)

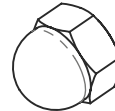
VFHC



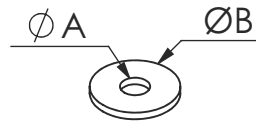
VEC M10
 \varnothing



VEF



VEB

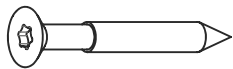


VR6x18
 $\varnothing A$ $\varnothing B$

1000 - 1800 tr/min
 Vitesse de rotation
 Rotation speed

14 N.m
 Couple de rupture
 Torque of break

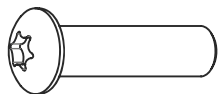
VTHA



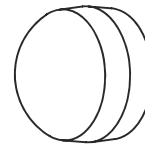
VWT



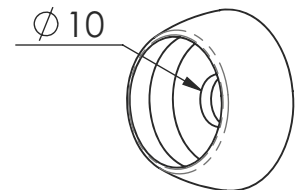
VGC



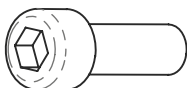
VCBHC



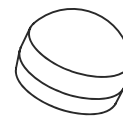
M10 440N



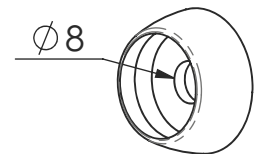
M10 310 N



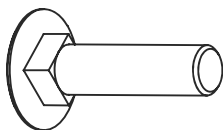
VBTR



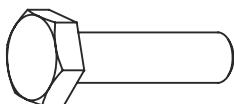
M8440N



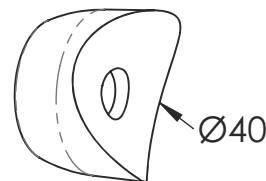
M8310N



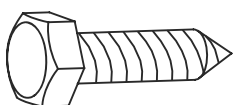
VTRCC



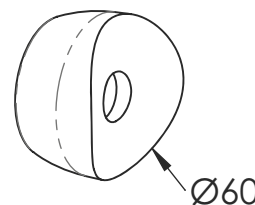
VTH



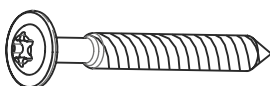
MI2503



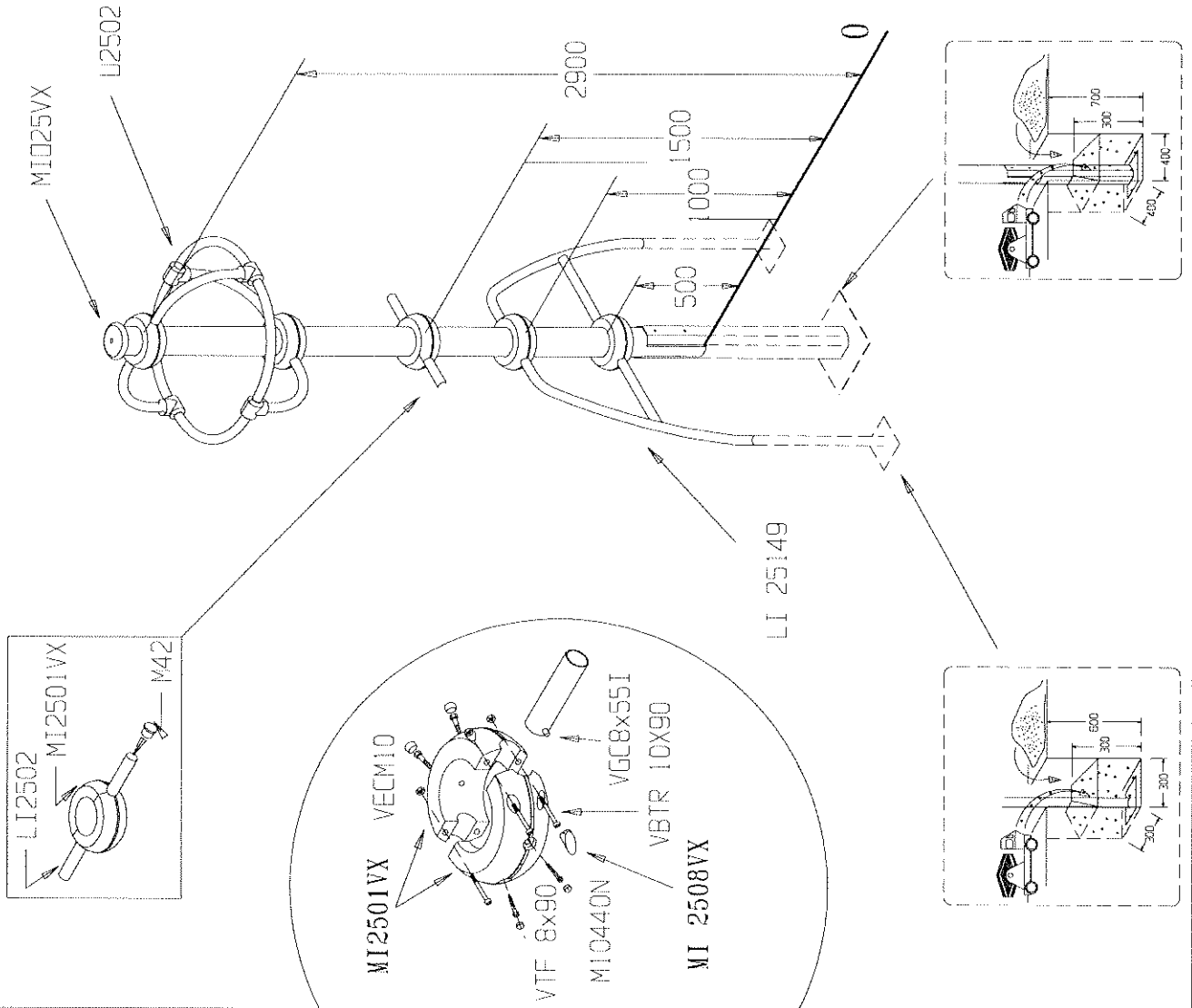
VTF



MI2701



VBT



LI2502 X 2
Lg 167



U2502 X 1

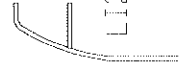


MI2501VX X 10



MI025VX X 1

CL2502 X 1
Lg 3000

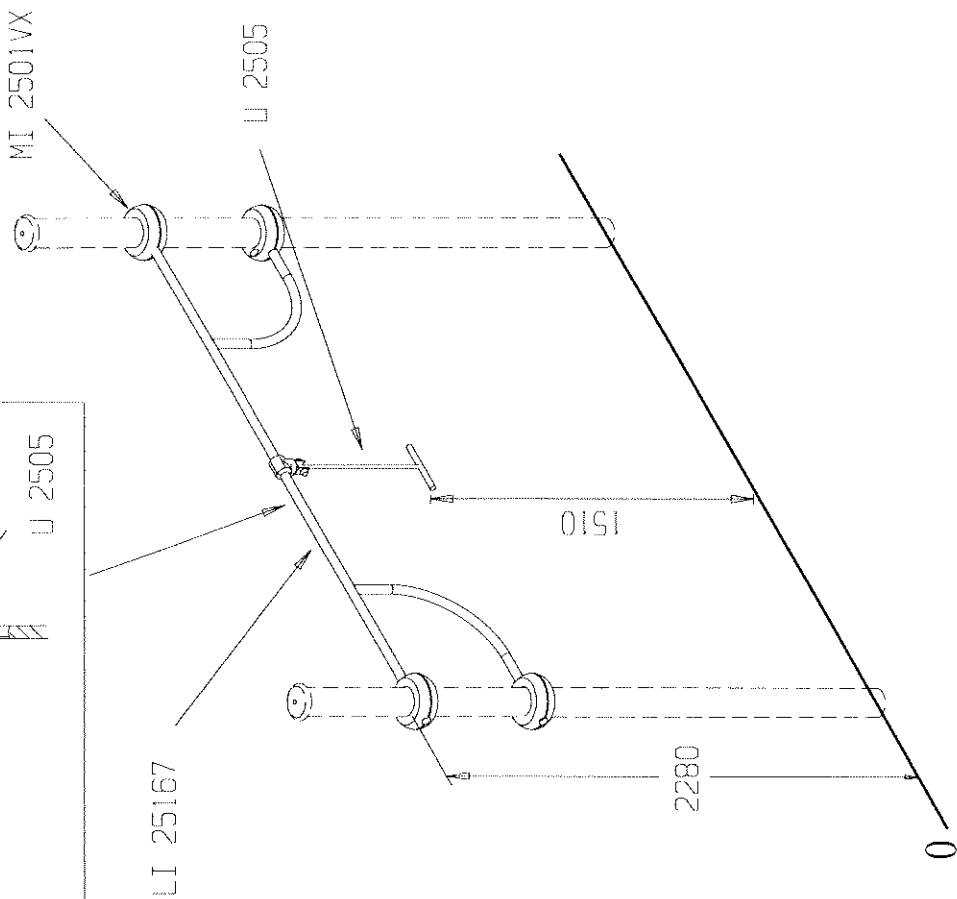
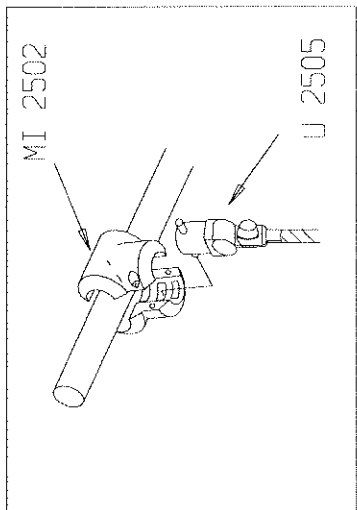


LI25149 X 2



LG25553 X 1

	VGC8*55I	6
	VBT 7x60	1
	VTF 8x90	20
	VTF 10x60	2
	VTRC10x140	1
	MI0440	24
	MI0310	3
	VECM10	21
	VBTR 10x90	20
	MI 2508VX	40
	M42	2



U 2505 x 1



MI2502VX x 2

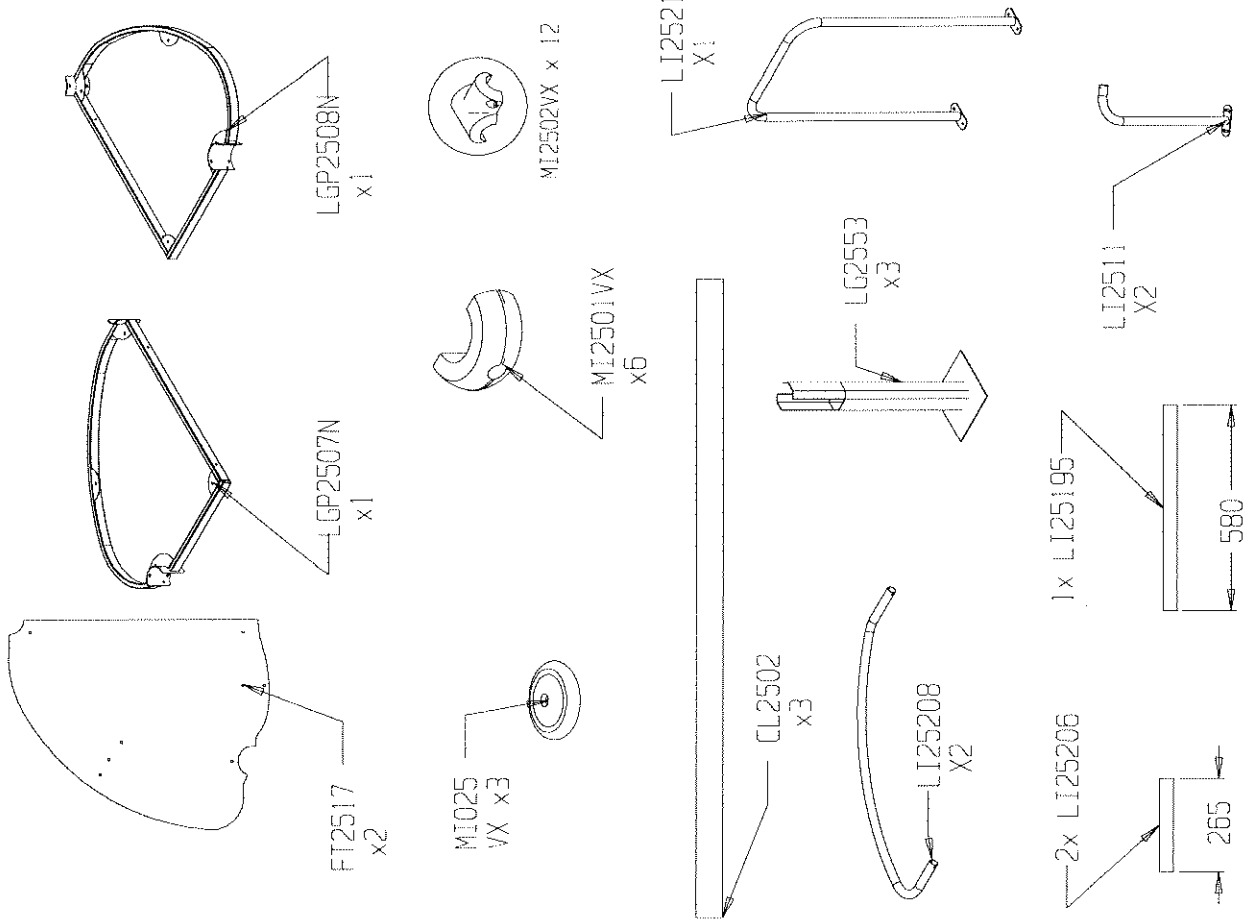
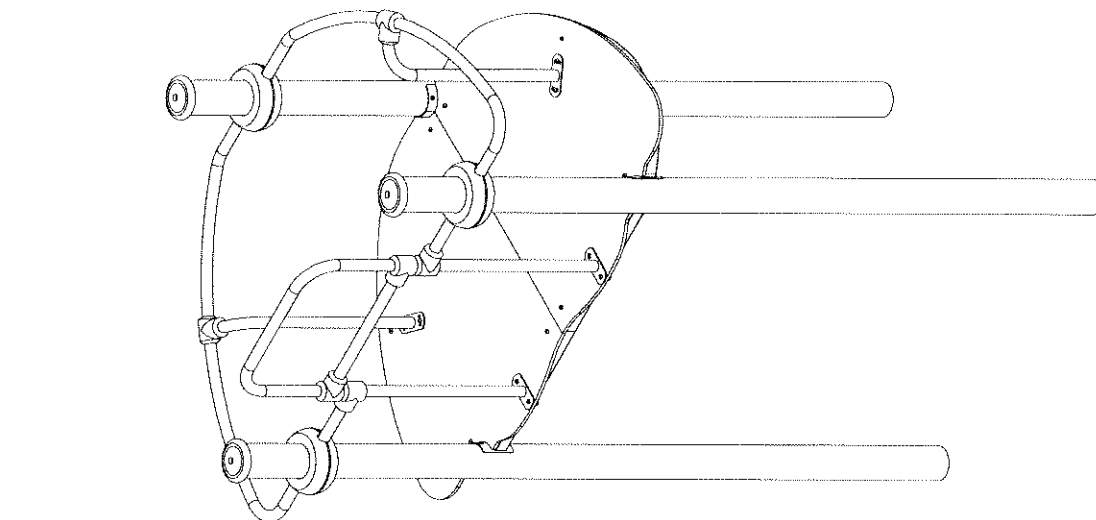


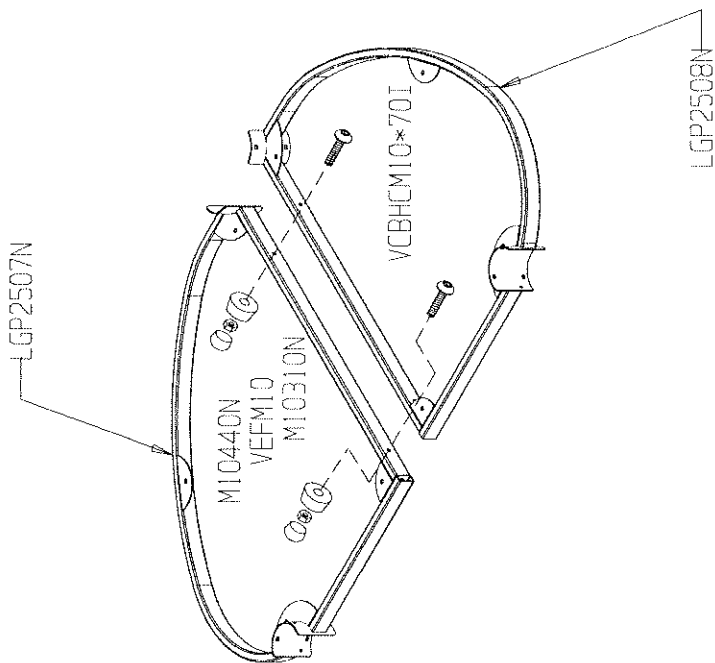
MI2501VX x 8




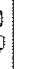
LI 25167 x 1
Lg 2675

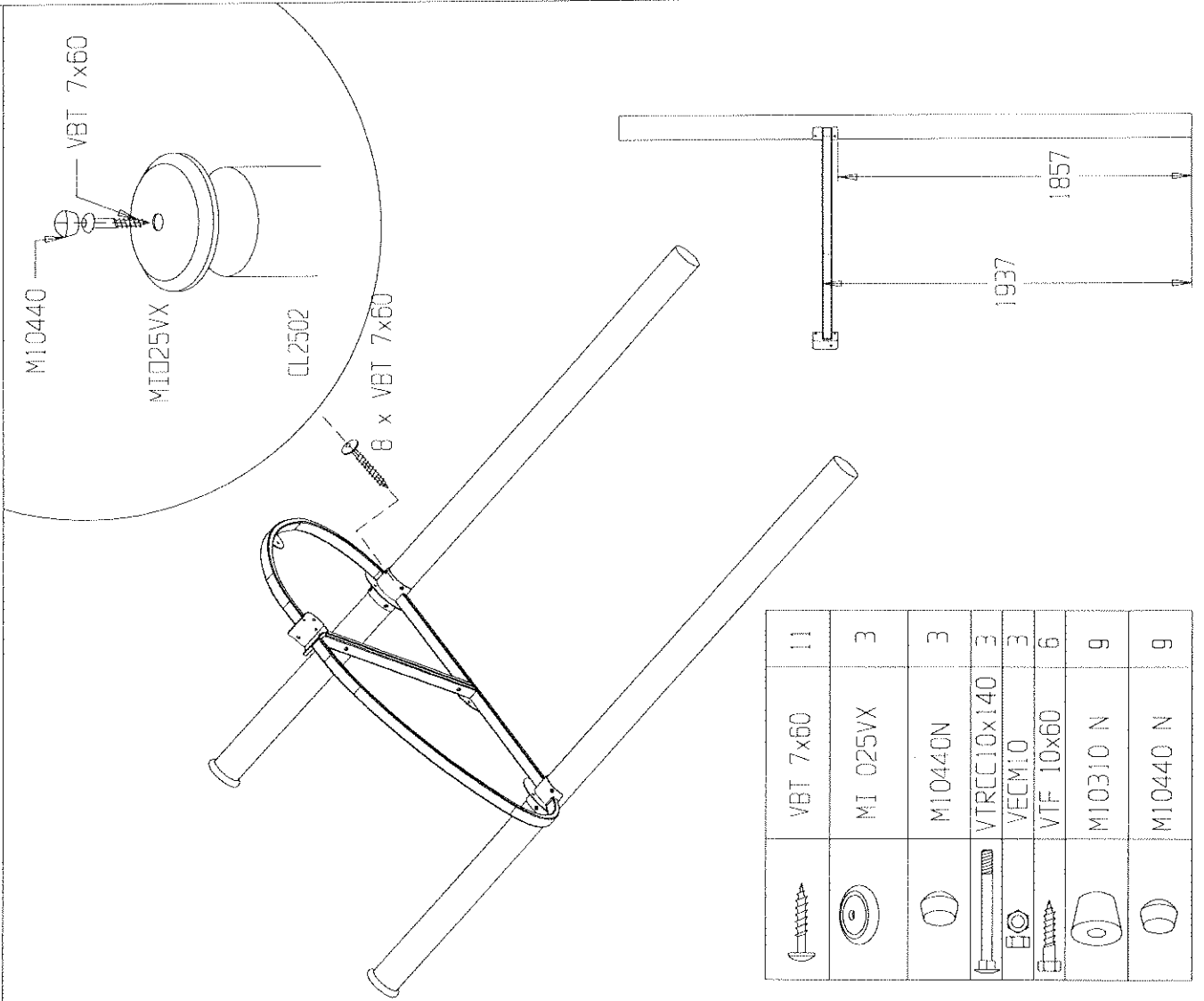


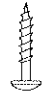







	VBTR 10x90	16
	VTF 8x90	16
	VCZX 6x25	4
	VEBM6	4
	M10440N	16
	VECM10	16
	MI 2508VX	32
	R 2502	4

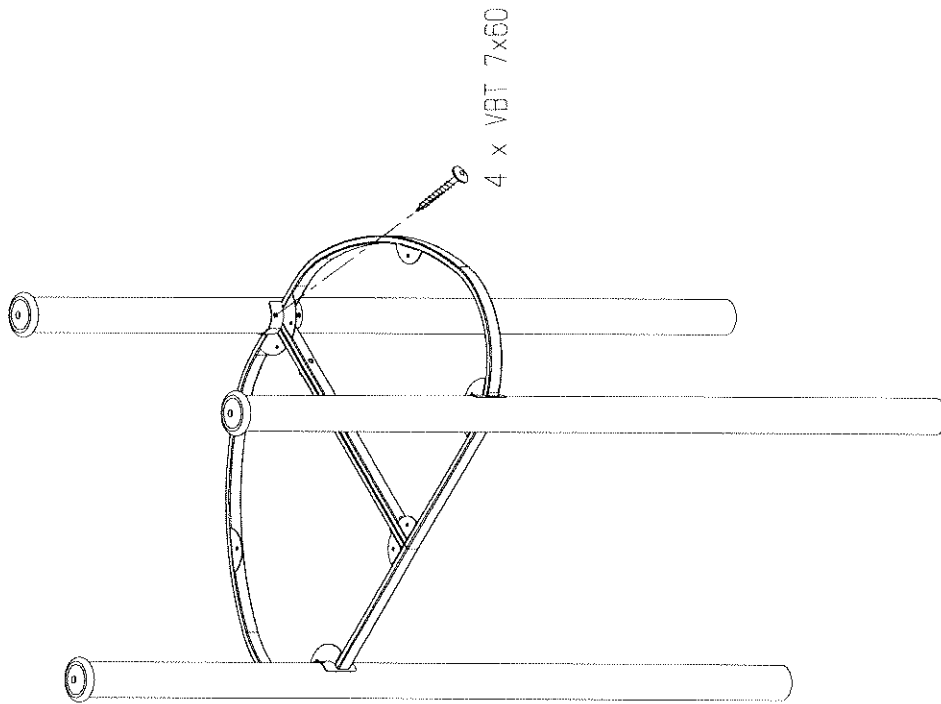





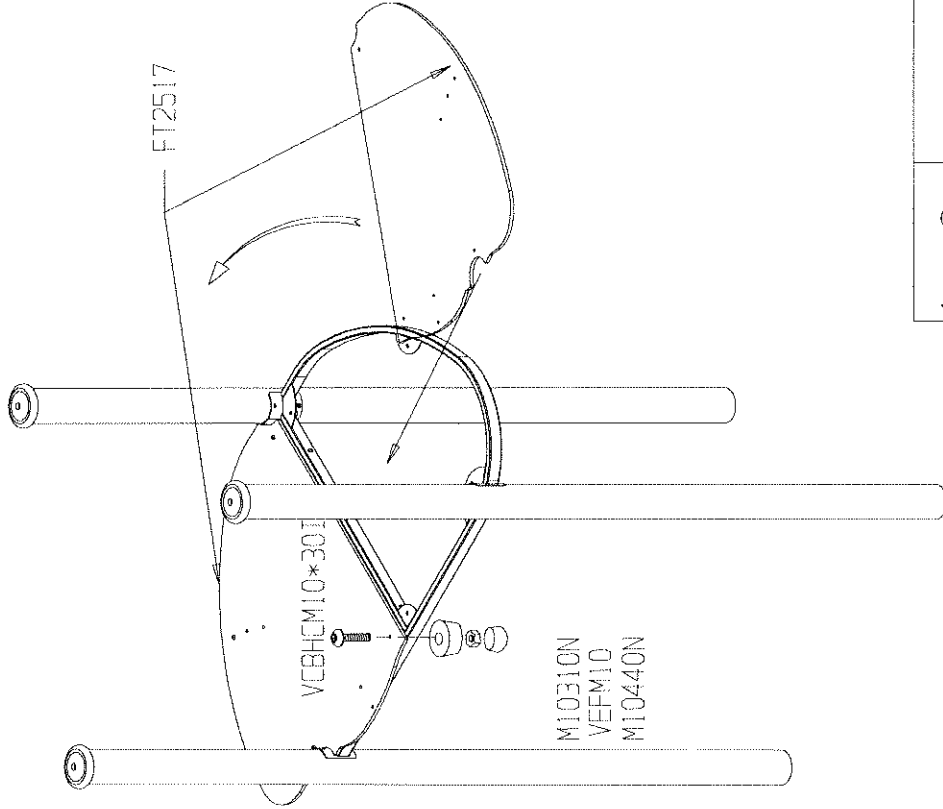
	M10310N	2
	M10440N	2
	VCBHCMI0*70I	2
	VEFM10	2

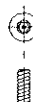


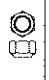


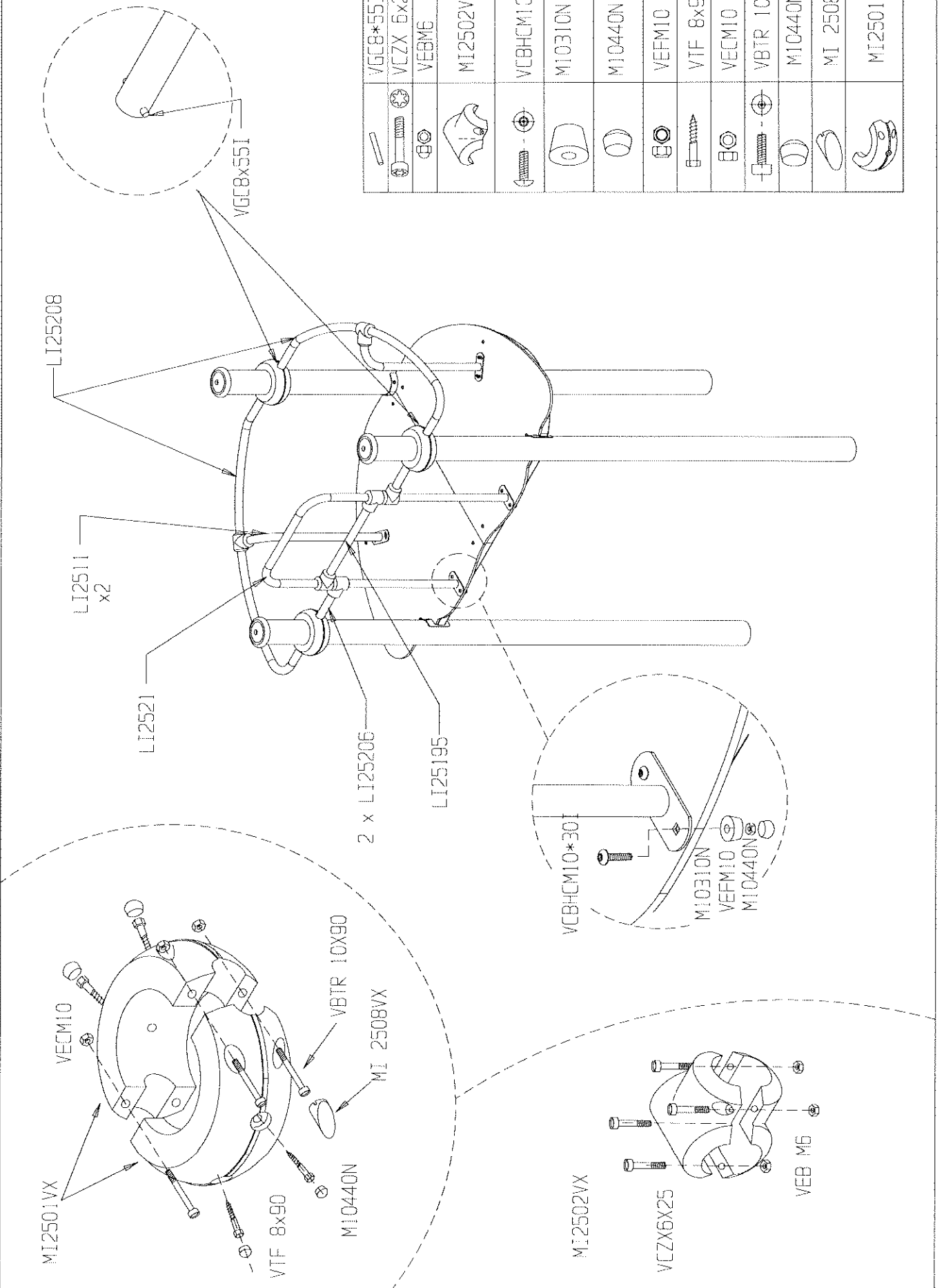
	VBT 7x60	11
	M1025VX	3
	M10440N	3
	VTRCC10x140	3
	VECM10	3
	VTF 10x60	6
	M10310 N	9
	M10440 N	9



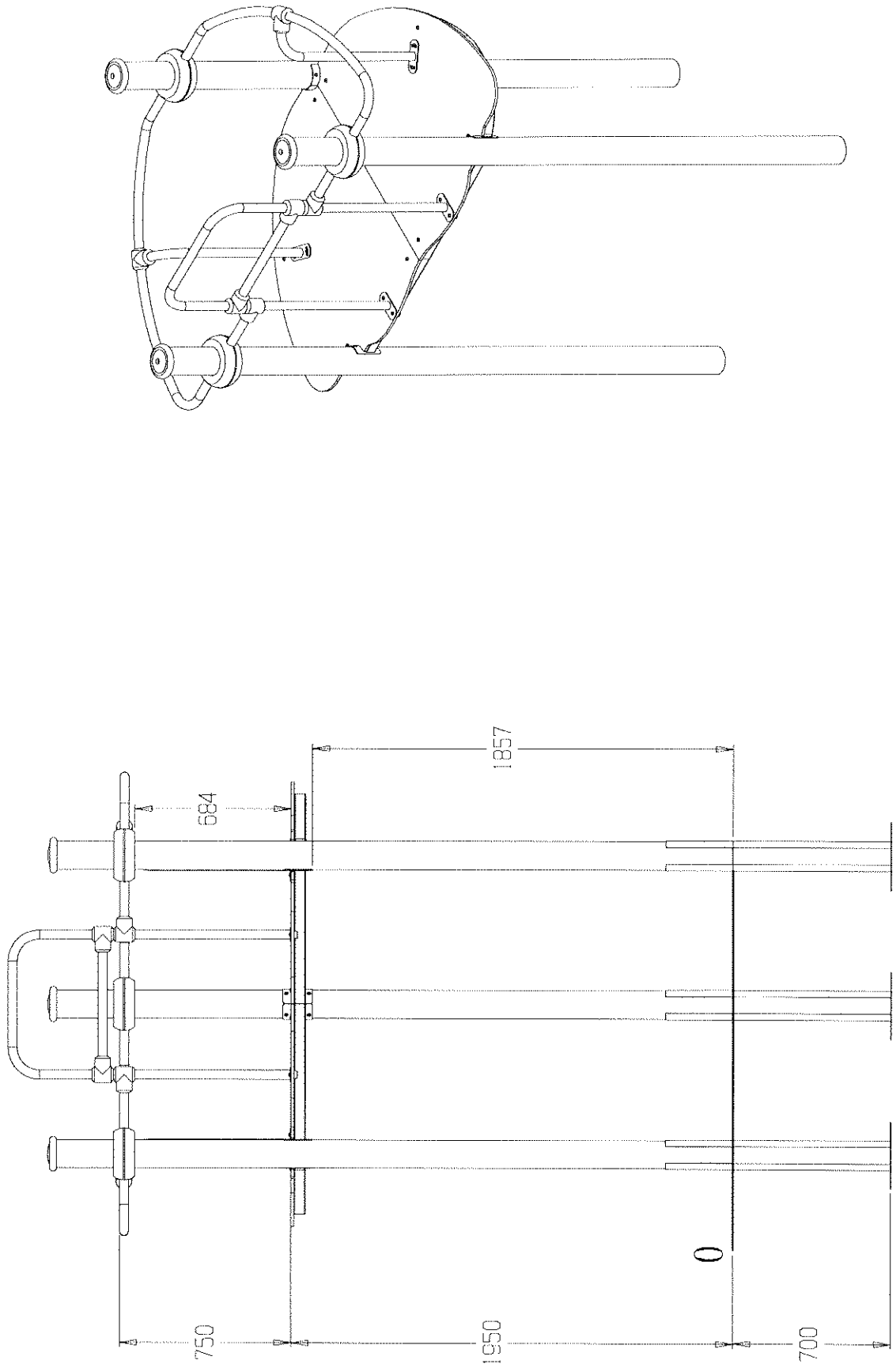
	VBT 7x60	4
---	----------	---

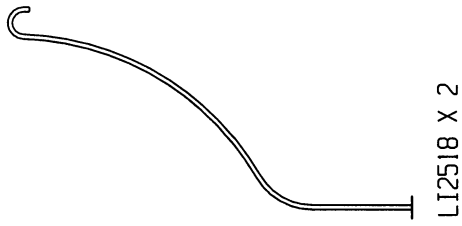
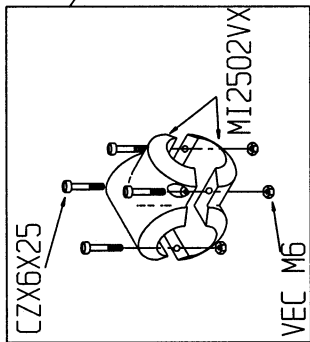


	VCBHC10*30I	8
	M10310N	8
	M10440N	8
	VEFM10	8

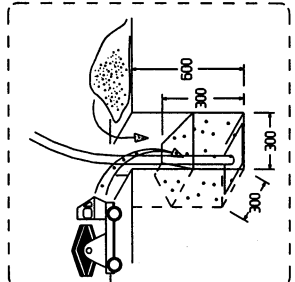
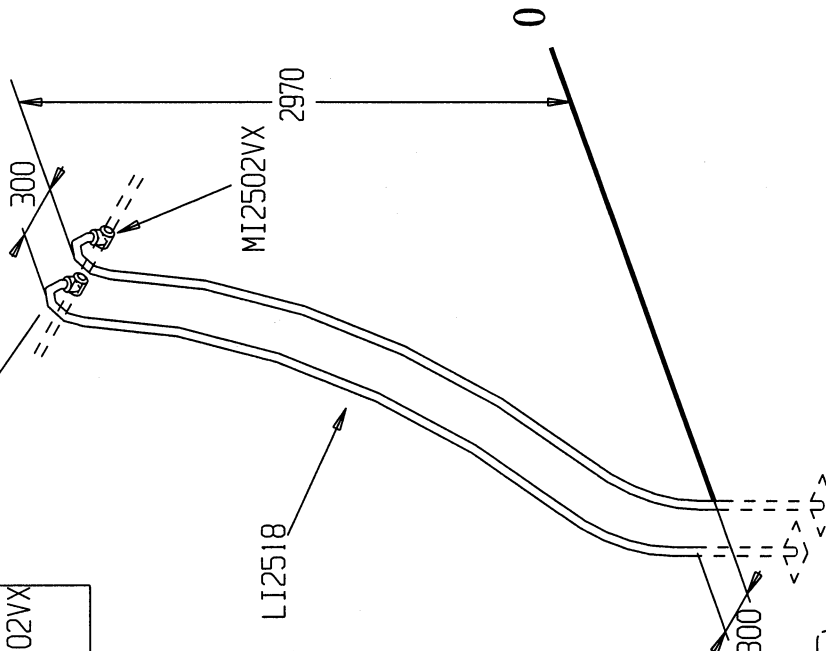


	VGC8*55I	4
	VCZX 6x25	24
	VEB M6	24
	MI2502VX	12
	VCBHC M10*30I	10
	M10310N	10
	M10440N	10
	VEFM10	10
	VTF 8x90	12
	VECM10	12
	VBTR 10x90	12
	M10440N	12
	MI 2508VX	24
	MI2501VX	6

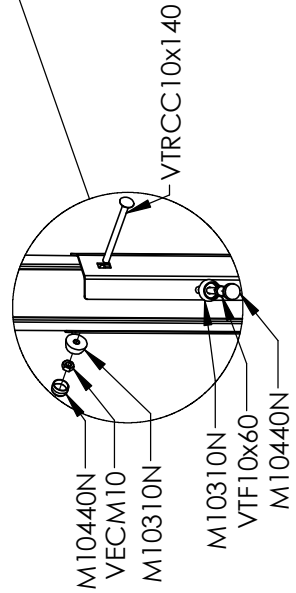
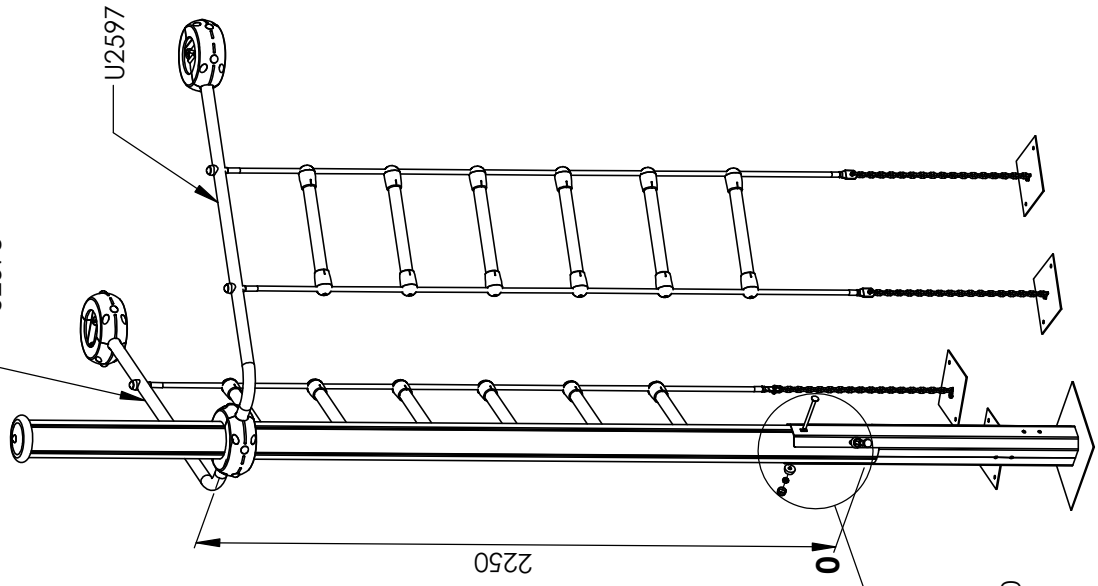
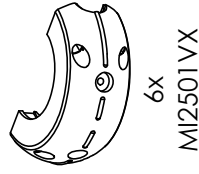
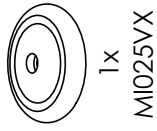
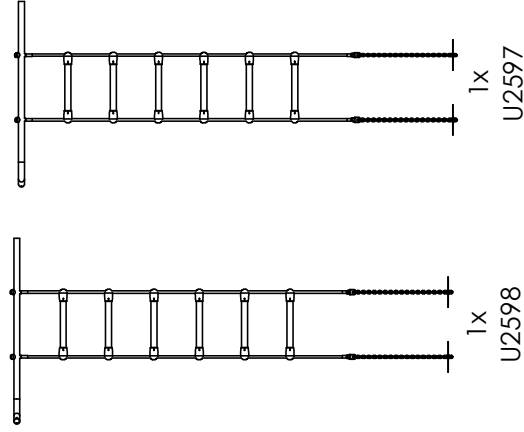
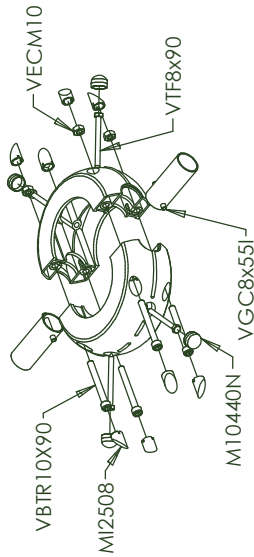




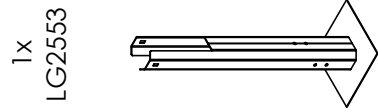
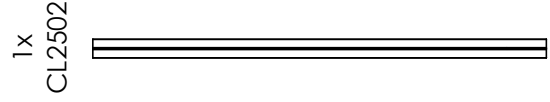
MI2502VX X 4

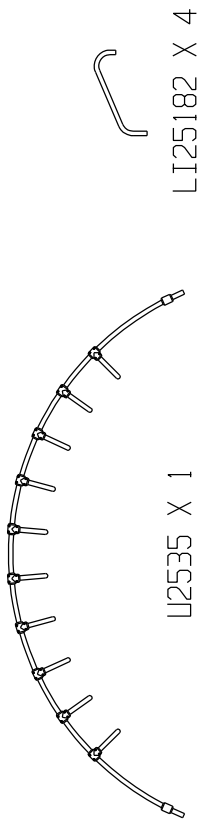
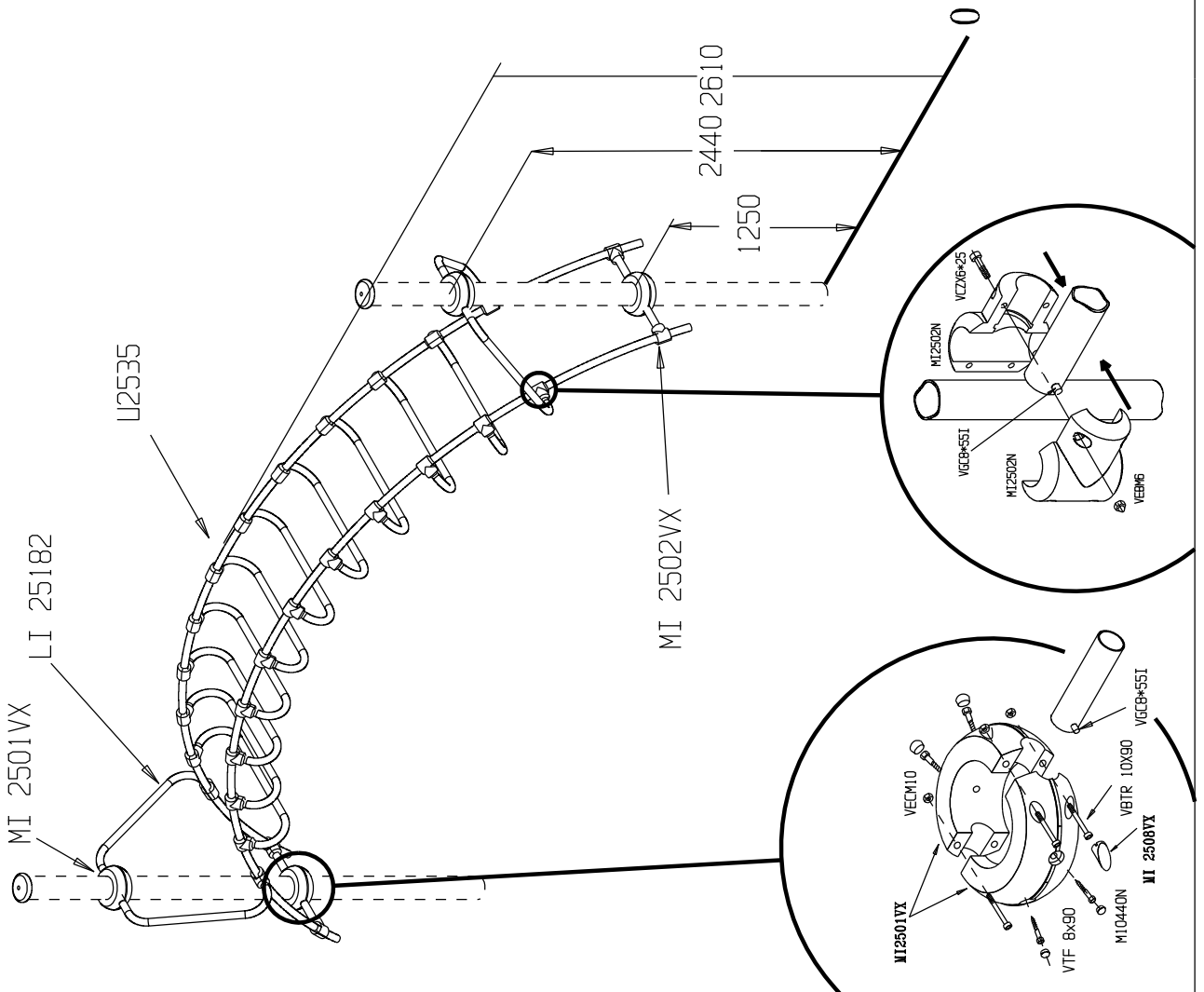


⊕	VEC M6	8
⊕	VCZX 6x25	8



CL2502	1
LG2553	1
M10310N	3
M10440N	16
MI025VX	1
MI2501VX	6
MI2508	24
R2502	2
U2597	1
U2598	1
VBT7x60	1
VBTR10X90	12
VECM10	13
VGC8x55I	2
VTF8x90	12
VTF10x60	2
VTRCC10x140	1





MI2501VX X 8

MI2502VX X 8



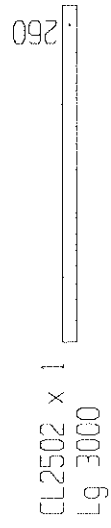
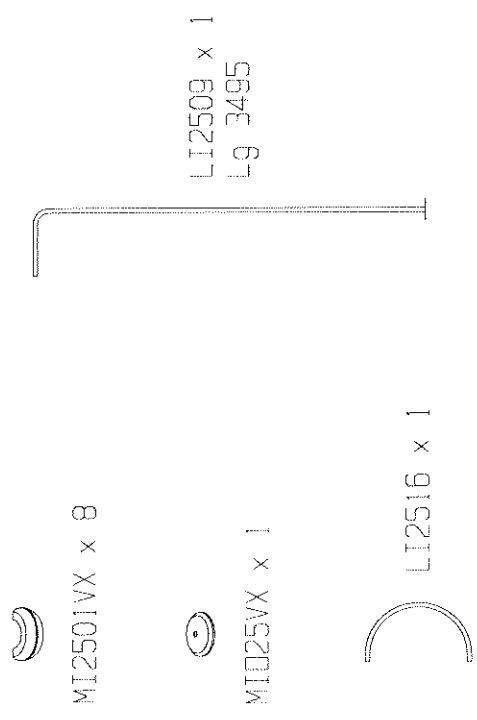
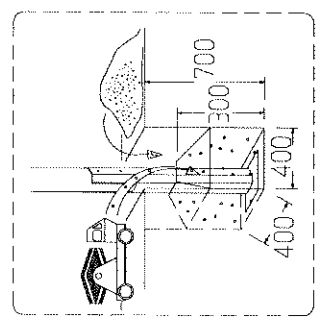
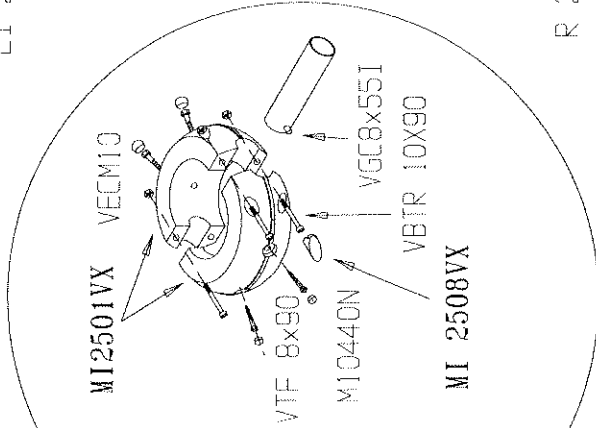
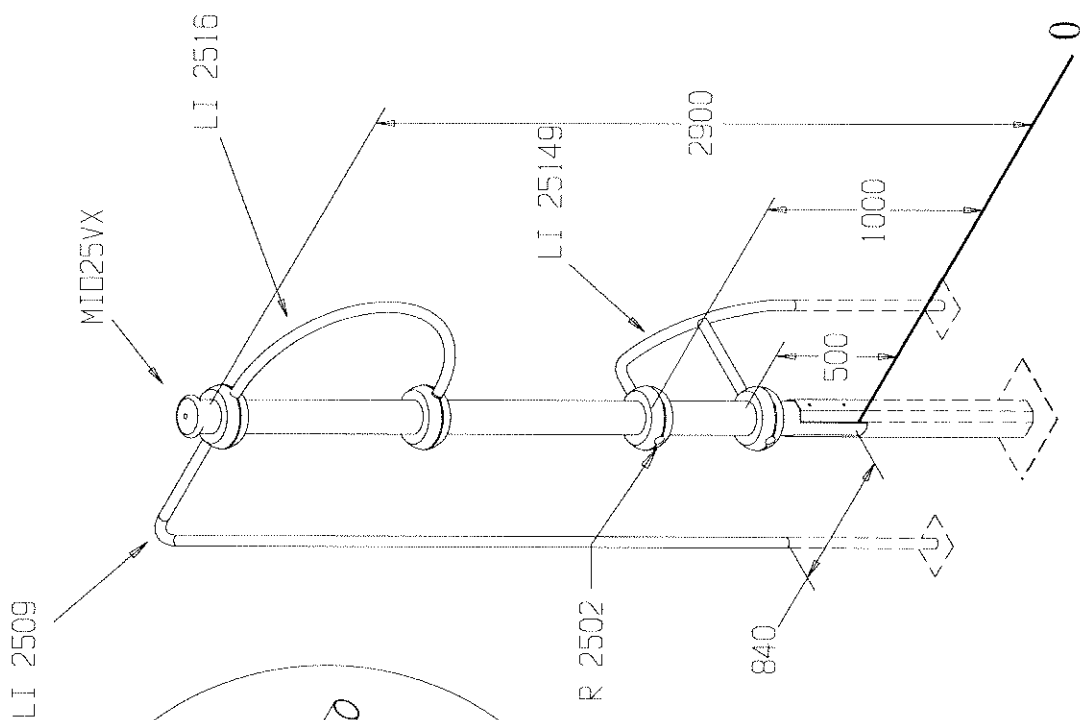
U2535 X 1

LI25182 X 4

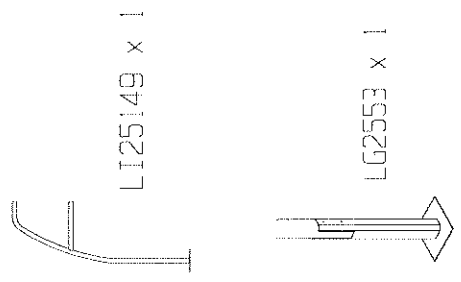
	VGC8*55I	12
	VTF 8x90	16
	VBTR 10x90	16
	VCZX 6x25	16
	M10440N	16
	VECM10	16
	VEBM6	16
	MI 2508VX	32

G2501

09/09/2012 *Productie*



	VGC8*55I	3
	VBT 7x60	1
	VTF 8x90	16
	VTF 10x60	2
	VTRCC10x140	1
	M10440N	20
	M10310N	3
	VECM10	17
	VBTR 10x90	16
	MI 2508VX	32
	R 2502	3

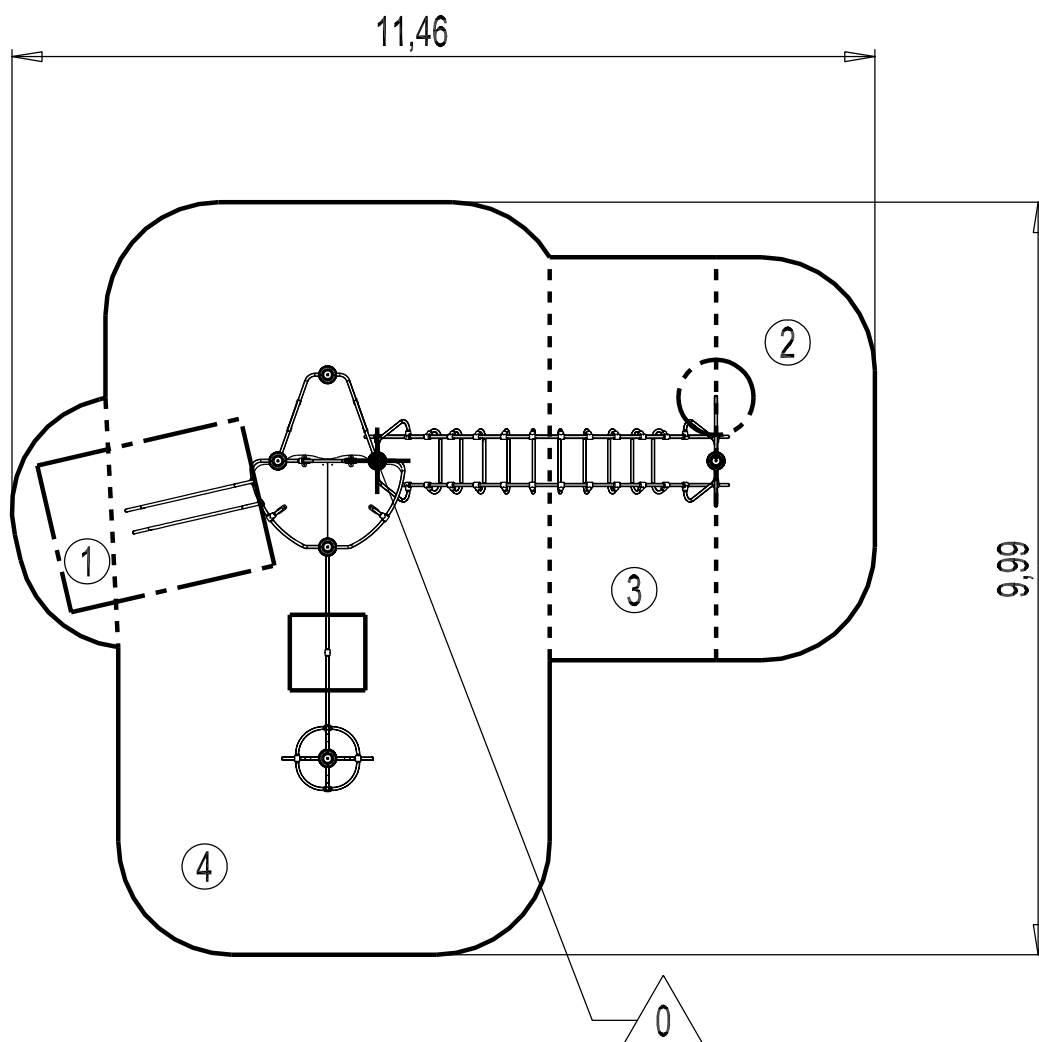


N°	m	M ²
①	0.6 m	3.5 m ²
②	2 m	10.5 m ²
③	2.4 m	12 m ²
④	2.5 m	56.5 m ²

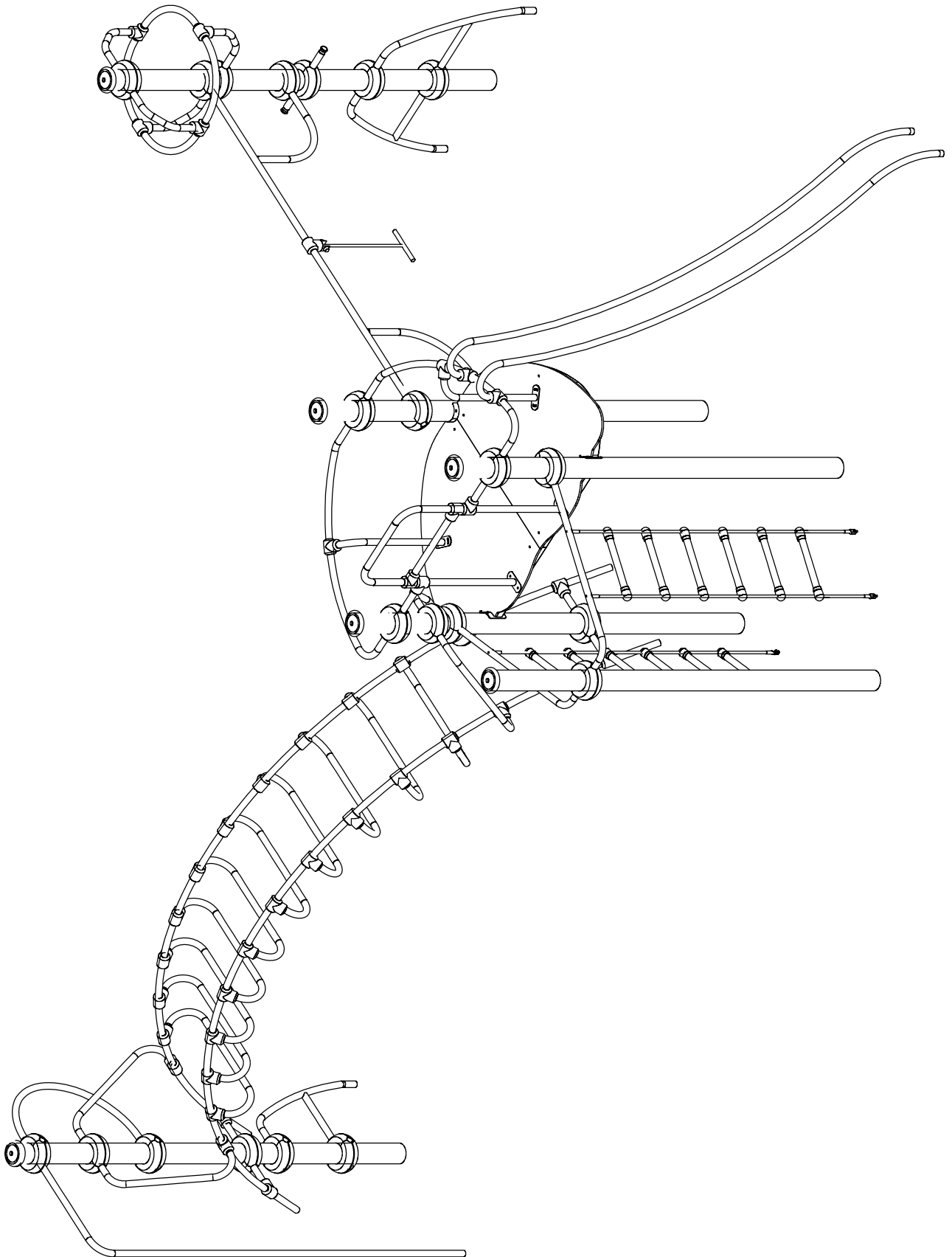
— Zone d'Impact
Impact Area
Area de Impacto
Fallraum

— Espace libre
Free Space
Espacio Libre
Freiraum

EN1176-1 : 2017

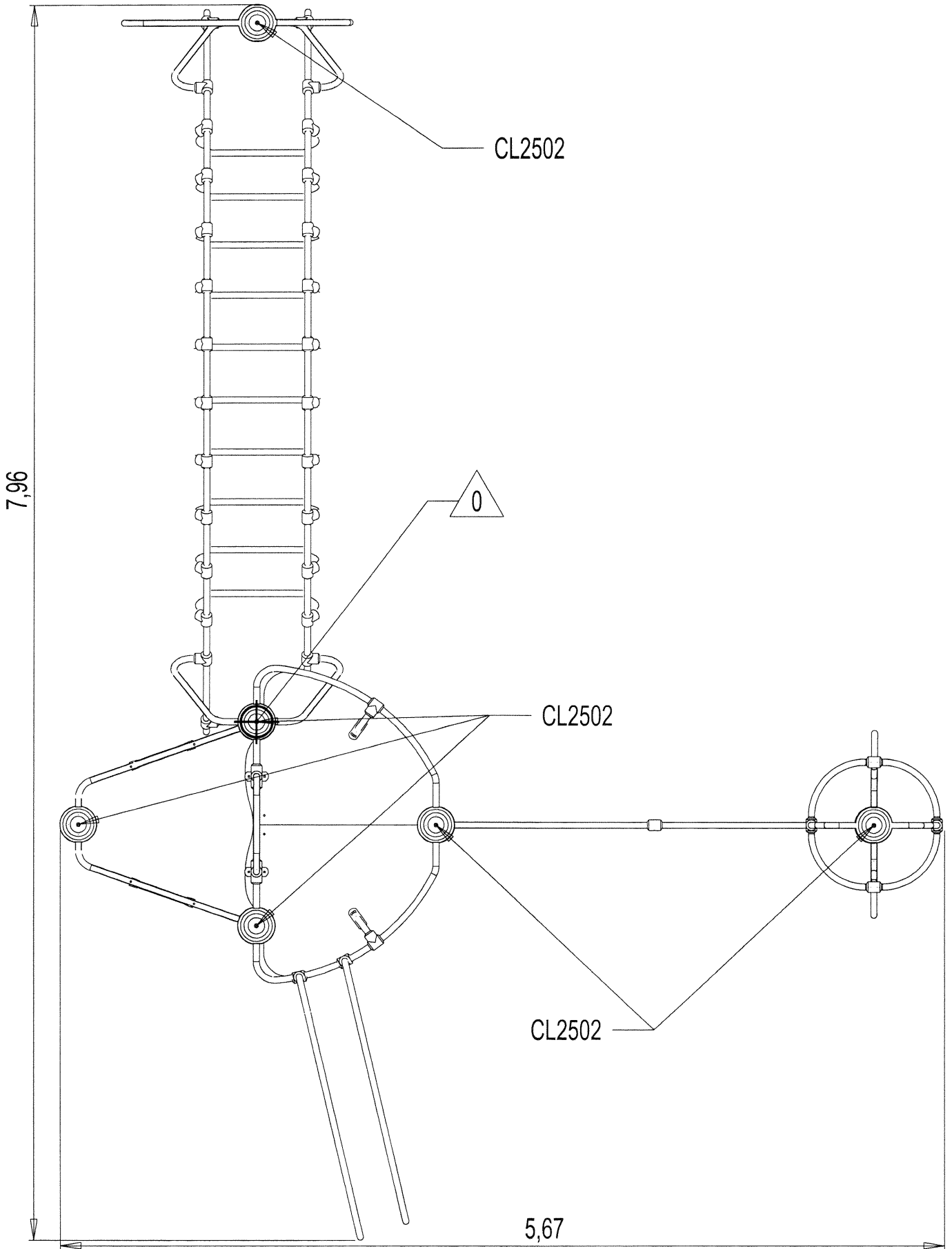


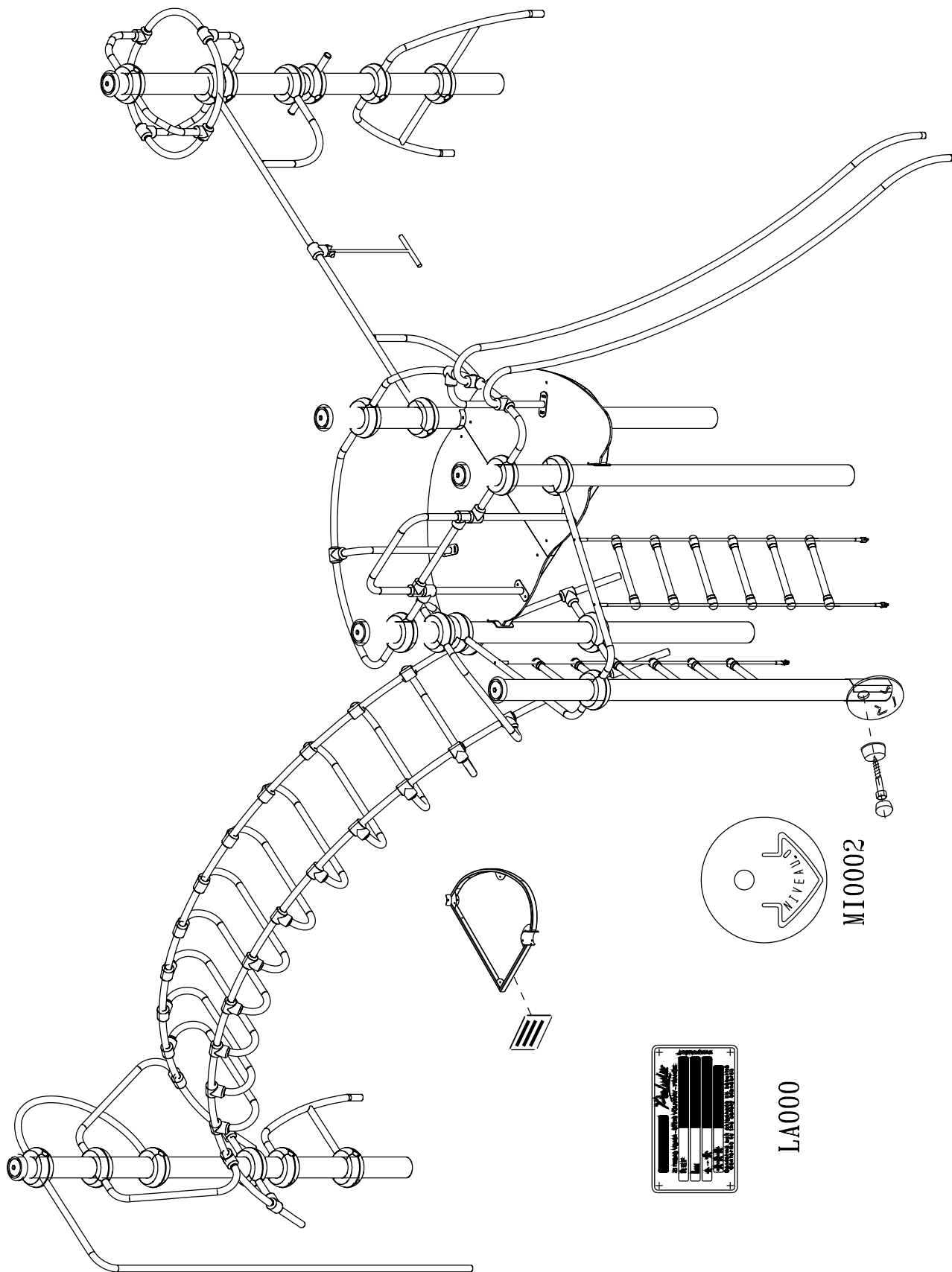
Point de Référence
Setting Out Point
Punto de referencia
Bezugspunkt



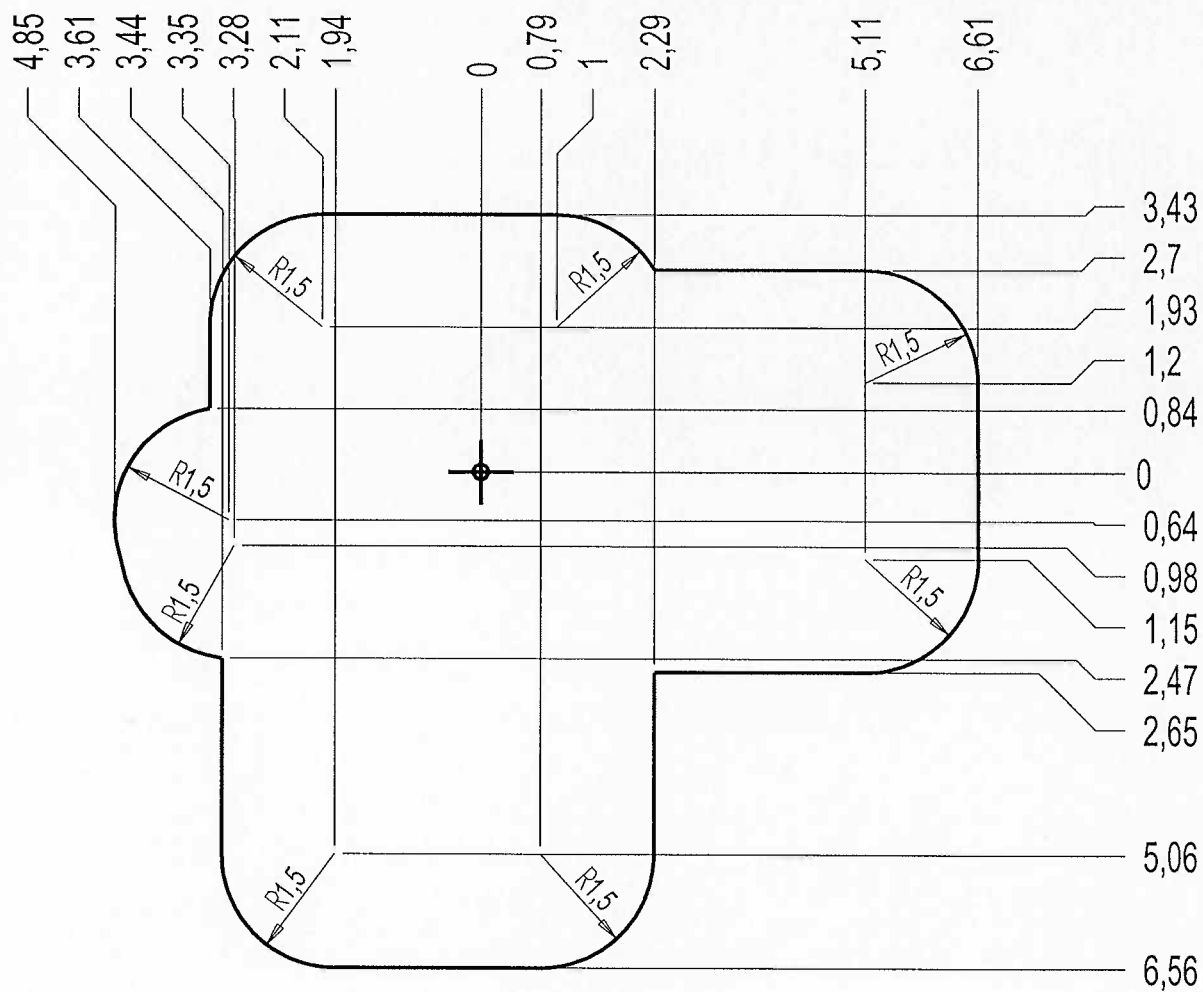
J2558

Proludic

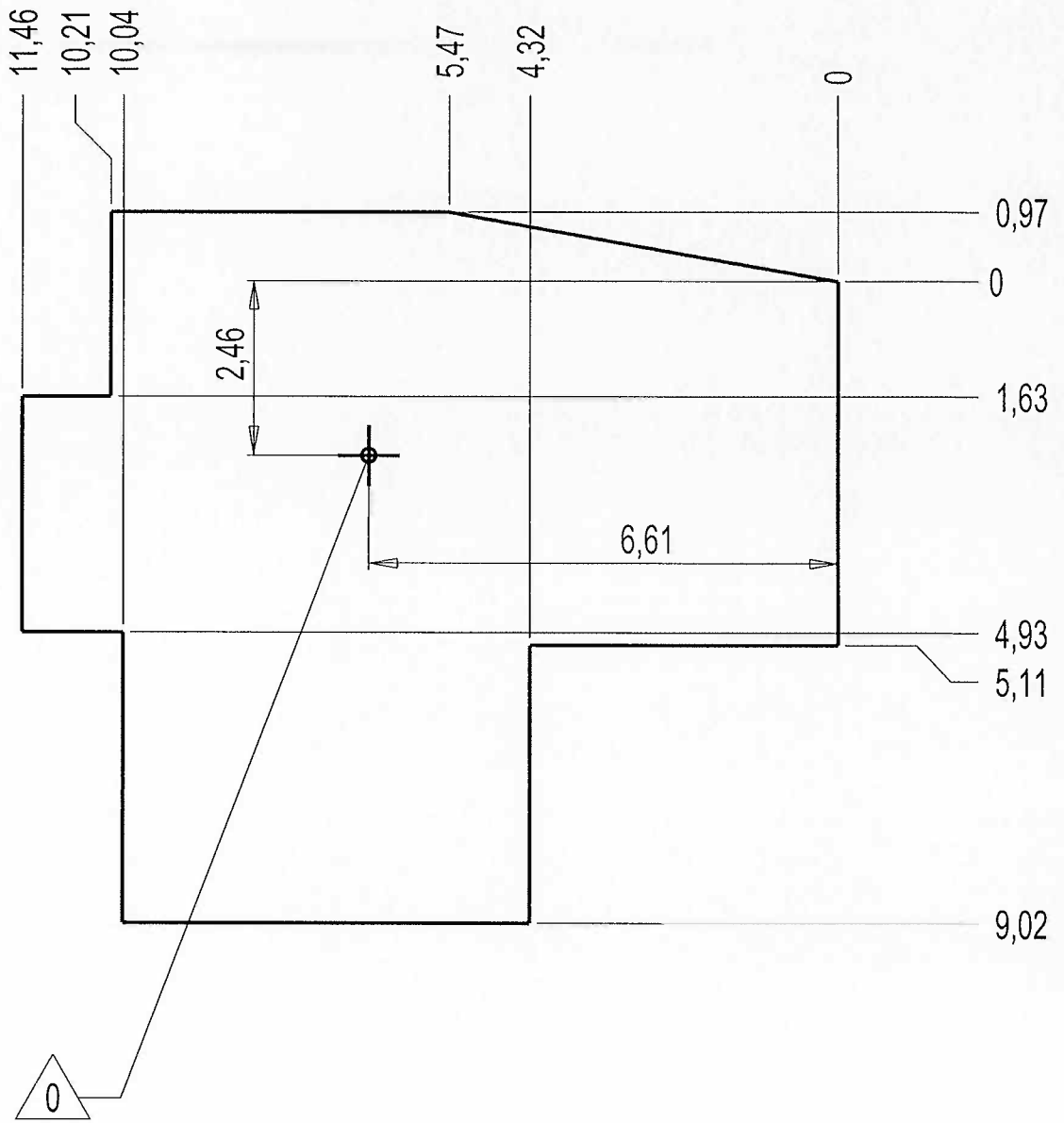




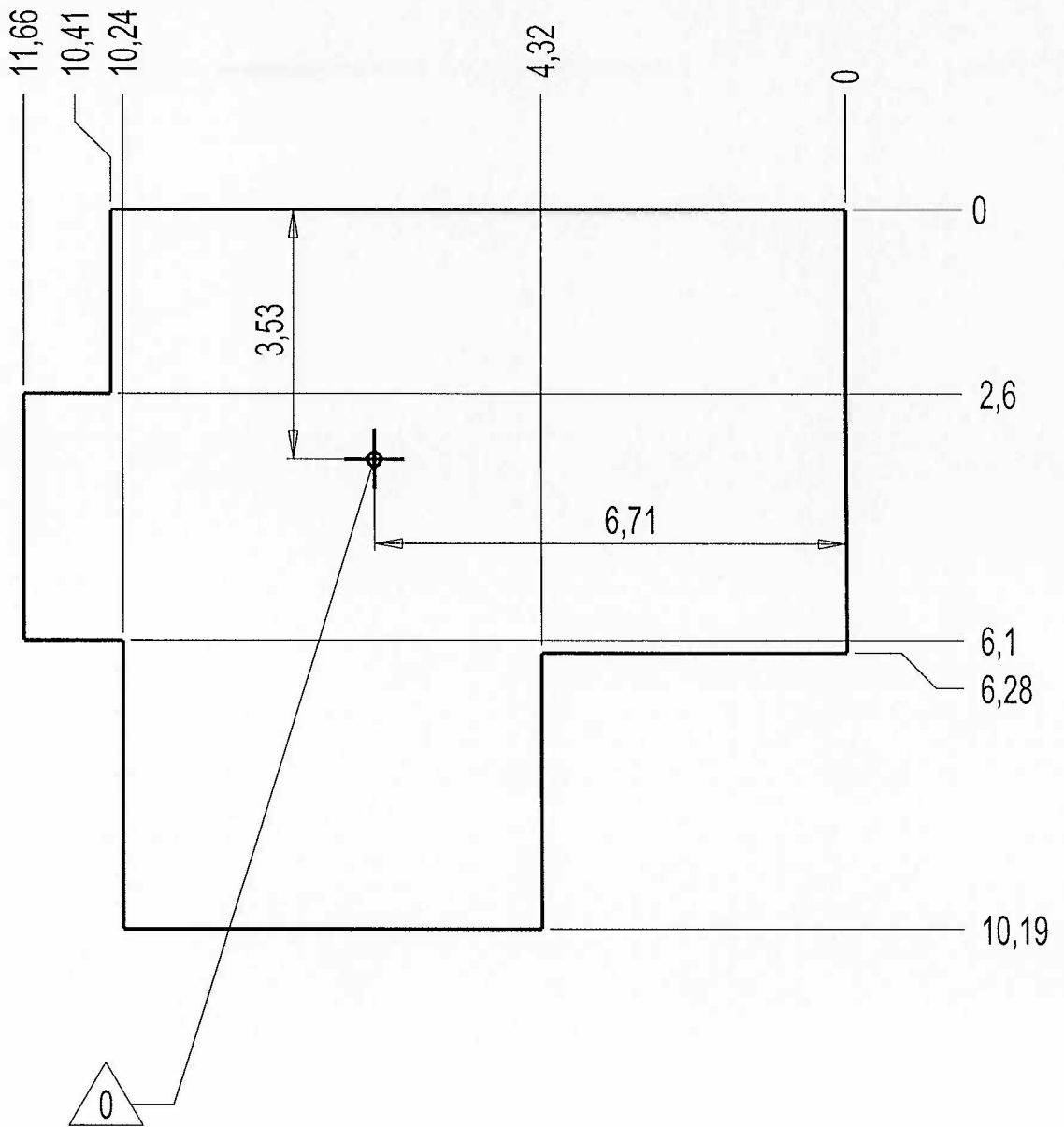
— Zone d'Impact 82.5 m²
 Impact Area
 Area de Impacto
 Fallraum



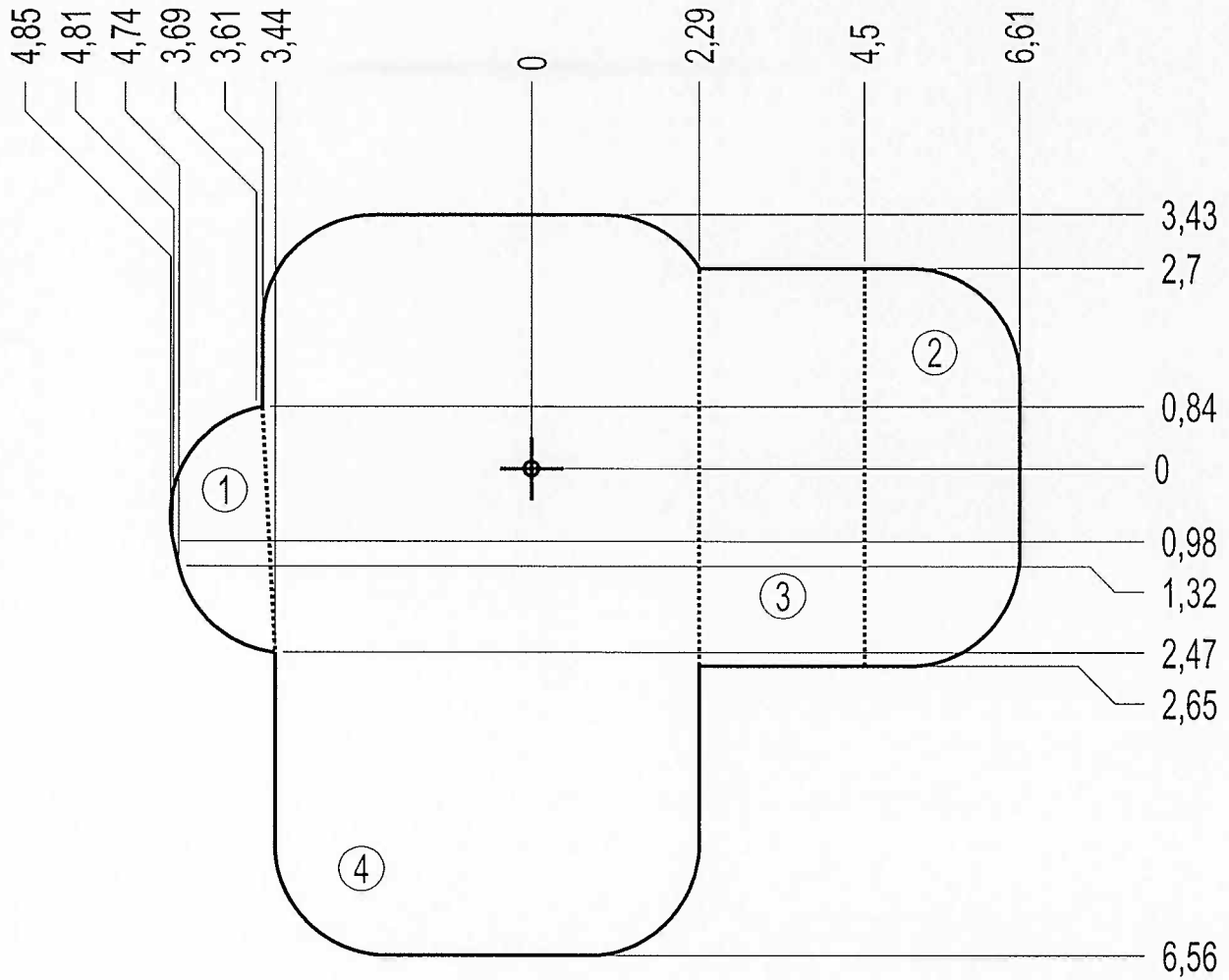
— Dalle béton 42 m
Concrete pad 86 m²
Solera de Hornigón
Beton Bodenplatte



— Sol fluent 44 m
Loose particle material 93 m²
Arenero
Loses Bodenmaterial



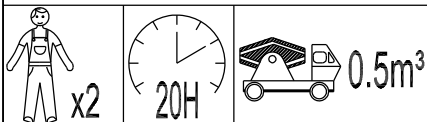
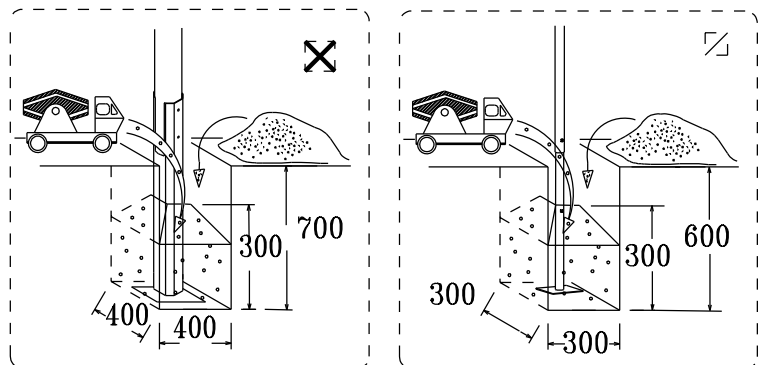
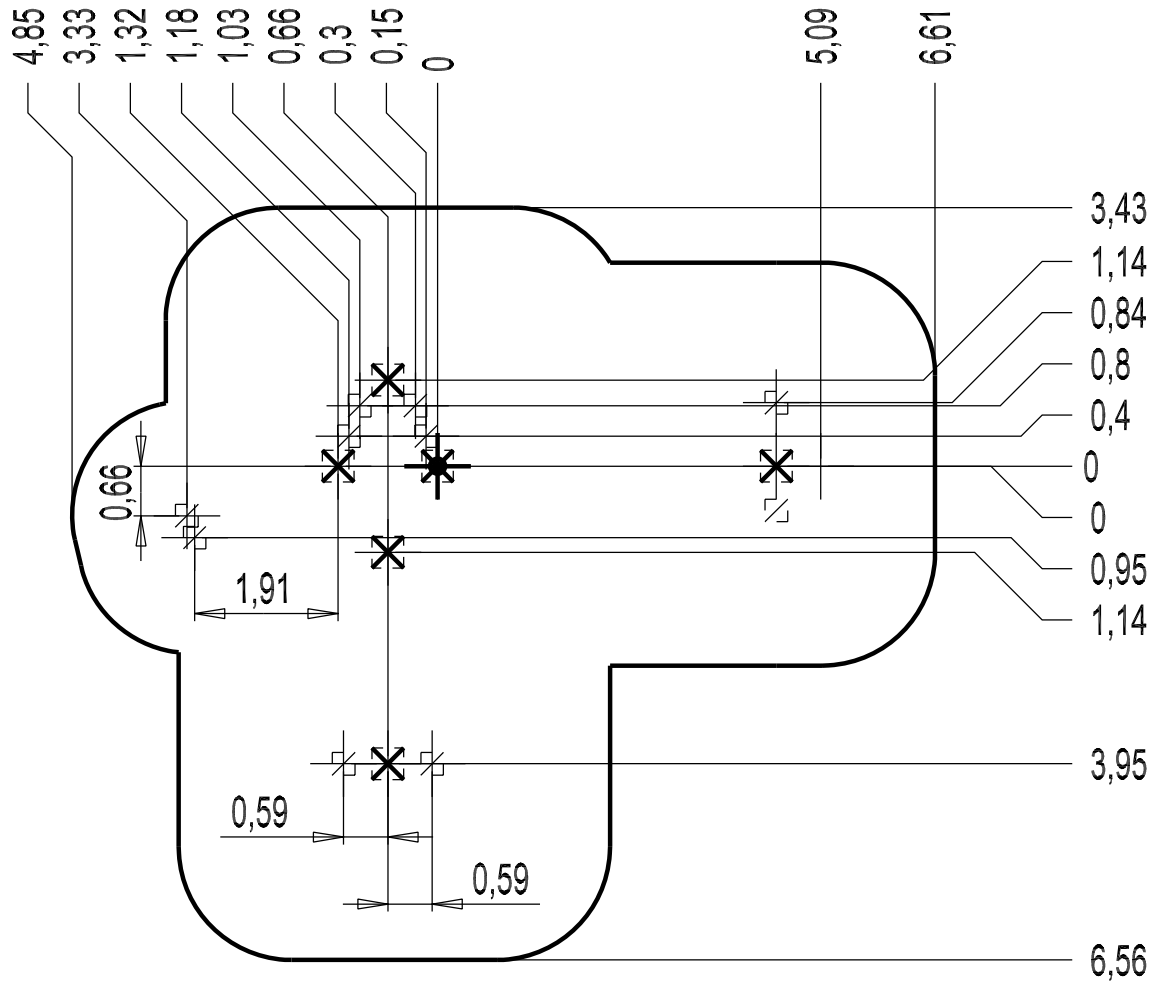
— Sol souple 82.5 m²
 Wetpour
 Caucho Continuo
 Synthetischer Fallschutz

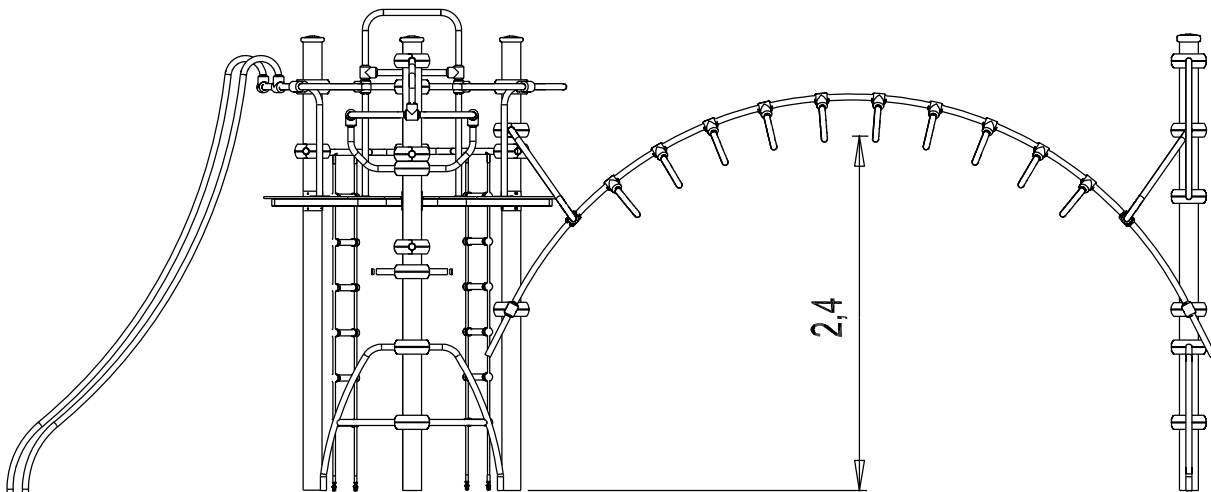
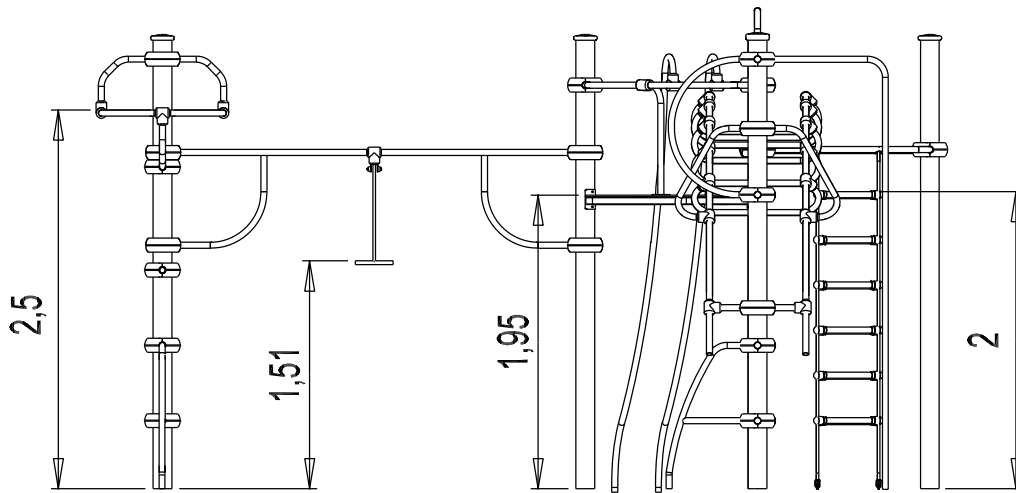


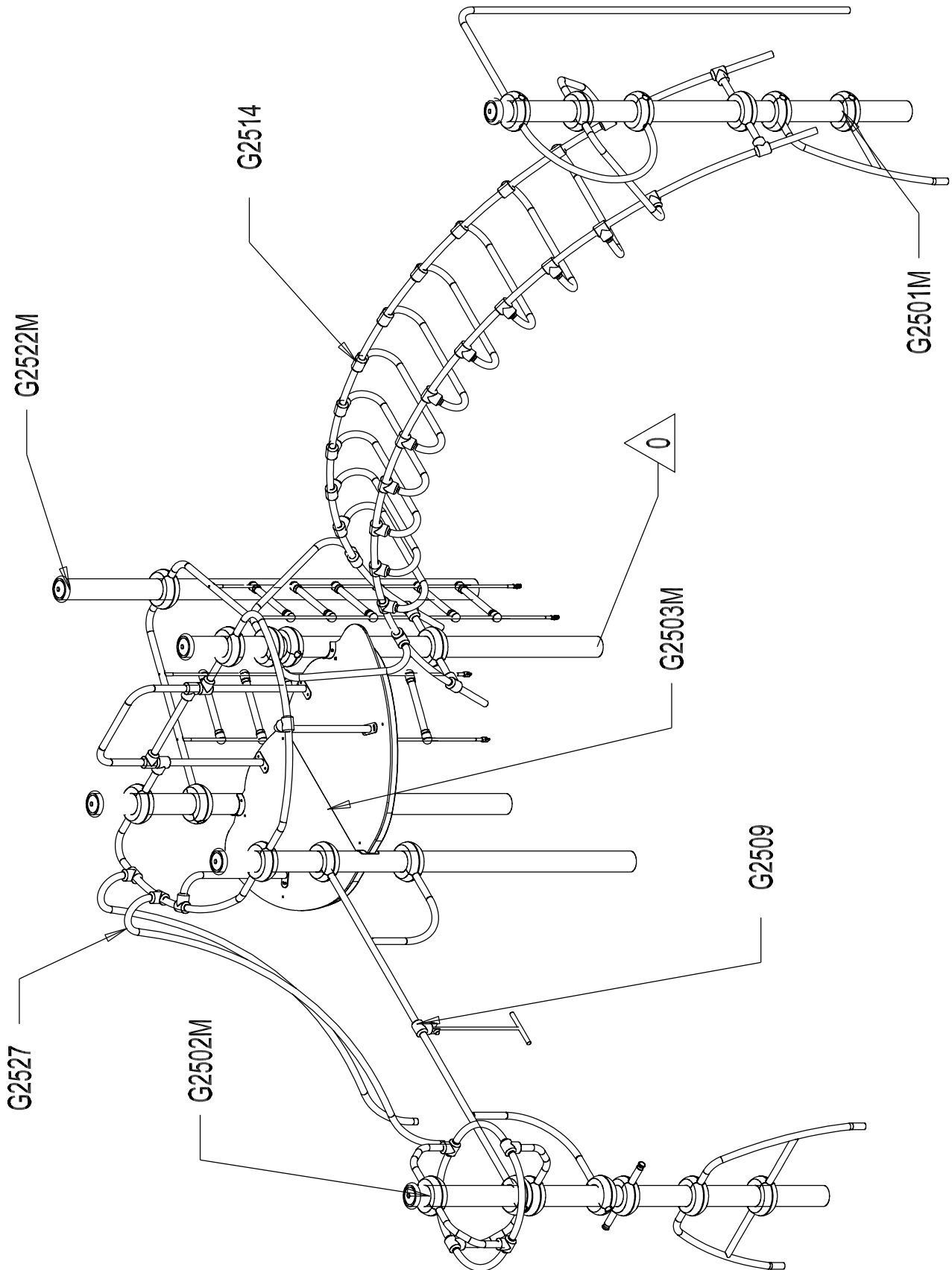
J2558M

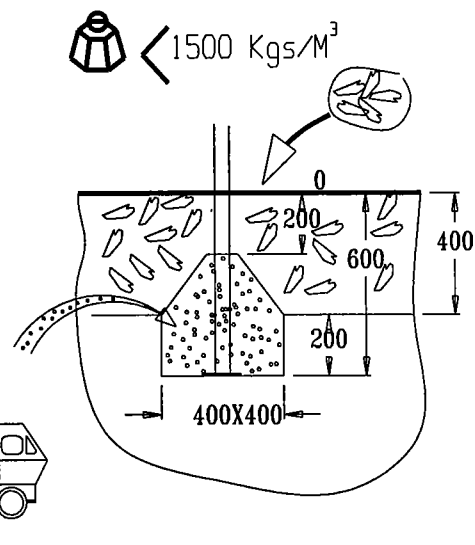
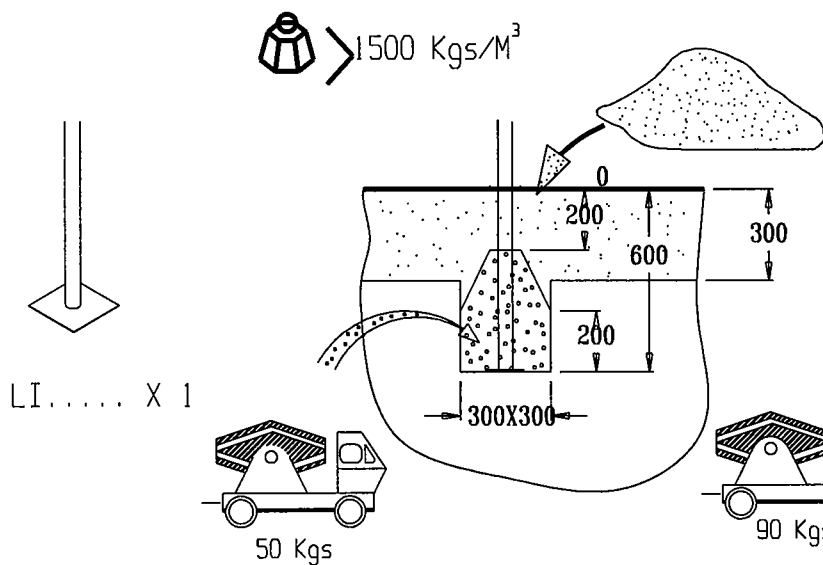
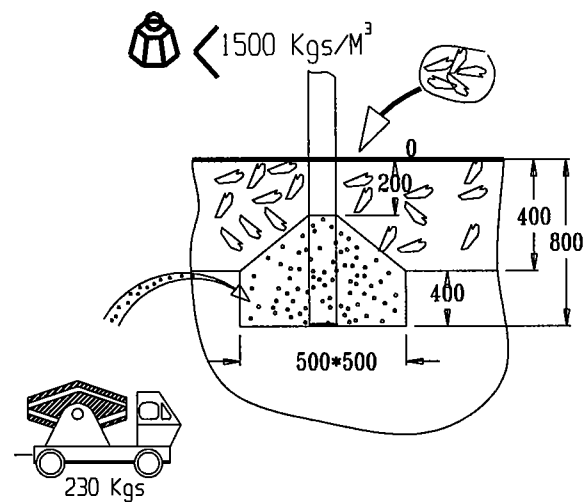
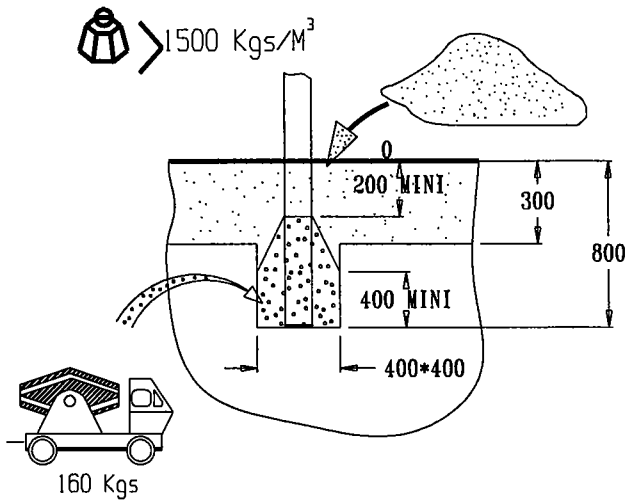
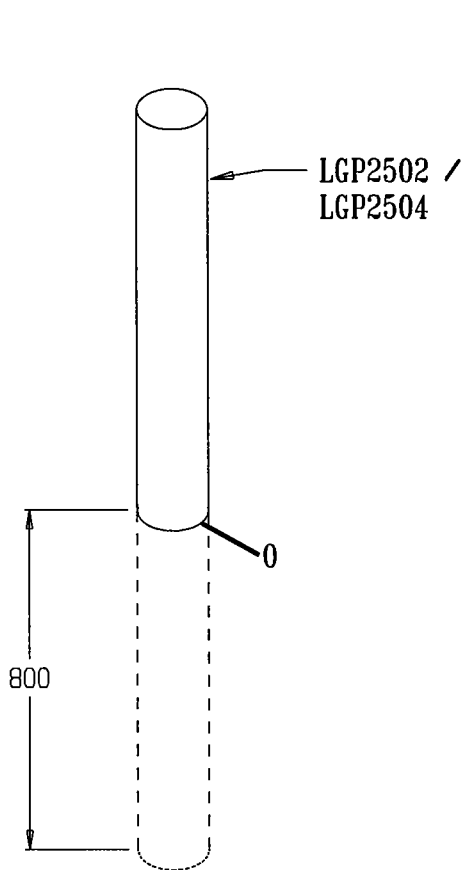
ProLudic

Implantation
 Footing plan
 Implantación
 Fundamentplan

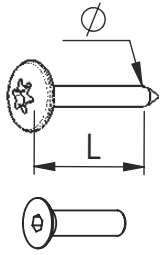






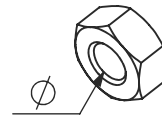


LI..... X 1

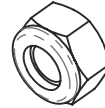


VBT 6 x 30
 \varnothing \uparrow L (mm)

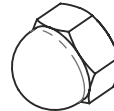
VFHC



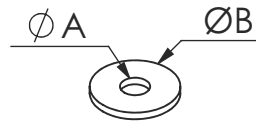
VEC M10
 \varnothing




VEF



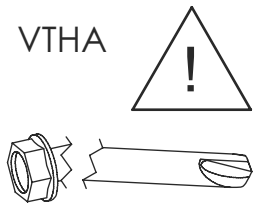
VEB



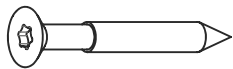
VR6x18
 \varnothing A \varnothing B



1000 - 1800 tr/min
 Vitesse de rotation
 Rotation speed



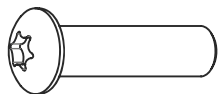
14 N.m
 Couple de rupture
 Torque of break



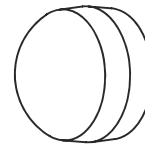
VWT



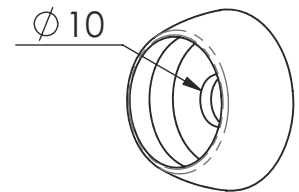
VGC



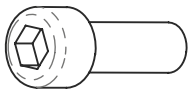
VCBHC



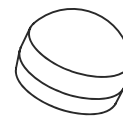
M10 440N



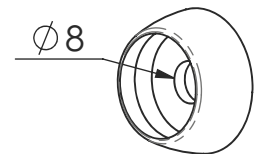
M10 310 N



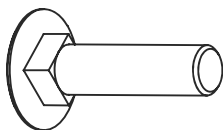
VBTR



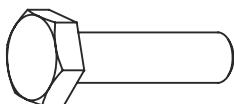
M8440N



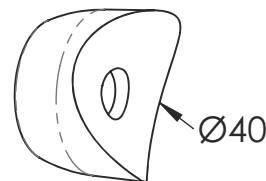
M8310N



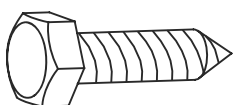
VTRCC



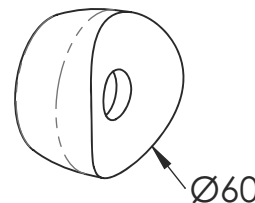
VTH



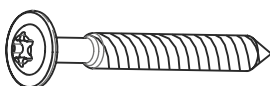
MI2503



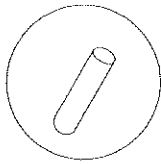
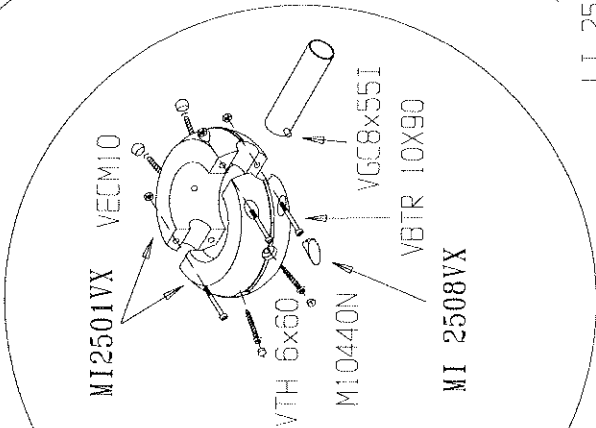
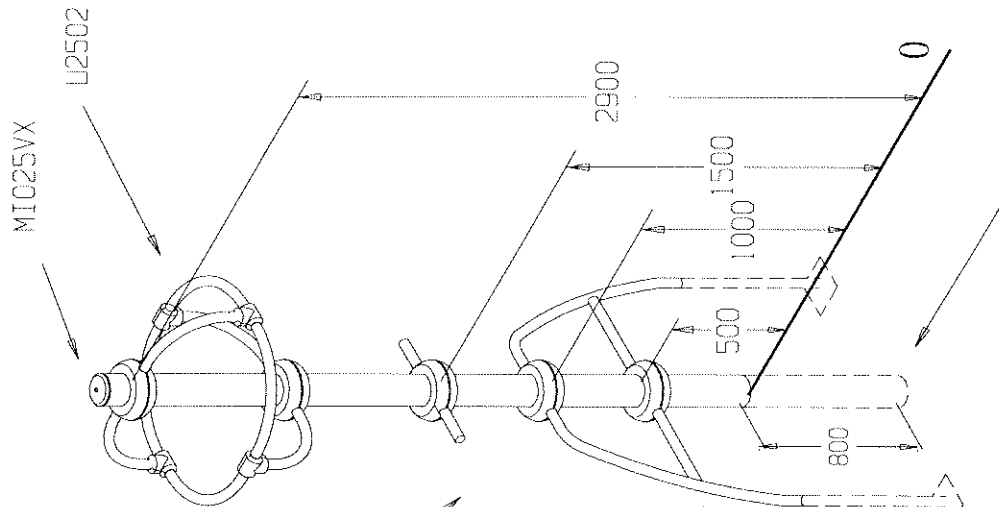
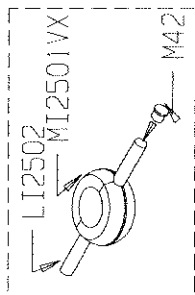
VTF



MI2701



VBT



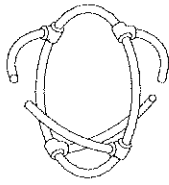
LI2502 x 2
Lg 167



MI025VX x 1



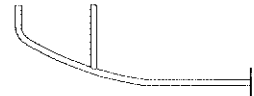
MI2501VX x 10



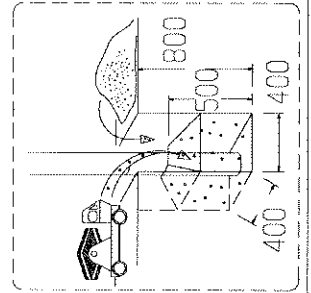
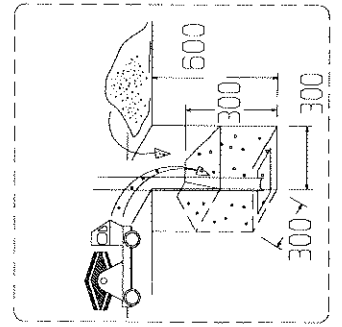
LI2502 x 1



	VGC8*55I	6
	VFHC6x40	1
	VTH6*60 AUTO 20	
	M10440	21
	VECM10	20
	VBTR 10x90	20
	MI 2508VX	40
	M42	2



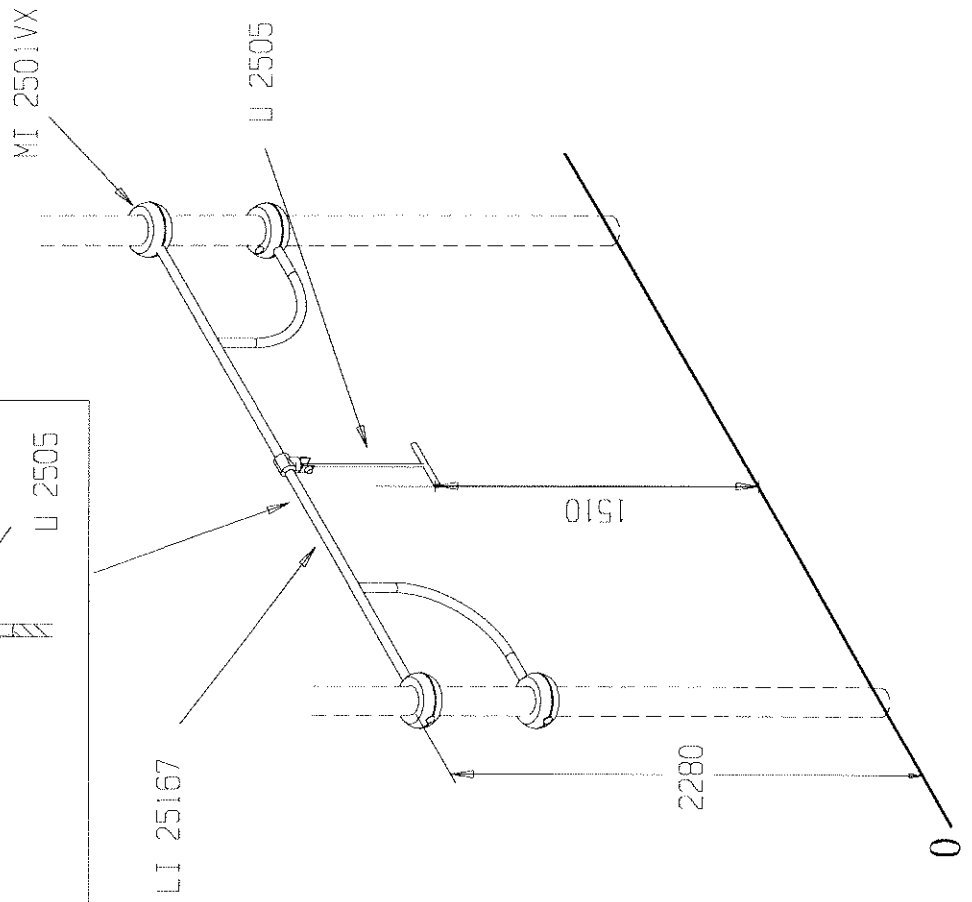
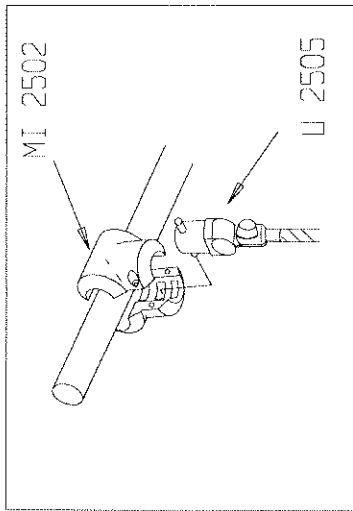
LI25149 x 2




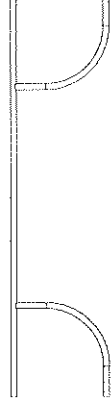










G 2509 M

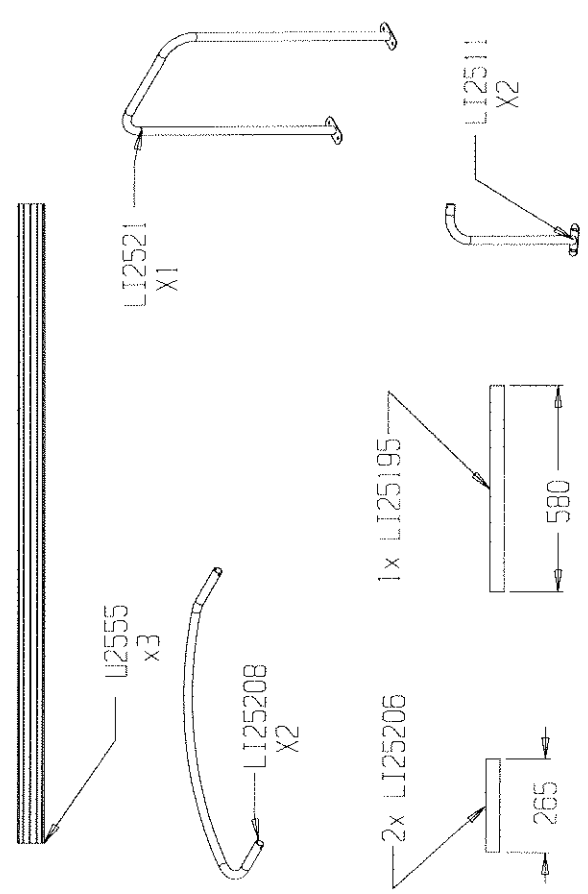
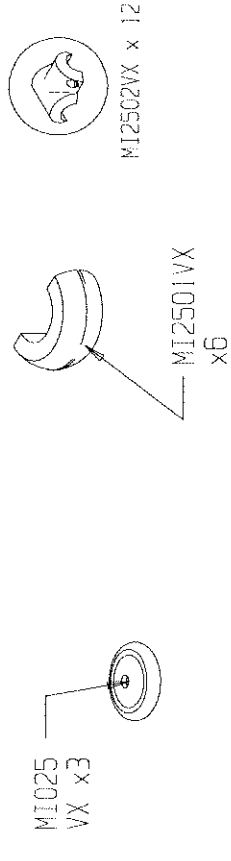
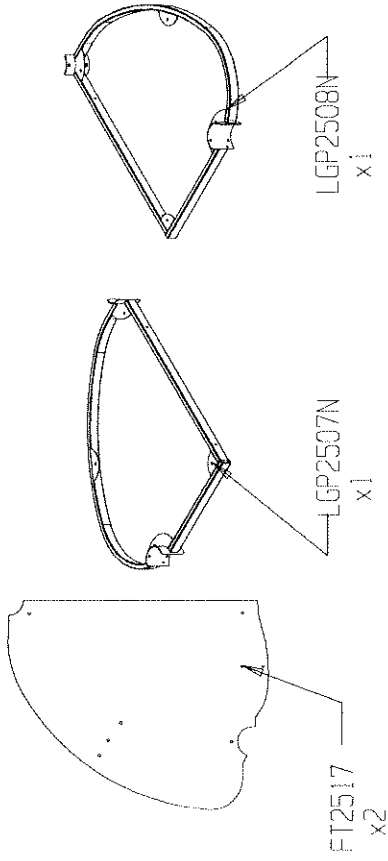
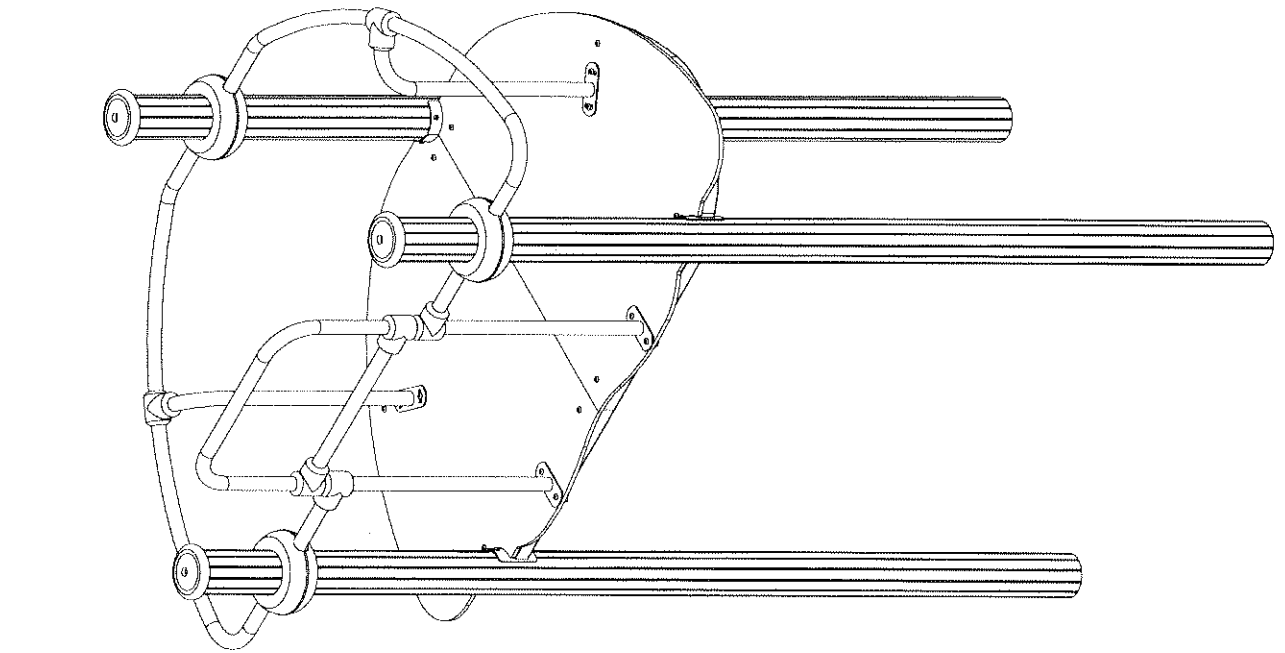
09-09-2012

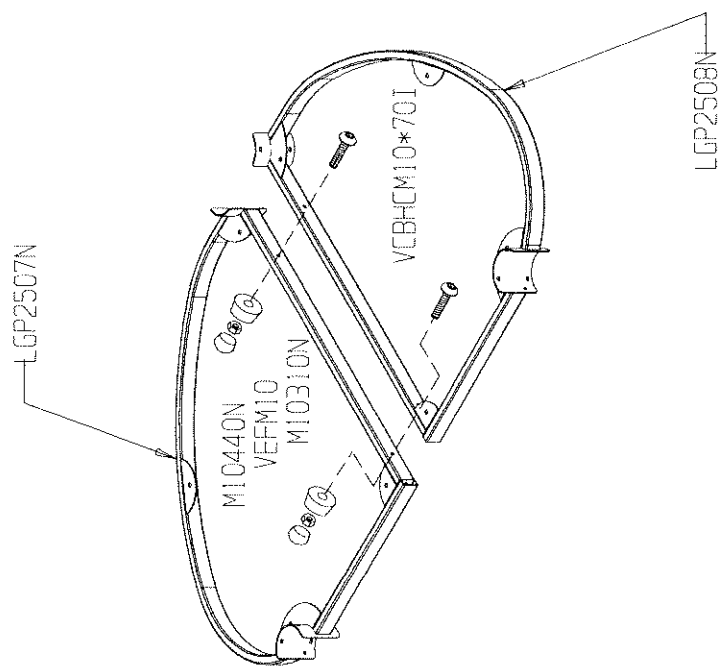
Proledic



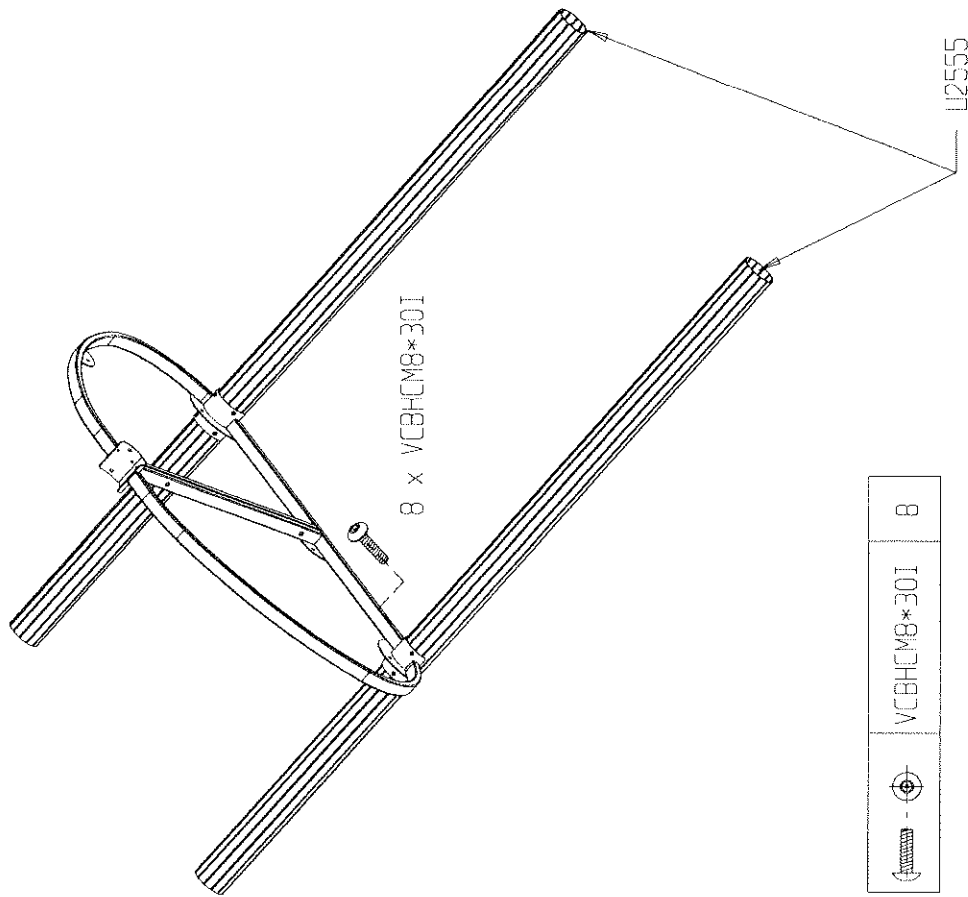
-  U 2505 x 1
-  MI2502VX x 2
-  MI2501VX x 8
-  LI 25167 x 1
Lg 2675

	VTH 6x60	16
	VBTR 10x90	16
	VCZX 6x25	4
	VEBM5	4
	M10440N	16
	VECM10	16
	MI 2508VX	32
	R 2502	4





	M10310N	2
	M10440N	2
	VCBHC10*70I	2
	VEFM10	2

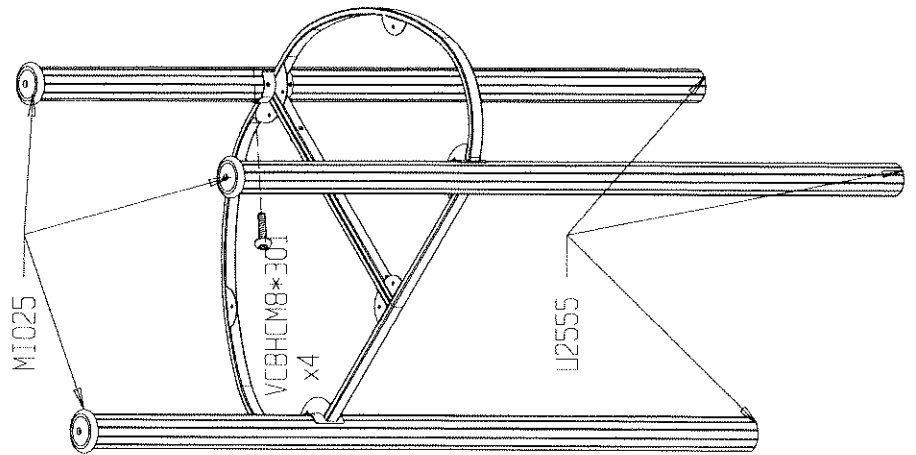
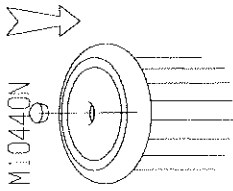
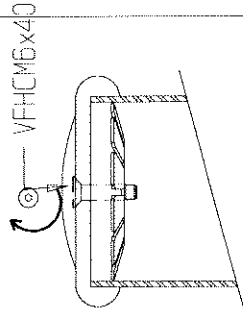
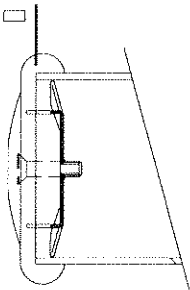
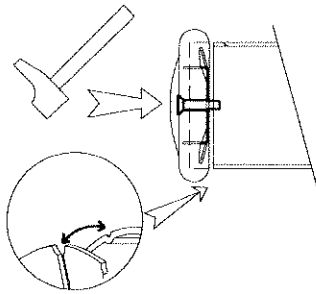
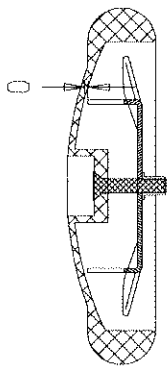
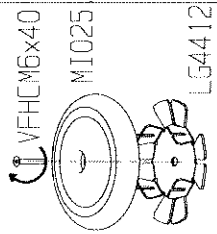


	VCBHC10*30I	8
--	-------------	---

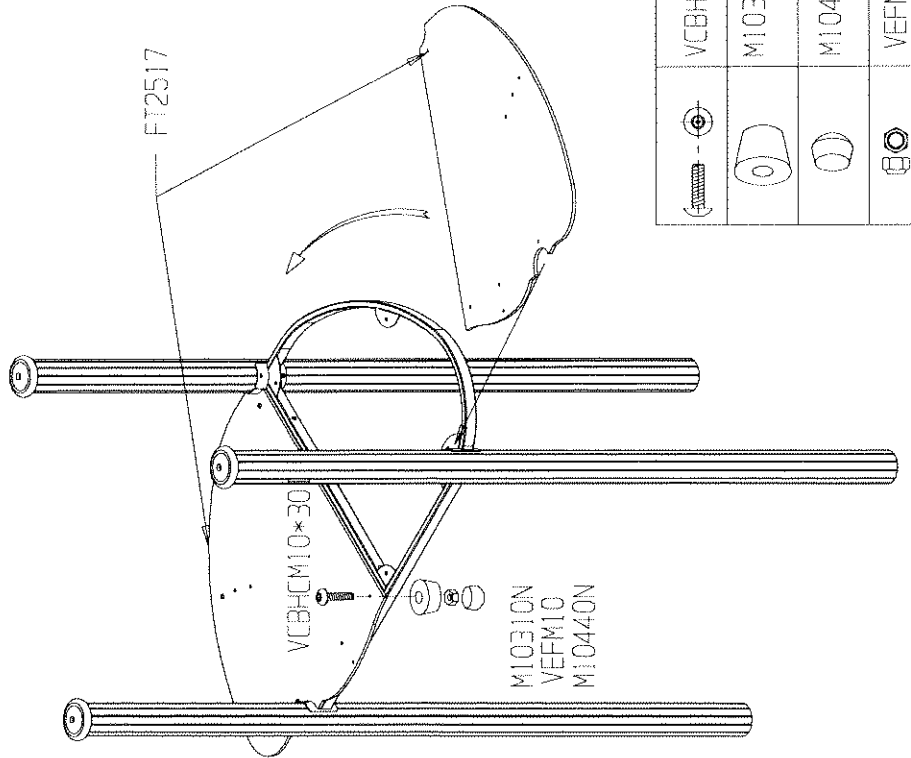
G2503M

3/5

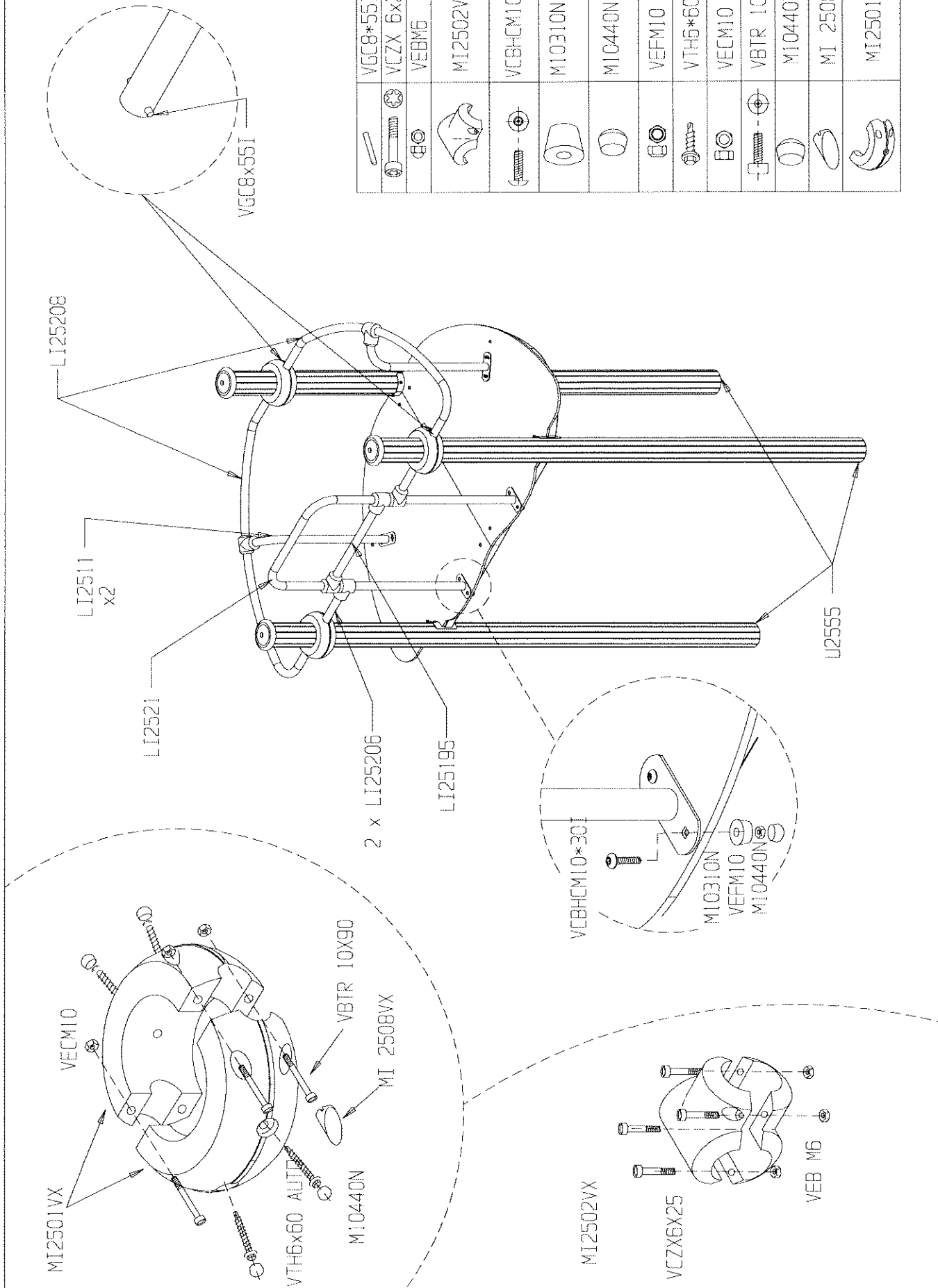
Proladic



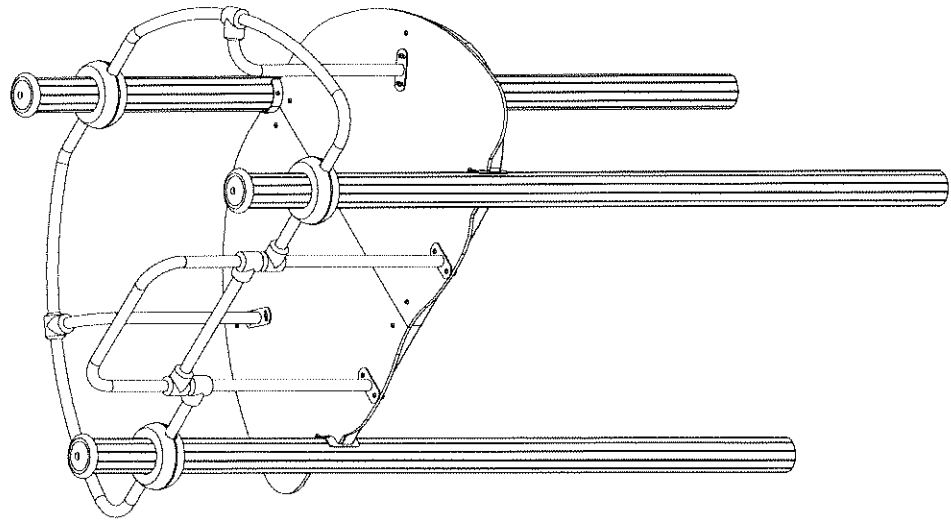
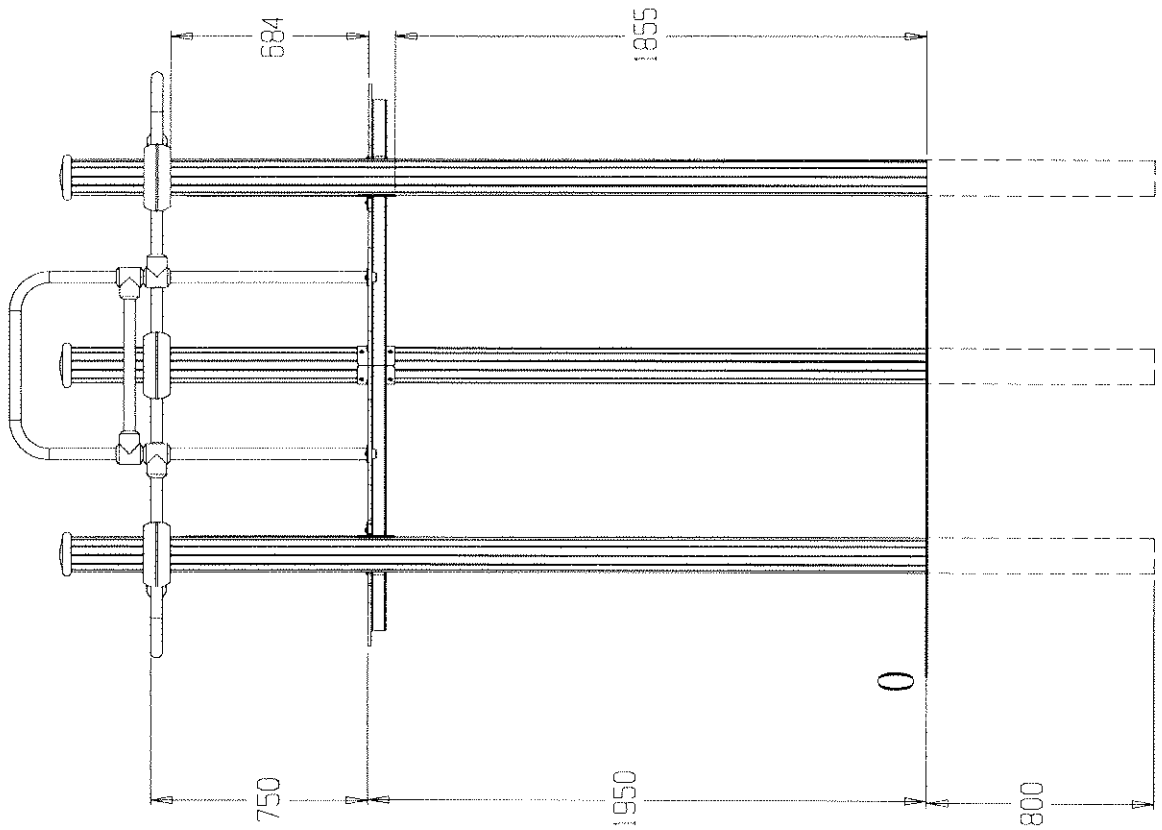
	VFHCM6x40	3
	MI 025VX	3
	MI0440N	3
	LG4412	3
	VCBHCM8*30I	4

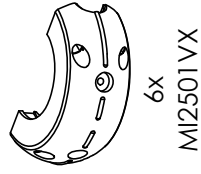
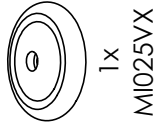
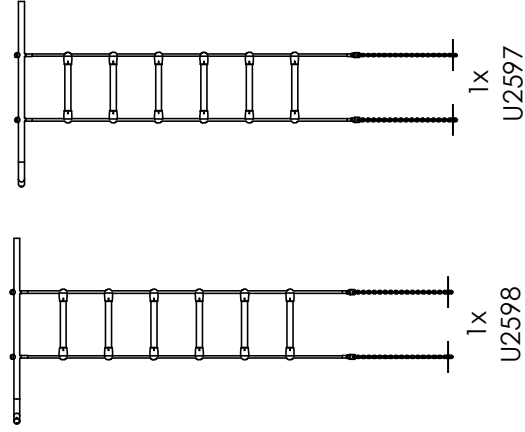
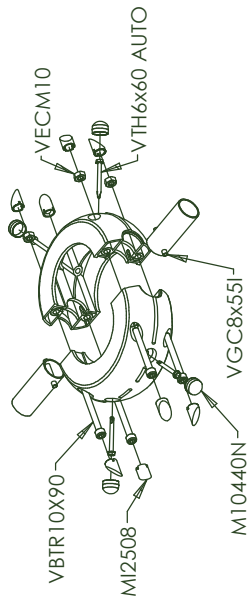


	VCBHCM10*30I	8
	MI0310N	8
	MI0440N	8
	VEFM10	8



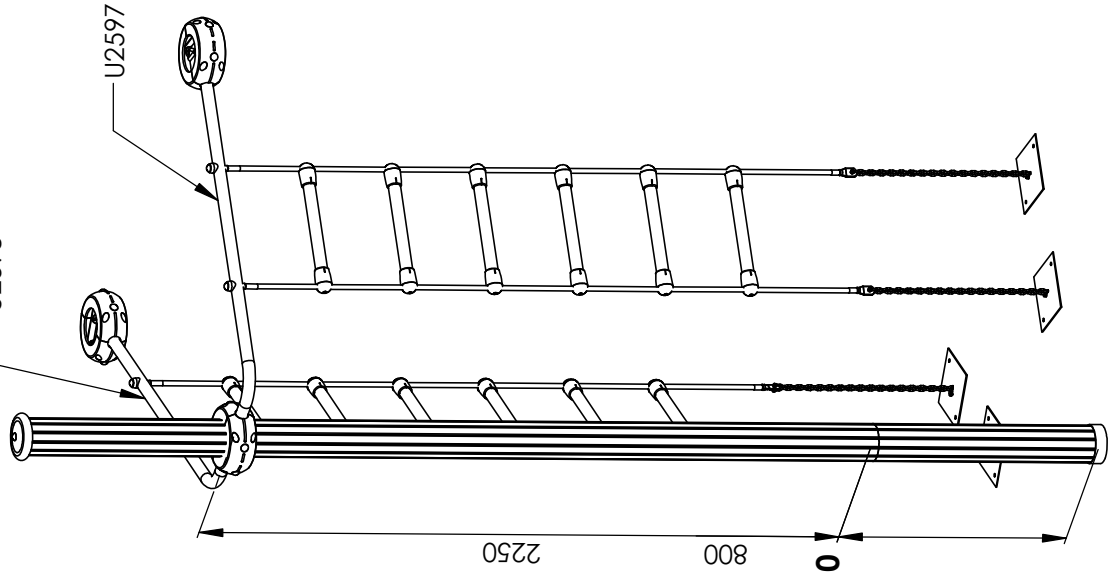
	VGC8*55T	4
	VCZX 6x25	24
	VEBM6	24
	MI2502VX	12
	VCBHC10*30I	10
	MI0310N	10
	MI0440N	10
	VEFM10	10
	VTH6*60 ALUTE	12
	VECM10	12
	VBTR 10x90	12
	MI0440N	12
	MI 2508VX	24
	MI2501VX	6



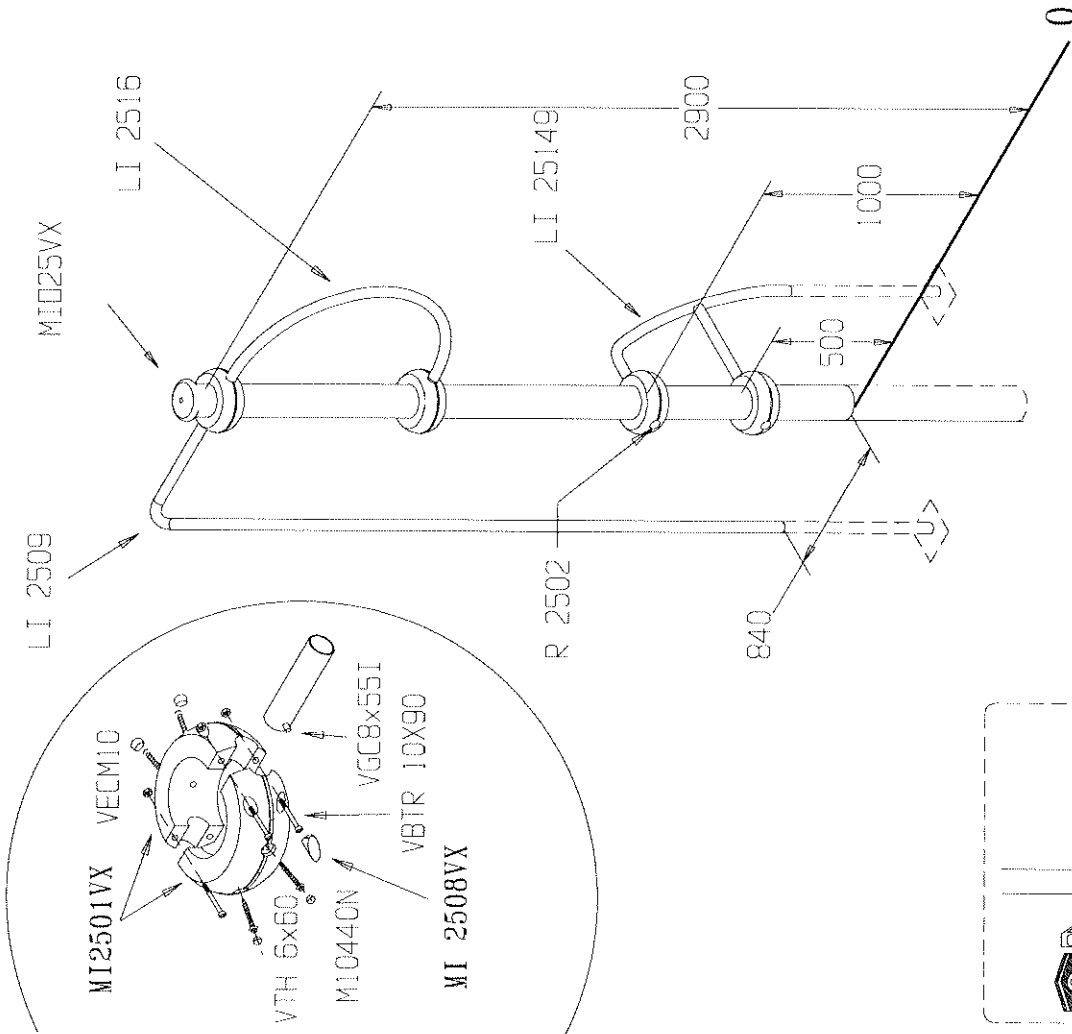


1x
U2598

1x
U2597



LG4412	1
LGP2502	1
M10440N	13
MI025VX	1
MI2501VX	6
MI2508	24
R2502	2
U2597	1
U2598	1
VBTR10X90	12
VECM10	12
VFHCM6x40	1
VGC8x55I	2
VTH6x60 AUTO	12



MI2501VX x 8



MI025VX x 1



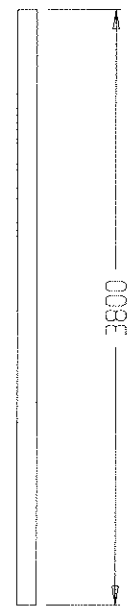
LI2516 x 1



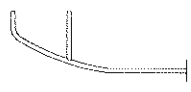
LI2509 x 1
Lg 3495



LGP2502 x 1
Lg 3800

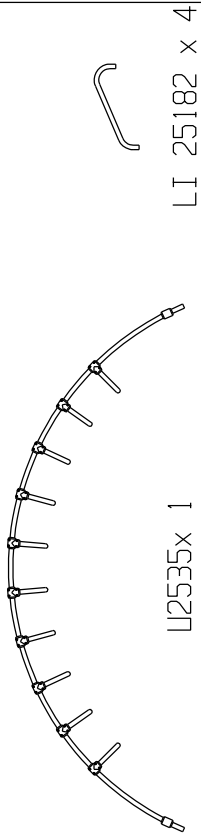
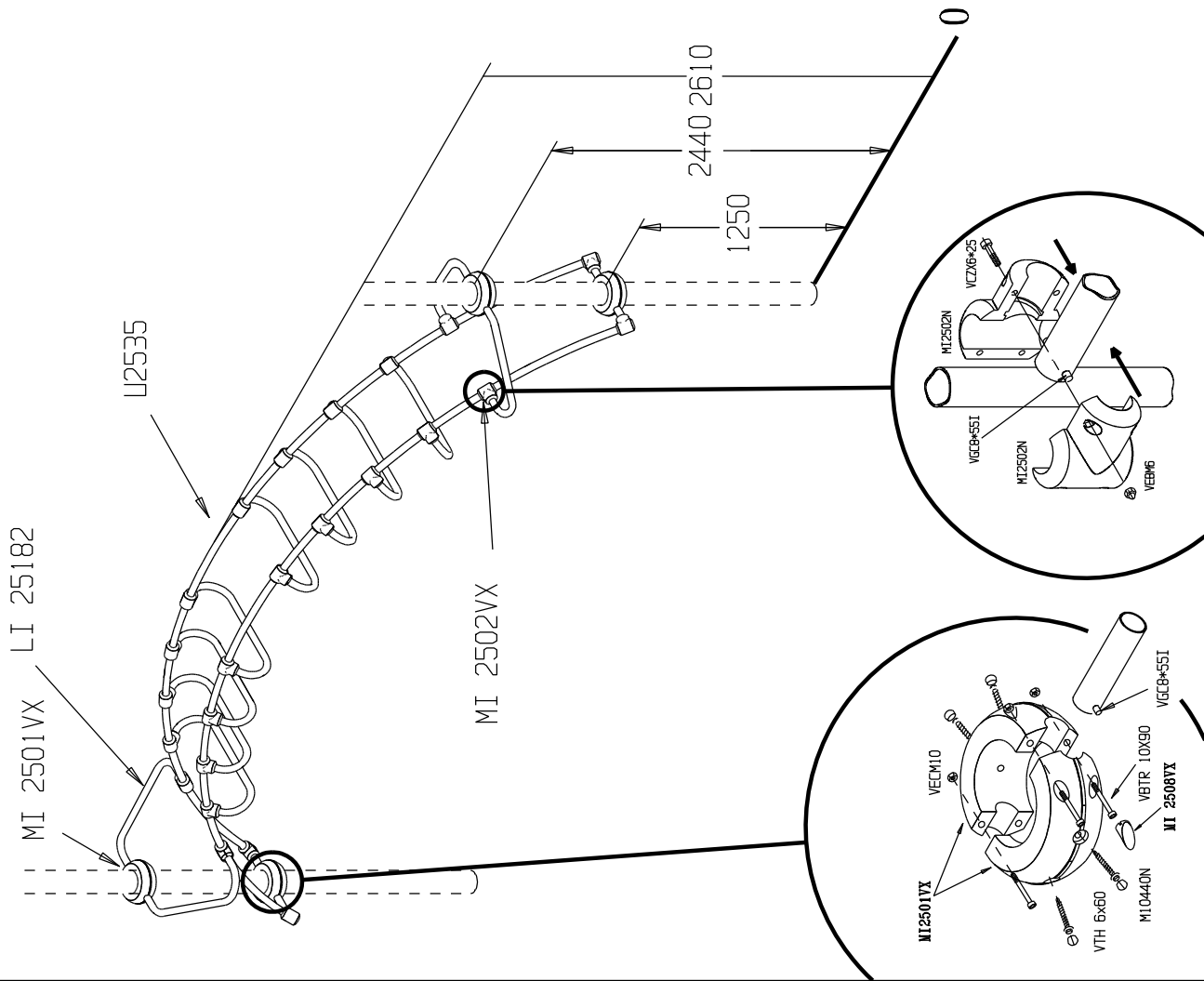


3800



LI25149 x 1

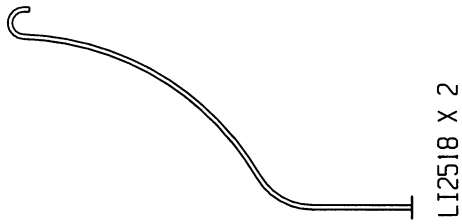
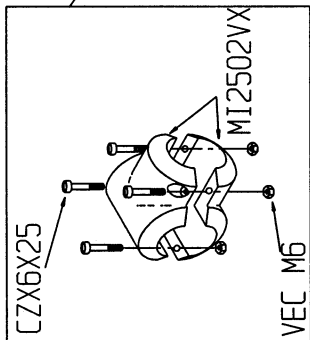
	LG4412	1
	VGC8*55I	3
	VFHC6x40	1
	VTH6*60 AUTO	16
	M10440N	17
	VECM10	16
	VBTR 10x90	16
	MI 2508VX	32
	R 2502	3



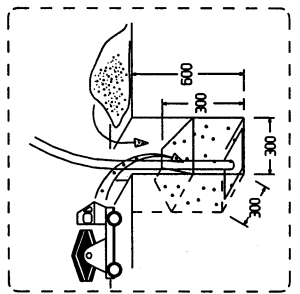
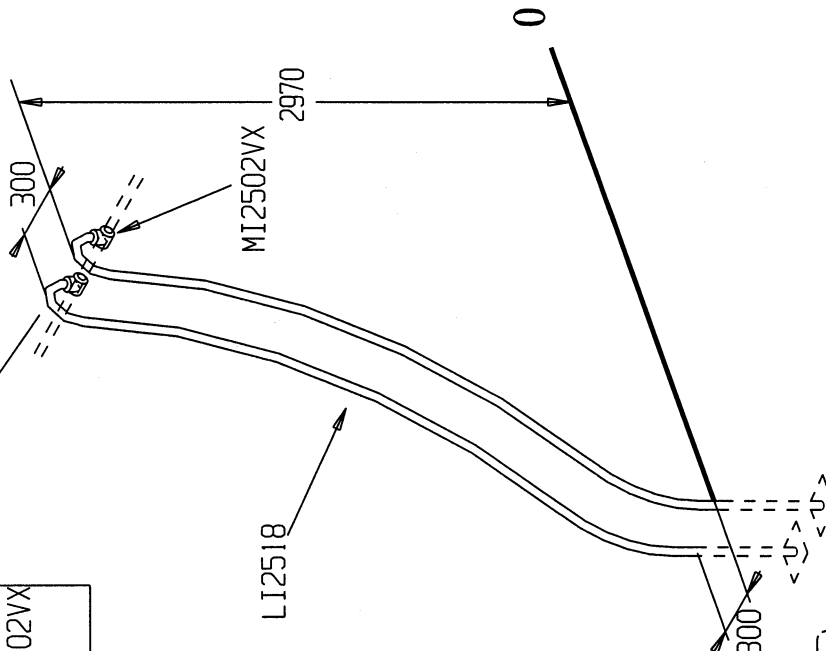
MI2501VX x 8

MI2502VX x 8

	VGC8*55I	12
	VTH6x60 AUTO	16
	VBTR 10x90	16
	VCZX 6x25	16
	M10440N	16
	VECM10	16
	VEBM6	16
	MI 2508VX	32



MI2502VX X 4



⊕	VEC M6	8
⊕	CZX 6x25	8