



N°		
1	0.6 m	9 m <sup>2</sup>
2	1.95 m	15 m <sup>2</sup>
3	2.3 m	7 m <sup>2</sup>
4	2.72 m	33 m <sup>2</sup>

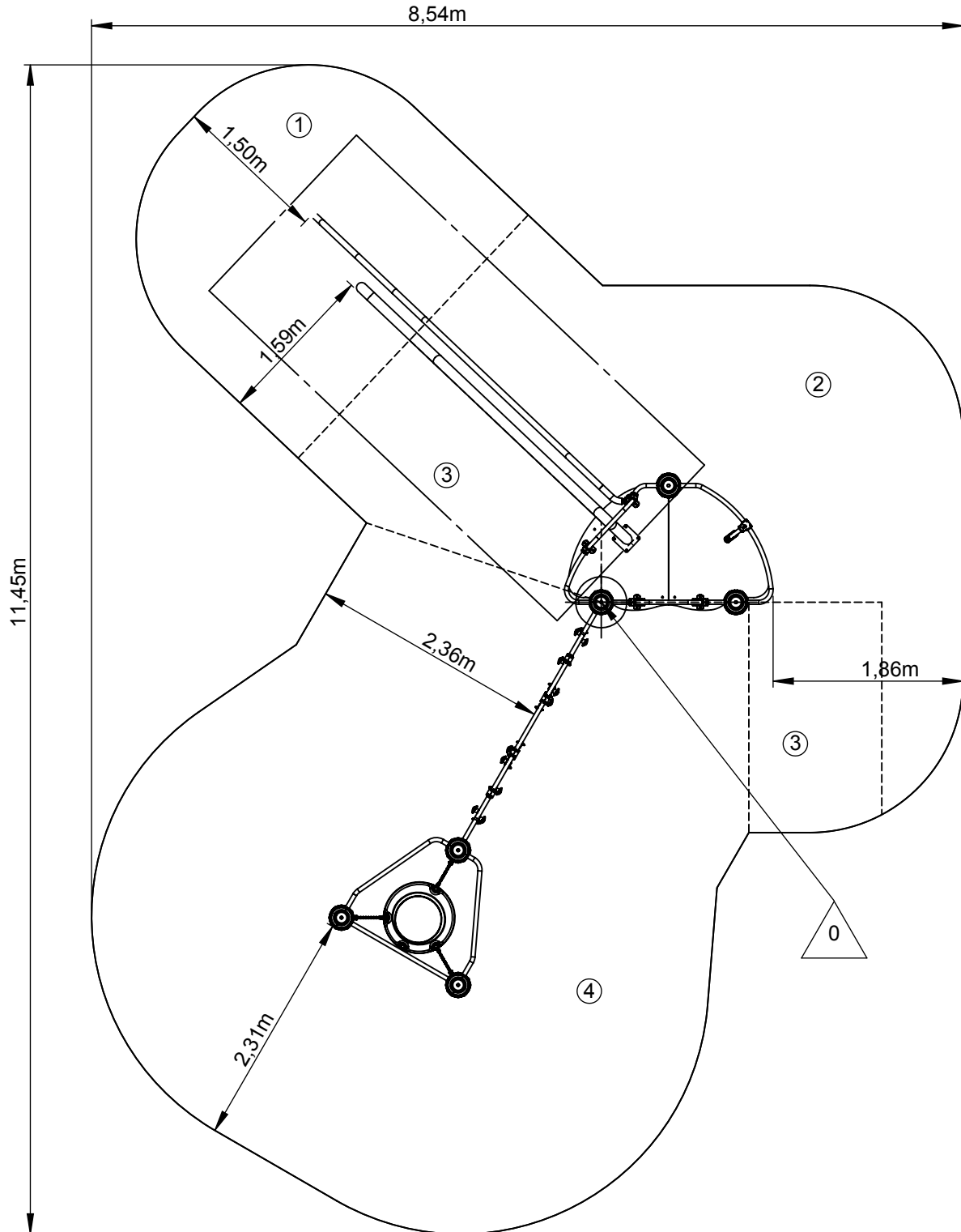
— Zone d'impact  
Impact area  
Area de impacto  
Fallraum  
Valzone

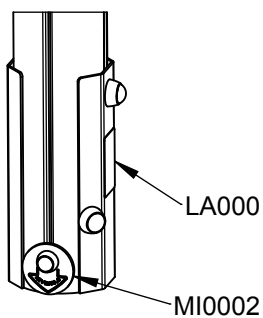
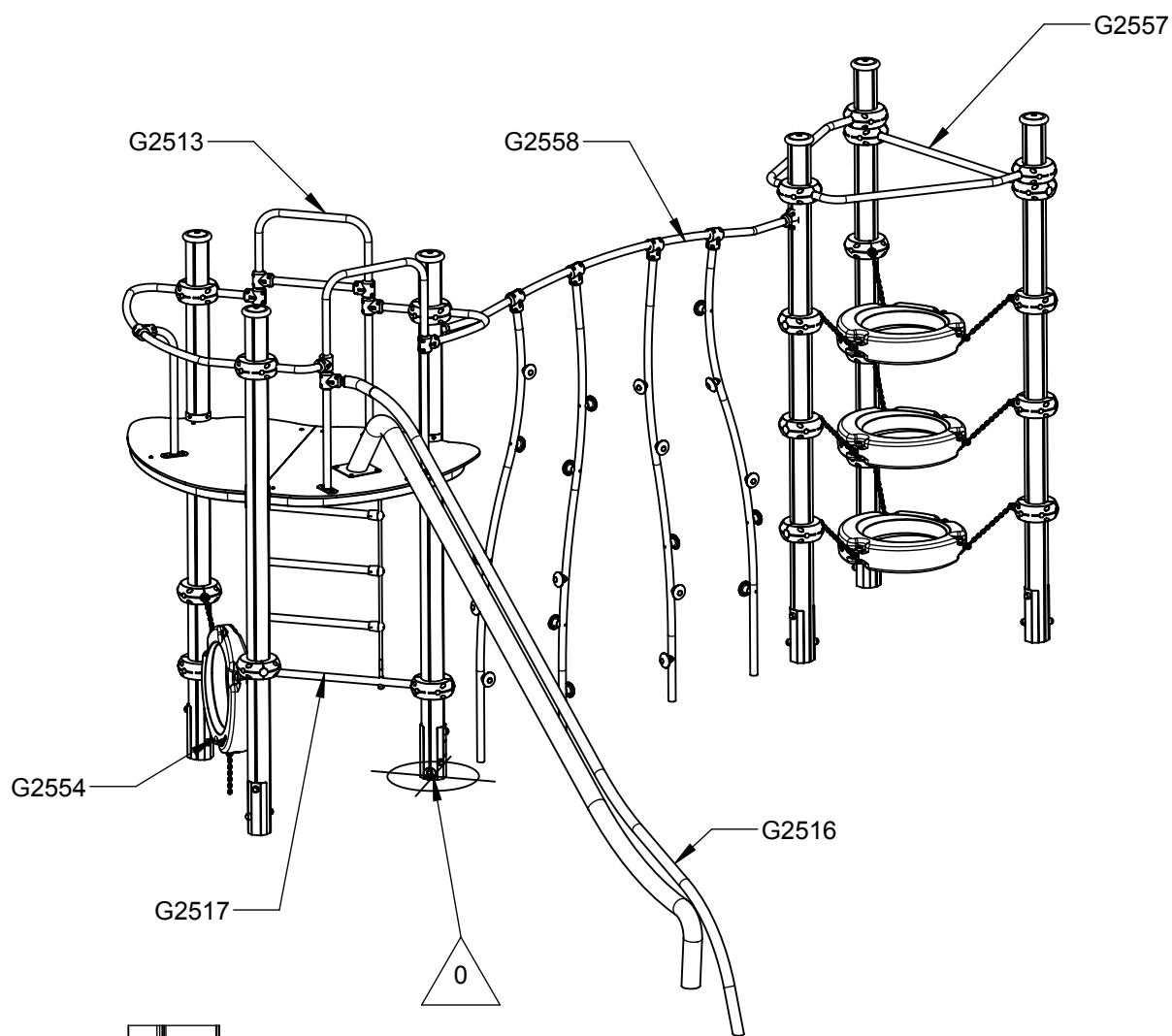
- - - Espace libre  
Free space  
Espacio libre  
Freiraum  
Vrije ruimte



Point de référence  
Setting out point  
Punto de referencia  
Bezugspunkt  
Referentiepunt

EN1176-1 : 2017

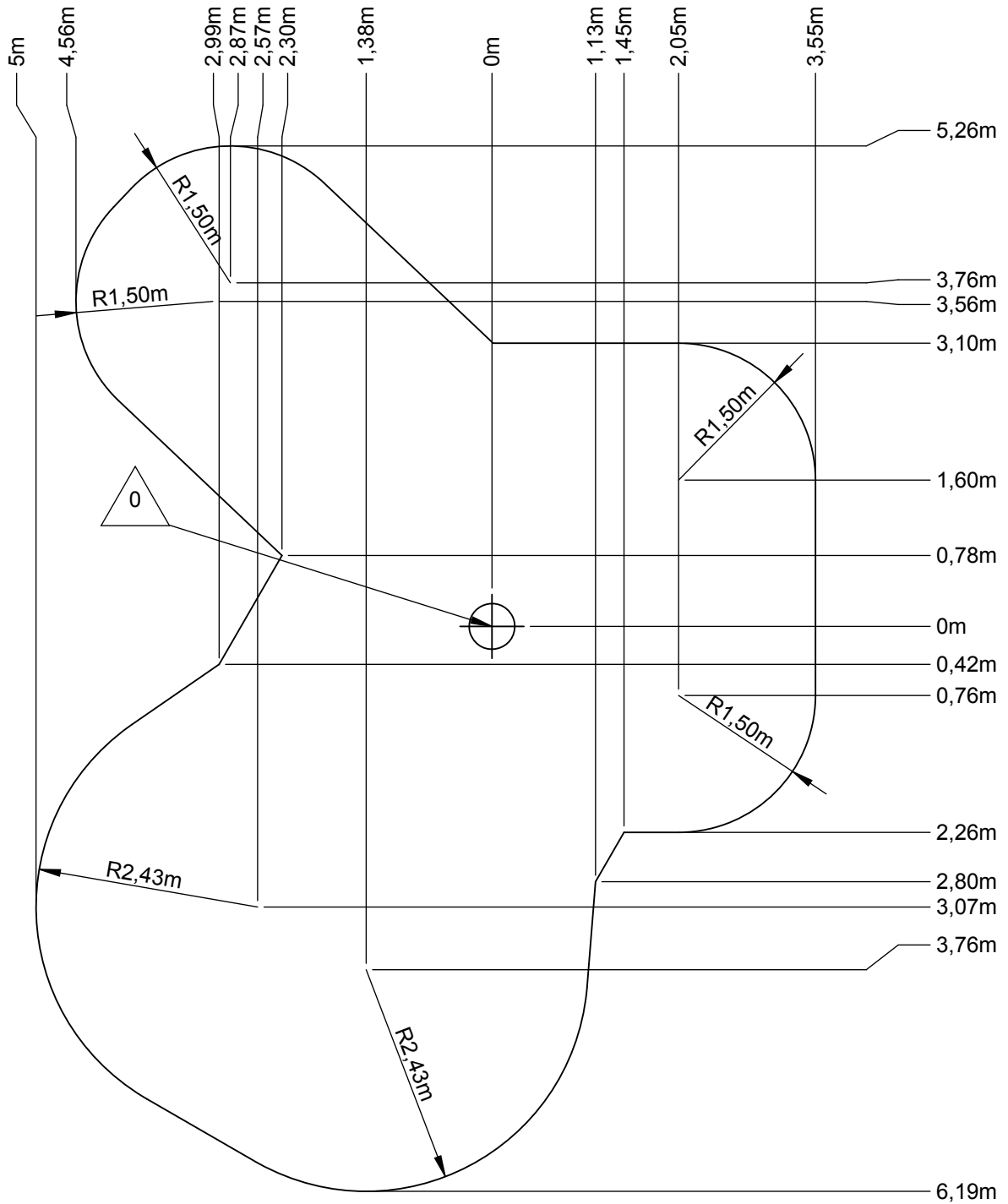




G2513	1
G2516	1
G2517	1
G2554	1
G2557	1
G2558	1
LA000	1
M10310N	1
M10440N	1
MI0002	1
VTF10x60	1

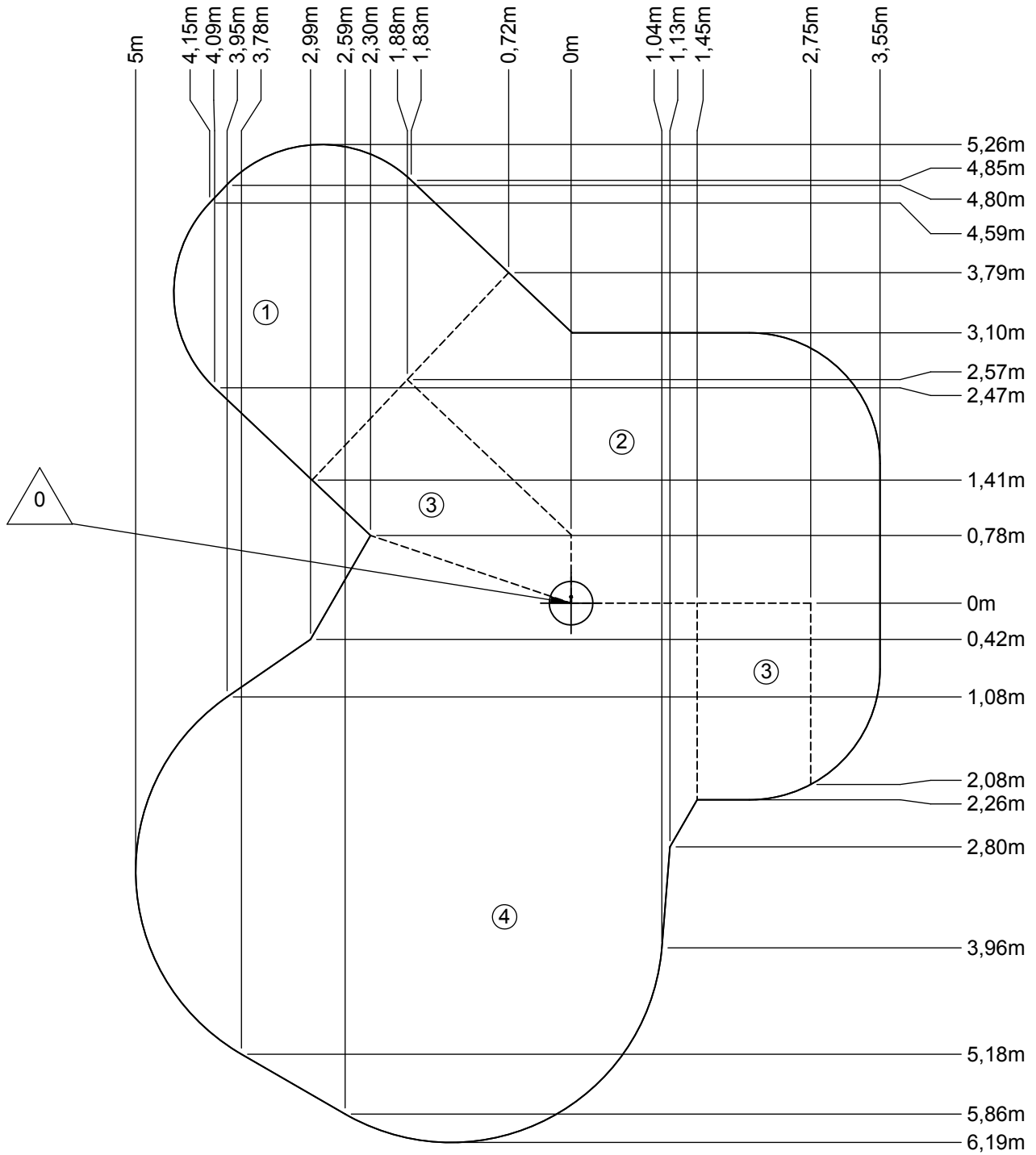
— Zone d'impact  
 Impact area  
 Area de impacto  
 Fallraum  
 Valzone

64 m<sup>2</sup>



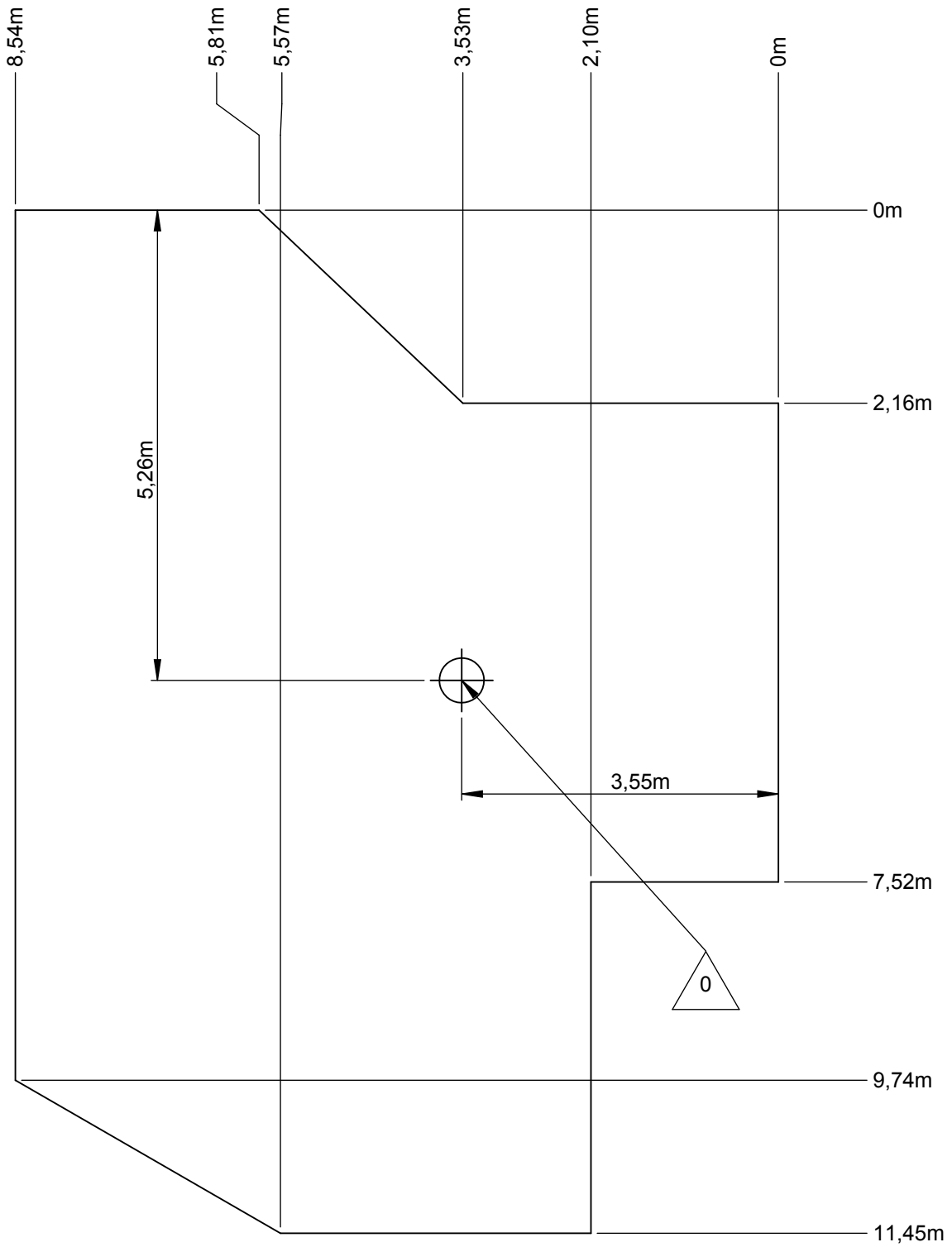
— Sol souple  
 — Wetpour  
 — Caucho continuo  
 — Synthetischer fallschutz  
 — Gietvloer

64 m<sup>2</sup>

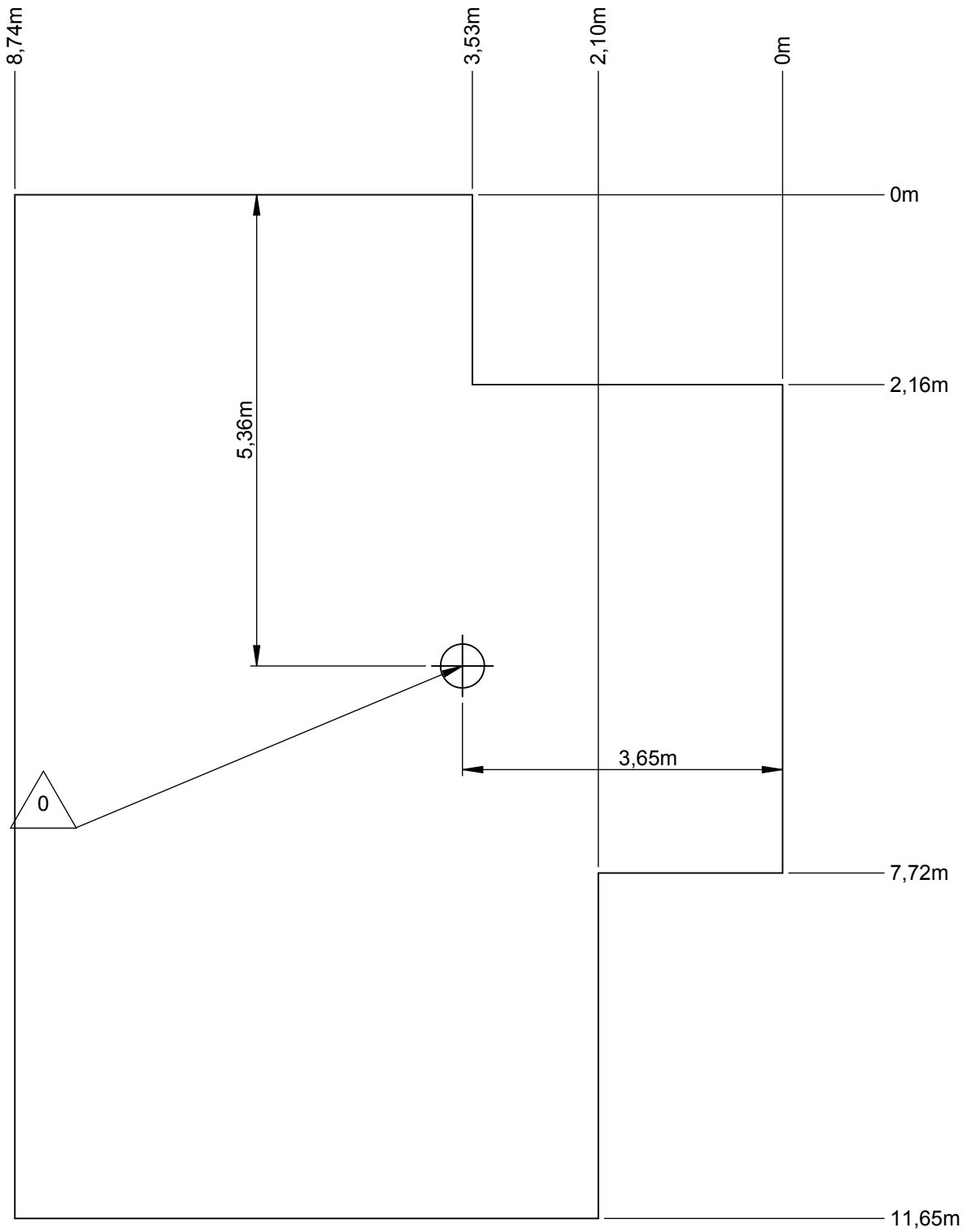


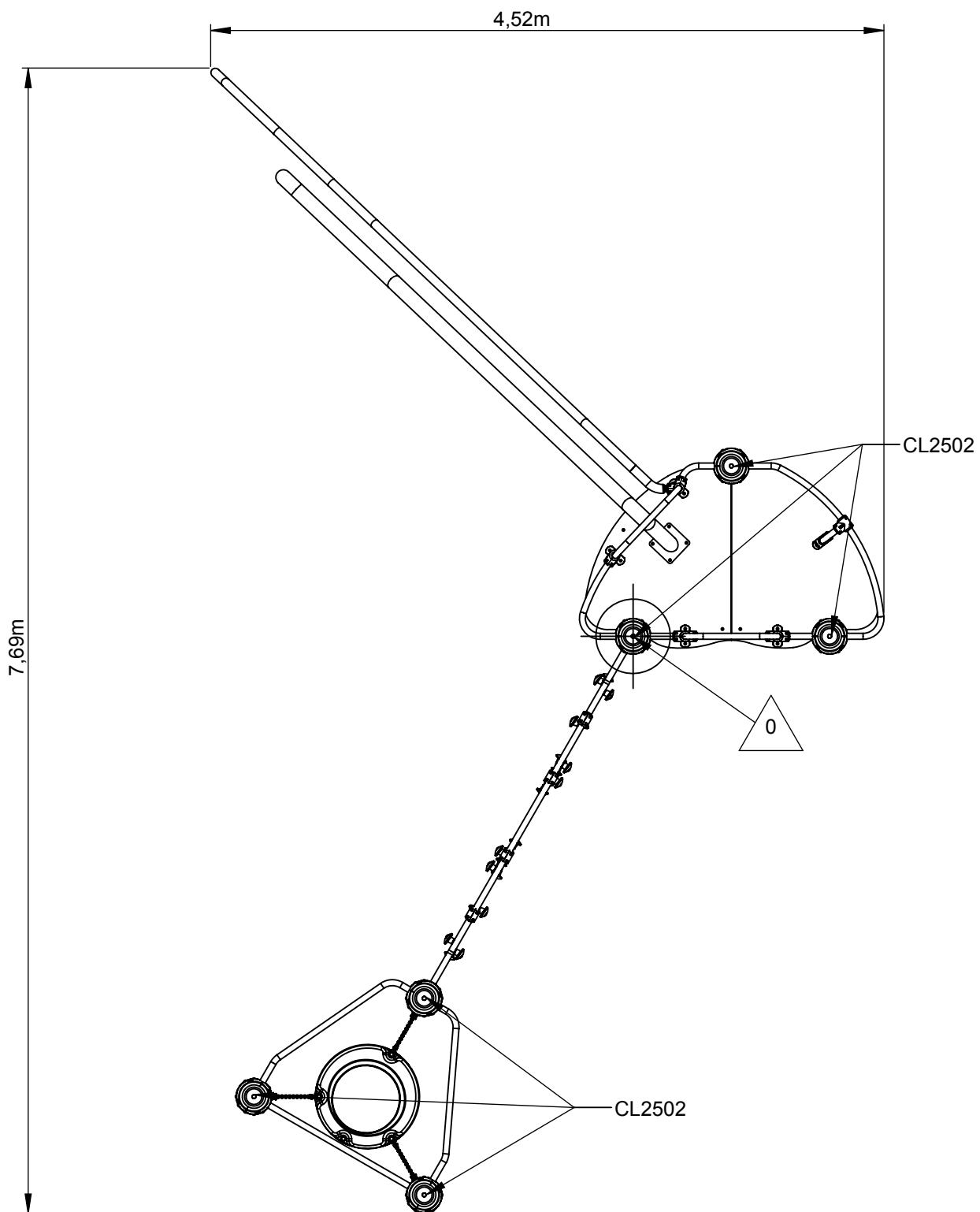
— Dalle béton  
 Concrete pad  
 Solera de hormigon  
 Beton bodenplatte  
 Betonnen bodemplaat

38 m  
 77 m<sup>2</sup>

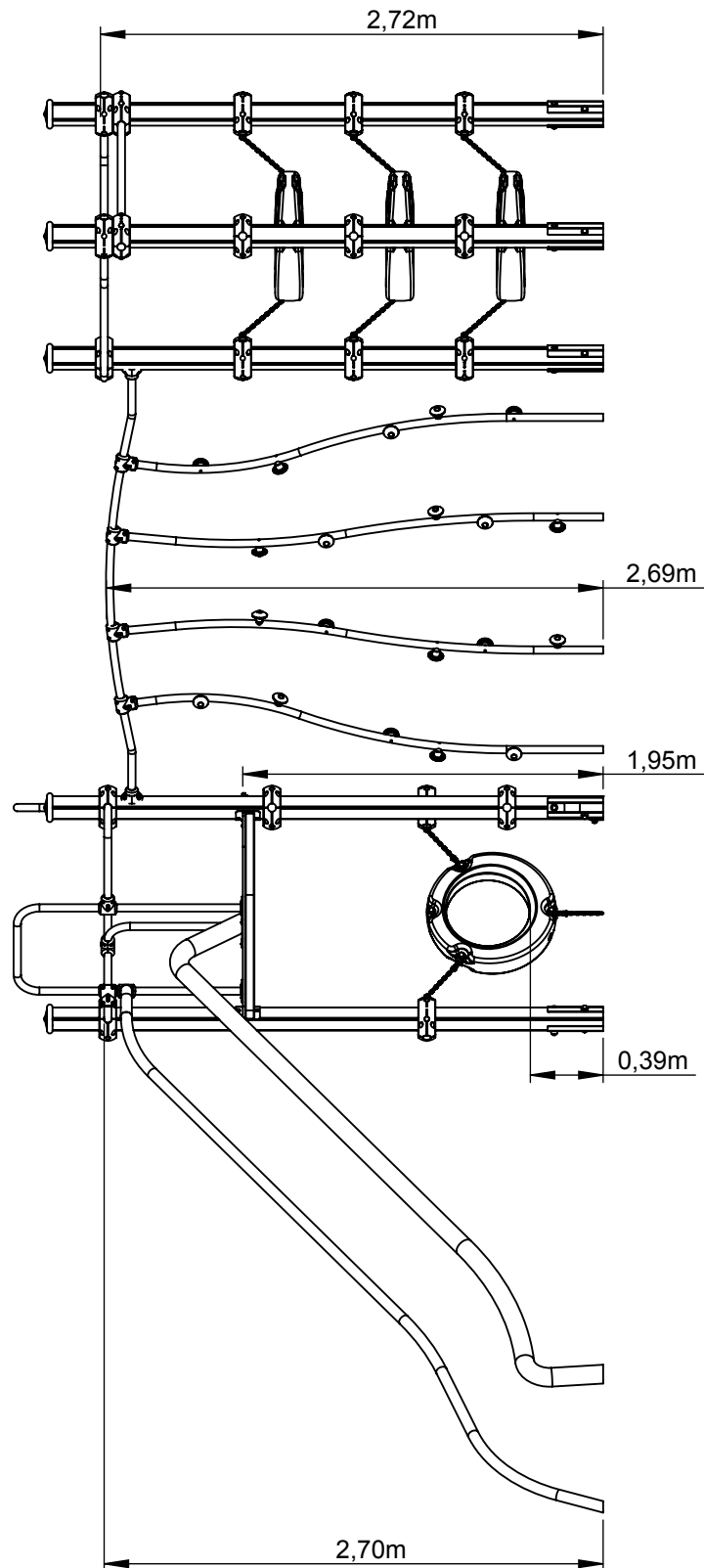


— Sol fluent  
 — Loos partucule material 42 m  
 — Arenero  
 — Loses Bodenmaterial 86 m<sup>2</sup>  
 — Los bodemmaterialaal

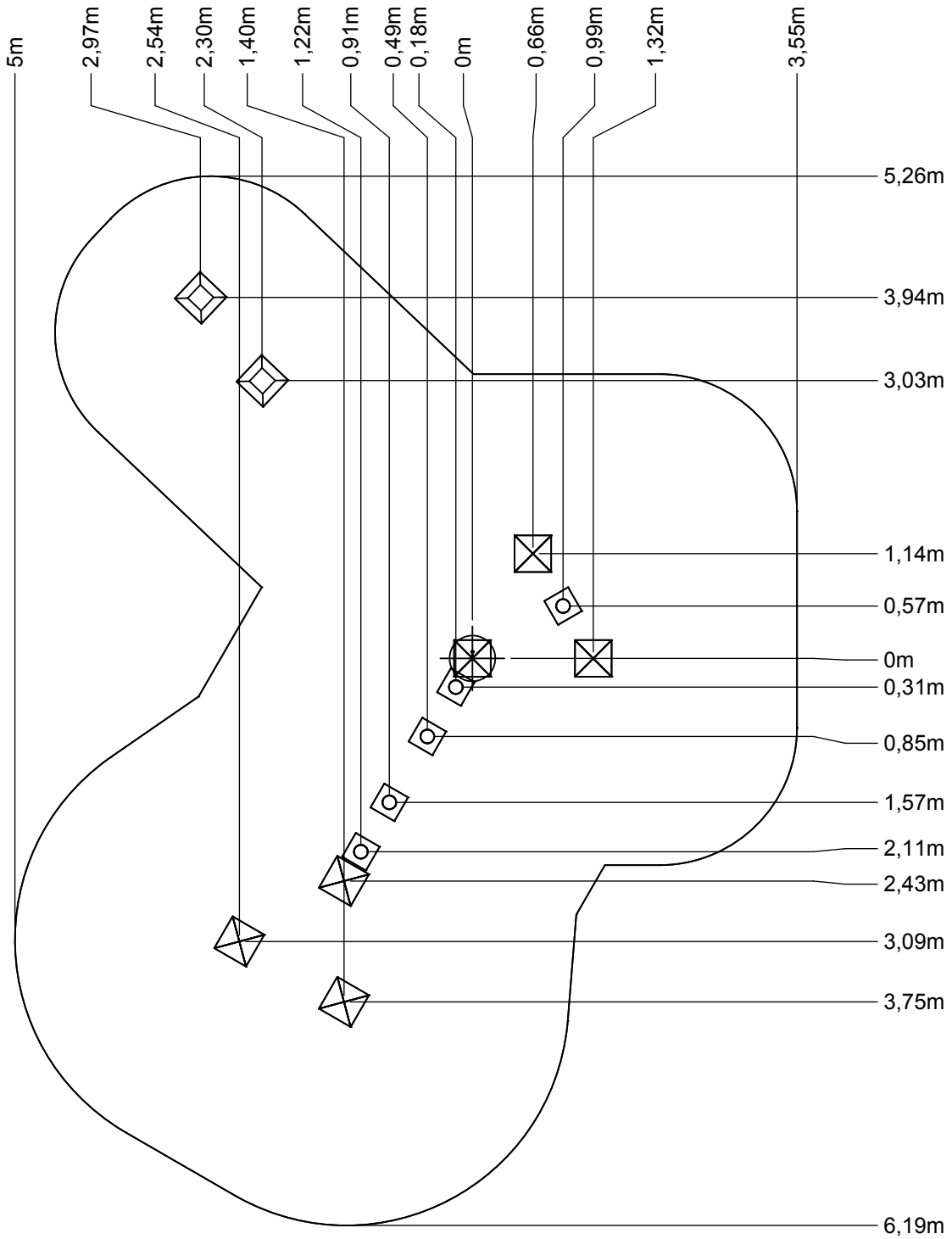







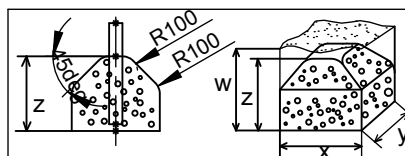







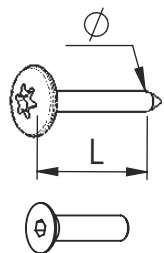
Implantation  
 Footing plan  
 Implantación  
 Fundomentplan  
 Funderingstekening



 x2  
 7H  
 0.8 m<sup>3</sup>



	x	y	z	w
	0.3	0.3	0.3	0.6
	0.4	0.4	0.3	0.7
	0.4	0.4	0.2	0.6



VBT 6 x 30  
 $\varnothing$   $\uparrow$  L (mm)

VFHC



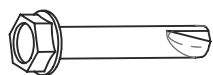
VEC M10  
 $\varnothing$



VEF



VEB

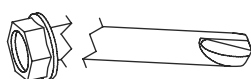


VTHA



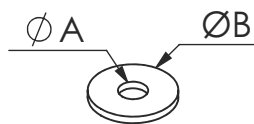
**1000 - 1800 tr/min**

Vitesse de rotation  
 Rotation speed

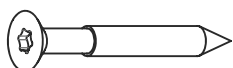


**14 N.m**

Couple de rupture  
 Torque of break



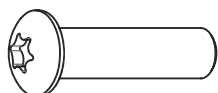
VR6x18  
 $\varnothing A$   $\varnothing B$



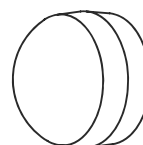
VWT



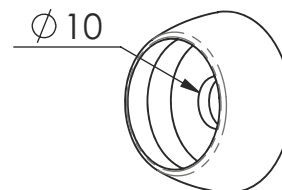
VGC



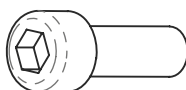
VCBHC



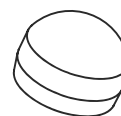
M10 440N



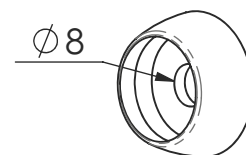
M10 310N



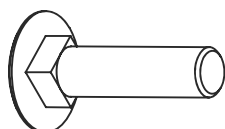
VBTR



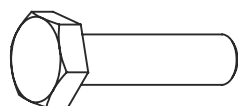
M8 440N



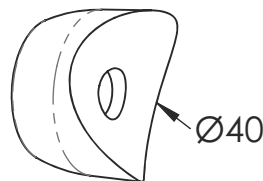
M8 310N



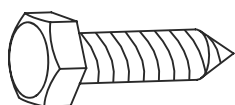
VTRCC



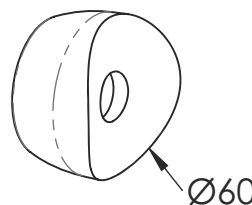
VTH



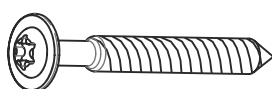
MI2503



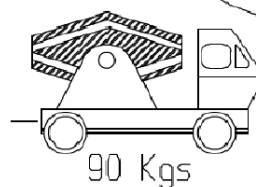
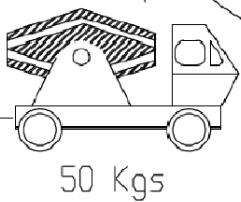
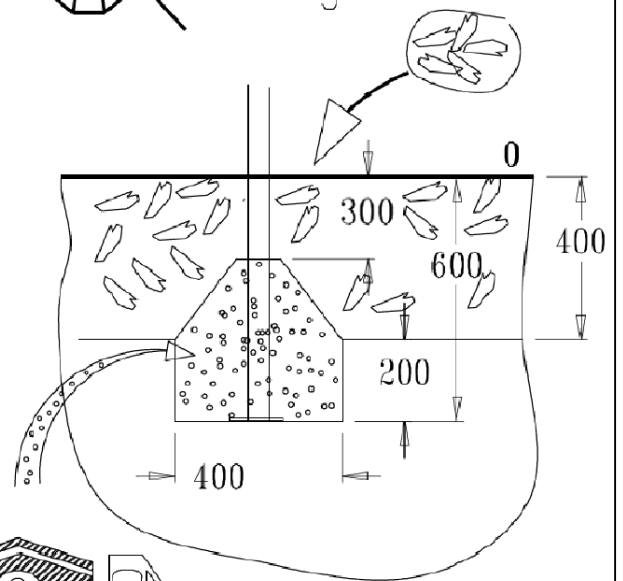
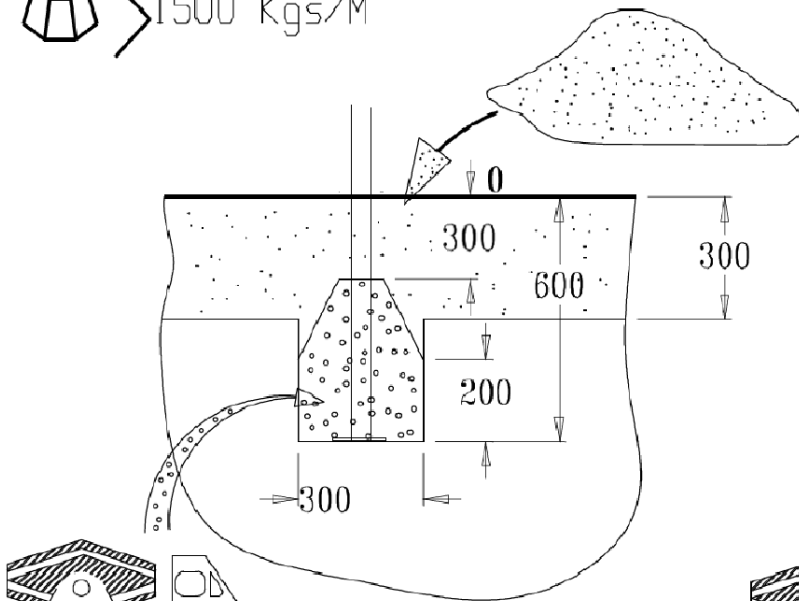
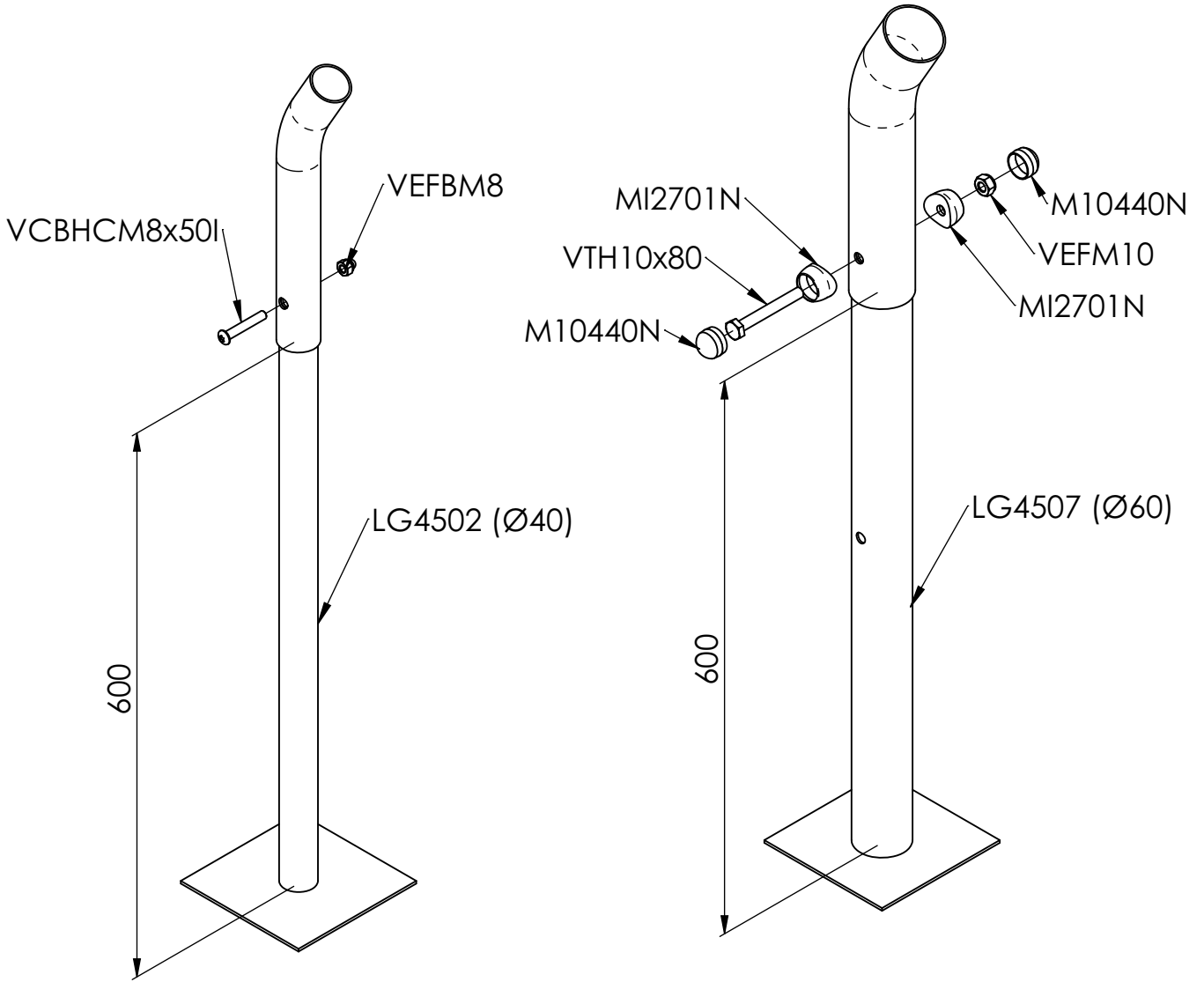
VTF

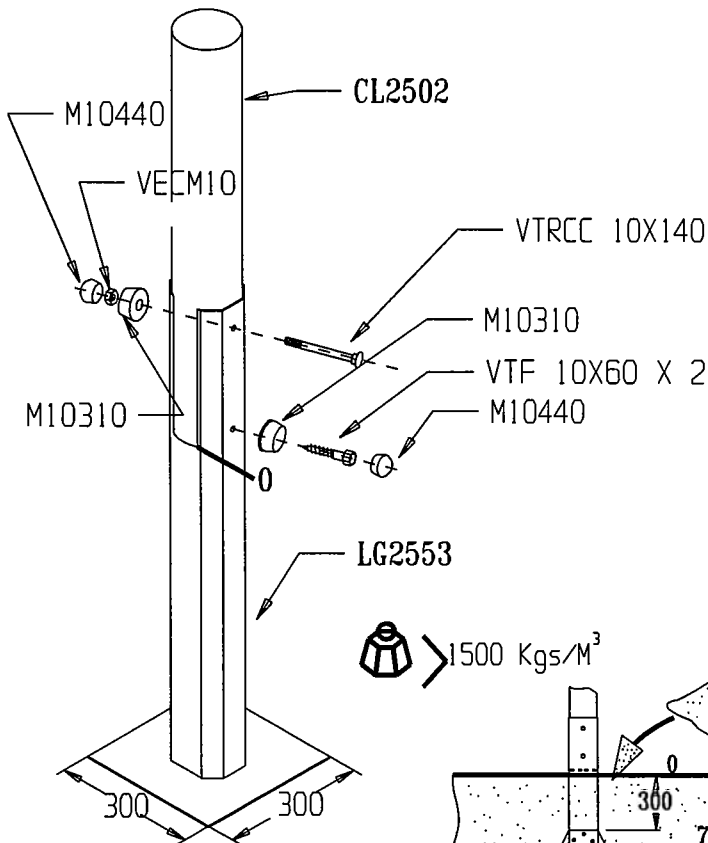


MI2701

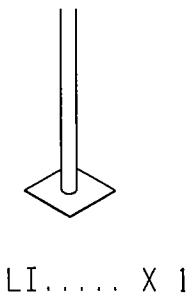
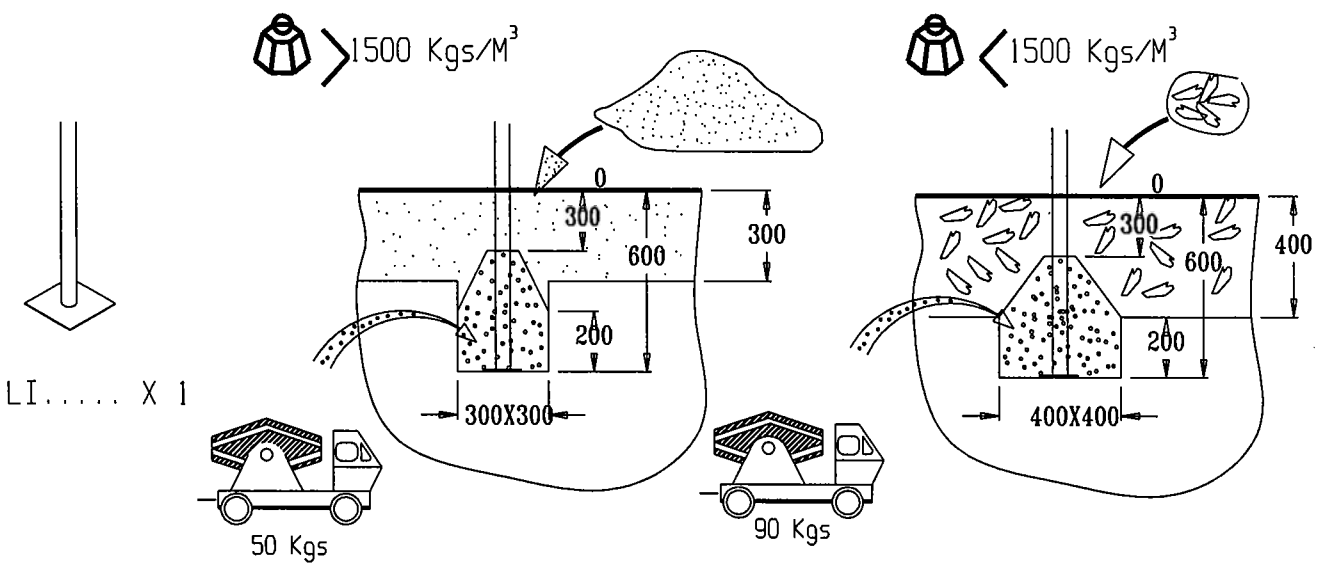
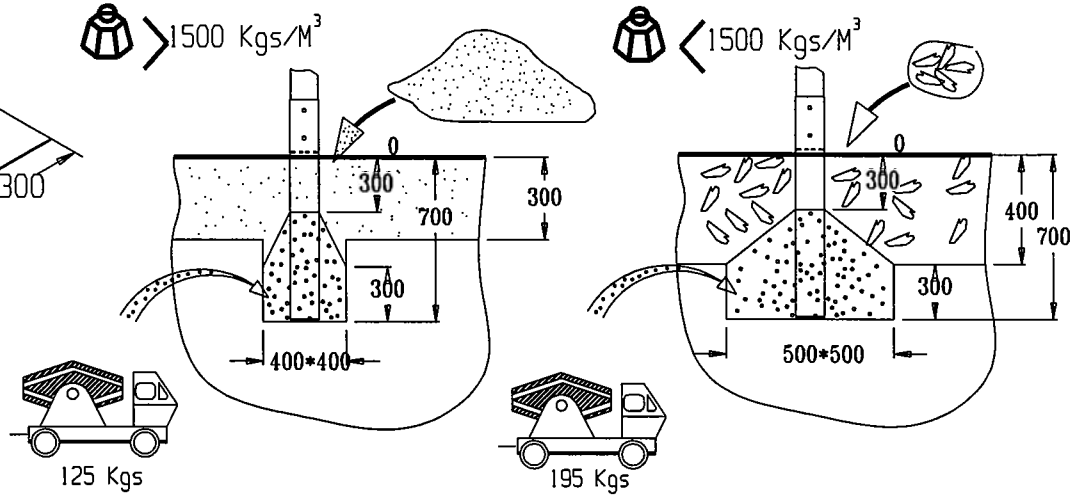
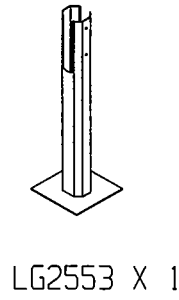


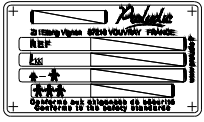
VBT



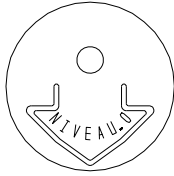


	VTRCC 10x140	1
	VECM10	1
	VTF 10x60	2
	M10310	3
	M10440	3

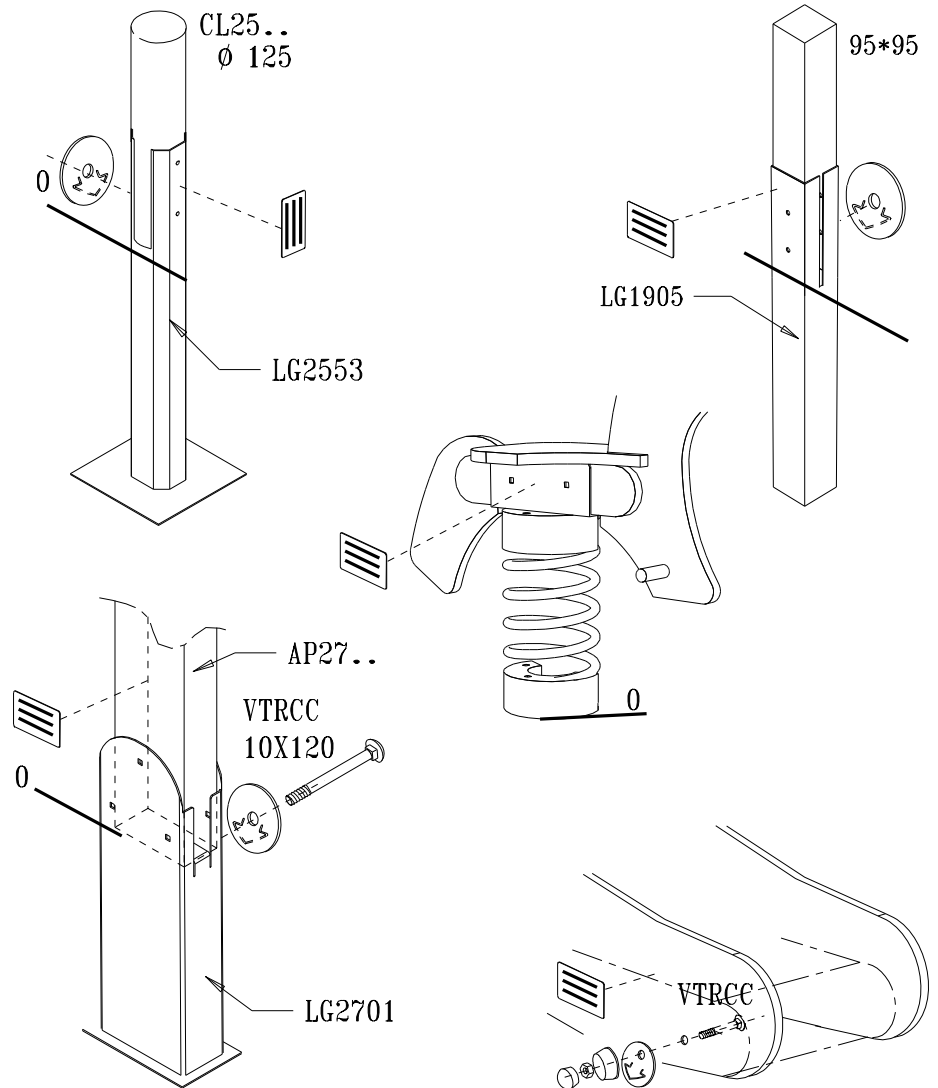
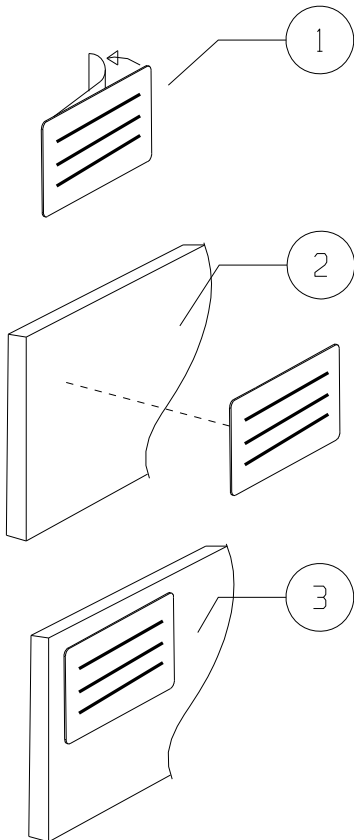
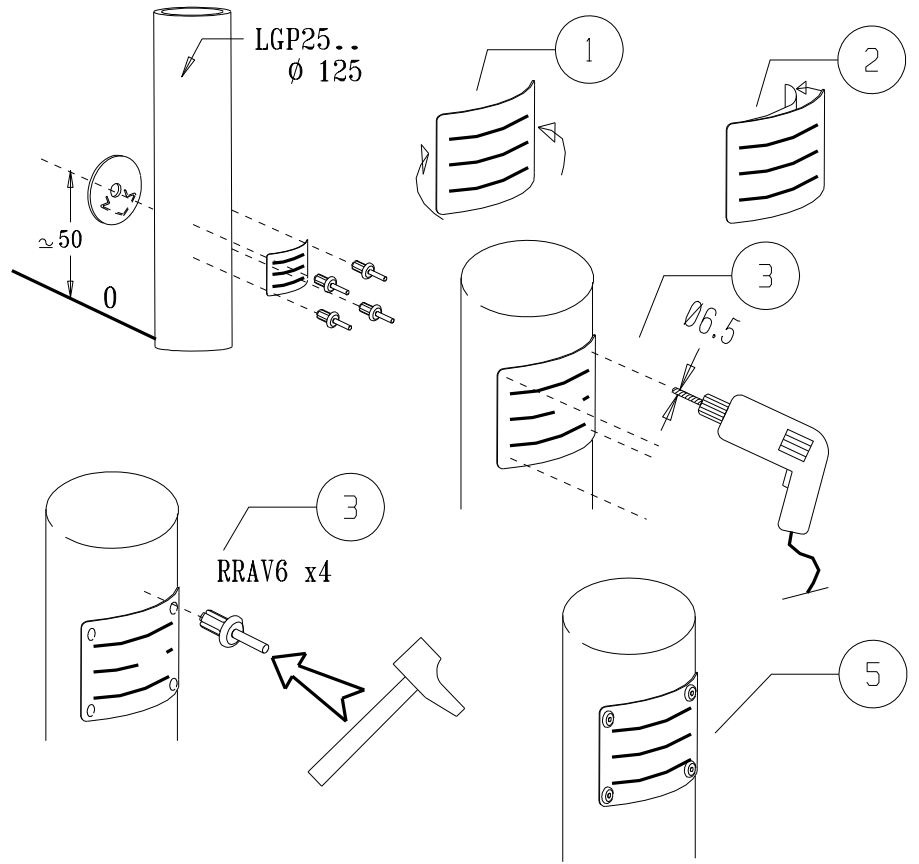


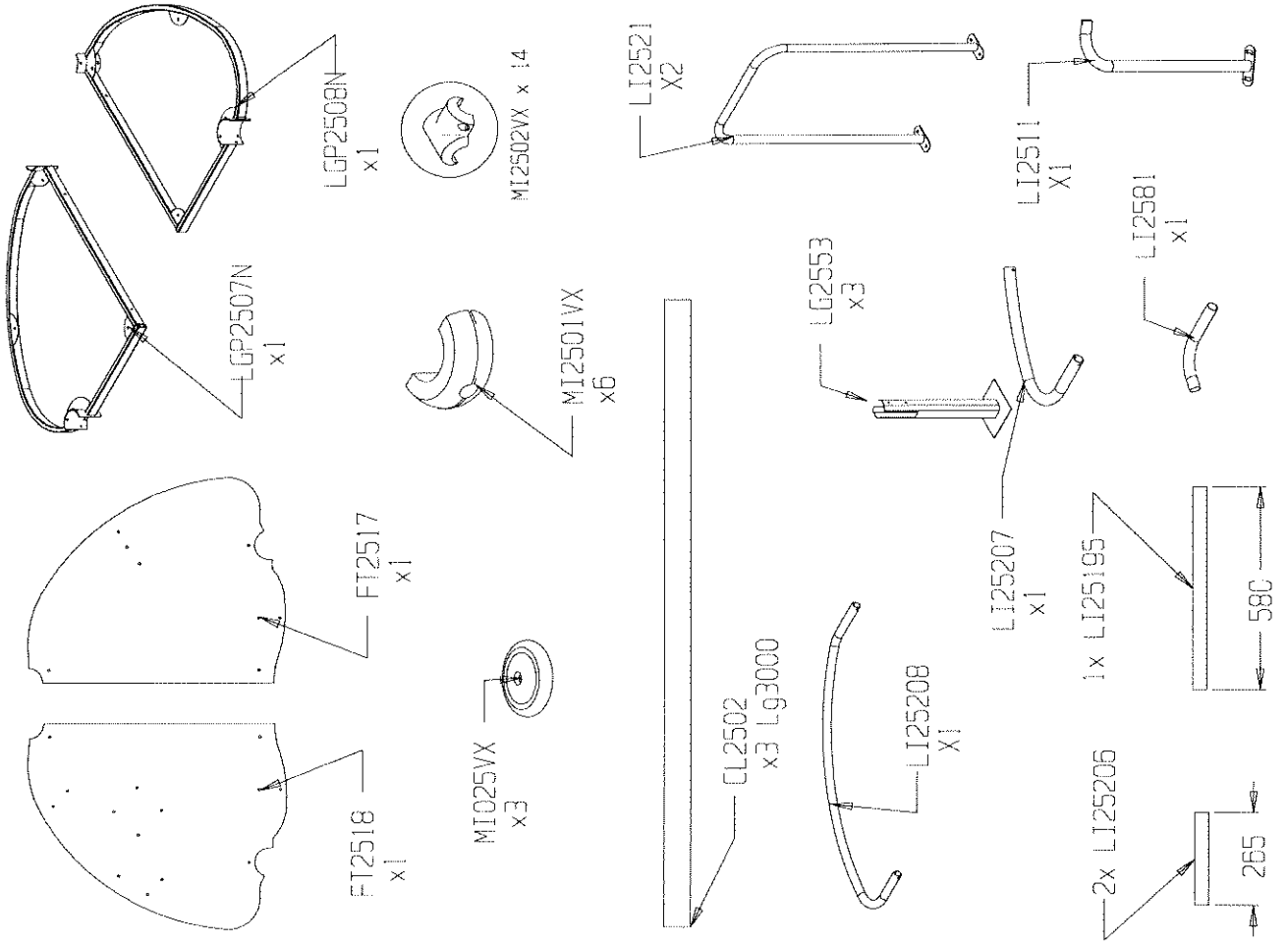
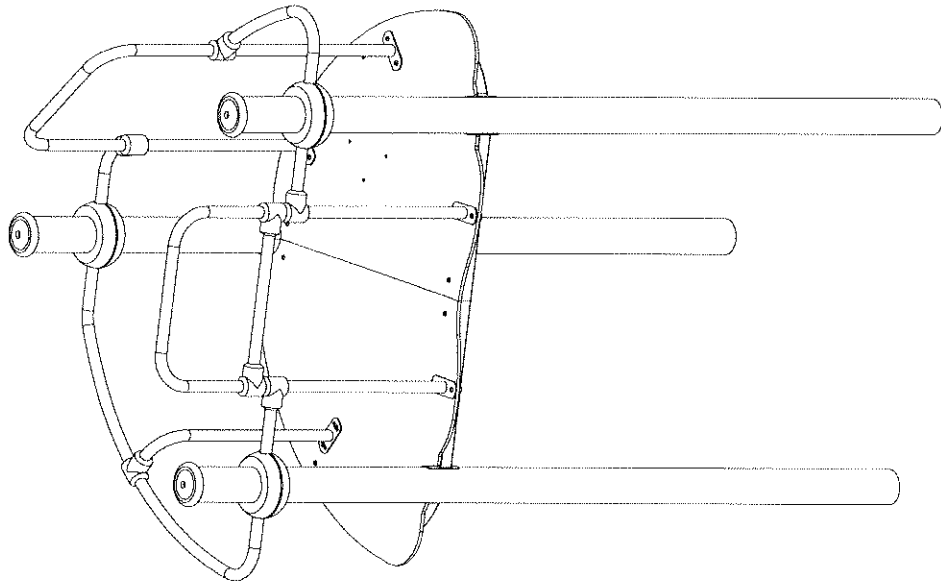


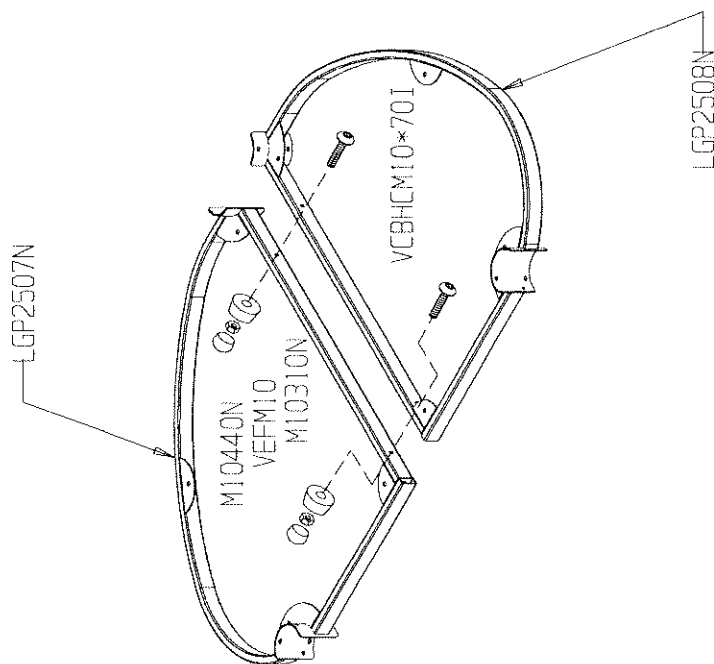
LA000



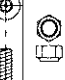



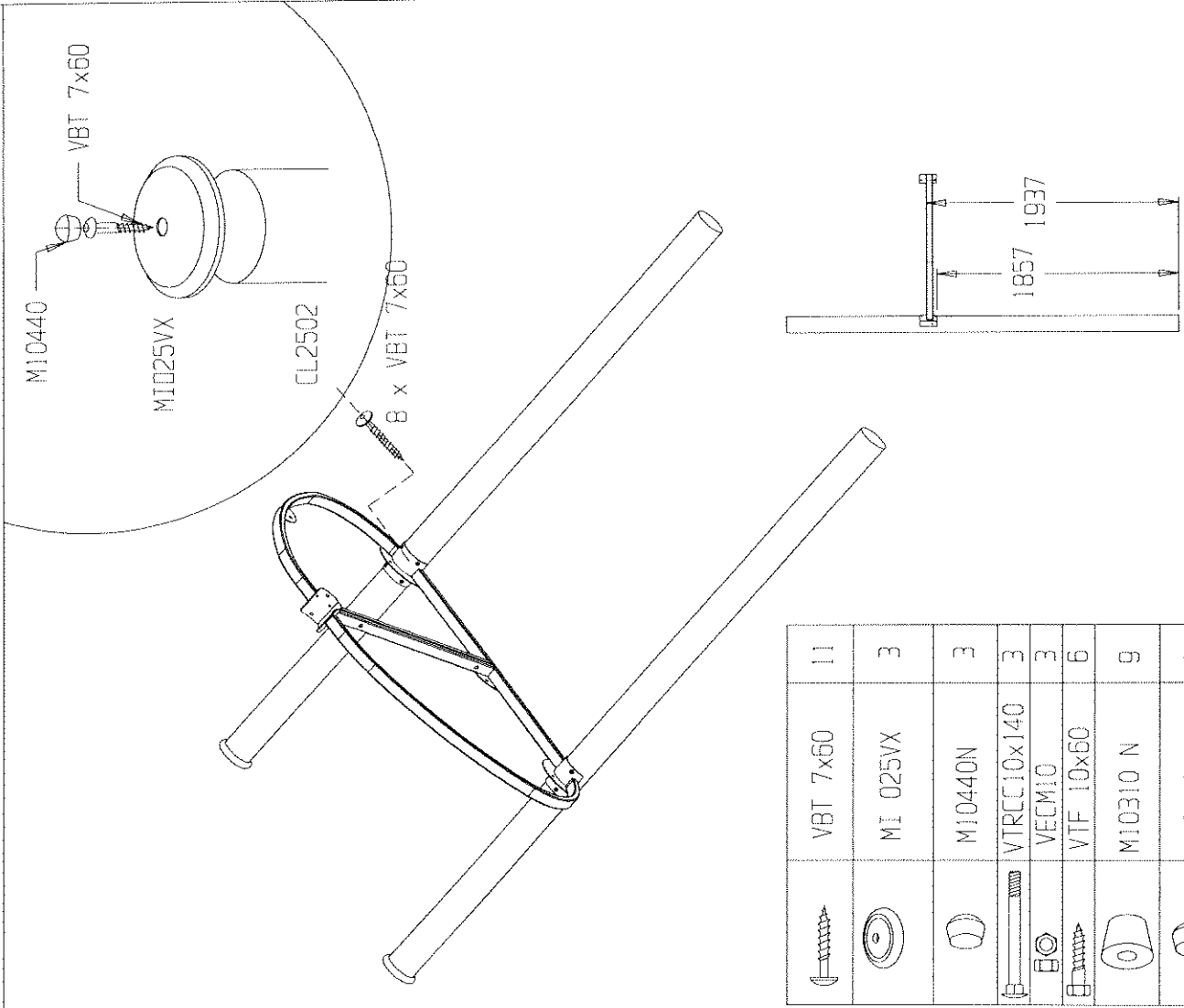
MI0002



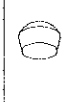
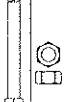






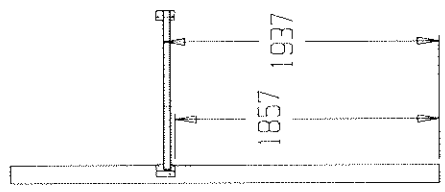




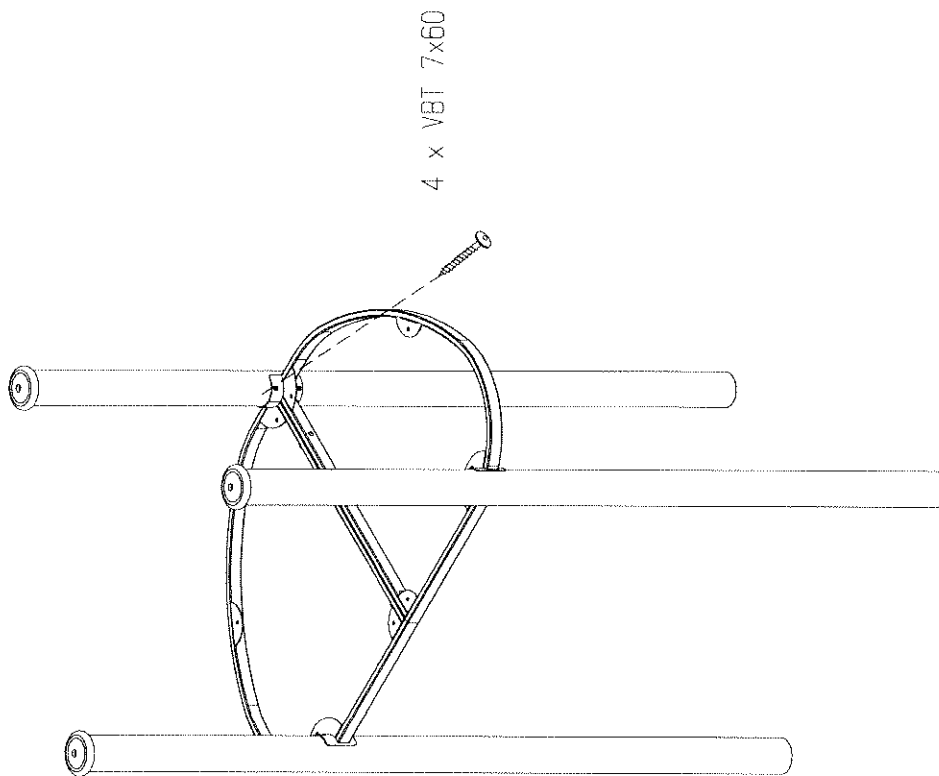
	M10310N	2
	M10440N	2
	VCBHC10*70I	2
	VEFM10	2



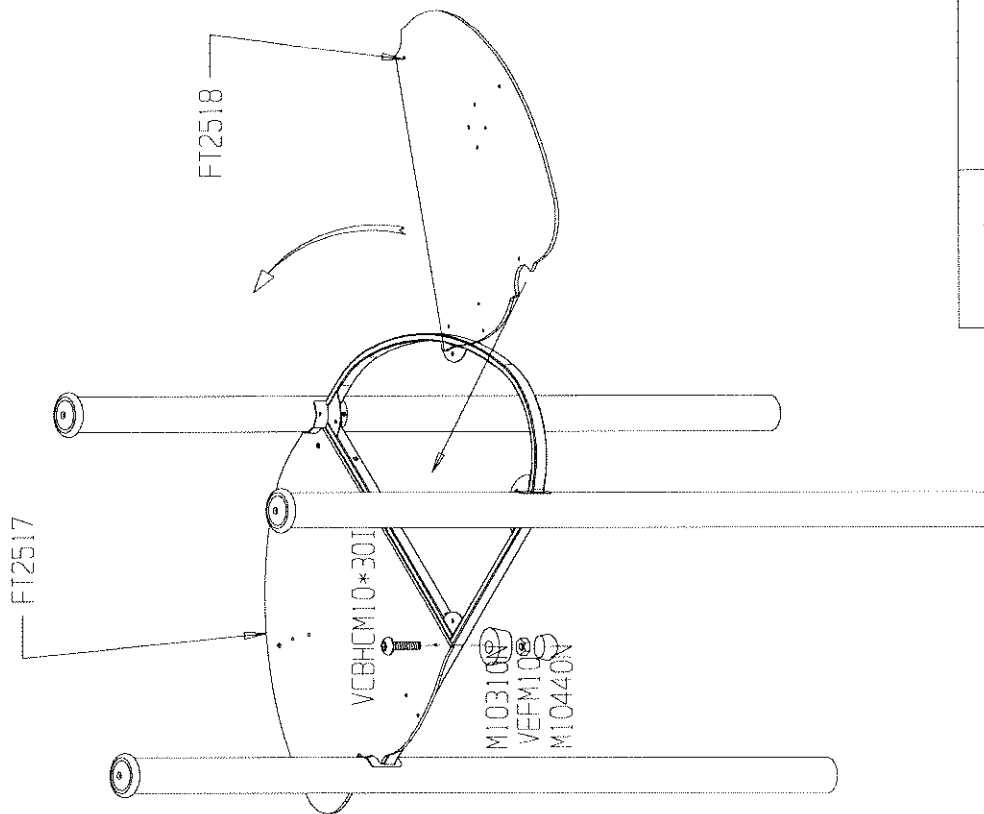
	VBT 7x60	11
	MI 025VX	3
	M10440N	3
	VTRCC10x140	3
	VECM10	3
	VTF 10x60	6
	M10310 N	9
	M10440 N	9



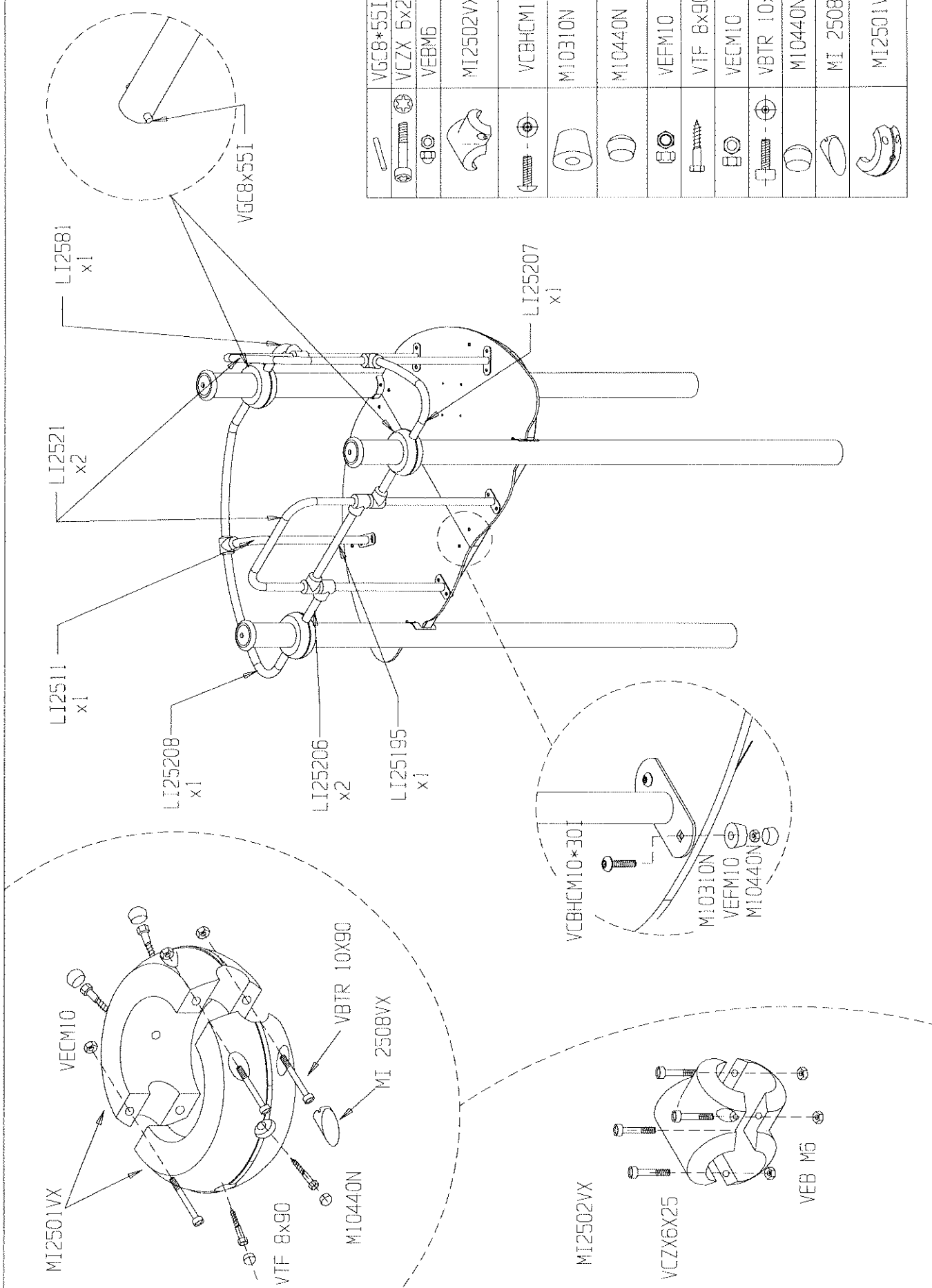




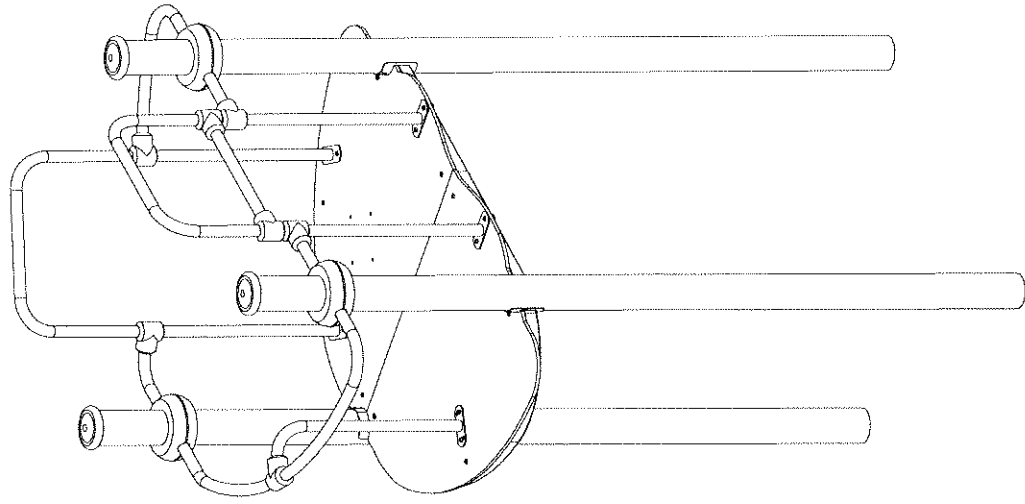
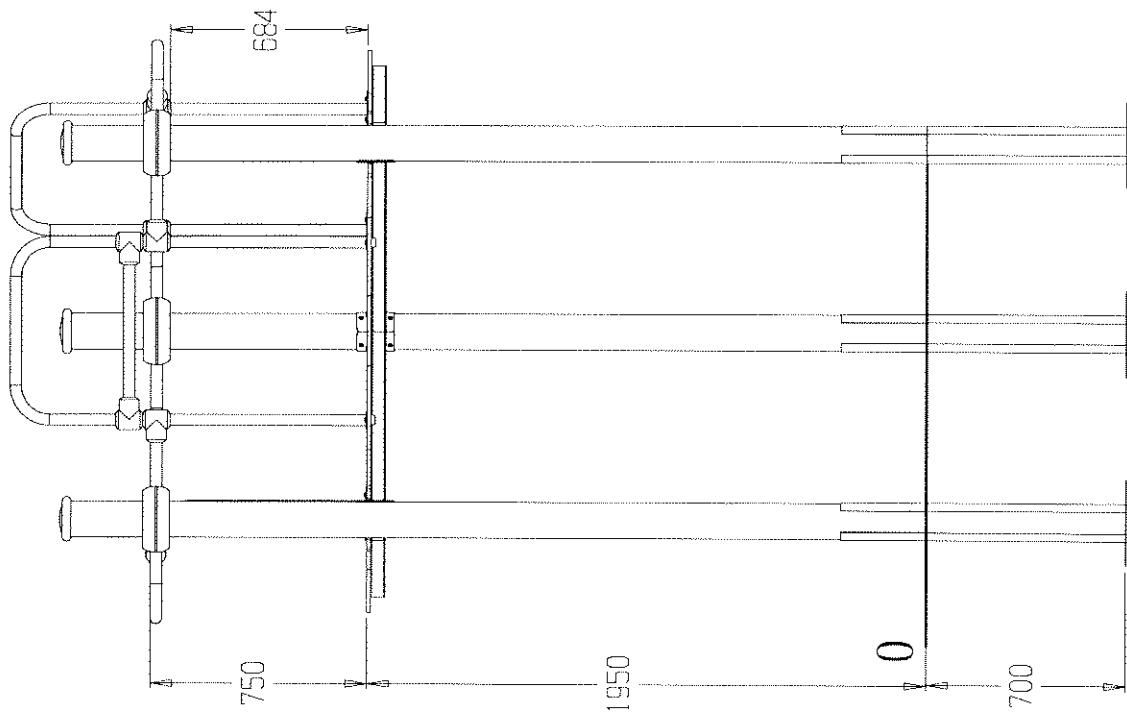
	VBT 7x60	4
--	----------	---

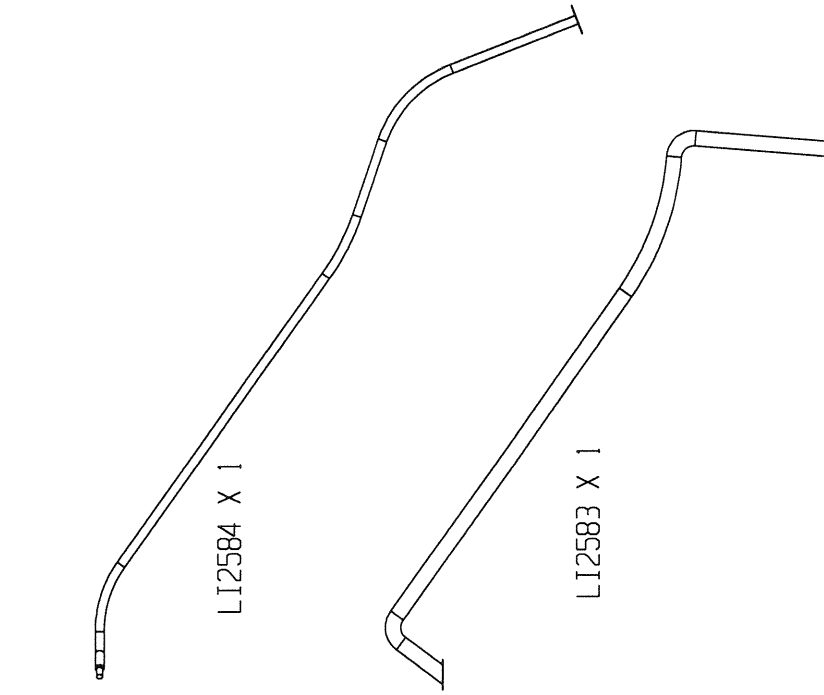
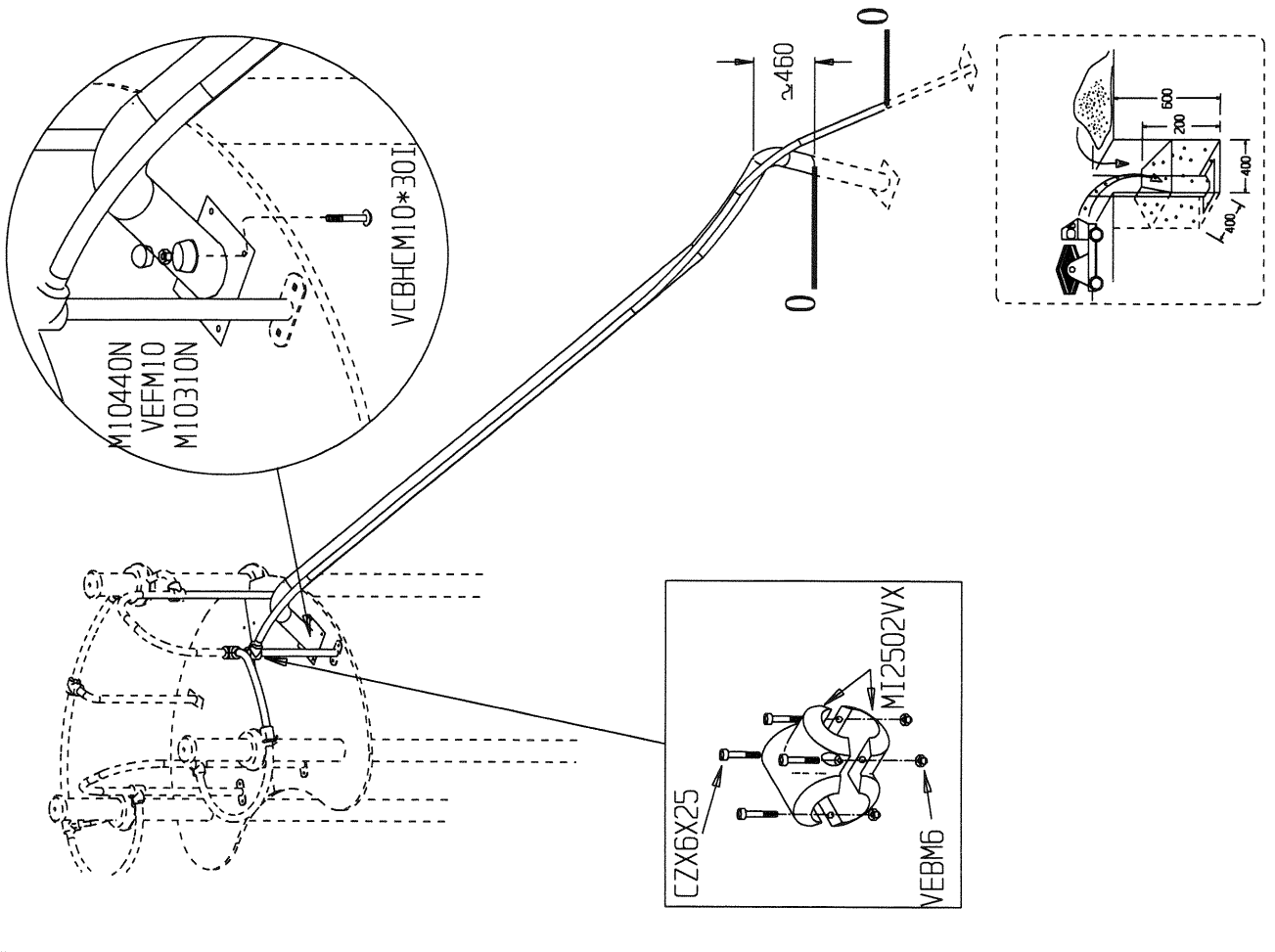


	VCBHC10*30I	8
	M10310N	8
	M10440N	8
	VEFM10	8



	VGC8*55I	4
	VCZx 6x25	28
	VEBM6	28
	MI2502VX	14
	VCBHC10*30I	10
	M10310N	10
	M10440N	10
	VEFM10	10
	VTF 8x90	12
	VECM10	12
	VBTR 10x90	12
	M10440N	12
	MI 2508VX	24
	MI2501VX	6

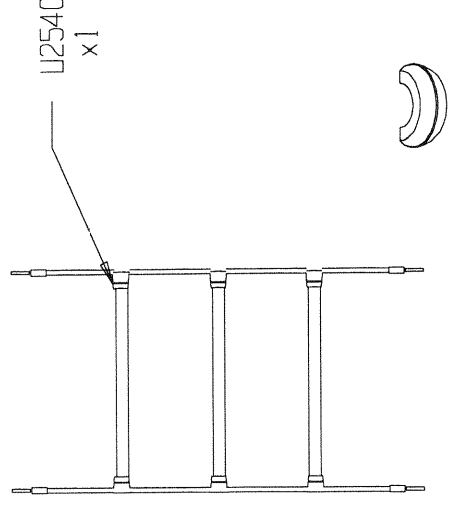
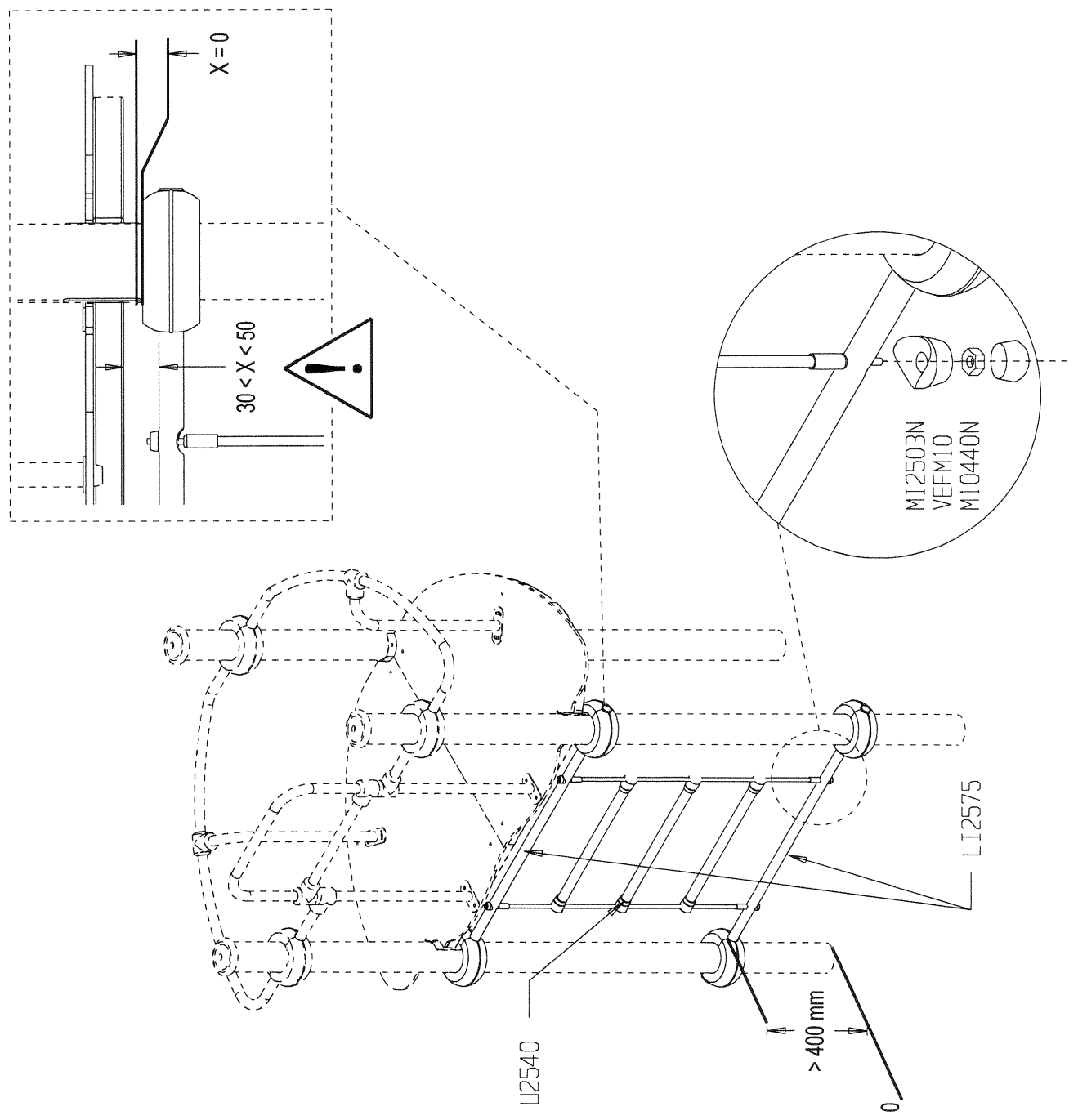




	VEFM10	4
	VCBHC10*30I	4
	VCZX 6x25	4
	VEBM6	4
	M10310N	4
	M10440N	4

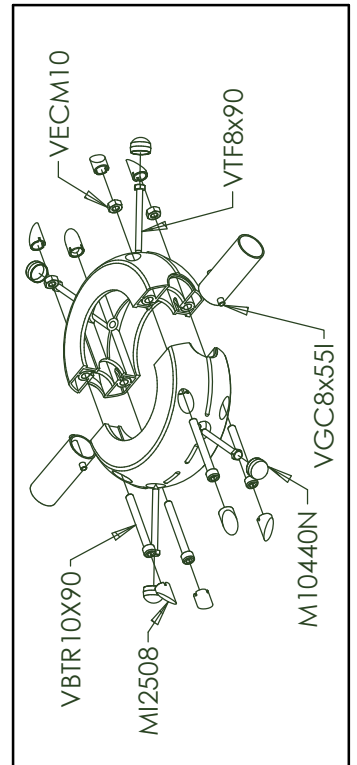
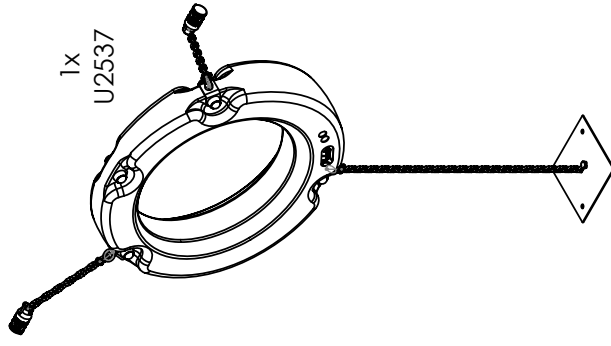
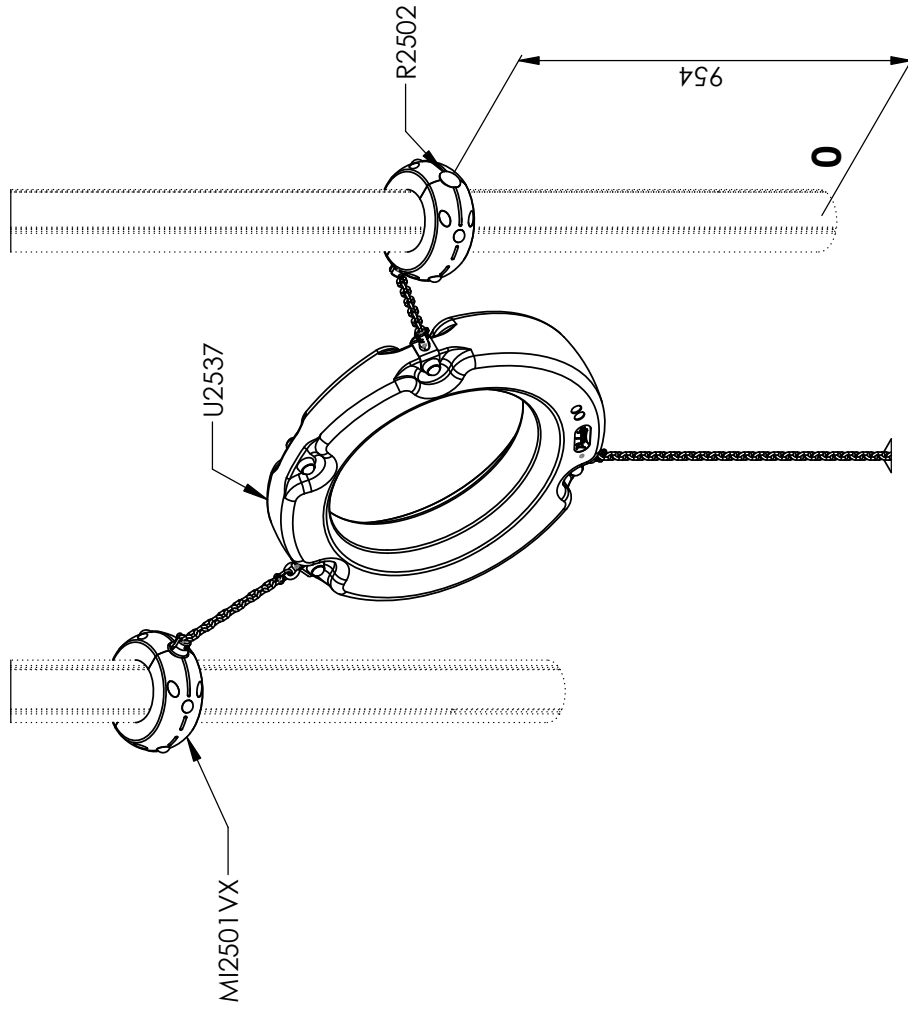


MI2502VX X 2

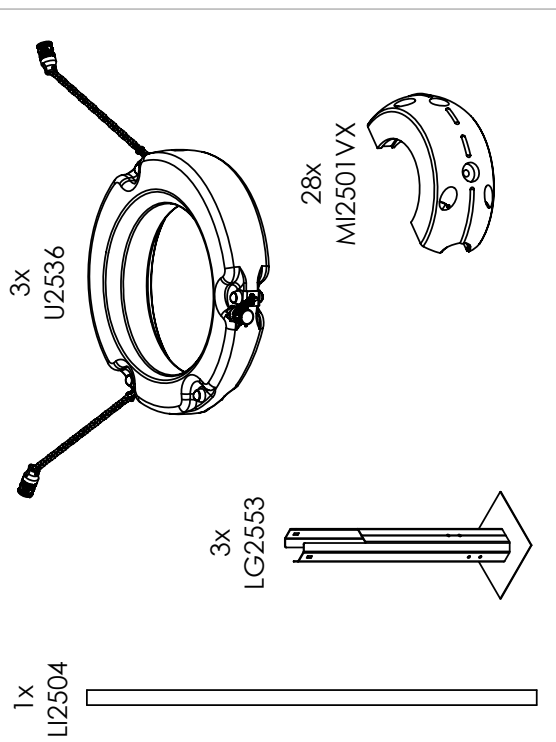
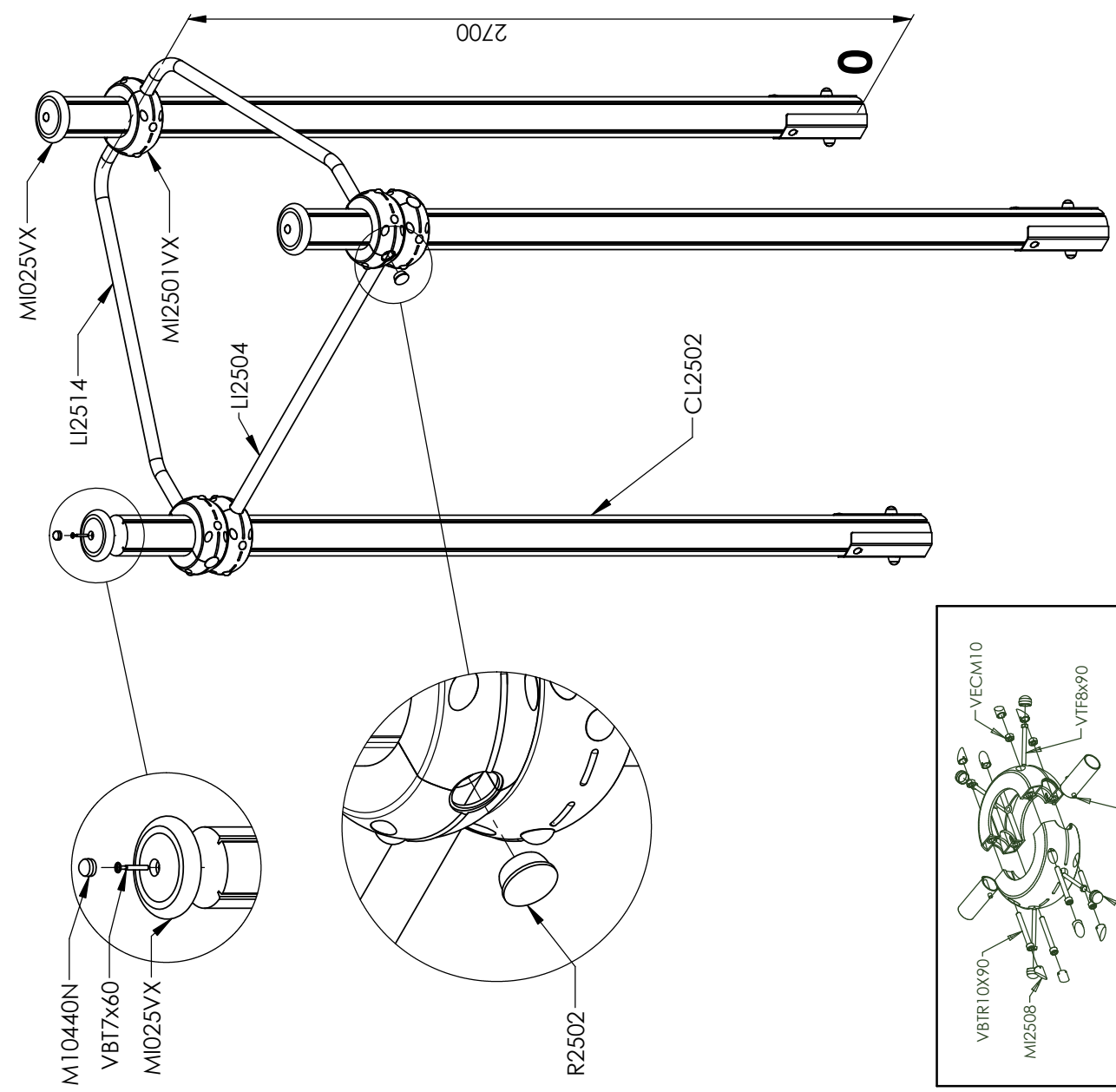


MI2501VX x 8

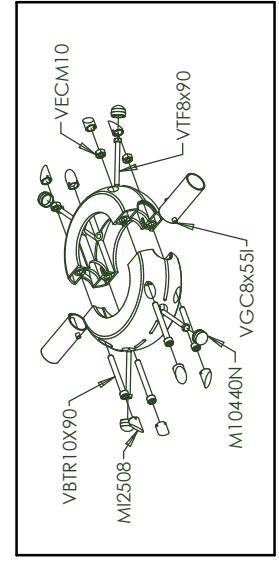
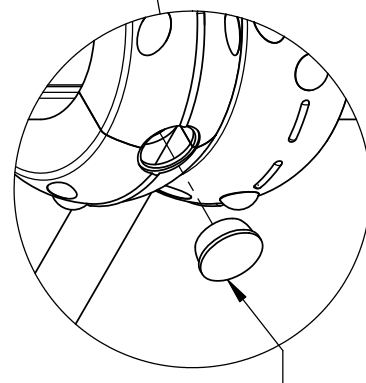
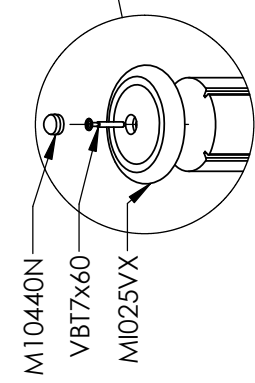
	VECM10	16
	VBTR 10x90	16
	VTF 8x90	16
	MI2503N	4
	M10440N	20
	VEFM10	4
	MI 2508VX	32
	R 2502	4

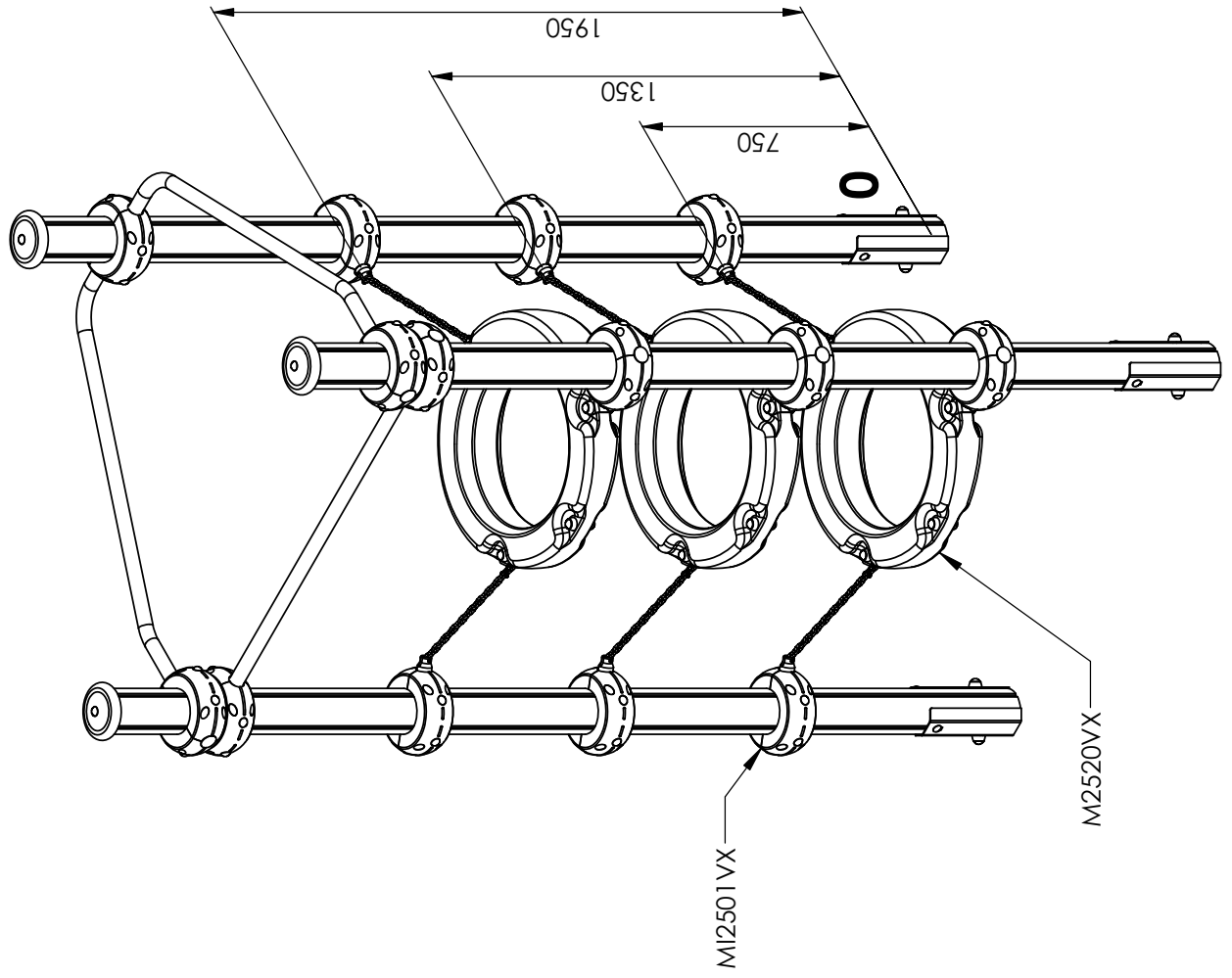
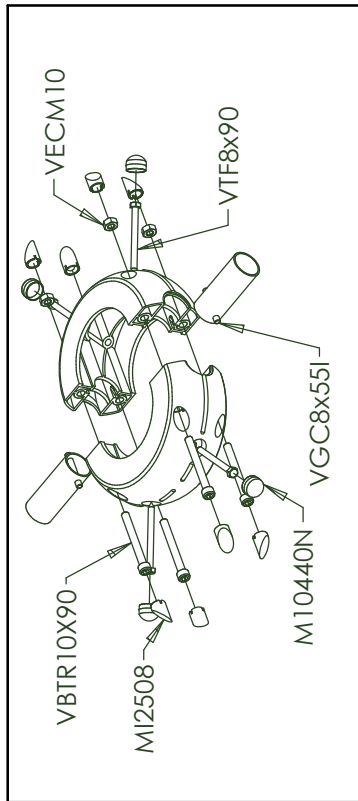


M10440N	8
MI2501VX	4
MI2508	16
R2502	2
VBTR10X90	8
VECM10	8
VTF8x90	8
U2537	1

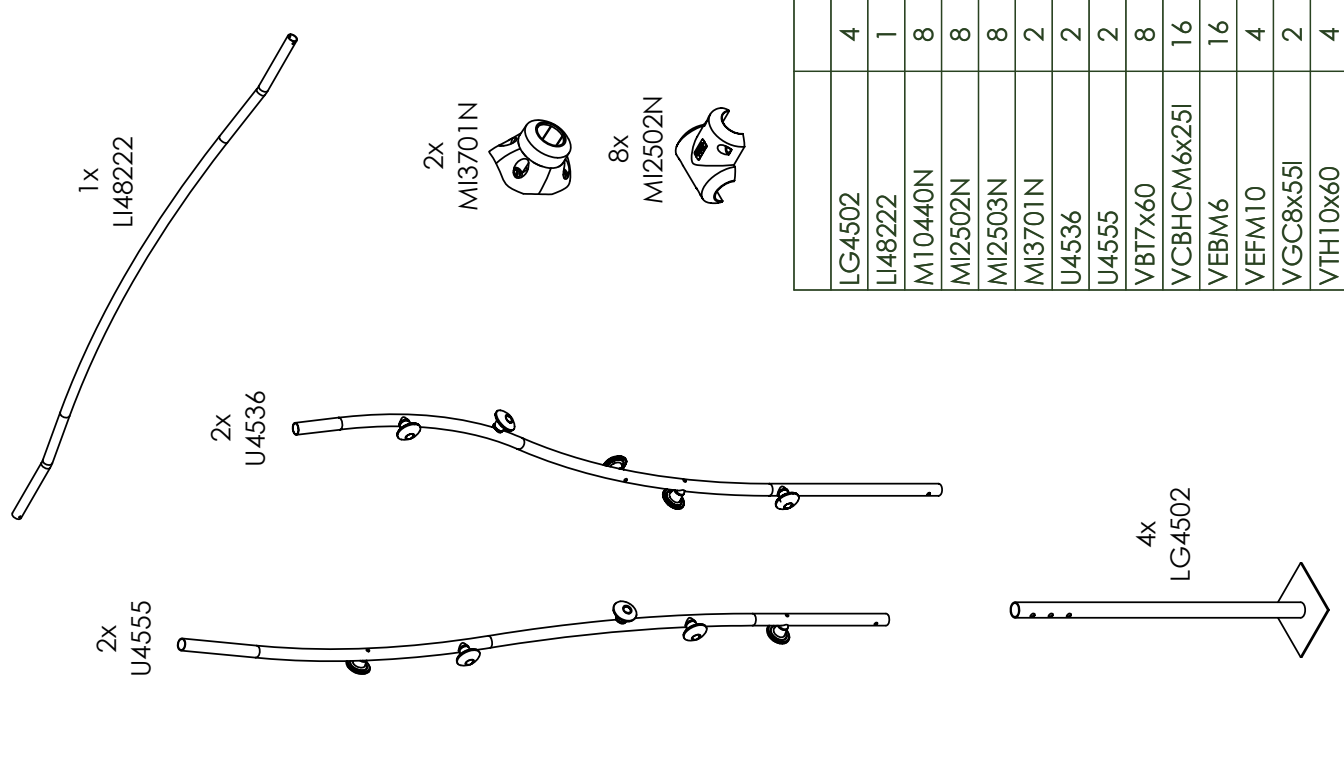
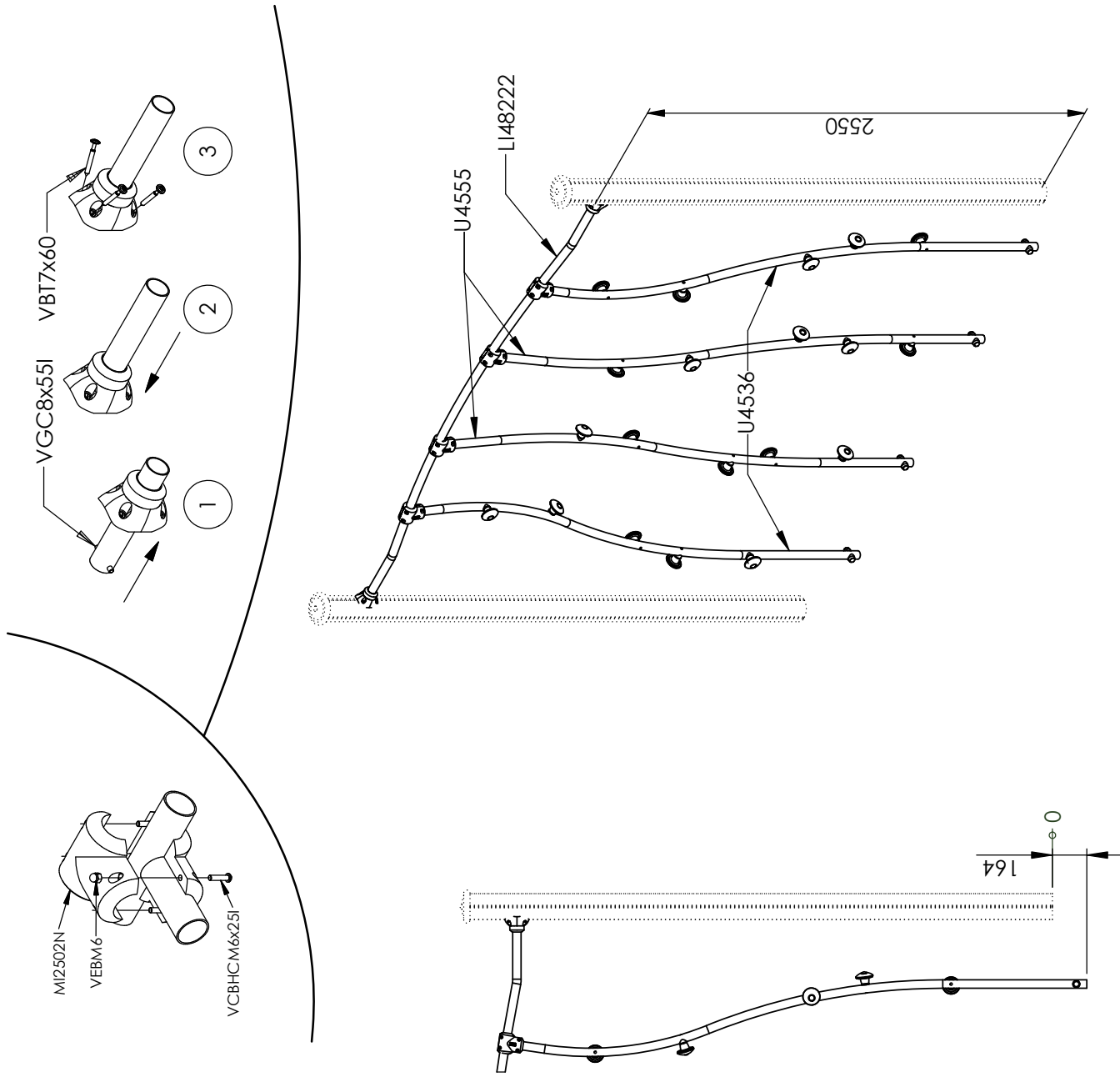


CL2502	3
LG2553	3
LI2504	1
LI2514	2
M10310N	9
M10440N	68
MI025VX	3
MI2501VX	28
MI2508	112
R2502	13
U2536	3
VBT7x60	3
VBTR10X90	56
VECM10	56
VEFM10	3
VTF10x60	6
VTH6x60 AUTO	56
VTRCC10x140	3

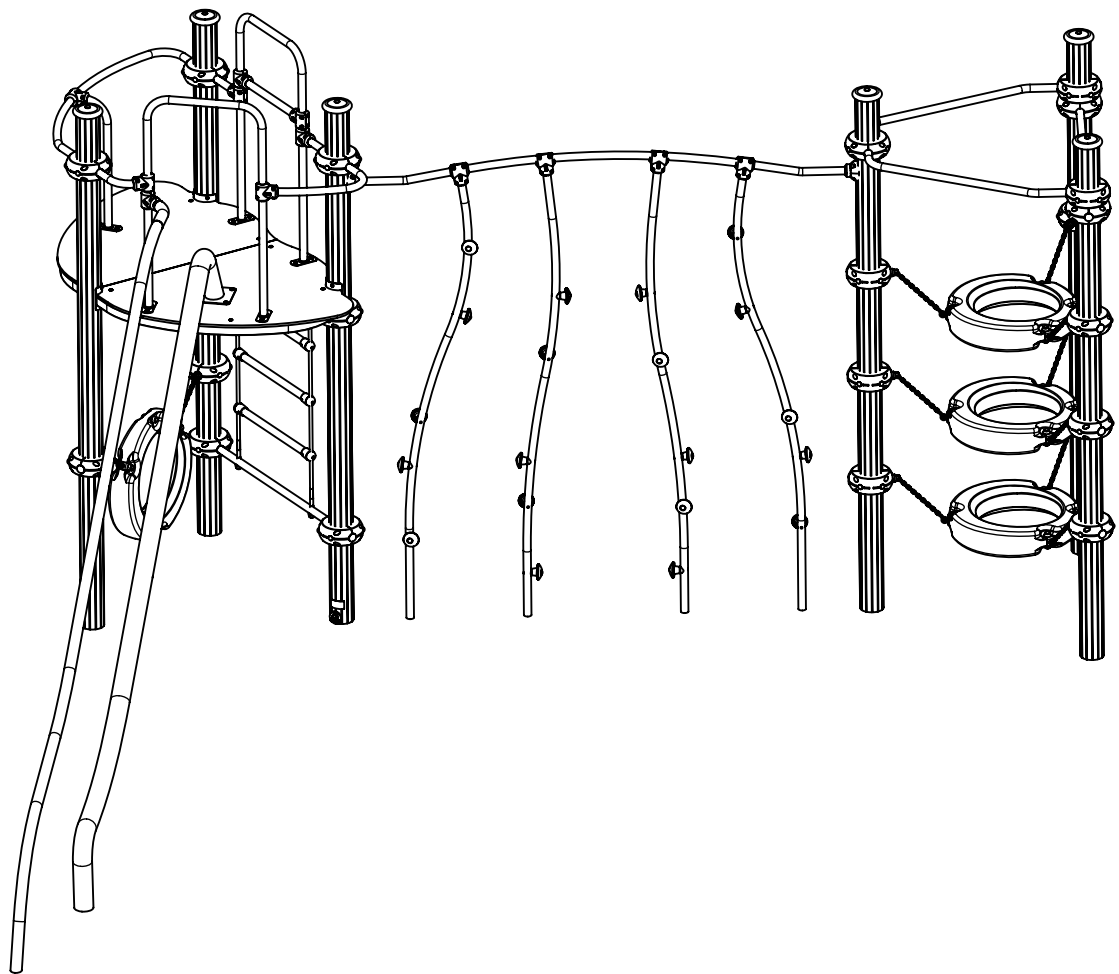








LG4502	4
LI48222	1
M10440N	8
MI2502N	8
MI2503N	8
MI3701N	2
U4536	2
U4555	2
VB7x60	8
VCBHC6x25I	16
VEBM6	16
VEFM10	4
VGC8x55I	2
VTH10x60	4





N°		
1	0.6 m	9 m <sup>2</sup>
2	1.95 m	15 m <sup>2</sup>
3	2.3 m	7 m <sup>2</sup>
4	2.72 m	33 m <sup>2</sup>

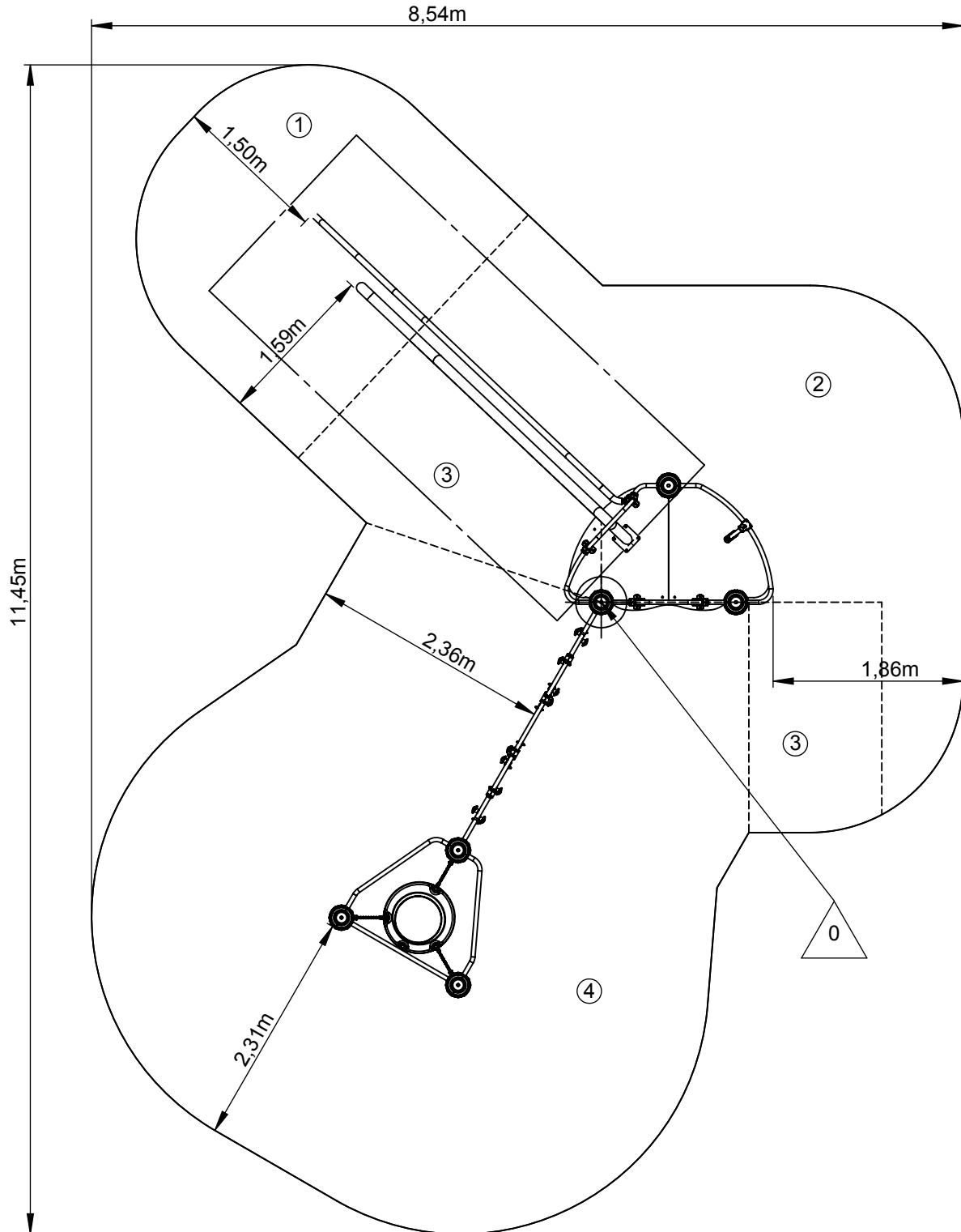
— Zone d'impact  
Impact area  
Area de impacto  
Fallraum  
Valzone

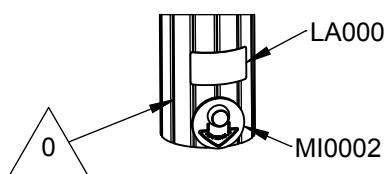
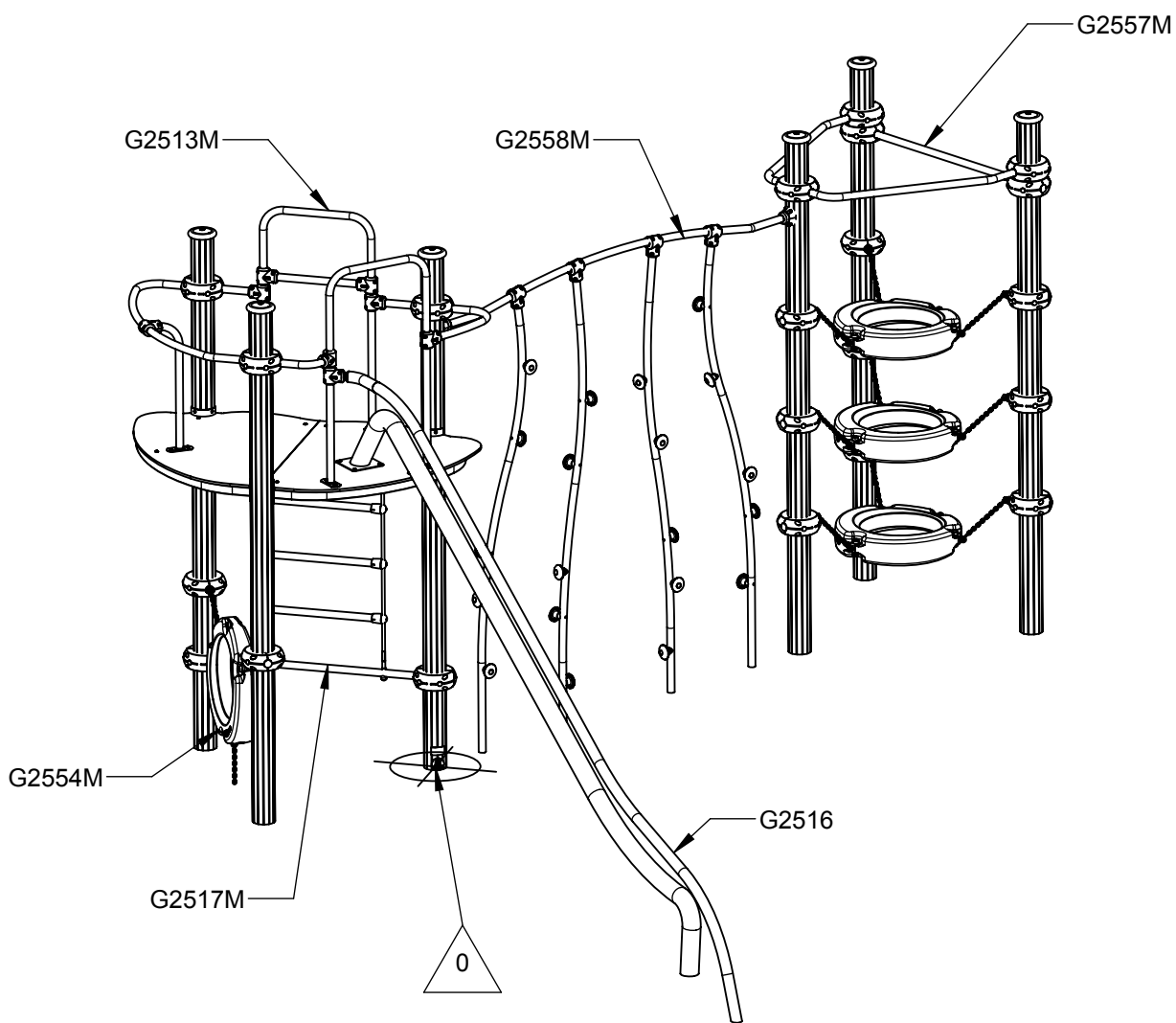
- - - Espace libre  
Free space  
Espacio libre  
Freiraum  
Vrije ruimte



Point de référence  
Setting out point  
Punto de referencia  
Bezugspunkt  
Referentiepunt

EN1176-1 : 2017

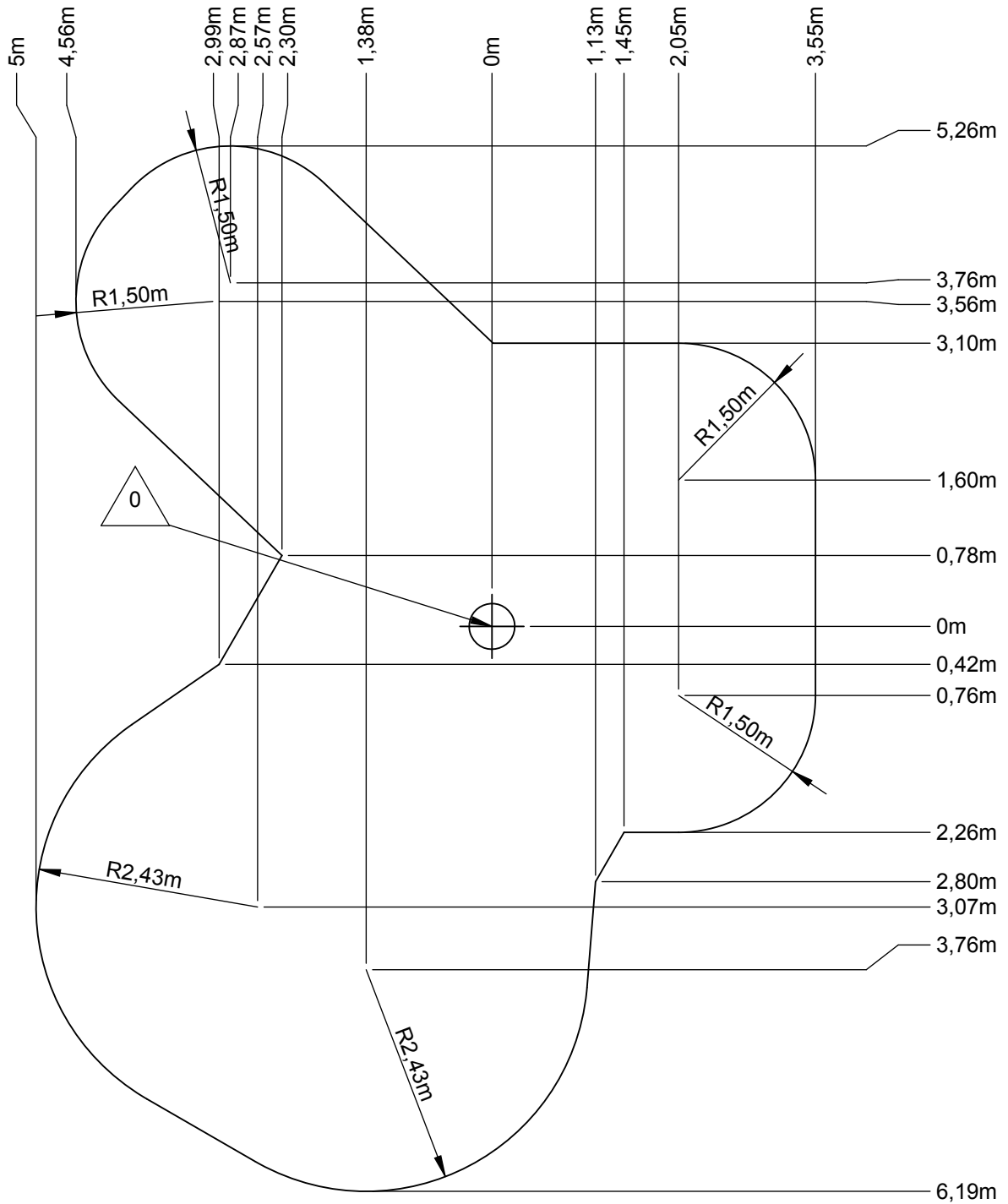




G2513M	1
G2516	1
G2517M	1
G2554M	1
G2557M	1
G2558M	1
LA000	1
M8310N	1
M8440N	1
MI0002	1
VTH6x30A	1

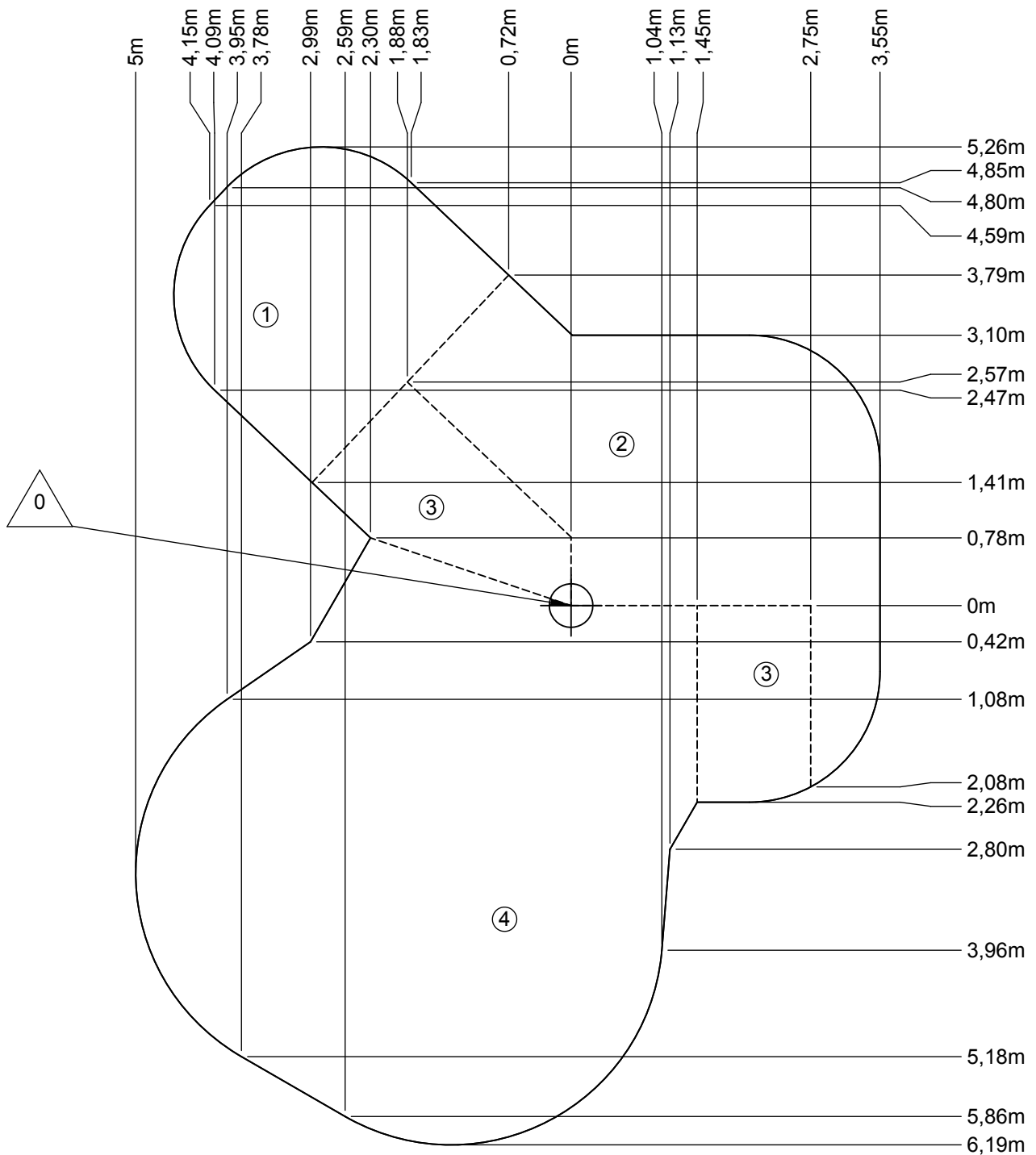
— Zone d'impact  
 Impact area  
 Area de impacto  
 Fallraum  
 Valzone

64 m<sup>2</sup>



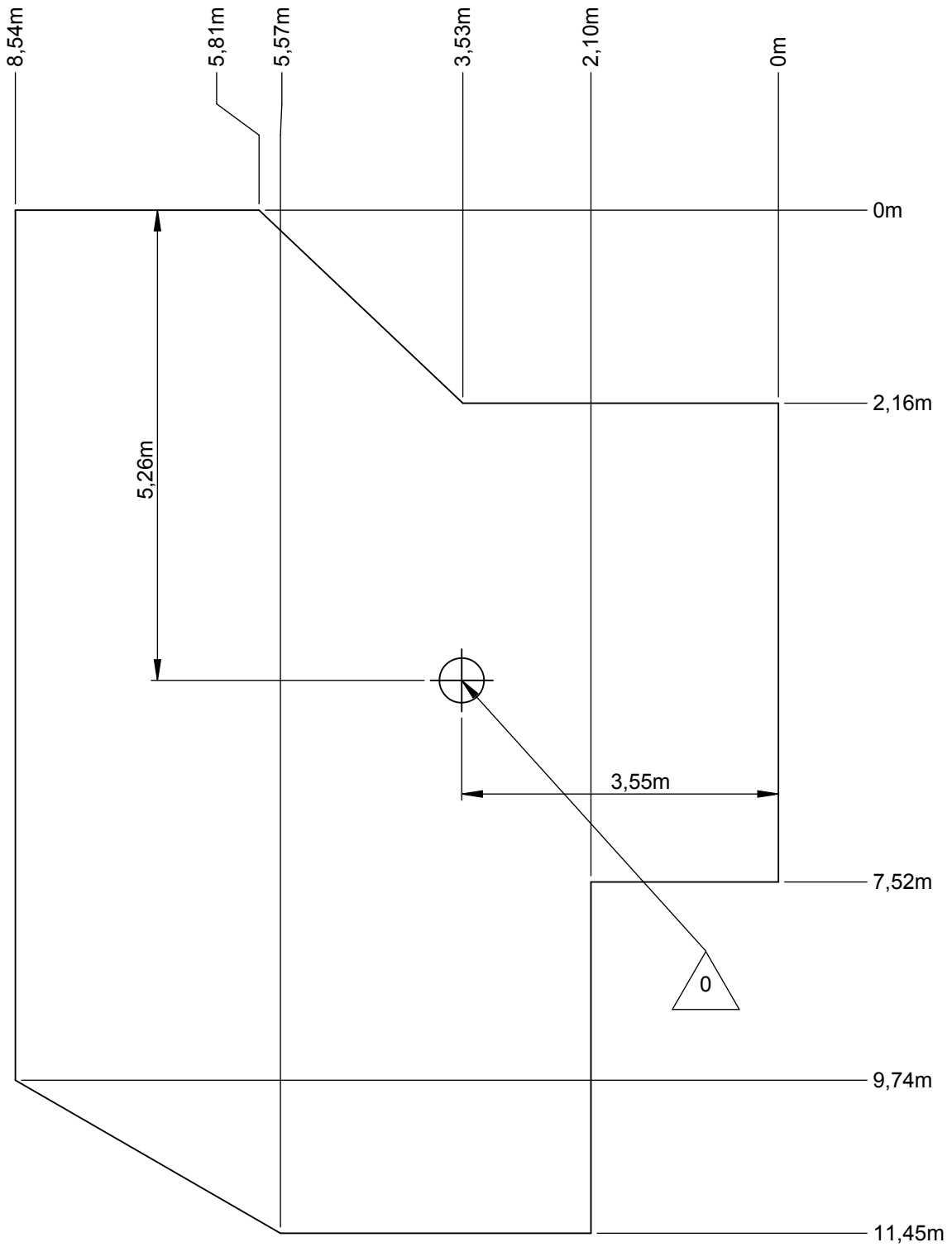
— Sol souple  
 — Wetpour  
 — Caucho continuo  
 — Synthetischer fallschutz  
 — Gietvloer

64 m<sup>2</sup>

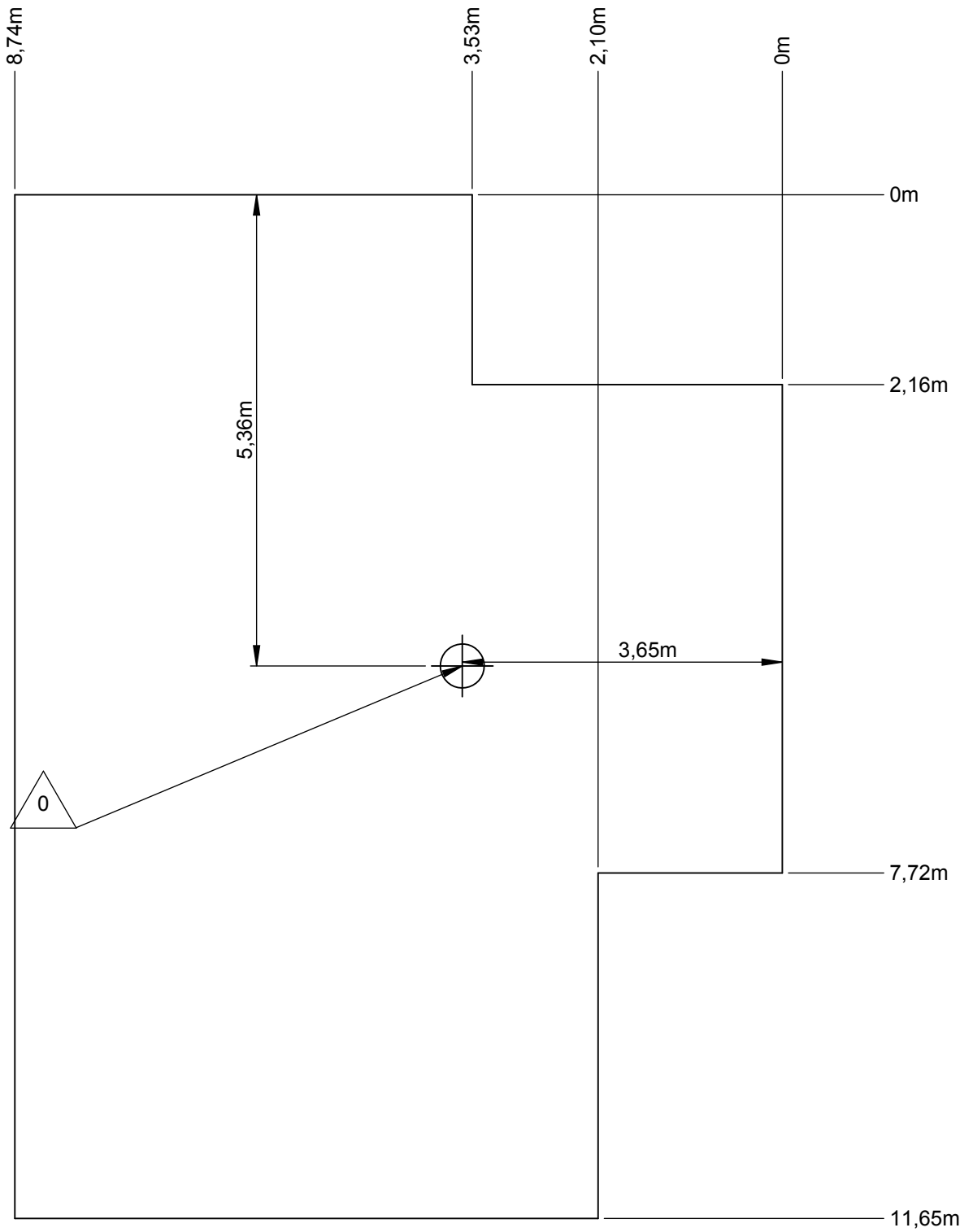


— Dalle béton  
 Concrete pad  
 Solera de hormigon  
 Beton bodenplatte  
 Betonnen bodemplaat

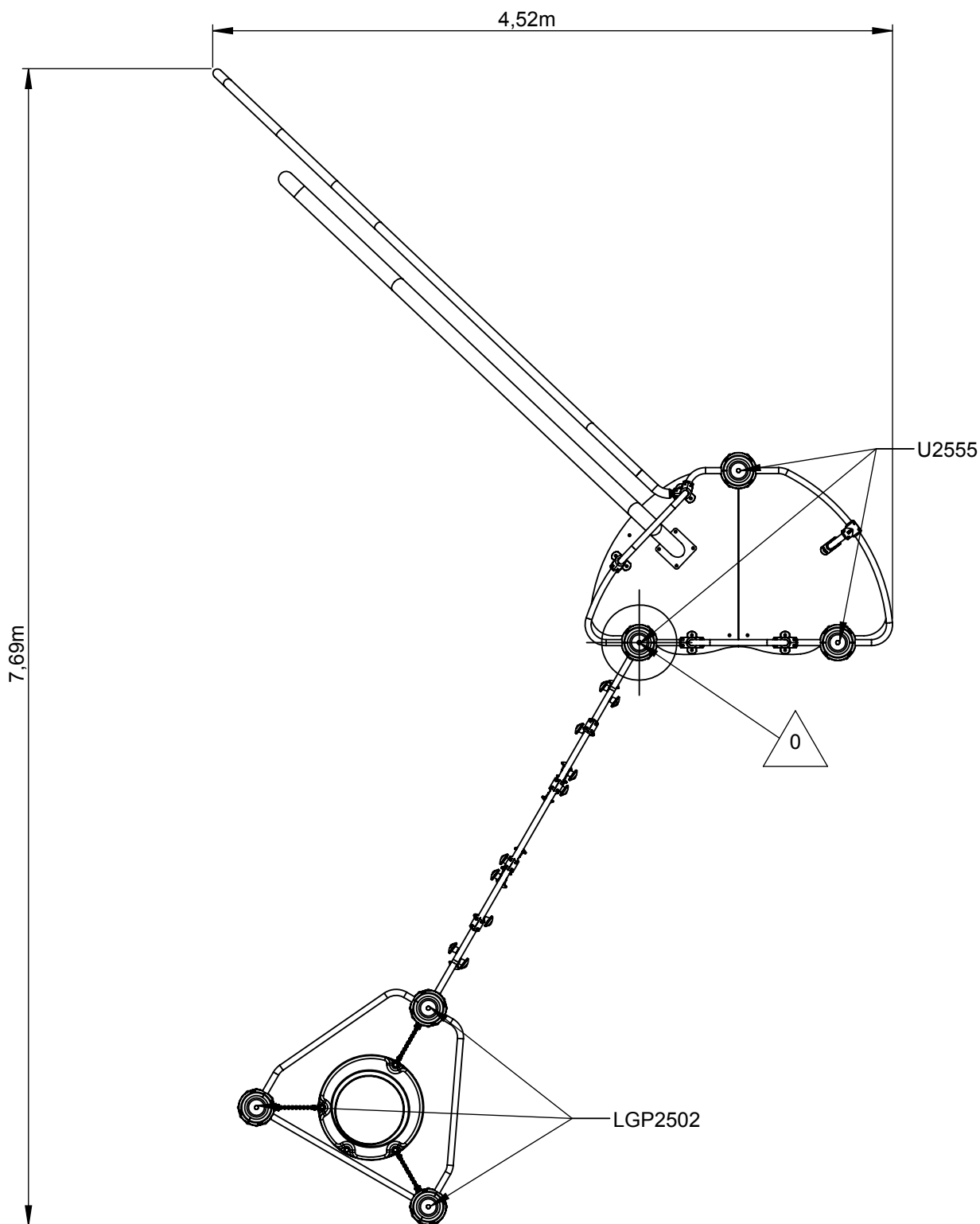
38 m  
 77 m<sup>2</sup>

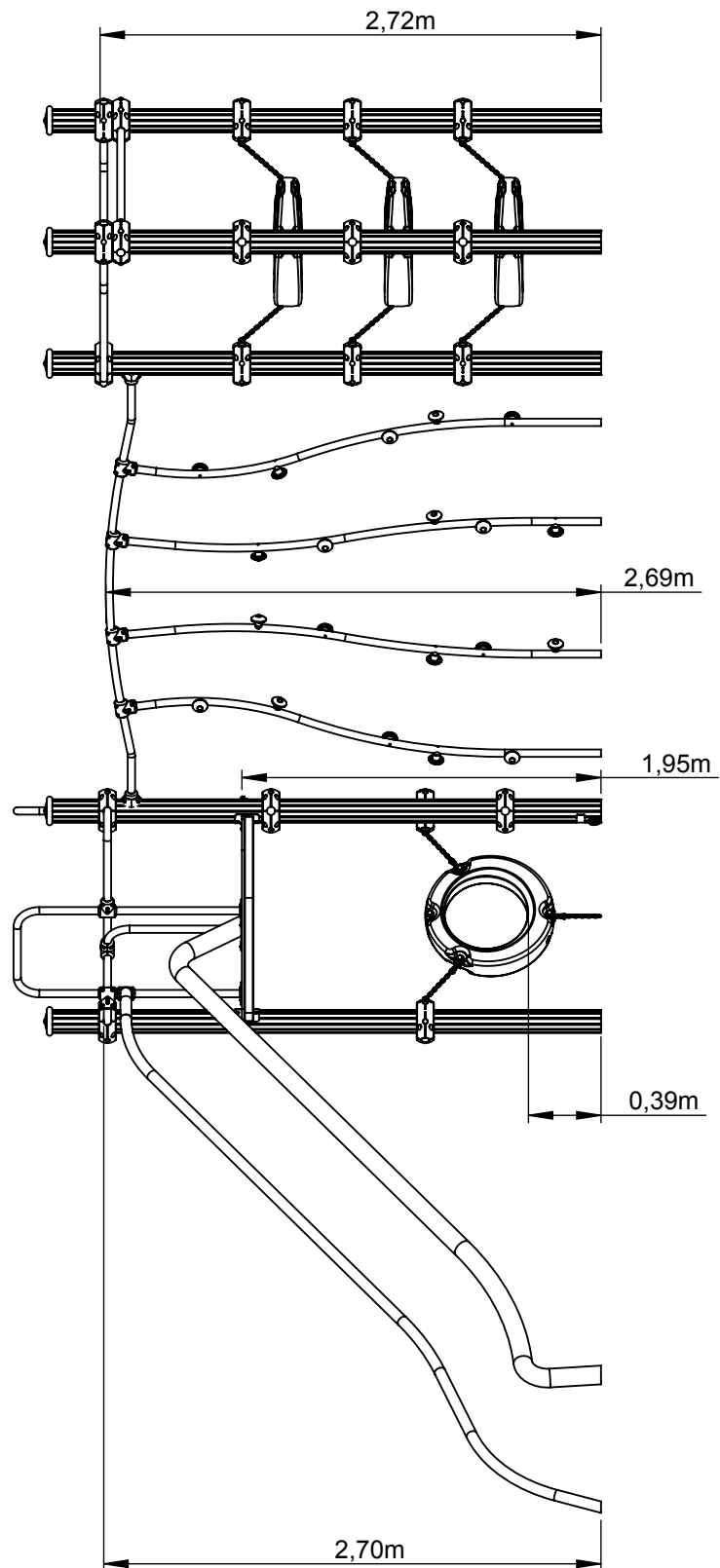


— Sol fluent  
 — Loos partucule material 42 m  
 — Arenero  
 — Loses Bodenmaterial 86 m<sup>2</sup>  
 — Los bodemmaterialaal

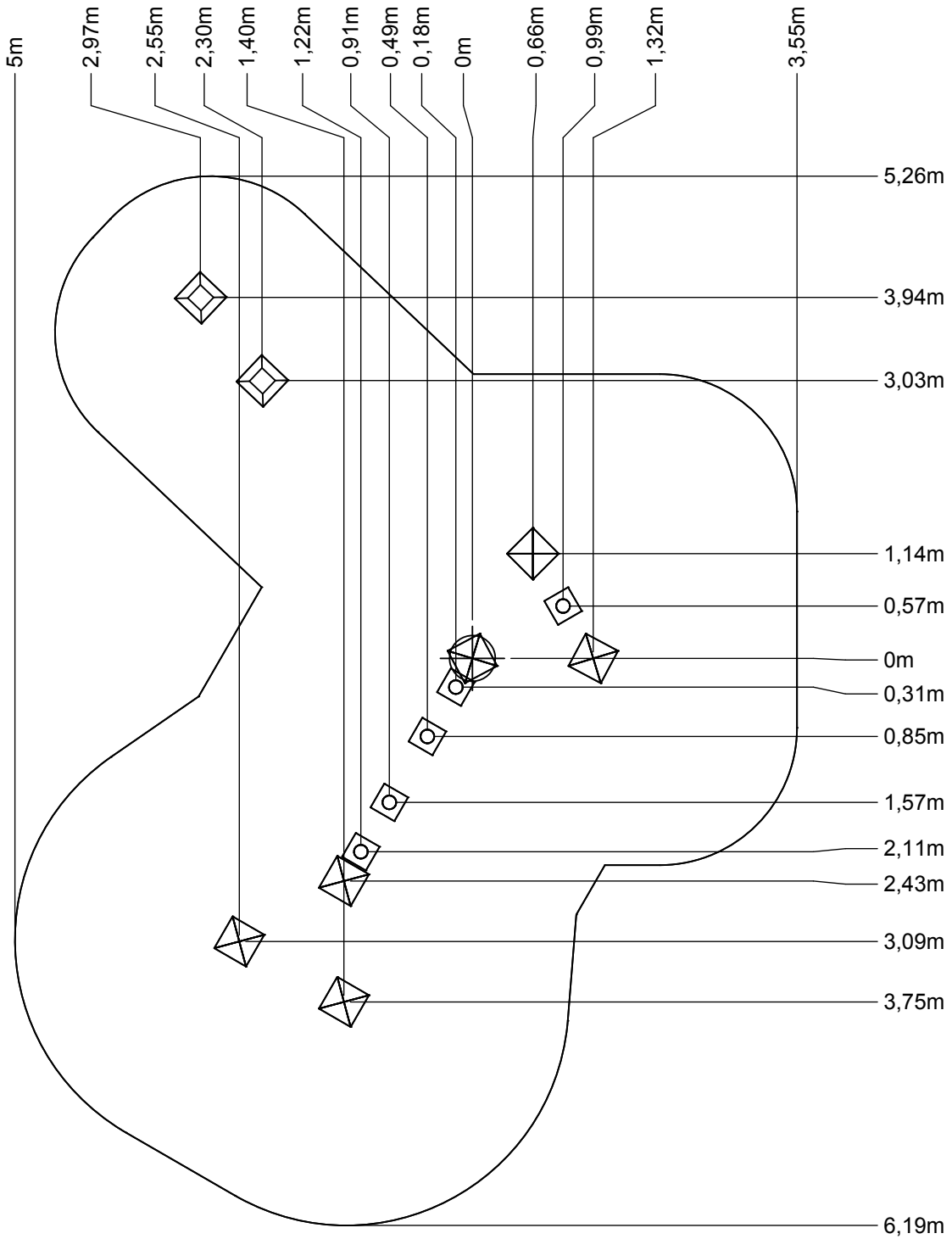







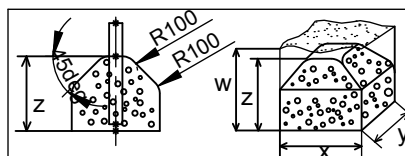







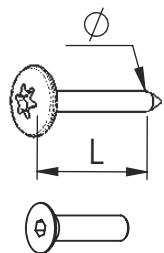
Implantation  
 Footing plan  
 Implantación  
 Fundomentplan  
 Funderingstekening



 x2  
 7H  
 0.8 m<sup>3</sup>



	x	y	z	w
	0.3	0.3	0.3	0.6
	0.4	0.4	0.6	0.8
	0.4	0.4	0.2	0.6



VBT 6 x 30  
 $\varnothing$   $\uparrow$  L (mm)

VFHC



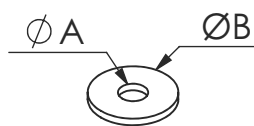
VEC M10  
 $\varnothing$



VEF



VEB

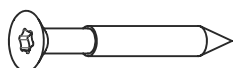


VR6x18  
 $\varnothing A$   $\varnothing B$

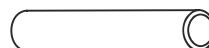
**1000 - 1800 tr/min**  
 Vitesse de rotation  
 Rotation speed

**14 N.m**  
 Couple de rupture  
 Torque of break

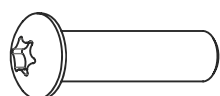
VTHA



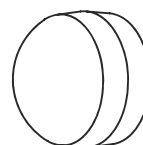
VWT



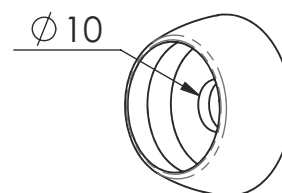
VGC



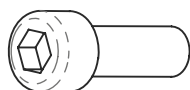
VCBHC



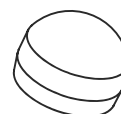
M10 440N



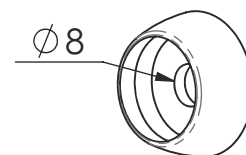
M10 310 N



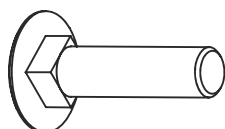
VBTR



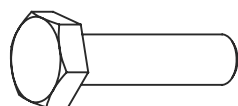
M8440N



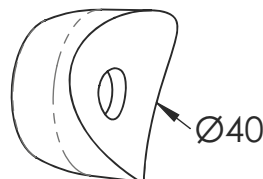
M8310N



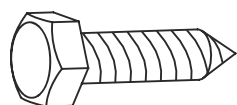
VTRCC



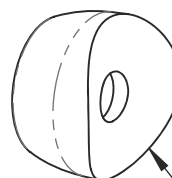
VTH



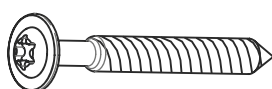
MI2503



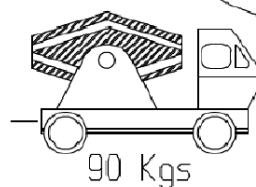
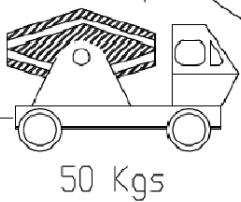
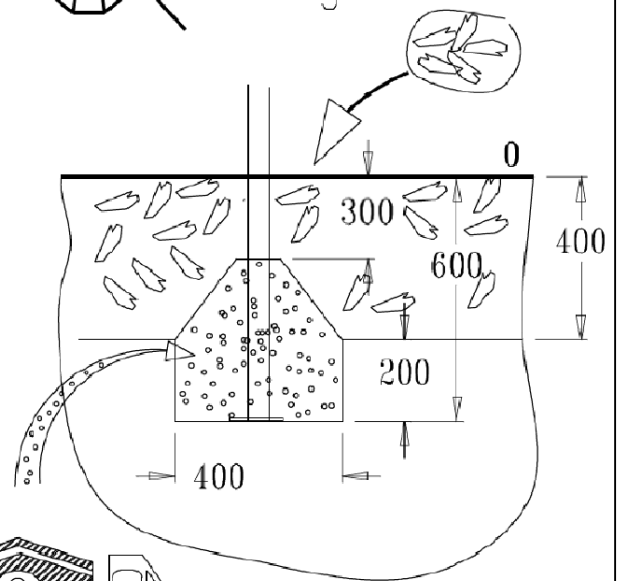
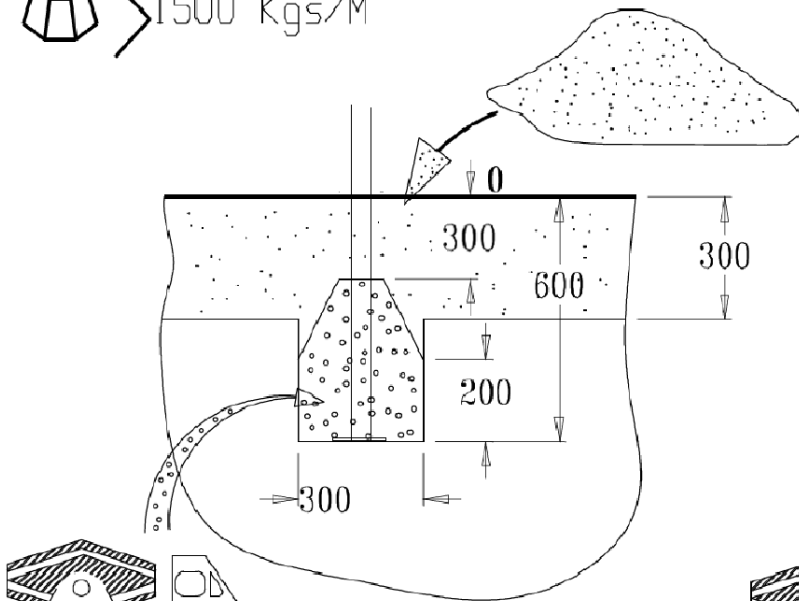
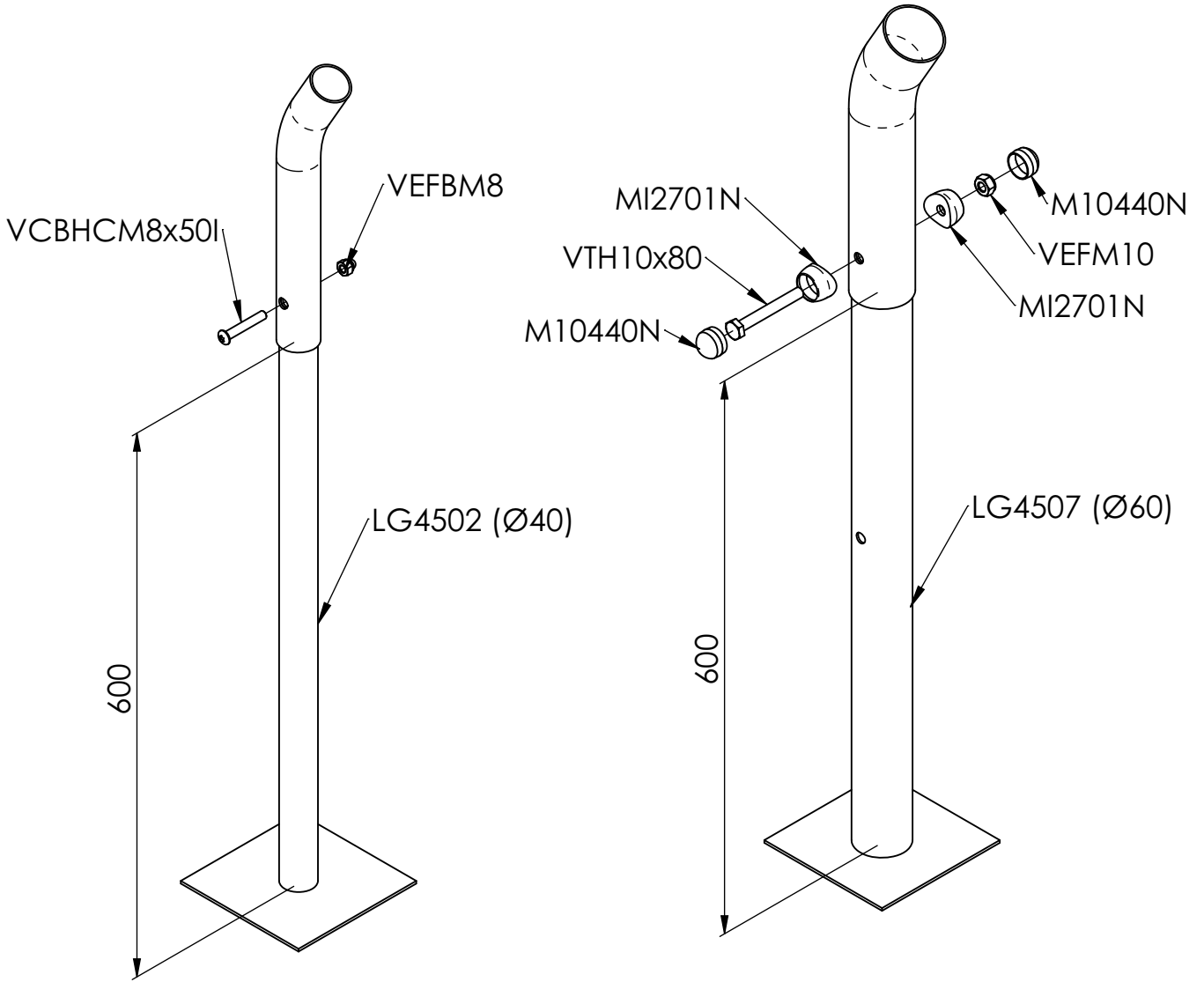
VTF

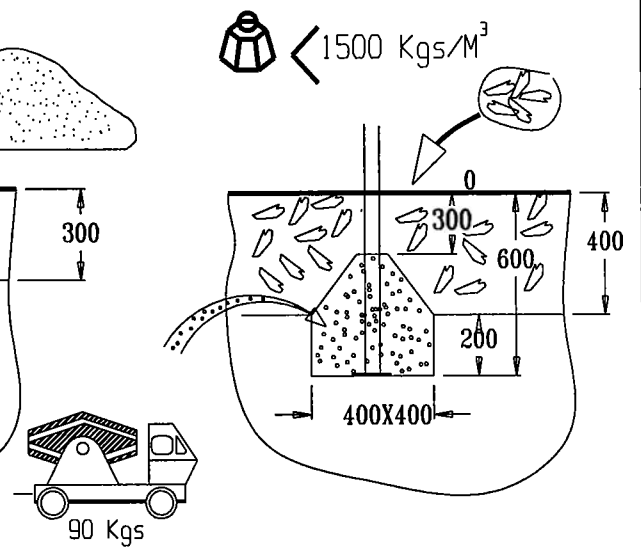
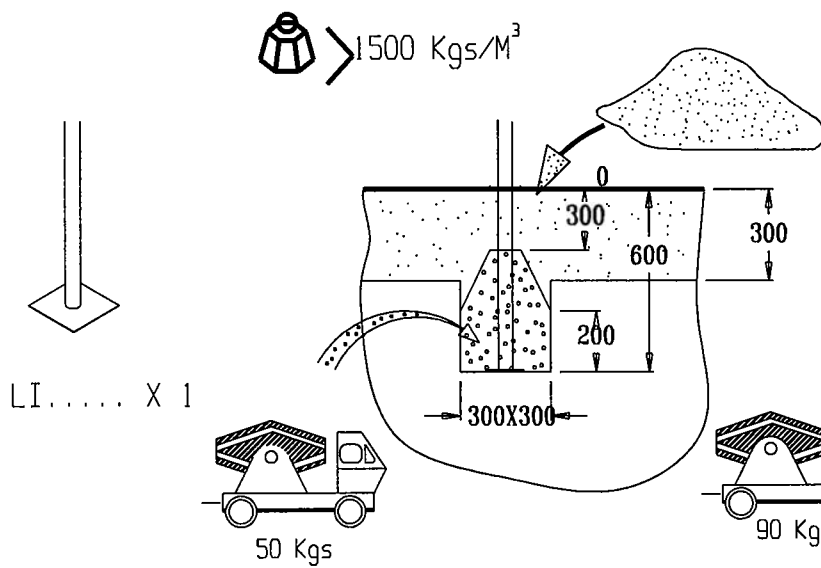
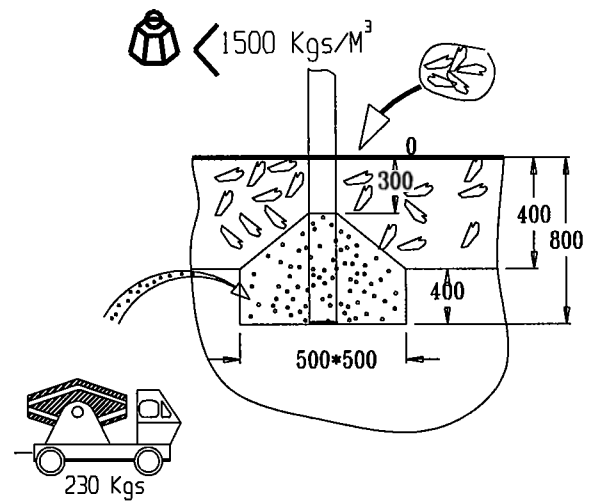
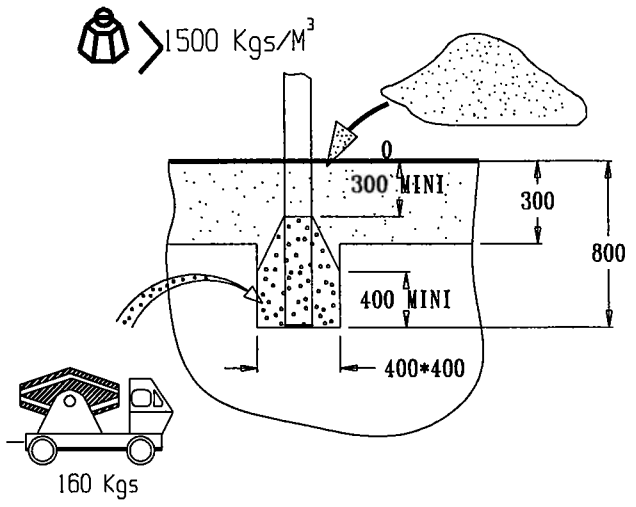
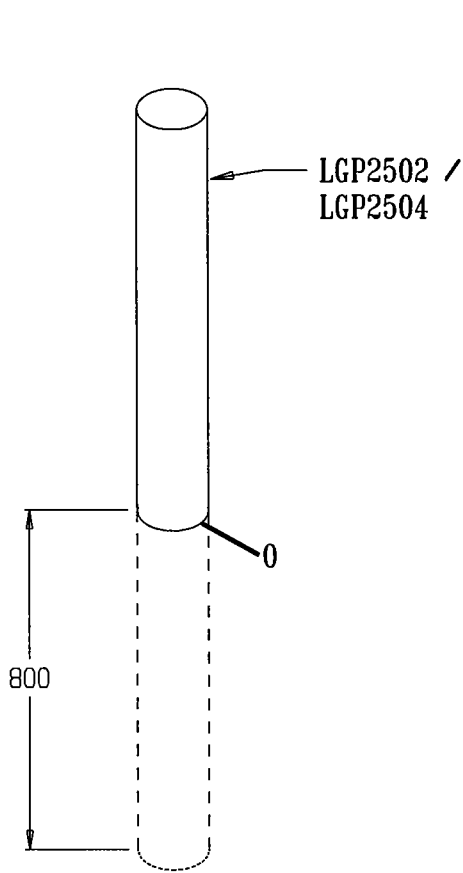


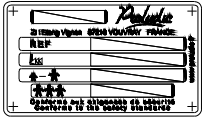
MI2701



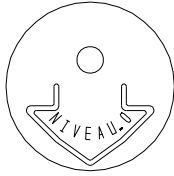
VBT



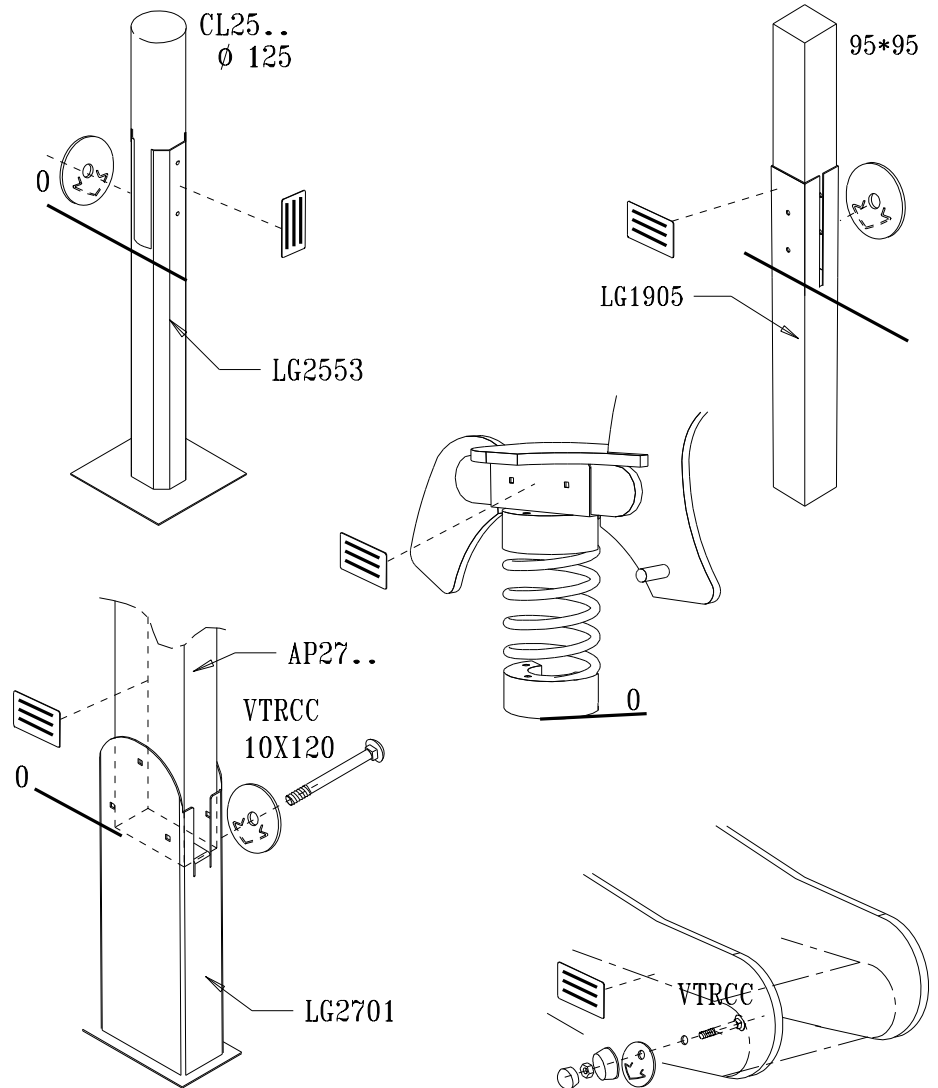
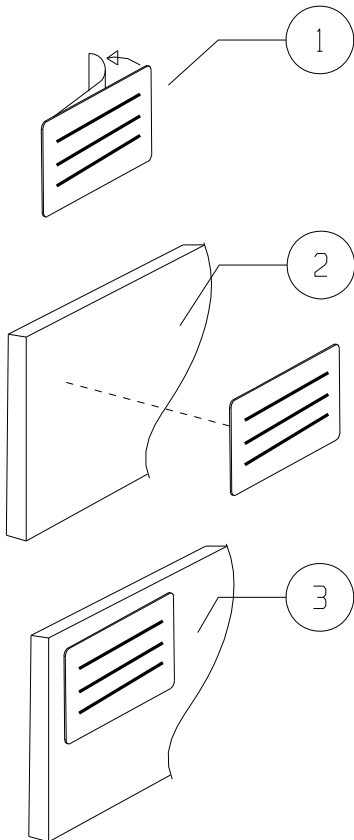
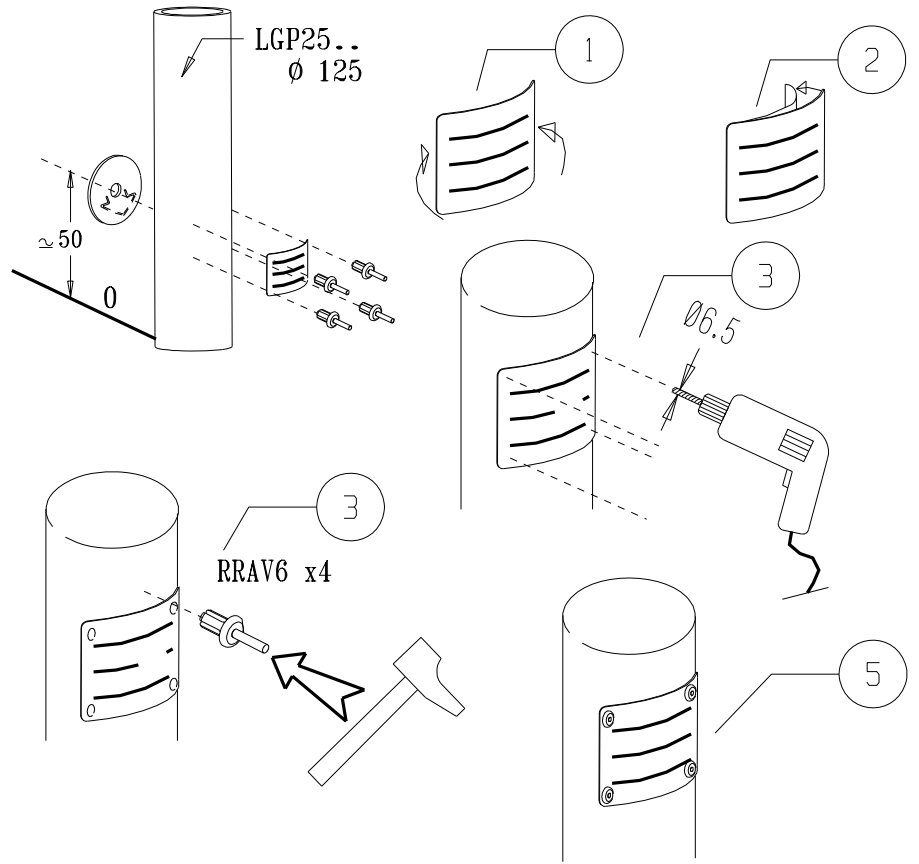


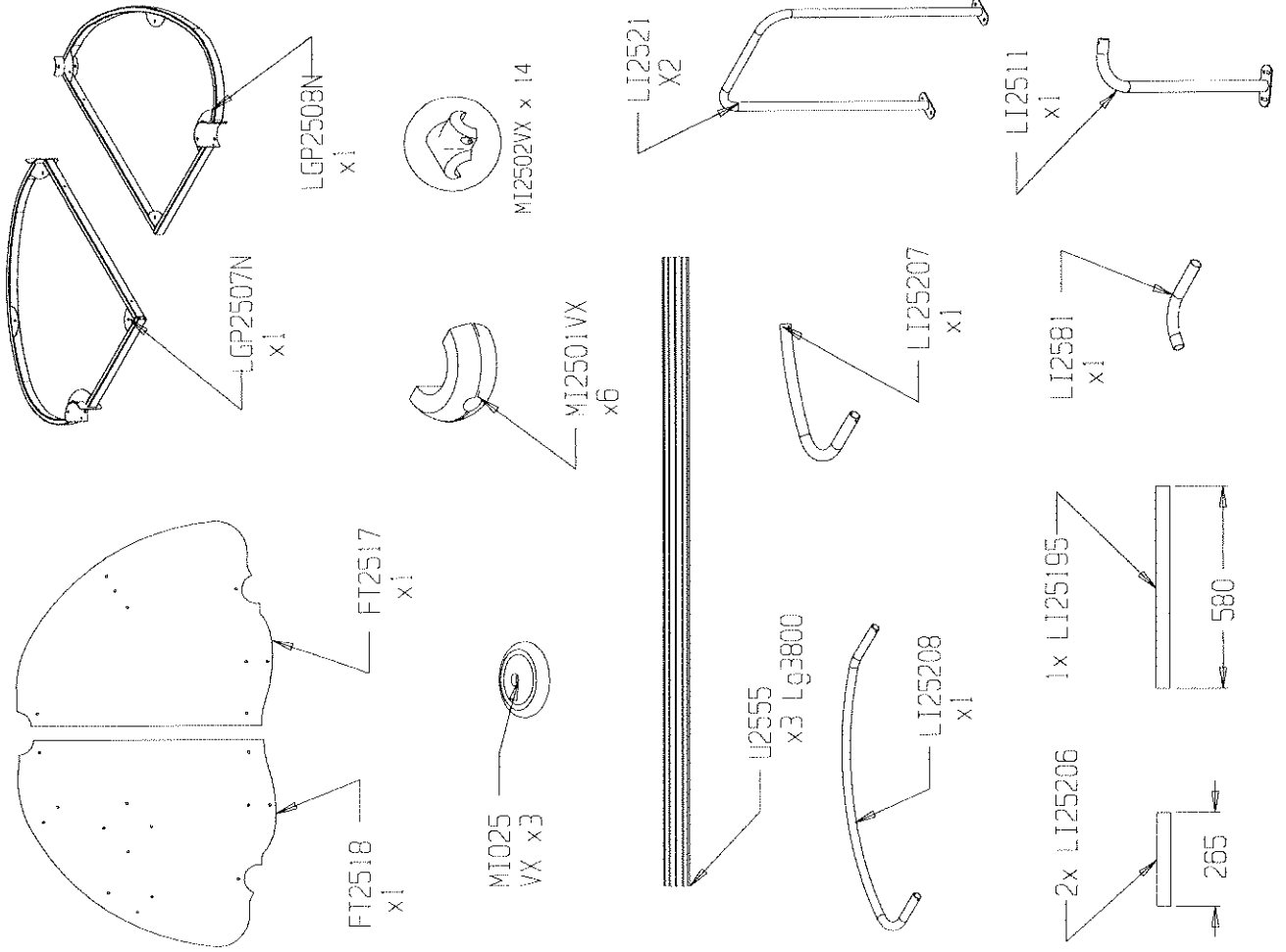
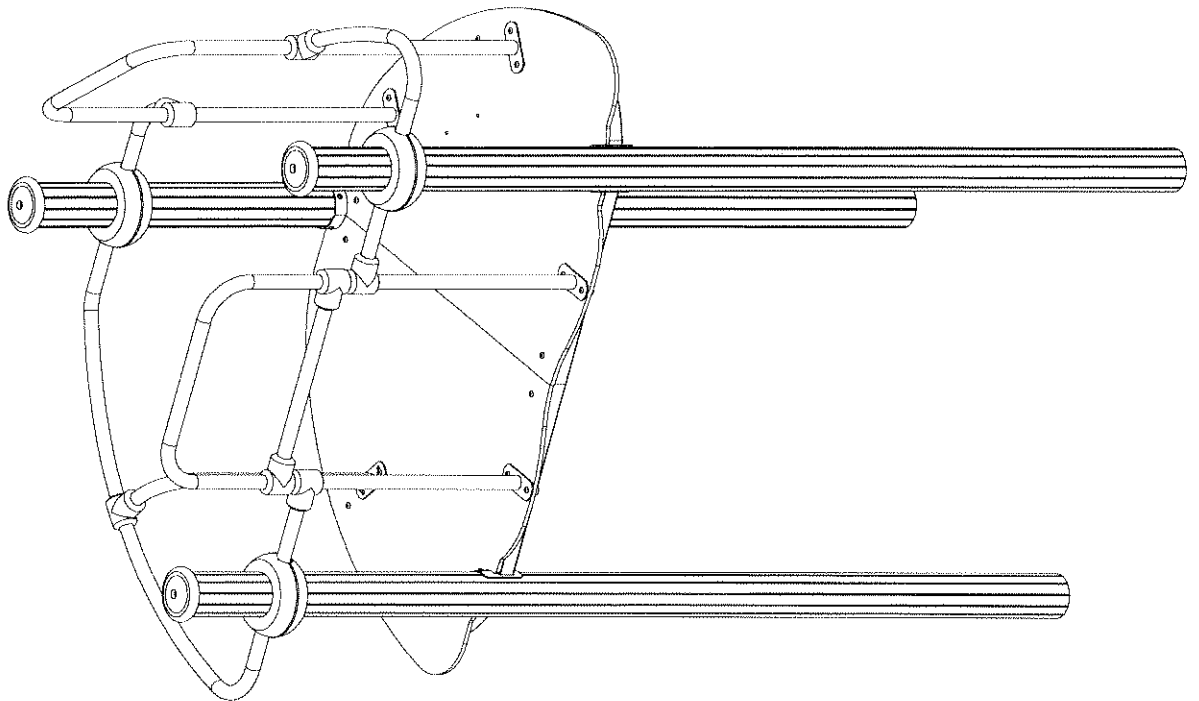


LA000

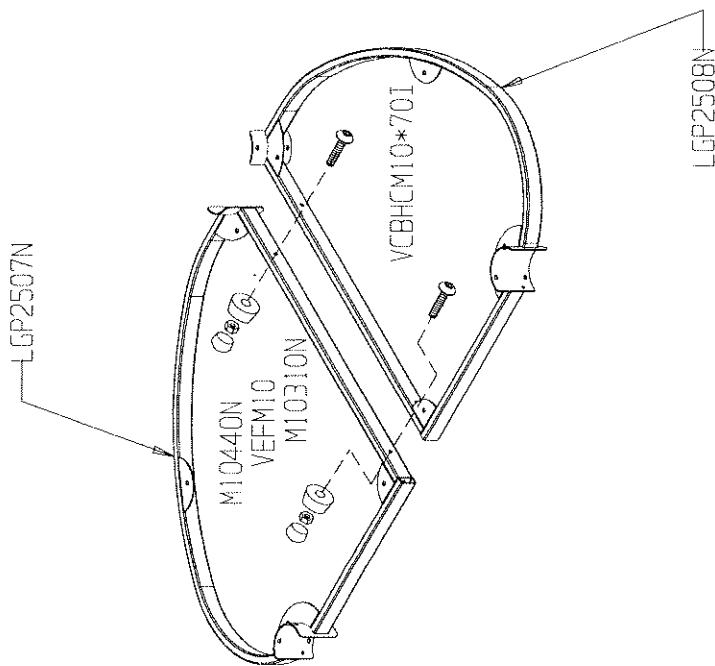


MI0002

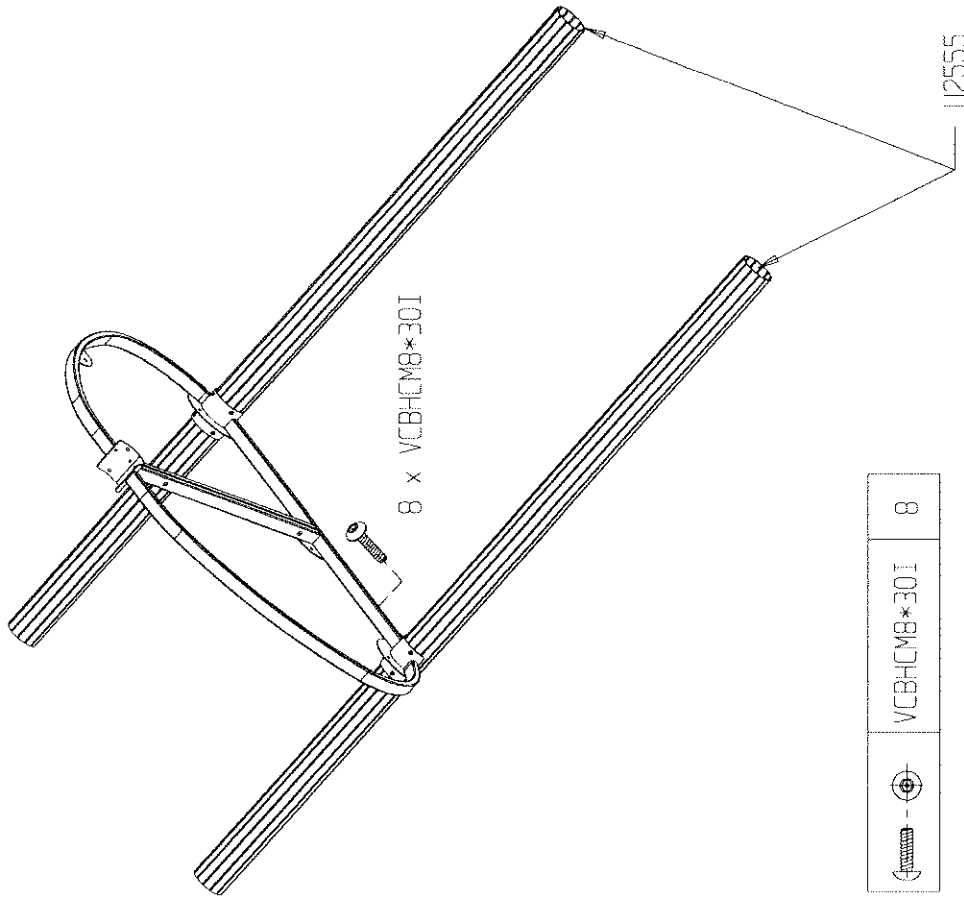




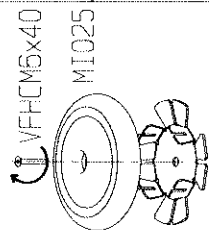




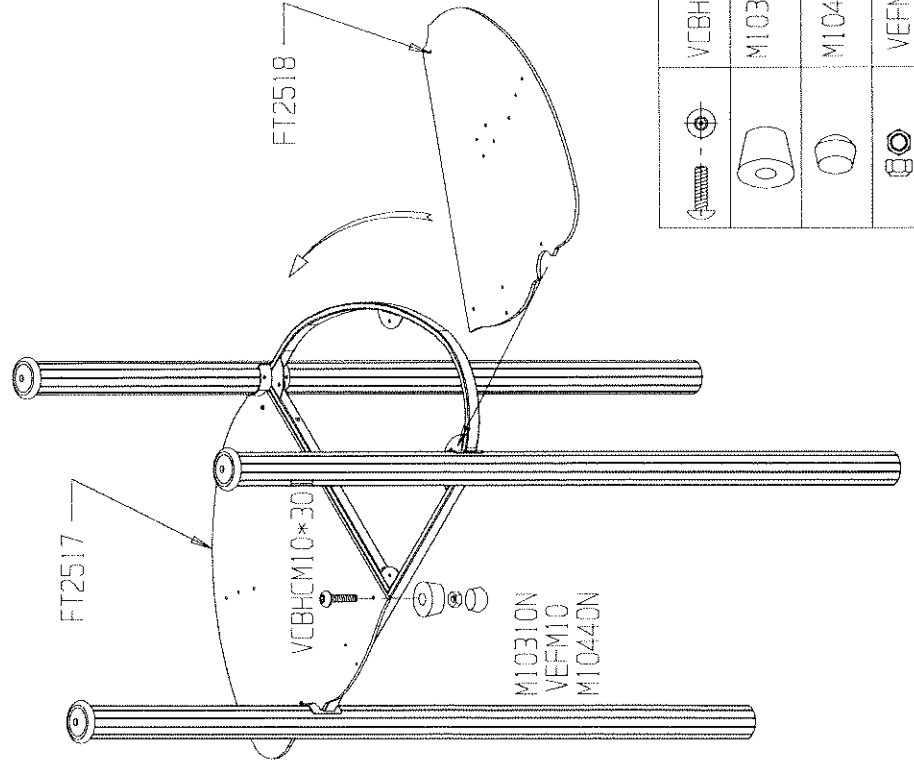
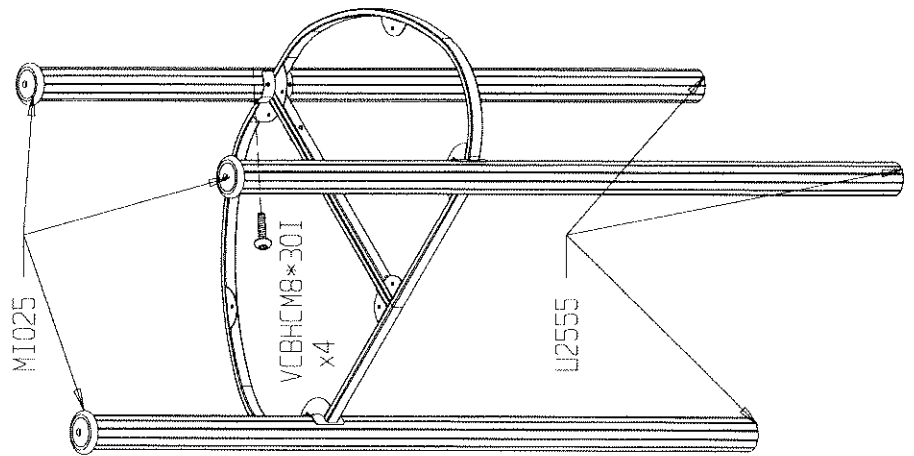
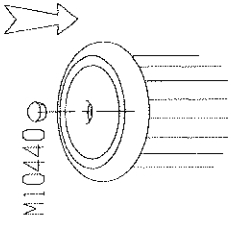
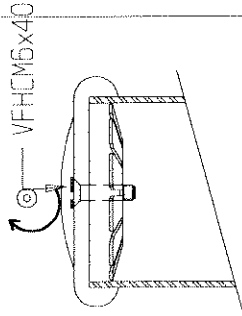
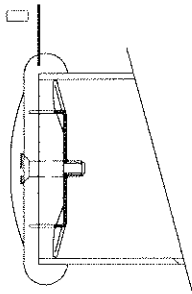
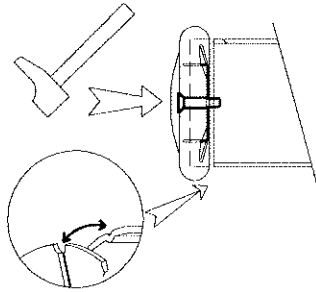
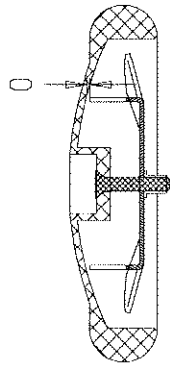
	M10310N	2
	M10440N	2
	VCBHC10*70I	2
	VEFM10	2



	VCBHC18*30I	8
--	-------------	---

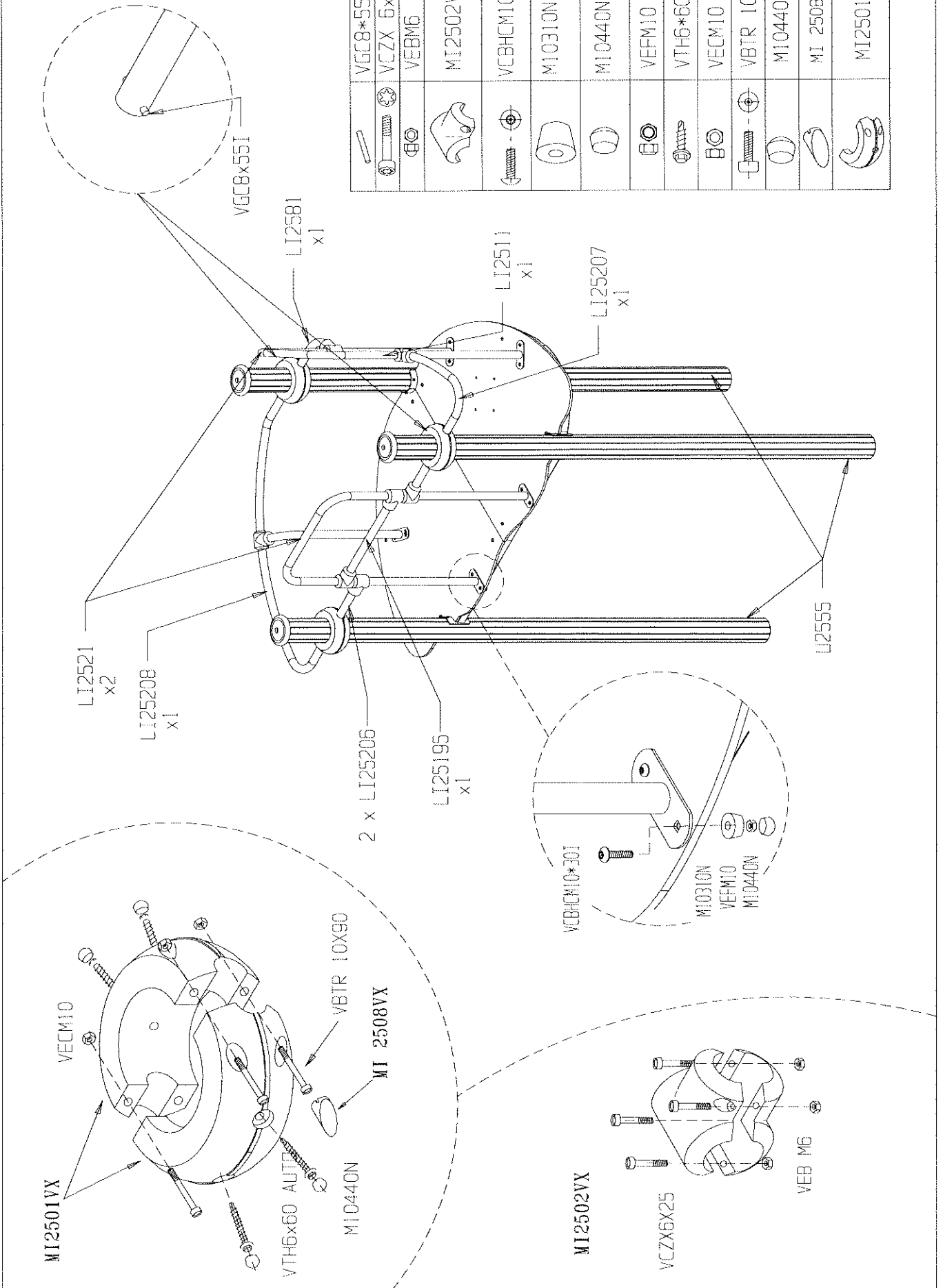


LG4412

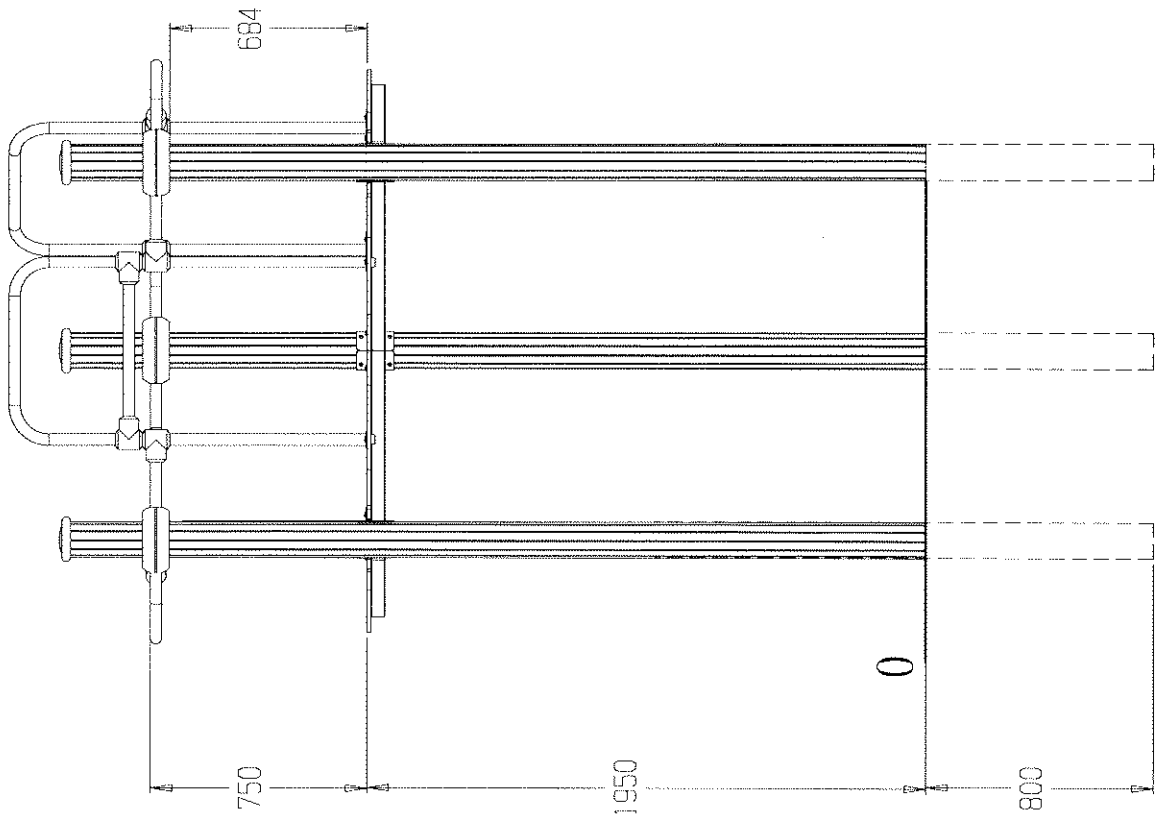
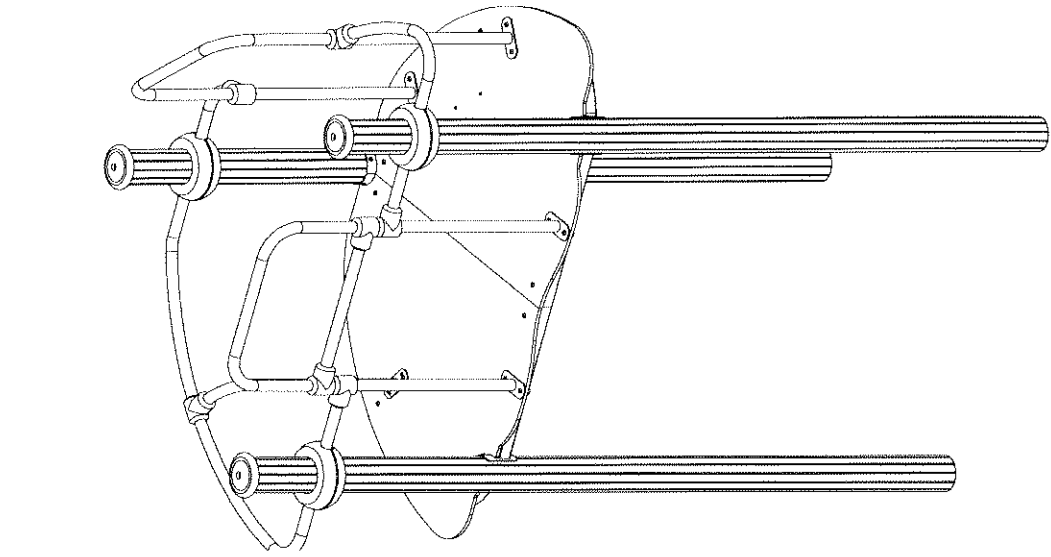


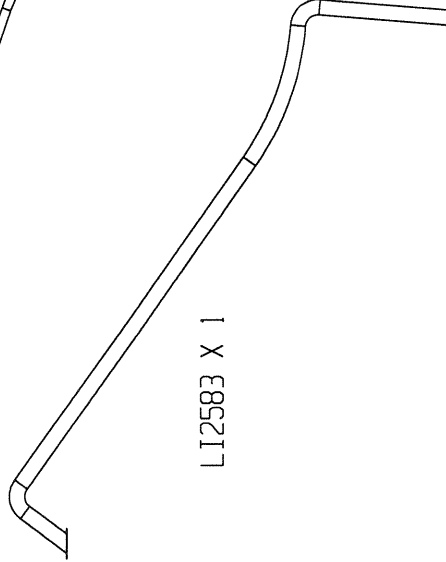
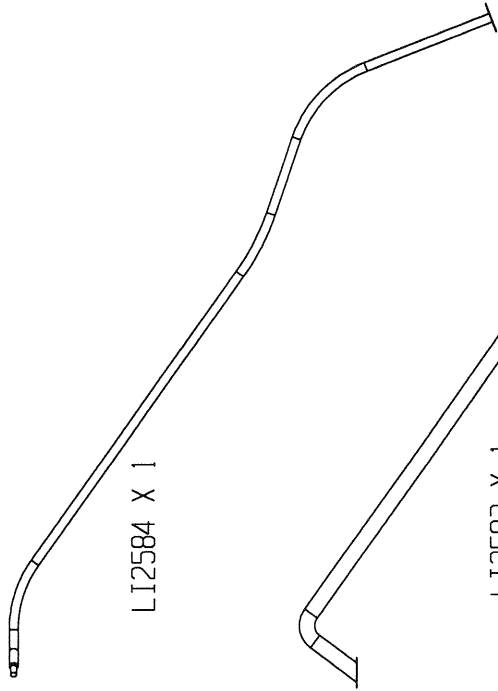
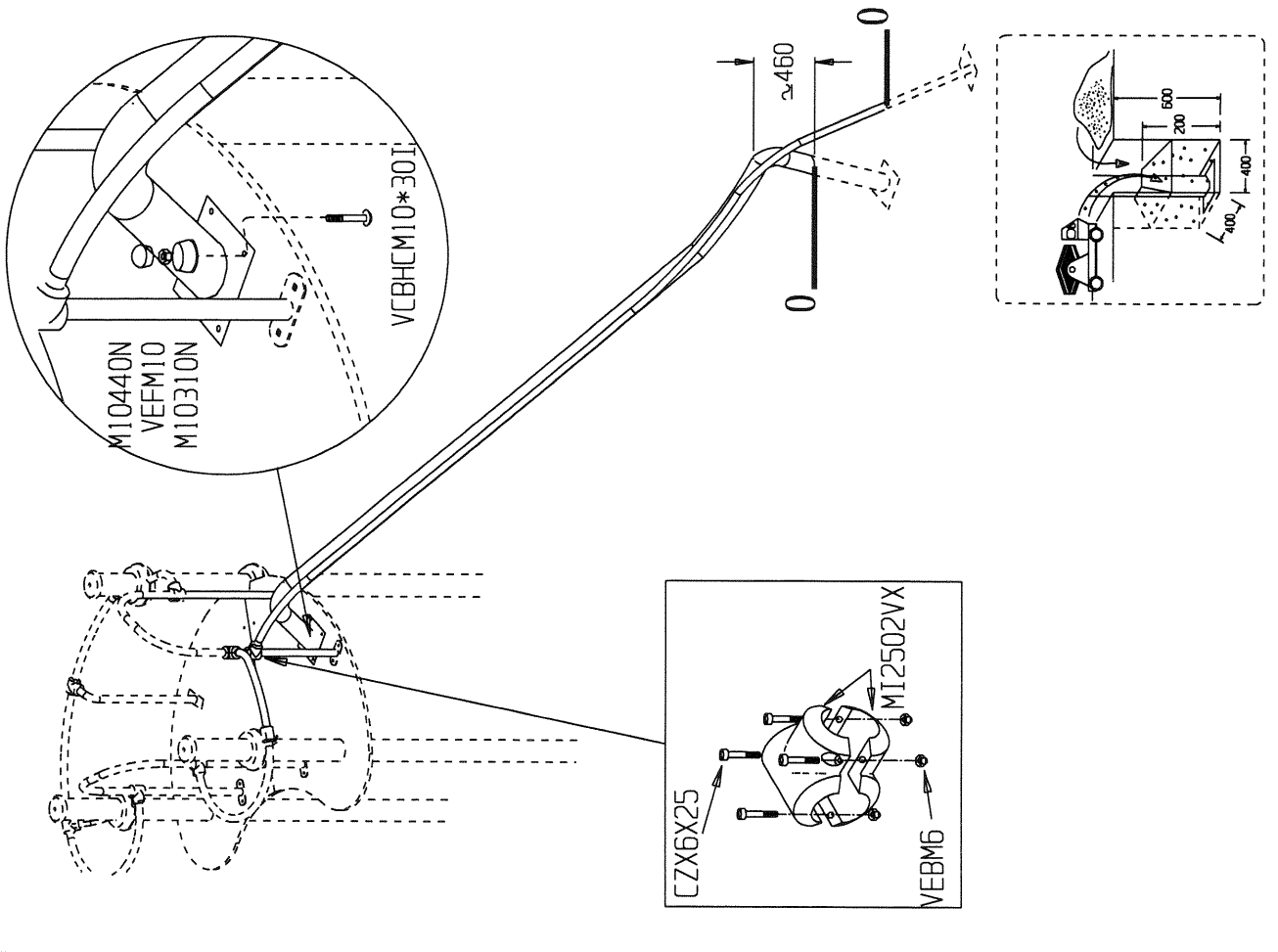
	VFHCM6x40	3
	MI 025WX	3
	M10440N	3
	LG4412	3
	VCBHCMB*30I	4

	VCBHCMI0*30I	8
	M1031ON	8
	M10440N	8
	VEFM10	8



	VGC8*55I	4
	VCZX 6x25	28
	VEBM6	28
	MI2502VX	14
	VCBHC10*30I	10
	M10310N	10
	M10440N	10
	VEFM10	10
	VTH6*60 AUTTC	12
	VECM10	12
	VBTR 10x90	12
	M10440N	12
	MI 2508VX	24
	MI2501VX	6

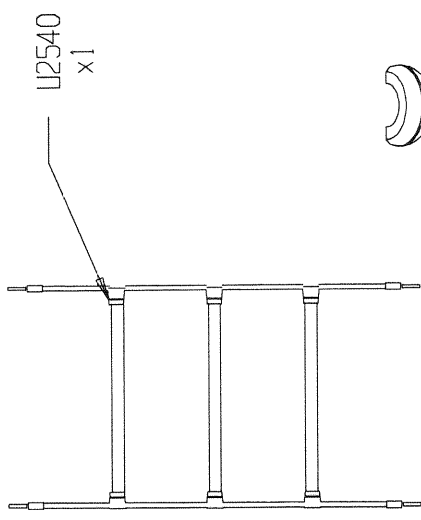
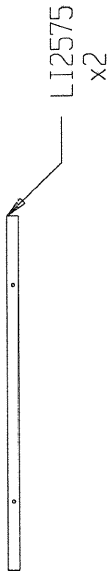
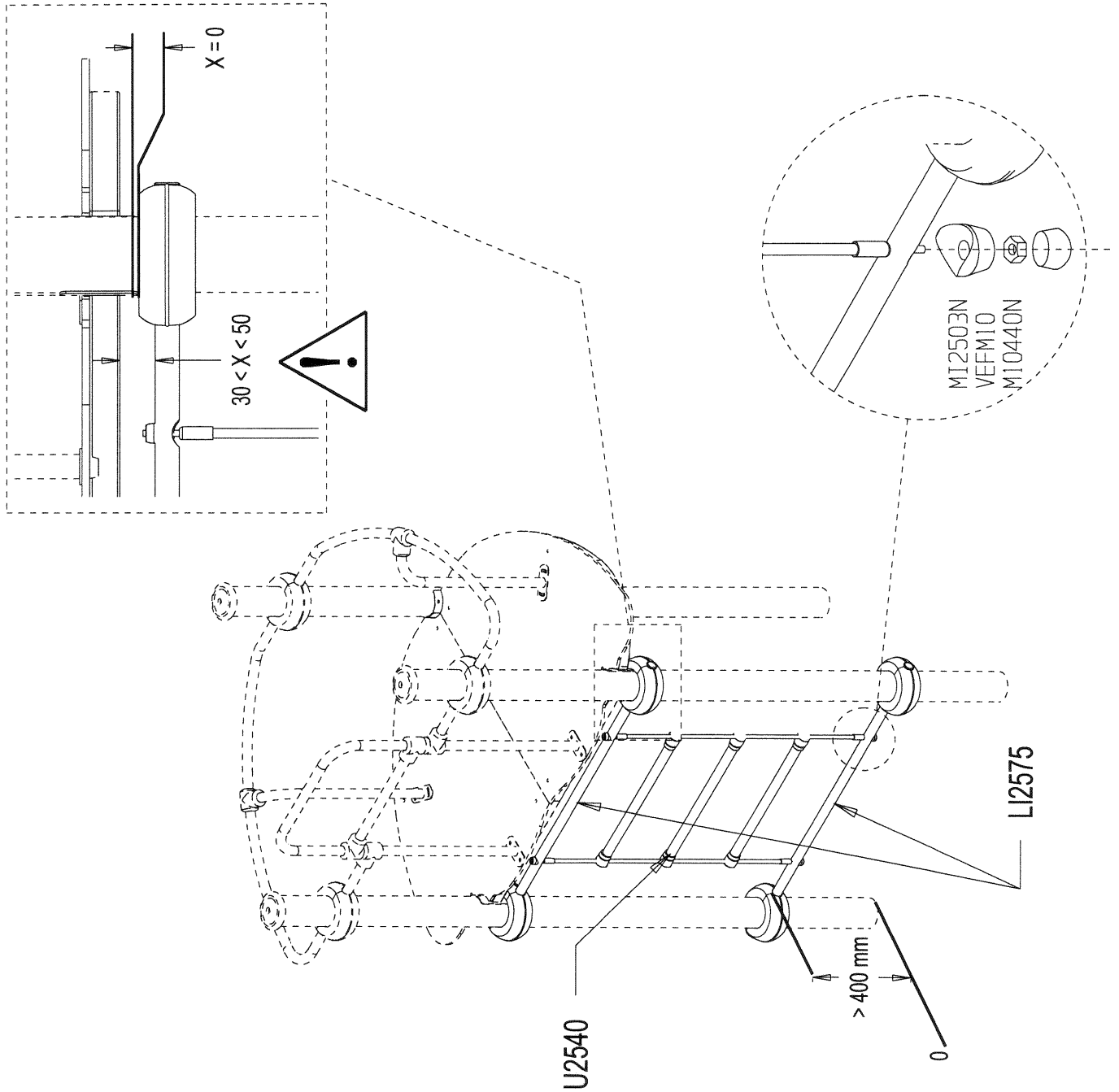




	VEFM10	4
	VCBHC10*30I	4
	CZX 6x25	4
	VEBM6	4
	M10310N	4
	M10440N	4

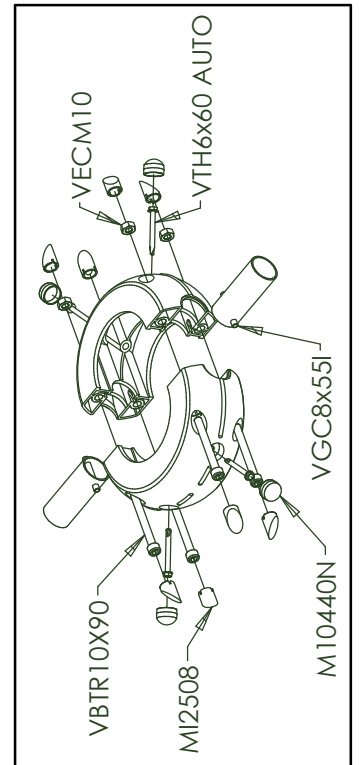
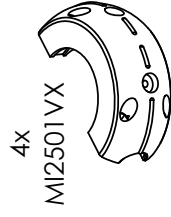
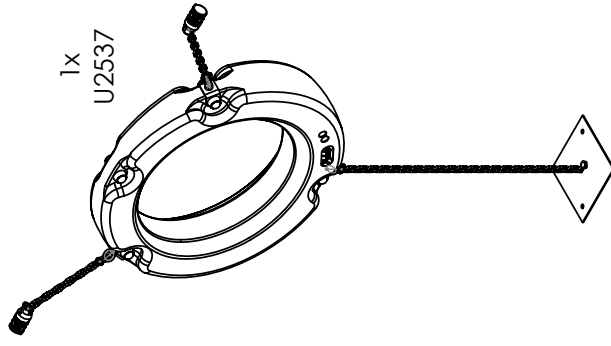
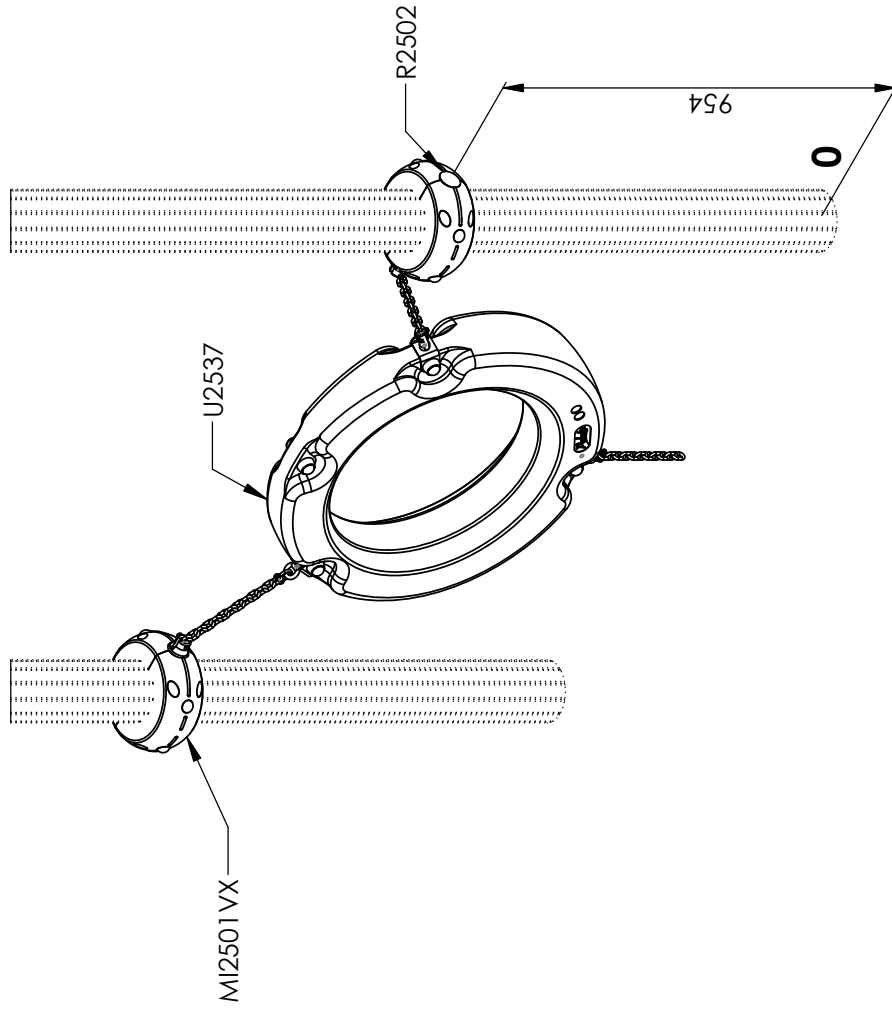


MI2502VX X 2

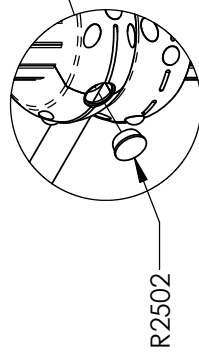
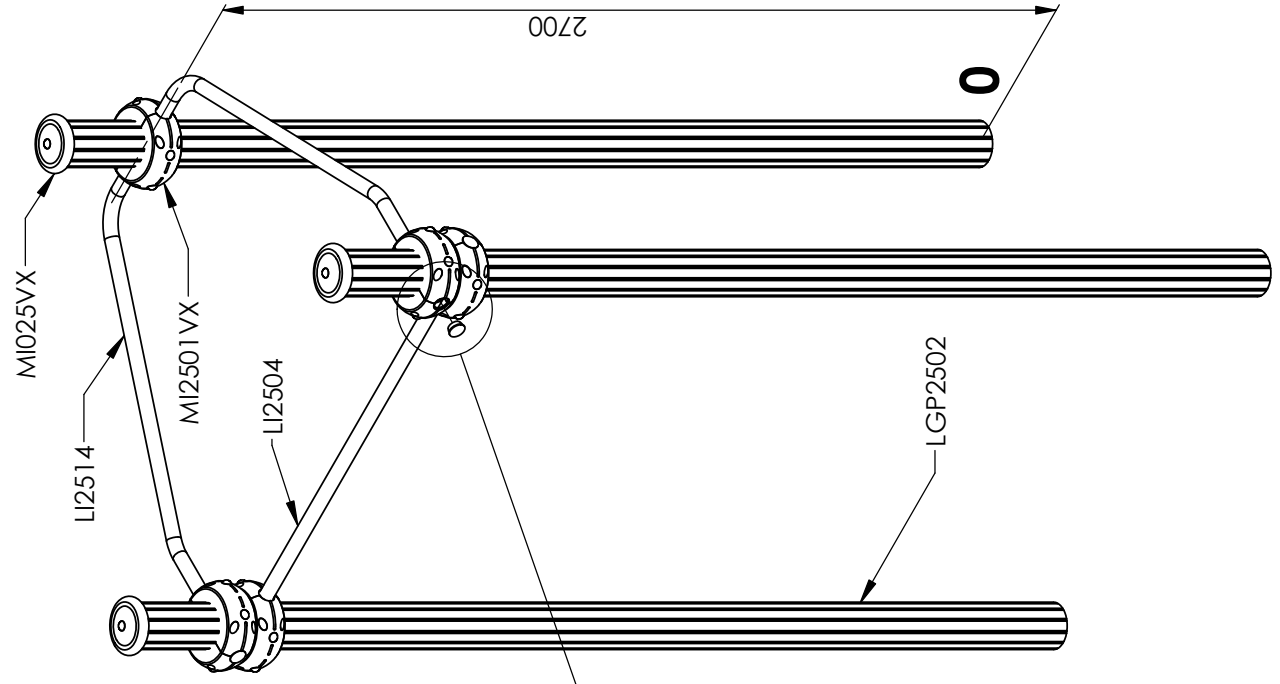
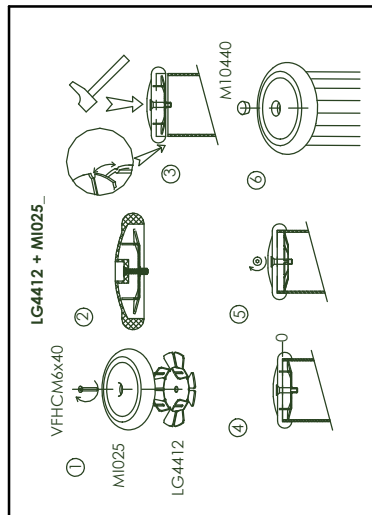


MI2501VX x 8

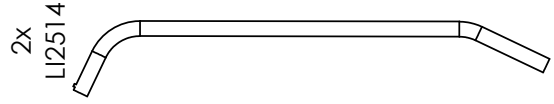
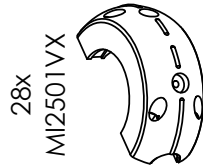
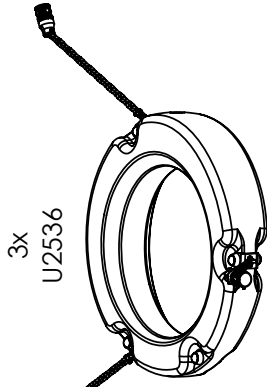
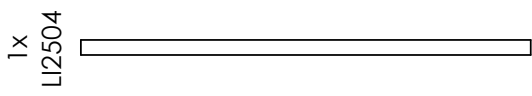
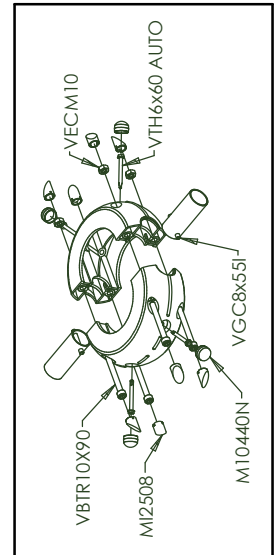
	VECM10	16
	VBTR 10x90	16
	VTH 6x60 AUTO	16
	MI2503 N	4
	M10440 N	20
	VEFM10	4
	MI 2508VX	32
	R 2502	4



M10440N	8
MI2501VX	4
MI2508	16
R2502	2
VBTR10X90	8
VECM10	8
VTH6x60 AUTO	8
U2537	1

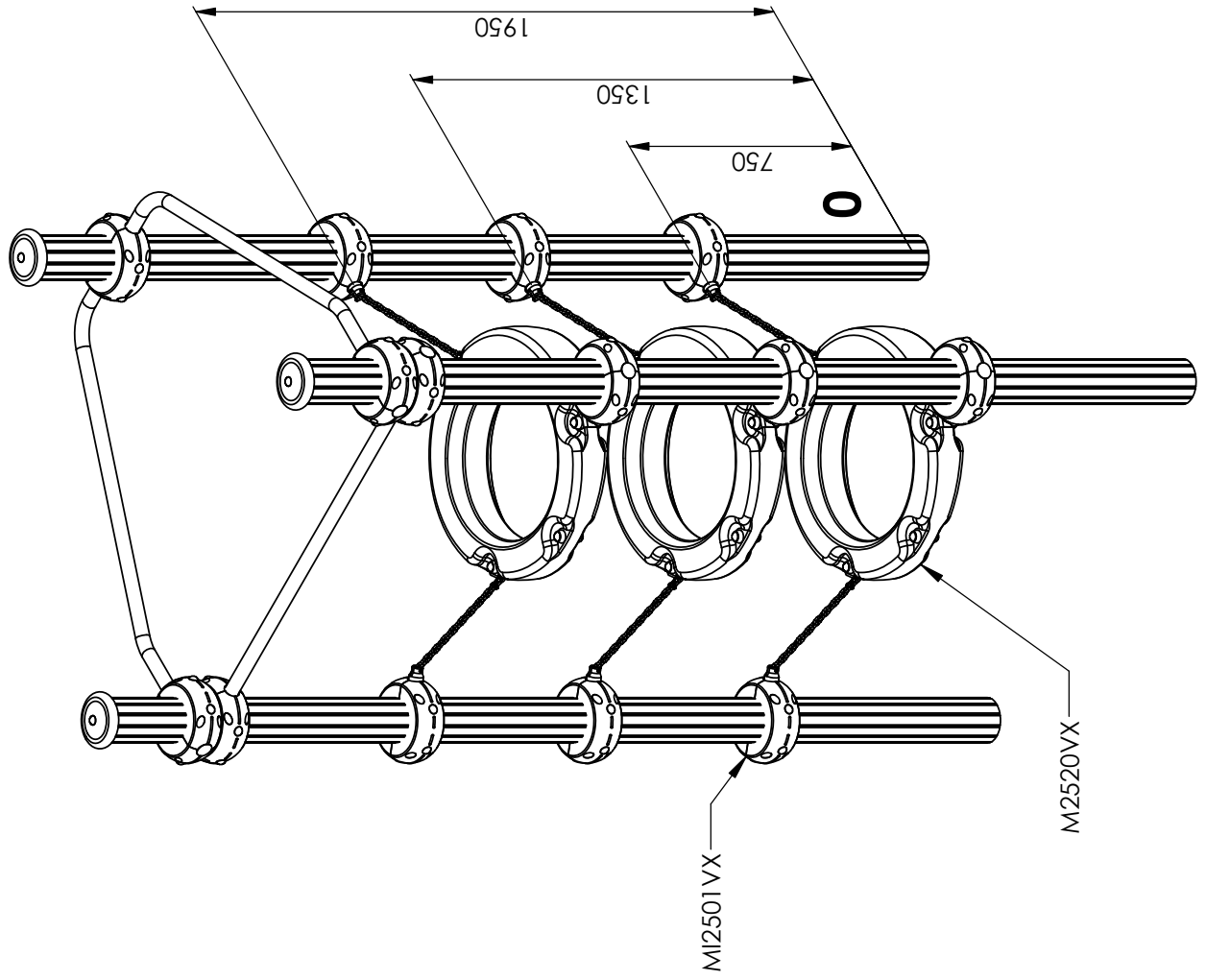
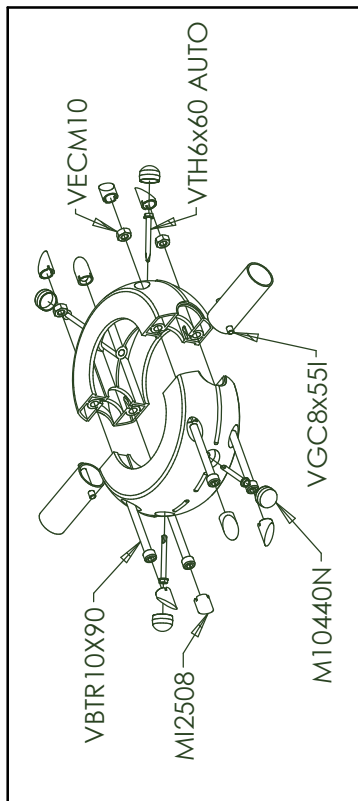


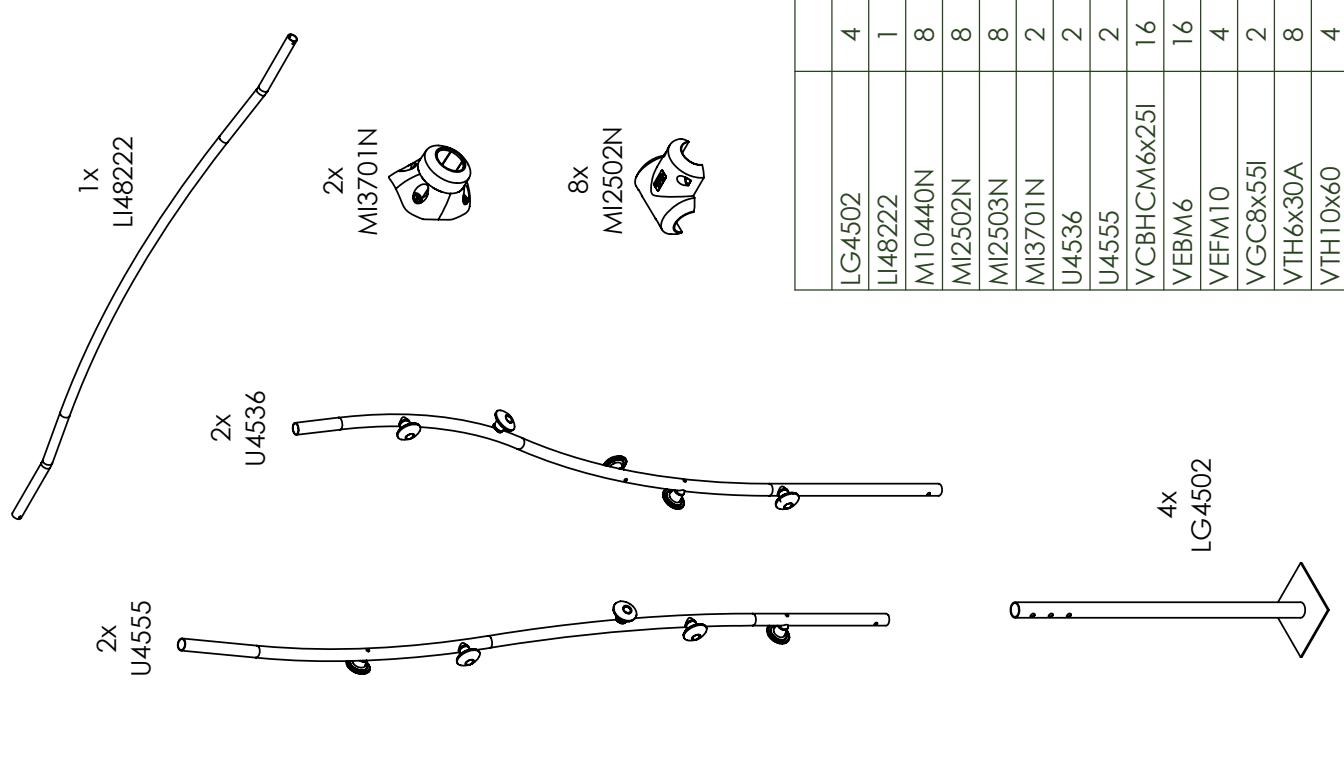
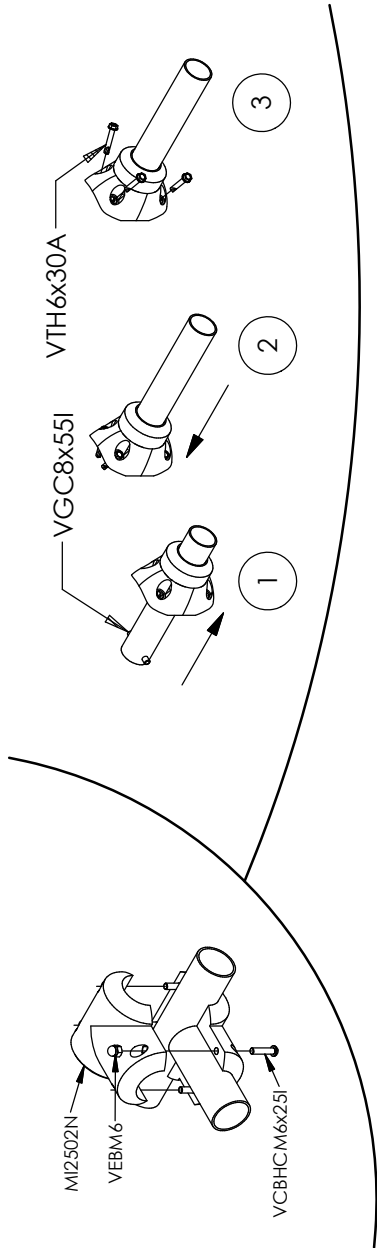
DÉTAIL  
ECHELLE 1 : 10



LG4412	3
LGP2502	3
LI2504	1
LI2514	2
M10440N	59
MI025VX	3
MI2501VX	28
MI2508	112
R2502	13
U2536	3
VBR10X90	56
VECM10	56
VFHCM6x40	3
VTH6x60 AUTO	56







LG4502	4
LI48222	1
M10440N	8
MI2502N	8
MI2503N	8
MI3701N	2
U4536	2
U4555	2
VCBHCM6x25I	16
VEBM6	16
VEFM10	4
VGC8x55I	2
VTH6x30A	8
VTH10x60	4

