



| N° |        |                   |
|----|--------|-------------------|
| 1  | 0.6 m  | 2 m <sup>2</sup>  |
| 2  | 1.95 m | 18 m <sup>2</sup> |
| 3  | 2.9 m  | 28 m <sup>2</sup> |

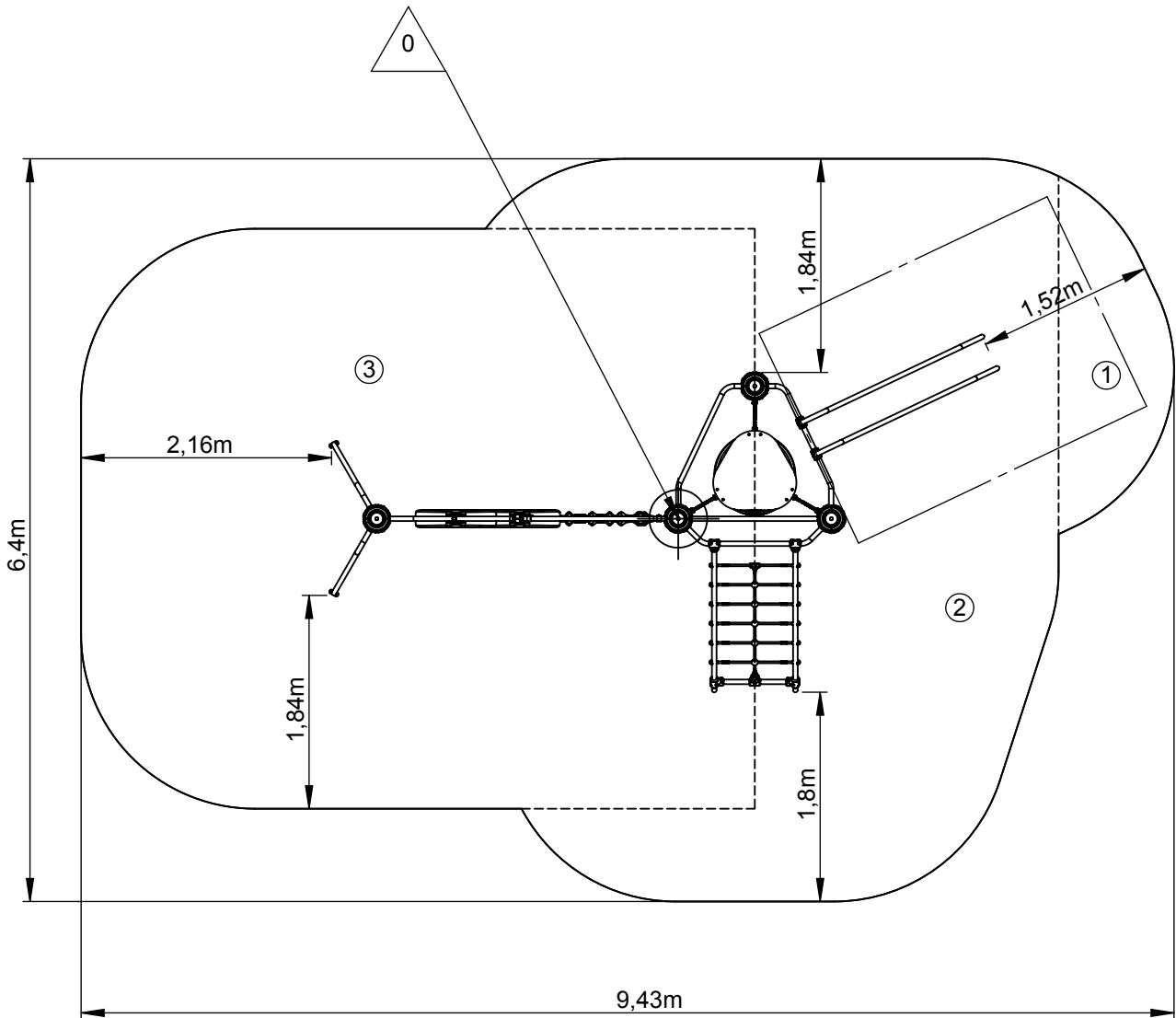
— Zone d'impact  
Impact area  
Area de impacto  
Fallraum  
Valzone



Point de référence  
Setting out point  
Punto de referencia  
Bezugspunkt  
Referentiepunt

- - - Espace libre  
Free space  
Espacio libre  
Freiraum  
Vrije ruimte

EN1176-1 : 2017





*Pro ludic*

| N° |        |                   |
|----|--------|-------------------|
| 1  | 0.6 m  | 2 m <sup>2</sup>  |
| 2  | 1.95 m | 18 m <sup>2</sup> |
| 3  | 2.9 m  | 28 m <sup>2</sup> |

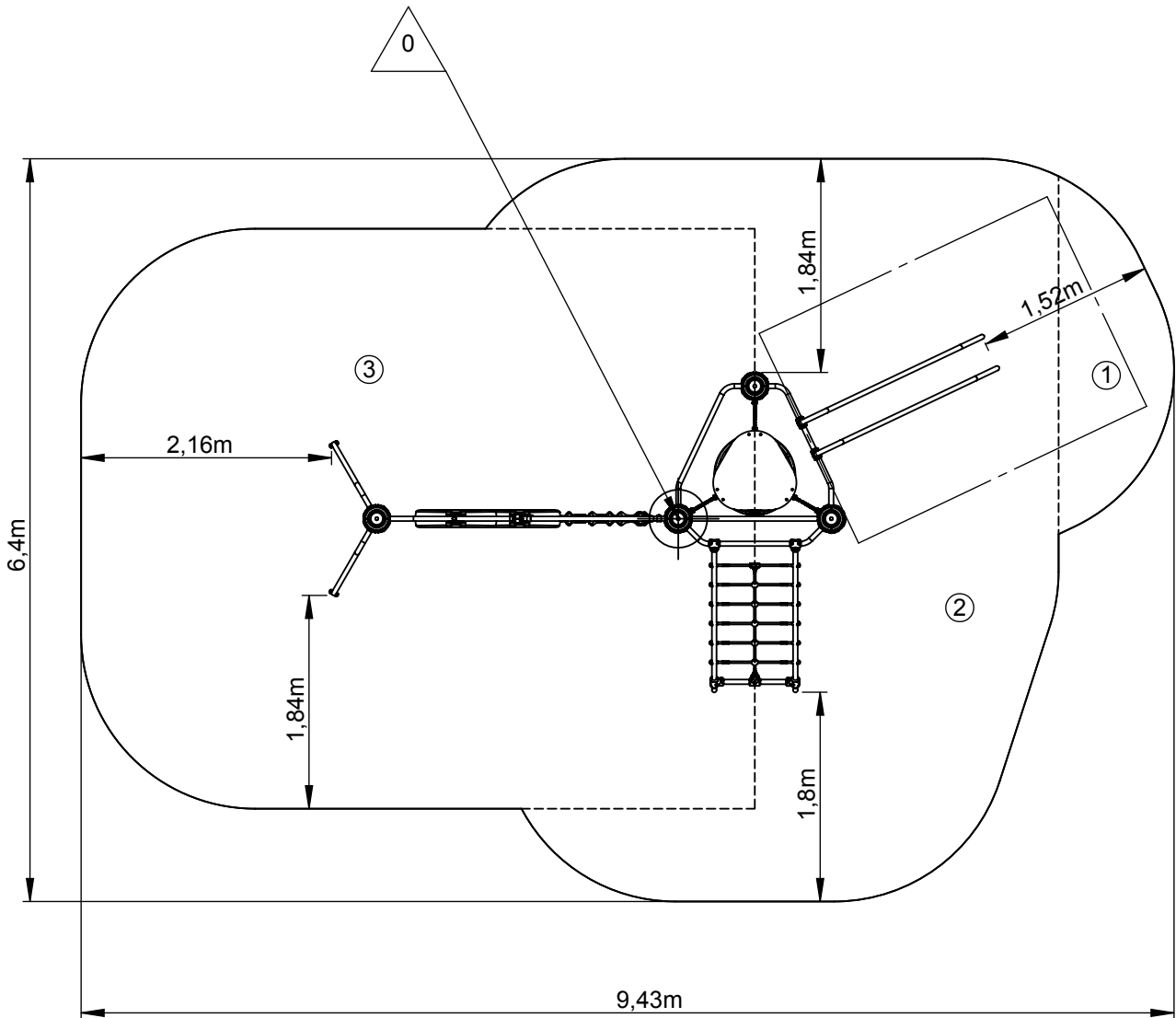
— Zone d'impact  
Impact area  
Area de impacto  
Fallraum  
Valzone

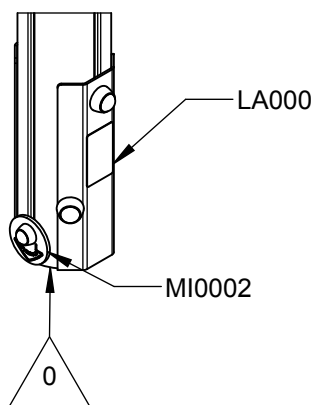
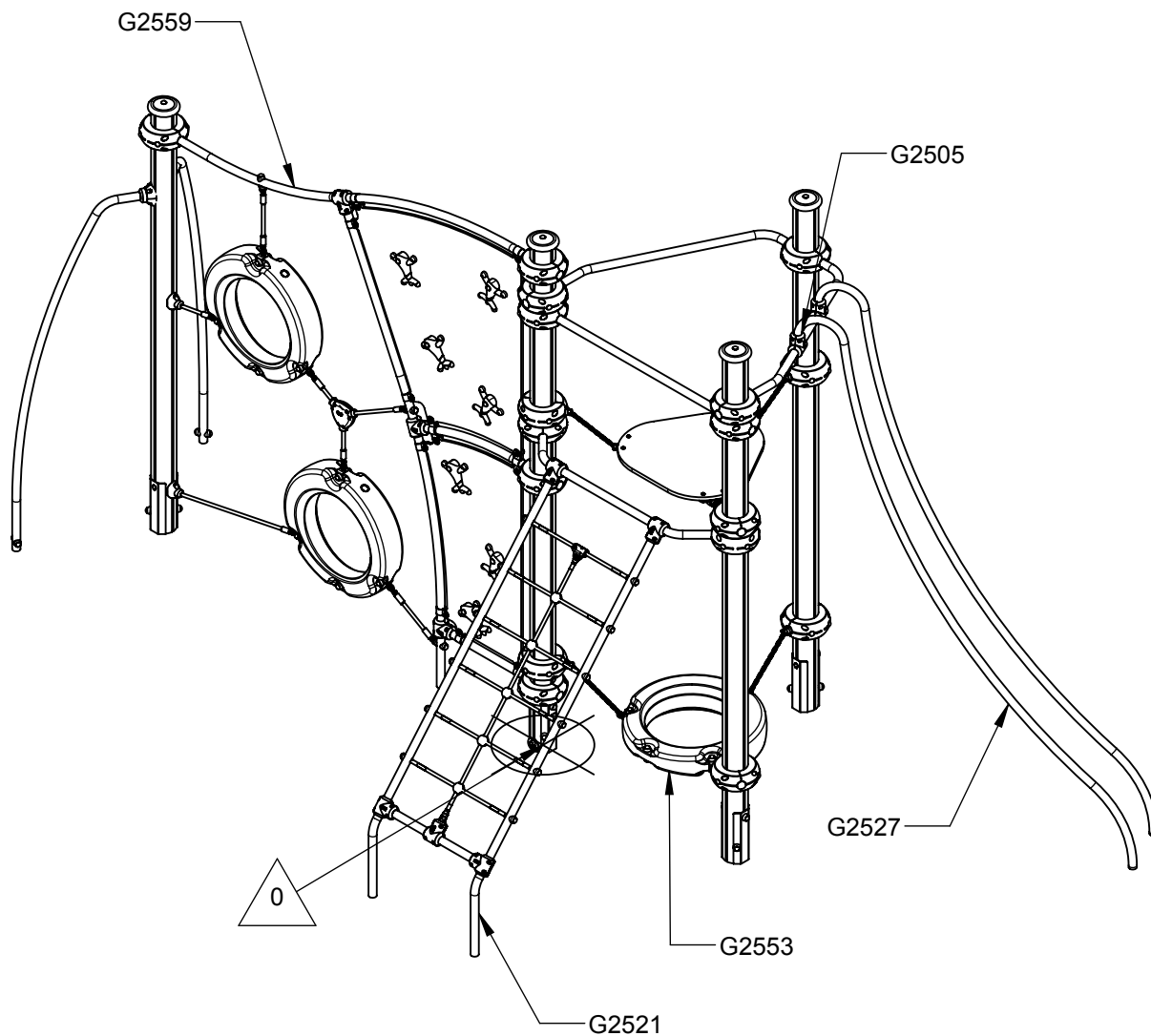


Point de référence  
Setting out point  
Punto de referencia  
Bezugspunkt  
Referentiepunt

- - - Espace libre  
Free space  
Espacio libre  
Freiraum  
Vrije ruimte

EN1176-1:2008

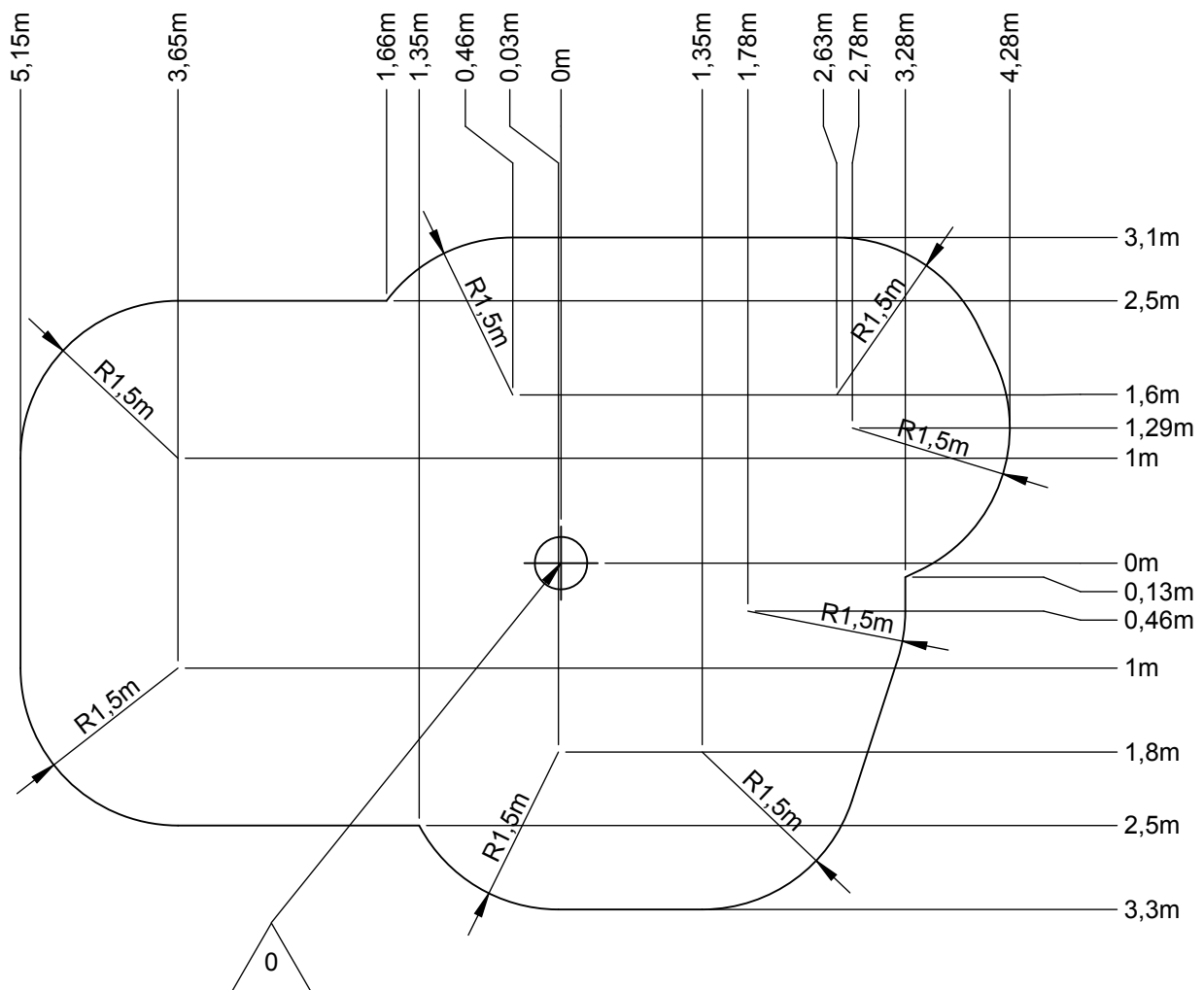




|          |   |
|----------|---|
| G2505    | 1 |
| G2521    | 1 |
| G2527    | 1 |
| G2553    | 1 |
| G2559    | 1 |
| LA000    | 1 |
| M8310N   | 1 |
| M8440N   | 1 |
| MI0002   | 1 |
| VTF10x60 | 1 |

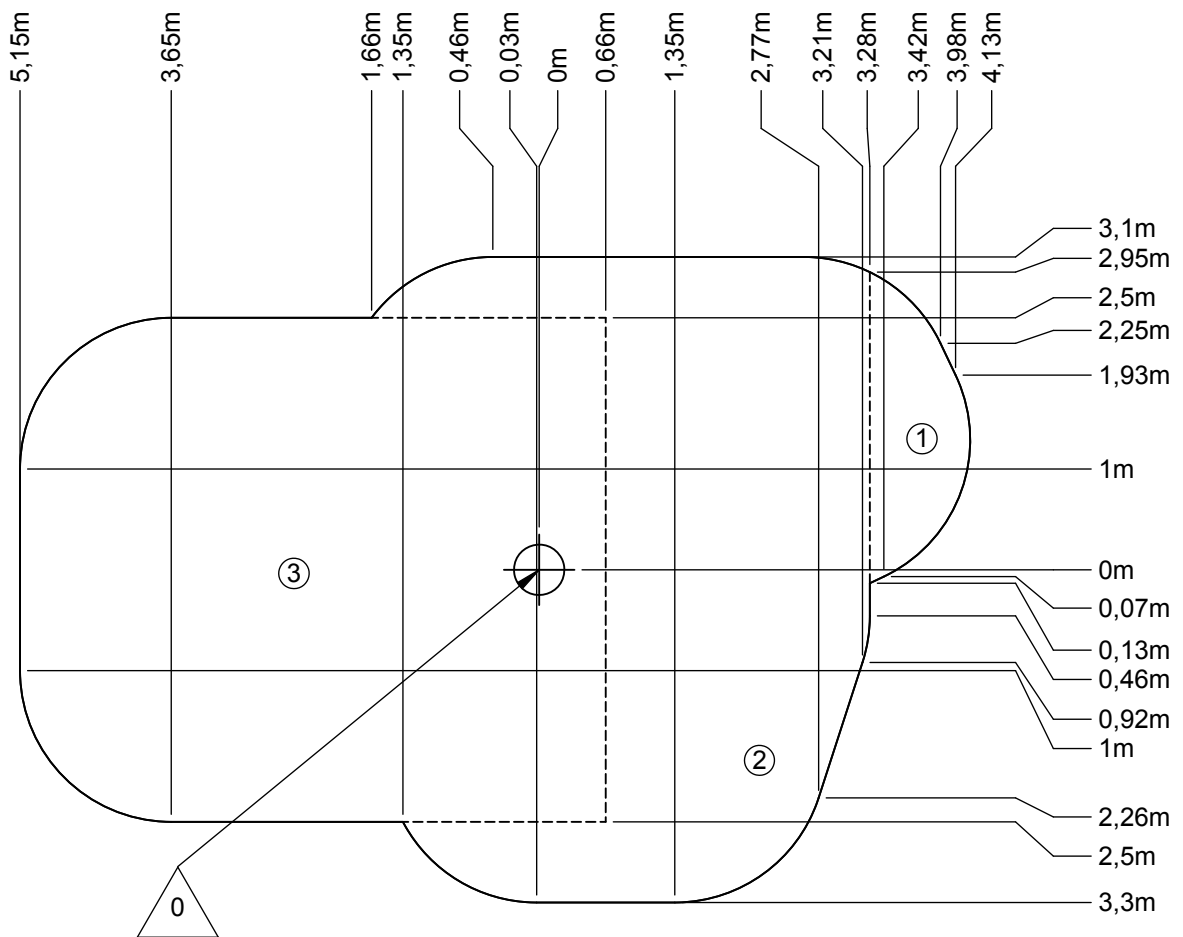
— Zone d'impact  
 Impact area  
 Area de impacto  
 Fallraum  
 Valzone

48 m<sup>2</sup>



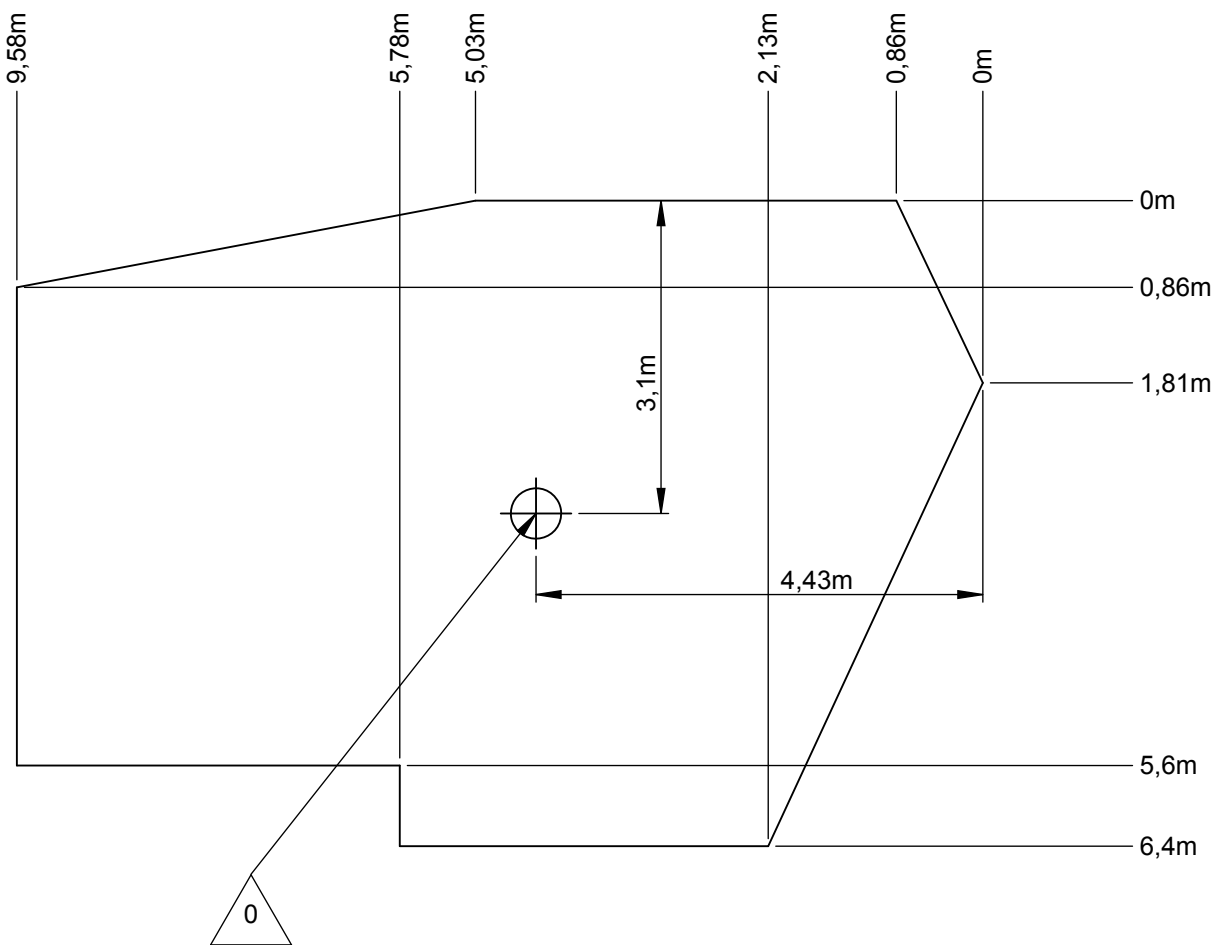
— Sol souple  
 — Wetpour  
 — Caucho continuo  
 — Synthetischer fallschutz  
 — Gietvloer

48 m<sup>2</sup>

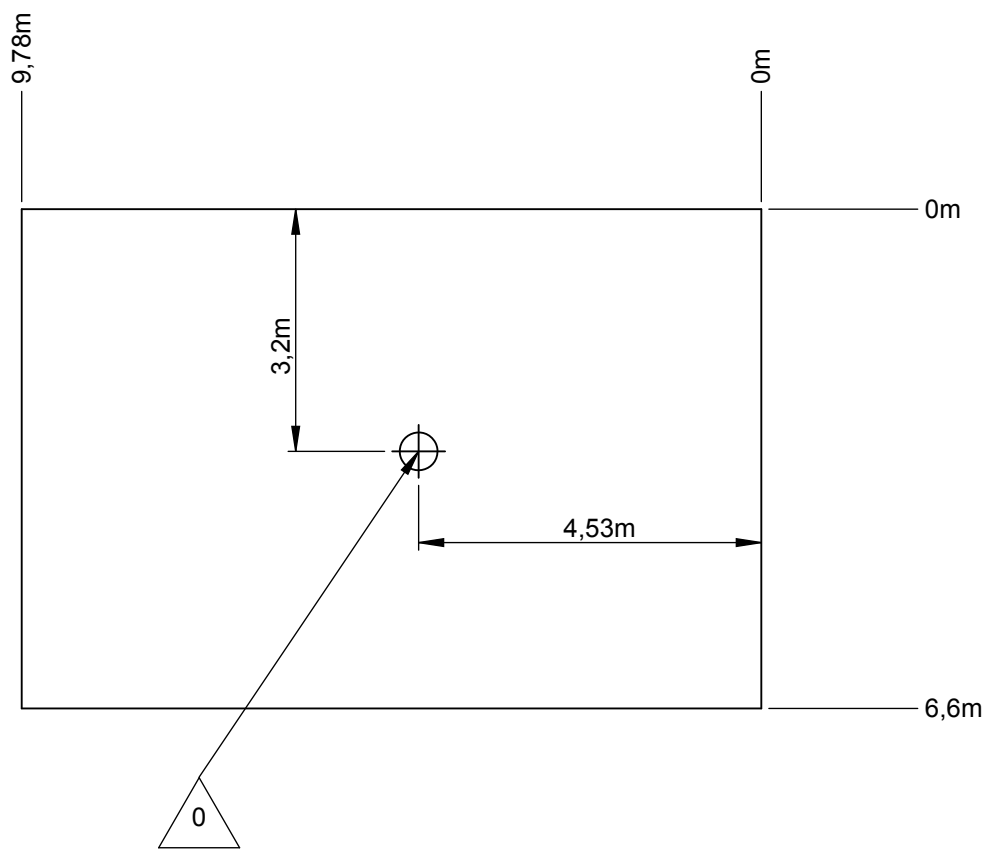


— Dalle béton  
 Concrete pad  
 Solera de hormigon  
 Beton bodenplatte  
 Betonnen bodemplaat

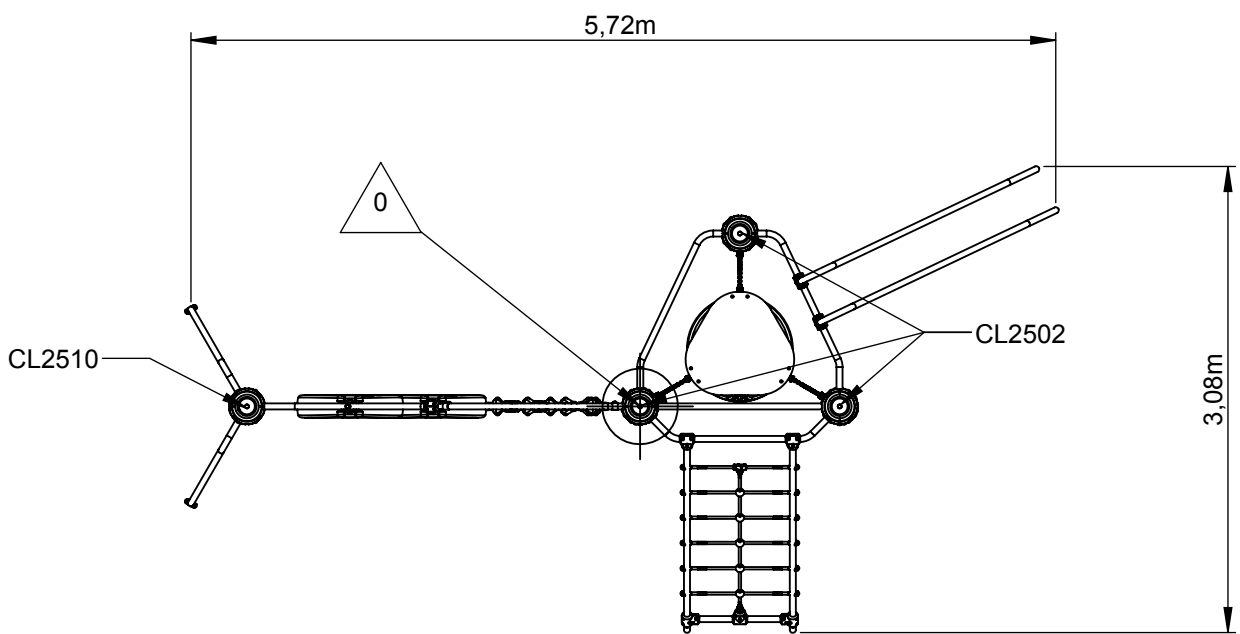
29 m  
 51 m<sup>2</sup>

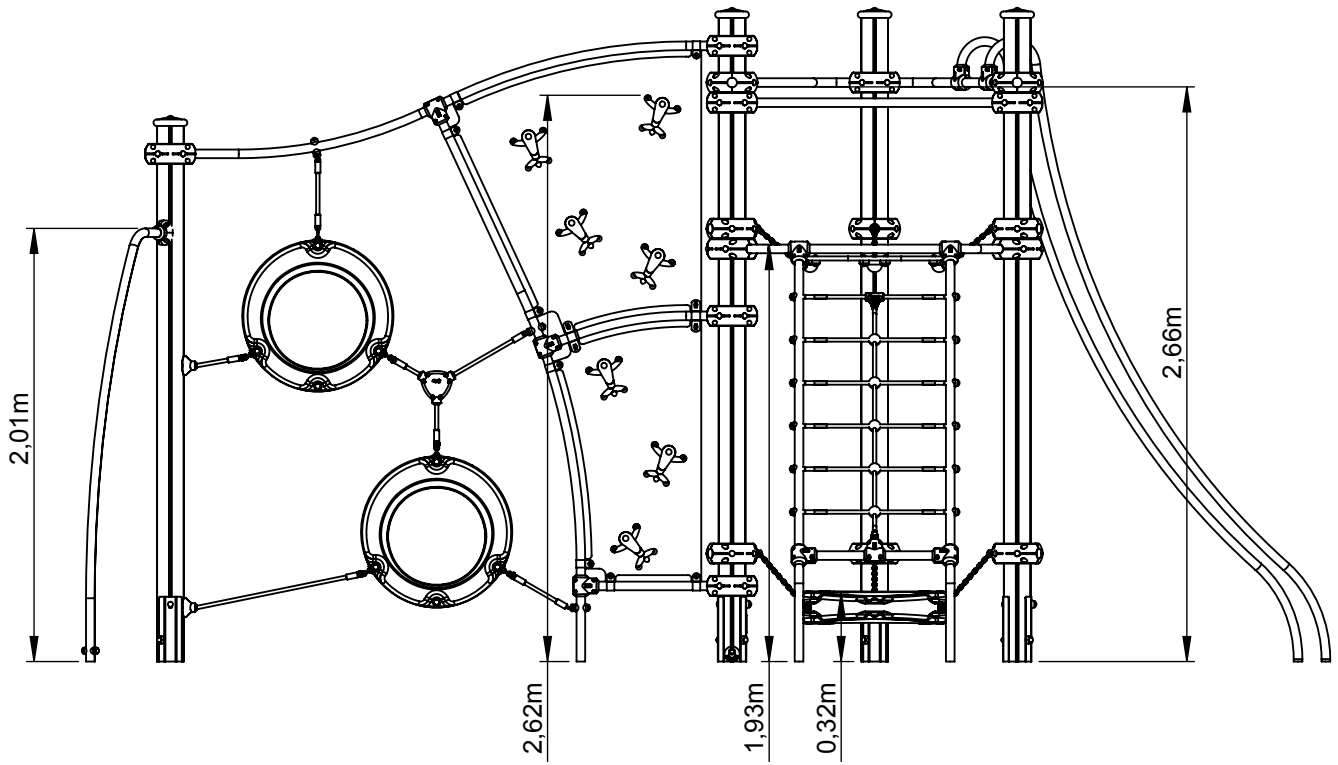


— Sol fluent  
Loos partucule material 33 m  
Arenero  
Loses Bodenmaterial 65 m<sup>2</sup>  
Los bodemateriaal

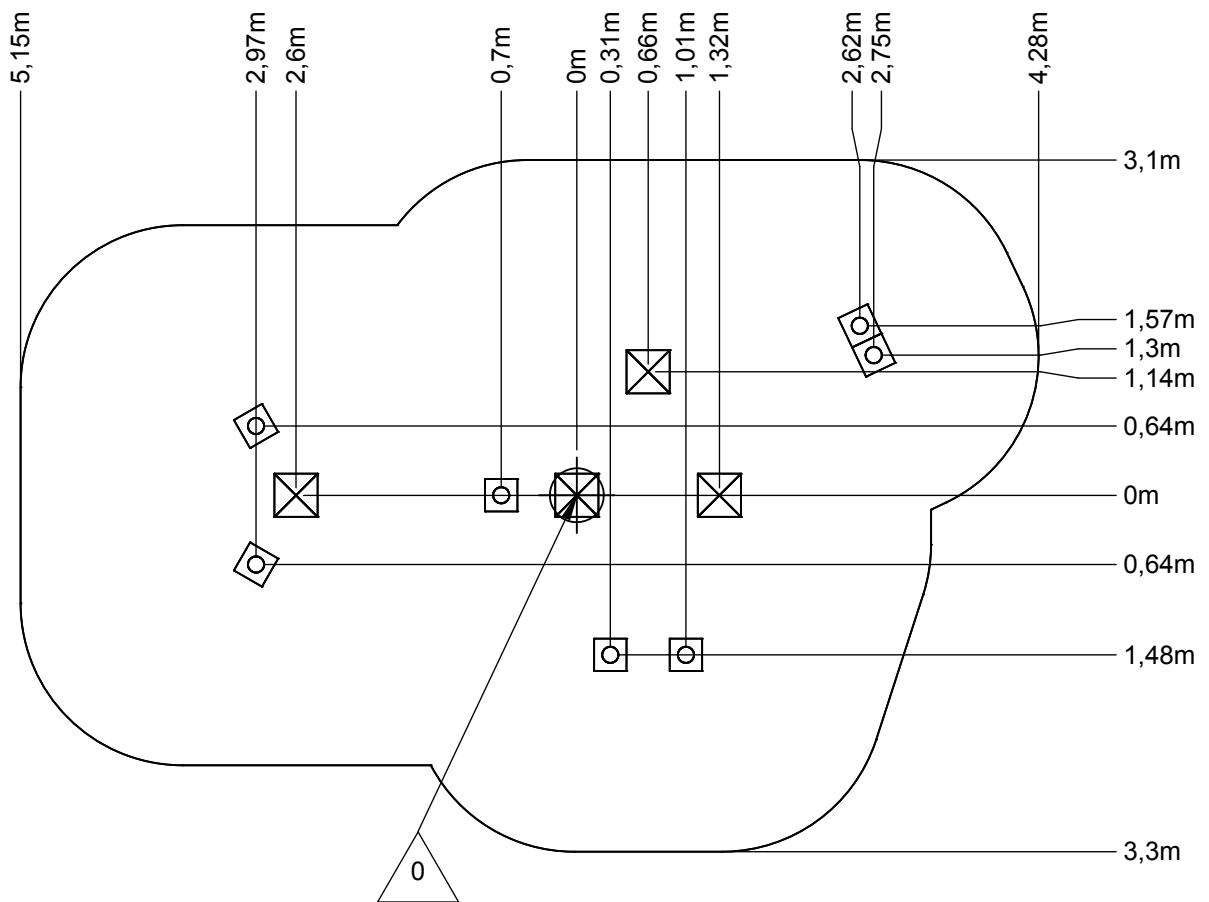




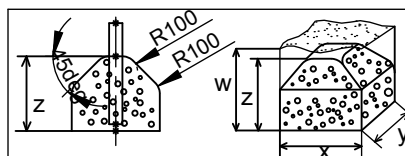







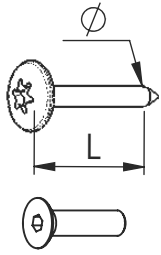
Implantation  
 Footing plan  
 Implantación  
 Fundamentplan  
 Funderingstekening



 x2  
 6H  
 0.6 m<sup>3</sup>

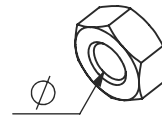


|   | x   | y   | z   | w   |
|---|-----|-----|-----|-----|
|  | 0.3 | 0.3 | 0.3 | 0.6 |
|  | 0.4 | 0.4 | 0.3 | 0.7 |
|  | 0.7 | 0.7 | 0.5 | 0.7 |

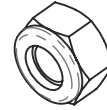


VBT 6 x 30  
 $\varnothing$   $\uparrow$  L (mm)

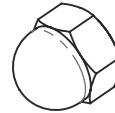
VFHC



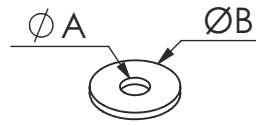
VEC M10  
 $\varnothing$



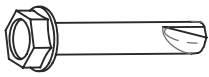
VEF



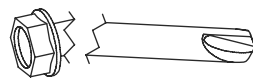
VEB



VR6x18  
 $\varnothing A$   $\varnothing B$



VTHA

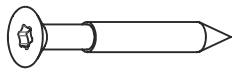


**1000 - 1800 tr/min**

**14 N.m**

Vitesse de rotation  
 Rotation speed

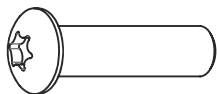
Couple de rupture  
 Torque of break



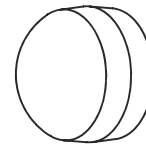
VWT



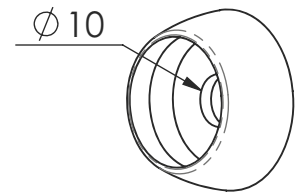
VGC



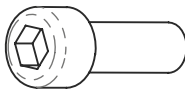
VCBHC



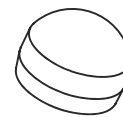
M10 440N



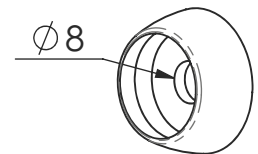
M10 310 N



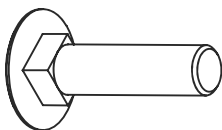
VBTR



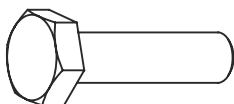
M8440N



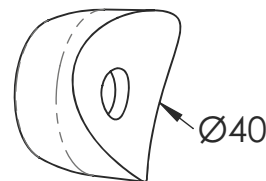
M8310N



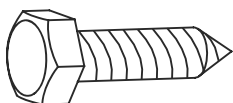
VTRCC



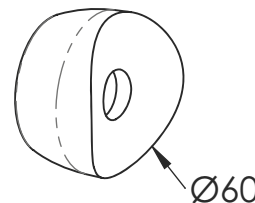
VTH



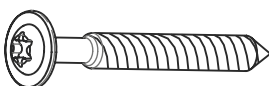
MI2503



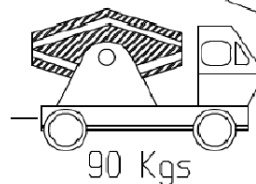
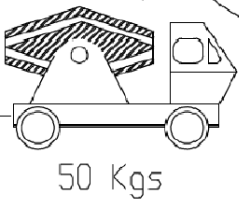
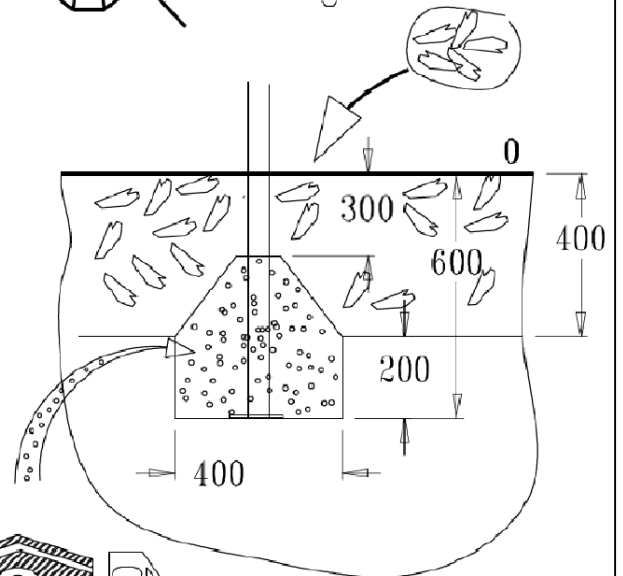
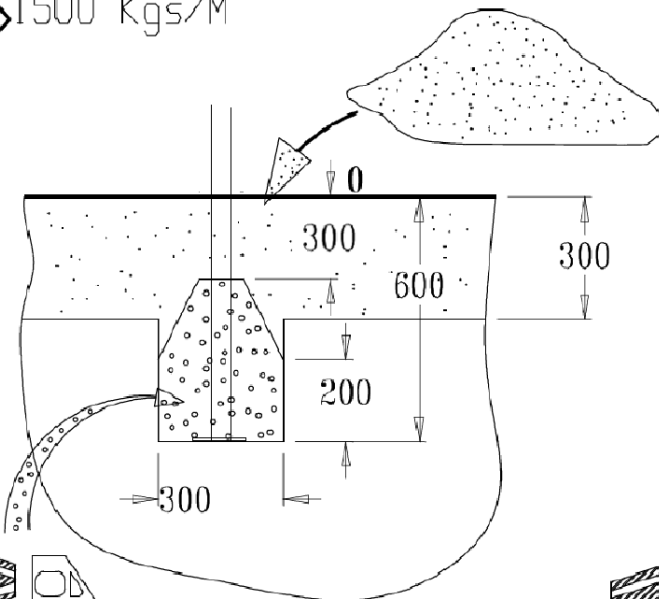
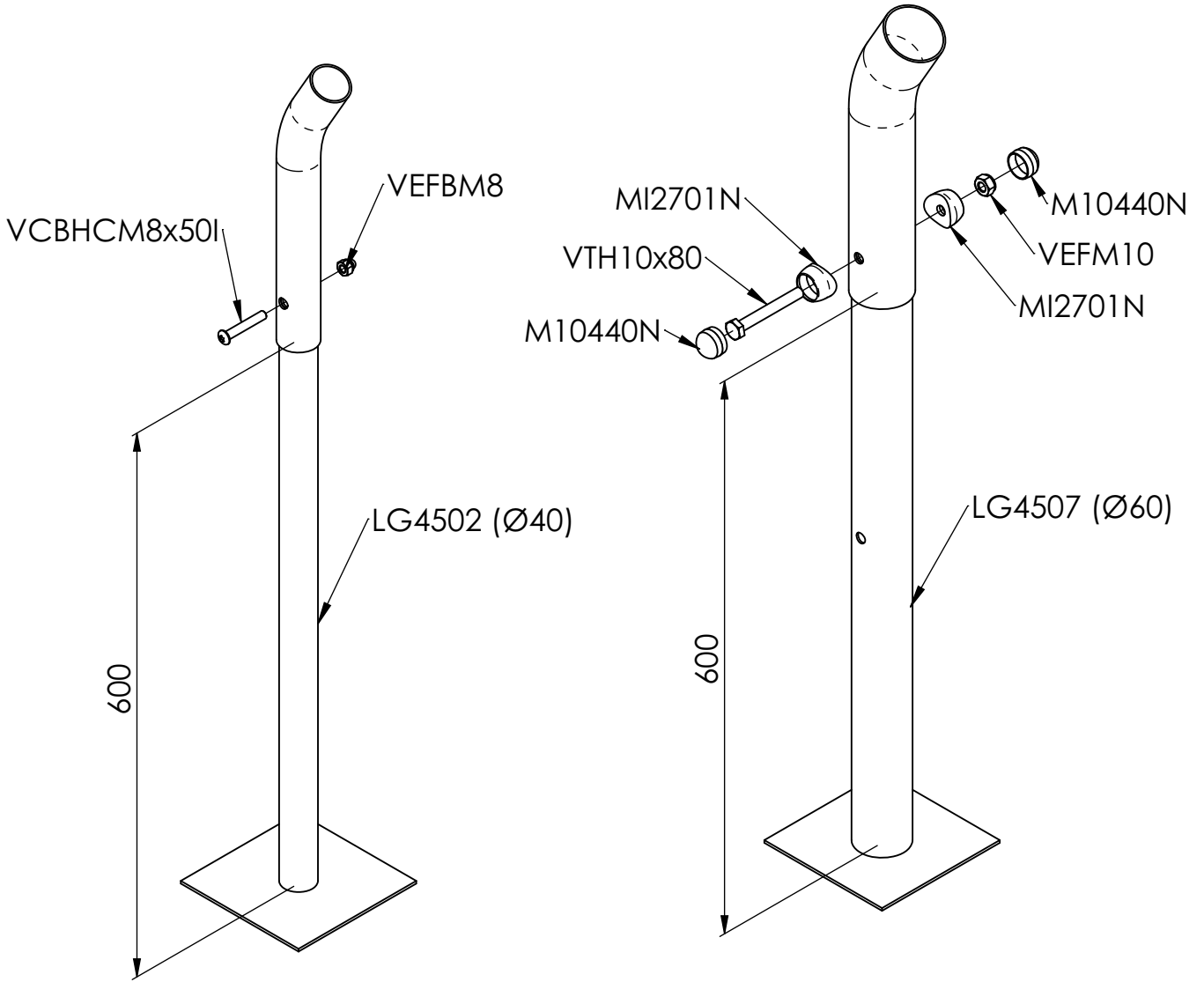
VTF

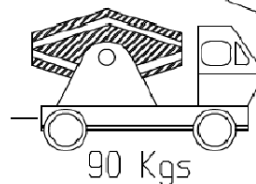
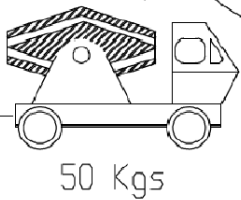
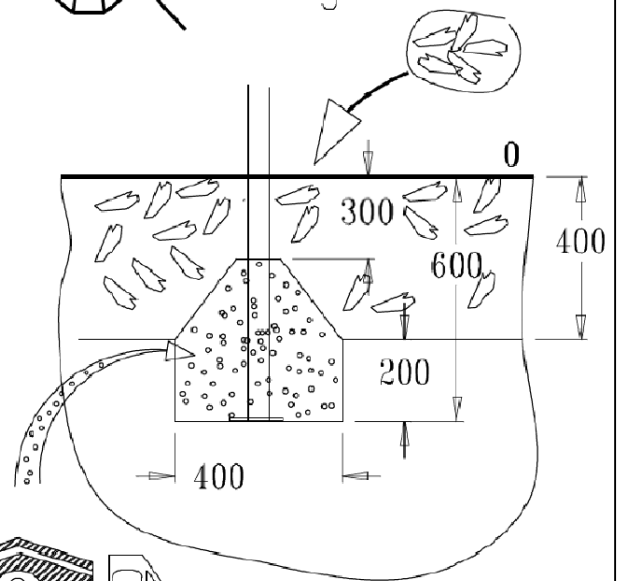
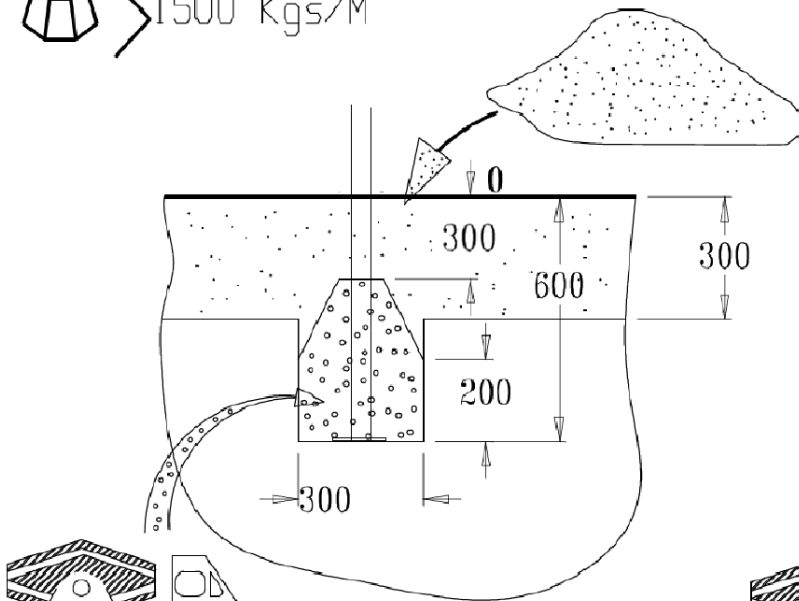
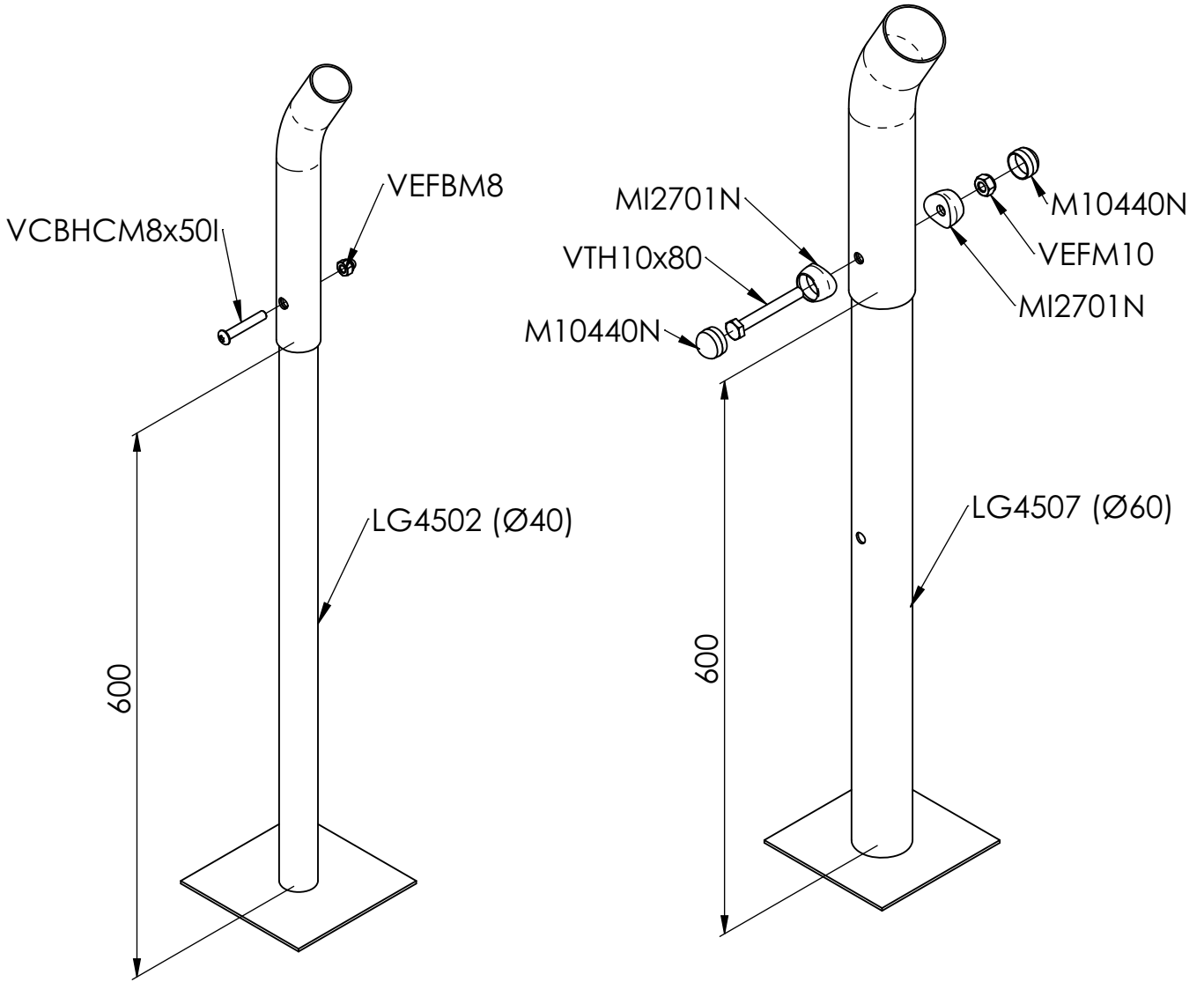


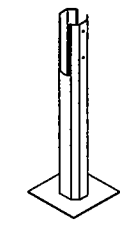
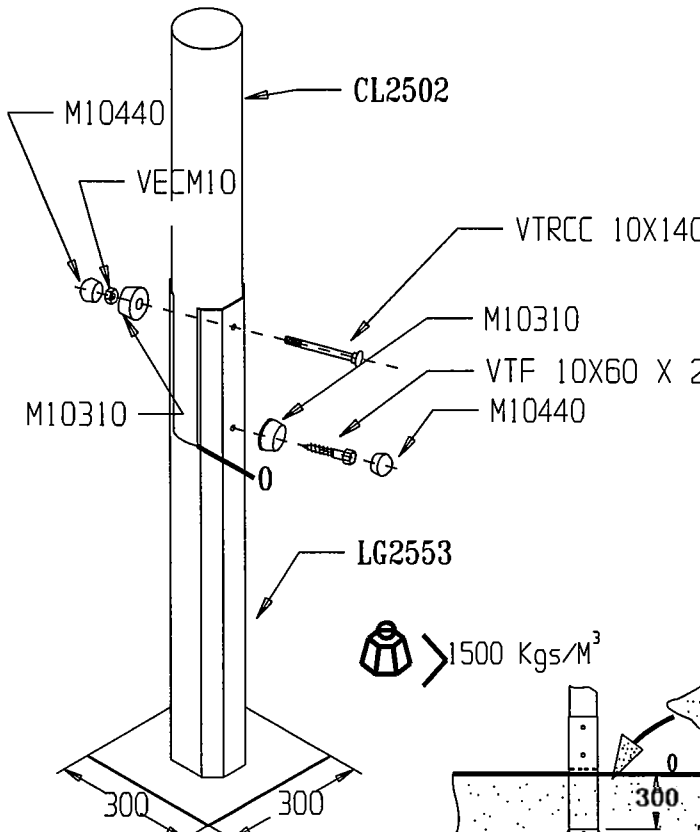
MI2701



VBT





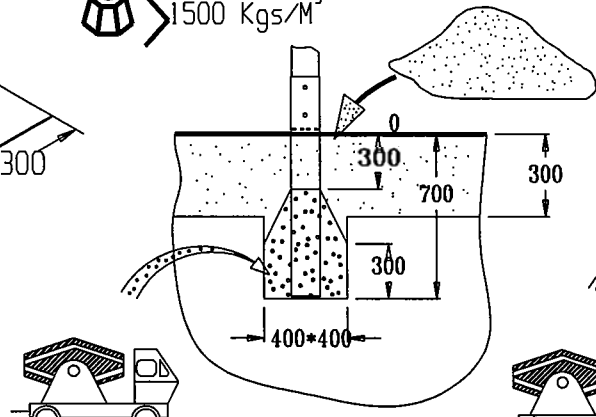


LG2553 X 1

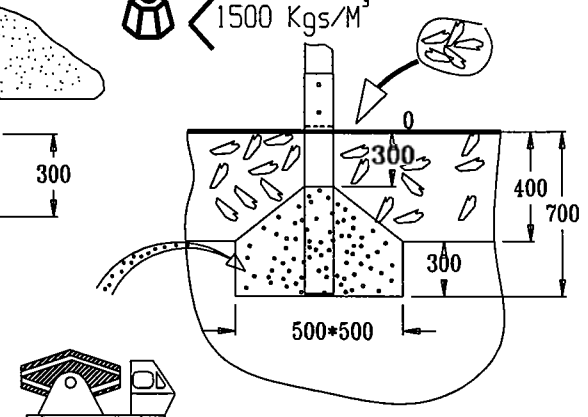
|  |              |   |
|--|--------------|---|
|  | VTRCC 10x140 | 1 |
|  | VECM10       | 1 |
|  | VTF 10x60    | 2 |
|  | M10310       | 3 |
|  | M10440       | 3 |

> 1500 Kgs/M<sup>3</sup>

< 1500 Kgs/M<sup>3</sup>



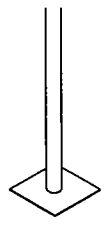
125 Kgs



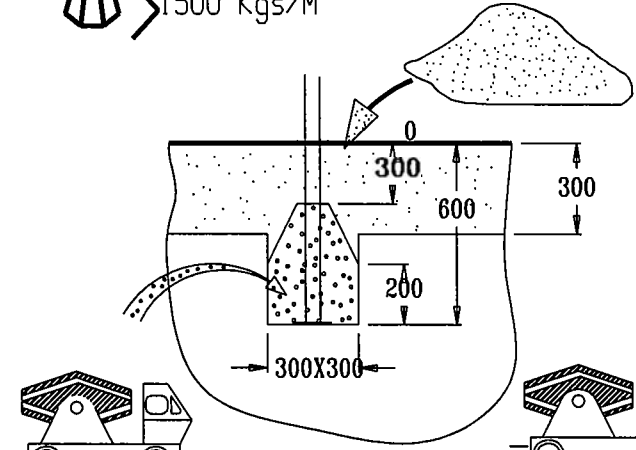
195 Kgs

> 1500 Kgs/M<sup>3</sup>

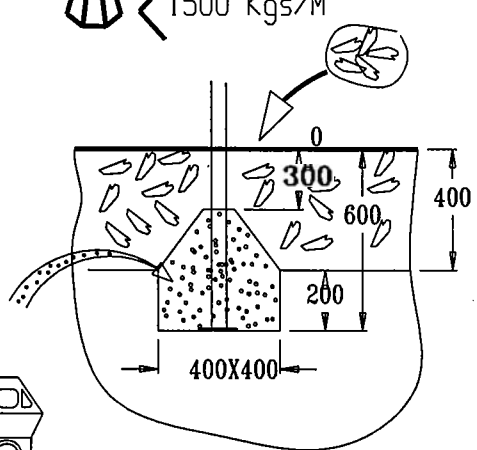
< 1500 Kgs/M<sup>3</sup>



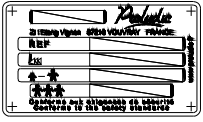
LI..... X 1



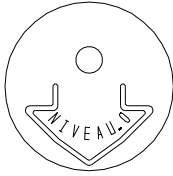
50 Kgs



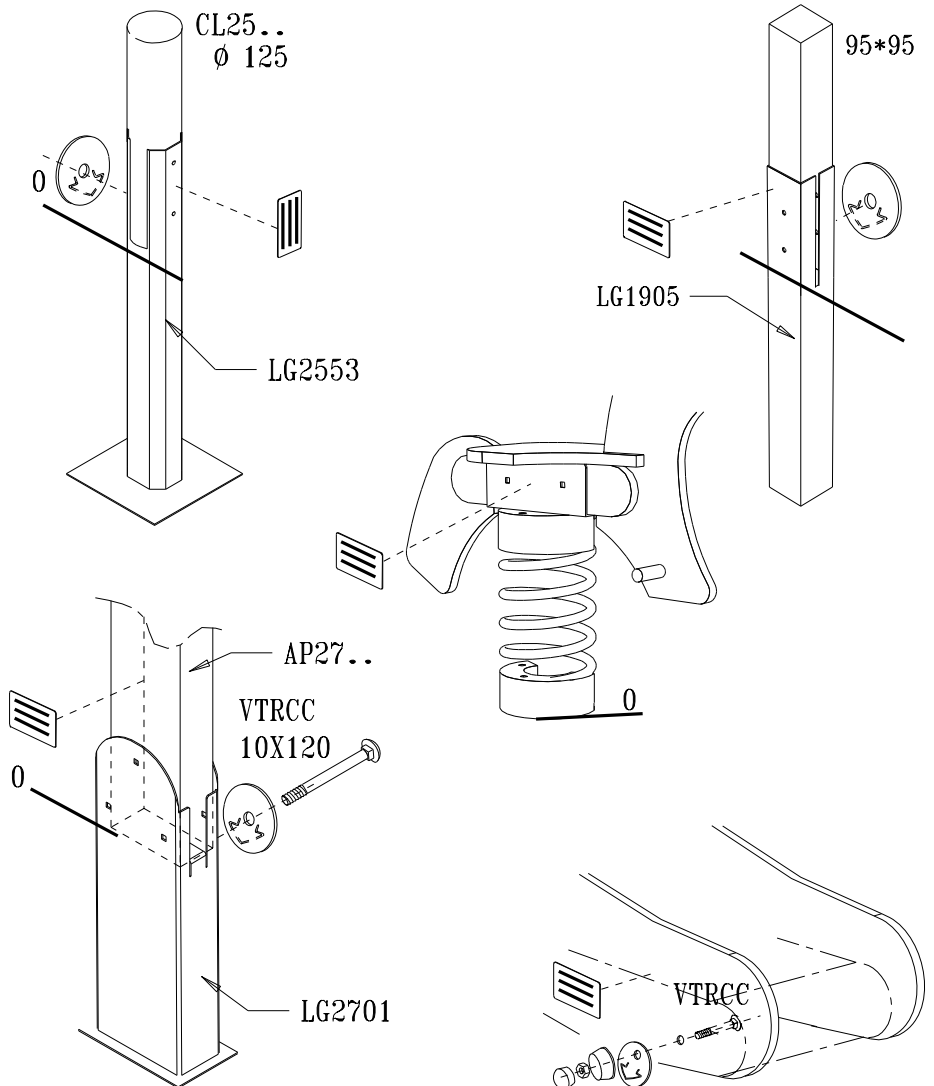
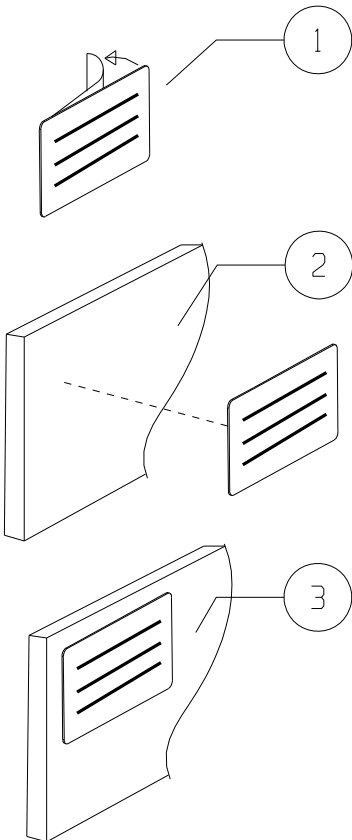
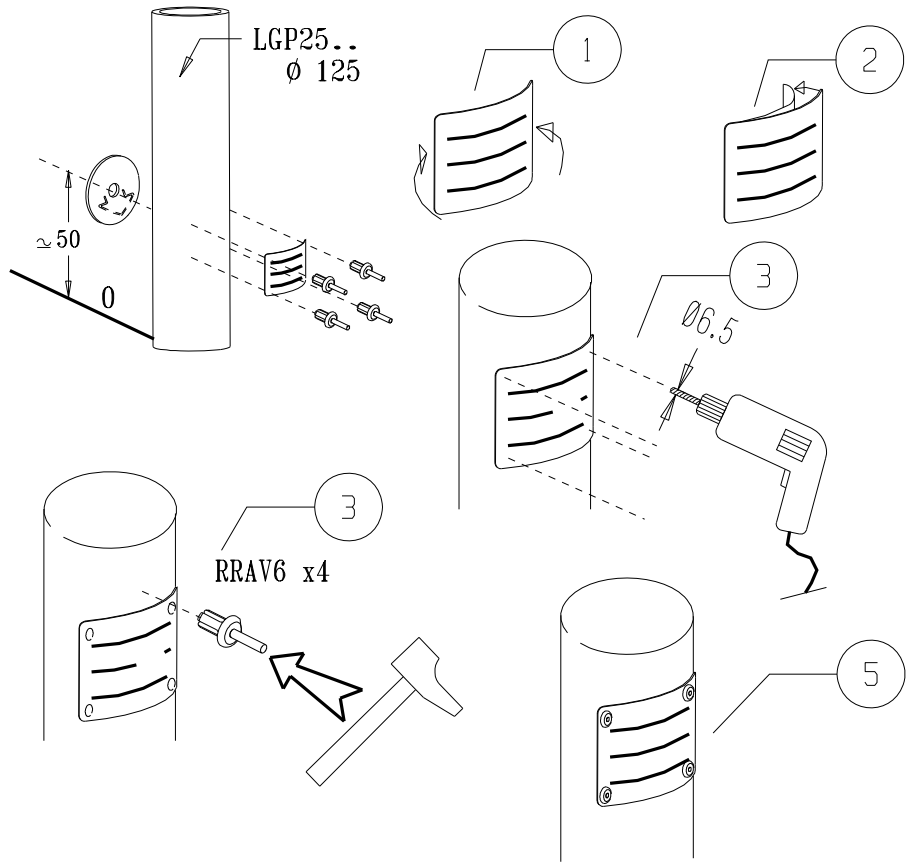
90 Kgs



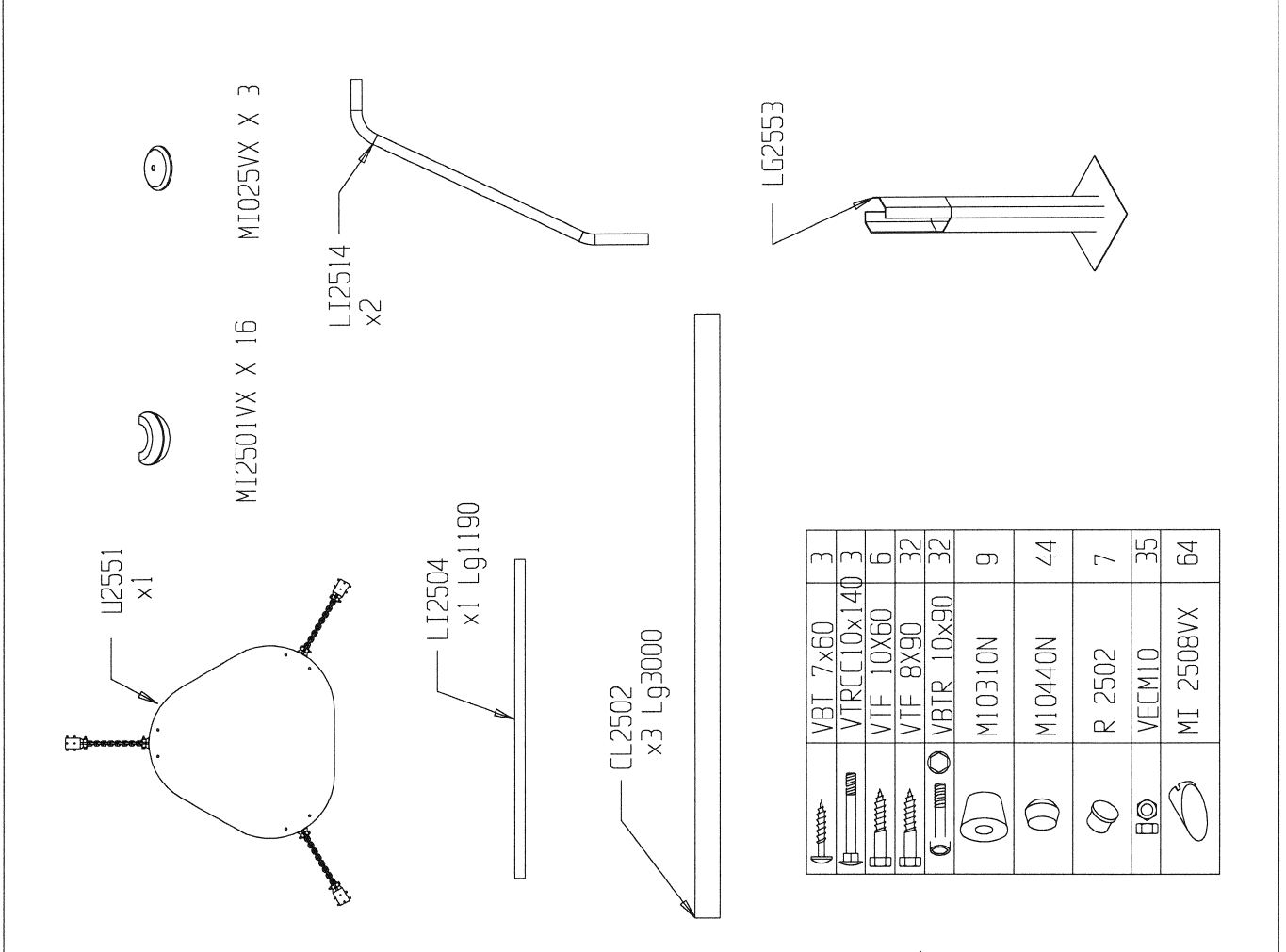
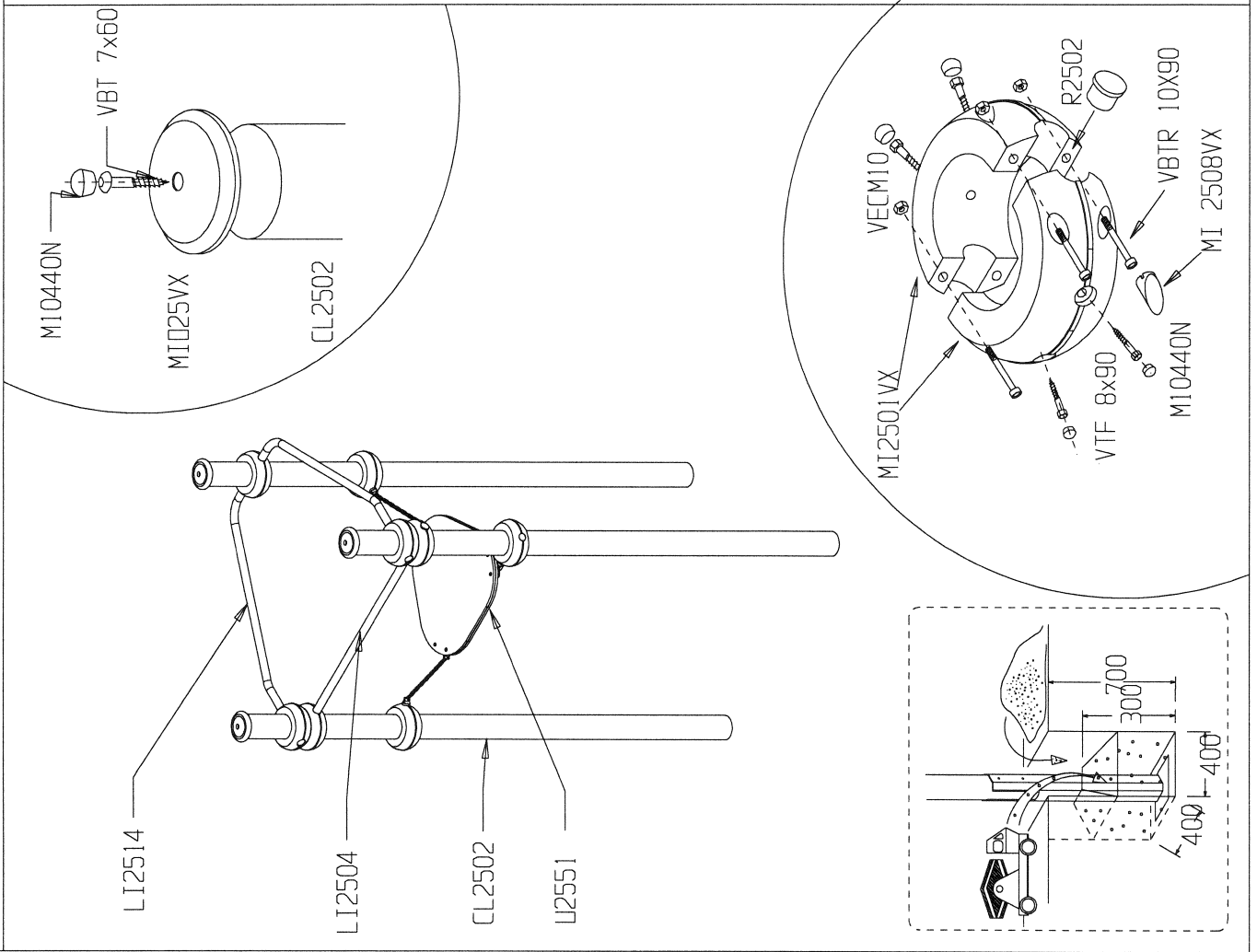
LA000



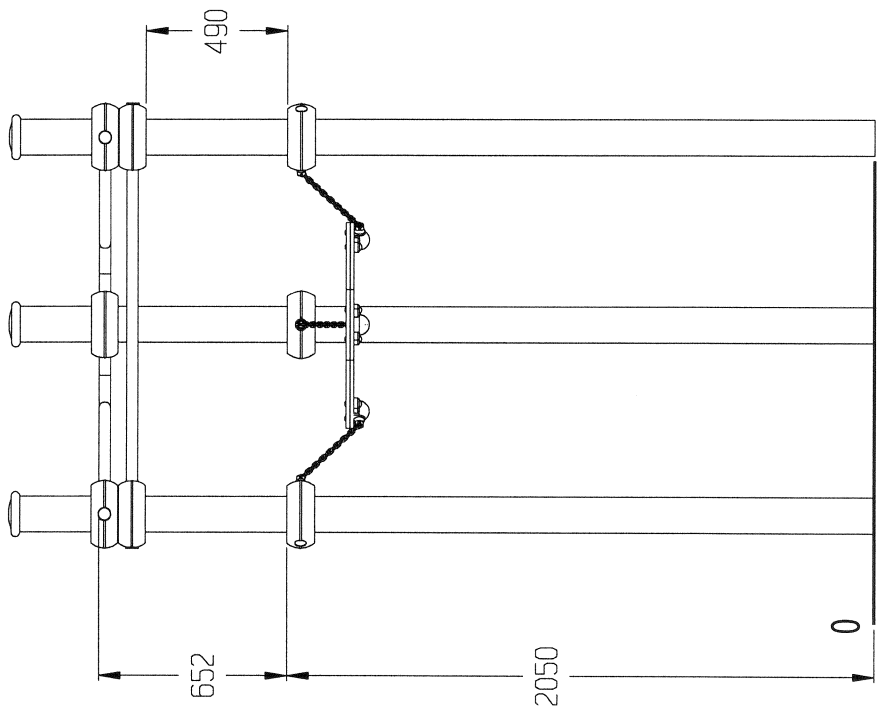
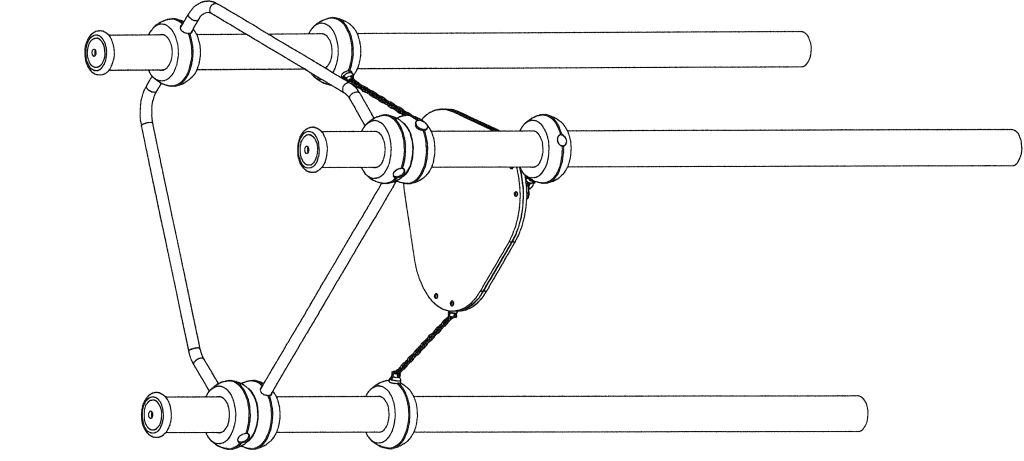
MI0002

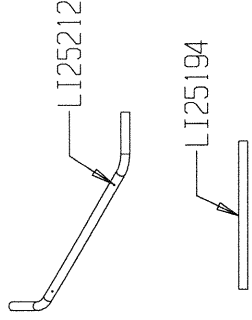
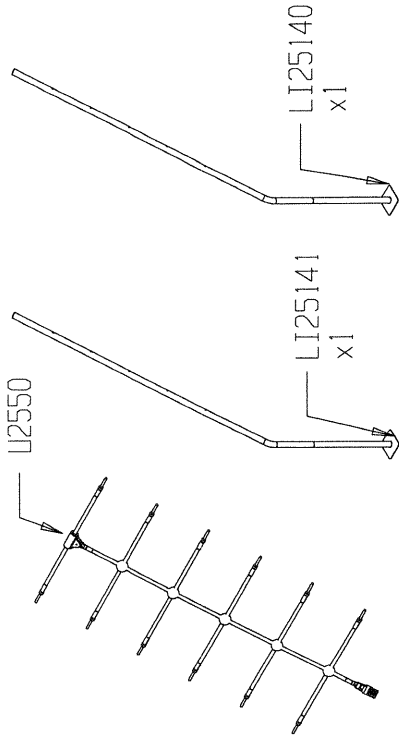
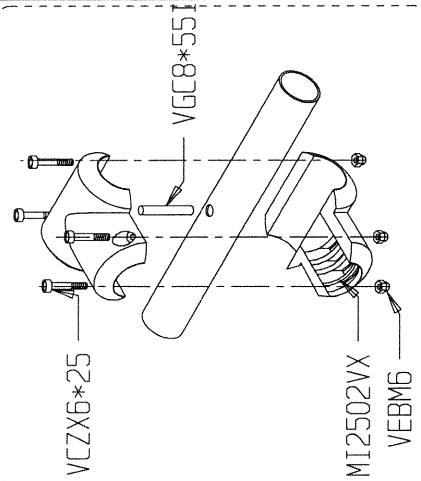
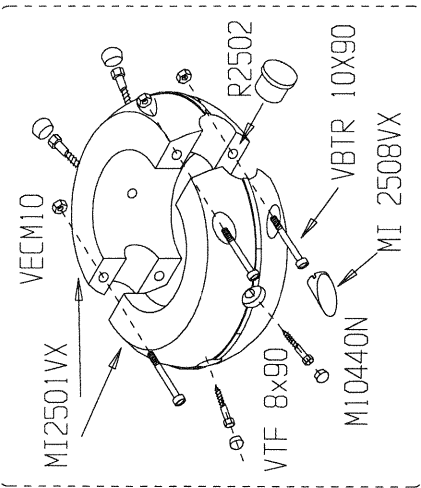
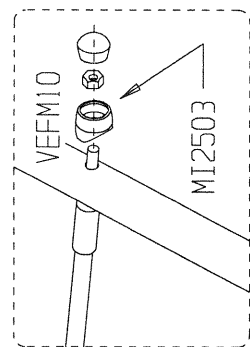




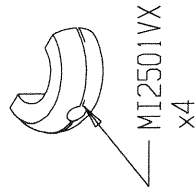


|  |             |    |
|--|-------------|----|
|  | VBT 7x60    | 3  |
|  | VTRCC10x140 | 3  |
|  | VTF 10x60   | 6  |
|  | VTF 8x90    | 32 |
|  | VBTR 10x90  | 32 |
|  | M10310N     | 9  |
|  | M10440N     | 44 |
|  | R 2502      | 7  |
|  | VECM10      | 35 |
|  | MI 2508VX   | 64 |





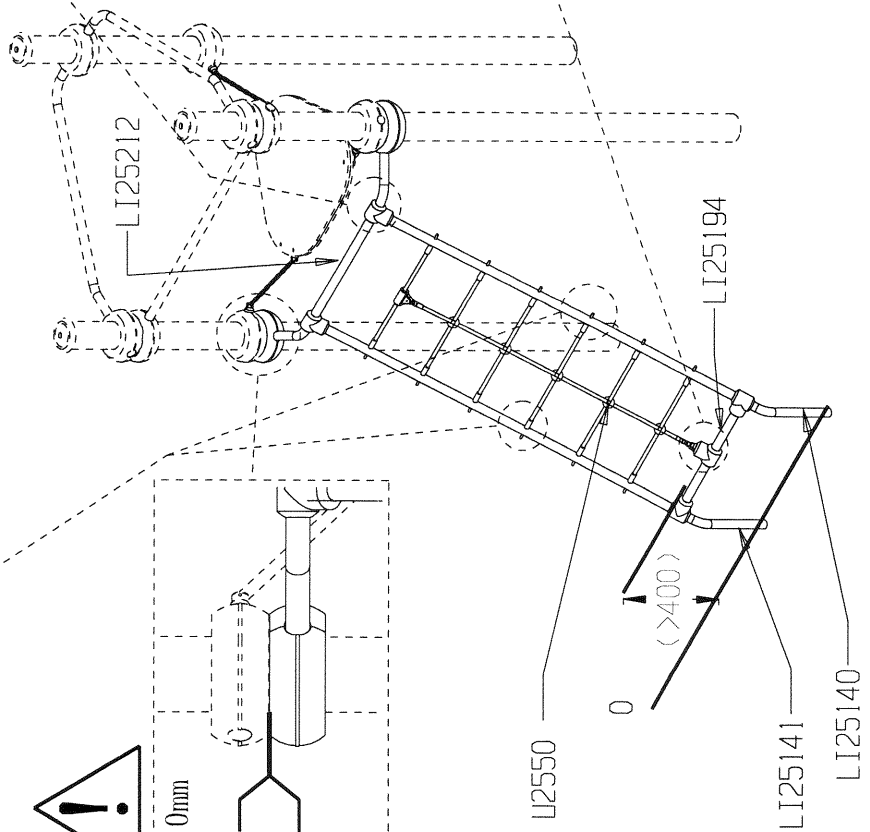
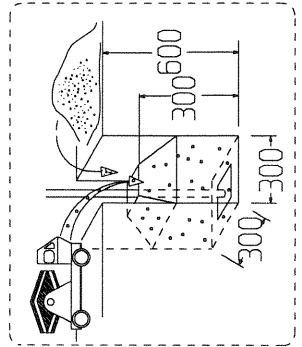
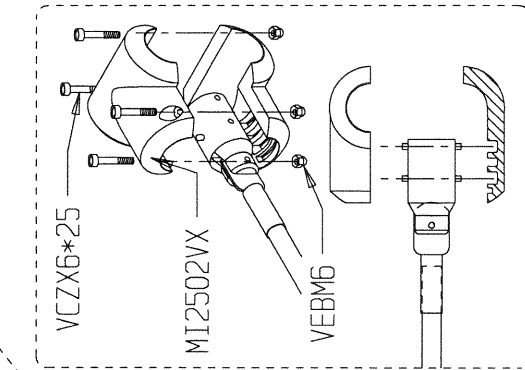
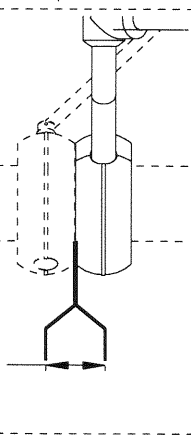
MI2502VX x 10



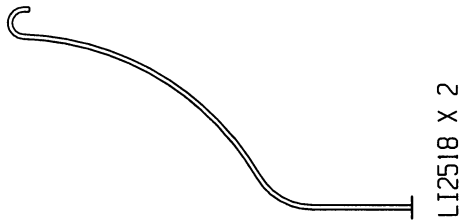
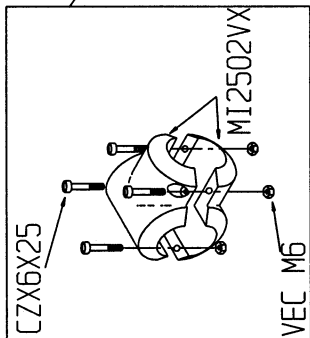
MI2501VX x4



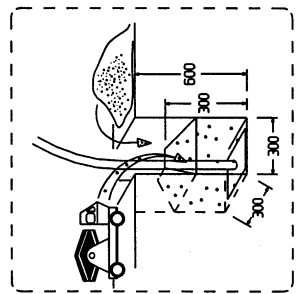
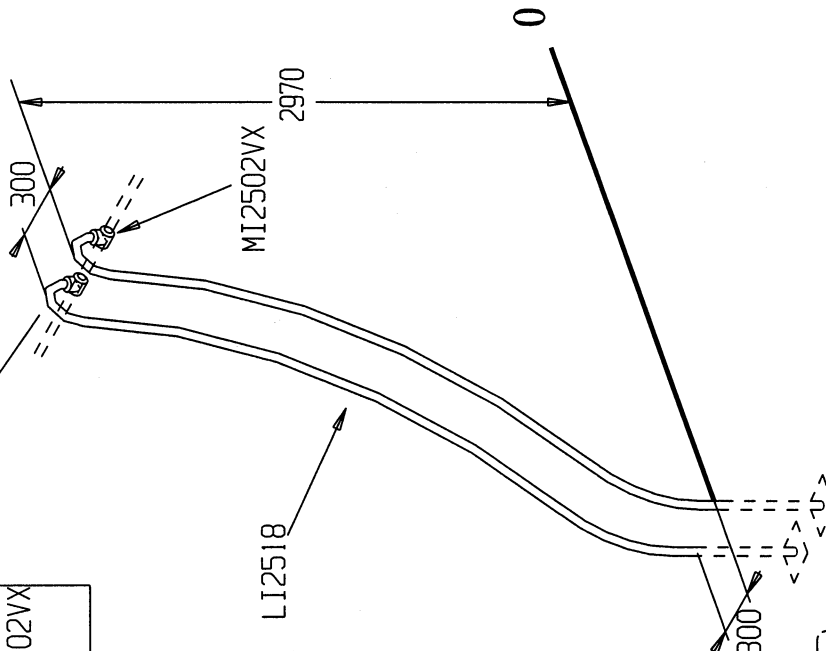
X = 0mm



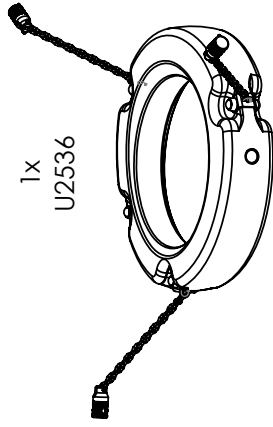
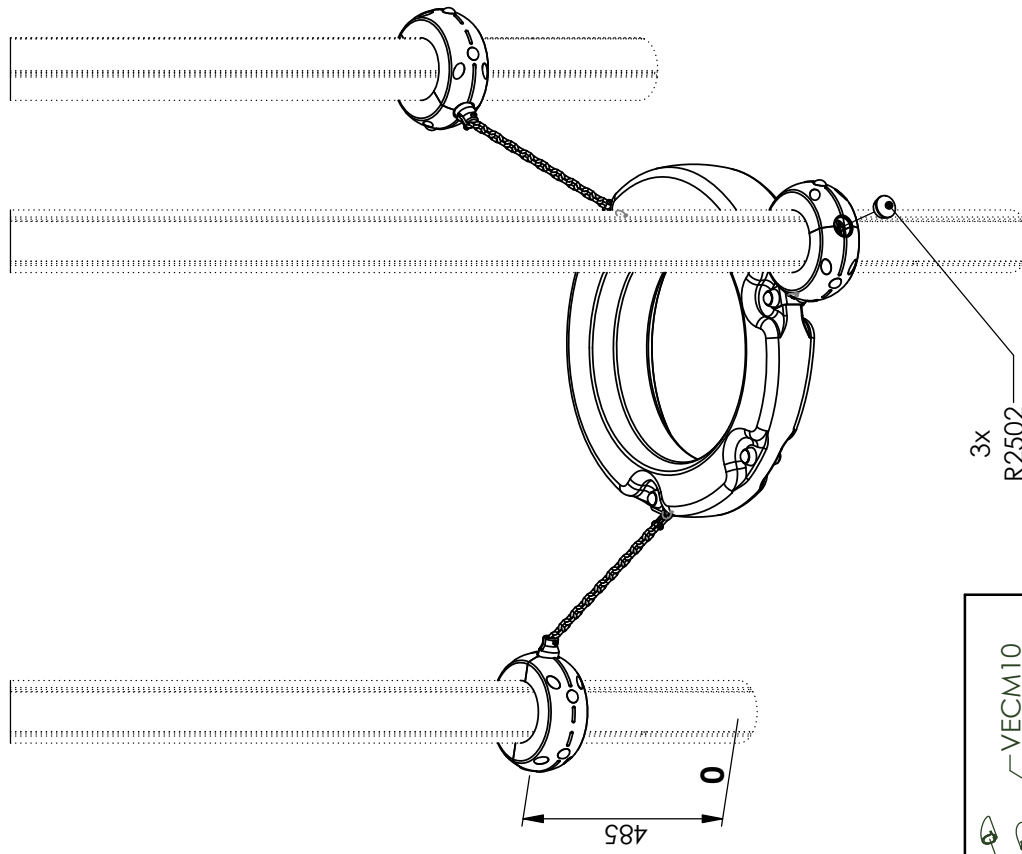
|  |            |    |
|--|------------|----|
|  | R 2502     | 2  |
|  | VTF 8x90   | 8  |
|  | VECM10     | 8  |
|  | VBTR 10x90 | 8  |
|  | MI0440 N   | 8  |
|  | MI 2508VX  | 16 |
|  | VGC8*55I   | 2  |
|  | VCZX 6x25  | 20 |
|  | VEBM6      | 20 |
|  | MI0440 N   | 12 |
|  | MI2503 N   | 12 |
|  | VEFM10     | 12 |



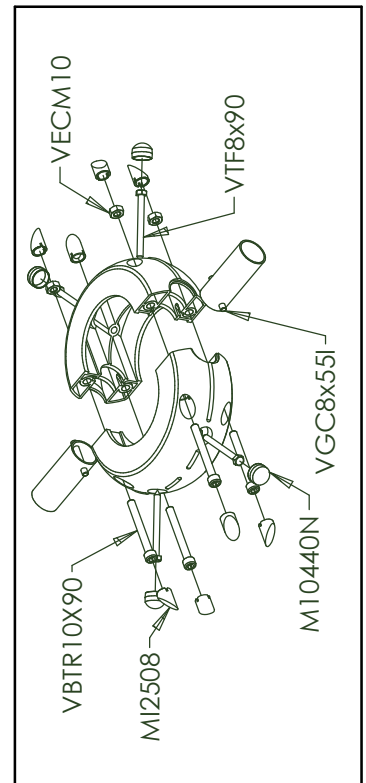
MI2502VX X 4



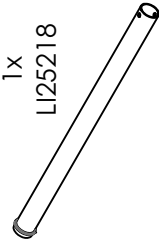
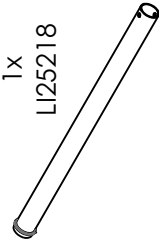


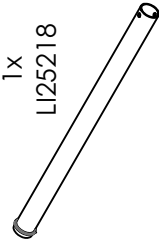

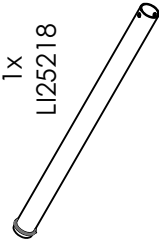

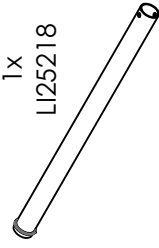

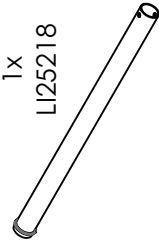

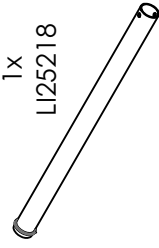

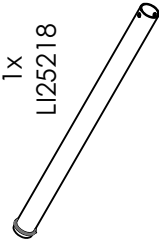

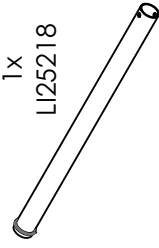

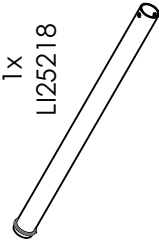

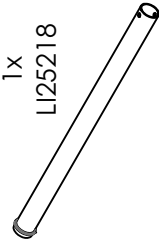

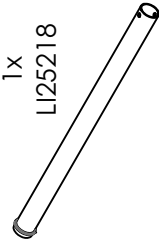

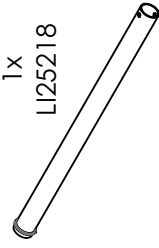

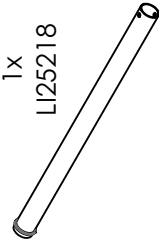

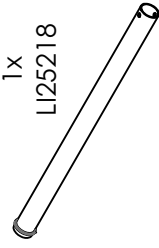

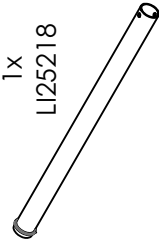

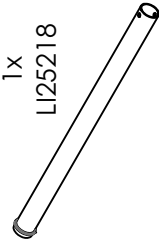

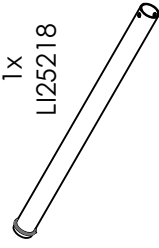

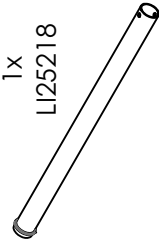

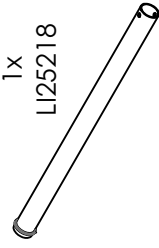

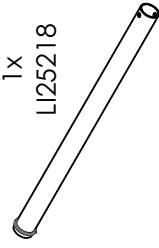

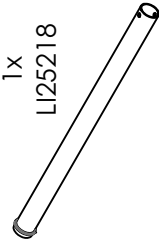

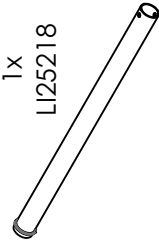

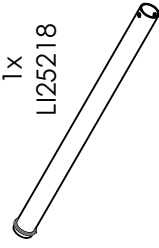

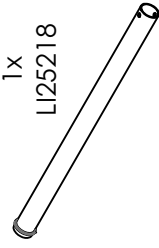

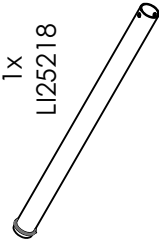

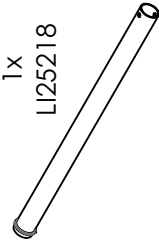

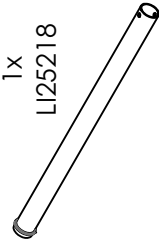

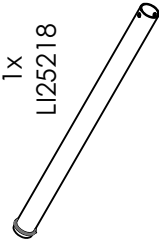

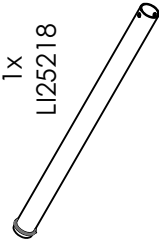

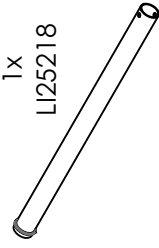

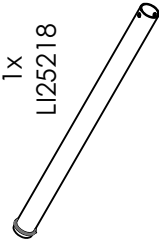

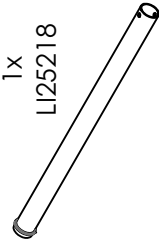
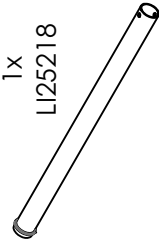
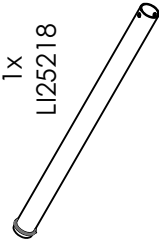
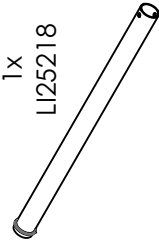
|   |           |   |
|---|-----------|---|
| ⊕ | VEC M6    | 8 |
| ⊕ | VCZX 6x25 | 8 |

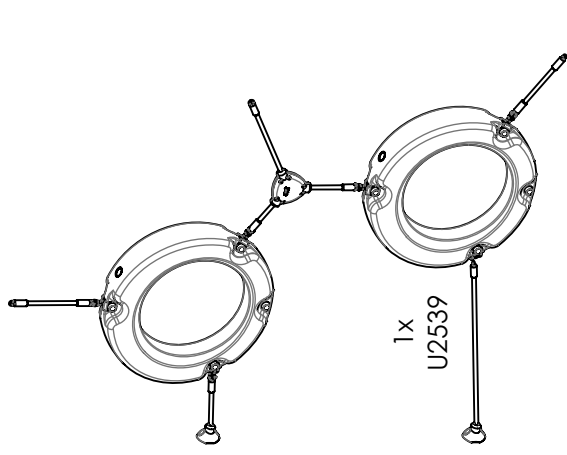


6x  
MI2501VX

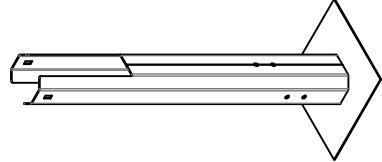


| Réf       | Qté |
|-----------|-----|
| M10440N   | 12  |
| MI2501VX  | 6   |
| MI2508    | 24  |
| R2502     | 3   |
| U2536     | 1   |
| VBTR10X90 | 12  |
| VECM10    | 12  |
| VTF8x90   | 12  |

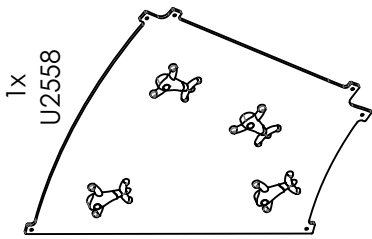
|             |  |    |             |  |    |             |    |
|-------------|--|----|-------------|--|----|-------------|----|
| CL2510      |   | 1x | LI25218     |   | 1x | LI25218     | 1  |
| LG2553      |  | 1x | CL2510      |  | 1x | LI25219     | 1  |
| LI033       |   | 1x | LI25219     |  | 1x | LI25219     | 1  |
| LI25216     |   | 1x | LI45298     |  | 2x | LI45298     | 2  |
| LI25217     |   | 1x | MI10310N    |  | 1x | MI10310N    | 15 |
| LI25218     |   | 1x | MI10440N    |  | 1x | MI10440N    | 35 |
| LI25219     |   | 1x | MI025VX     |  | 1x | MI025VX     | 1  |
| LI45298     |   | 2  | MI32N       |  | 1x | MI32N       | 3  |
| M10310N     |   | 15 | MI2501VX    |  | 1x | MI2501VX    | 8  |
| M10440N     |   | 35 | MI2502VX    |  | 2x | MI2502VX    | 6  |
| MI025VX     |   | 1  | MI2503N     |  | 1x | MI2503N     | 6  |
| MI32N       |   | 3  | MI2508      |  | 1x | MI2508      | 32 |
| MI2501VX    |   | 8  | MI3701N     |  | 1x | MI3701N     | 2  |
| MI2502VX    |   | 6  | PI053       |  | 2x | PI053       | 4  |
| MI2503N     |   | 6  | R2502       |  | 1x | R2502       | 4  |
| MI2508      |   | 32 | U2539       |  | 1x | U2539       | 1  |
| MI3701N     |   | 2  | U2558       |  | 1x | U2558       | 1  |
| PI053       |   | 4  | U2559       |  | 1x | U2559       | 1  |
| R2502       |   | 4  | VB17x60     |  | 1x | VB17x60     | 13 |
| U2539       |   | 1  | VBTR10X90   |  | 1x | VBTR10X90   | 16 |
| U2558       |   | 1  | VCBHC6x25I  |  | 1x | VCBHC6x25I  | 12 |
| U2559       |   | 1  | VCBHC10x40I |  | 1x | VCBHC10x40I | 4  |
| VB17x60     |   | 13 | VEBM6       |  | 1x | VEBM6       | 12 |
| VBTR10X90   |   | 16 | VECM10      |  | 1x | VECM10      | 16 |
| VCBHC6x25I  |   | 12 | VEFM10      |  | 1x | VEFM10      | 16 |
| VCBHC10x40I |   | 4  | VGC8x55I    |  | 1x | VGC8x55I    | 4  |
| VEBM6       |   | 12 | VTF8x90     |  | 1x | VTF8x90     | 16 |
| VECM10      |   | 16 | VTF10x60    |  | 1x | VTF10x60    | 2  |
| VEFM10      |   | 16 | VTRCC10x140 |  | 1x | VTRCC10x140 | 1  |
| VGC8x55I    |   | 4  | LI4505      |  | 1x | LI4505      | 8  |
| VTF8x90     |   | 16 | VCBHC10x30I |  | 1x | VCBHC10x30I | 8  |
| VTF10x60    |   | 2  | VGC8x55I    |  | 1x | VGC8x55I    | 1  |
| VTRCC10x140 |   | 1  |             |  |    |             |    |
| LI4505      |   | 8  |             |  |    |             |    |
| VCBHC10x30I |   | 8  |             |  |    |             |    |
| VGC8x55I    |   | 1  |             |  |    |             |    |



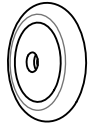
1x LG2553



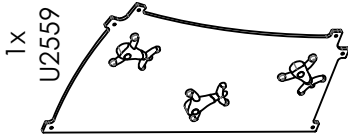
8x LI4505



1x MI025VX



8x MI2501VX



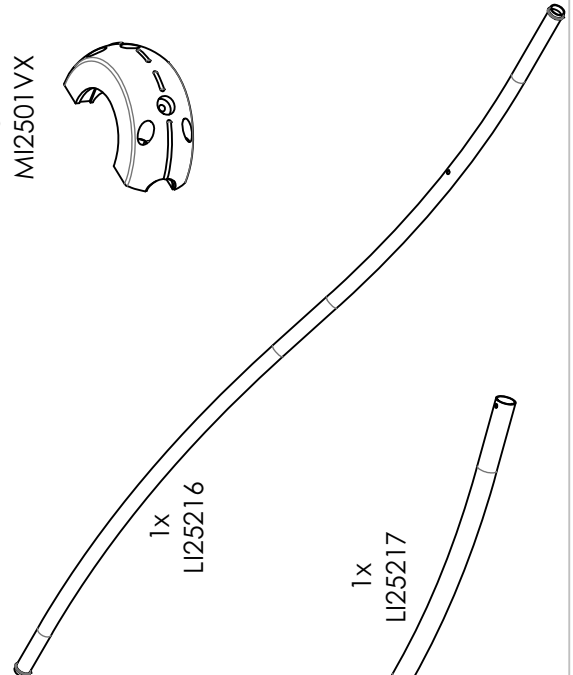
6x MI2502VX



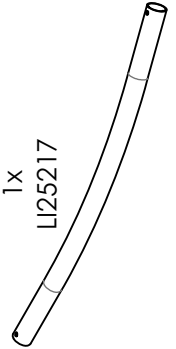
2x LI45298

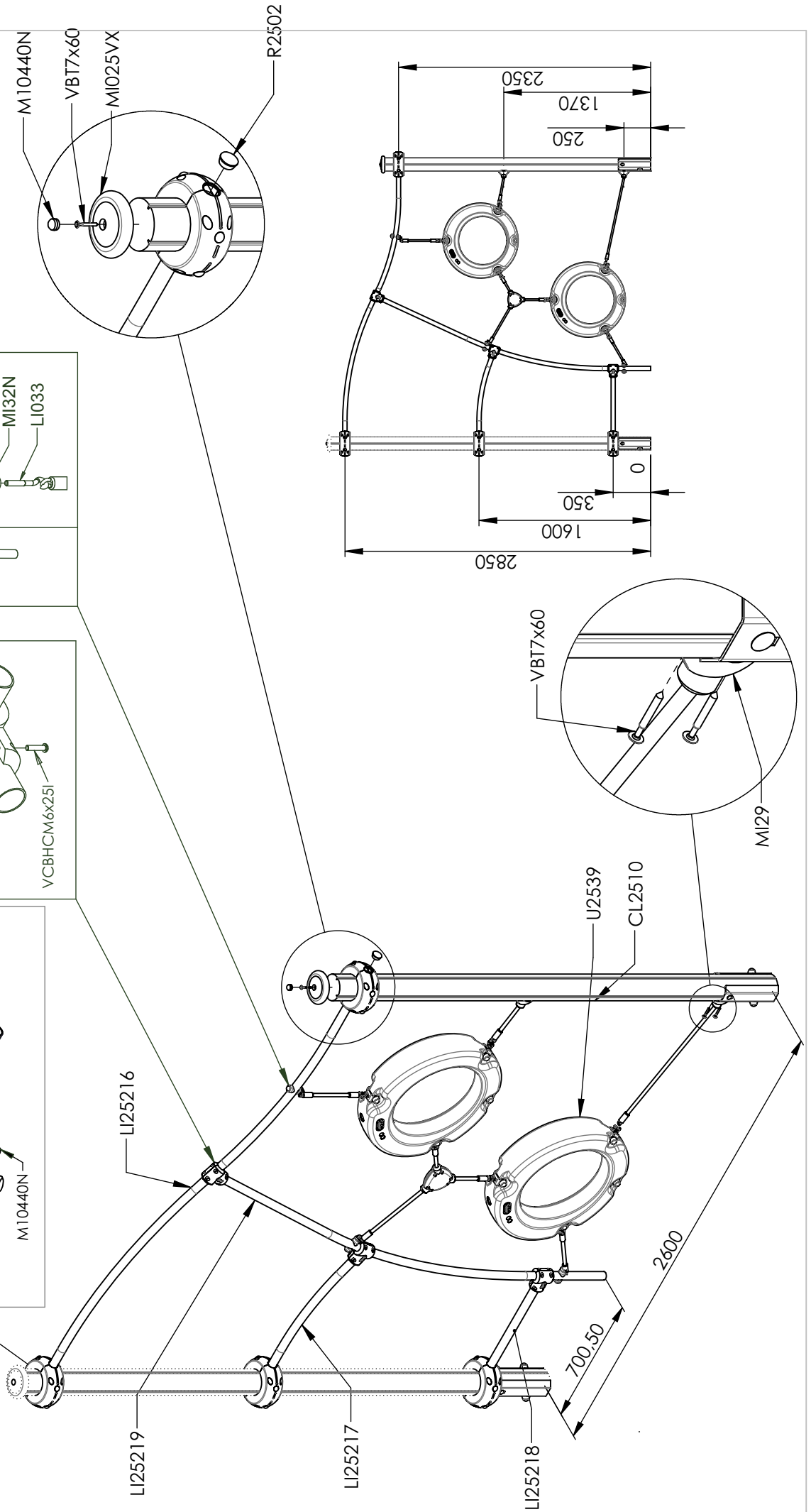
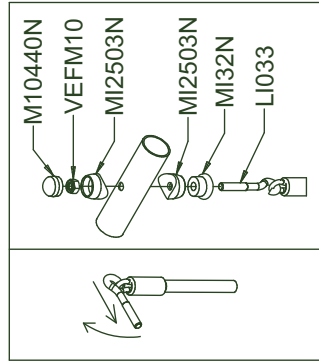
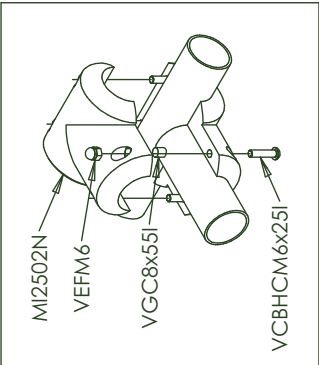
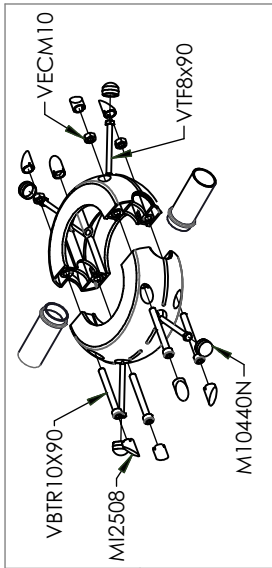


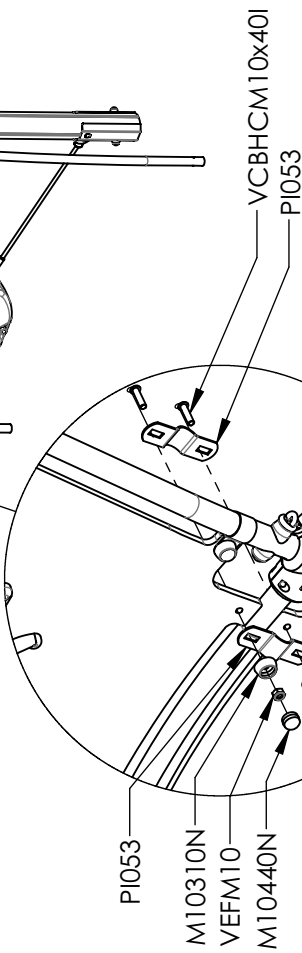
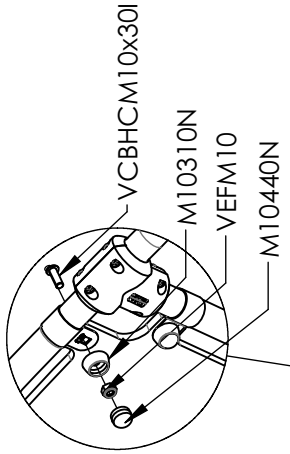
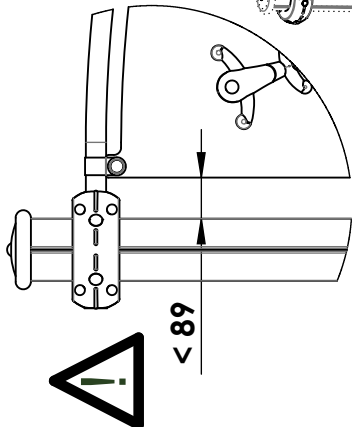
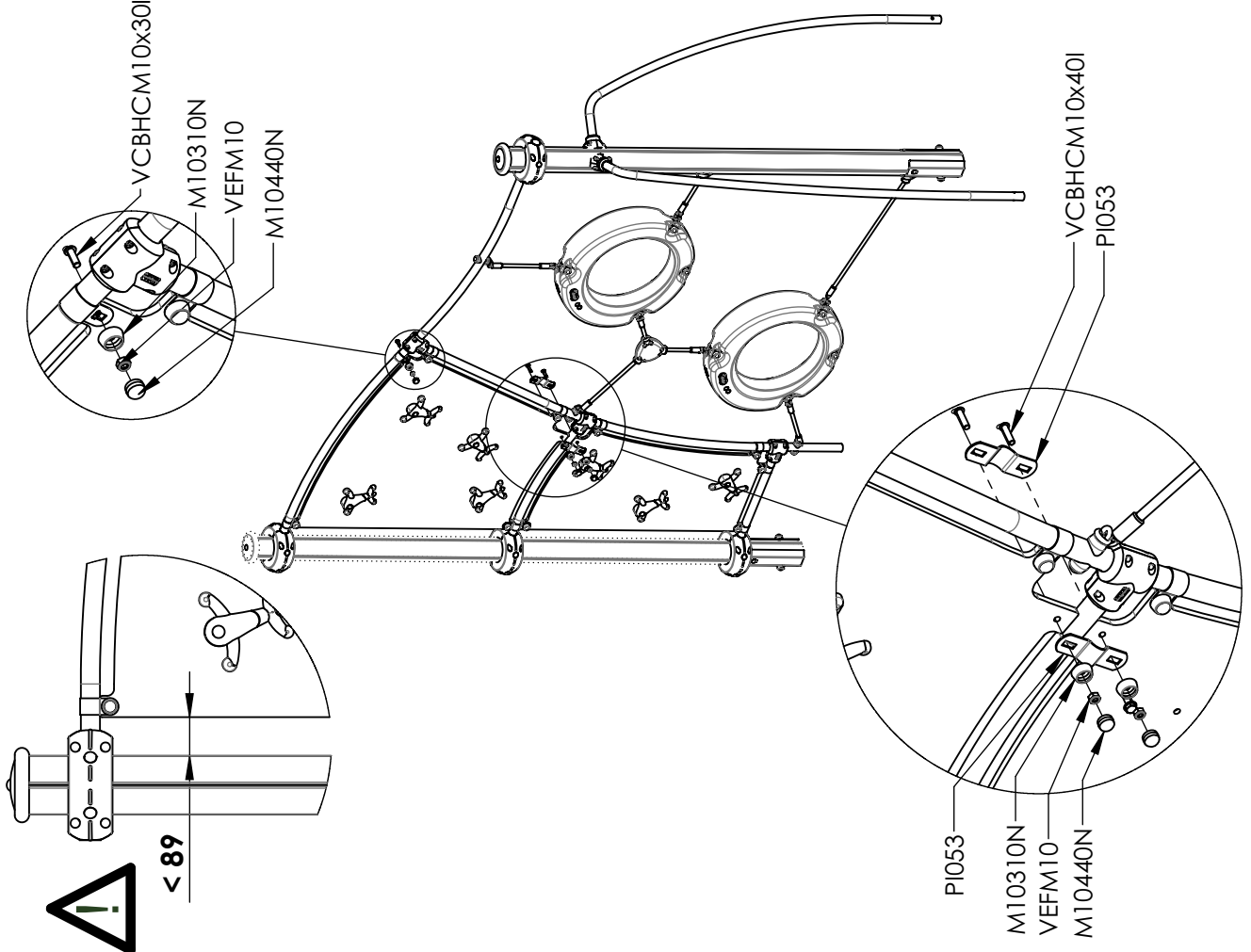
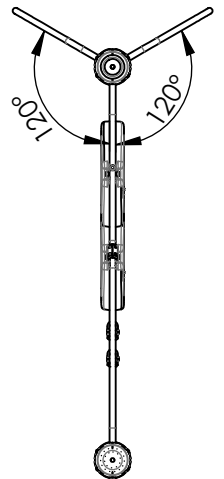
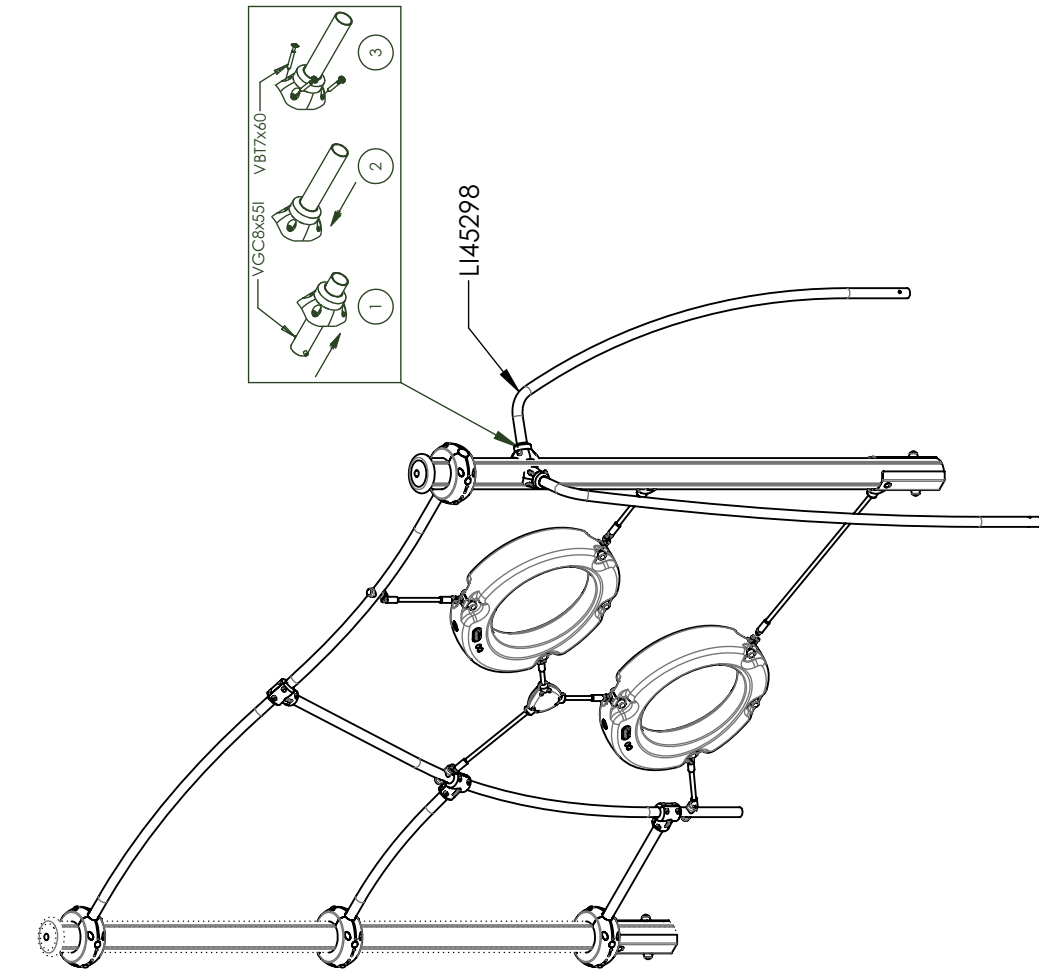
1x LI25216



1x LI25217



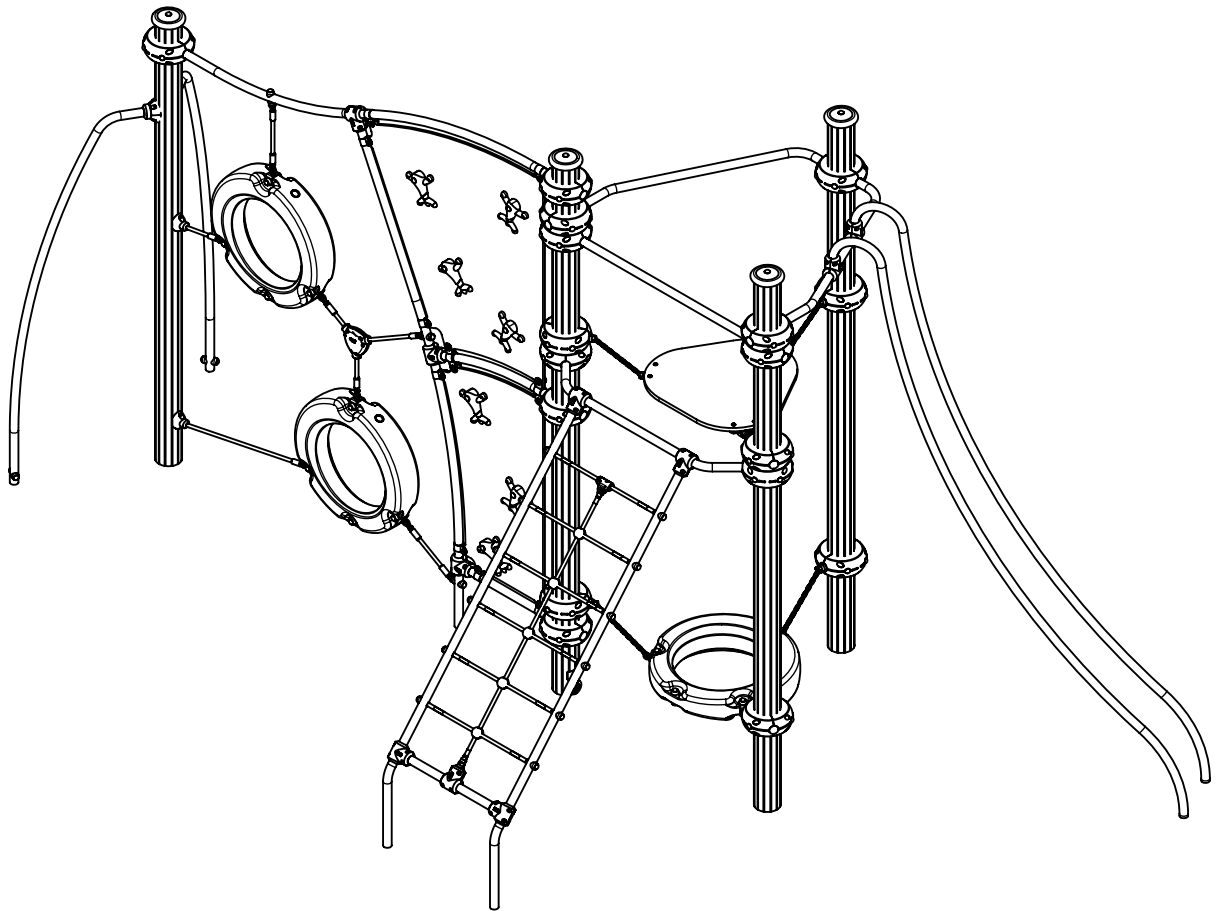






# J2584M

*Proludic*





| N° |        |                   |
|----|--------|-------------------|
| 1  | 0.6 m  | 2 m <sup>2</sup>  |
| 2  | 1.95 m | 18 m <sup>2</sup> |
| 3  | 2.9 m  | 28 m <sup>2</sup> |

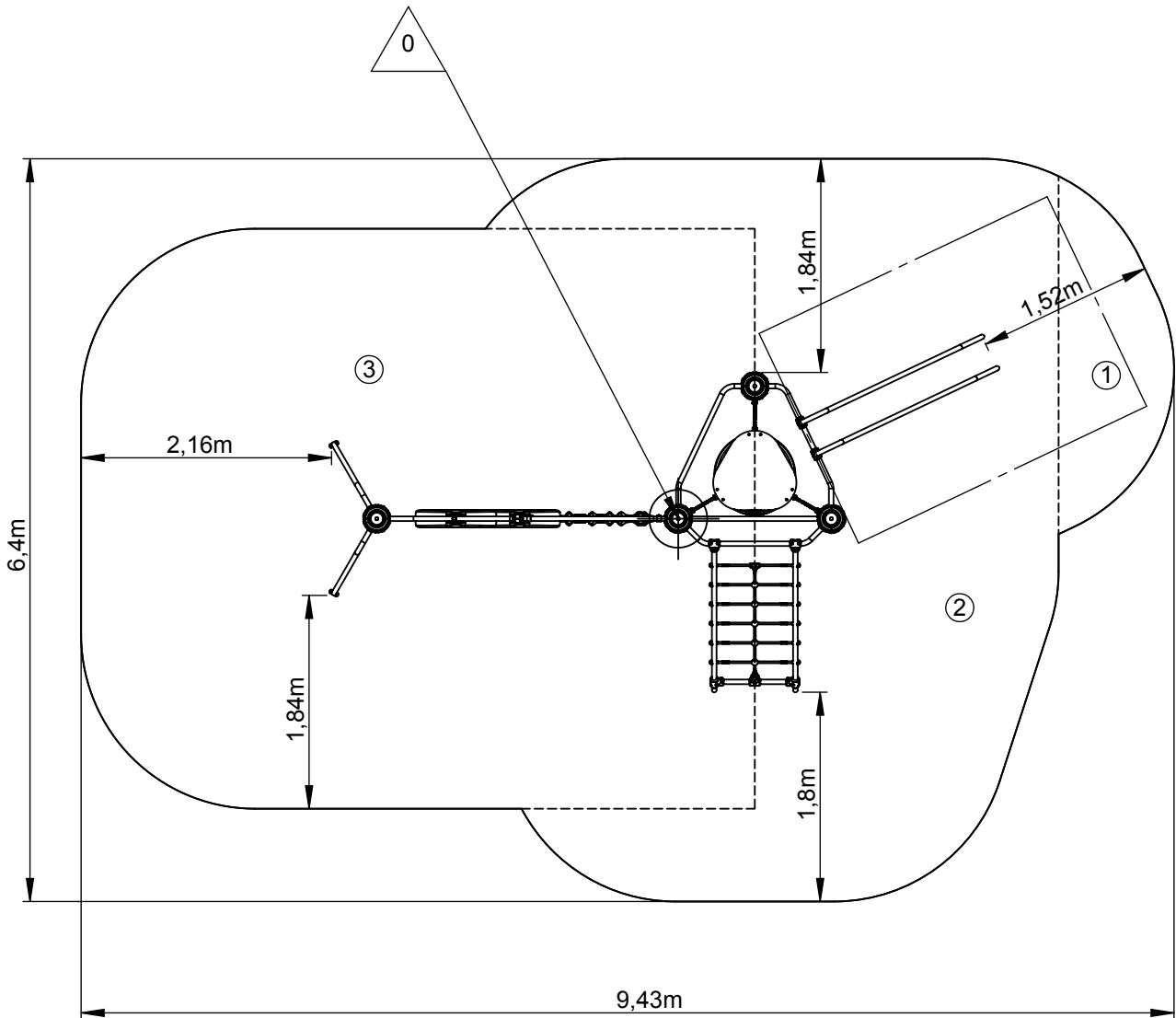
— Zone d'impact  
Impact area  
Area de impacto  
Fallraum  
Valzone

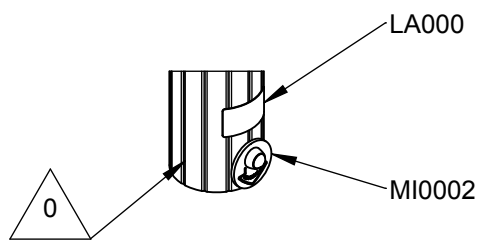
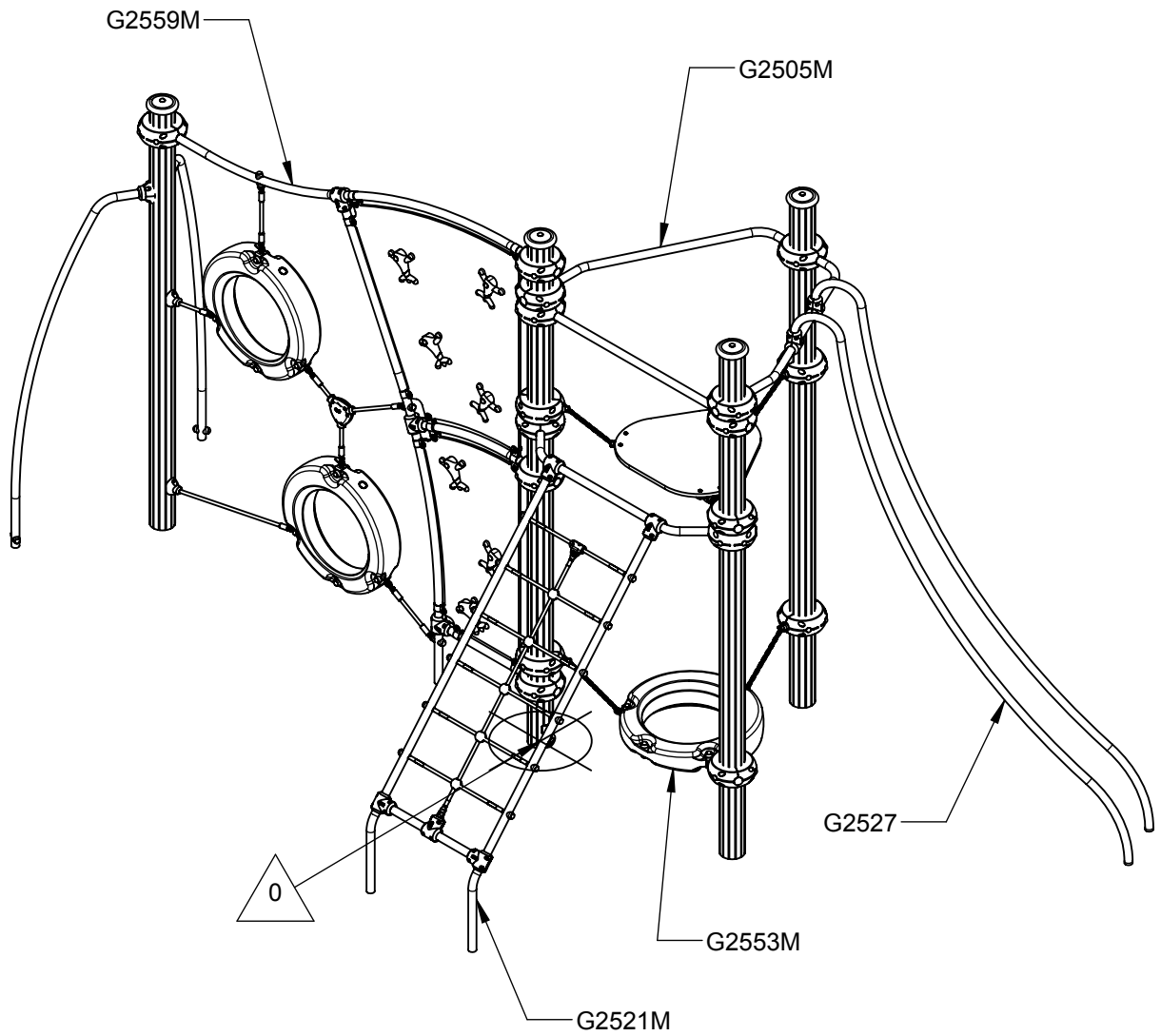


Point de référence  
Setting out point  
Punto de referencia  
Bezugspunkt  
Referentiepunt

- - - Espace libre  
Free space  
Espacio libre  
Freiraum  
Vrije ruimte

EN1176-1 : 2017

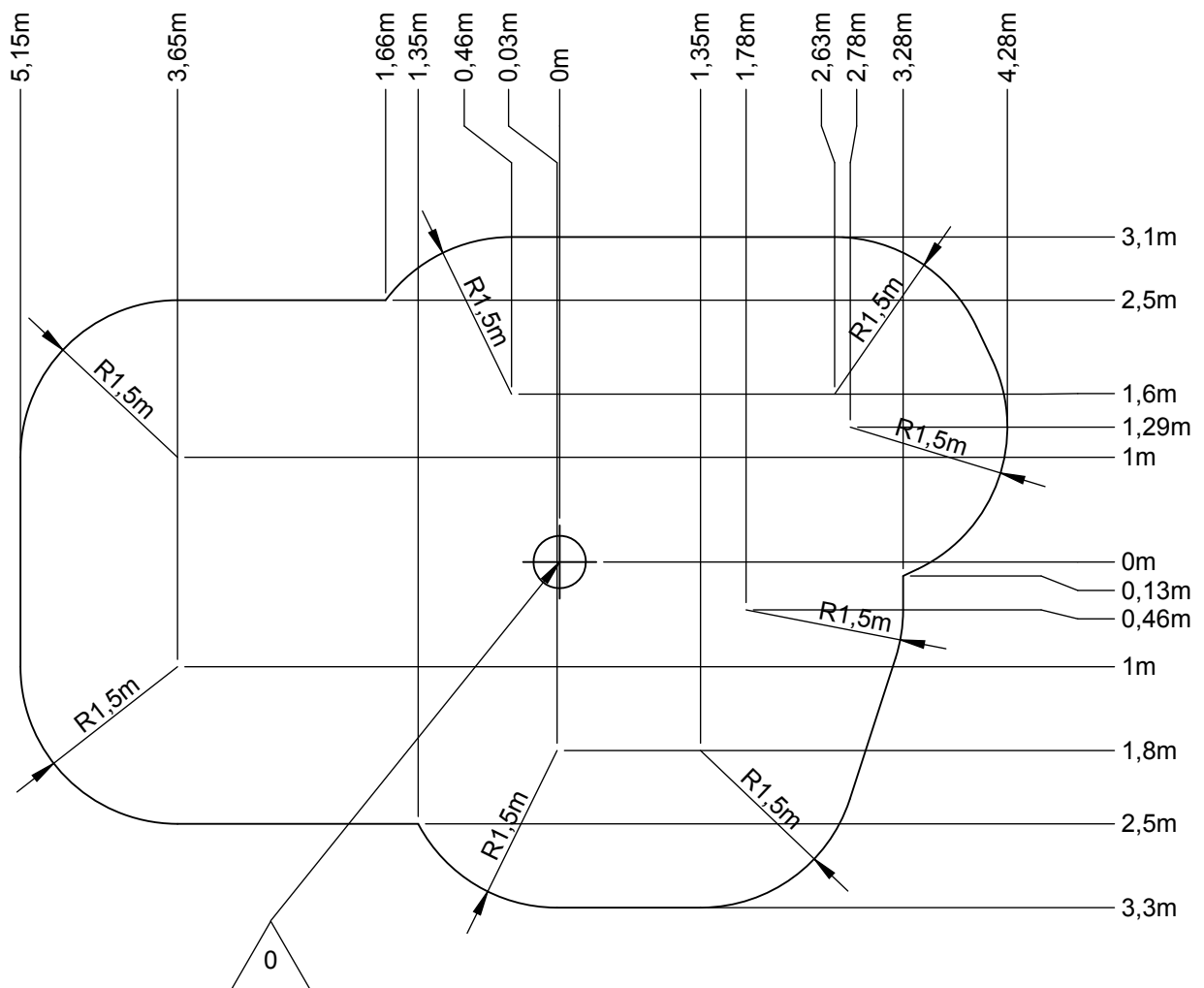




|          |   |
|----------|---|
| G2505M   | 1 |
| G2521M   | 1 |
| G2527    | 1 |
| G2553M   | 1 |
| G2559M   | 1 |
| LA000    | 1 |
| M8310N   | 1 |
| M8440N   | 1 |
| MI0002   | 1 |
| VTH6x30A | 1 |

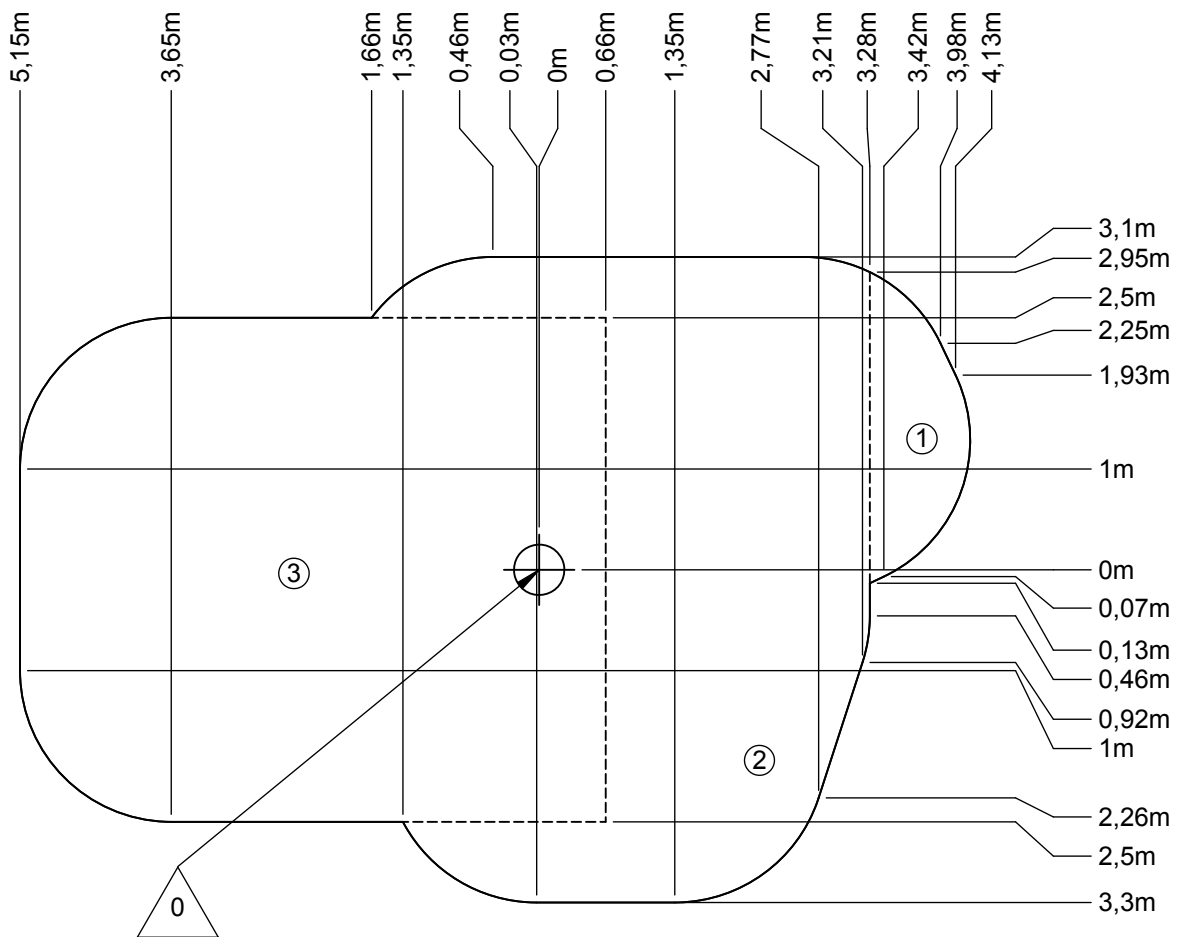
— Zone d'impact  
 Impact area  
 Area de impacto  
 Fallraum  
 Valzone

48 m<sup>2</sup>



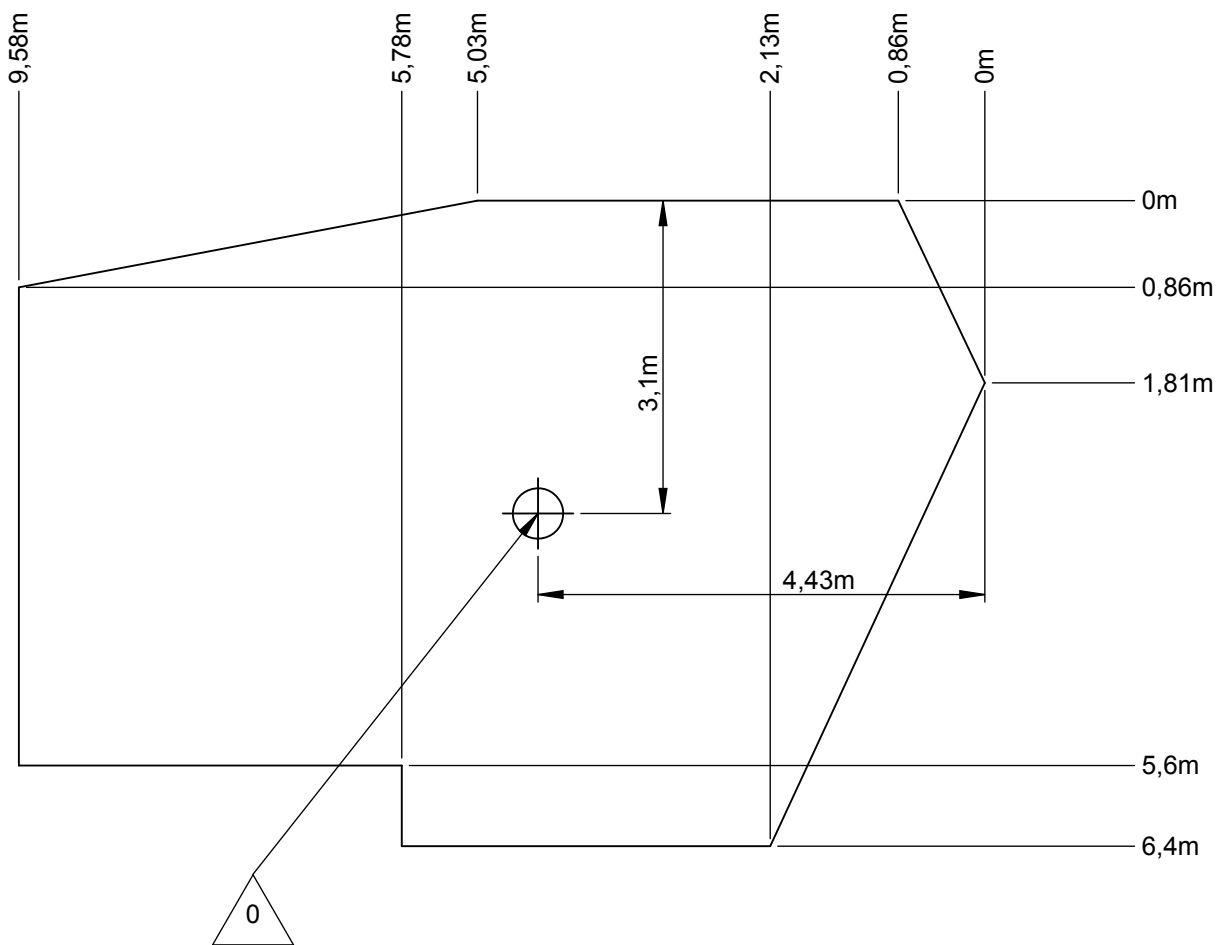
— Sol souple  
 — Wetpour  
 — Caucho continuo  
 — Synthetischer fallschutz  
 — Gietvloer

48 m<sup>2</sup>

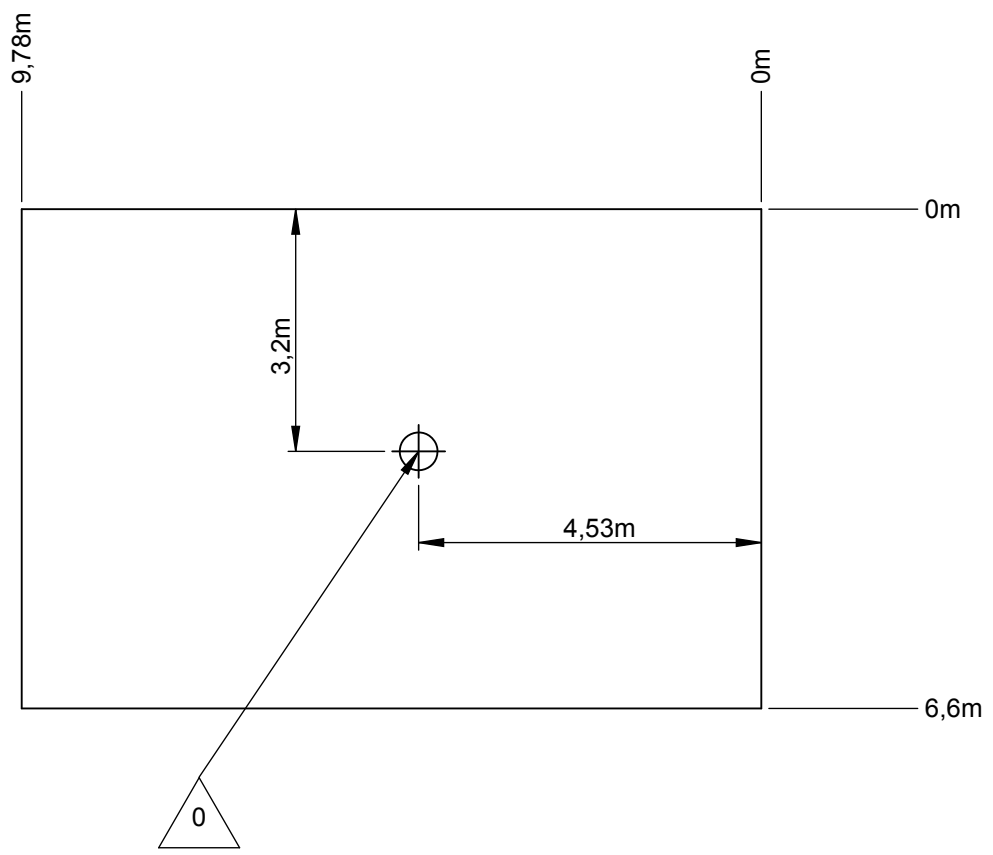


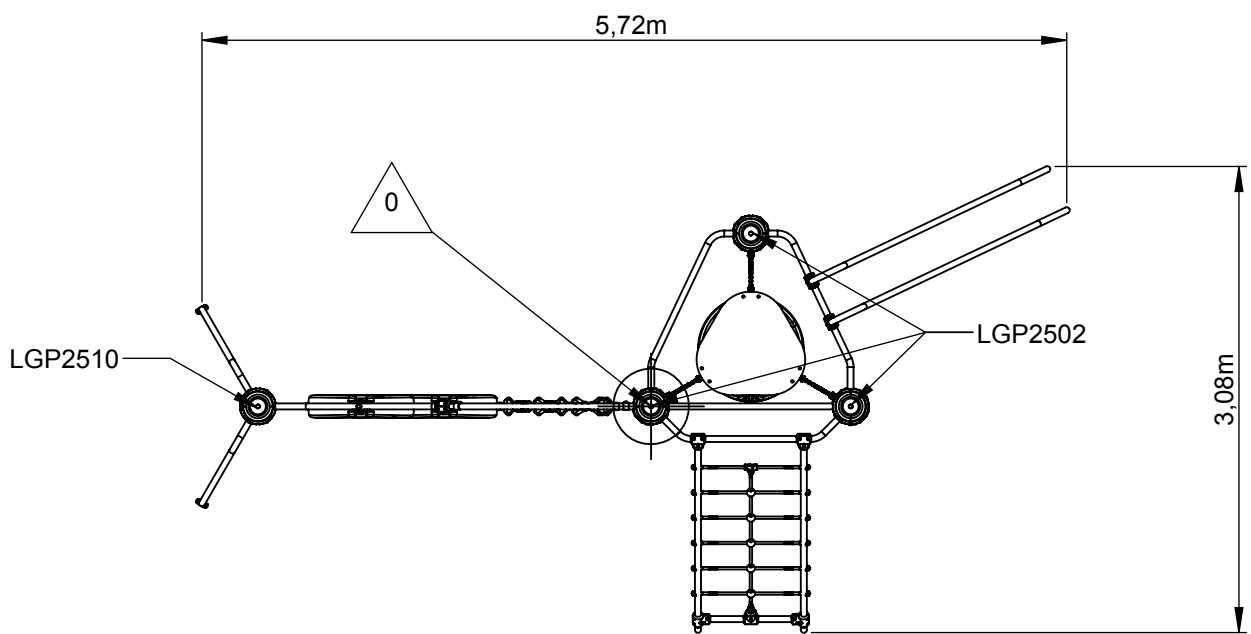
— Dalle béton  
 Concrete pad  
 Solera de hormigon  
 Beton bodenplatte  
 Betonnen bodemplaat

29 m  
 51 m<sup>2</sup>

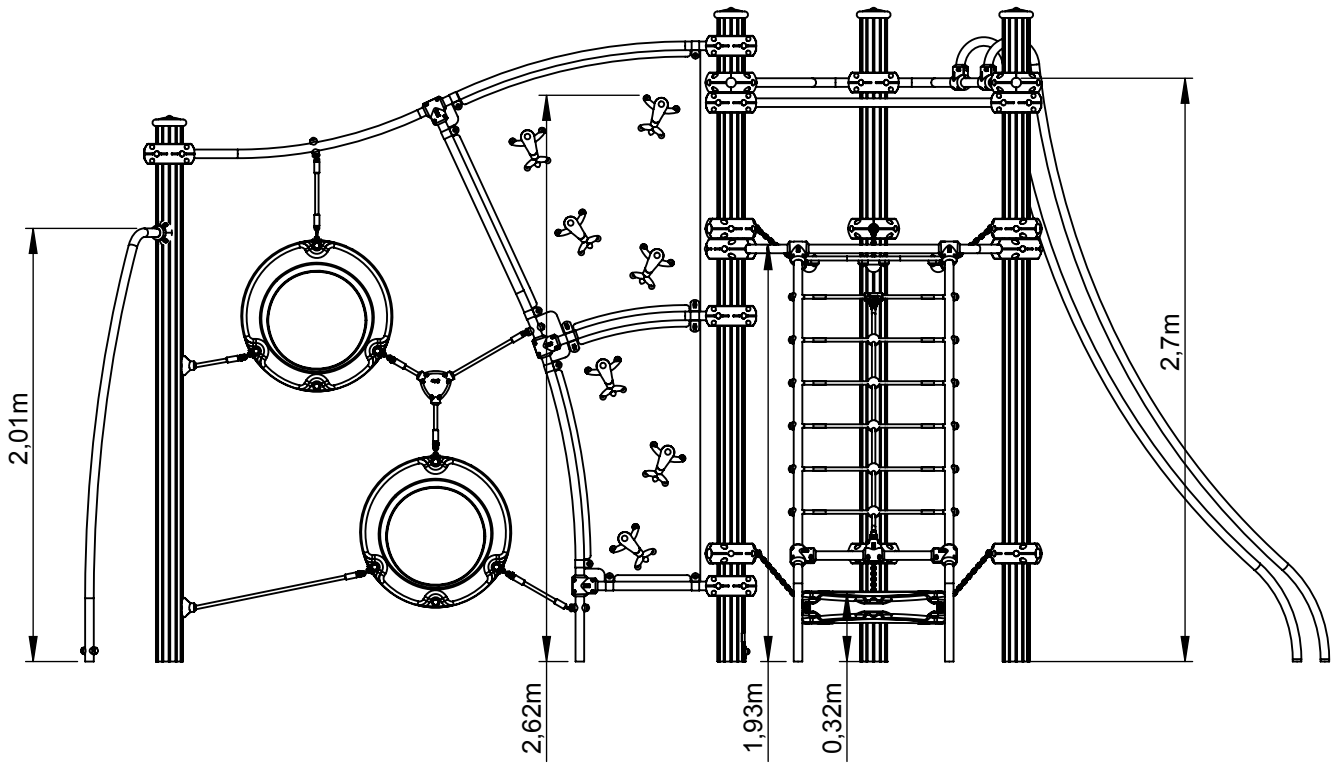


— Sol fluent  
Loos partucule material 33 m  
Arenero  
Loses Bodenmaterial 65 m<sup>2</sup>  
Los bodemateriaal

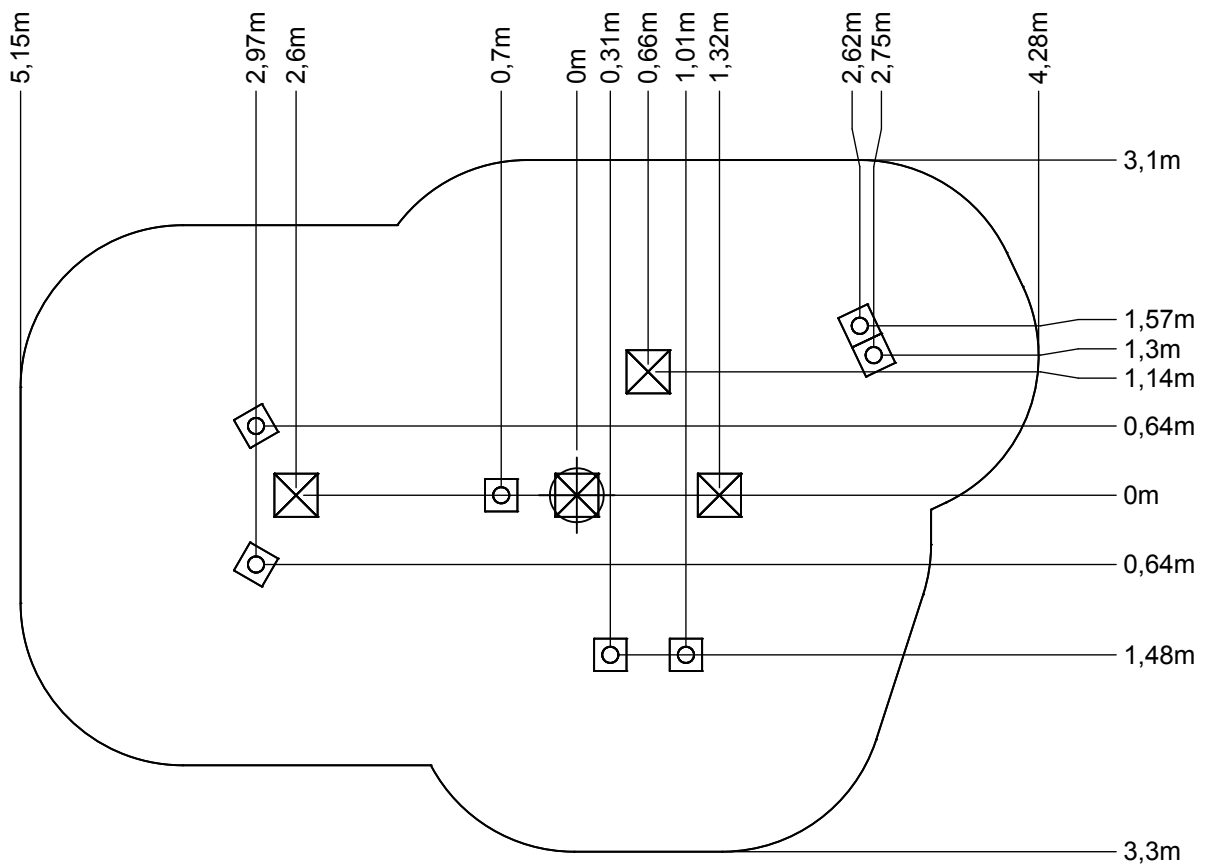








Implantation  
 Footing plan  
 Implantación  
 Fundamentplan  
 Funderingstekening





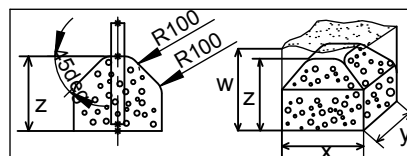
x2






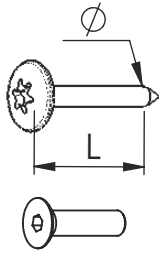
6H



0.6 m<sup>3</sup>

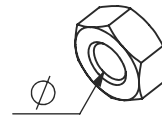


|   | x   | y   | z   | w   |
|---|-----|-----|-----|-----|
|  | 0.3 | 0.3 | 0.3 | 0.6 |
|  | 0.4 | 0.4 | 0.6 | 0.8 |
|  | 0.7 | 0.7 | 0.5 | 0.7 |



VBT 6 x 30  
 $\varnothing$   $\uparrow$  L (mm)

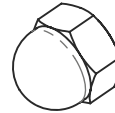
VFHC



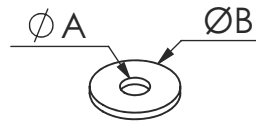
VEC M10  
 $\varnothing$



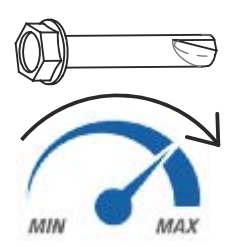
VEF



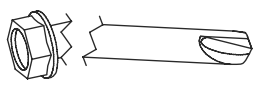
VEB



VR6x18  
 $\varnothing A$   $\varnothing B$

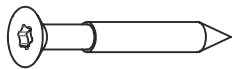


**VTHA**



**1000 - 1800 tr/min**  
 Vitesse de rotation  
 Rotation speed

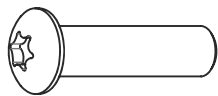
**14 N.m**  
 Couple de rupture  
 Torque of break



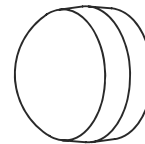
VWT



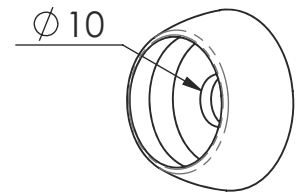
VGC



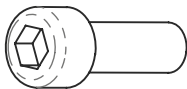
VCBHC



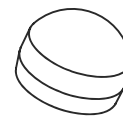
M10 440N



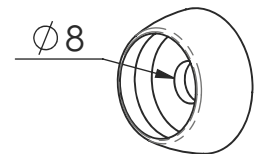
M10 310 N



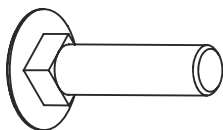
VBTR



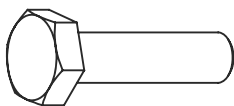
M8440N



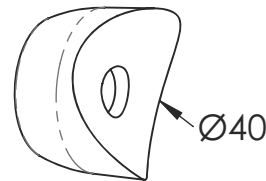
M8310N



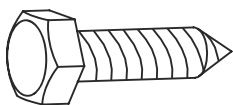
VTRCC



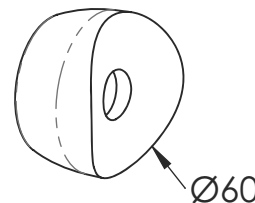
VTH



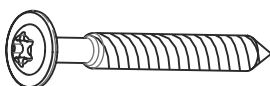
MI2503



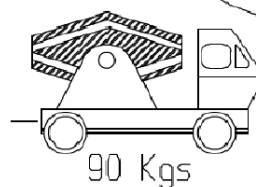
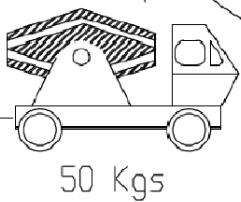
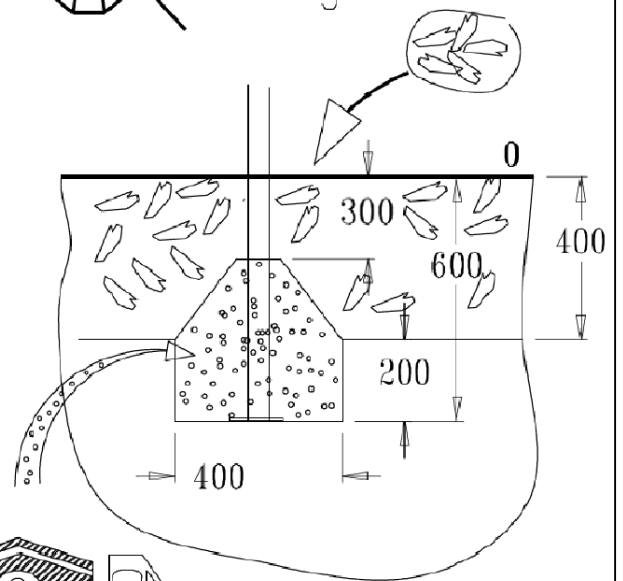
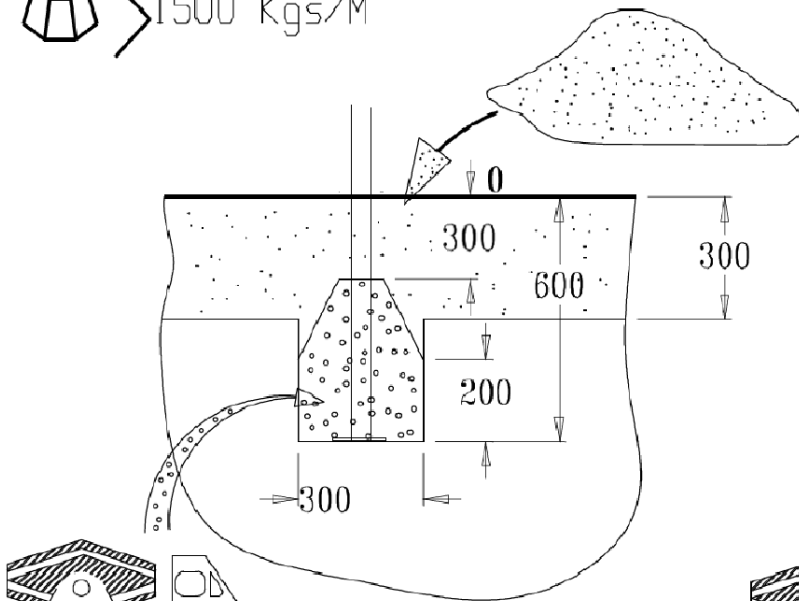
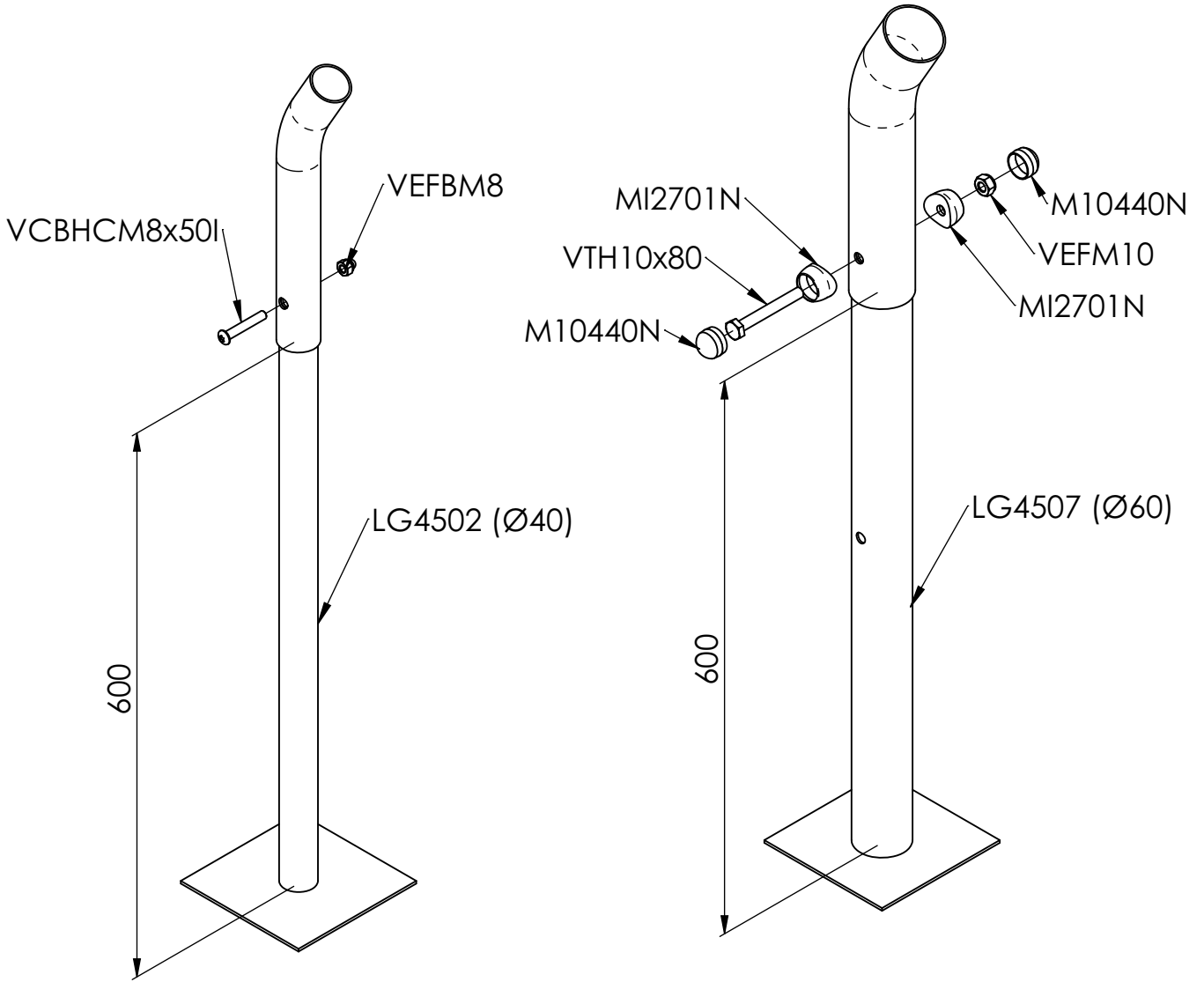
VTF

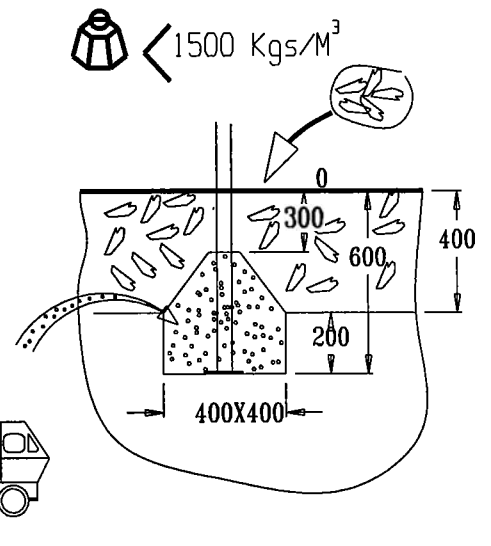
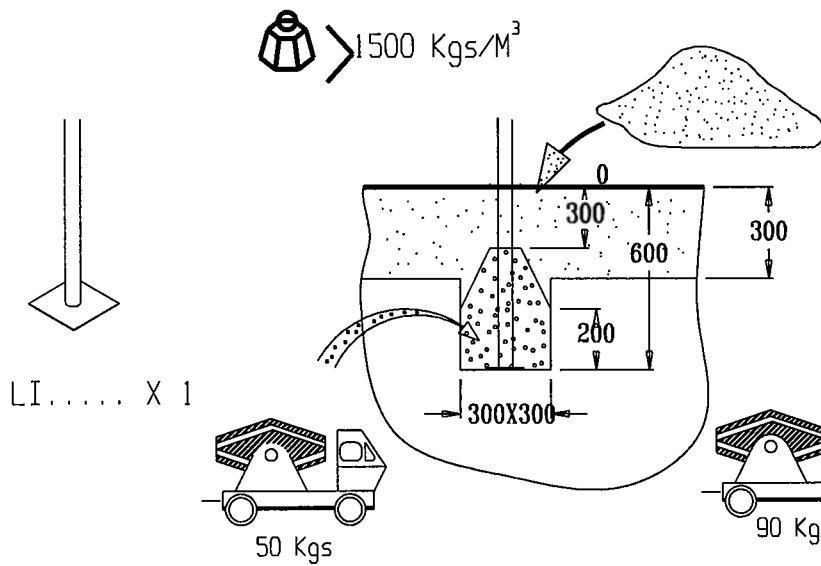
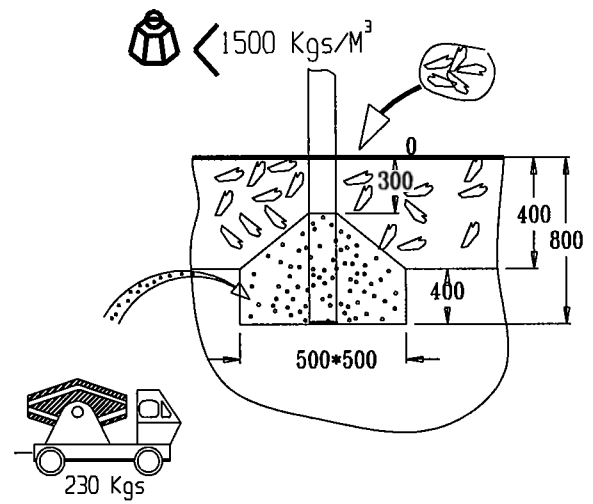
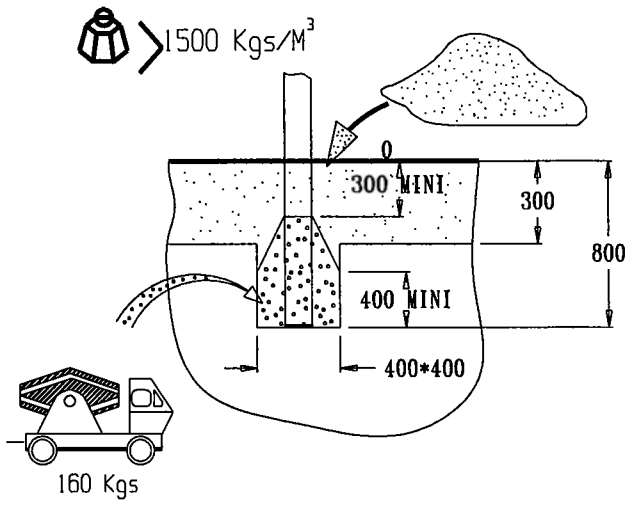
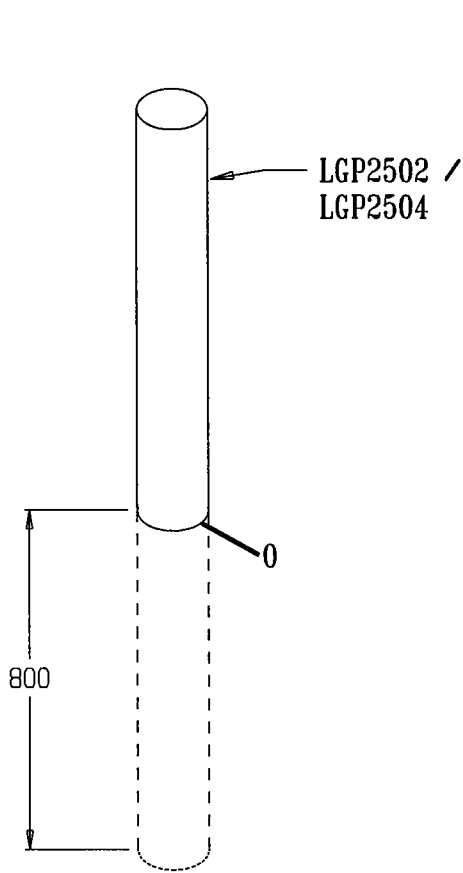


MI2701

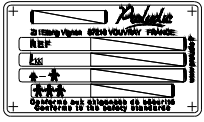


VBT

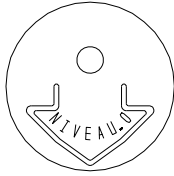




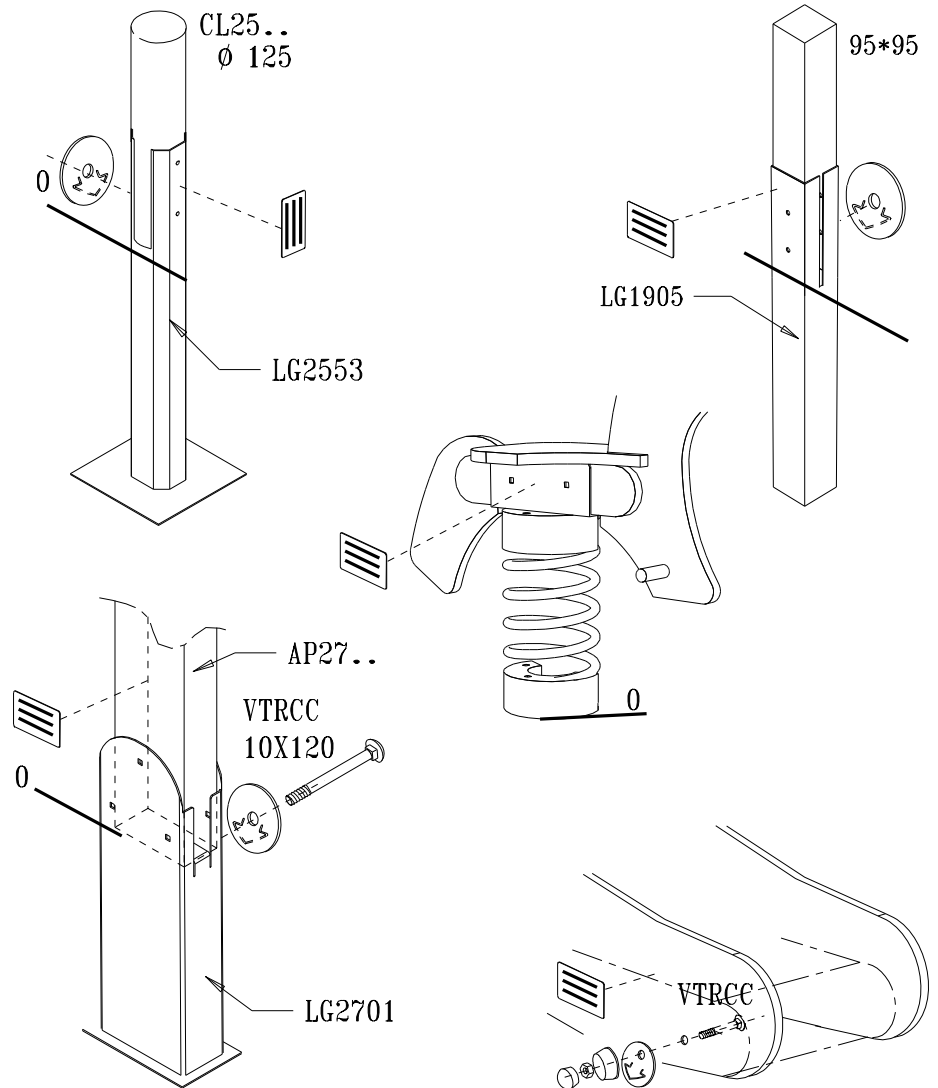
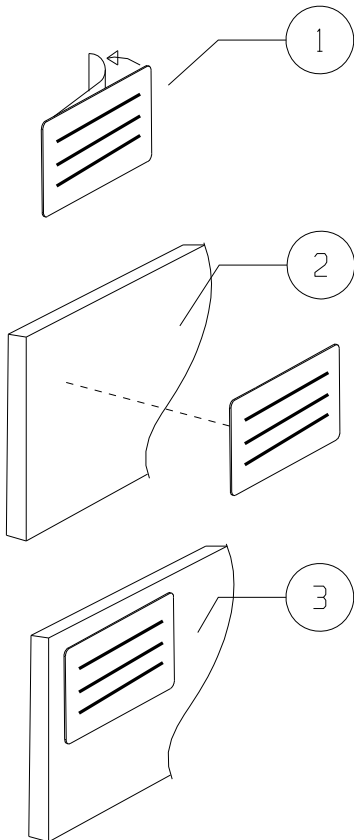
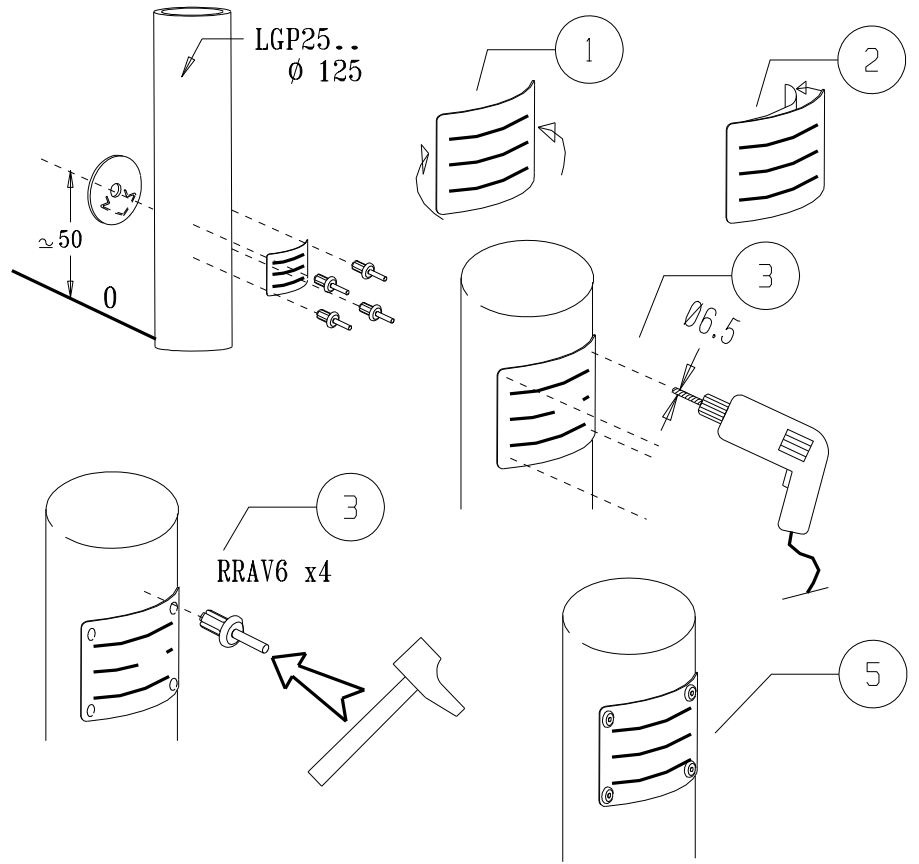
LI..... X 1

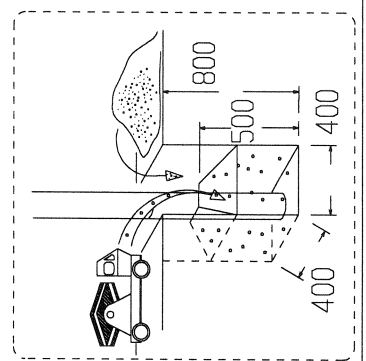
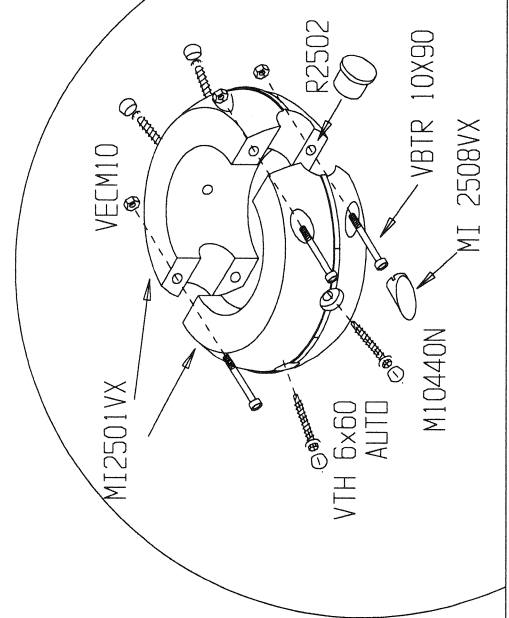
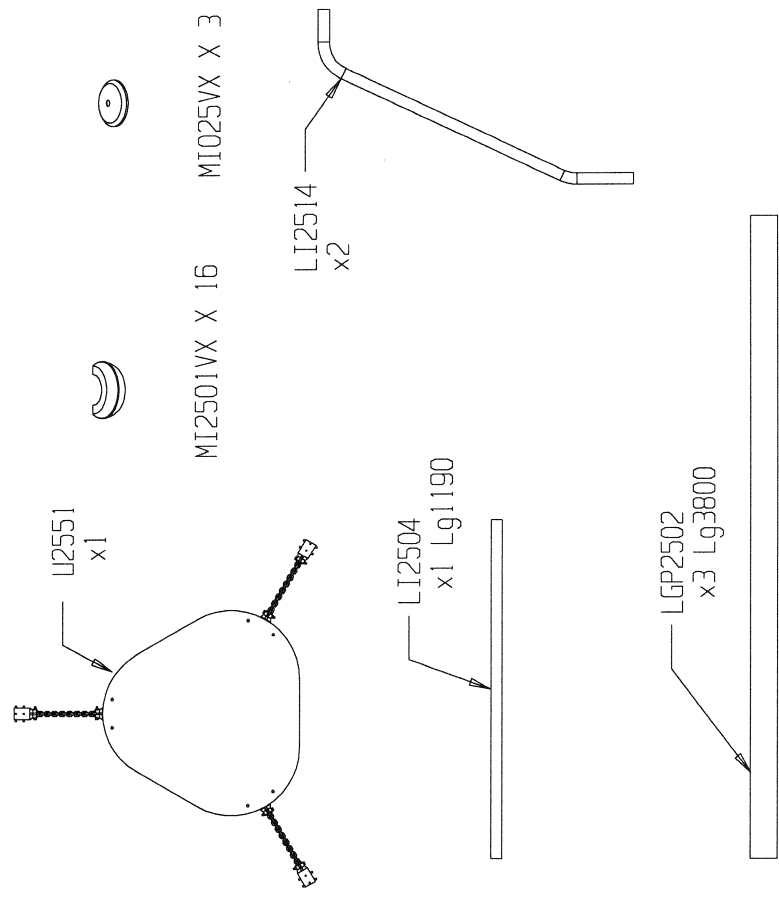
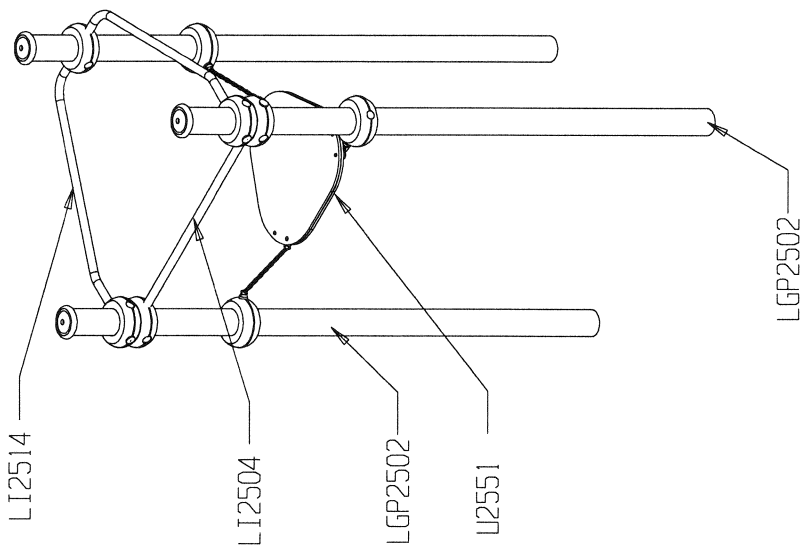


LA000

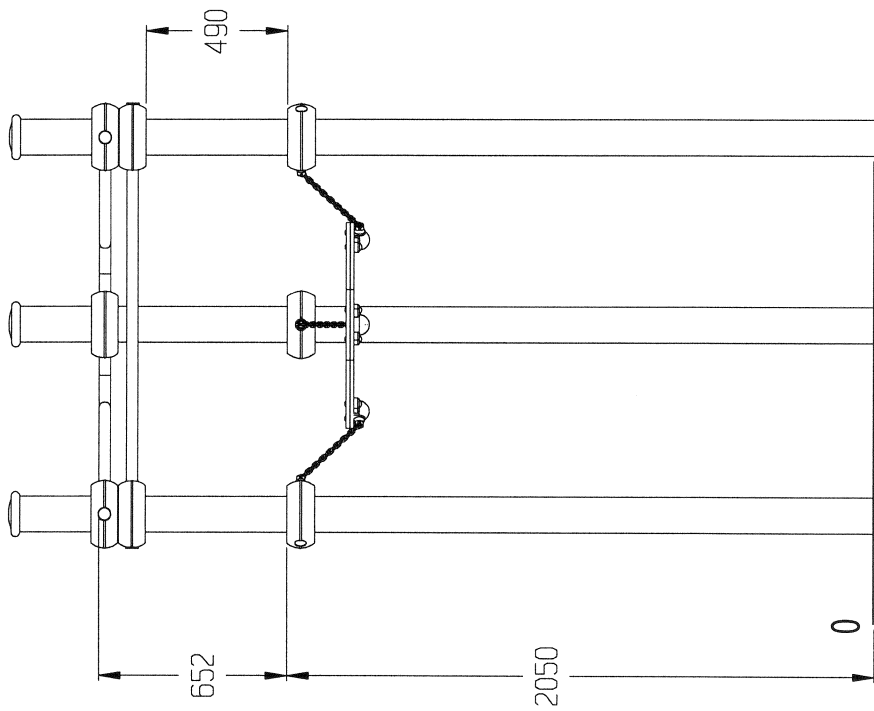
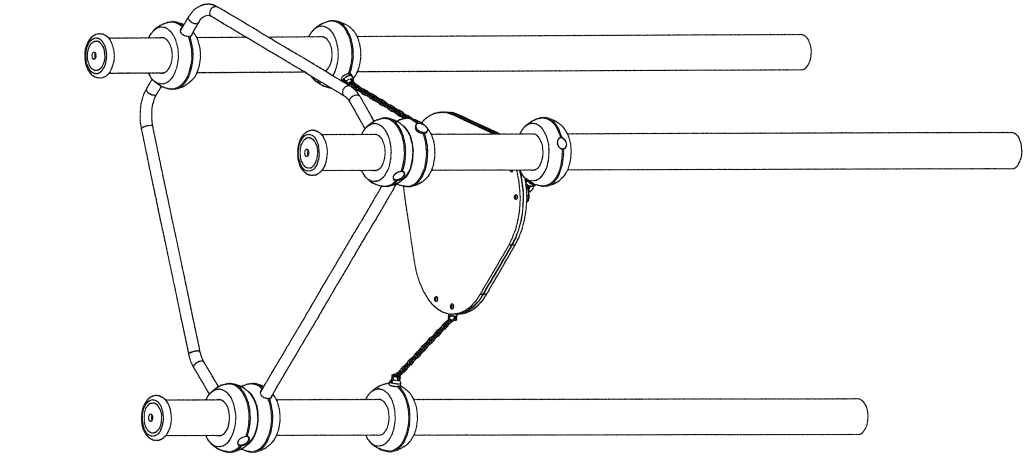


MI0002

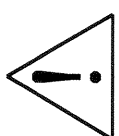
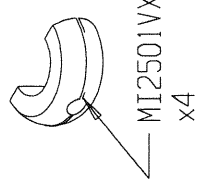
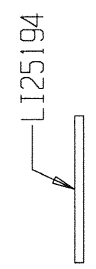
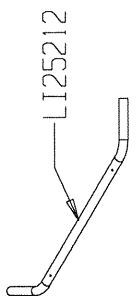
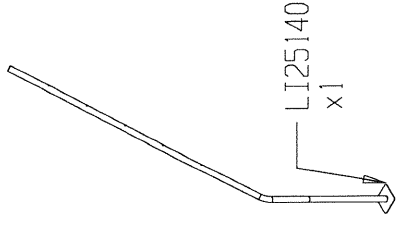
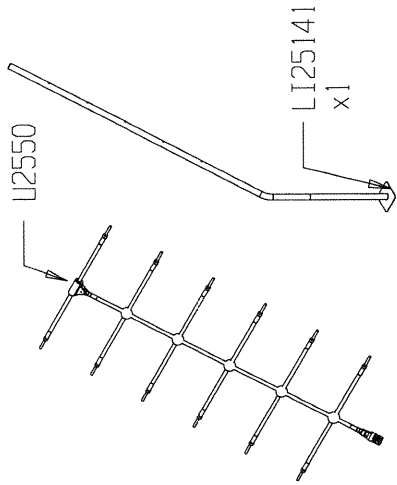
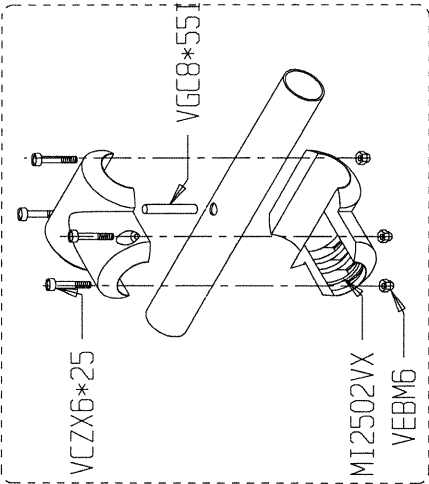
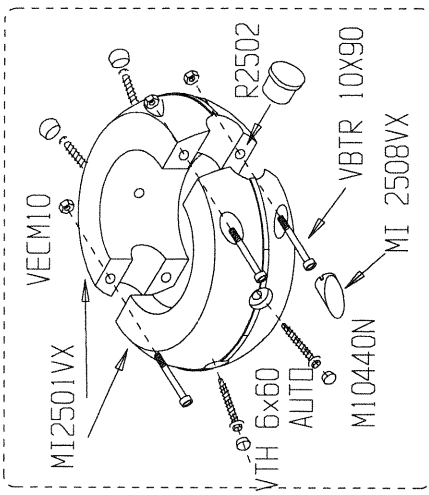
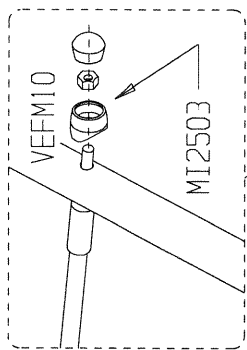




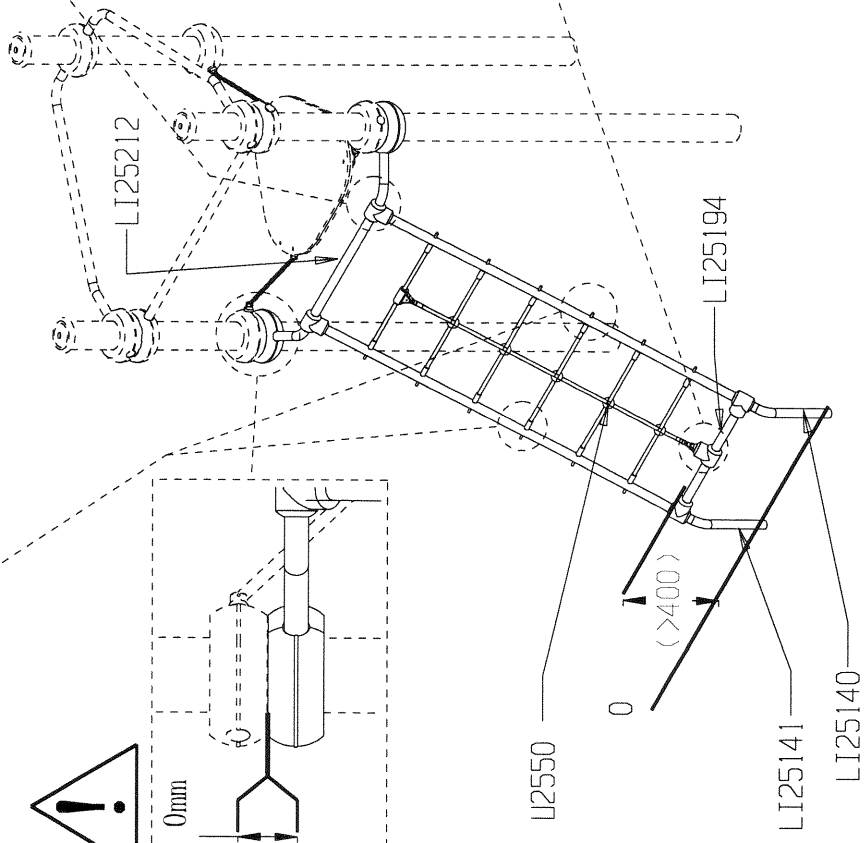
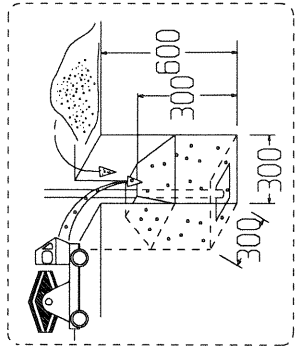
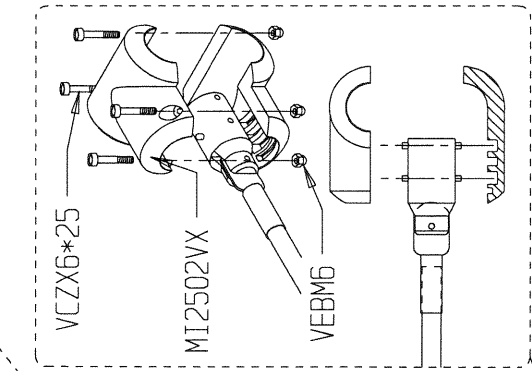
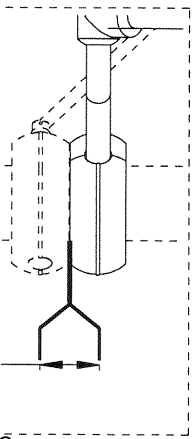
|  |              |    |
|--|--------------|----|
|  | VFHC6x40     | 3  |
|  | VTH6*60 AUTO | 32 |
|  | VBTR 10x90   | 32 |
|  | M10440N      | 35 |
|  | R 2502       | 7  |
|  | MI 2508VX    | 64 |
|  | VECM10       | 32 |
|  | LG4412       | 3  |



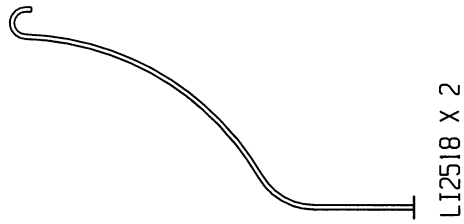
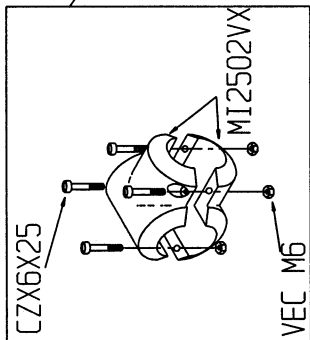




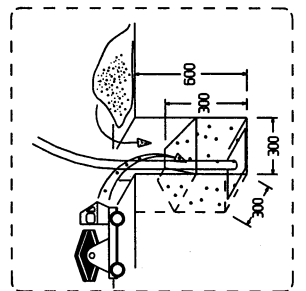
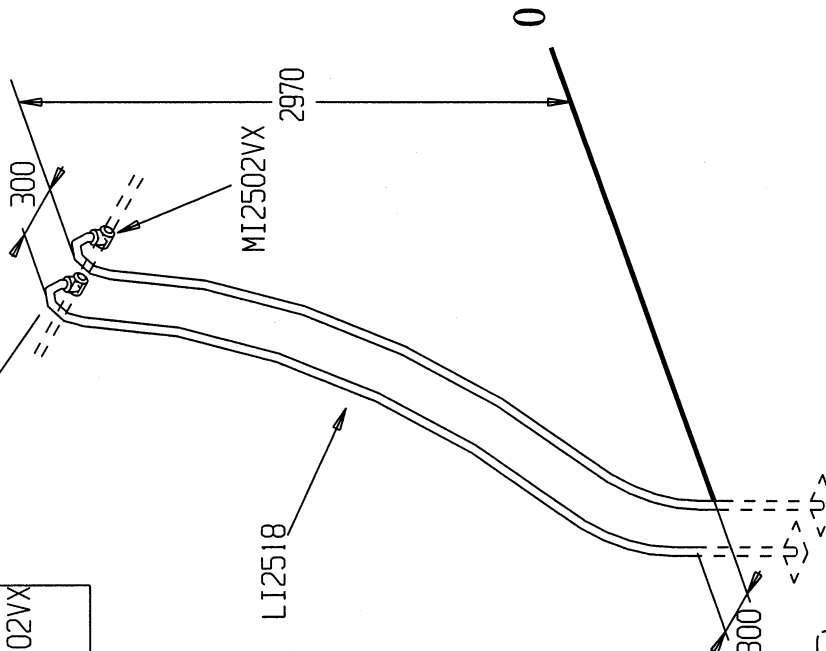
X = 0mm



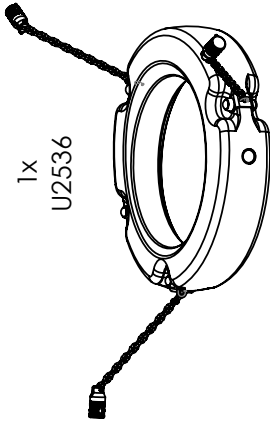
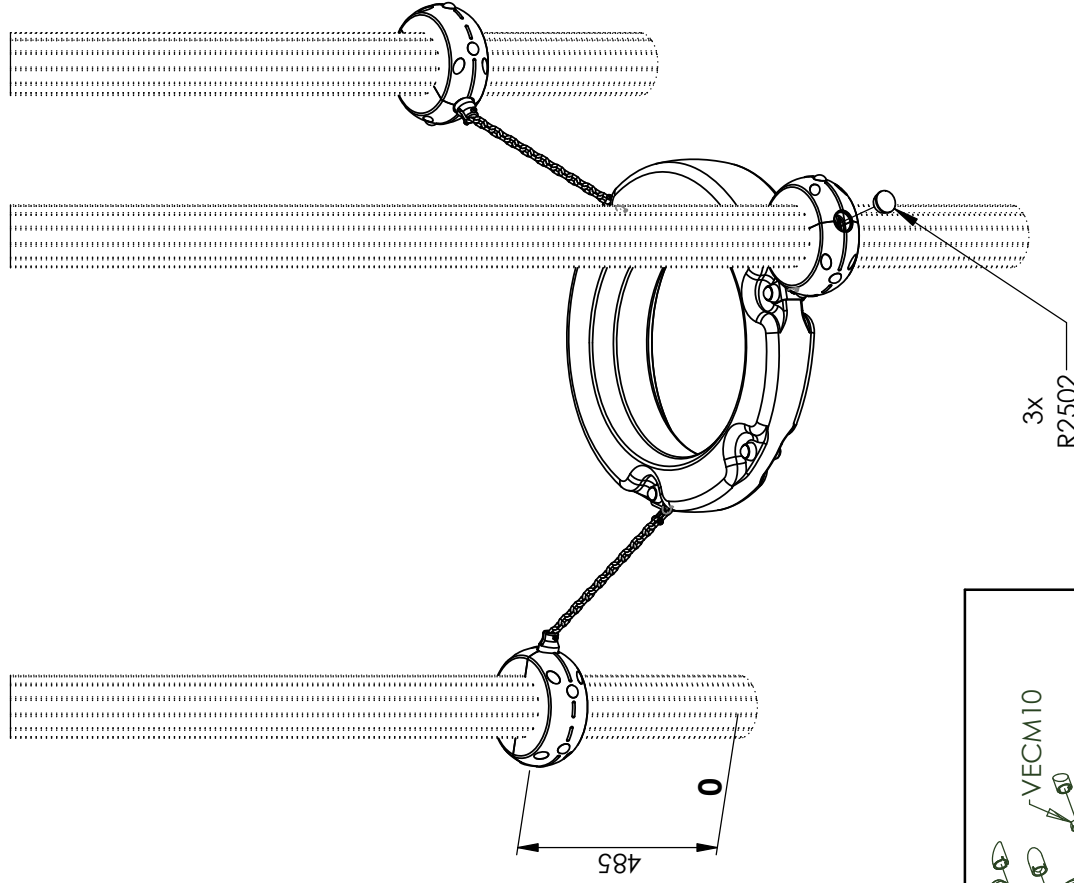
|  |               |    |
|--|---------------|----|
|  | R 2502        | 2  |
|  | VTH 6x60 AUTO | 8  |
|  | VECM10        | 8  |
|  | VBTR 10x90    | 8  |
|  | M10440 N      | 8  |
|  | MI 2508VX     | 16 |
|  | VGC8*55I      | 2  |
|  | VCZX 6x25     | 20 |
|  | VEBM6         | 20 |
|  | M10440 N      | 12 |
|  | MI2503 N      | 12 |
|  | VEFM10        | 12 |



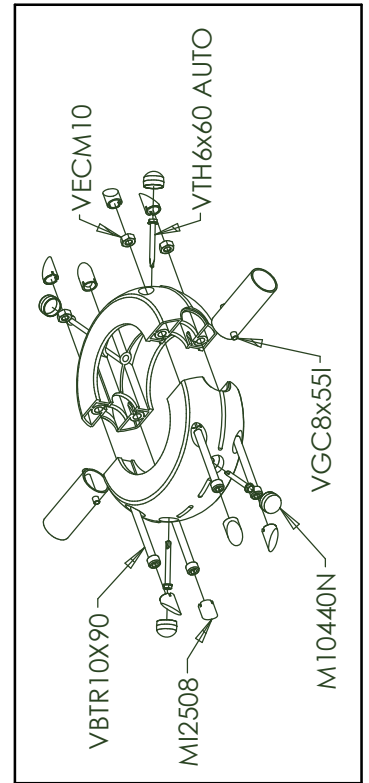
MI2502VX X 4



|   |           |   |
|---|-----------|---|
| ⊕ | VEC M6    | 8 |
| ⊕ | VCZX 6x25 | 8 |



6x  
M12501 VX



| Réf          | Qté |
|--------------|-----|
| M10440N      | 12  |
| M12501 VX    | 6   |
| M12508       | 24  |
| R2502        | 3   |
| U2536        | 1   |
| VBTR10X90    | 12  |
| VECM10       | 12  |
| VTH6x60 AUTO | 12  |

