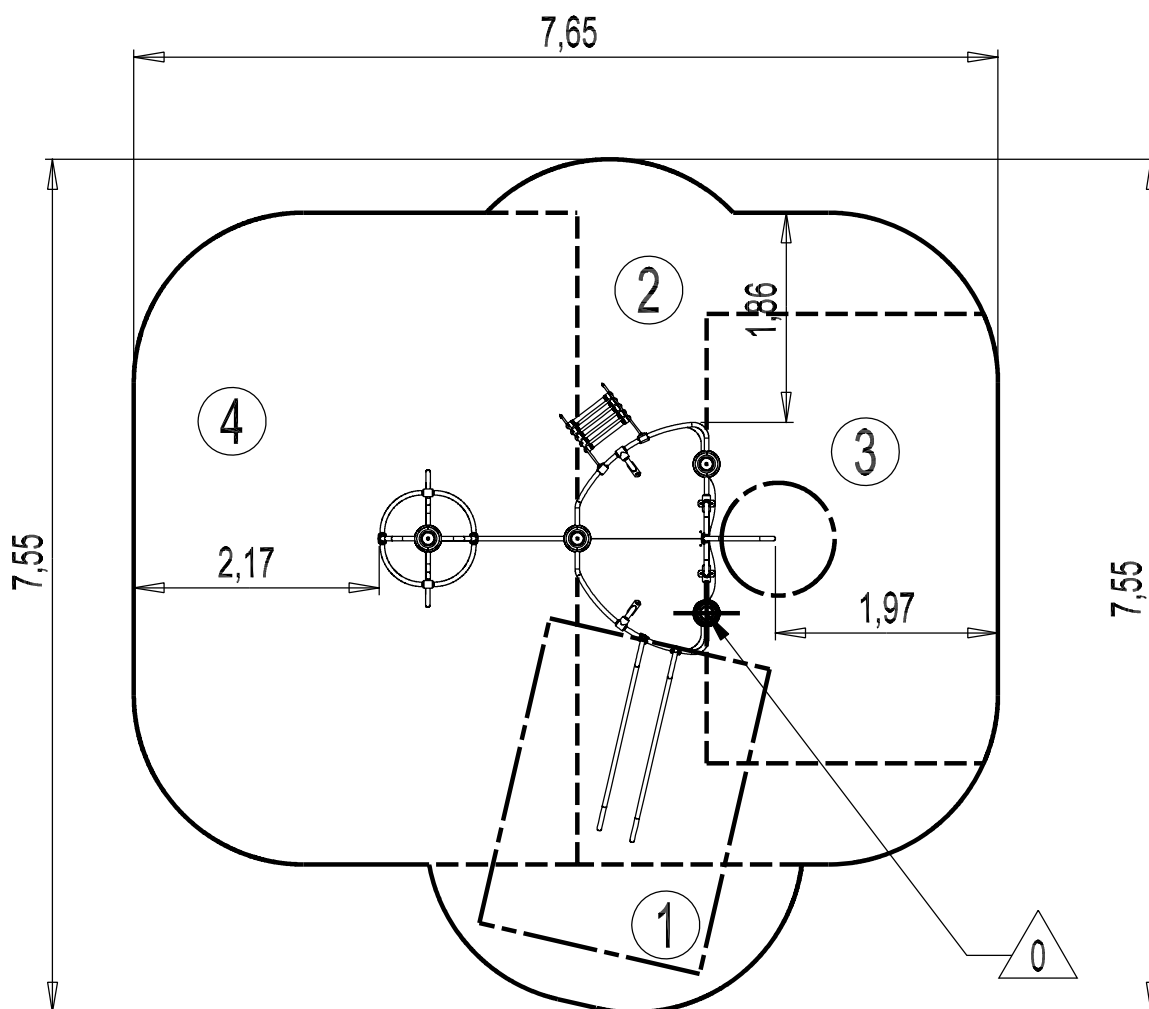


N°		M ²
①	0.6 m	3.5 m ²
②	1.95 m	11 m ²
③	2.2 m	10.5 m ²
④	2.5 m	22 m ²

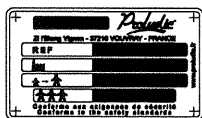
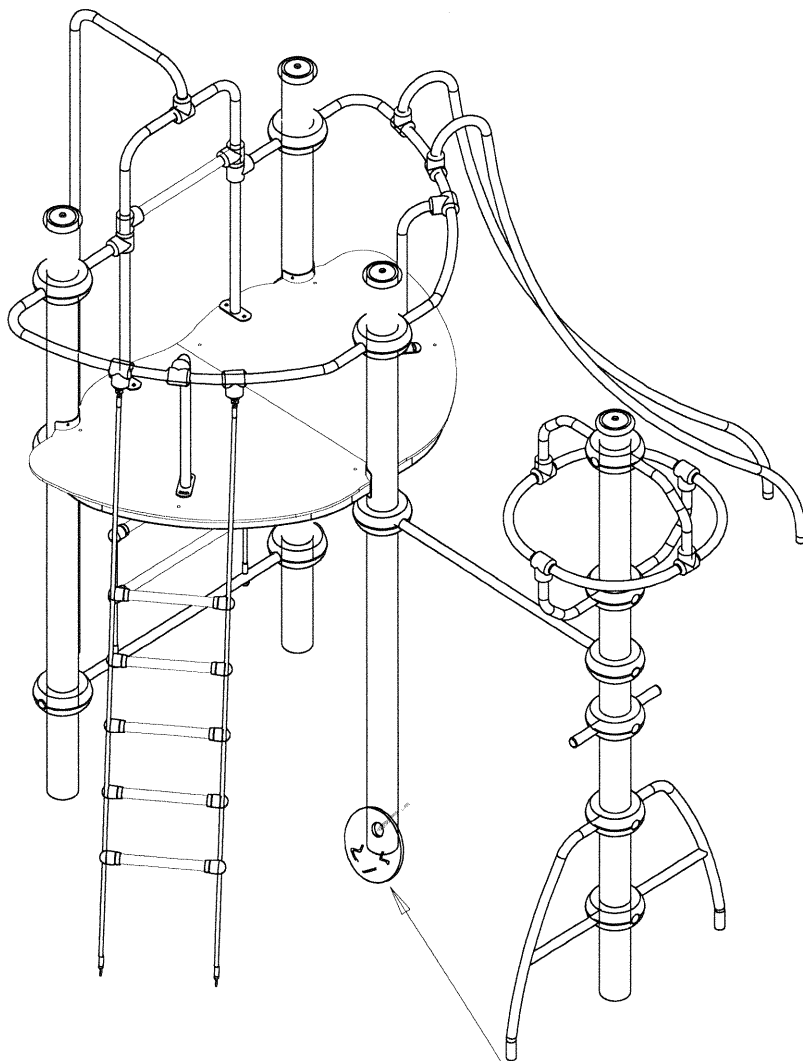
— Zone d'Impact
 Impact Area
 Area de Impacto
 Fallraum
 Valzone

— Espace libre
 Free Space
 Espacio Libre
 Freiraum
 Vrije ruimte

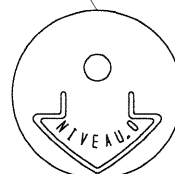
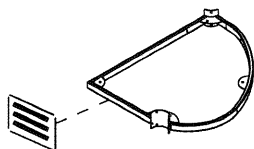
EN1176-1 : 2017



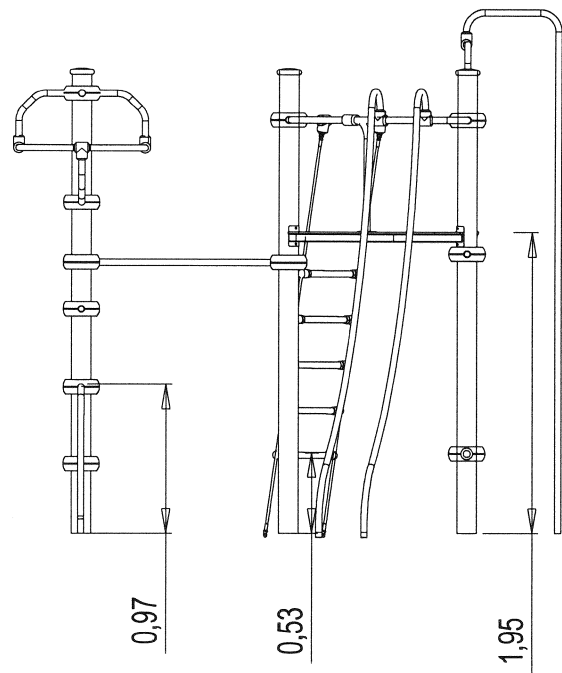
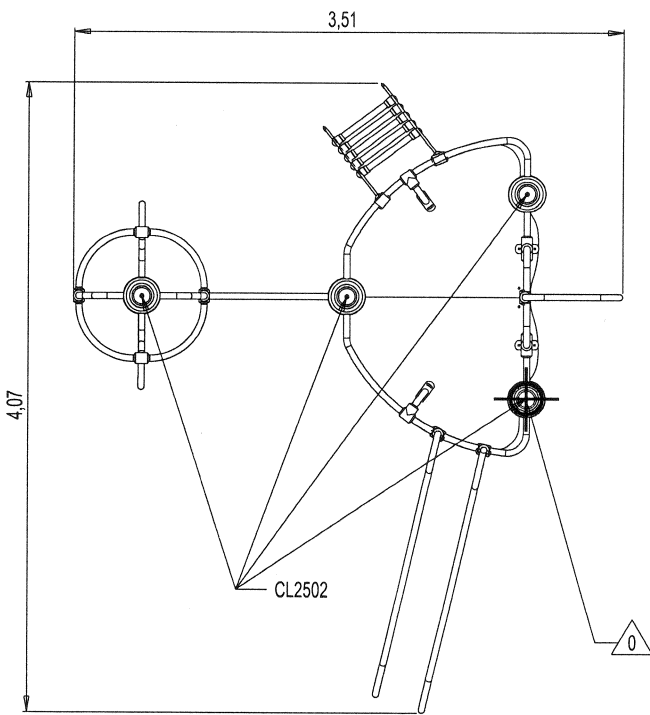
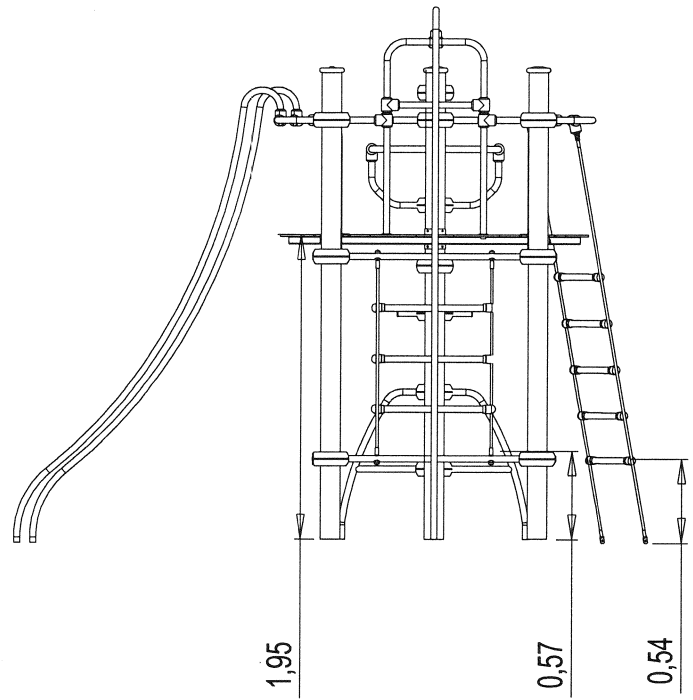
Point de Référence
 Setting Out Point
 Punto de referencia
 Bezugspunkt
 Referentiepunt



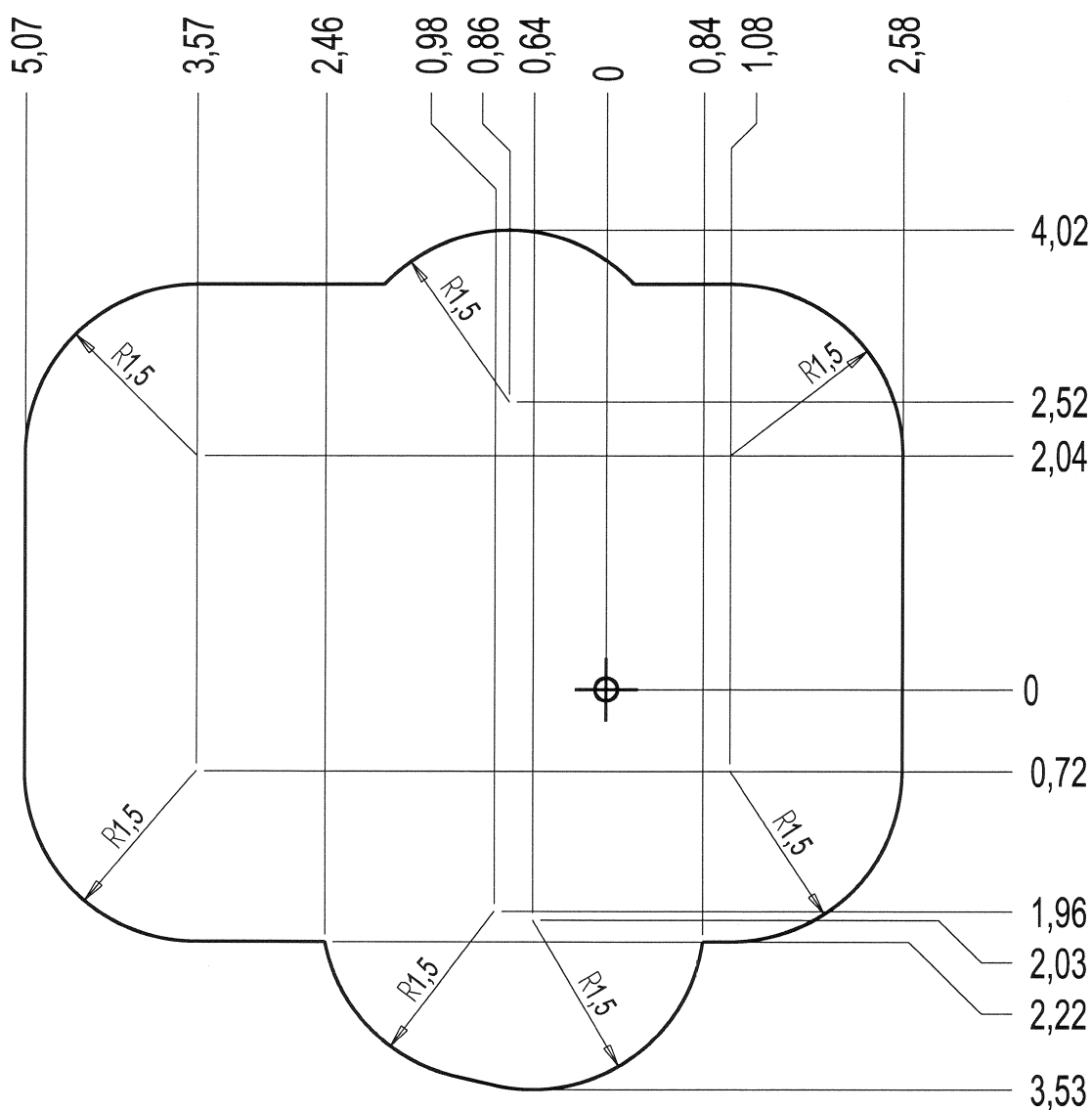
LA000



MI0002



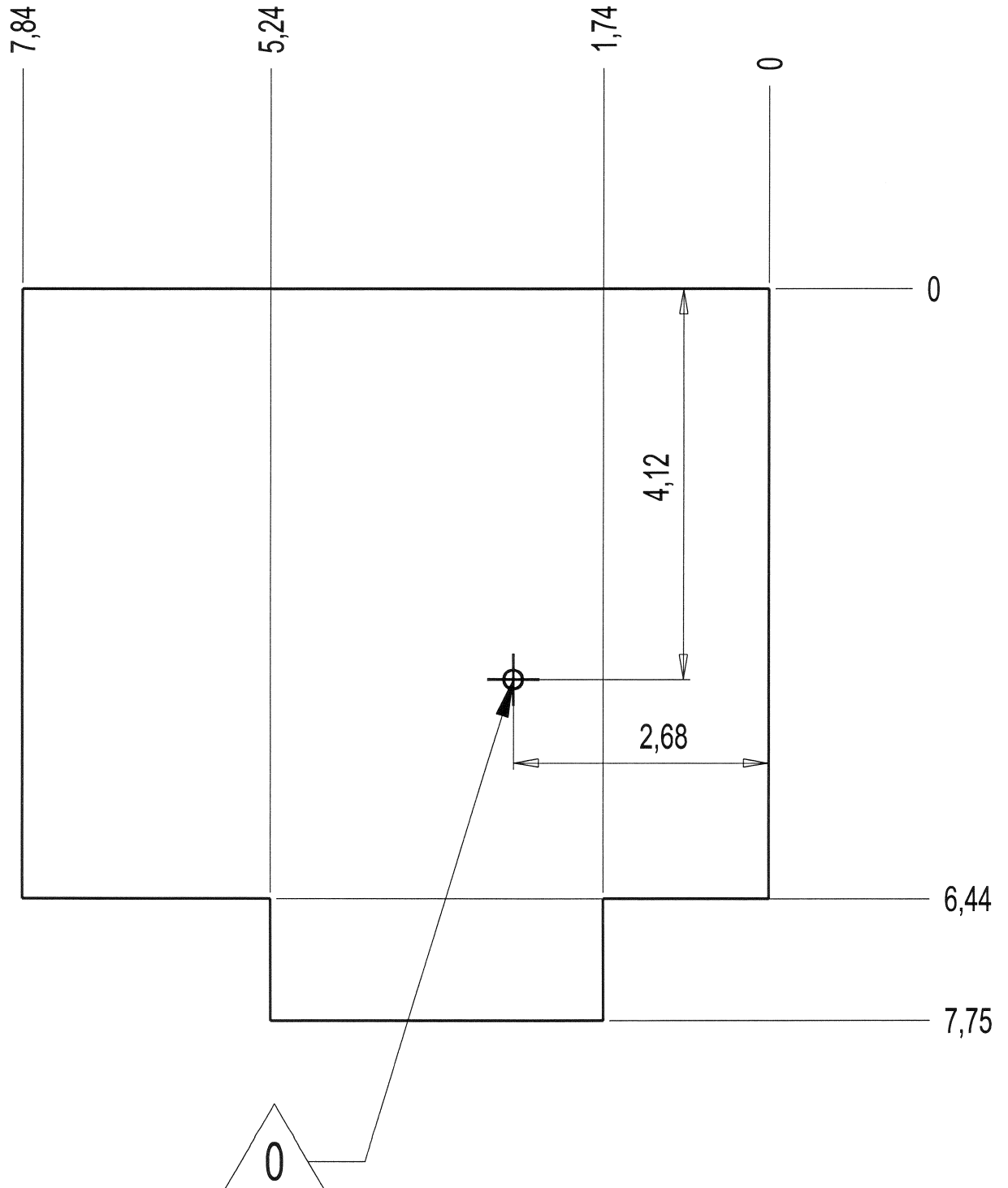
— Zone d'Impact 47 m²
 Impact Area
 Area de Impacto
 Fallraum
 Valzone



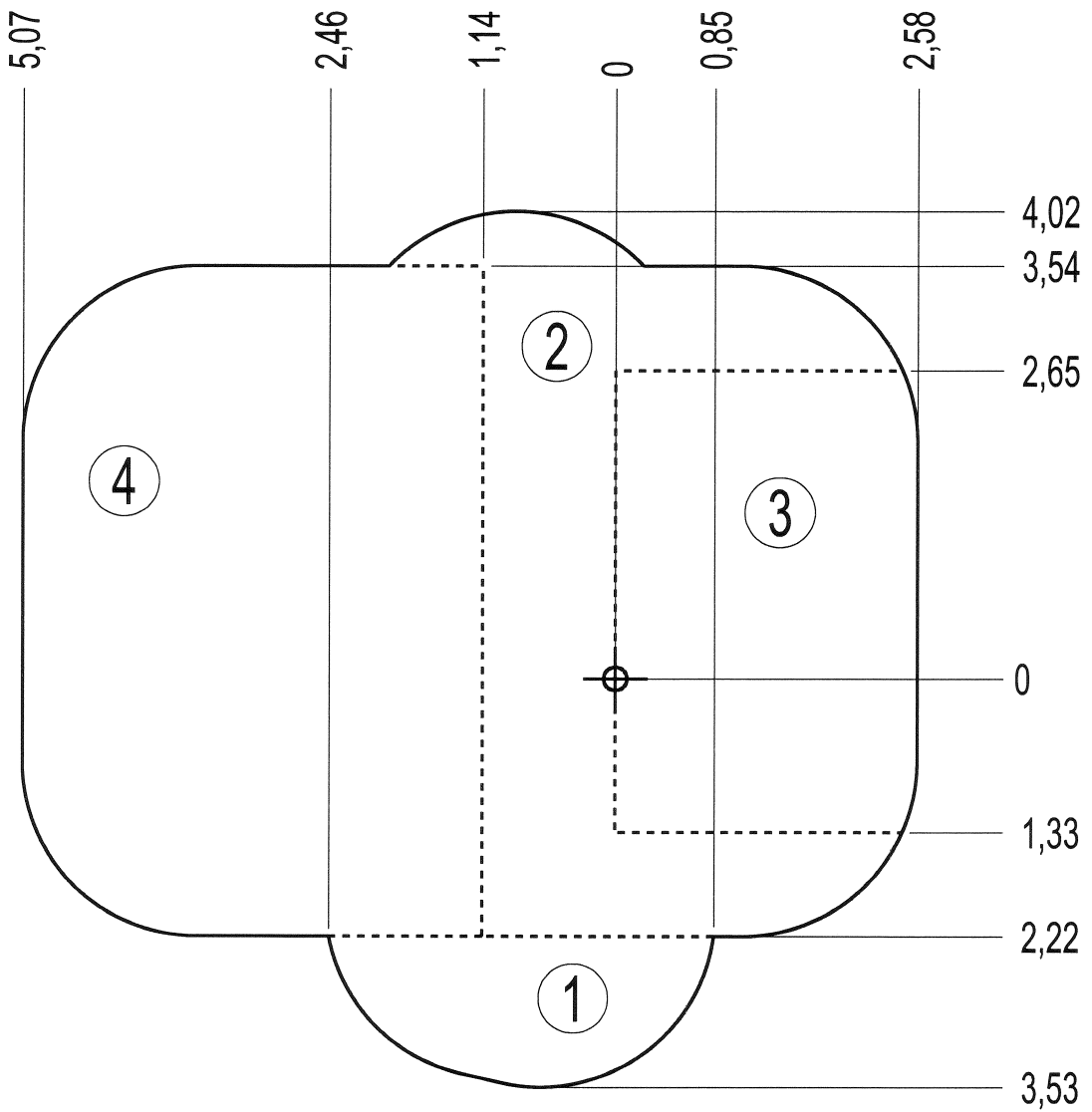
— Dalle béton 31 m
 Concrete pad 50 m²
 Solera de Hormigón
 Beton Bodenplatte
 Betonnen bodenplaat



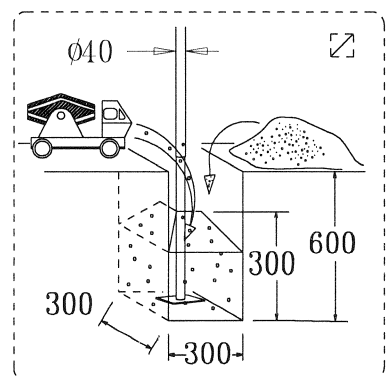
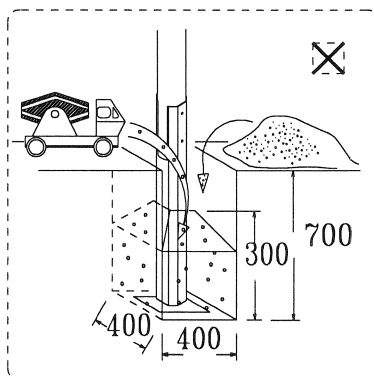
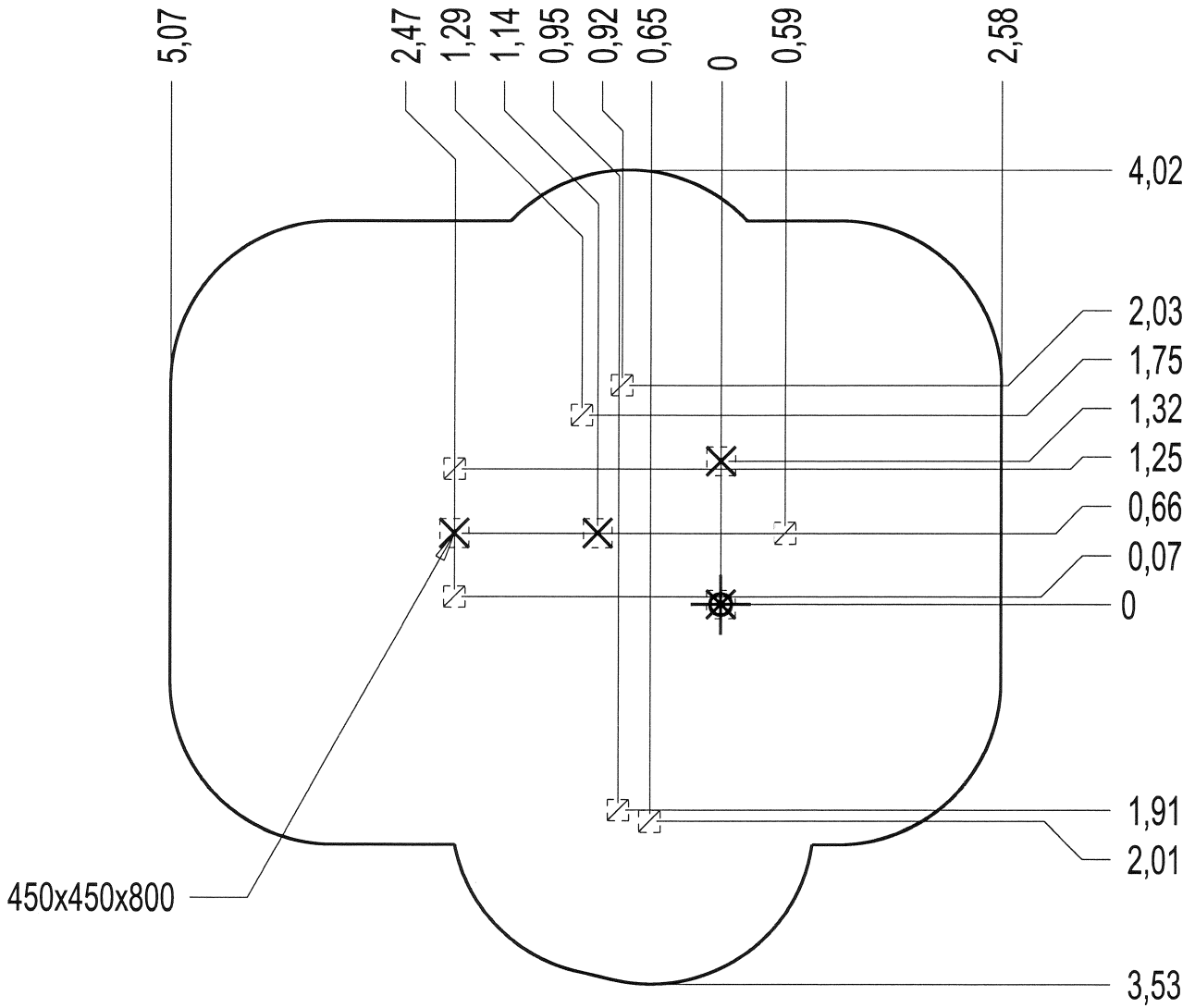
— Sol fluent 32 m
 Loose particle material 56 m²
 Arenero
 Loses Bodenmaterial
 Los bodenmaterial






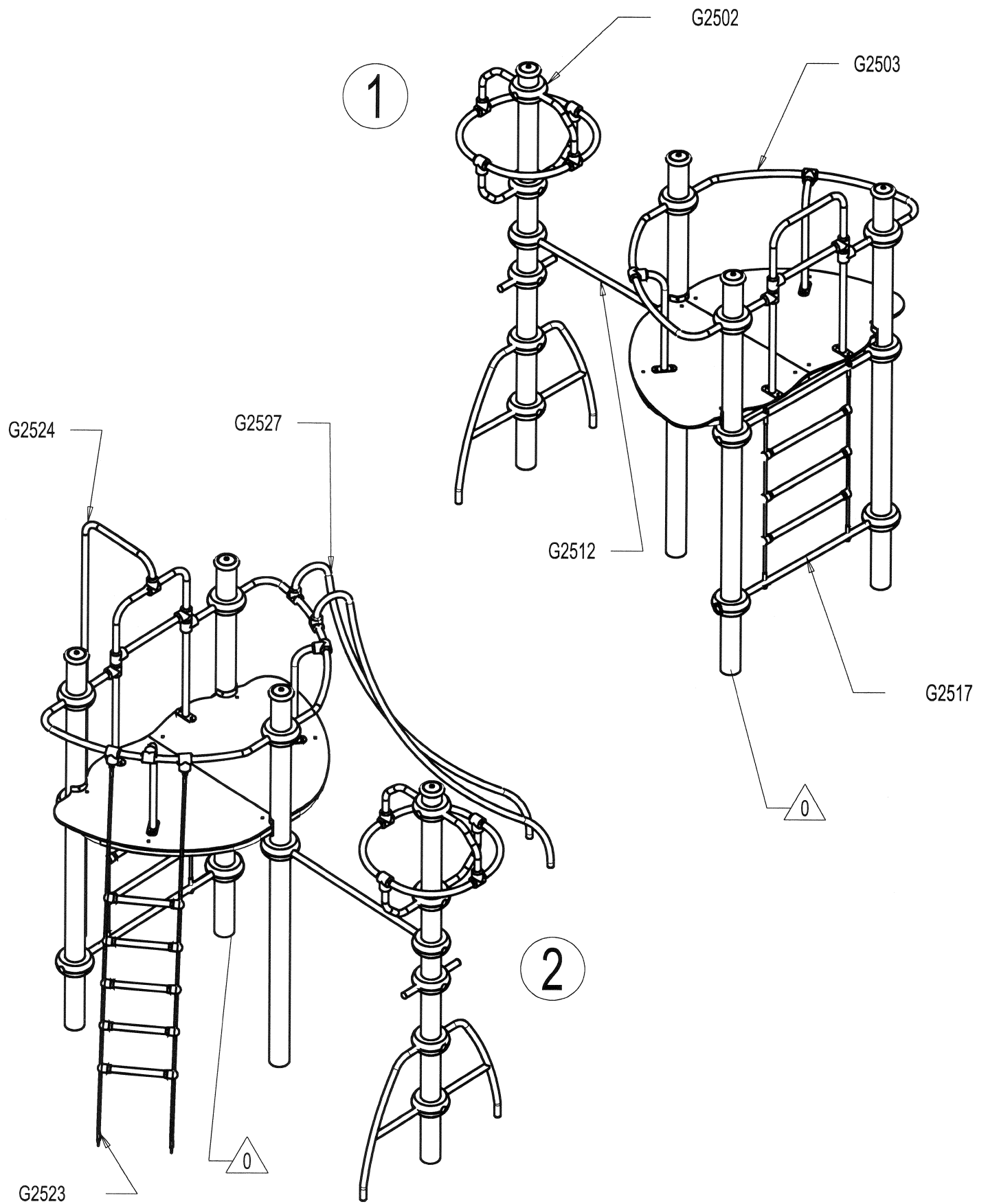
— Sol souple **47 m²**
 Wetpour
 Caucho Continuo
 Synthetischer Fallschutz
 Gietvloer

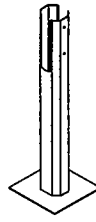
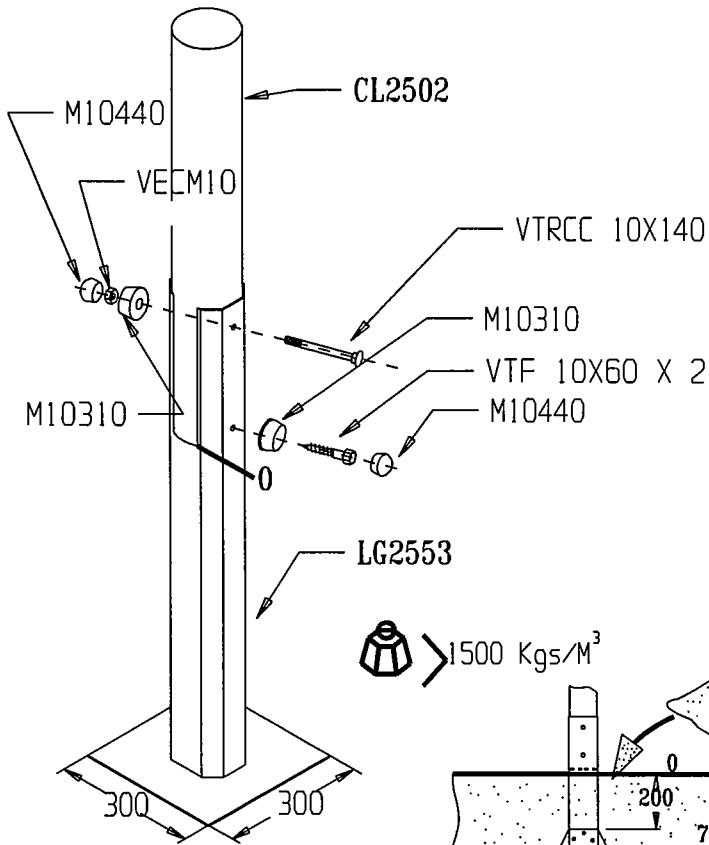


Implantation
 Footing plan
 Implantación
 Fundamentplan
 Funderingstekening



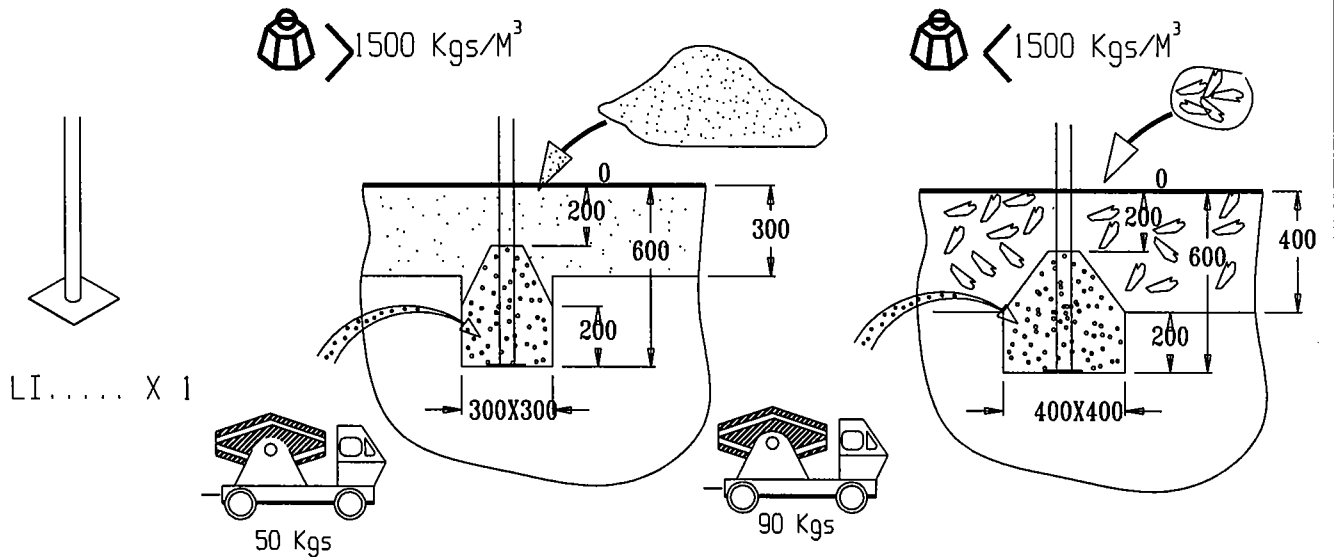
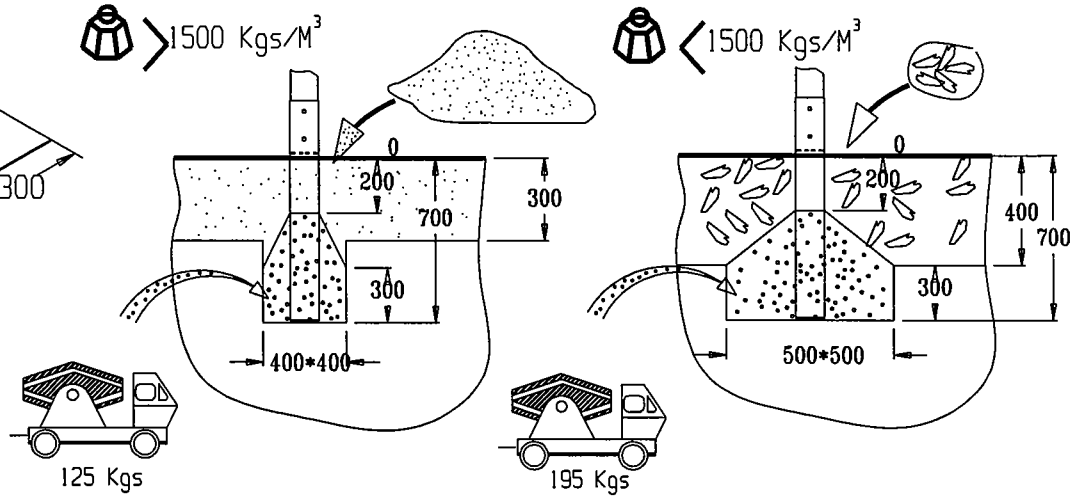
 x2	 14H30	 0.43m ³
---	---	--



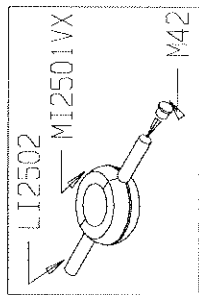
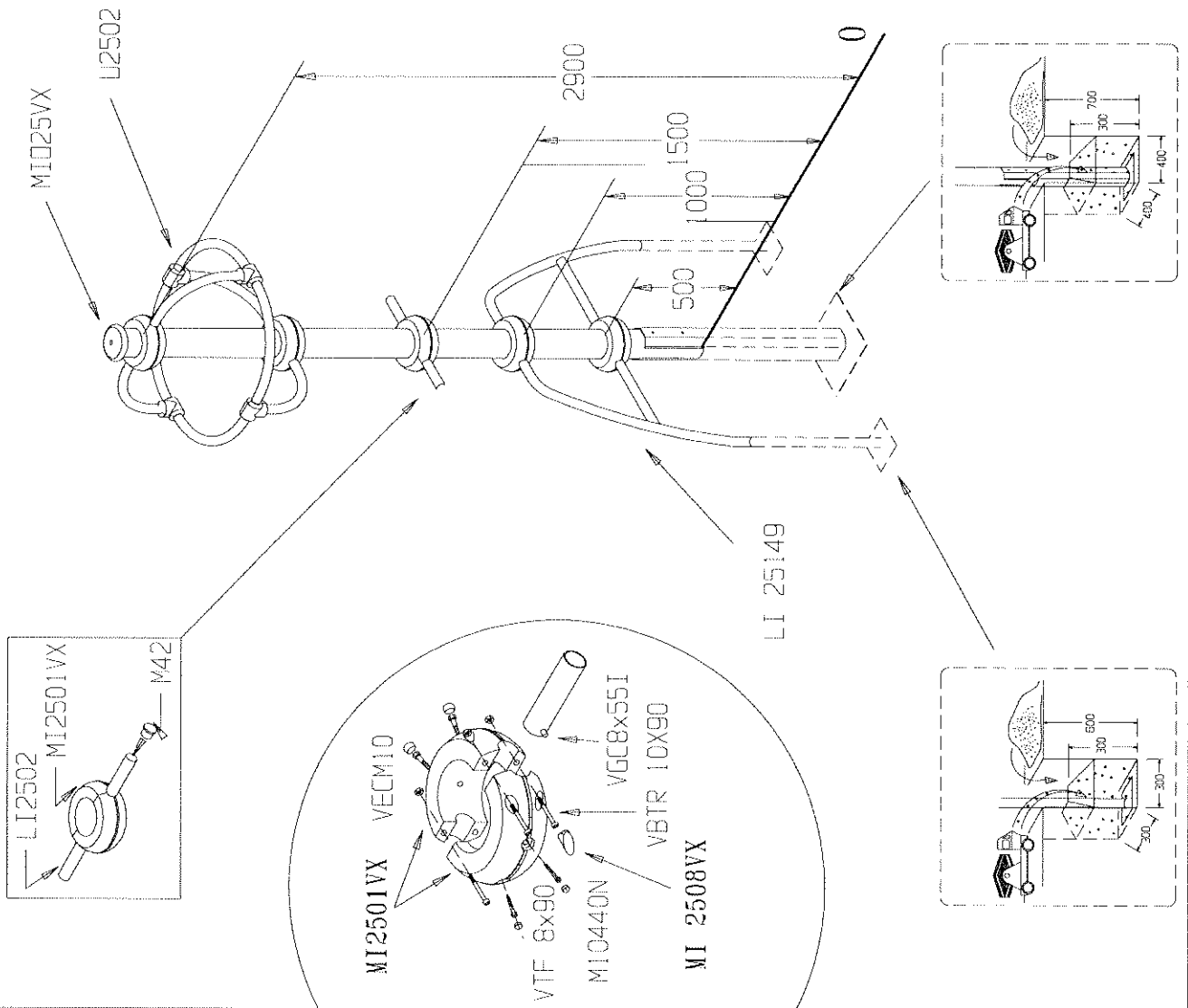


LG2553 X 1

	VTRCC 10x140	1
	VECM10	1
	VTF 10x60	2
	M10310	3
	M10440	3



LI..... X 1



MI025VX
U2502



U2502 X 1



LI2502 X 2
Lg 167



MI2501VX X 10



MI025VX X 1



CL2502 X 1
Lg 3000

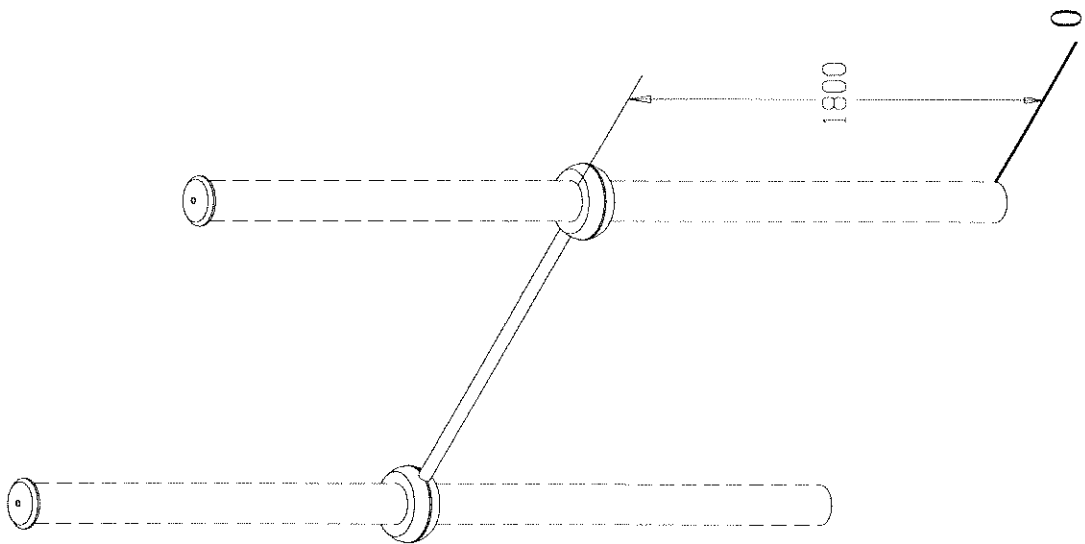


LI25149 X 2



LG25553 X 1

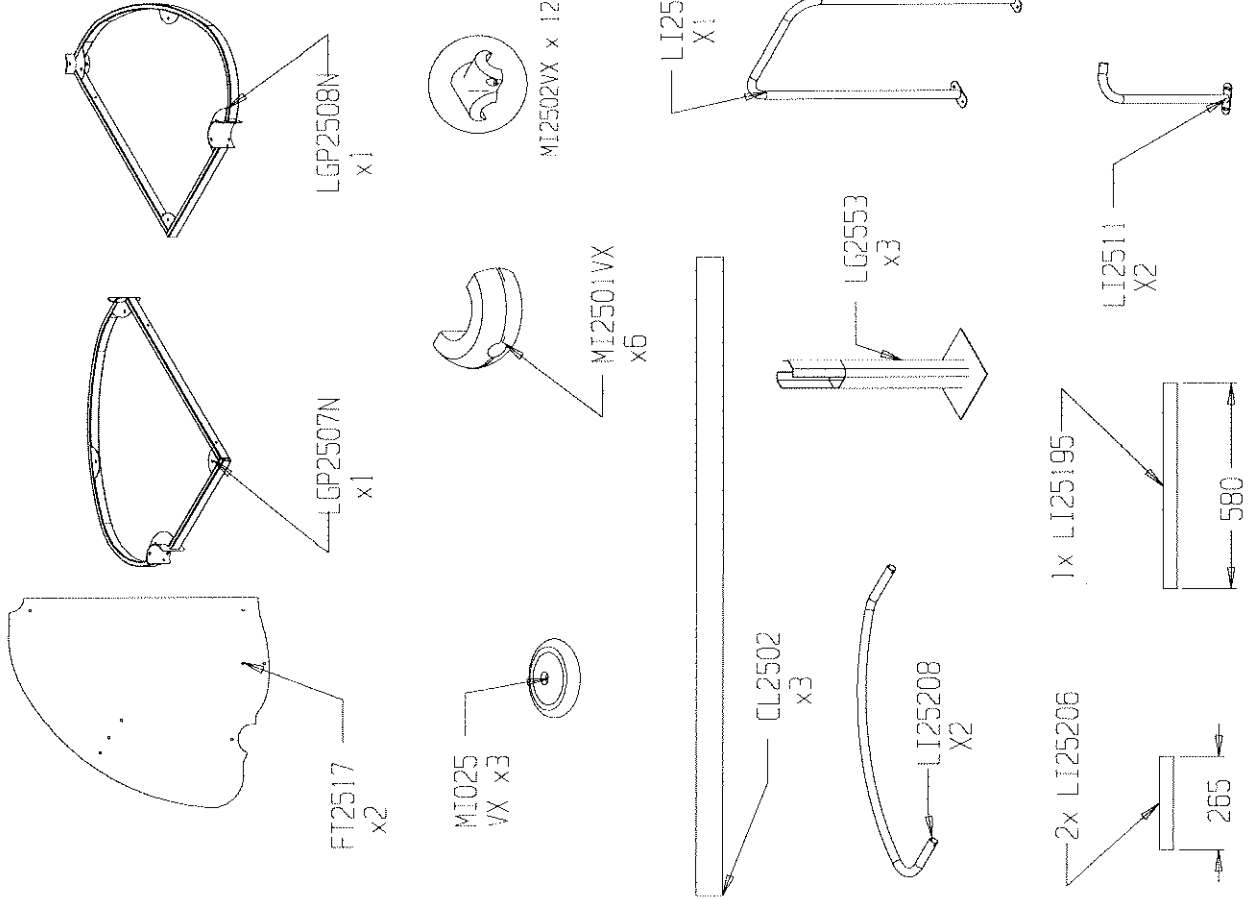
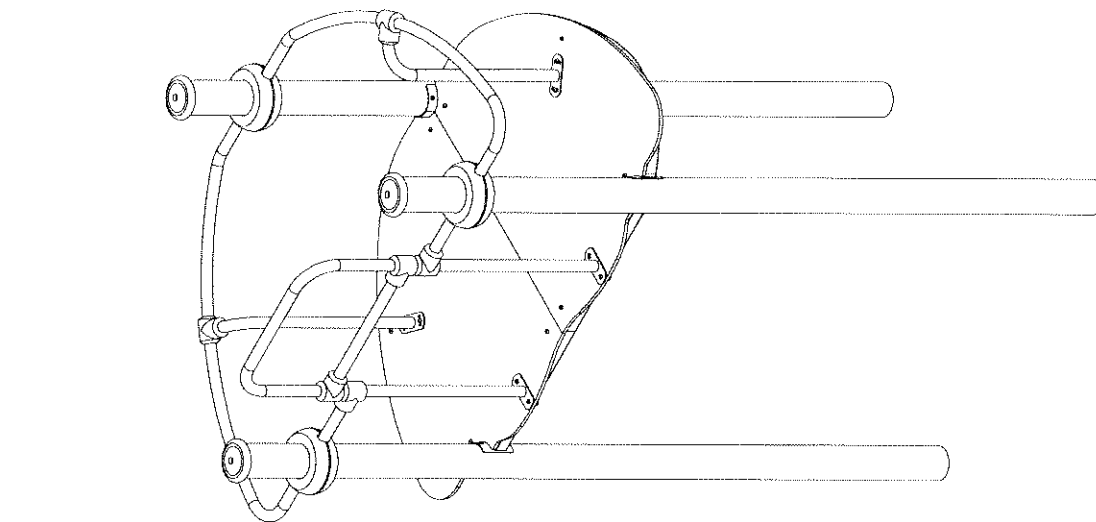
	VGC8*55I	6
	VBT 7x60	1
	VTF 8x90	20
	VTF 10x60	2
	VTREC10x140	1
	MI0440	24
	MI0310	3
	VECM10	21
	VBTR 10x90	20
	MI 2508VX	40
	M42	2

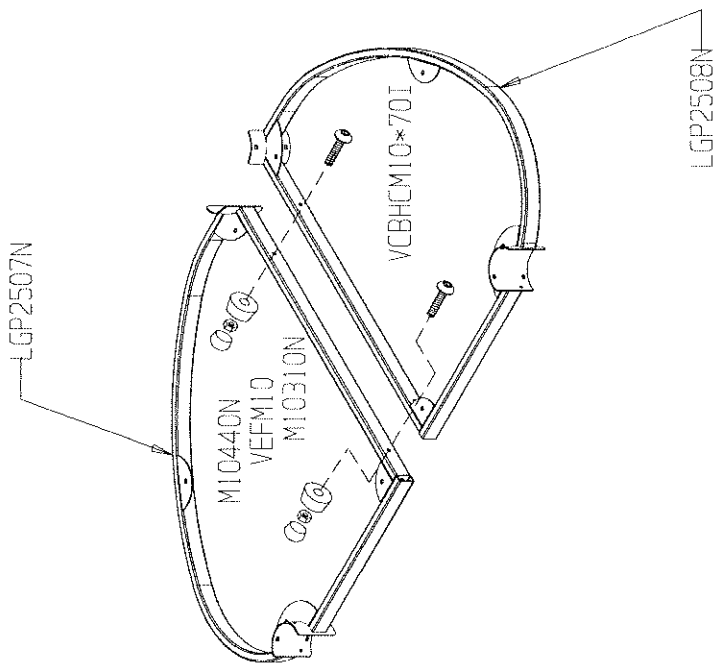





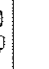
MI2501VX X 4

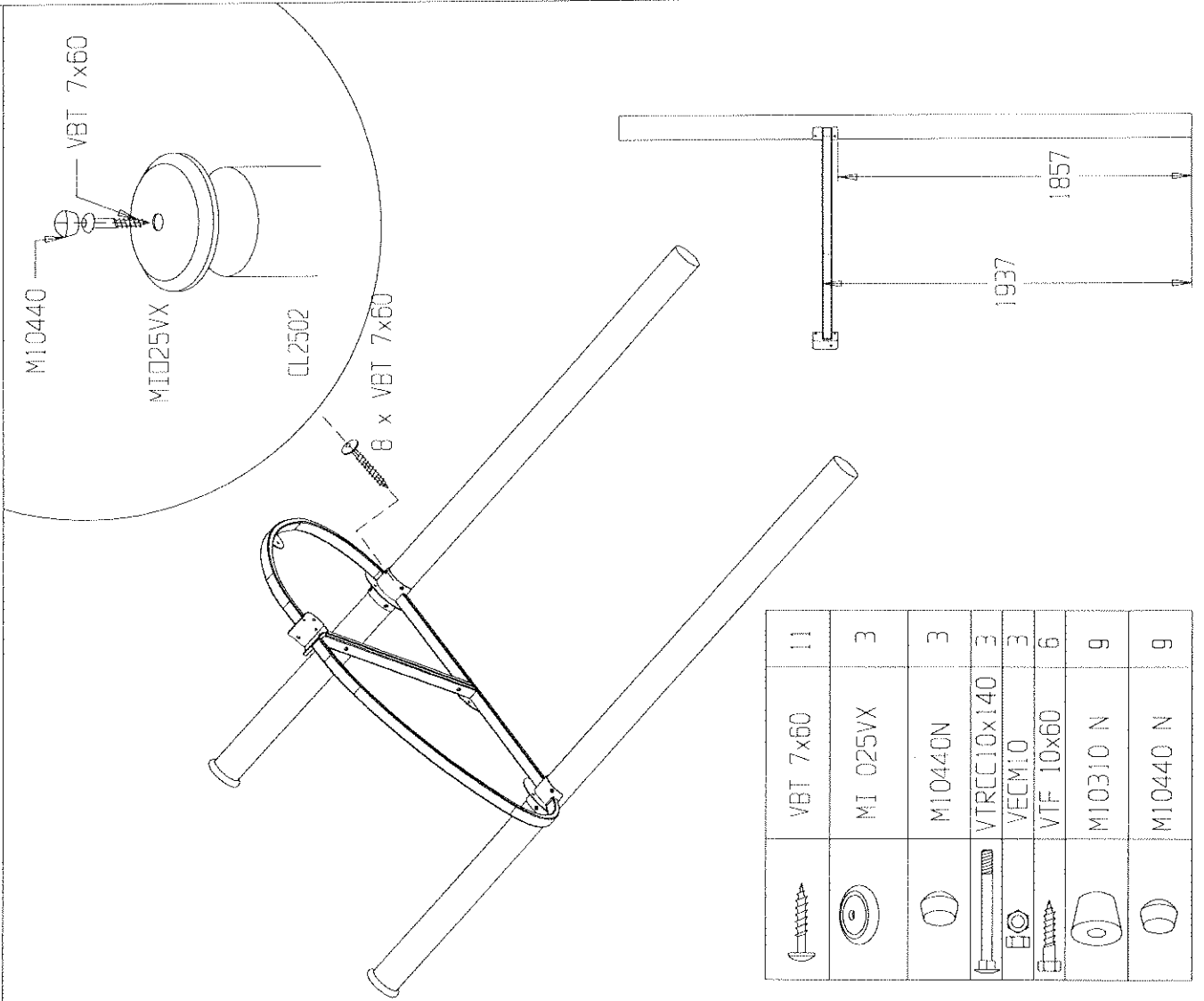
LI2504 X 1
Lg 1190

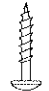







	VTF 8x90	8
	VSTR 10x90	8
	MI0440N	8
	VECM10	8
	R 2502	2
	MI 2508VX	16

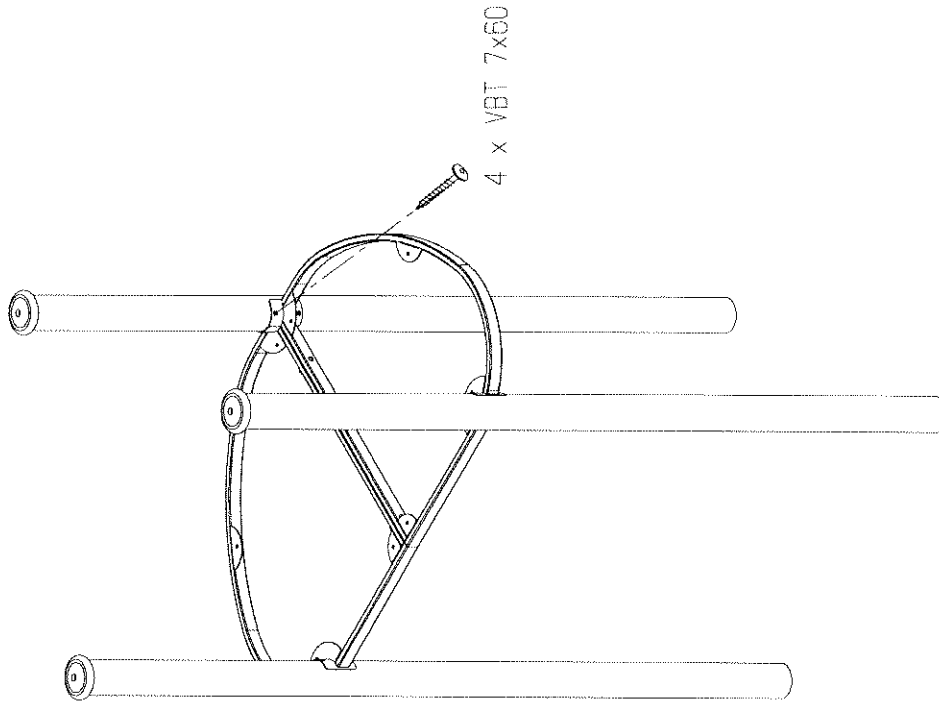





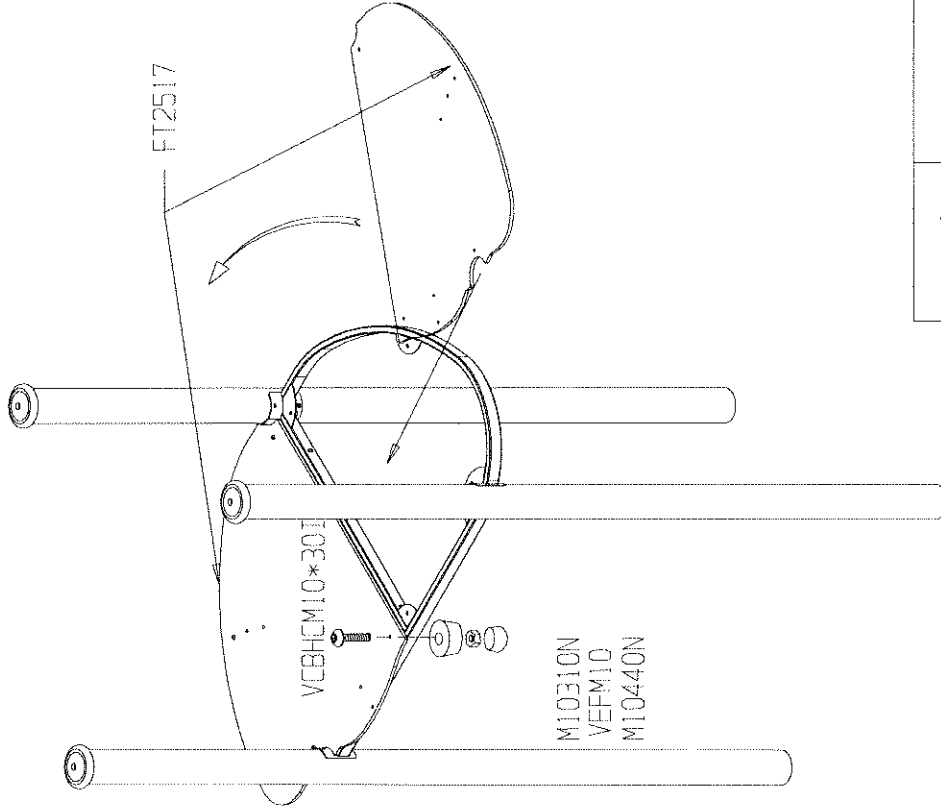
	M10310N	2
	M10440N	2
	VCBHCMI0*70I	2
	VEFM10	2

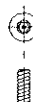





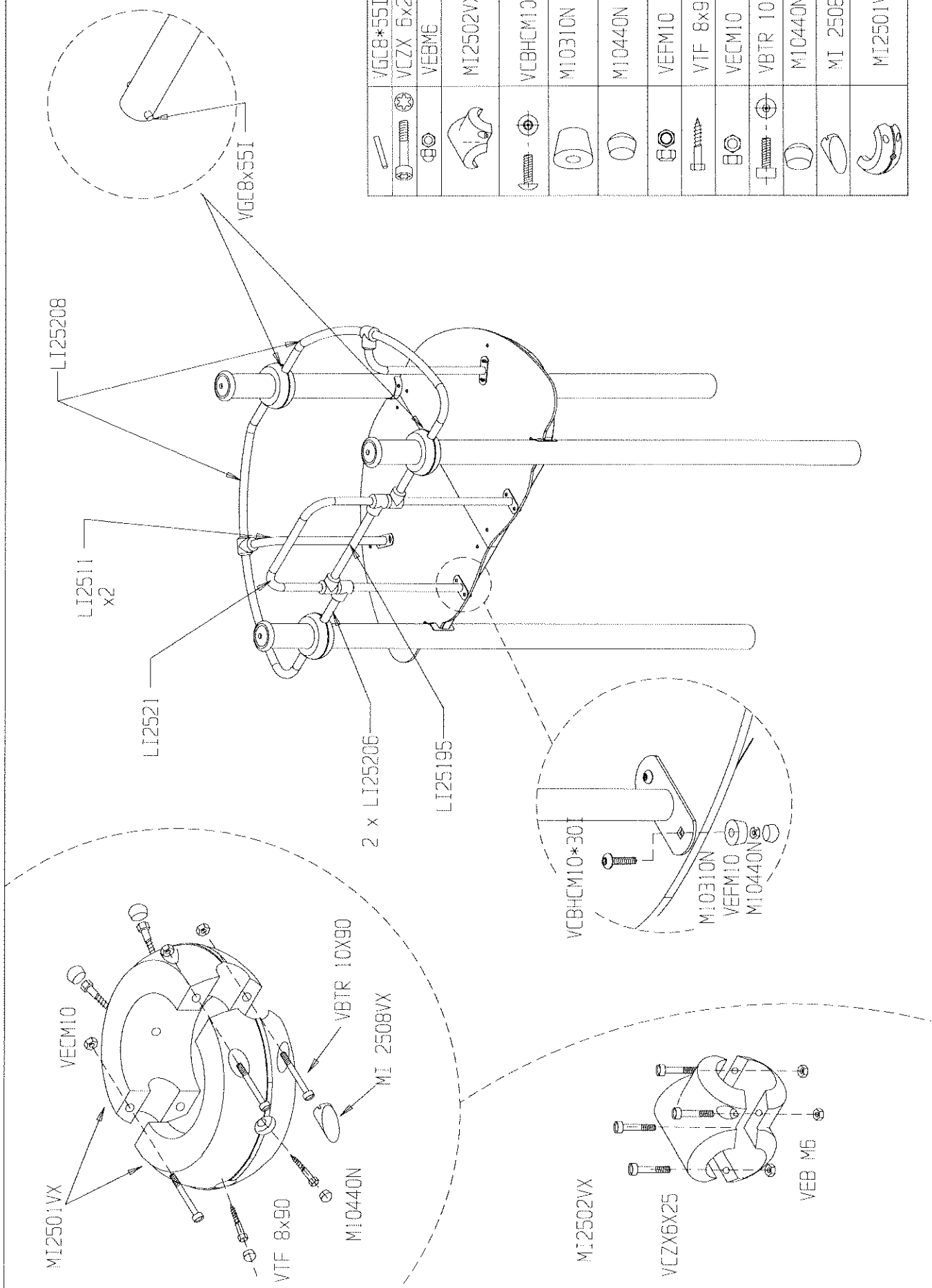
	VBT 7x60	11
	M1025VX	3
	M10440N	3
	VTRCC10x140	3
	VECM10	3
	VTF 10x60	6
	M10310 N	9
	M10440 N	9



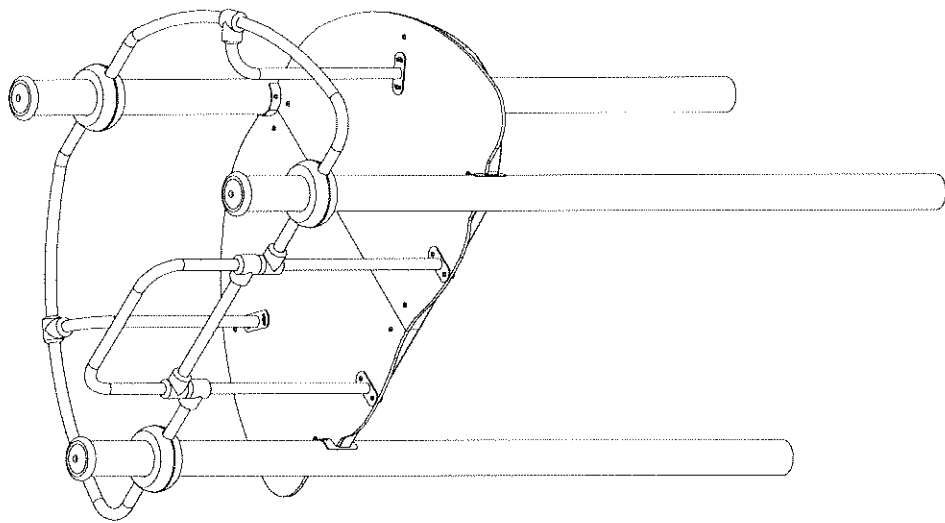
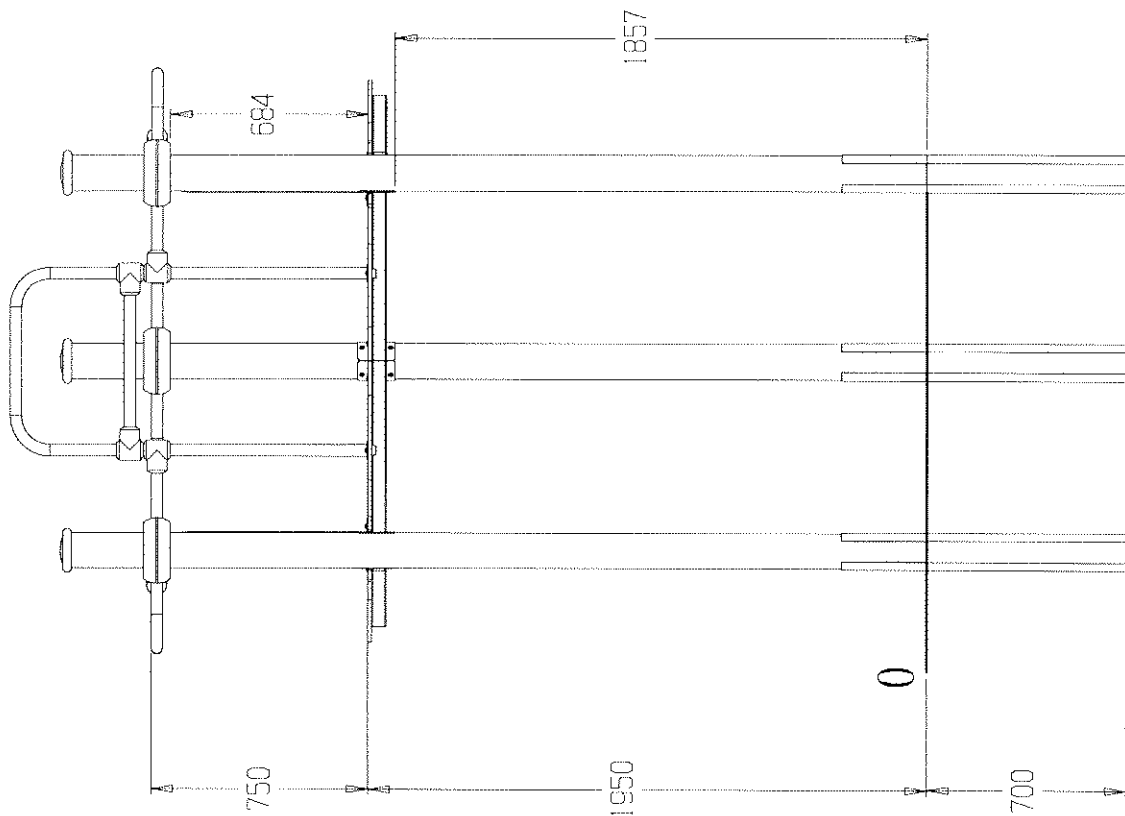
	VBT 7x60	4
---	----------	---

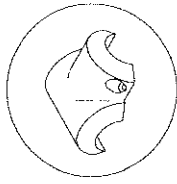
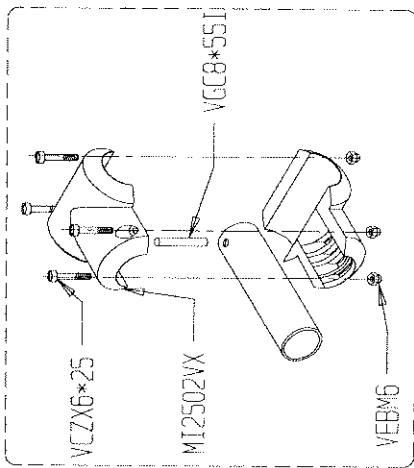


	VCBHC10*30I	8
	M10310N	8
	M10440N	8
	VEFM10	8



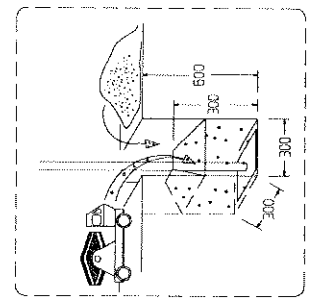
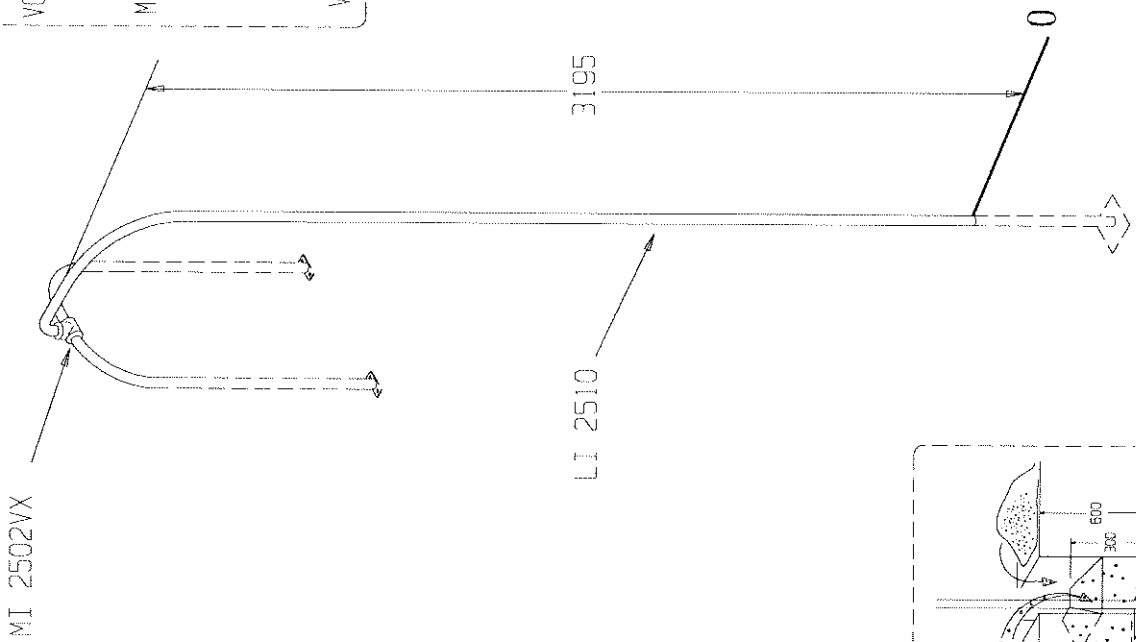
	VGC8*55I	4
	VCZX 6x25	24
	VEBM6	24
	MI2502VX	12
	VCBHCMI0*30I	10
	M10310N	10
	M10440N	10
	VEFM10	10
	VTF 8x90	12
	VECM10	12
	VBTR 10x90	12
	M10440N	12
	MI 2508VX	24
	MI2501VX	6





MI2502VX X 2

LI2510 X 1
Lg 3795

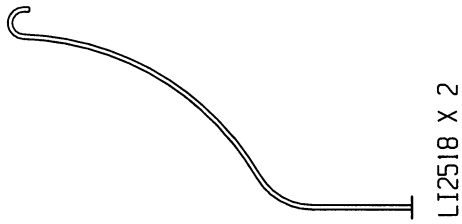
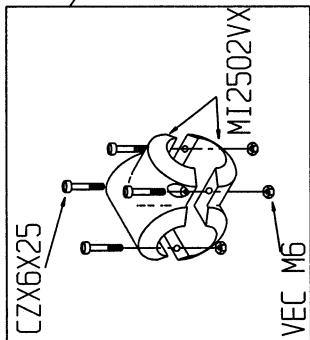


	VGC8*55I	1
	VCZX 6x25	4
	VEBM6	4

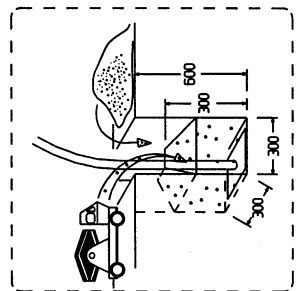
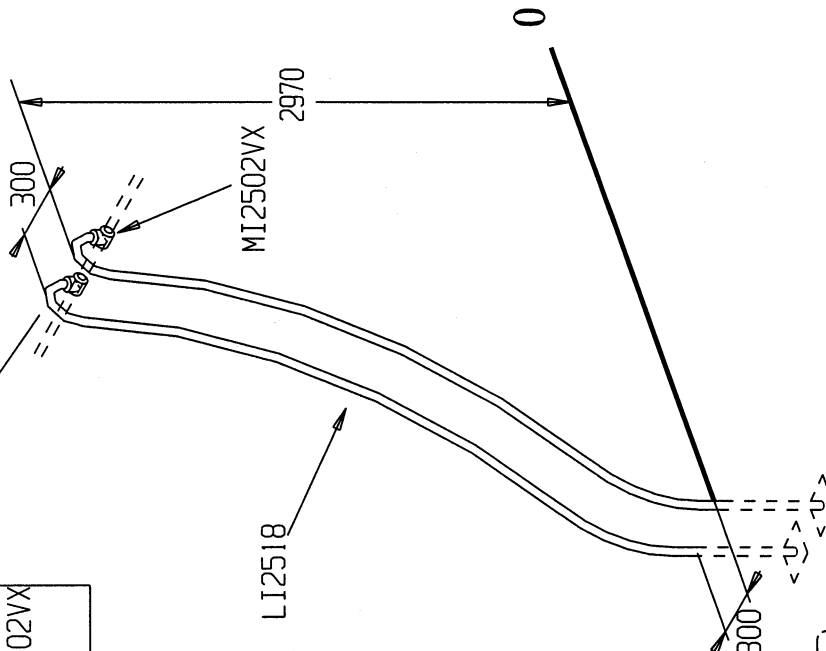
G 2527

Productie

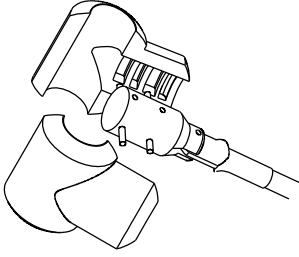
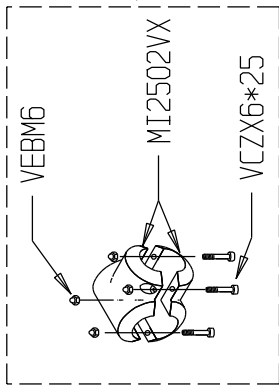
17-11-98



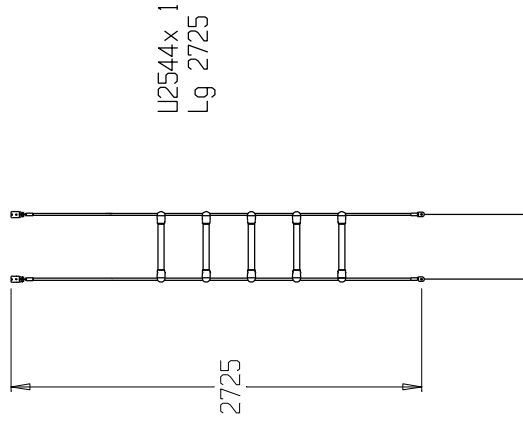
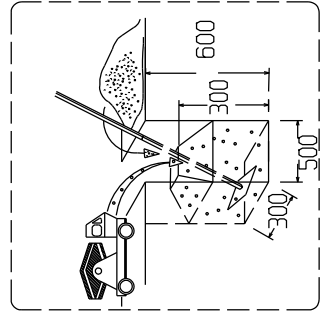
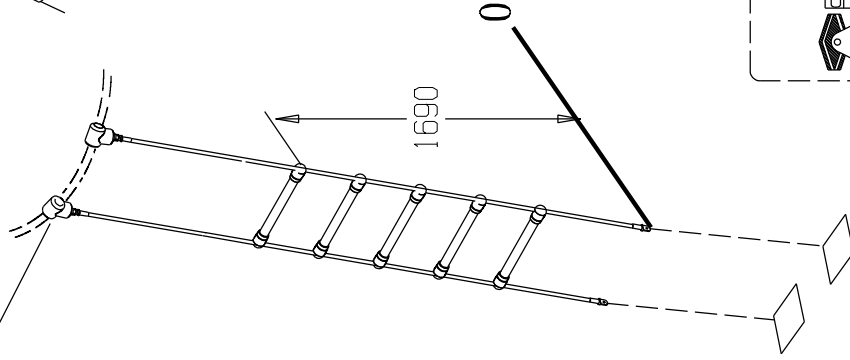
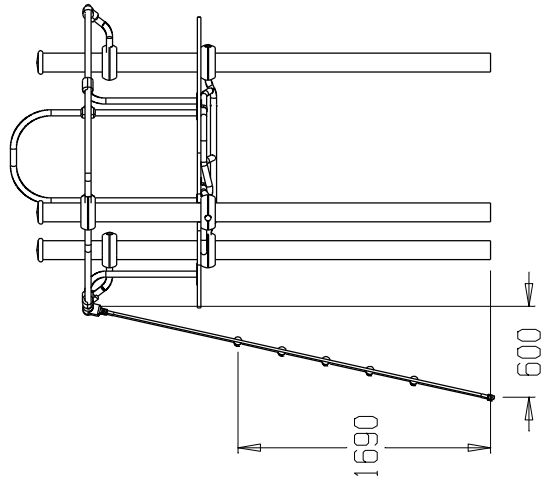
MI2502VX X 4



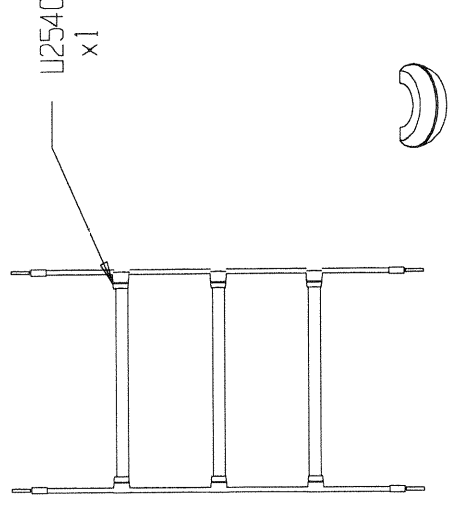
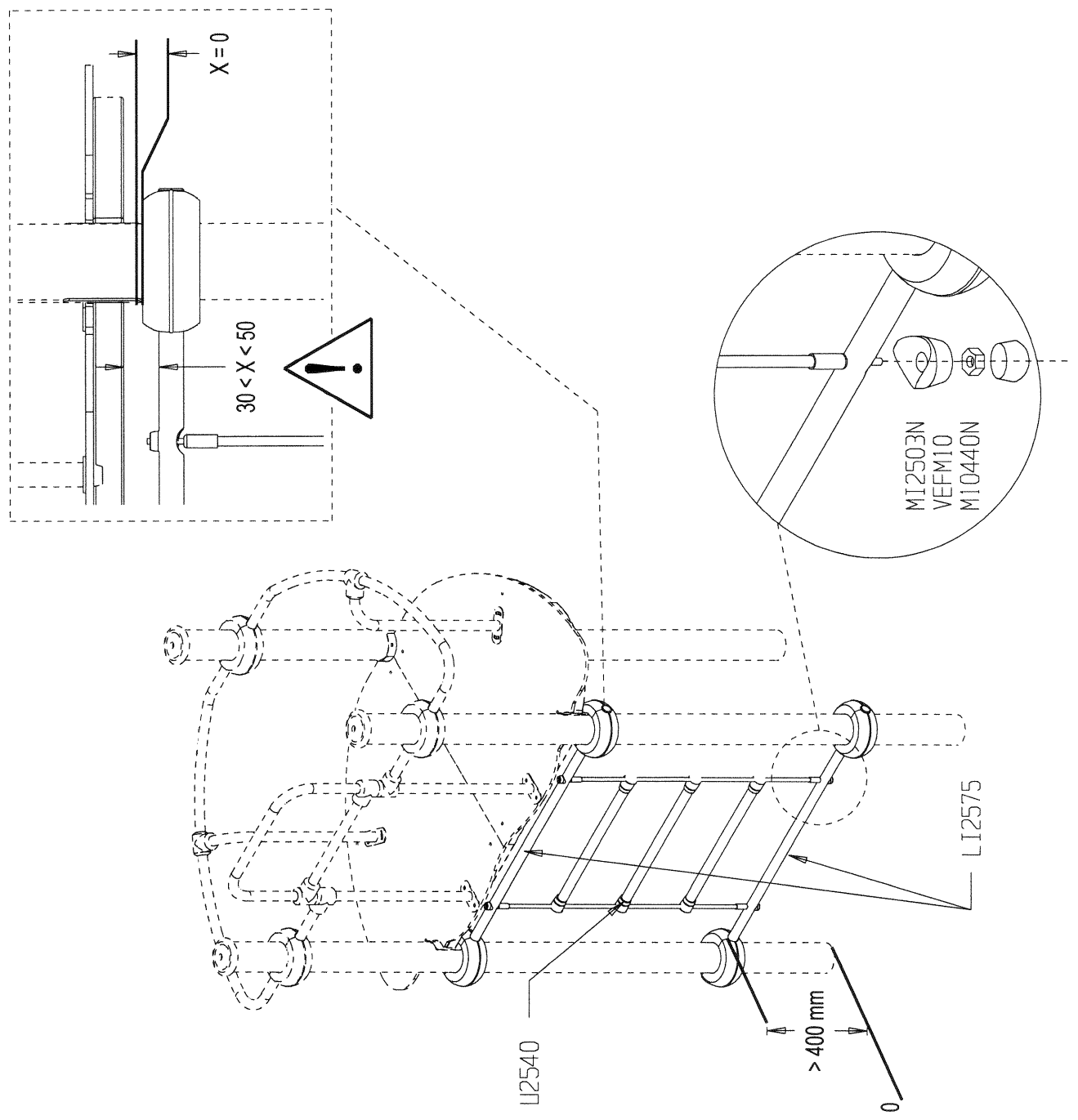
⊕	VECM6	8
⊕	VCZX 6x25	8



MI2502VX X 4

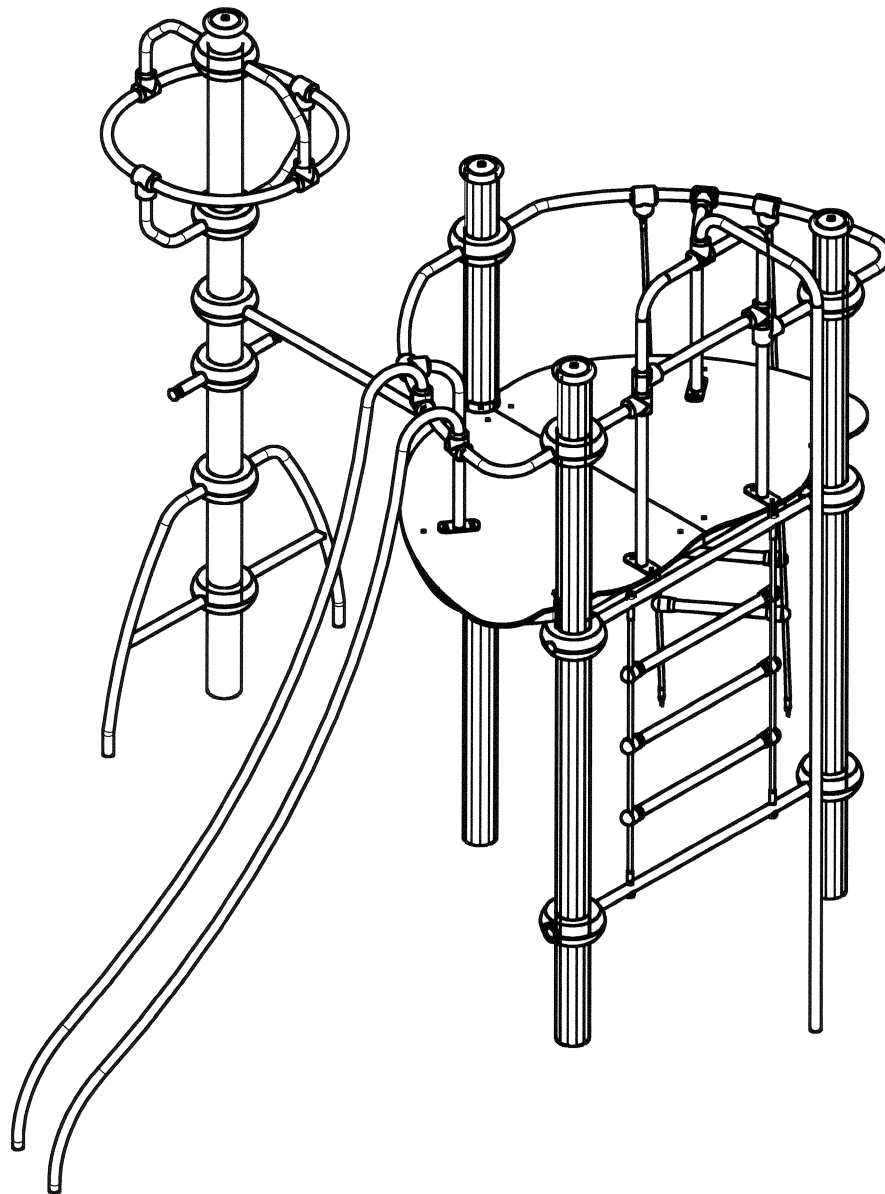


	VCZX 6x25	8
	VEBM6	8



MI2501VX x 8

	VECM10	16
	VBTR 10x90	16
	VTF 8x90	16
	MI2503N	4
	M10440N	20
	VEFM10	4
	MI 2508VX	32
	R 2502	4

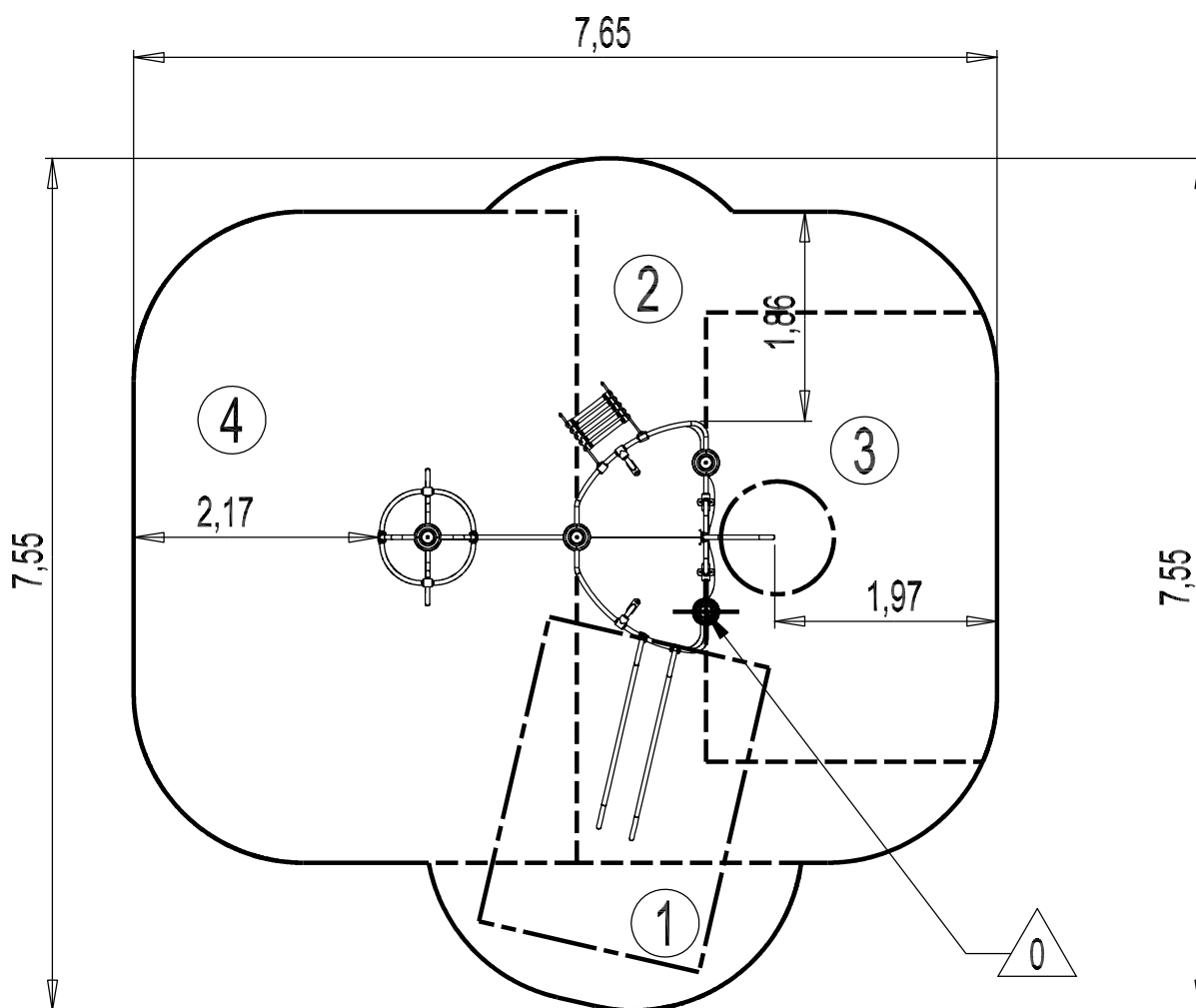


N°		
①	0.6 m	3.5 m ²
②	1.95 m	11 m ²
③	2.2 m	10.5 m ²
④	2.5 m	22 m ²

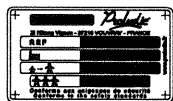
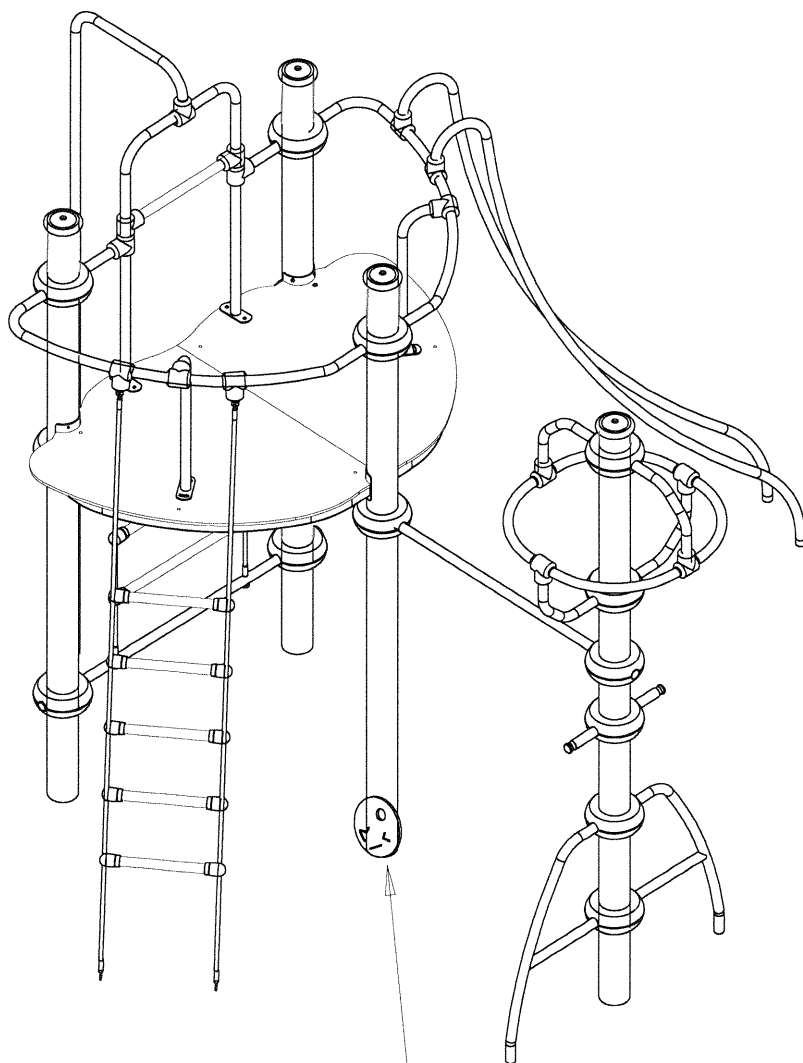
Zone d'Impact
 Impact Area
 Area de Impacto
 Fallraum
 Valzone

EN1176-1 : 2017

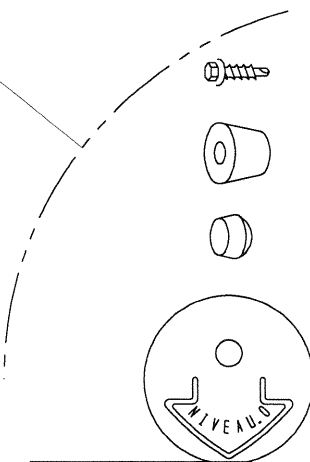
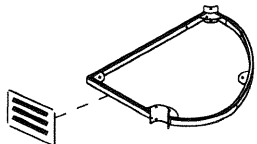
Espace libre
 Free Space
 Espacio Libre
 Freiraum
 Vrije ruimte



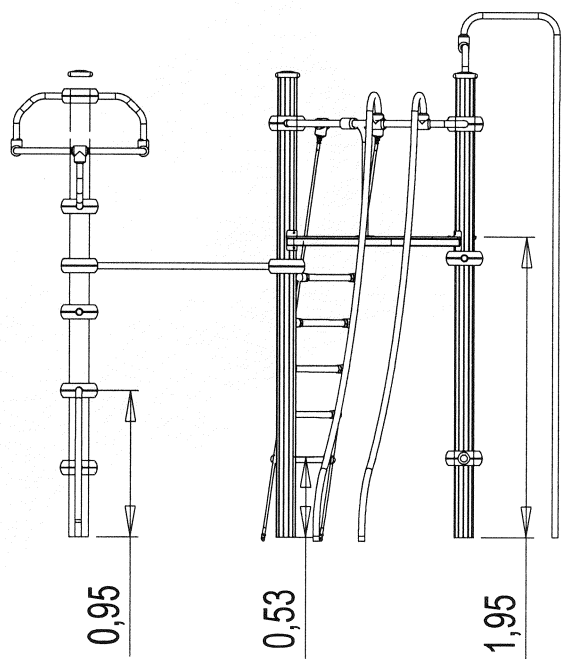
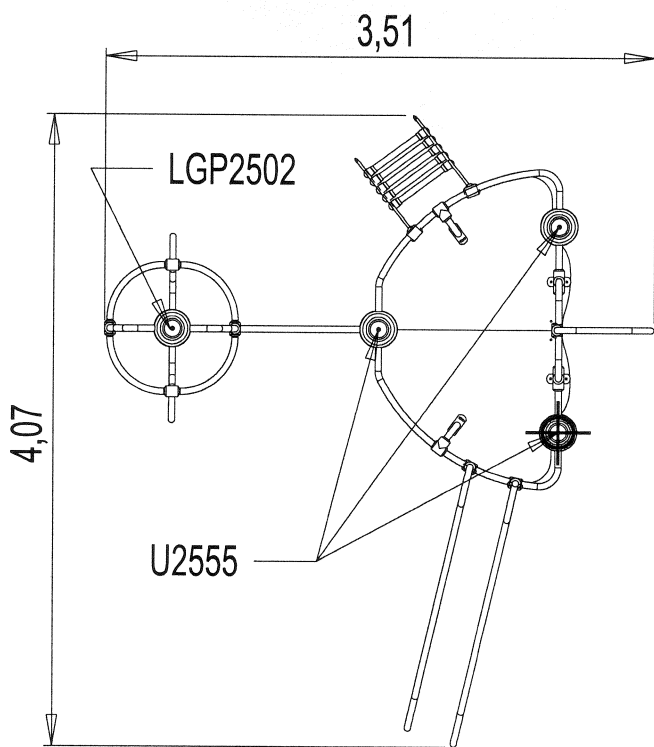
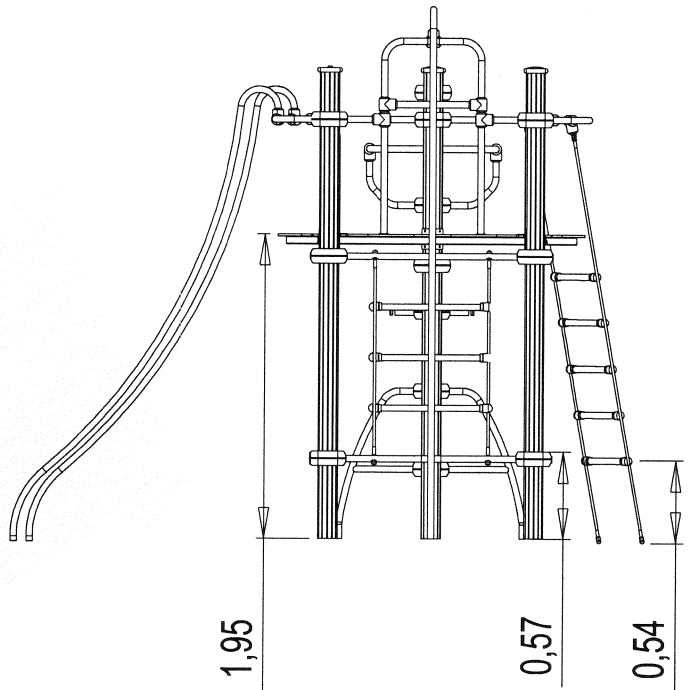
Point de Référence
 Setting Out Point
 Punto de referencia
 Bezugspunkt
 Referentiepunt



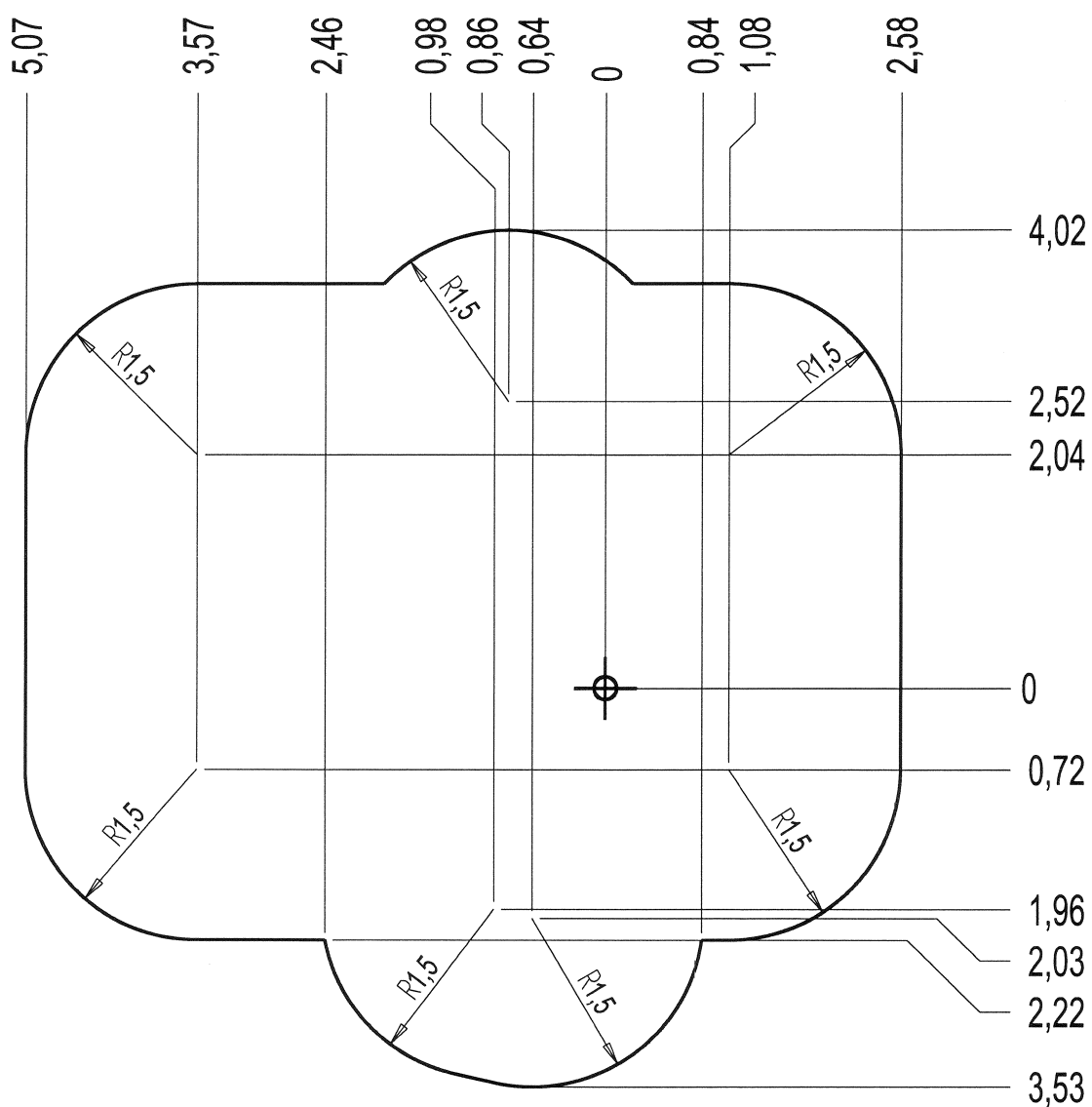
LA000



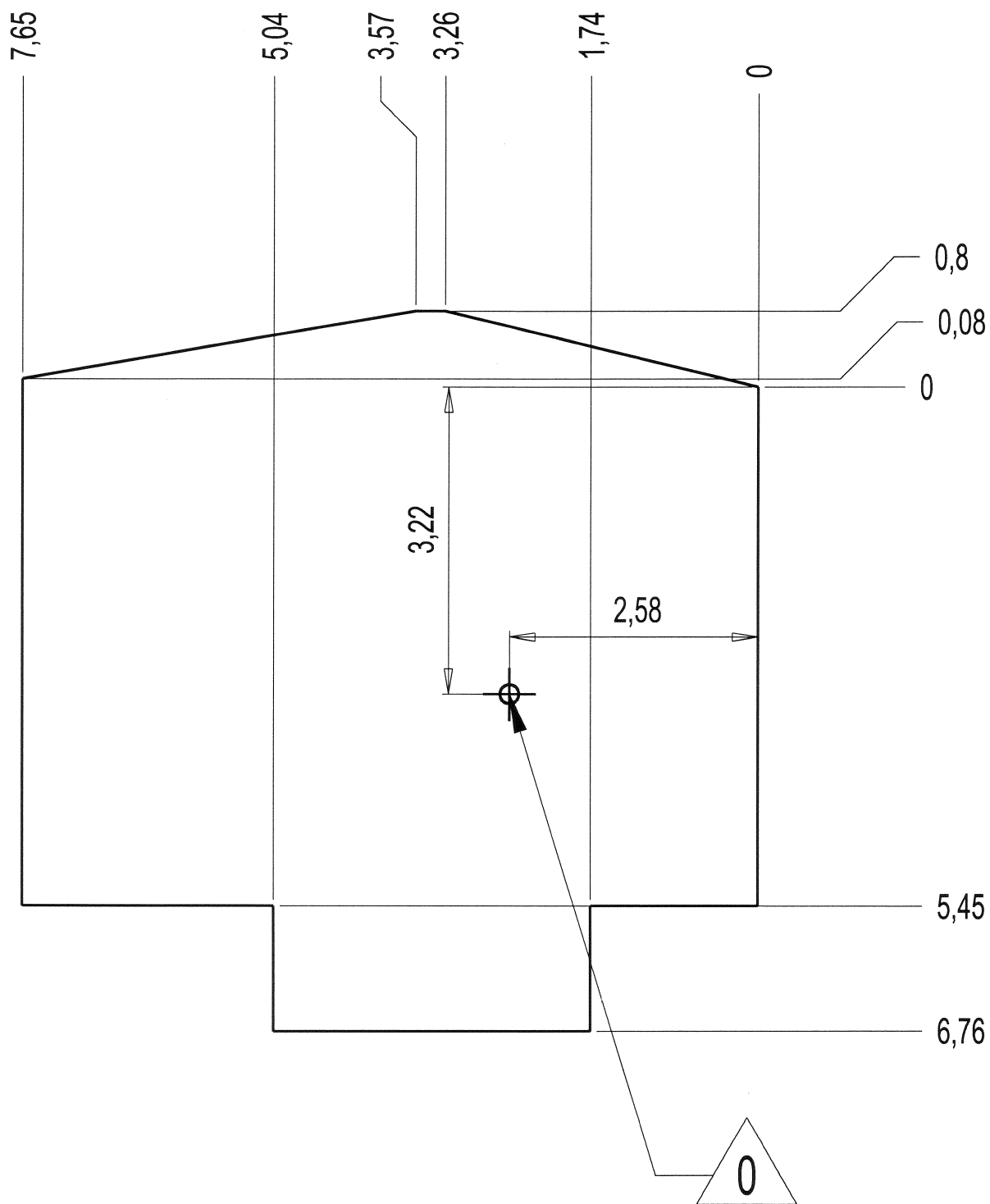
VTH6*30A
 +
 M8310N
 +
 M8440N
 +
 MI0002



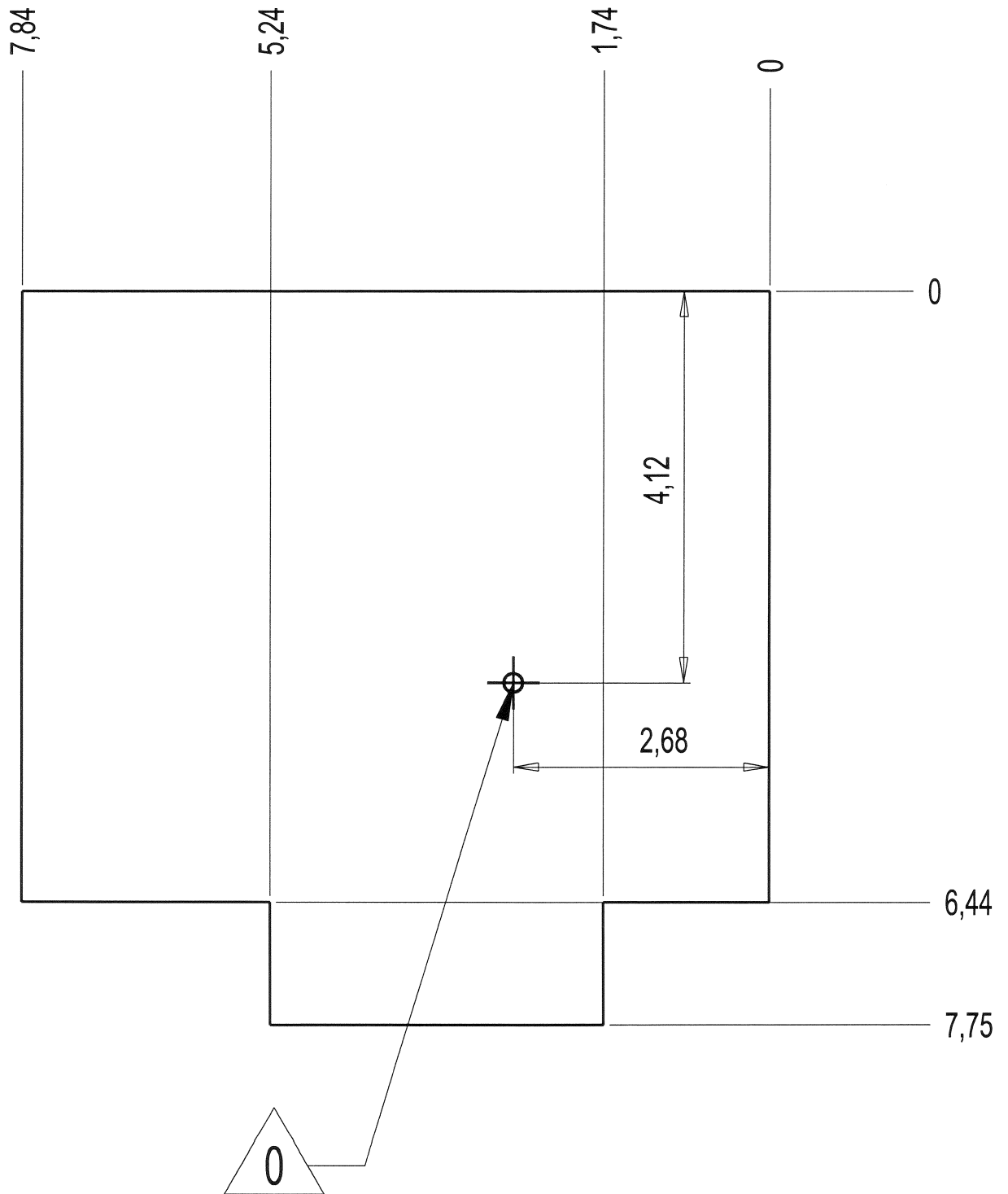
— Zone d' Impact 47 m²
 Impact Area
 Area de Impacto
 Fallraum
 Valzone



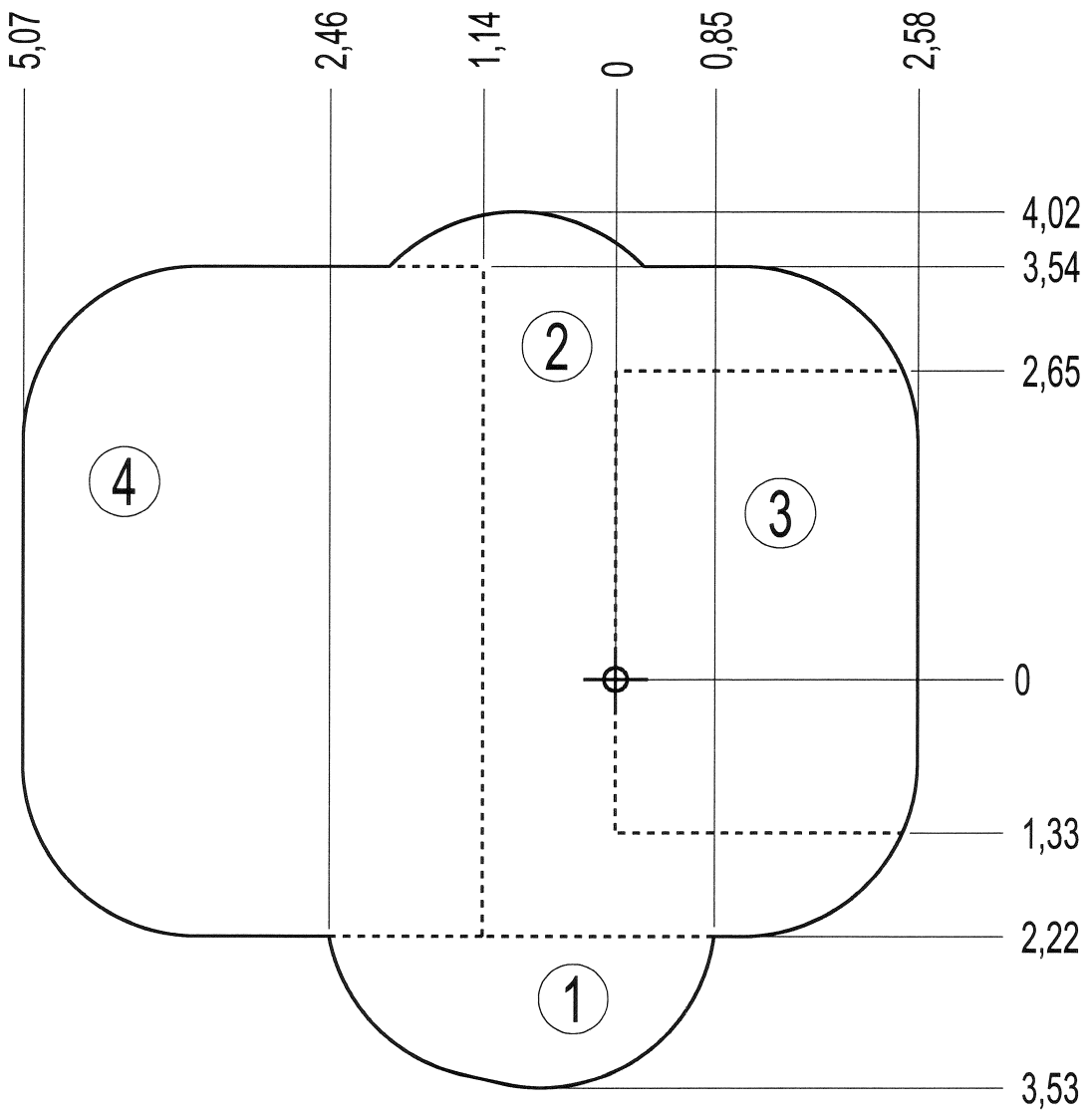
— Dalle béton 31 m
 Concrete pad 50 m²
 Solera de Hormigón
 Beton Bodenplatte
 Betonnen bodenplaat



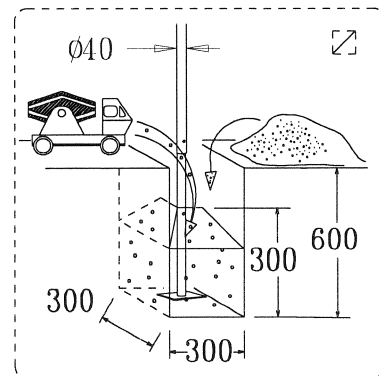
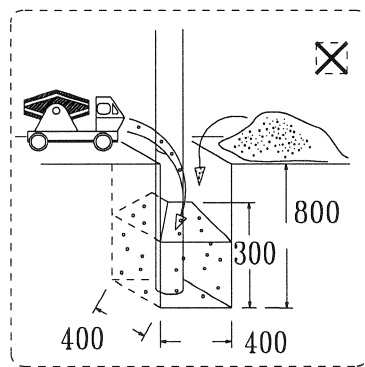
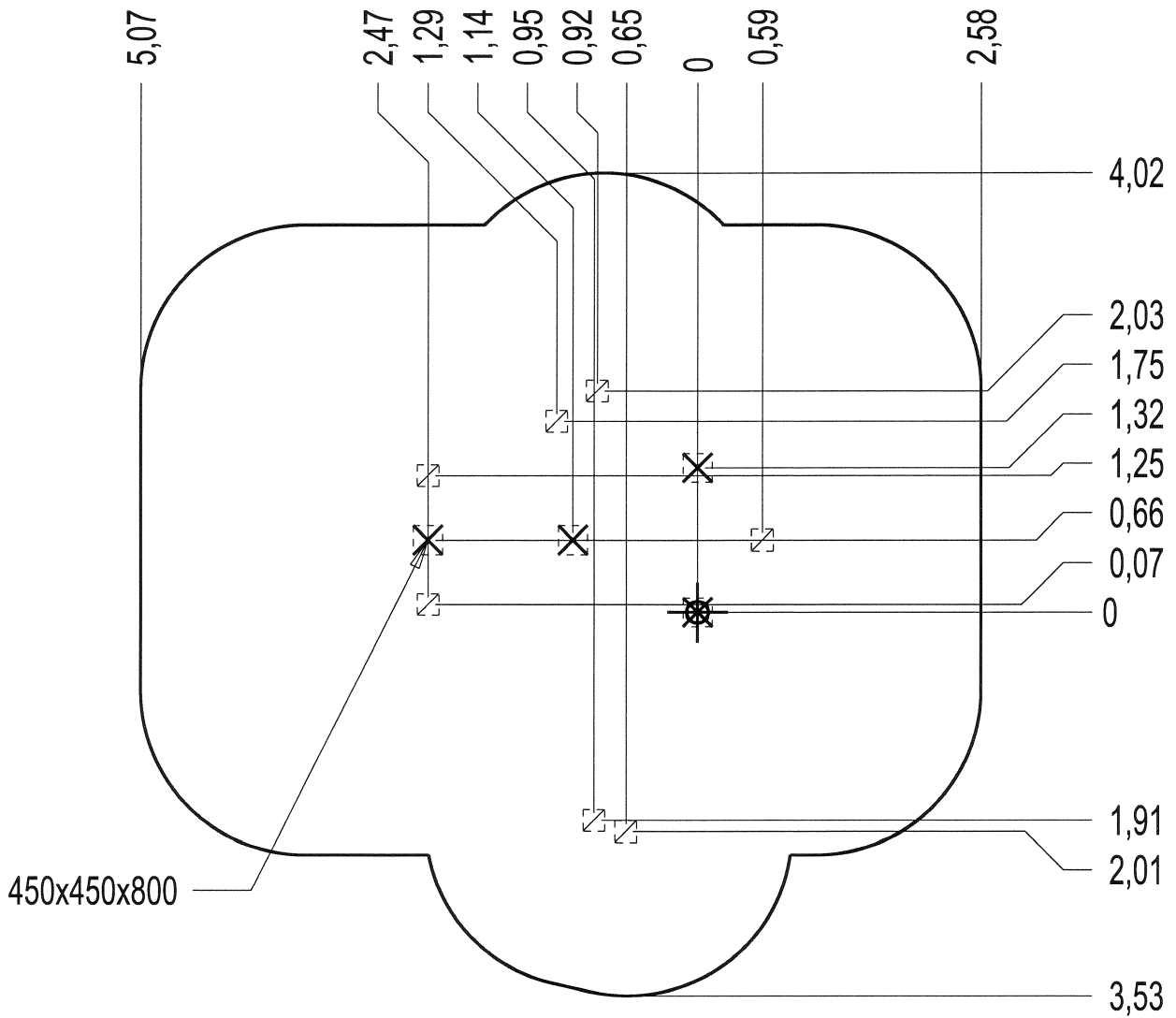
— Sol fluent 32 m
Loose particle material 56 m²
Arenero
Loses Bodenmaterial
Los bodenmaterial






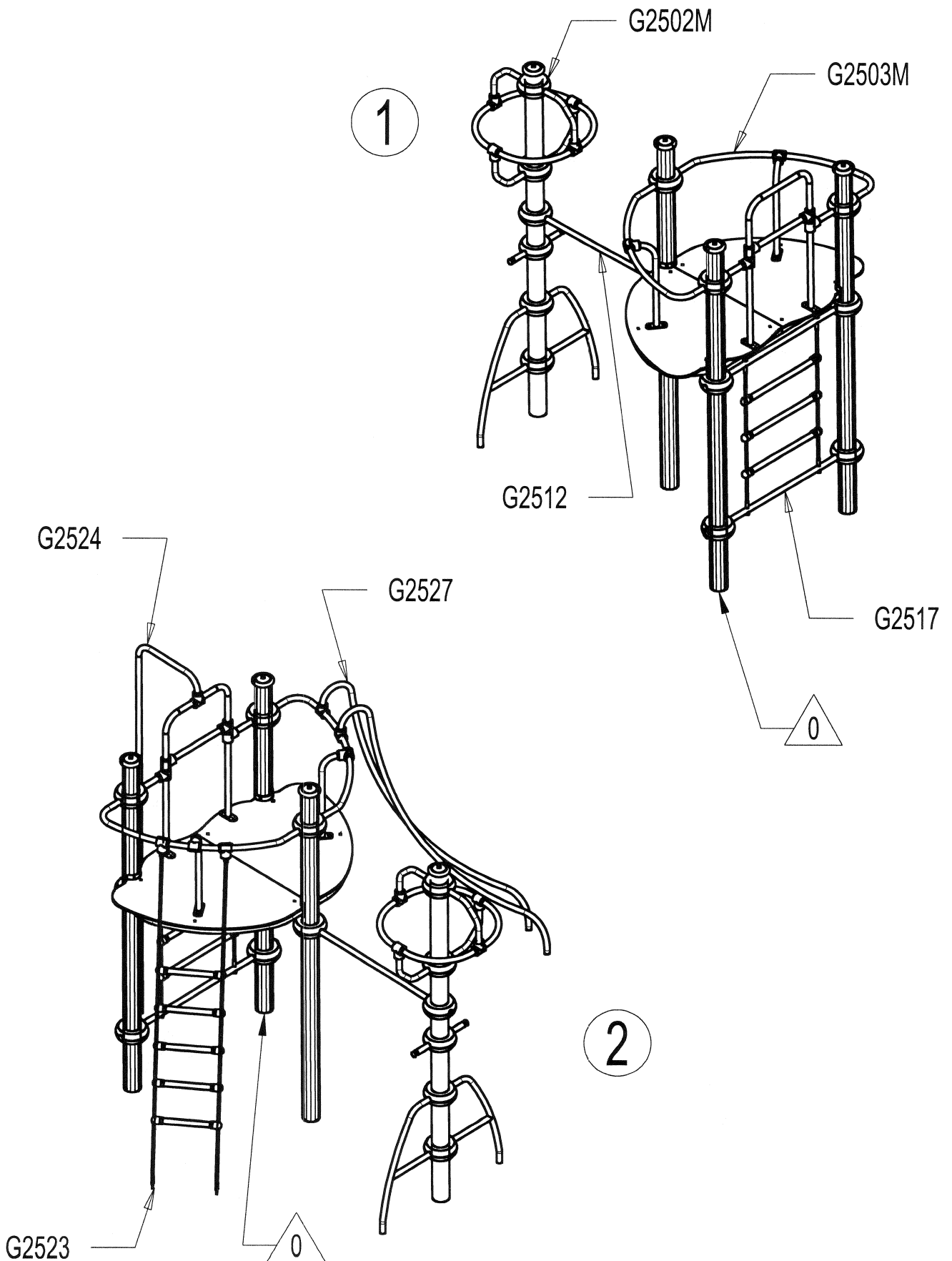
— Sol souple **47 m²**
 Wetpour
 Caucho Continuo
 Synthetischer Fallschutz
 Gietvloer

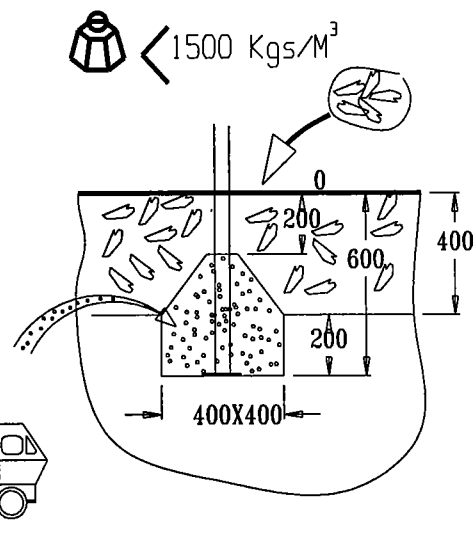
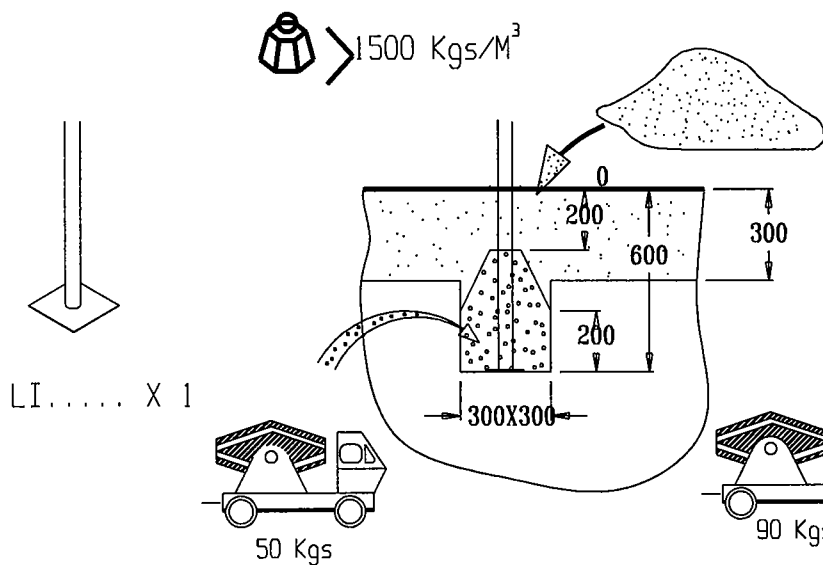
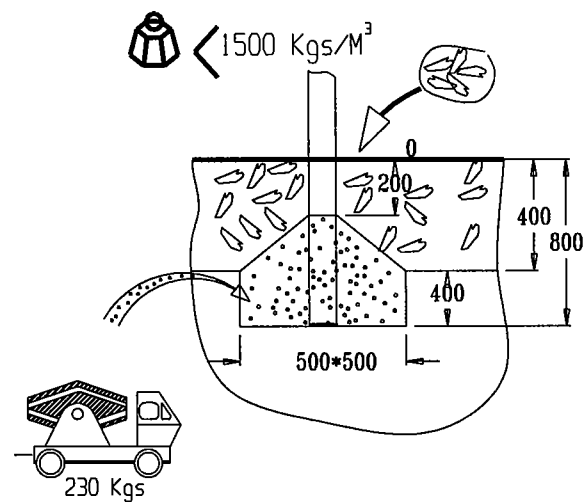
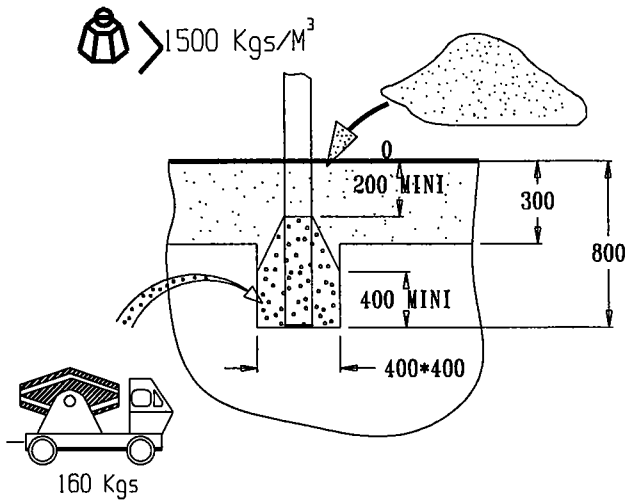
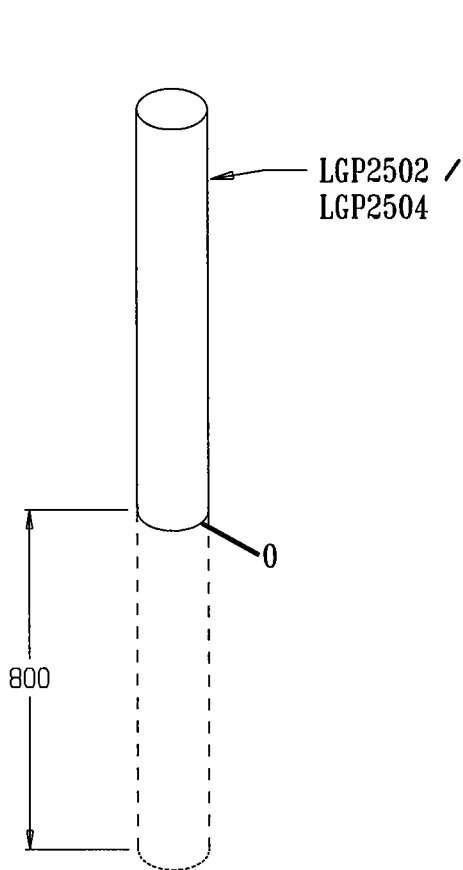


Implantation
 Footing plan
 Implantación
 Fundamentplan
 Funderingstekening

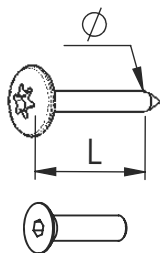


 x2	 14H30	 0.43m ³
---	---	--





LI..... X 1



VBT 6 x 30
 \varnothing \uparrow L (mm)

VFHC



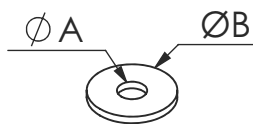
VEC M10
 \varnothing



VEF



VEB

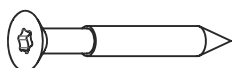


VR6x18
 $\varnothing A$ $\varnothing B$

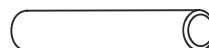
VTHA

1000 - 1800 tr/min
 Vitesse de rotation
 Rotation speed

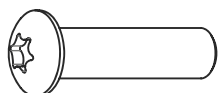
14 N.m
 Couple de rupture
 Torque of break



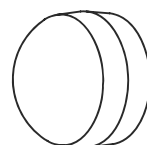
VWT



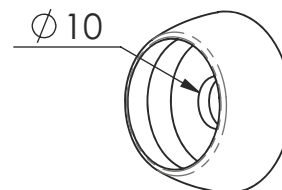
VGC



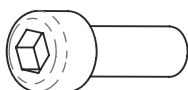
VCBHC



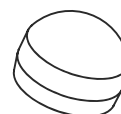
M10 440N



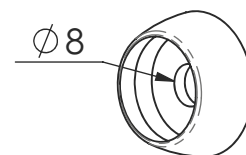
M10 310 N



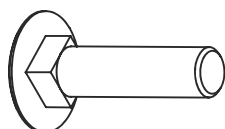
VBTR



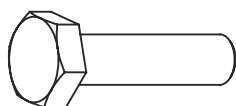
M8440N



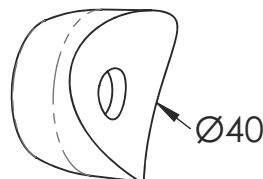
M8310N



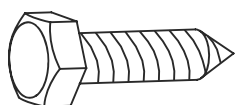
VTRCC



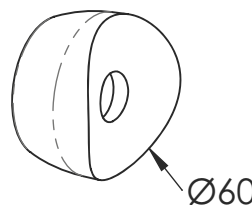
VTH



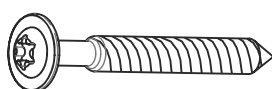
MI2503



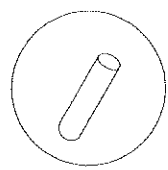
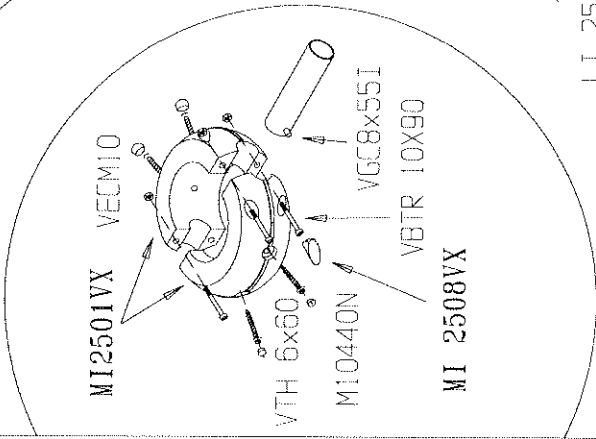
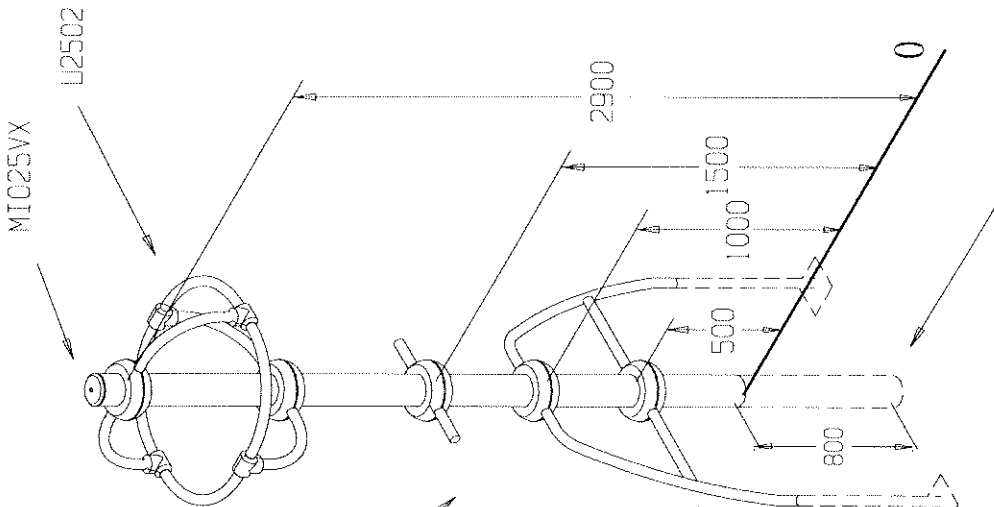
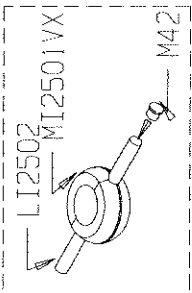
VTF



MI2701



VBT



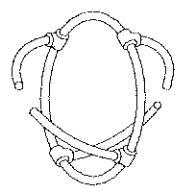
LI2502 x 2
Lg 167



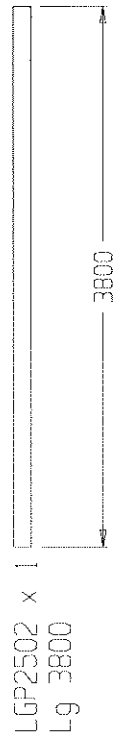
MI025VX x 1



MI2501VX x 10

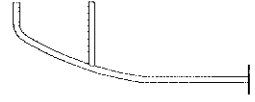


LI2502 x 1

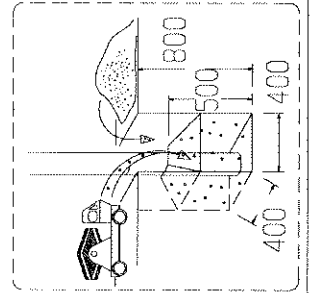
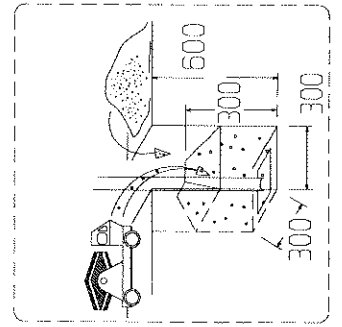


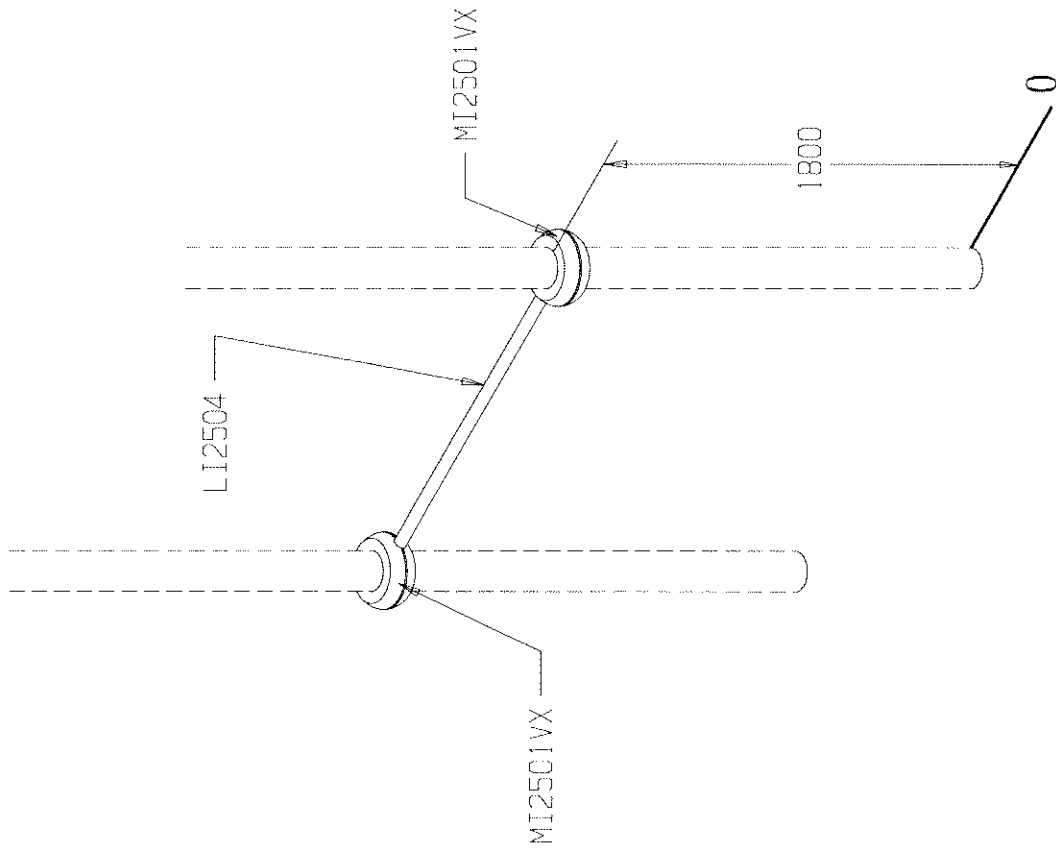
LGP2502 x 1
Lg 3800

	VGC8*55I	6
	VFHC6x40	1
	VTH6*60 AUTO 20	
	M10440	21
	VECM10	20
	VBTR 10x90	20
	MI 2508VX	40
	M42	2



LI25149 x 2





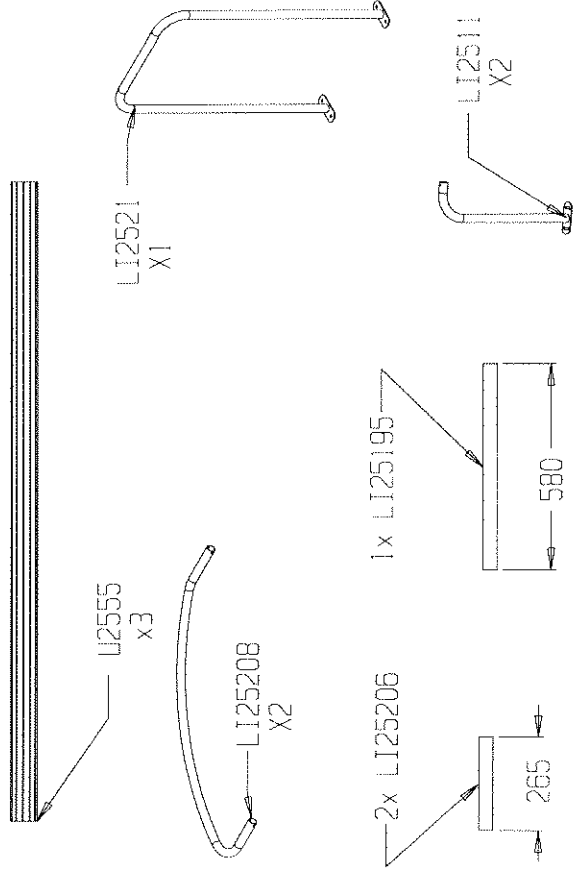
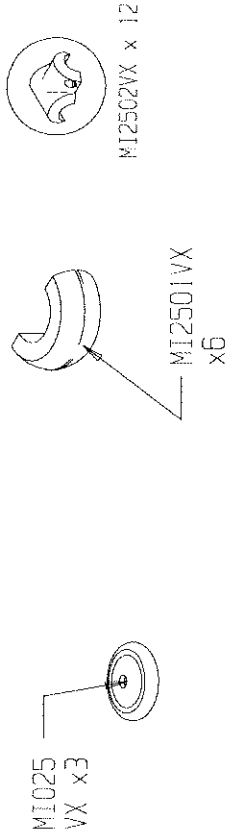
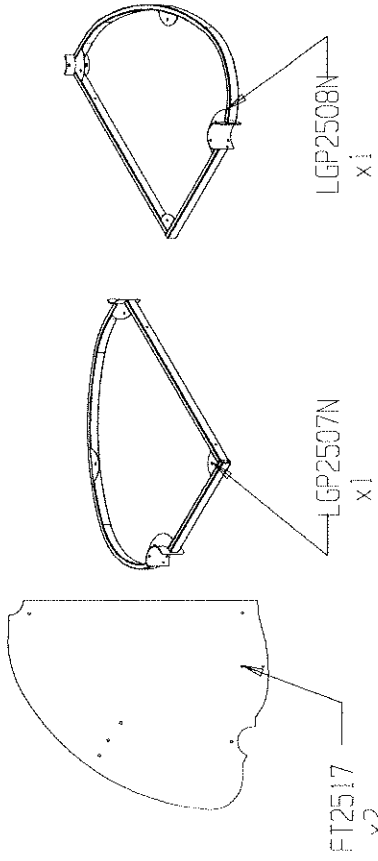
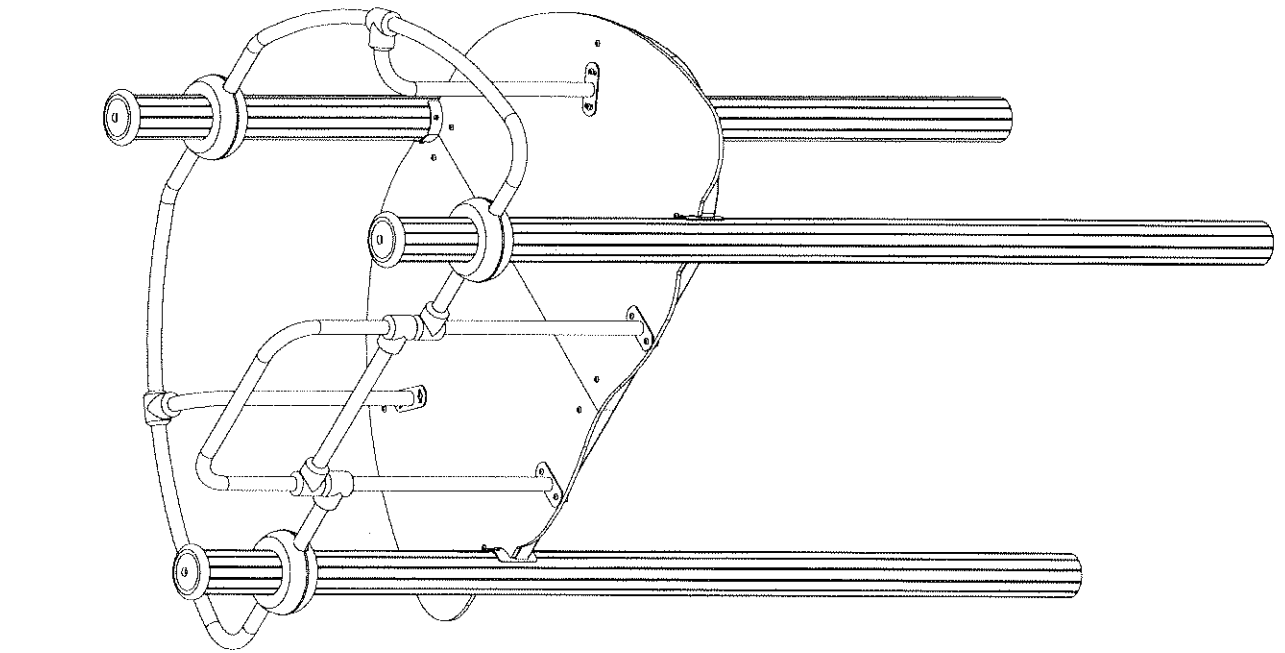
MI2501VX x 4

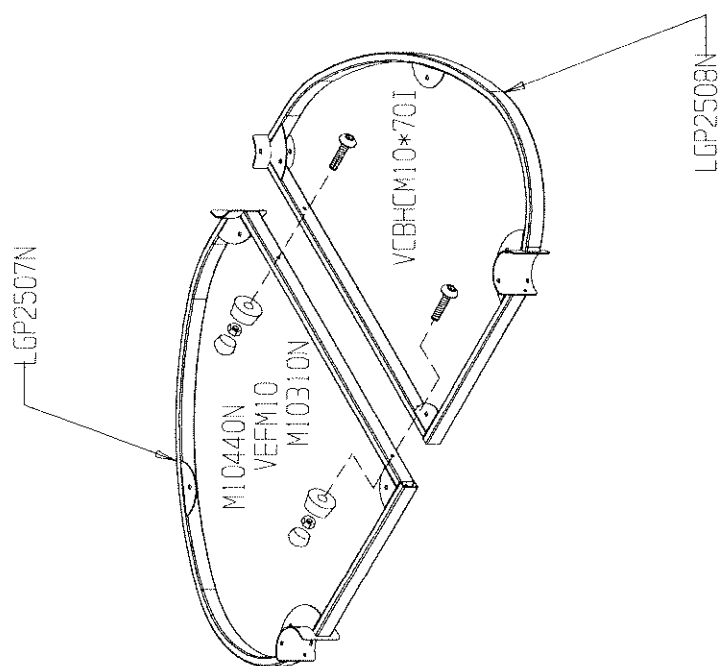


LI2504 x 1
Lg 1190

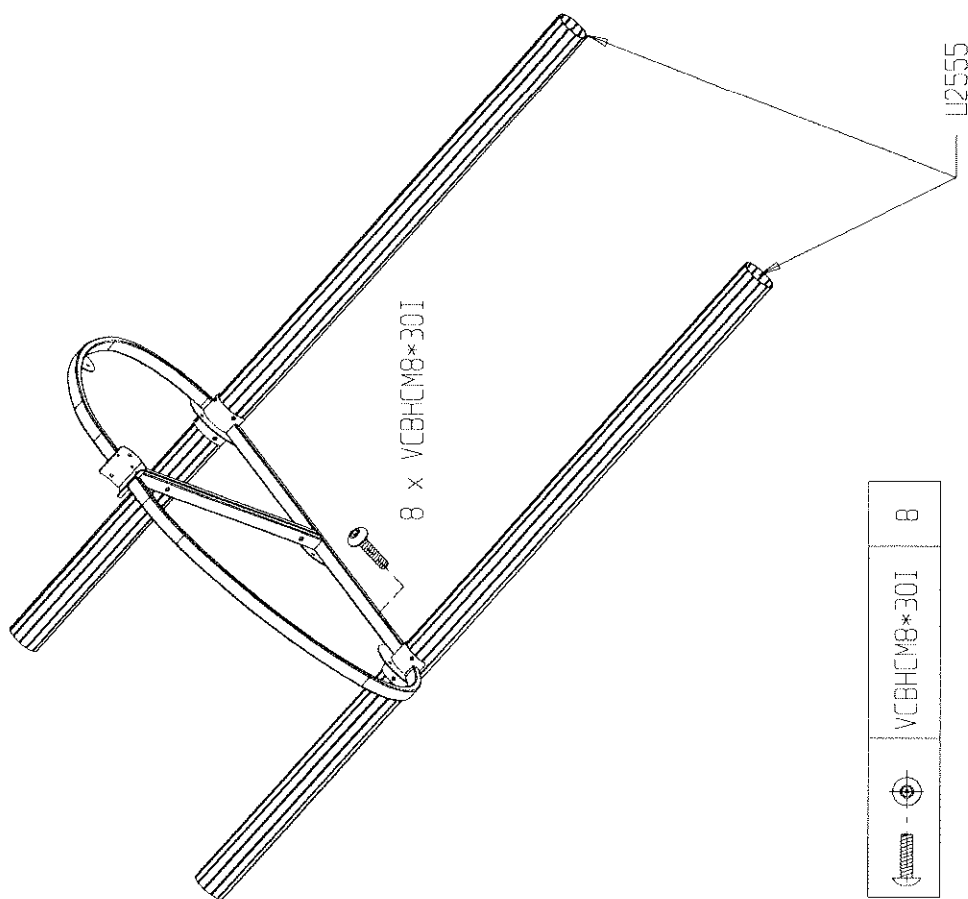


	VTH6*60 AUTOPERC	8
	VBTR 10x90	8
	M10440N	8
	VECM10	8
	R 2502	2
	MI 2508VX	16





	M10310N	2
	M10440N	2
	VCBHCM10*70I	2
	VEFM10	2

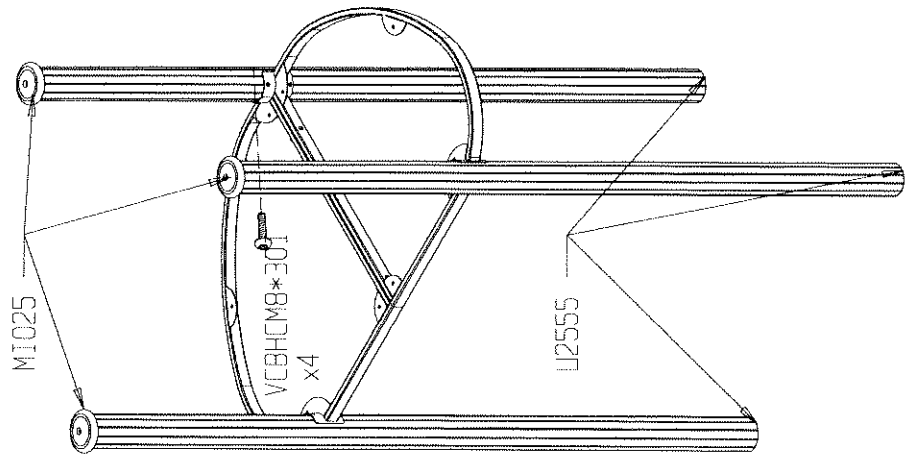
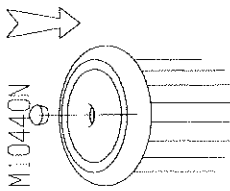
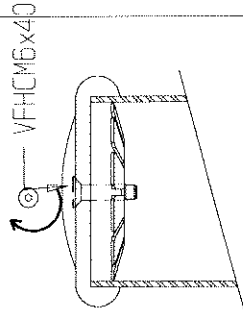
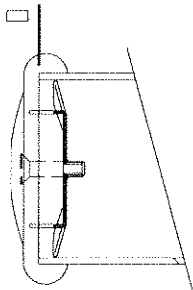
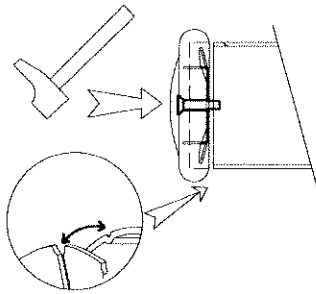
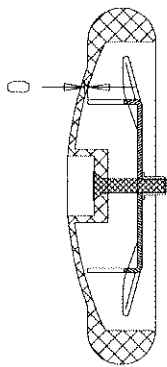
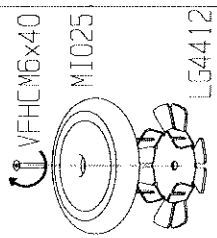


	VCBHCM8*30I	8
--	-------------	---

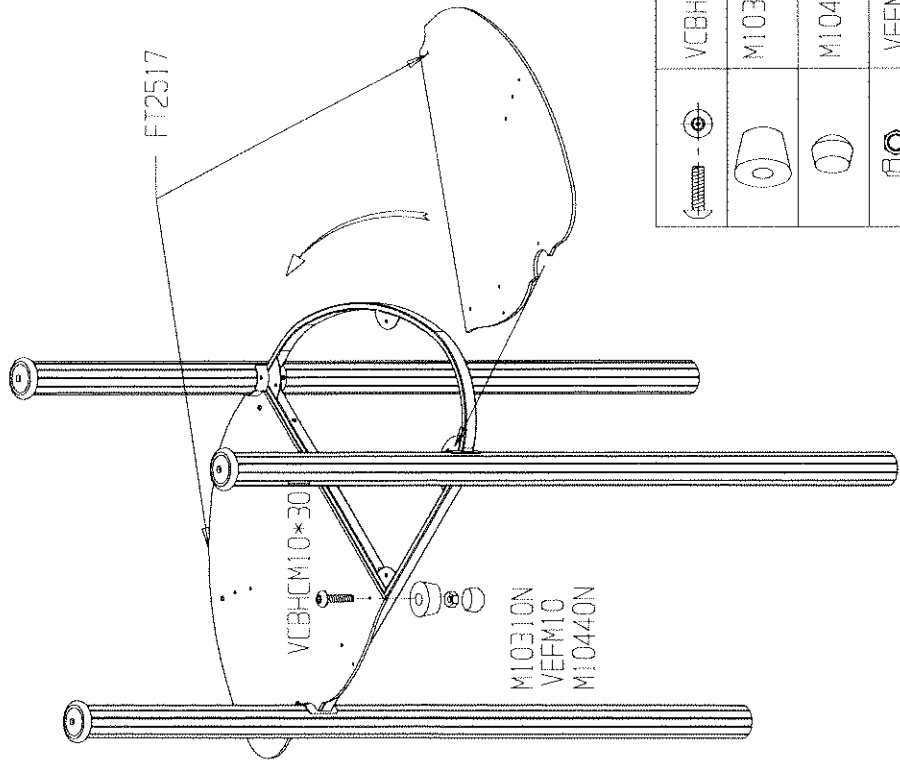
G2503M

3/5

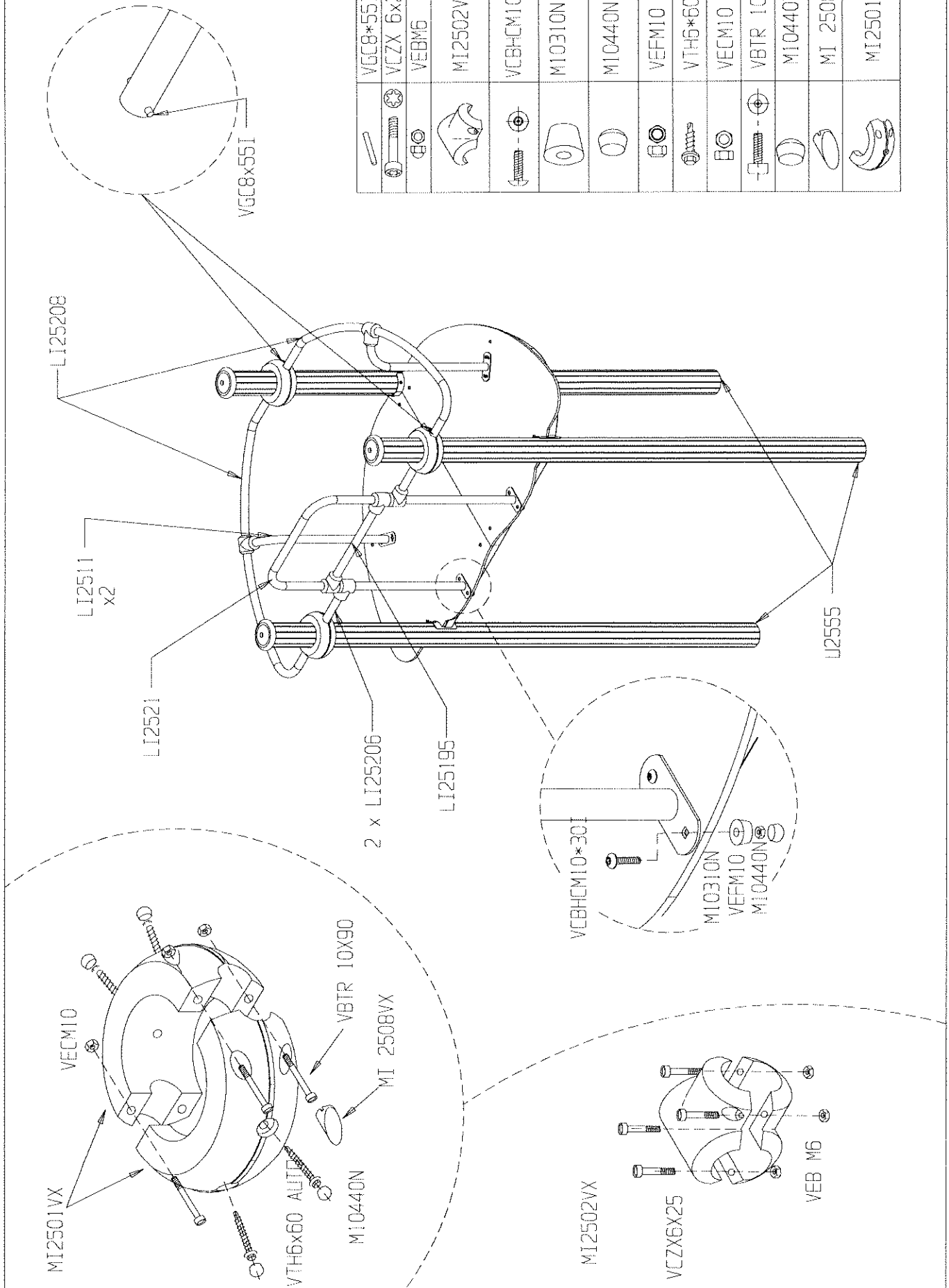
ProLudic



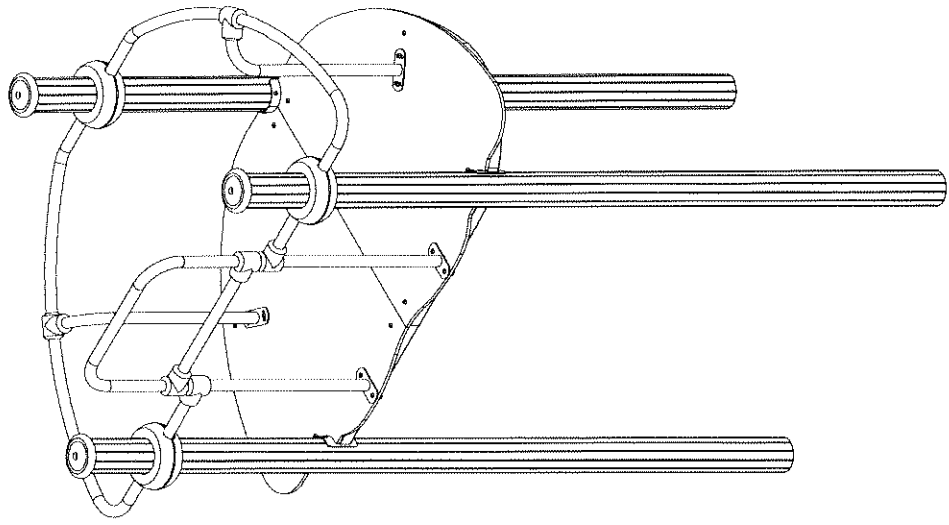
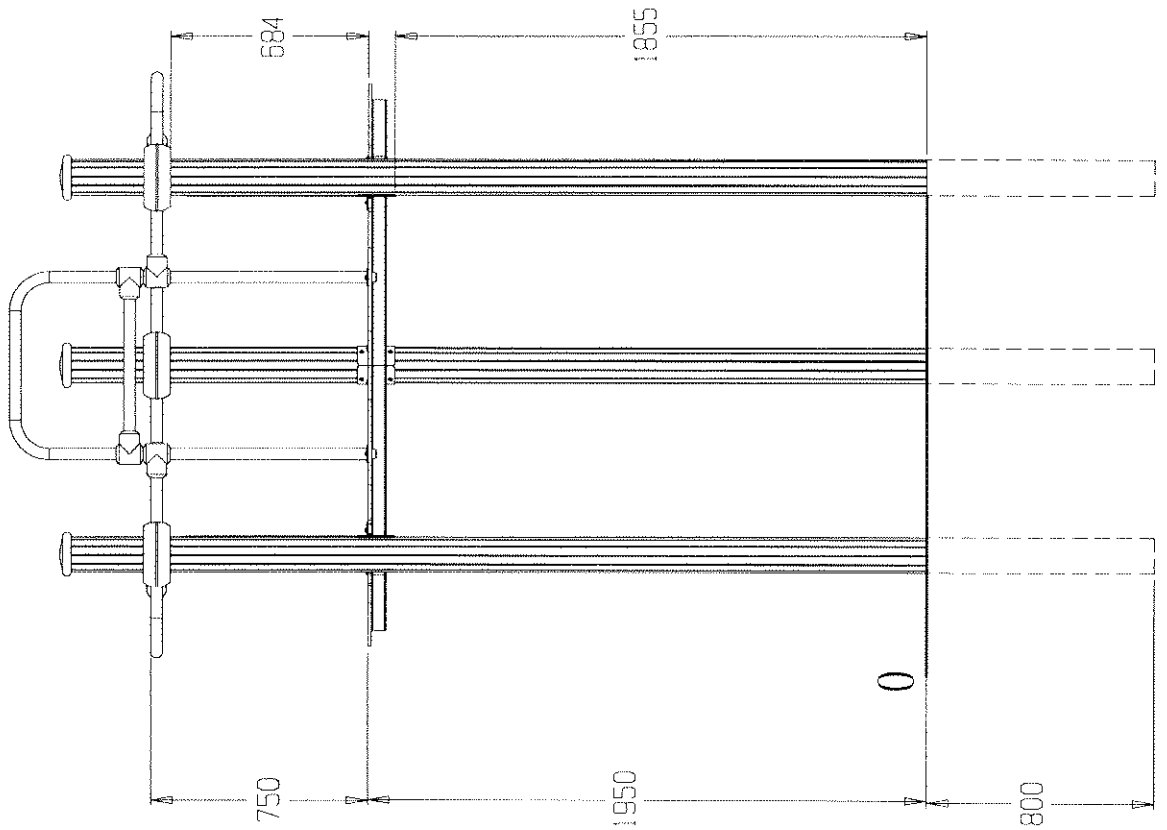
	VFHCM6x40	3
	MI 025VX	3
	MI0440N	3
	LG4412	3
	VCBHCM8*30I	4

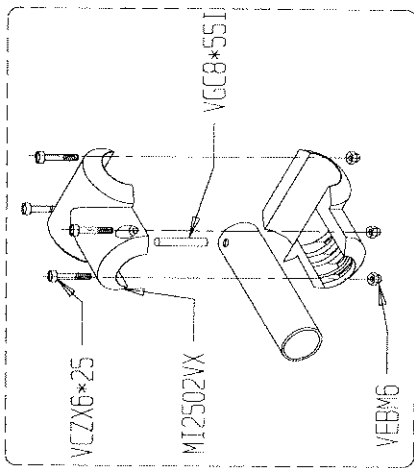


	VCBHCM10*30I	8
	MI0310N	8
	MI0440N	8
	VEFM10	8



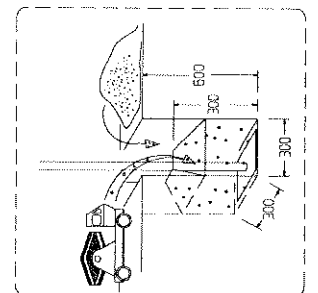
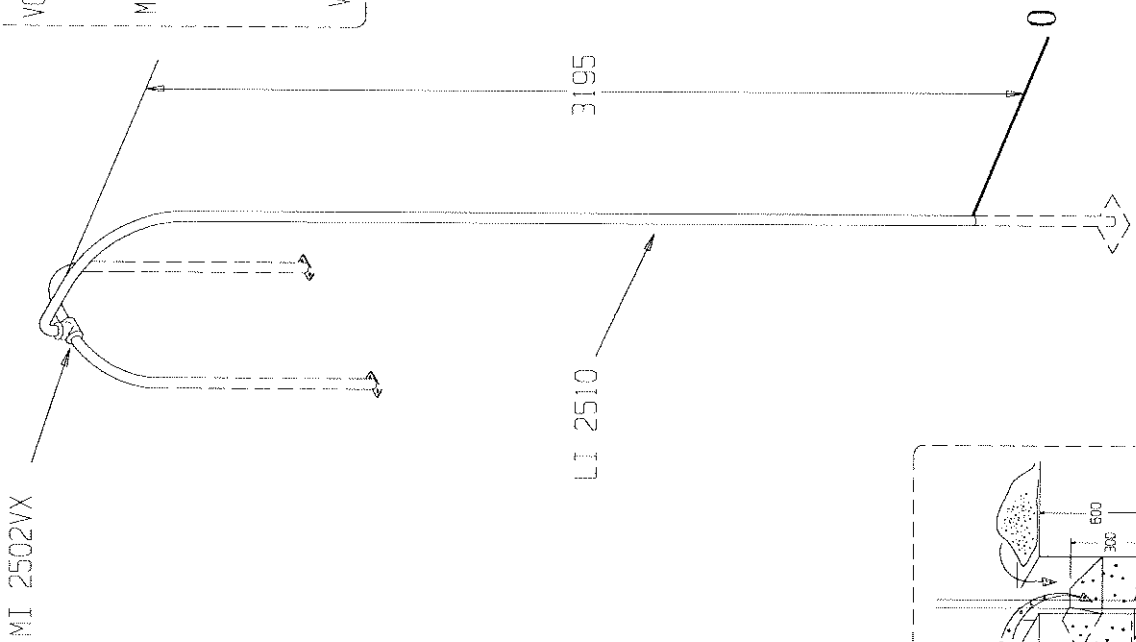
	VGC8*55T	4
	VCZX 6x25	24
	VEBM6	24
	MI2502VX	12
	VCBHC M10*30I	10
	M10310N	10
	M10440N	10
	VEFM10	10
	VTH6*60 ALUTC	12
	VECM10	12
	VBTR 10x90	12
	M10440N	12
	MI 2508VX	24
	MI2501VX	6



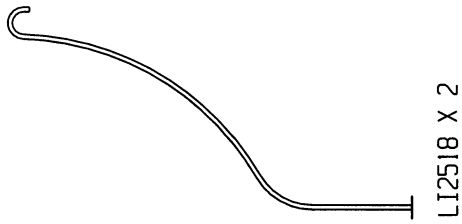
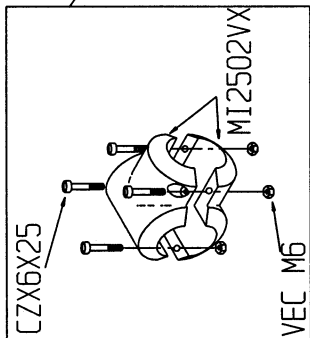


MI2502VX X 2

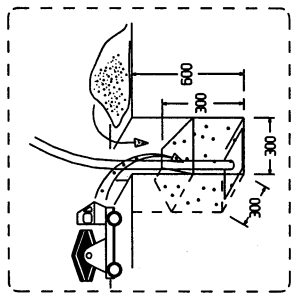
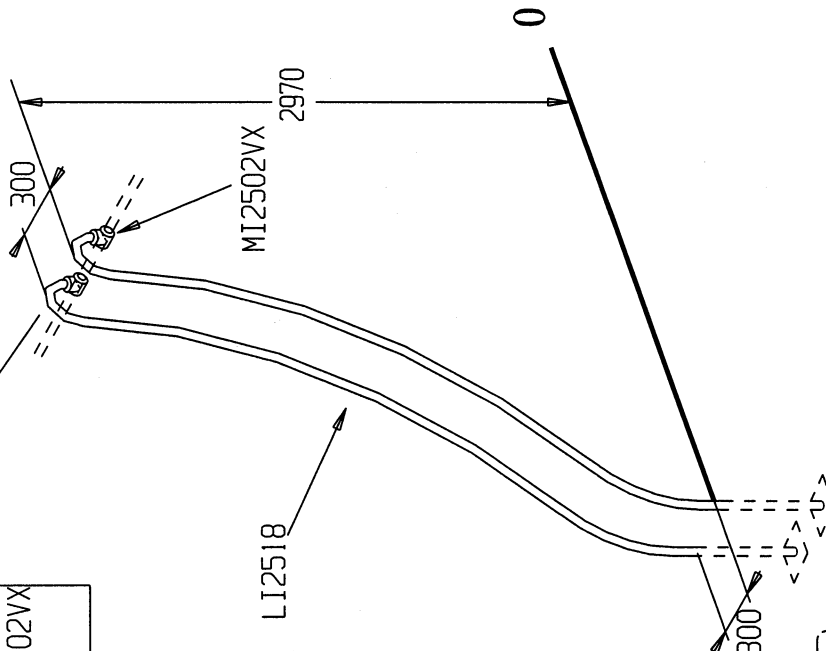
LI2510 X 1
Lg 3795



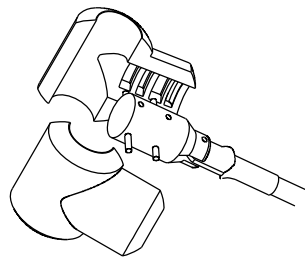
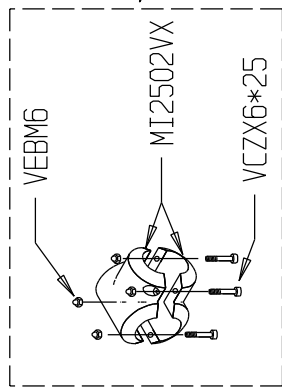
	VGC8*55I	1
	VCZX 6x25	4
	VEBM6	4



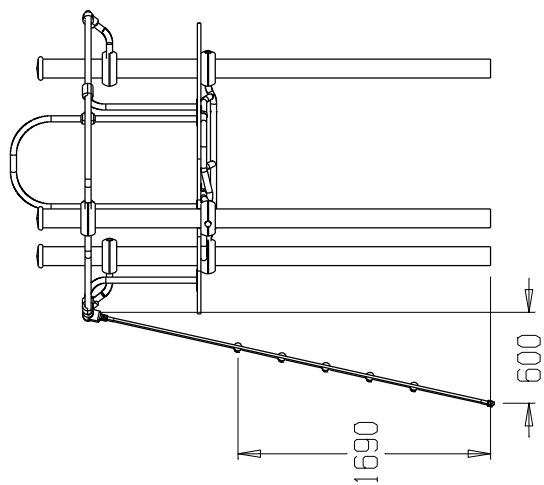
MI2502VX X 4



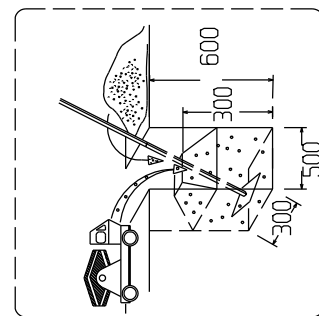
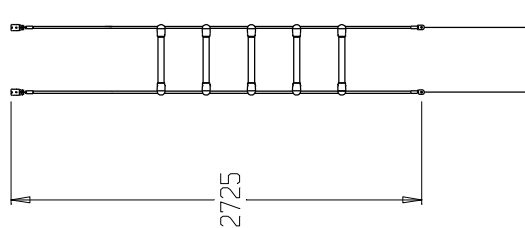
⊕	VEC M6	8
⊕	VCZX 6x25	8



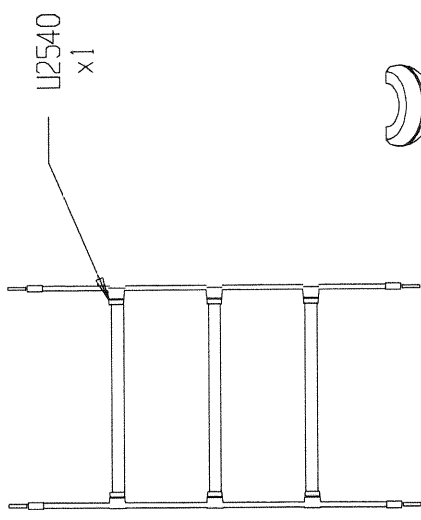
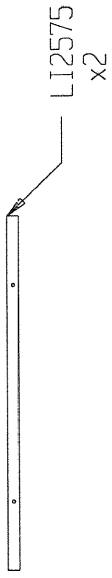
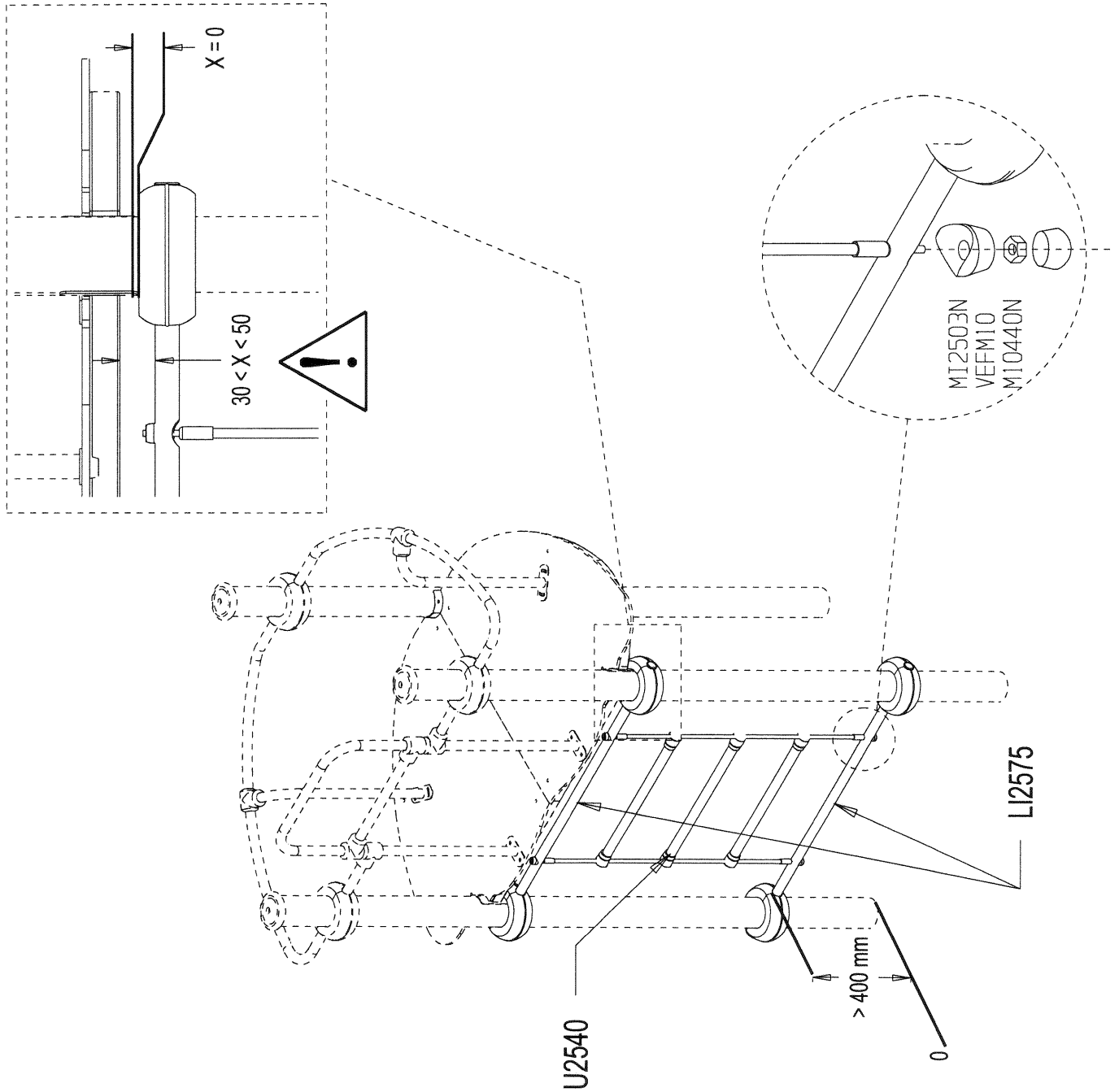
MI2502VX X 4



U2544x 1
Lg 2725



	VCZX 6x25	8
	VEBM6	8



MI2501VX x 8

	VECM10	16
	VBTR 10x90	16
	VTH 6x60 AUTO	16
	MI2503 N	4
	M10440 N	20
	VEFM10	4
	MI 2508VX	32
	R 2502	4