



N°		
1	0.6 m	24.5 m <sup>2</sup>
2	1.55 m	2.5 m <sup>2</sup>
3	1.95 m	33 m <sup>2</sup>

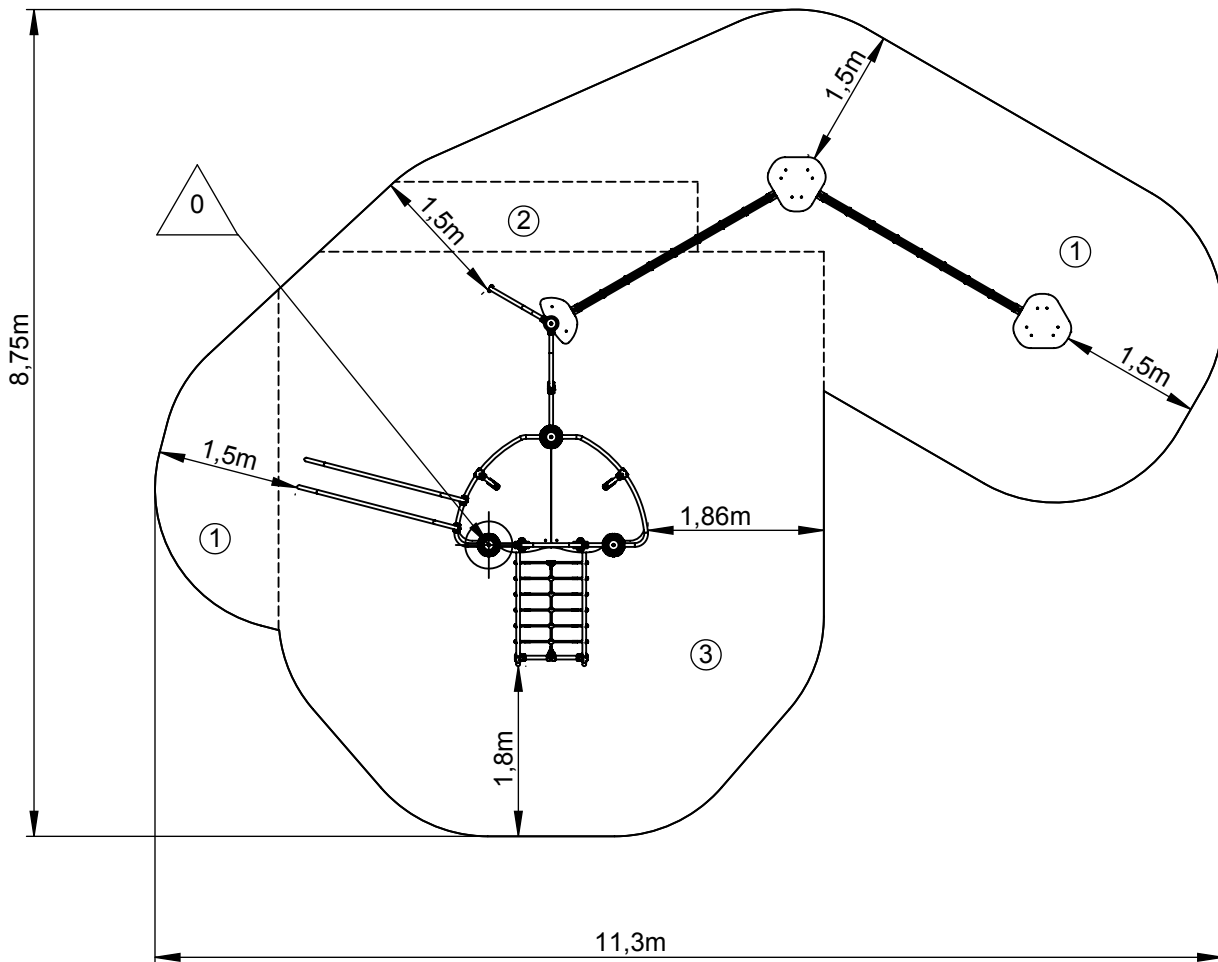
— Zone d'impact  
Impact area  
Area de impacto  
Fallraum  
Valzone

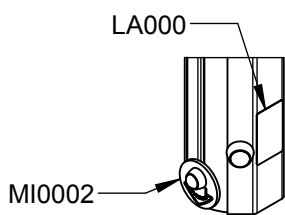
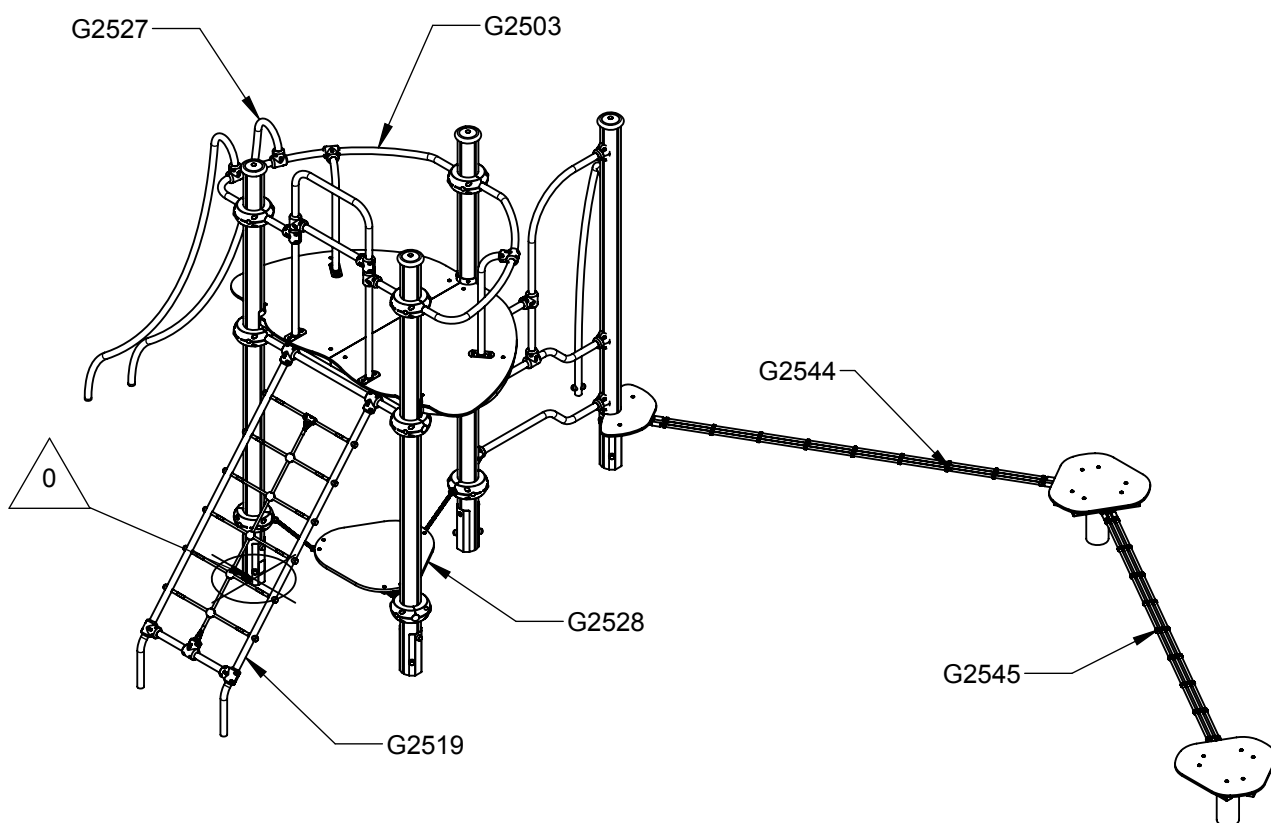


Point de référence  
Setting out point  
Punto de referencia  
Bezugspunkt  
Referentiepunt

- - - Espace libre  
Free space  
Espacio libre  
Freiraum  
Vrije ruimte

EN1176-1 : 2017

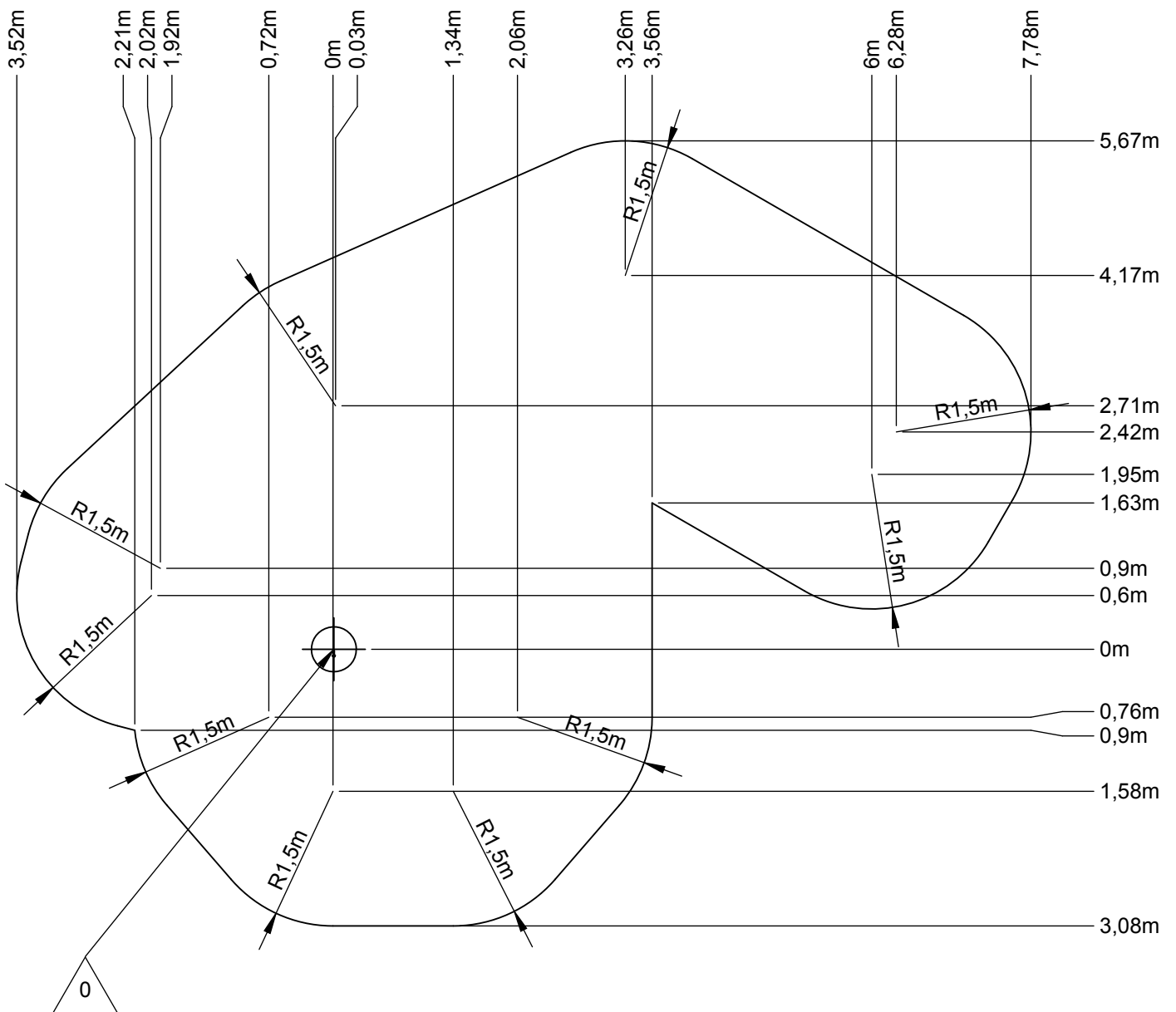




G2503	1
G2519	1
G2527	1
G2528	1
G2544	1
G2545	1
LA000	1
M8310N	1
M8440N	1
MI0002	1
VTF10x60	1

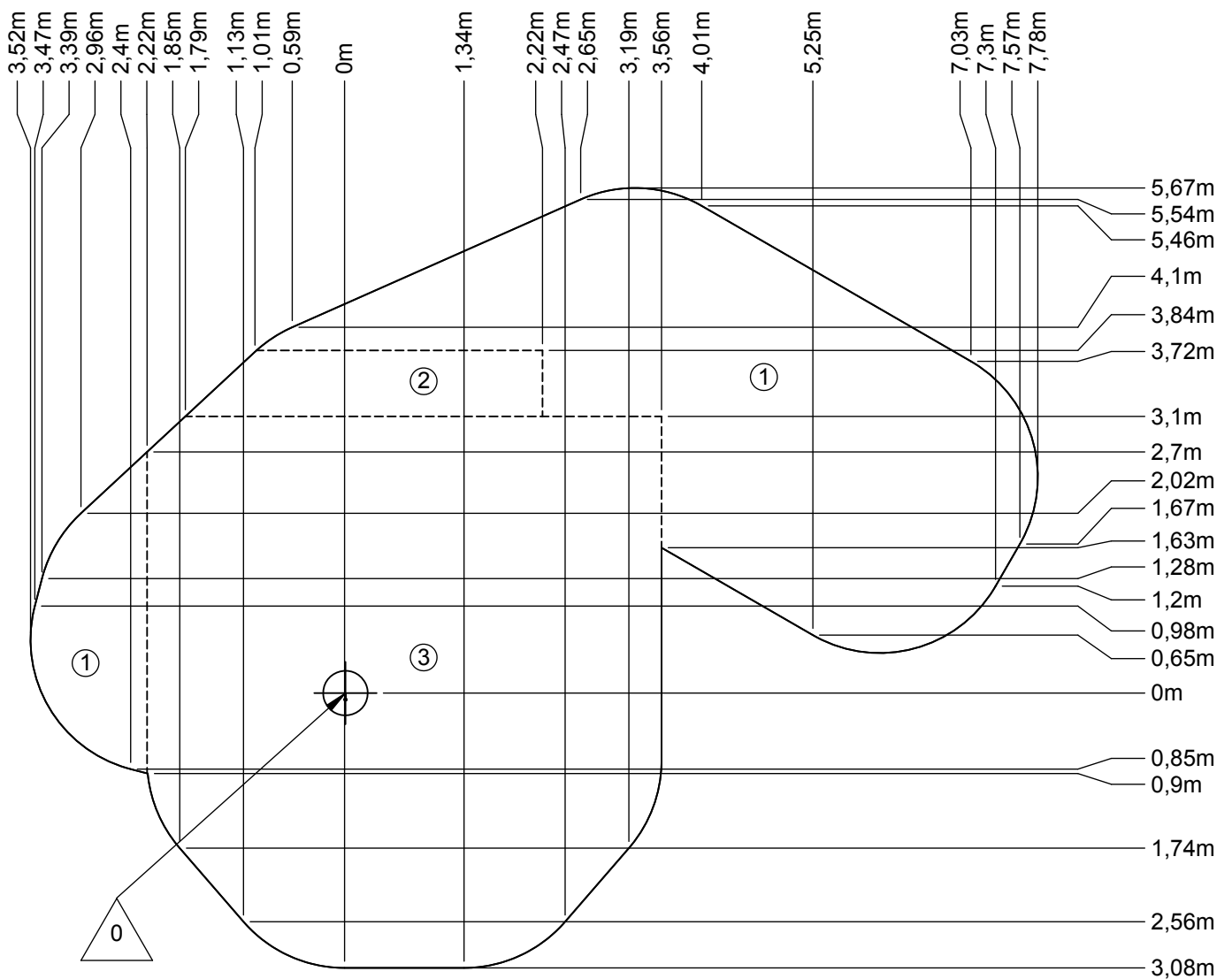
— Zone d'impact  
 Impact area  
 Area de impacto  
 Fallraum  
 Valzone

60 m<sup>2</sup>



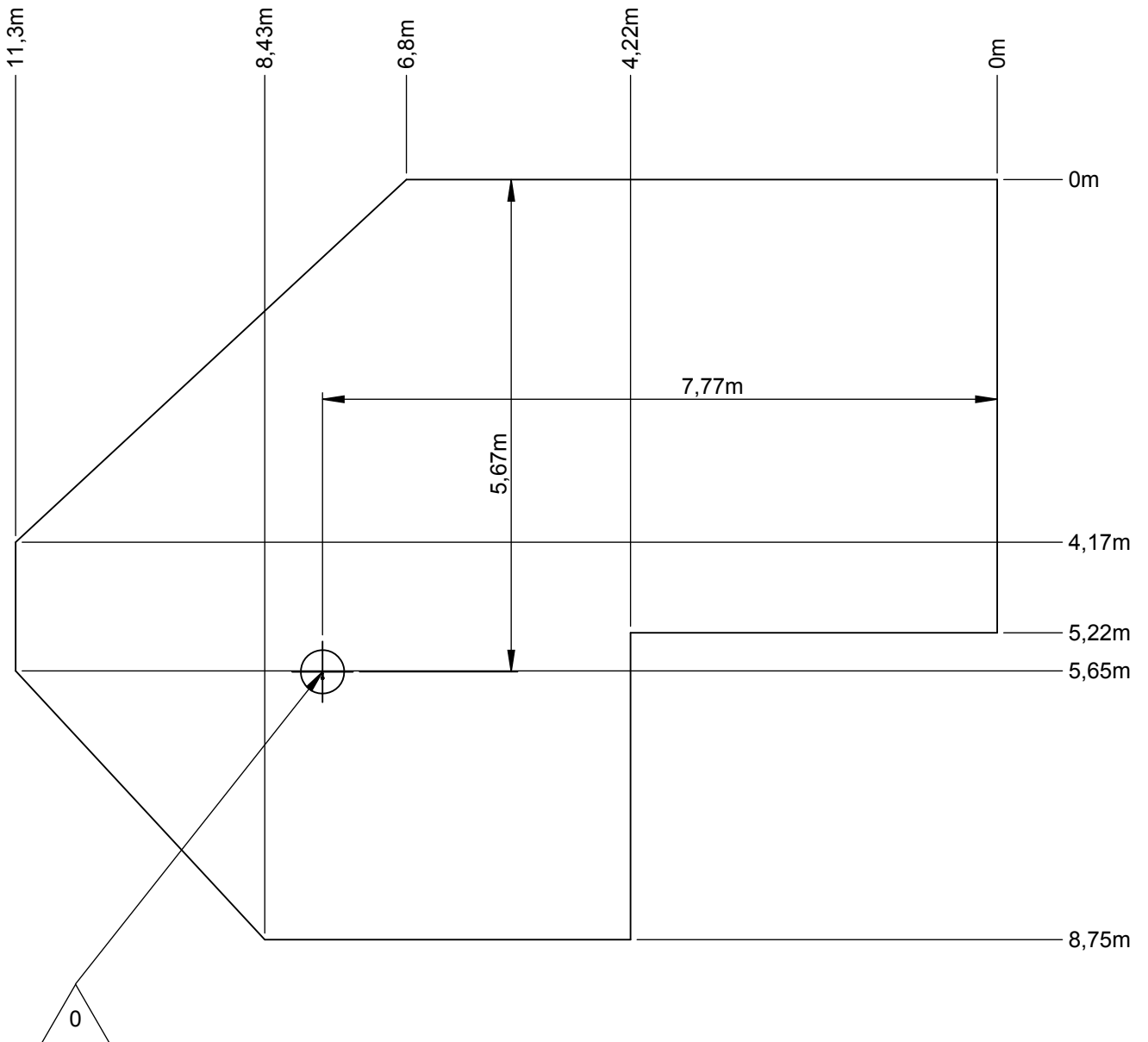
— Sol souple  
 — Wetpour  
 — Caucho continuo  
 — Synthetischer fallschutz  
 — Gietvloer

60 m<sup>2</sup>

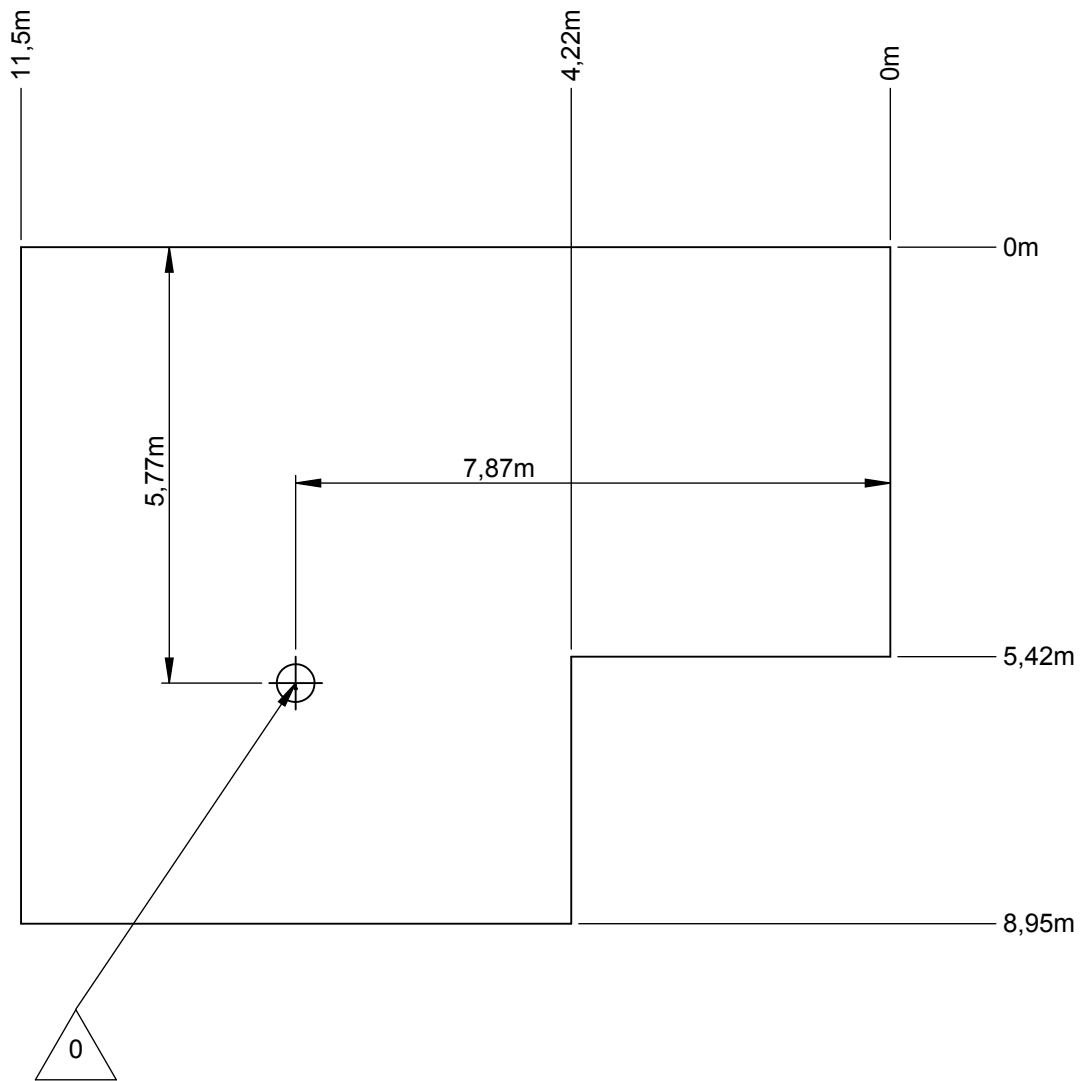


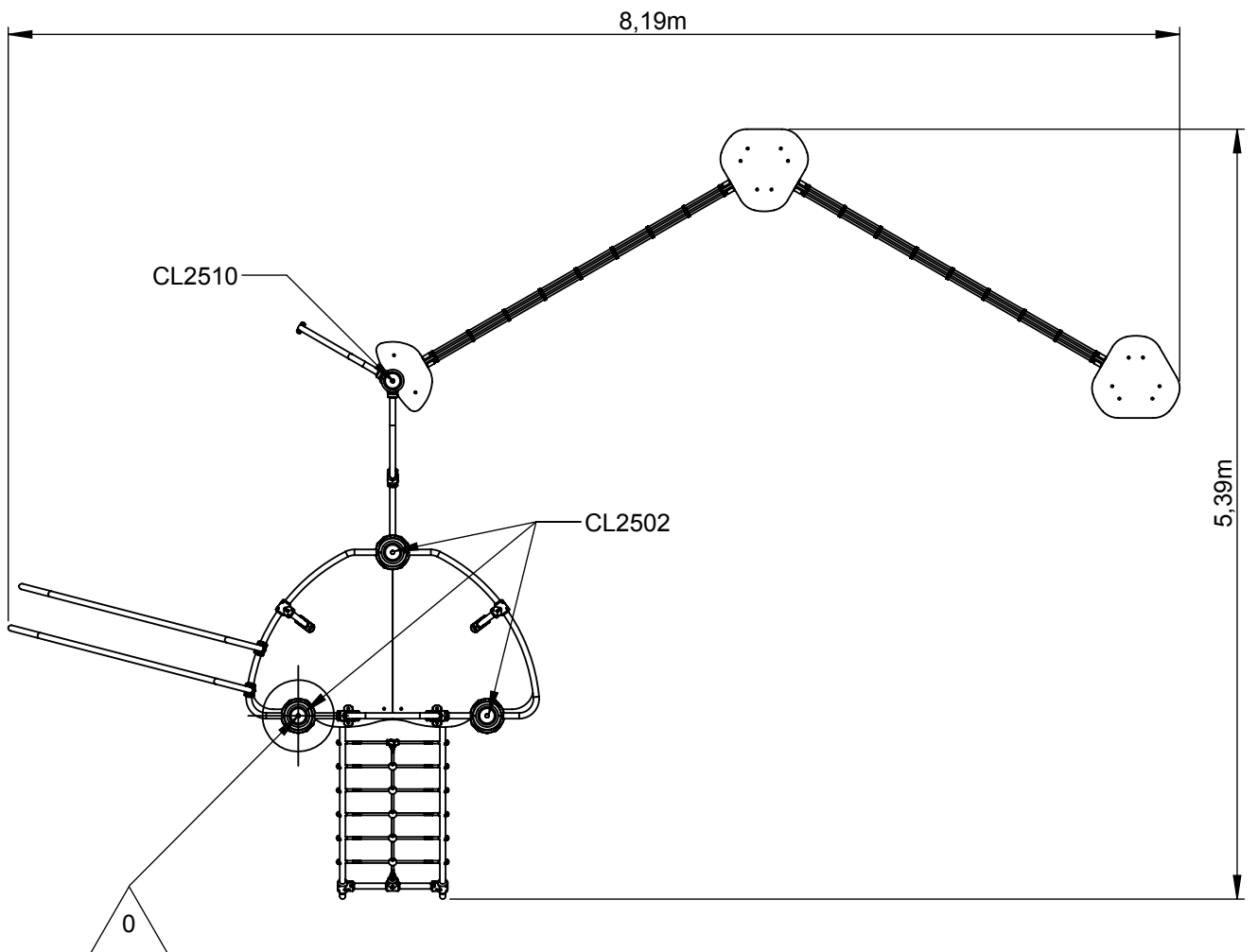
— Dalle béton  
 Concrete pad  
 Solera de hormigon  
 Beton bodenplatte  
 Betonnen bodemplaat

36 m  
 70 m<sup>2</sup>

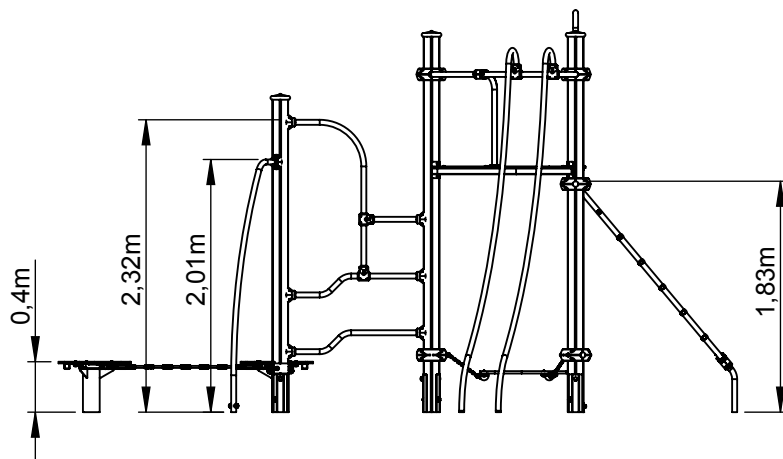
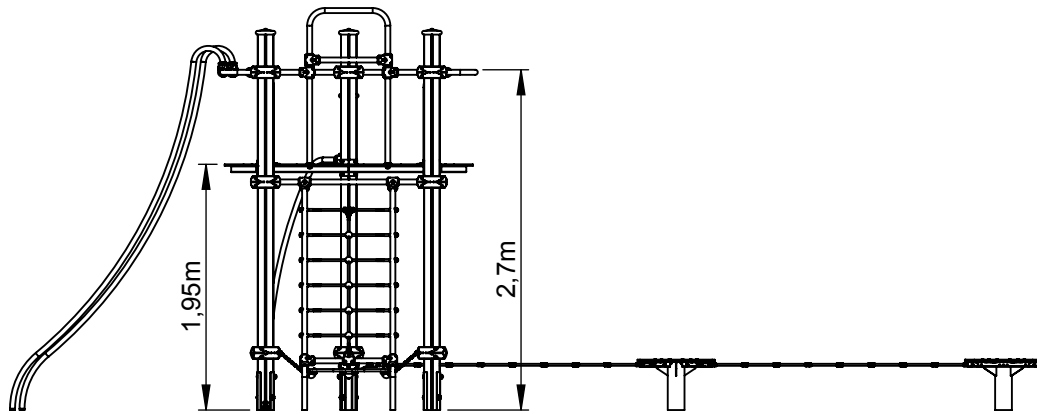


— Sol fluent  
 Loos partucule material 42 m  
 Arenero  
 Loses Bodenmaterial 88 m<sup>2</sup>  
 Los bodemateriaal

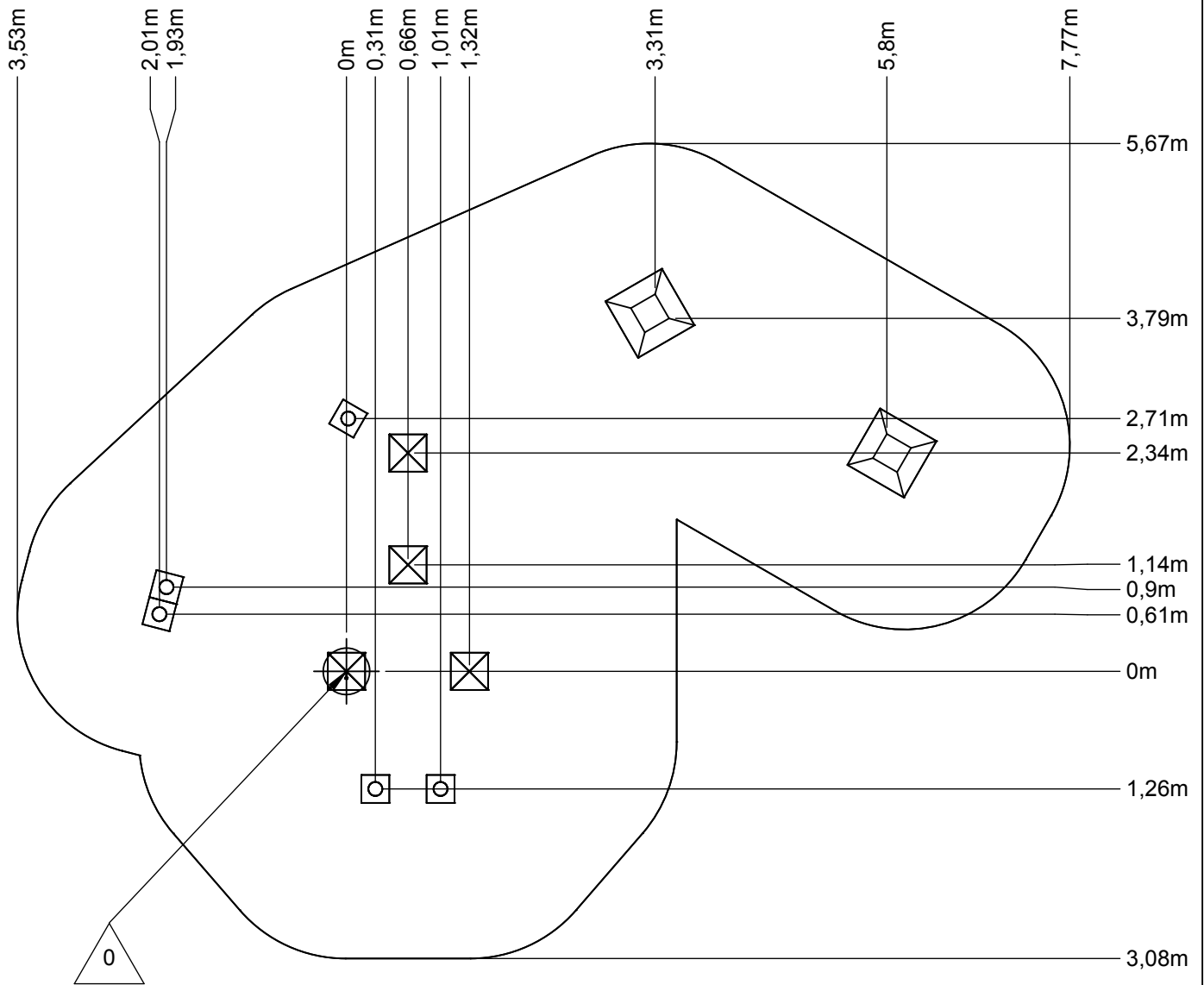







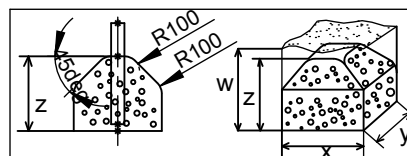







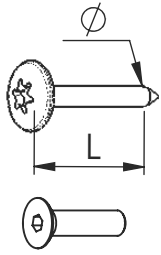
Implantation  
 Footing plan  
 Implantación  
 Fundamentplan  
 Funderingstekening



 x2  
 7H  
 1 m<sup>3</sup>

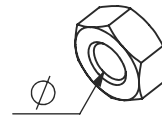


	x	y	z	w
	0.3	0.3	0.3	0.6
	0.4	0.4	0.3	0.7
	0.7	0.7	0.5	0.7

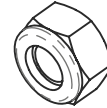


VBT 6 x 30  
 $\varnothing$   $\uparrow$  L (mm)

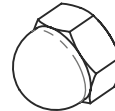
VFHC



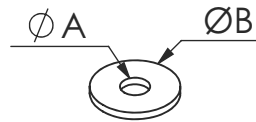
VEC M10  
 $\varnothing$



VEF



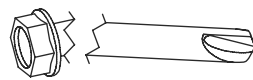
VEB



VR6x18  
 $\varnothing A$   $\varnothing B$



VTHA

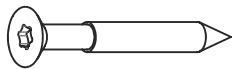


**1000 - 1800 tr/min**

**14 N.m**

Vitesse de rotation  
 Rotation speed

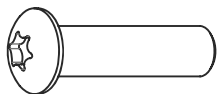
Couple de rupture  
 Torque of break



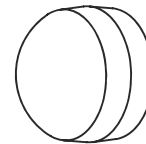
VWT



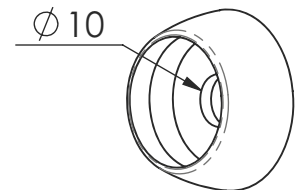
VGC



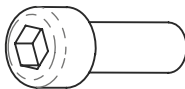
VCBHC



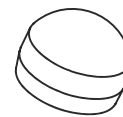
M10 440N



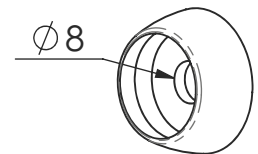
M10 310 N



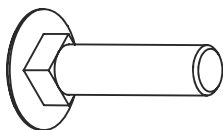
VBTR



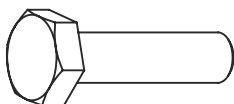
M8440N



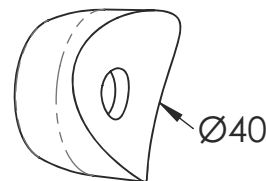
M8310N



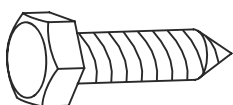
VTRCC



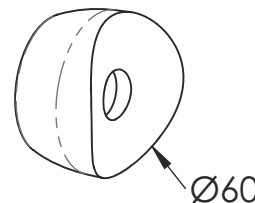
VTH



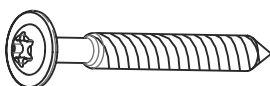
MI2503



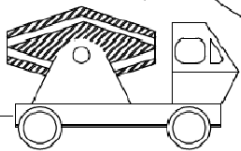
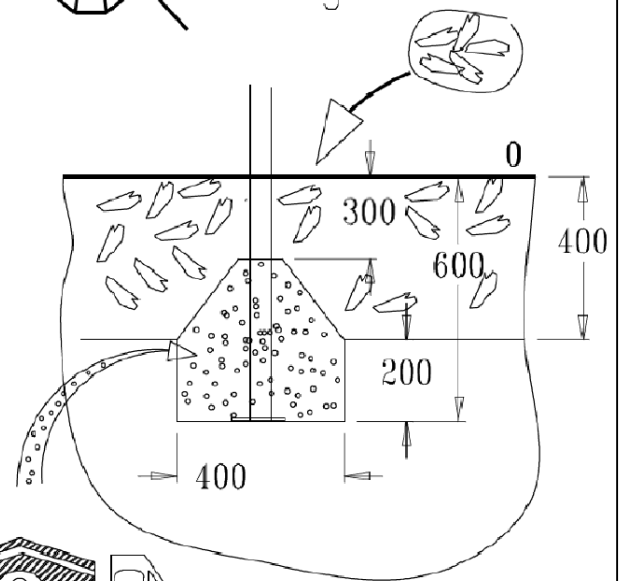
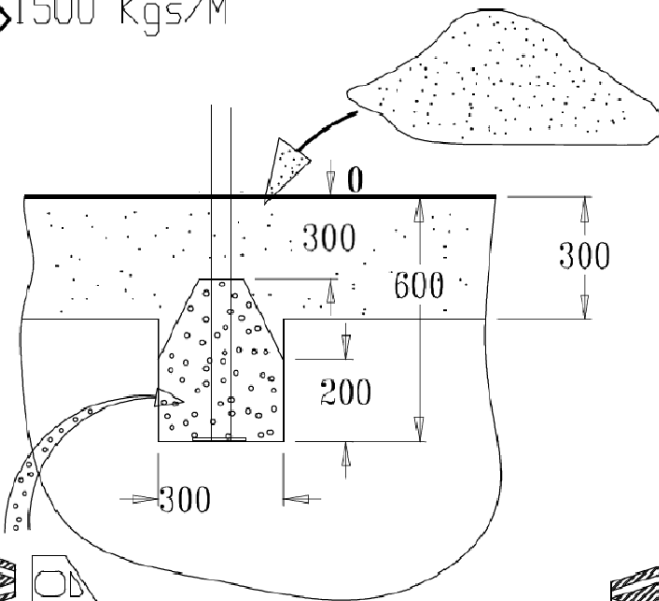
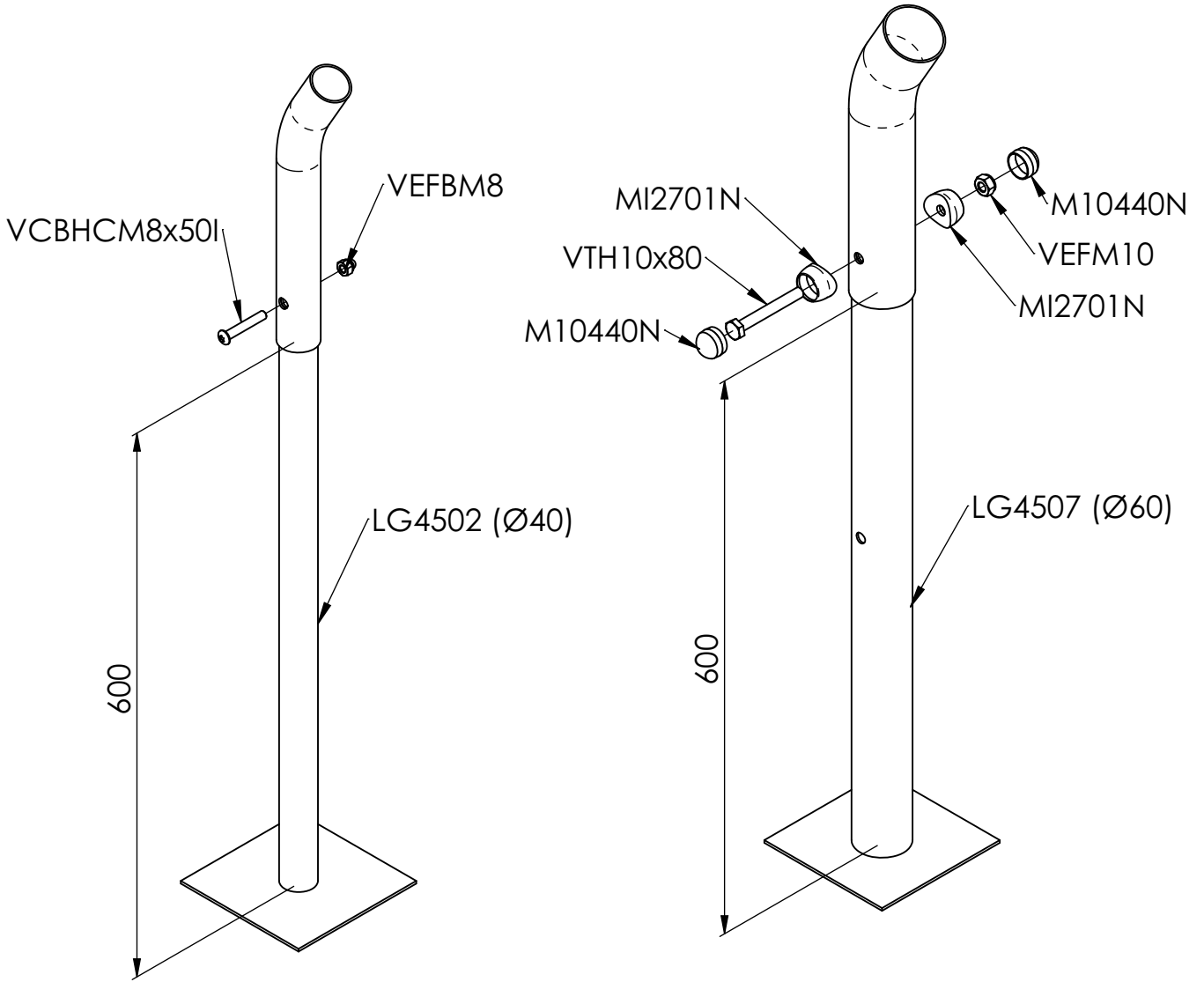
VTF



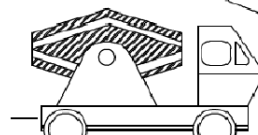
MI2701



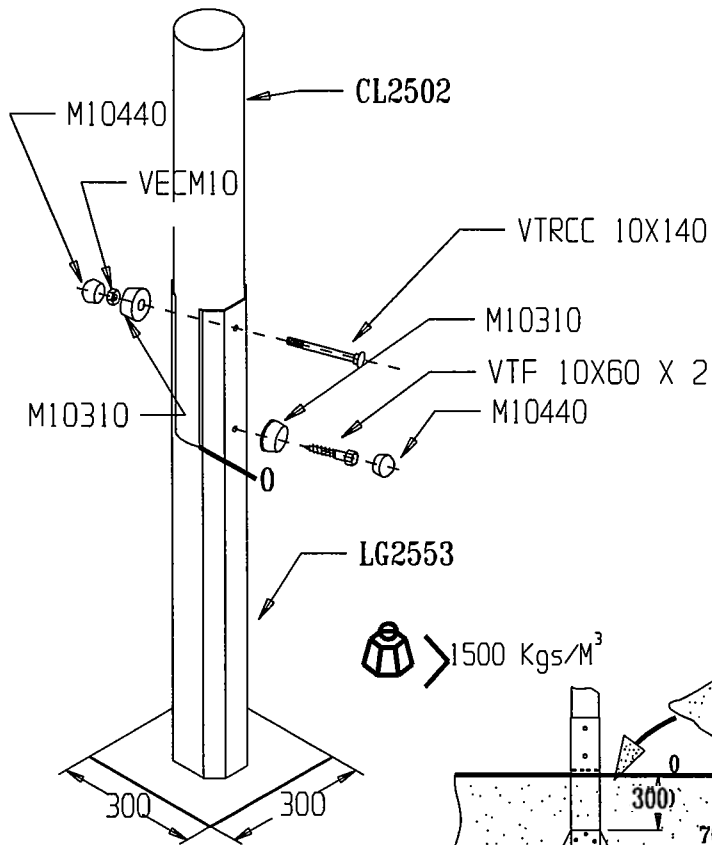
VBT



50 Kgs

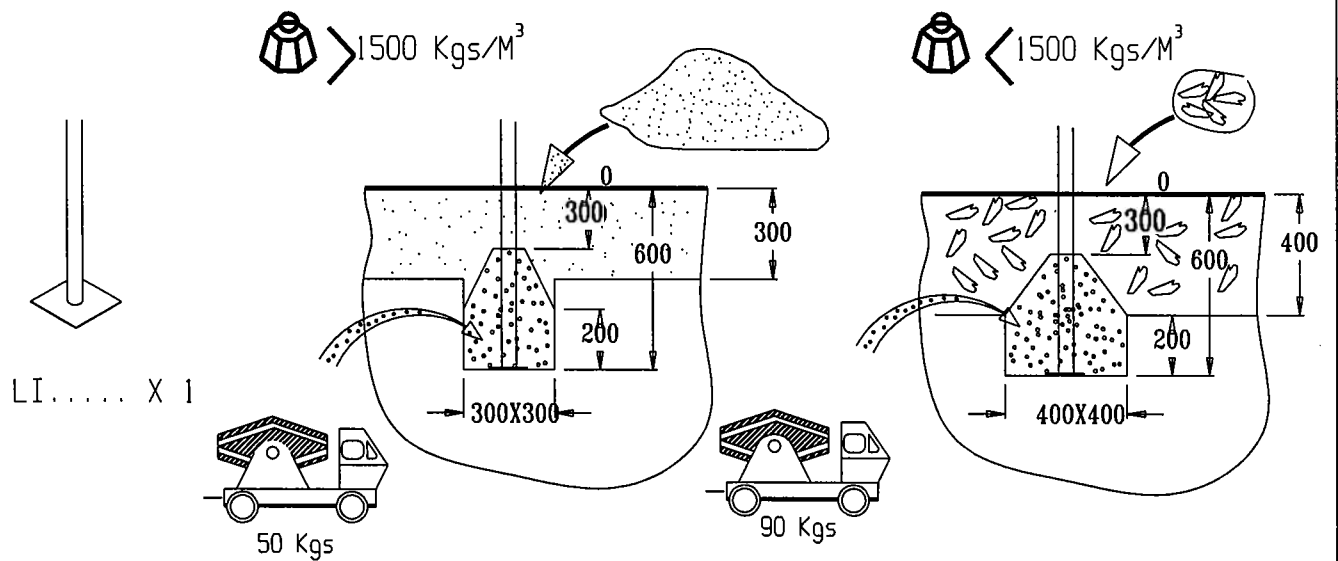
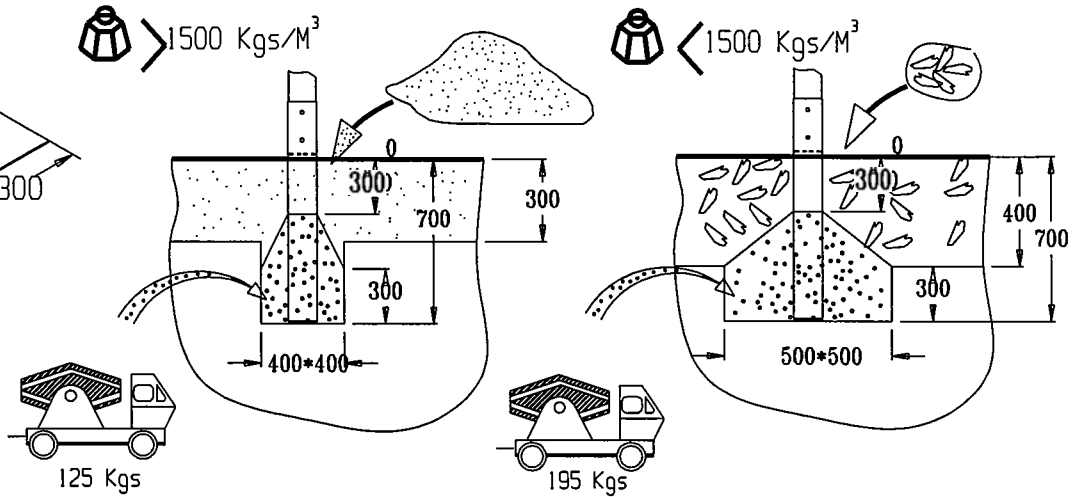


90 Kgs

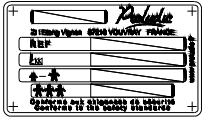


	VTRCC 10x140	1
	VECM10	1
	VTF 10x60	2
	M10310	3
	M10440	3

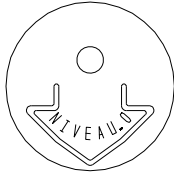
LG2553 X 1



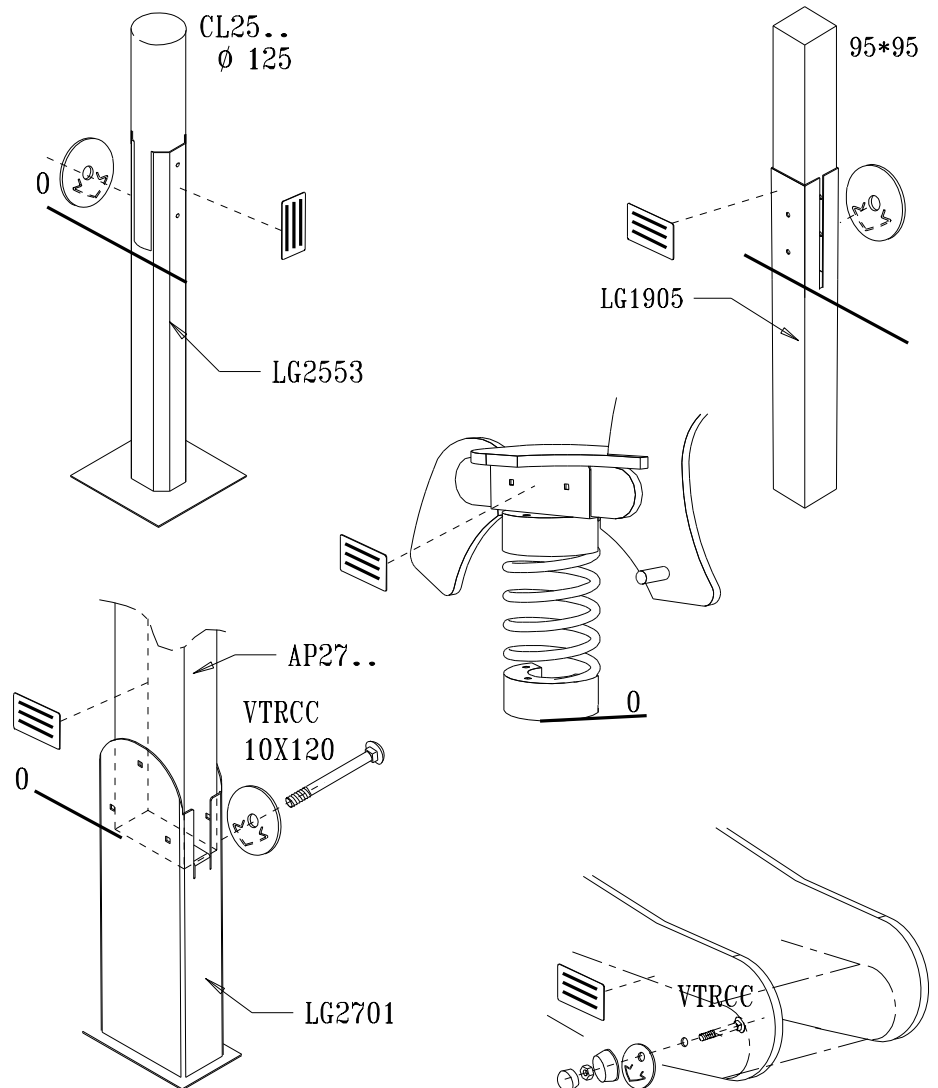
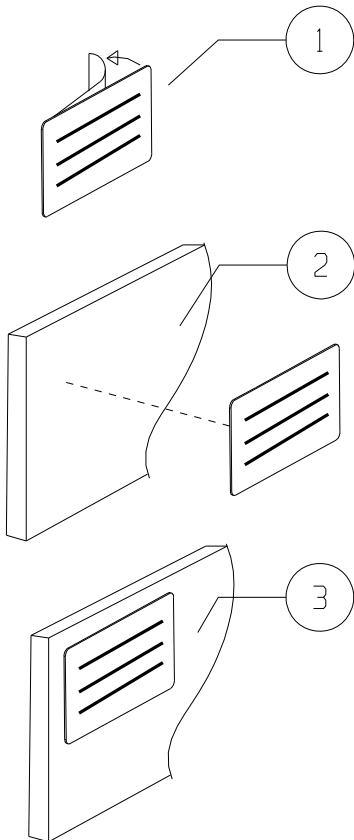
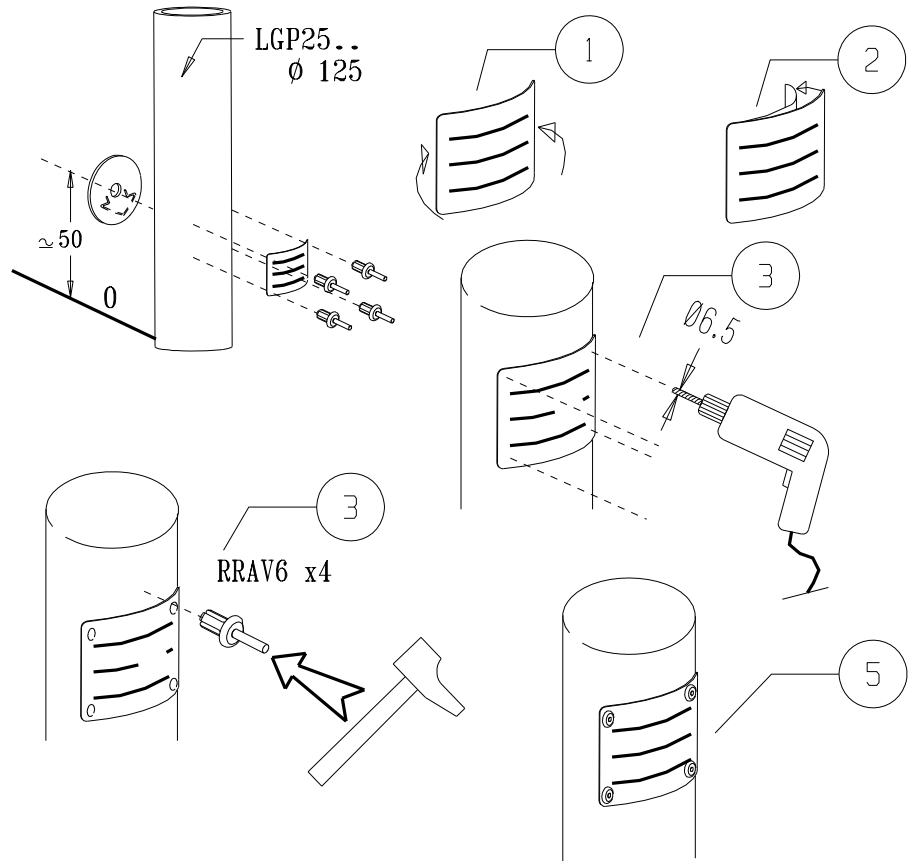
LI..... X 1

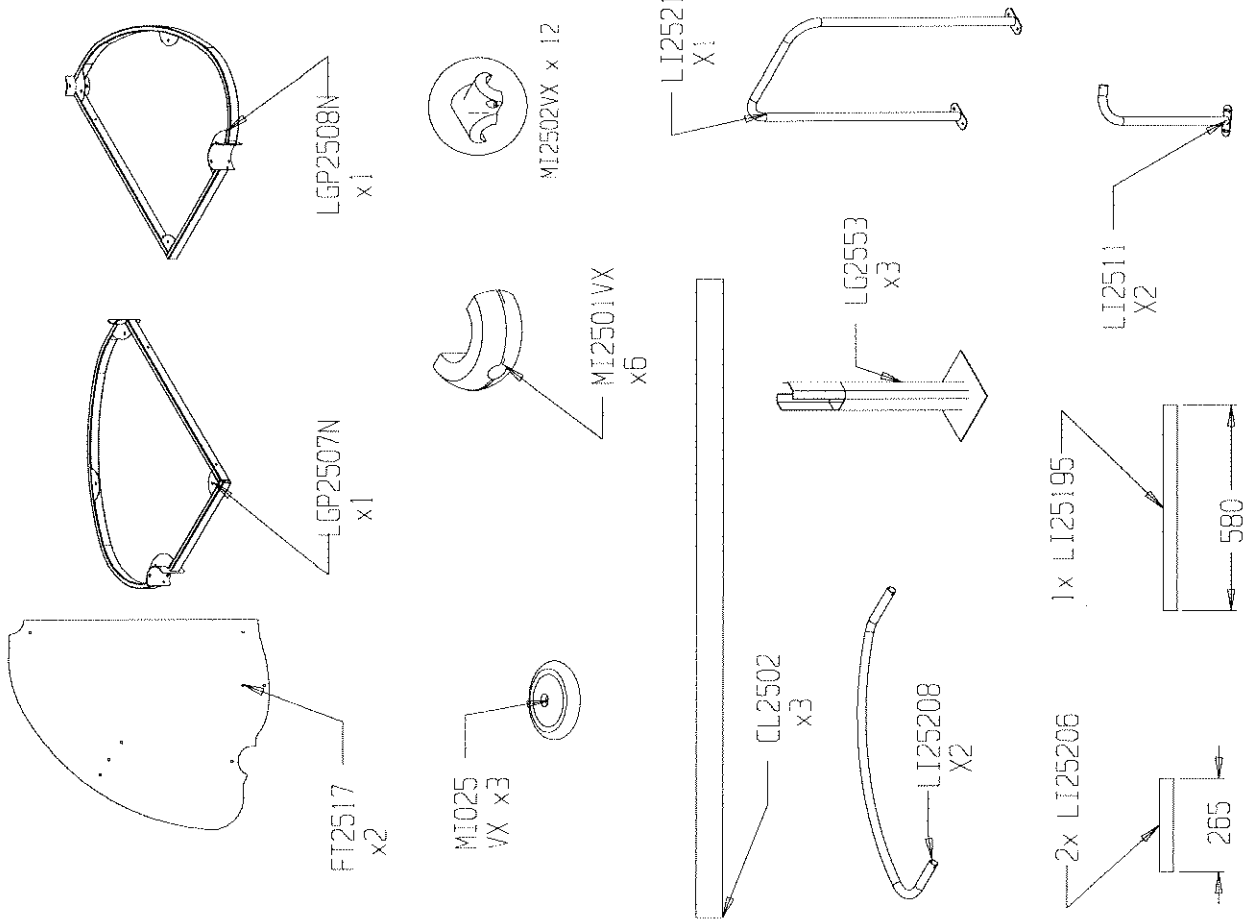
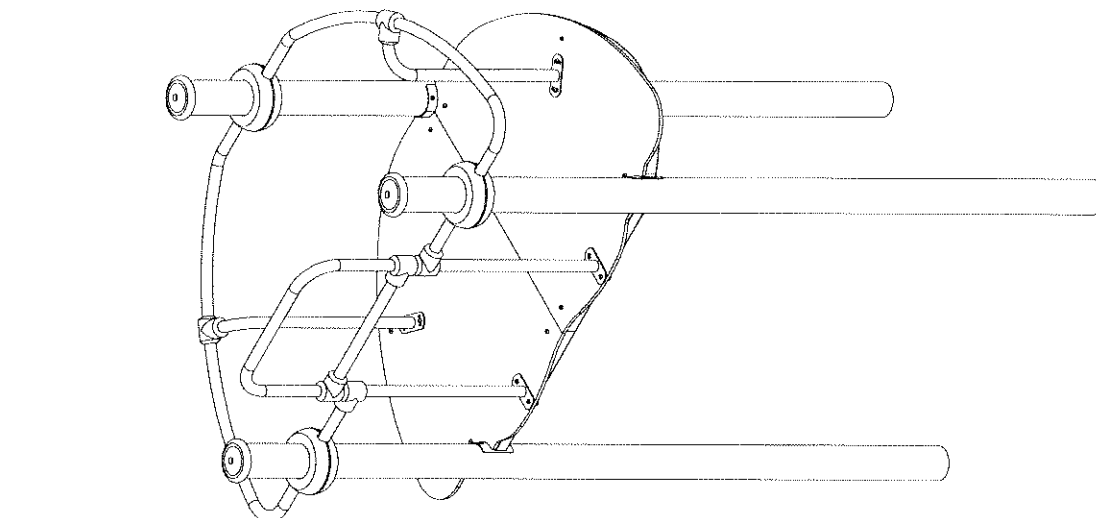


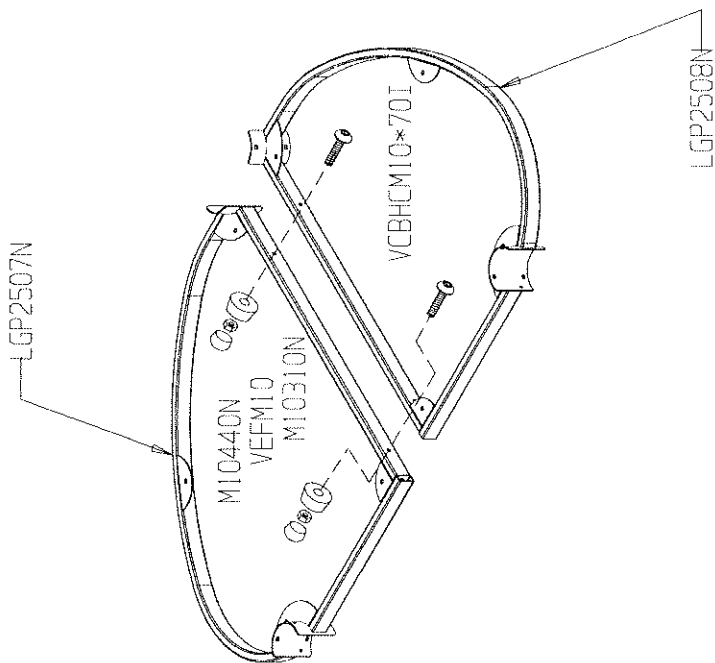
LA000




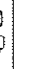


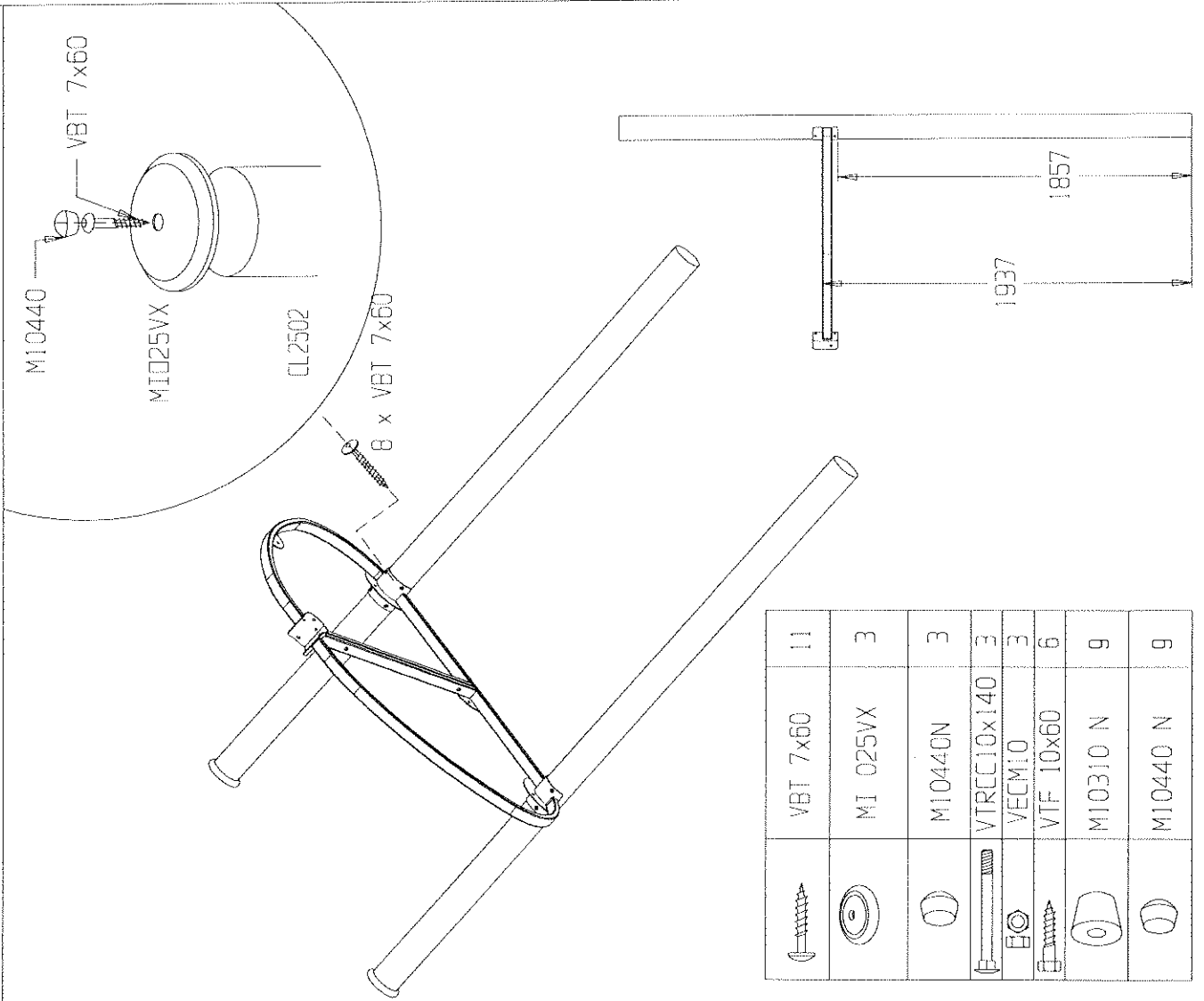
MI0002













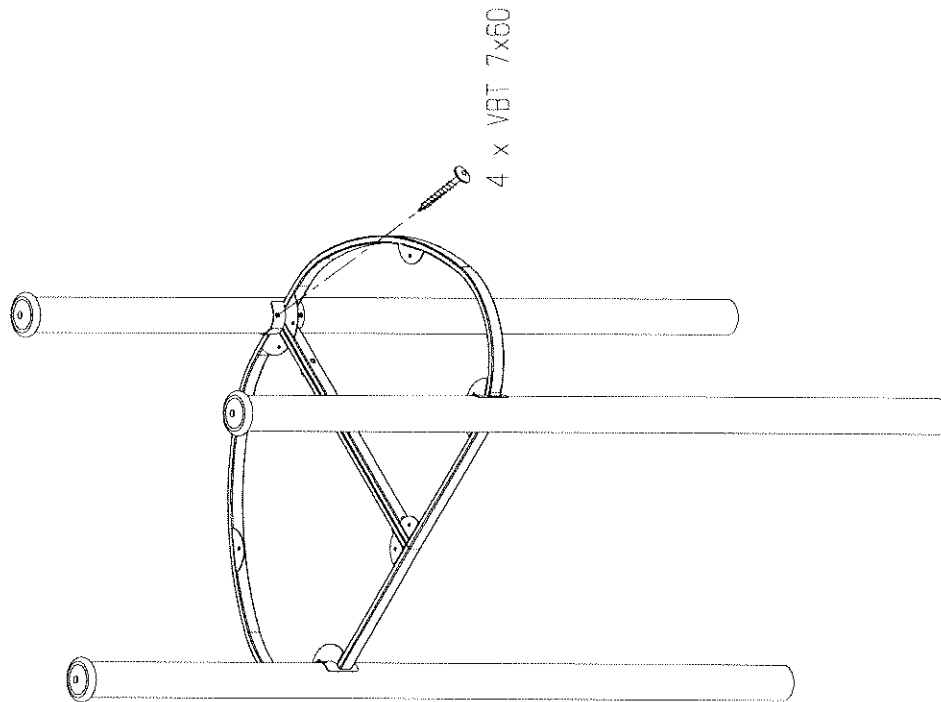


	M10310N	2
	M10440N	2
	VCBHCMI0*70I	2
	VEFM10	2

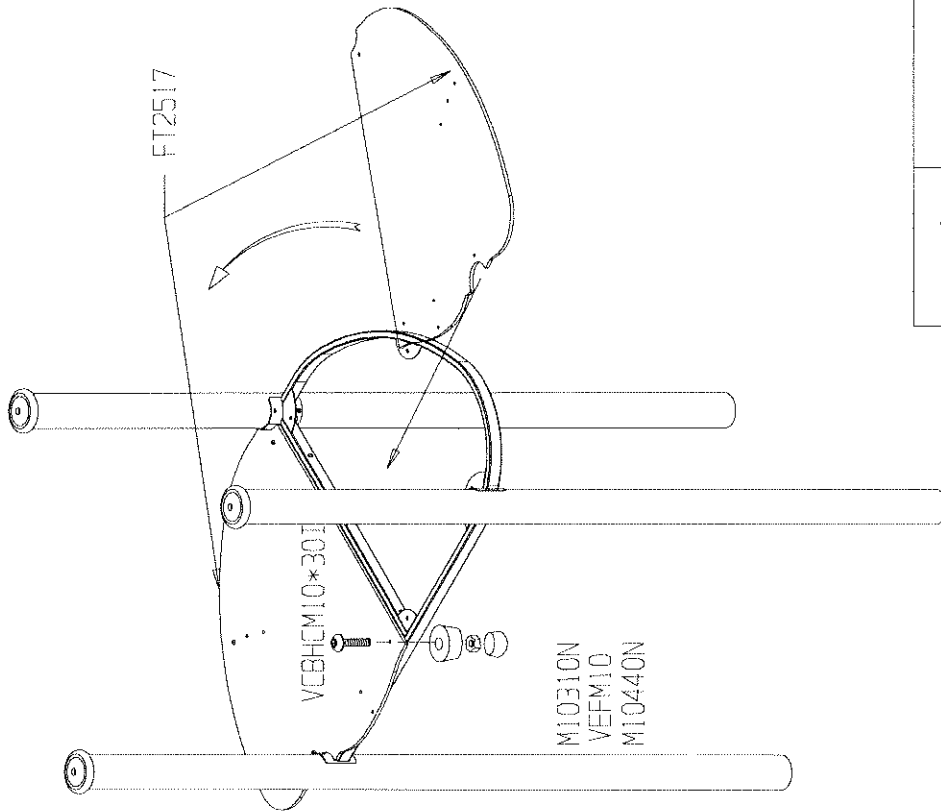


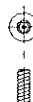



	VBT 7x60	11
	MI 025VX	3
	M10440N	3
	VTRECC10x140	3
	VECM10	3
	VTF 10x60	6
	M10310 N	9
	M10440 N	9

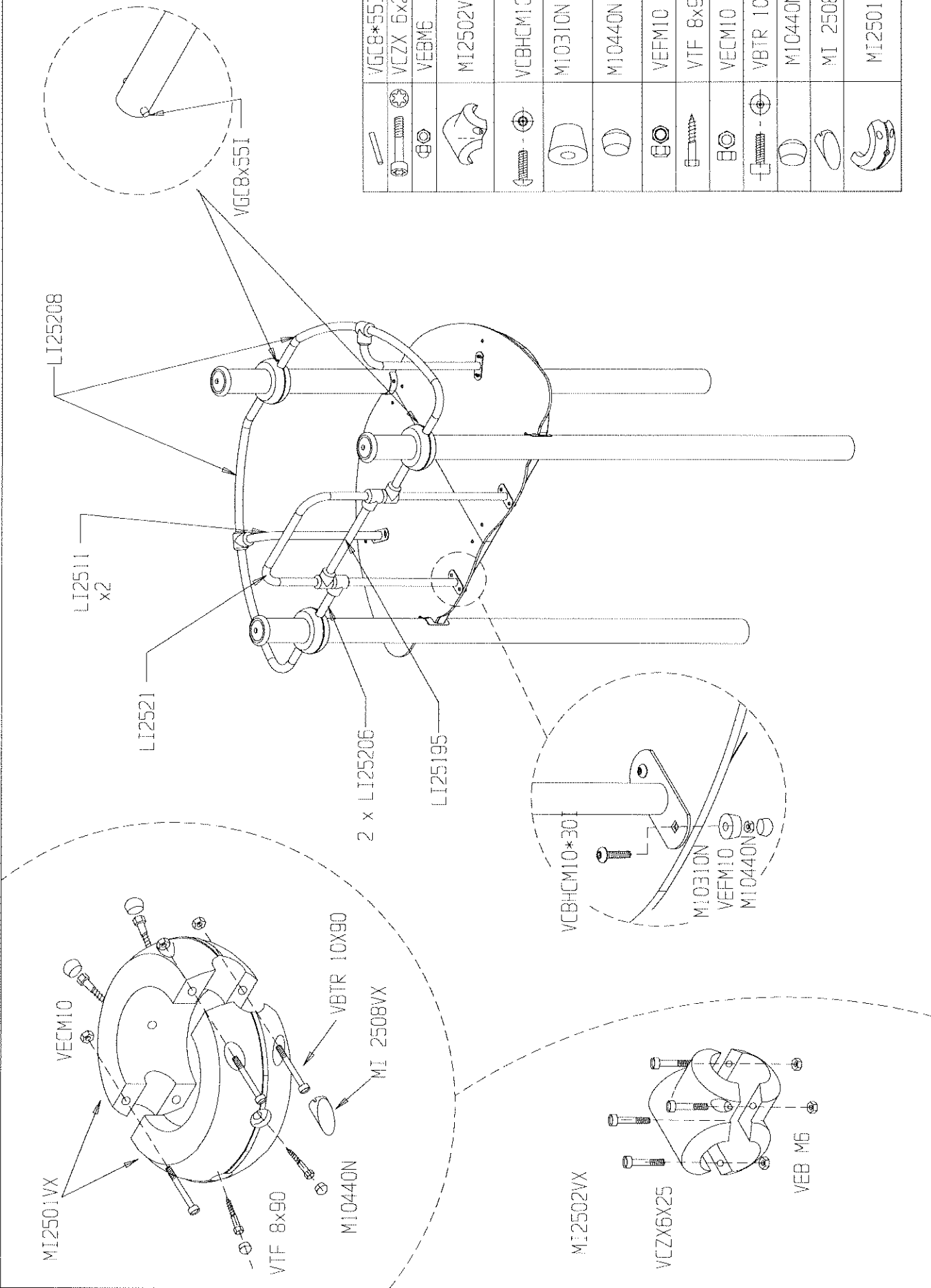




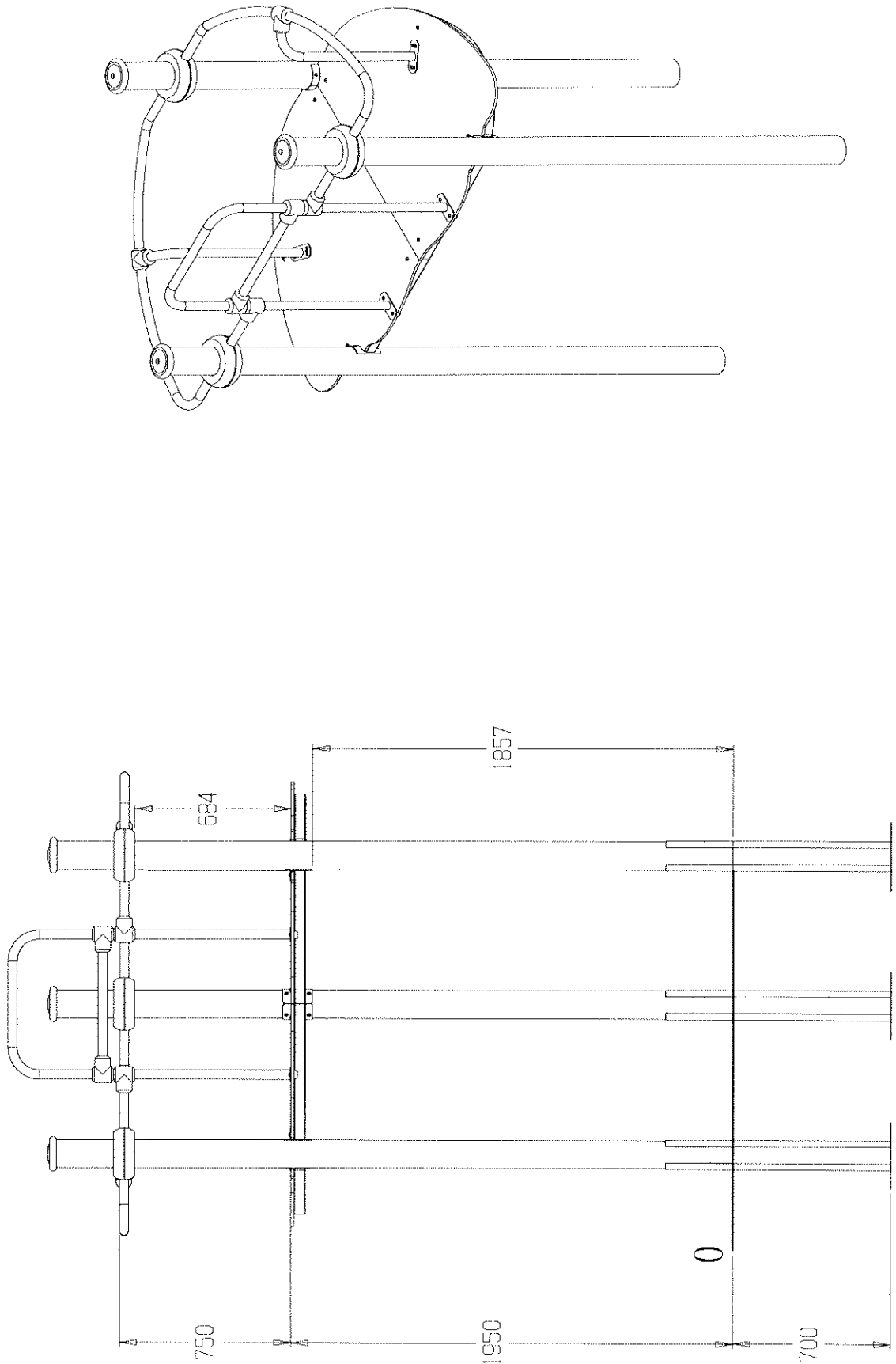
	VBT 7x60	4
---	----------	---

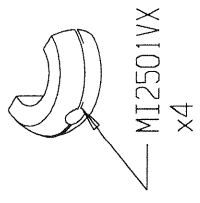
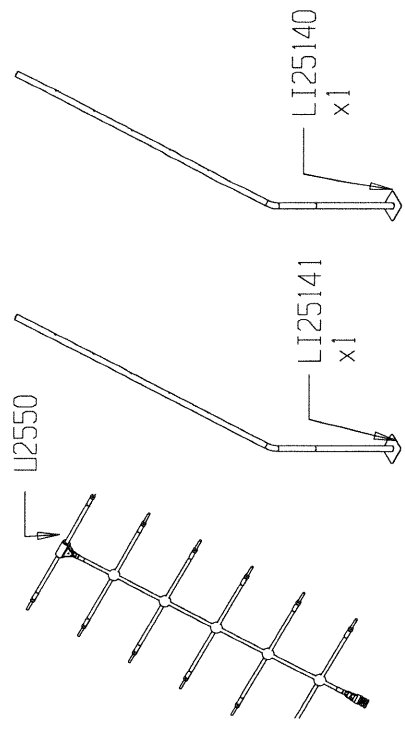
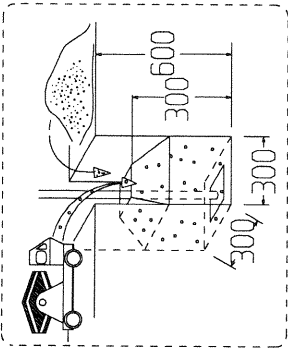
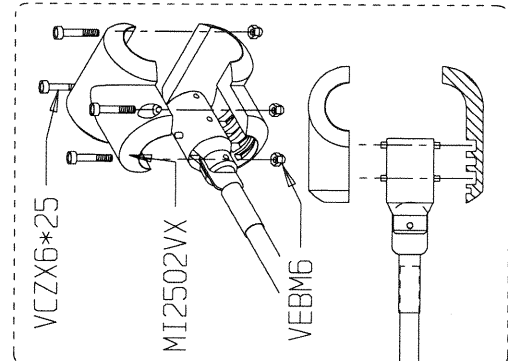
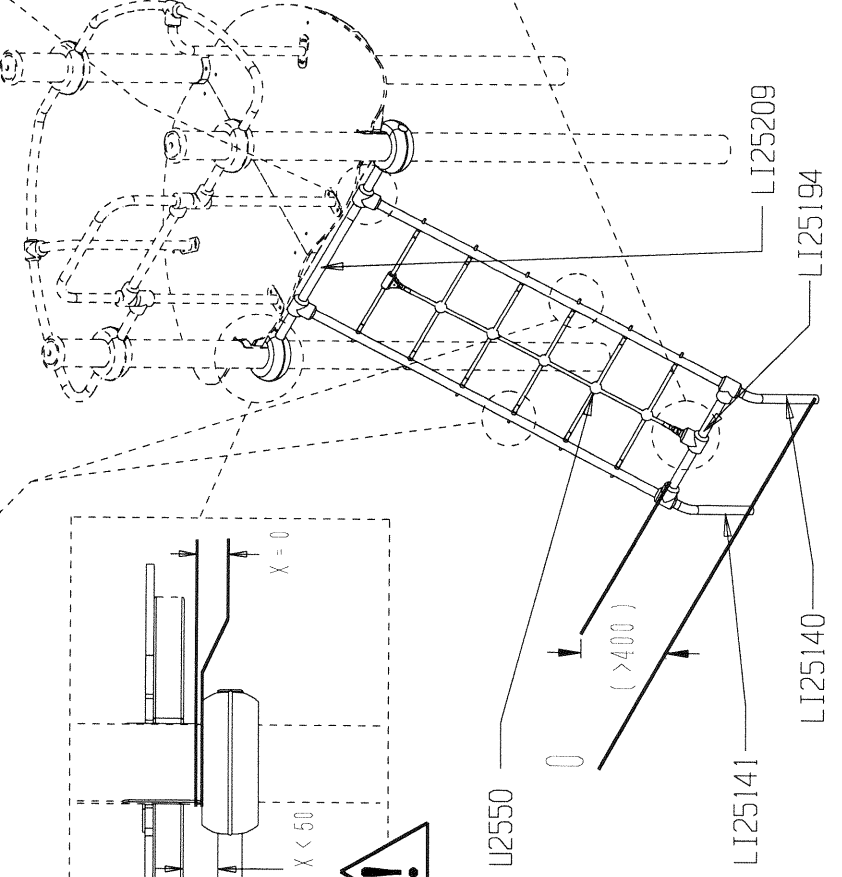
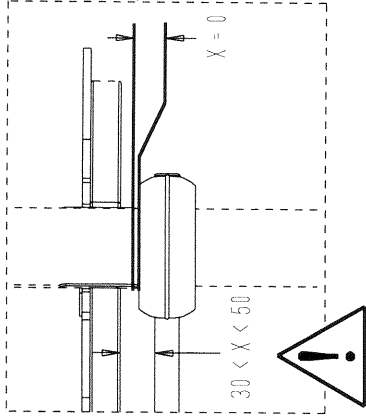
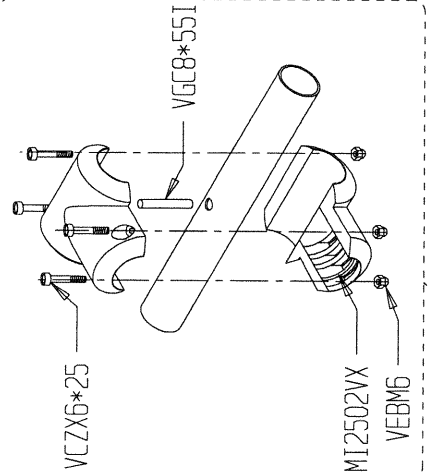
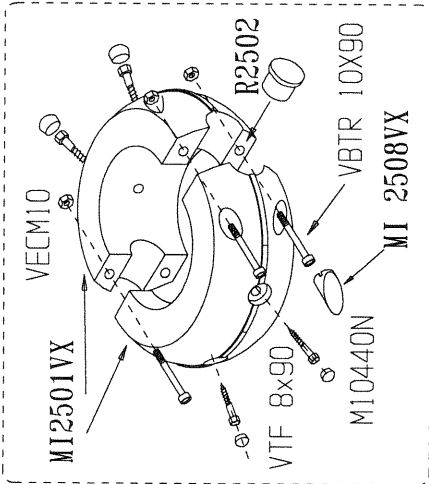
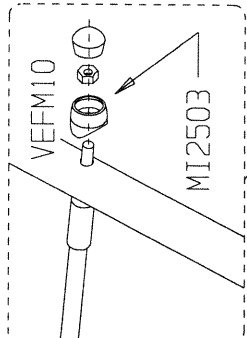


	VCBHC10*301	8
	M10310N	8
	M10440N	8
	VEFM10	8

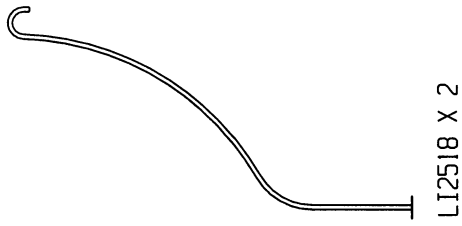
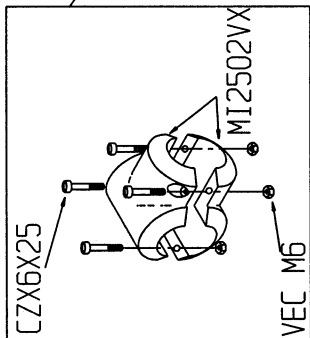


	VGC8*55I	4
	VCZX 6x25	24
	VEB M6	24
	MI2502VX	12
	VCBHCMI0*30I	10
	M10310N	10
	M10440N	10
	VEFM10	10
	VTF 8x90	12
	VECM10	12
	VBTR 10x90	12
	M10440N	12
	MI 2508VX	24
	MI2501VX	6

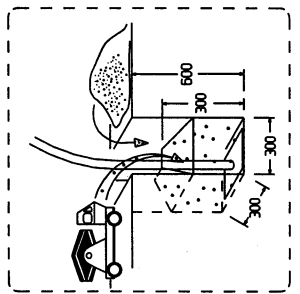
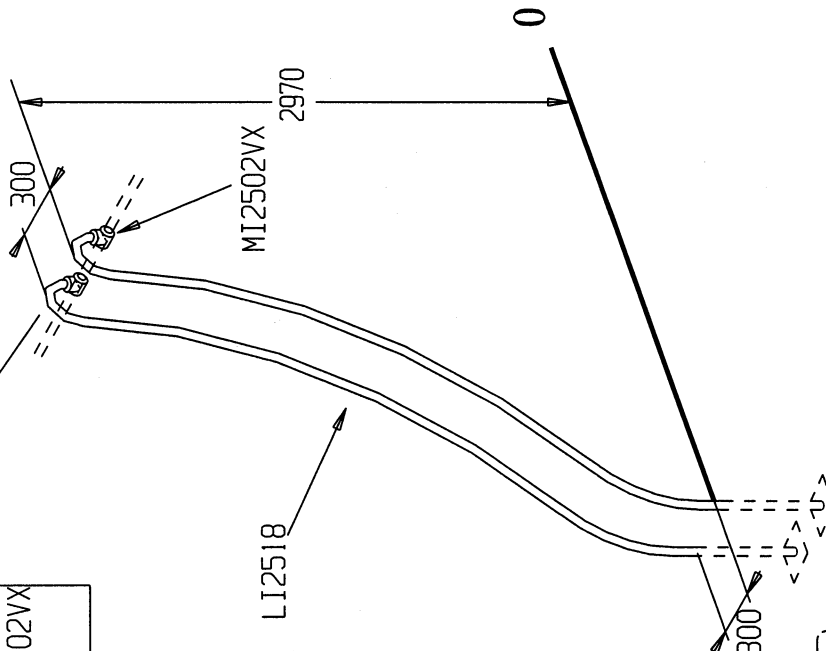




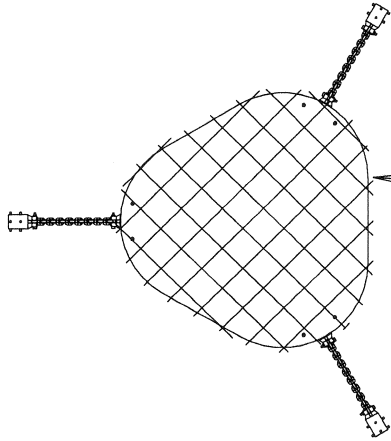
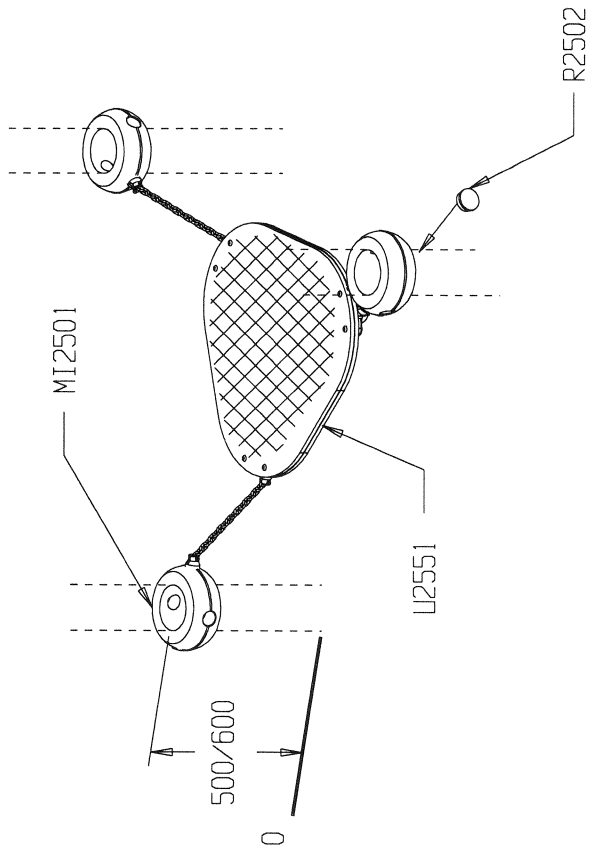
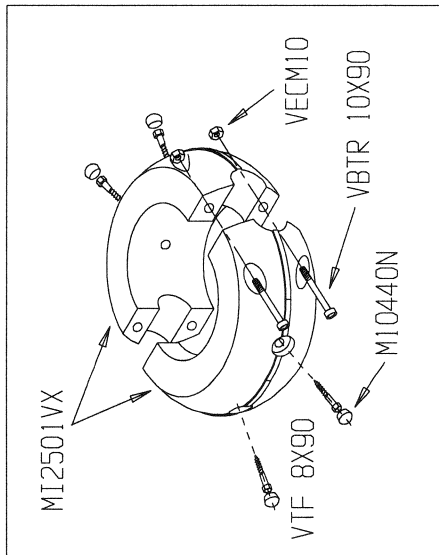
	R 2502	2
	VTF 8x90	8
	VECM10	8
	VBTR 10x90	8
	M10440N	8
	MI 2508VX	16
	VGC8*55I	2
	VCZX 6x25	20
	VEBM6	20
	M10440N	12
	MI2503N	12
	VEFM10	12



MI2502VX X 4

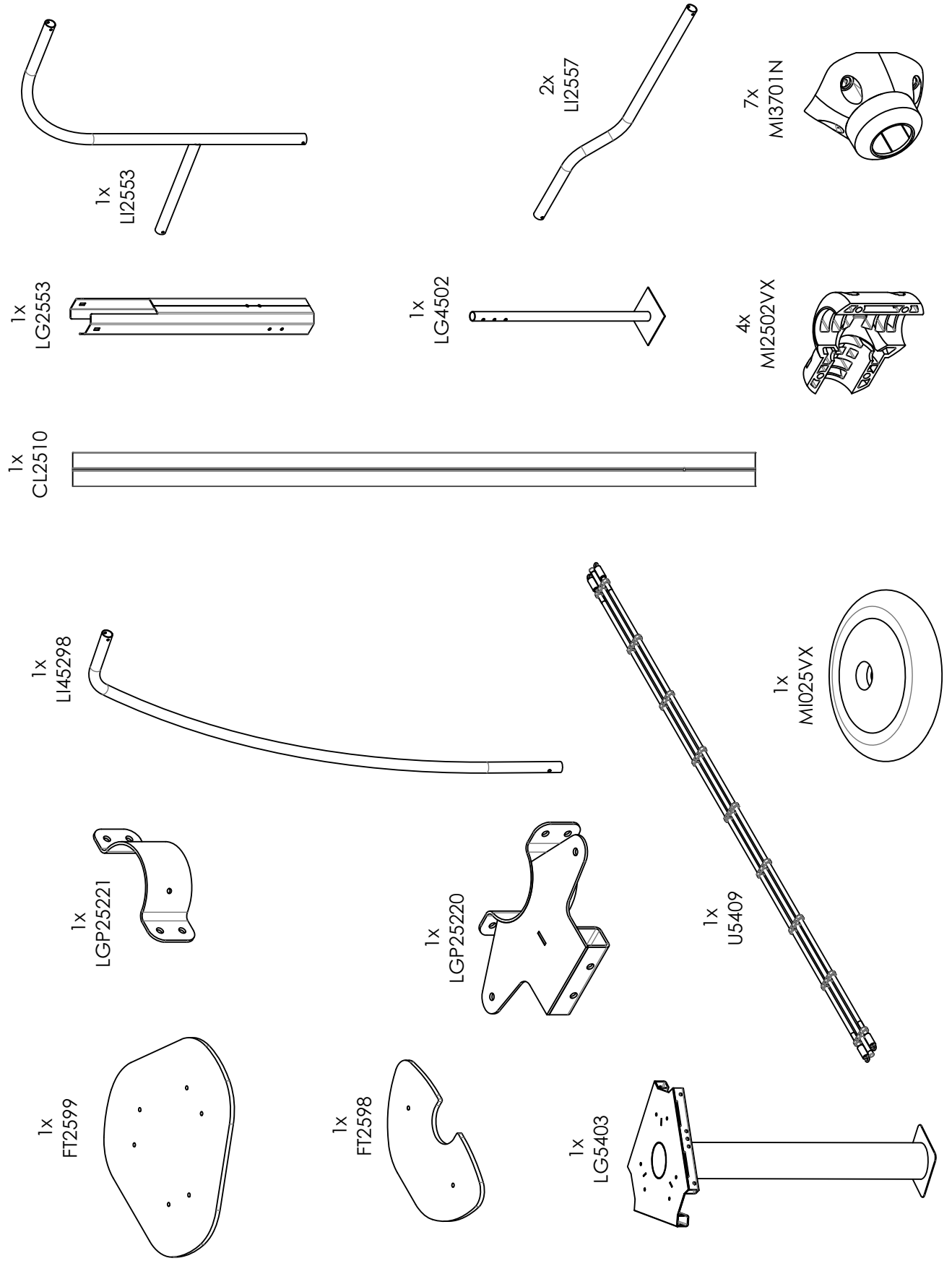


⊕	VEC M6	8
⊕	VCZX 6x25	8

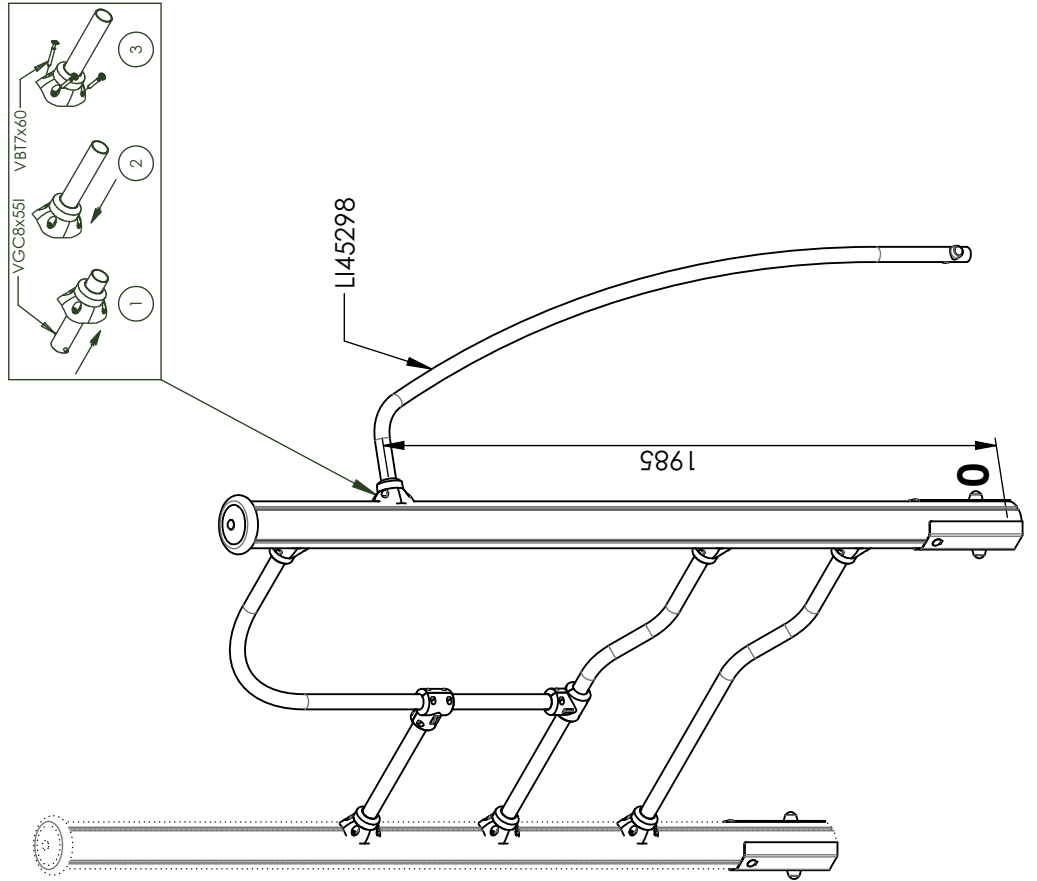
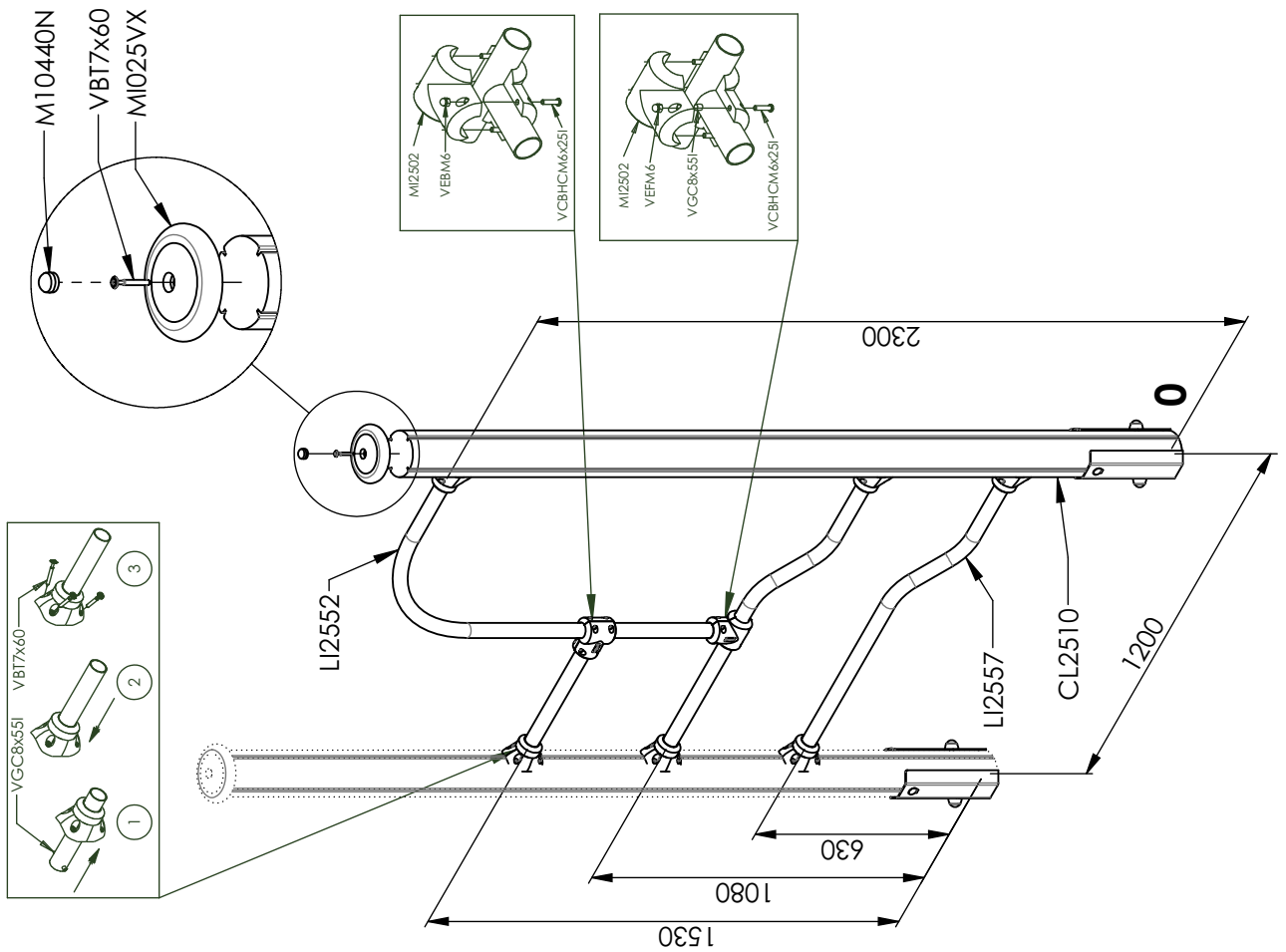


MI2501VX X 6

	VTF 8X90	12
	VEC M10	12
	VBTR 10x90	12
	M10440N	12
	MI 2508VX	24
	R 2502	3

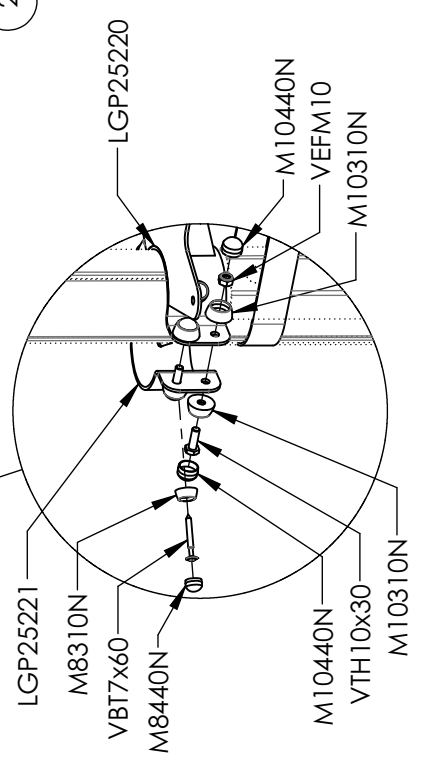
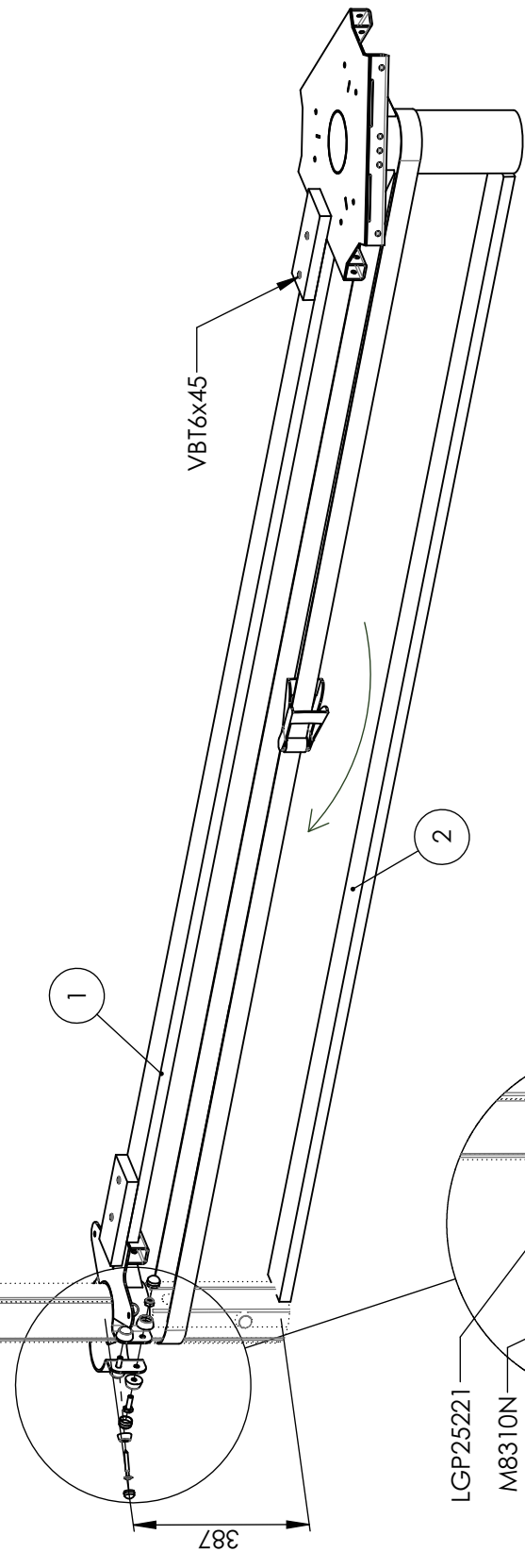
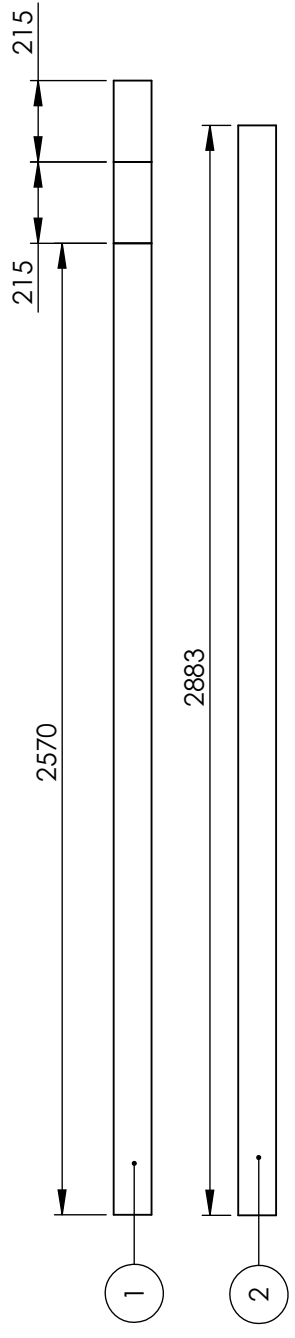


CL2510	1
FT2598	1
FT2599	1
LG2553	1
LG4502	1
LG5403	1
LGP25220	1
LGP25221	1
LI035	4
LI2553	1
LI2557	2
LI45298	1
M11	13
M4040	8
M8310N	4
M8440N	4
M10310N	23
M10440N	22
MI025VX	1
MI32N	4
MI2502VX	4
MI2503N	2
MI3701N	7
U5409	1
VBT7x60	33
VCBHCM6x25I	8
VCBHCM10x30I	8
VEBM6	8
VEFM10	18
VGC8x55I	8
VTF10x60	2
VTH10x30	4
VTH10x60	1
VTRCC10x140	1
VEFBM10	4





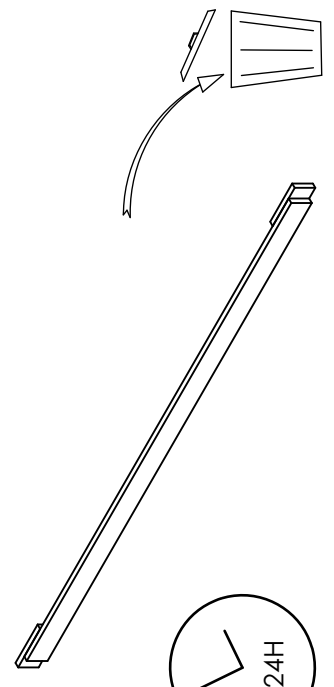
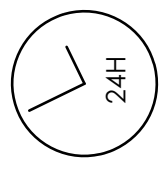
1

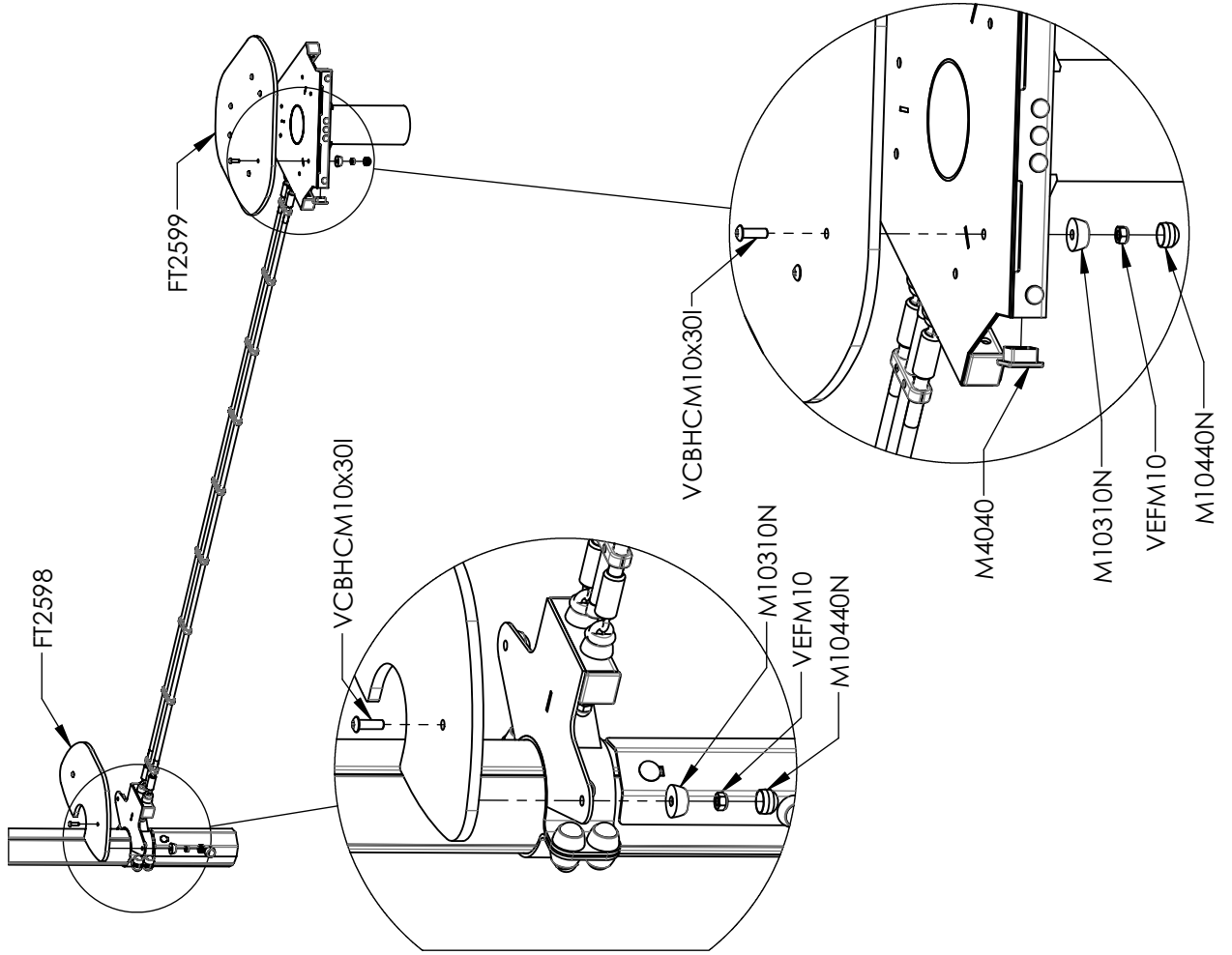
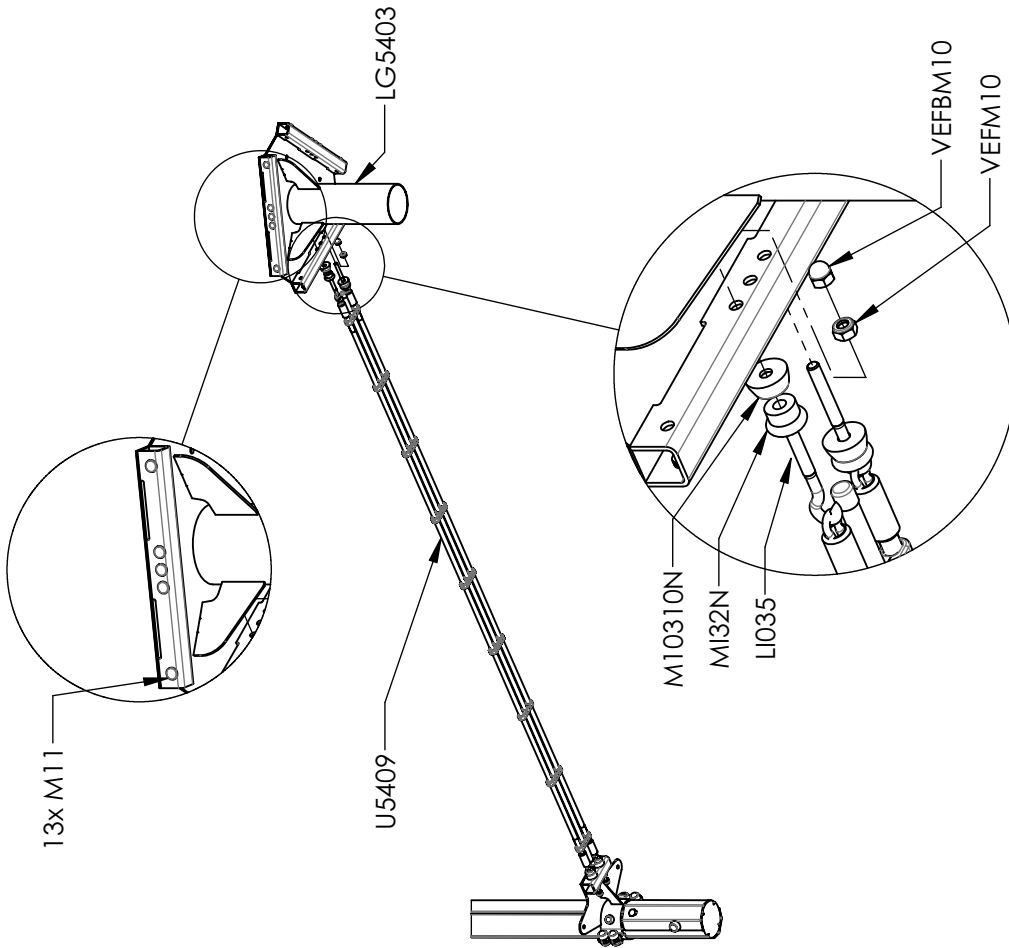


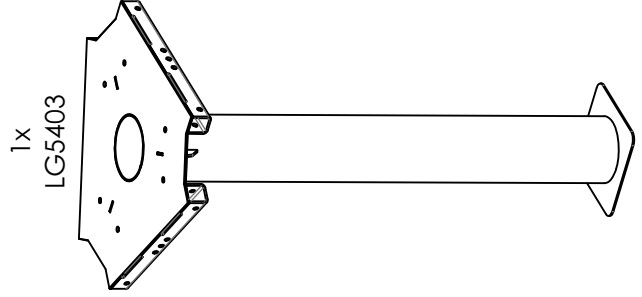
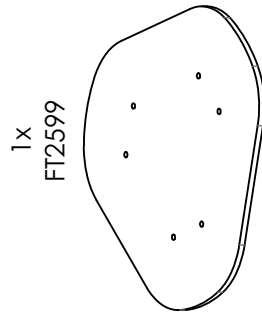
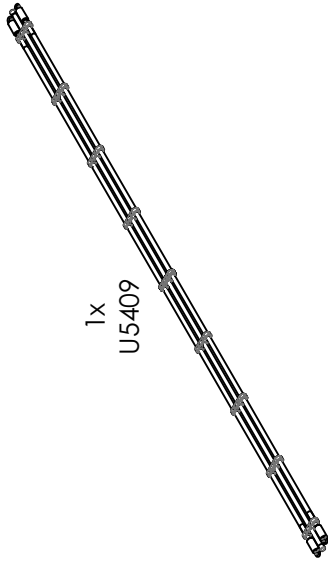
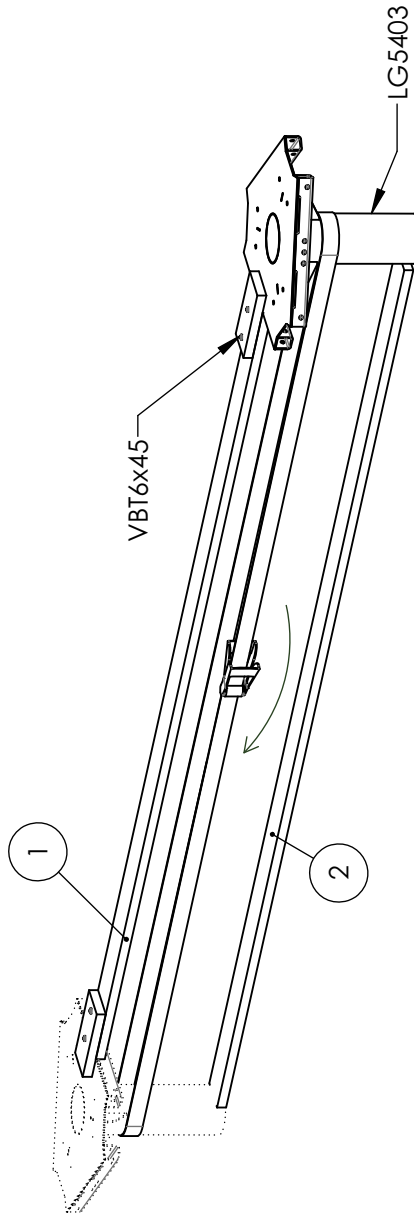
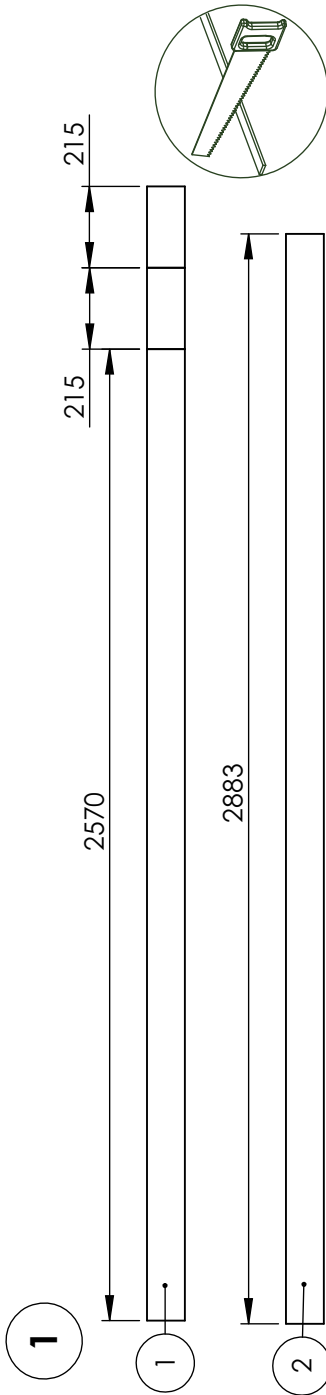
2



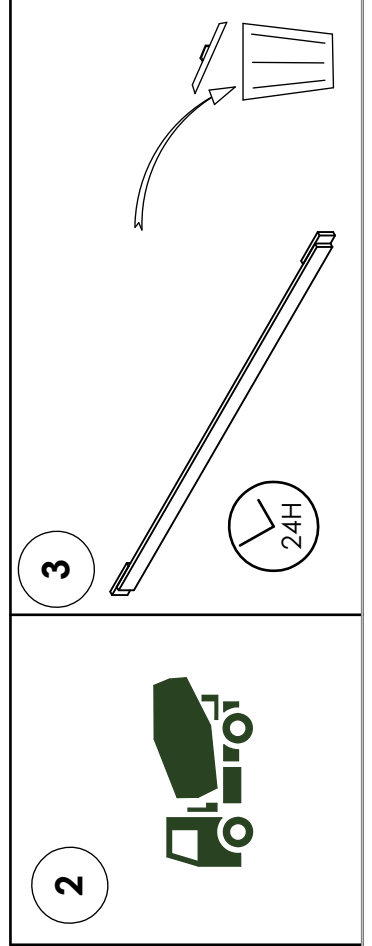
3

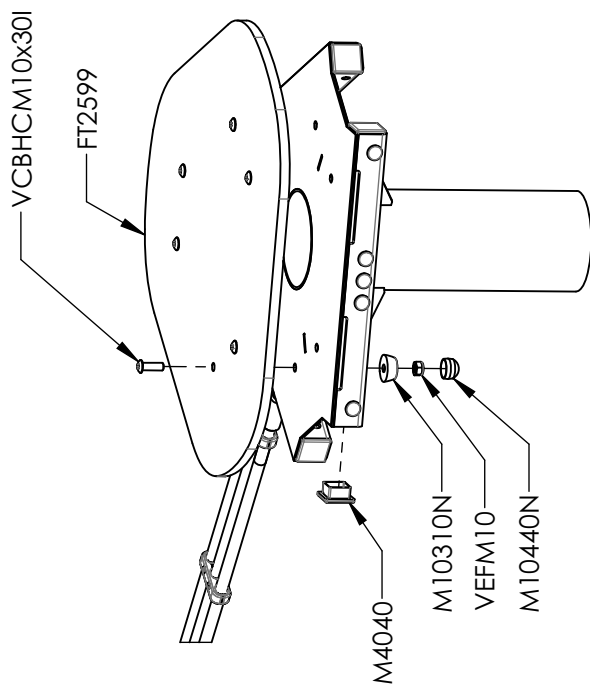
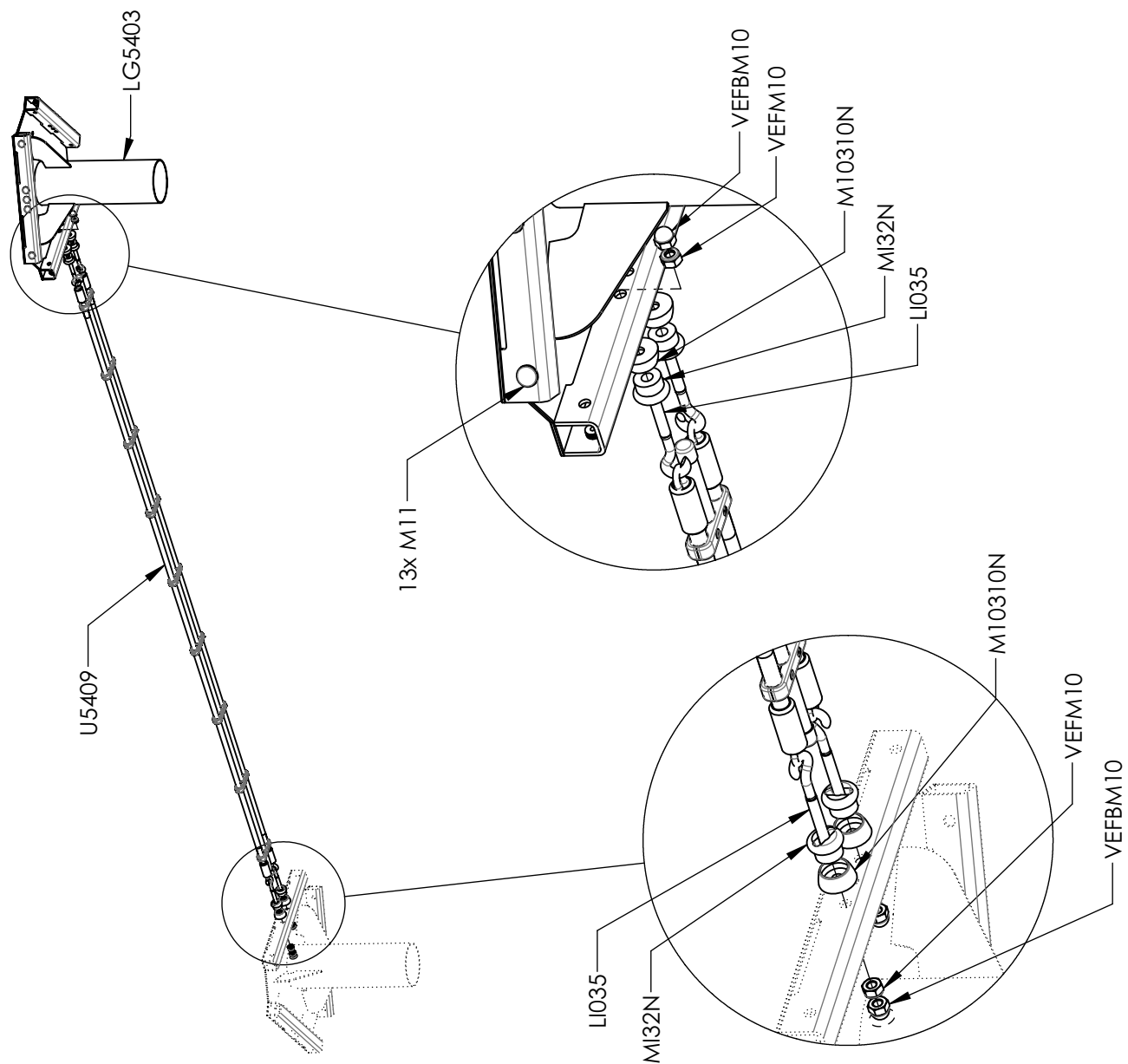


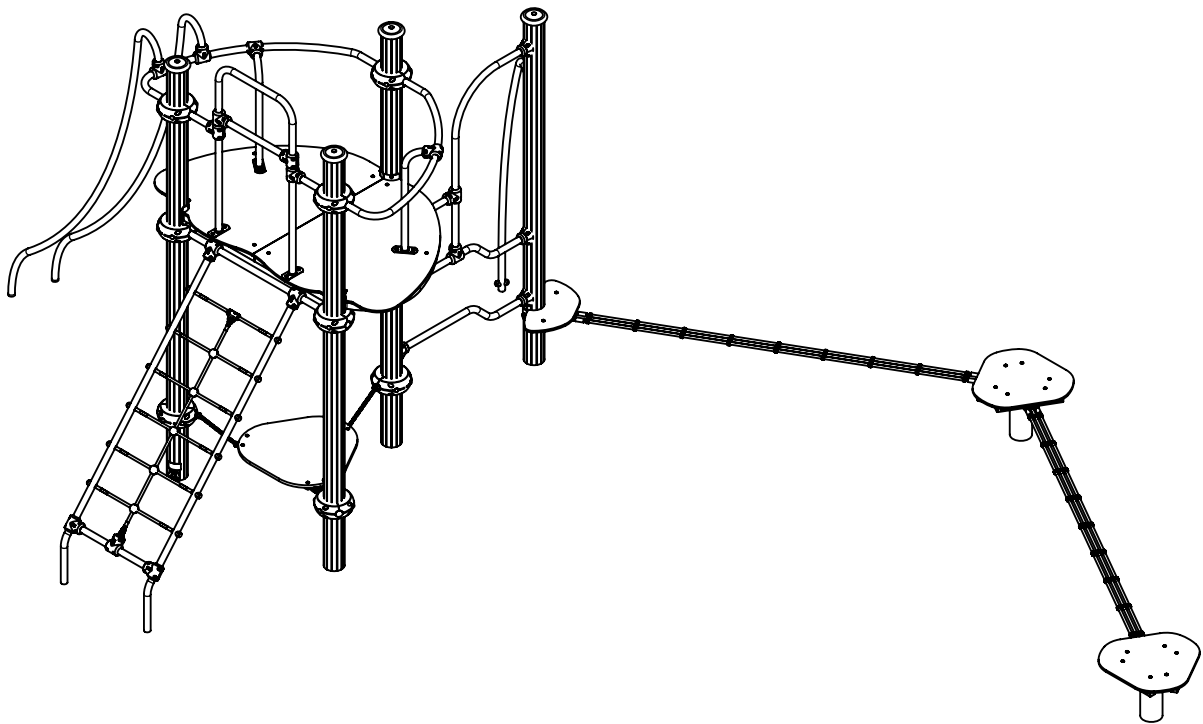




FT2599	1
LG5403	1
LI035	4
M11	13
M4040	6
M10310N	10
M10440N	6
M132N	4
U5409	1
VCBHC10x30I	6
VEFM10	10
VEFBM10	4









N°		
1	0.6 m	24.5 m <sup>2</sup>
2	1.55 m	2.5 m <sup>2</sup>
3	1.95 m	33 m <sup>2</sup>

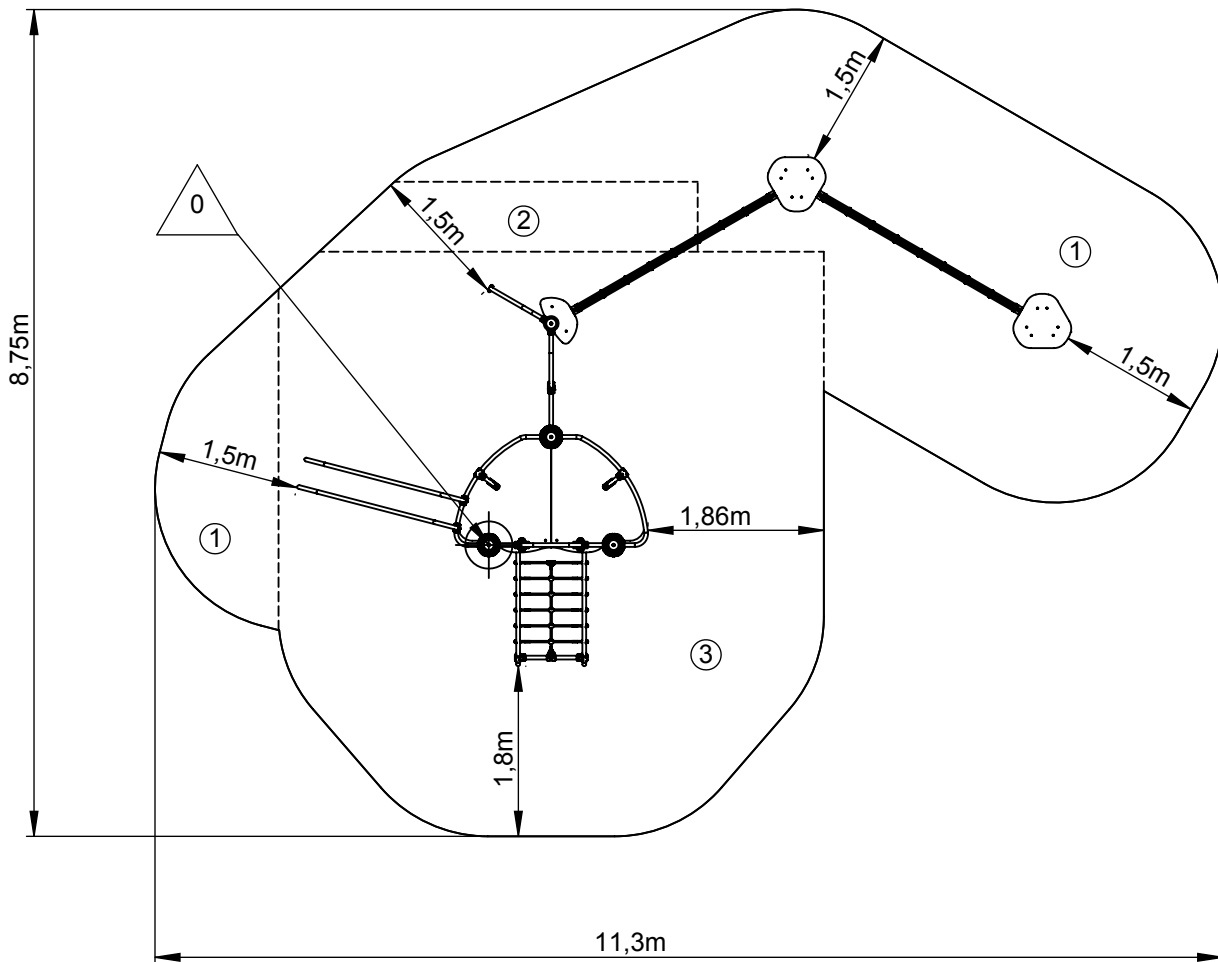
— Zone d'impact  
Impact area  
Area de impacto  
Fallraum  
Valzone

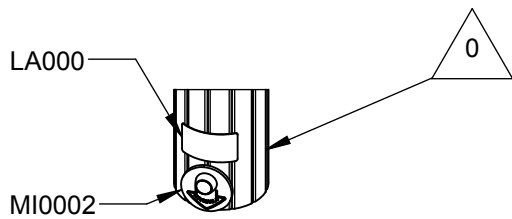
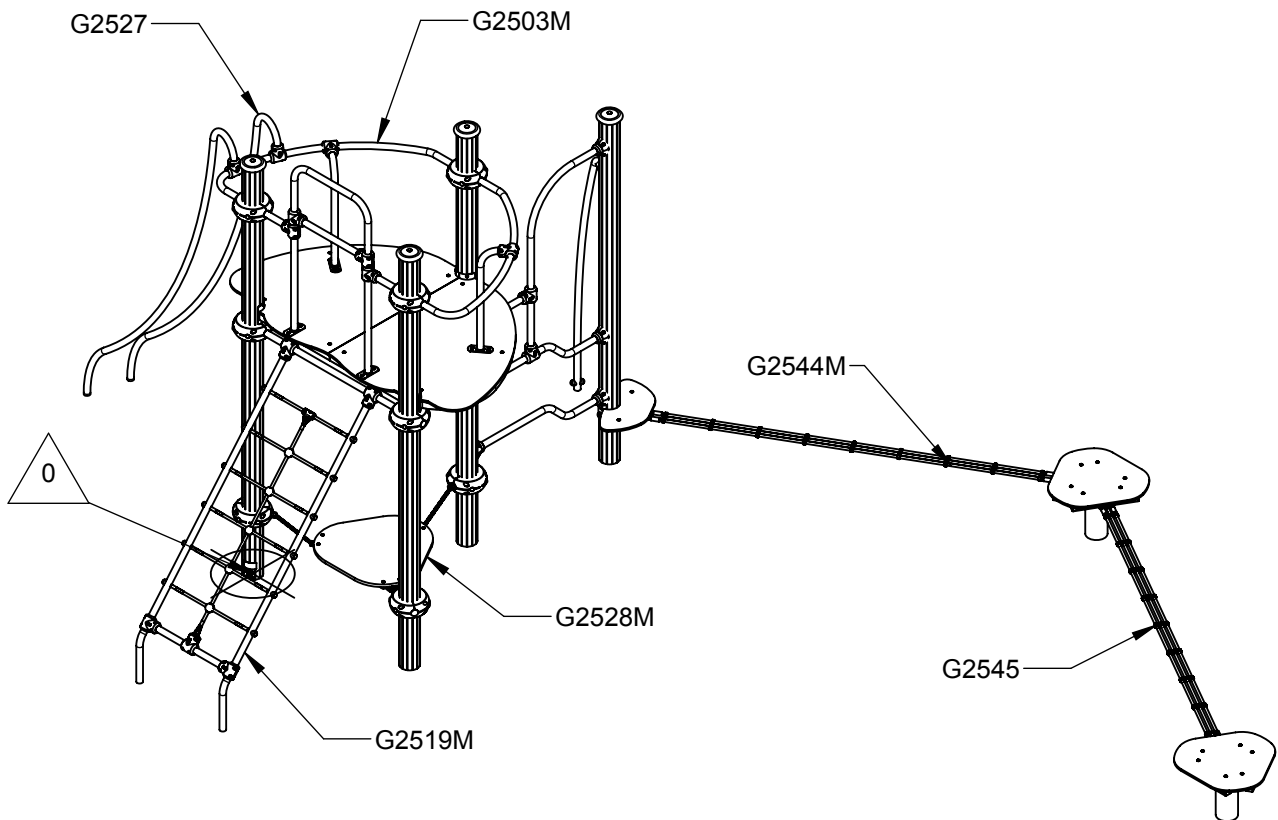


Point de référence  
Setting out point  
Punto de referencia  
Bezugspunkt  
Referentiepunt

- - - Espace libre  
Free space  
Espacio libre  
Freiraum  
Vrije ruimte

EN1176-1 : 2017

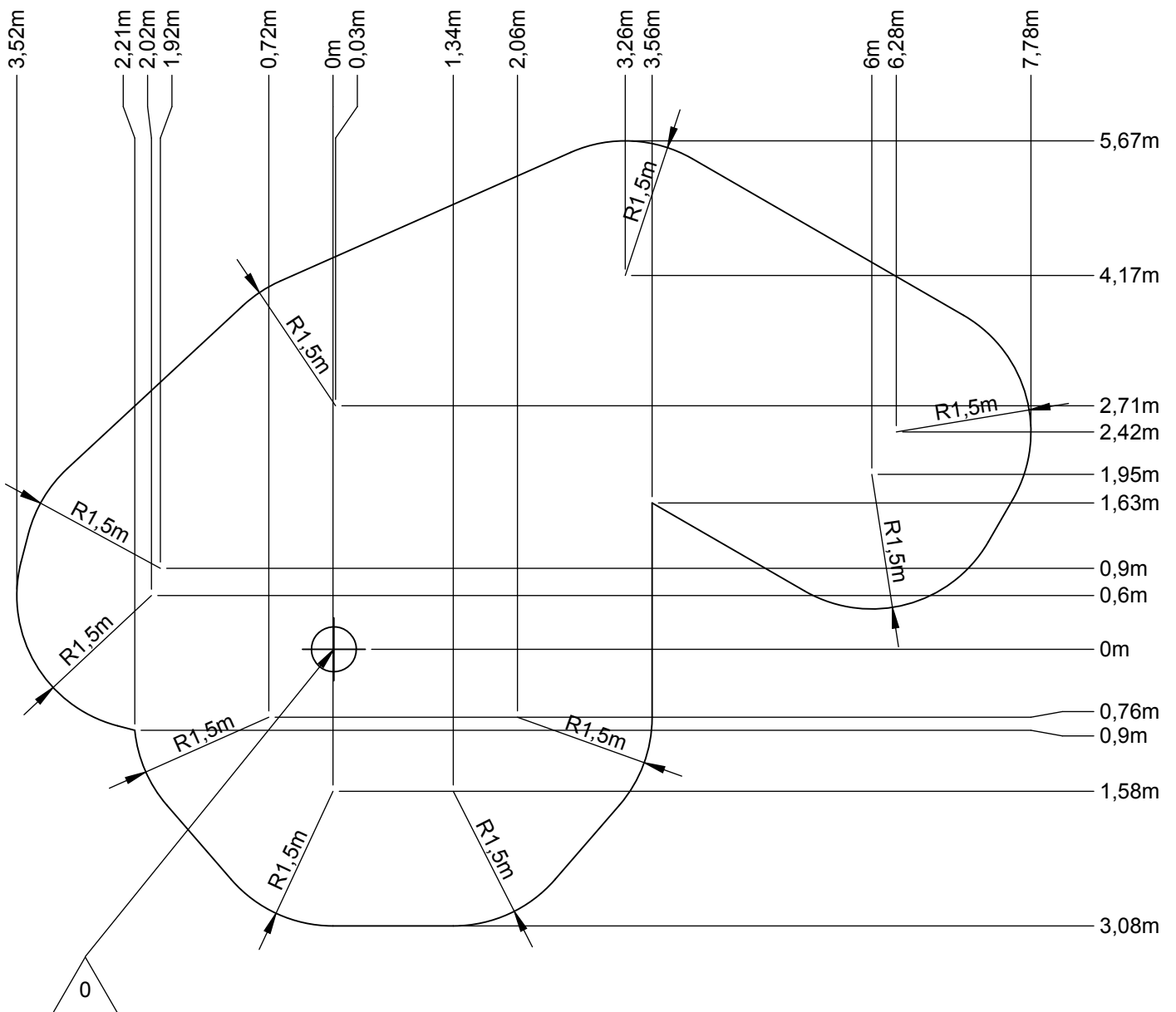




G2503M	1
G2519M	1
G2527	1
G2528M	1
G2544M	1
G2545	1
LA000	1
M8310N	1
M8440N	1
MI0002	1
VTH6x30A	1

— Zone d'impact  
 Impact area  
 Area de impacto  
 Fallraum  
 Valzone

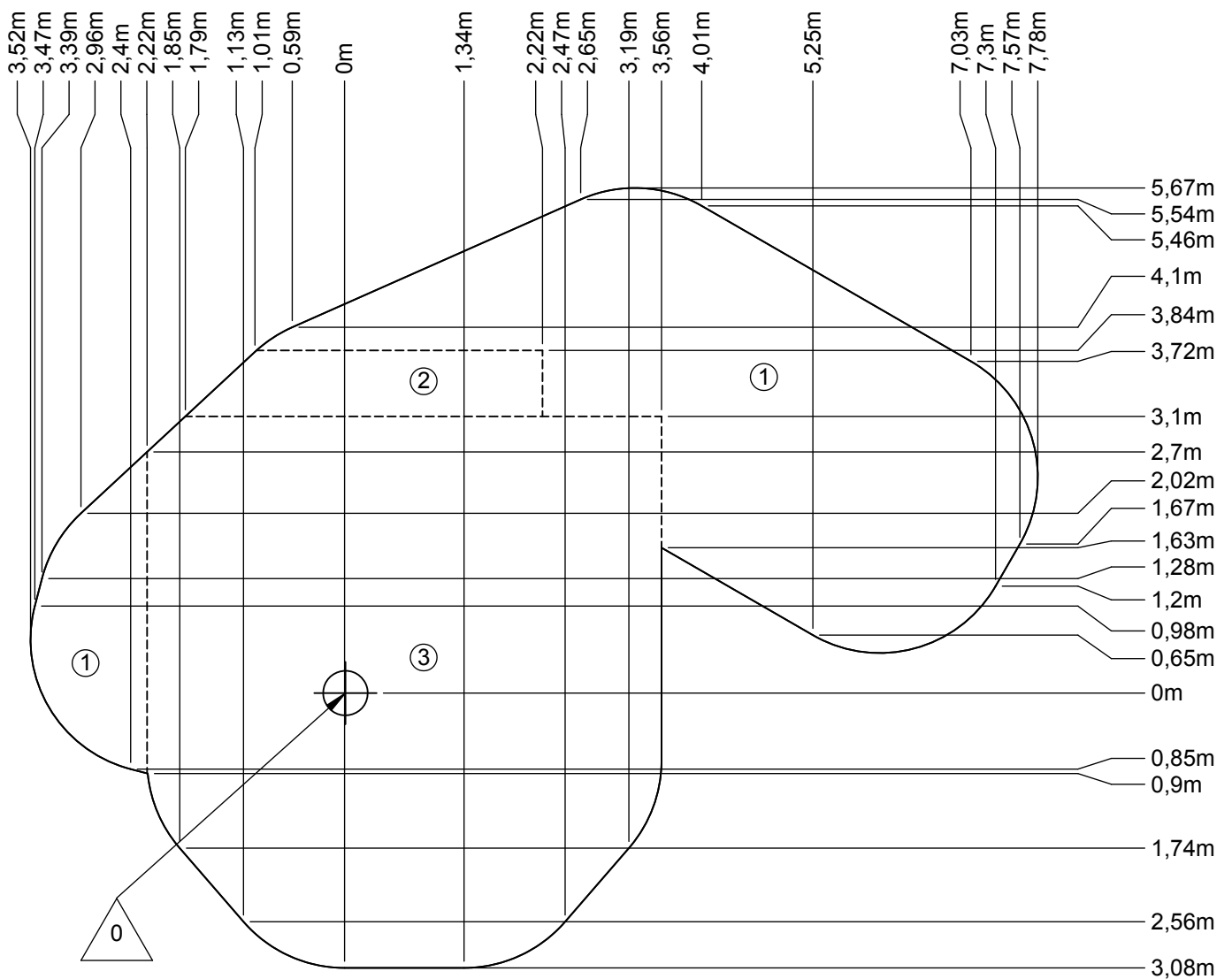
60 m<sup>2</sup>





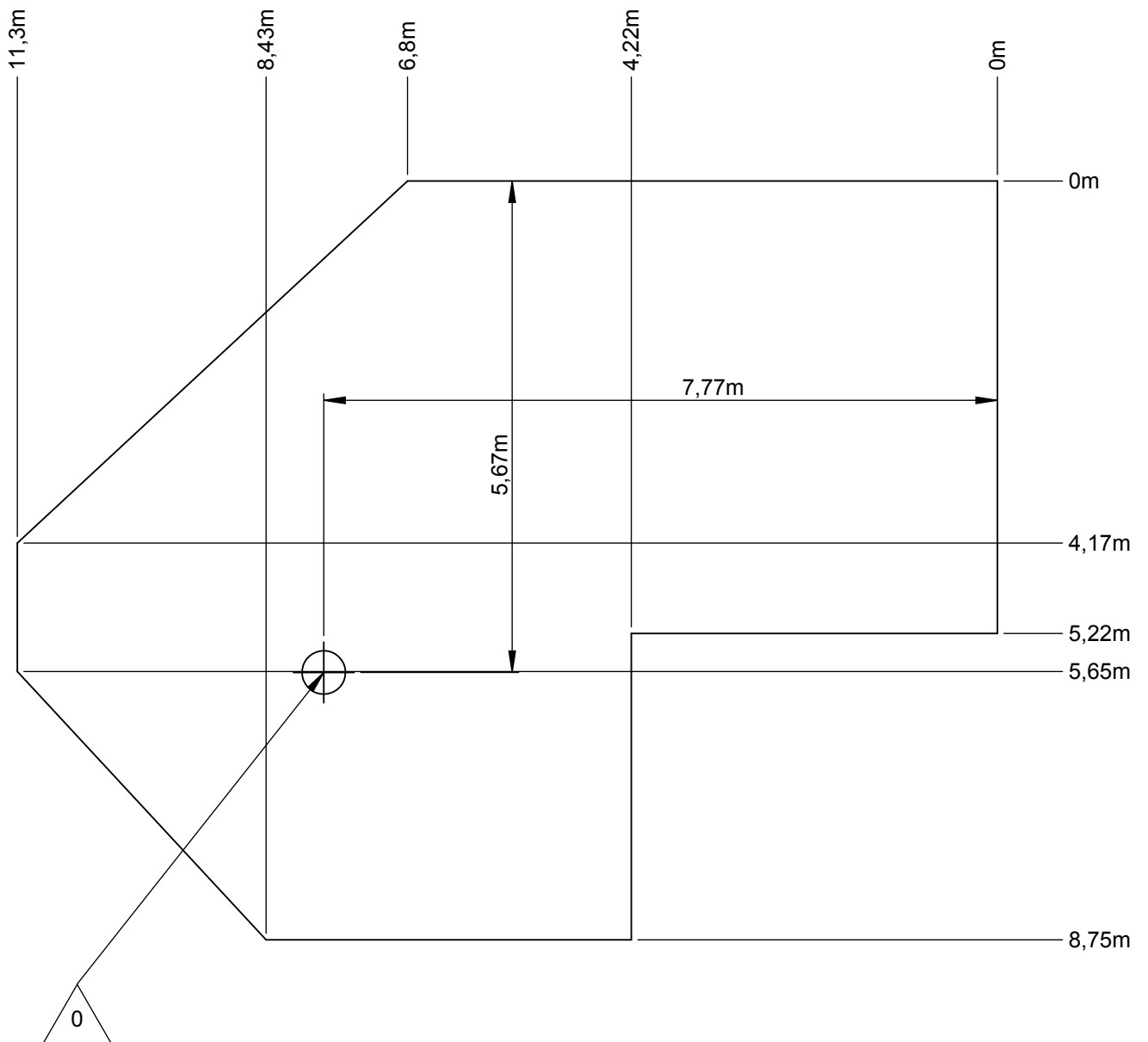
— Sol souple  
 — Wetpour  
 — Caucho continuo  
 — Synthetischer fallschutz  
 — Gietvloer

60 m<sup>2</sup>

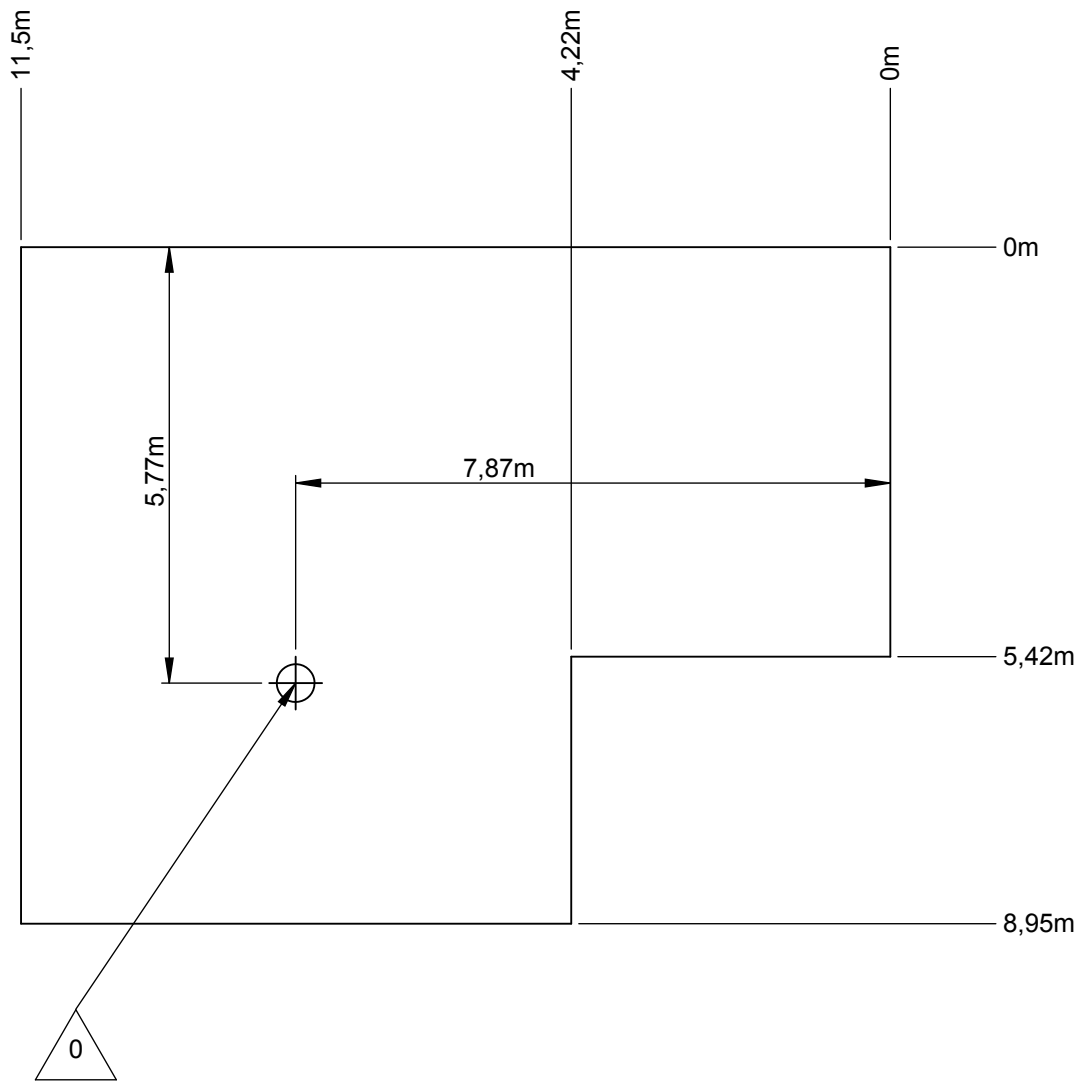


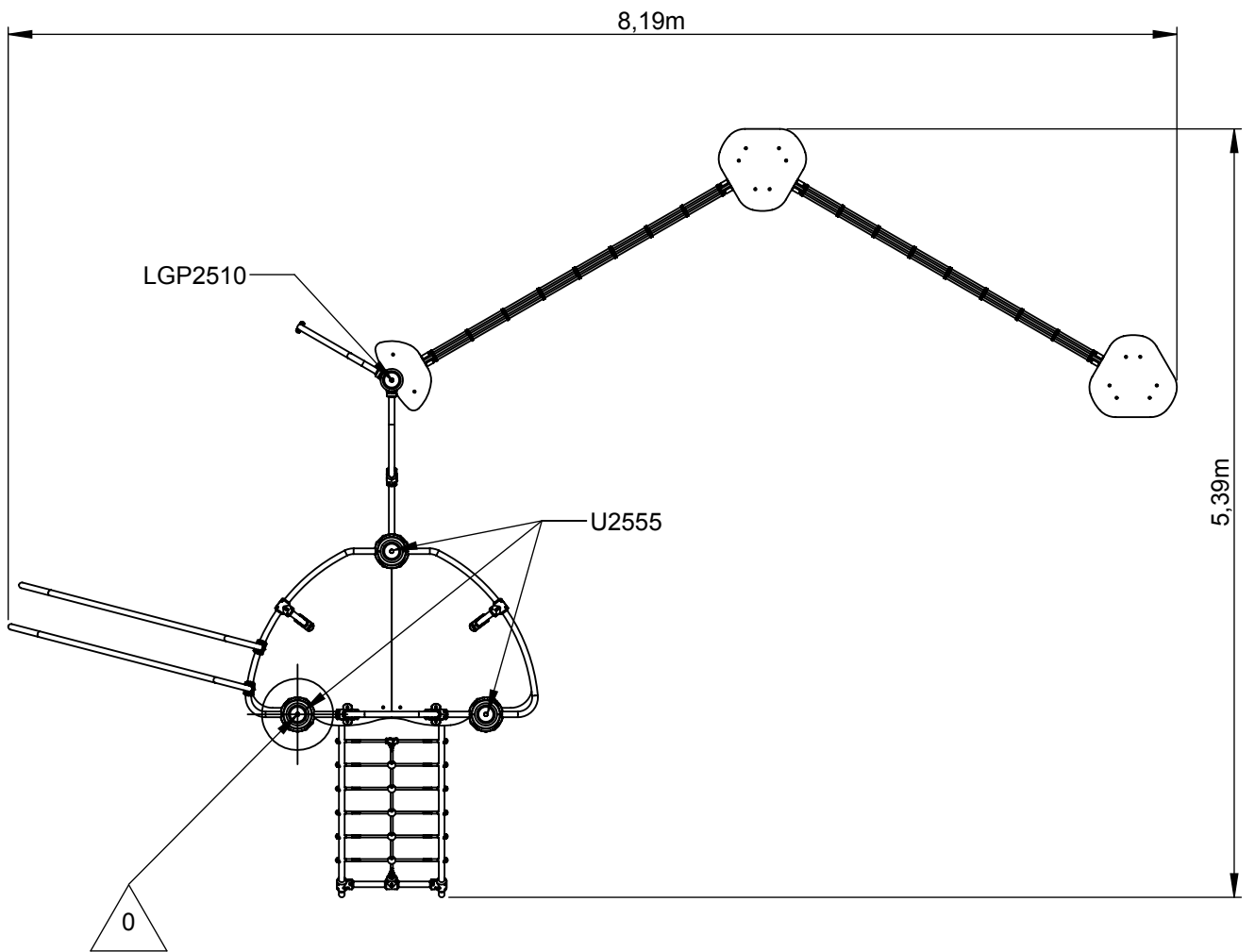
— Dalle béton  
 Concrete pad  
 Solera de hormigon  
 Beton bodenplatte  
 Betonnen bodemplaat

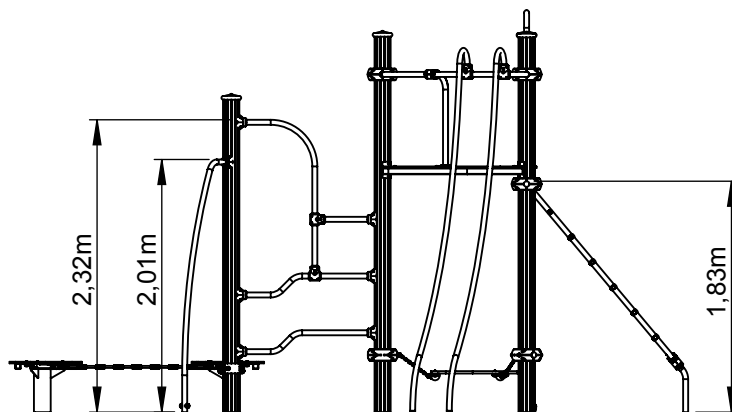
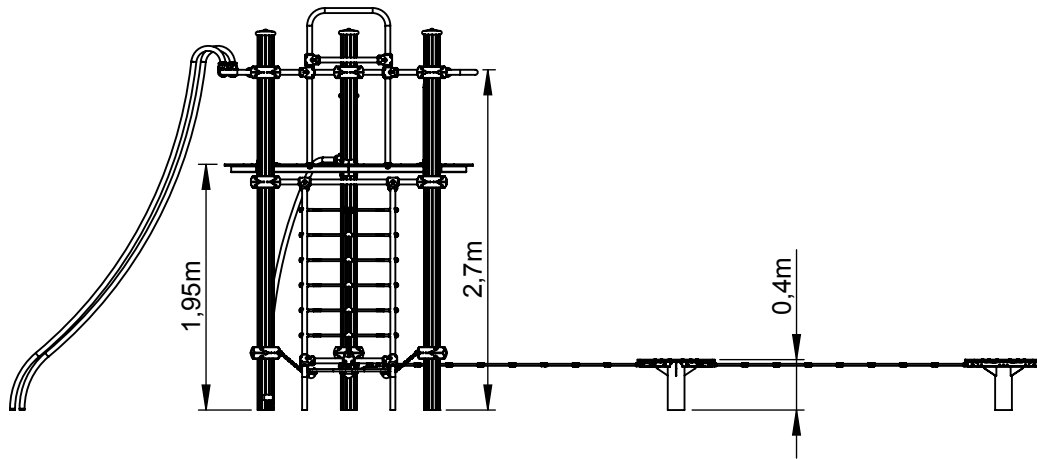
36 m  
 70 m<sup>2</sup>



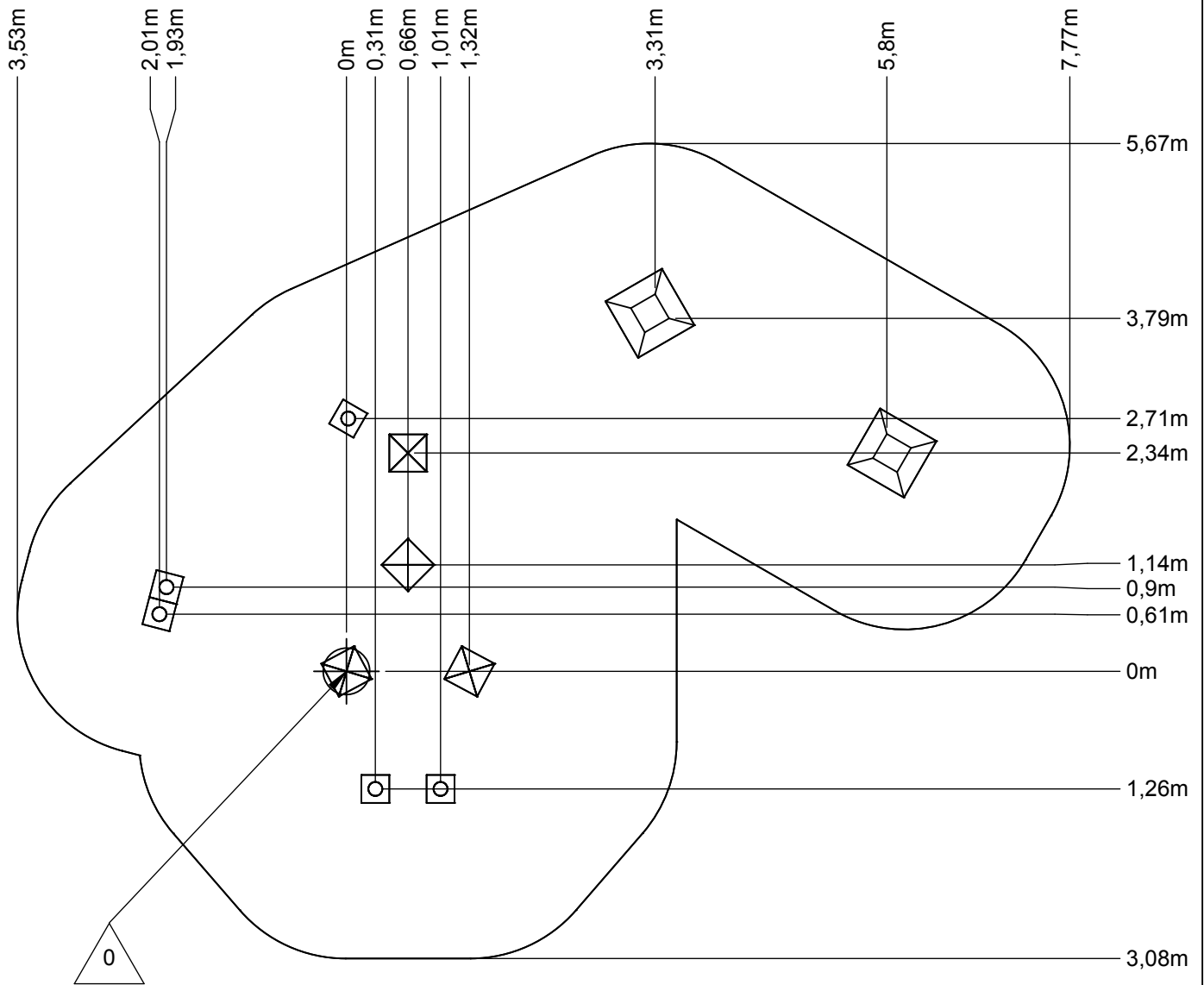
— Sol fluent  
 Loos partucule material 42 m  
 Arenero  
 Loses Bodenmaterial 88 m<sup>2</sup>  
 Los bodemmaterialaal





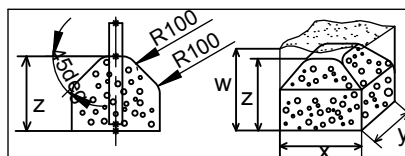







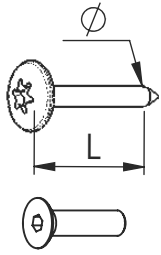
Implantation  
 Footing plan  
 Implantación  
 Fundamentplan  
 Funderingstekening



 x2  
 7H  
 1 m<sup>3</sup>

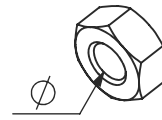


	x	y	z	w
	0.3	0.3	0.3	0.6
	0.4	0.4	0.6	0.8
	0.7	0.7	0.5	0.7

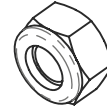


VBT 6 x 30  
 $\varnothing$   $\uparrow$  L (mm)

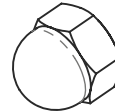
VFHC



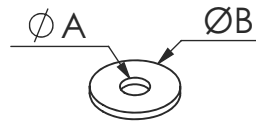
VEC M10  
 $\varnothing$



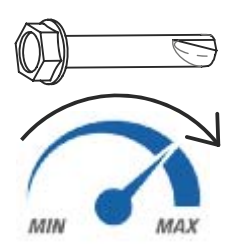
VEF




VEB



VR6x18  
 $\varnothing A$   $\varnothing B$

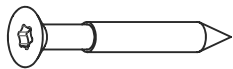


**VTHA**



**1000 - 1800 tr/min**  
 Vitesse de rotation  
 Rotation speed

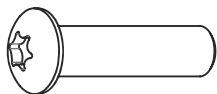
**14 N.m**  
 Couple de rupture  
 Torque of break



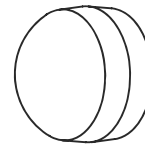
VWT



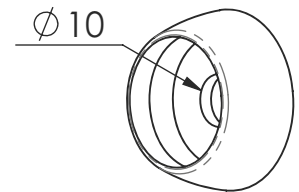
VGC



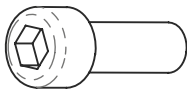
VCBHC



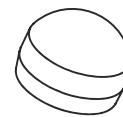
M10 440N



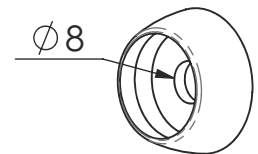
M10 310 N



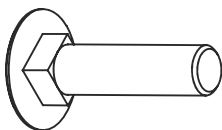
VBTR



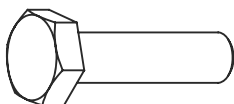
M8440N



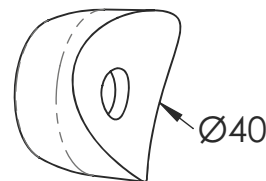
M8310N



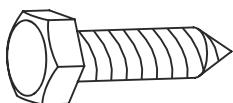
VTRCC



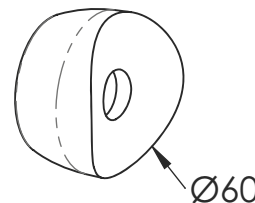
VTH



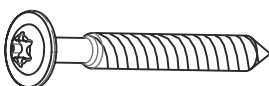
MI2503



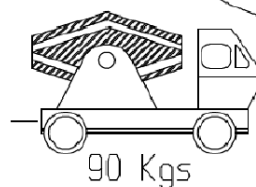
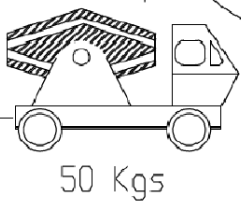
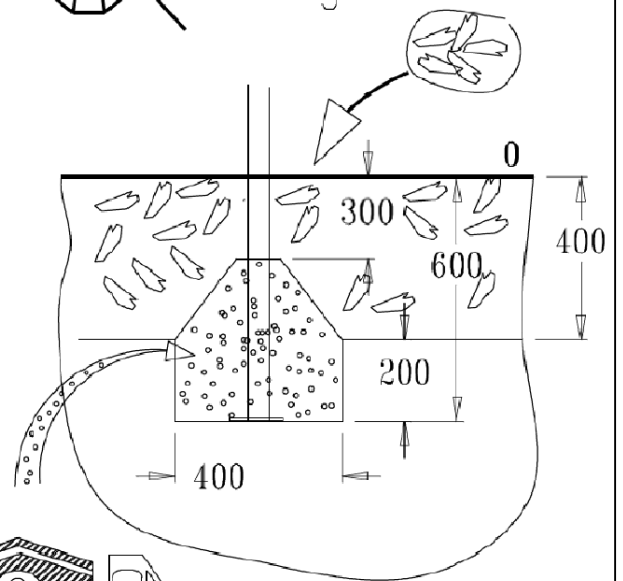
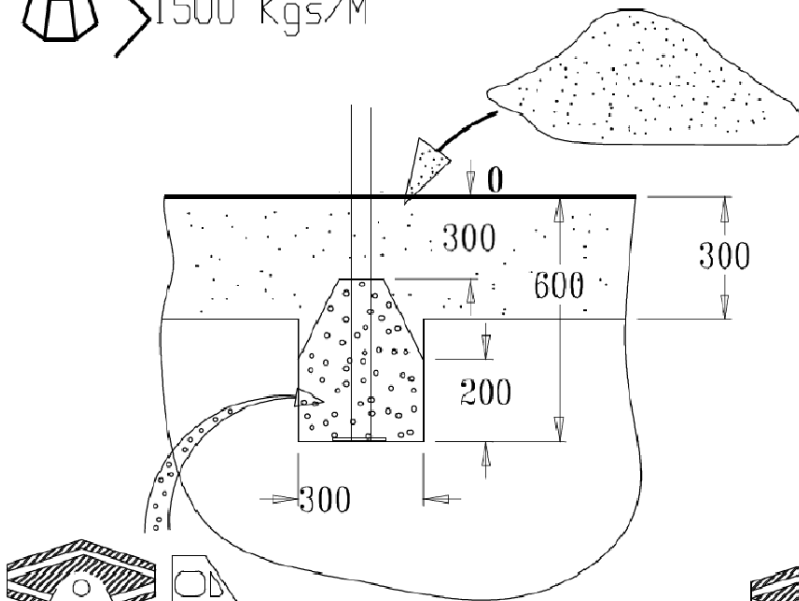
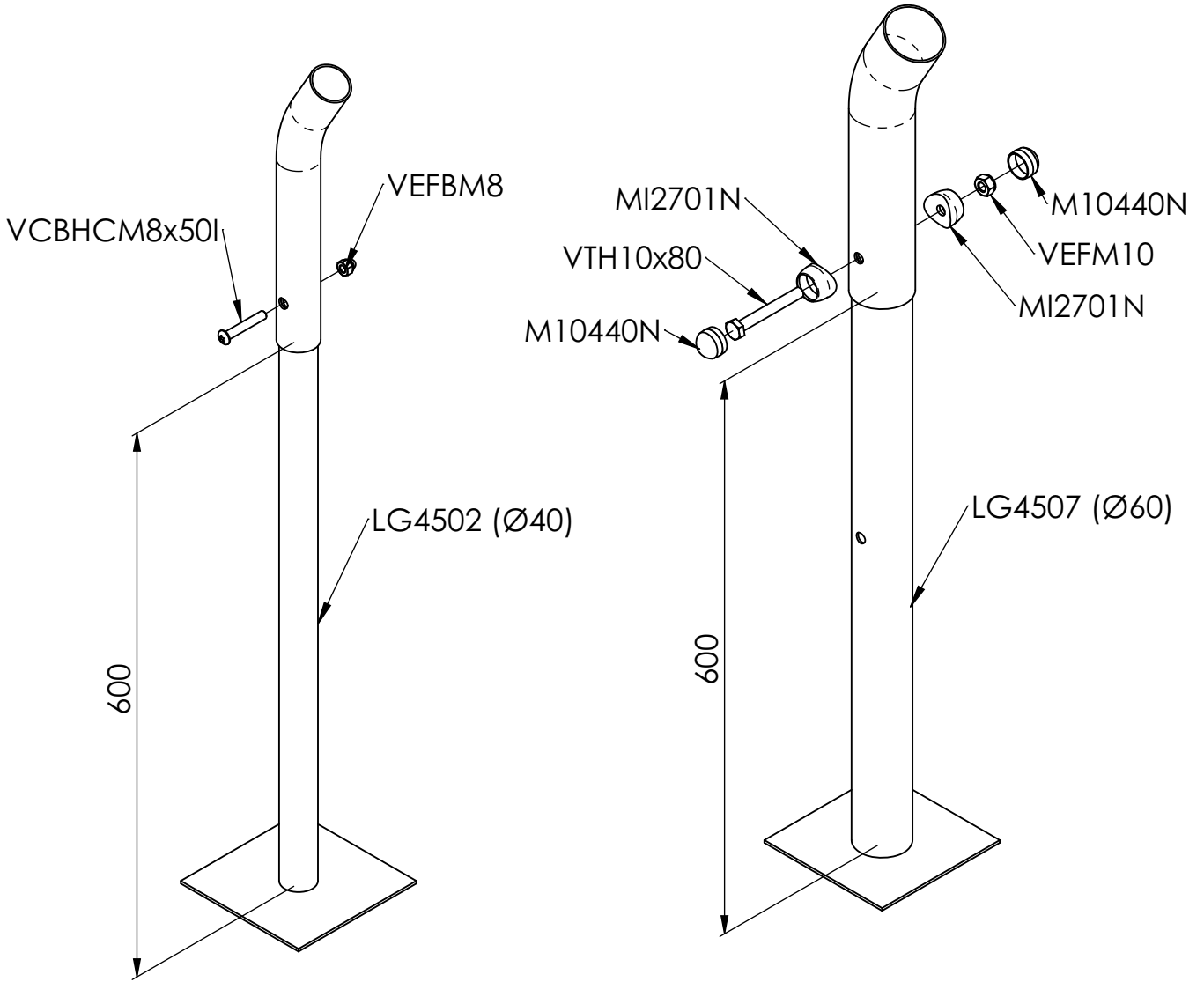
VTF



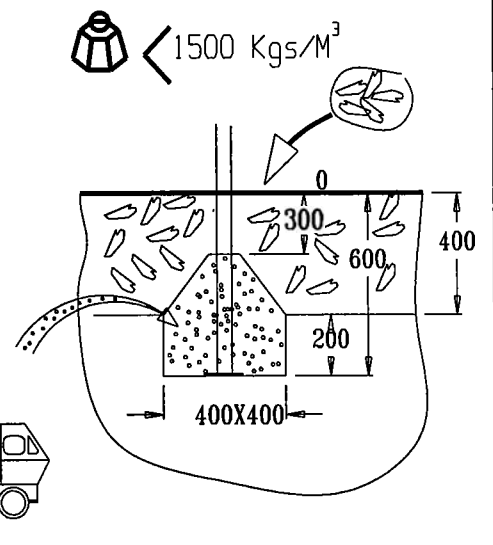
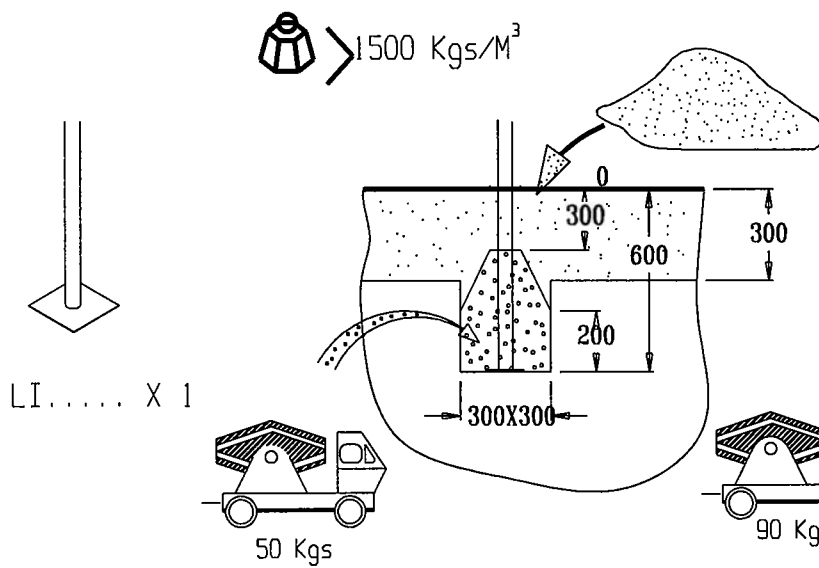
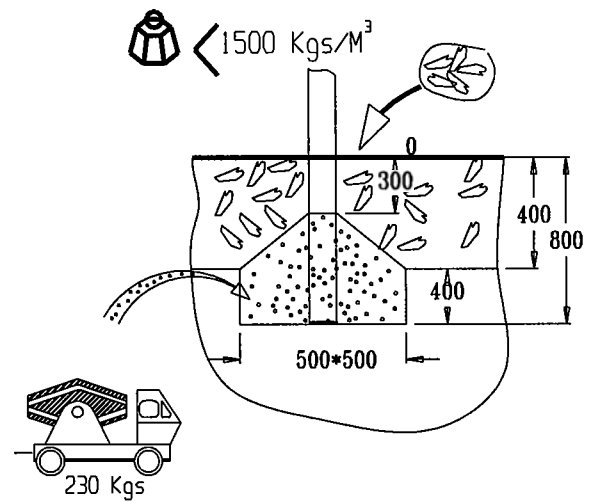
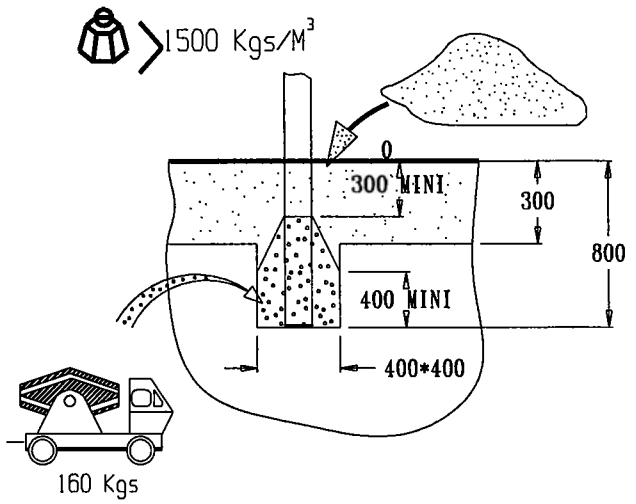
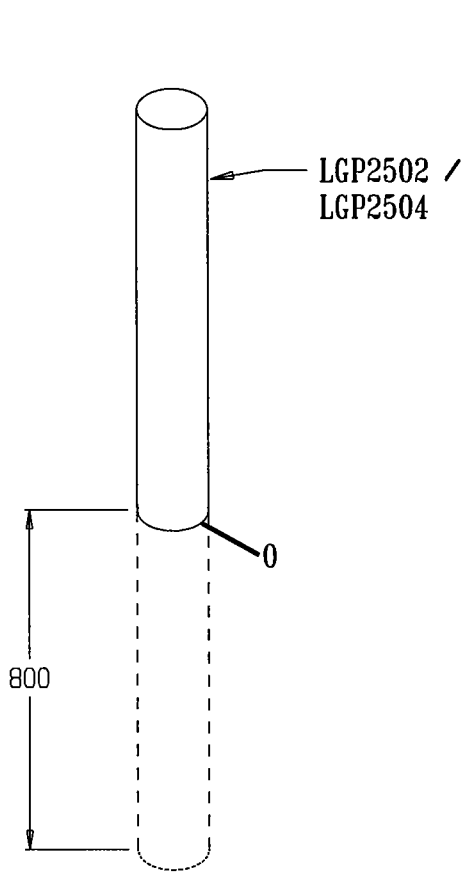
MI2701



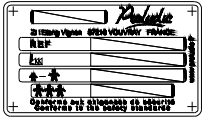
VBT



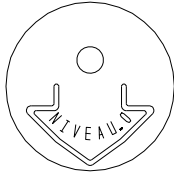




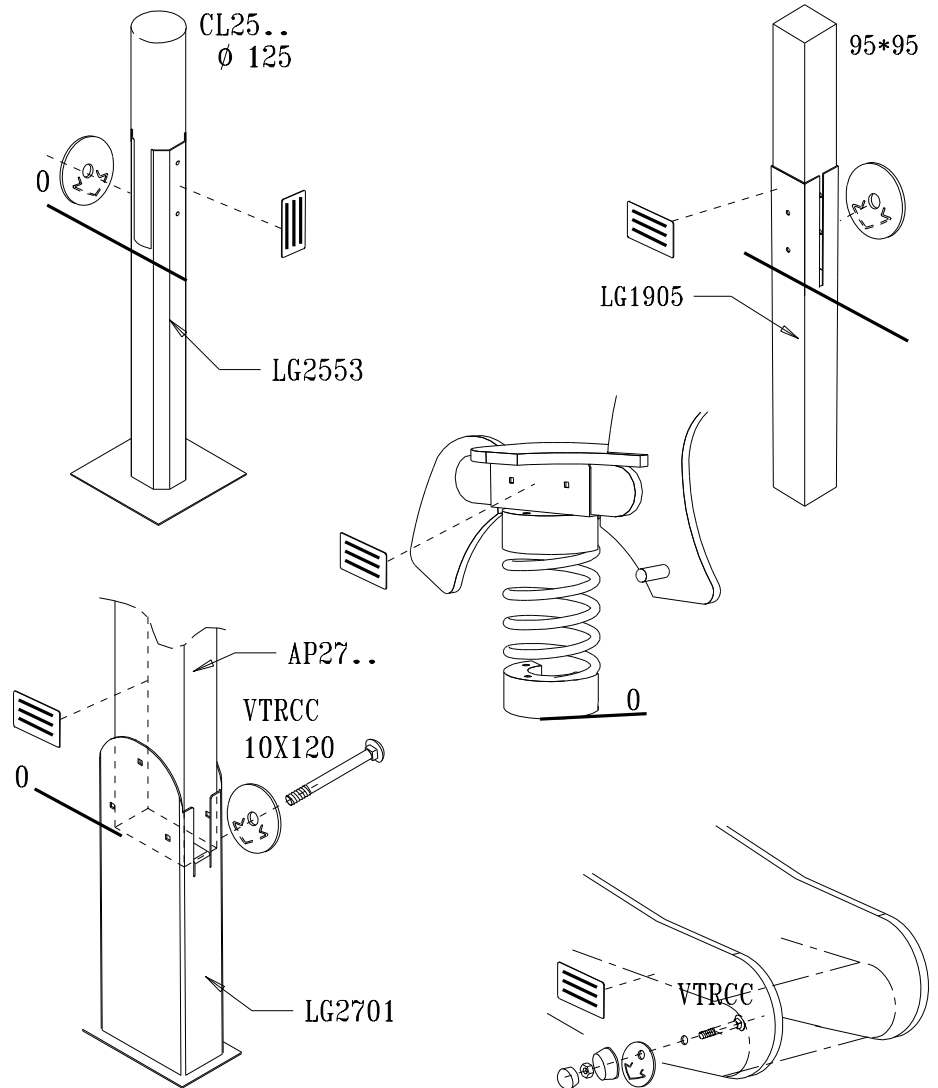
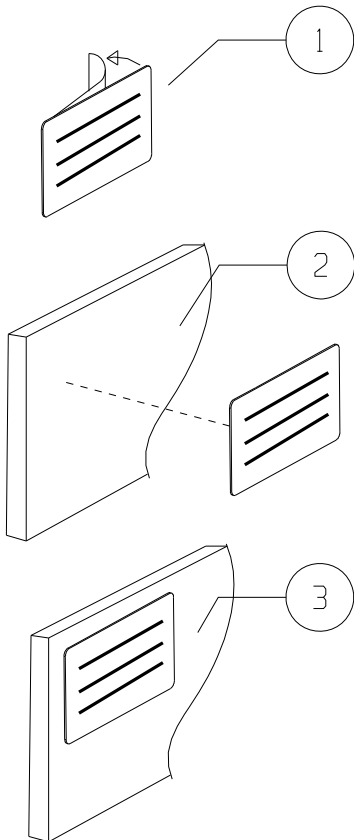
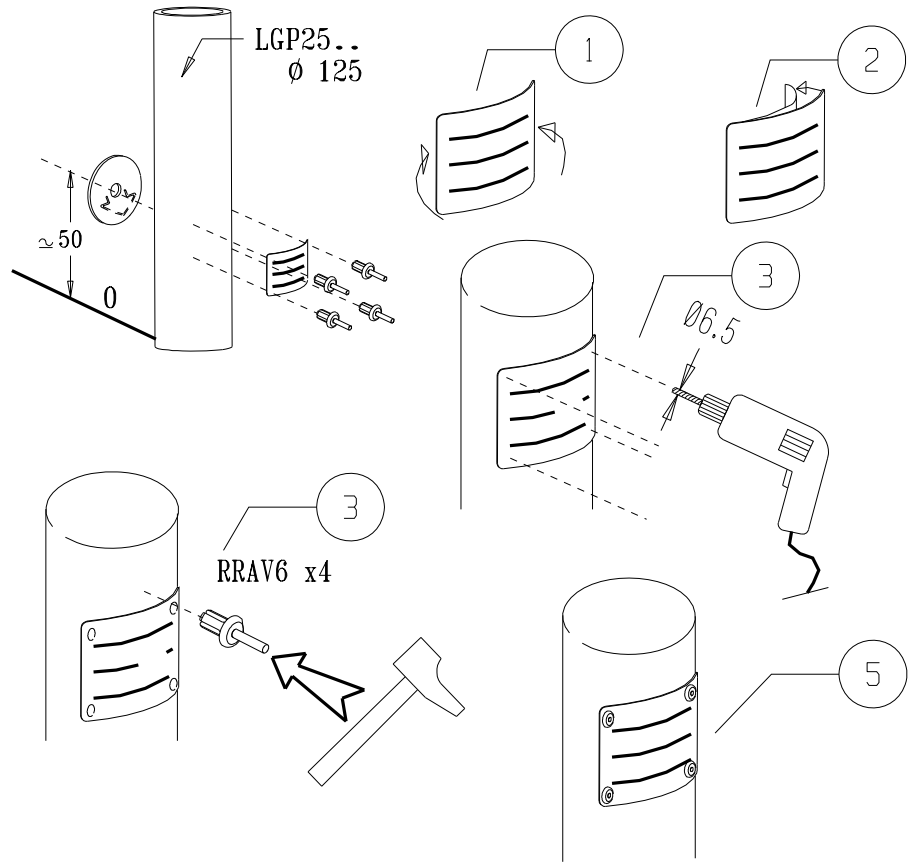
LI..... X 1

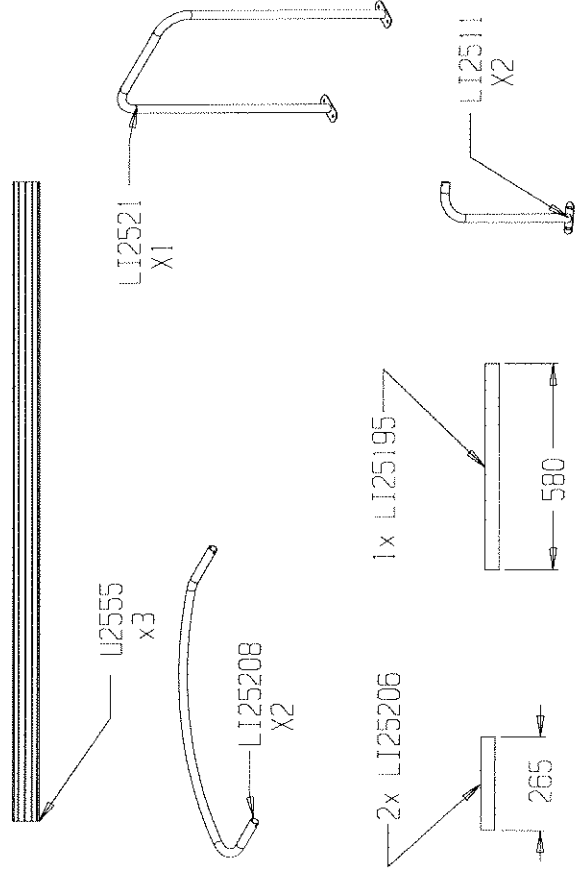
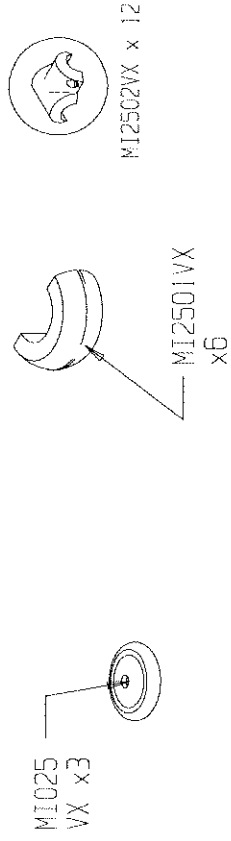
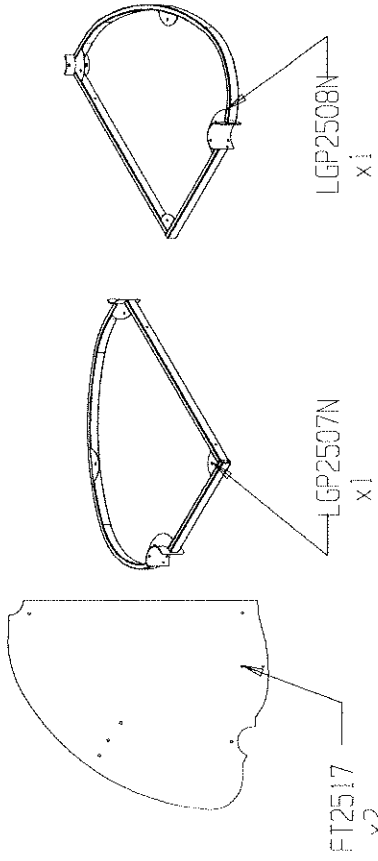
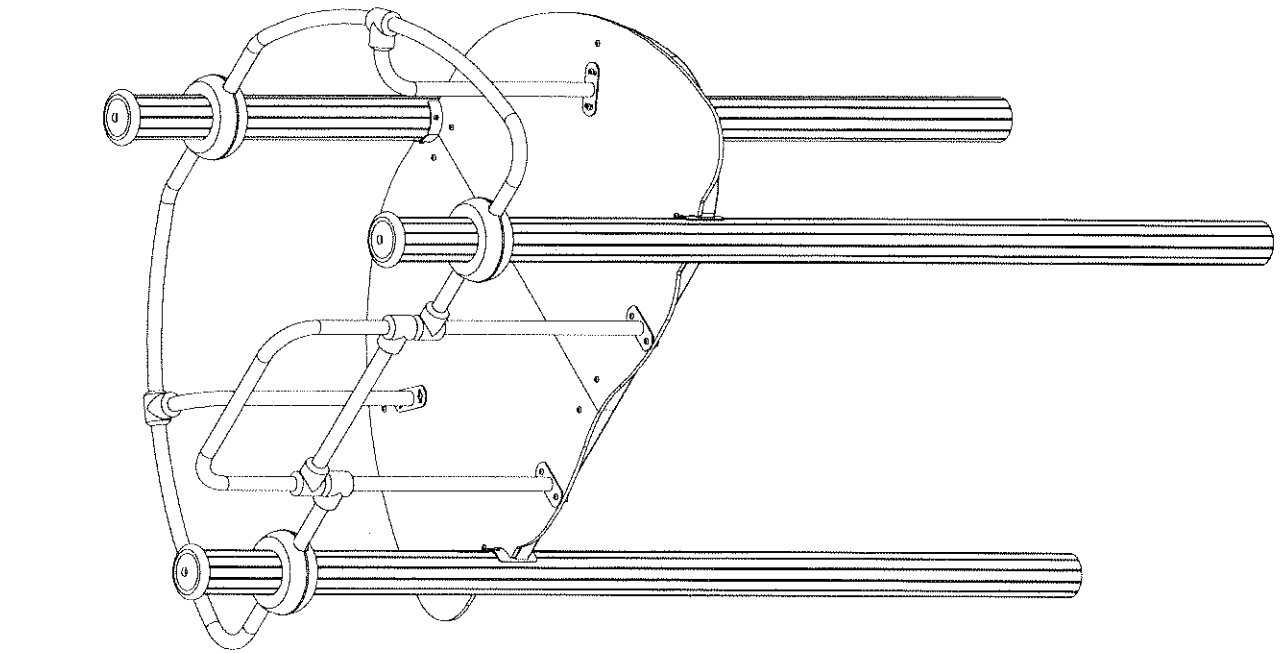


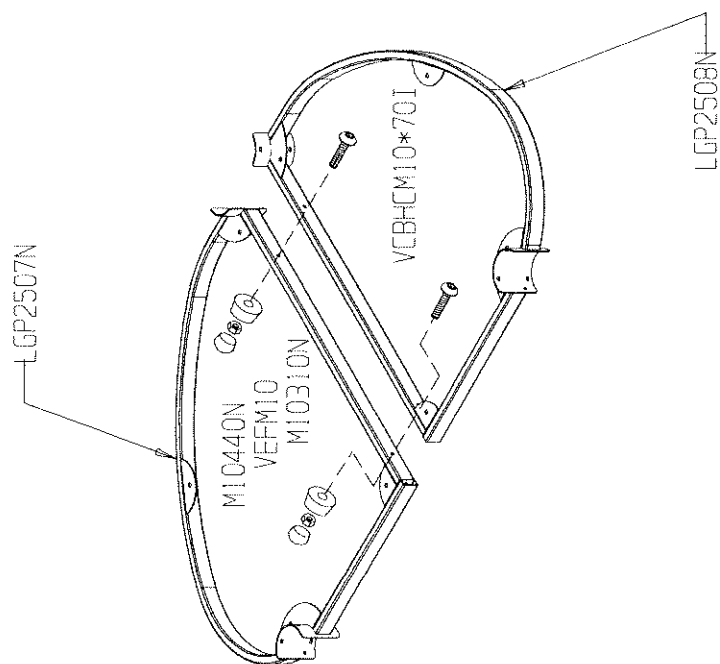
LA000



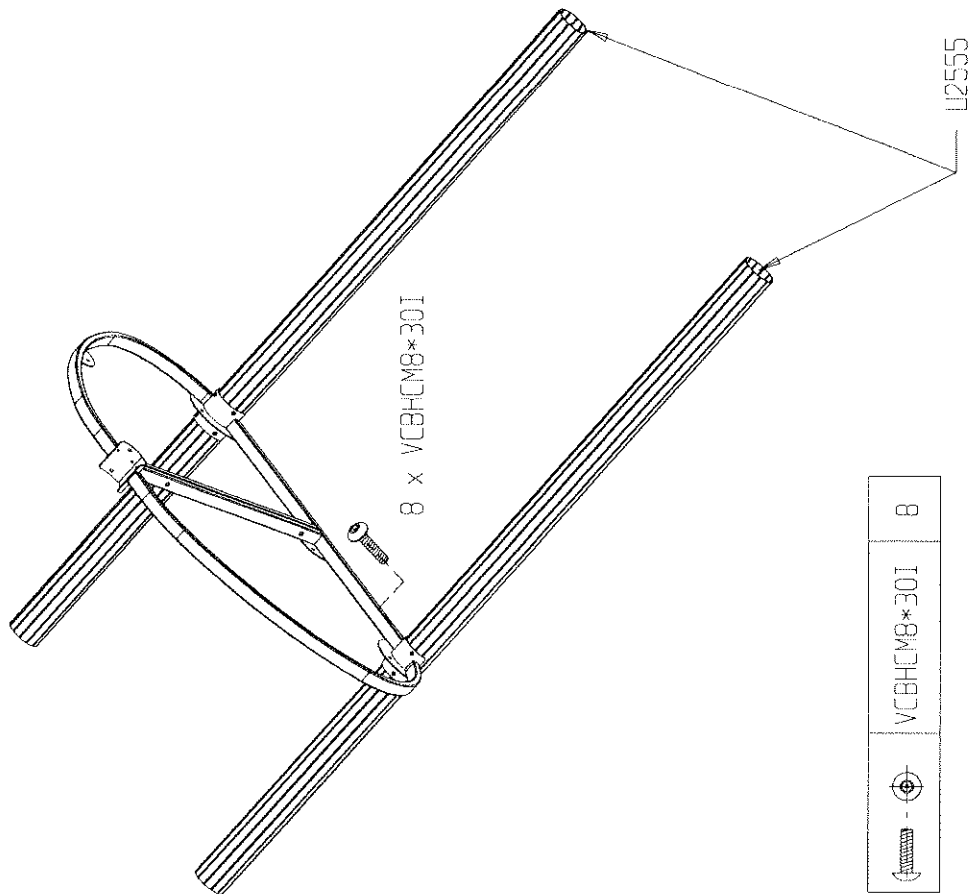
MI0002







	M10310N	2
	M10440N	2
	VCBHC10*70I	2
	VEFM10	2

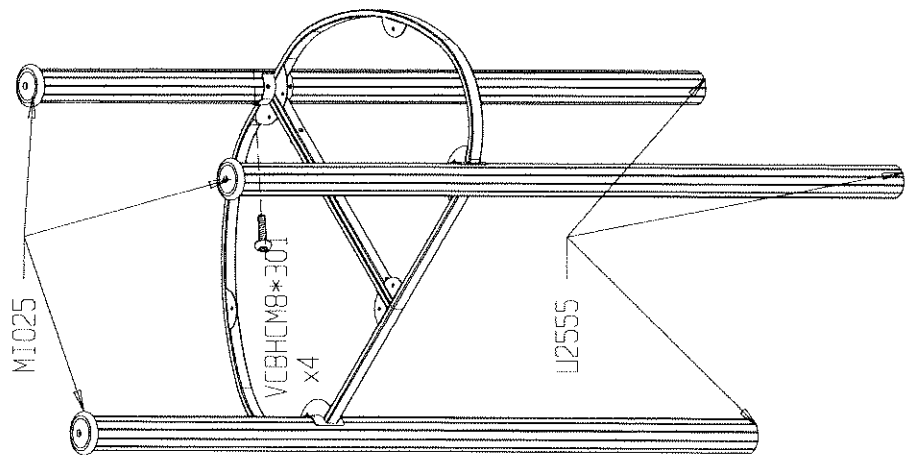
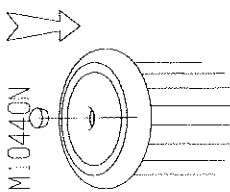
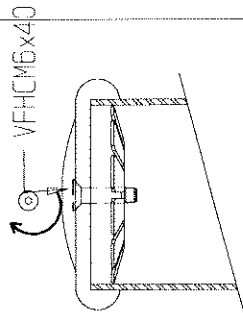
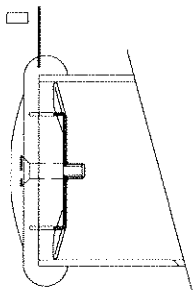
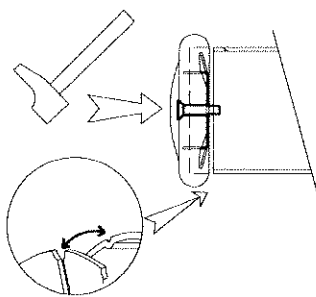
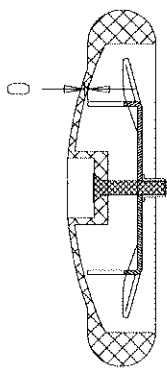
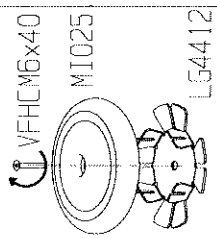


	VCBHC8*30I	8
--	------------	---

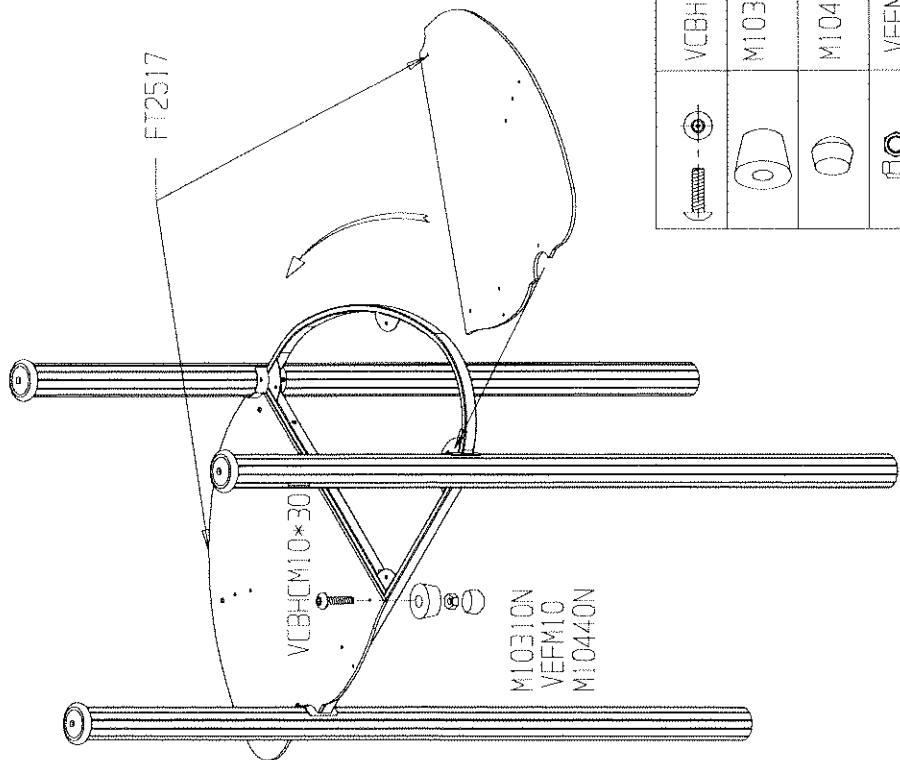
G2503M

3/5

Prologic

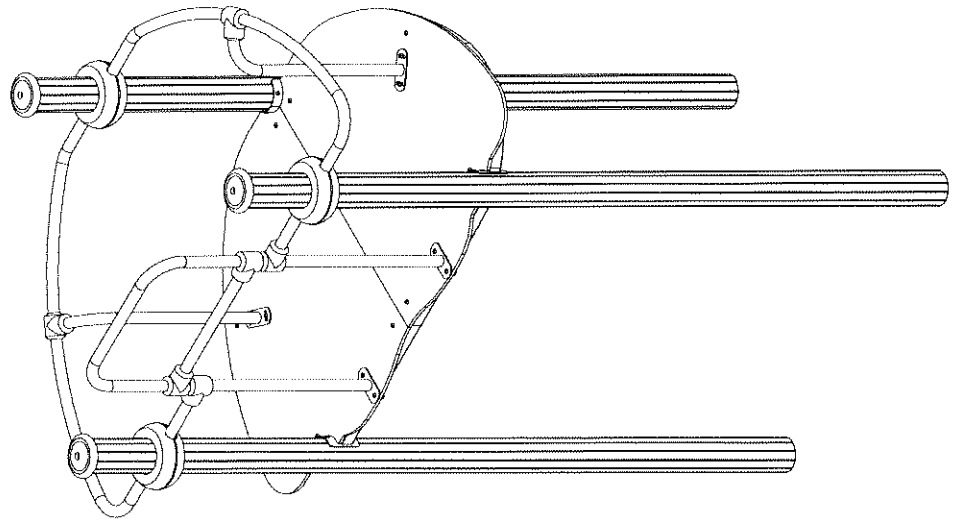
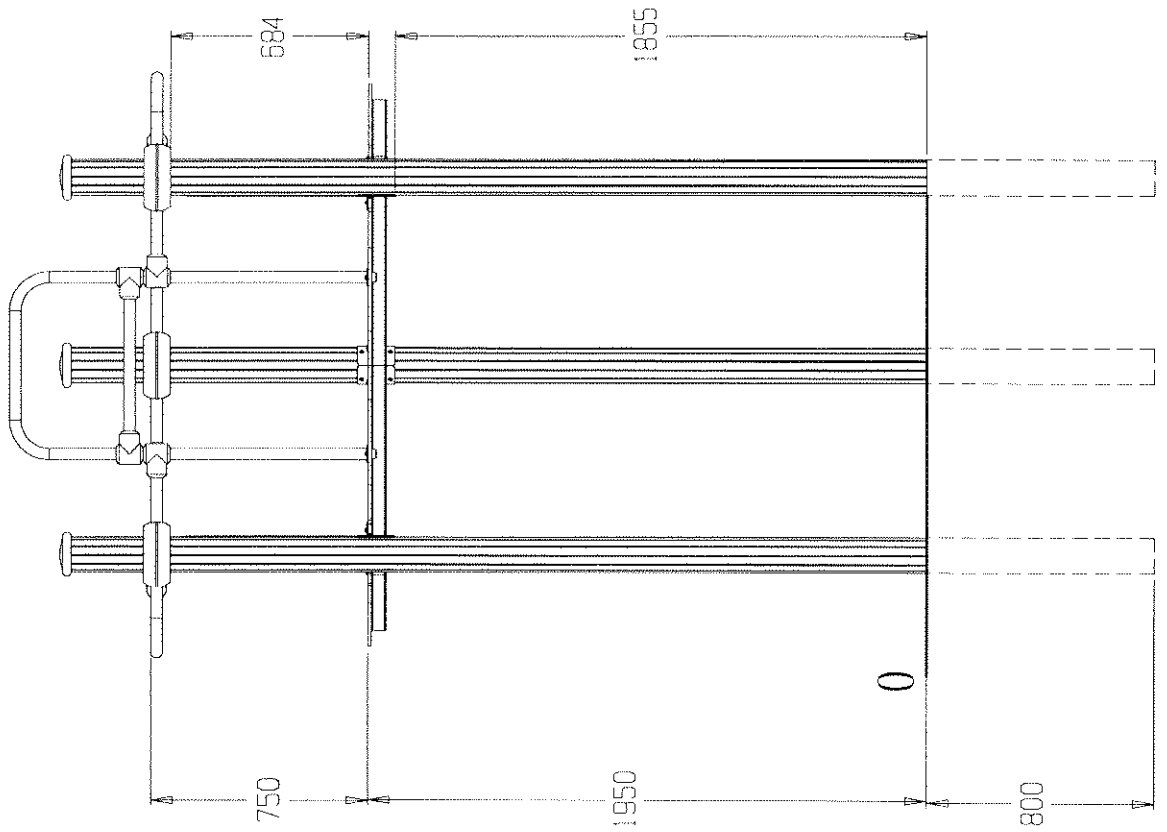


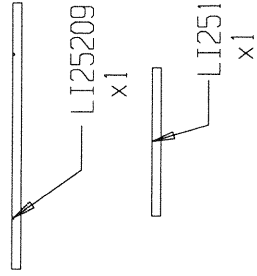
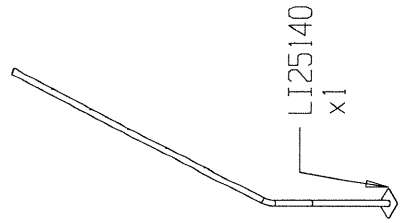
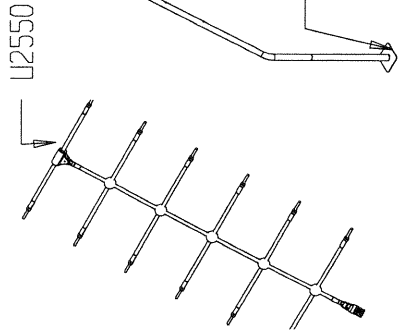
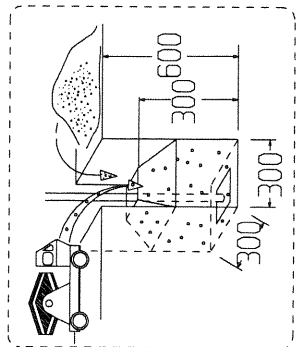
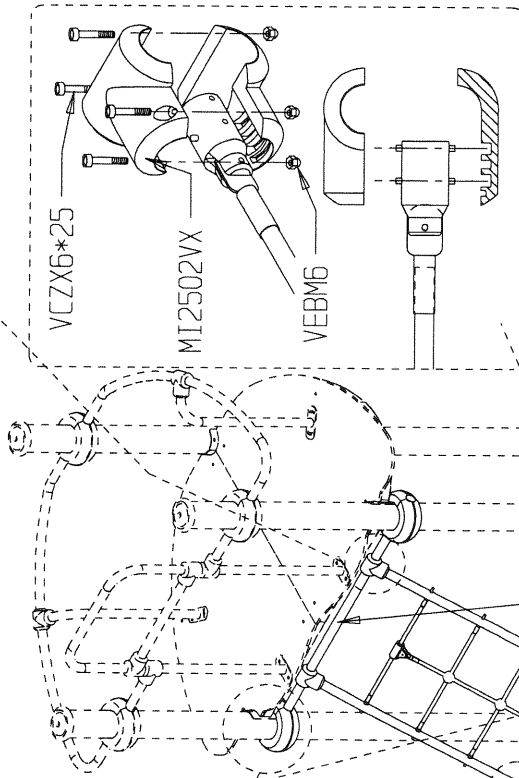
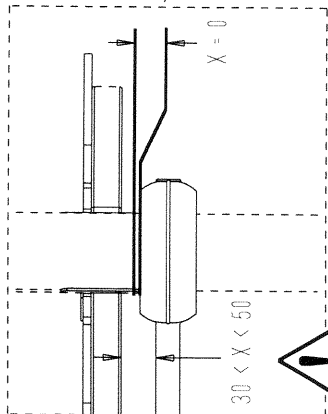
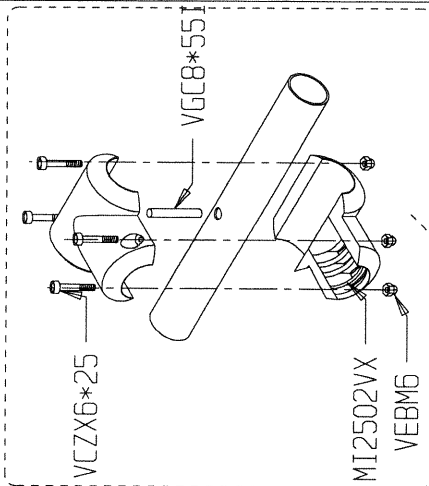
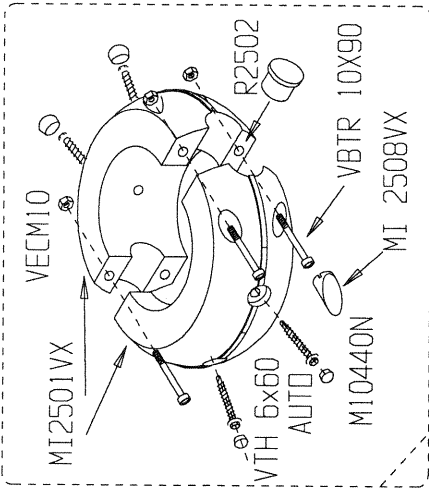
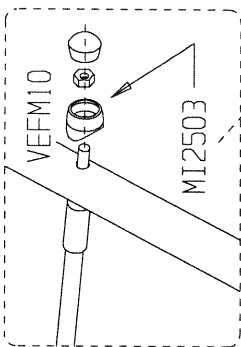
	VFHCM6x40	3
	MI 025VX	3
	MI0440N	3
	LG4412	3
	VCBHCM8*30I	4



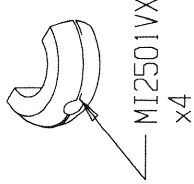
	VCBHCM10*30I	8
	MI0310N	8
	MI0440N	8
	VEFM10	8





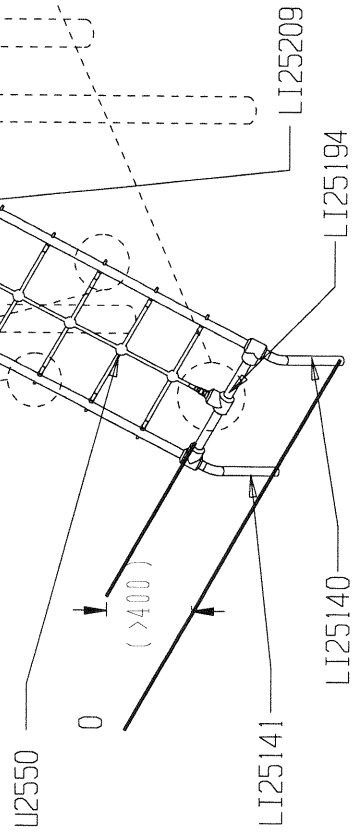


MI2502VX x 10

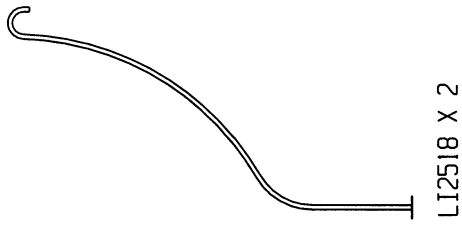
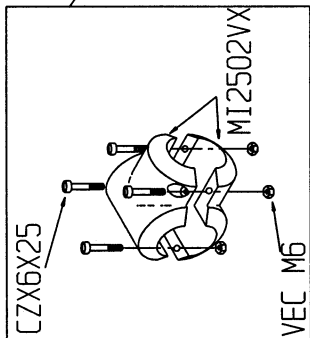


MI2501VX x4

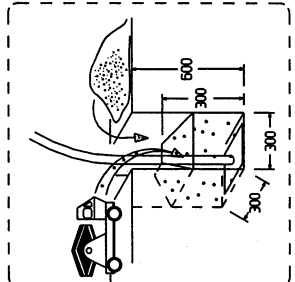
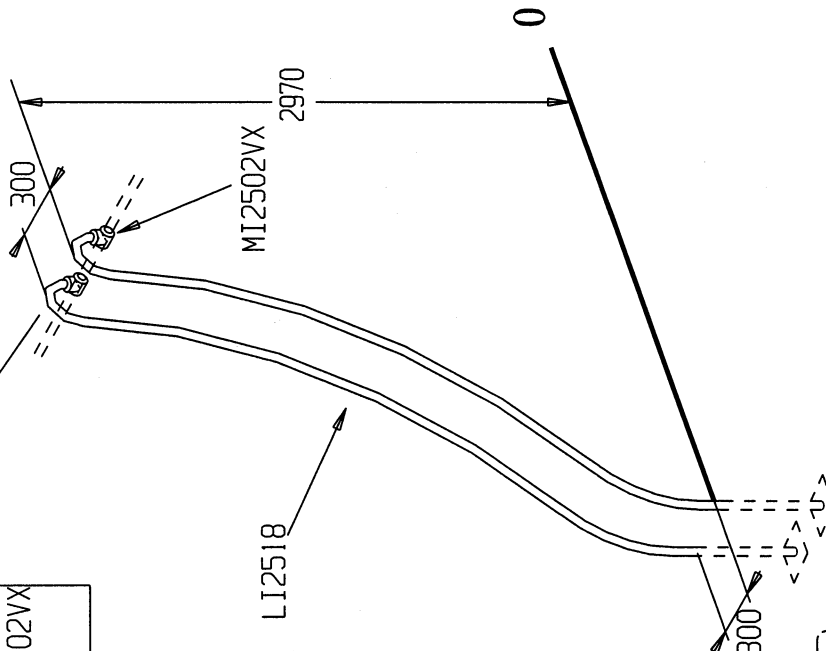
	R 2502	2
	VTH 6x60 AUTO	8
	VECM10	8
	VBTR 10x90	8
	M10440N	8
	MI 2508VX	16
	VGC8*55I	2
	VCZX 6x25	20
	VEBM6	20
	M10440 N	12
	MI2503N	12
	VEFM10	12



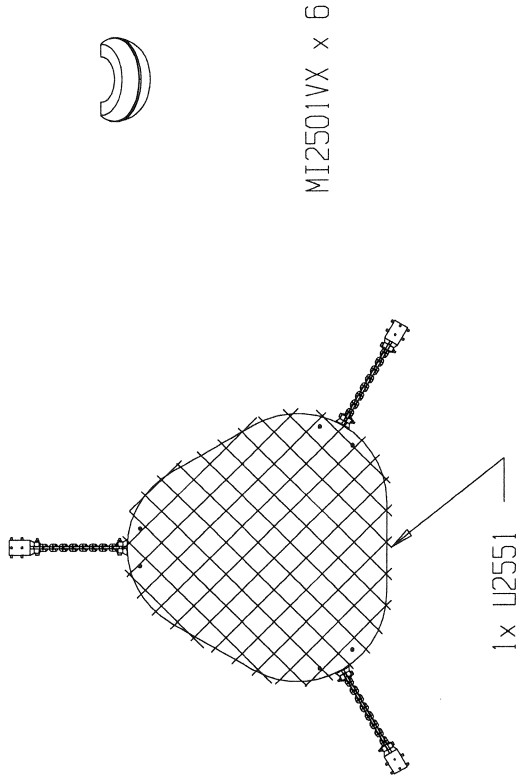
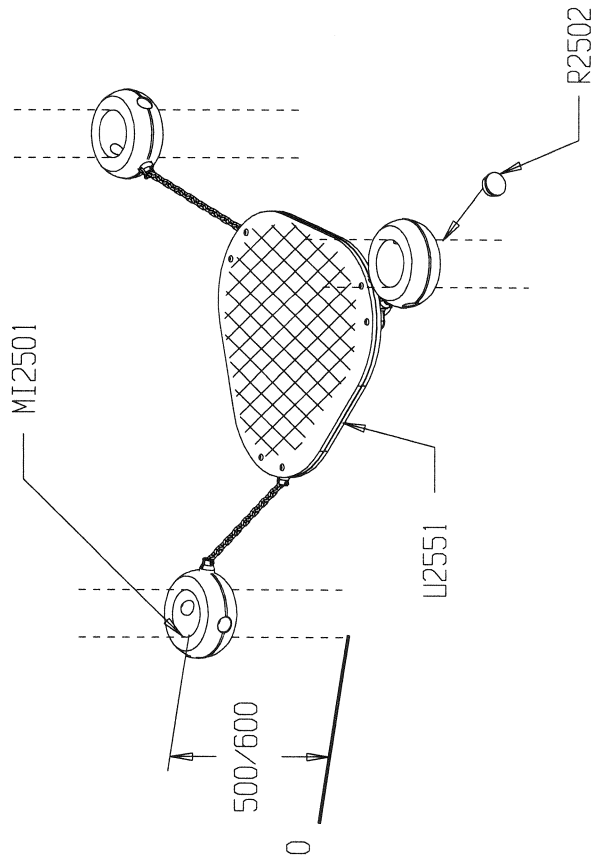
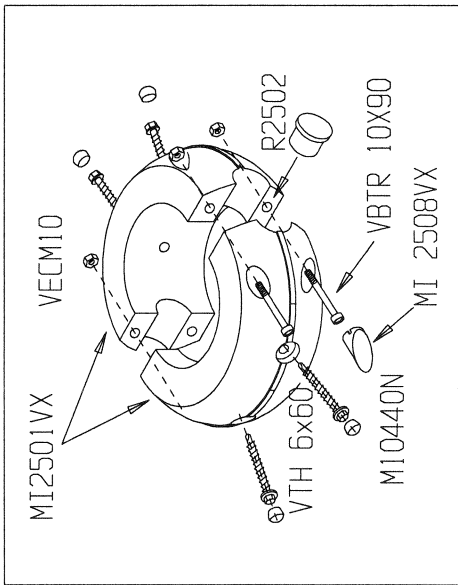




MI2502VX X 4



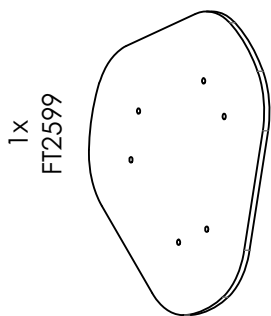
⊕	VEC M6	8
⊕	VCZX 6x25	8



MI2501VX x 6



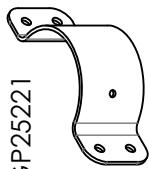
	VTH6x60 AUTO	12
	VEC M10	12
	VBTR 10x90	12
	M10440N	12
	MI 2508VX	24
	R 2502	3



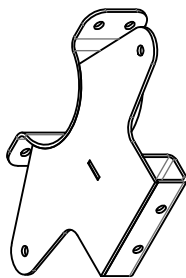
1x FT2599



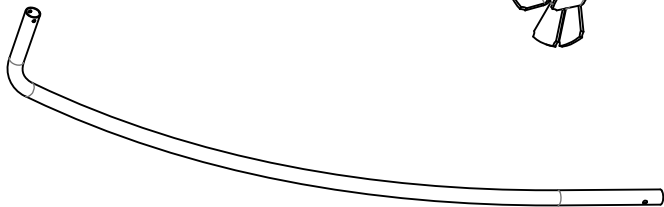
1x FT2598



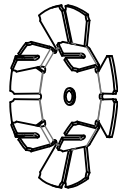
1x LGP25221



1x LGP25220



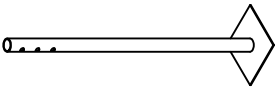
1x LI45298



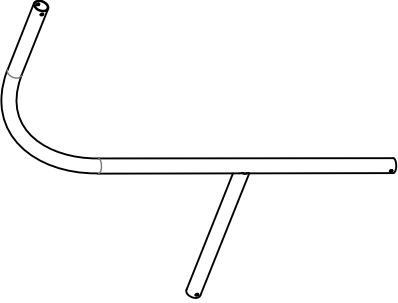
1x LG4412



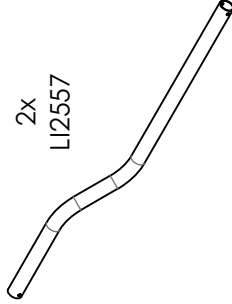
1x LGP2510



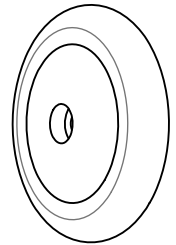
1x LG4502



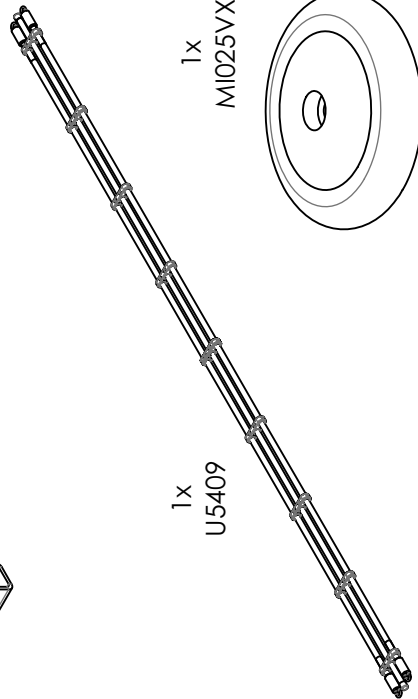
1x LI2553



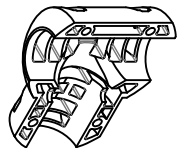
2x LI2557



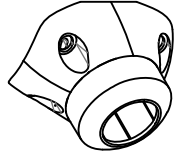
1x MI025VX



1x U5409

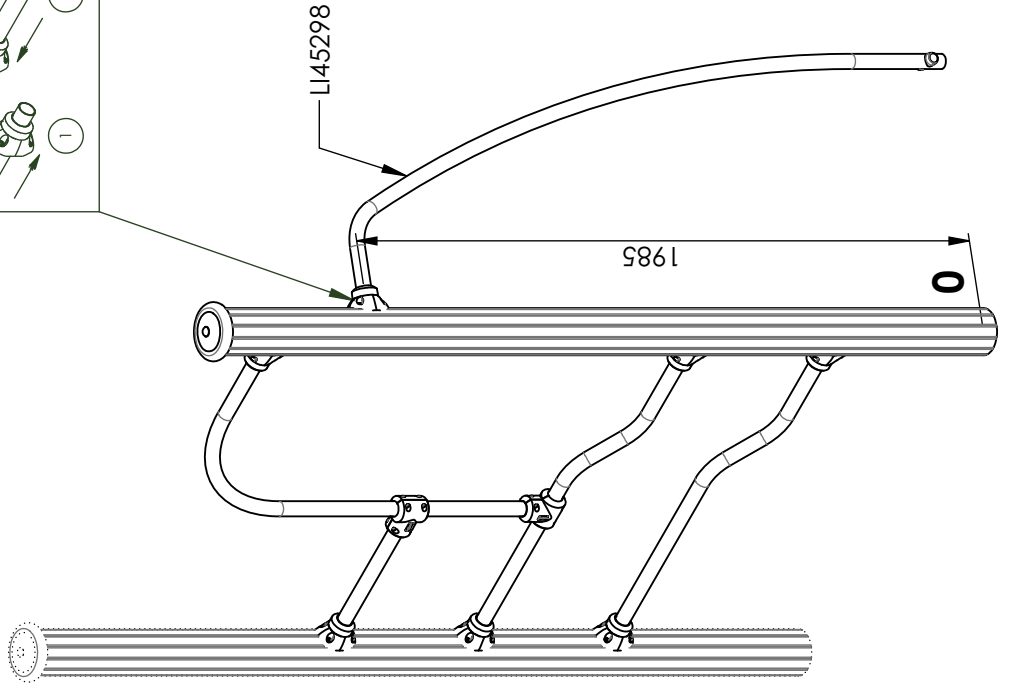
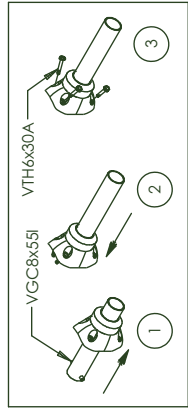
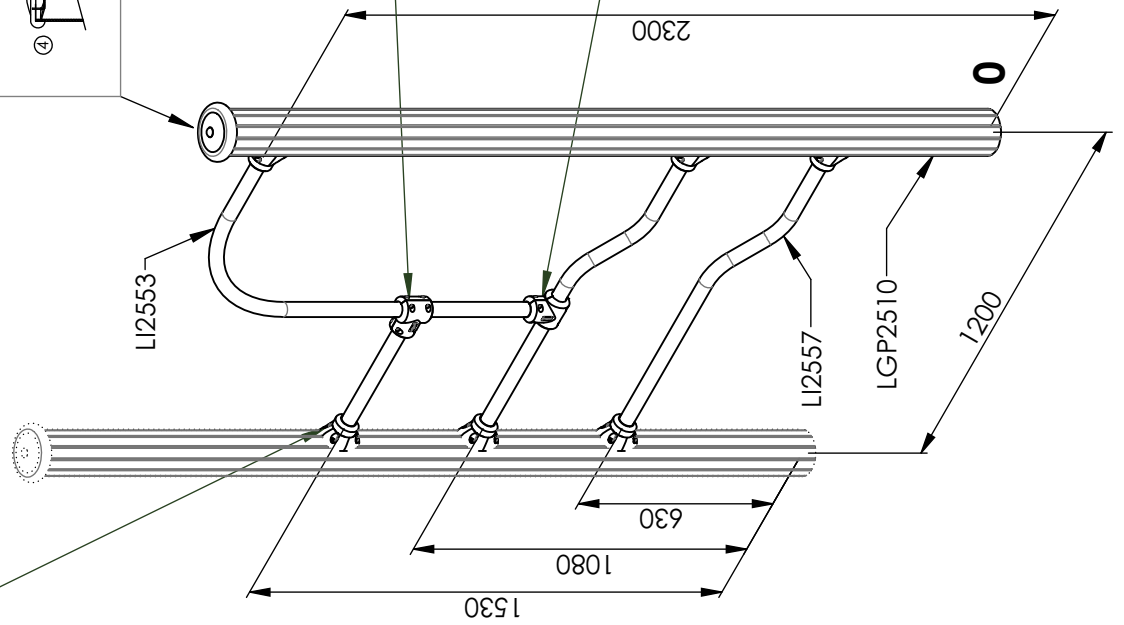
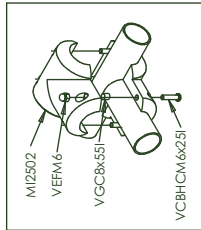
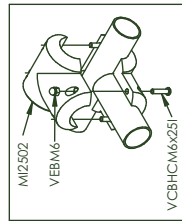
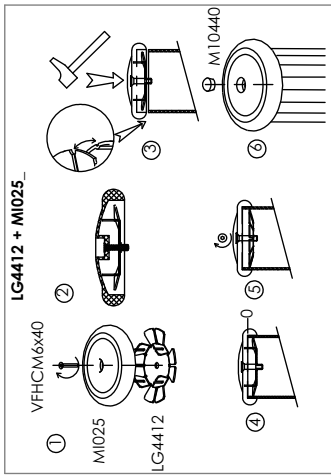
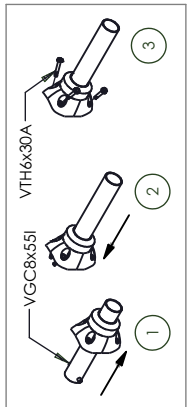


4x MI2502VX

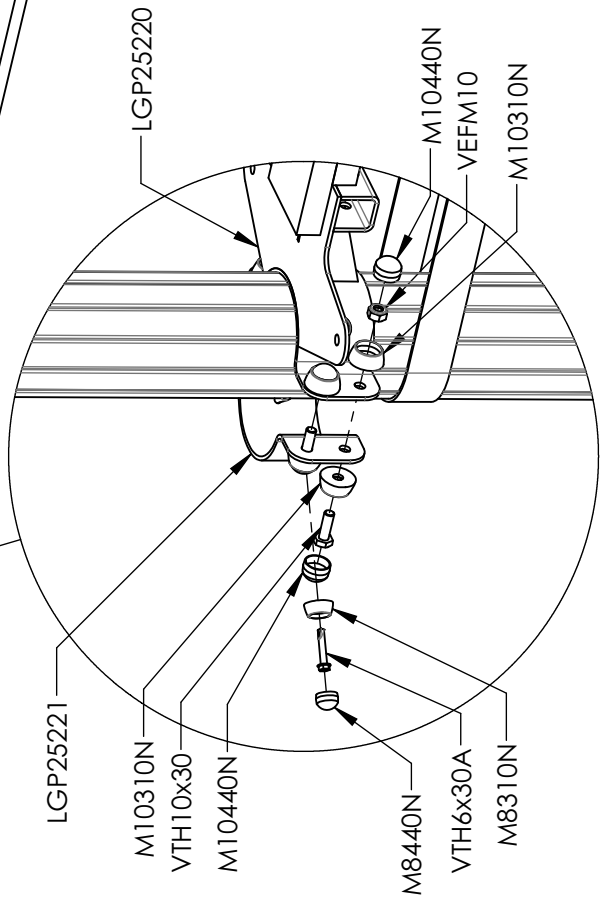
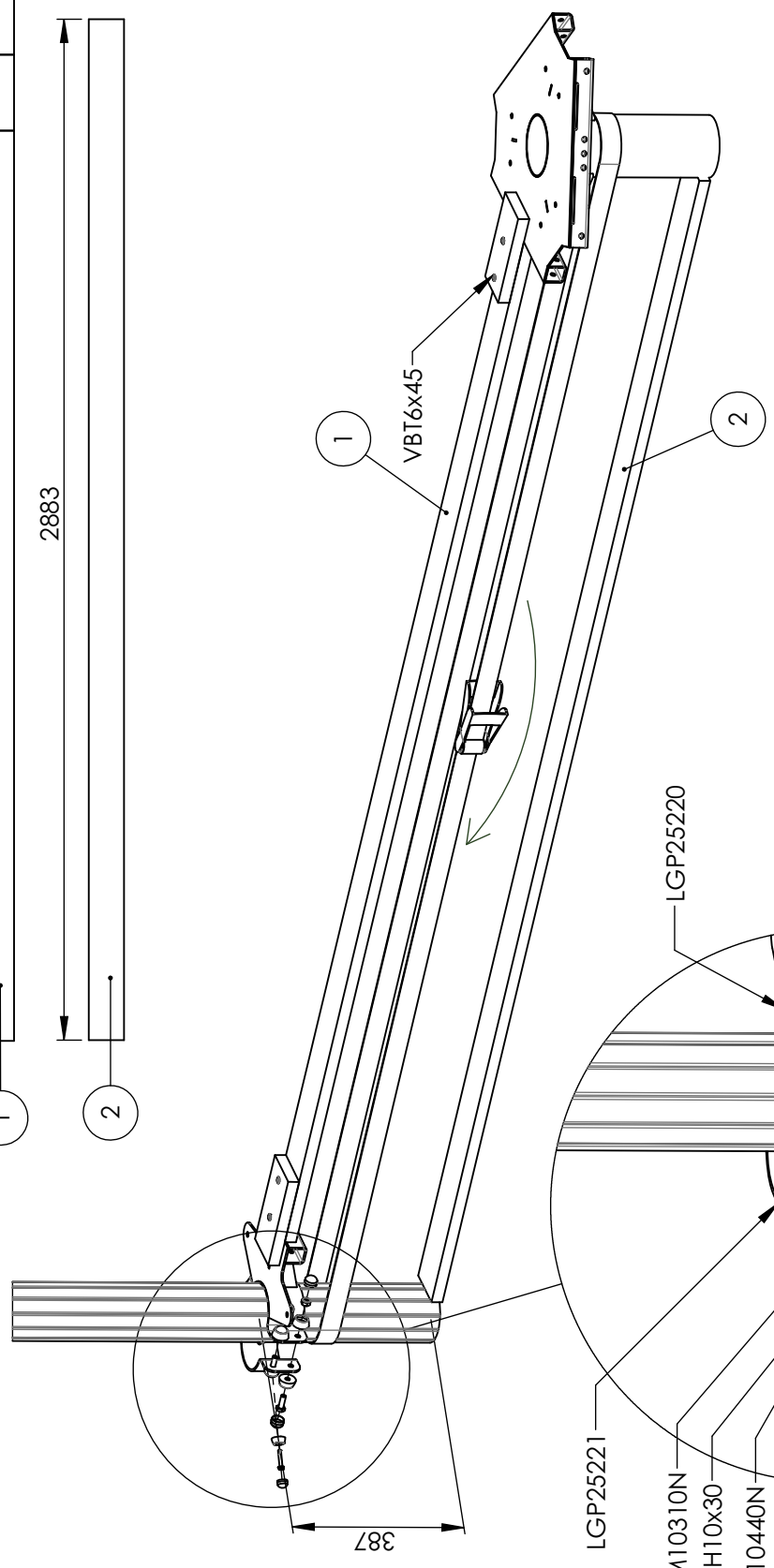
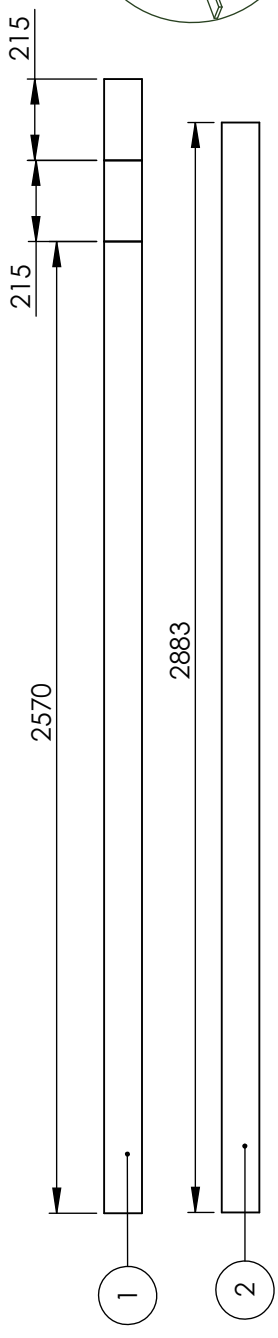


7x MI3701N

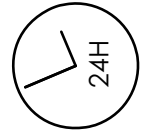
FT2598	1
FT2599	1
LG4412	1
LG4502	1
LG5403	1
LGP2510	1
LGP25220	1
LGP25221	1
LI035	4
LI2553	1
LI2557	2
LI45298	1
M11	13
M4040	8
M8310N	4
M8440N	4
M10310N	20
M10440N	19
MI025VX	1
MI32N	4
MI2502VX	4
MI2503N	2
MI3701N	7
U5409	1
VCBHC6M6x25I	8
VCBHC6M10x30I	8
VEBM6	8
VEFM10	17
VFHC6M6x40	1
VGC8x55I	8
VTH6x30A	32
VTH10x30	4
VTH10x60	1
VEFBM10	4



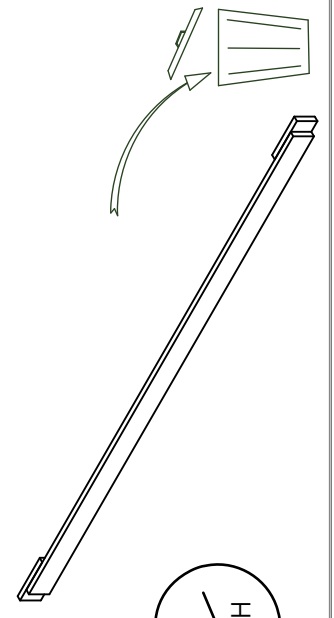
1

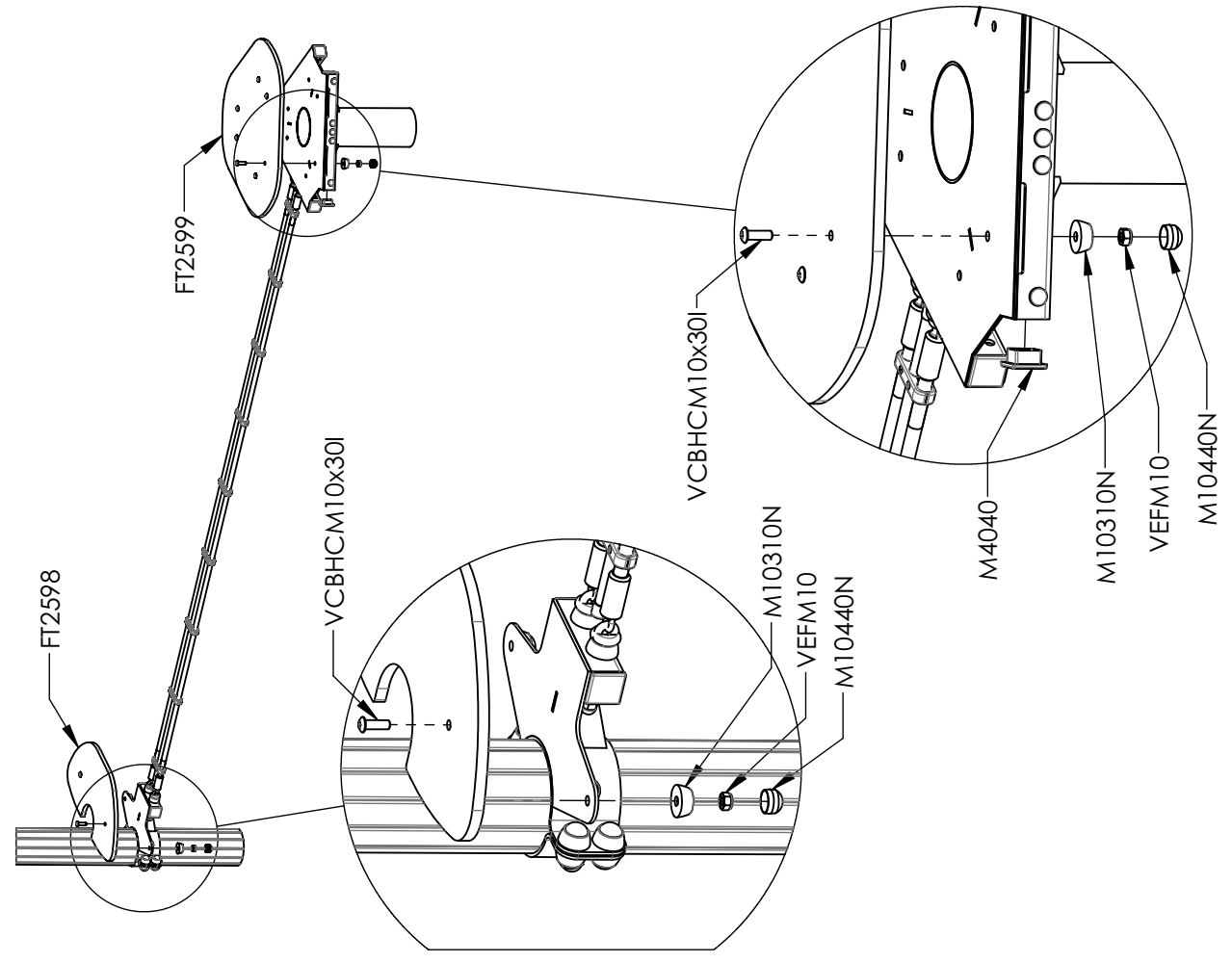
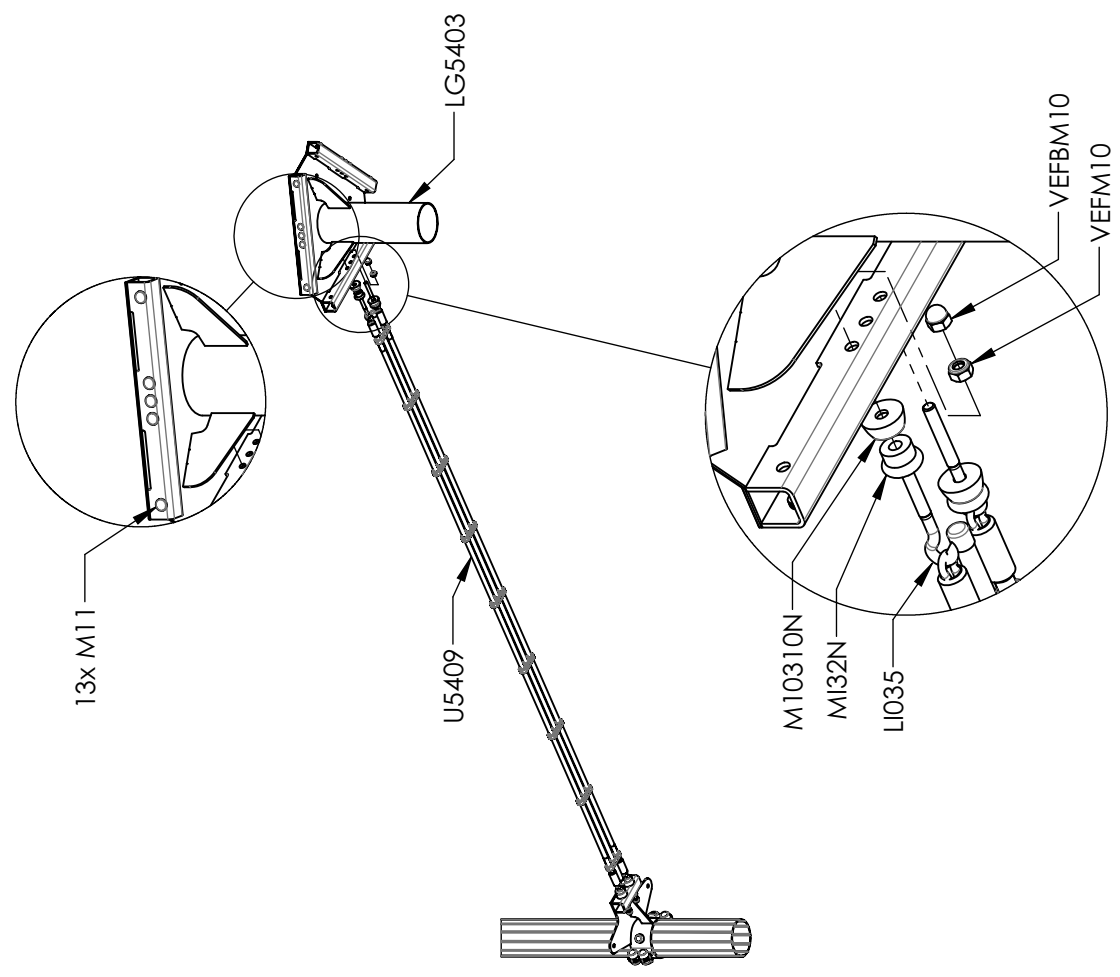


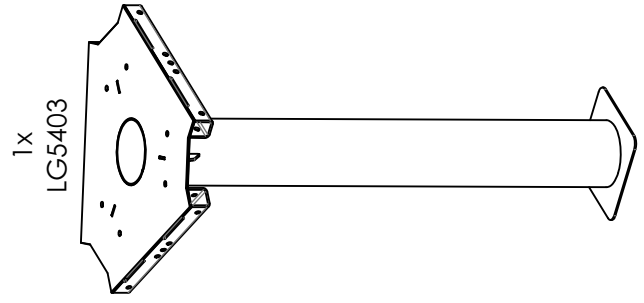
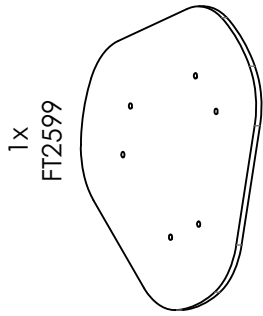
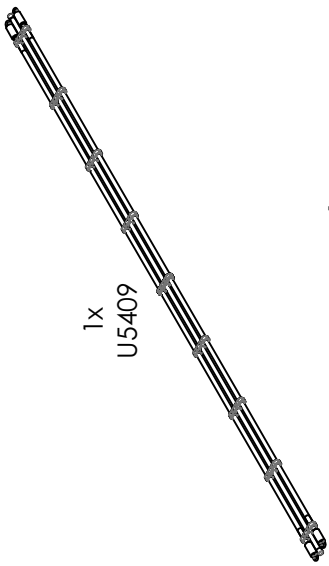
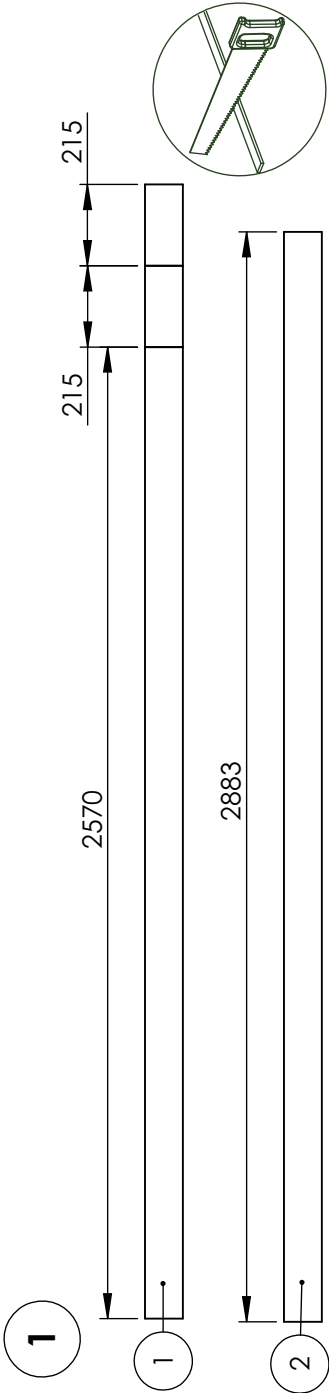
3



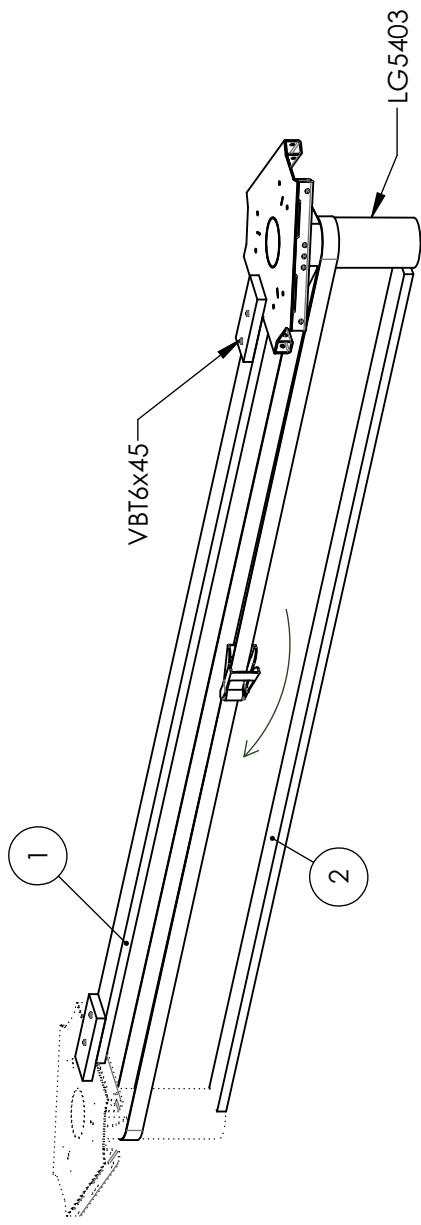
2







FT2599	1
LG5403	1
LI035	4
M11	13
M4040	6
M10310N	10
M10440N	6
M132N	4
U5409	1
VCBHC10x30I	6
VEFM10	10
VEFBM10	4



**2**

**3**

