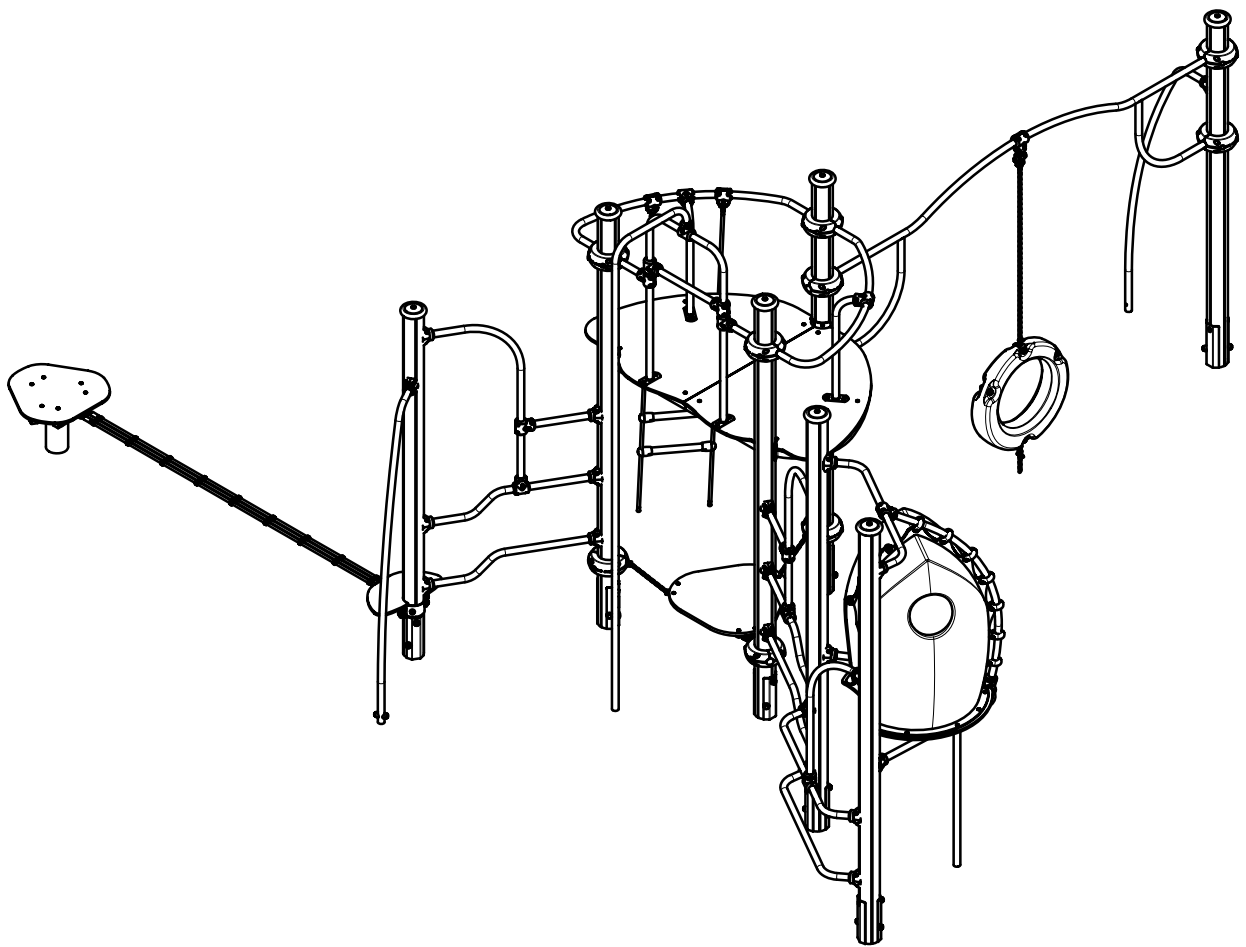


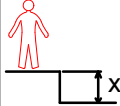
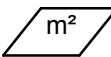
# J2583

*ProLudic*





*Pro ludic*

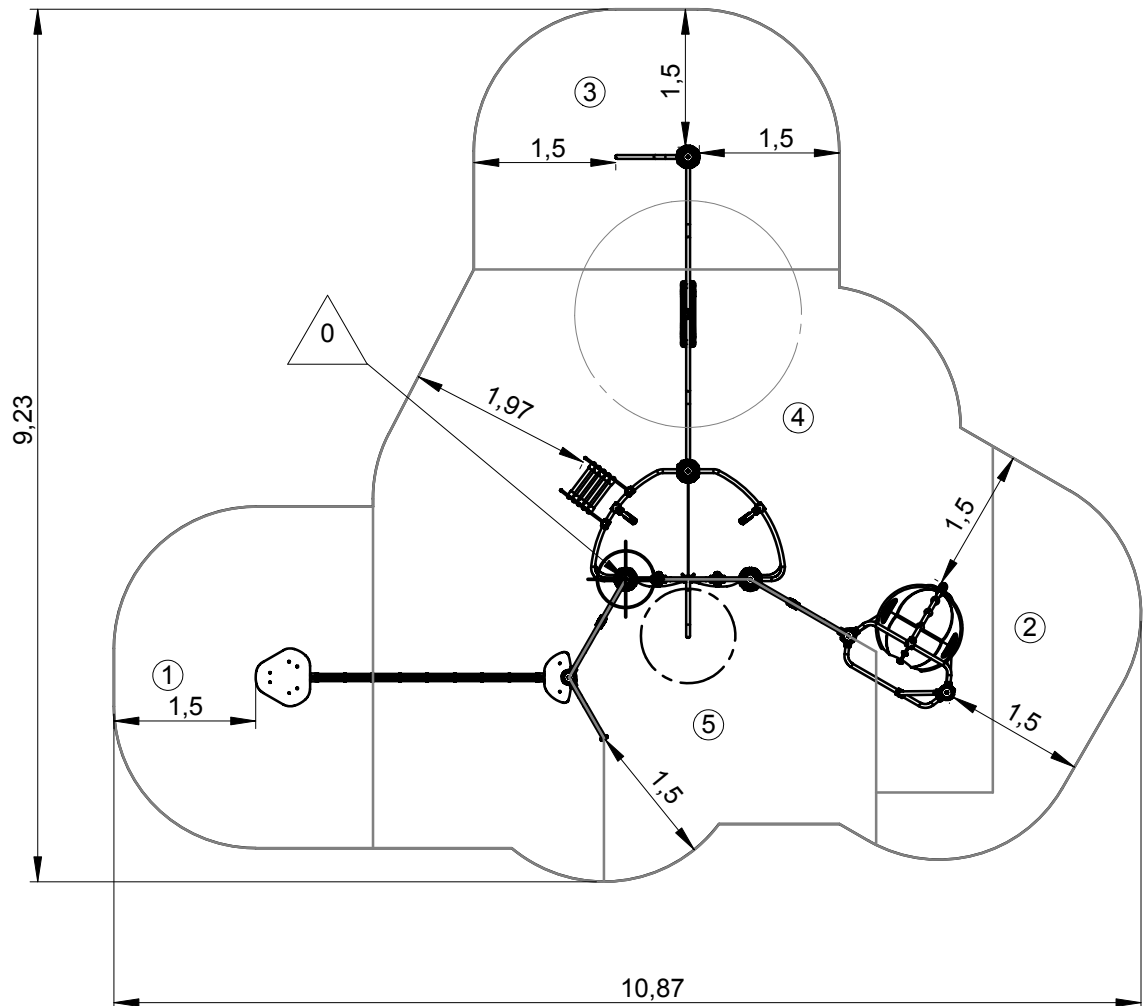
N°		
1	0.4 m	9 m <sup>2</sup>
2	1.3 m	5.5 m <sup>2</sup>
3	1.5 m	10 m <sup>2</sup>
4	1.95 m	29 m <sup>2</sup>
5	2.2 m	8 m <sup>2</sup>

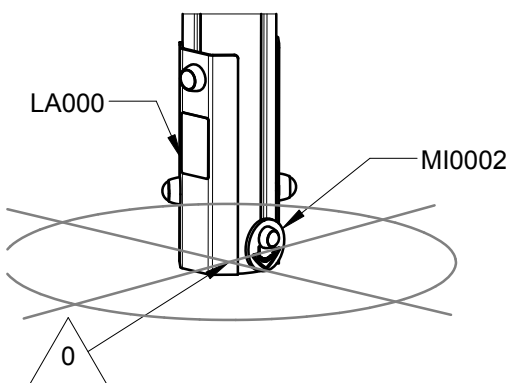
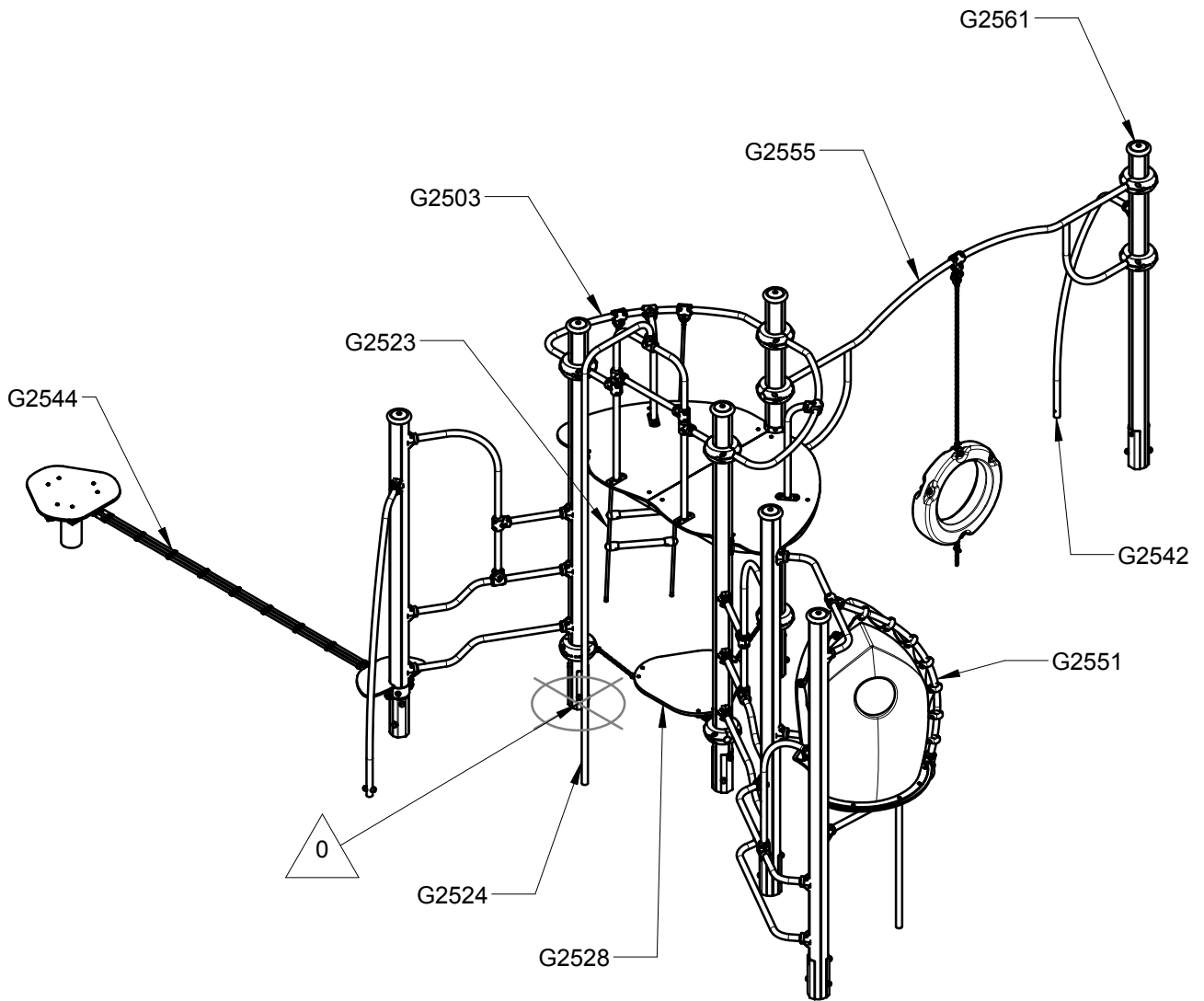
— Zone d'impact  
Impact area  
Area de impacto  
Fallraum  
Valzone

- - - Espace libre  
Free space  
Espacio libre  
Freiraum  
Vrije ruimte

△ 0 Point de référence  
Setting out point  
Punto de referencia  
Bezugspunkt  
Referentiepunt

EN1176-1 : 2017

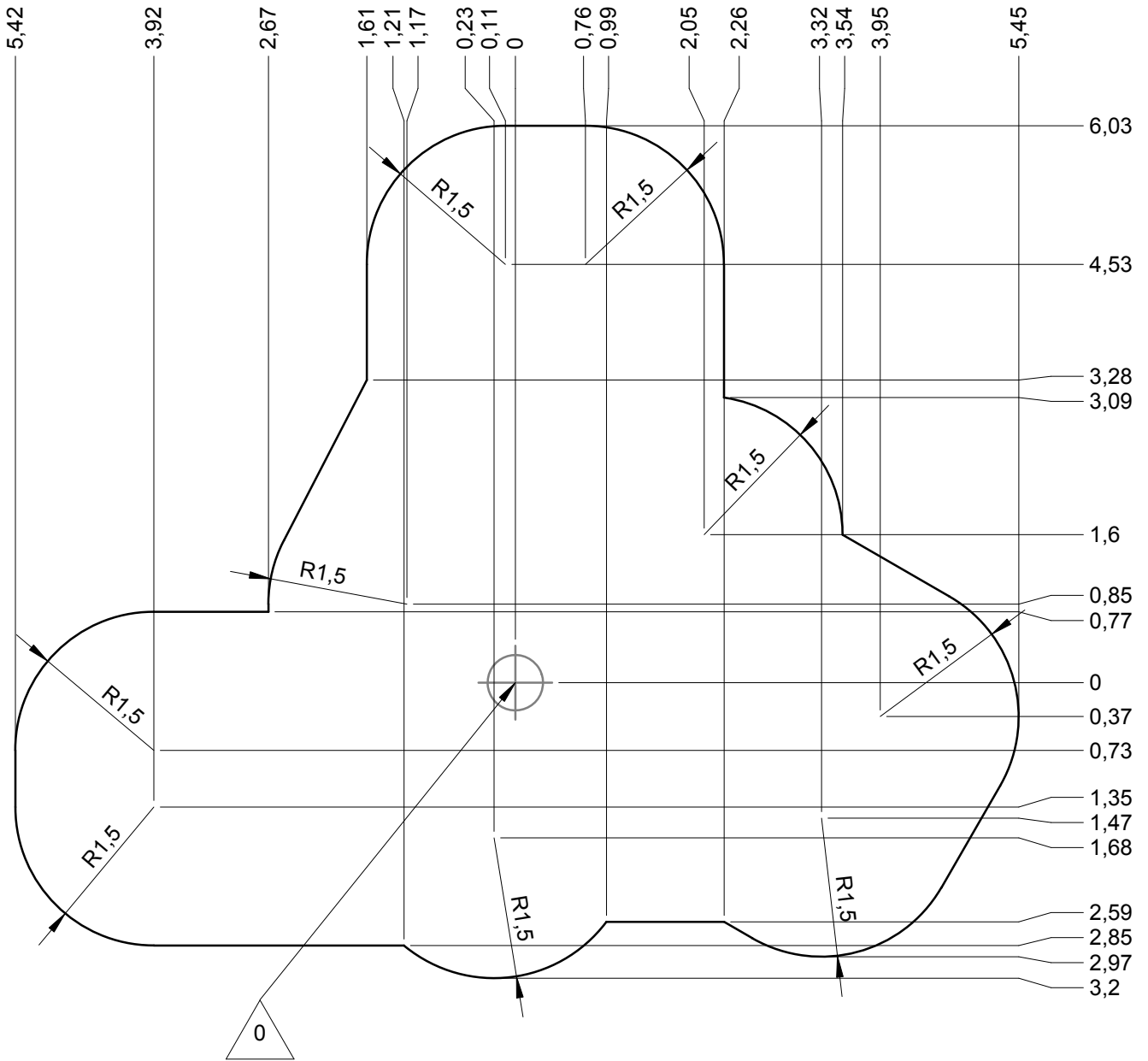




G2503	1
G2523	1
G2524	1
G2528	1
G2542	1
G2544	1
G2551	1
G2555	1
G2561	1
LA000	1
M8310N	1
M8440N	1
MI0002	1
VTF10x60	1

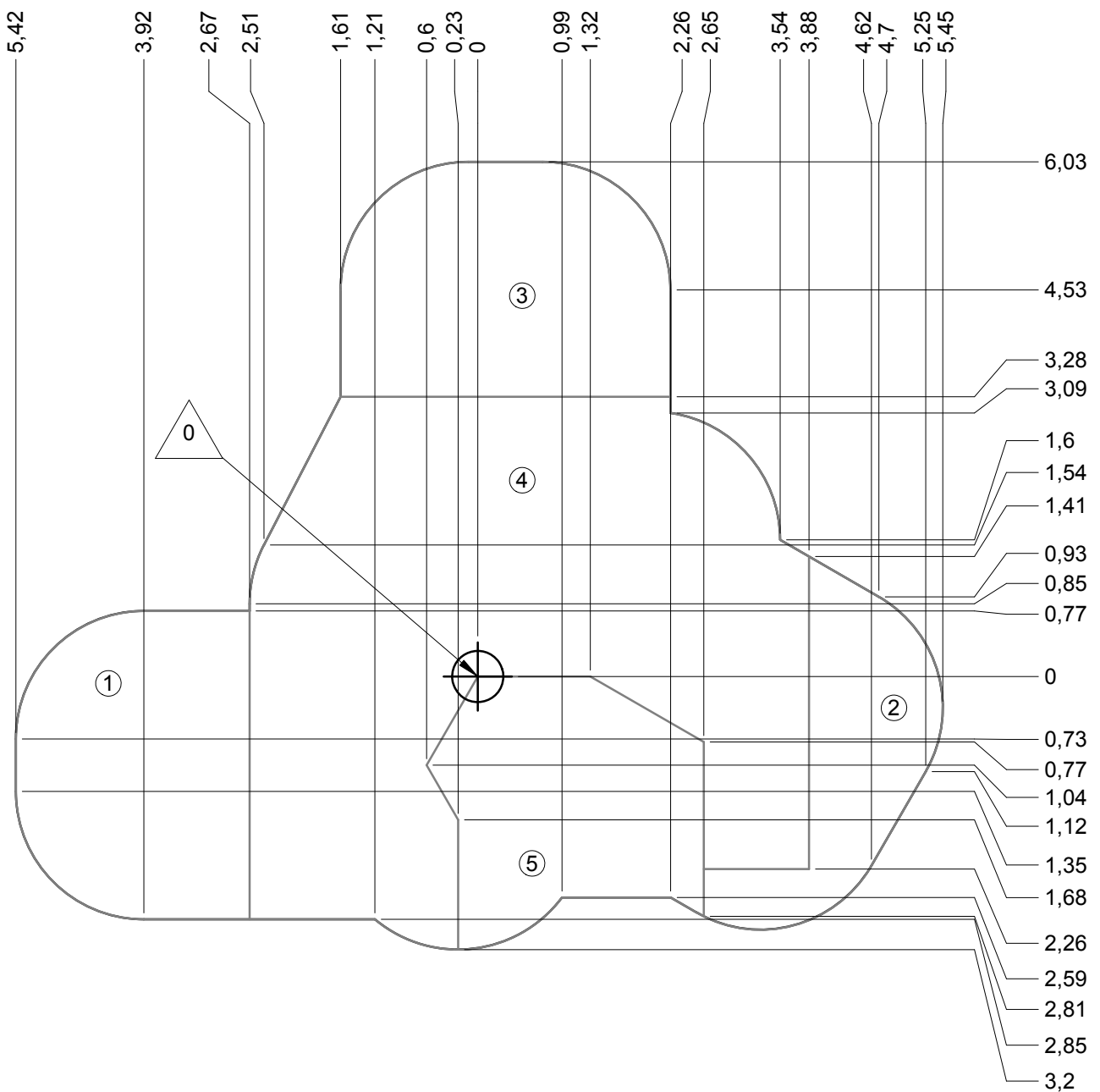
— Zone d'impact  
 Impact area  
 Area de impacto  
 Fallraum  
 Valzone

61.5 m<sup>2</sup>



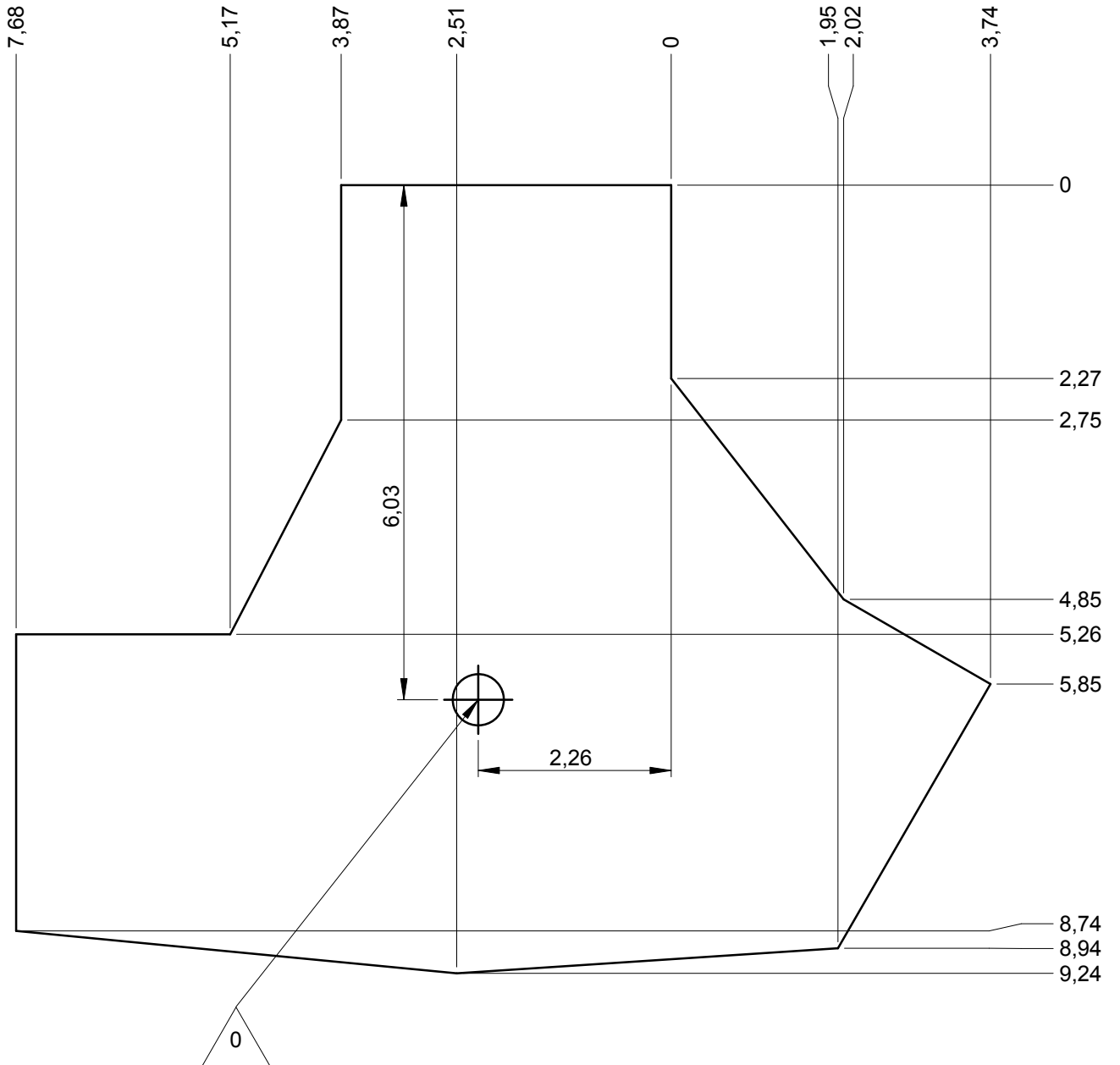
— Sol souple  
 Wetpour  
 Caucho continuo  
 Synthetischer fallschutz  
 Gietvloer

61.5 m<sup>2</sup>

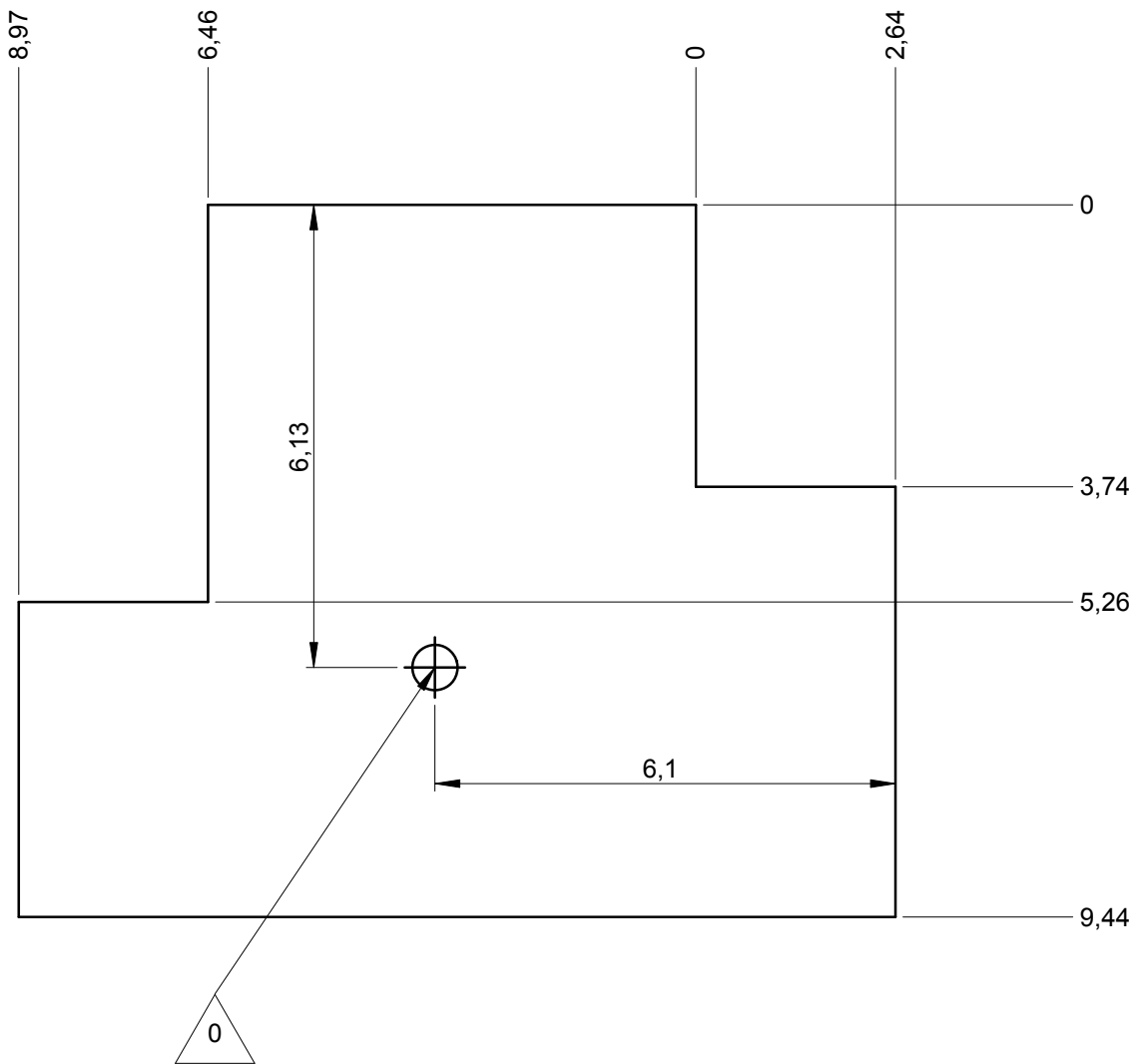


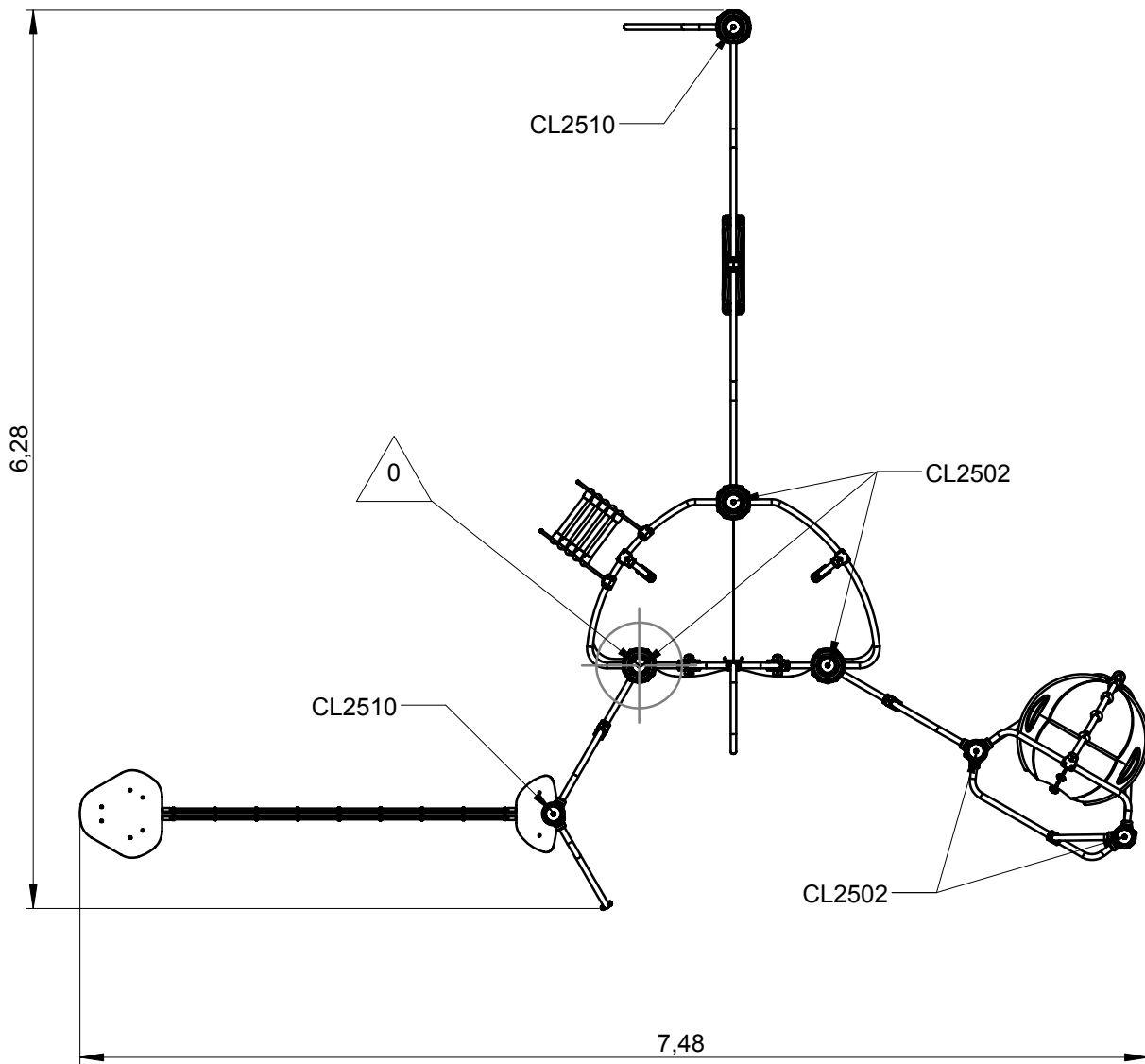
— Dalle béton  
 Concrete pad  
 Solera de hormigon  
 Beton bodenplatte  
 Betonnen bodemplaat

37 m  
 65.5 m<sup>2</sup>

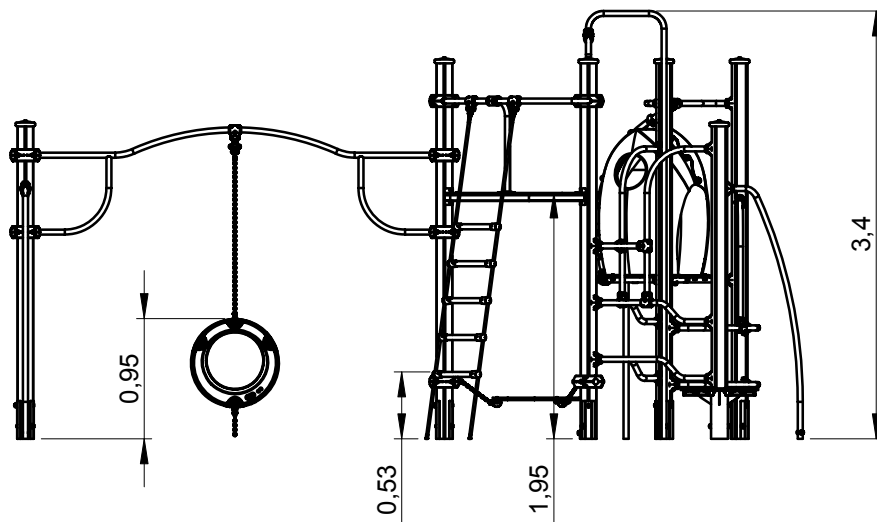
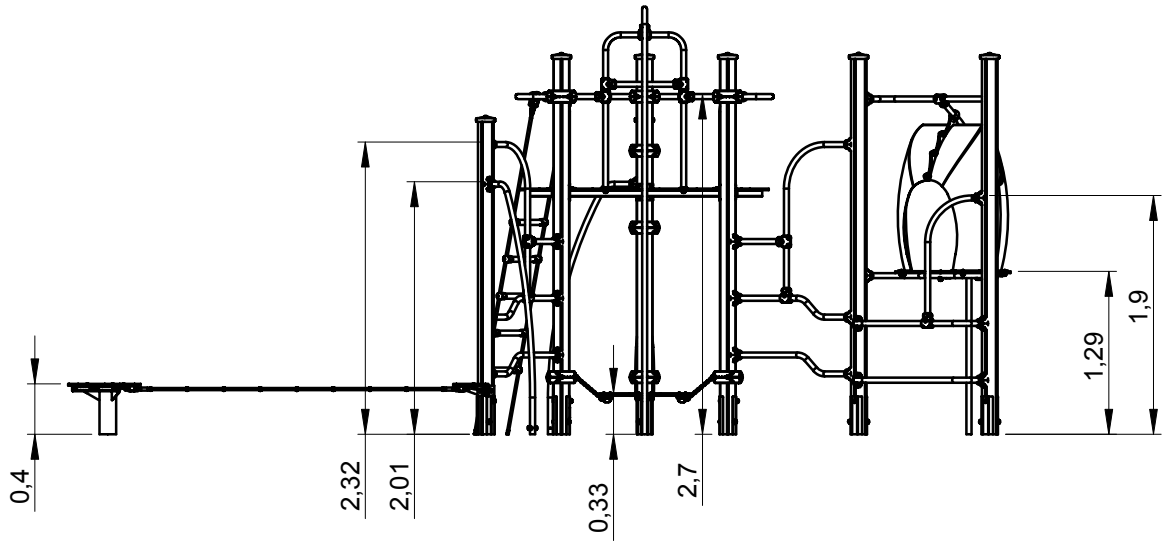


— Sol fluent  
 Loos partucule material 43 m  
 Arenero  
 Loses Bodenmaterial 87 m<sup>2</sup>  
 Los bodemmaterial

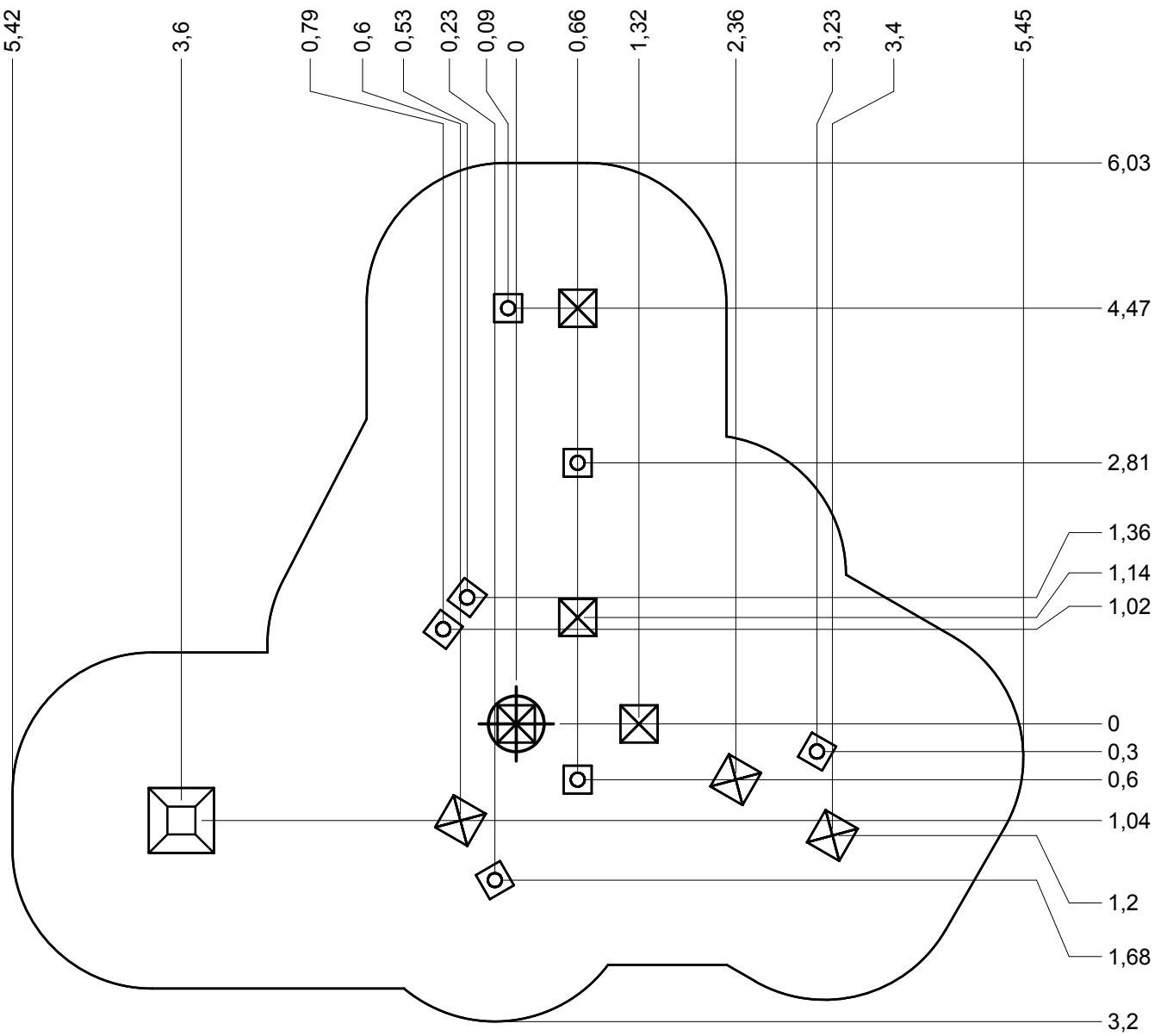




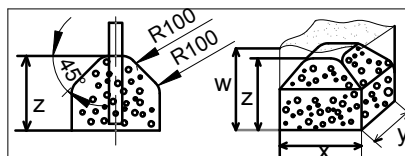







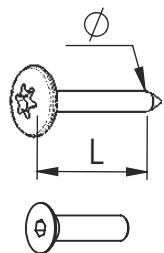
Implantation  
 Footing plan  
 Implantación  
 Fundomentplan  
 Funderingstekening



 x2  
 8H  
 1.1 m<sup>3</sup>



	x	y	z	w
	0.3	0.3	0.3	0.6
	0.4	0.4	0.3	0.7
	0.7	0.7	0.5	0.7



VBT 6 x 30  
 $\varnothing$   $\uparrow$  L (mm)

VFHC



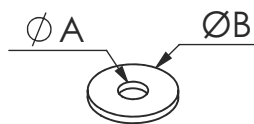
VEC M10  
 $\varnothing$



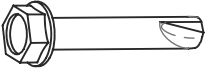
VEF




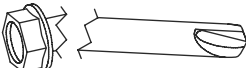
VEB



VR6x18  
 $\varnothing A$   $\varnothing B$




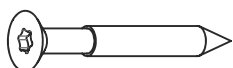
VTHA

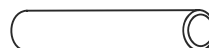
**1000 - 1800 tr/min**  
 Vitesse de rotation  
 Rotation speed

**14 N.m**  
 Couple de rupture  
 Torque of break

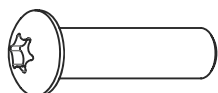




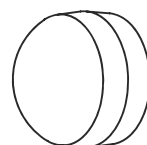
VWT



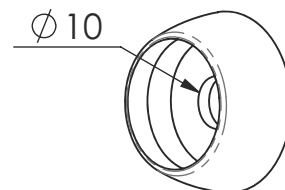
VGC



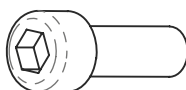
VCBHC



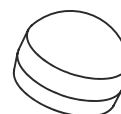
M10 440N



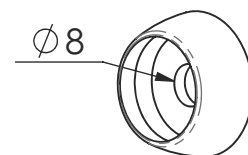
M10 310 N



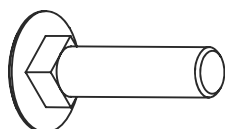
VBTR



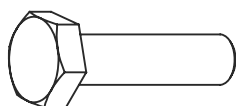
M8440N



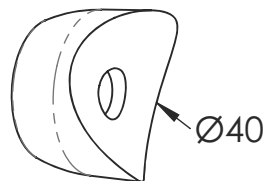
M8310N



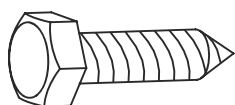
VTRCC



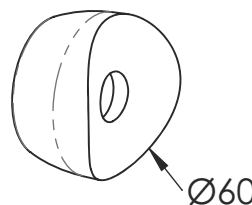
VTH



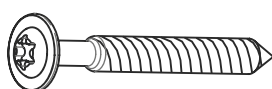
MI2503



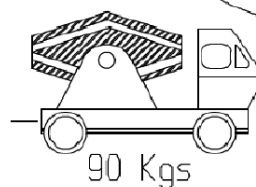
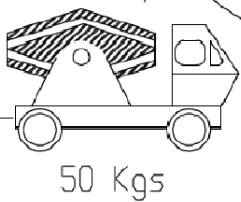
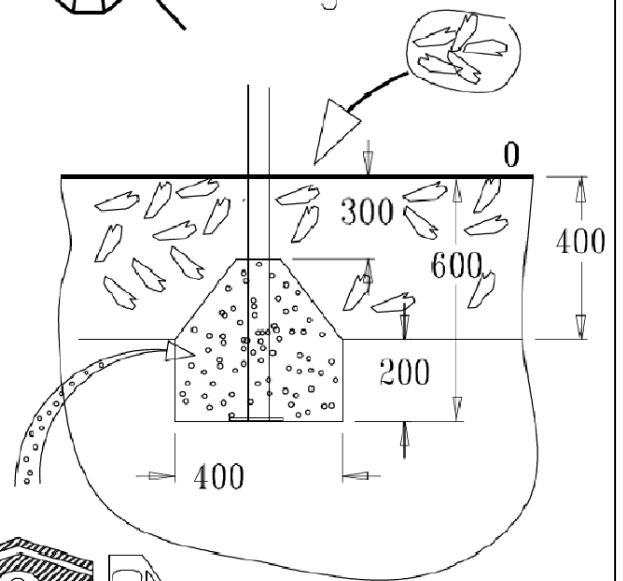
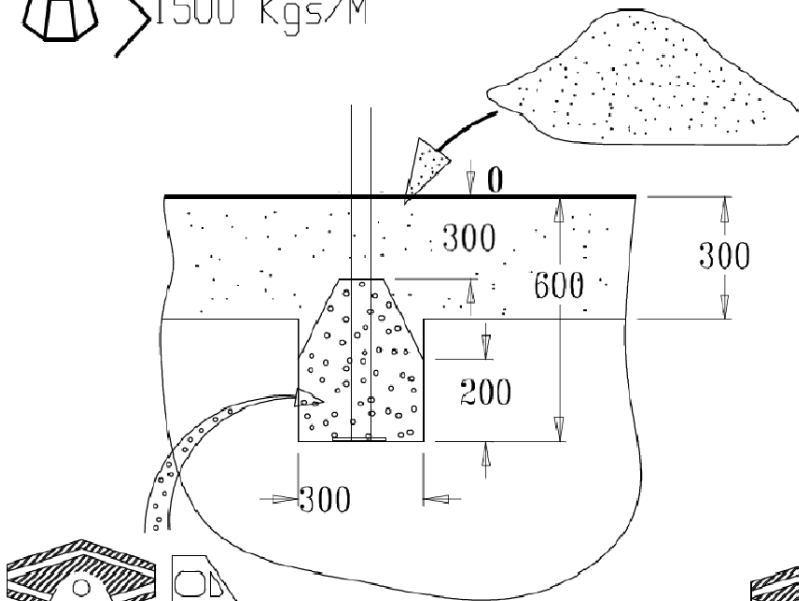
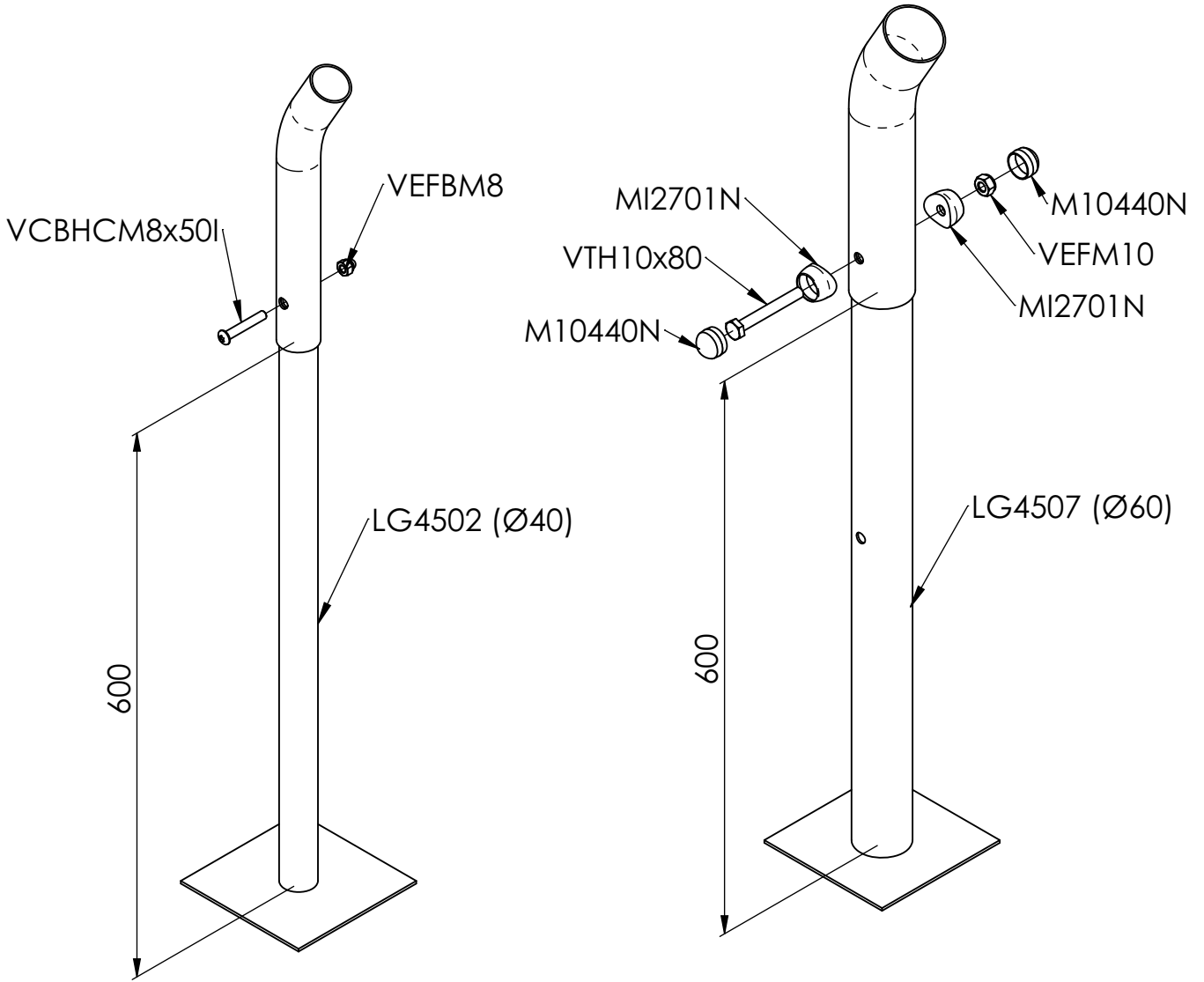
VTF

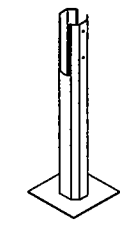
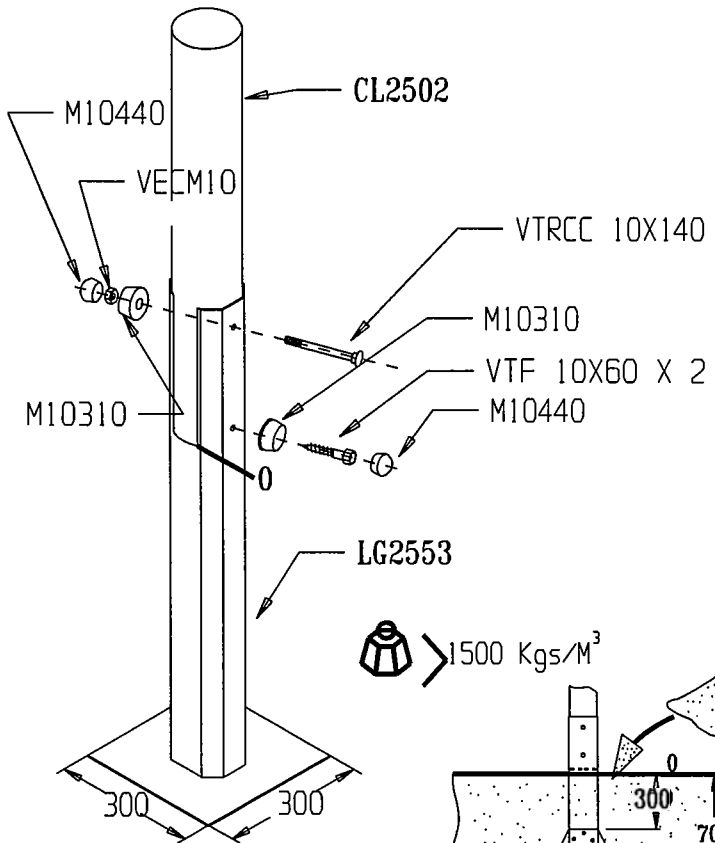


MI2701



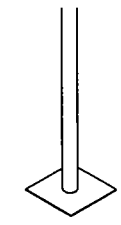
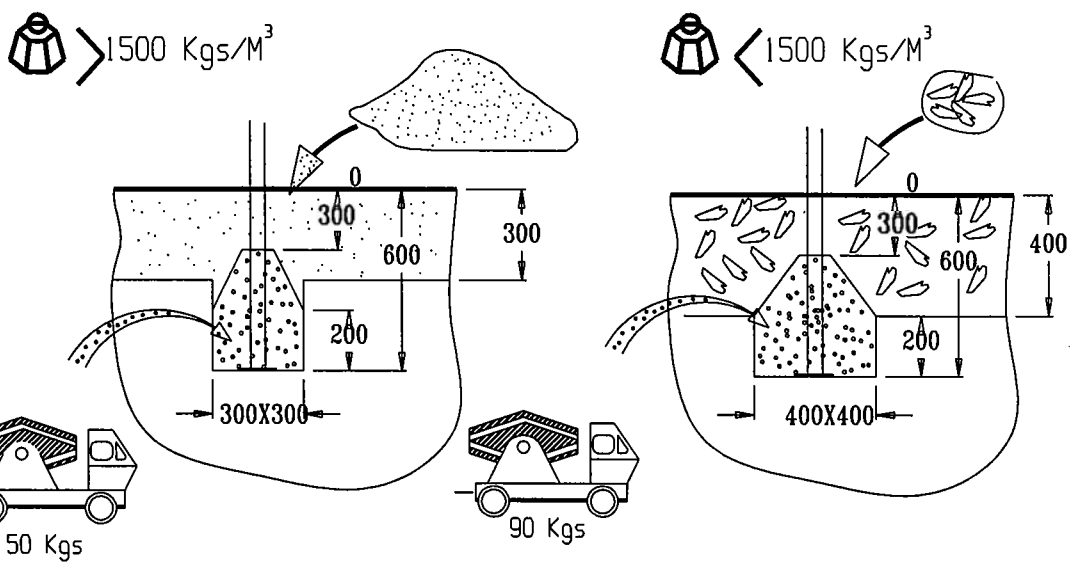
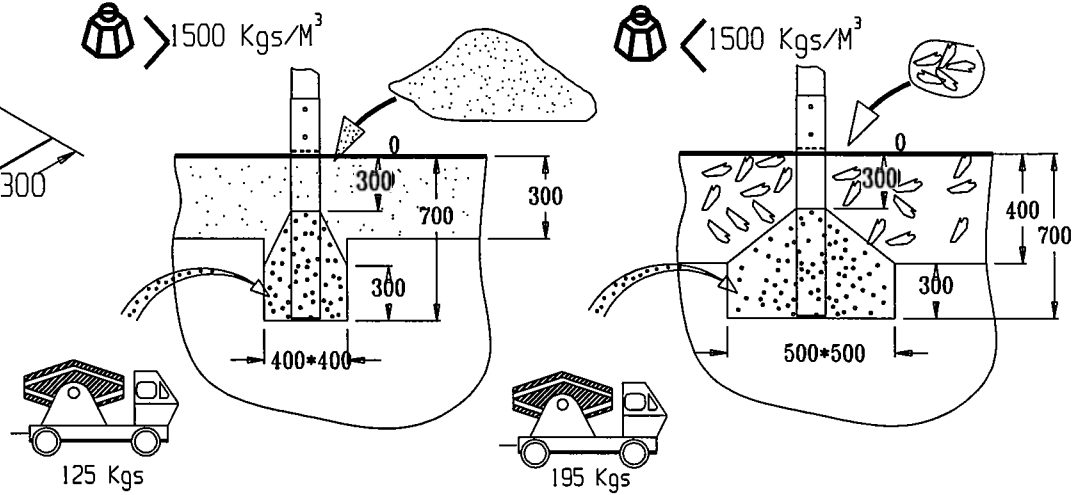
VBT



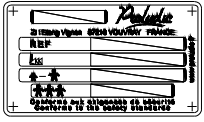


LG2553 X 1

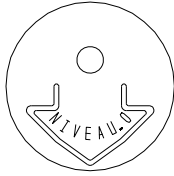
	VTRCC 10x140	1
	VECM10	1
	VTF 10x60	2
	M10310	3
	M10440	3



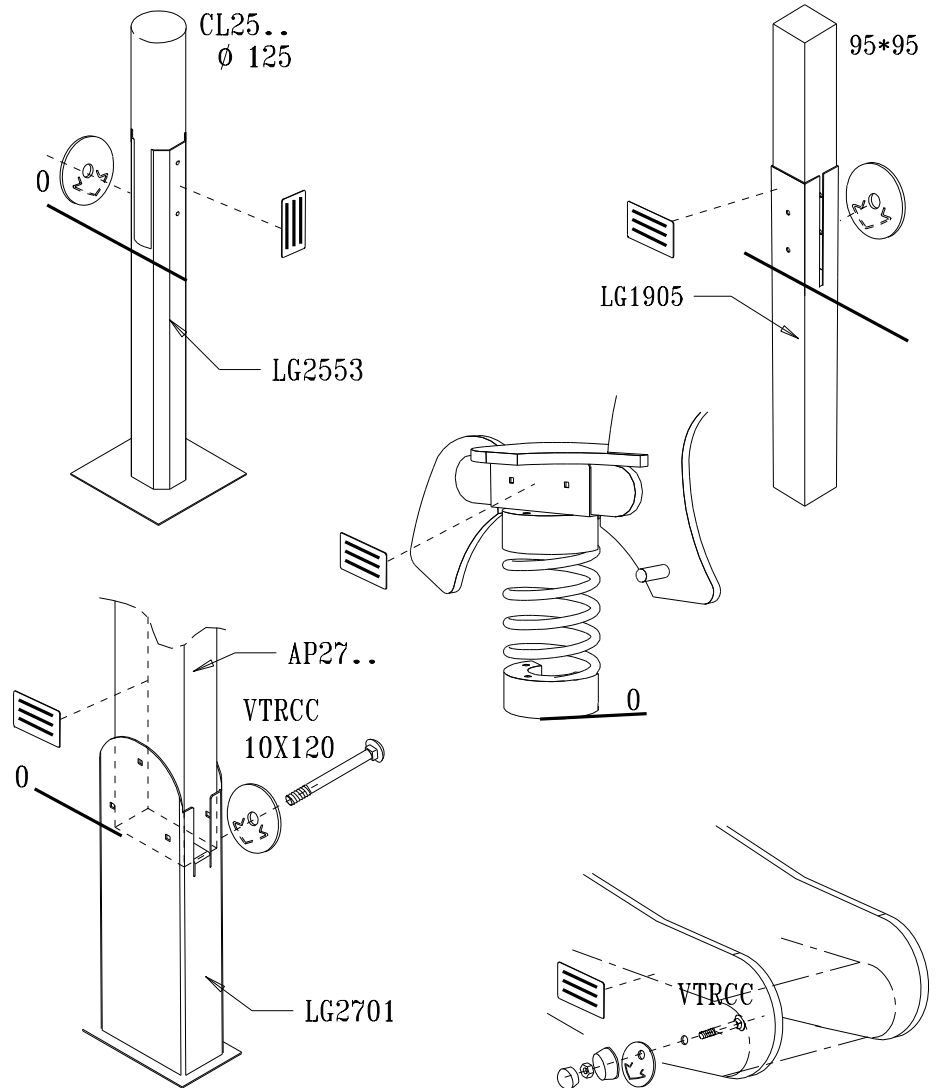
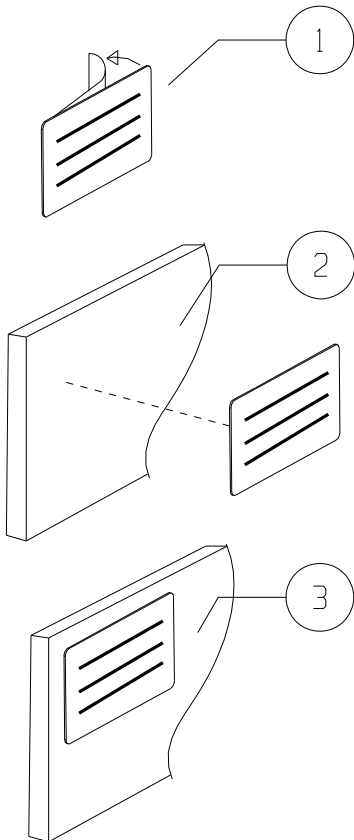
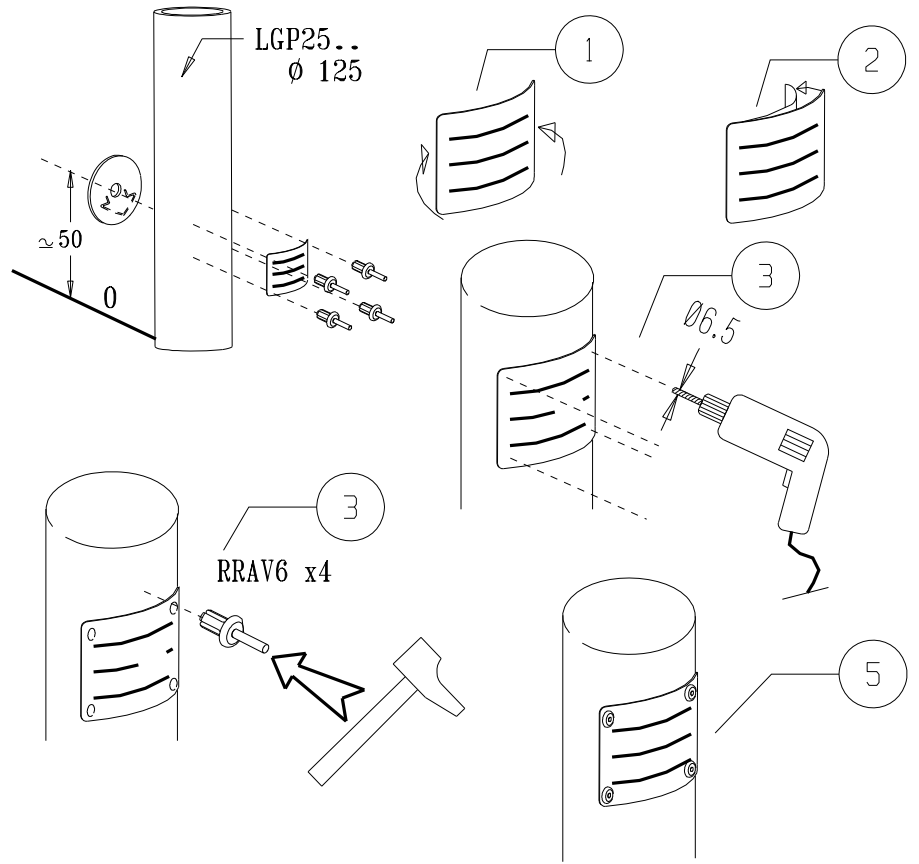
LI..... X 1

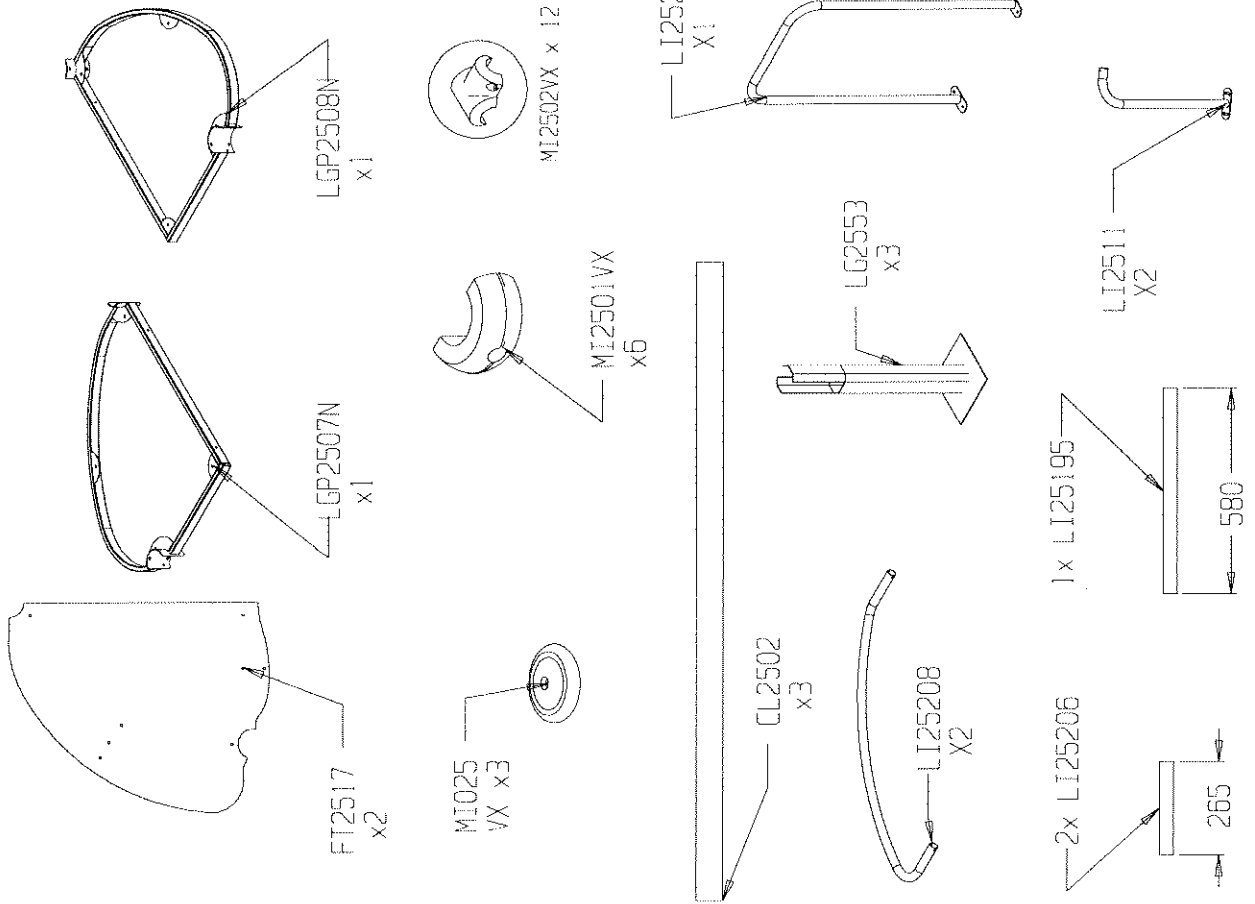
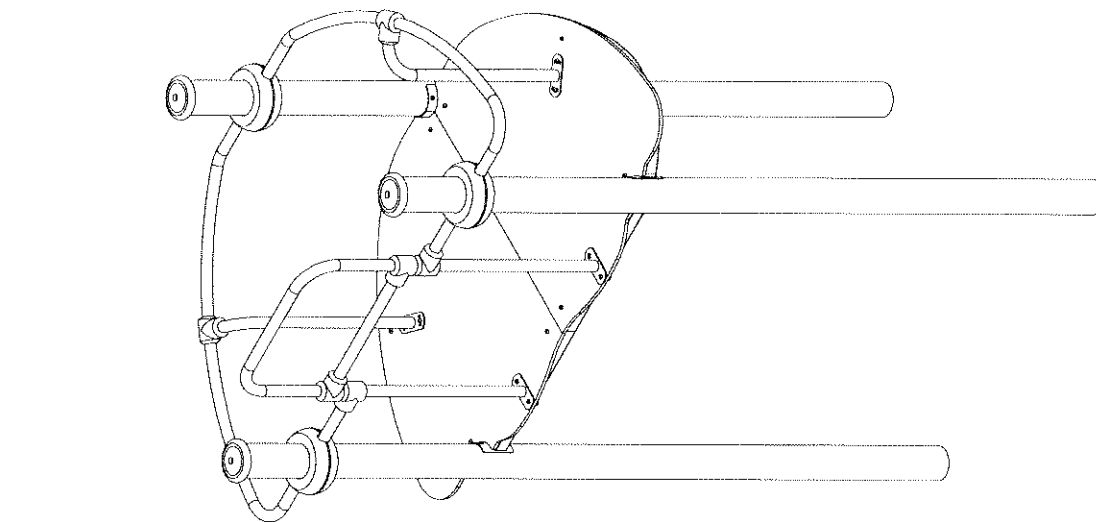


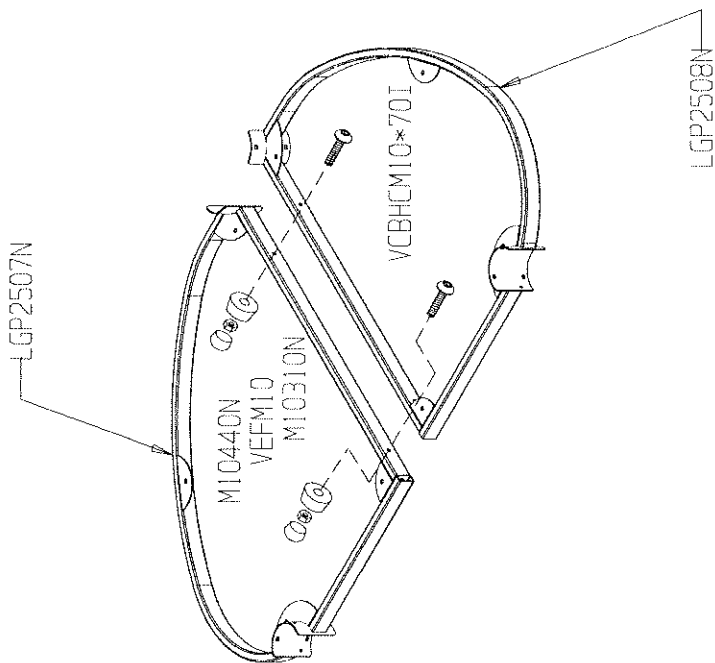
LA000



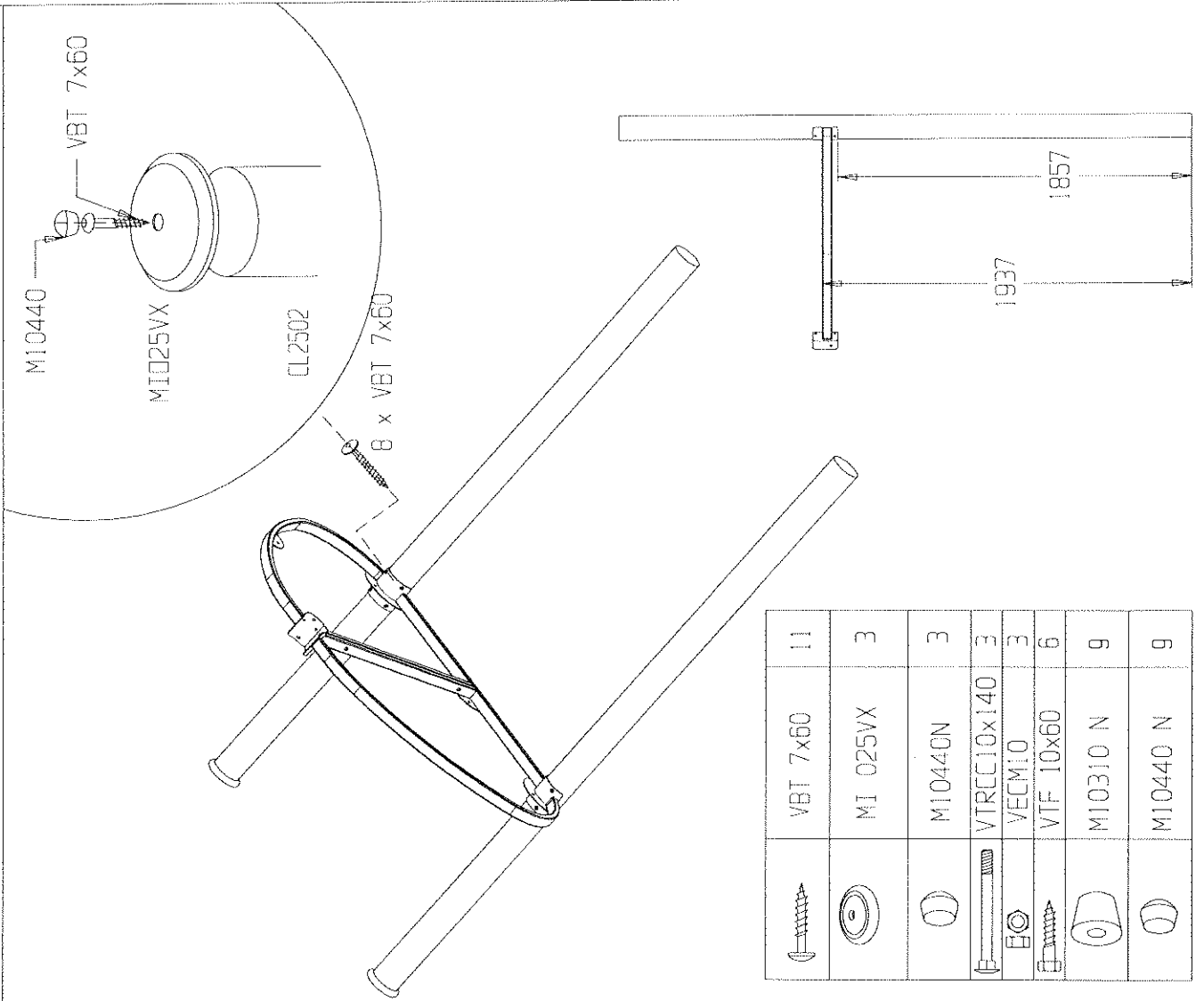
MI0002





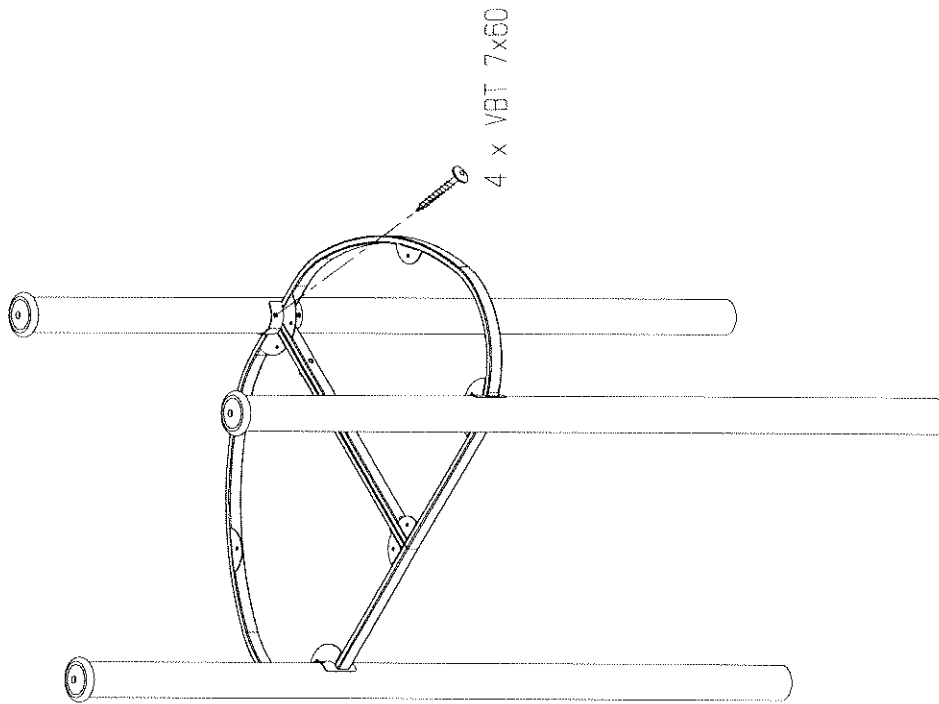


	M10310N	2
	M10440N	2
	VCBHCMI0*70I	2
	VEFM10	2

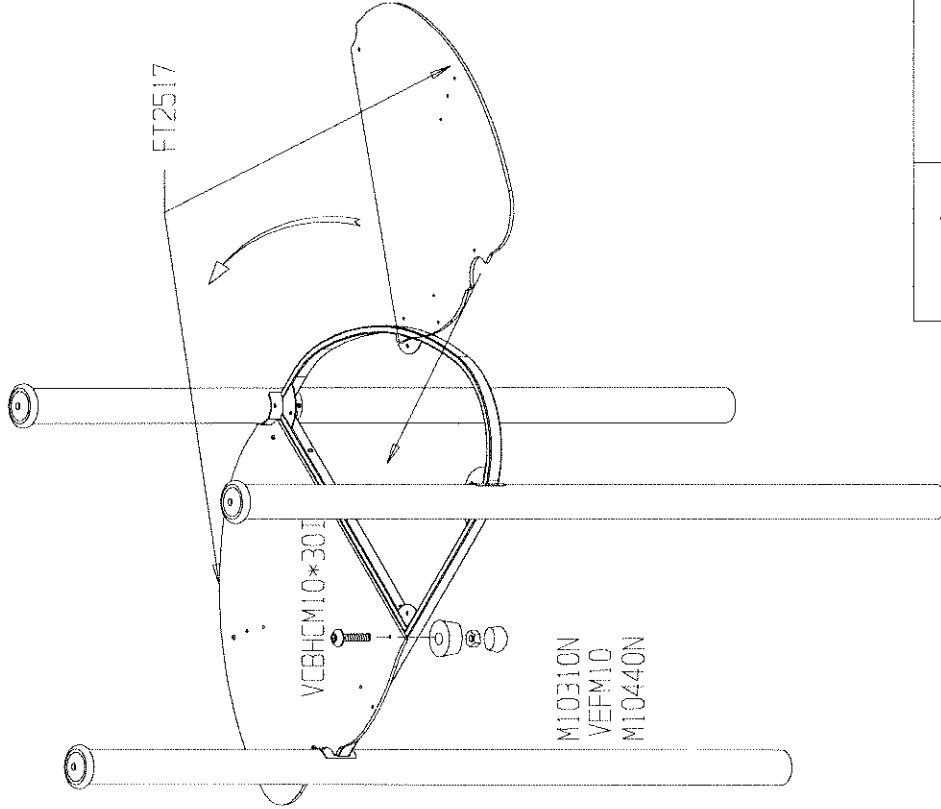


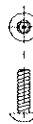



	VBT 7x60	11
	MI 025VX	3
	M10440N	3
	VTRCC10x140	3
	VECM10	3
	VTF 10x60	6
	M10310 N	9
	M10440 N	9

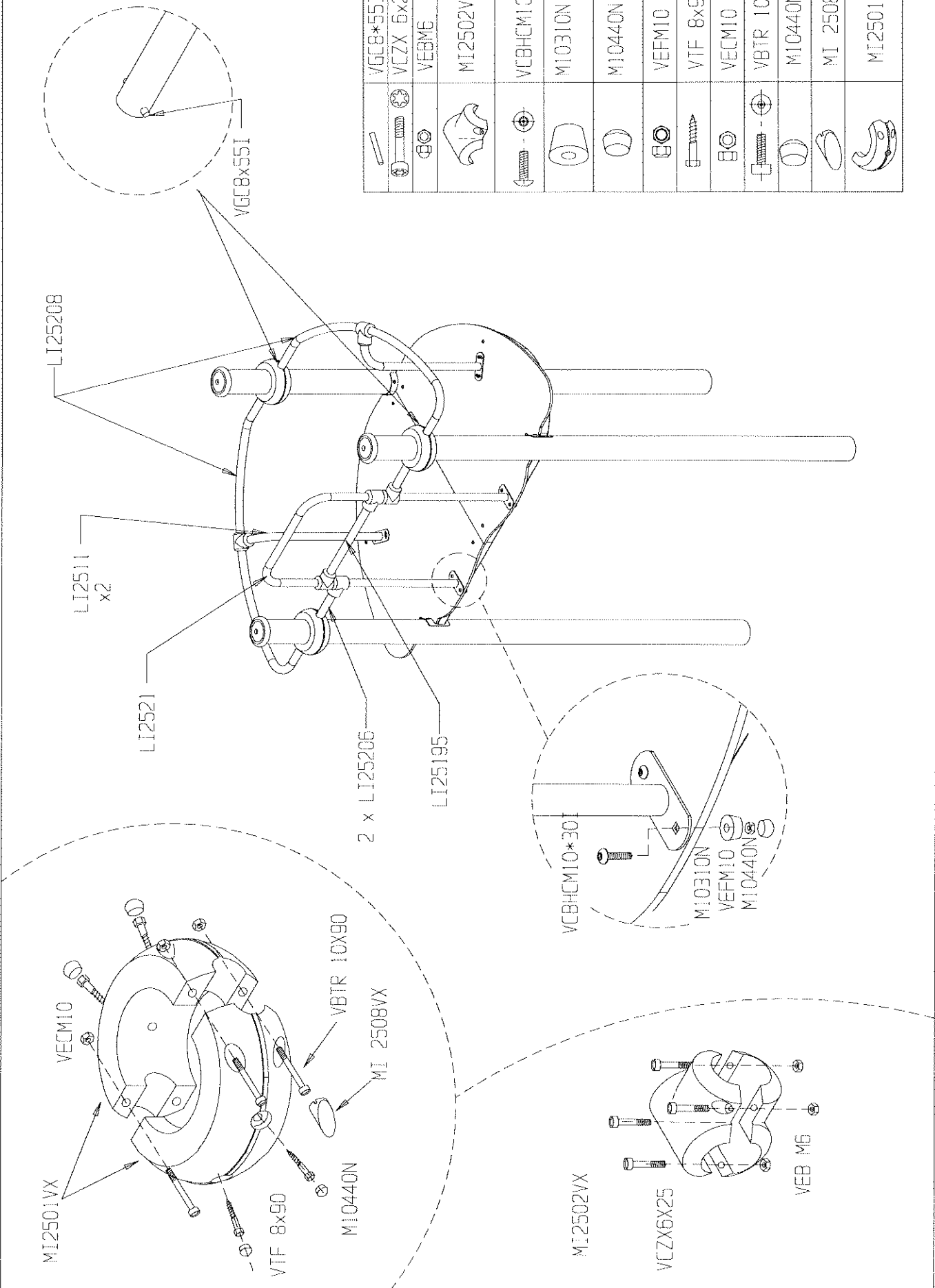




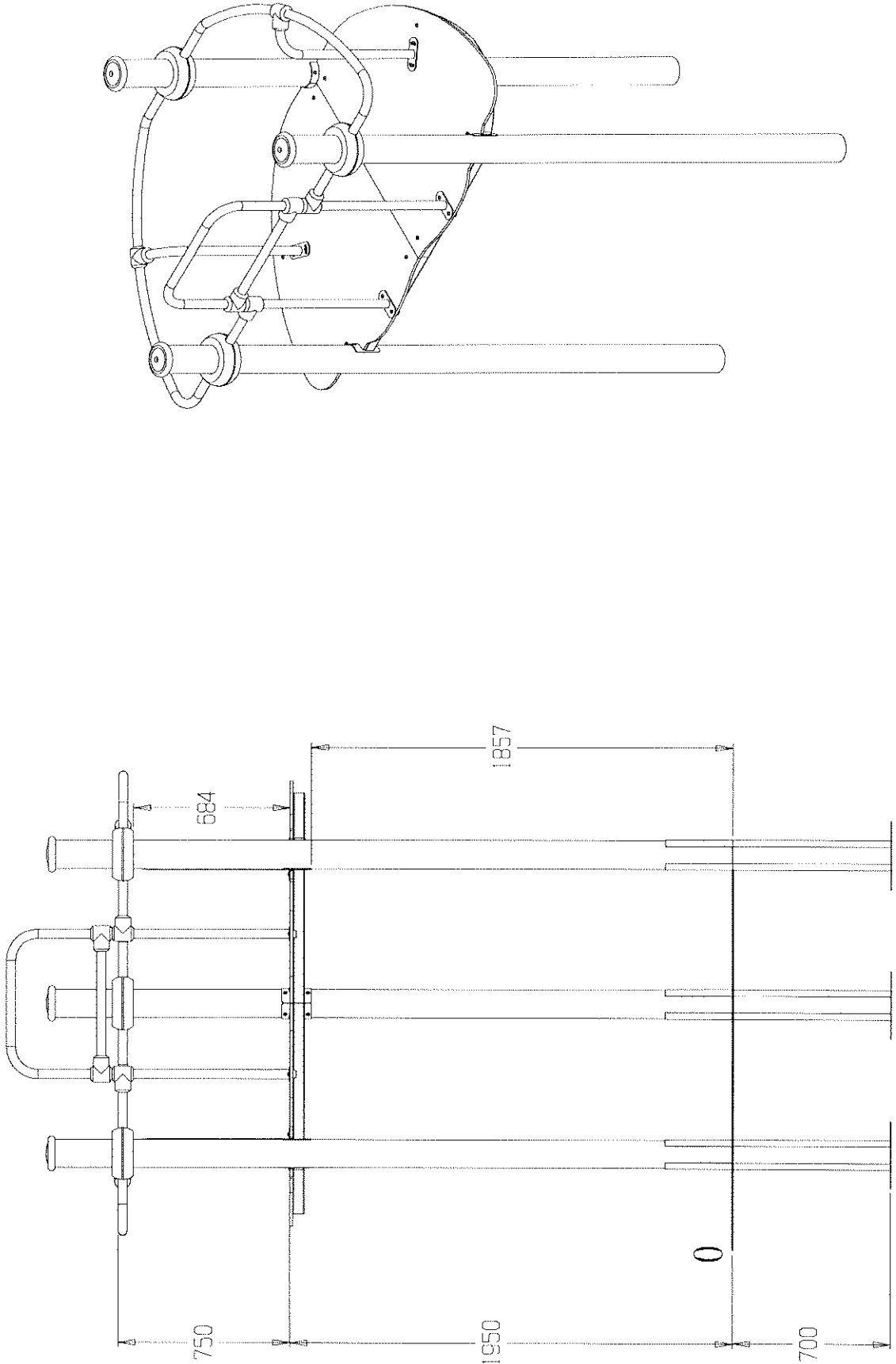
	VBT 7x60	4
---	----------	---

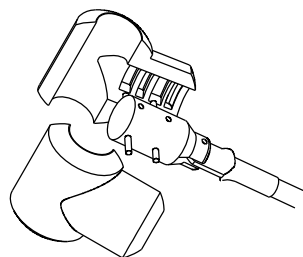
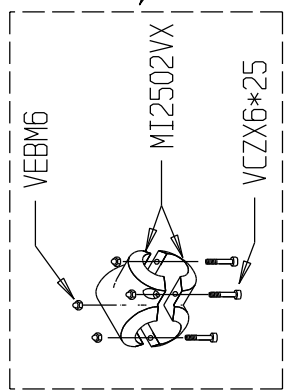


	VCBHC10*30I	8
	M10310N	8
	M10440N	8
	VEFM10	8

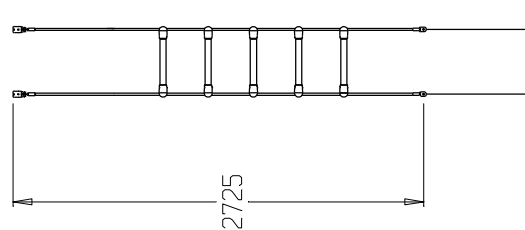
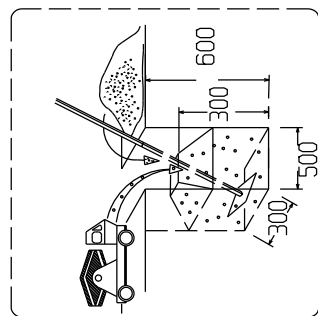
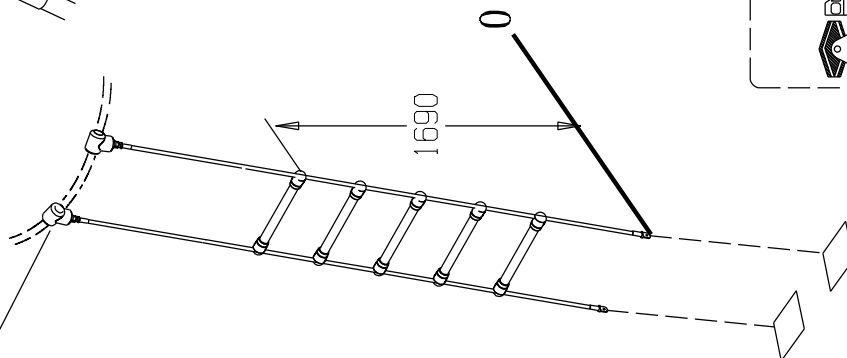
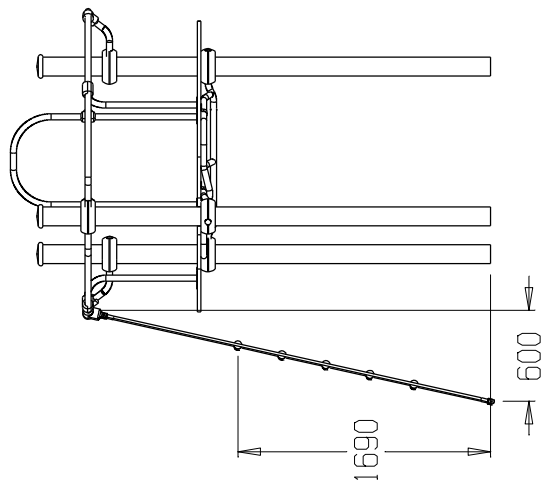


	VGC8*55I	4
	VCZX 6x25	24
	VEBM6	24
	MI2502VX	12
	VCBHCMI0*30I	10
	M10310N	10
	M10440N	10
	VEFM10	10
	VTF 8x90	12
	VECM10	12
	VBTR 10x90	12
	M10440N	12
	MI 2508VX	24
	MI2501VX	6



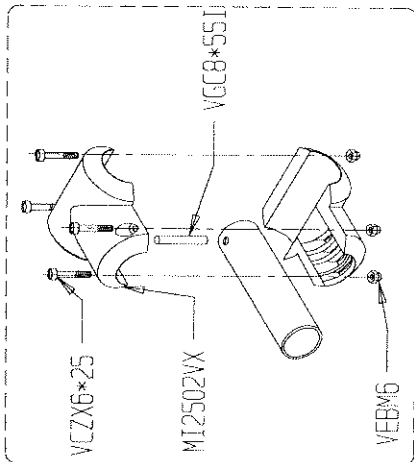


MI2502VX X 4



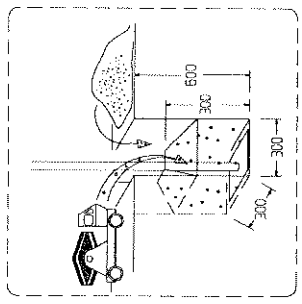
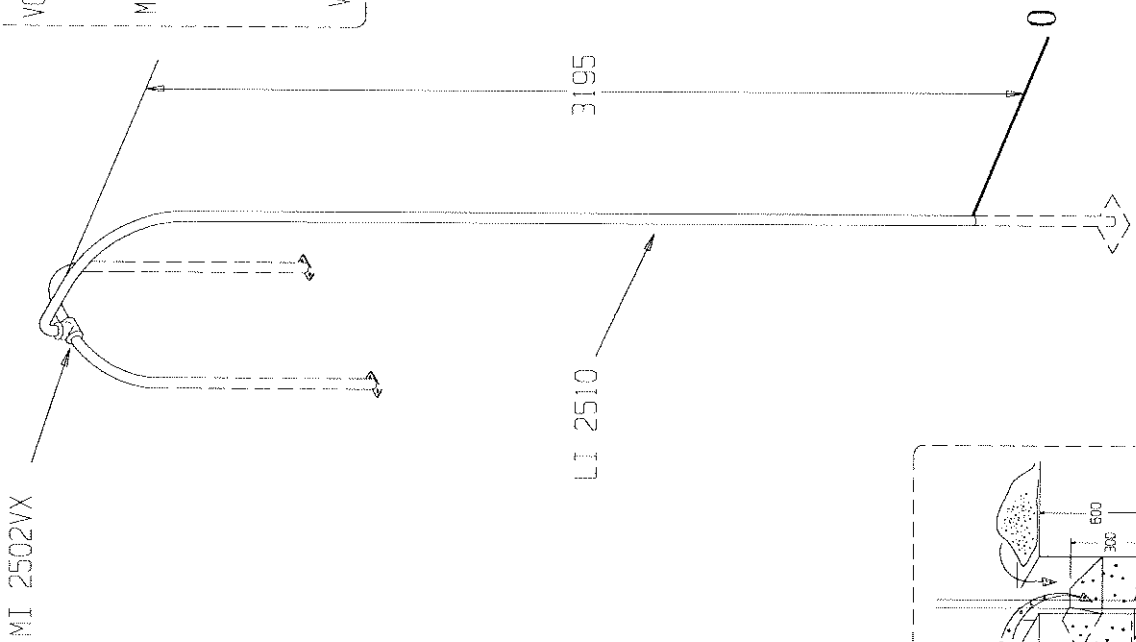
U2544x 1  
Lg 2725

	VCZX 6x25	8
	VEBM6	8

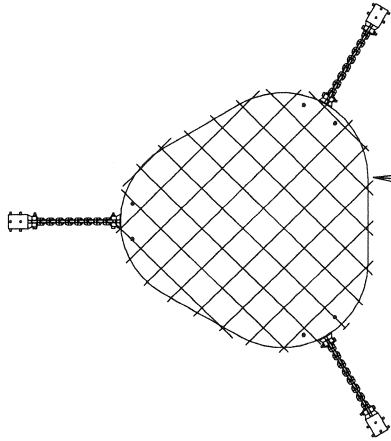
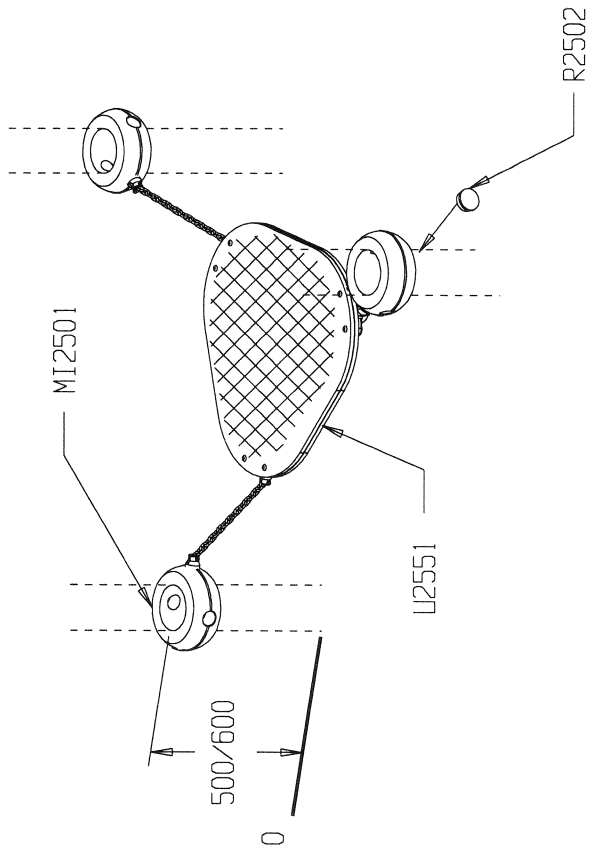
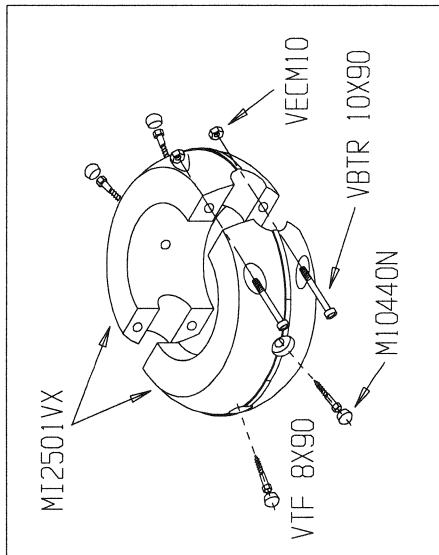


MI2502VX X 2

LI2510 X 1  
Lg 3795

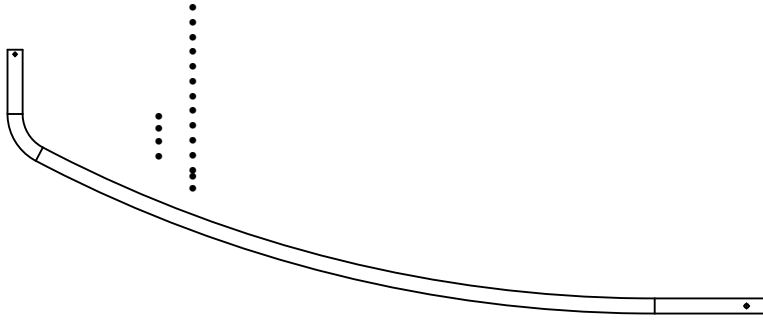
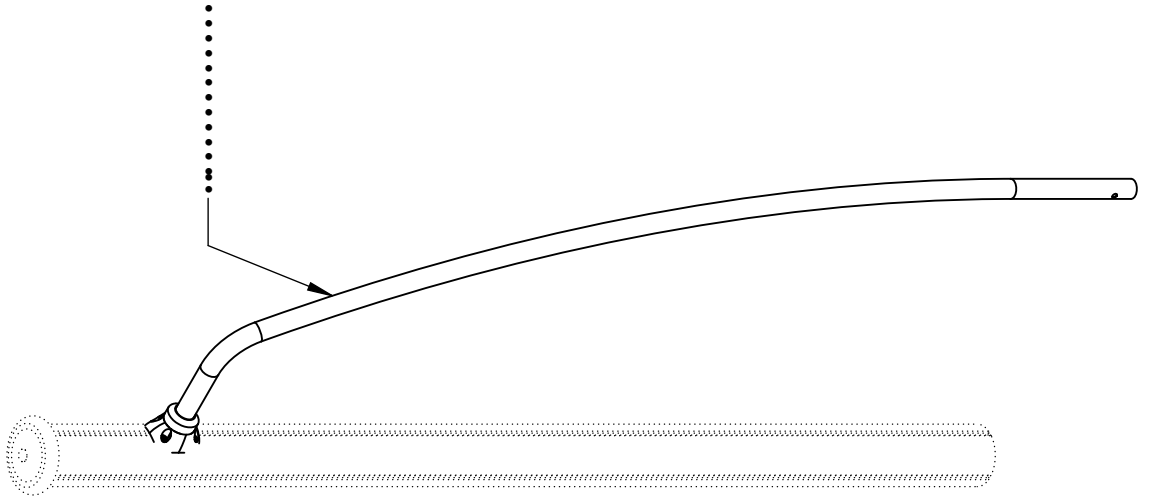
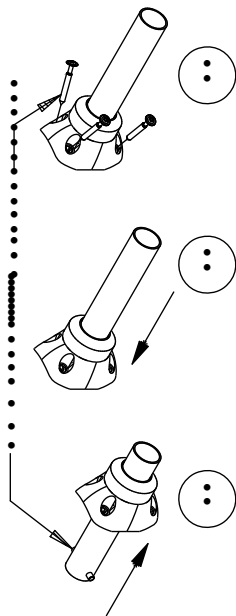


	VGC8*55I	1
	VCZX 6x25	4
	VEBM6	4



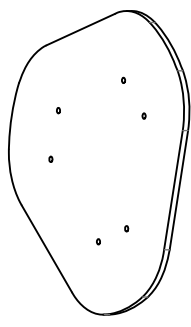
MI2501VX X 6

	VTF 8X90	12
	VEC M10	12
	VBTR 10x90	12
	M10440N	12
	MI 2508VX	24
	R 2502	3

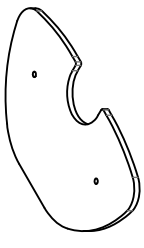


• •	
• •	• • • • •
• •	• • • • •
• •	• • • • •
• •	• • • • •

1x FT2599



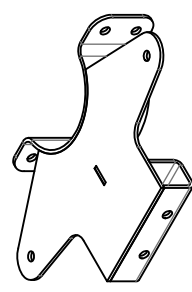
1x FT2598



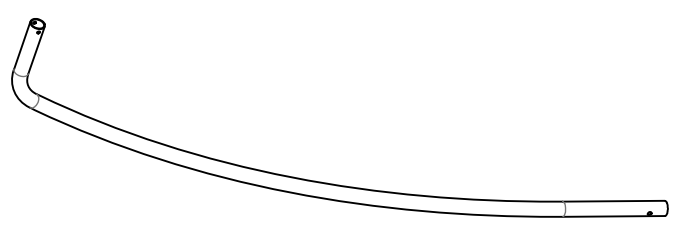
1x LGP25221



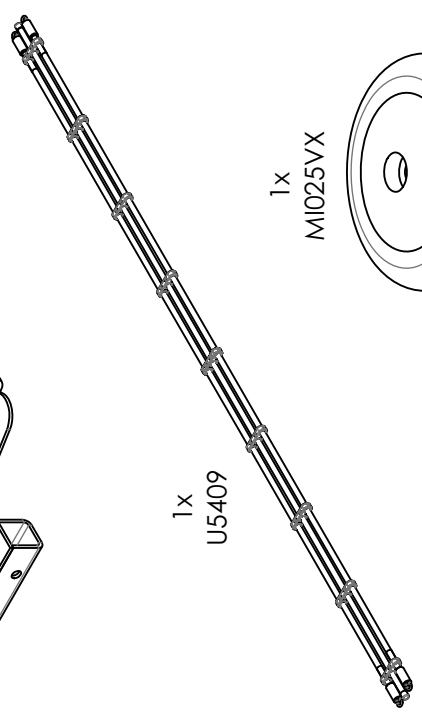
1x LGP25220



1x LI45298



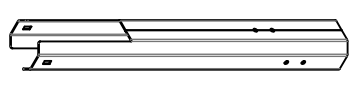
1x U5409



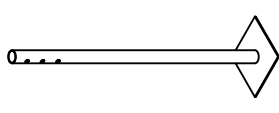
1x CL2510



1x LG2553



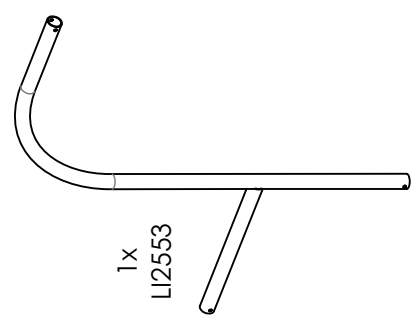
1x LG4502



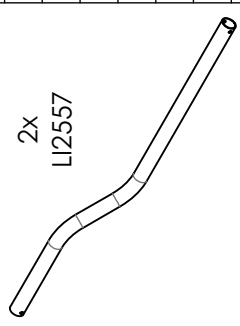
4x MI2502VX



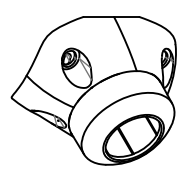
1x LI2553



2x LI2557



7x MI3701N



CL2510

FT2598

FT2599

LG2553

LG4502

LG5403

LGP25220

LGP25221

LI035

LI2553

LI2557

LI45298

M11

M4040

M8310N

M8440N

M10310N

M10440N

MI025VX

MI32N

MI2502VX

MI2503N

1

1

1

1

1

1

1

4

1

2

1

13

8

4

4

23

22

1

4

4

2

7

1x U5409

VB7x60

VCBHC6x25I

VCBHC10x30I

VEBM6

VEFM10

VGC8x55I

VTF10x60

VTH10x30

VTH10x60

VTRCC10x140

VEFBM10

1

33

8

8

8

18

8

2

4

1

1

1

4

4

2

7

1

33

8

8

8

18

8

8

8

8

8

8

8

8

8

8

8

8

8

8

8

8

8

8

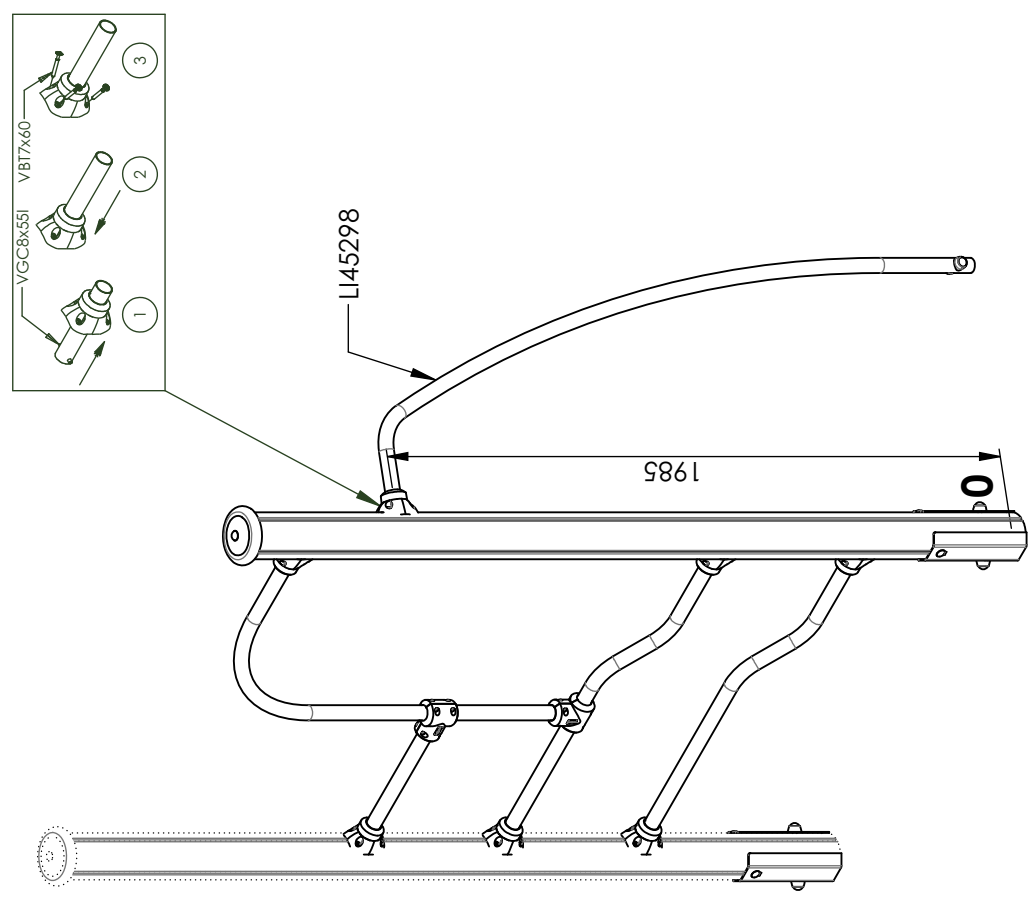
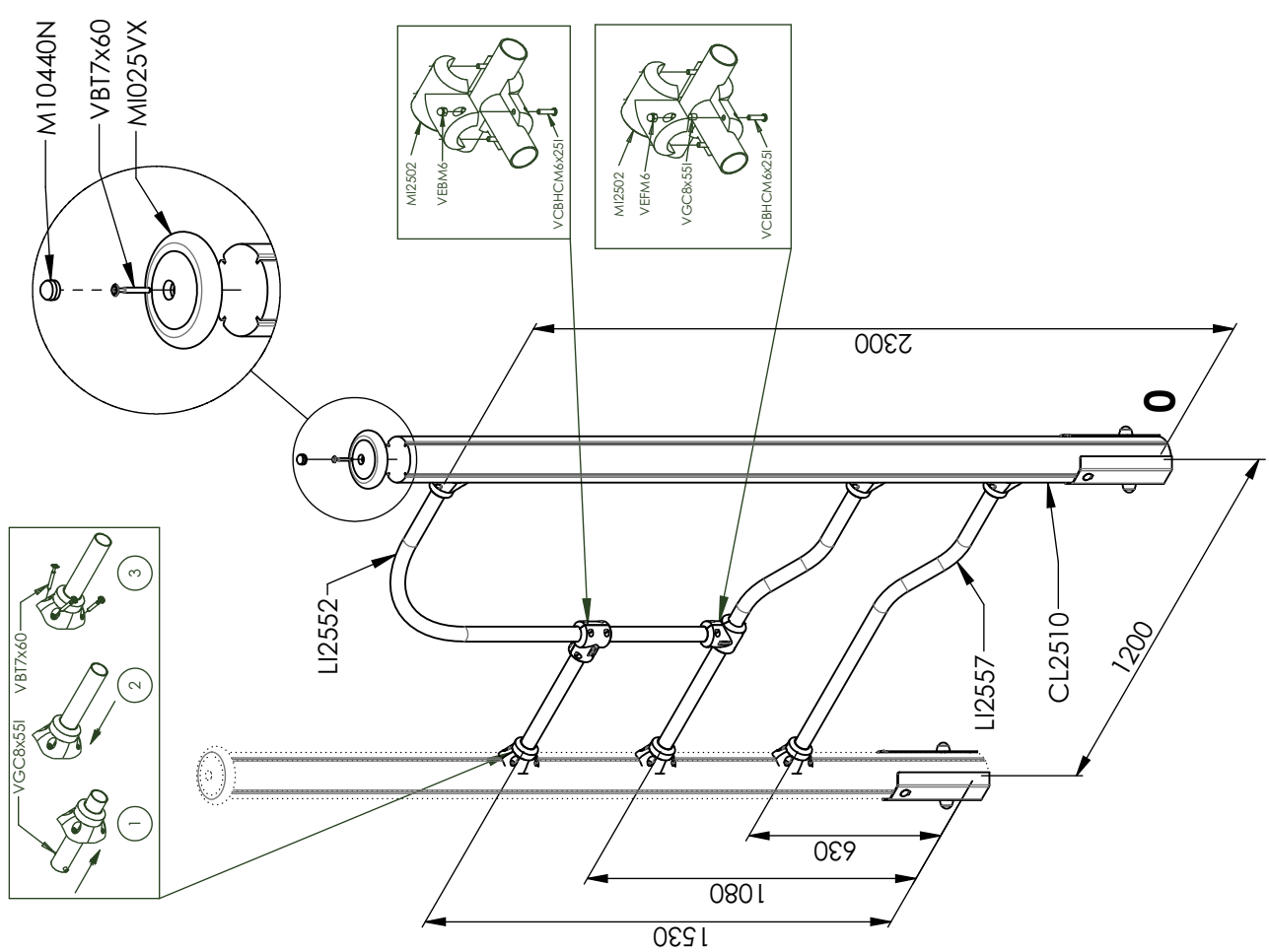
8

8

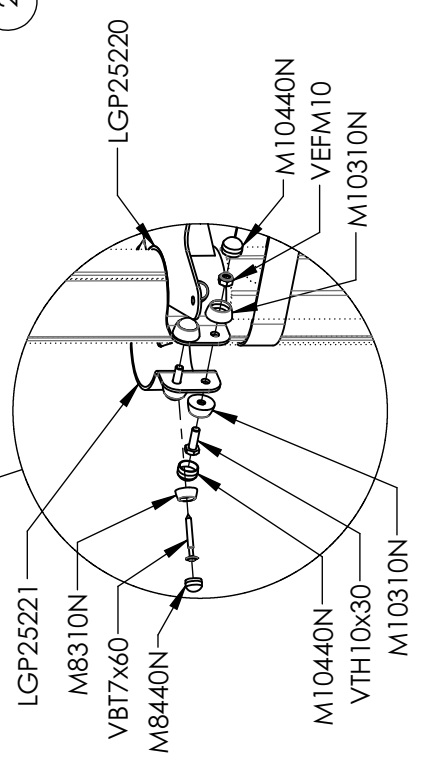
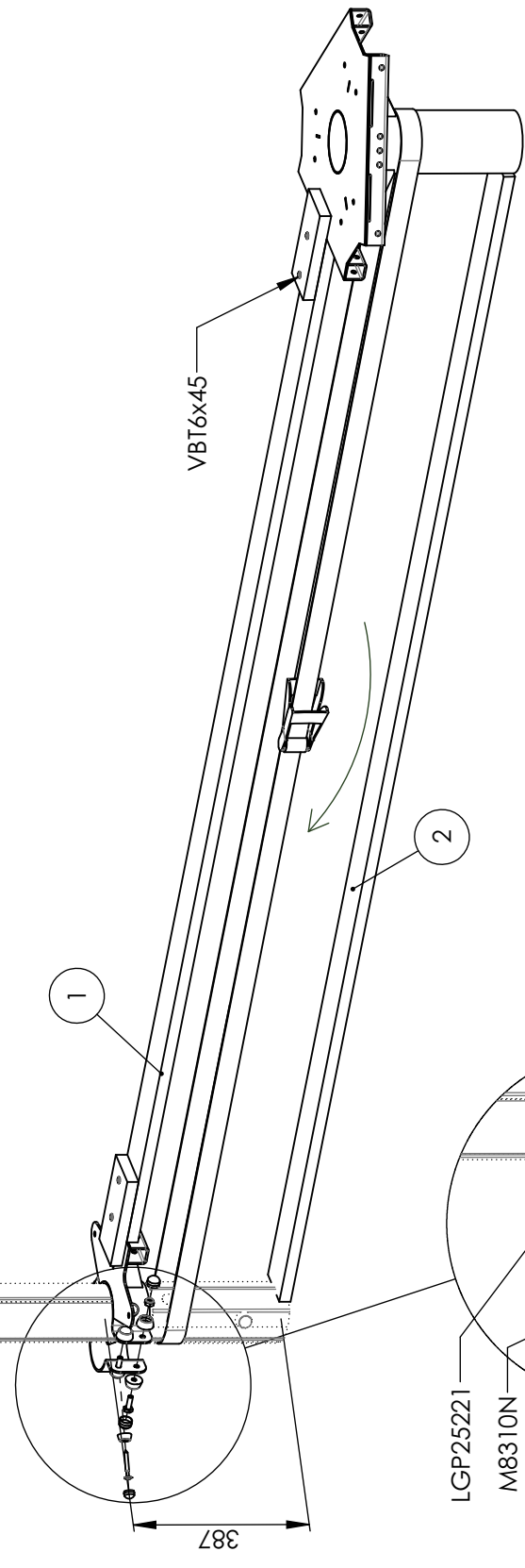
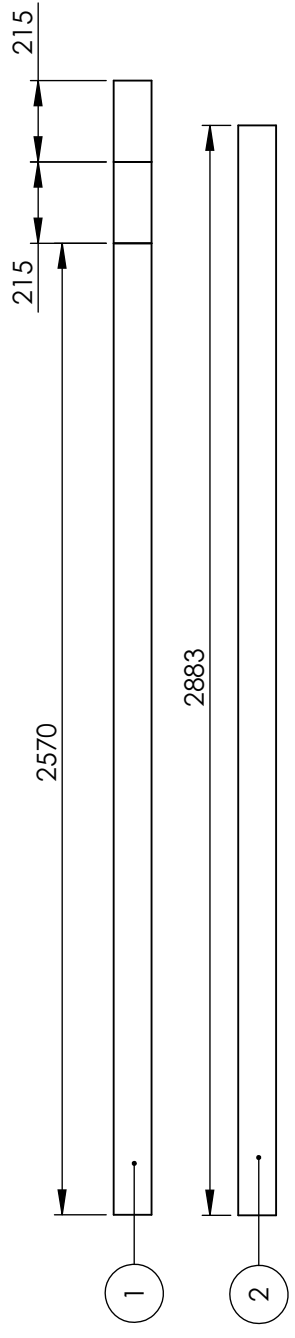
8

8



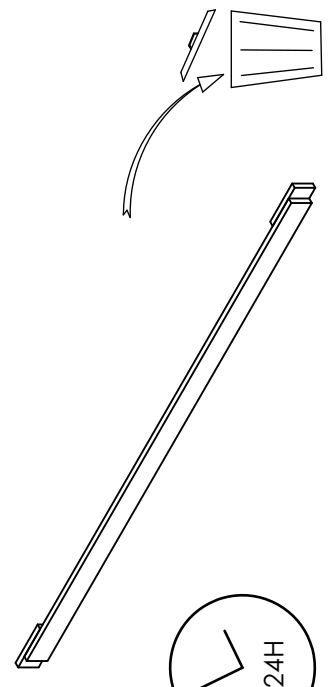
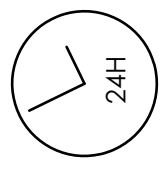


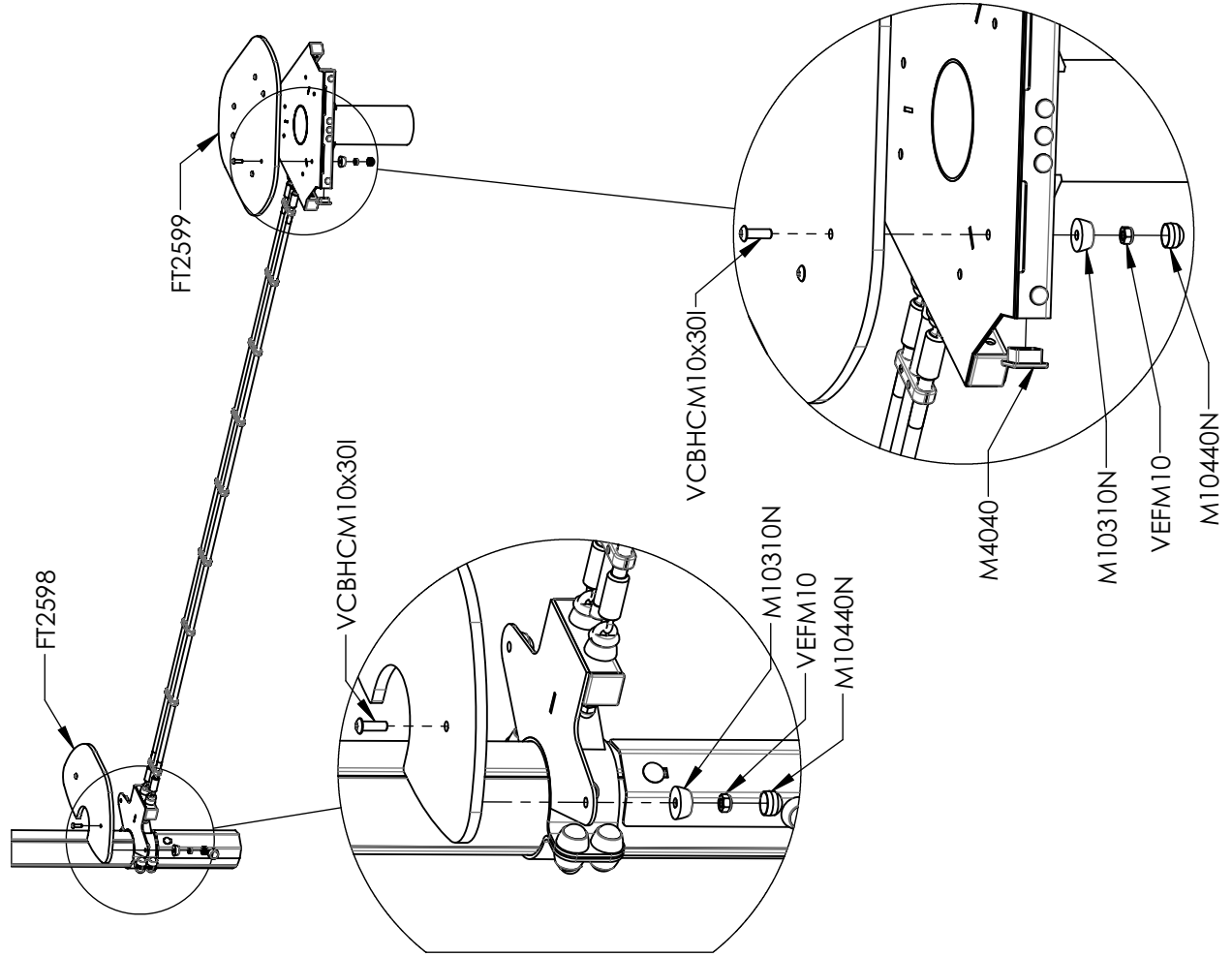
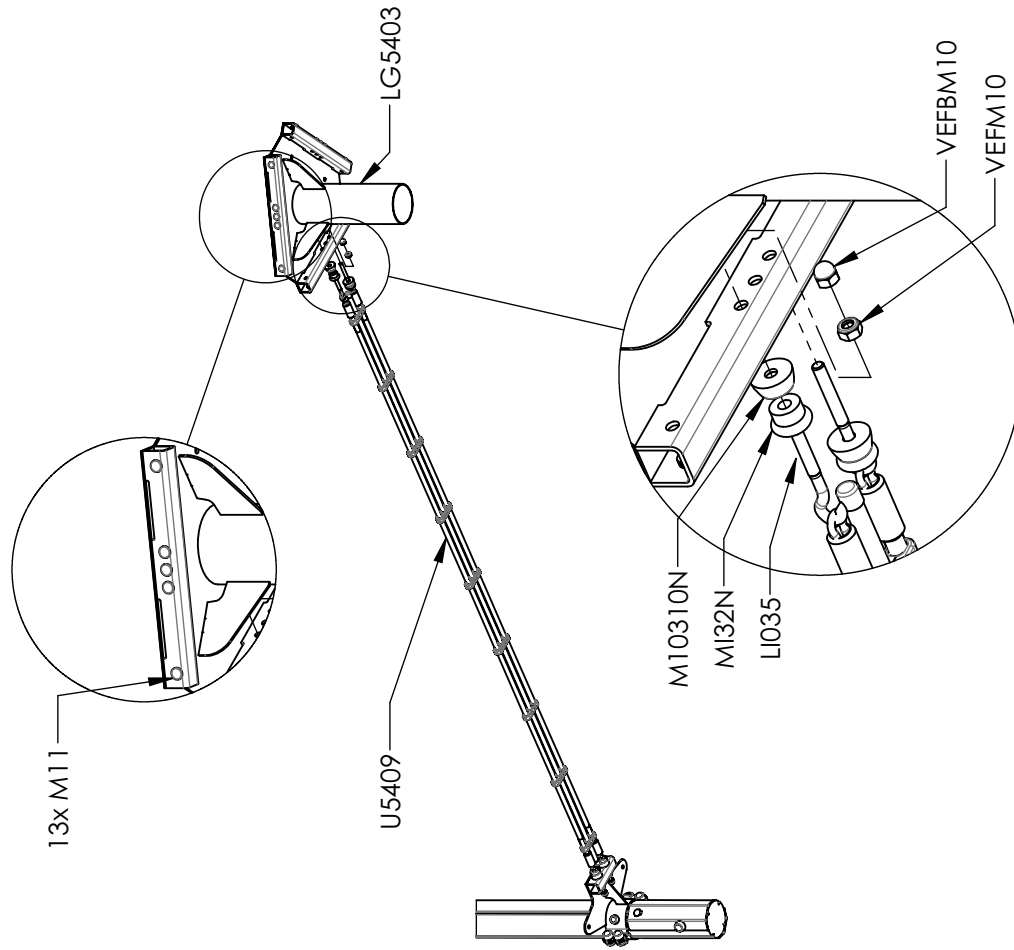
1

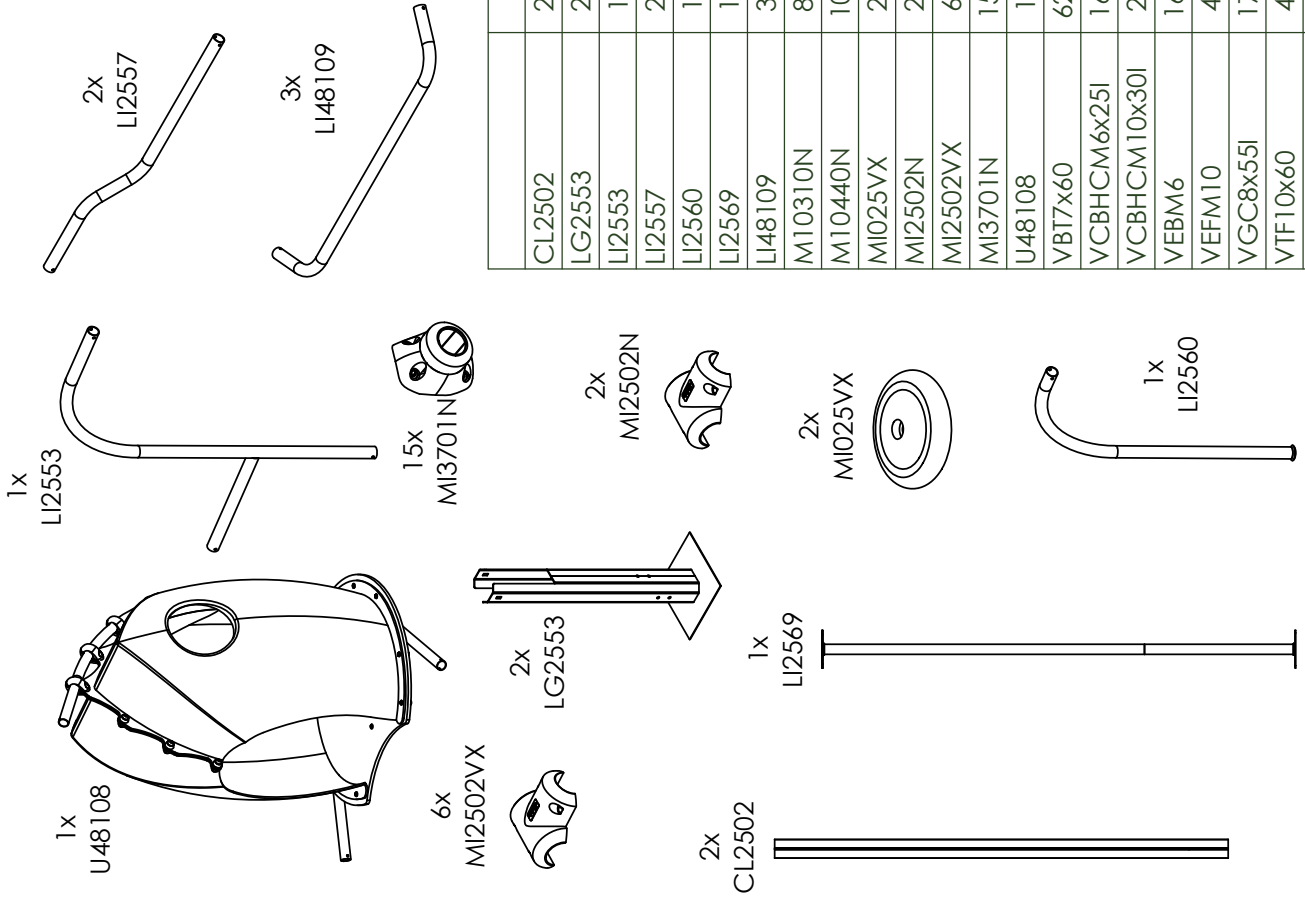
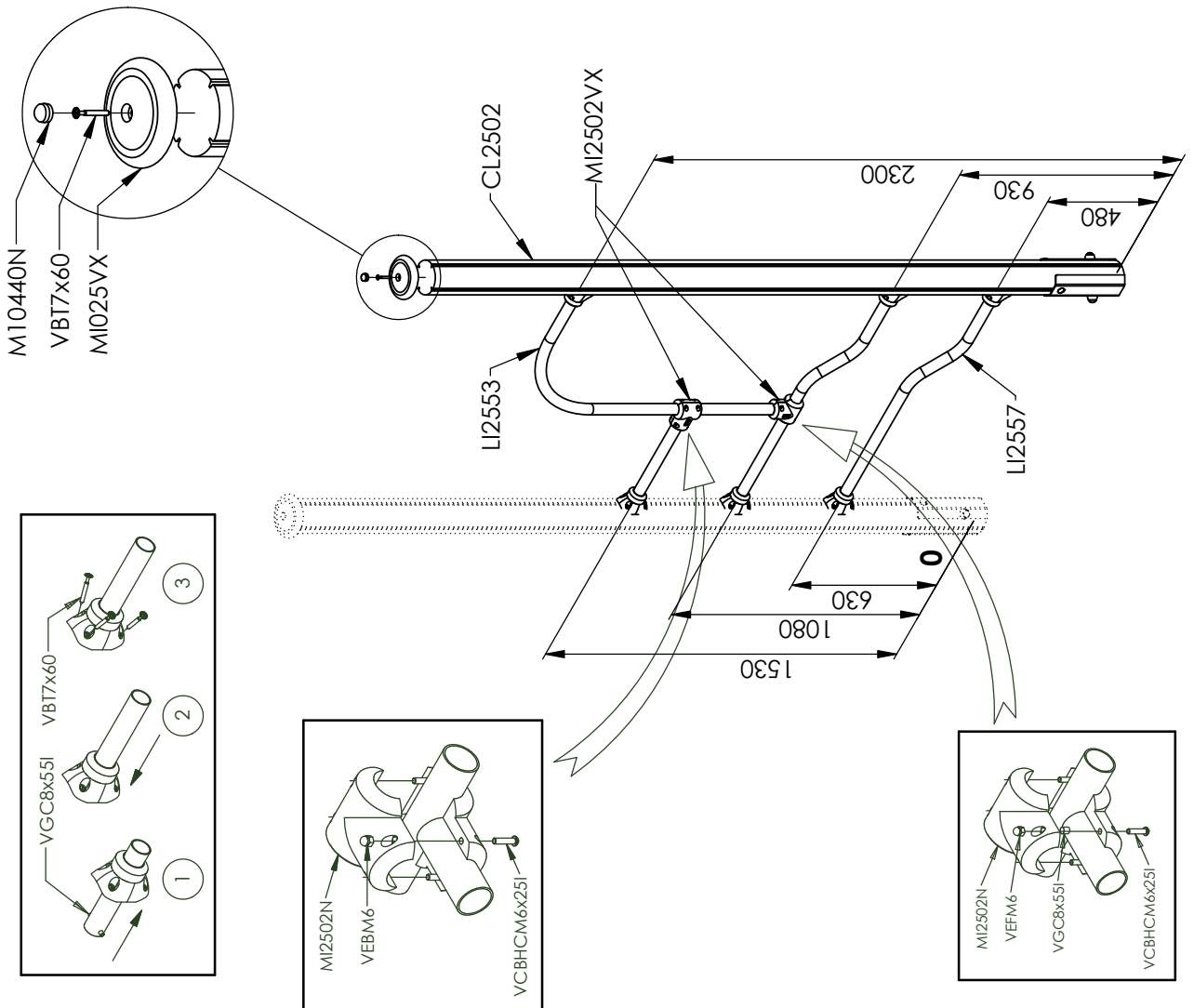


2

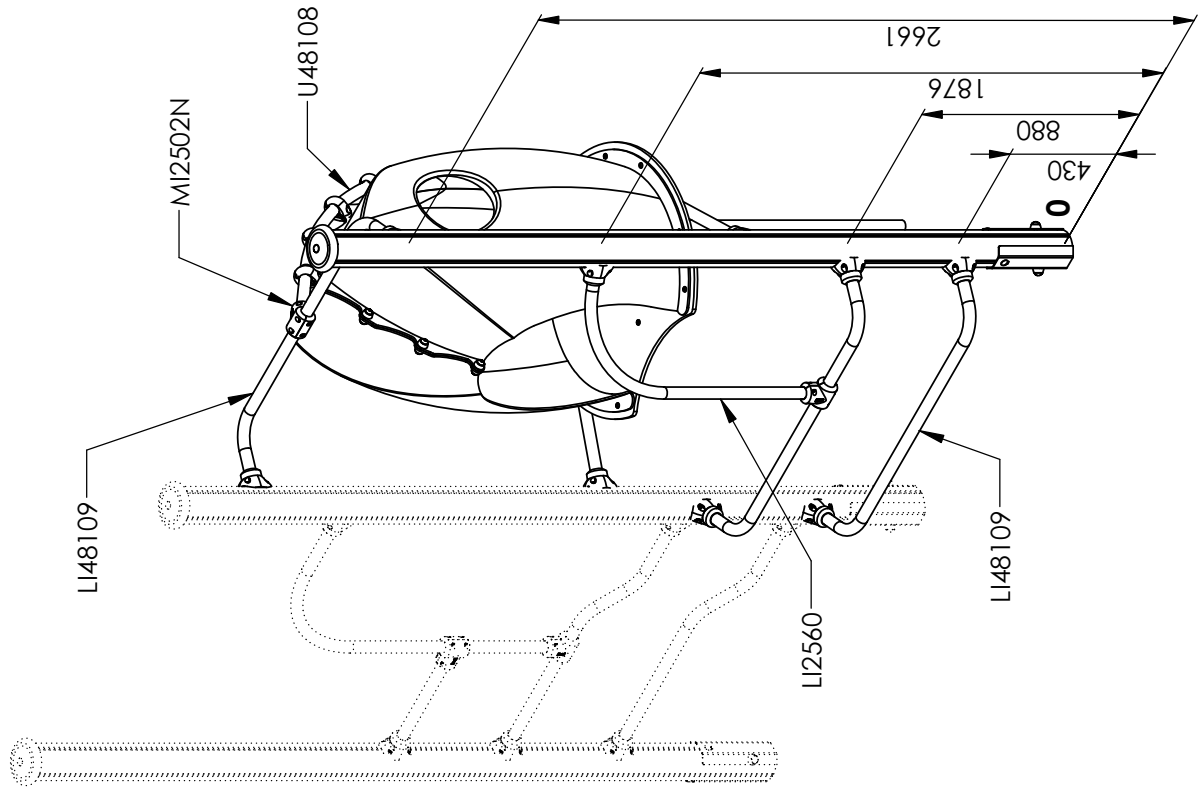
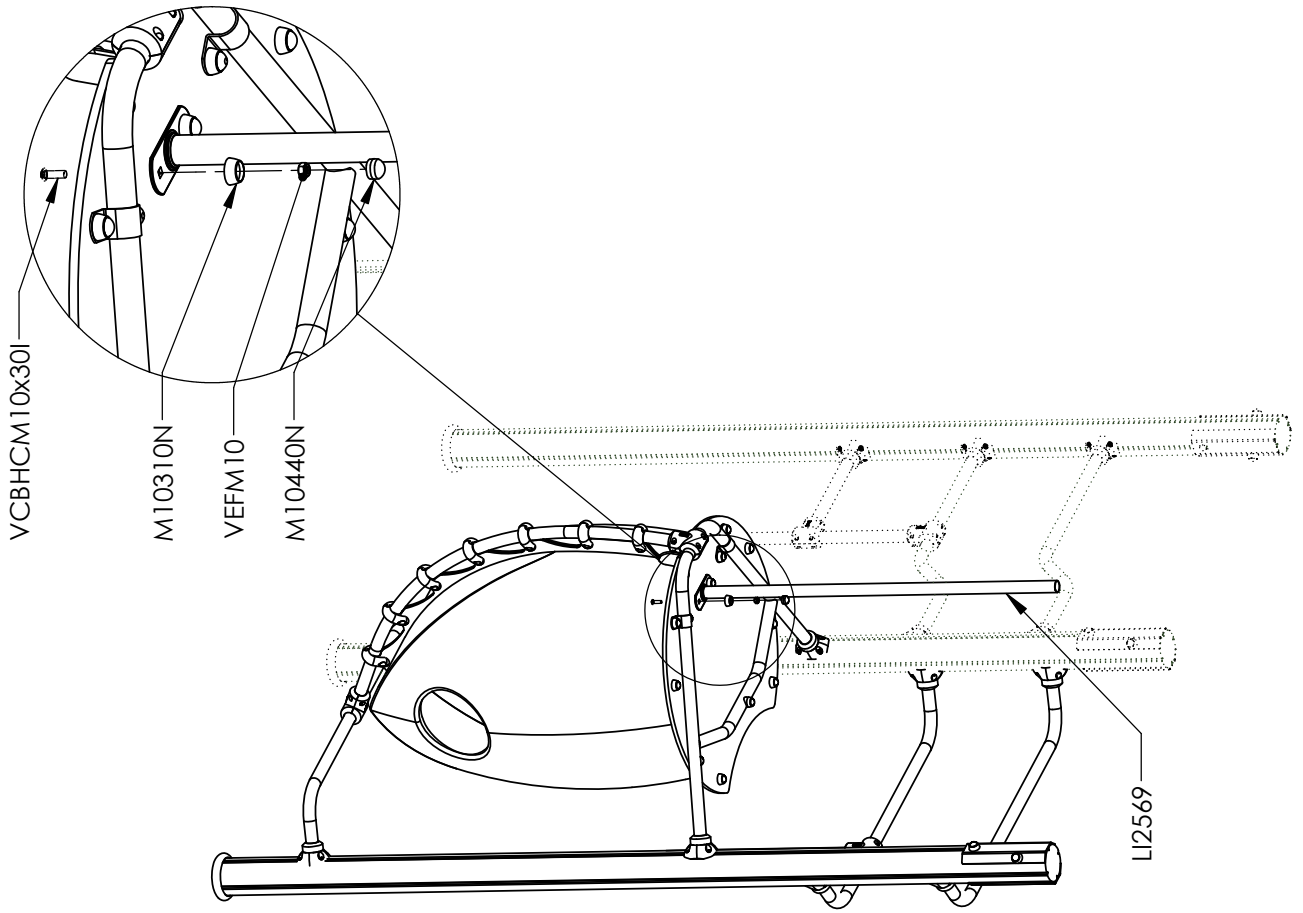
3

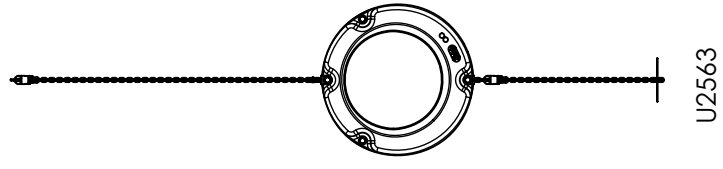
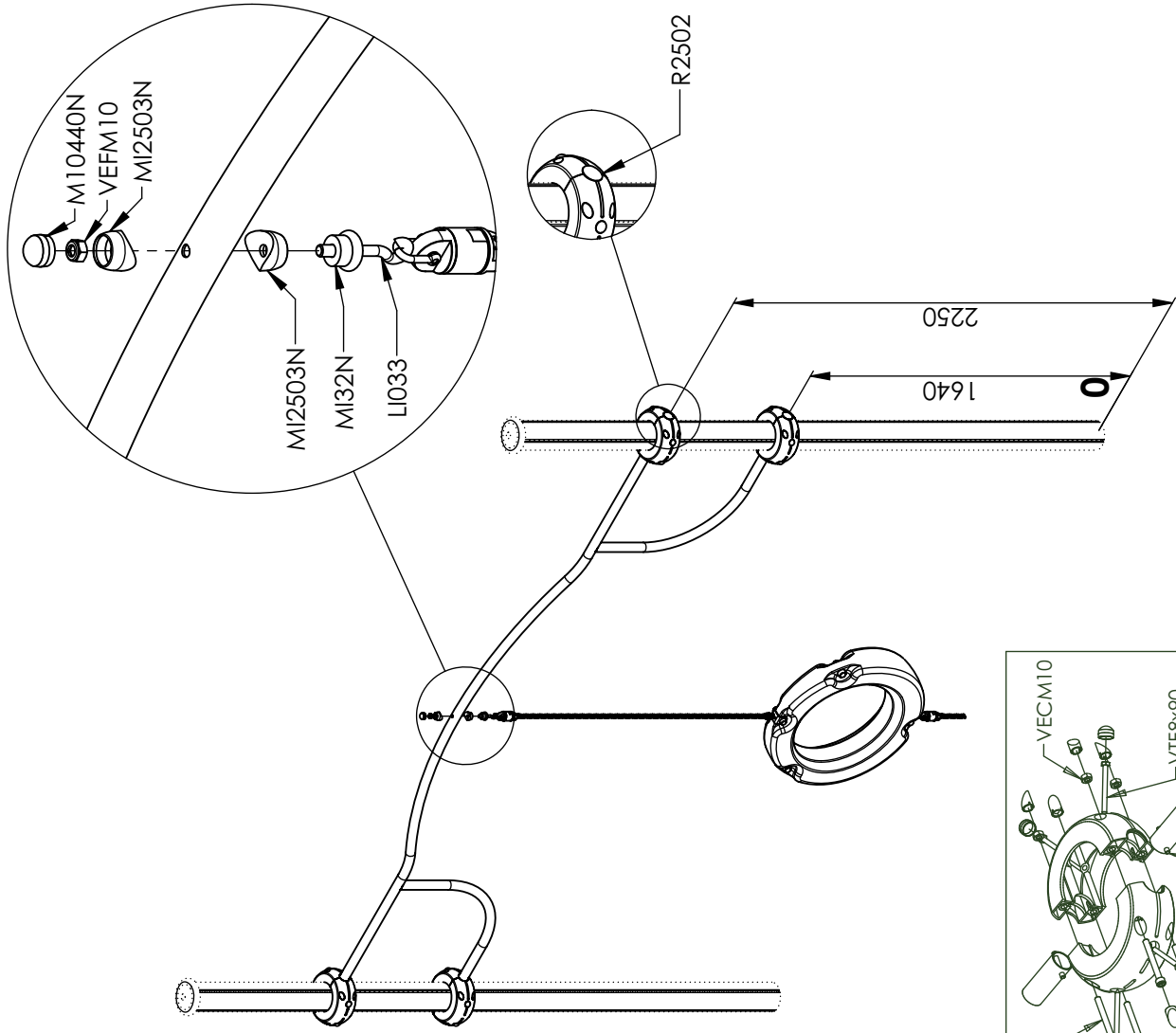




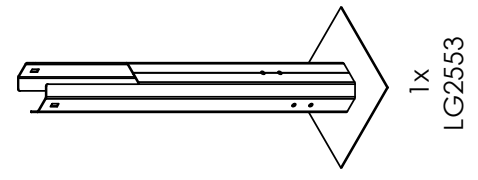
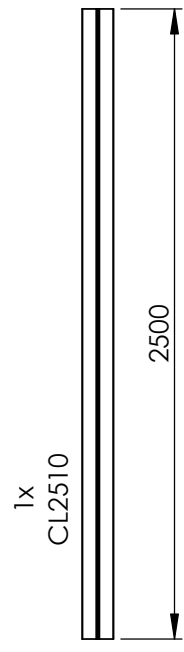
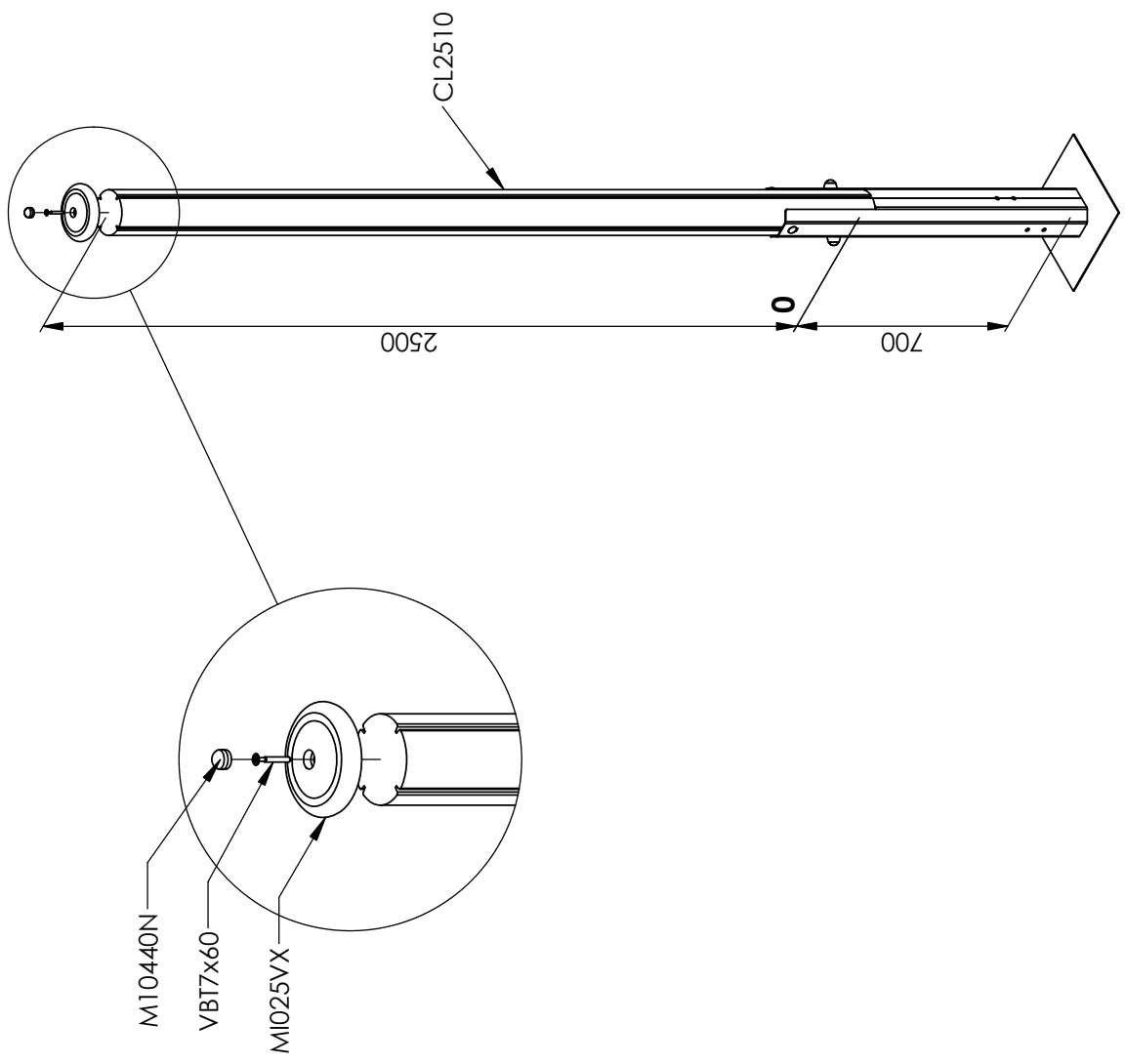


CL2502	2
LG2553	2
LI2553	1
LI2557	2
LI2560	1
LI2569	1
LI48109	3
M10310N	8
M10440N	10
MI025VX	2
MI2502N	2
MI2502VX	6
MI3701N	15
U48108	1
VBT7x60	62
VCBHCM6x25I	16
VCBHCM10x30I	2
VEBM6	16
VEFM10	4
VGC8x55I	17
VTF10x60	4
VTRCC10x140	2

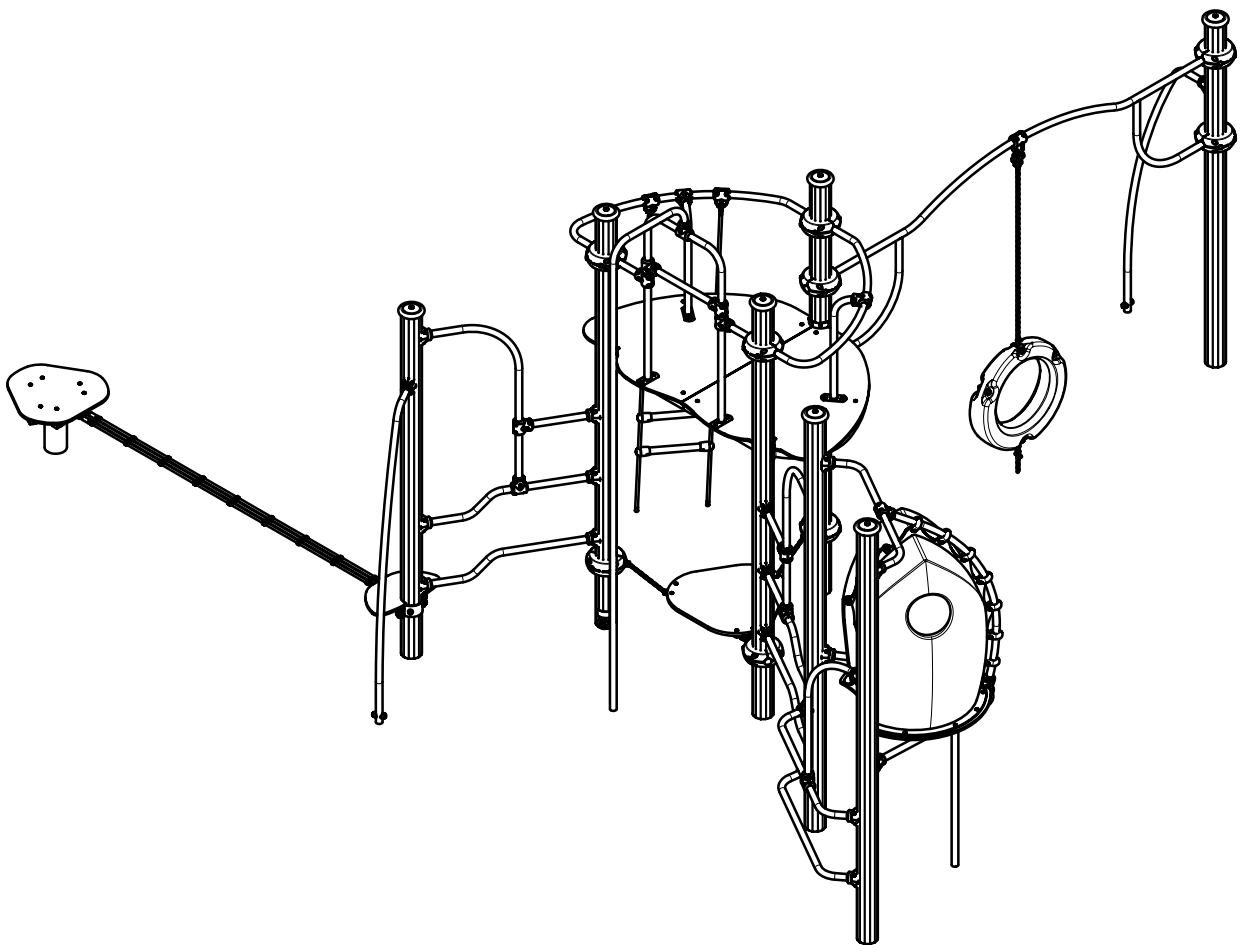




Ref	Qte
LI2588	1
M10440N	17
MI2501VX	8
MI2508	32
R2502	4
U2563	1
VBTR10X90	16
VECM10	16
VGC8x55I	2
LI033	1
MI32N	1
MI2503N	2
VEFM10	1
VTF8x90	16



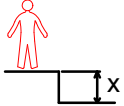
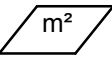
CL2510	1
LG2553	1
M10310N	3
M10440N	4
MI025VX	1
VBT7x60	1
VEFM10	1
VTF10x60	2
VTRCC10x140	1







*Pro ludic*

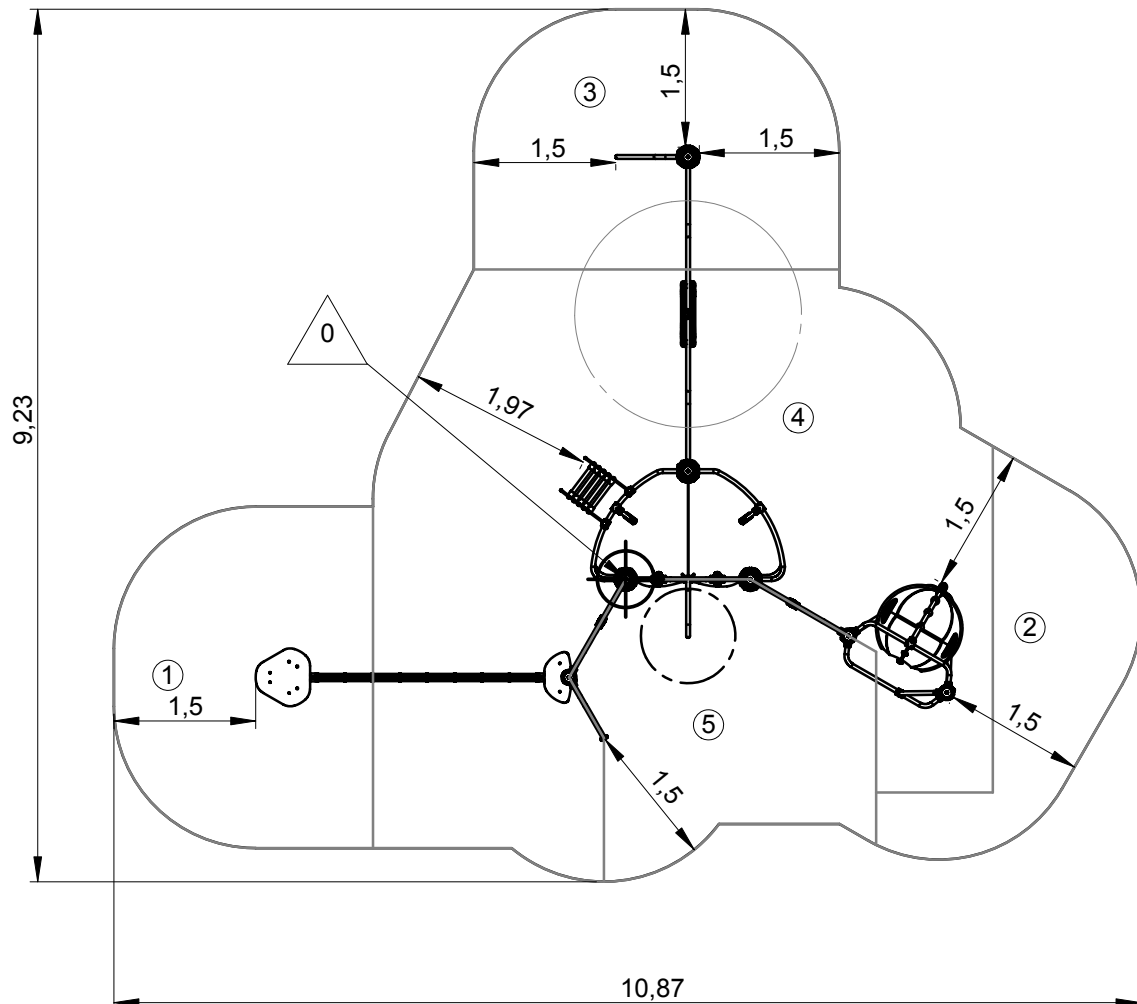
N°		
1	0.4 m	9 m <sup>2</sup>
2	1.3 m	5.5 m <sup>2</sup>
3	1.5 m	10 m <sup>2</sup>
4	1.95 m	29 m <sup>2</sup>
5	2.2 m	8 m <sup>2</sup>

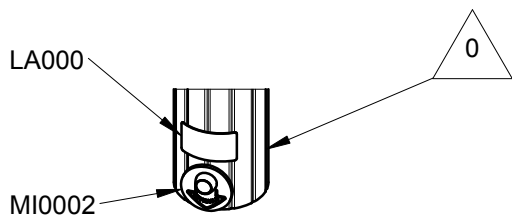
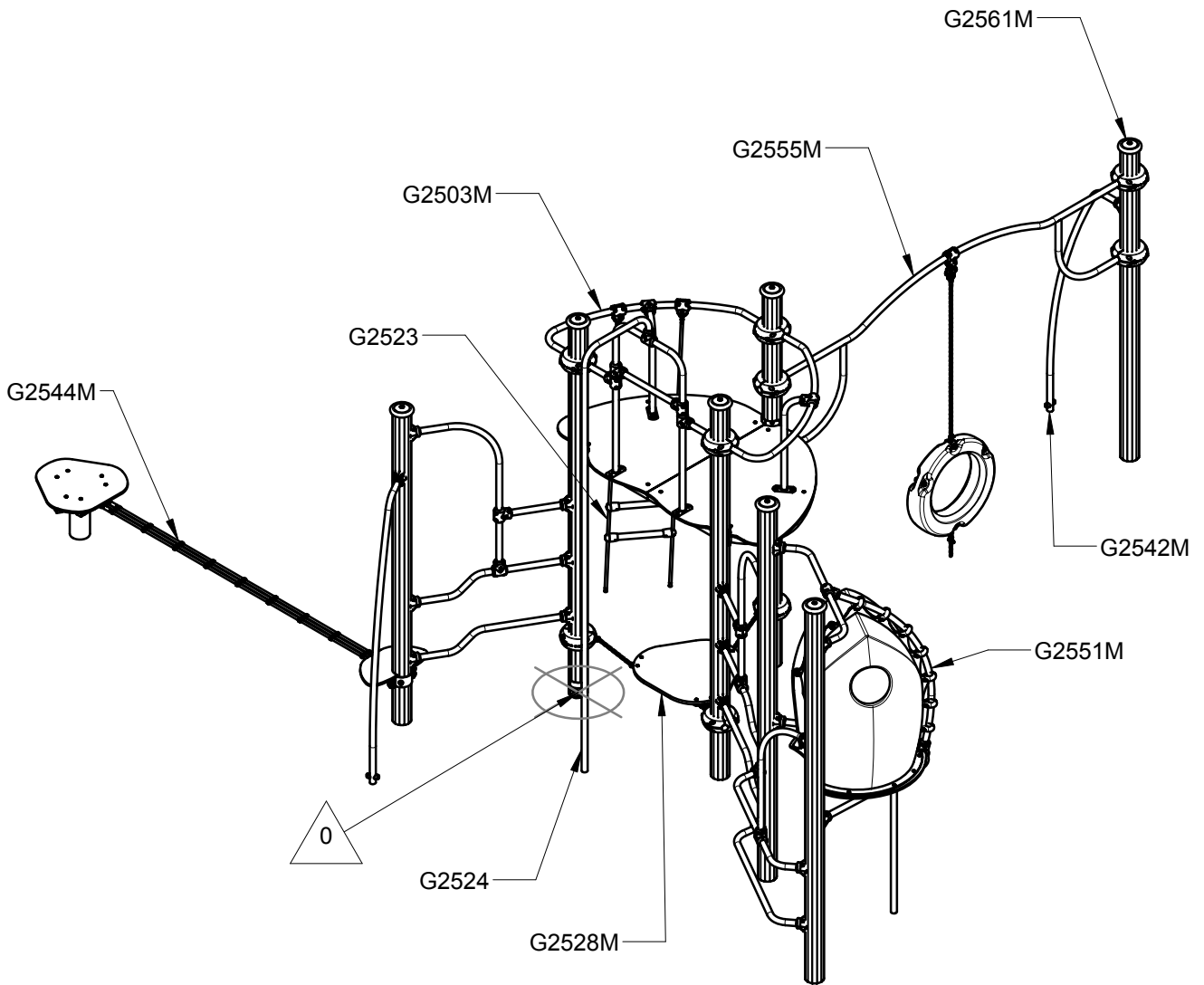
— Zone d'impact  
Impact area  
Area de impacto  
Fallraum  
Valzone

- - - Espace libre  
Free space  
Espacio libre  
Freiraum  
Vrije ruimte

△ 0 Point de référence  
Setting out point  
Punto de referencia  
Bezugspunkt  
Referentiepunt

EN1176-1 : 2017

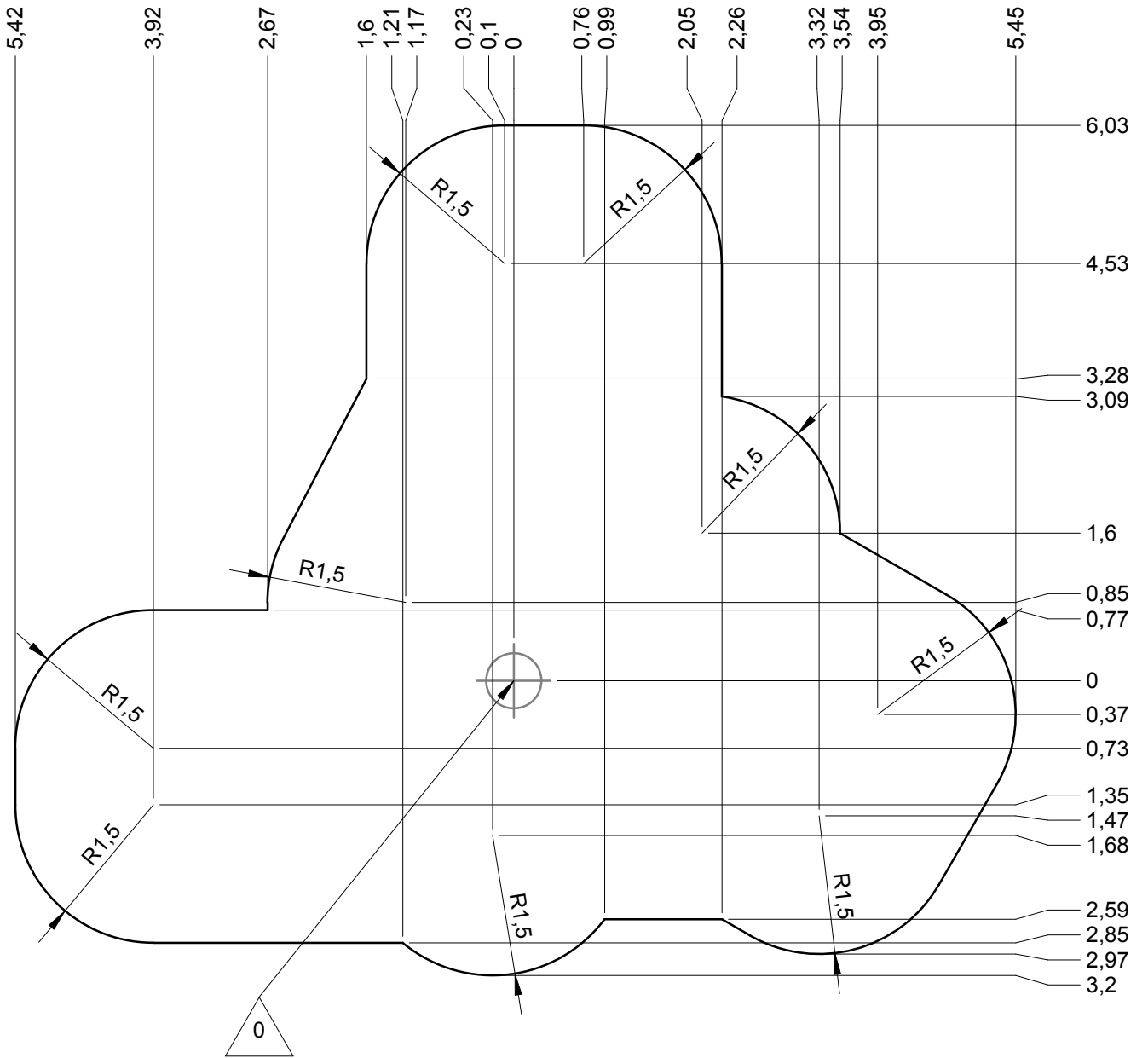




G2503M	1
G2523	1
G2524	1
G2528M	1
G2542M	1
G2544M	1
G2551M	1
G2555M	1
G2561M	1
LA000	1
M8310N	1
M8440N	1
MI0002	1
VTH6x30A	1

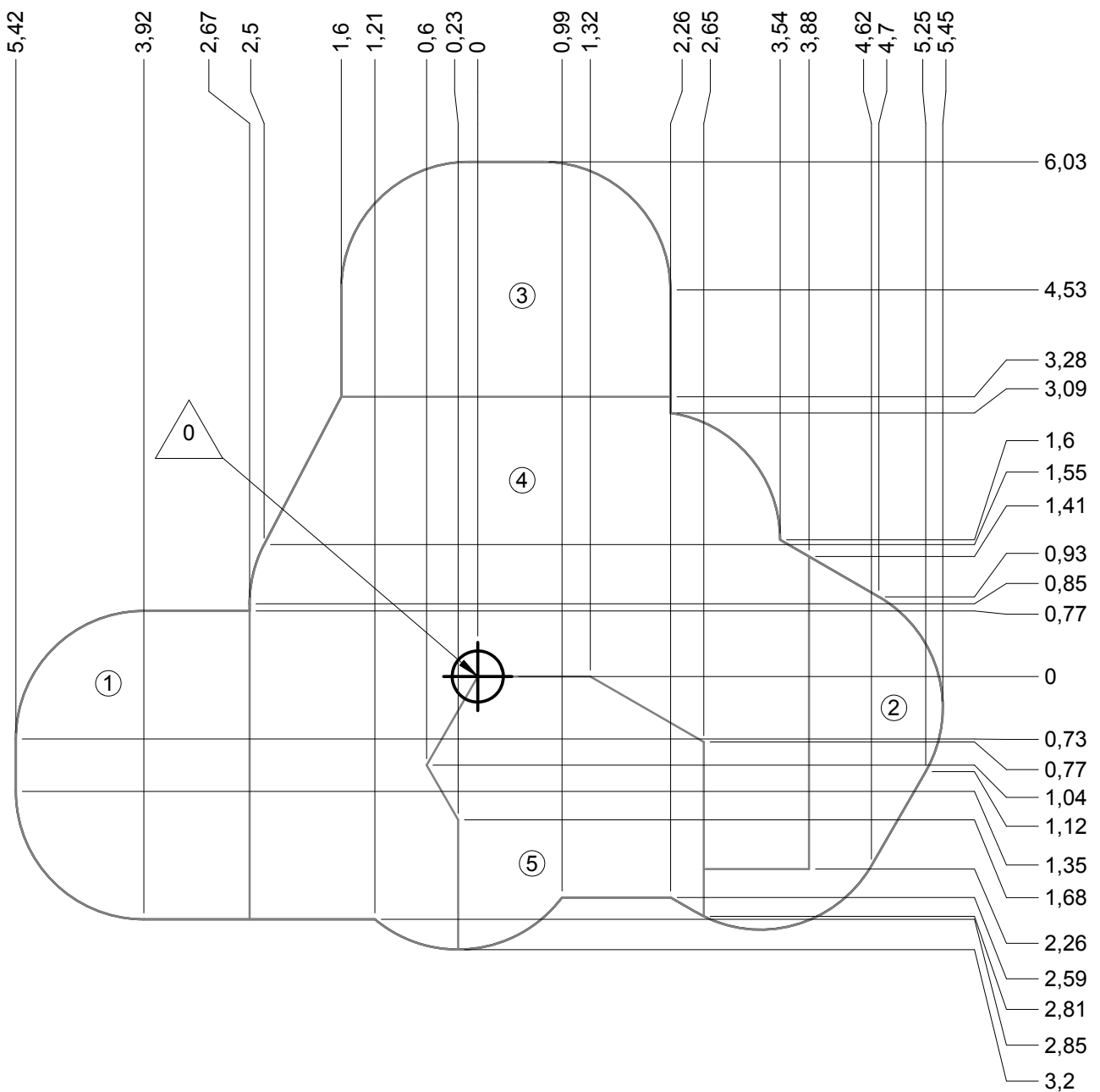
— Zone d'impact  
 Impact area  
 Area de impacto  
 Fallraum  
 Valzone

61.5 m<sup>2</sup>



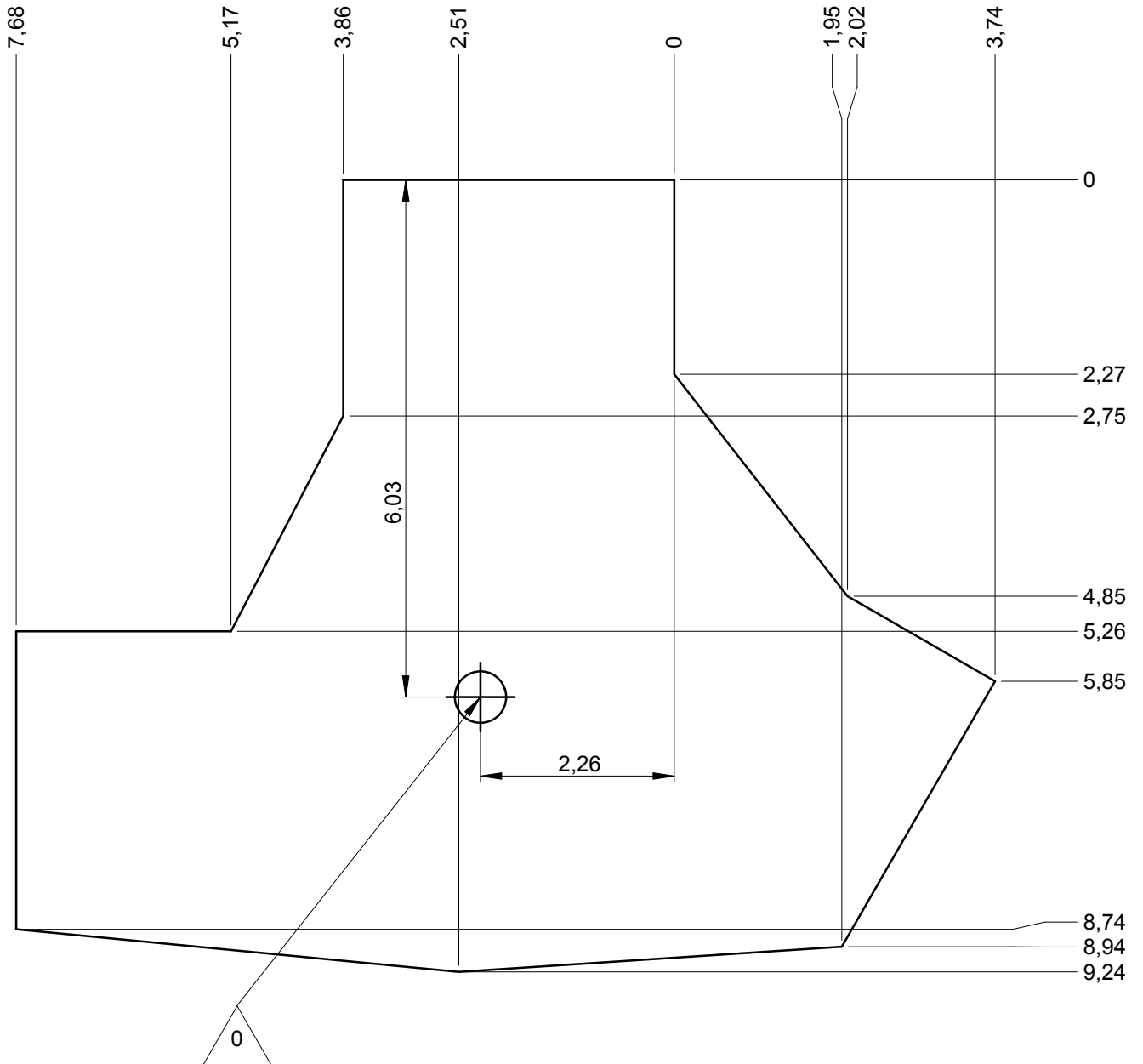
— Sol souple  
 Wetpour  
 Caucho continuo  
 Synthetischer fallschutz  
 Gietvloer

61.5 m<sup>2</sup>

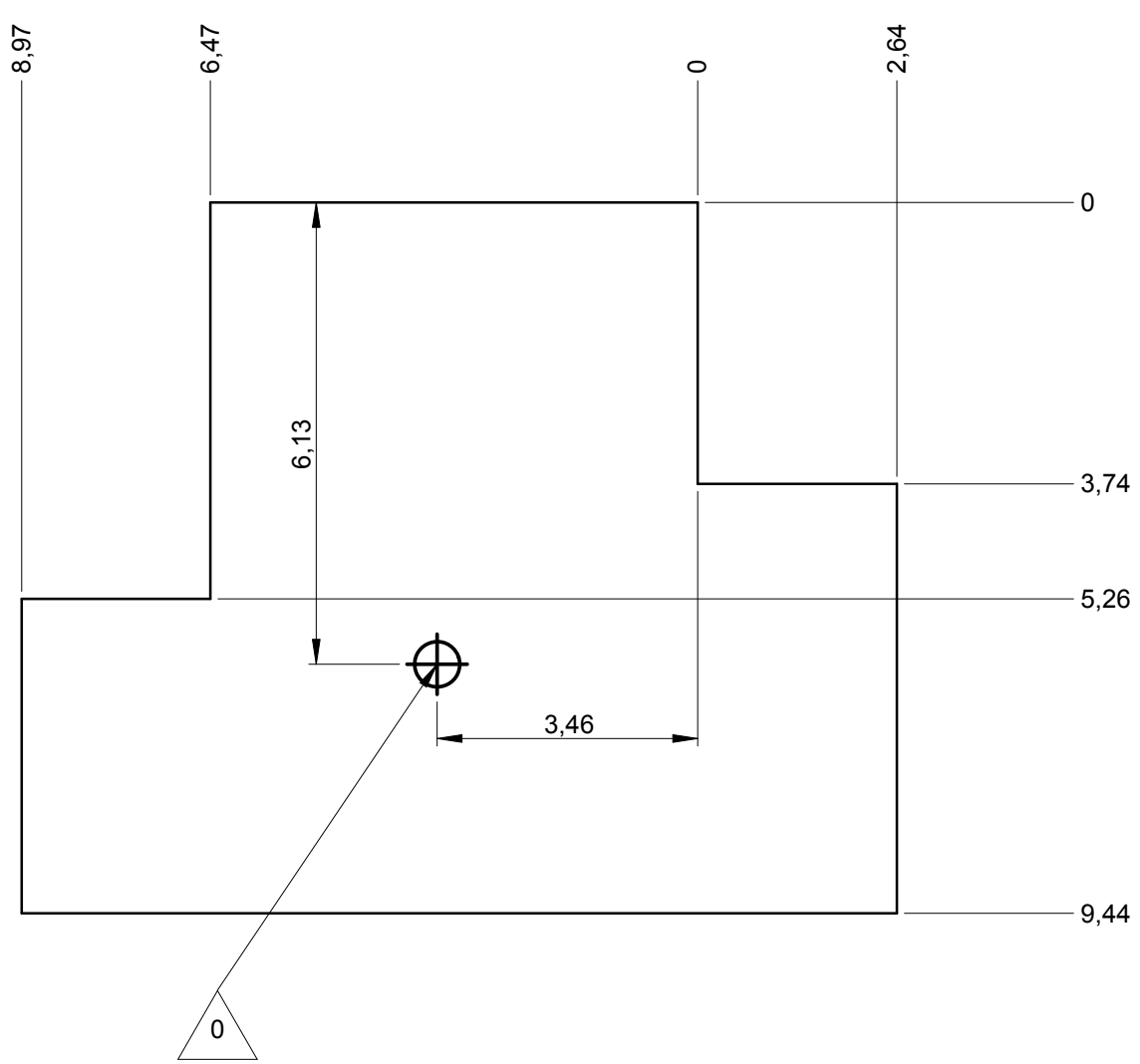


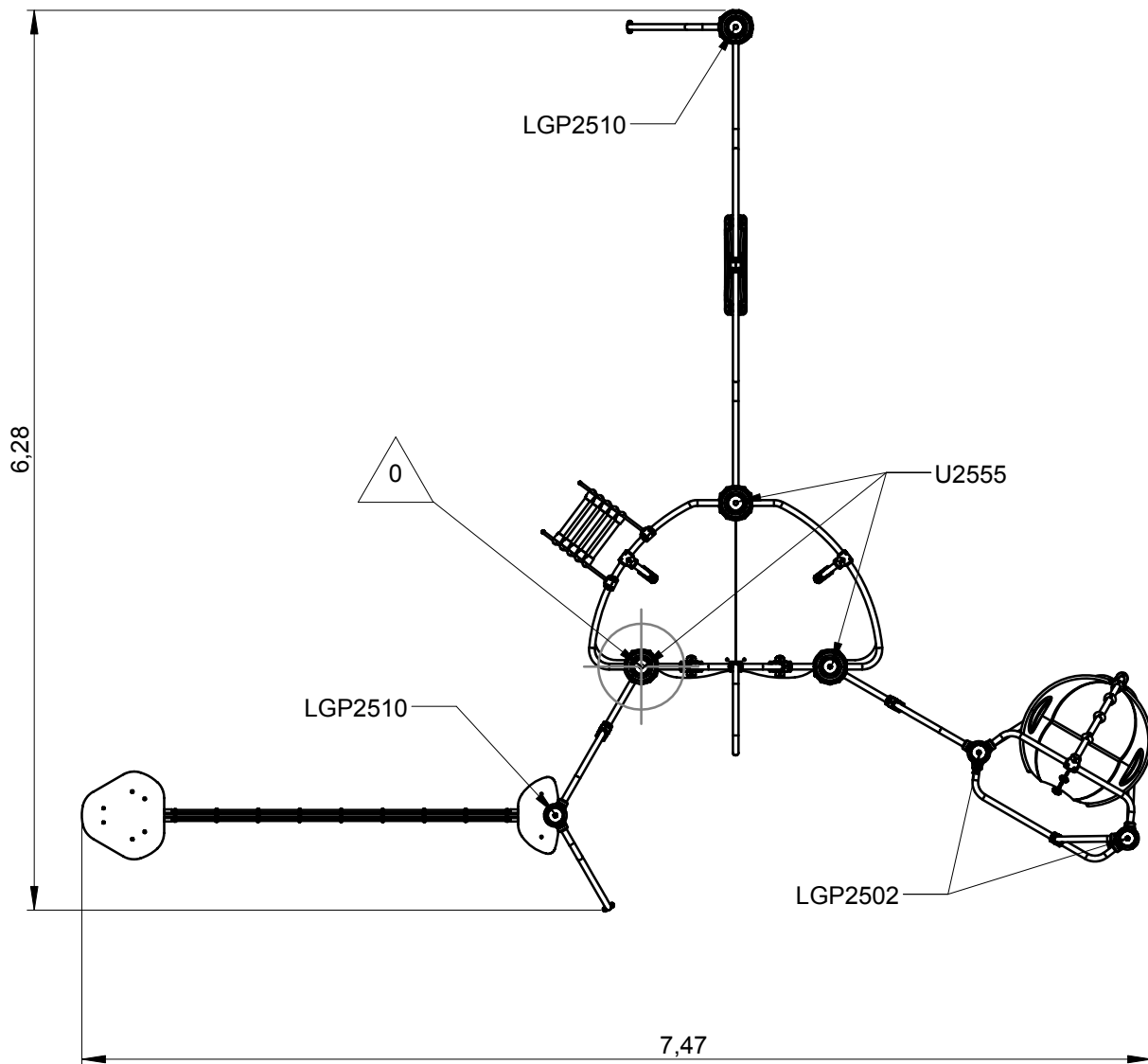
— Dalle béton  
 Concrete pad  
 Solera de hormigon  
 Beton bodenplatte  
 Betonnen bodemplaat

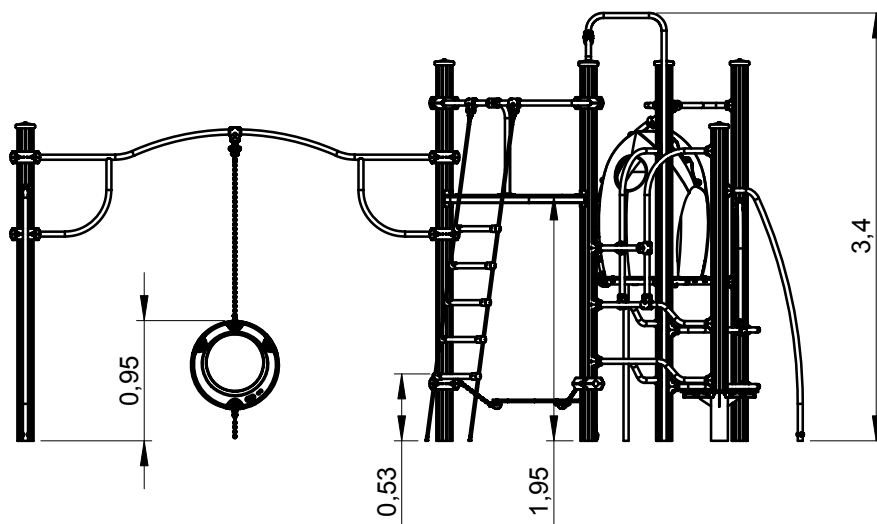
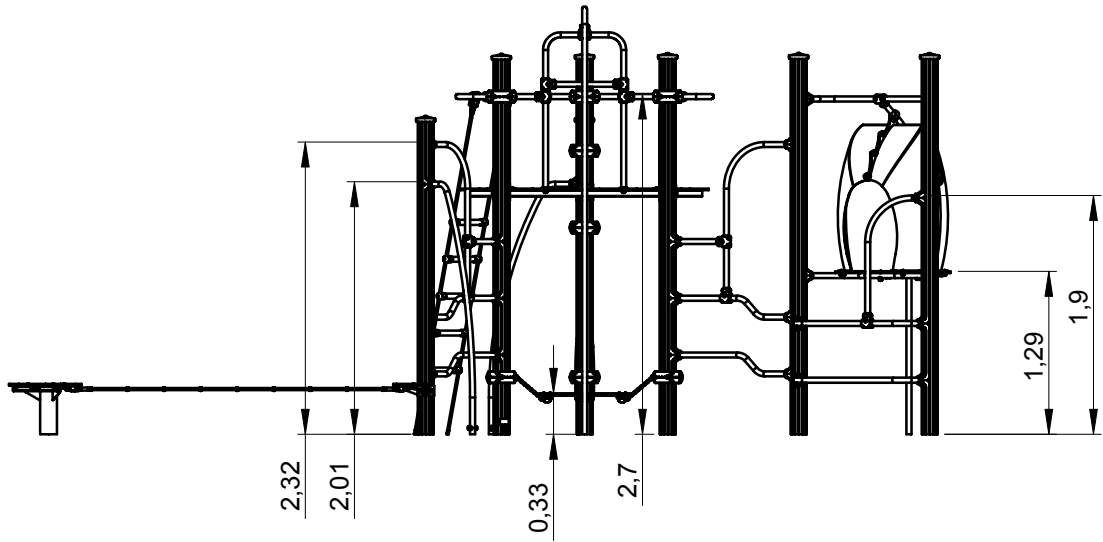
37 m  
 65.5 m<sup>2</sup>



— Sol fluent  
 Loos partucule material 43 m  
 Arenero  
 Loses Bodenmaterial 87 m<sup>2</sup>  
 Los bodemmaterial

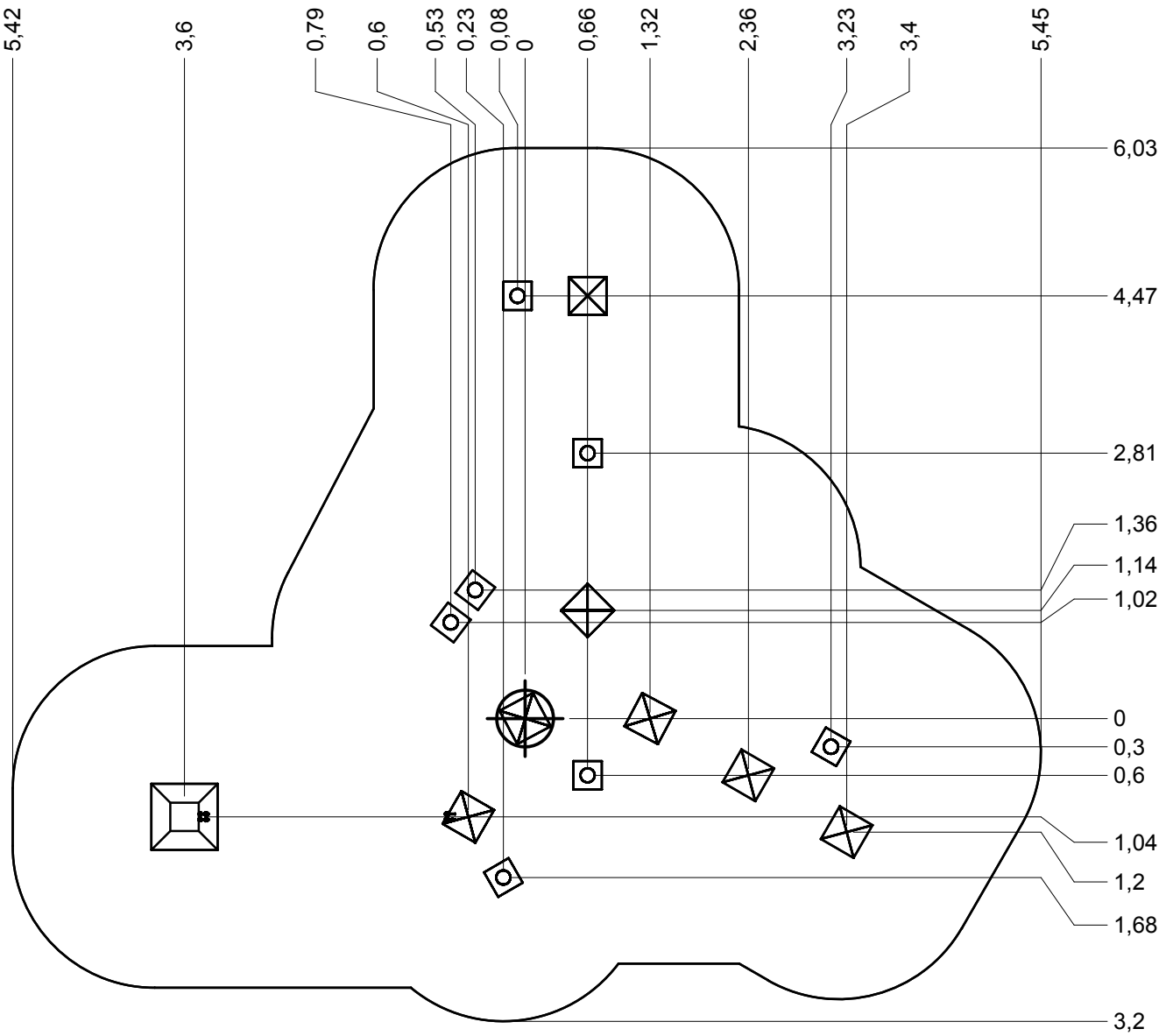




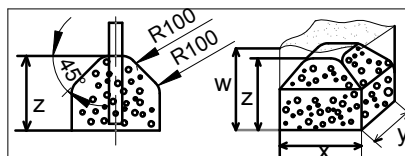







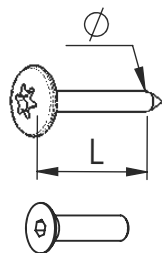
Implantation  
 Footing plan  
 Implantación  
 Fundamentplan  
 Funderingstekening



 x2  
 8H  
 1.1 m<sup>3</sup>



	x	y	z	w
	0.3	0.3	0.3	0.6
	0.4	0.4	0.6	0.8
	0.7	0.7	0.5	0.7



VBT 6 x 30  
 $\varnothing$   $\uparrow$  L (mm)

VFHC



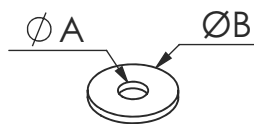
VEC M10  
 $\varnothing$



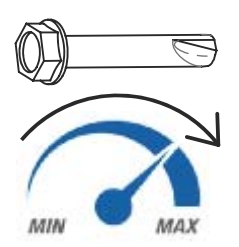
VEF




VEB



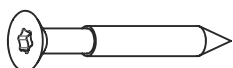
VR6x18  
 $\varnothing A$   $\varnothing B$



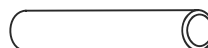
**1000 - 1800 tr/min**  
 Vitesse de rotation  
 Rotation speed



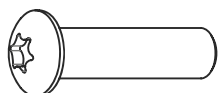
**14 N.m**  
 Couple de rupture  
 Torque of break



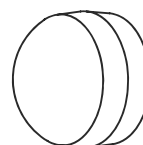
VWT



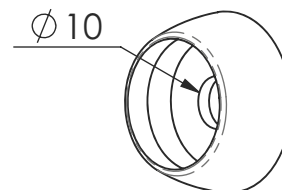
VGC



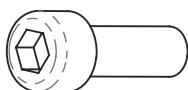
VCBHC



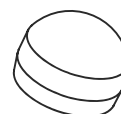
M10 440N



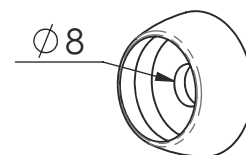
M10 310 N



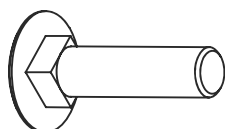
VBTR



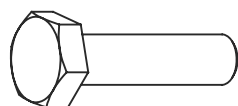
M8440N



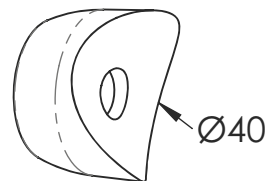
M8310N



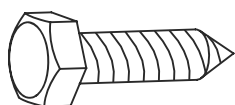
VTRCC



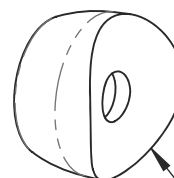
VTH



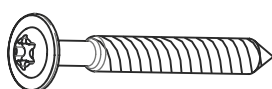
MI2503



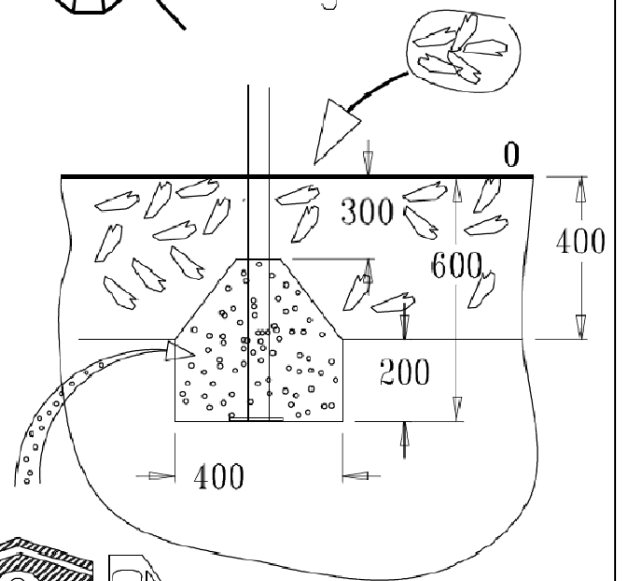
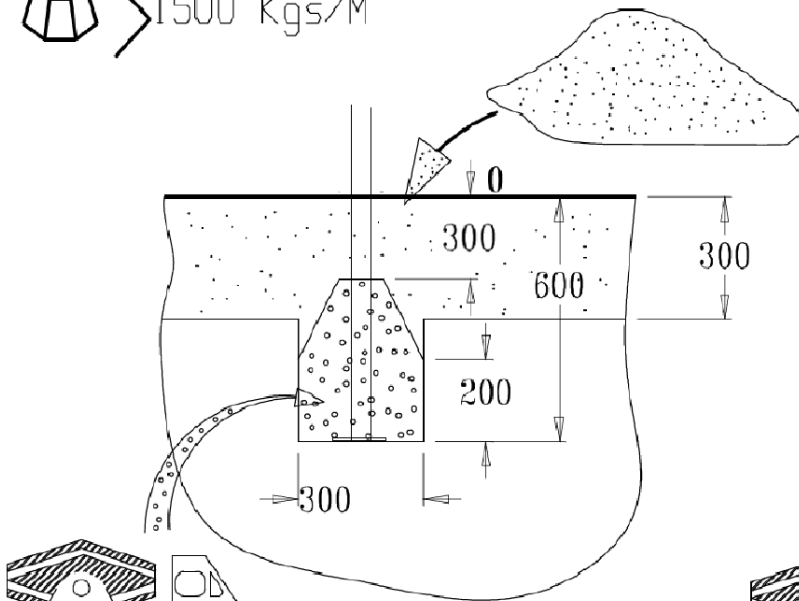
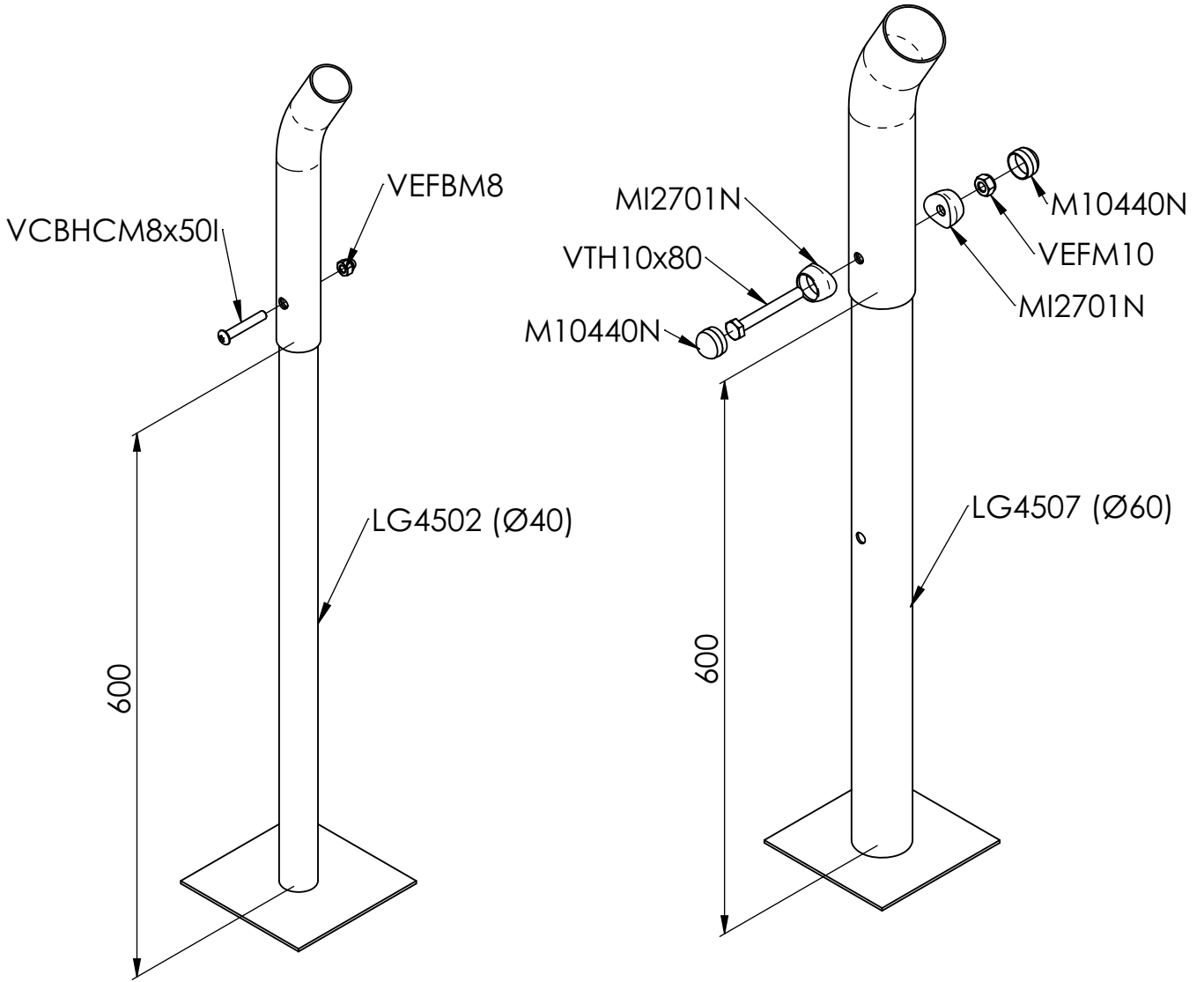
VTF

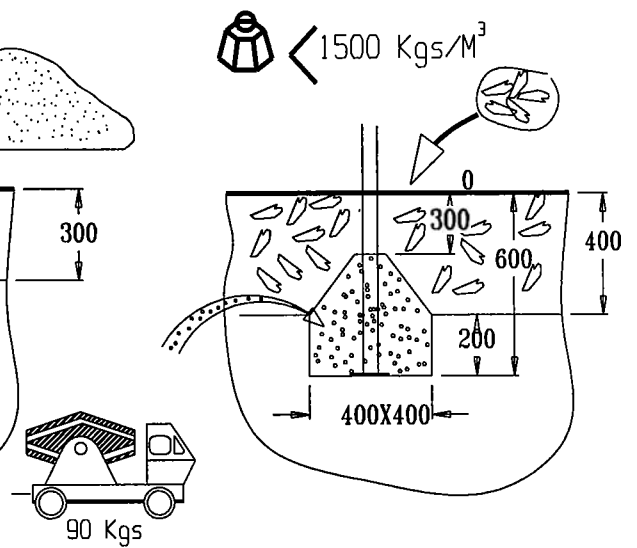
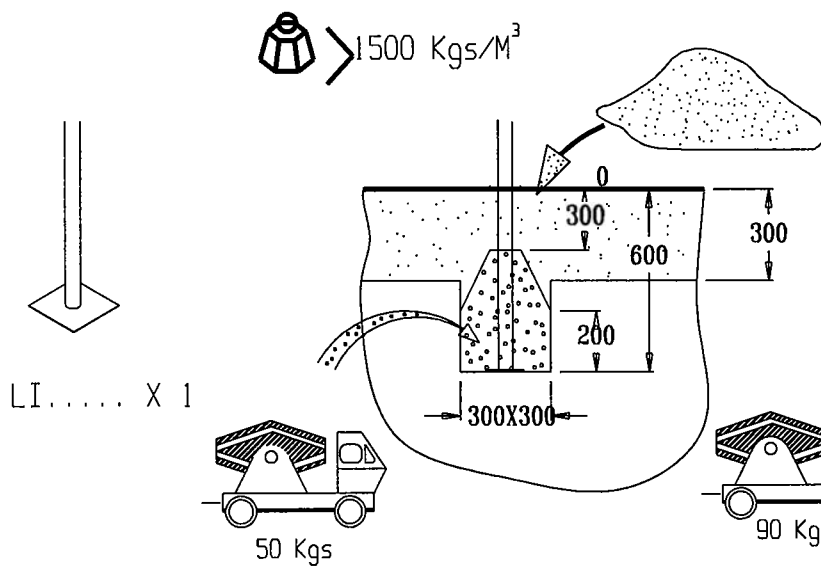
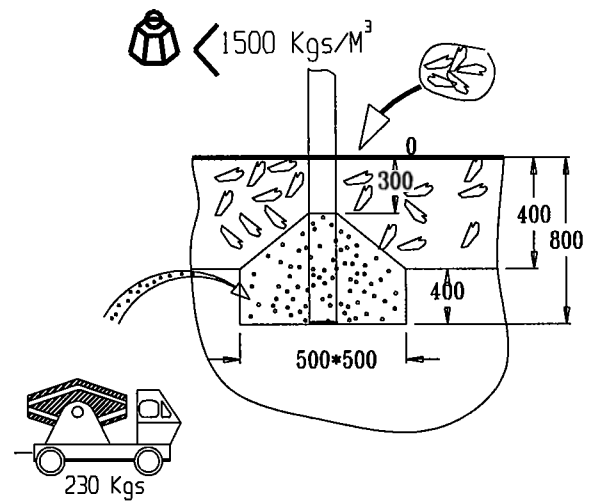
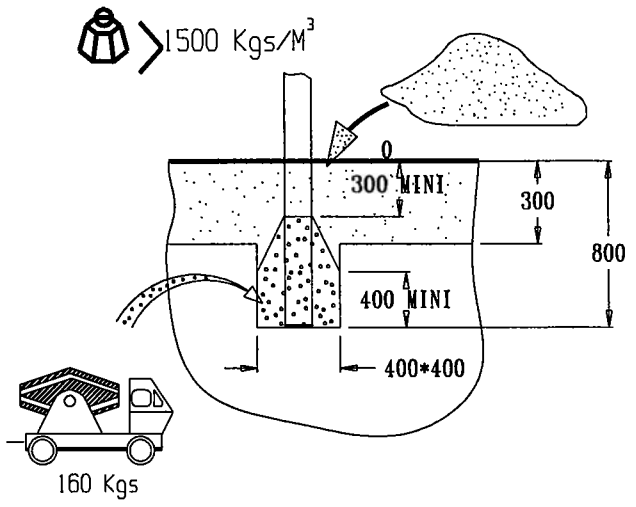
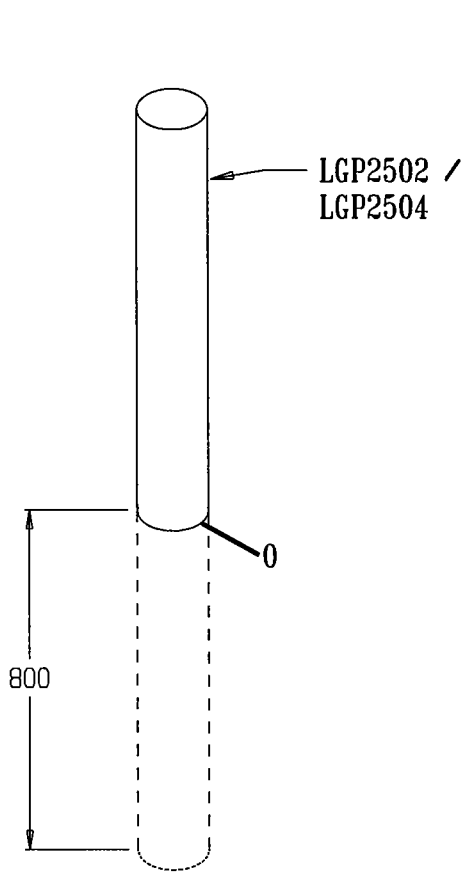


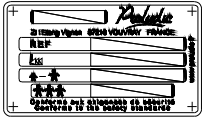
MI2701



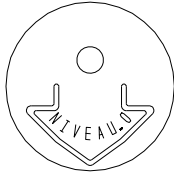
VBT



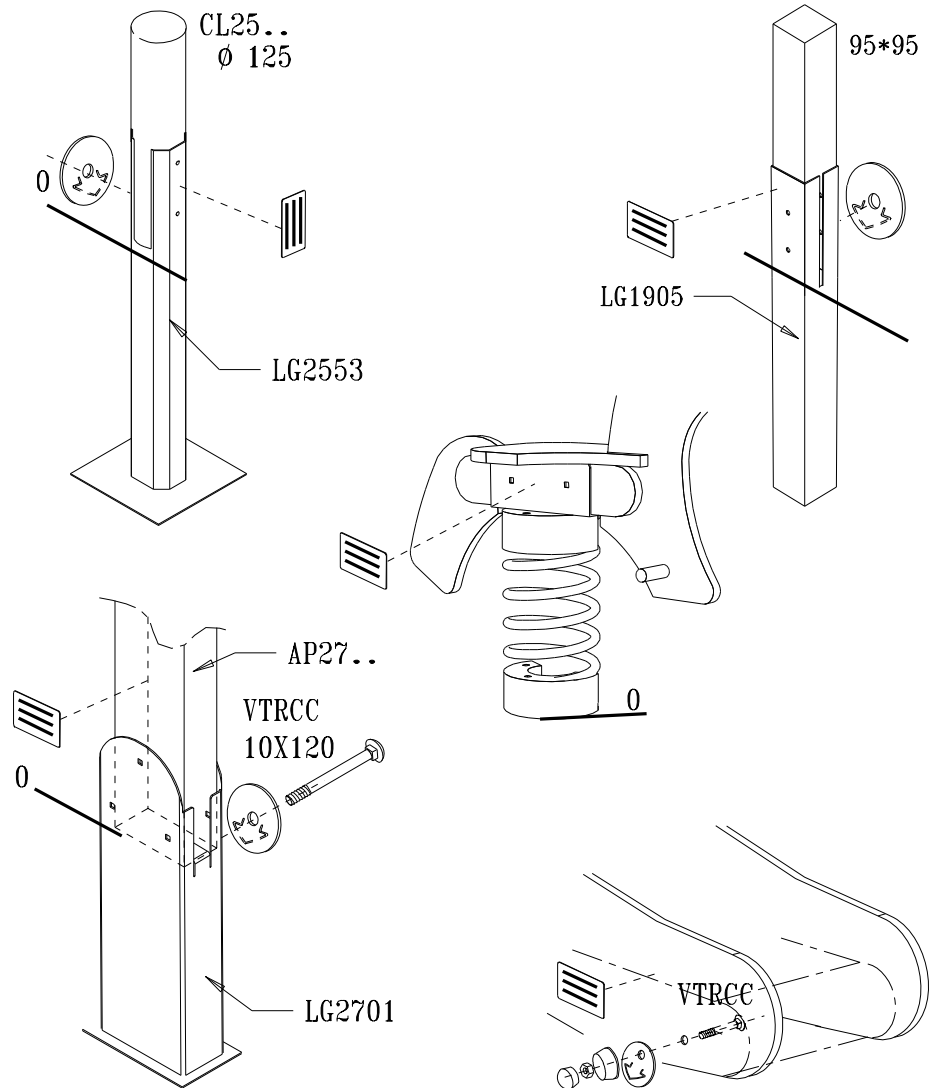
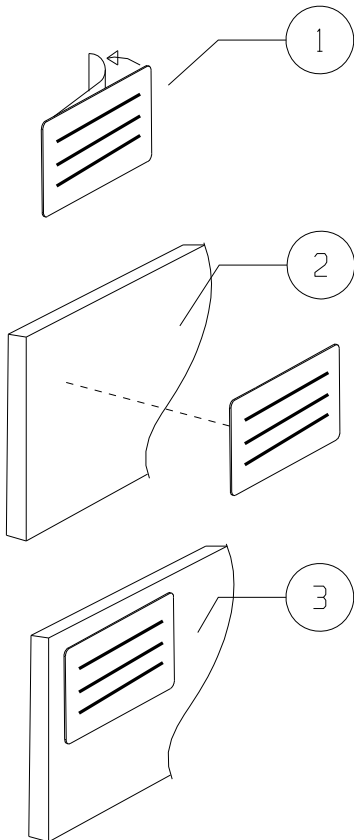
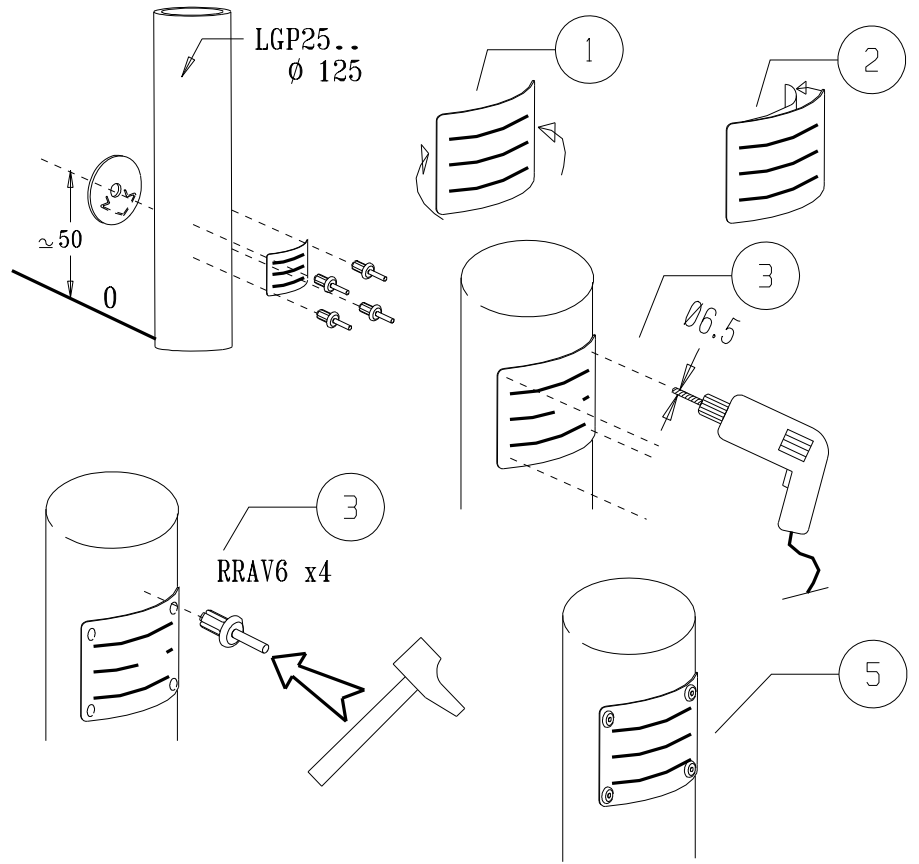


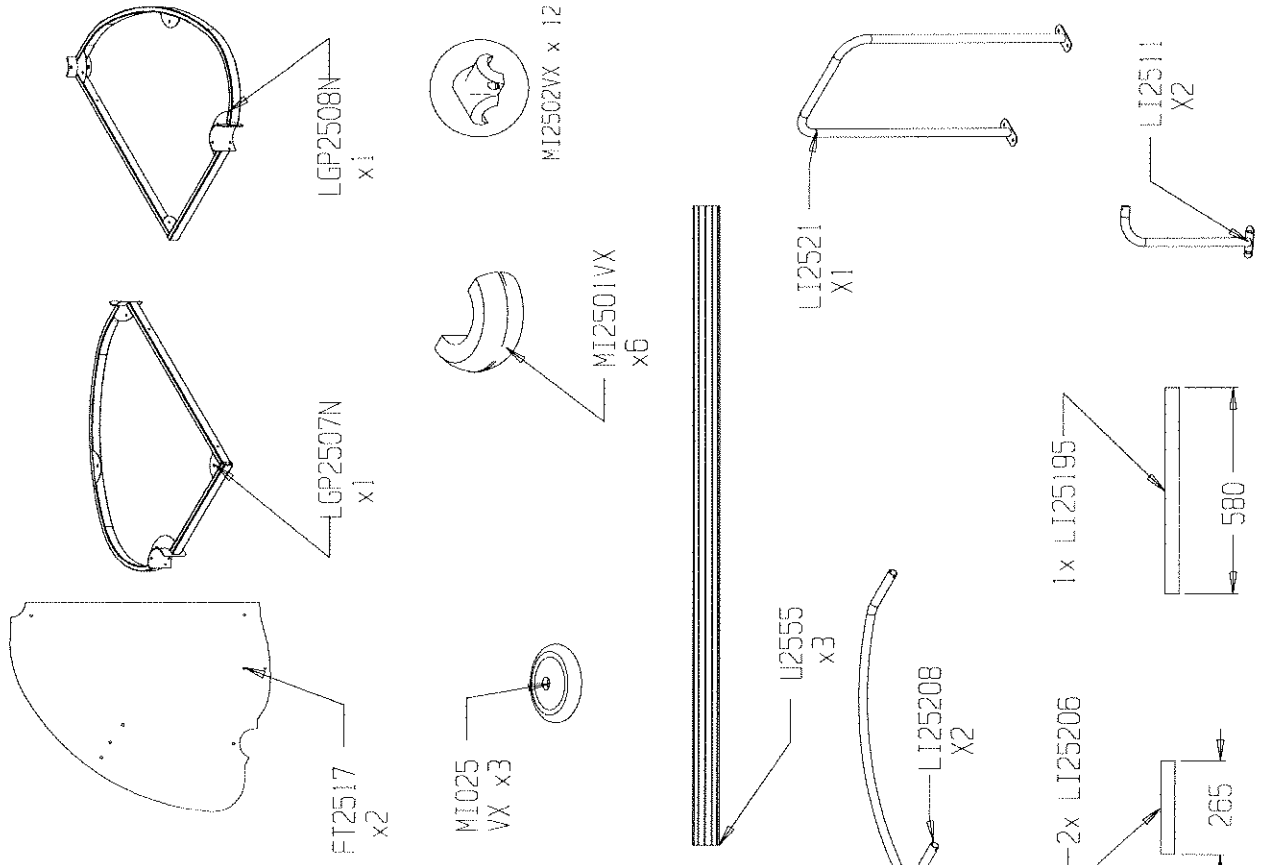
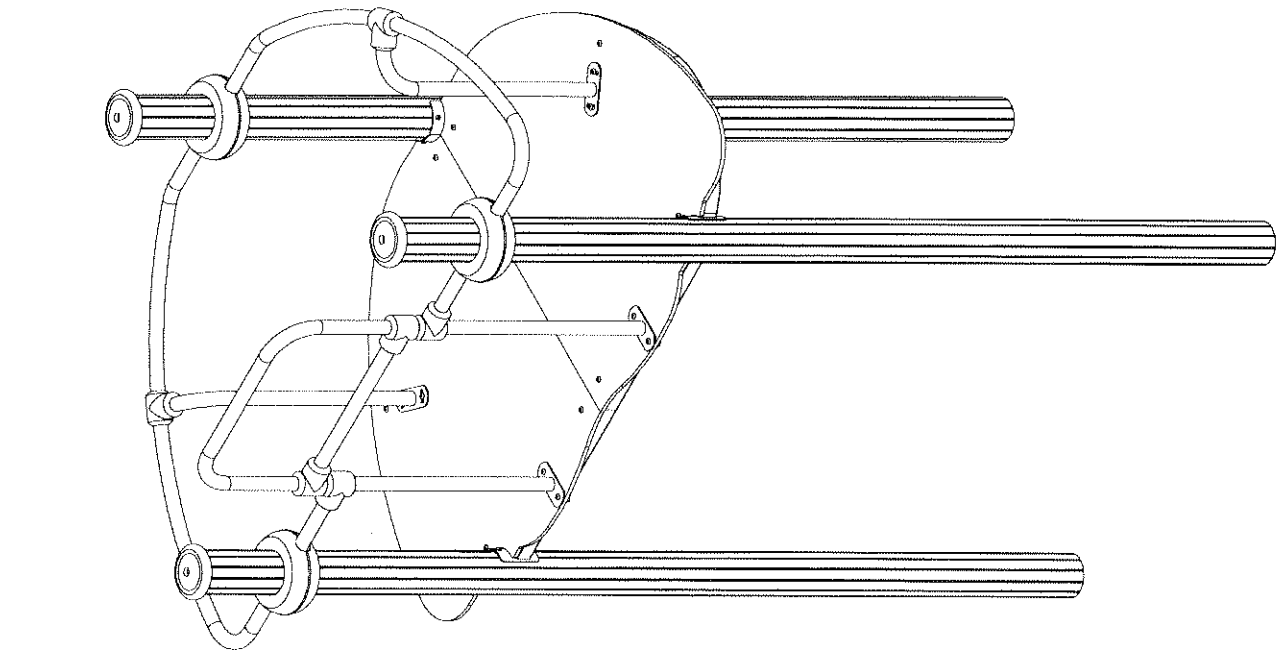


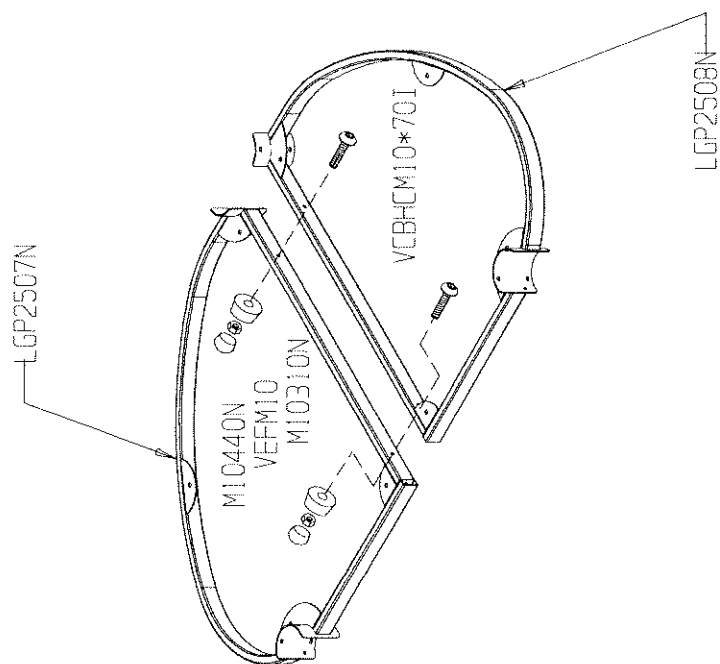
LA000



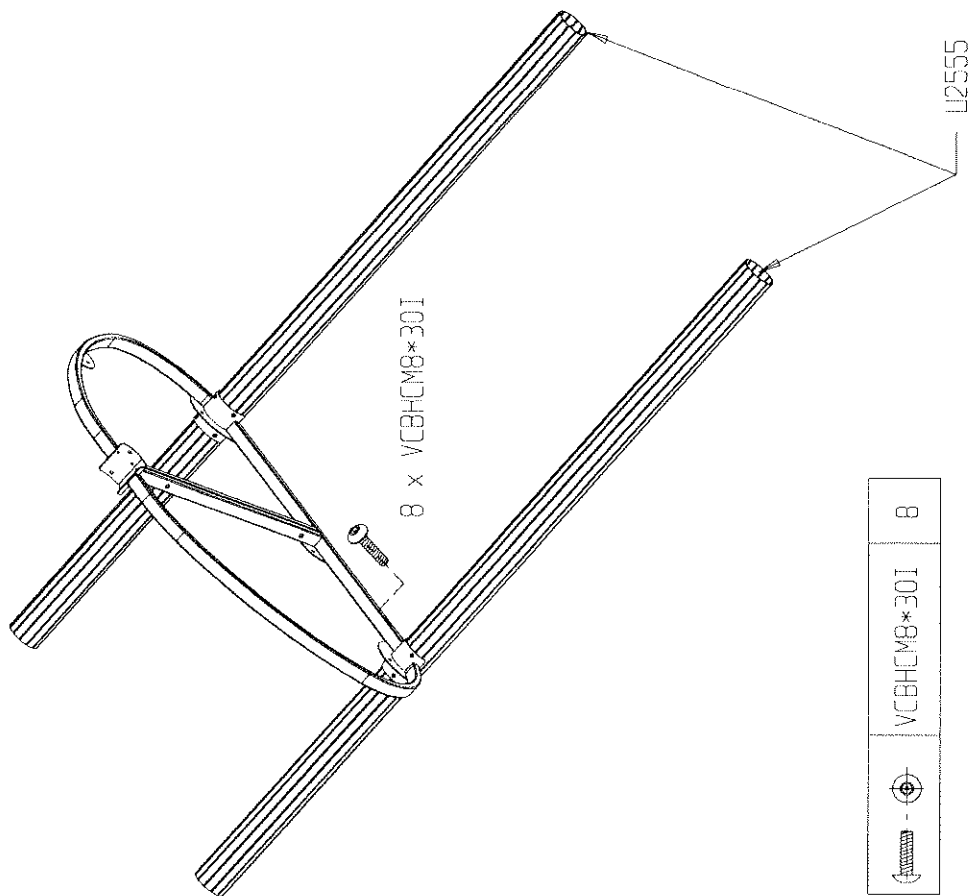
MI0002







	M10310N	2
	M10440N	2
	VCBHC10*70I	2
	VEFM10	2

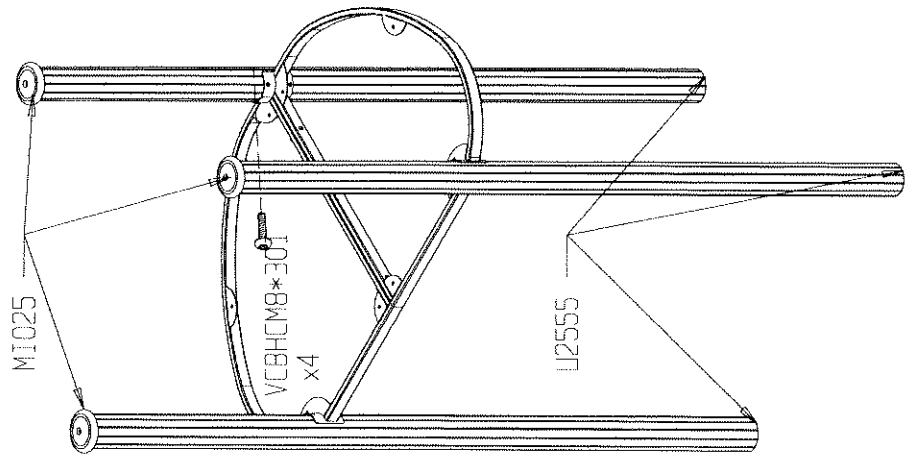
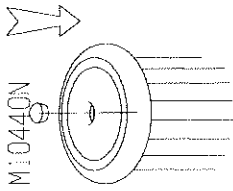
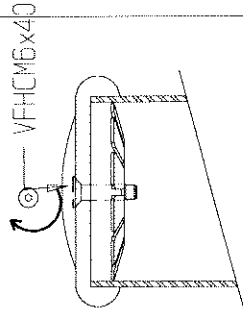
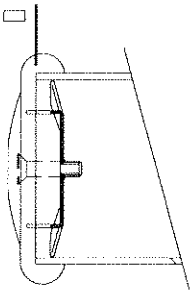
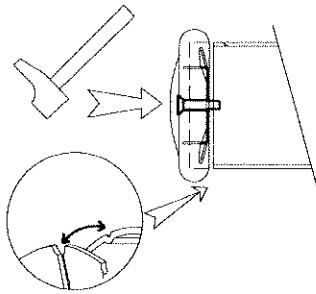
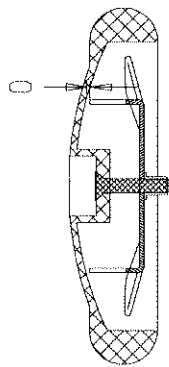
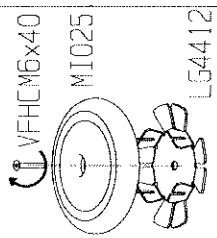


	VCBHC8*30I	8
--	------------	---

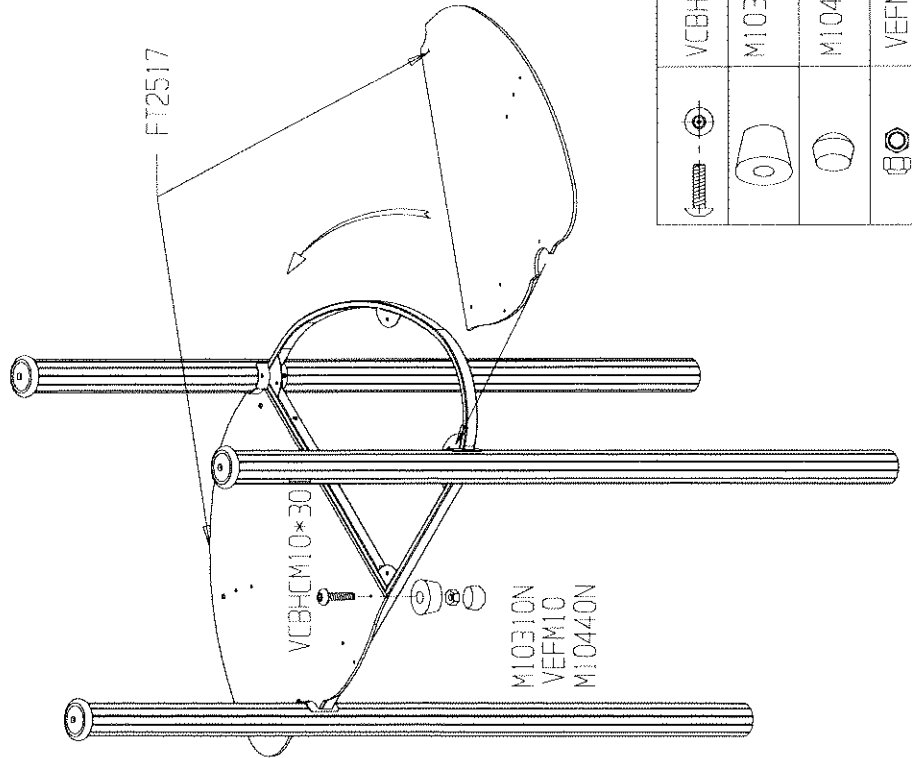
G2503M

3/5

Prologic

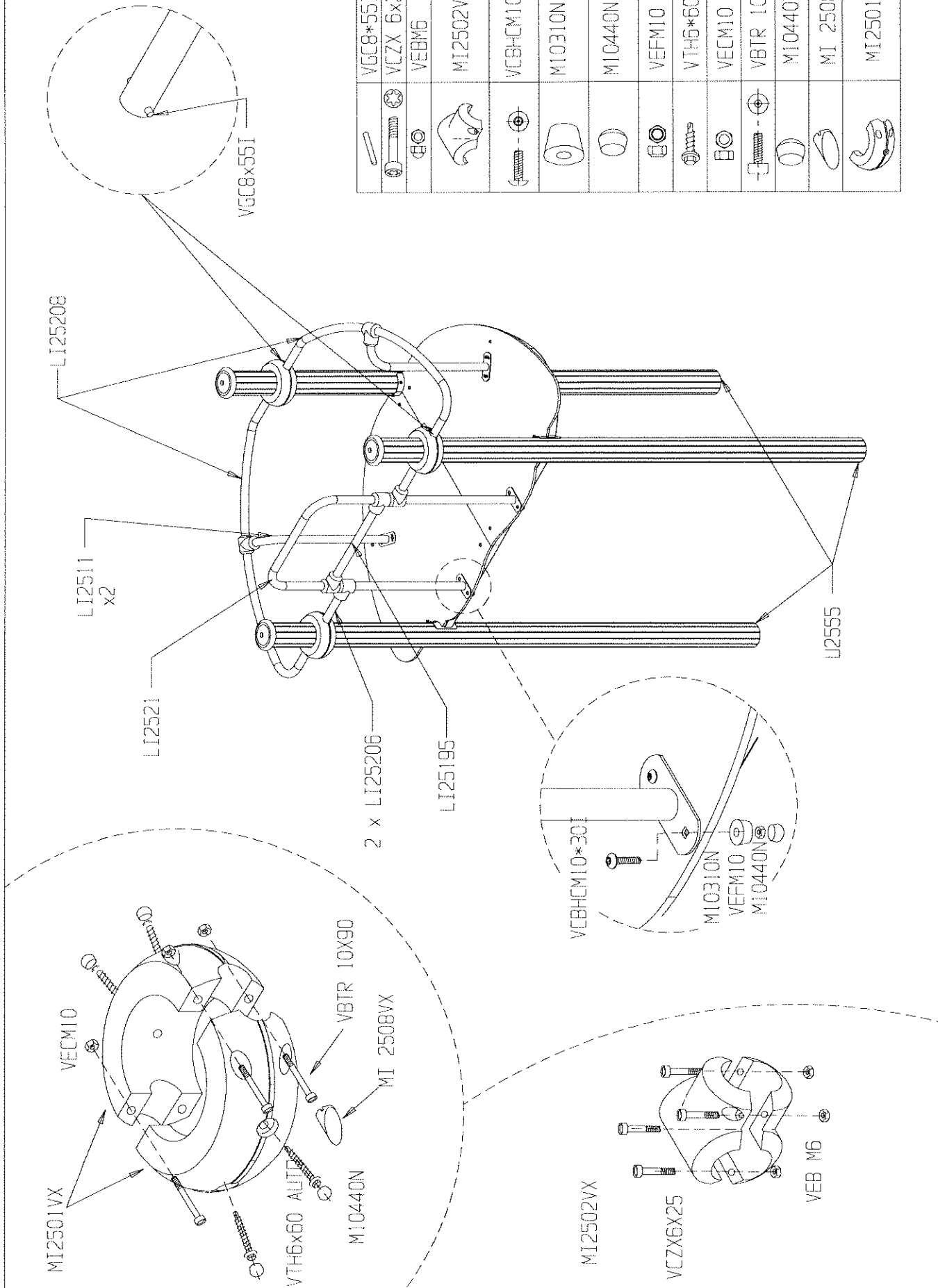


	VFHCM6x40	3
	MI 025VX	3
	MI0440N	3
	LG4412	3
	VCBHCM8*30I	4

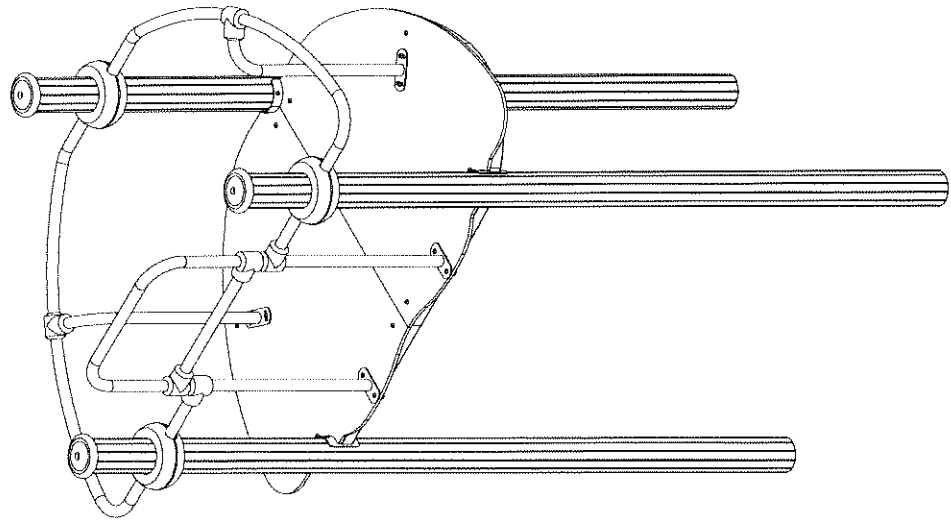
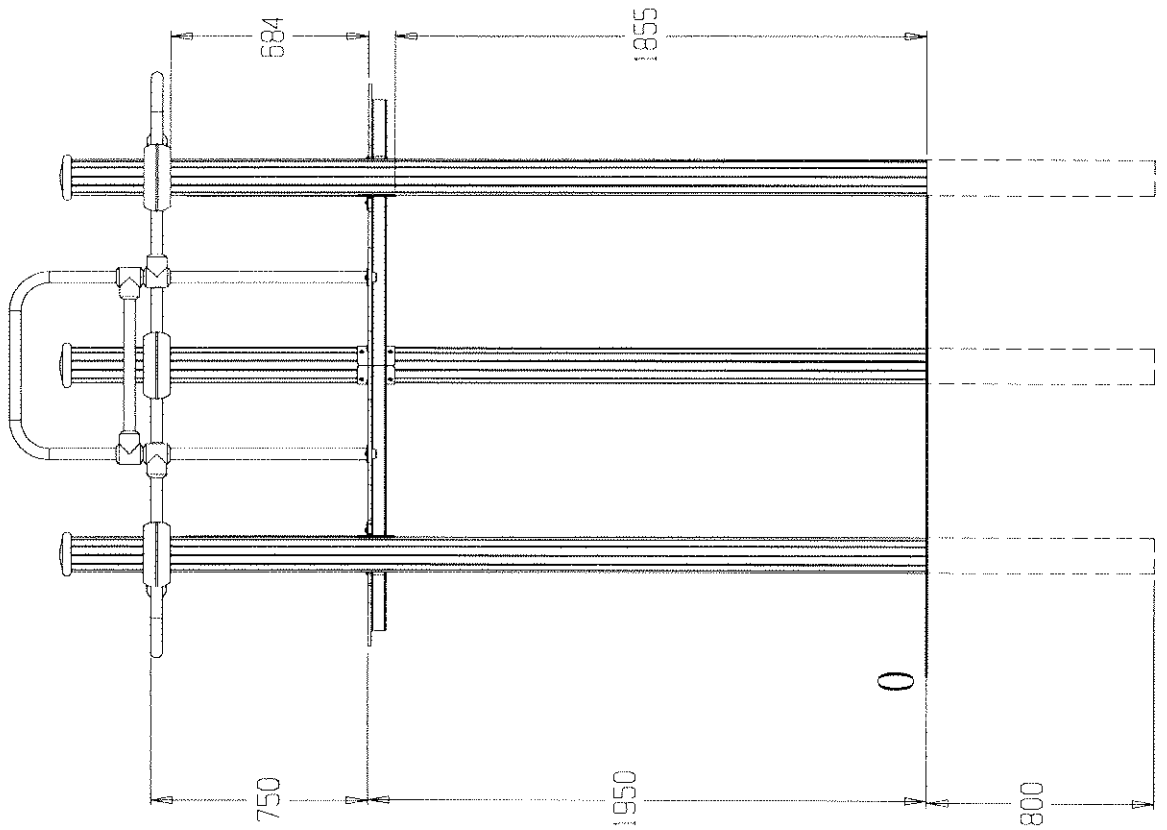


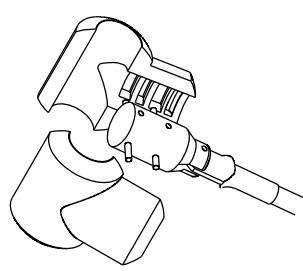
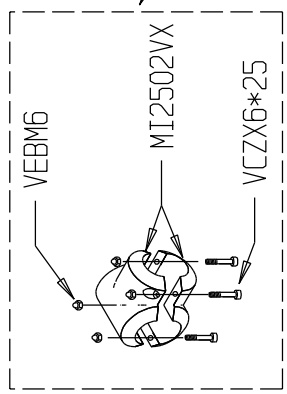
	VCBHCM10*30I	8
	MI0310N	8
	MI0440N	8
	VEFM10	8



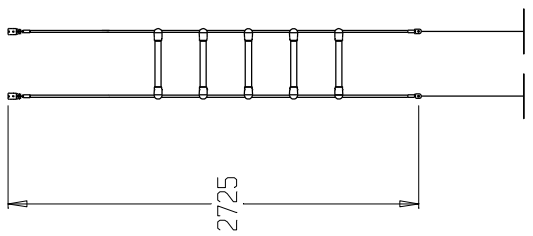
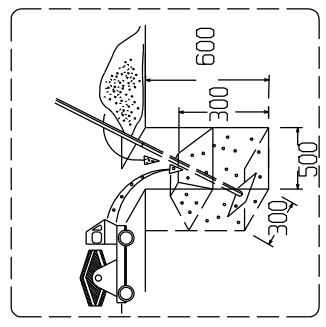
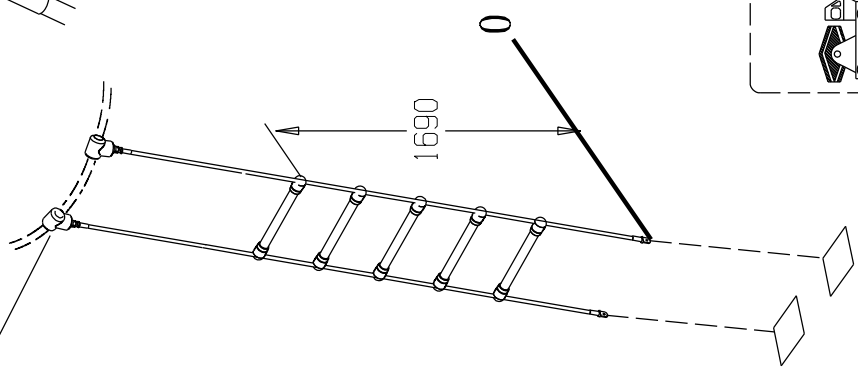
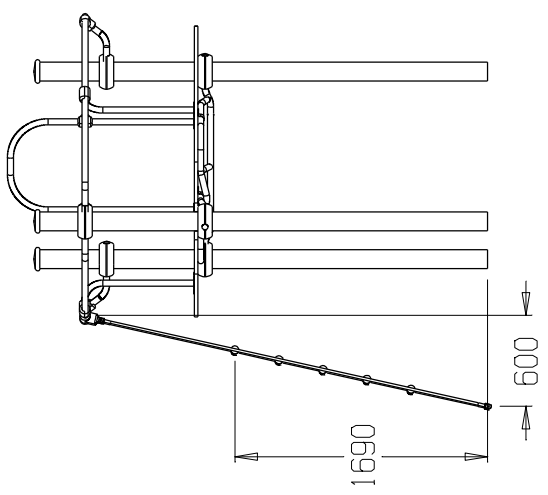


	VGC8*55T	4
	VCZX 6x25	24
	VEBM6	24
	MI2502VX	12
	VCBHC10*30I	10
	M10310N	10
	M10440N	10
	VEFM10	10
	VTH6*60 ALUTE	12
	VECM10	12
	VBTR 10x90	12
	M10440N	12
	MI 2508VX	24
	MI2501VX	6



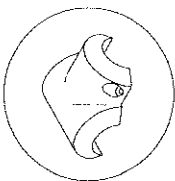
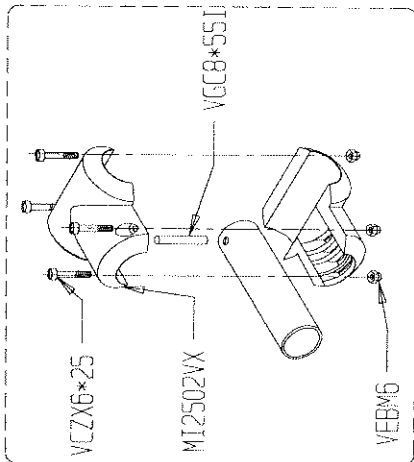


MI2502VX X 4



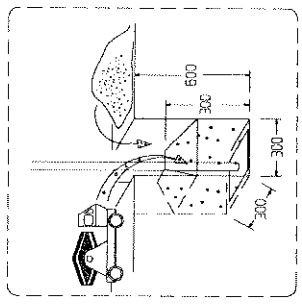
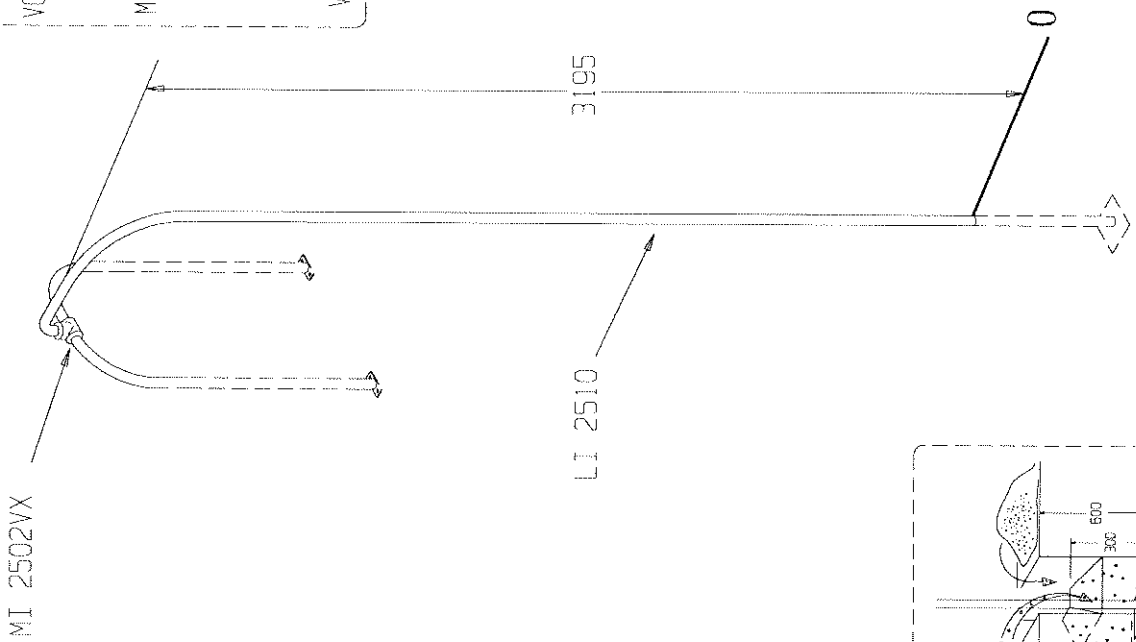
U2544x 1  
Lg 2725

	VCZX 6x25	8
	VEBM6	8

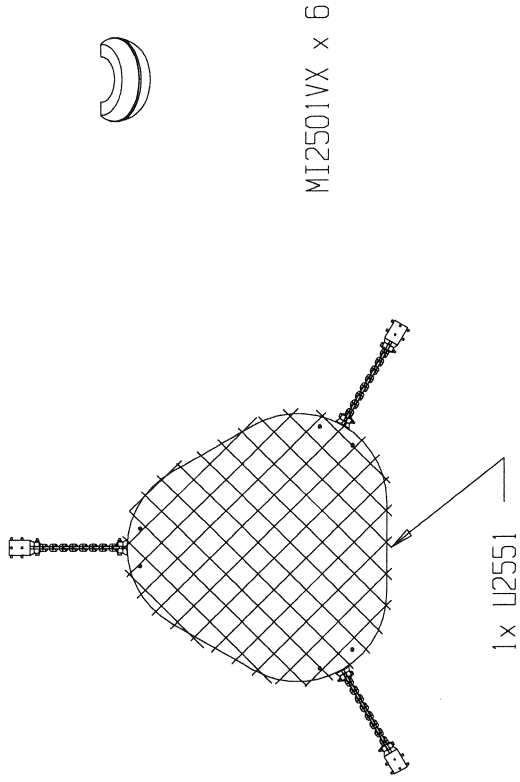
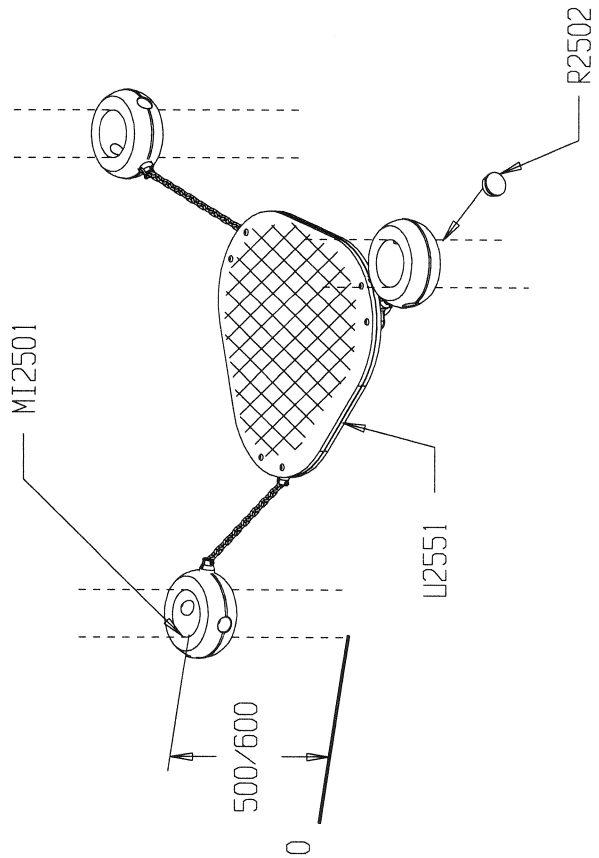
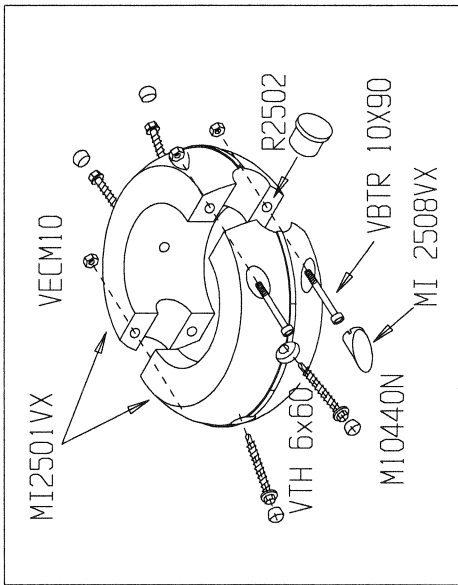


MI2502VX X 2

LI2510 X 1  
Lg 3795

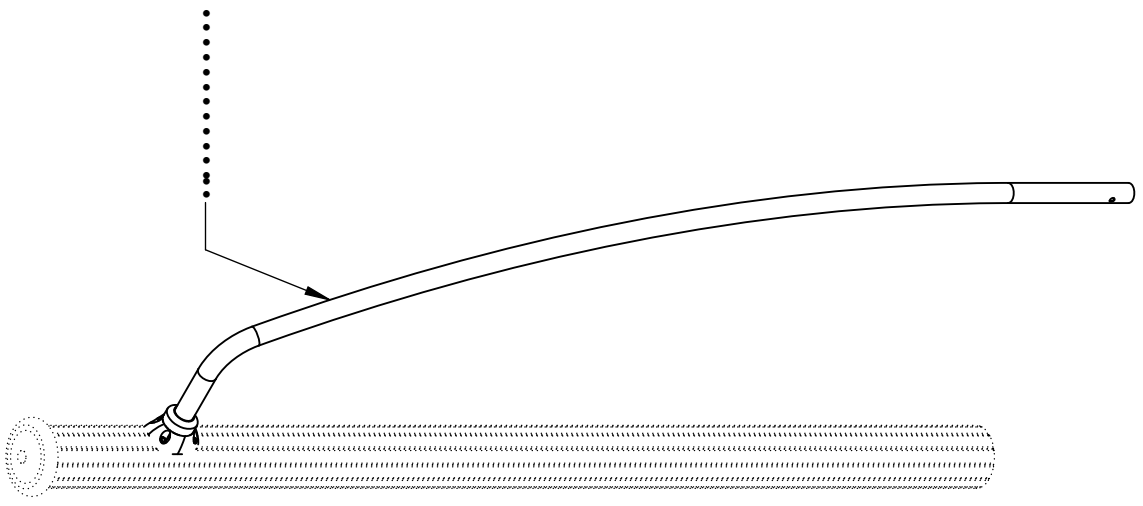
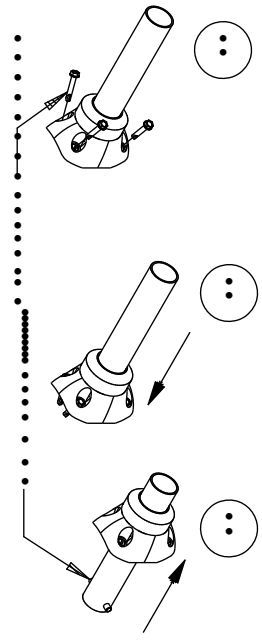


	VGC8*55I	1
	VCZX 6x25	4
	VEBM6	4



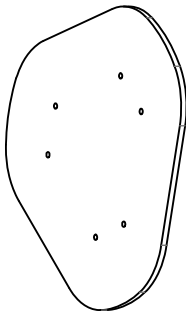
	VTH6x60 AUTO	12
	VEC M10	12
	VBTR 10x90	12
	M10440N	12
	MI 2508VX	24
	R 2502	3

MI2501VX x 6



••	••	••	••	••
••	••	••	••	••
••	••	••	••	••
••	••	••	••	••
••	••	••	••	••

1x  
FT2599



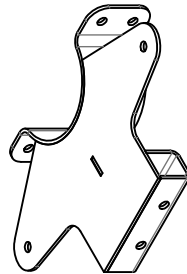
1x  
FT2598



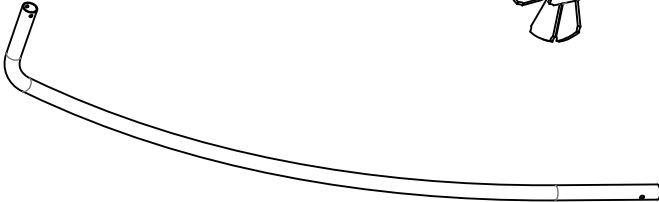
1x  
LGP25221



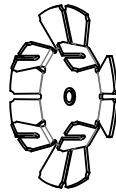
1x  
LGP25220



1x  
LI45298



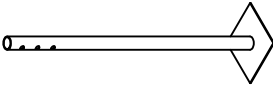
1x  
LG4412



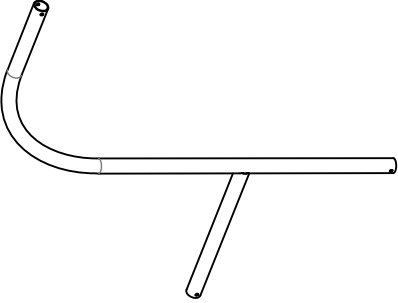
1x  
LGP2510



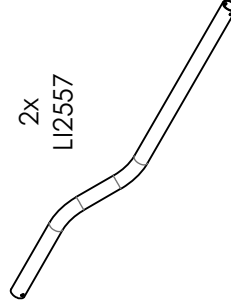
1x  
LG4502



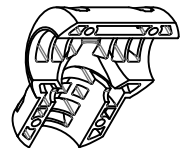
1x  
LI2553



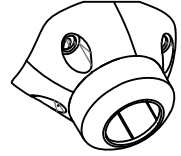
2x  
LI2557



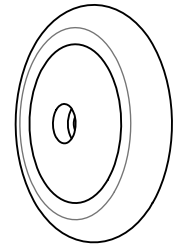
4x  
MI2502VX



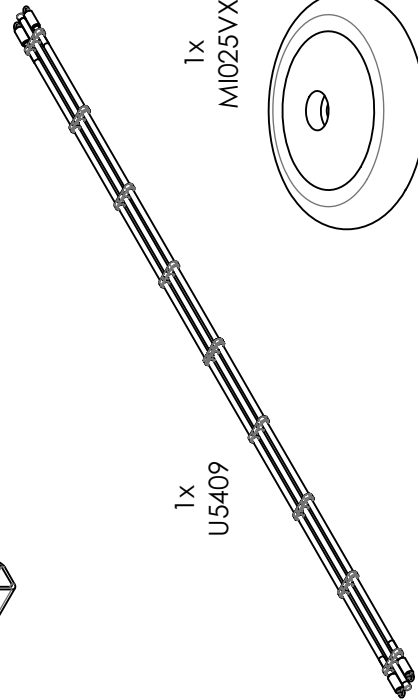
7x  
MI3701N



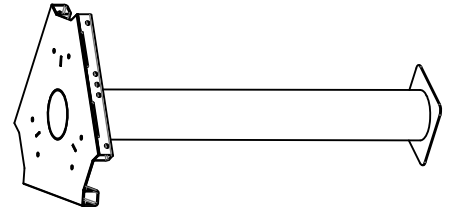
1x  
MI025VX



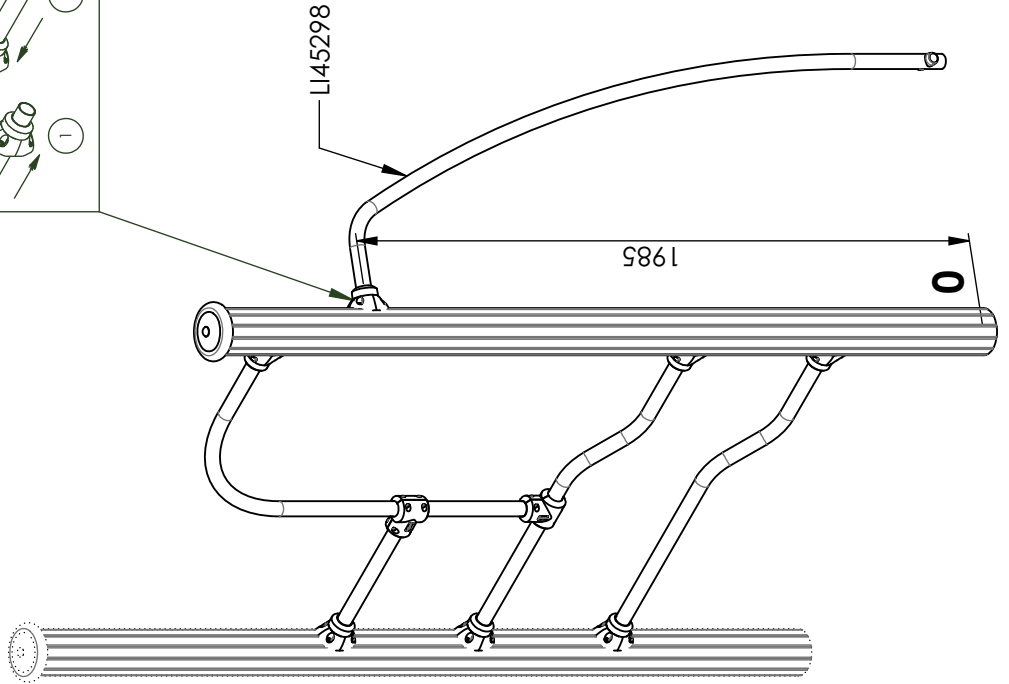
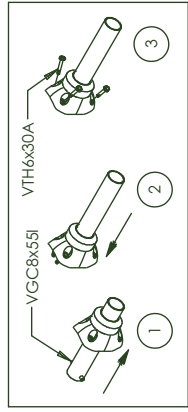
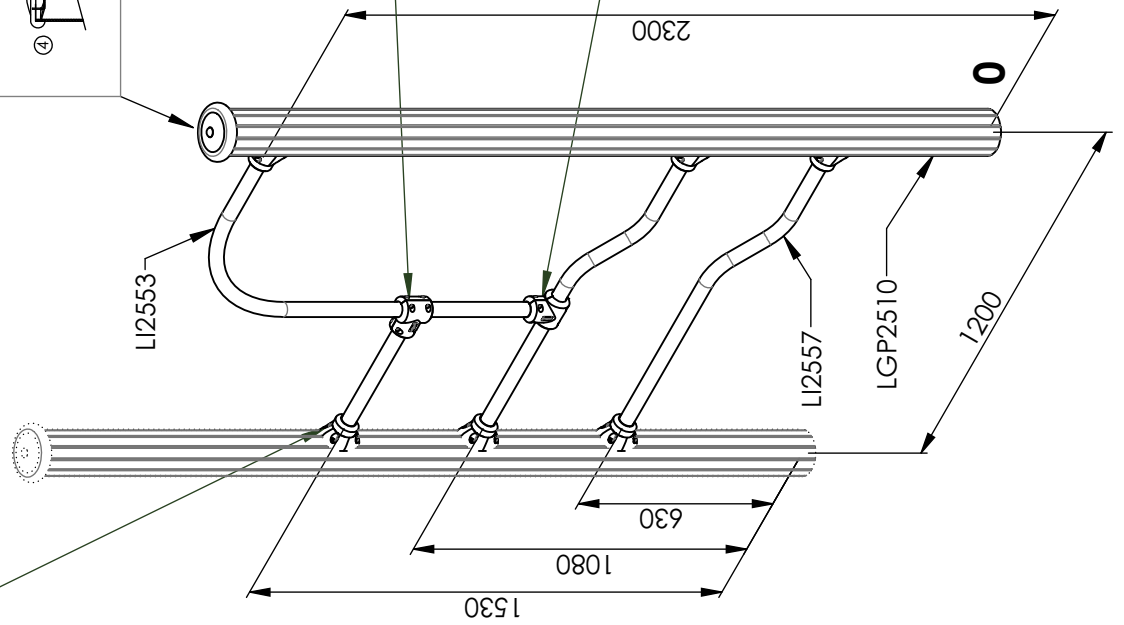
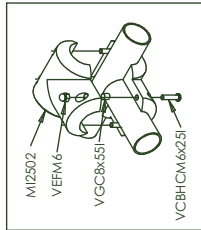
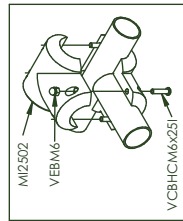
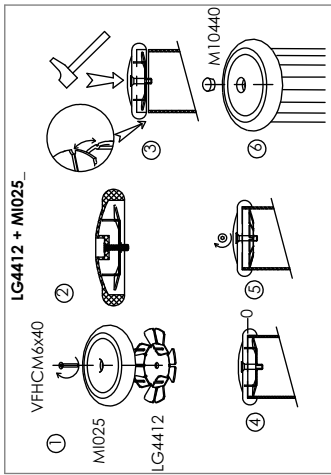
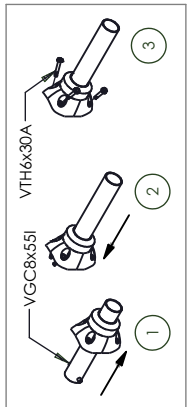
1x  
U5409



1x  
LG5403

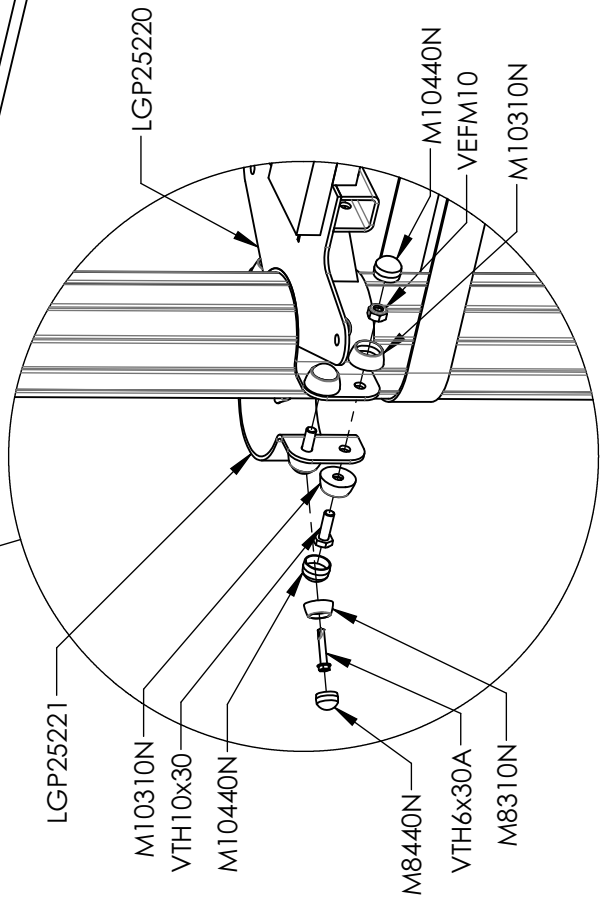
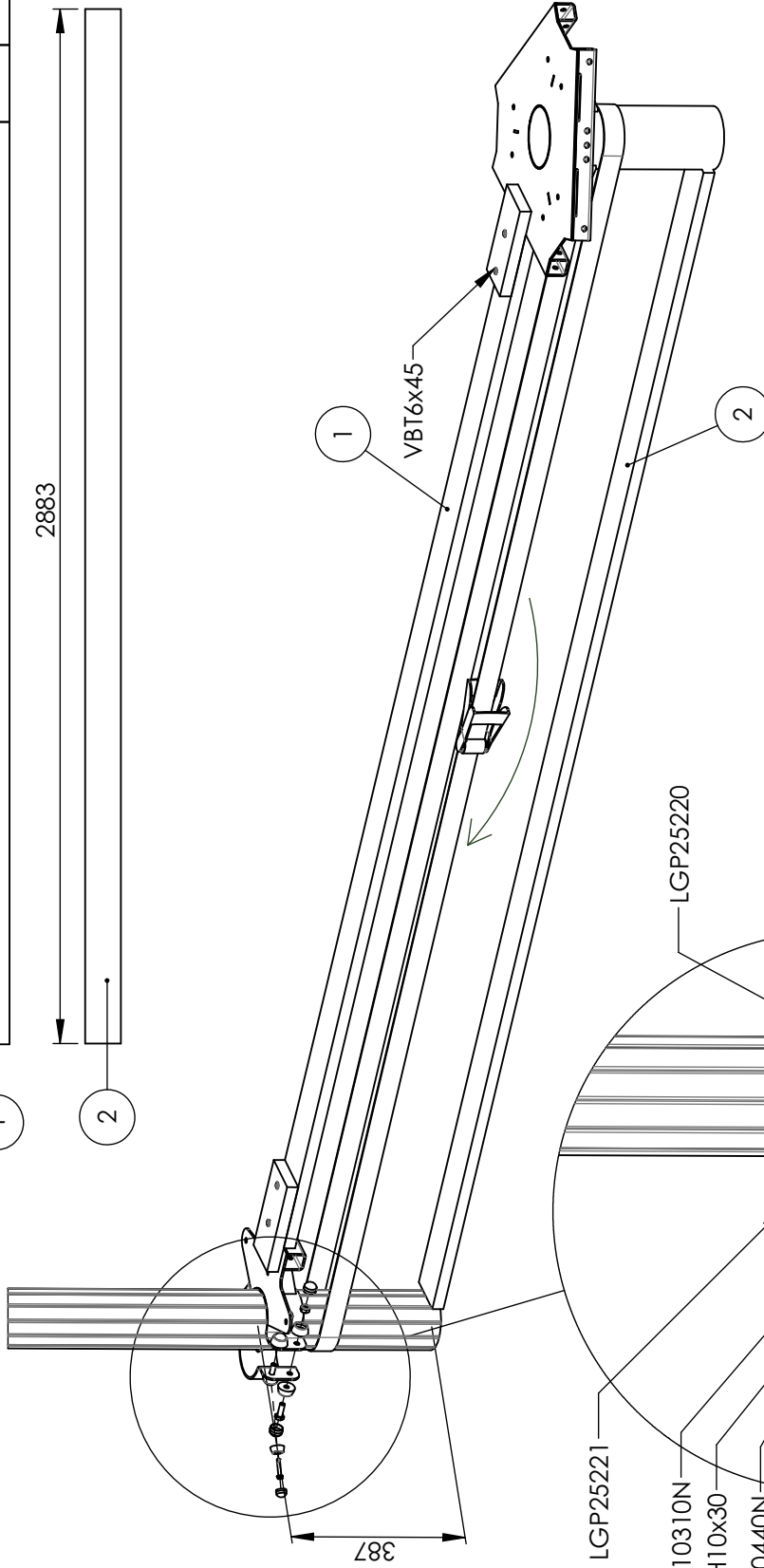
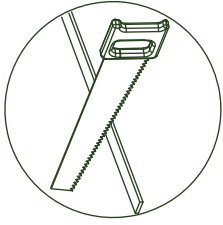
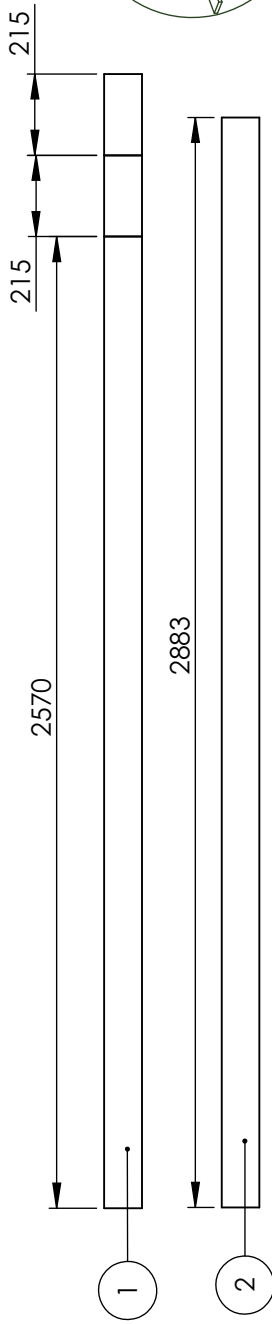


FT2598	1
FT2599	1
LG4412	1
LG4502	1
LG5403	1
LGP2510	1
LGP25220	1
LGP25221	1
LI035	4
LI2553	1
LI2557	2
LI45298	1
M11	13
M4040	8
M8310N	4
M8440N	4
M10310N	20
M10440N	19
MI025VX	1
MI32N	4
MI2502VX	4
MI2503N	2
MI3701N	7
U5409	1
VCBHC6M6x25I	8
VCBHC6M10x30I	8
VEBM6	8
VEFM10	17
VFHC6M6x40	1
VGC8x55I	8
VTH6x30A	32
VTH10x30	4
VTH10x60	1
VEFBM10	4



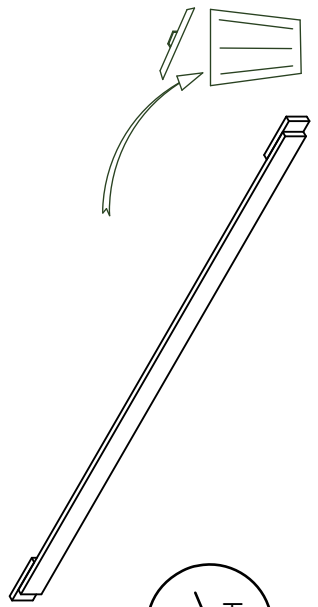


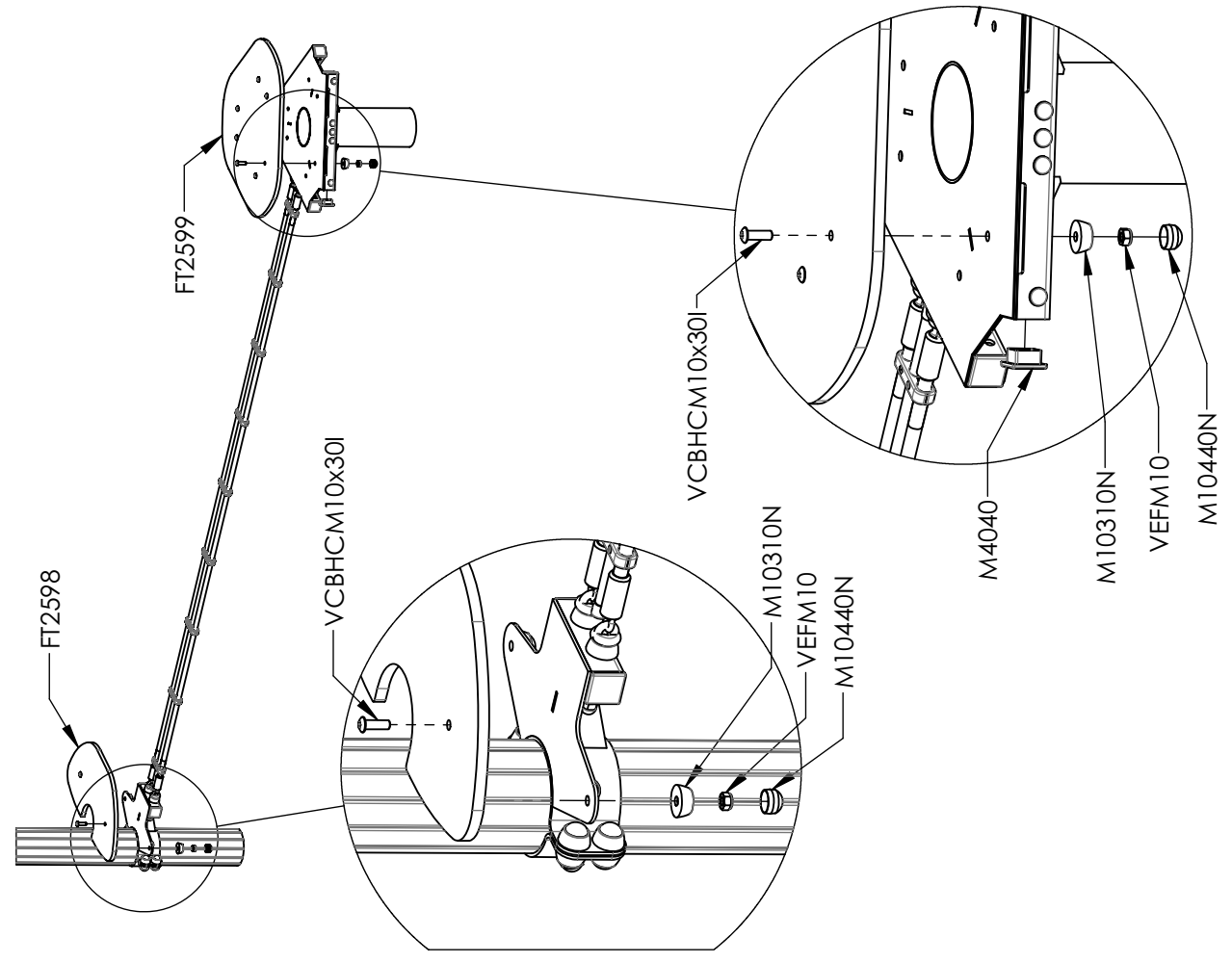
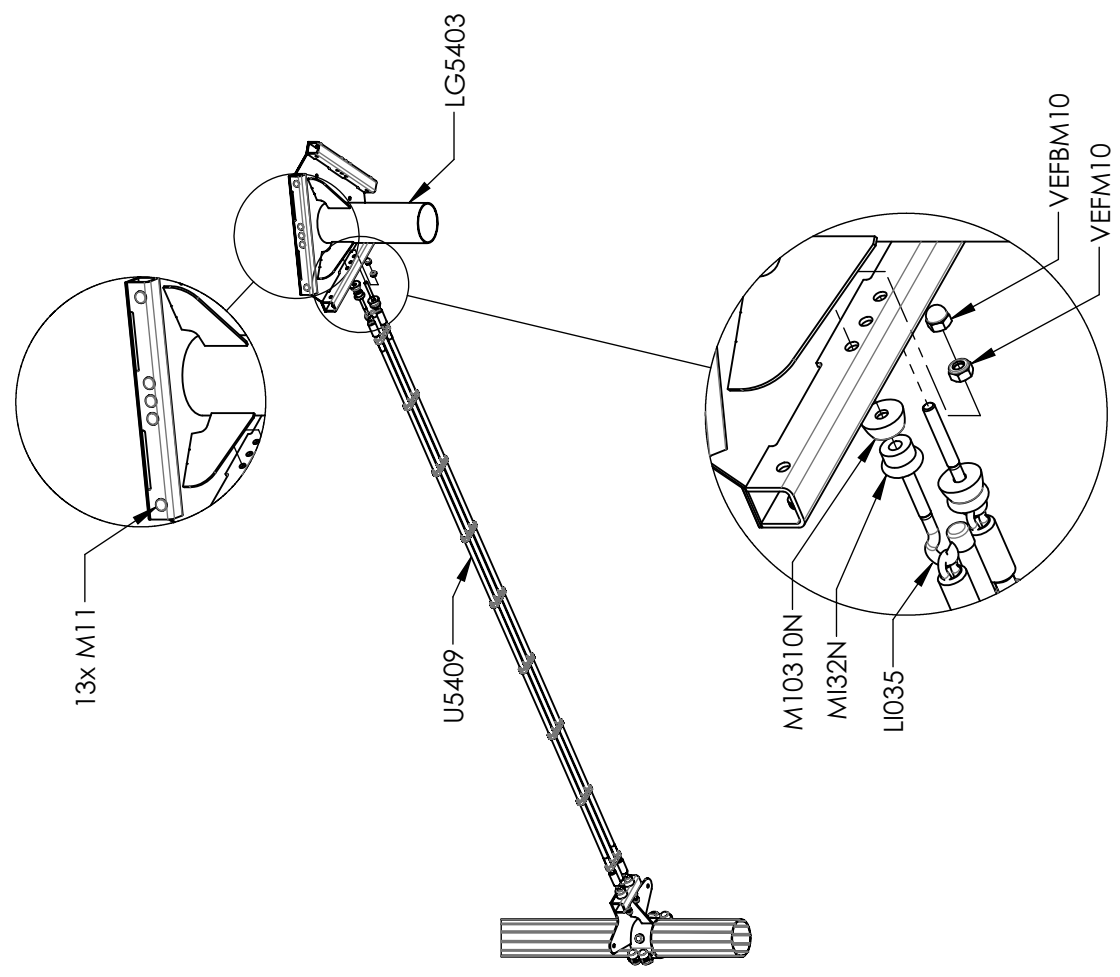
1

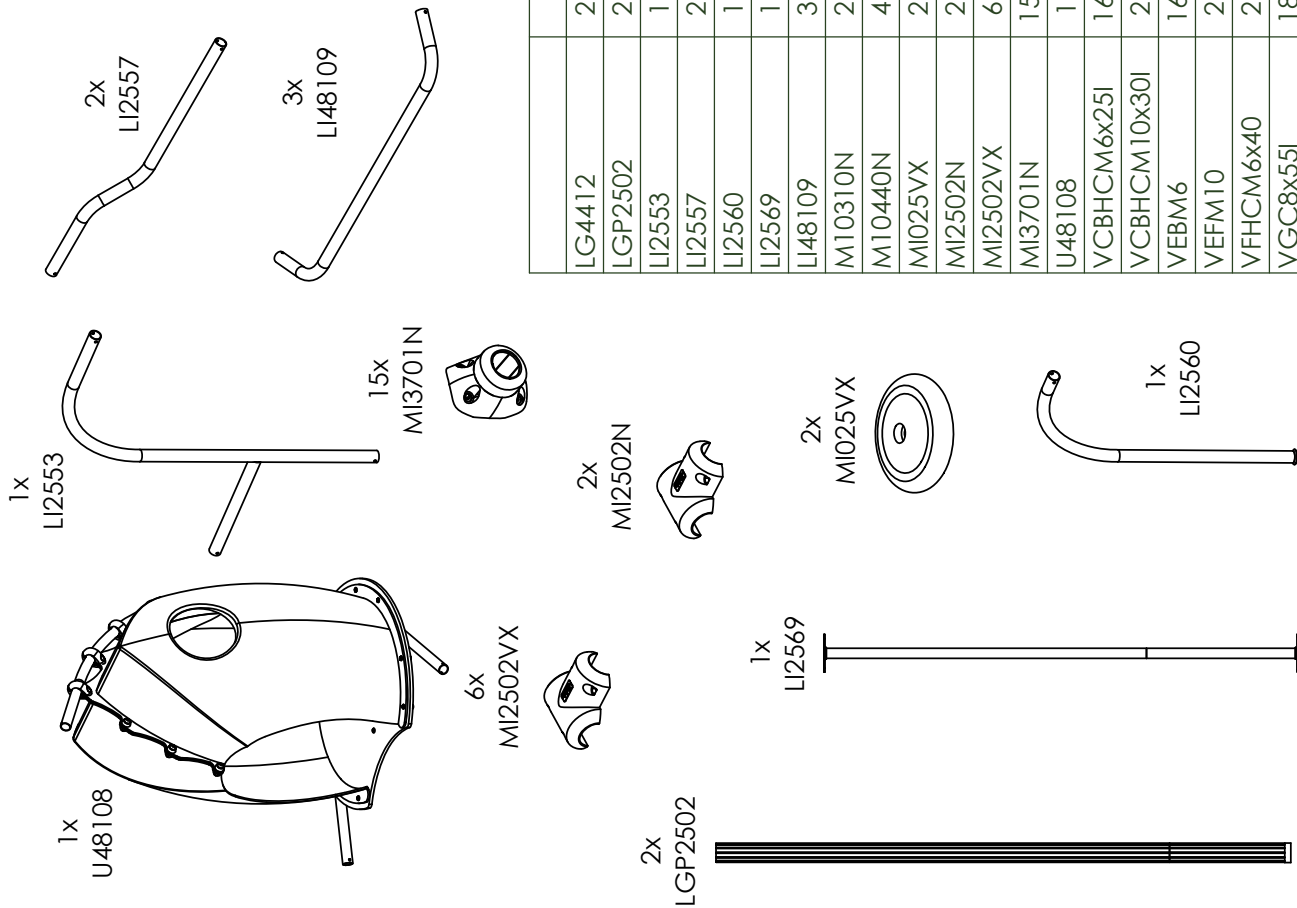
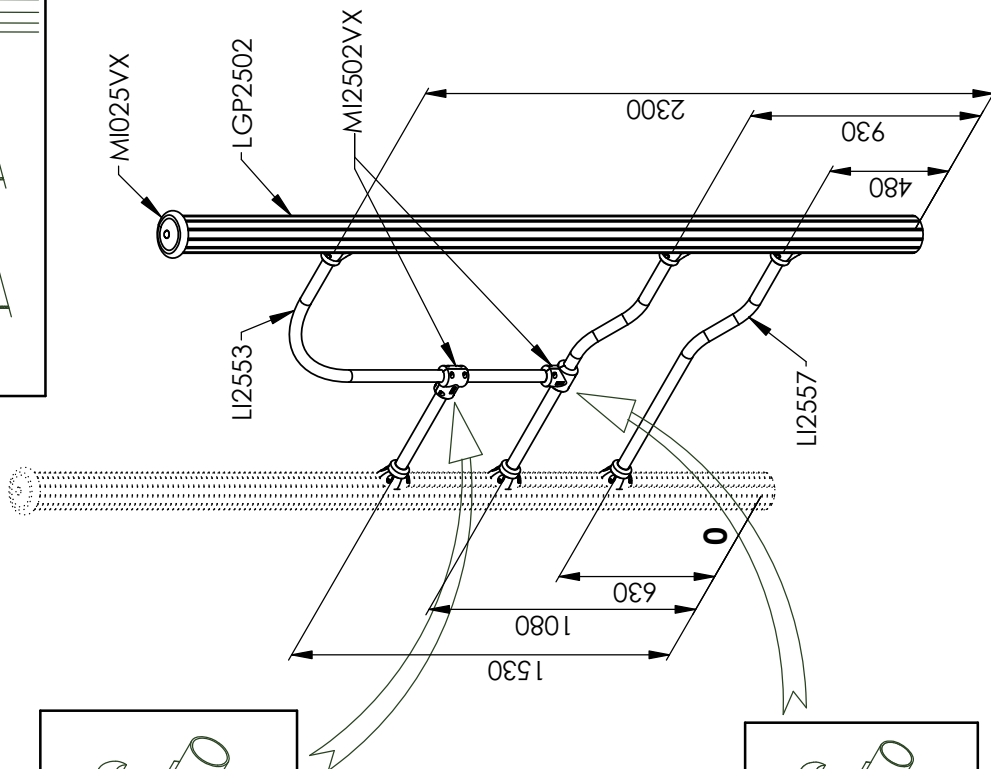
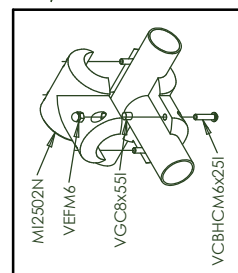
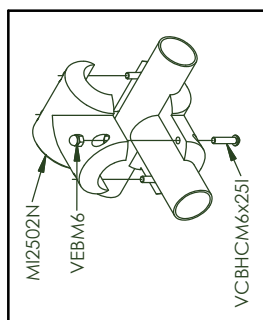
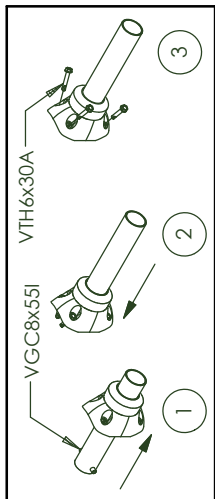
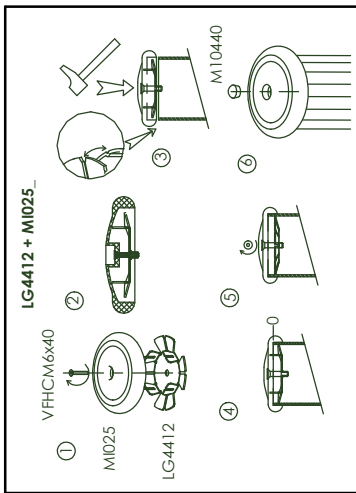


3

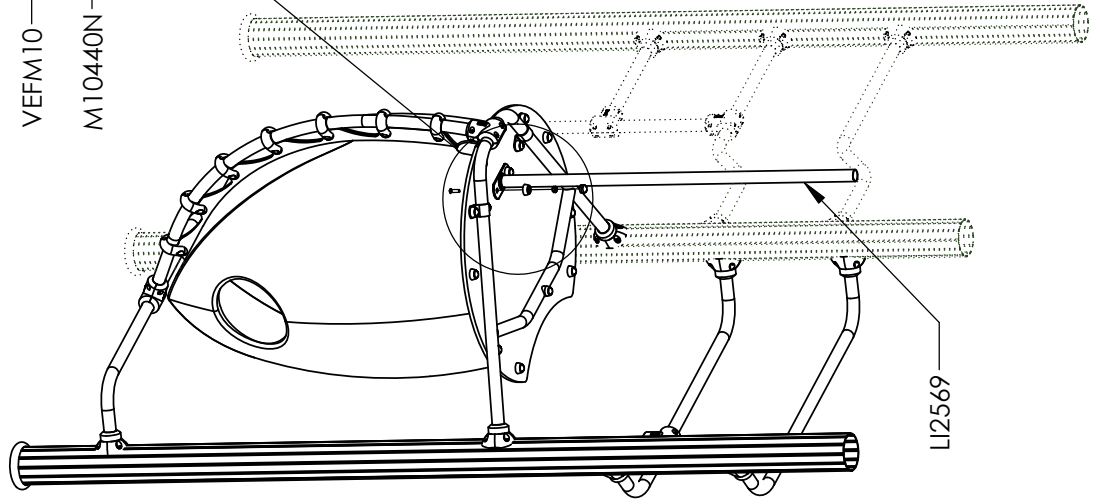
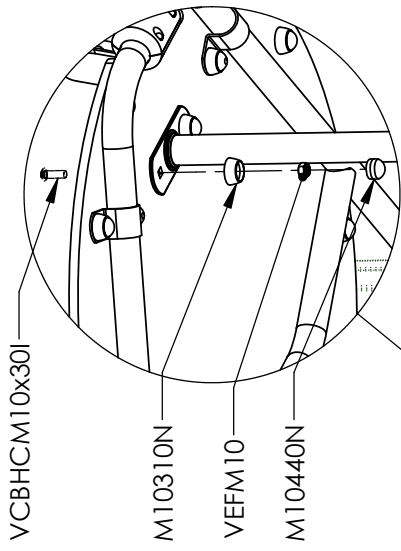
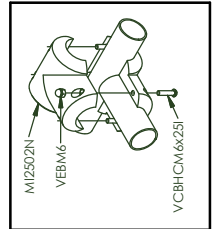
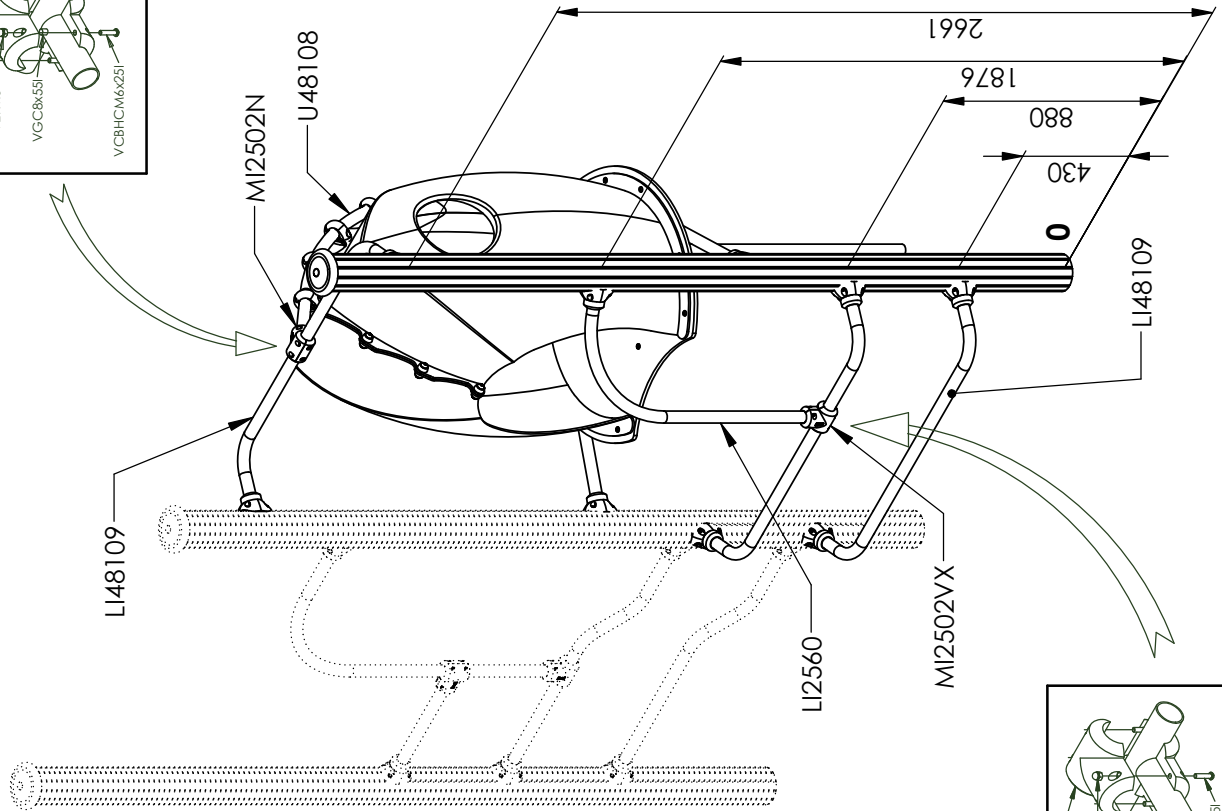
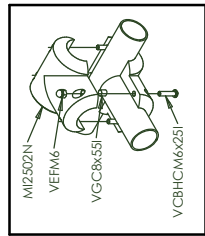
2

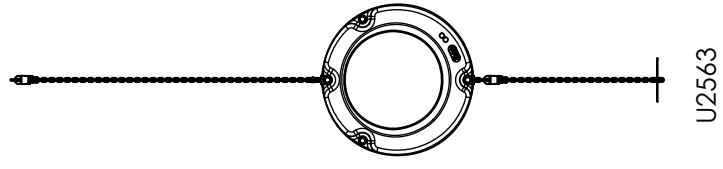
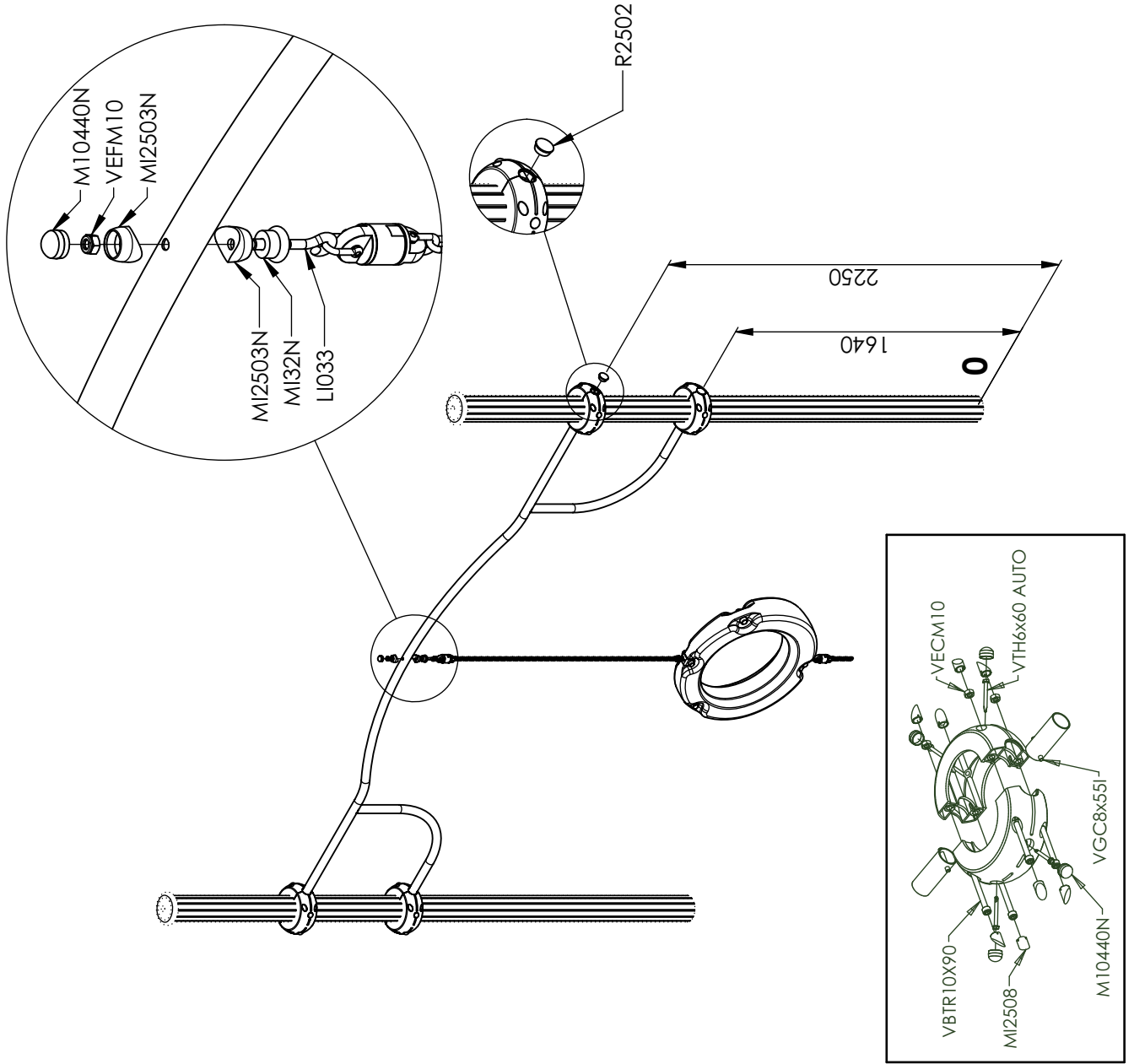






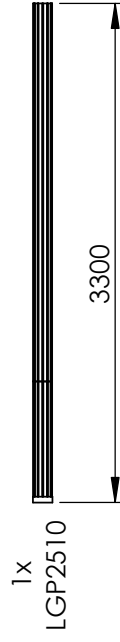
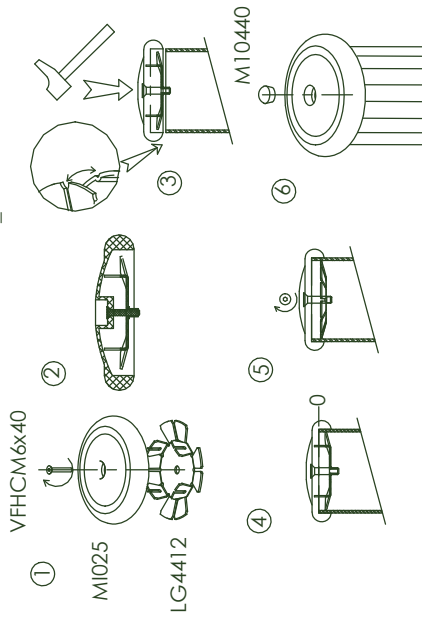
LG4412	2
LGP2502	2
LI2553	1
LI2557	2
LI2560	1
LI2569	1
LI48109	3
M10310N	2
M10440N	4
MI025VX	2
MI2502N	2
MI2502VX	6
MI3701N	15
U48108	1
VCBHCM6x25I	16
VCBHCM10x30I	2
VEBM6	16
VEFM10	2
VFHCM6x40	2
VGC8x55I	18
VTH6x30A	60





Ref	Qte
LI2588	1
M10440N	17
MI2501VX	8
MI2508	32
R2502	4
U2563	1
VBTR10X90	16
VECM10	16
VGC8x55I	2
VTH6x60 AUTO	16
LI033	1
MI32N	1
MI2503N	2
VEFM10	1

**LG4412 + MI025\_**



LG4412	1
LGP2510	1
M10440N	1
MI025VX	1
VFHCM6x40	1