


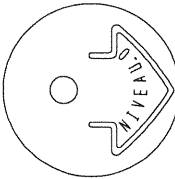
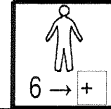
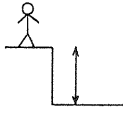



-  VBT6*35
- +
-  M8310N
- +
-  M8440N
- +
-  MI0002

LA000



Pro ludic

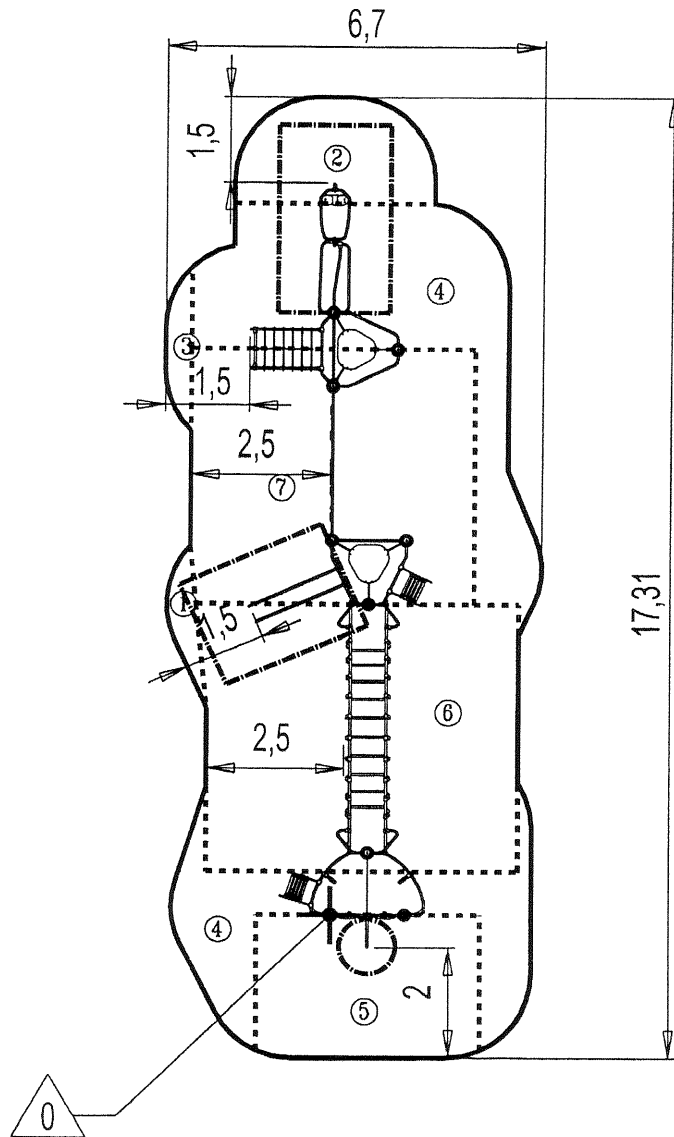
N°		
①	0.6 m	1 m ²
②	0.7 m	6 m ²
③	1 m	1 m ²
④	1.95 m	27.5 m ²
⑤	2.2 m	10.5 m ²
⑥	2.4 m	27 m
⑦	3 m	23 m ²

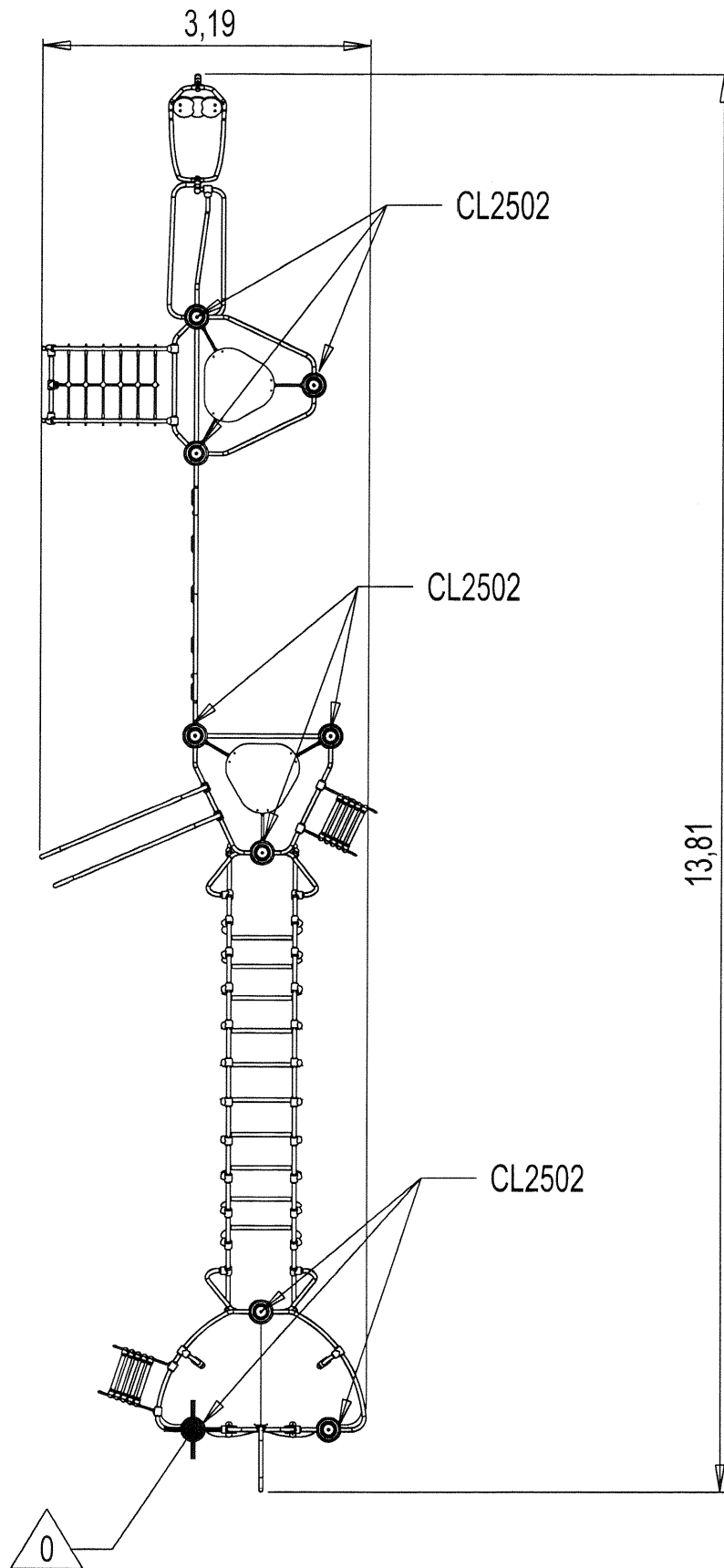
— Zone d'Impact
Impact Area
Area de Impacto
Fallraum
Valzone

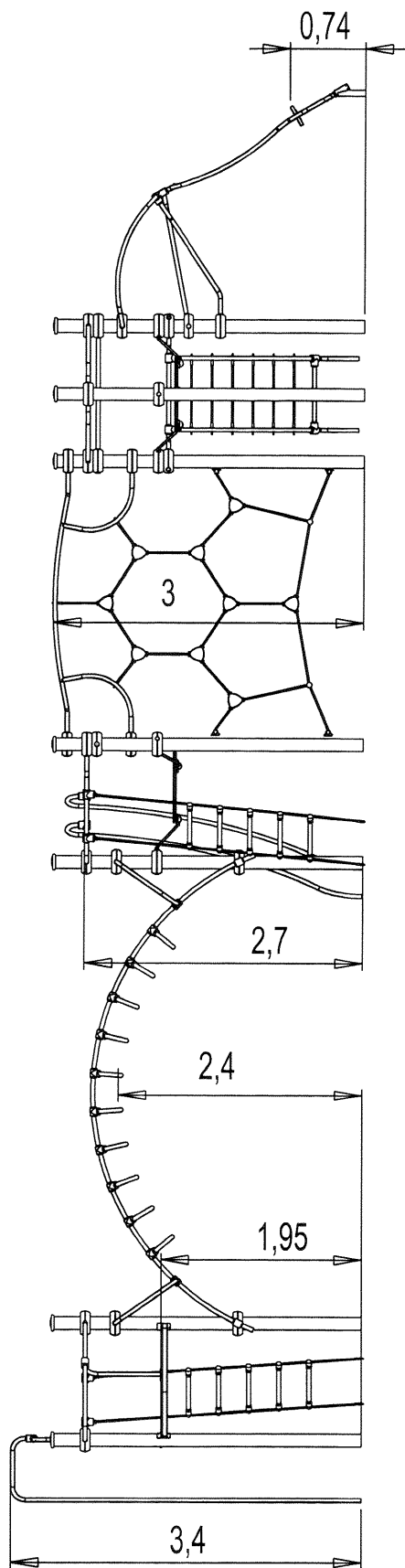
EN1176-1 : 2017

- - - Espace libre
Free Space
Espacio Libre
Freiraum
Vrije ruimte

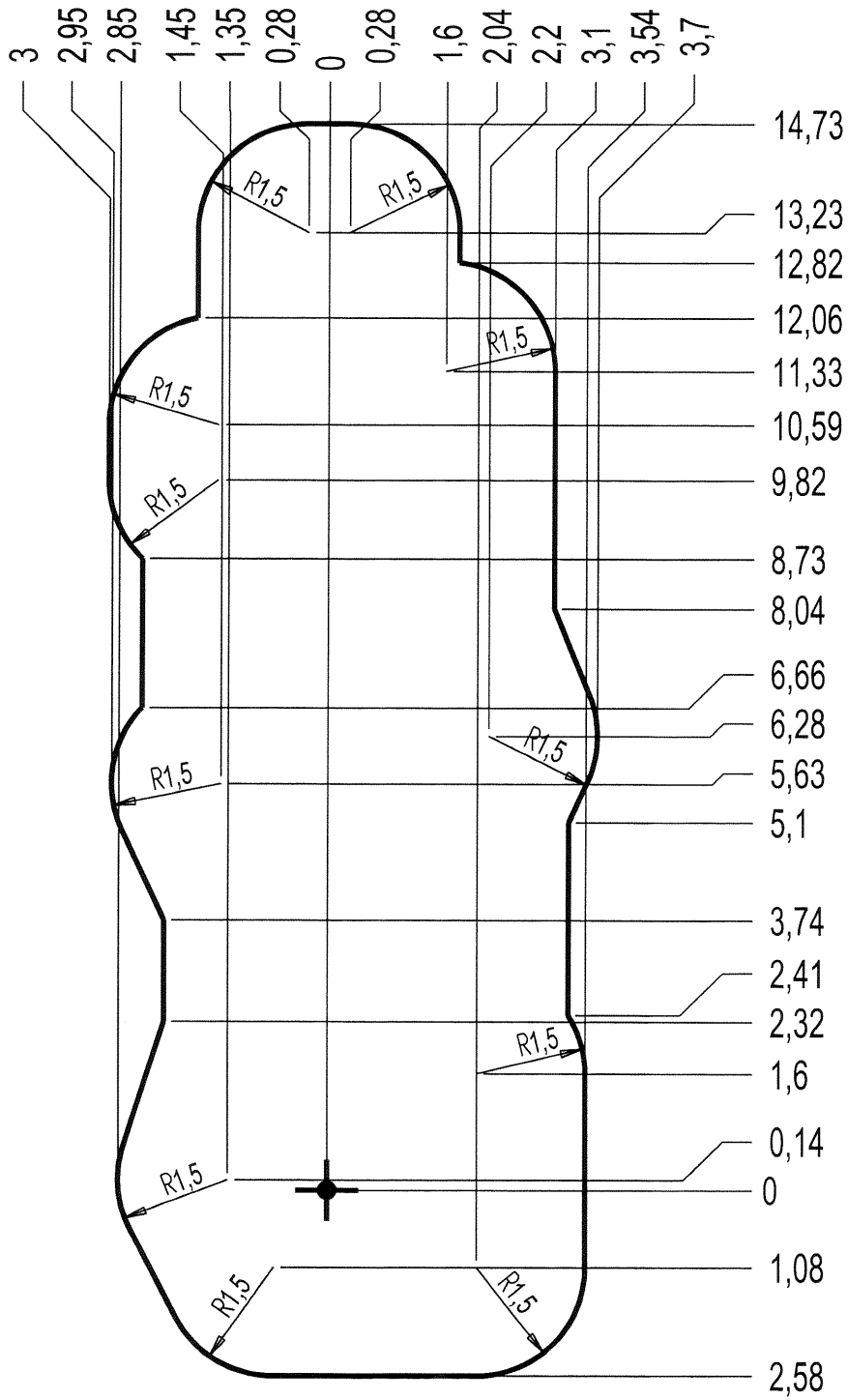
Point de Référence
Setting Out Point
Punto de referencia
Bezugspunkt
Referentiepunt



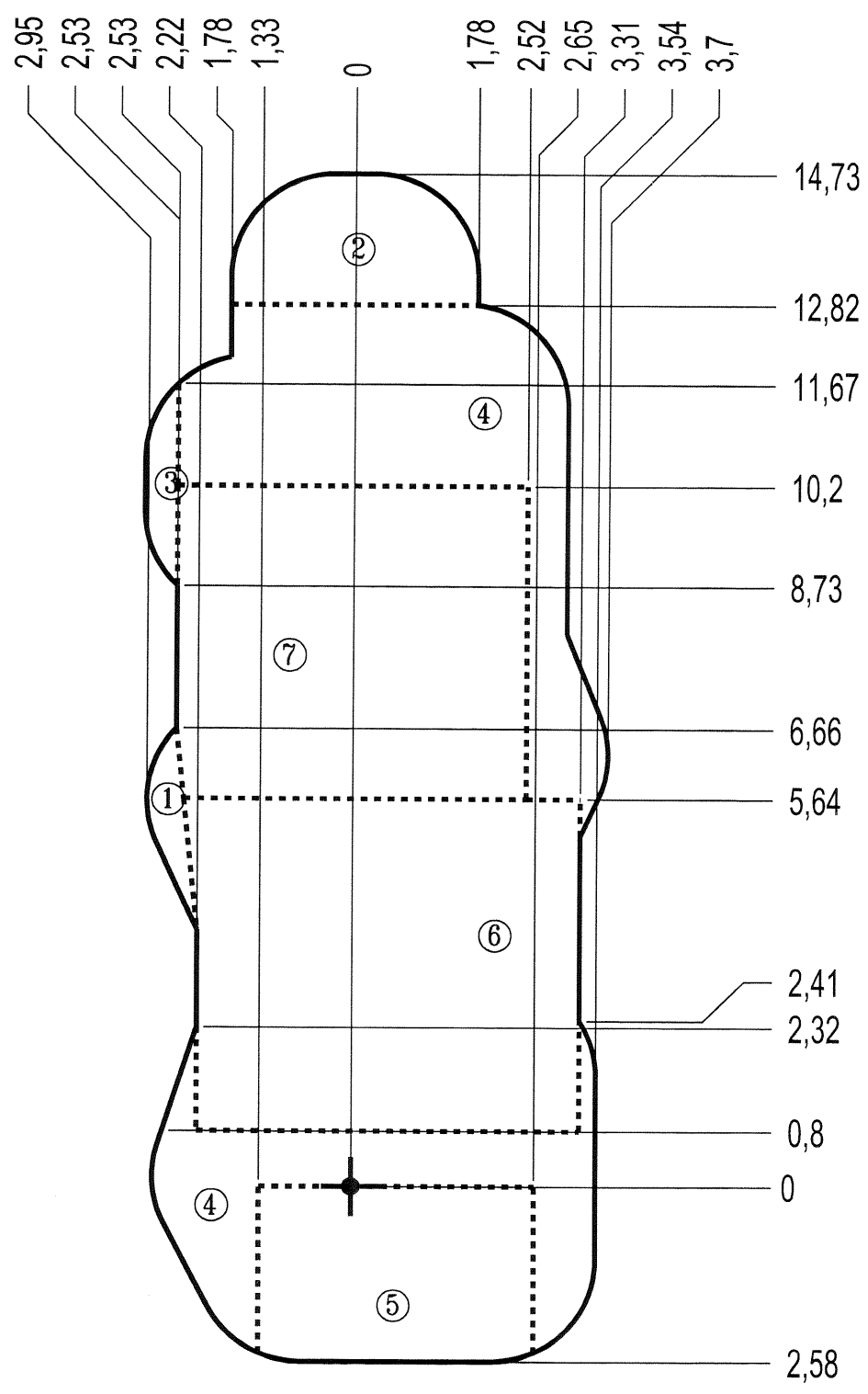




— Zone d'Impact 96 m²
 Impact Area
 Area de Impacto
 Fallraum
 Valzone

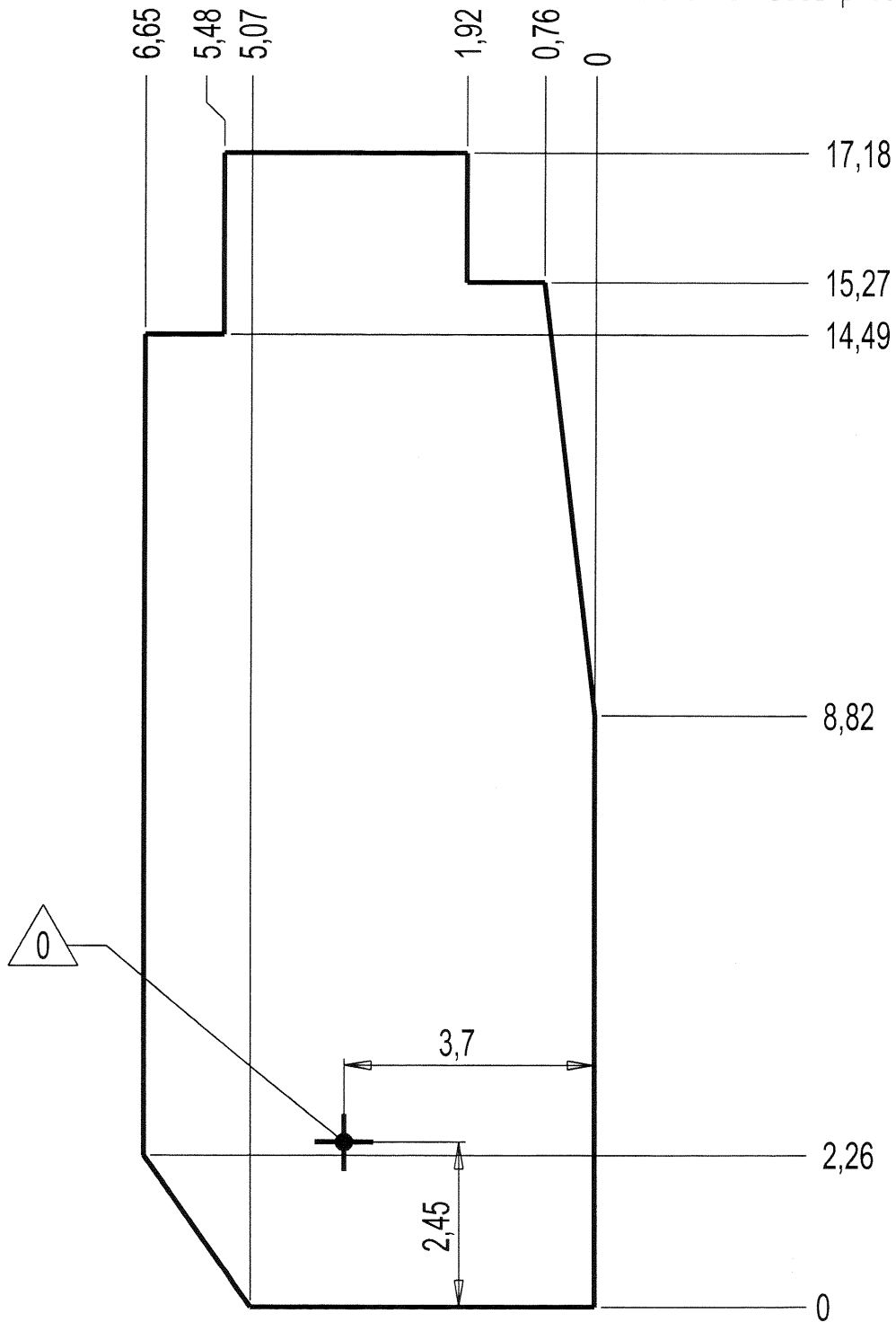


— Sol souple 96 m²
 Wetzpour
 Caucho Continuo
 Synthetischer Fallschutz
 Gietvloer

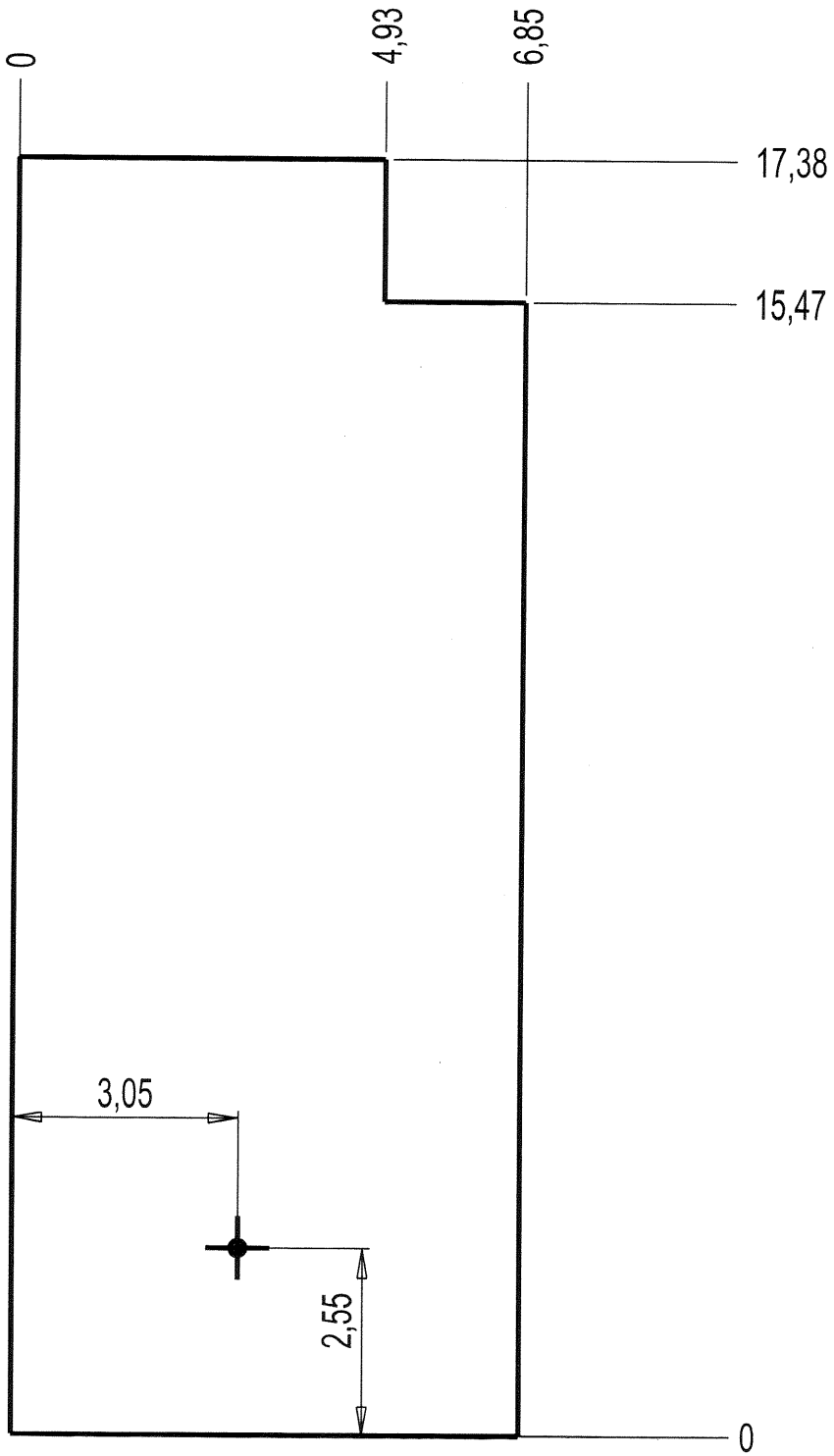


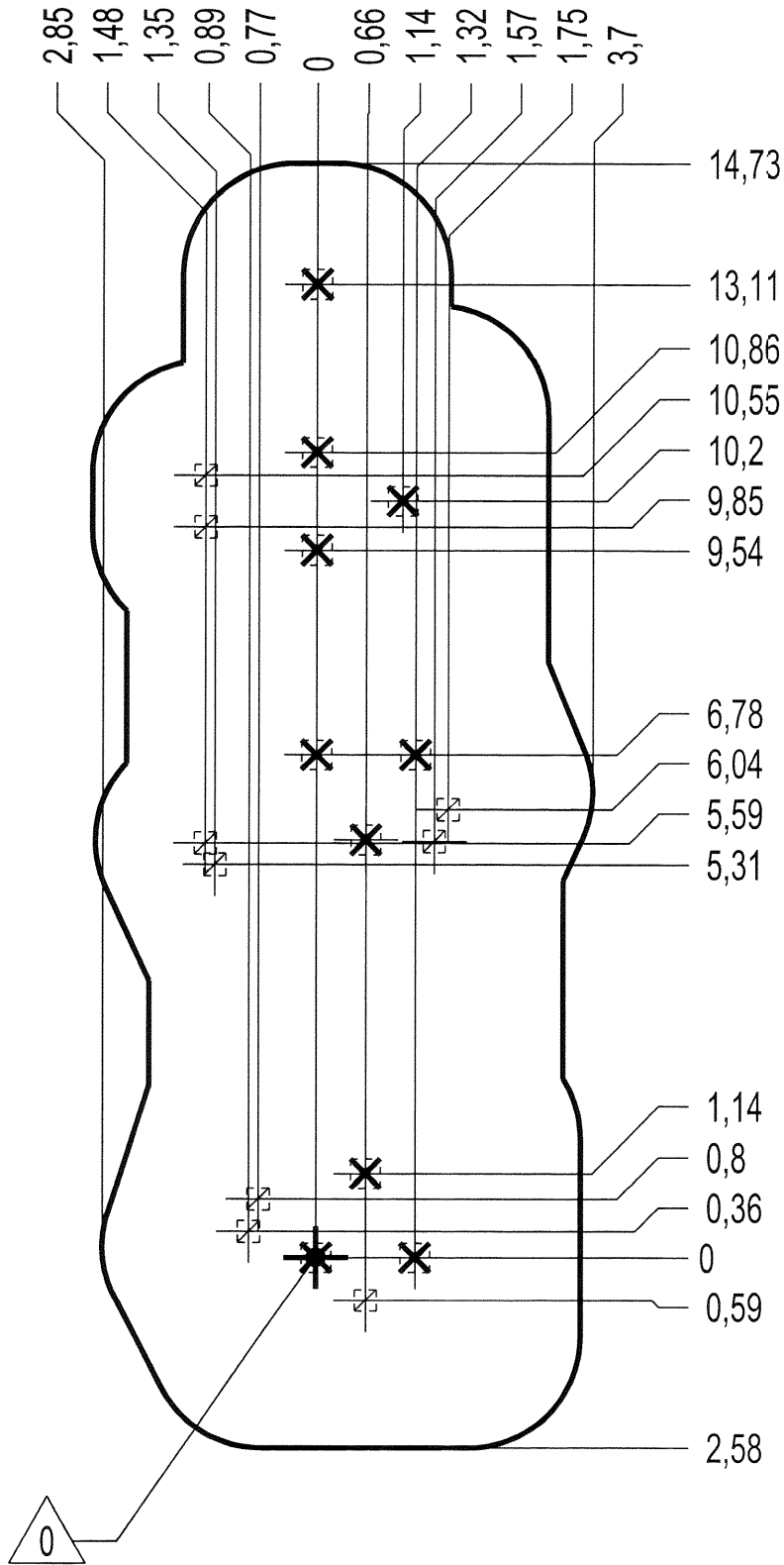
— Dalle béton
 Concrete pad
 Solera de Hormigón
 Beton Bodenplatte
 Betonnen bodenplaat

46 m
 103 m²

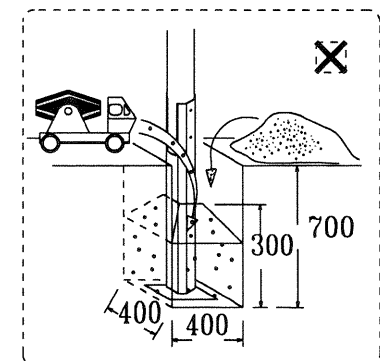
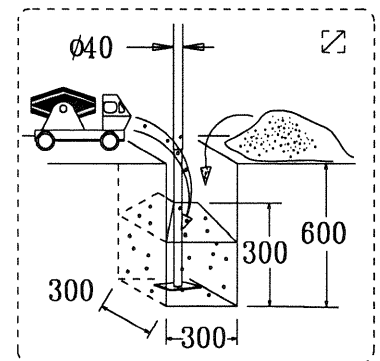


— Sol fluent 49 m
Loose particle material 116 m²
Arenero
Loses Bodenmaterial
Los bodenmaterial



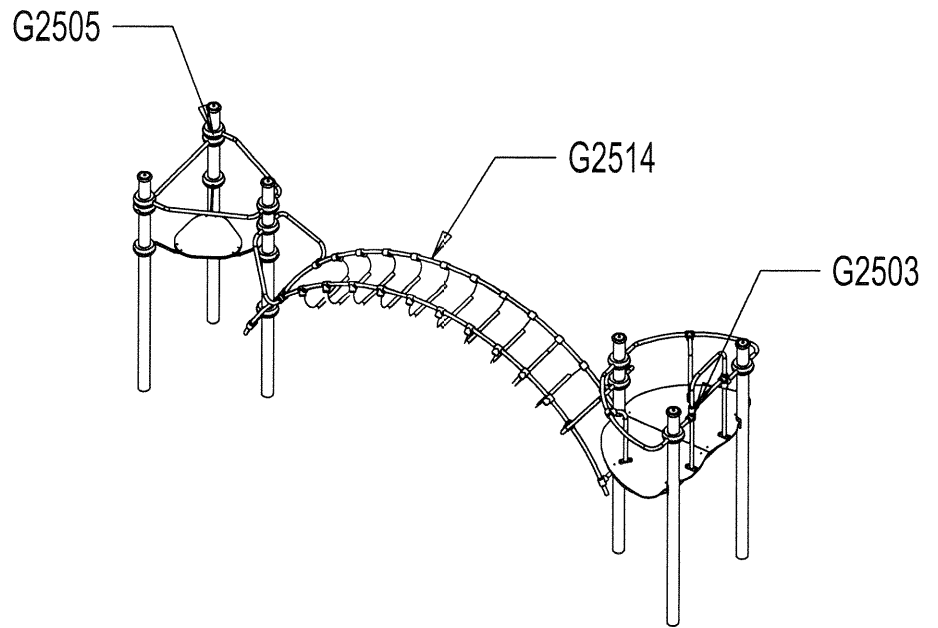


Implantation
 Footing plan
 Implantación
 Fundamentplan
 Funderingstekening

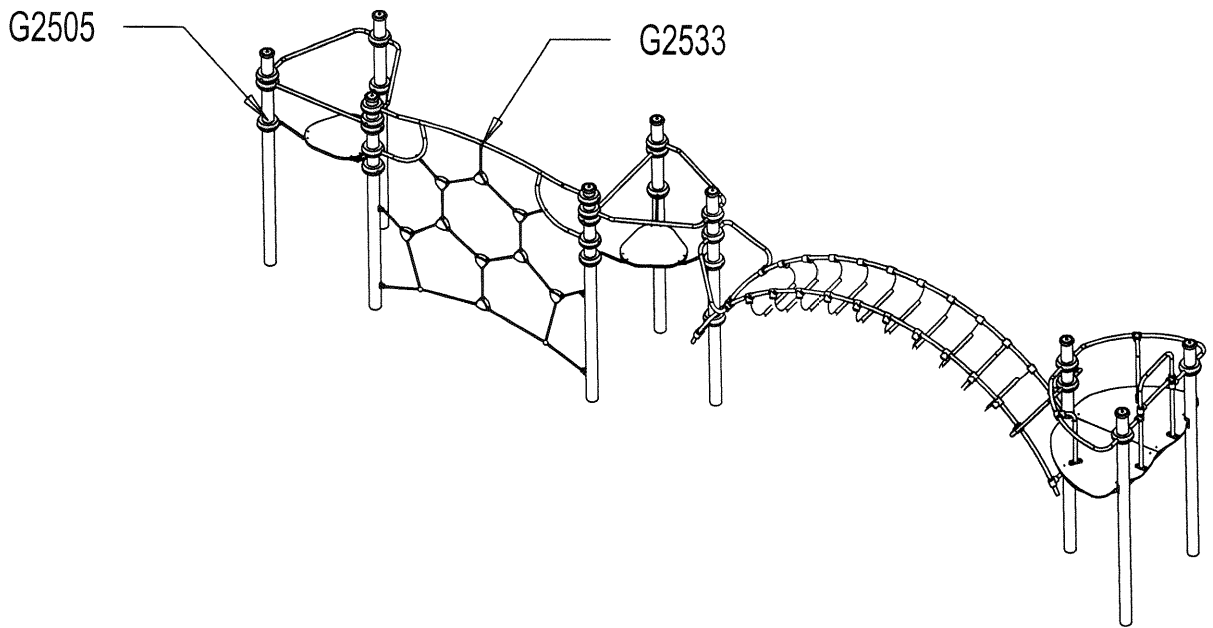


x2	24H	1.4m ³
----	-----	-------------------

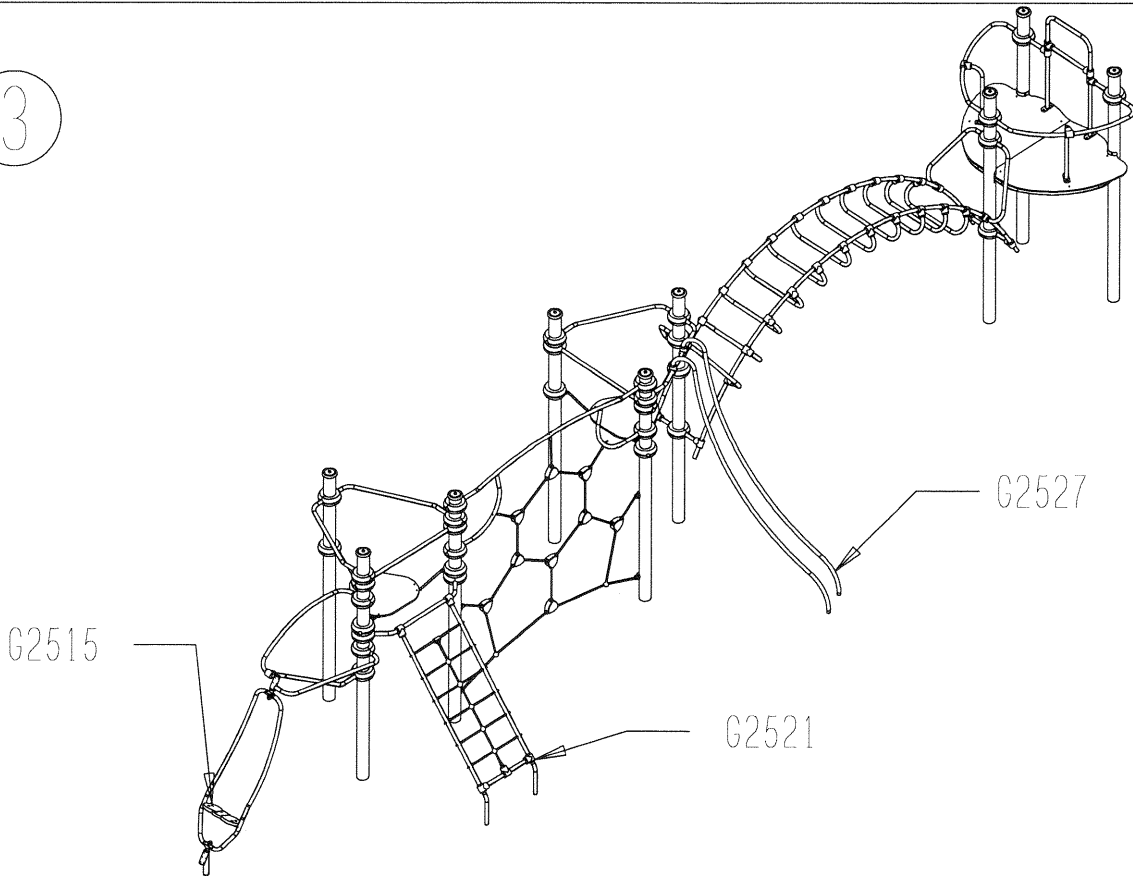
1



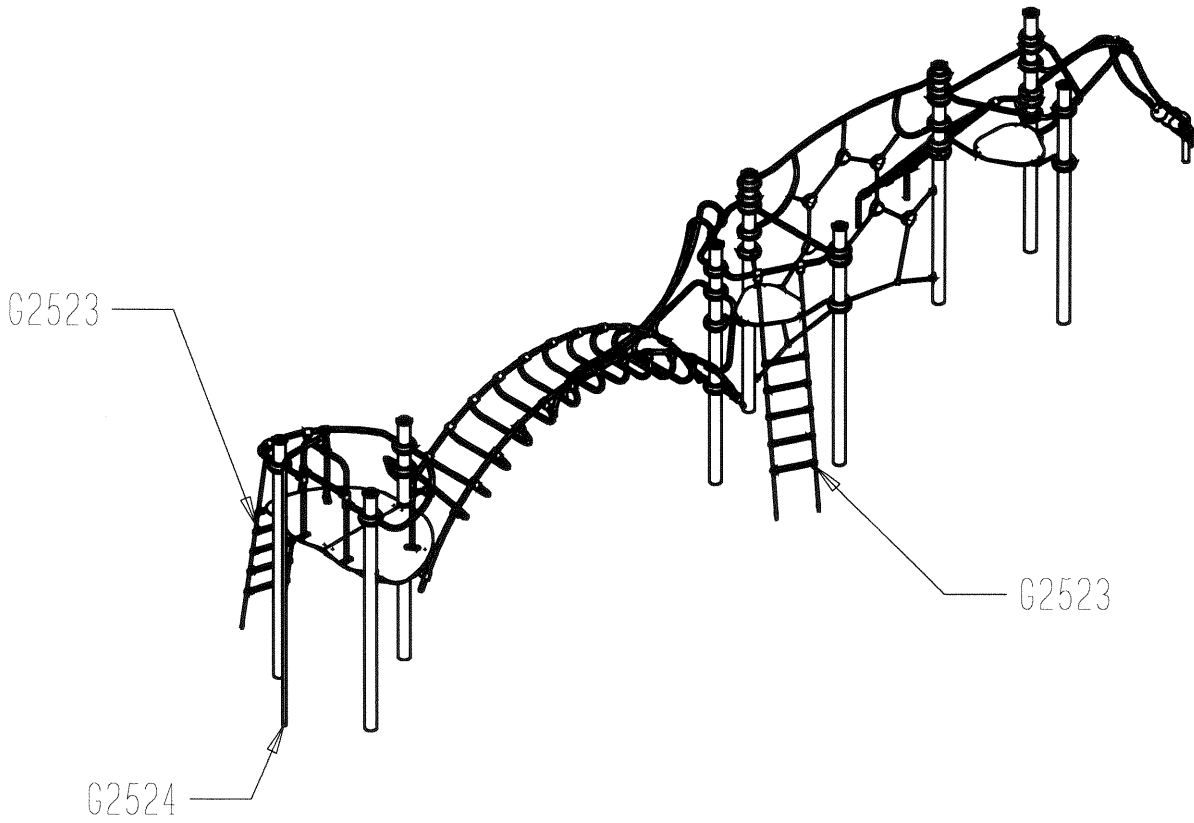
2

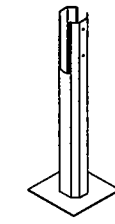
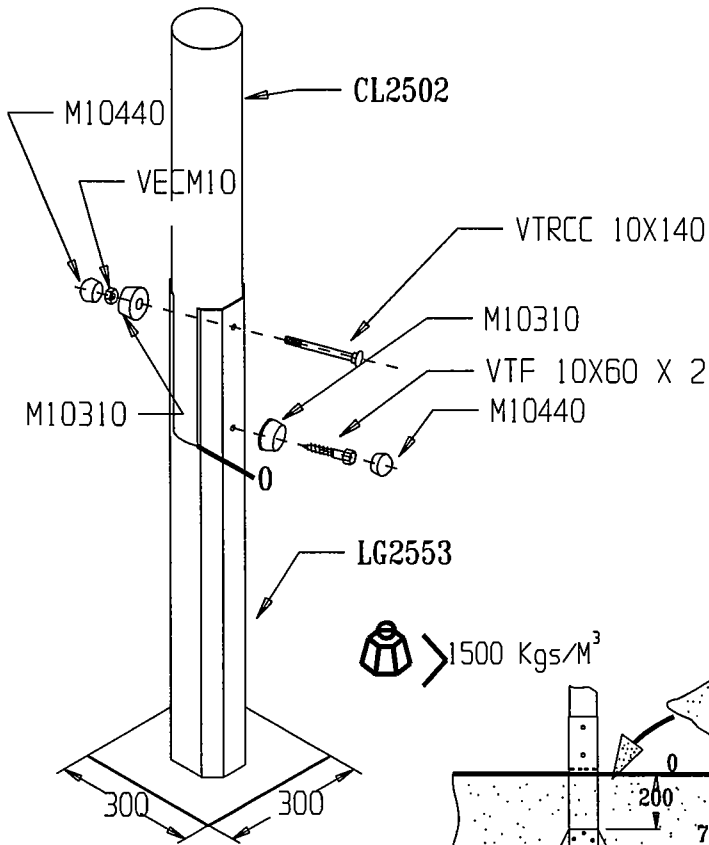


3



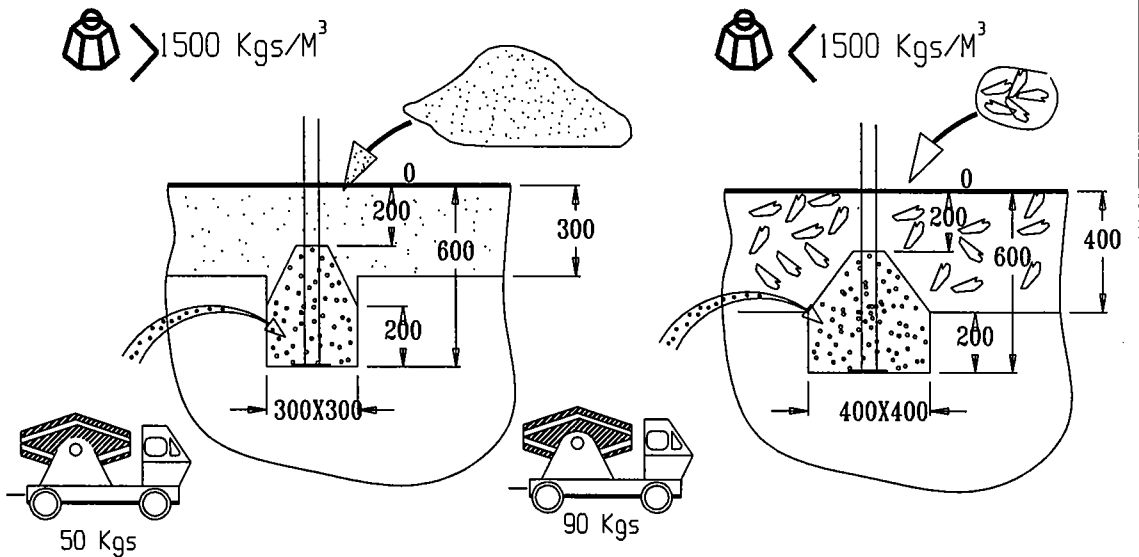
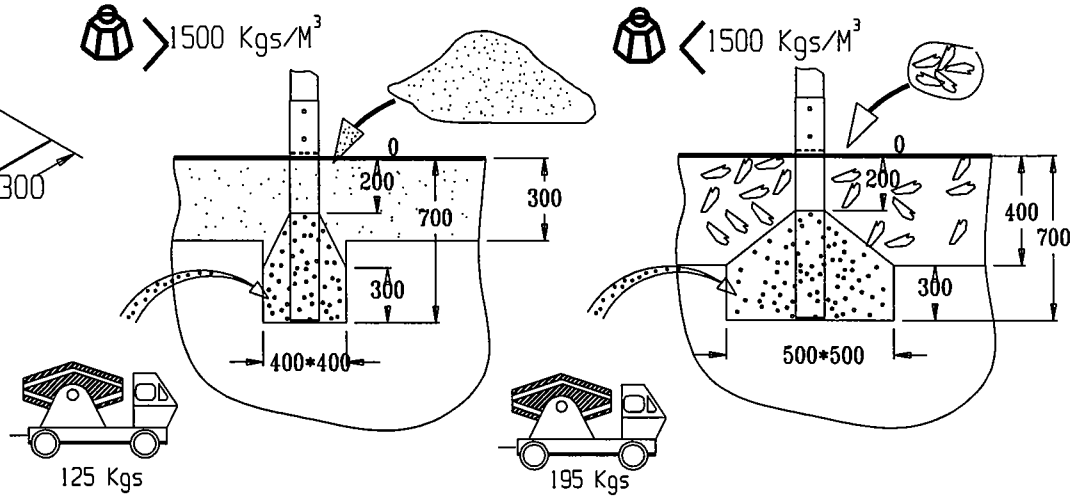
4



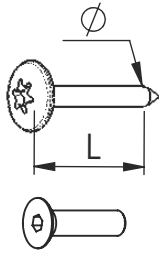


LG2553 X 1

	VTRCC 10x140	1
	VECM10	1
	VTF 10x60	2
	M10310	3
	M10440	3

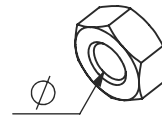


LI..... X 1



VBT 6 x 30
 \varnothing \uparrow L (mm)

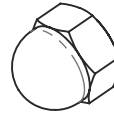
VFHC



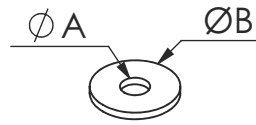
VEC M10
 \varnothing



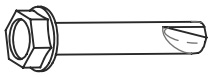
VEF



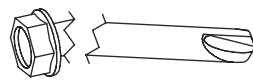
VEB



VR6x18
 $\varnothing A$ $\varnothing B$



VTHA

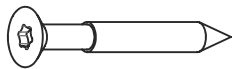


1000 - 1800 tr/min

14 N.m

Vitesse de rotation
 Rotation speed

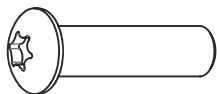
Couple de rupture
 Torque of break



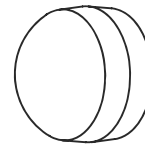
VWT



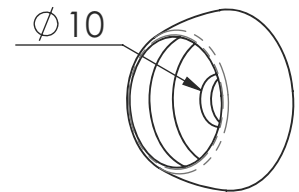
VGC



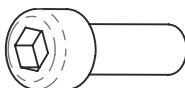
VCBHC



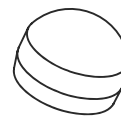
M10 440N



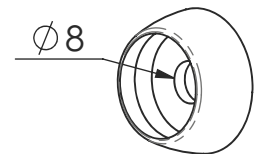
M10 310 N



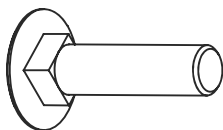
VBTR



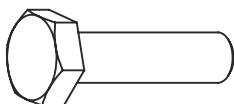
M8440N



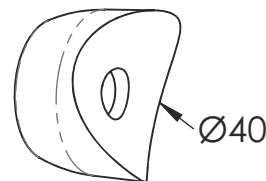
M8310N



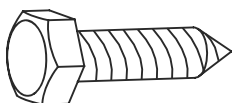
VTRCC



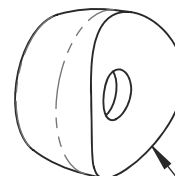
VTH



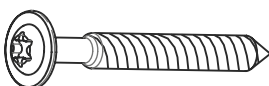
MI2503



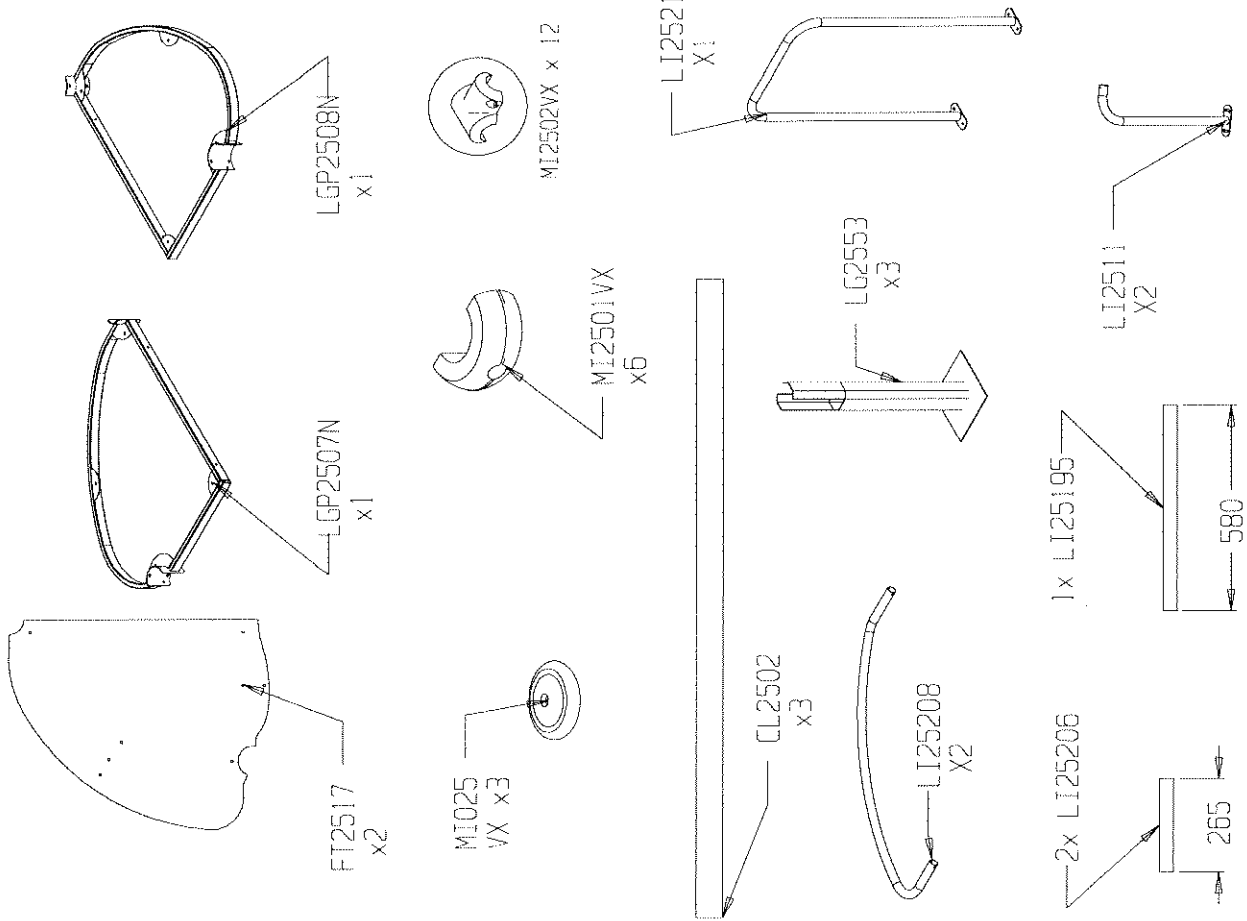
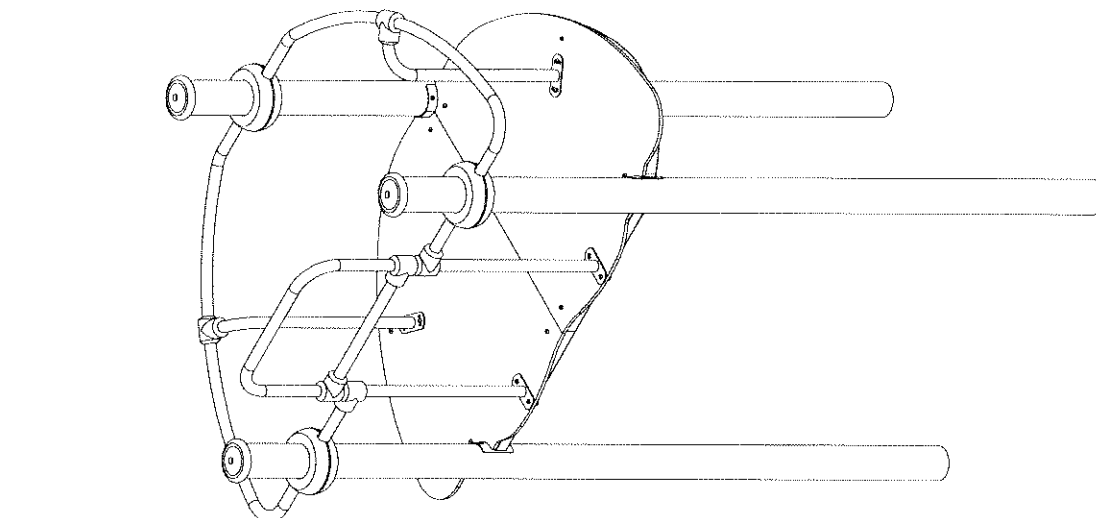
VTF

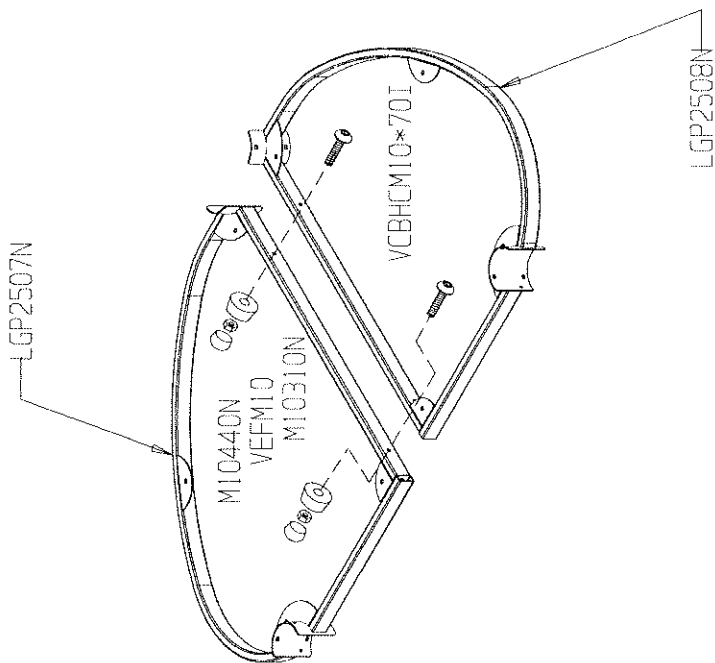





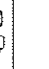
MI2701

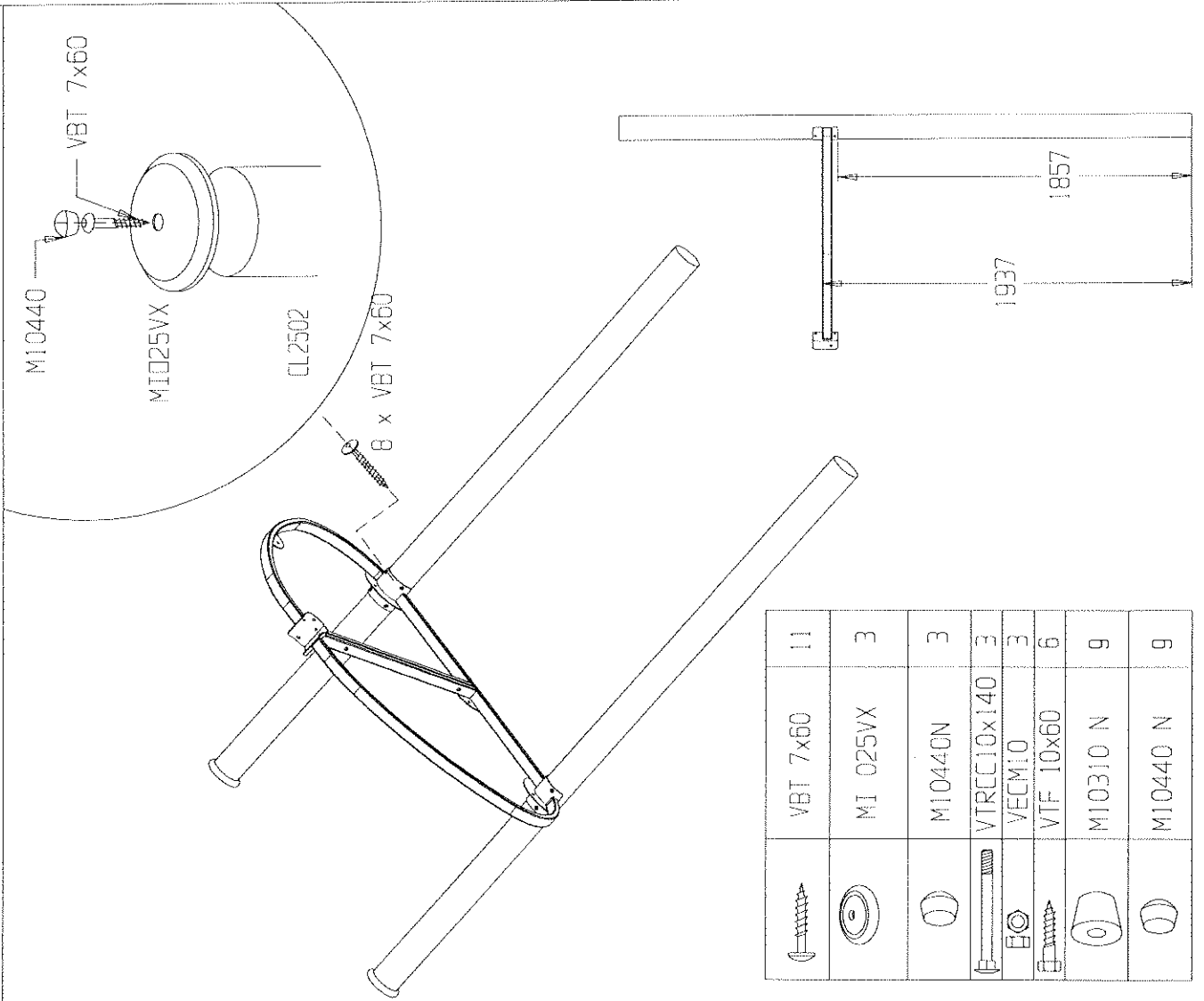










VBT

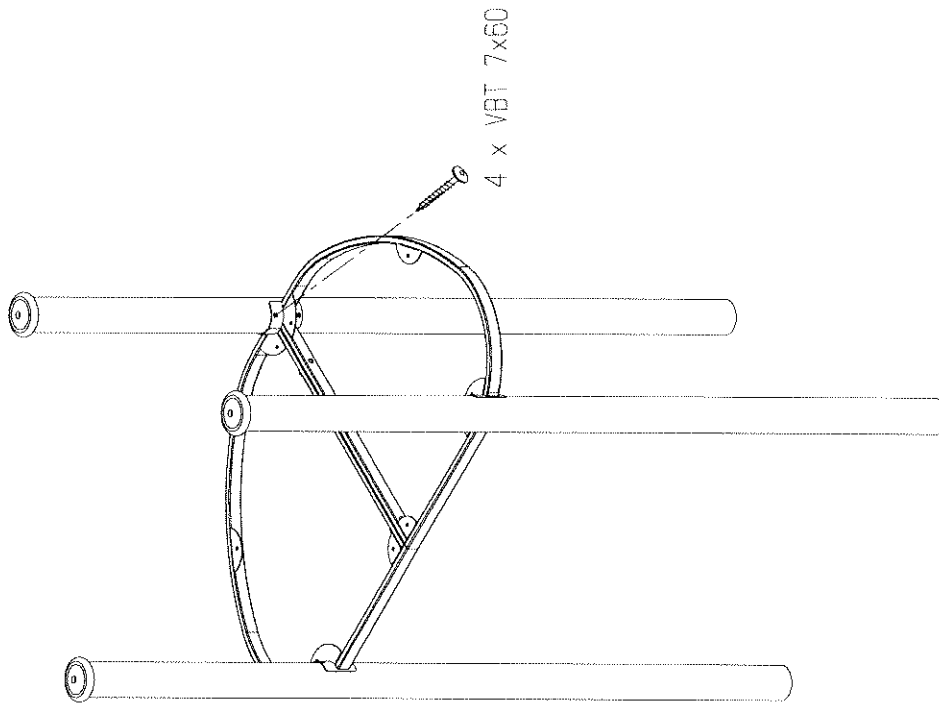




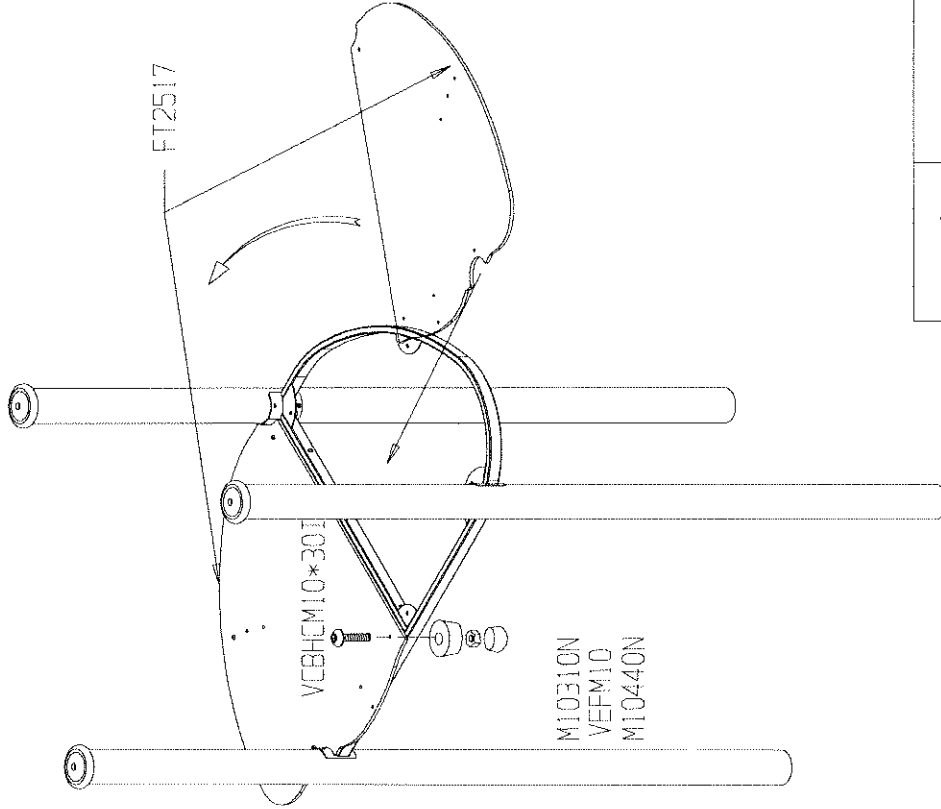
	M10310N	2
	M10440N	2
	VCBHCMI0*70I	2
	VEFM10	2

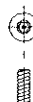





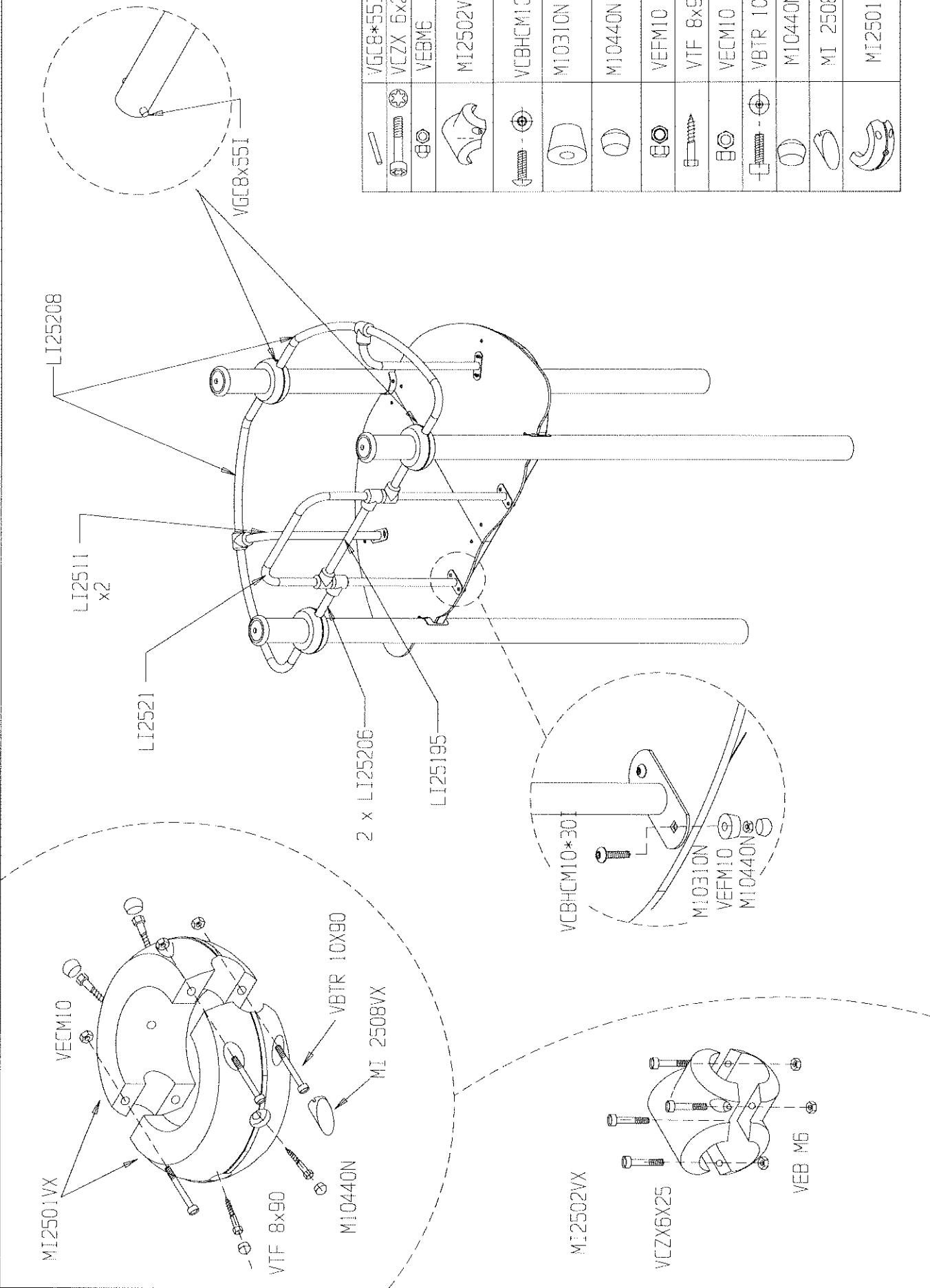
	VBT 7x60	11
	MI 025VX	3
	M10440N	3
	VTRCC10x140	3
	VECM10	3
	VTF 10x60	6
	M10310 N	9
	M10440 N	9



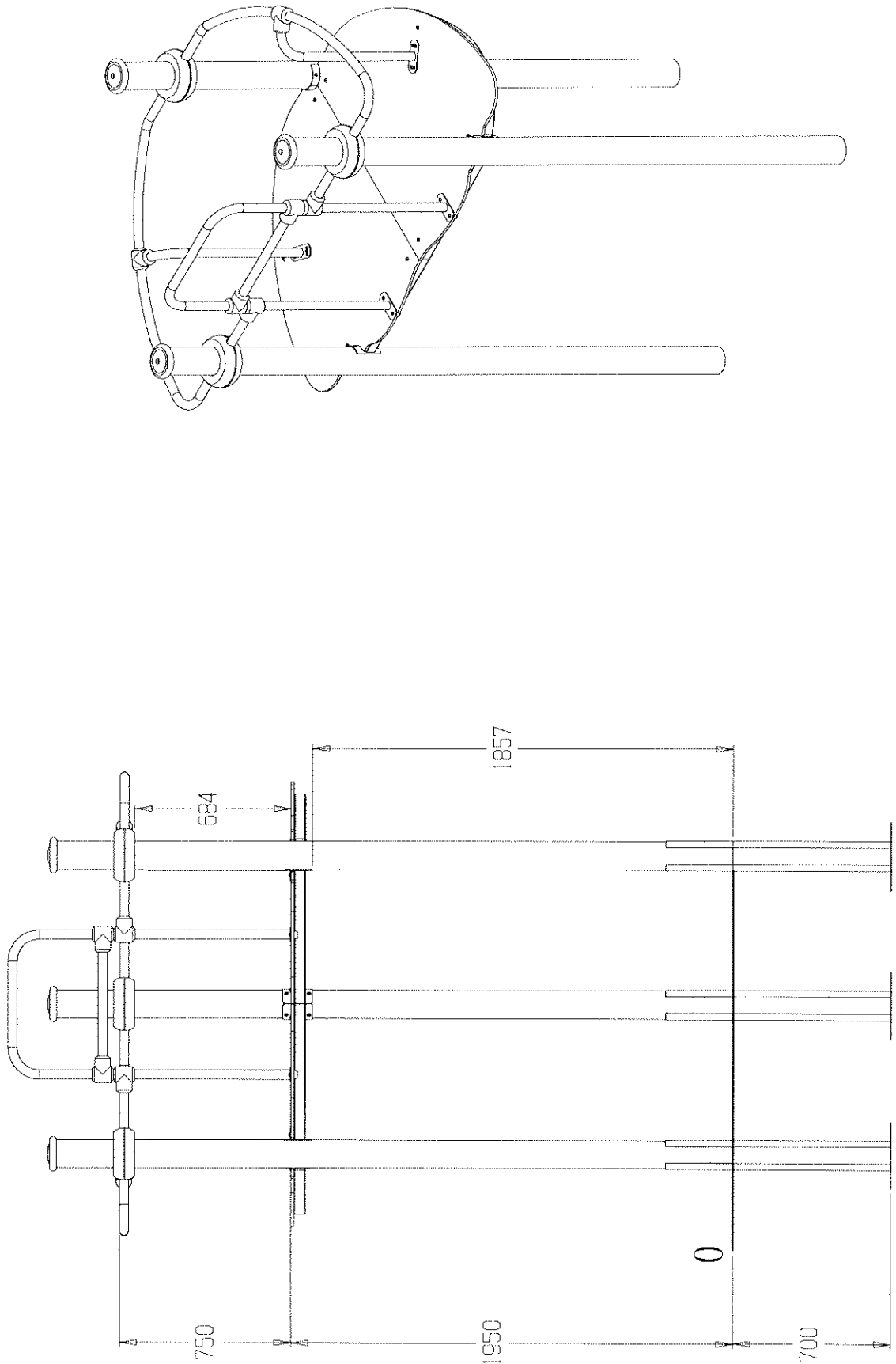
	VBT 7x60	4
---	----------	---

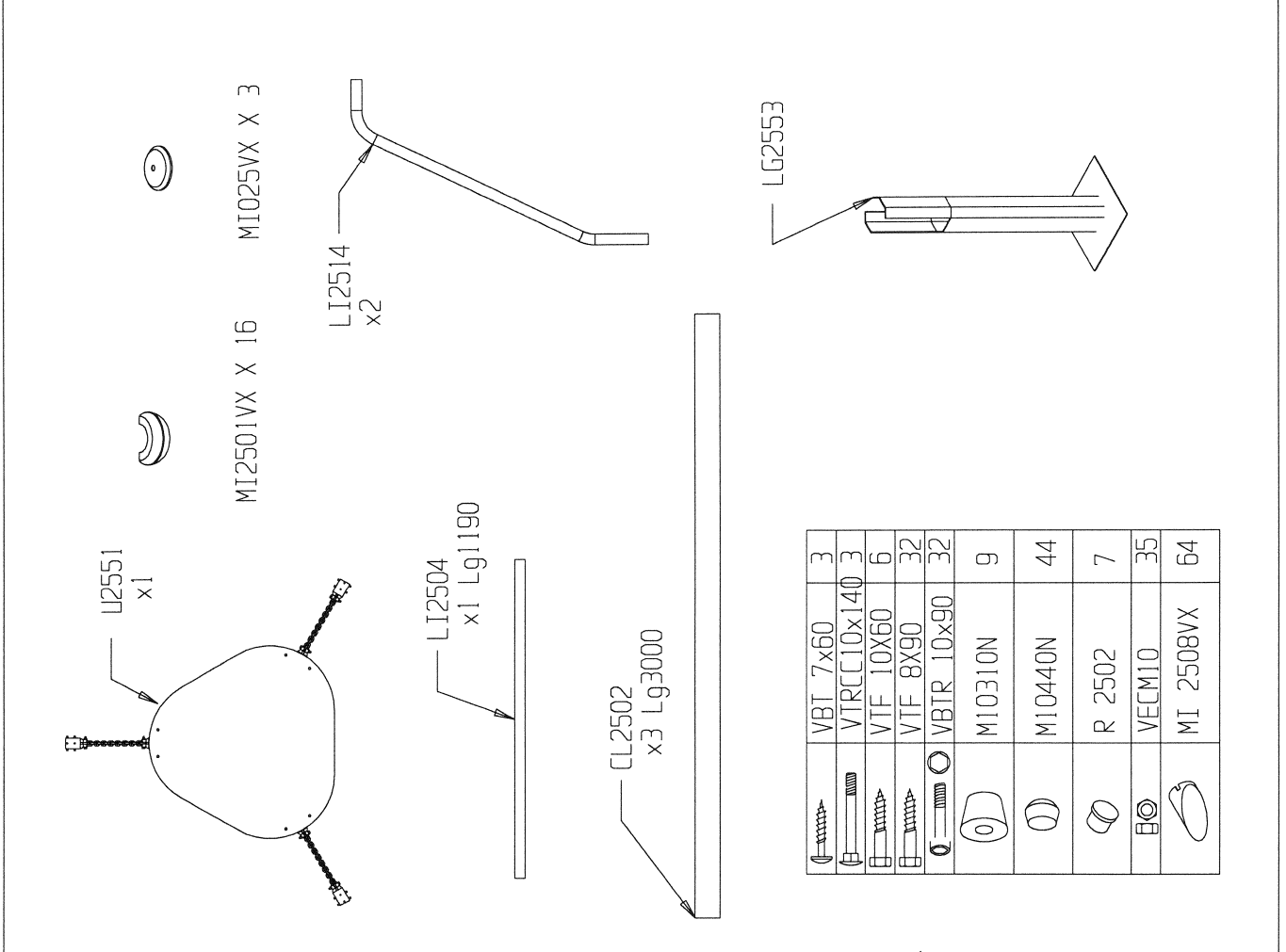
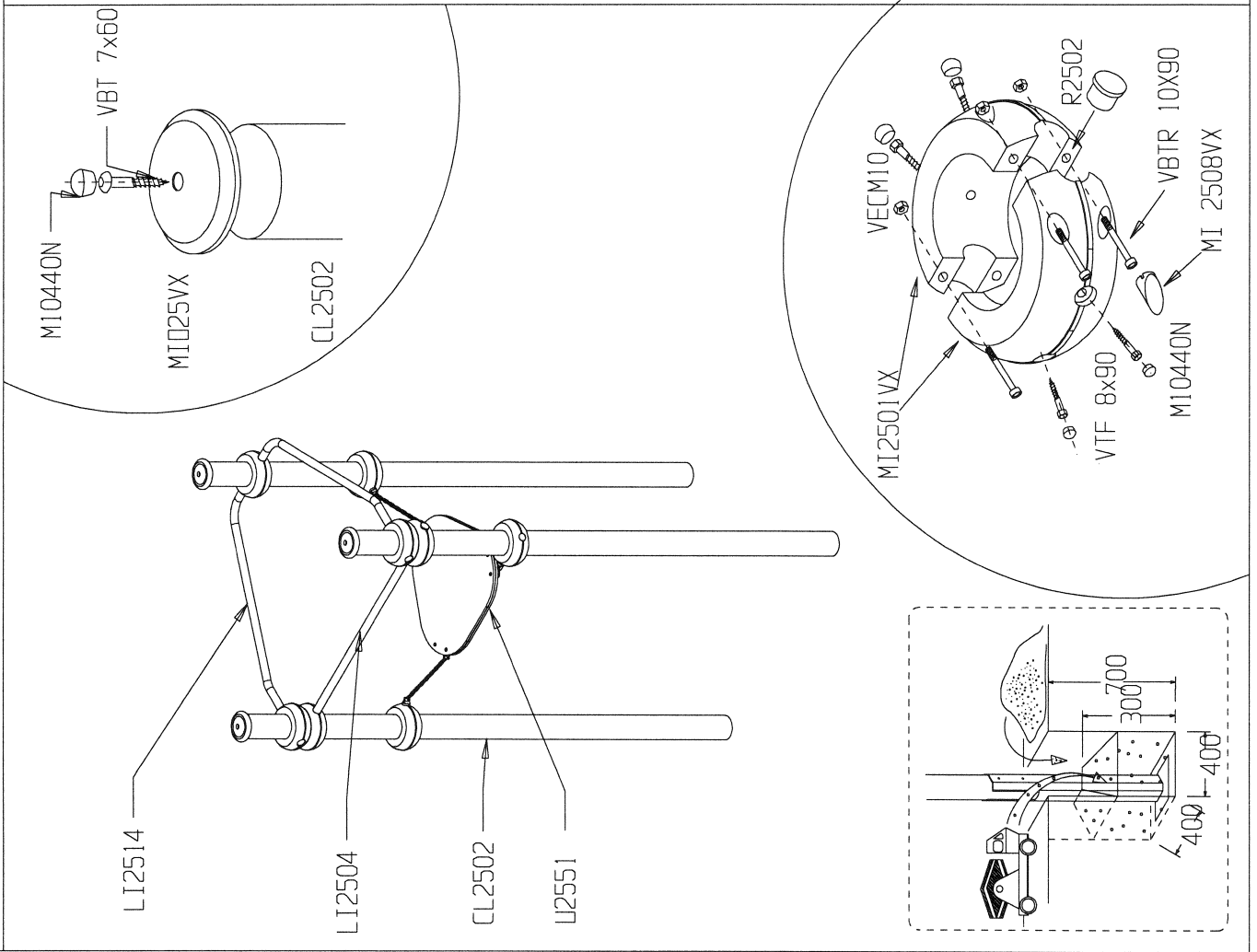


	VCBHC10*30I	8
	M10310N	8
	M10440N	8
	VEFM10	8

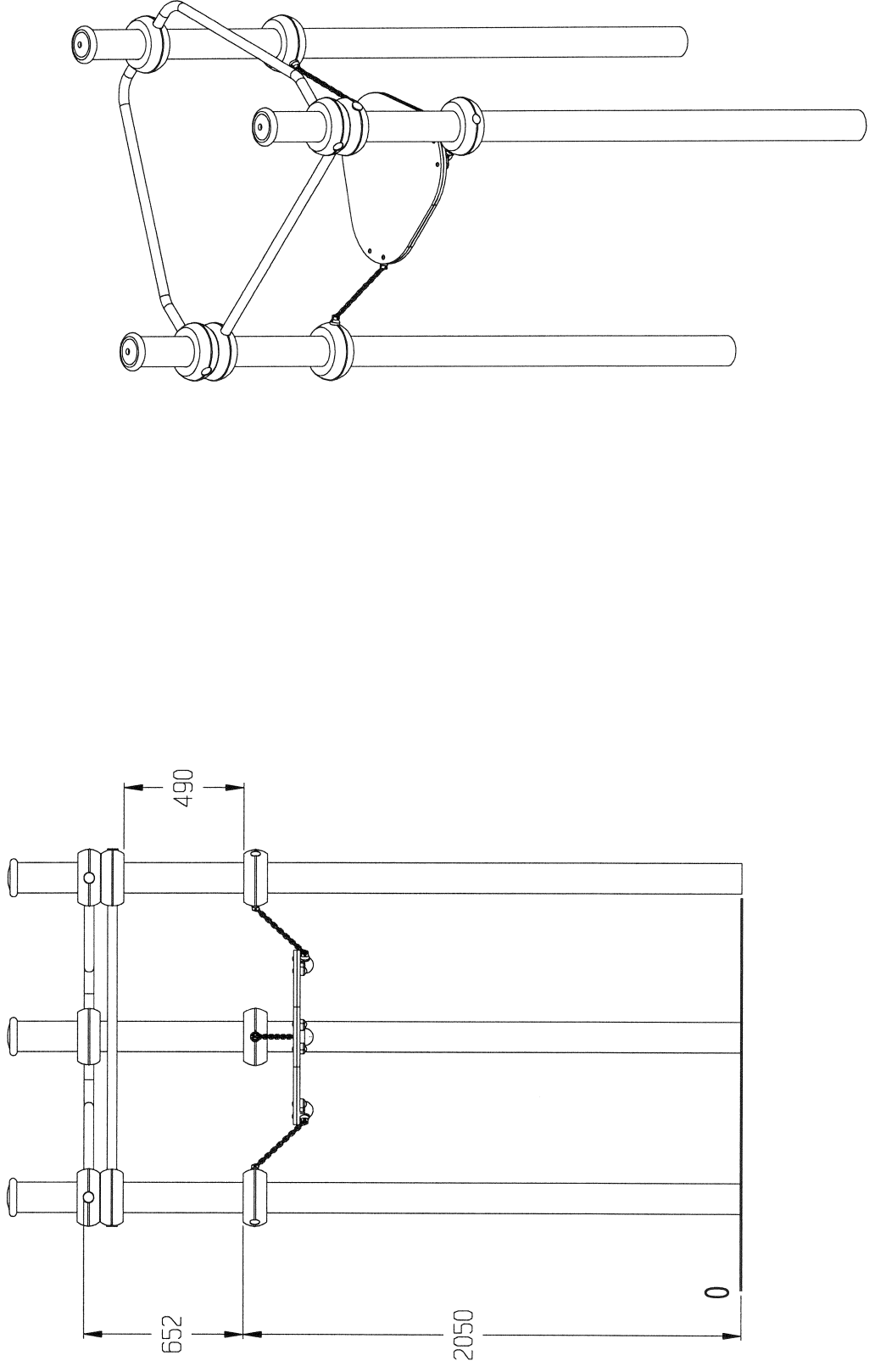


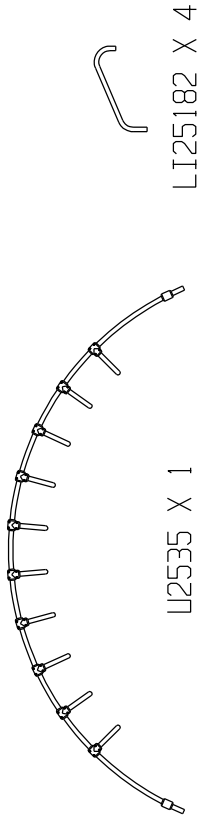
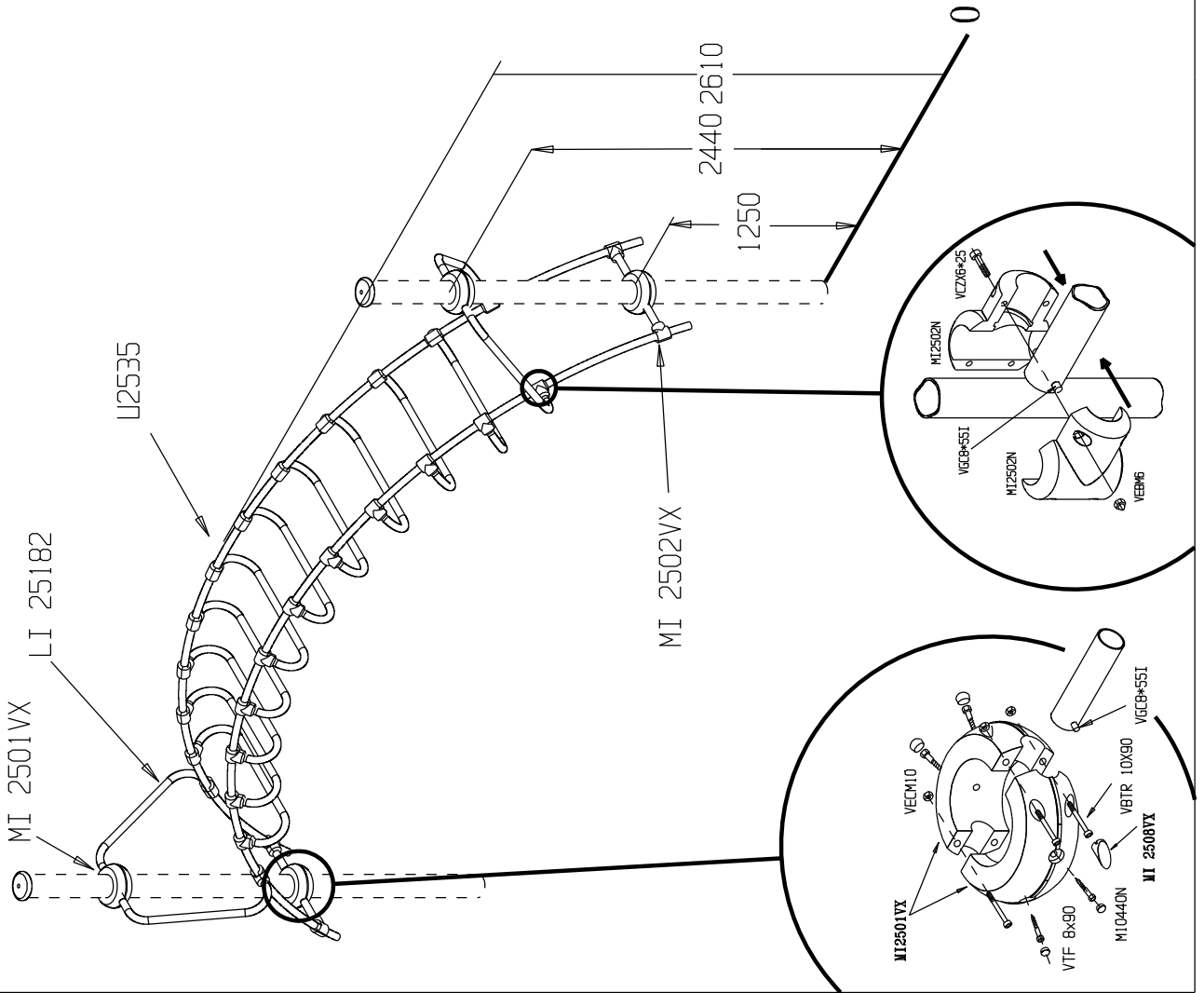
	VGC8*55I	4
	VCZX 6x25	24
	VEB M6	24
	MI2502VX	12
	VCBHCMI0*30I	10
	M10310N	10
	M10440N	10
	VEFM10	10
	VTF 8x90	12
	VECM10	12
	VBTR 10x90	12
	M10440N	12
	MI 2508VX	24
	MI2501VX	6





	VBT 7x60	3
	VTRCC10x140	3
	VTF 10x60	6
	VTF 8x90	32
	VBTR 10x90	32
	M10310N	9
	M10440N	44
	R 2502	7
	VECM10	35
	MI 2508VX	64



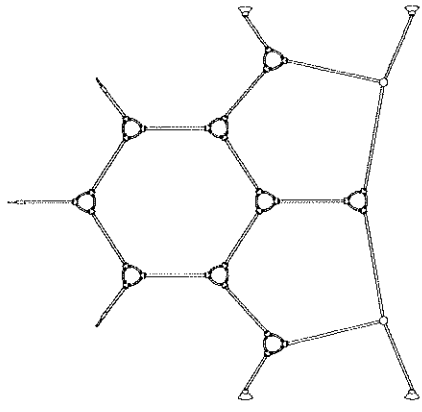
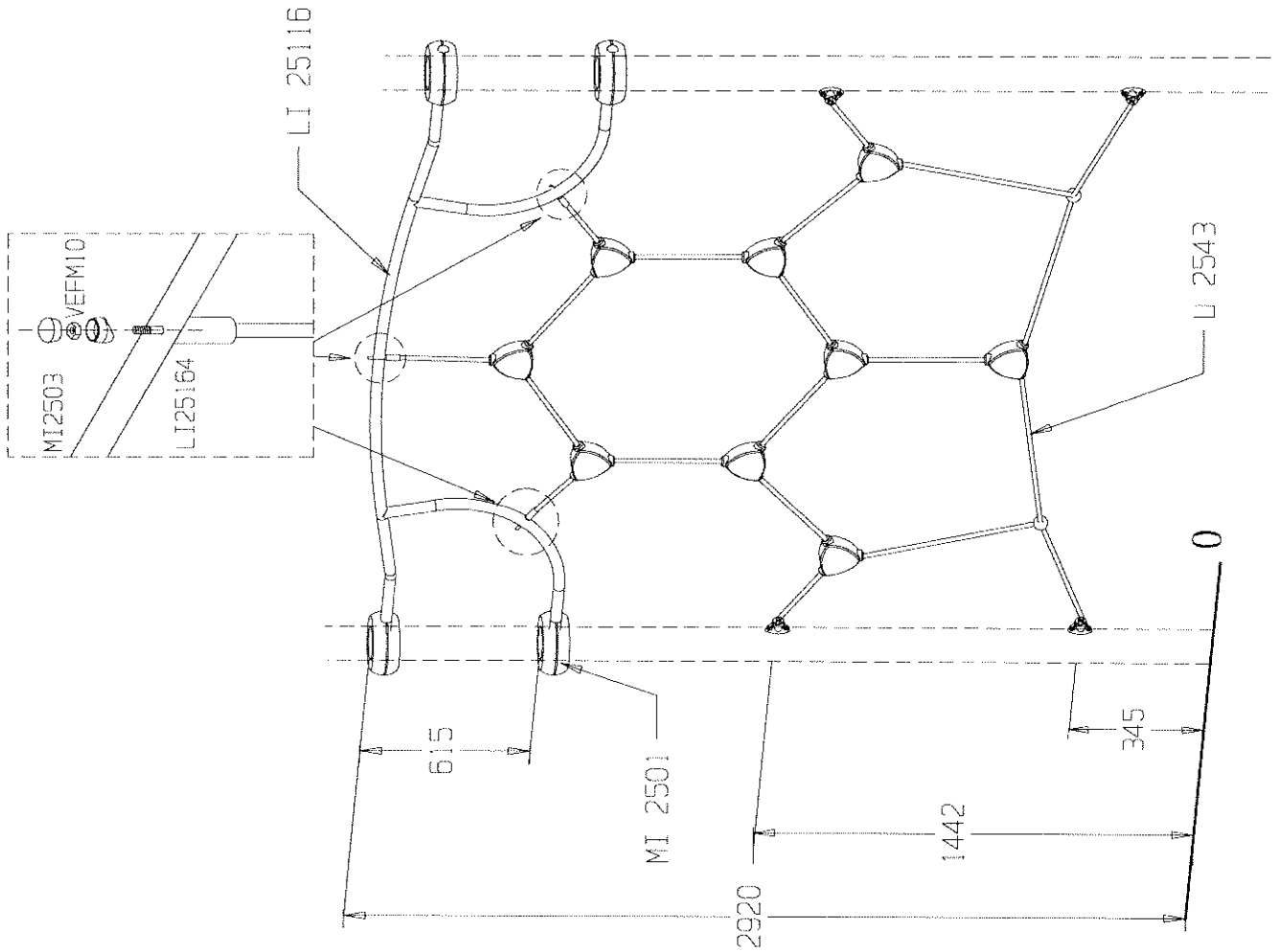


MI2501VX X 8



MI2502VX X 8

	VGC8*55I	12
	VTF 8x90	16
	VBTR 10x90	16
	VCZX 6x25	16
	M10440N	16
	VECM10	16
	VEBMG	16
	MI 2508VX	32

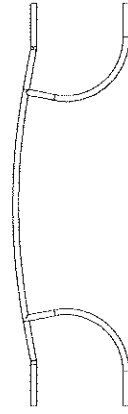


U 2543 x 1

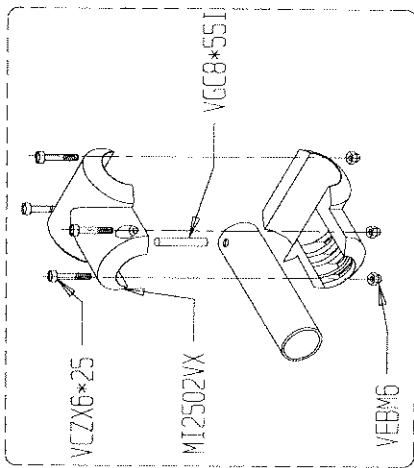
MI 2501 VX x 8



LI 25116 x 1

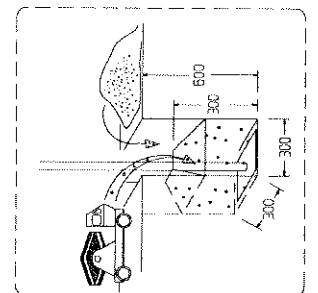
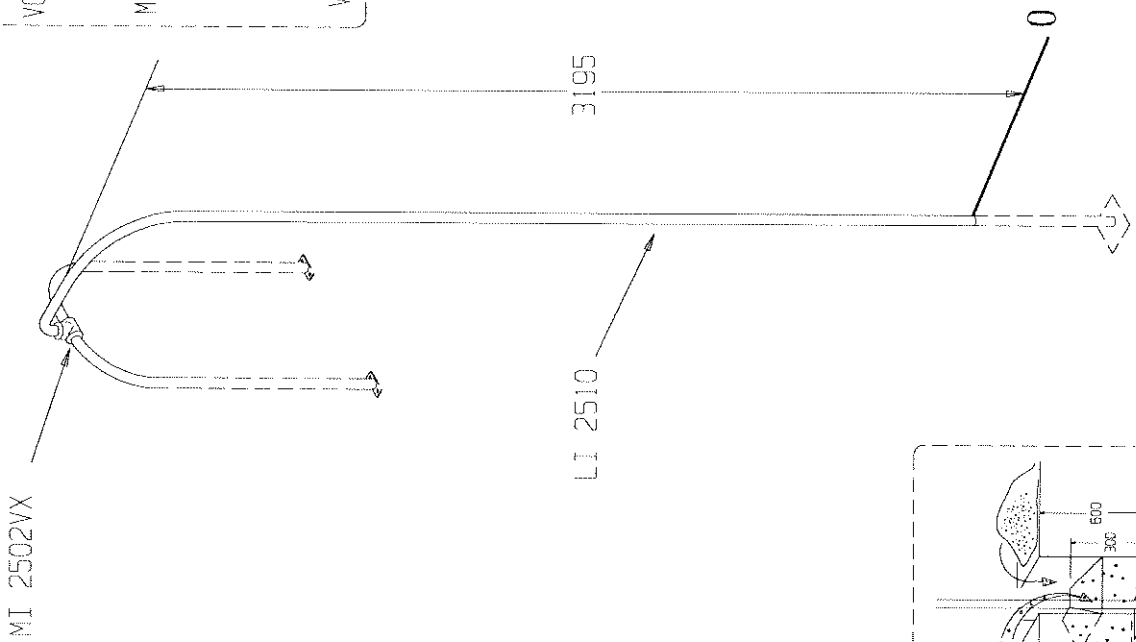


	VBT 7x60	8
	VBTR 10x90	16
	VTF 8x90	16
	M10440N	19
	VECM10	16
	R 2502	4
	MI 2508VX	32
	MI2503N	3
	VEFM10	3

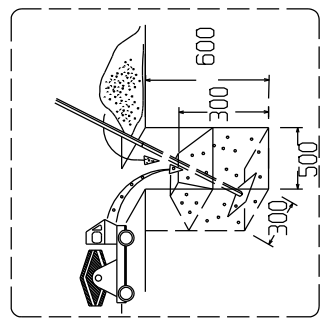
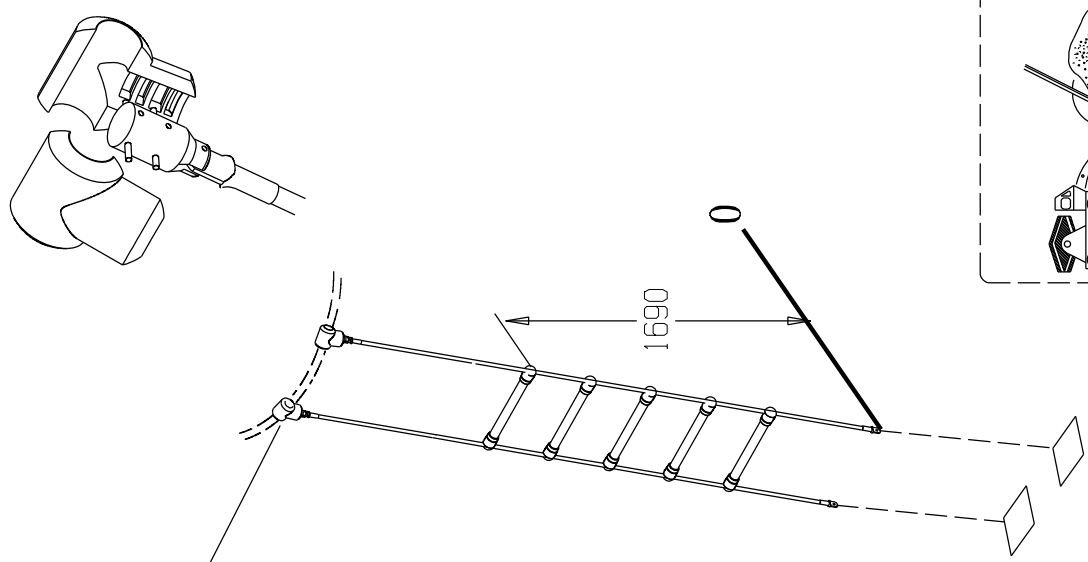
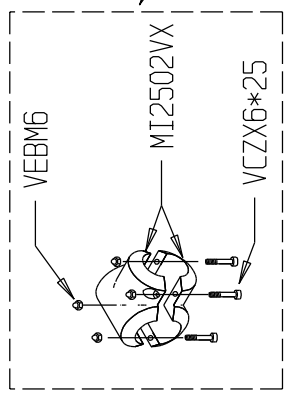


MI2502VX X 2

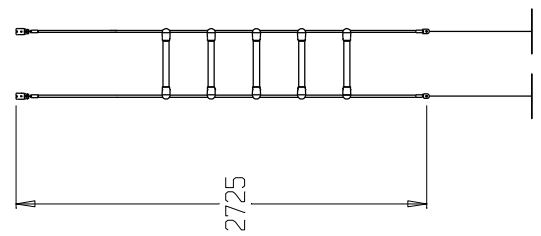
LI2510 X 1
Lg 3795



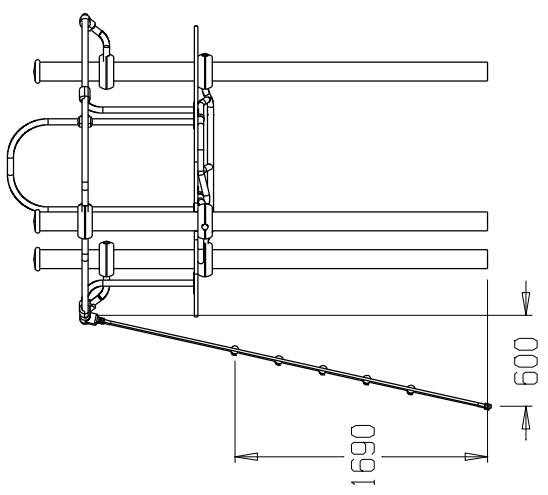
	VGC8*55I	1
	VCZX 6x25	4
	VEBM6	4



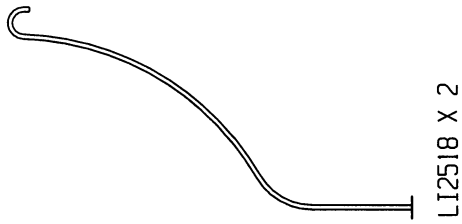
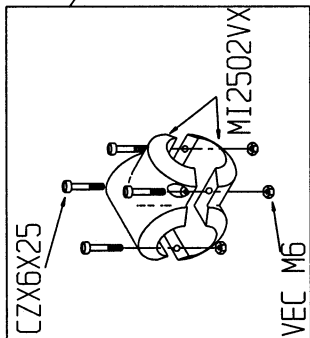
MI2502VX X 4



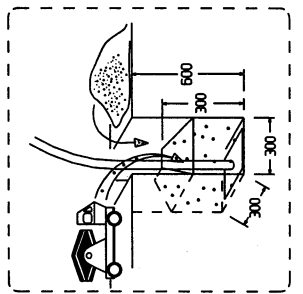
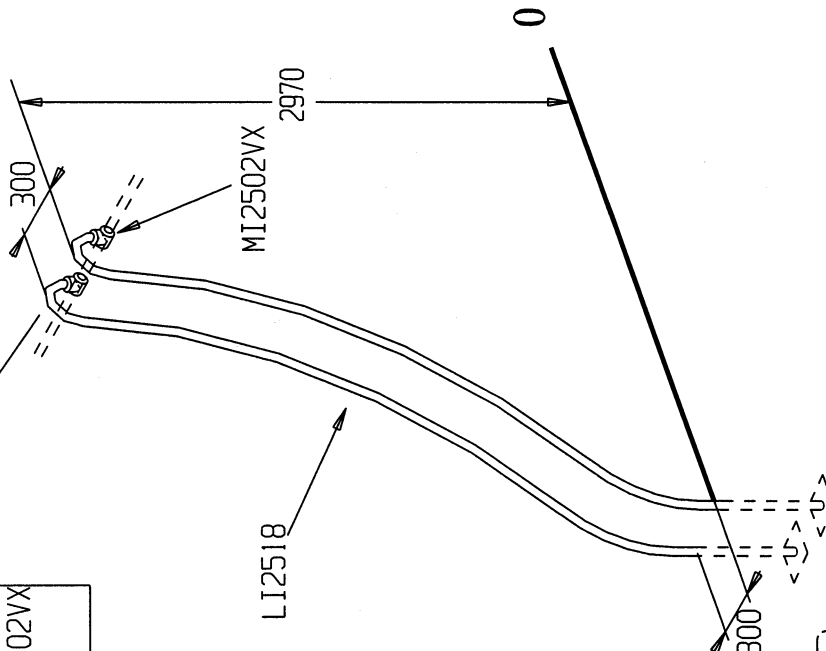
U2544x 1
Lg 2725



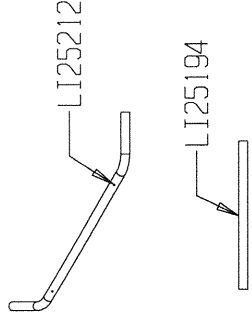
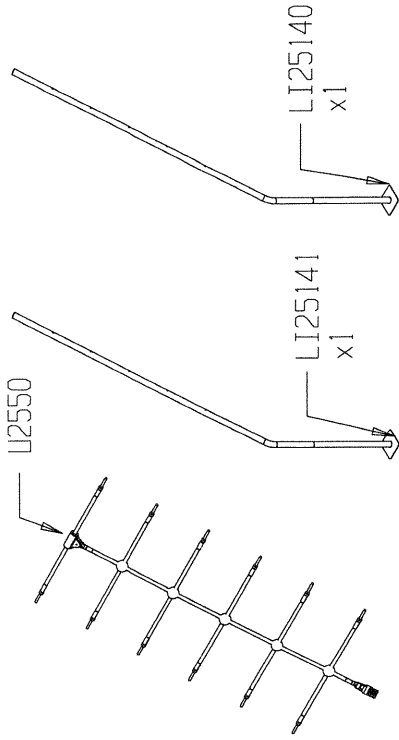
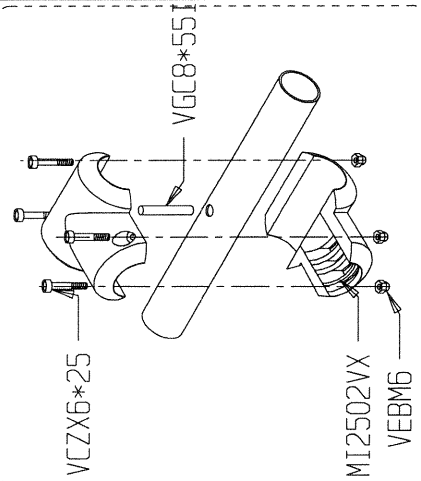
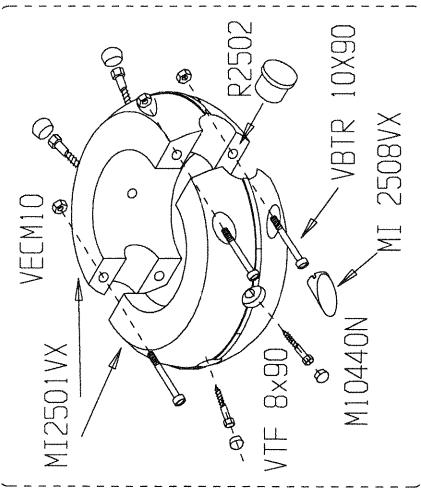
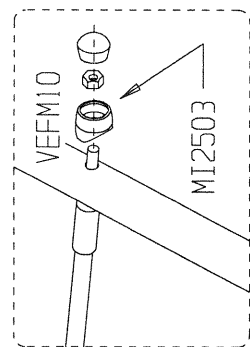
	VCZX 6x25	8
	VEBM6	8



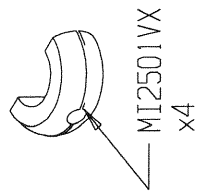
MI2502VX X 4



⊕	VEC M6	8
⊕	VCZX 6x25	8



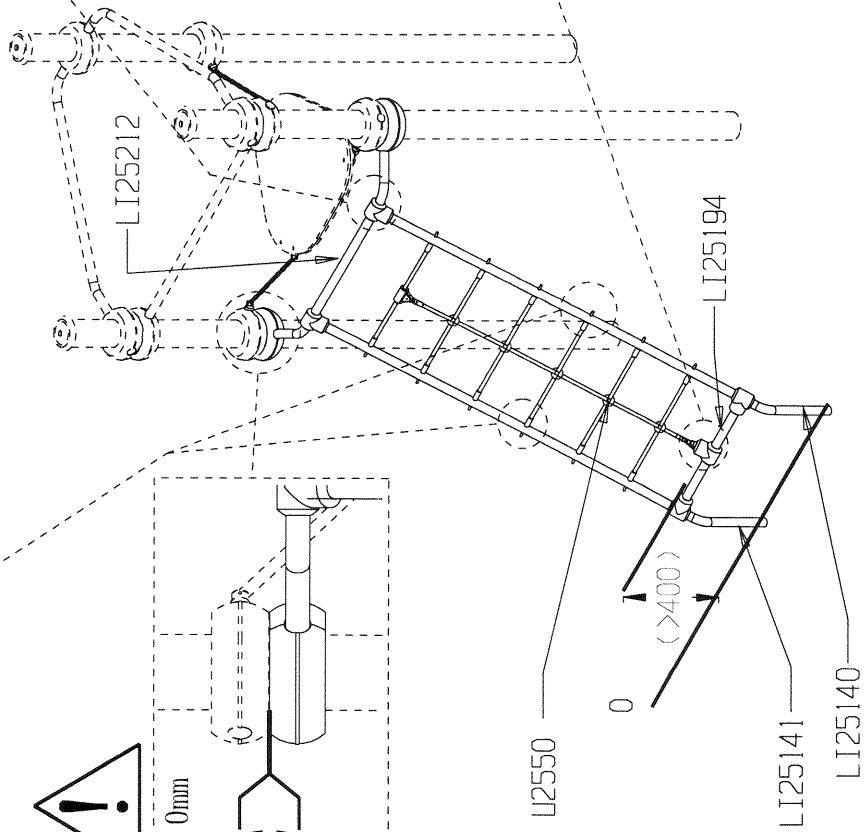
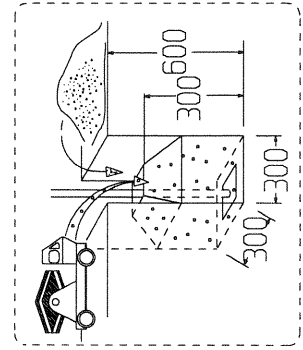
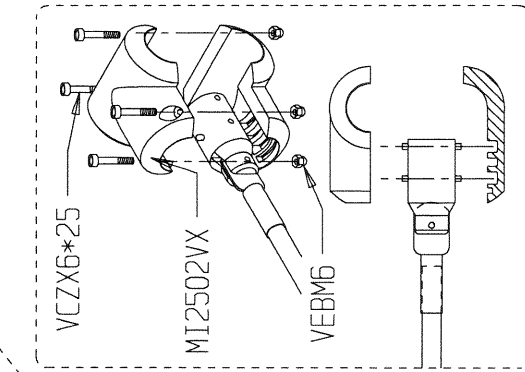
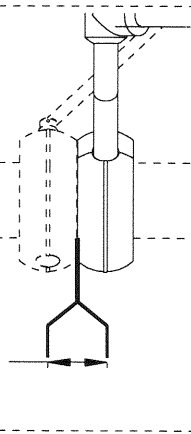
MI2502VX x 10



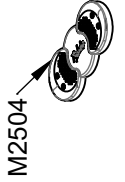
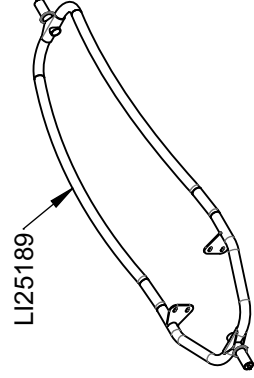
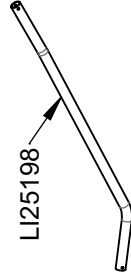
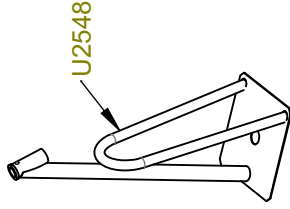
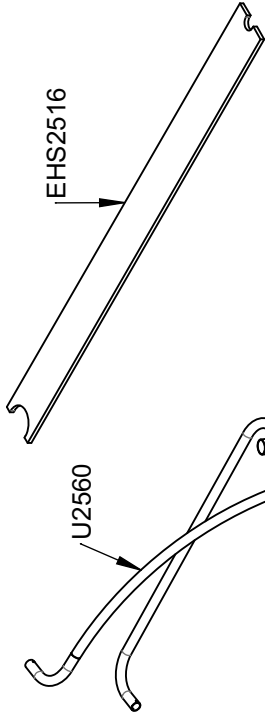
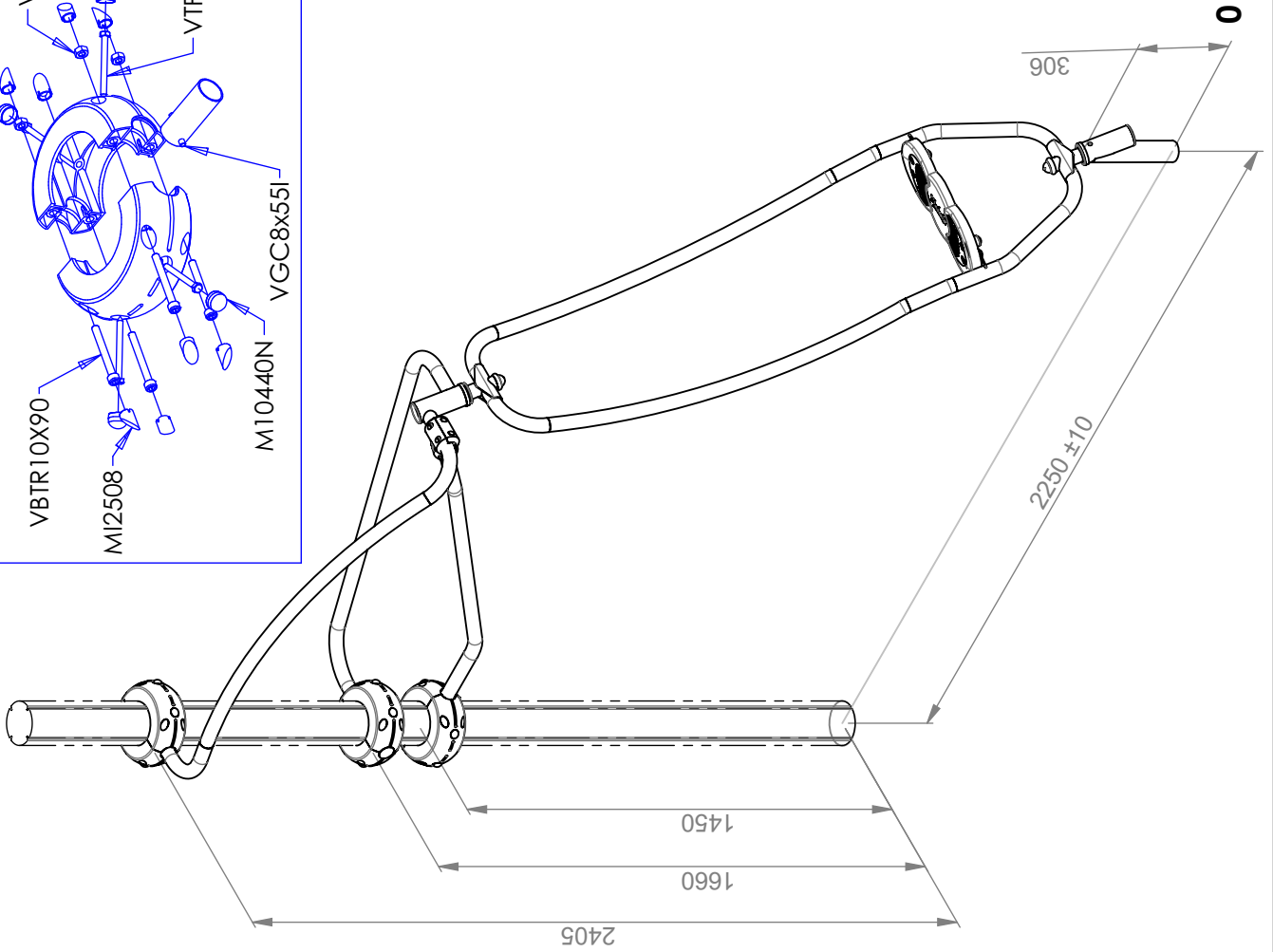
MI2501VX x4



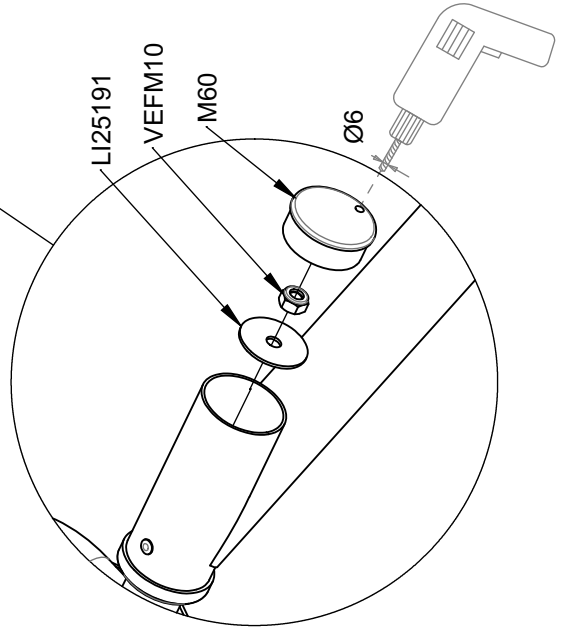
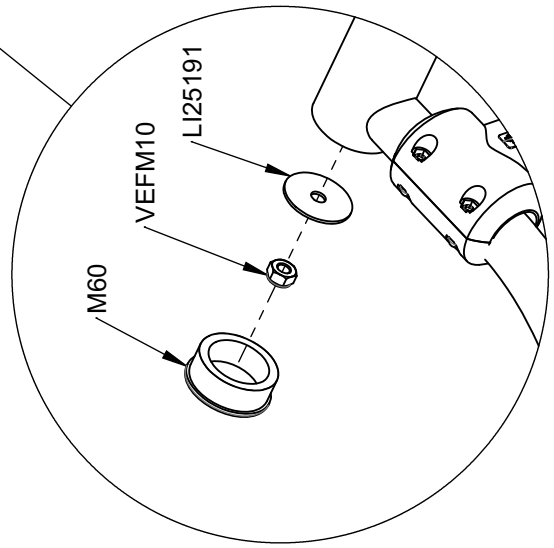
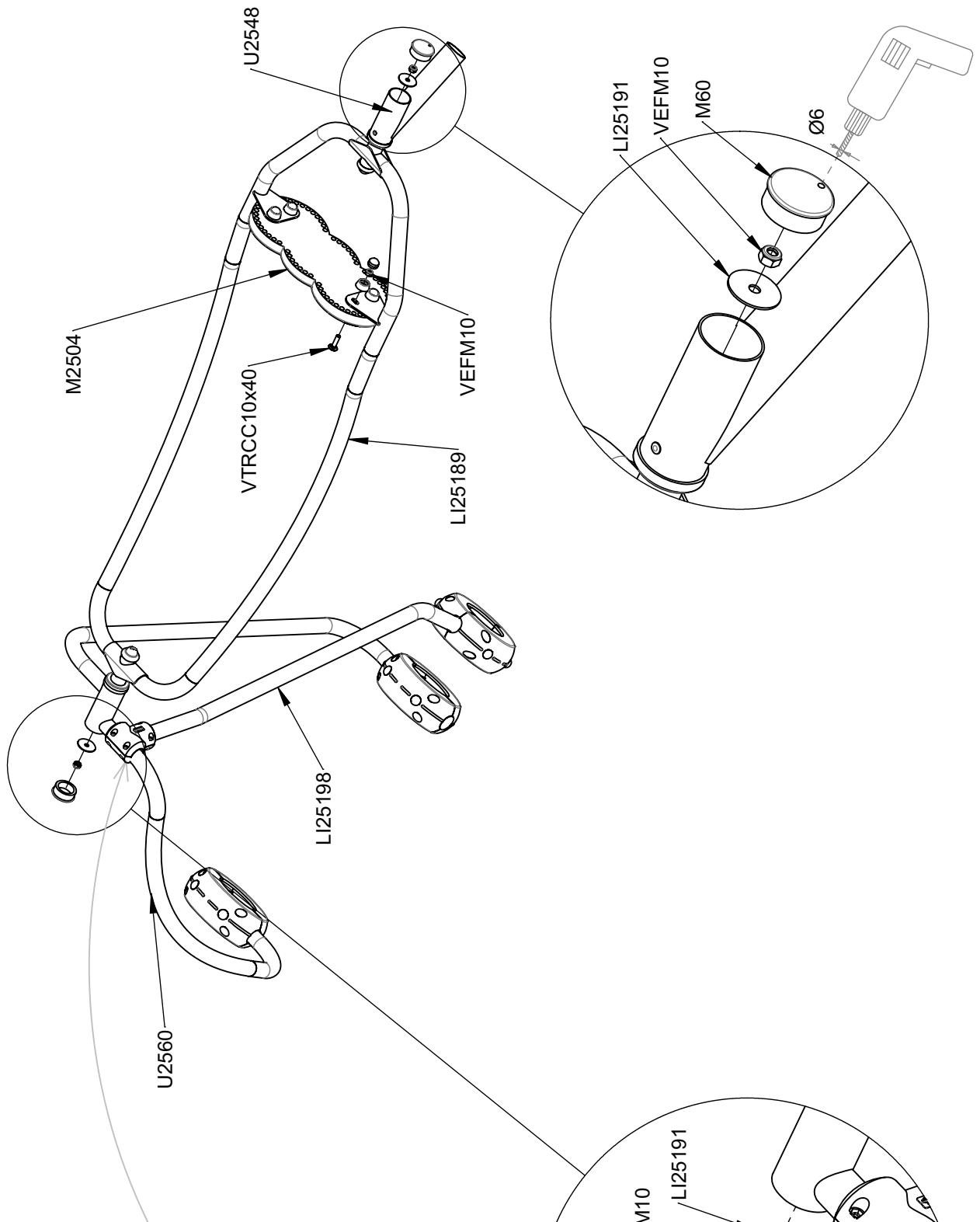
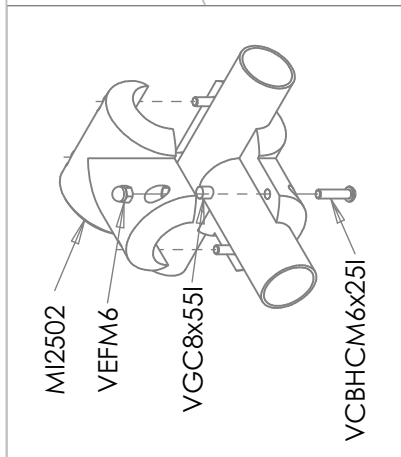
X = 0mm



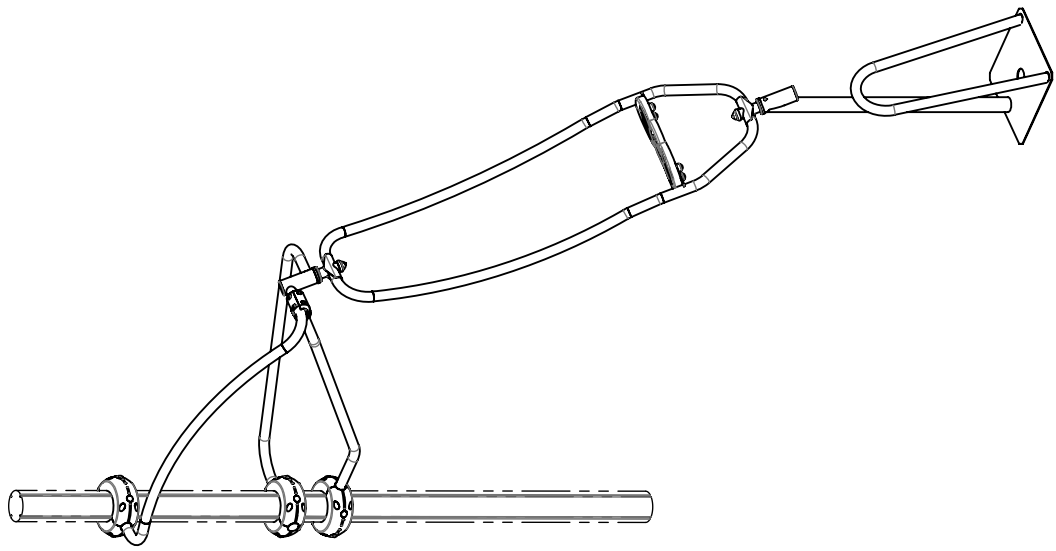
	R 2502	2
	VTF 8x90	8
	VECM10	8
	VBTR 10x90	8
	MI0440 N	8
	MI 2508VX	16
	VGC8*55I	2
	VCZX 6x25	20
	VEBM6	20
	MI0440 N	12
	MI2503 N	12
	VEFM10	12



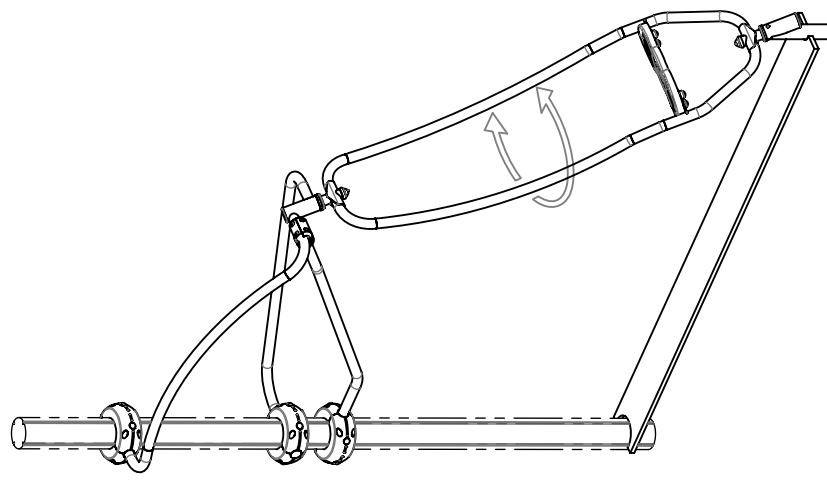
Réf	Qté
LI25189	1
LI25191	2
LI25198	1
M60	2
M2504	1
M10310N	4
M10440N	16
M12501VX	6
M12502VX	2
M12508	24
M12510N	2
R2502	3
U2548	1
U2560	1
VBTR10X90	12
VCBHC6x25I	4
VEBM6	4
VECM10	12
VEFM10	6
VGC8x55I	2
VTF8x90	12
VTRCC10x40	4



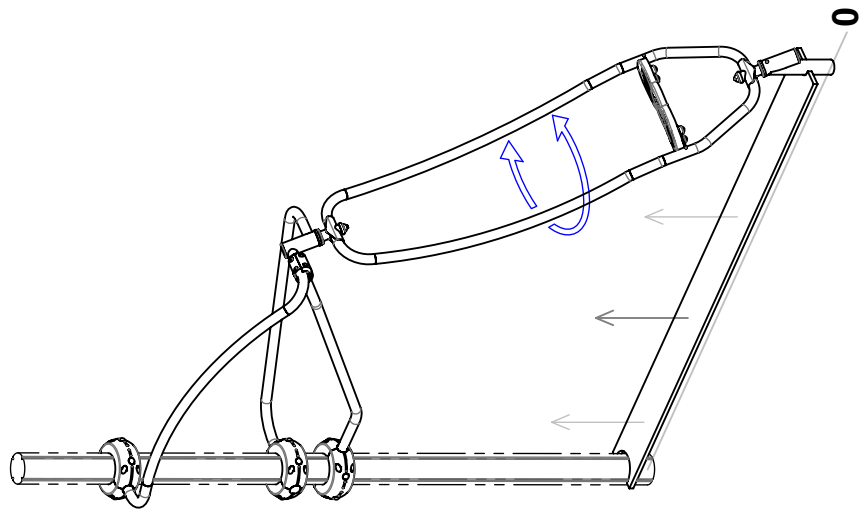
①

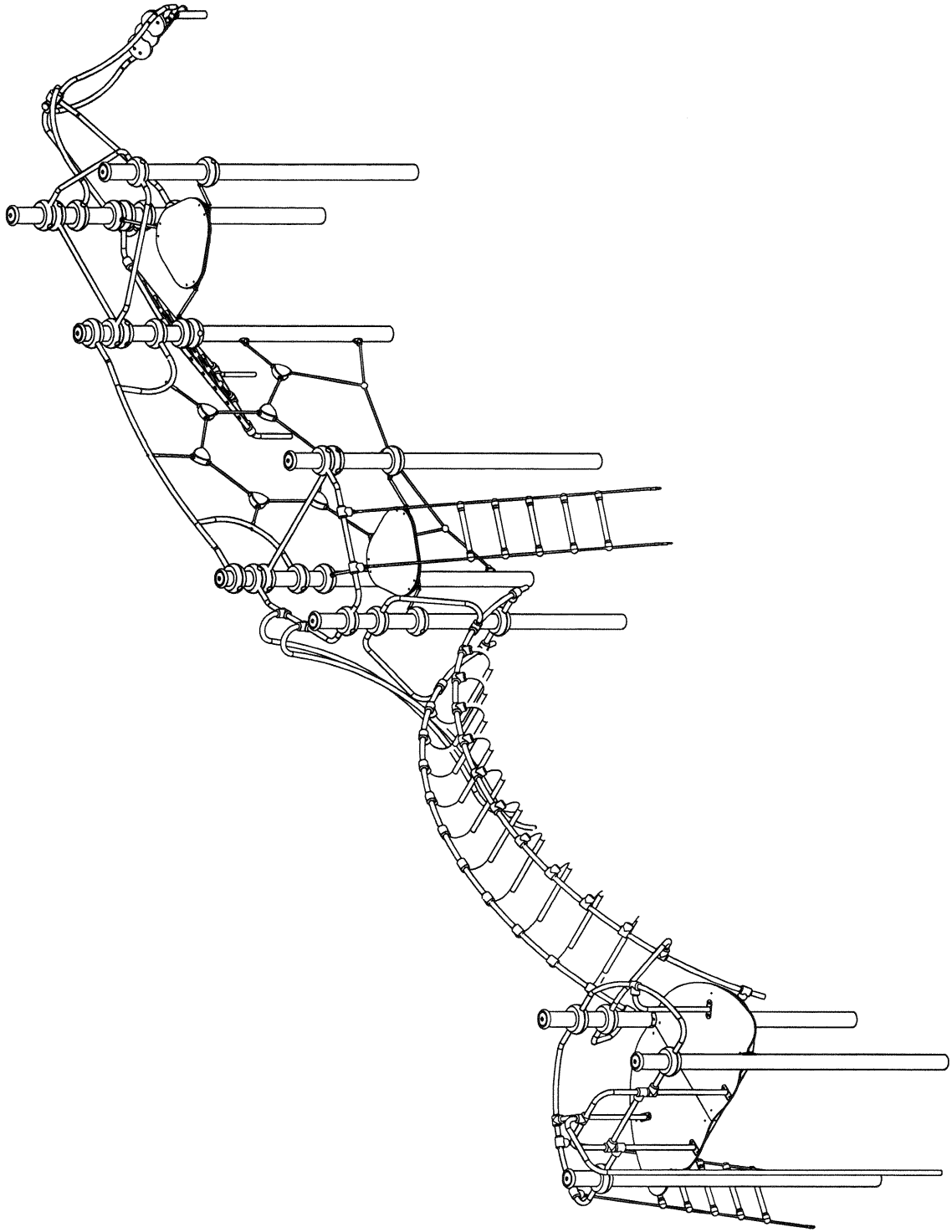


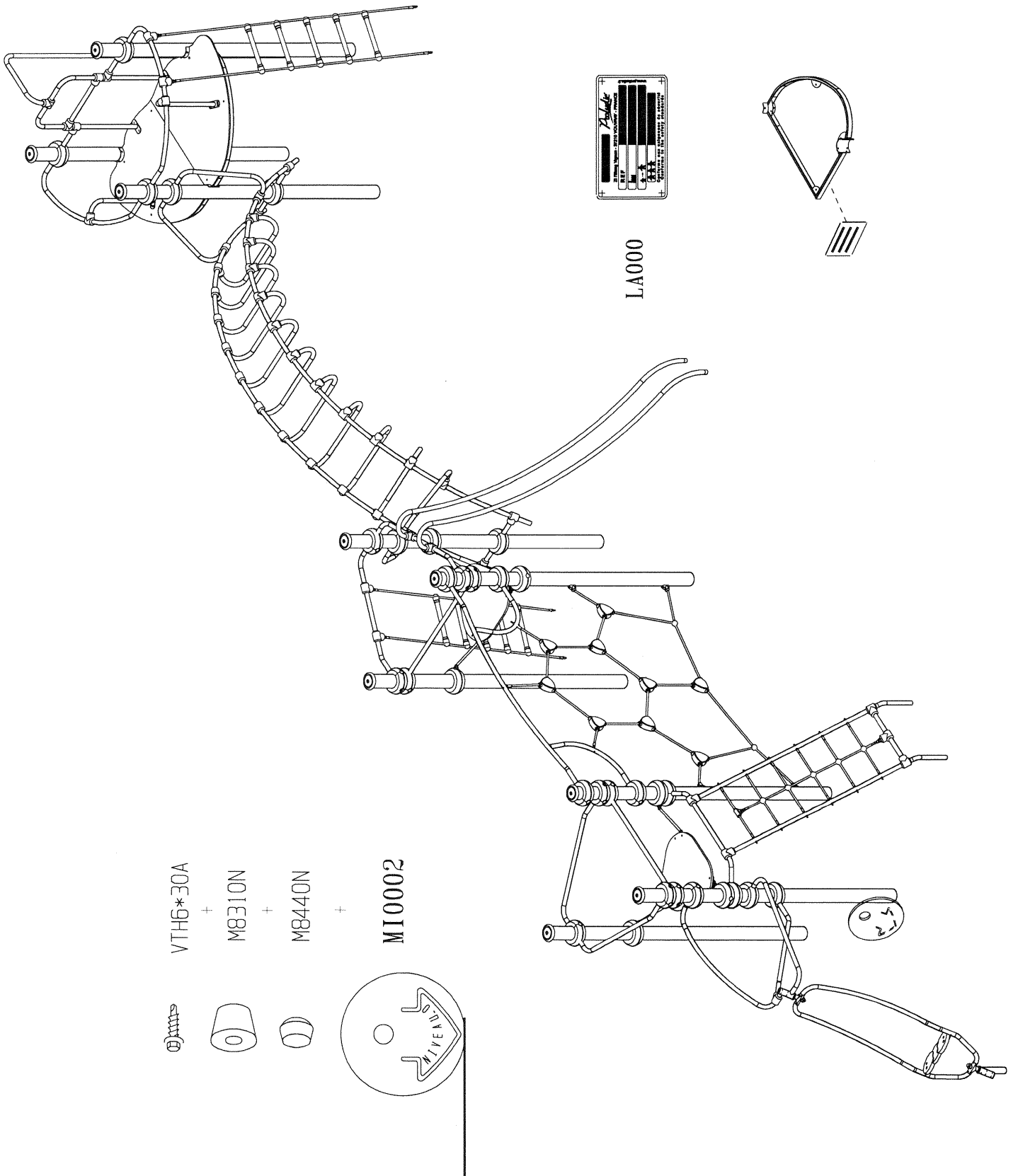
②

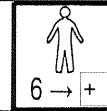


③









Pro ludic

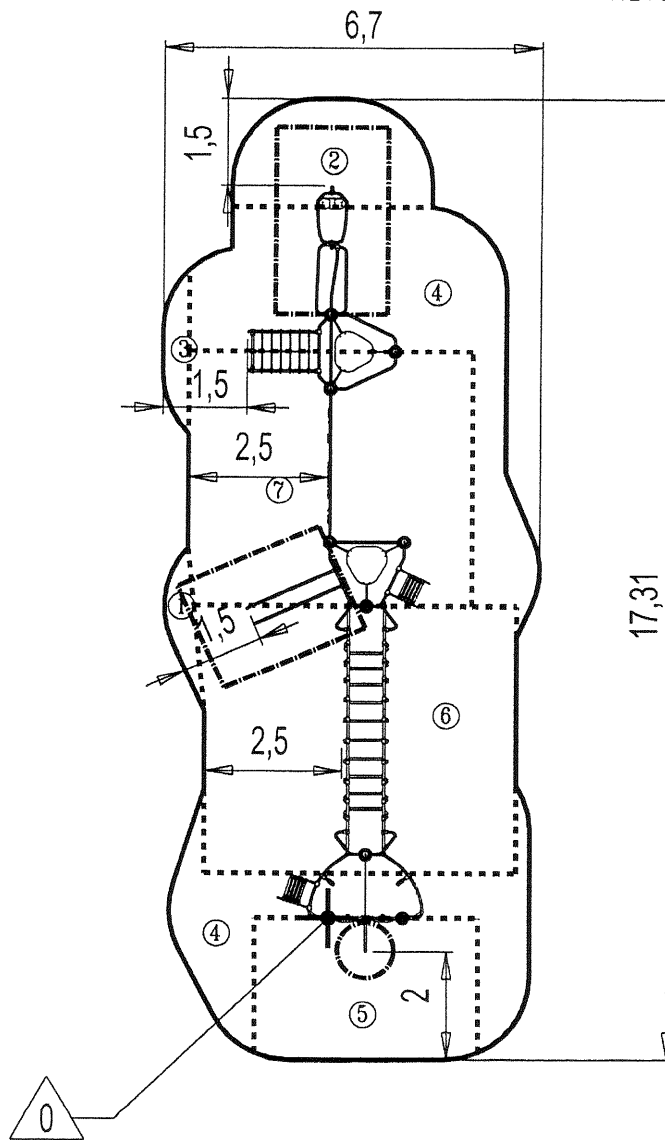
N°		M ²
①	0.6 m	1 m ²
②	0.7 m	6 m ²
③	1 m	1 m ²
④	1.95 m	27.5 m ²
⑤	2.2 m	10.5 m ²
⑥	2.4 m	27 m
⑦	3 m	23 m ²

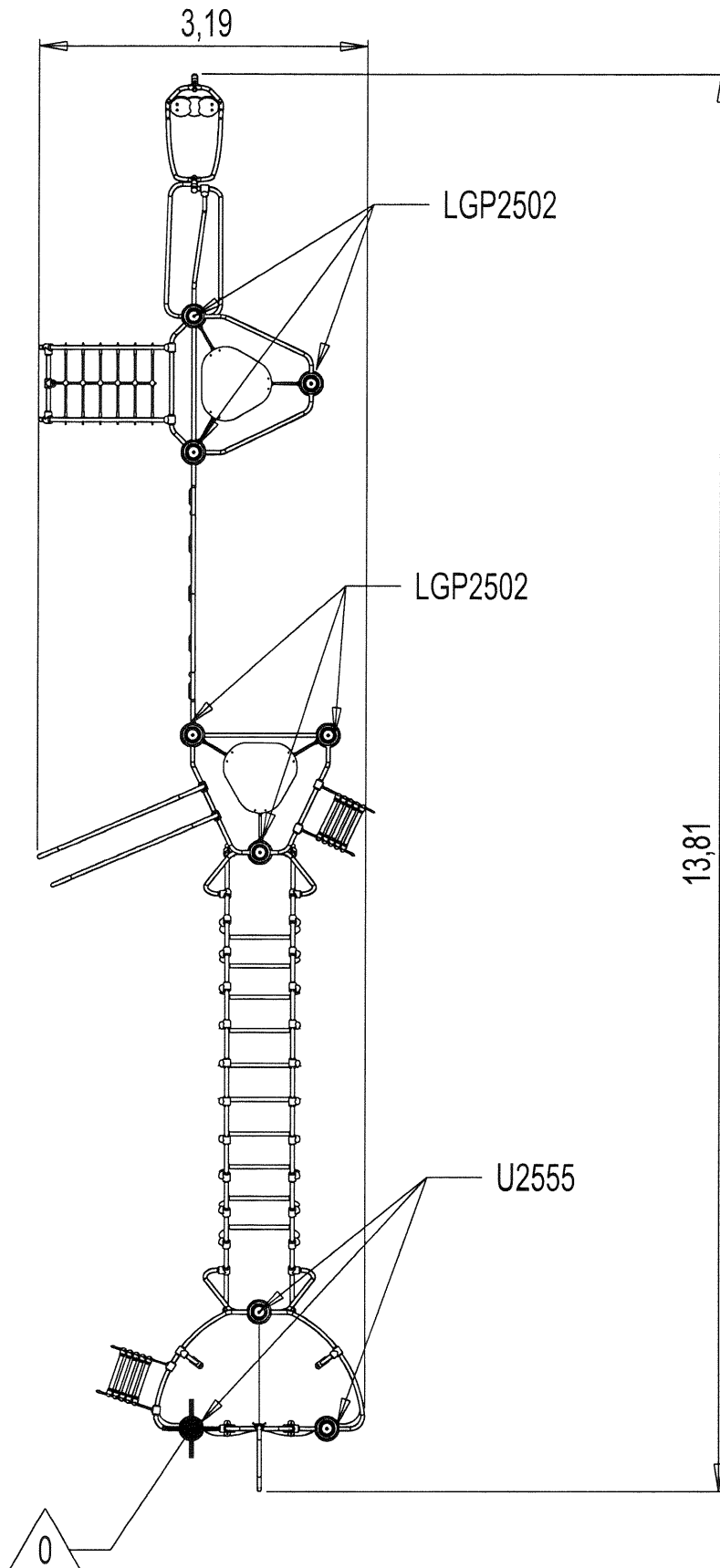
— Zone d'Impact
Impact Area
Area de Impacto
Fallraum
Valzone

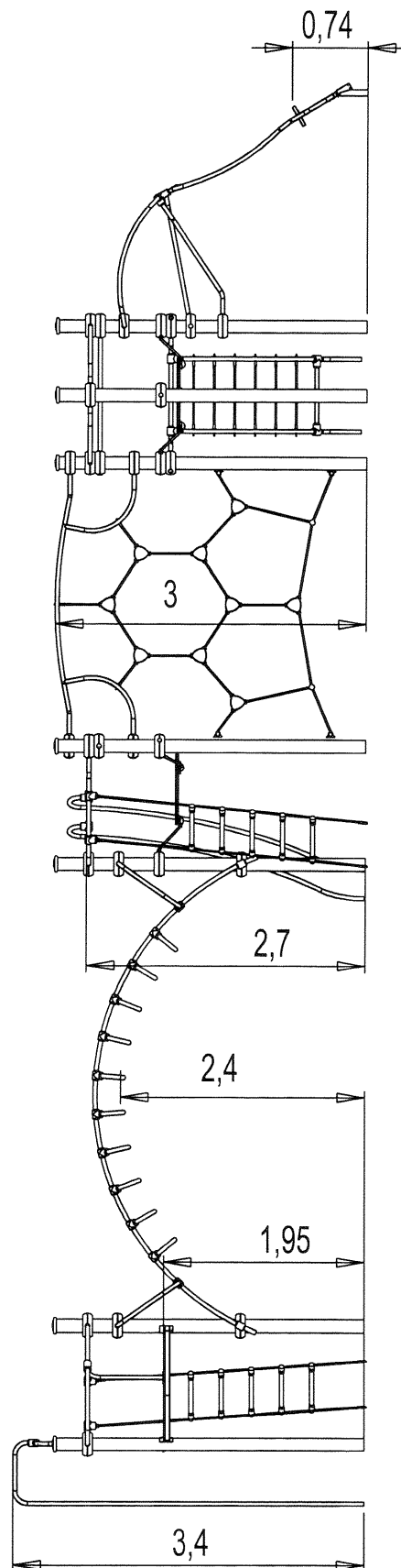
EN1176-1 : 2017

- - - Espace libre
Free Space
Espacio Libre
Freiraum
Vrije ruimte

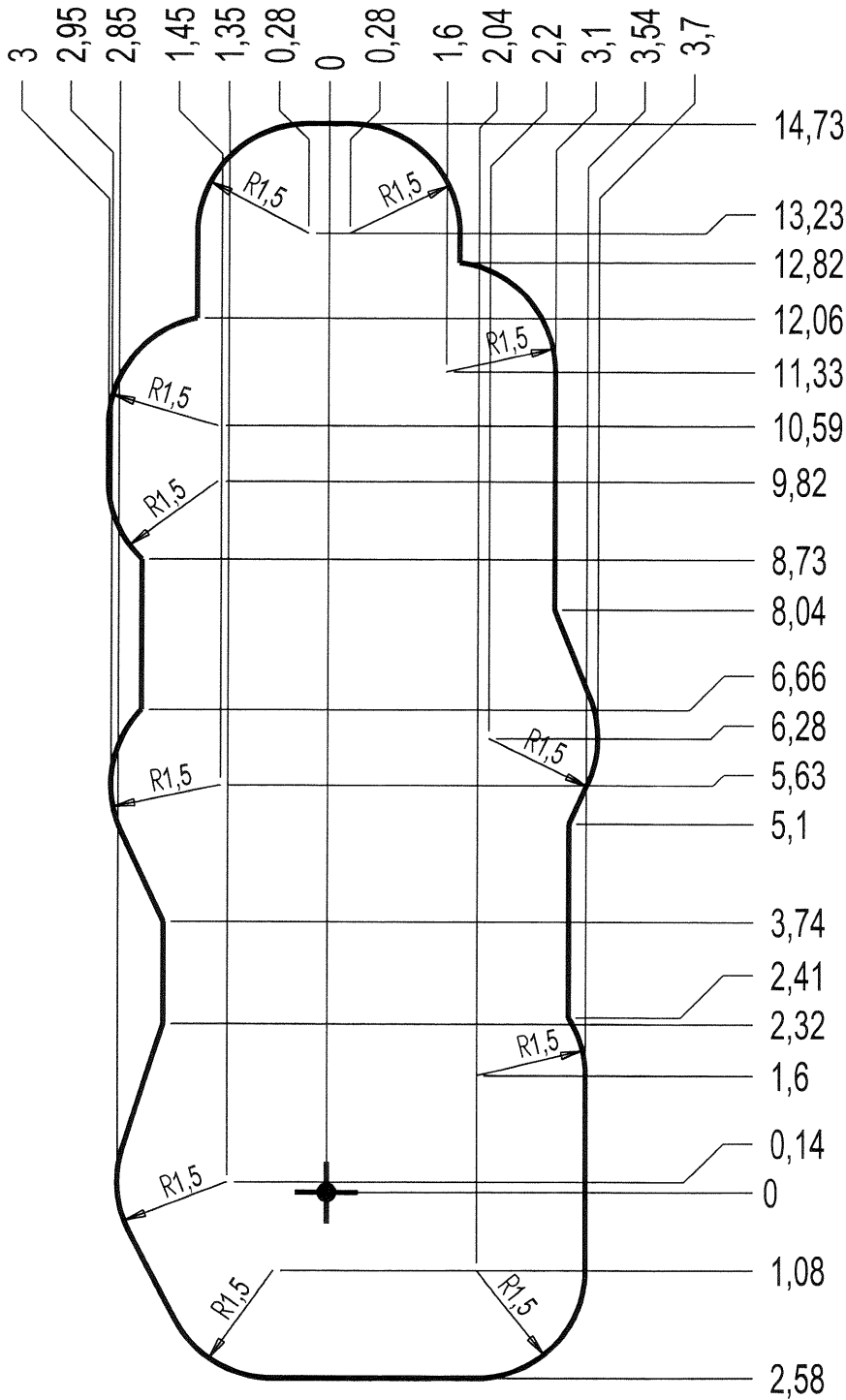
Point de Référence
Setting Out Point
Punto de referencia
Bezugspunkt
Referentiepunt



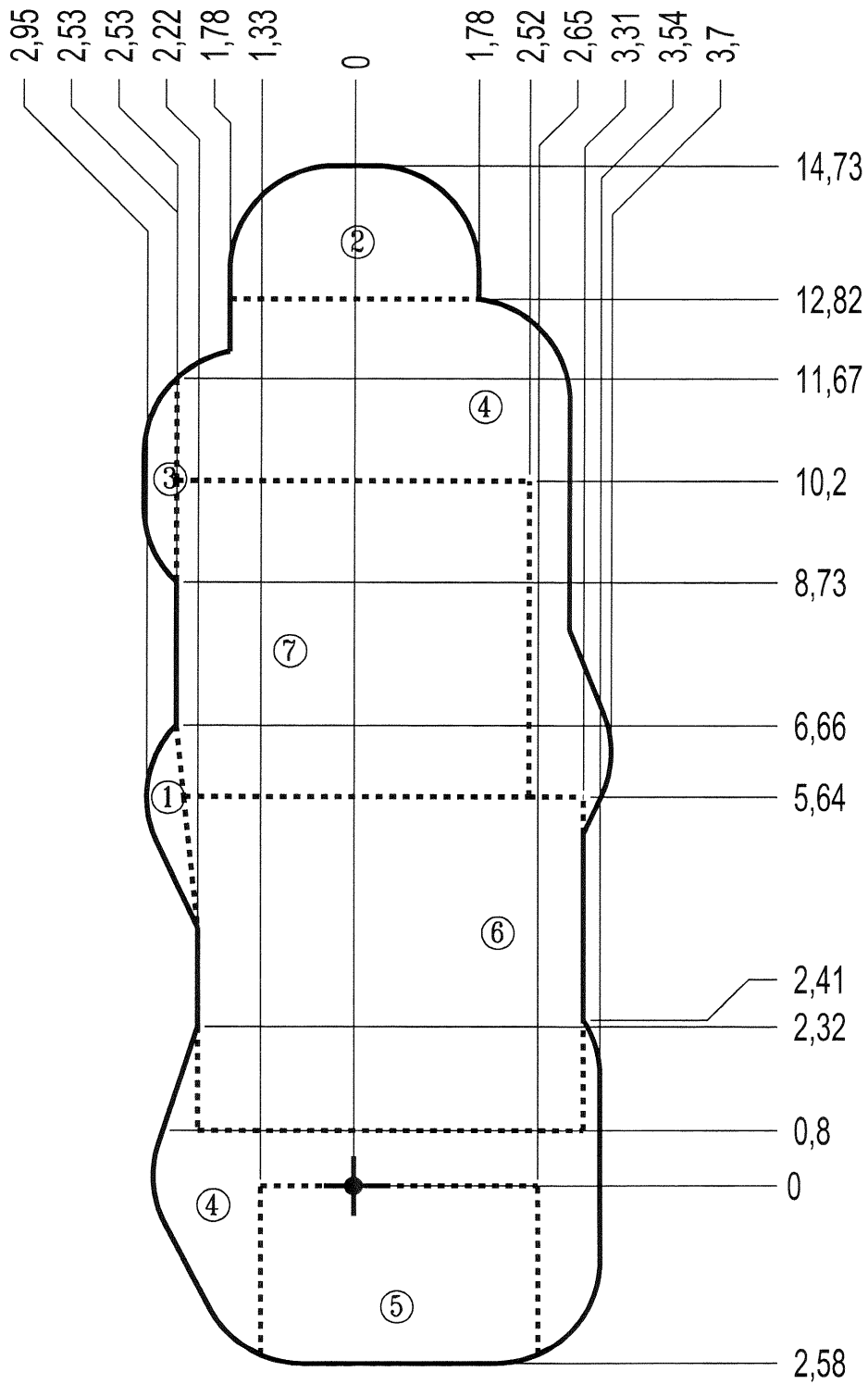




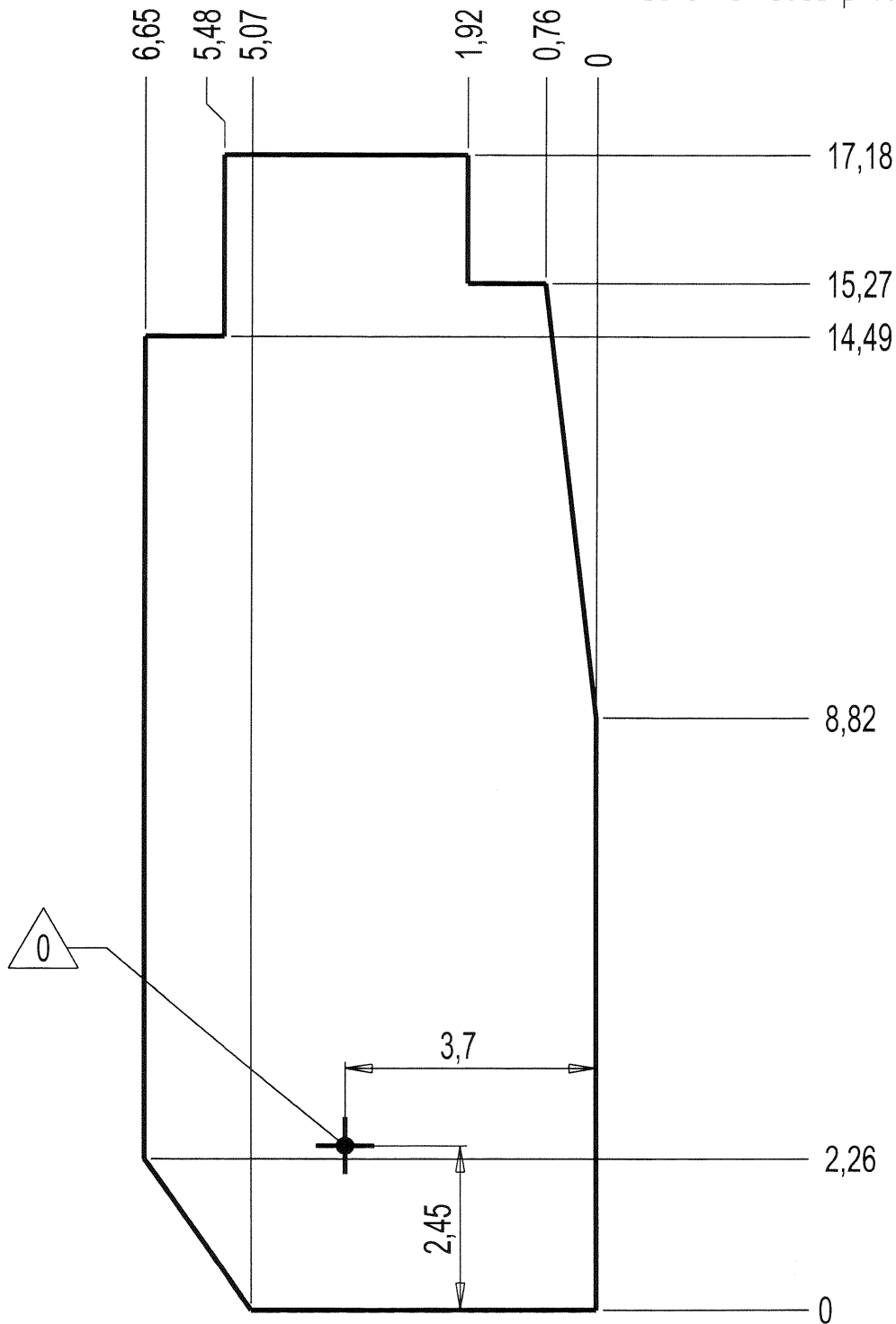
— Zone d' Impact 96 m²
 Impact Area
 Area de Impacto
 Fallraum
 Valzone



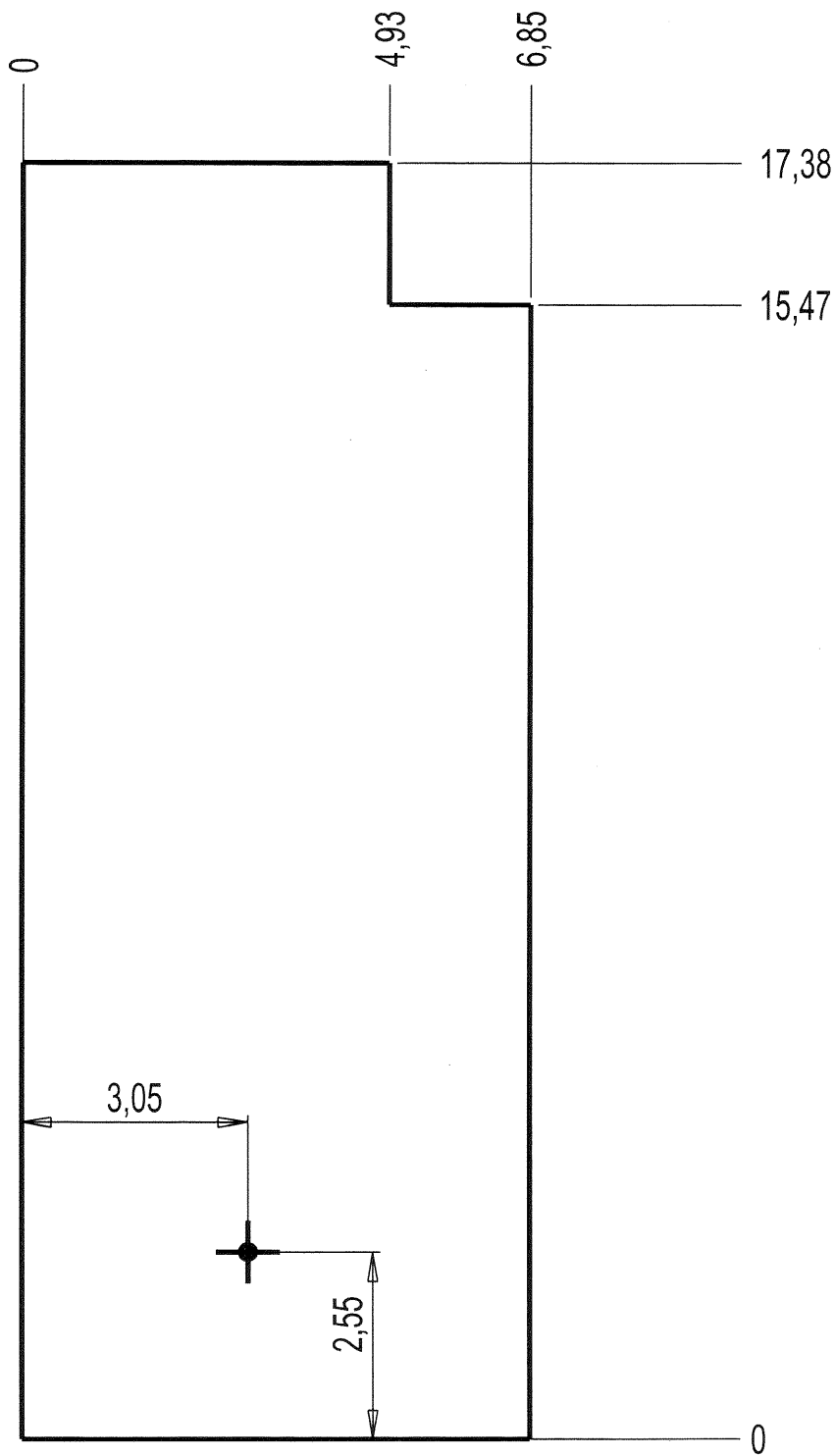
— Sol souple 96 m²
 Wetpour
 Caucho Continuo
 Synthetischer Fallschutz
 Gietvloer

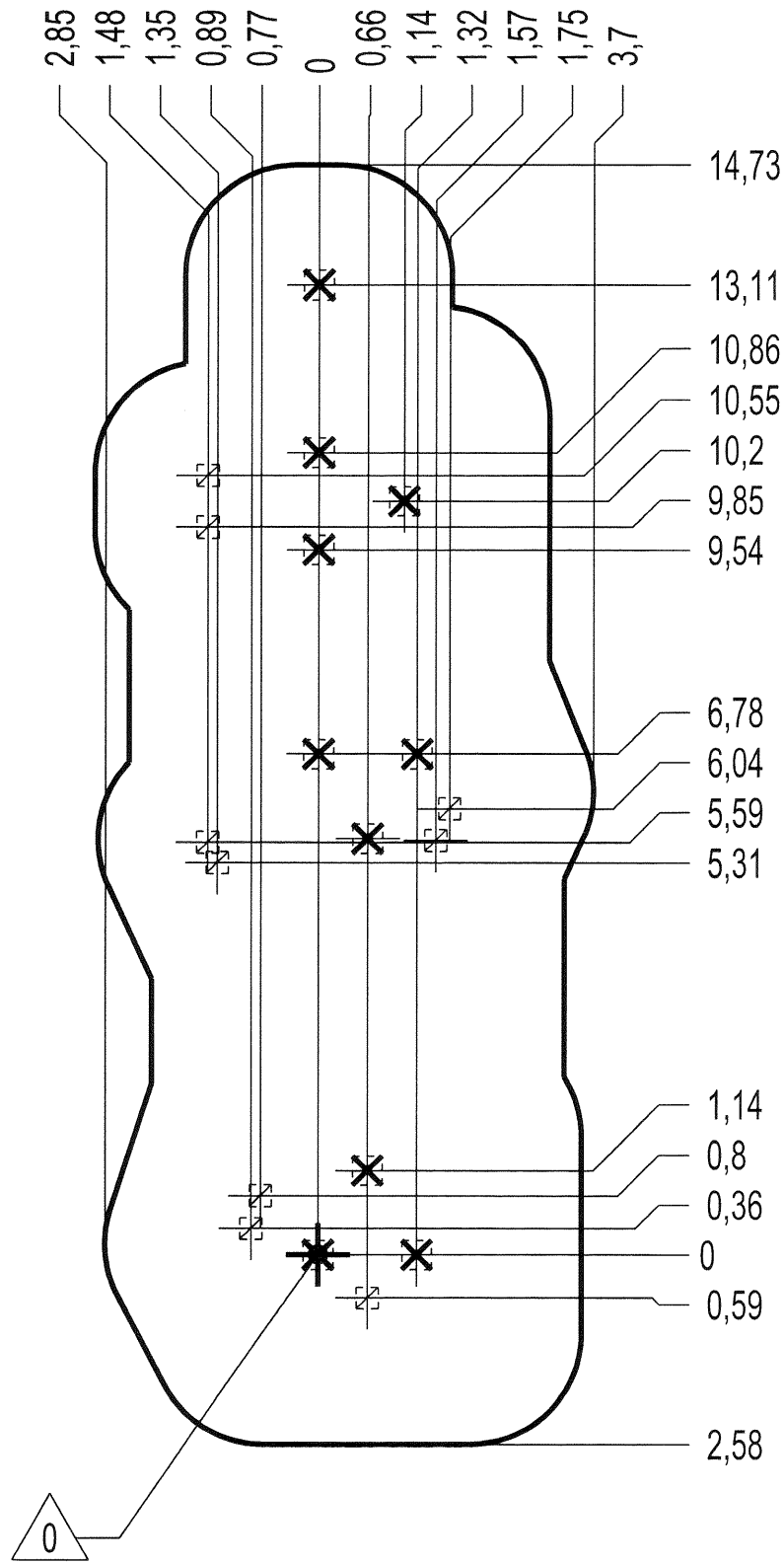


— Dalle béton 46 m
 Concrete pad 103 m²
 Solera de Hormigón
 Beton Bodenplatte
 Betonnen bodemplaat

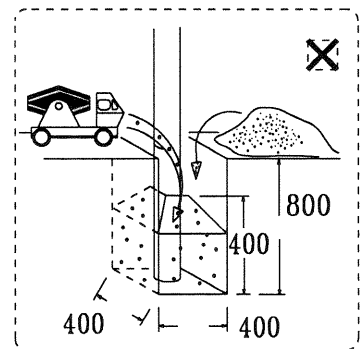
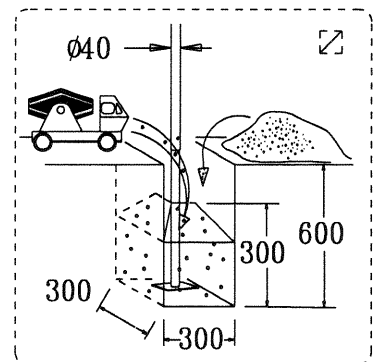




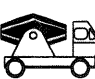
— Sol fluent 49 m
 Loose particle material 116 m²
 Arenero
 Loses Bodennaterial
 Los bodennateriaal



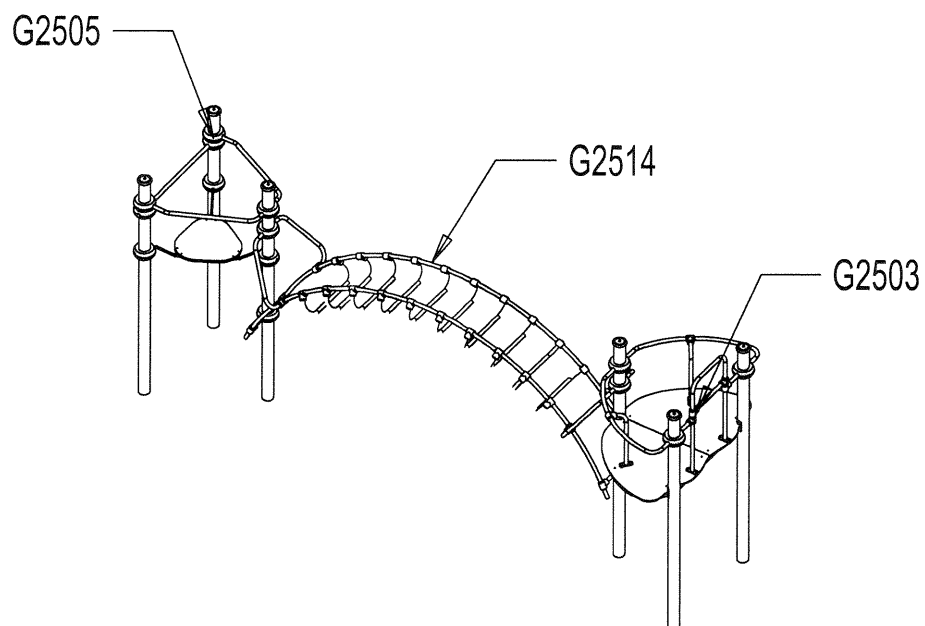


Implantation
 Footing plan
 Implantación
 Fundamentplan
 Funderingstekening

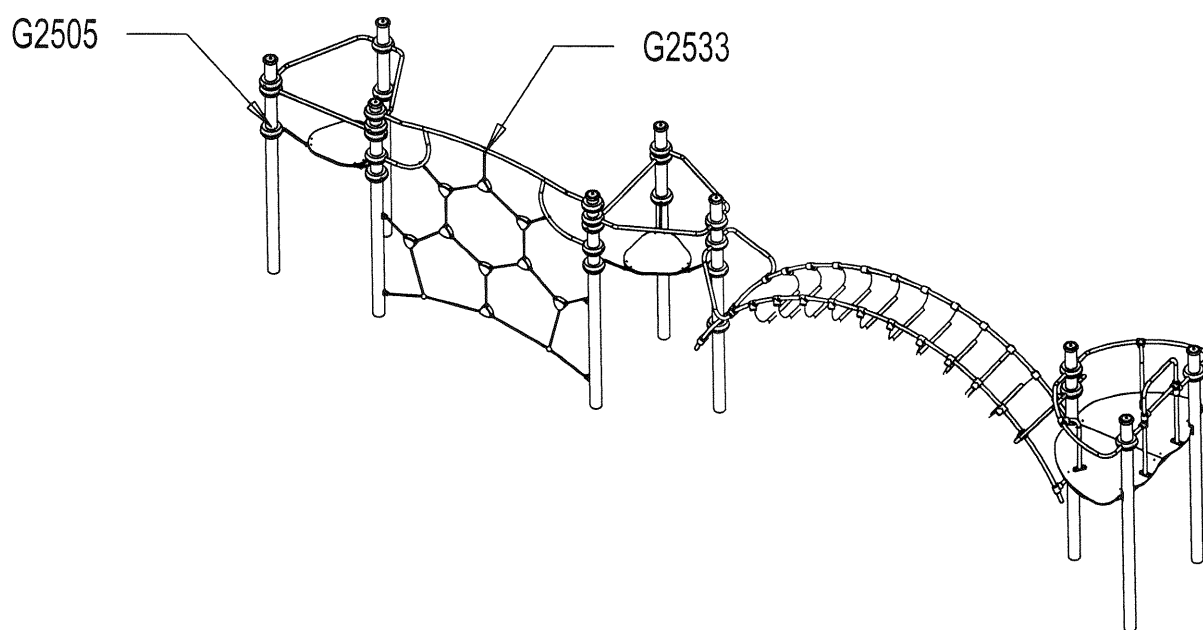


 x2	 24H	 1.4m ³
---	---	---

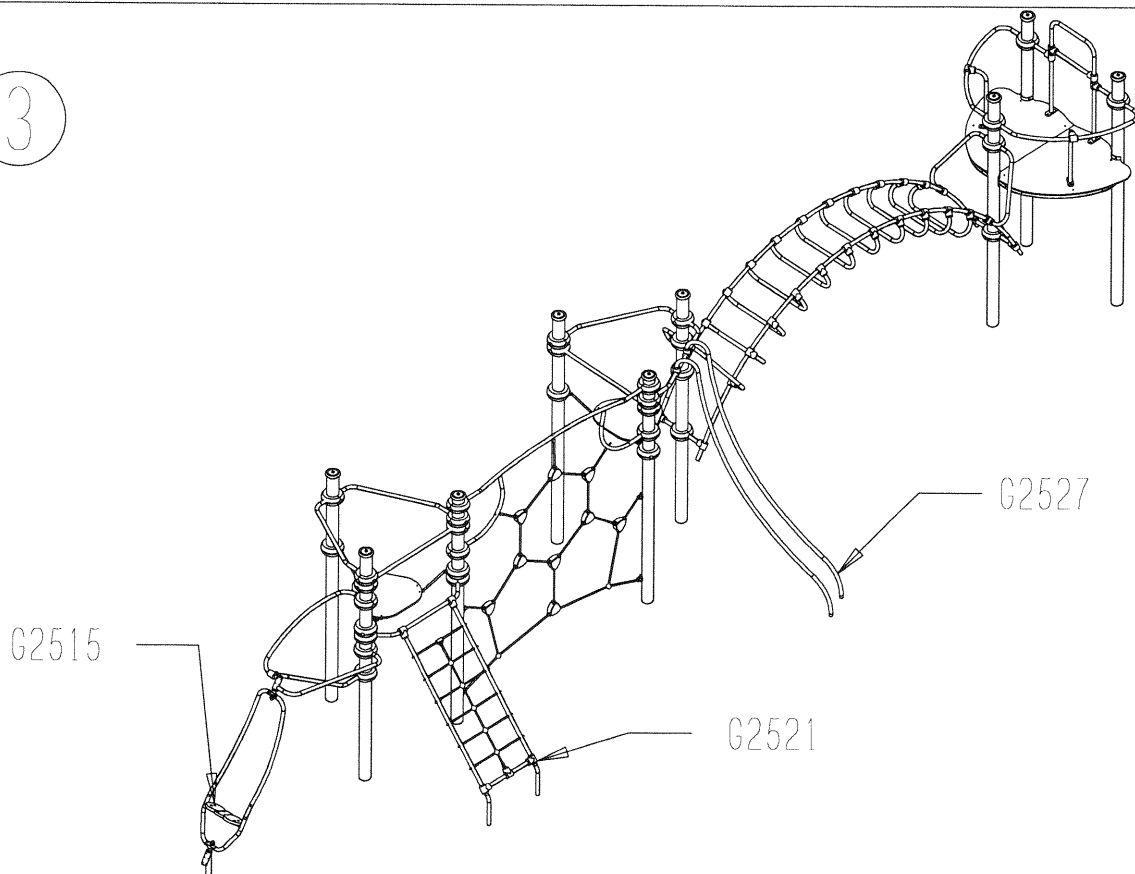
1



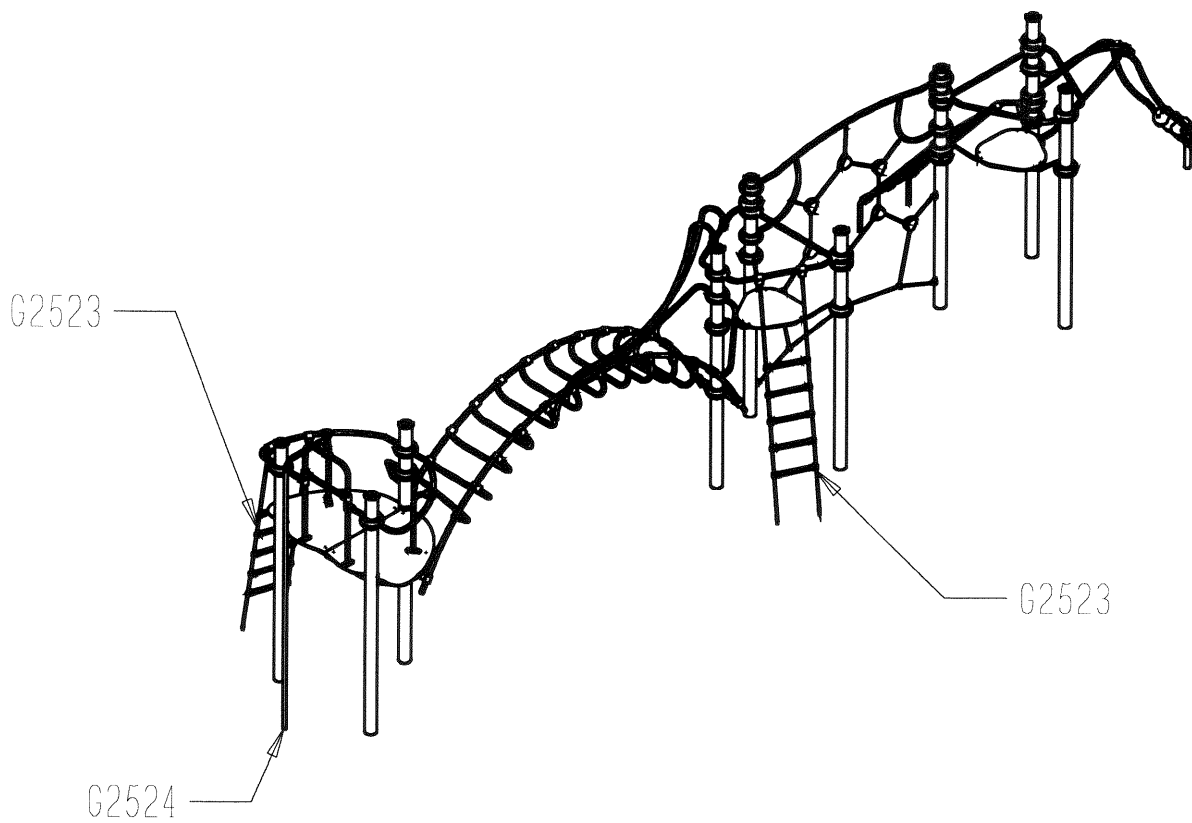
2

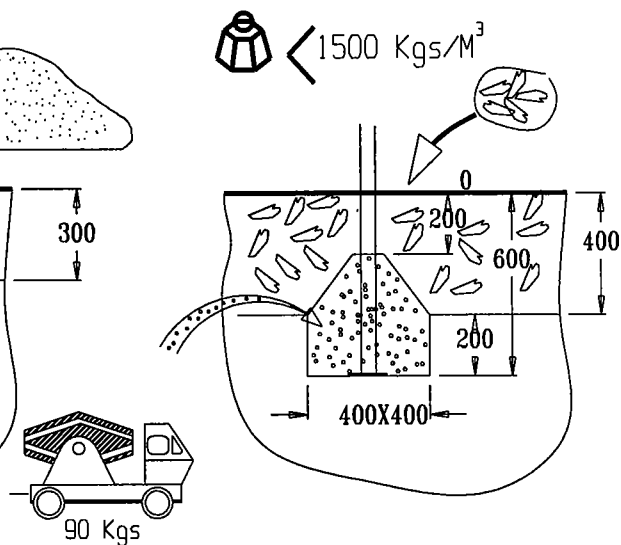
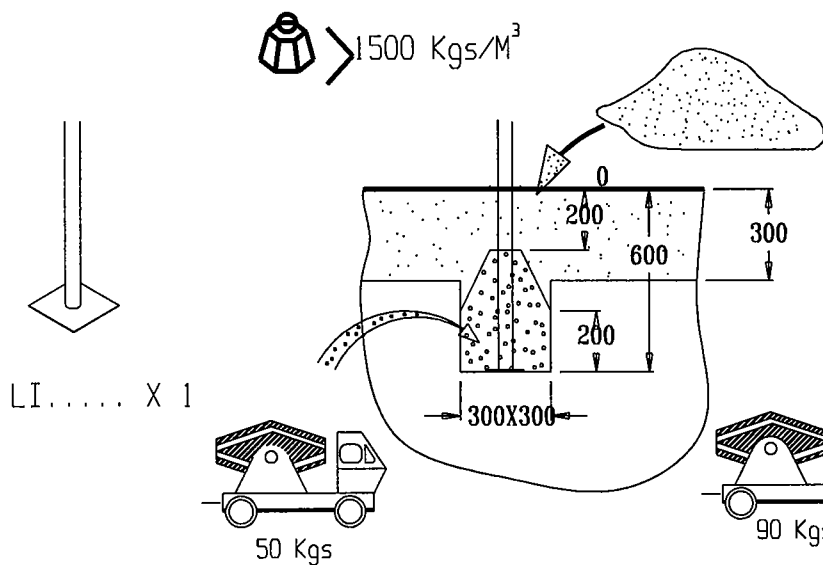
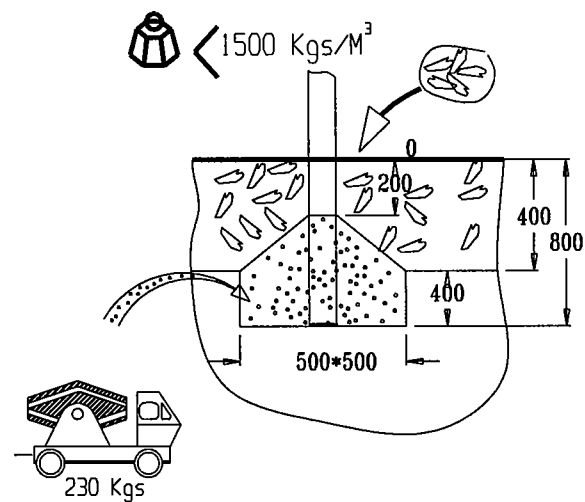
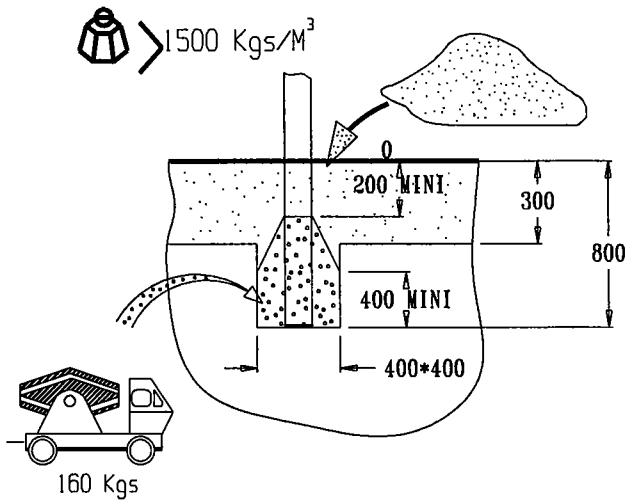
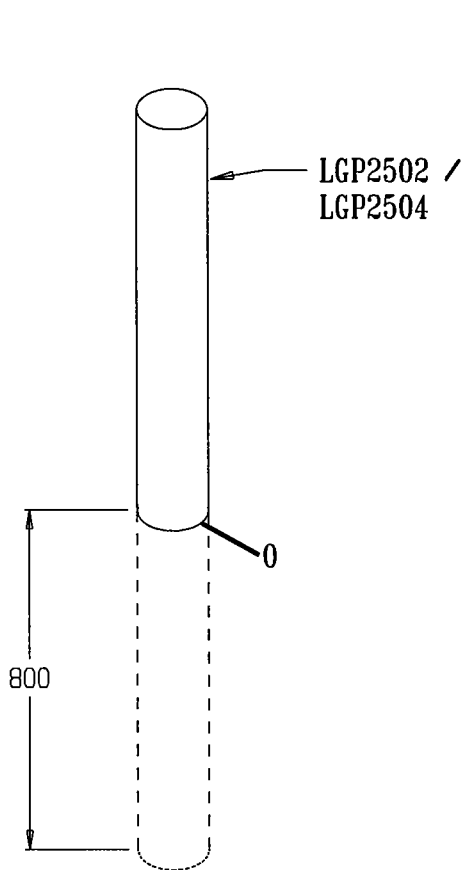


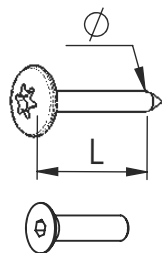
3



4







VBT 6 x 30
 \varnothing \uparrow L (mm)

VFHC



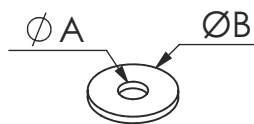
VEC M10
 \varnothing



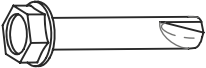
VEF




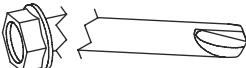
VEB



VR6x18
 $\varnothing A$ $\varnothing B$




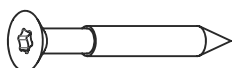
VTHA

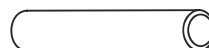
1000 - 1800 tr/min
 Vitesse de rotation
 Rotation speed

14 N.m
 Couple de rupture
 Torque of break

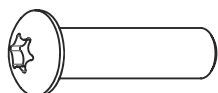




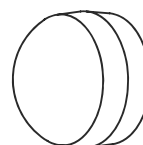
VWT



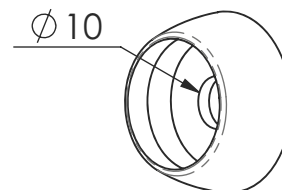
VGC



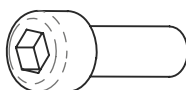
VCBHC



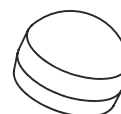
M10 440N



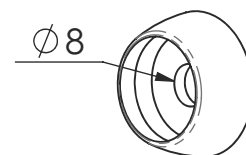
M10 310 N



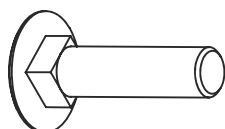
VBTR



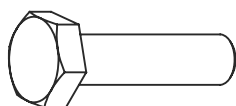
M8440N



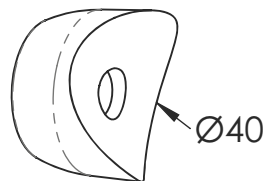
M8310N



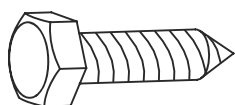
VTRCC



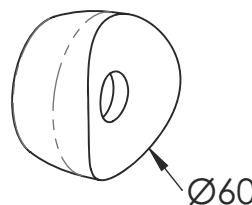
VTH



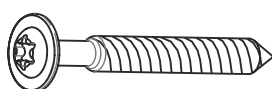
MI2503



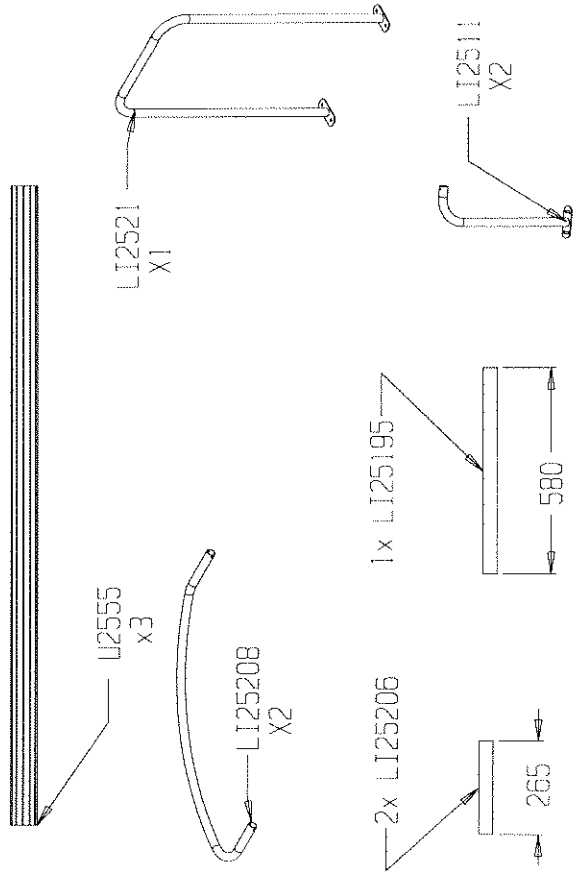
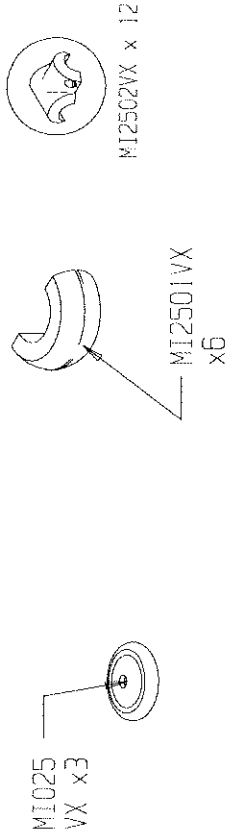
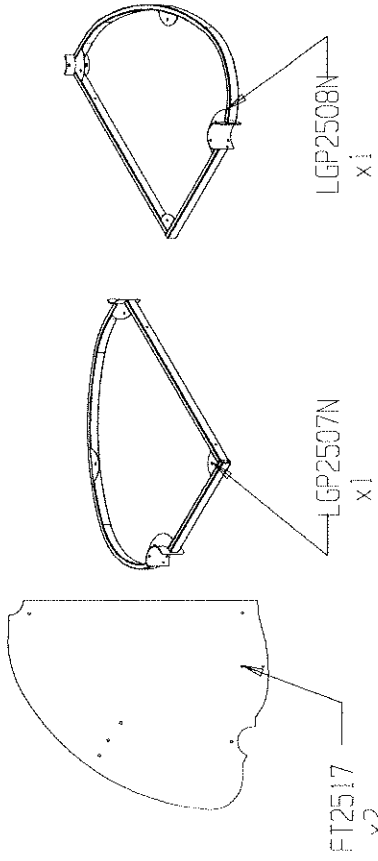
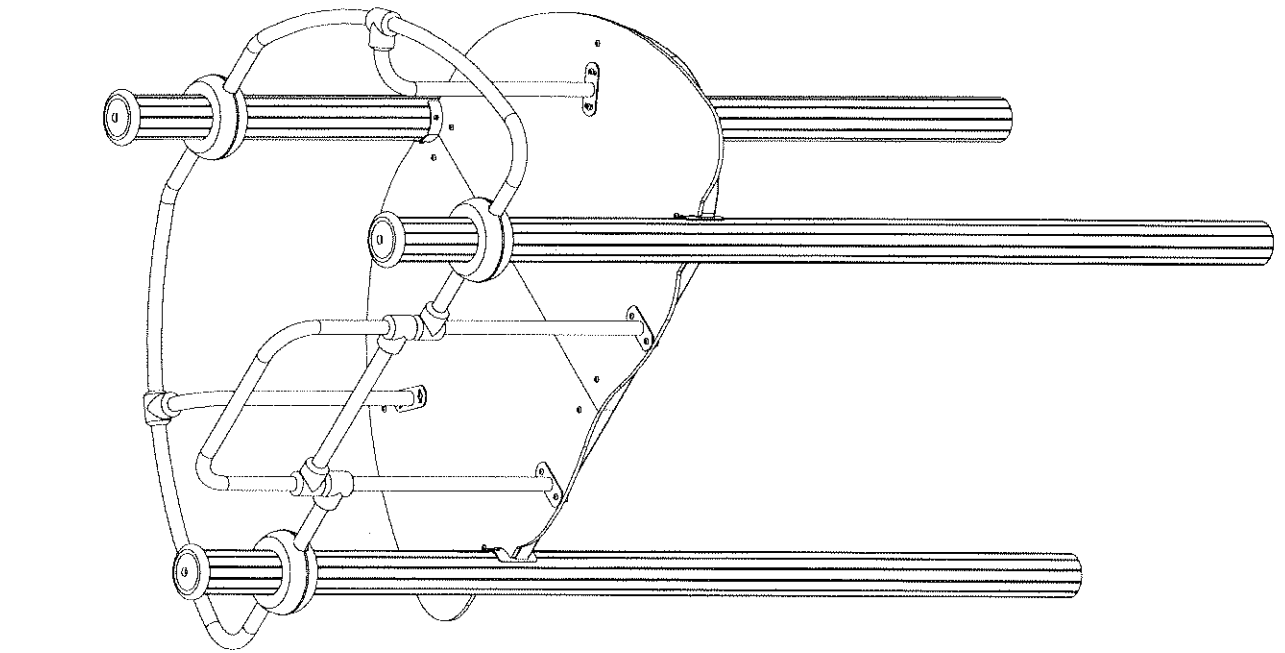
VTF

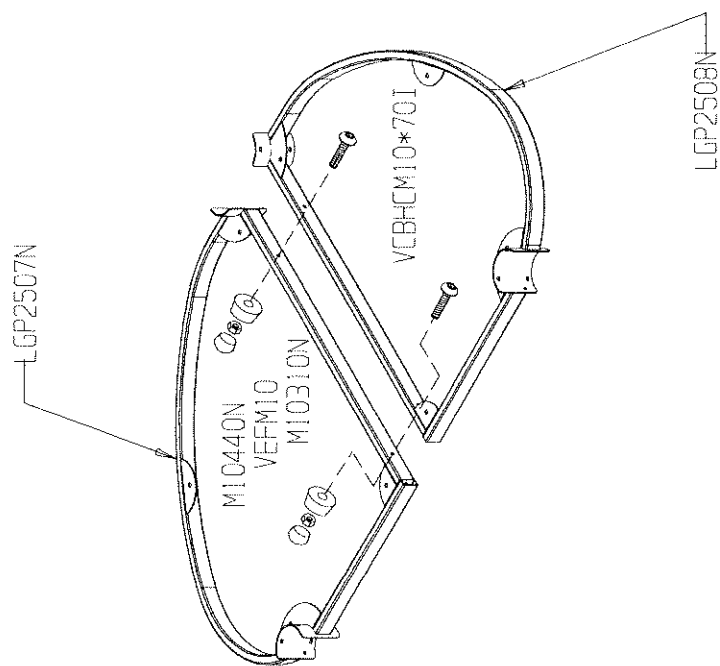


MI2701

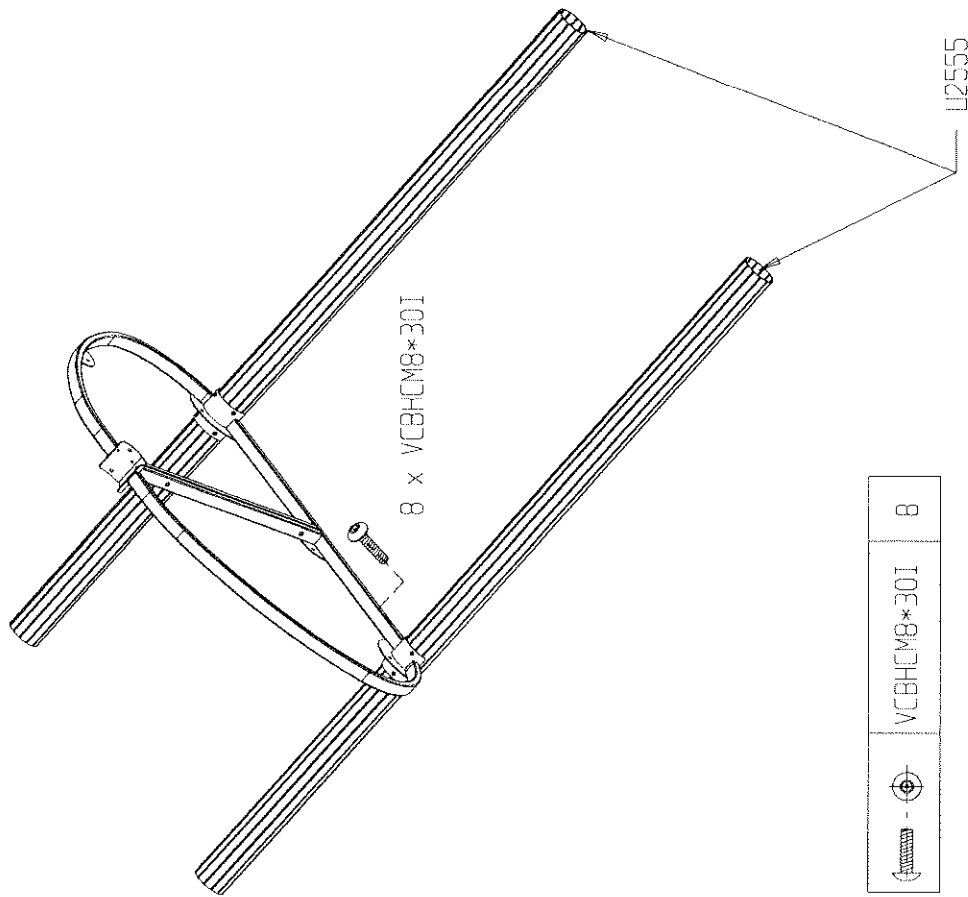


VBT





	M10310N	2
	M10440N	2
	VCBHCM10*70I	2
	VEFM10	2

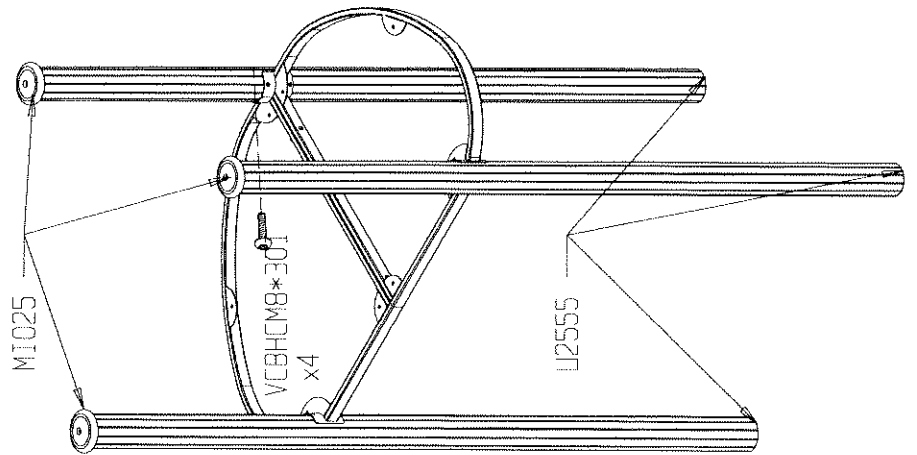
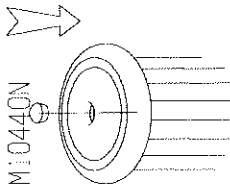
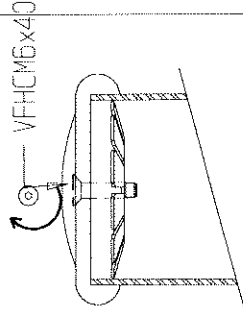
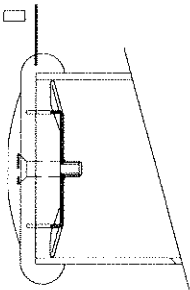
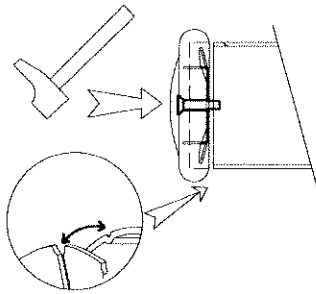
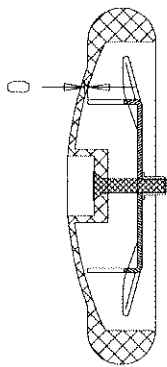
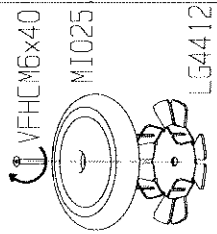


	VCBHCM8*30I	8
--	-------------	---

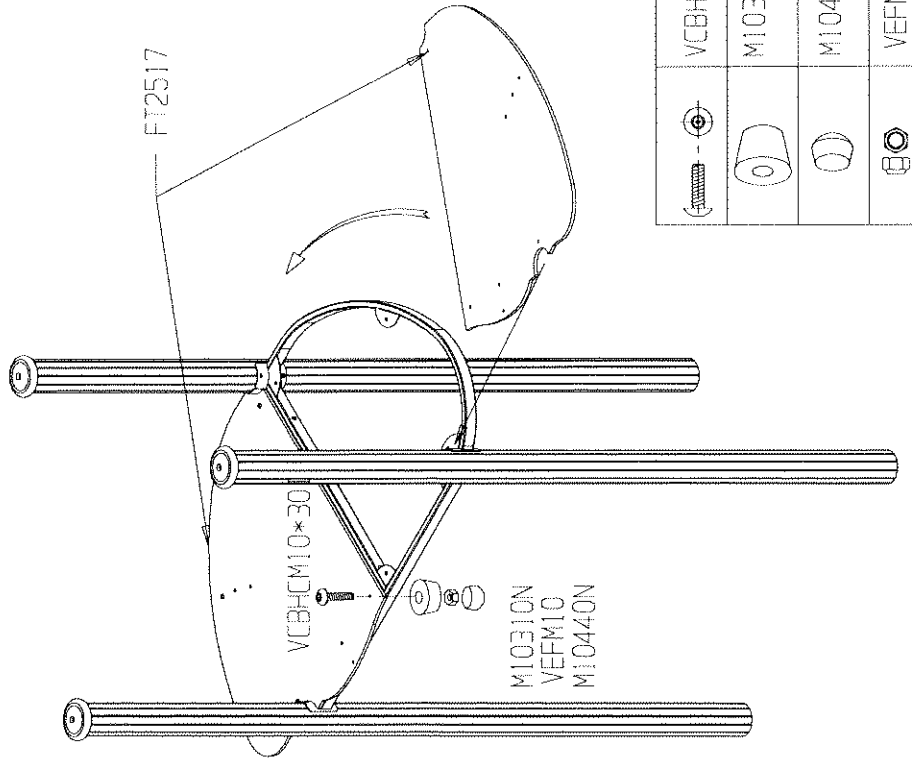
G2503M

3/5

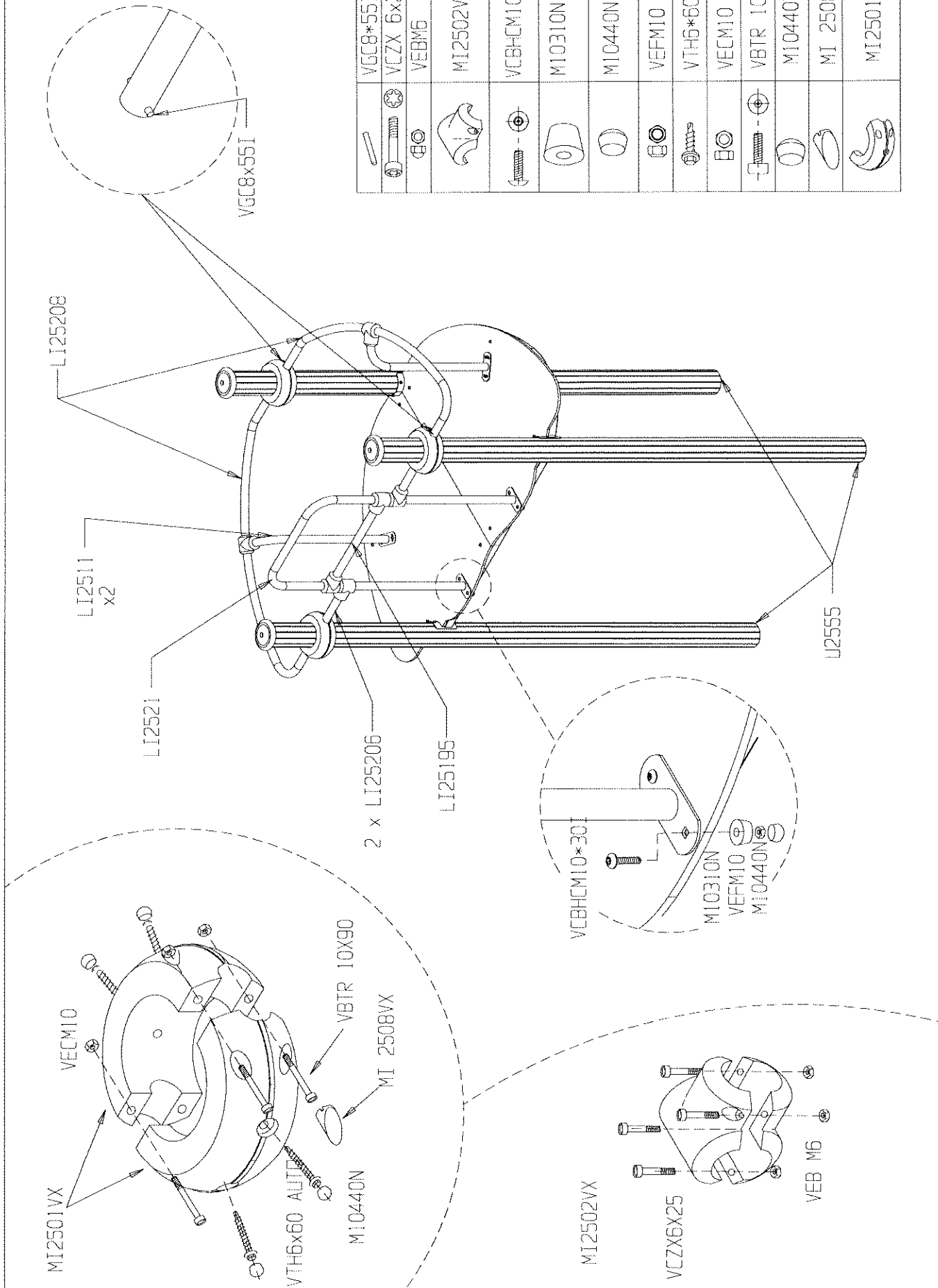
ProLudic



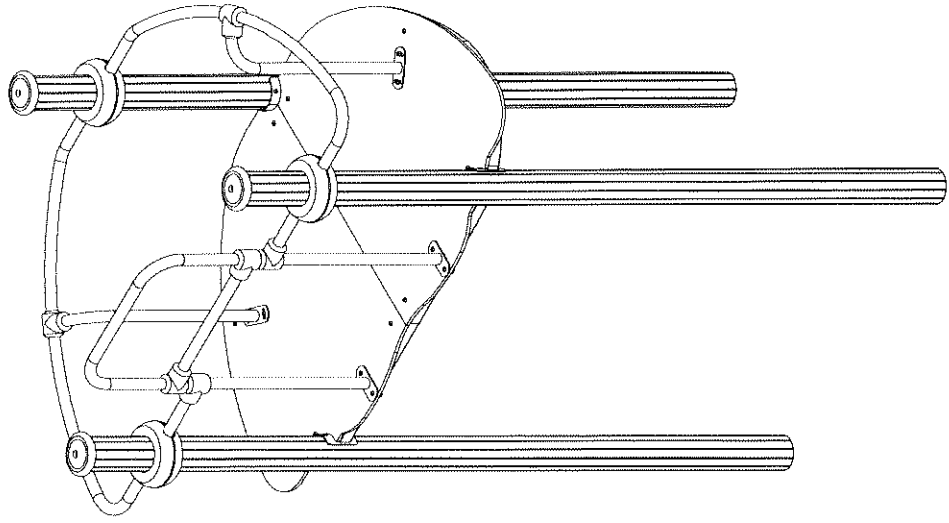
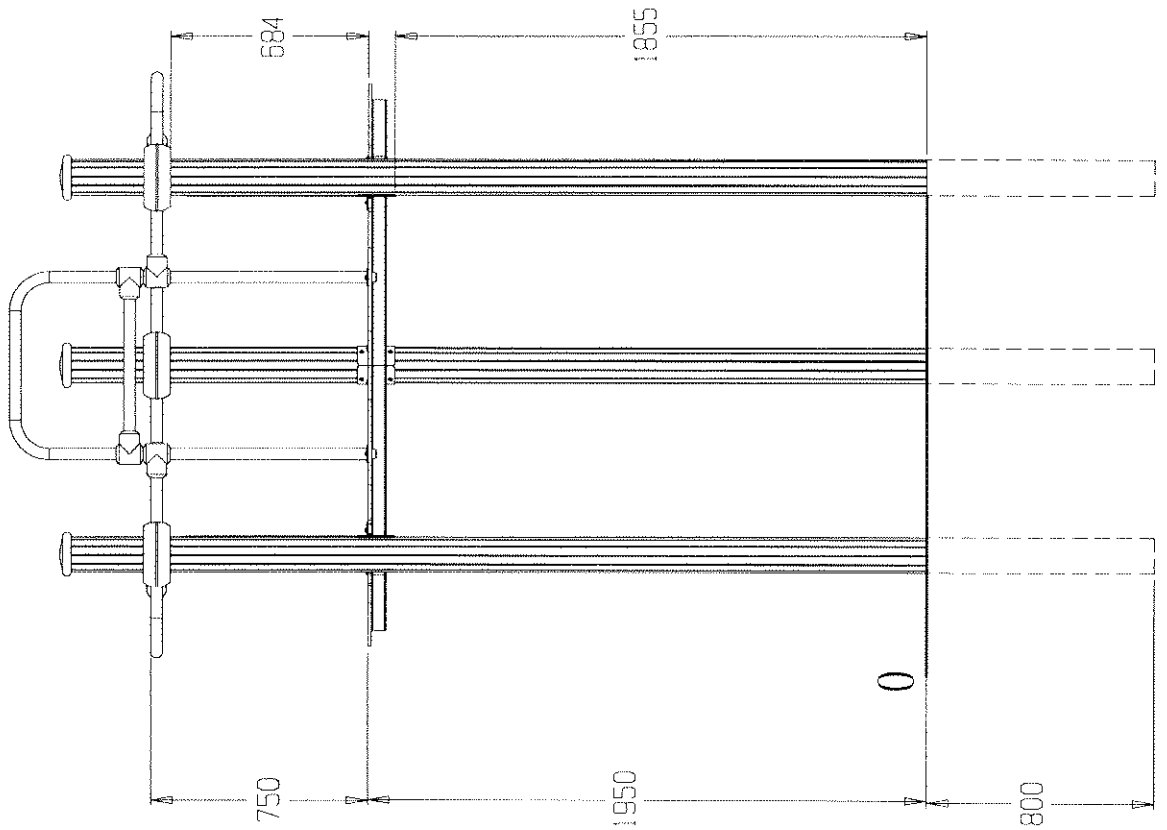
	VFHCM6x40	3
	MI 025VX	3
	MI0440N	3
	LG4412	3
	VCBHC8*30I	4

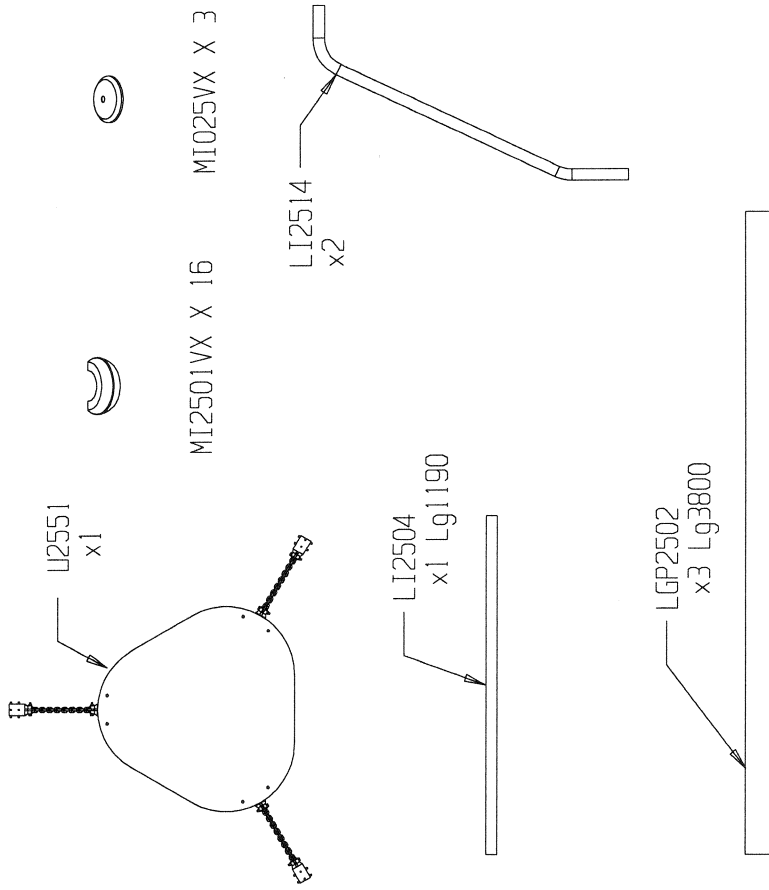
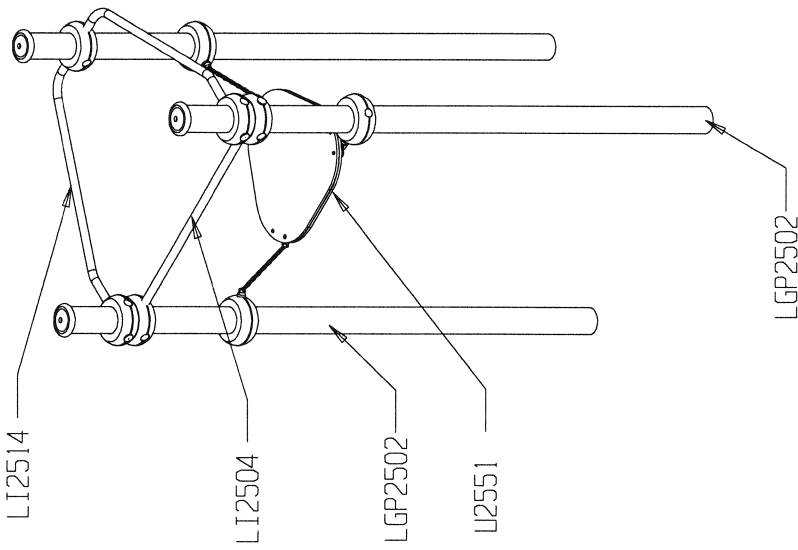


	VCBHC10*30I	8
	MI0310N	8
	MI0440N	8
	VEFM10	8

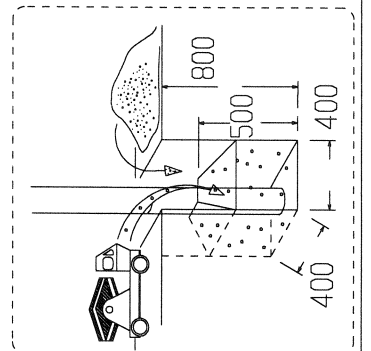
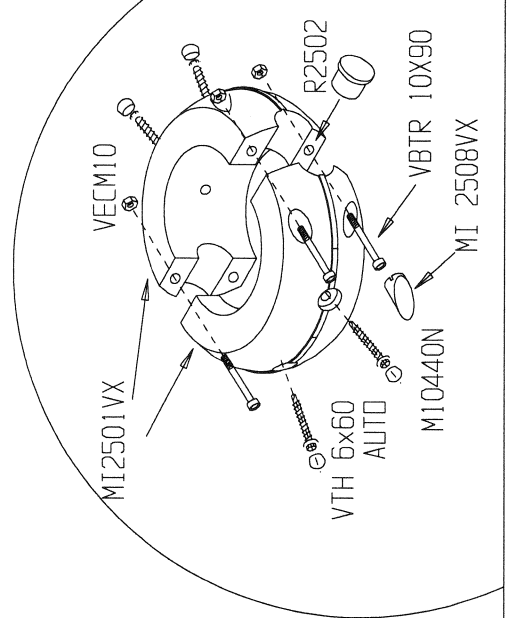


	VGC8*55I	4
	VCZX 6x25	24
	VEBM6	24
	MI2502VX	12
	VCBHC M10*30I	10
	M10310N	10
	M10440N	10
	VEFM10	10
	VTH6*60 ALUTE	12
	VECM10	12
	VBTR 10x90	12
	M10440N	12
	MI 2508VX	24
	MI2501VX	6

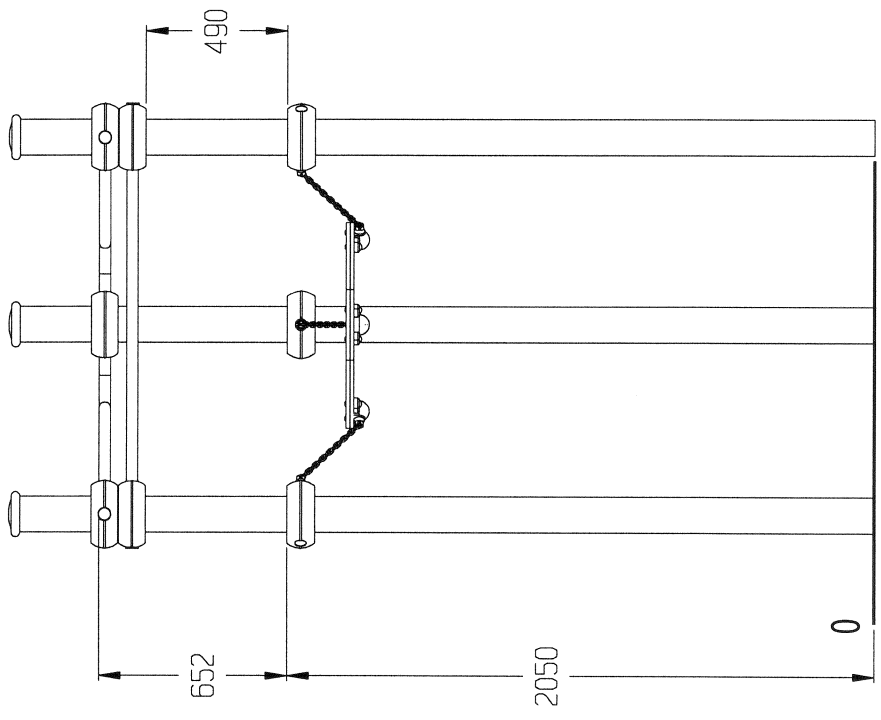
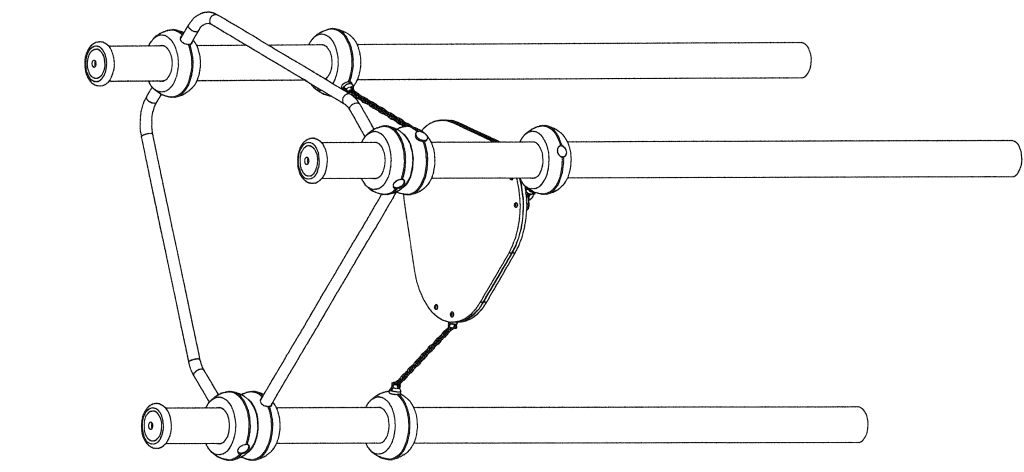


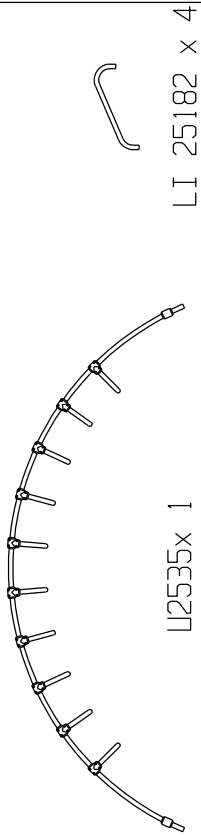
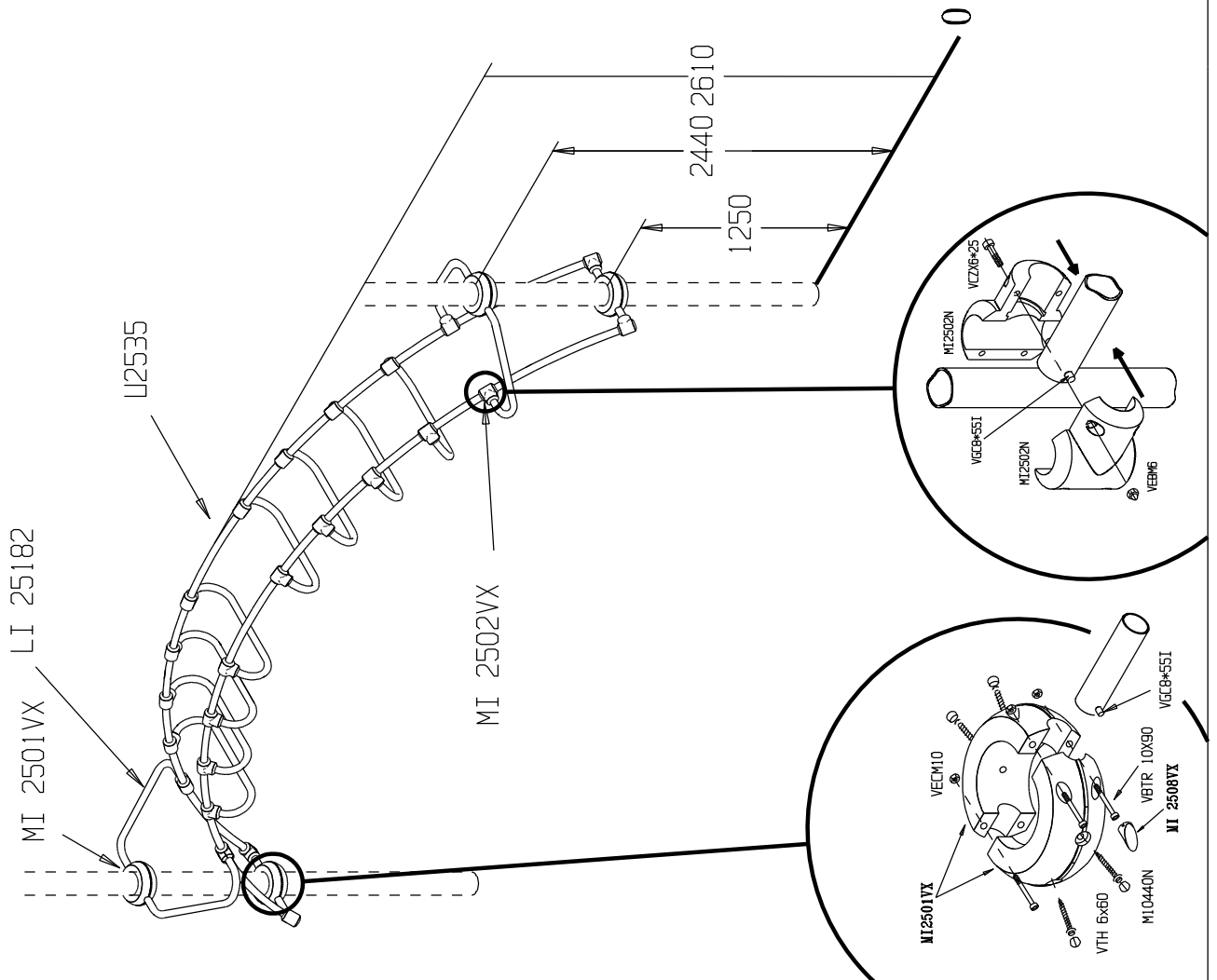


MI2501VX X 16 MI025VX X 3

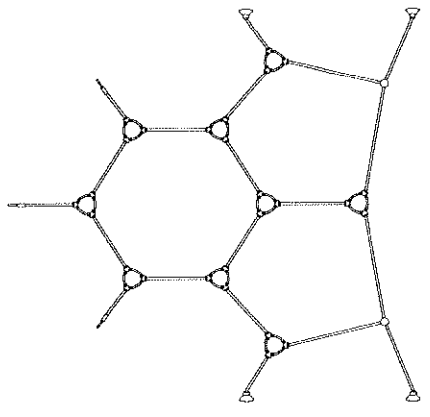
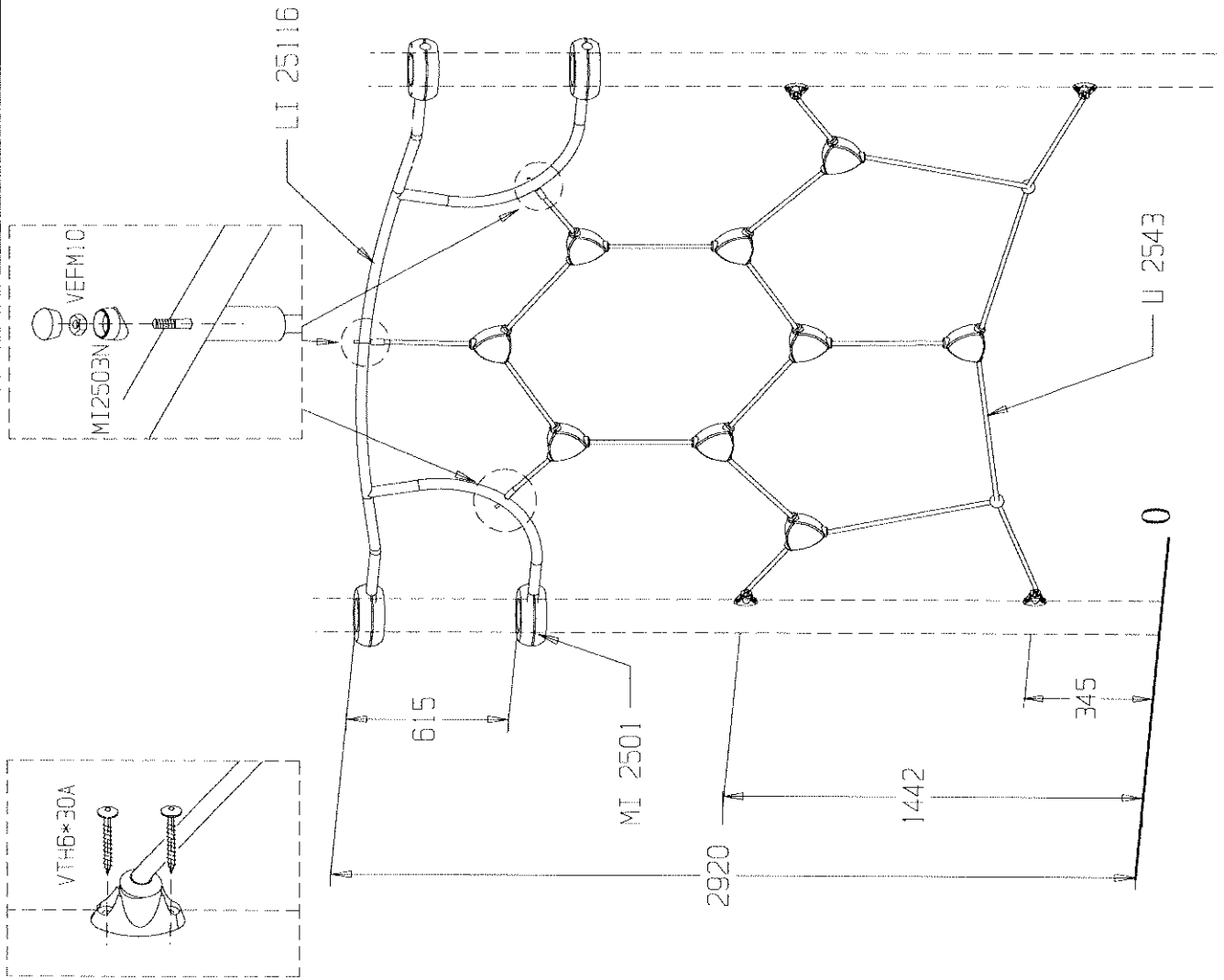


	VFHC6x40	3
	VTH6*60 AUTO	32
	VBTR 10x90	32
	M10440N	35
	R 2502	7
	MI 2508VX	64
	VECM10	32
	LG4412	3





	VECB*55I	12
	VTH6x60 AUTO	16
	VBTR 10x90	16
	VCZX 6x25	16
	MI0440N	16
	VECM10	16
	VEBM6	16
	MI 2508VX	32



U 2543 x 1

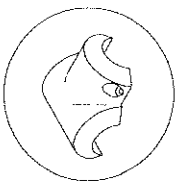
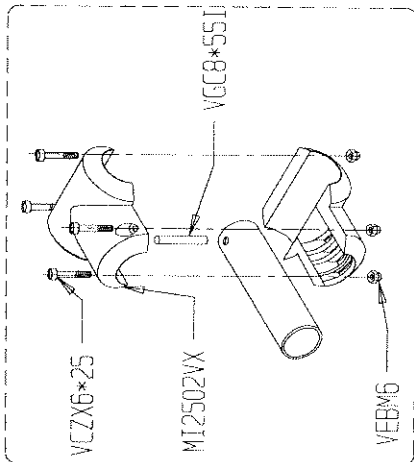


MI 2501 VX x 8



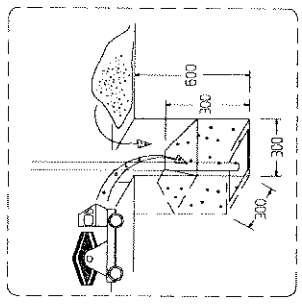
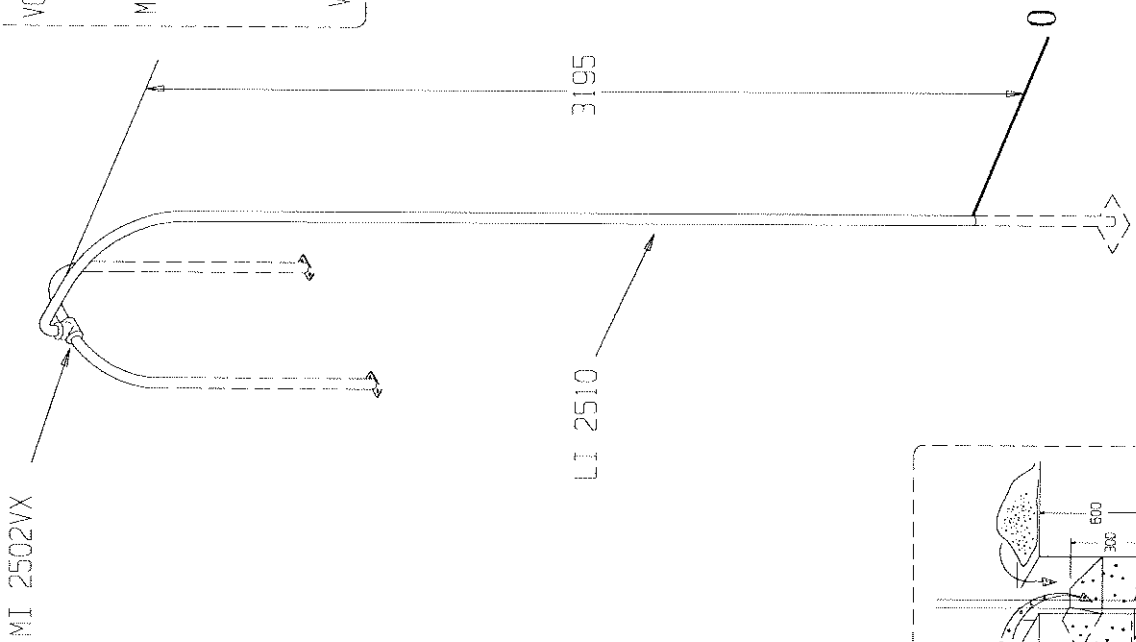
LI 25116 x 1

	VTH6*30A	8
	VBTR 10x90	16
	VTH6x60 AUTO	16
	M10440N	19
	VEFM10	16
	R 2502	4
	MI 2508VX	32
	MI2503N	3
	VEFM10	3

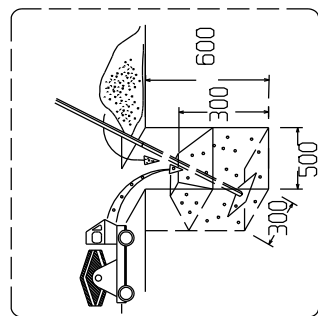
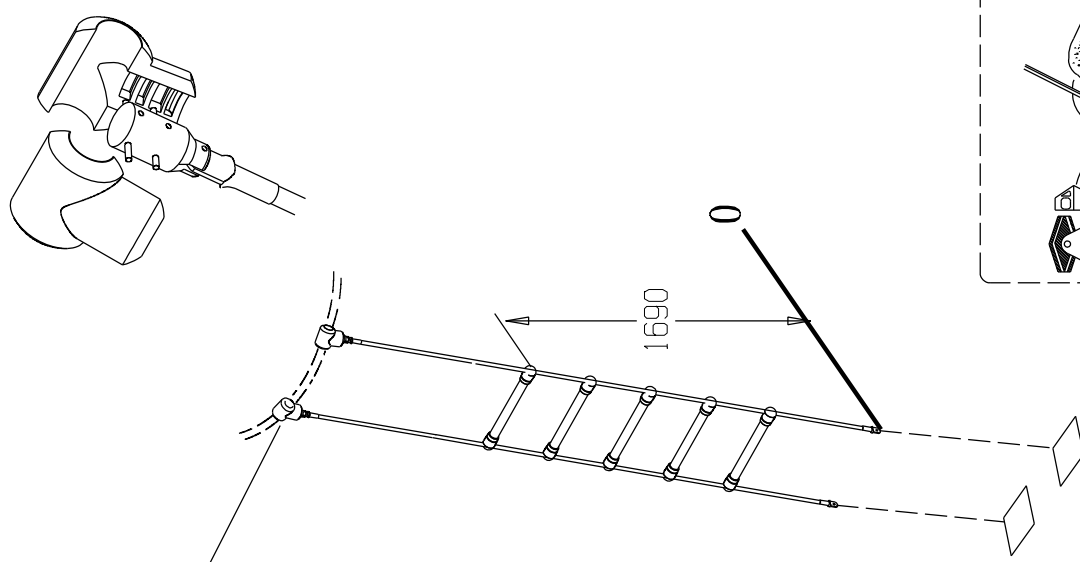
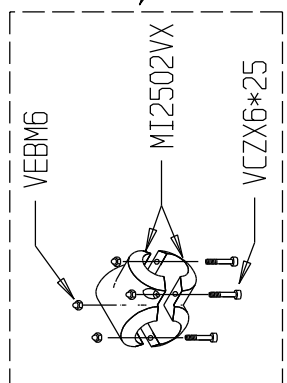


MI2502VX X 2

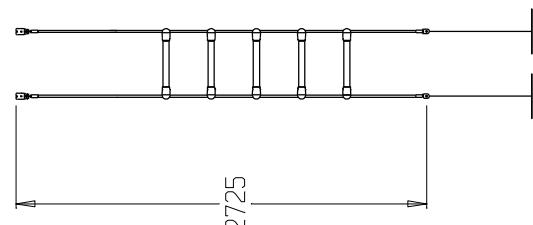
LI2510 X 1
Lg 3795



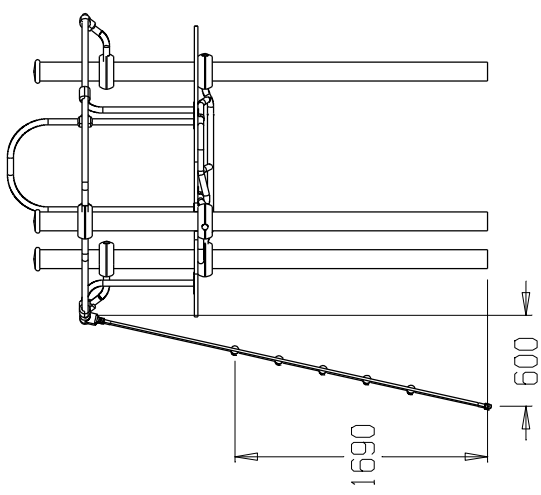
	VGB 8*55I	1
	VCZX 6x25	4
	VEBM 6	4



MI2502VX X 4



U2544x 1
Lg 2725

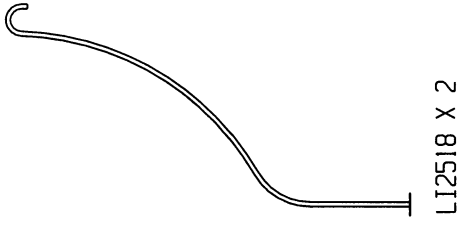
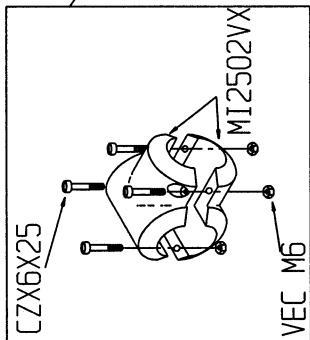


	VCZX 6x25	8
	VEBM6	8

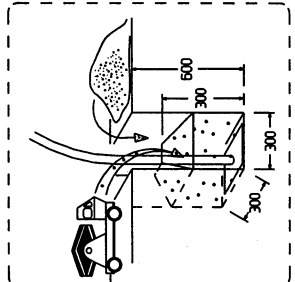
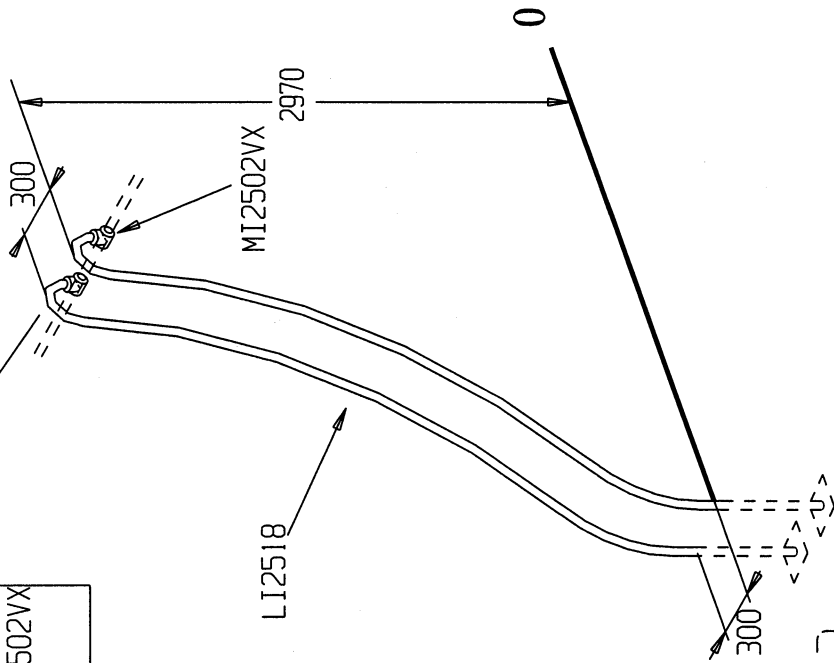
G 2527

Provaldic

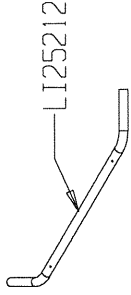
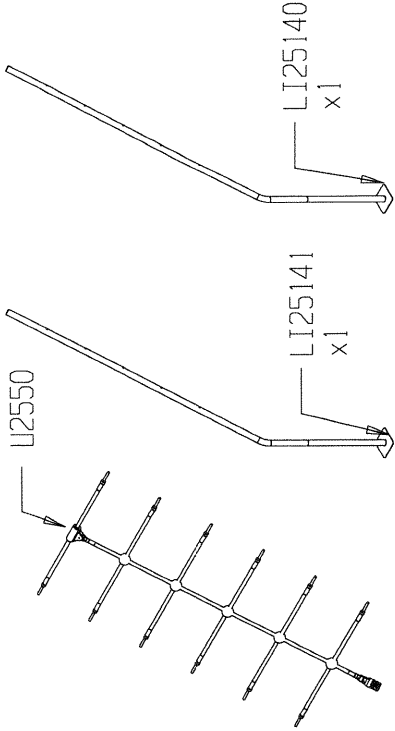
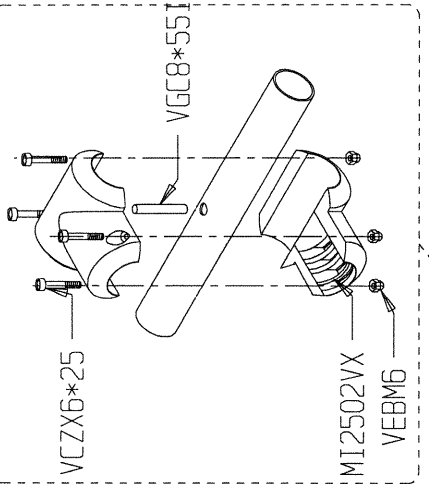
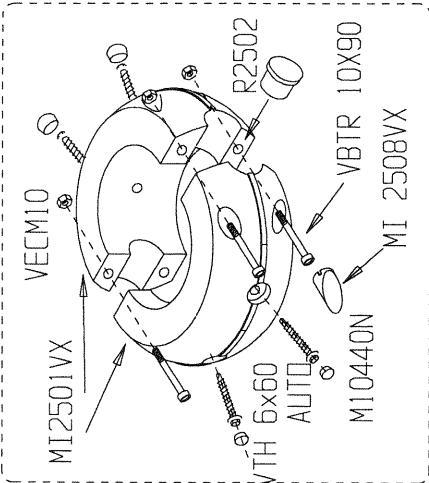
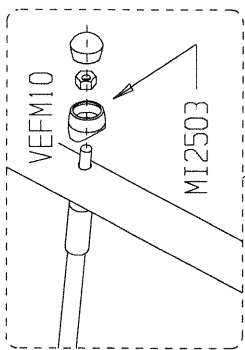
17-11-98



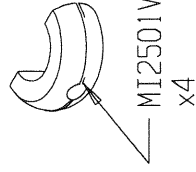
MI2502VX X 4



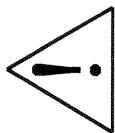
⊕	VECM6	8
⊕	VCZX 6x25	8



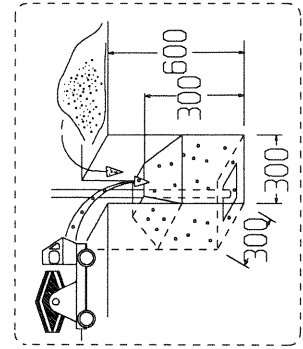
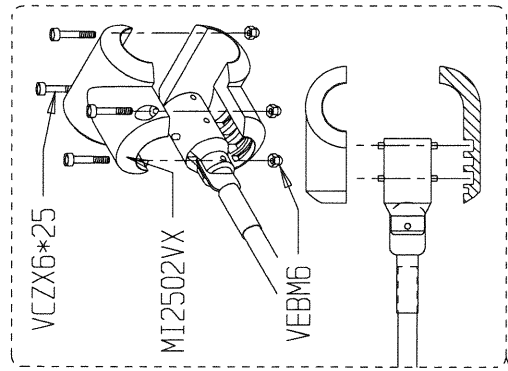
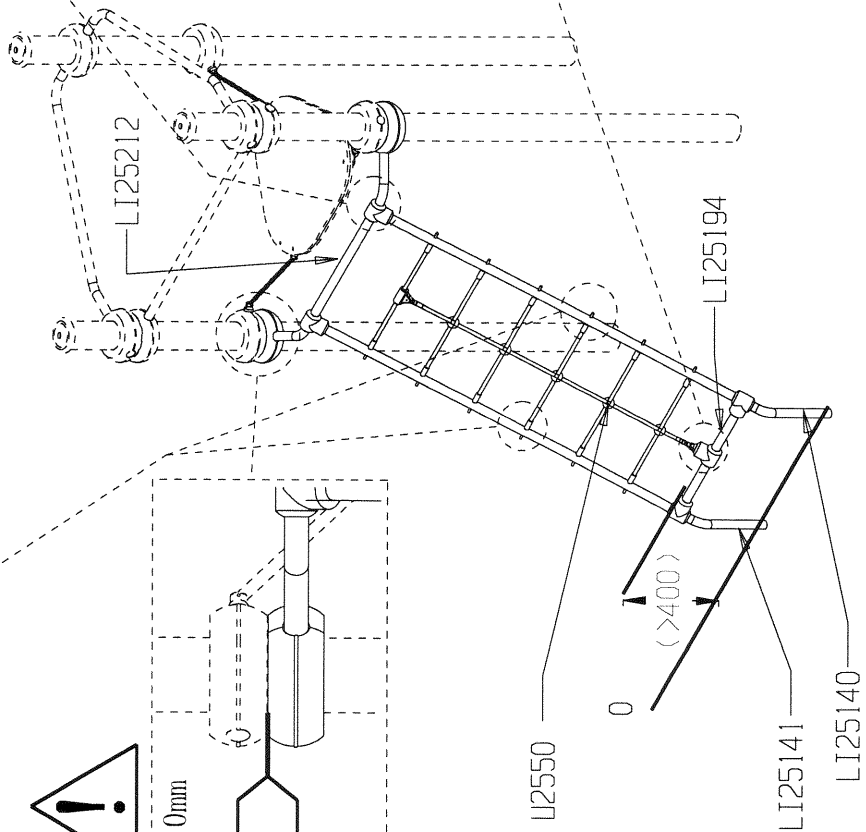
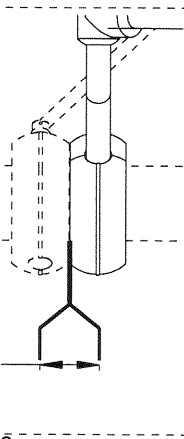
MI2502VX x 10



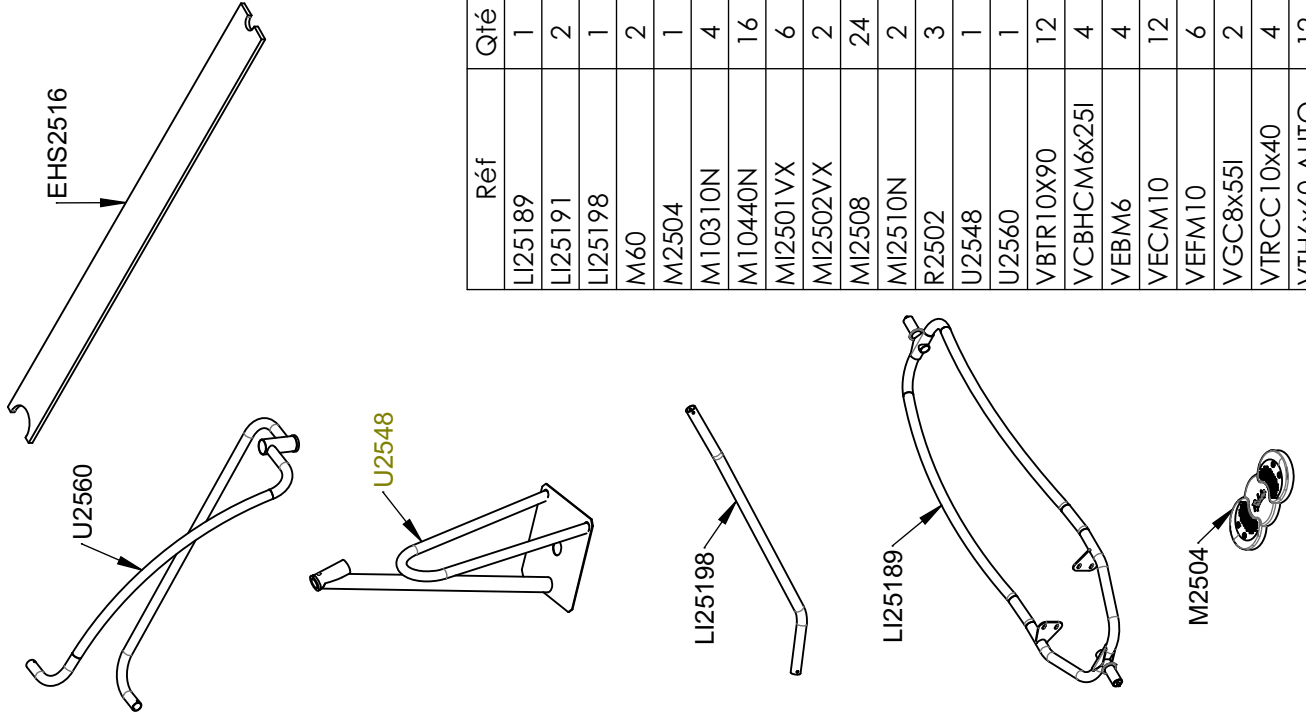
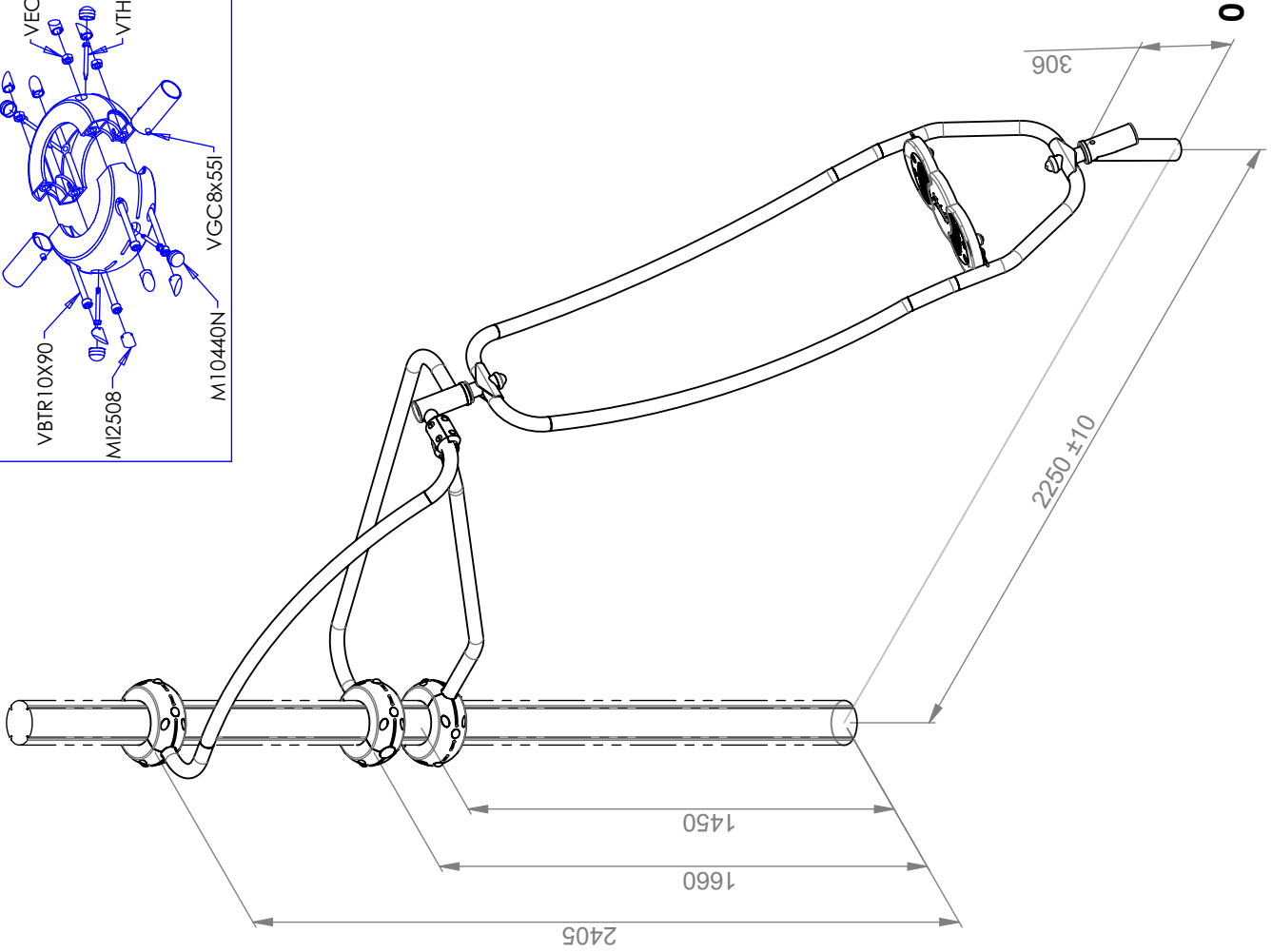
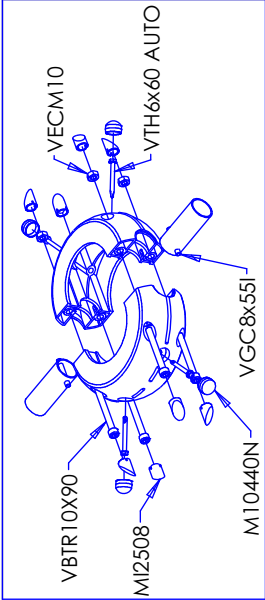
MI2501VX x4



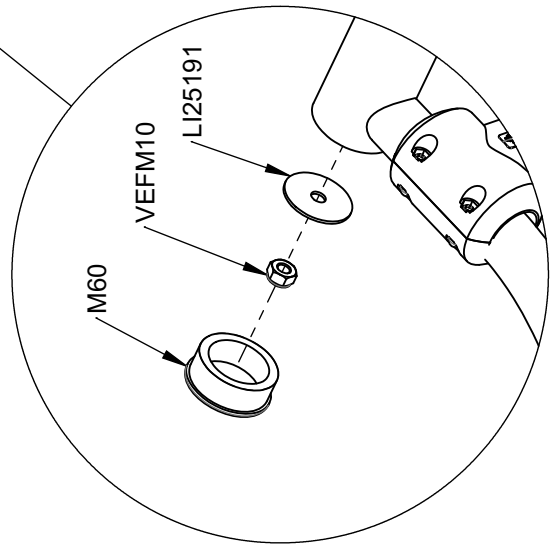
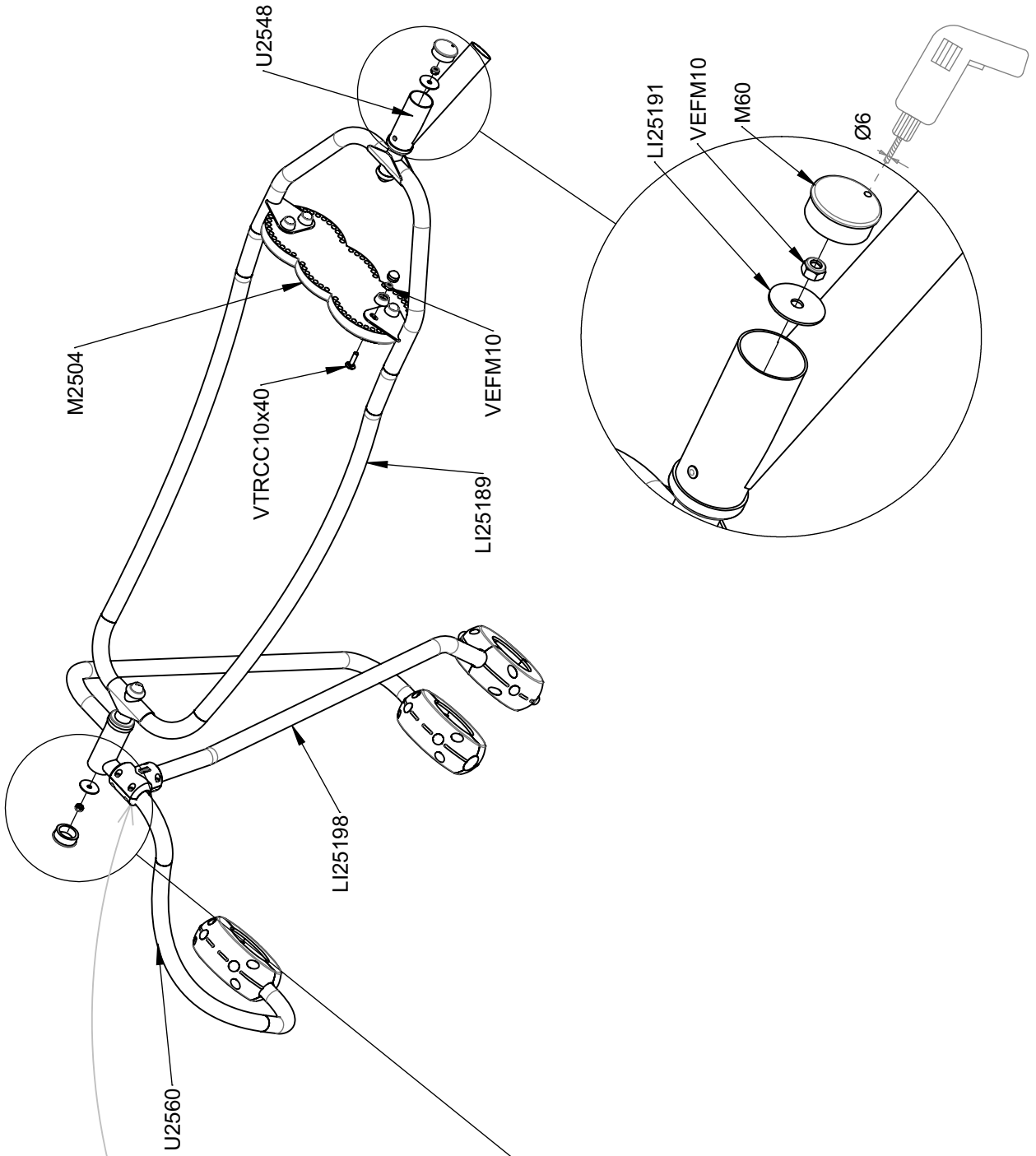
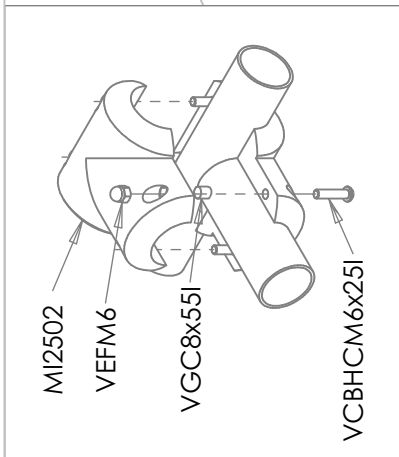
X = 0mm



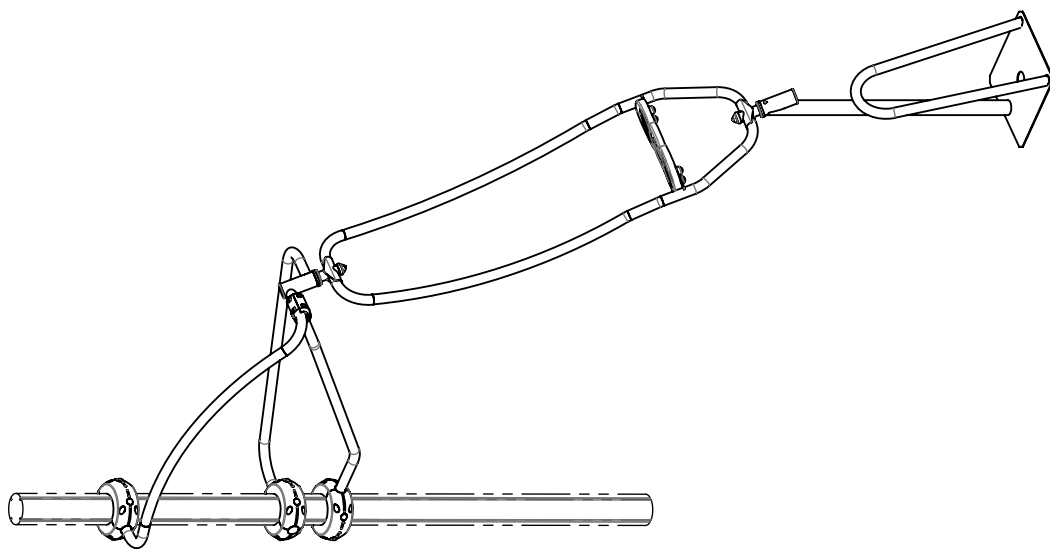
	R 2502	2
	VTH 6x60 AUTO	8
	VECM10	8
	VBTR 10x90	8
	M10440 N	8
	MI 2508VX	16
	VGC8*55I	2
	VCZX 6x25	20
	VEBM6	20
	M10440 N	12
	MI2503 N	12
	VEFM10	12



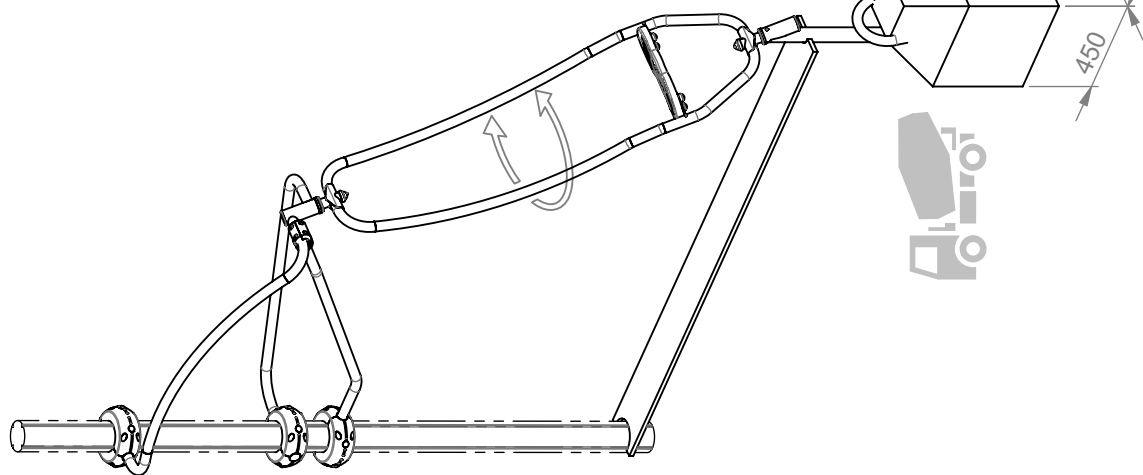
Réf	Qté
L125189	1
L125191	2
L125198	1
M60	2
M2504	1
M10310N	4
M10440N	16
M12501VX	6
M12502VX	2
M12508	24
M12510N	2
R2502	3
U2548	1
U2560	1
VBTR10X90	12
VCBHC6x25I	4
VEBM6	4
VECM10	12
VEFM10	6
VGC8x55I	2
VTRCC10x40	4
VTH6x60 AUTO	12



①



②



③

