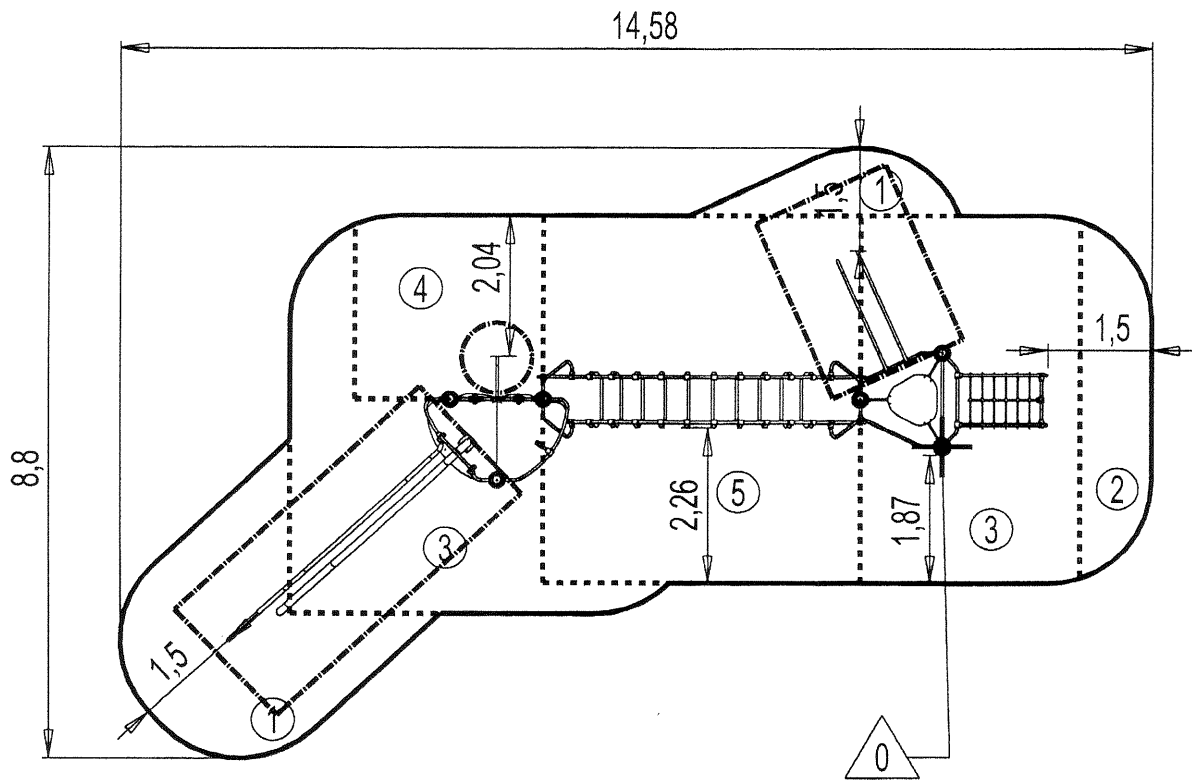


N°		
①	0.6 m	12 m ²
②	1 m	5 m ²
③	1.95 m	30 m ²
④	2.2 m	7 m ²
⑤	2.4 m	24 m ²

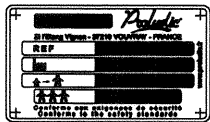
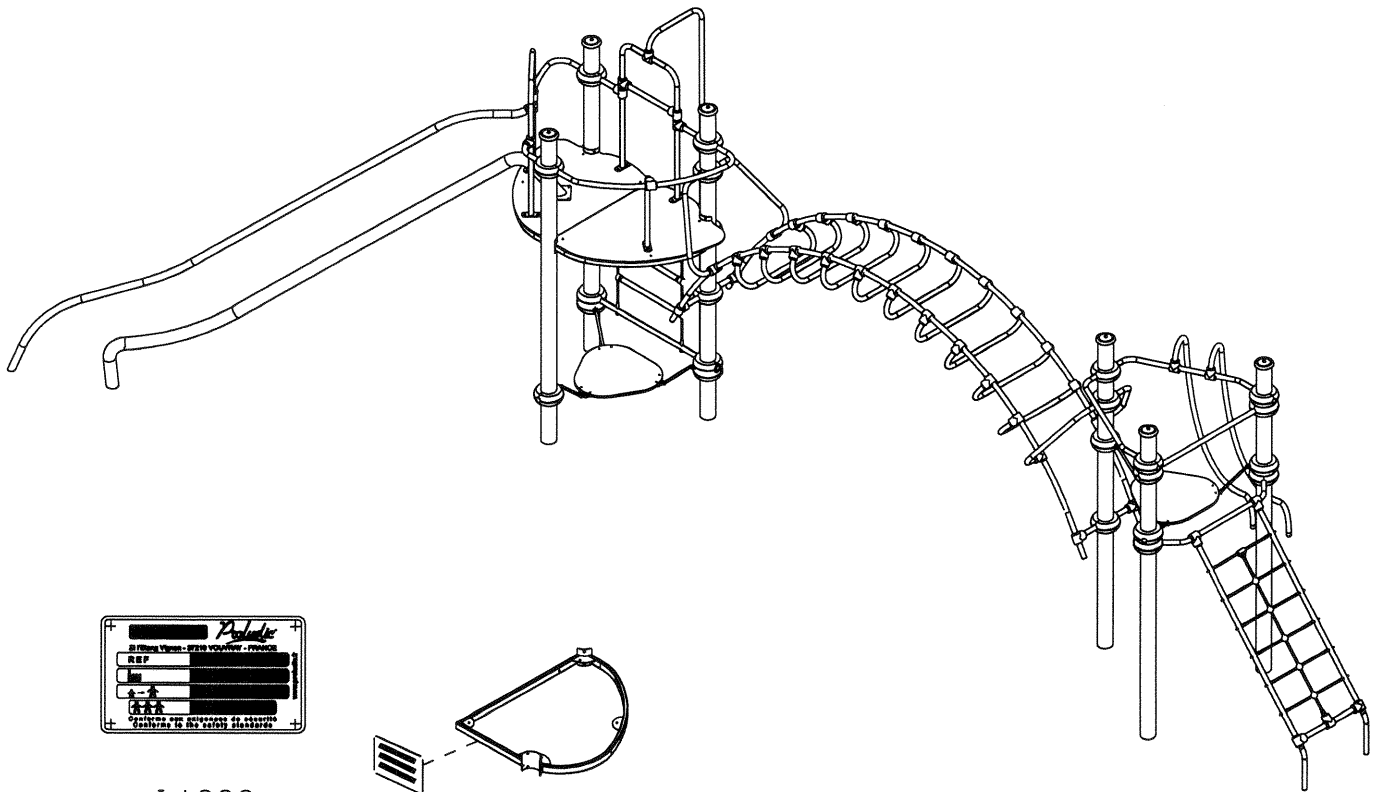
— Zone d'Impact
Impact Area
Area de Impacto
Fallraum
Valzone

EN1176-1 : 2017

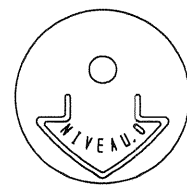
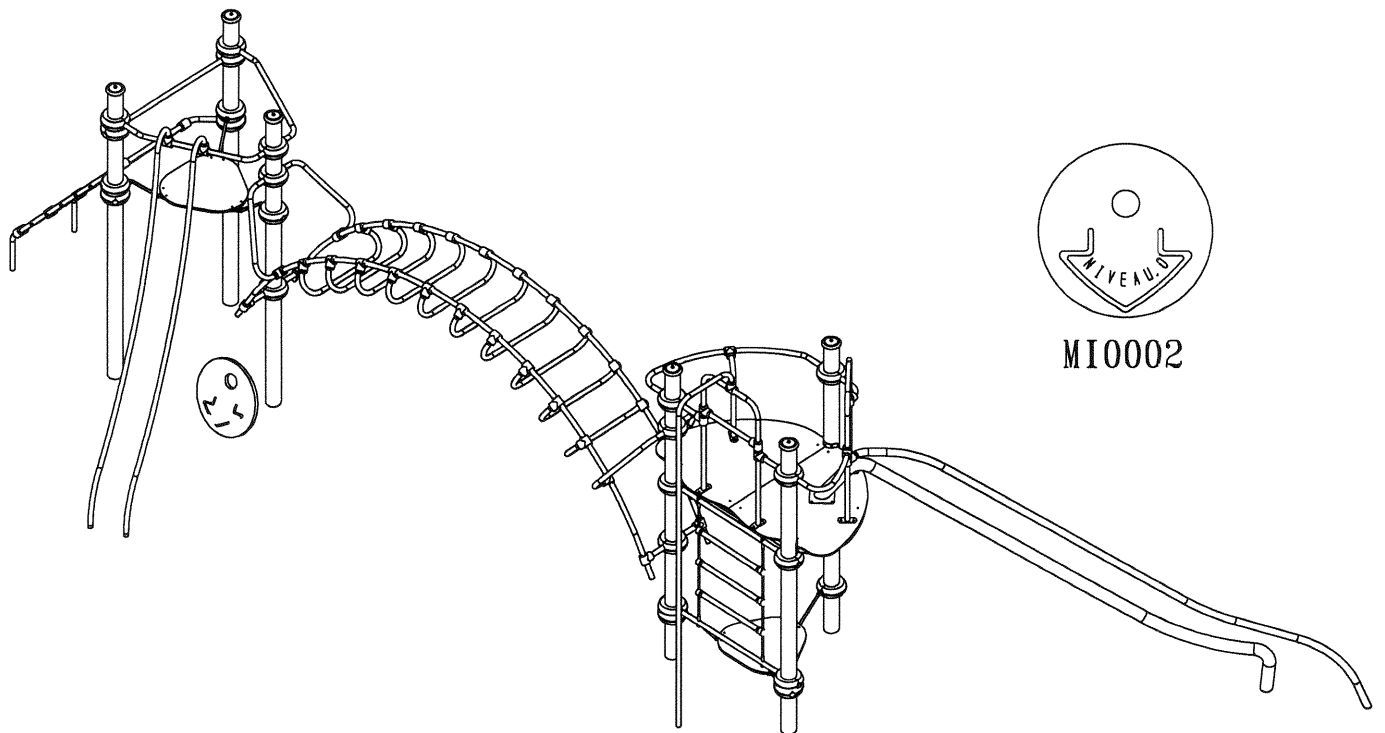
- - - Espace libre
Free Space
Espacio Libre
Freiraum
Vrije ruimte



Point de Référence
Setting Out Point
Punto de referencia
Bezugspunkt
Referentiepunt

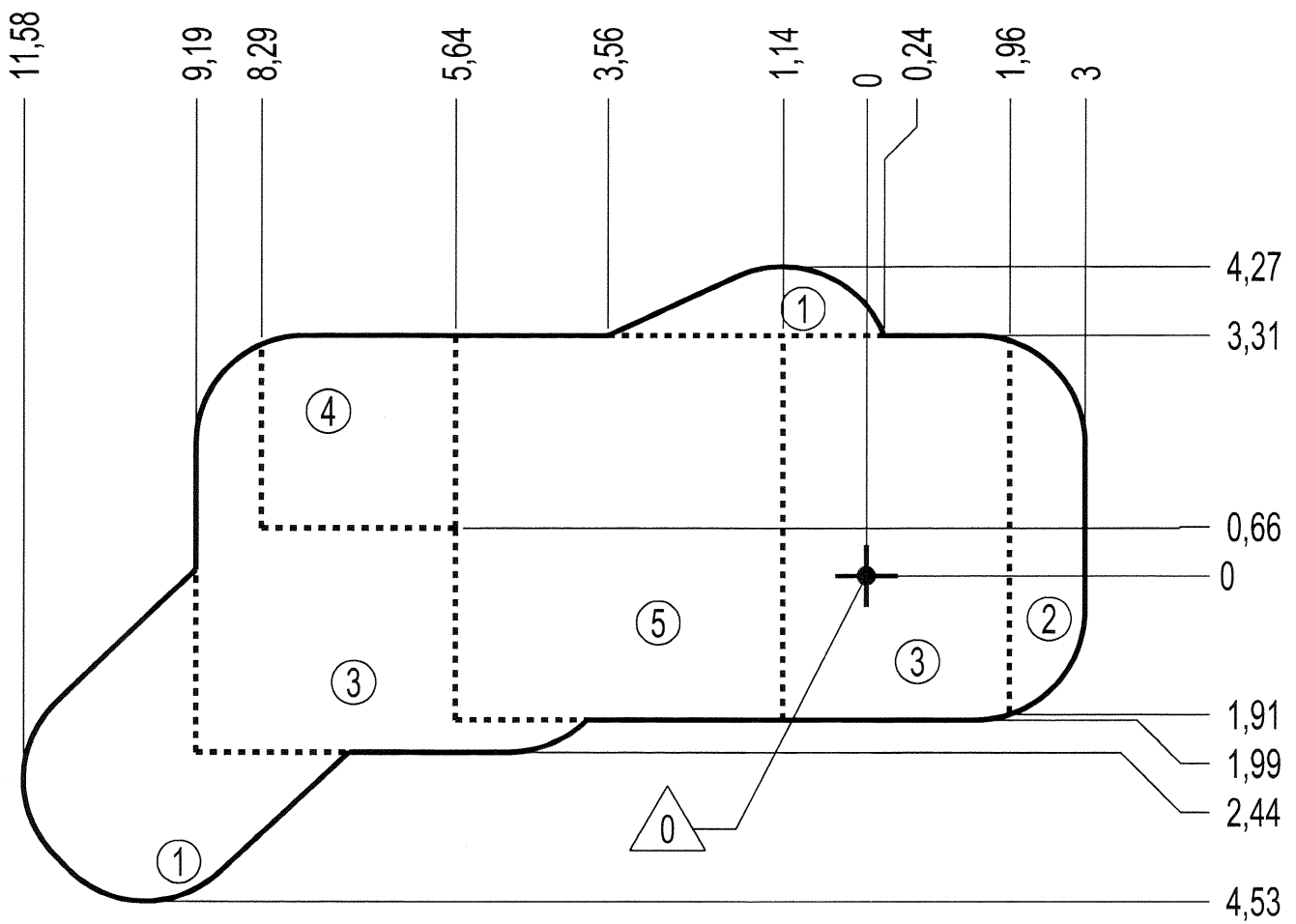


LA000

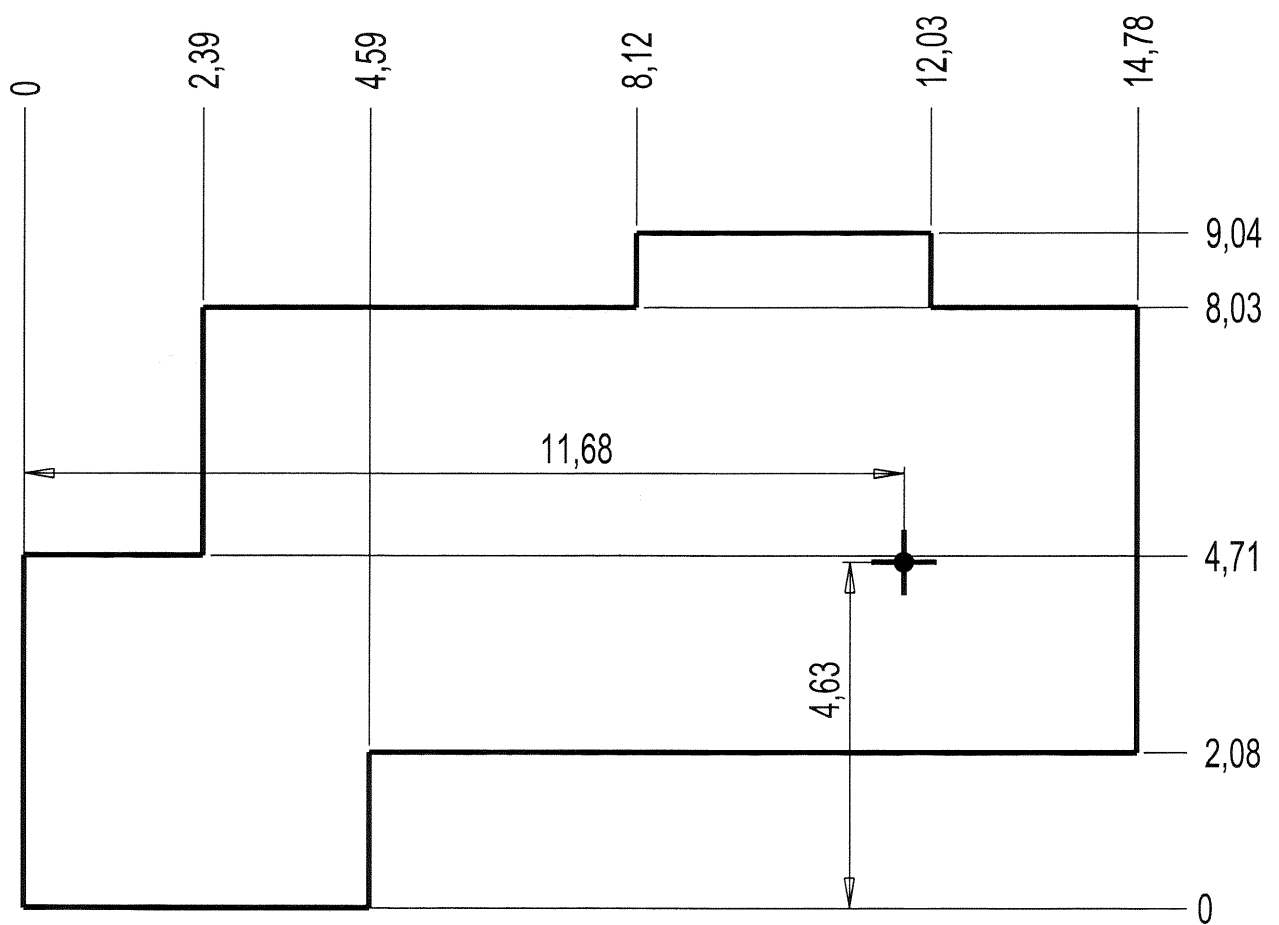


MI0002

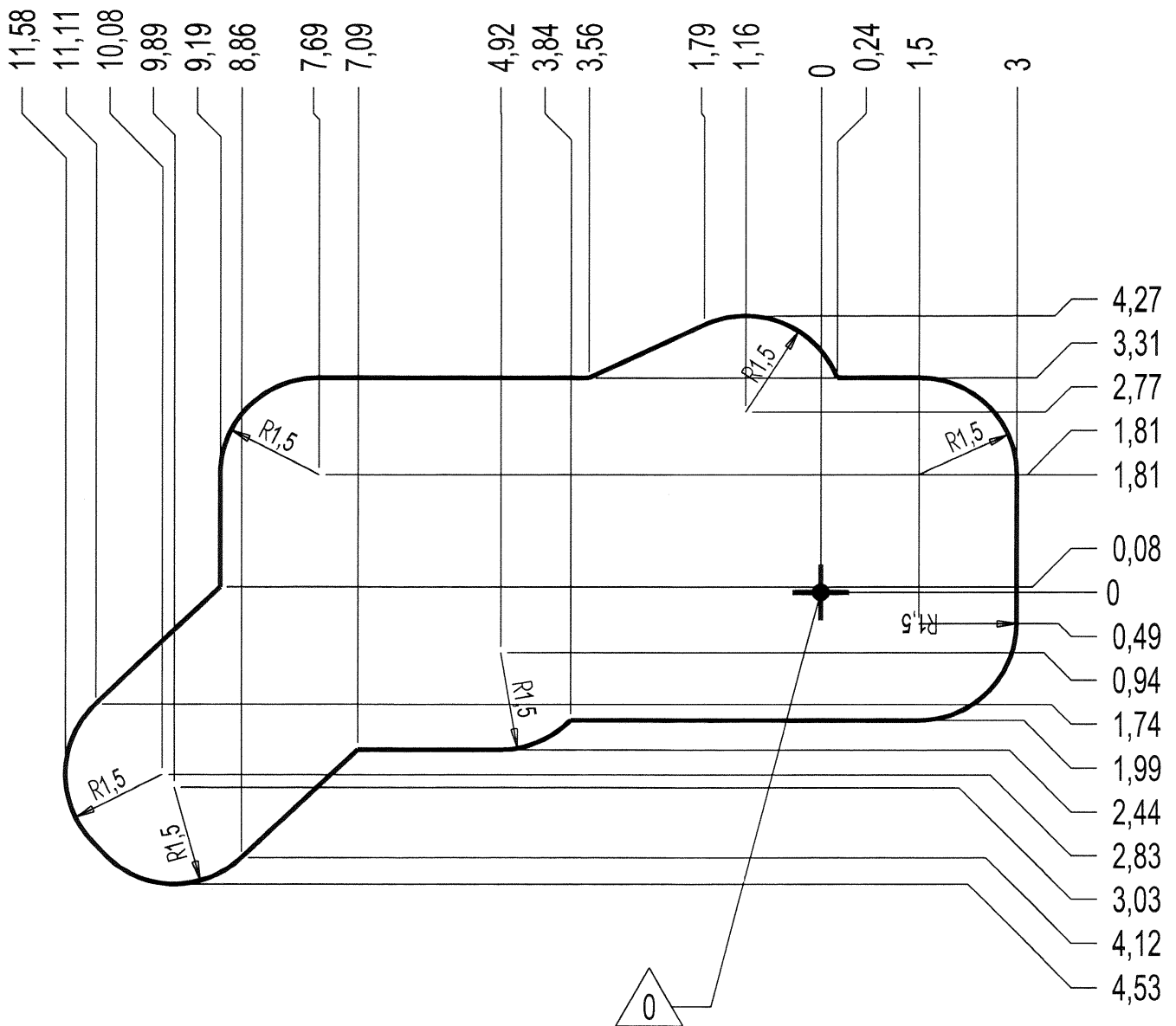
- Sol souple 78 m²
- Wetpour
- Caucho Continuo
- Synthetischer Fallschutz
- Gietvloer



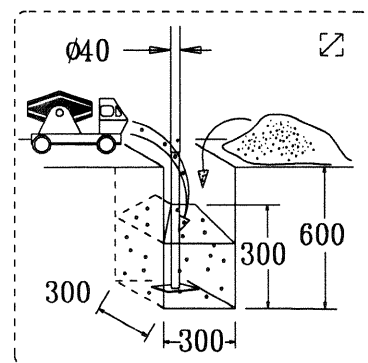
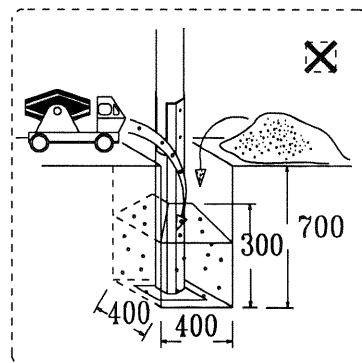
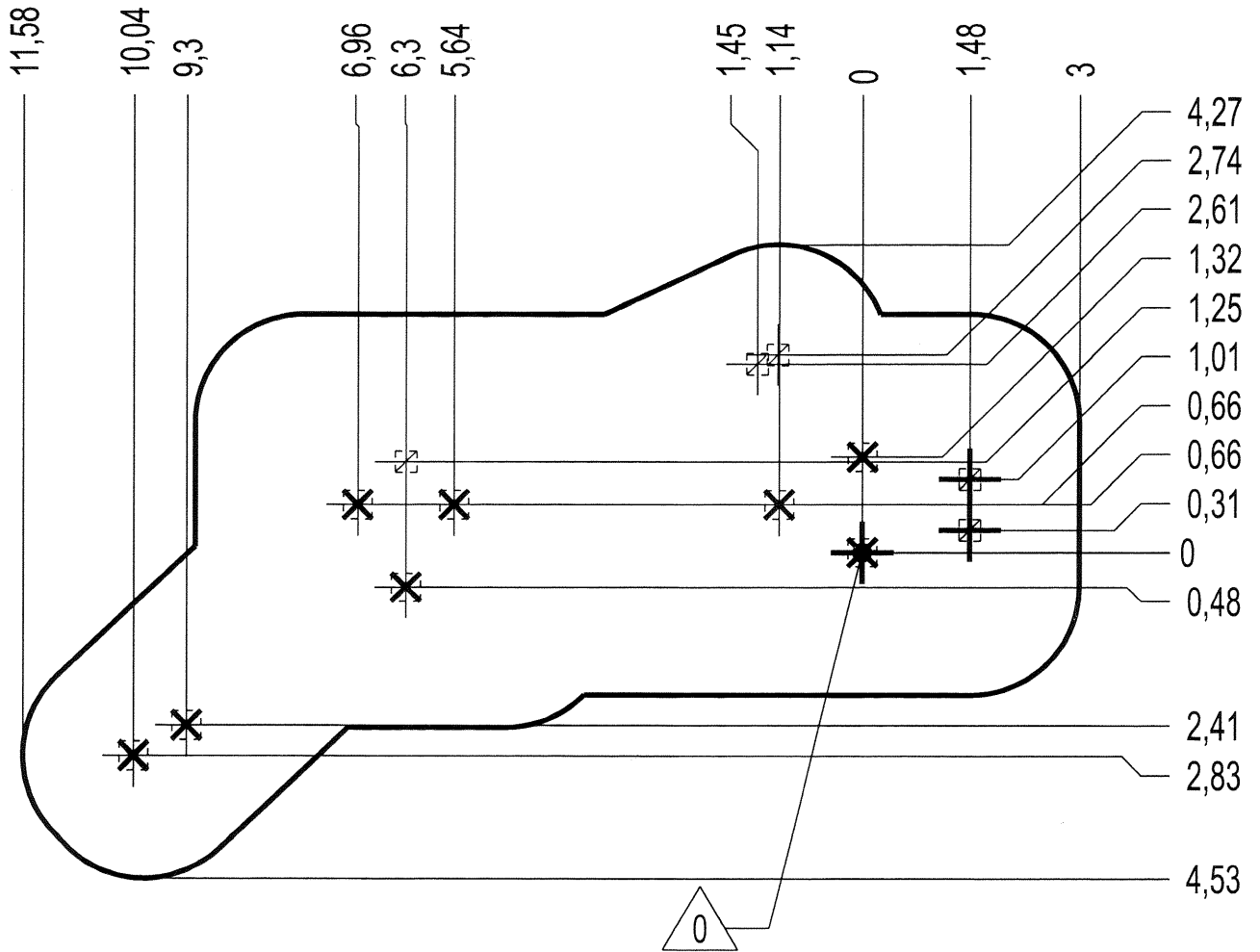
— Sol fluent 48 m
 Loose particle material 94 m²
 Arenero
 Loses Bodenmaterial
 Los bodenmaterial






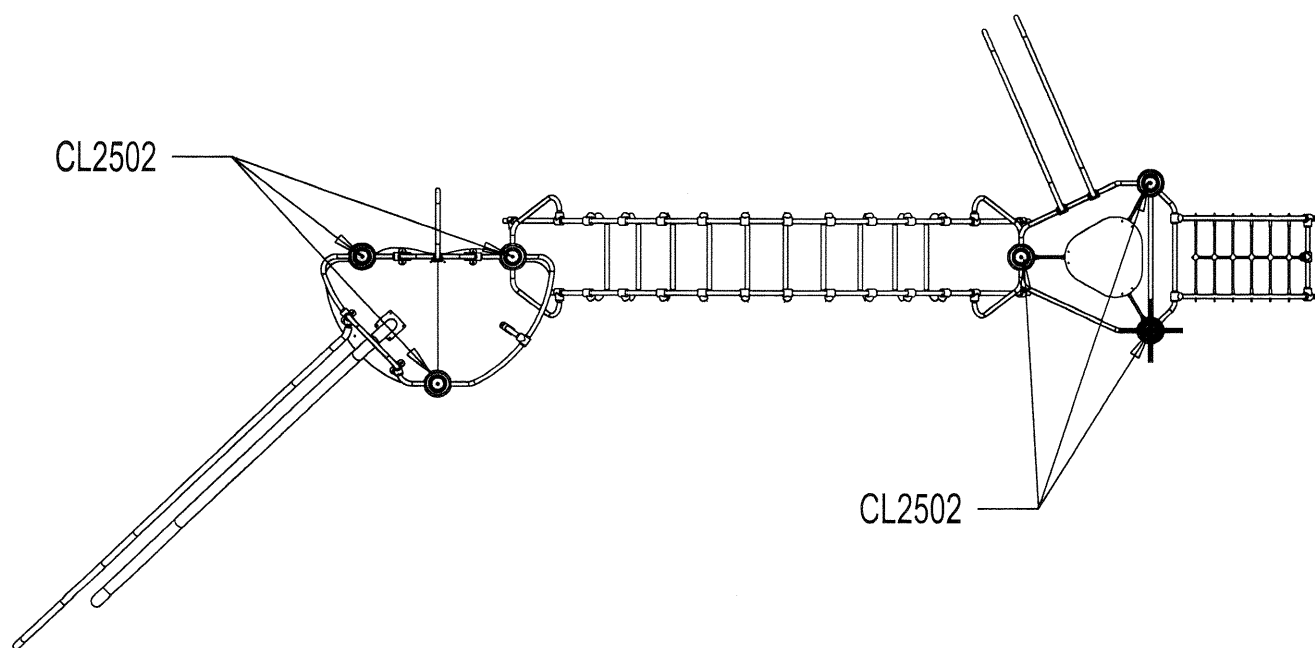
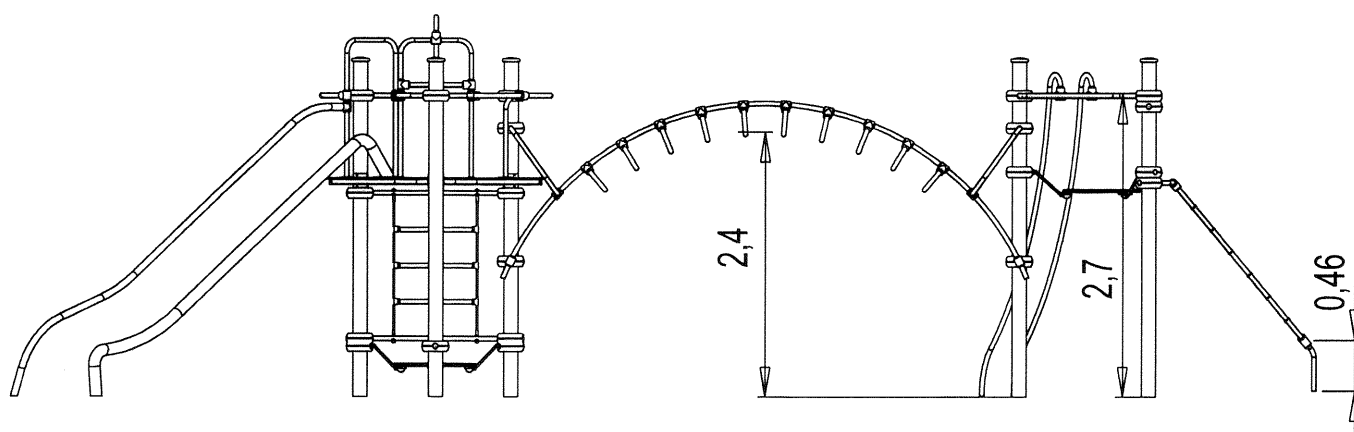
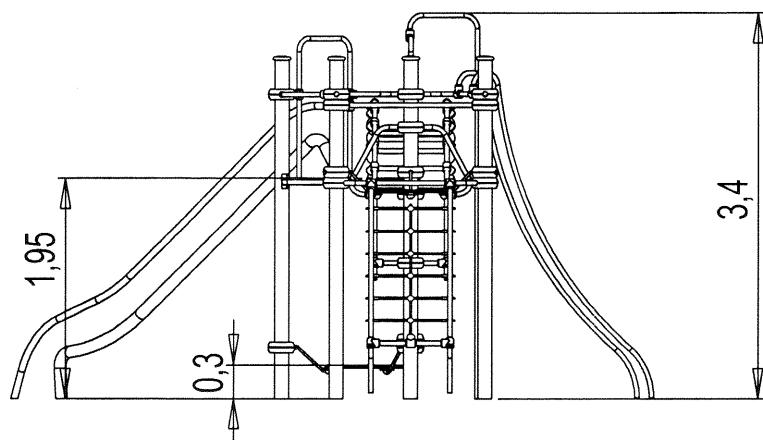
— Zone d'Impact 78 m²
 Impact Area
 Area de Impacto
 Fallraum
 Valzone



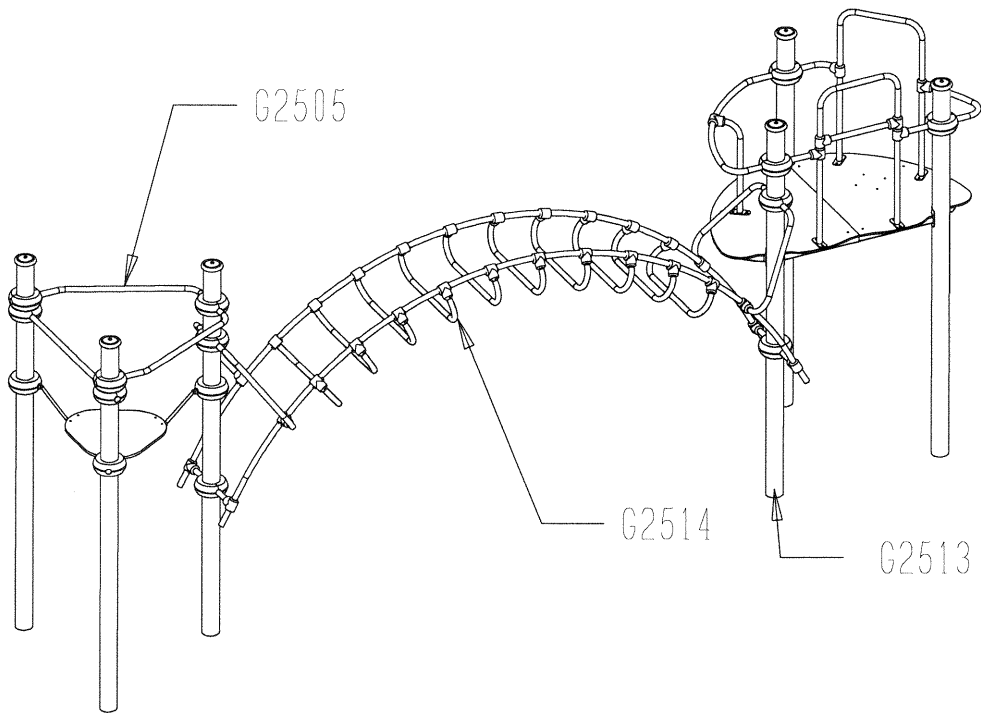
Implantation
 Footing plan
 Implantación
 Fundamentplan
 Funderingstekening



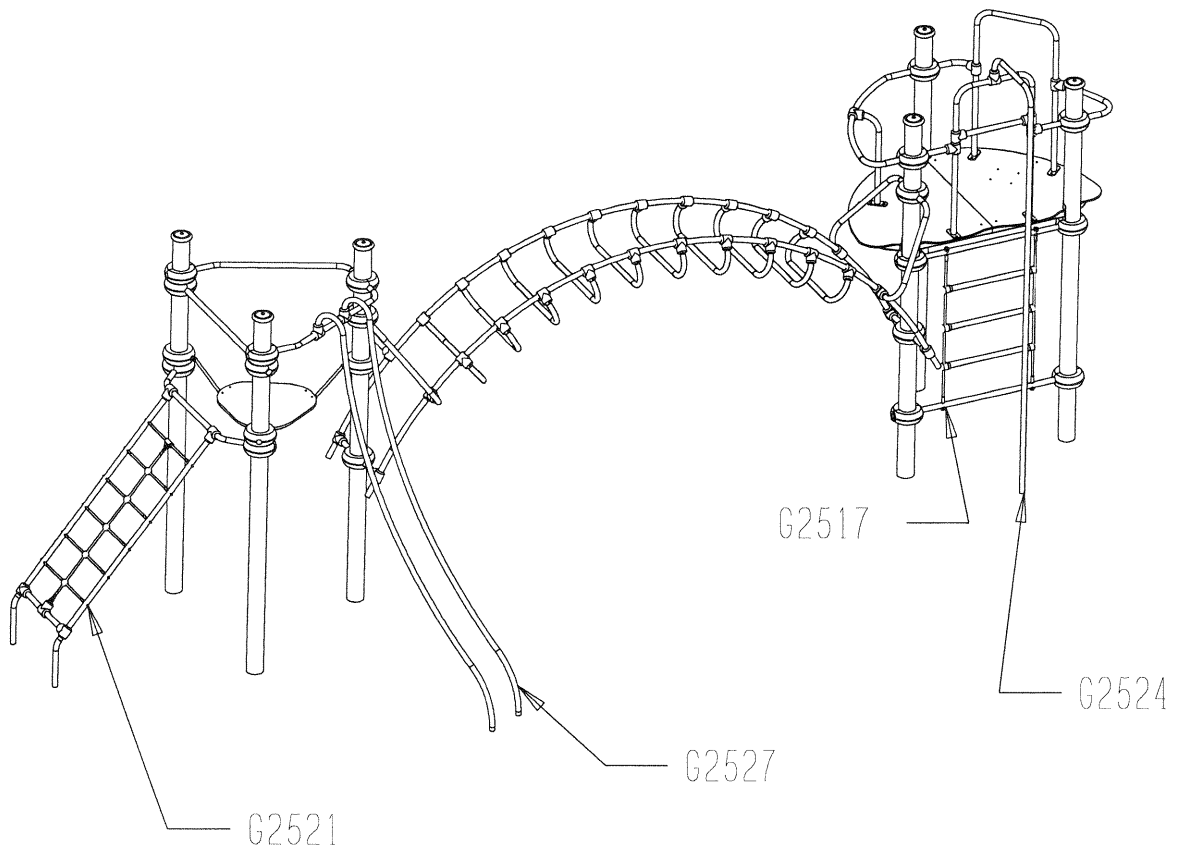
 x2	 18H45	 0.6 m ³
---	---	--



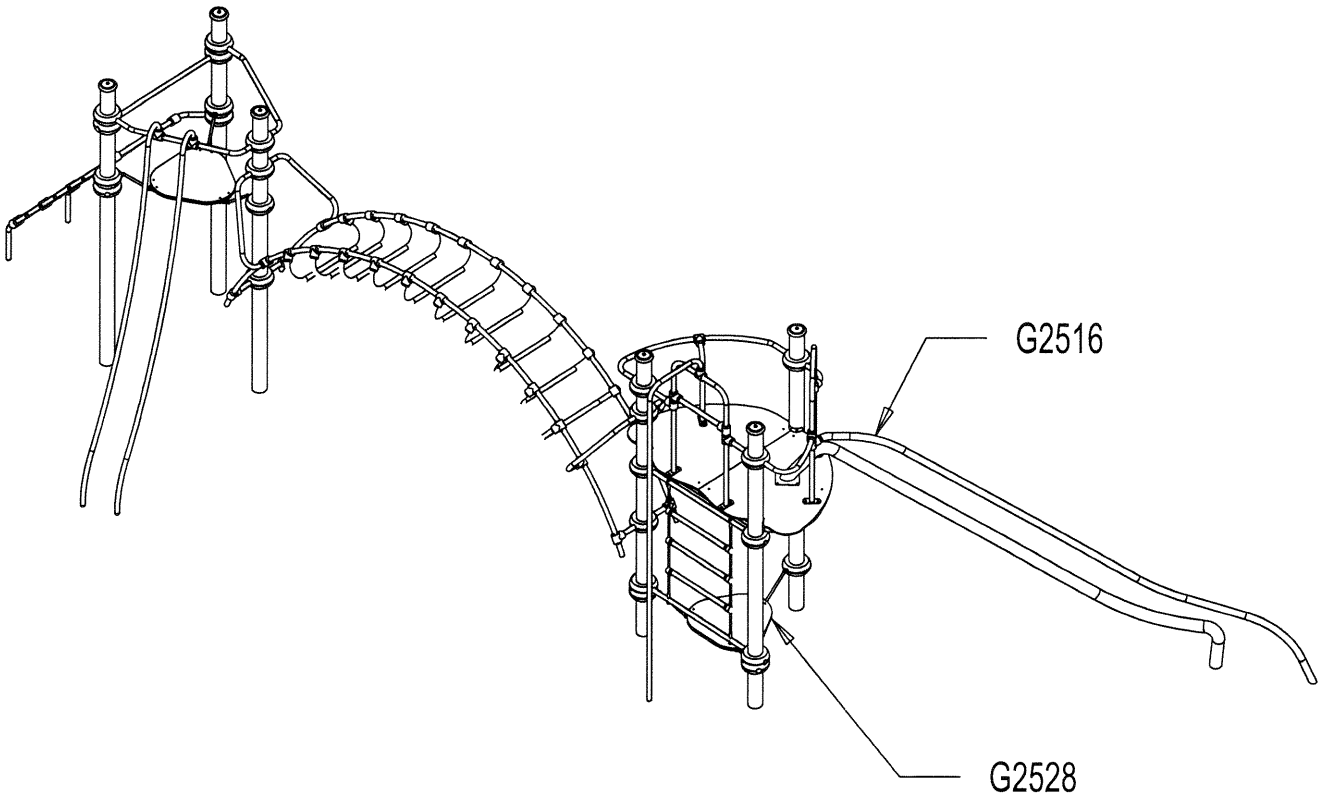
1

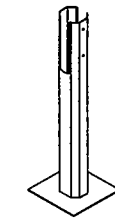
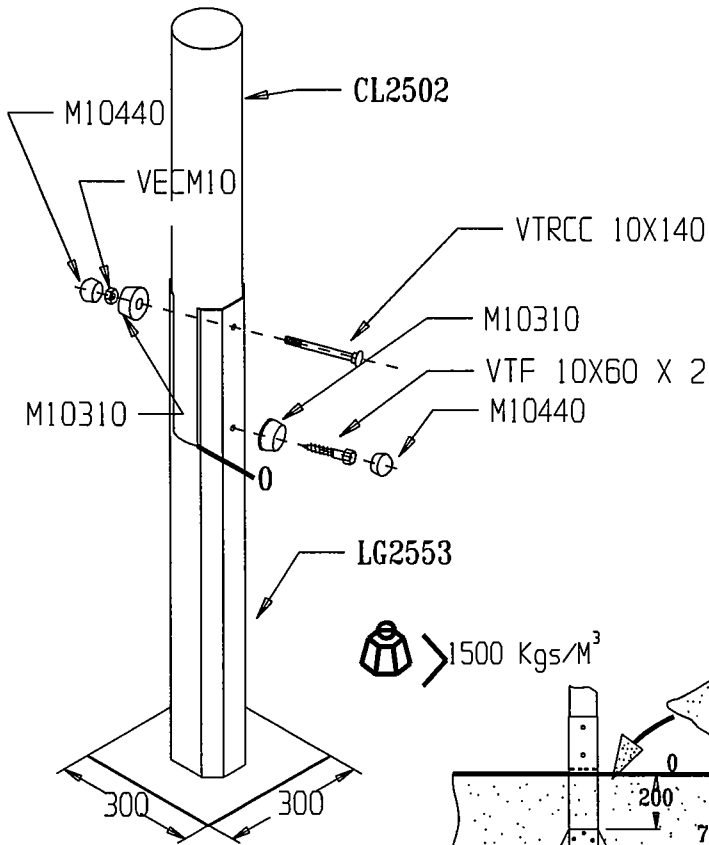


2



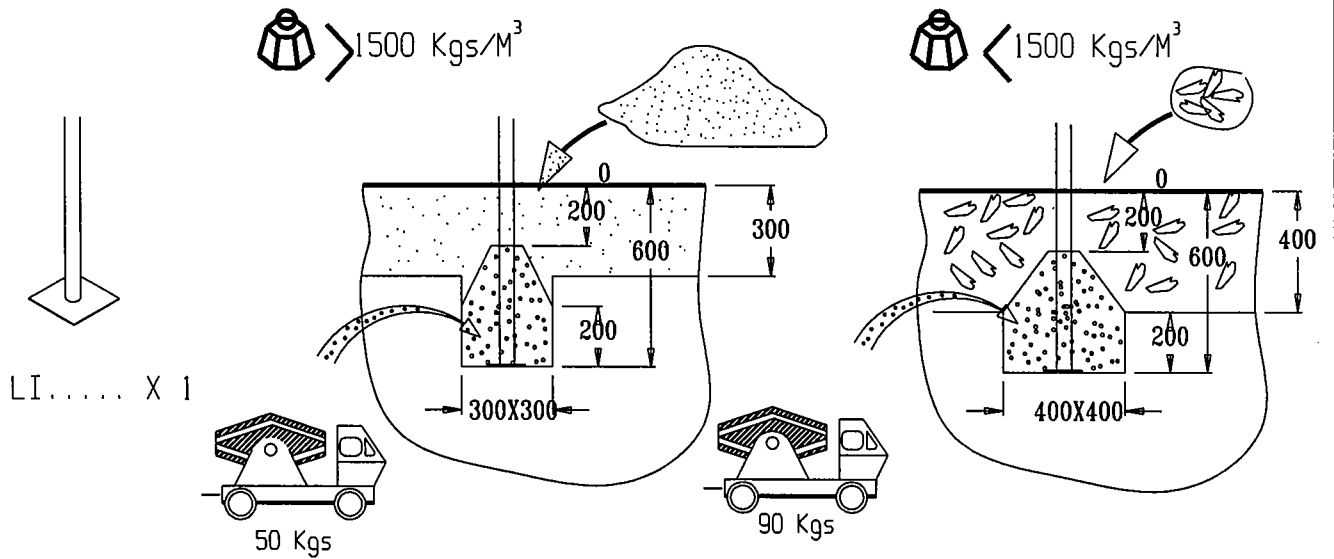
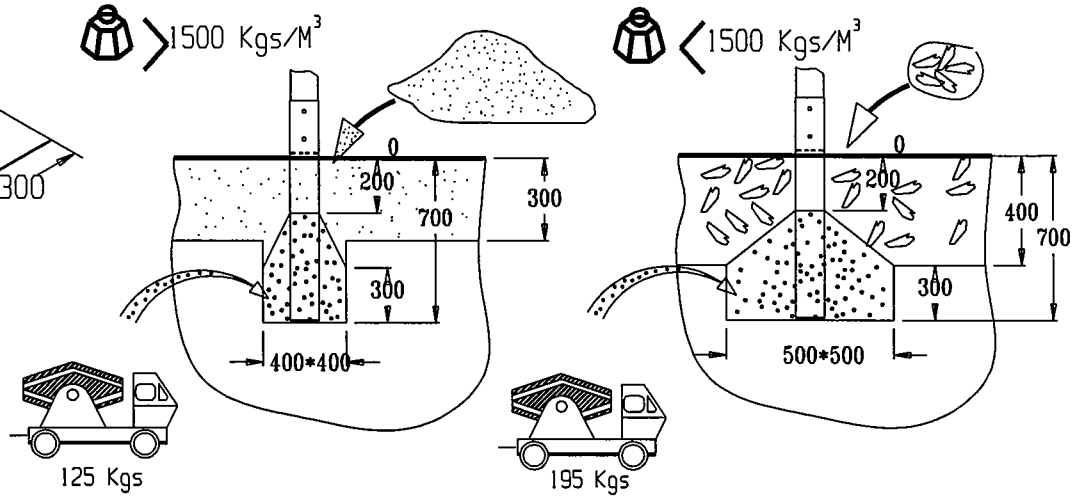
3



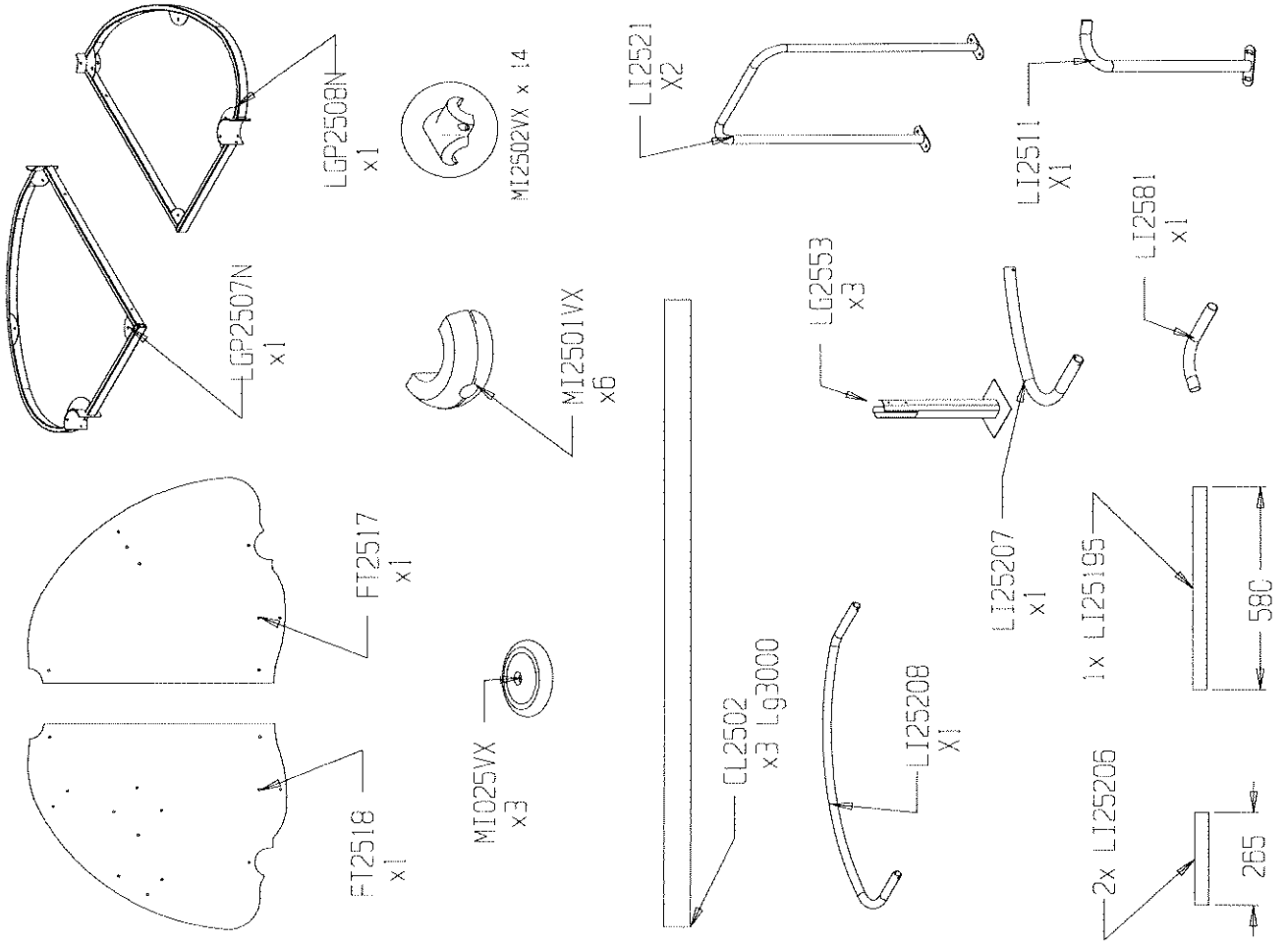
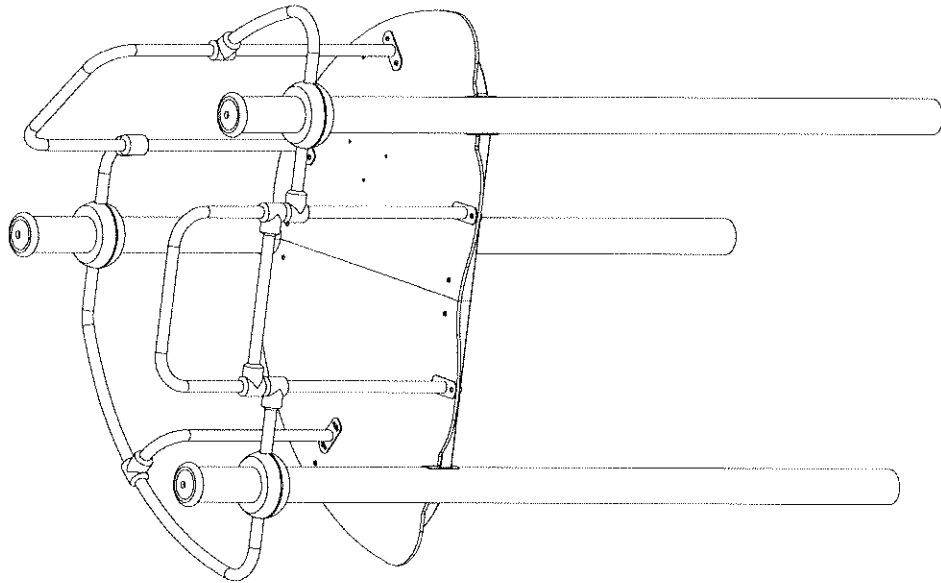


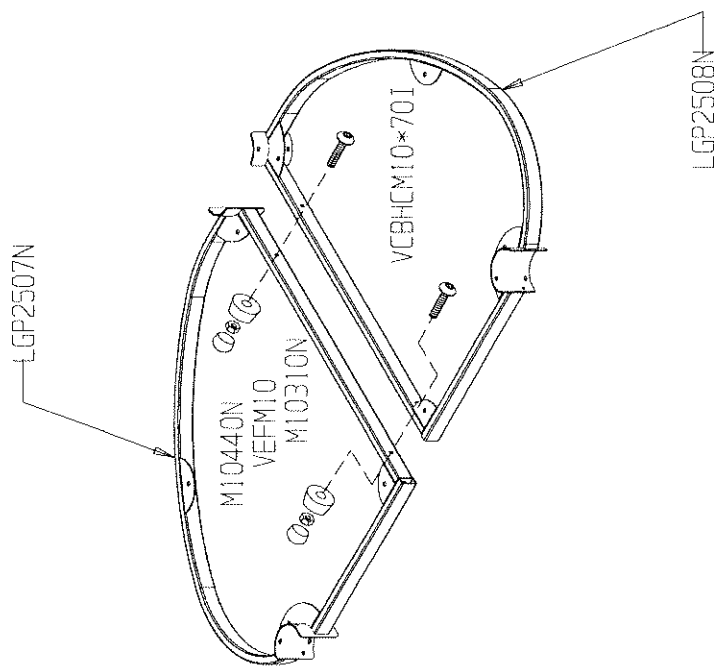
LG2553 X 1



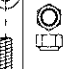
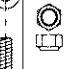
	VTRCC 10x140	1
	VECM10	1
	VTF 10x60	2
	M10310	3
	M10440	3

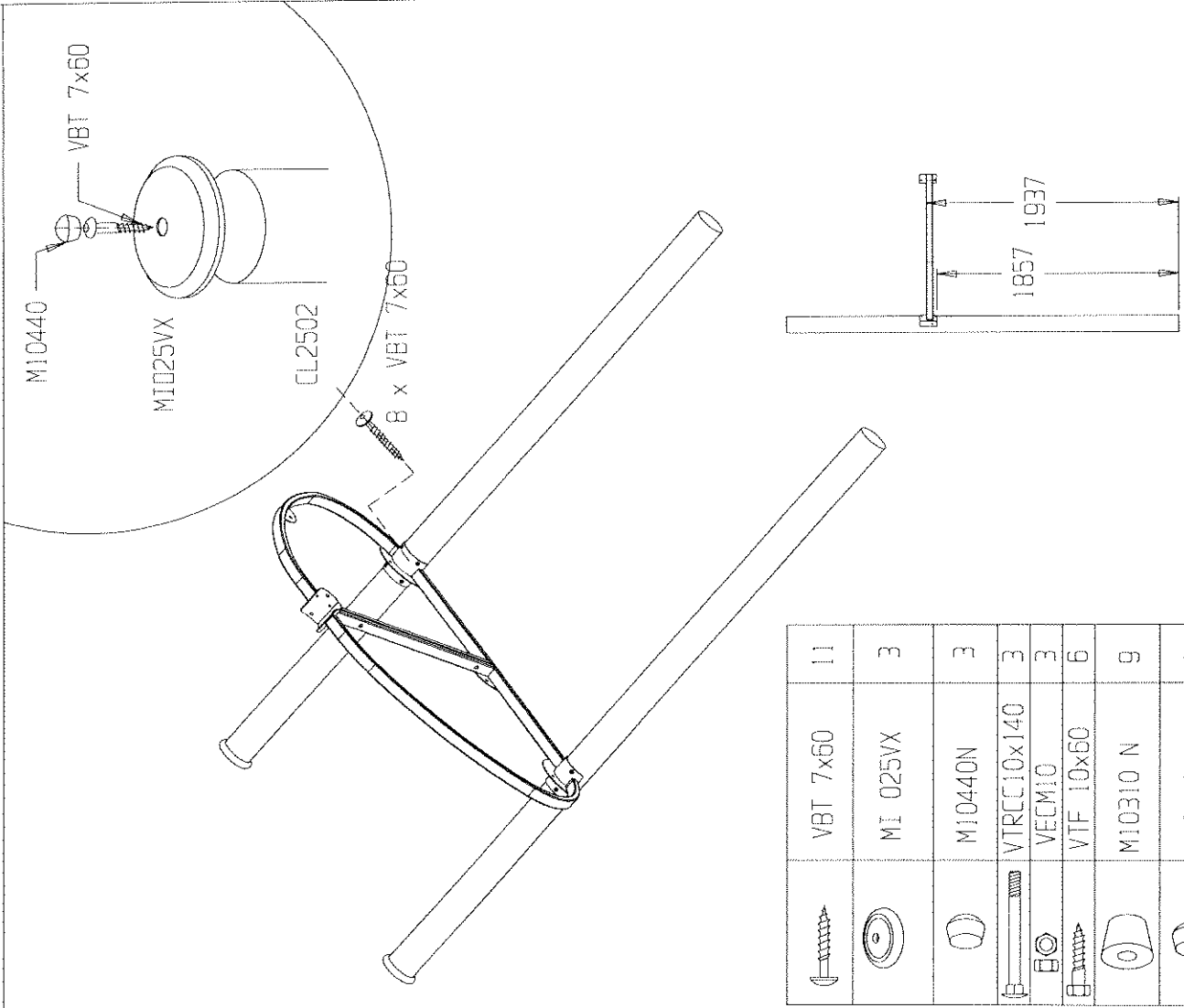





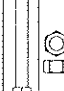
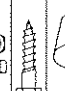



LI..... X 1

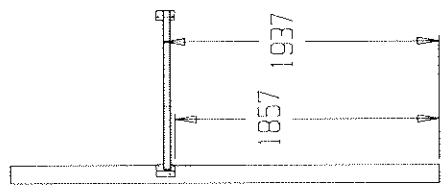


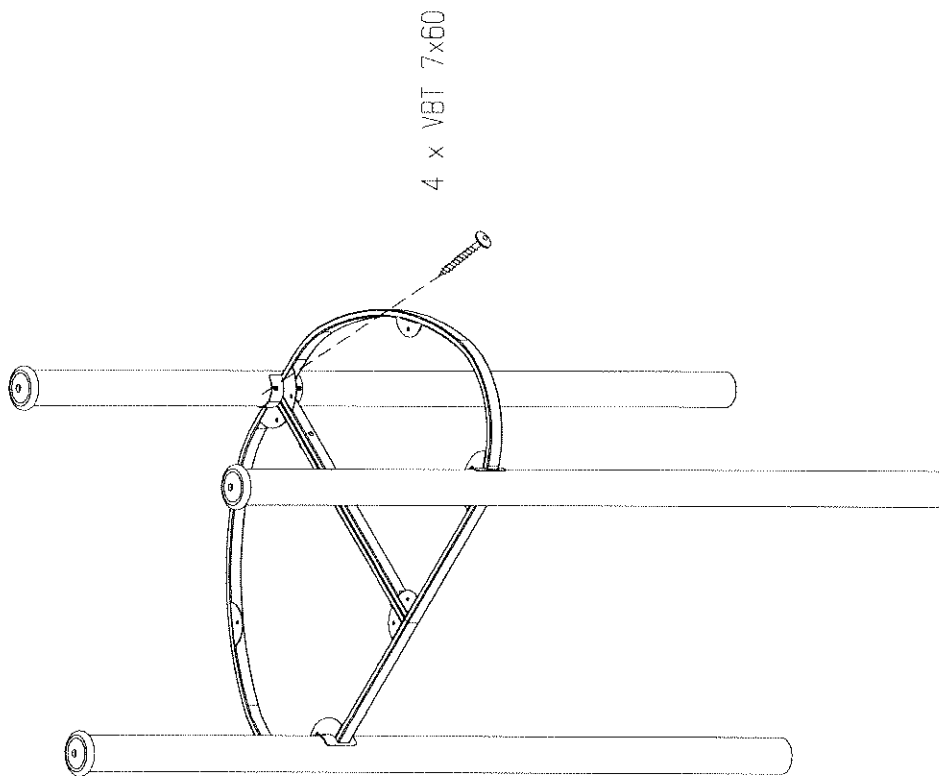


	M10310N	2
	M10440N	2
	VCBHC10*70I	2
	VEFM10	2

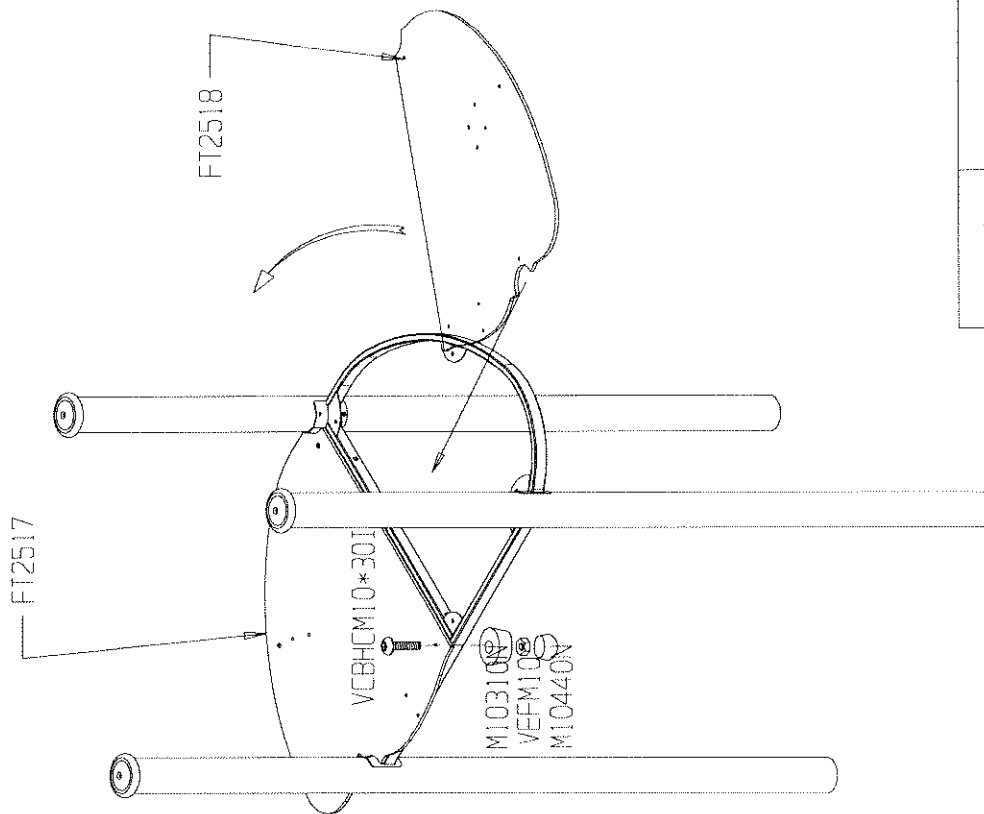






	VBT 7x60	11
	MI 025VX	3
	M10440N	3
	VTRCC10x140	3
	VECM10	3
	VTF 10x60	6
	M10310 N	9
	M10440 N	9

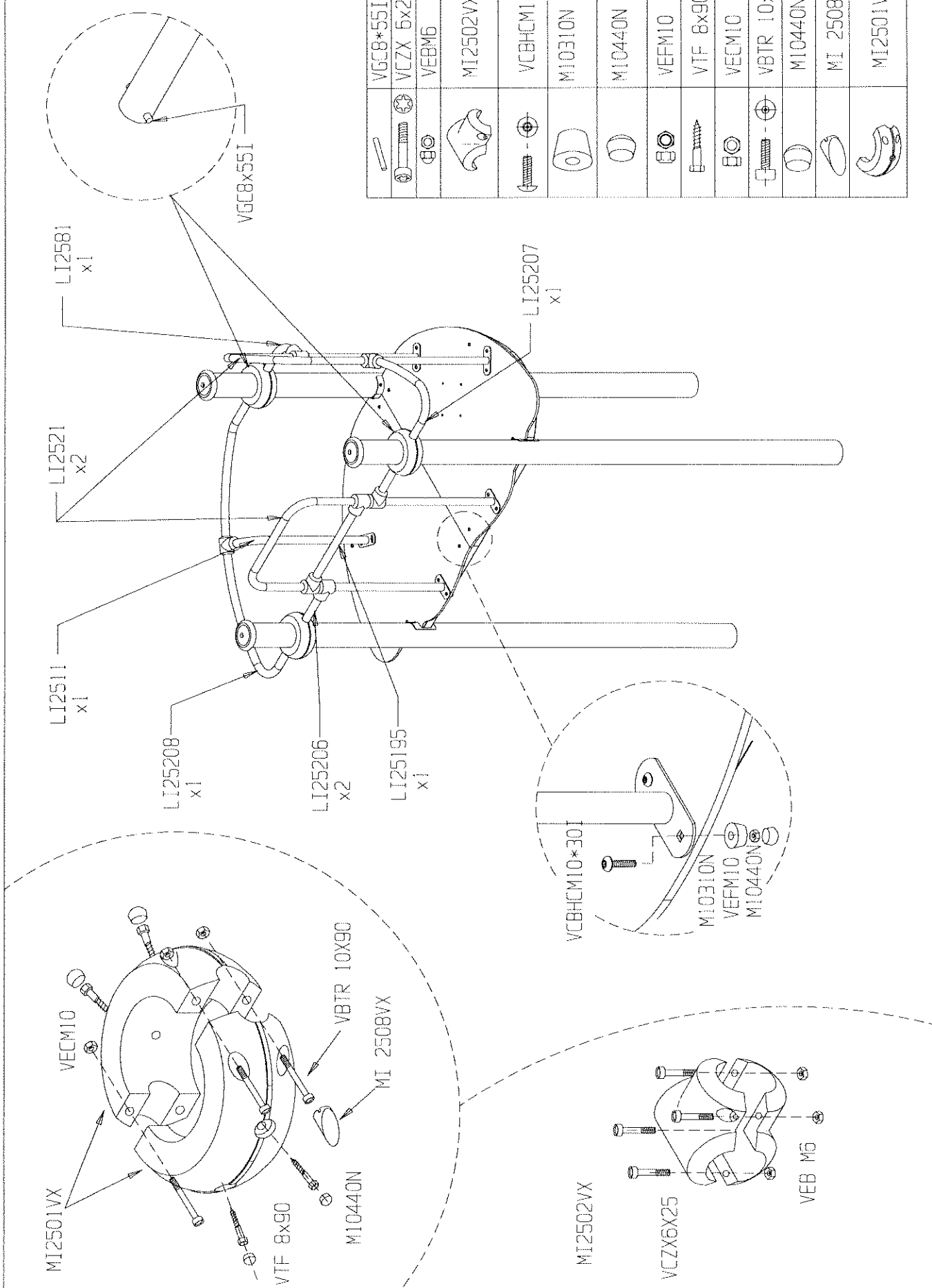




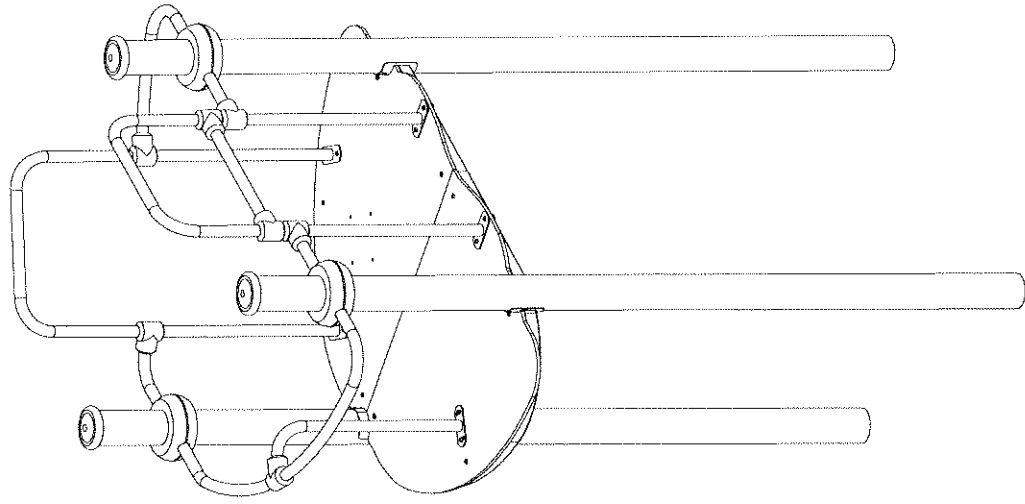
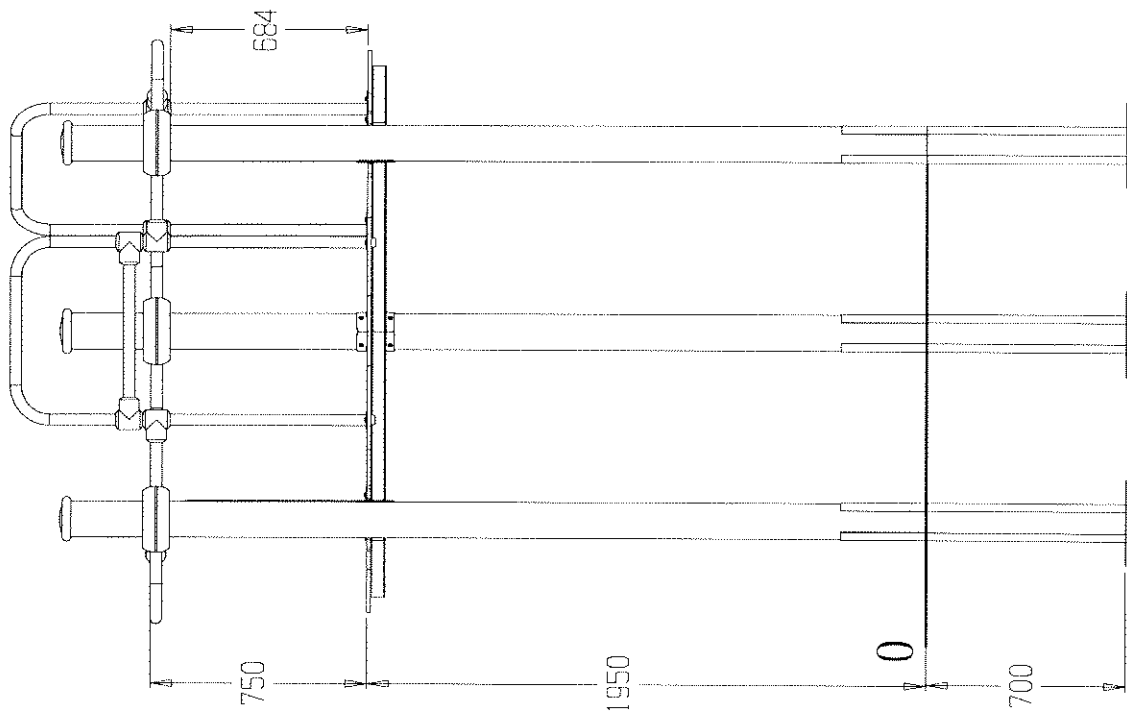
	VBT 7x60	4
---	----------	---

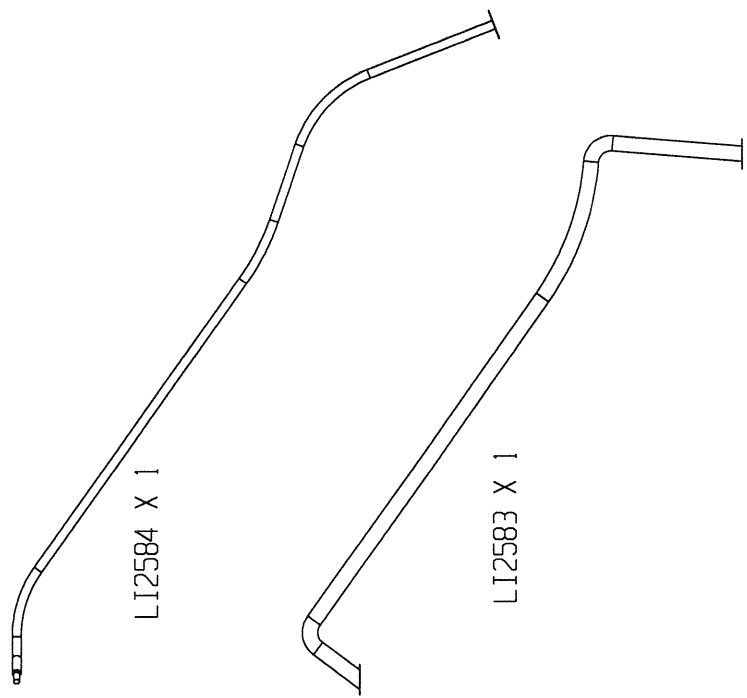
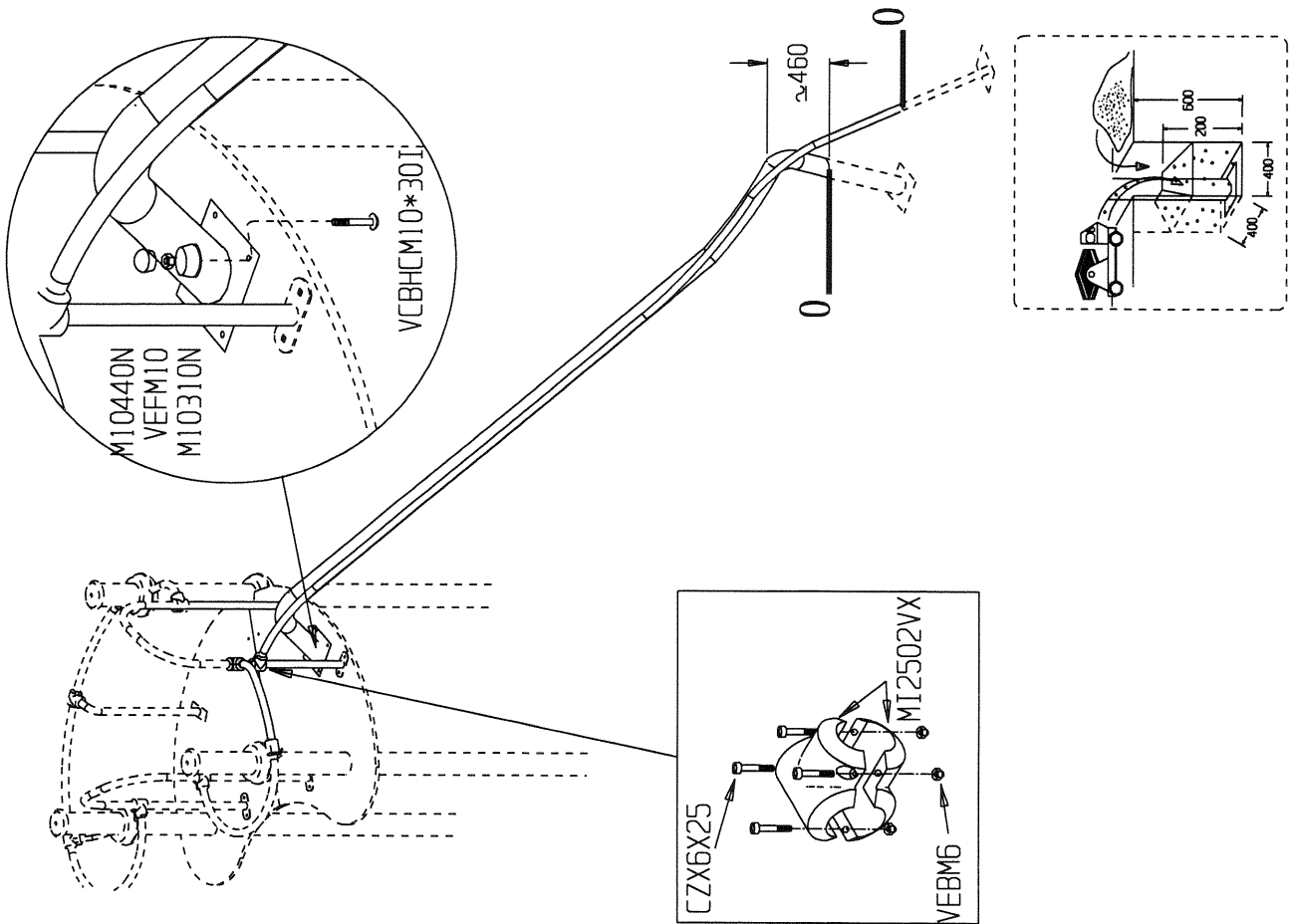


	VCBHC10*30I	8
	M10310N	8
	M10440N	8
	VEFM10	8



	VGC8*55I	4
	VCZX 6x25	28
	VEBM6	28
	MI2502VX	14
	VCBHC10*30I	10
	M10310N	10
	M10440N	10
	VEFM10	10
	VTF 8x90	12
	VECM10	12
	VBTR 10x90	12
	M10440N	12
	MI 2508VX	24
	MI2501VX	6

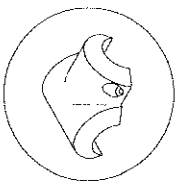
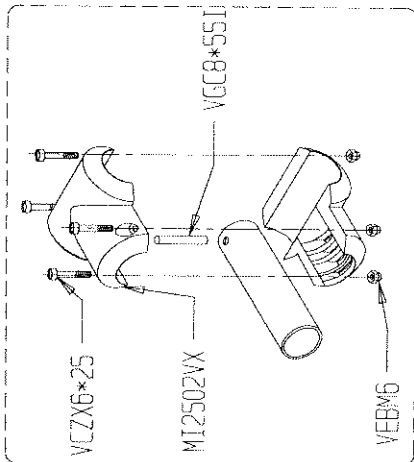




	VEFM10	4
	VCBHC10*30I	4
	VCZX 6x25	4
	VEBM6	4
	M10310N	4
	M10440N	4

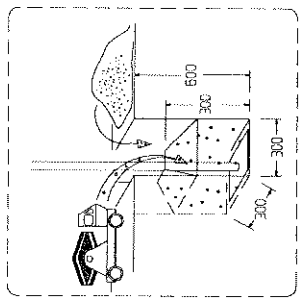
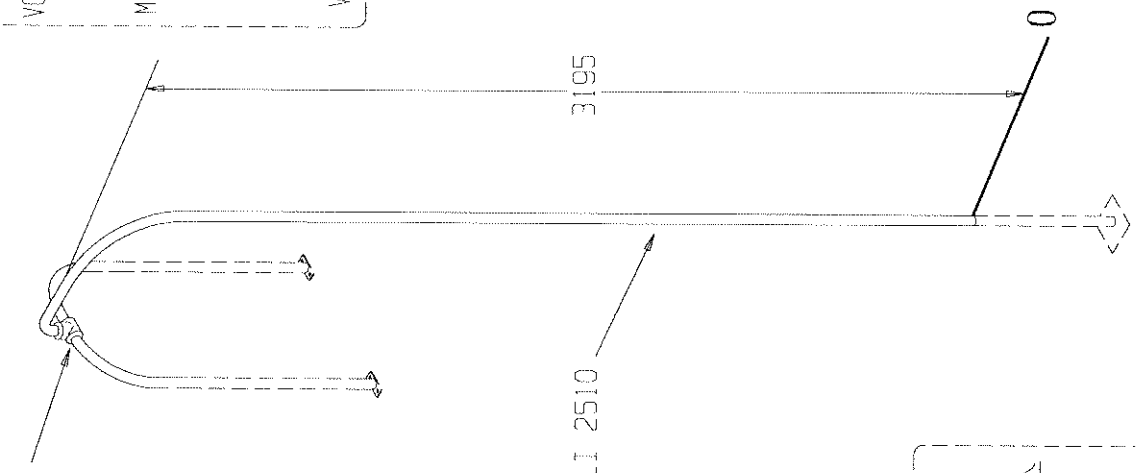


MI2502VX X 2

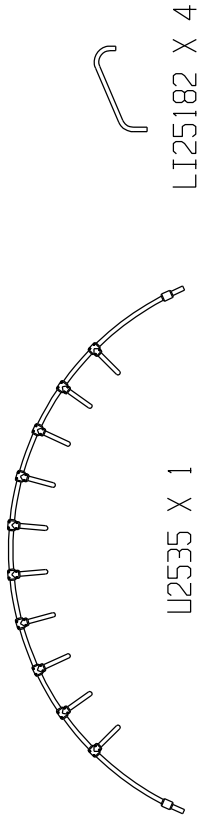
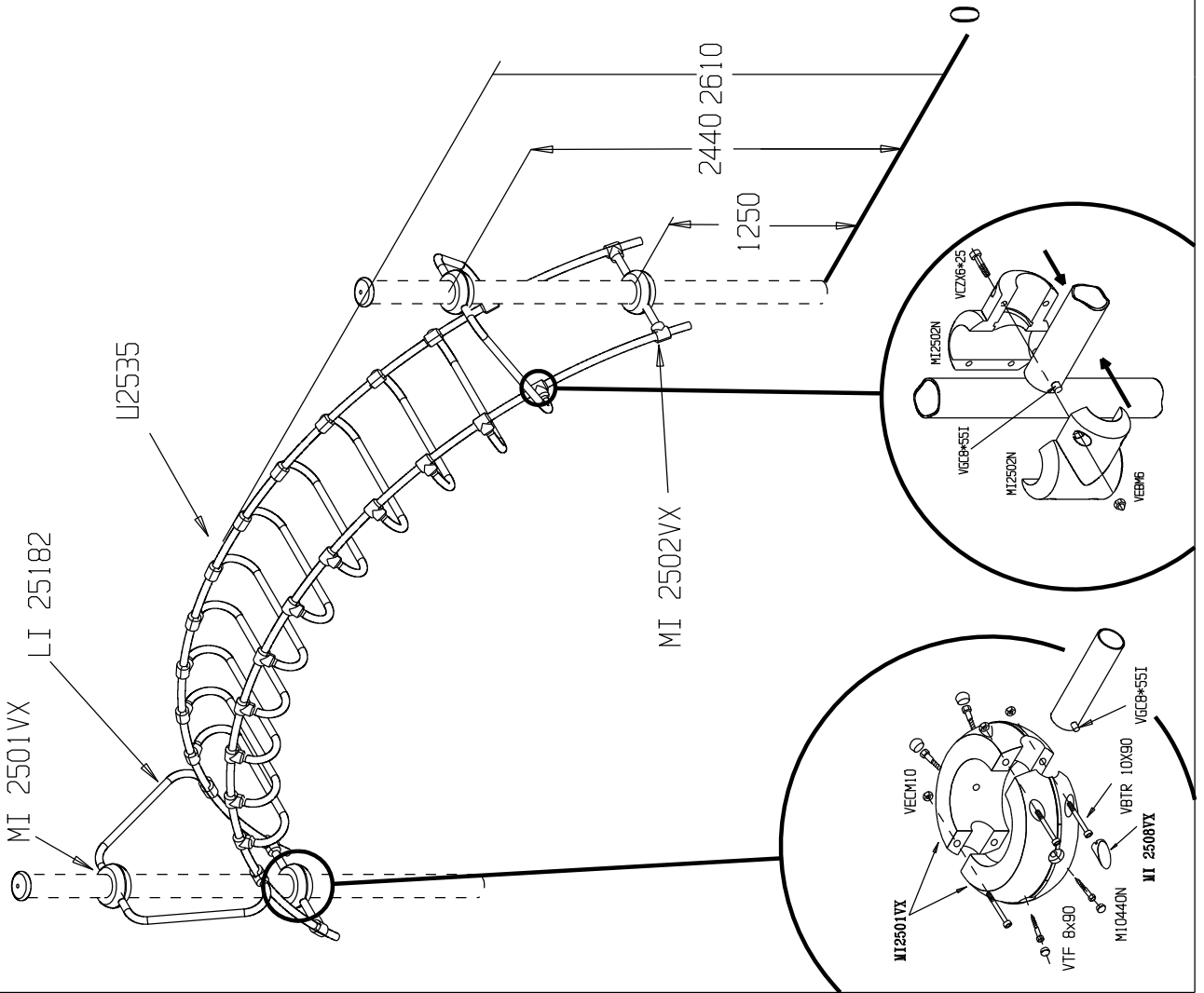


MI2502VX X 2

LI2510 X 1
Lg 3795



	VGC8*55I	1
	VCZX 6x25	4
	VEBM6	4

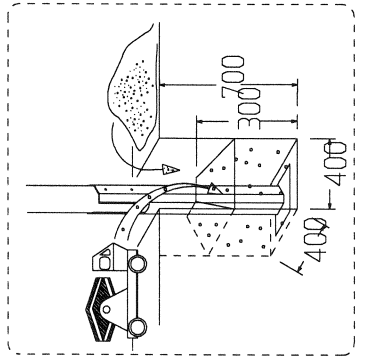
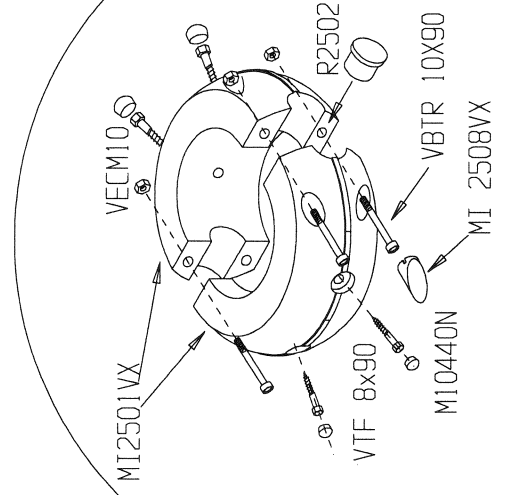
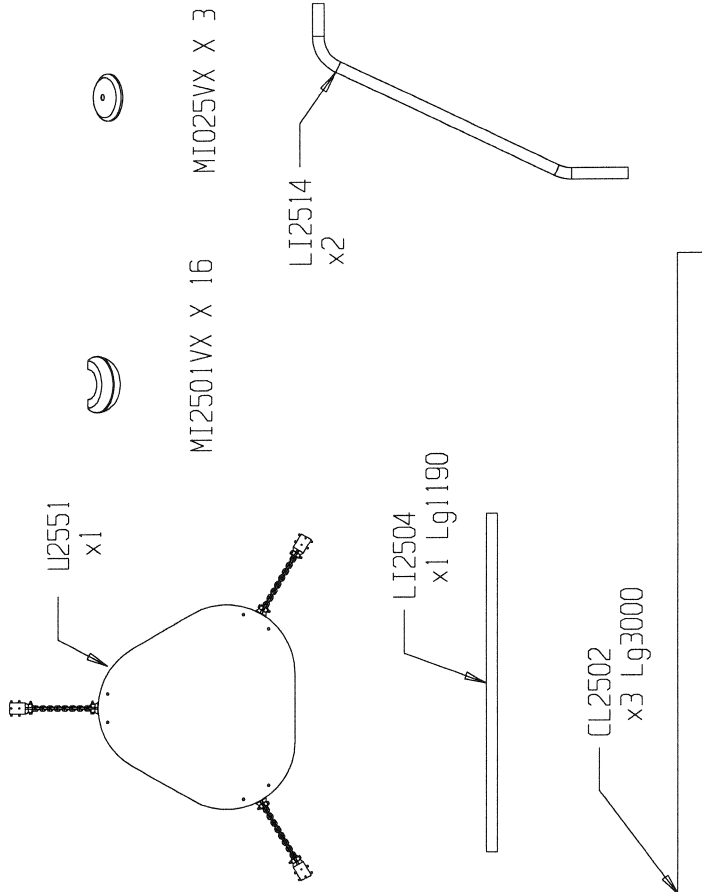
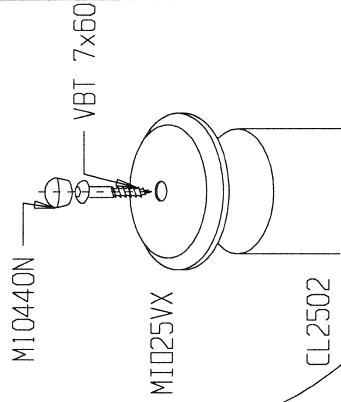
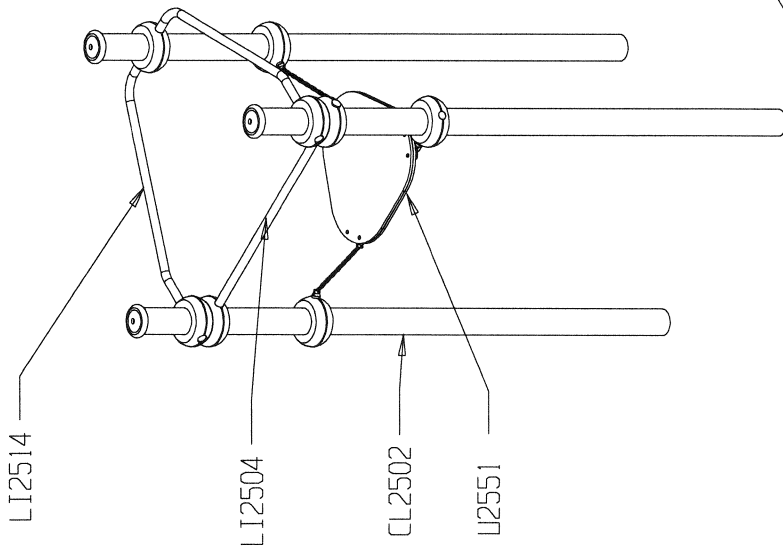


MI2501VX X 8

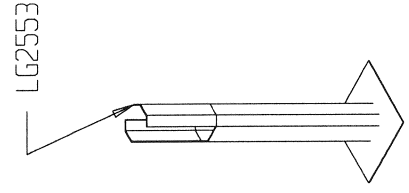


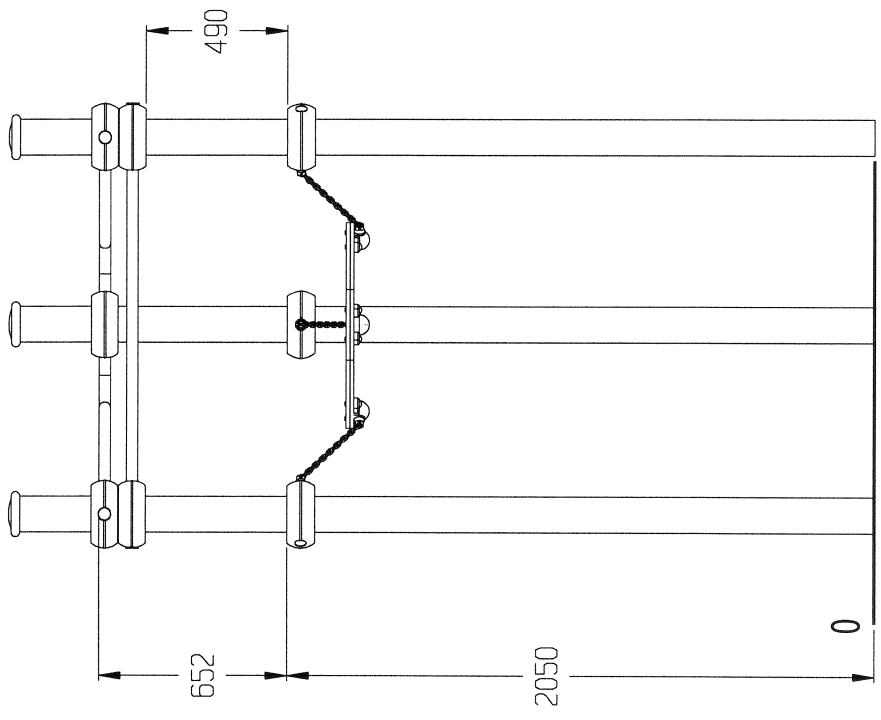
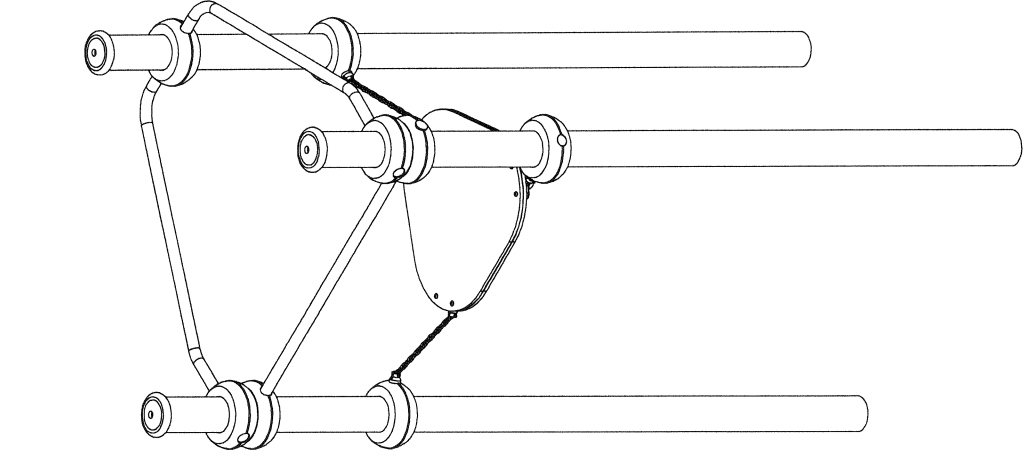
MI2502VX X 8

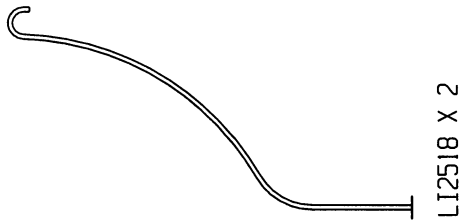
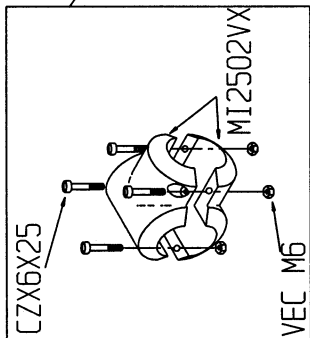
	VGC8*55I	12
	VTF 8x90	16
	VBTR 10x90	16
	VCZX 6x25	16
	M10440N	16
	VECM10	16
	VEBMG	16
	MI 2508VX	32



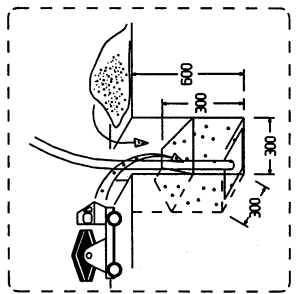
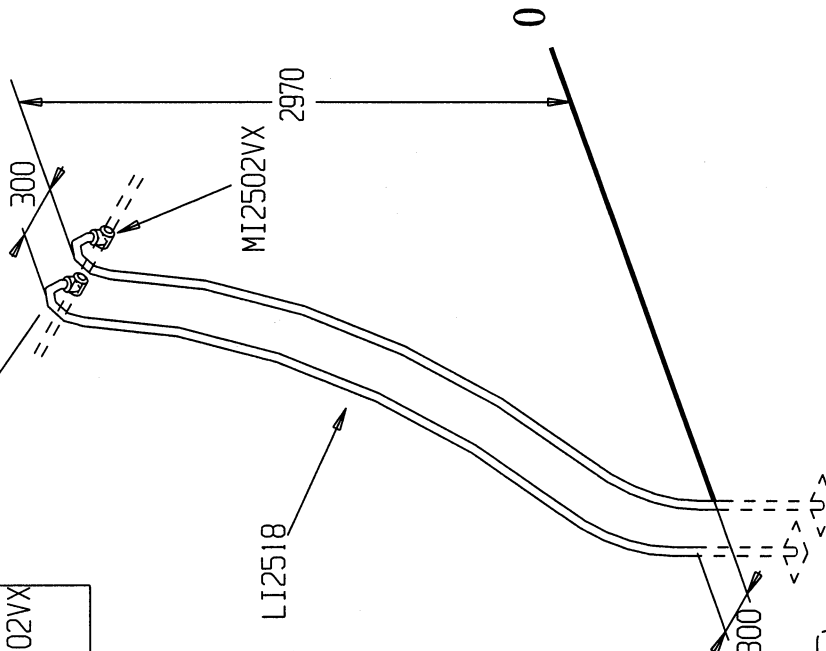
	VBT 7x60	3
	VTRCC10x140	3
	VTF 10x60	6
	VTF 8x90	32
	VBTR 10x90	32
	M10310N	9
	M10440N	44
	R 2502	7
	VECM10	35
	MI 2508VX	64



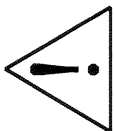
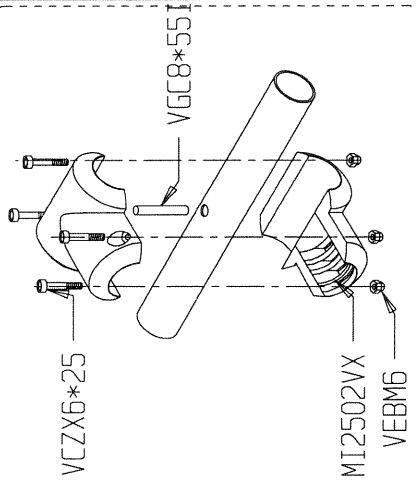
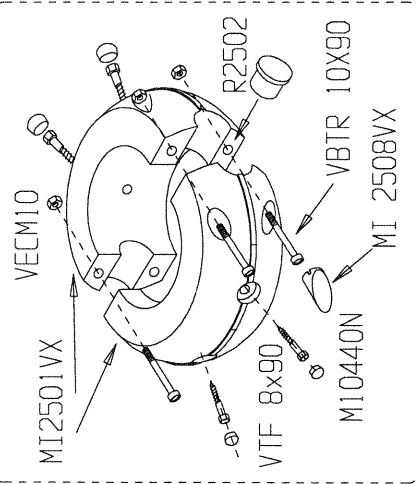
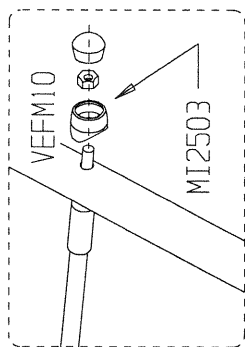




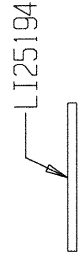
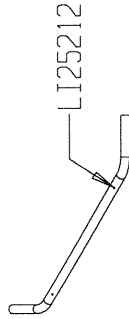
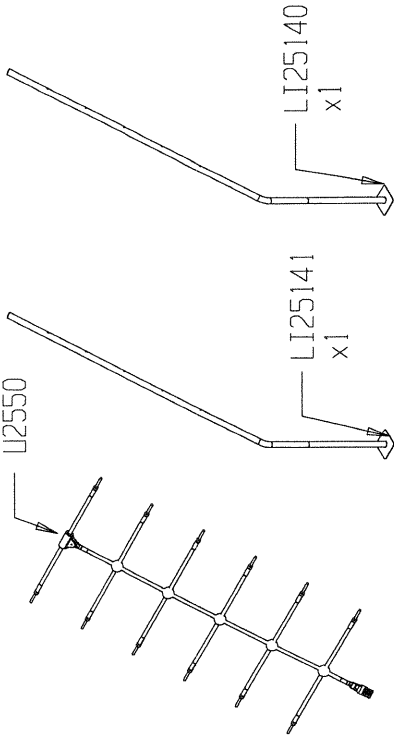
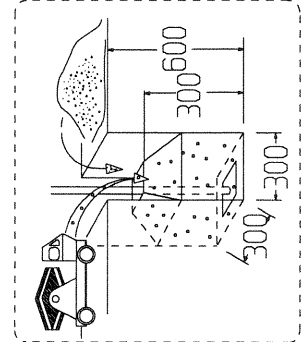
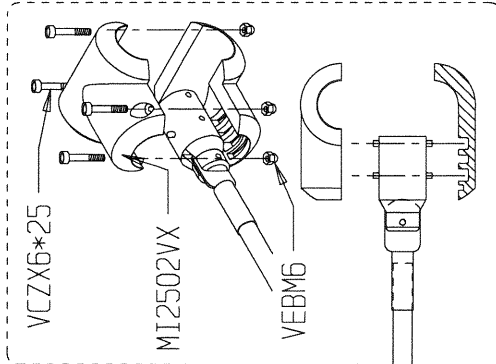
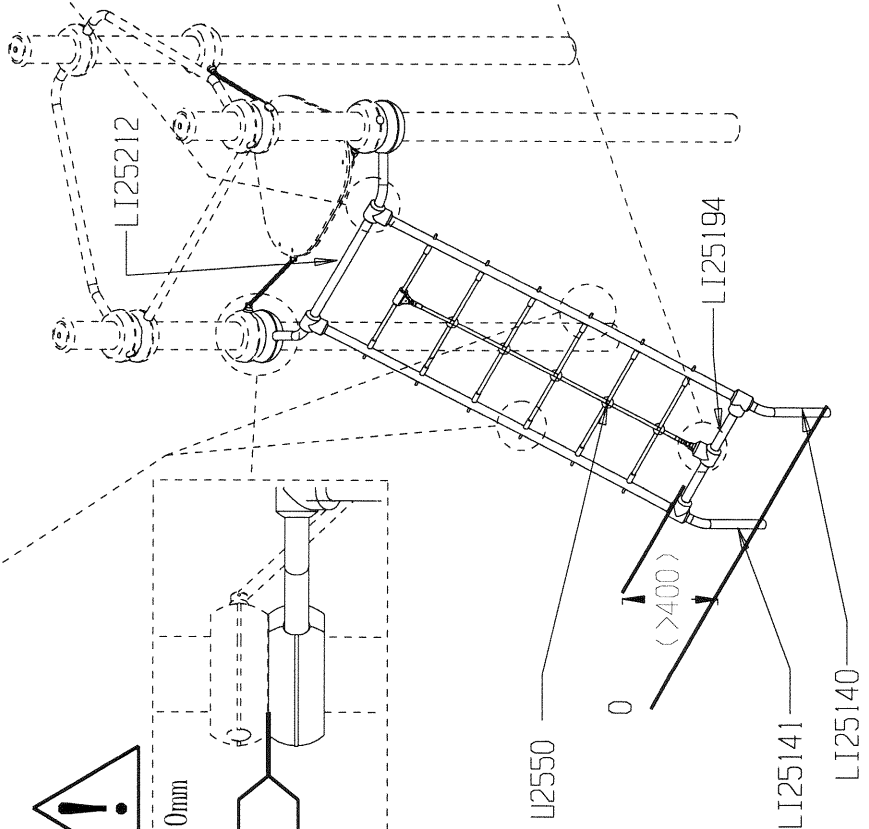
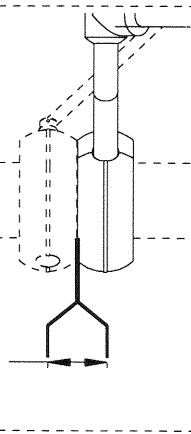
MI2502VX X 4



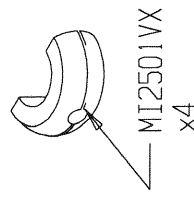
⊕	VEC M6	8
⊕	VCZX 6x25	8



X = 0mm

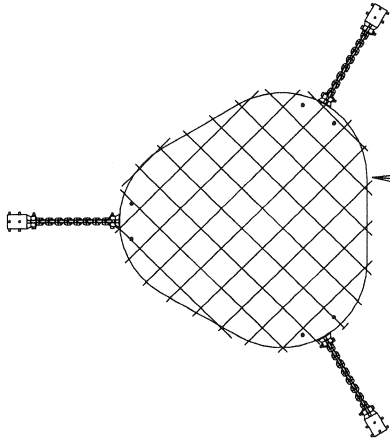
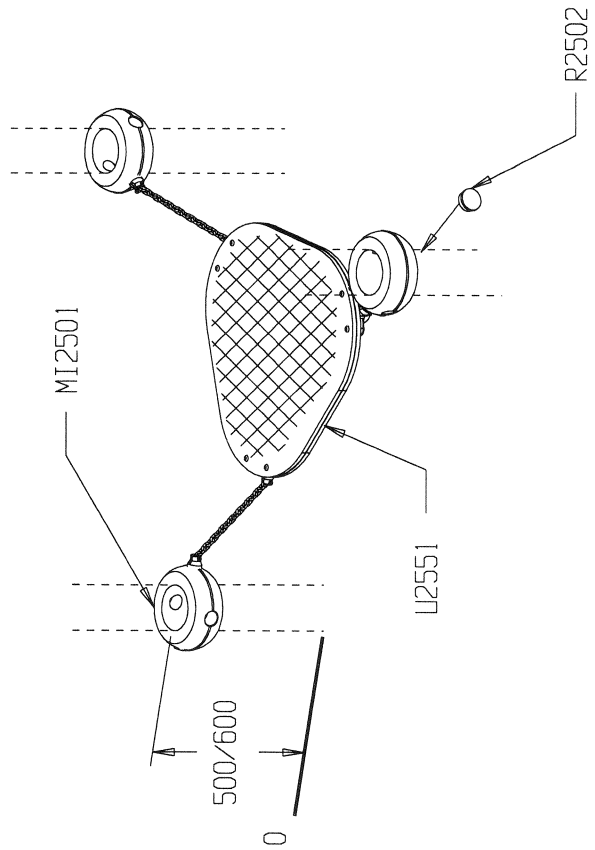
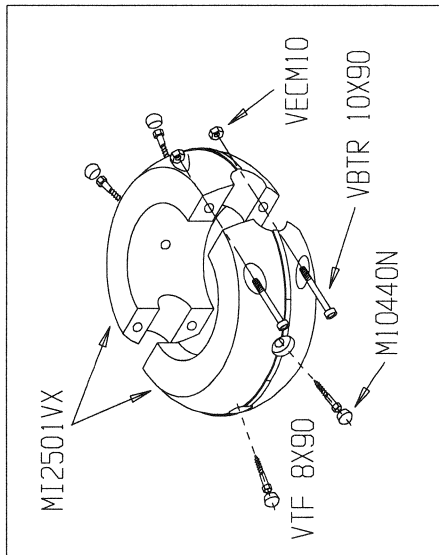


MI2502VX x 10



MI2501VX x4

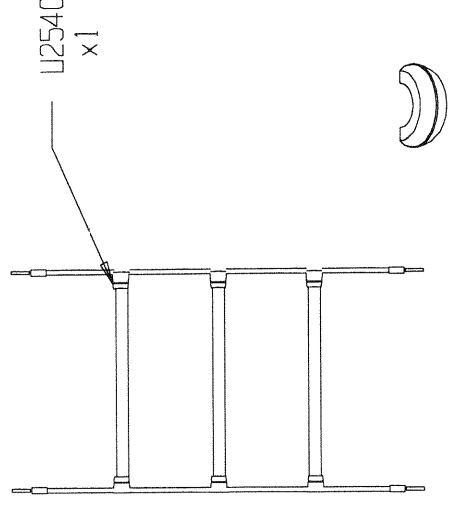
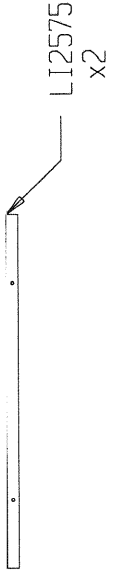
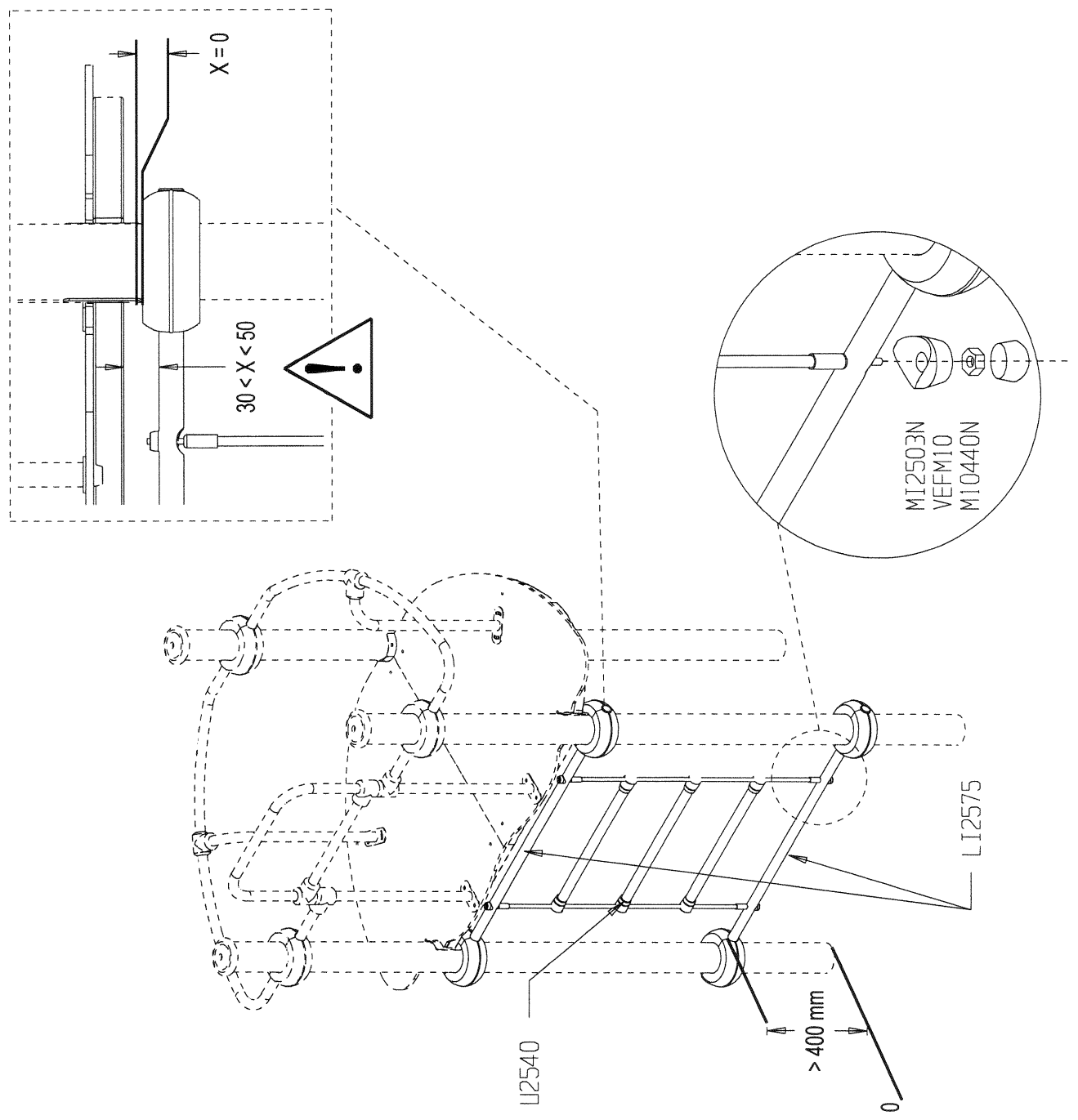
	R 2502	2
	VTF 8x90	8
	VECM10	8
	VBTR 10x90	8
	MI10440 N	8
	MI 2508VX	16
	VGC8*55I	2
	VCZX 6x25	20
	VEBM6	20
	MI10440 N	12
	MI2503 N	12
	VEFM10	12



MI2501VX X 6

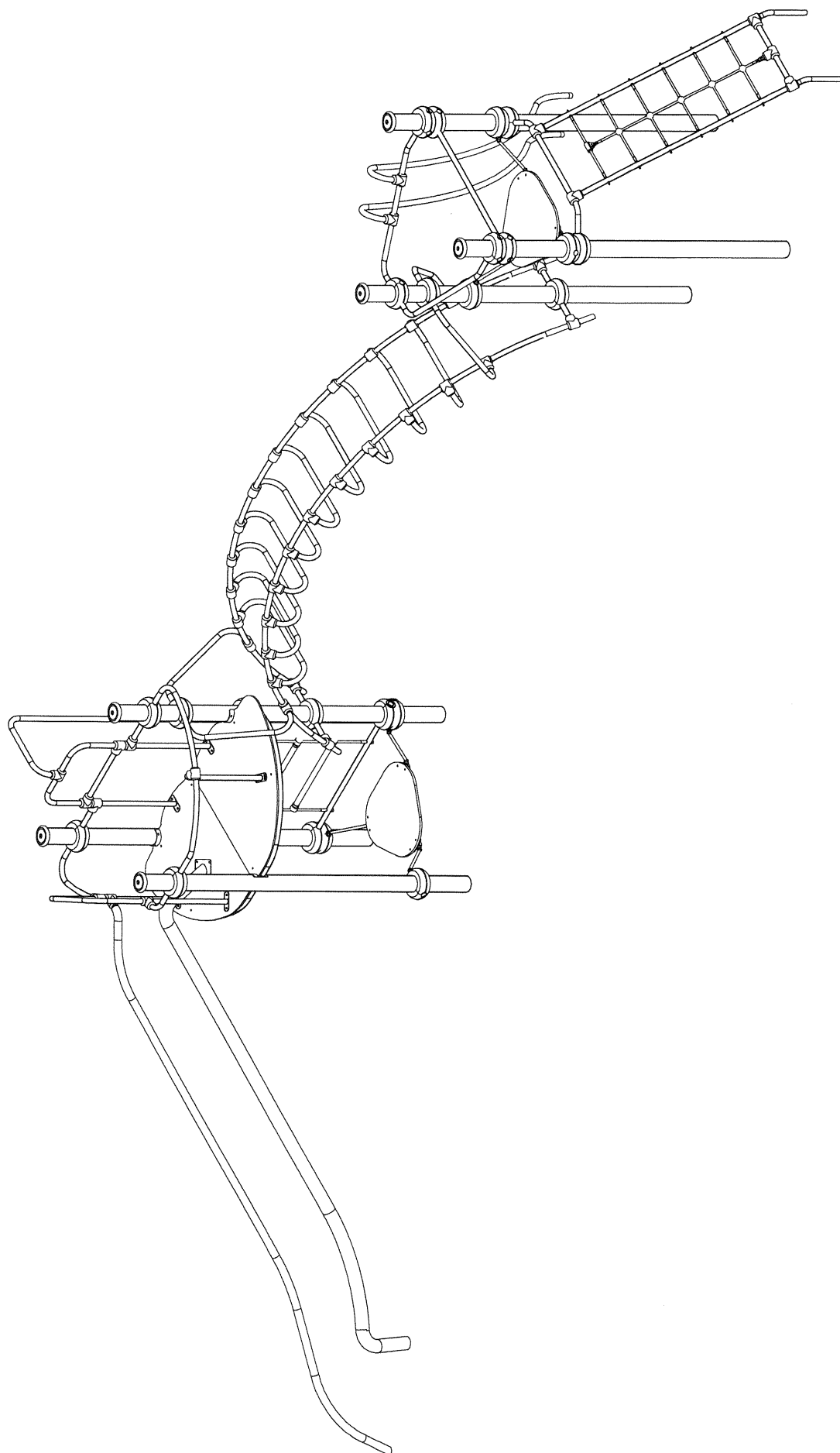
1 x U2551

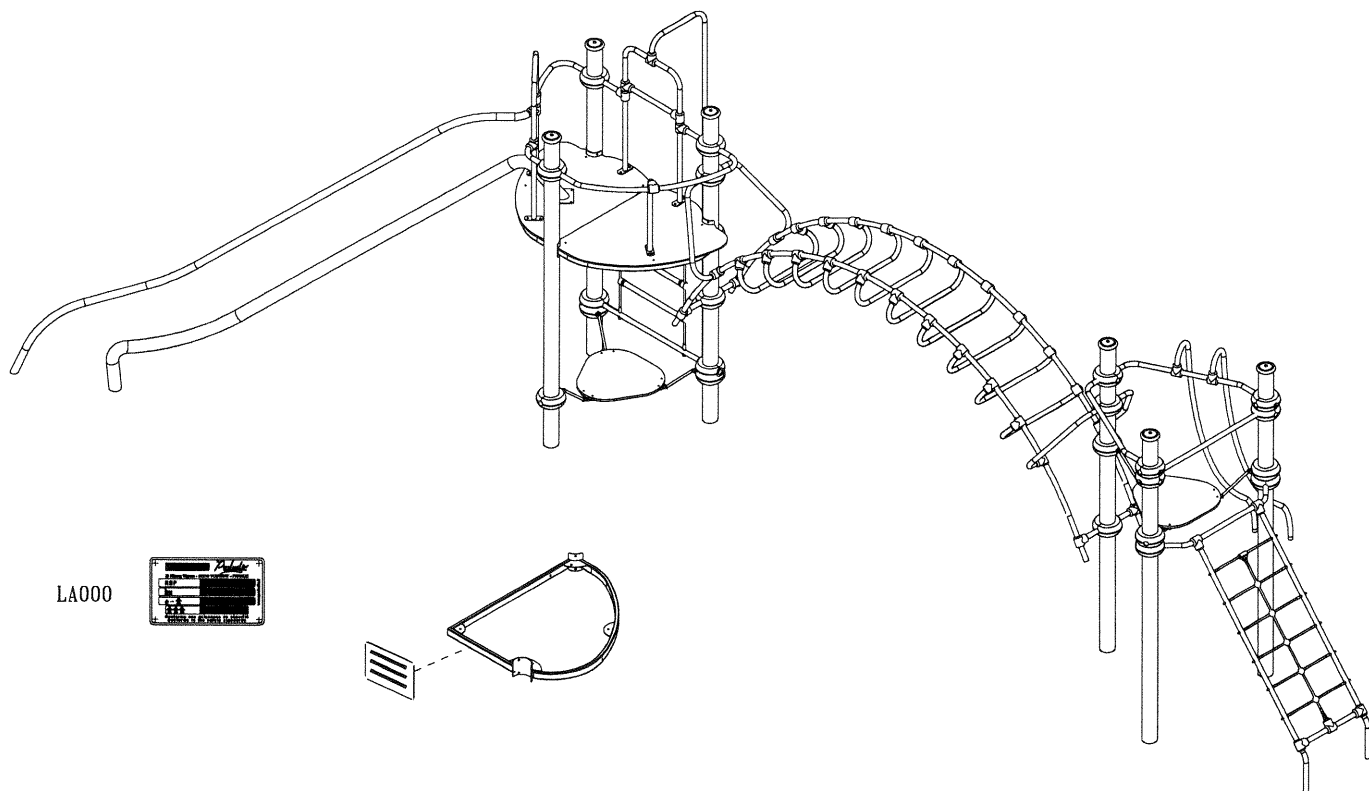
	VTF 8X90	12
	VEC M10	12
	VBTR 10x90	12
	M10440N	12
	MI 2508VX	24
	R 2502	3



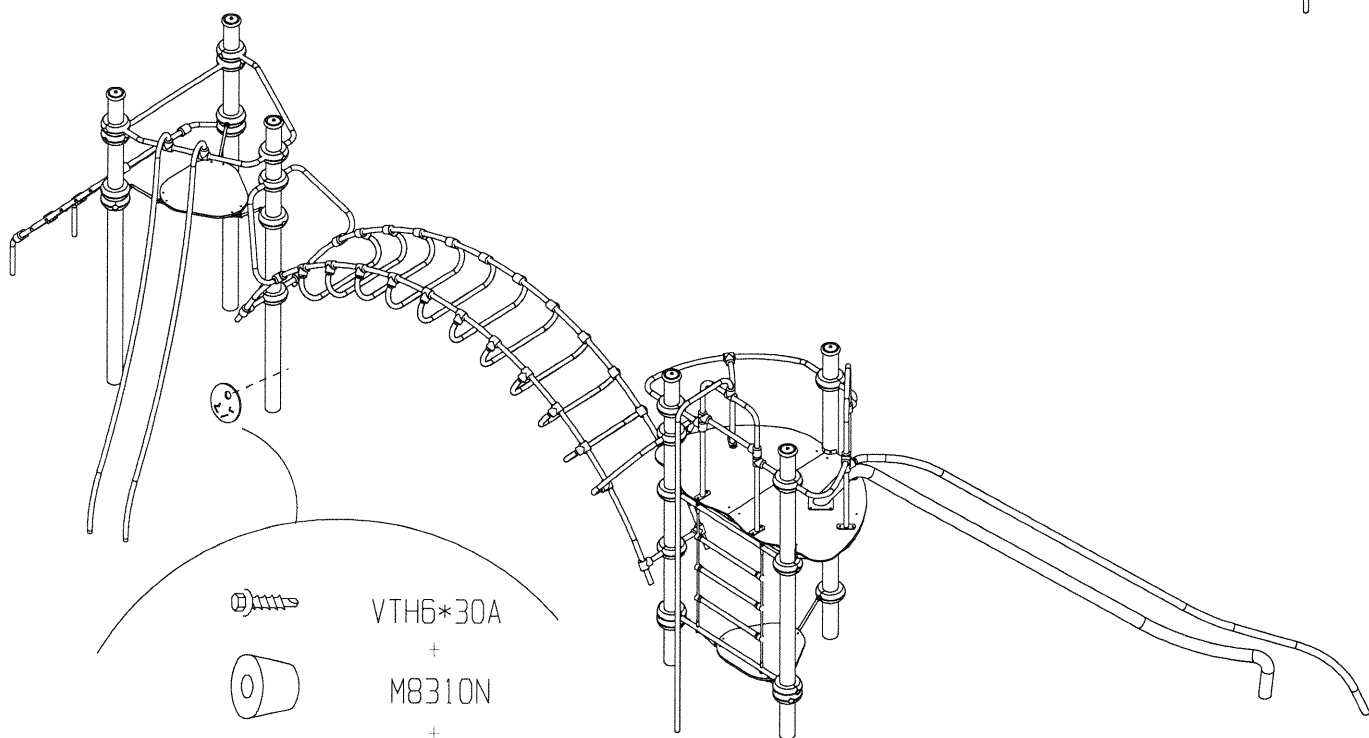
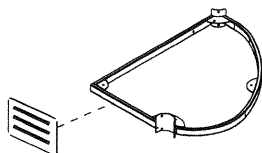
MI2501VX x 8

	VECM10	16
	VBTR 10x90	16
	VTF 8X90	16
	MI2503N	4
	M10440N	20
	VEFM10	4
	MI 2508VX	32
	R 2502	4





LA000



VTH6*30A

+



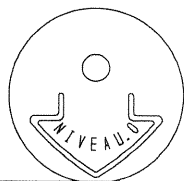
M8310N

+

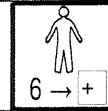


M8440N

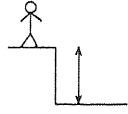
+



MI0002

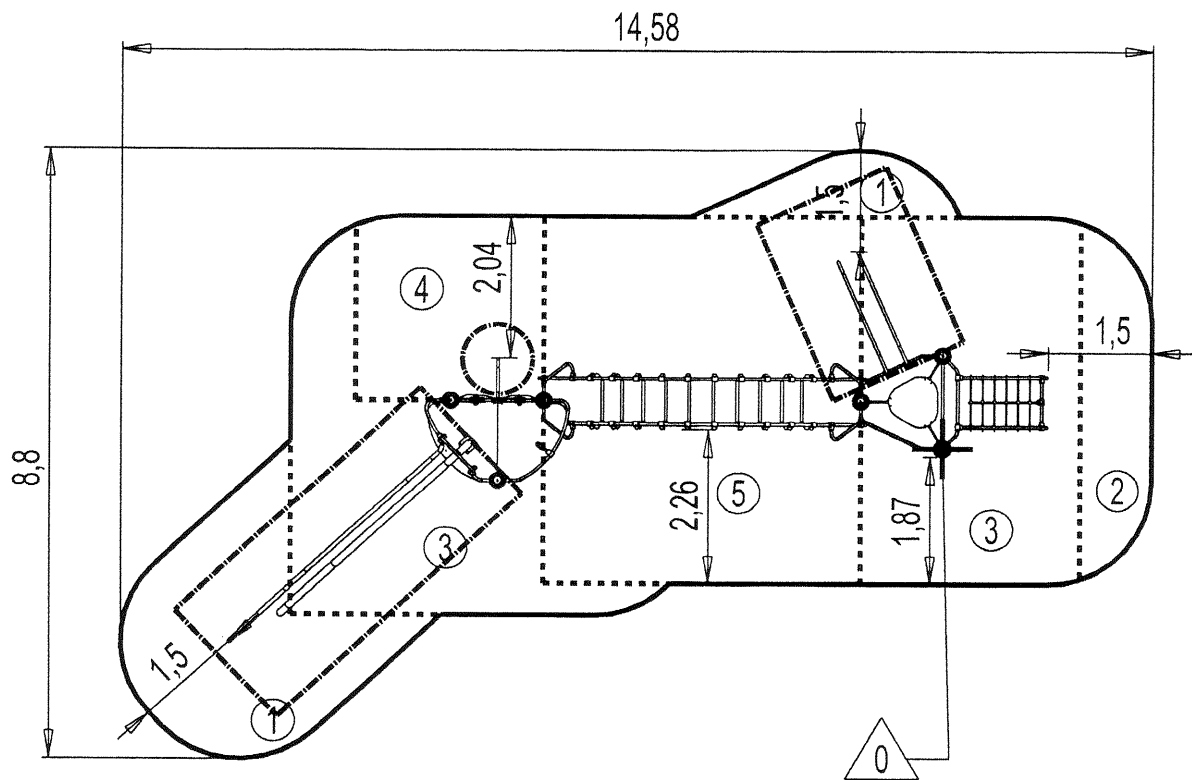


EN1176-1 : 2017

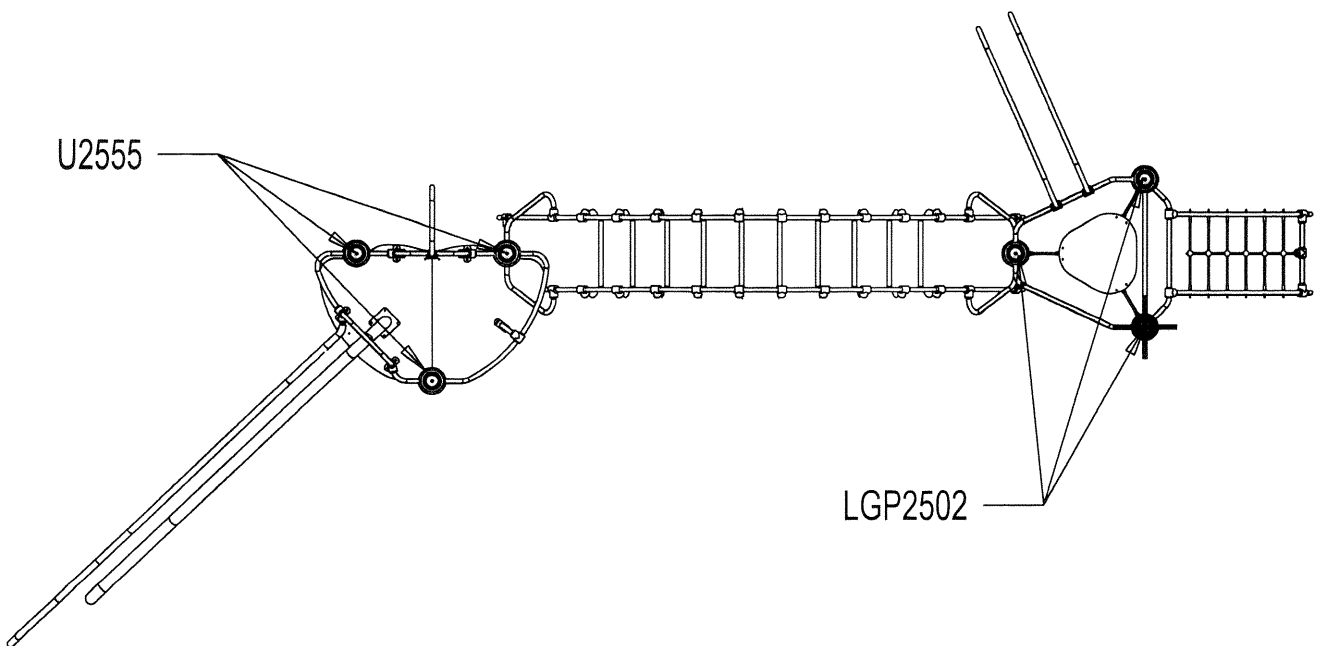
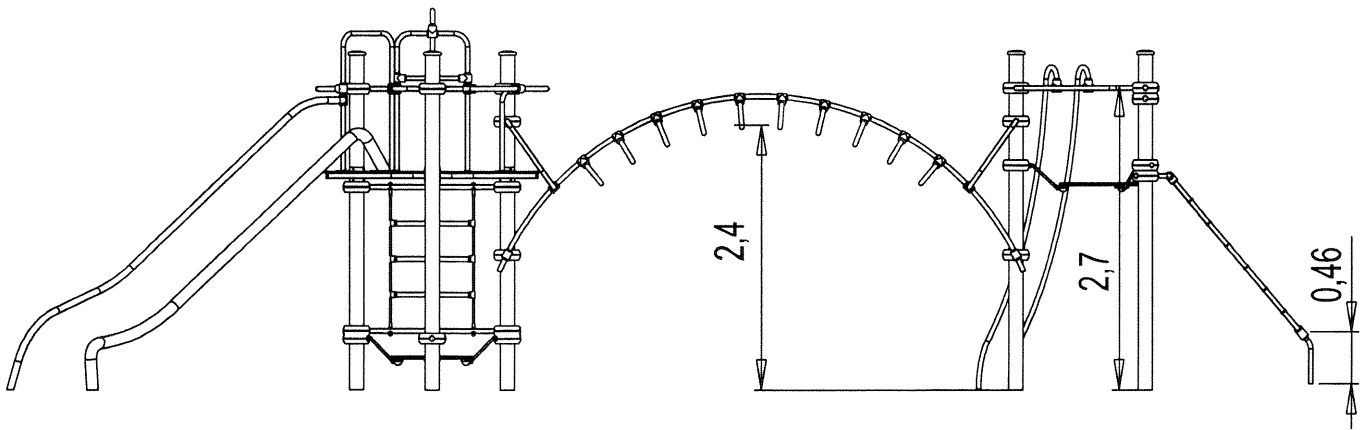
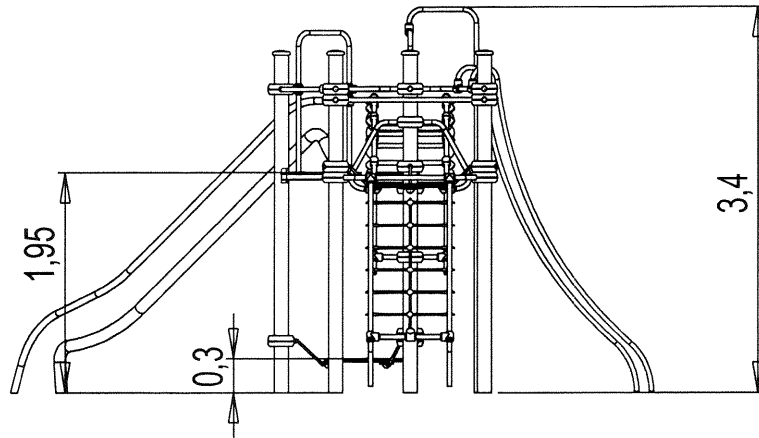
N°		M ²
①	0.6 m	12 m ²
②	1 m	5 m ²
③	1.95 m	30 m ²
④	2.2 m	7 m ²
⑤	2.4 m	24 m ²

— Zone d'Impact
Impact Area
Area de Impacto
Fallraum
Valzone

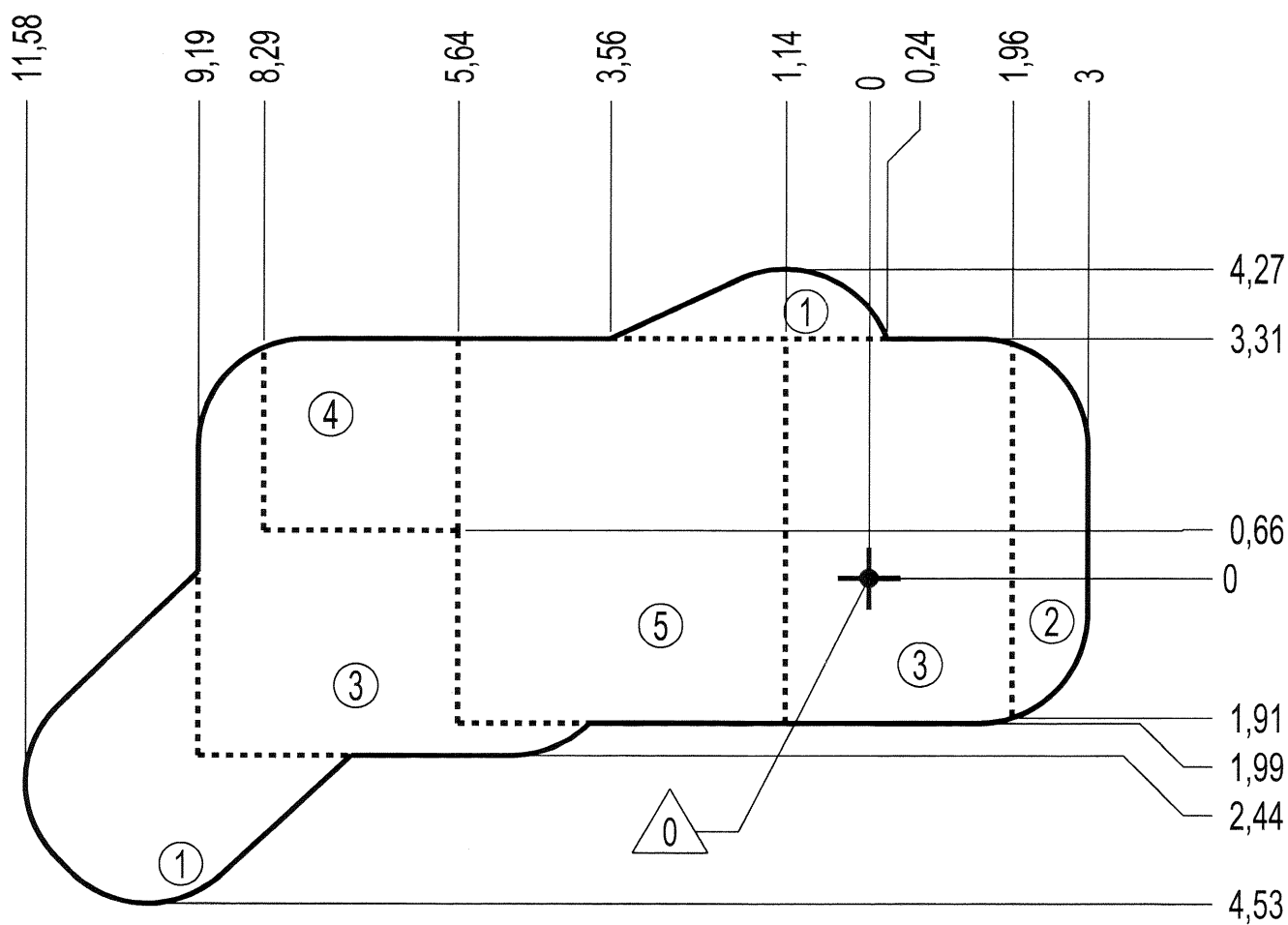
- - - Espace libre
Free Space
Espacio Libre
Freiraum
Vrije ruimte



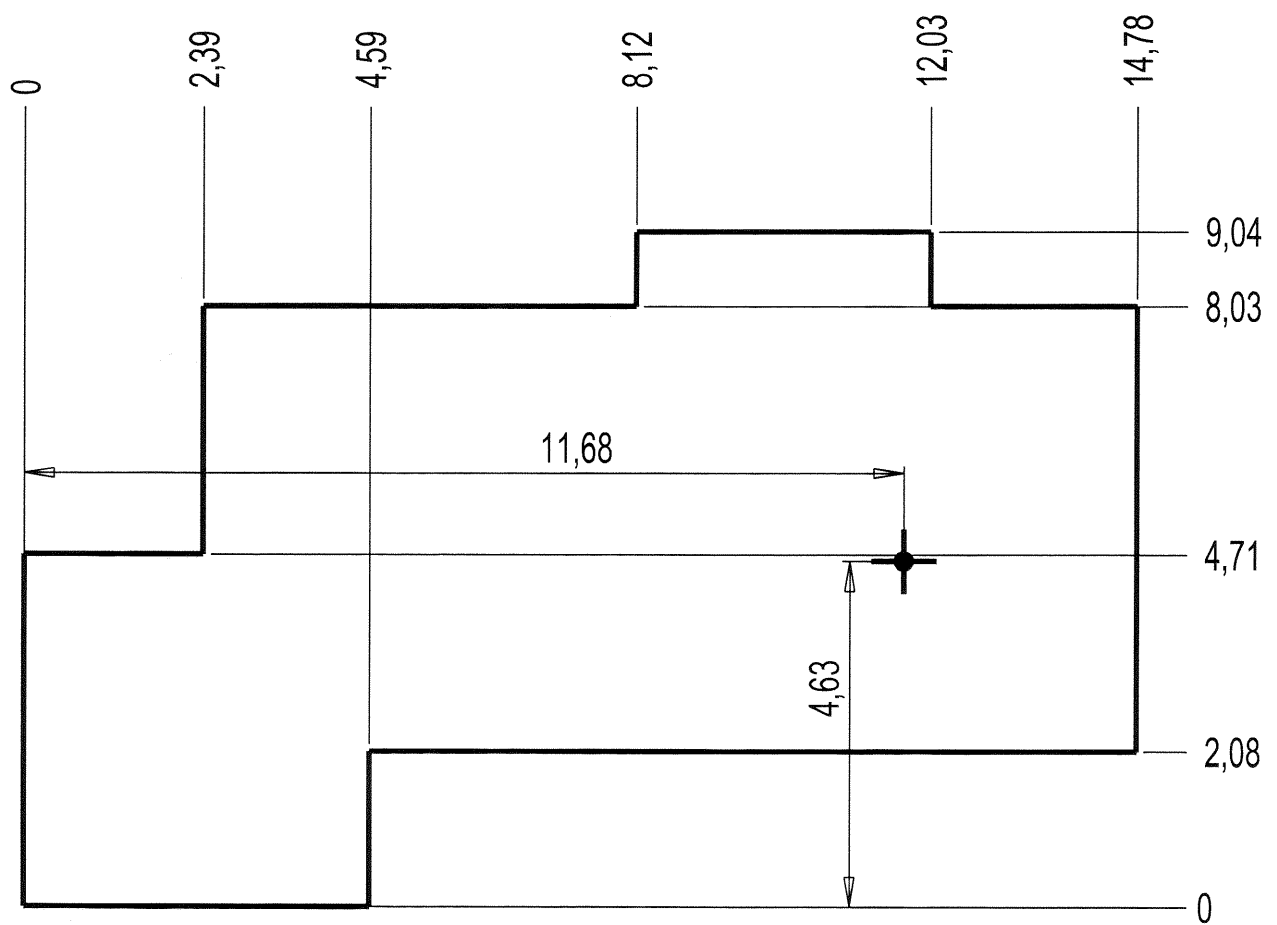
Point de Référence
Setting Out Point
Punto de referencia
Bezugspunkt
Referentiepunt



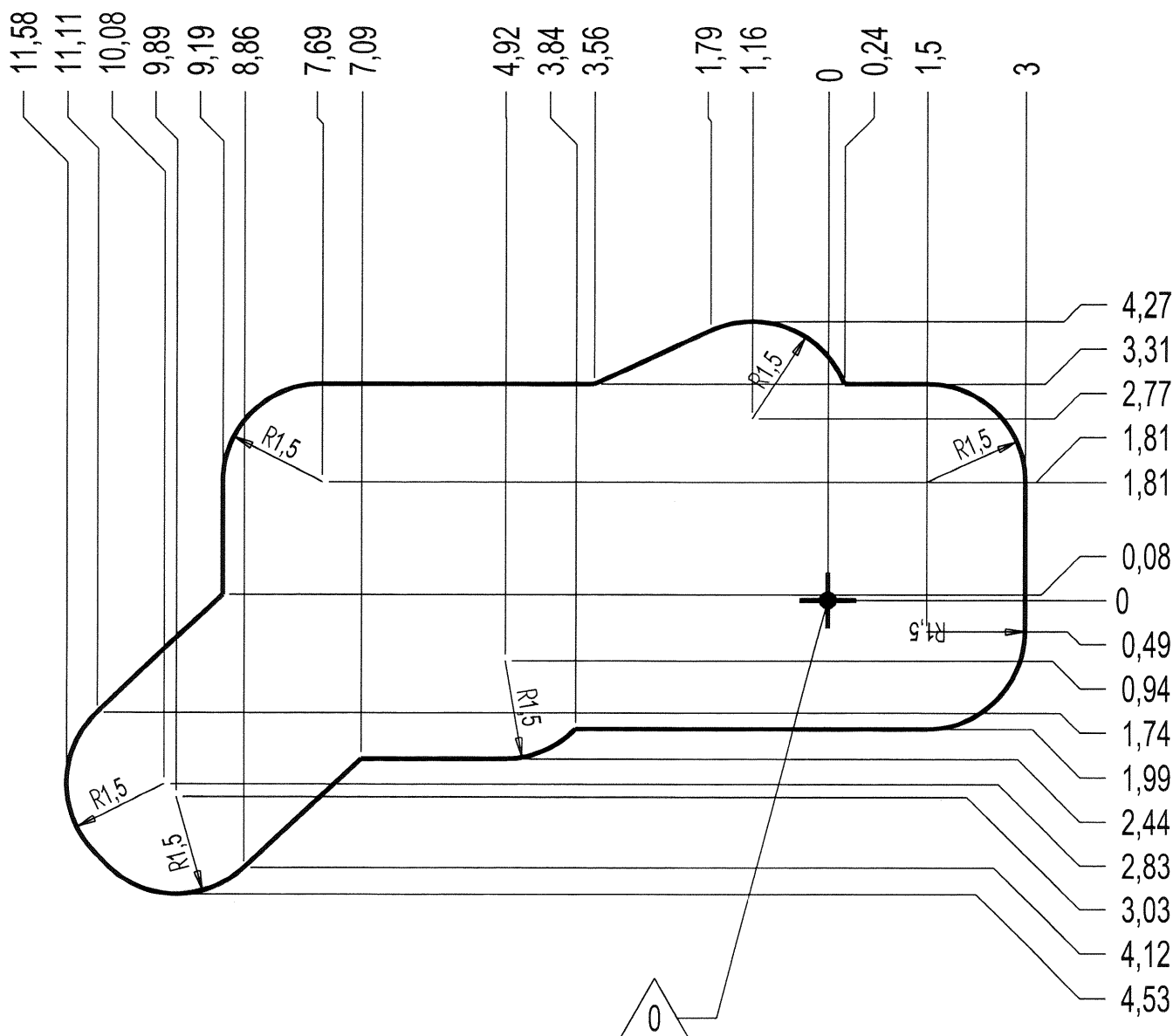
— Sol souple 78 m²
 Wetpour
 Caucho Continuo
 Synthetischer Fallschutz
 Gietvloer



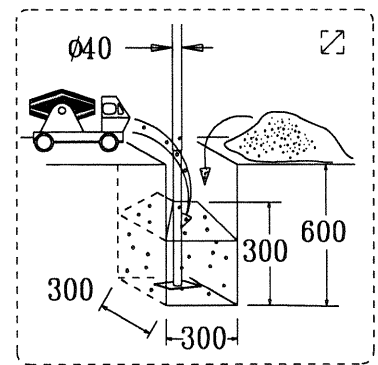
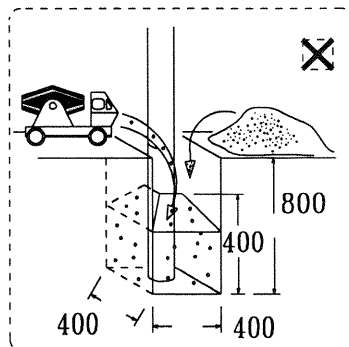
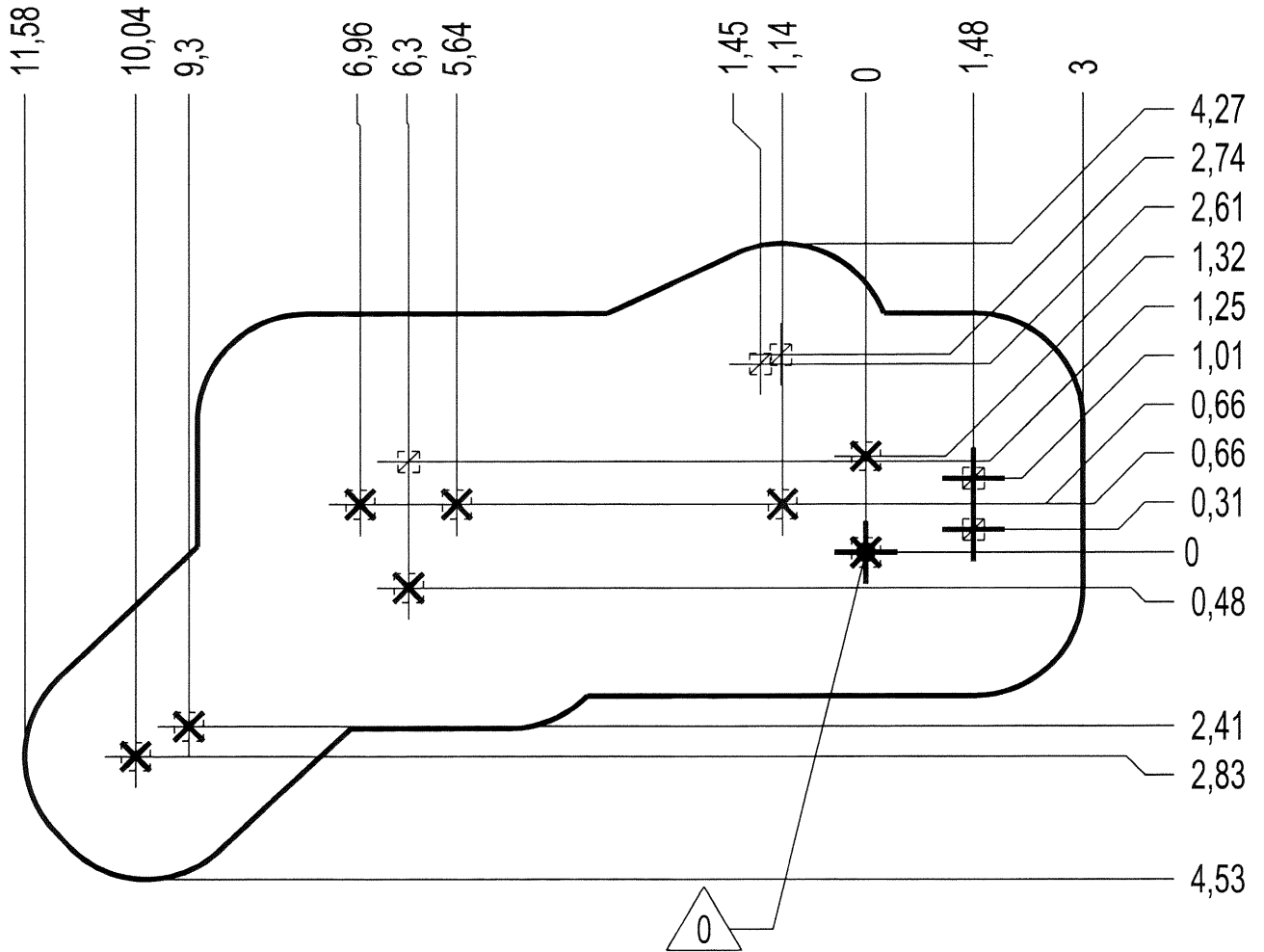
- Sol fluent 48 m
- Loose particle material 94 m²
- Arenero
- Loses Bodenmaterial
- Los bodenmaterial






— Zone d'Impact 78 m²
 Impact Area
 Area de Impacto
 Fallraum
 Valzone

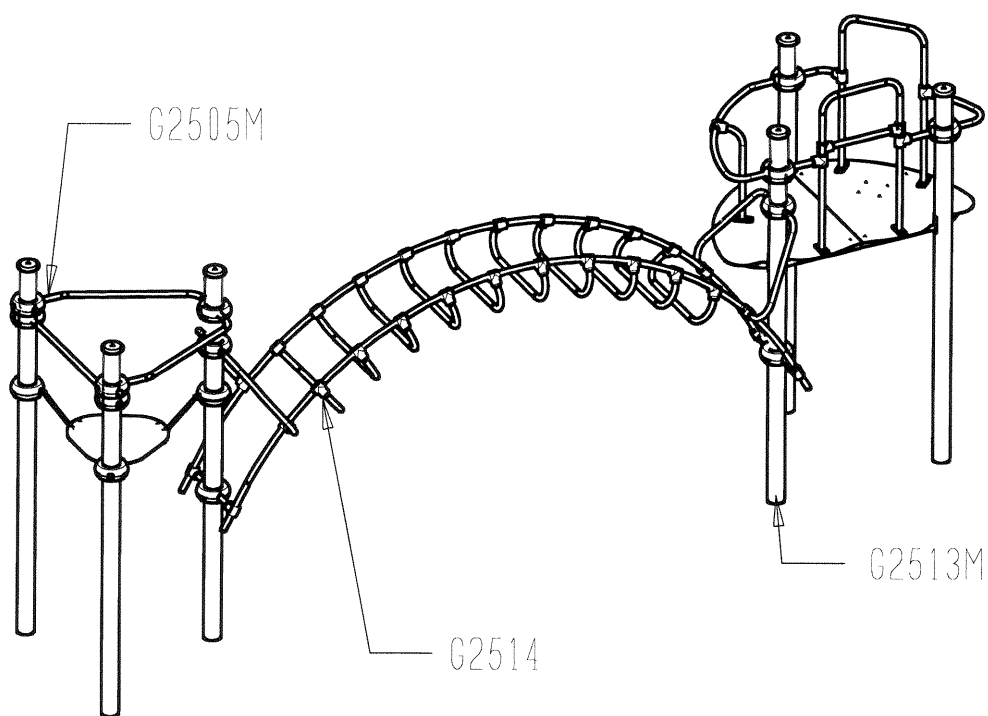


Implantation
 Footing plan
 Implantación
 Fundamentplan
 Funderingstekening

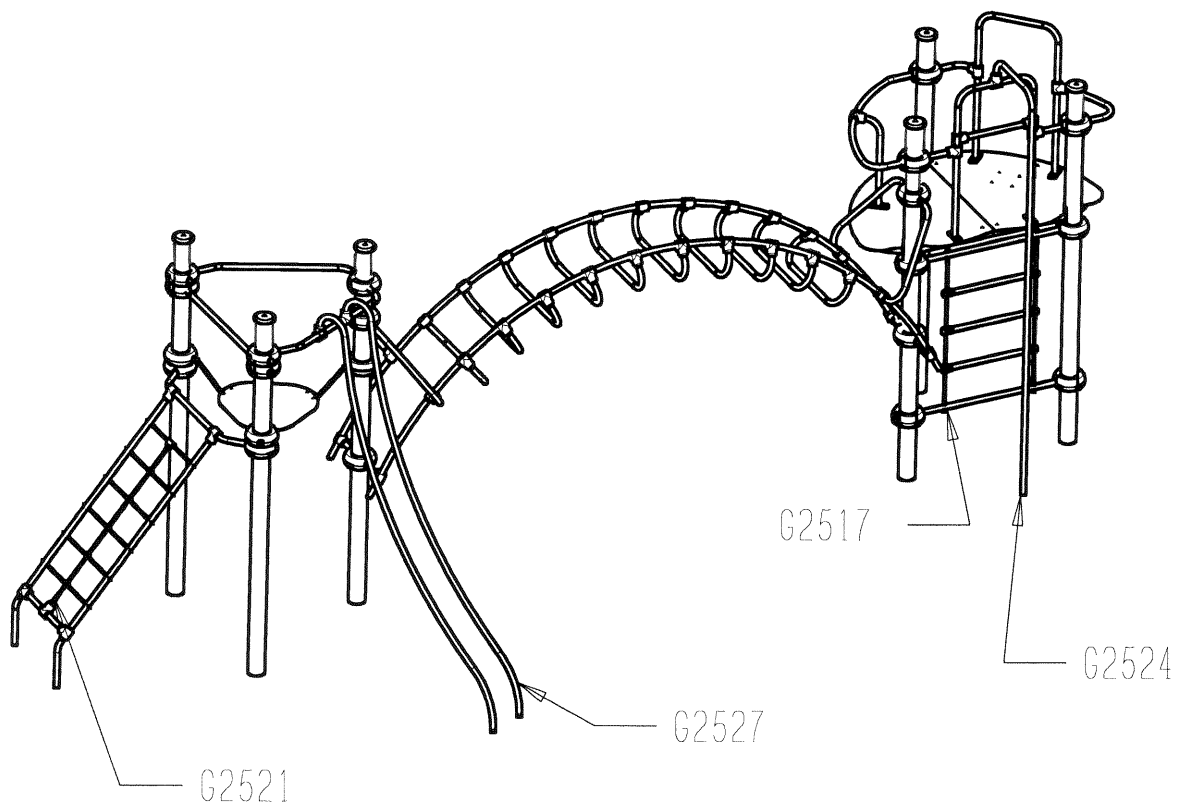


 x2	 18H45	 0.6 m ³
---	---	--

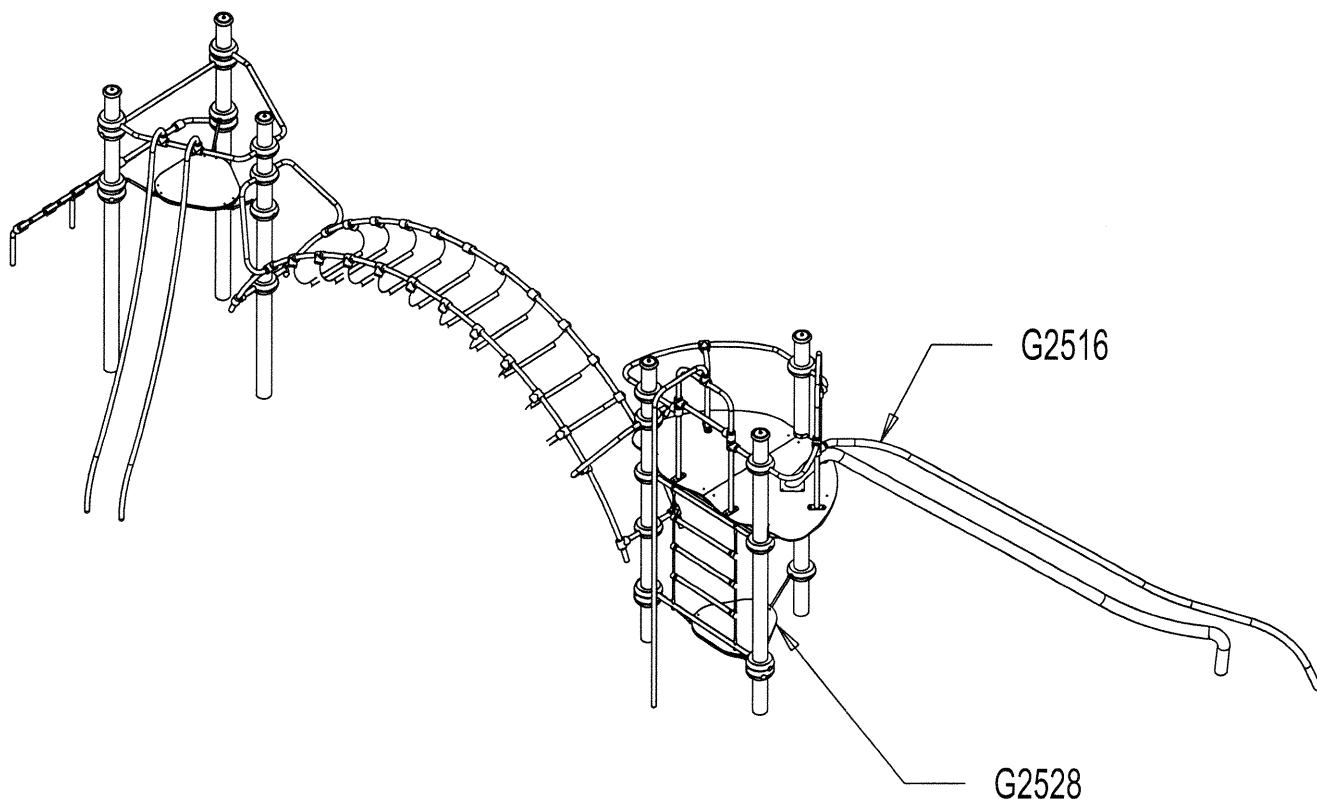
①

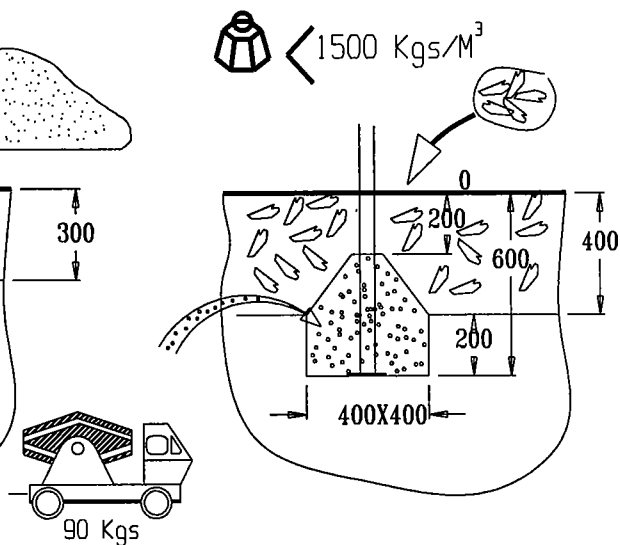
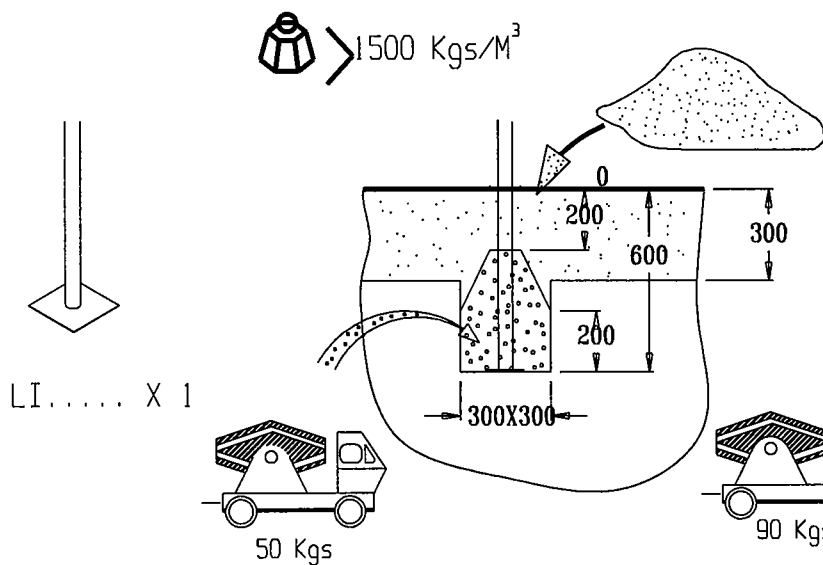
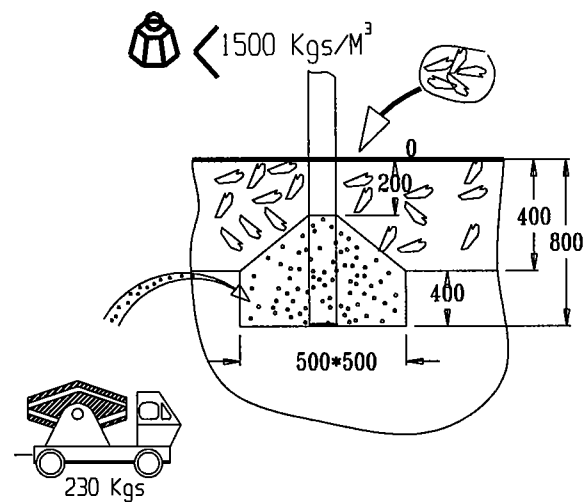
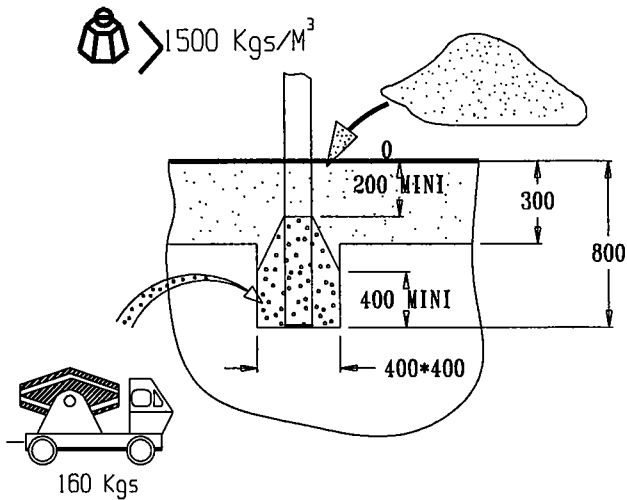
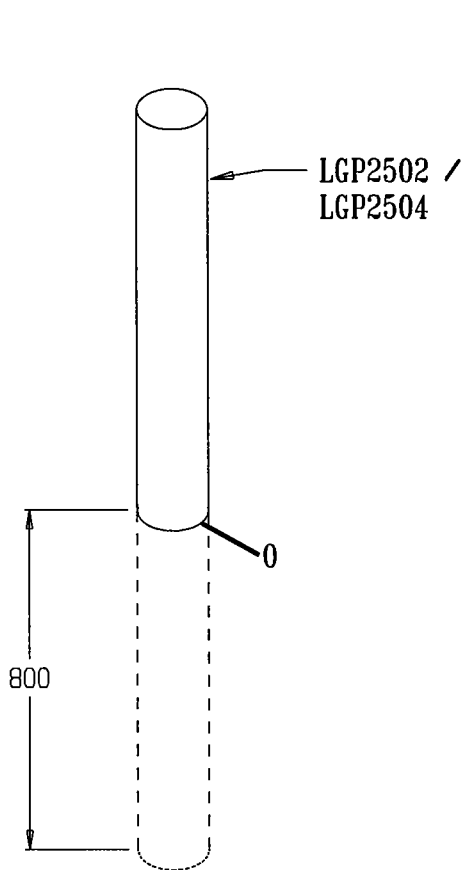


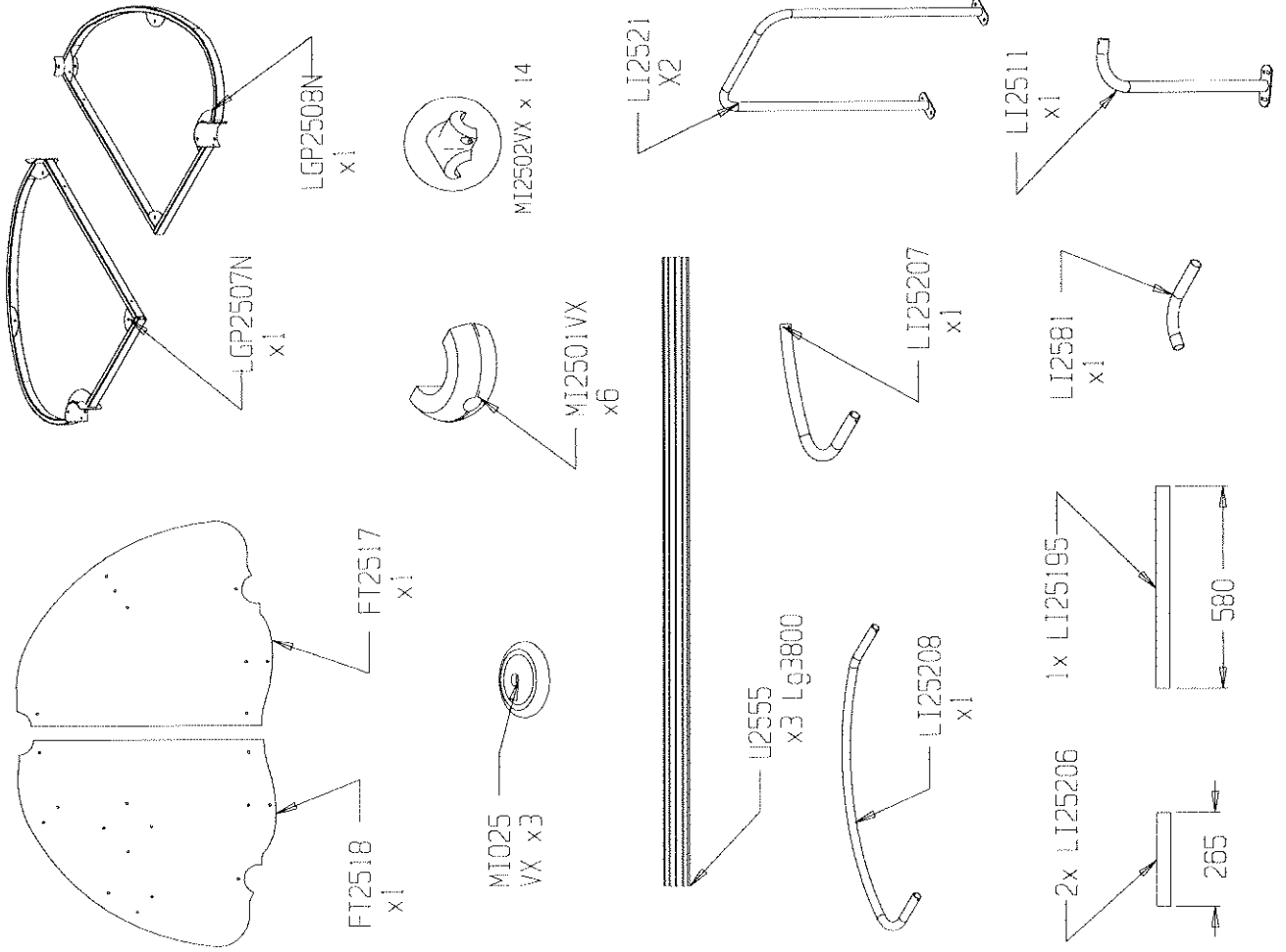
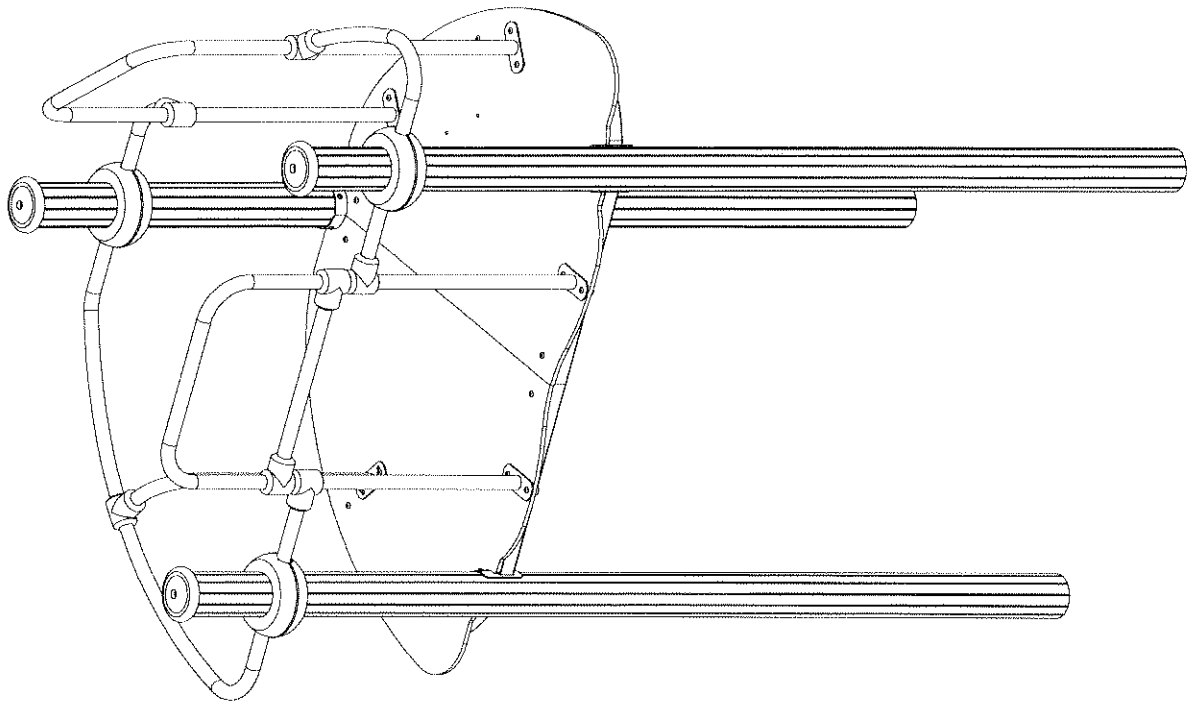
②

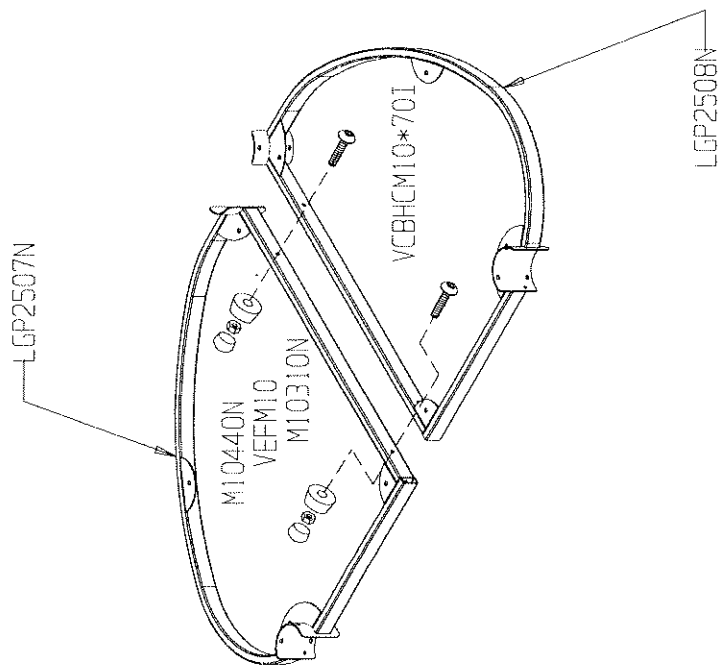


3

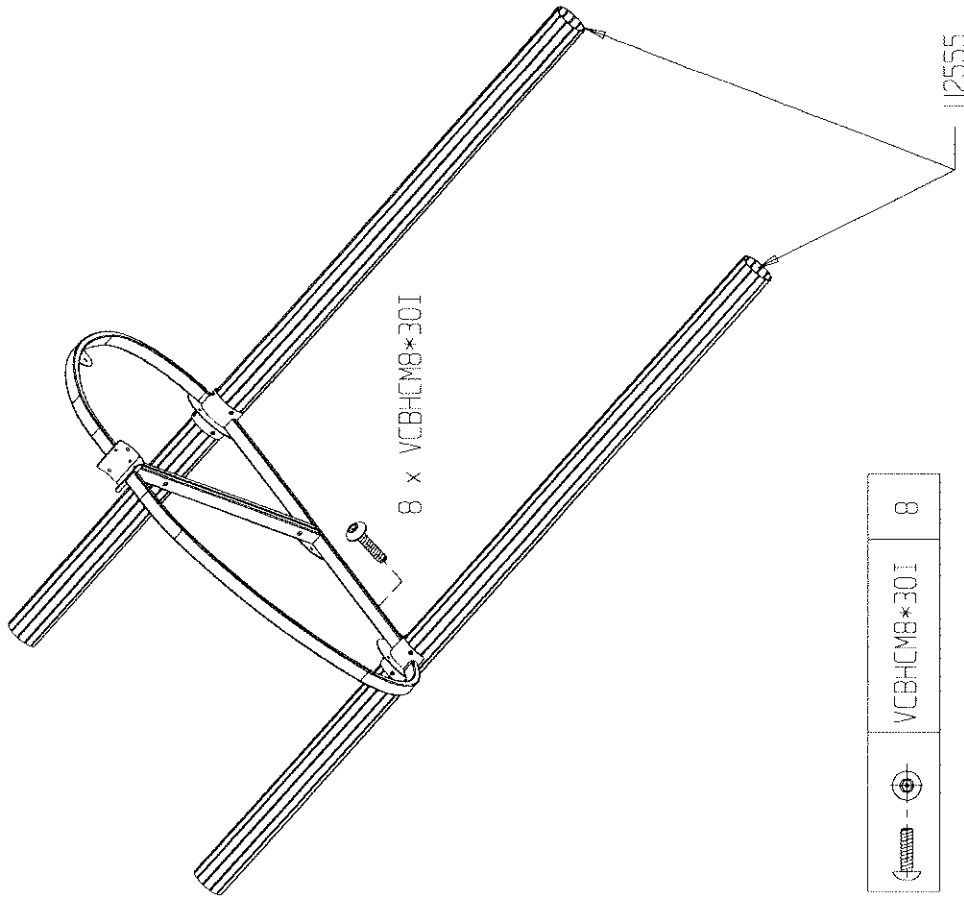








	M10310N	2
	M10440N	2
	VCBHCM10*70I	2
	VEFM10	2

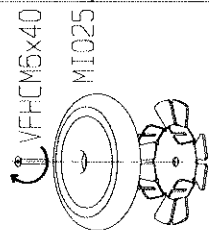


	VCBHCM8*30I	8
--	-------------	---

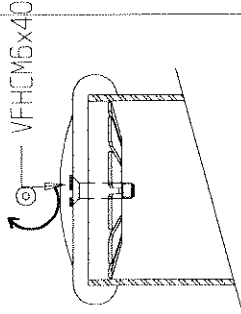
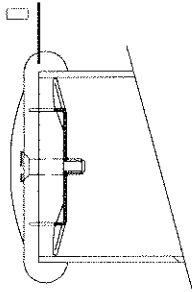
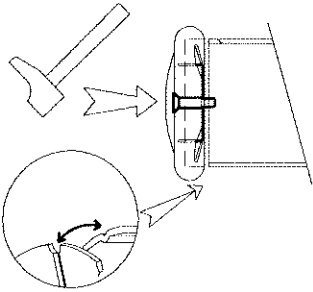
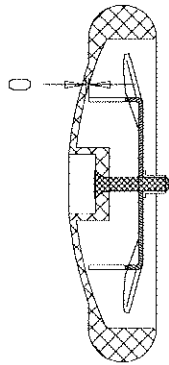
G2513M

3/5

Practical

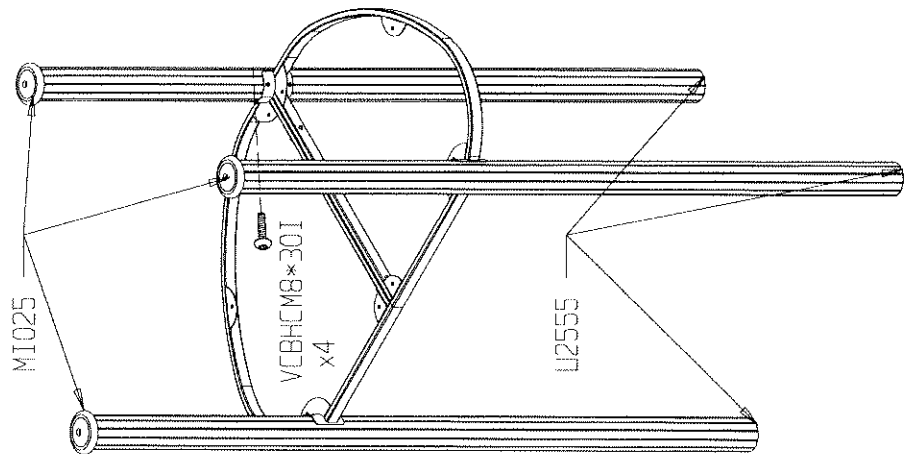
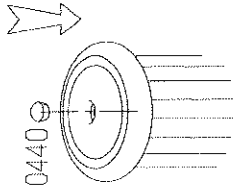


LG4412



VFHCM6x40

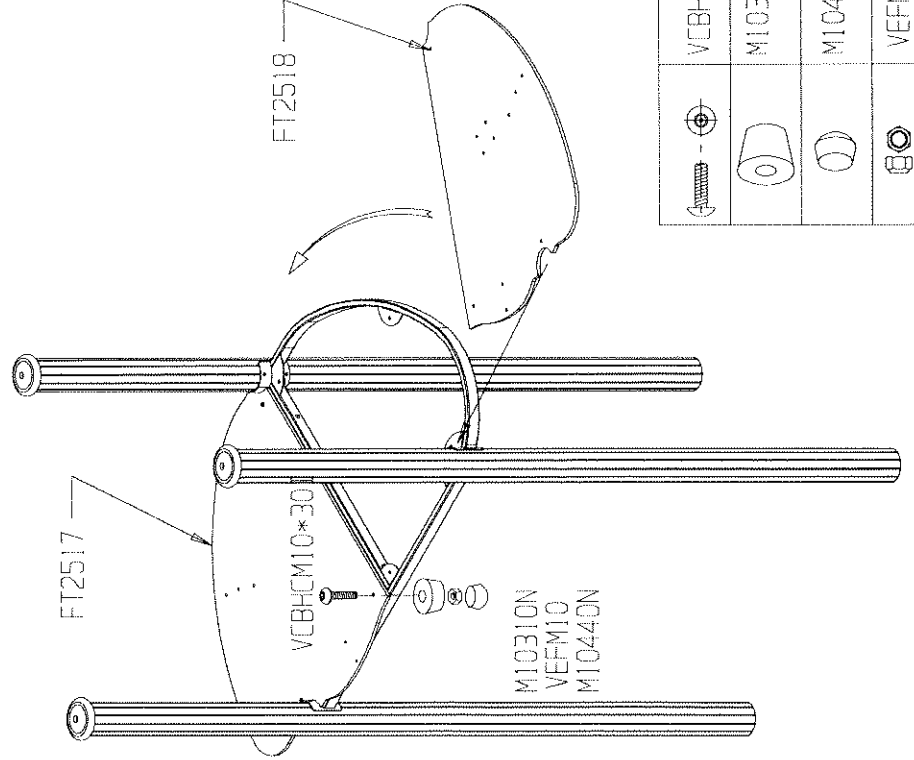
MI0440



MI025

VCBHCM8*30I
x4

LG2555



FT2517

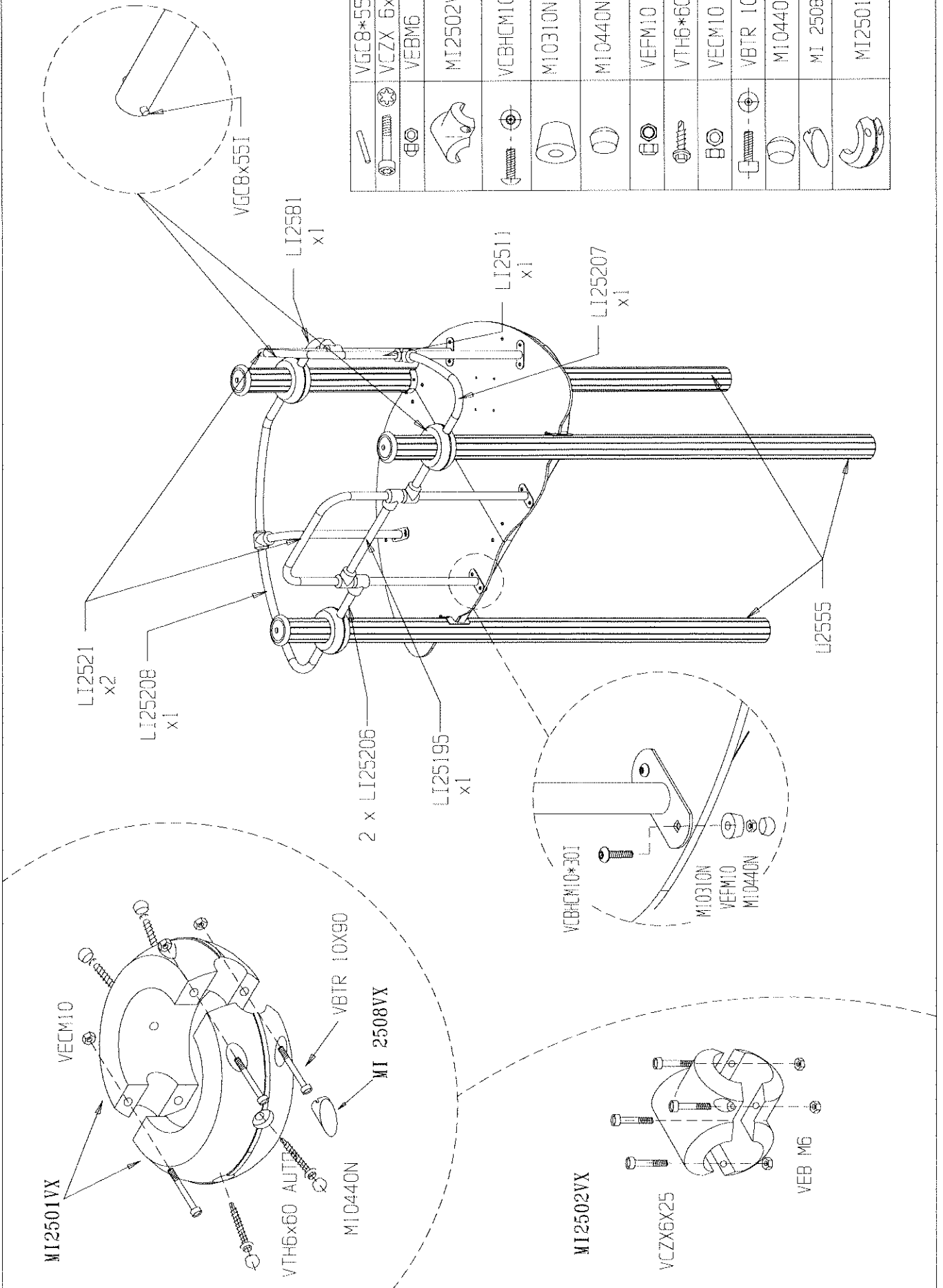
FT2518

VCBHCM10*30I

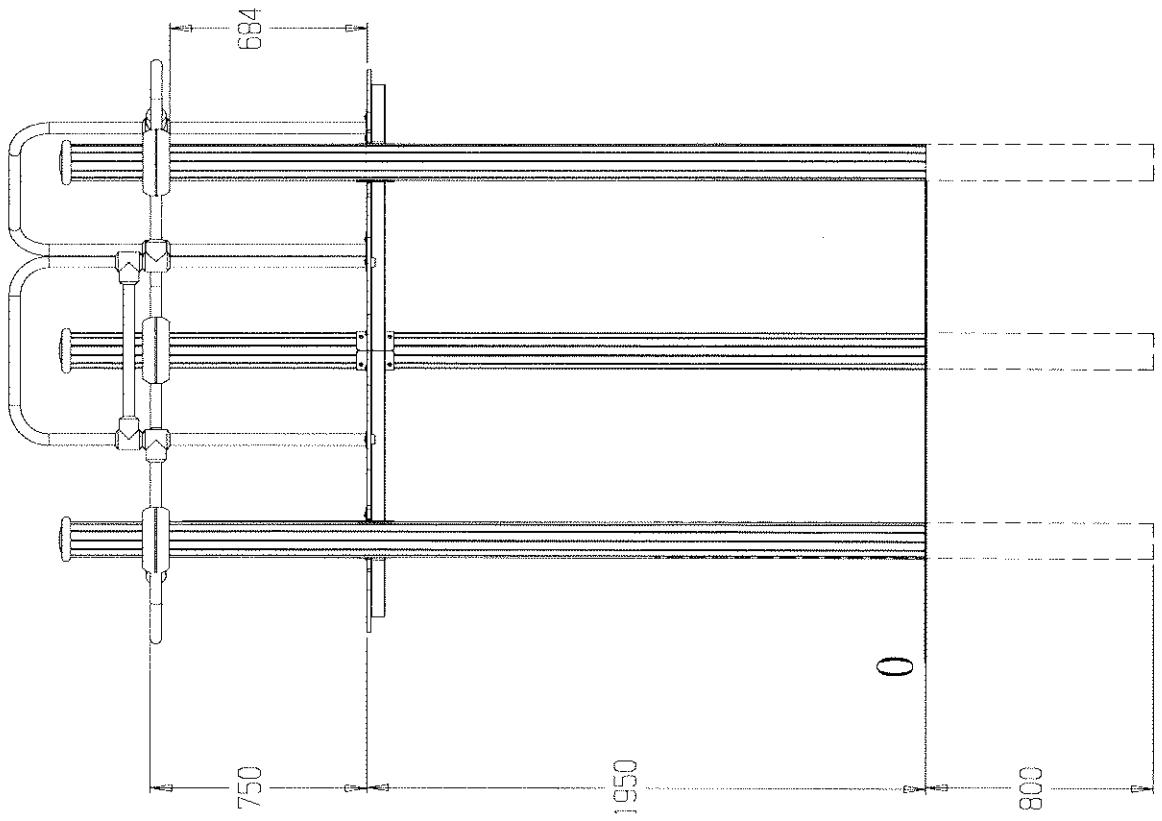
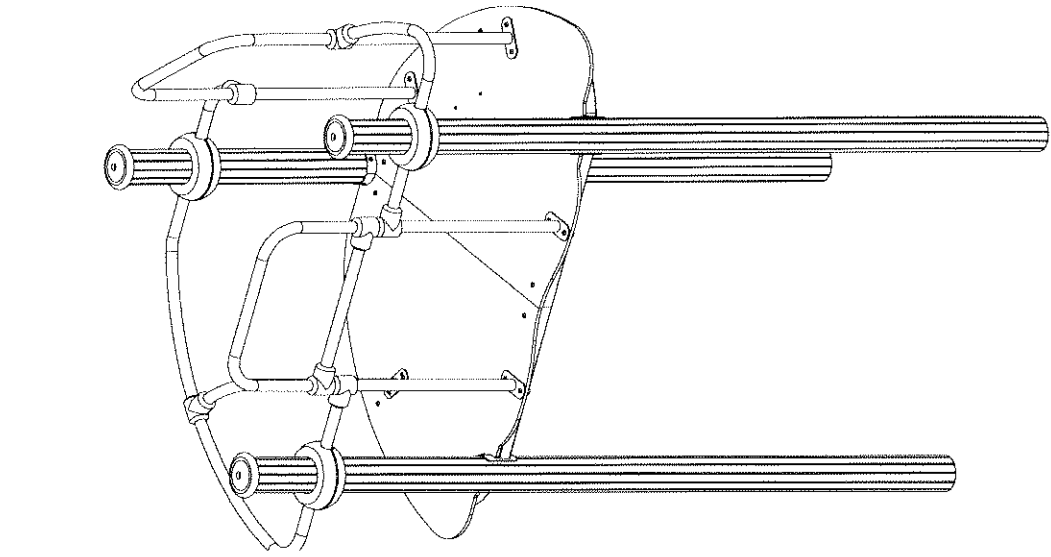
MI0310N
VEFM10
MI0440N

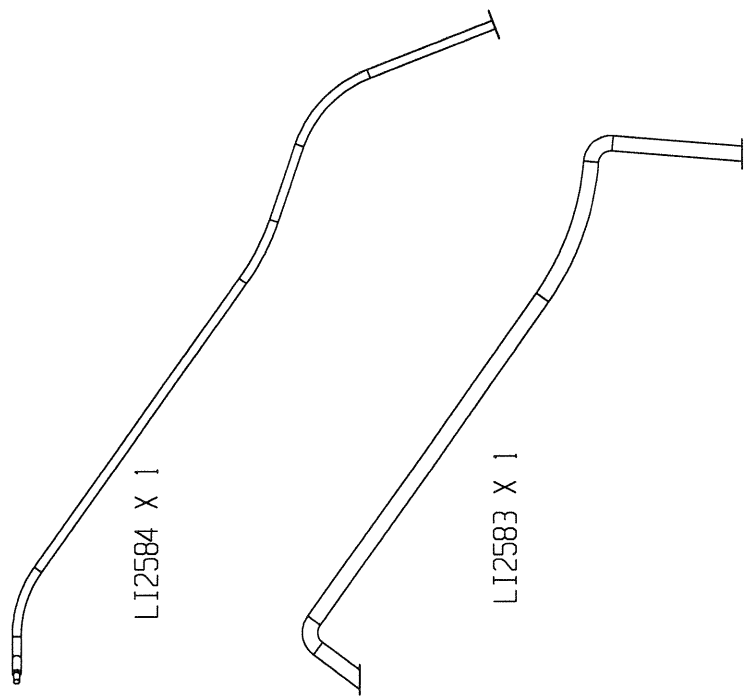
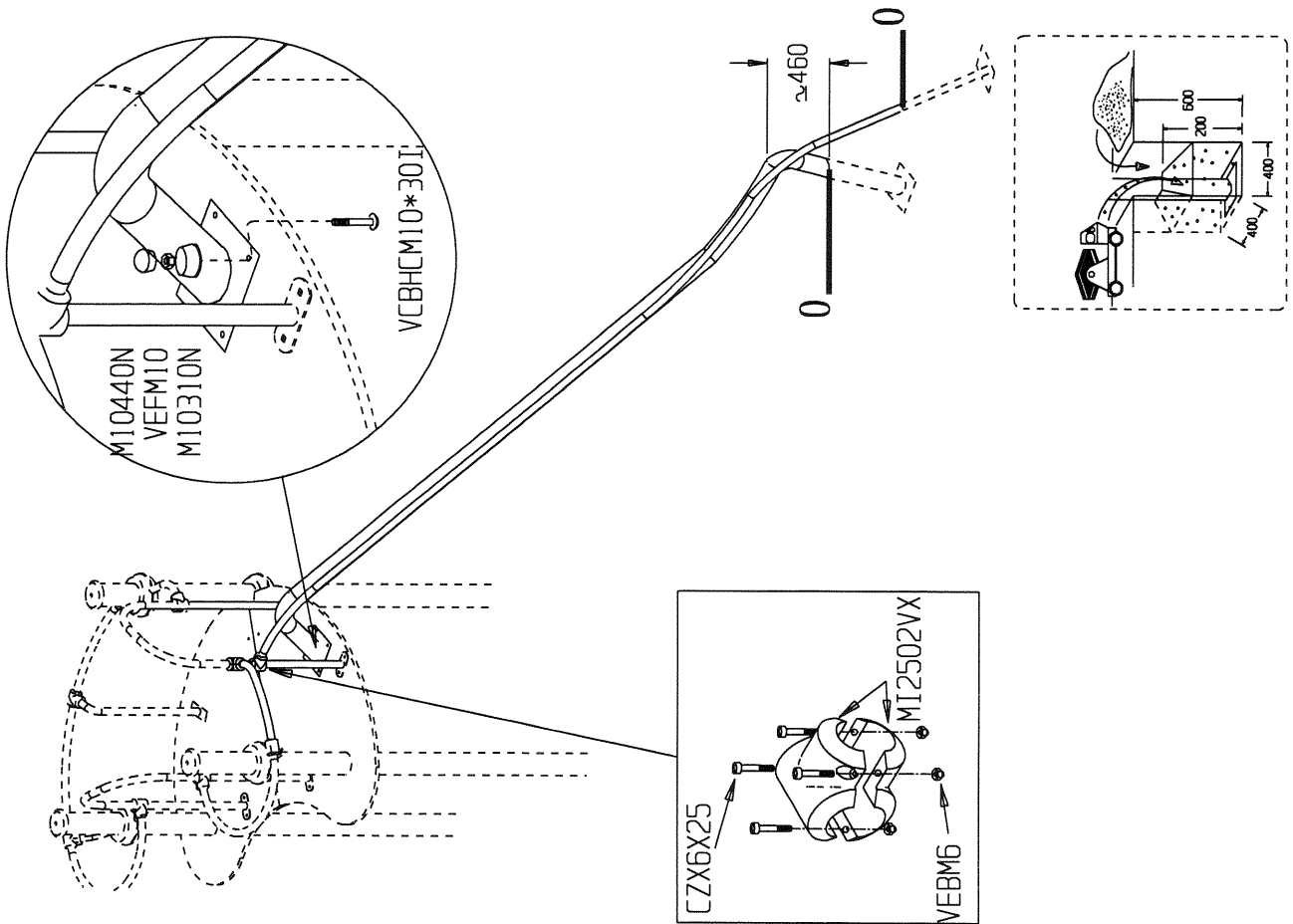
	VFHCM6x40	3
	MI 025WX	3
	MI0440N	3
	LG4412	3
	VCBHCM8*30I	4

	VCBHCM10*30I	8
	MI0310N	8
	MI0440N	8
	VEFM10	8



	VGC8*55I	4
	VCZX 6x25	28
	VEBM6	28
	MI2502VX	14
	VCBHC10*30I	10
	M10310N	10
	M10440N	10
	VEFM10	10
	VTH6*60 AUTTC	12
	VECM10	12
	VBTR 10x90	12
	M10440N	12
	MI 2508VX	24
	MI2501VX	6

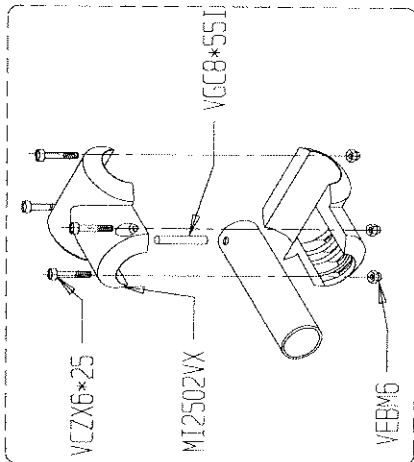




	VEFM10	4
	VCBHC10*30I	4
	VCZX 6x25	4
	VEBM6	4
	M10310N	4
	M10440N	4

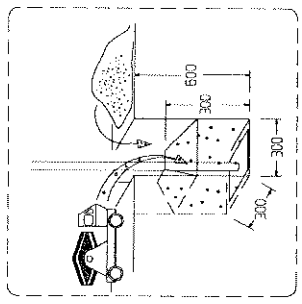
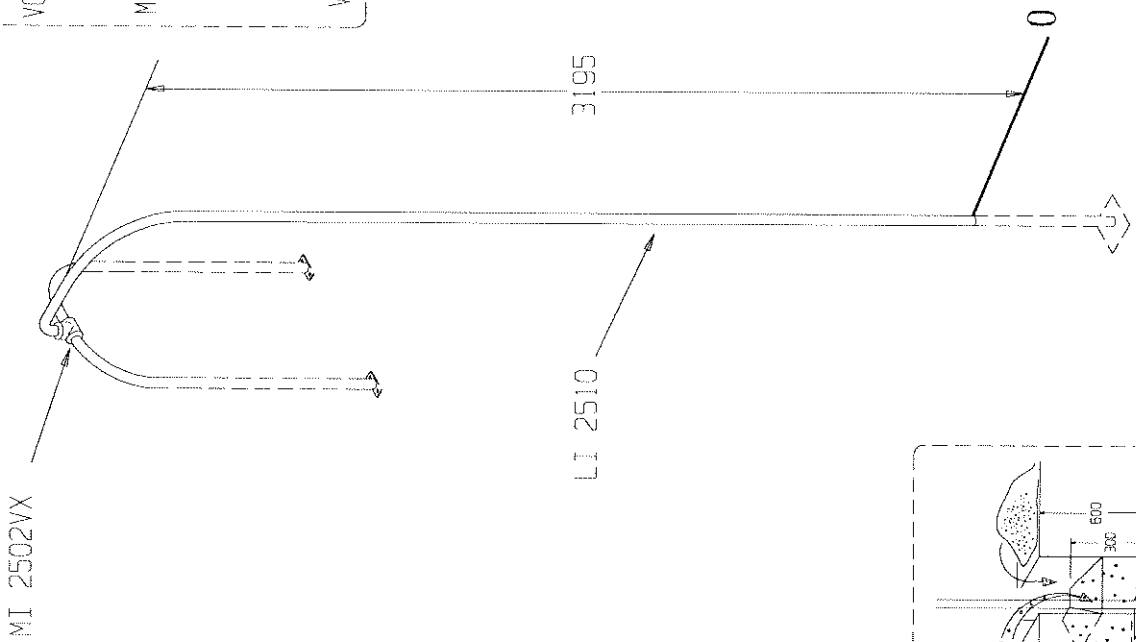


MI2502VX X 2

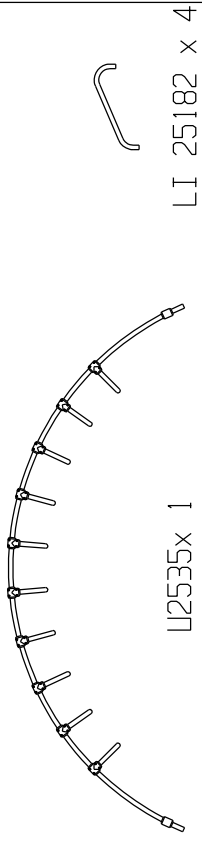
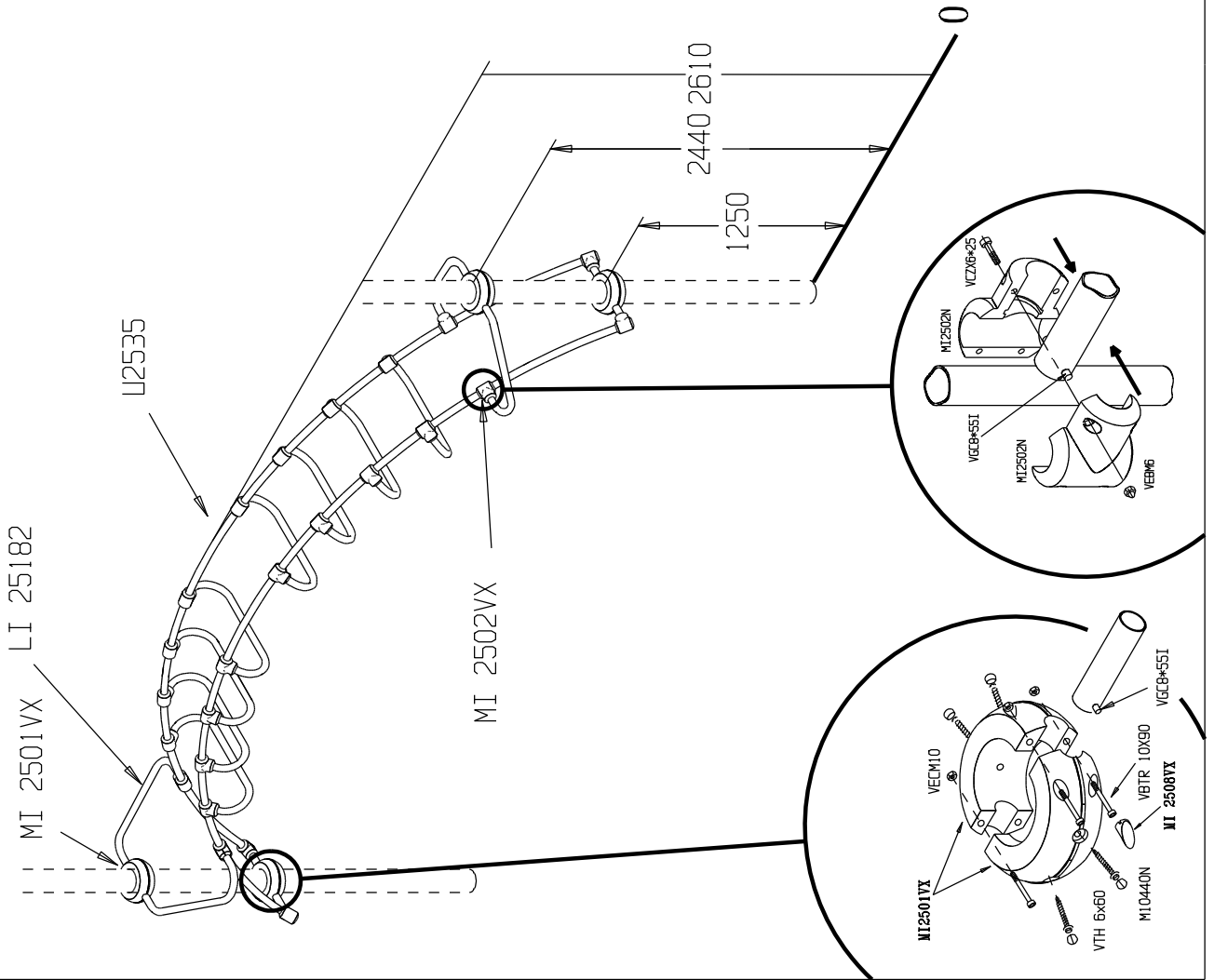


MI2502VX X 2

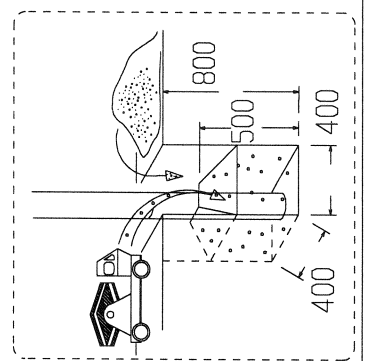
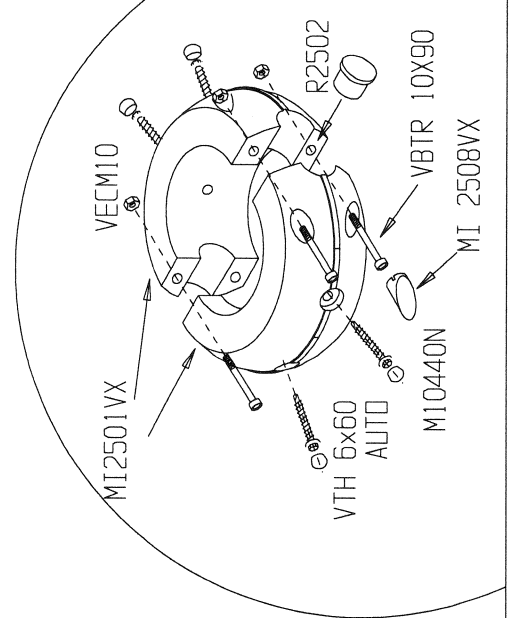
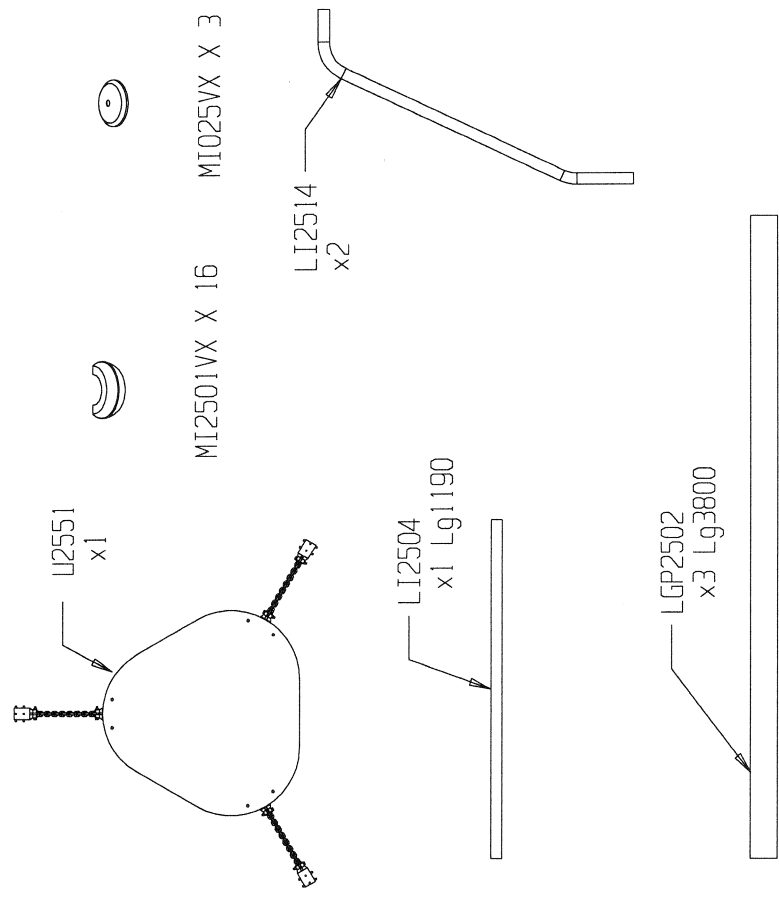
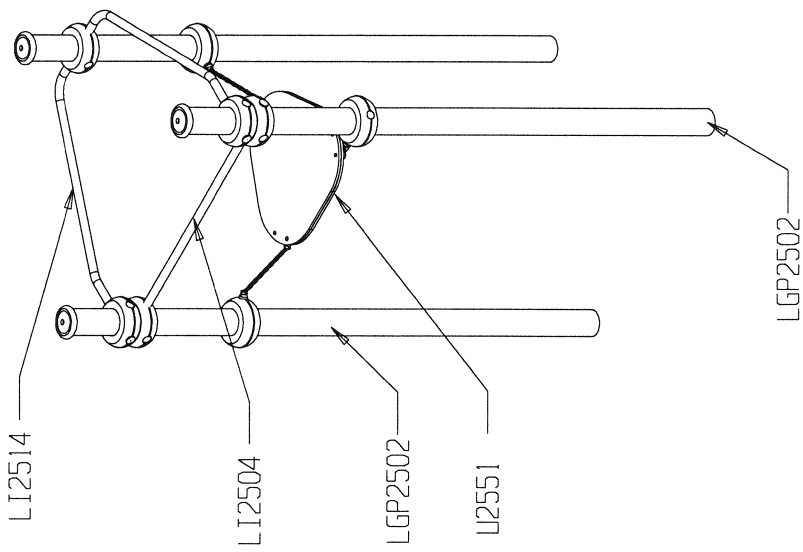
LI2510 X 1
Lg 3795



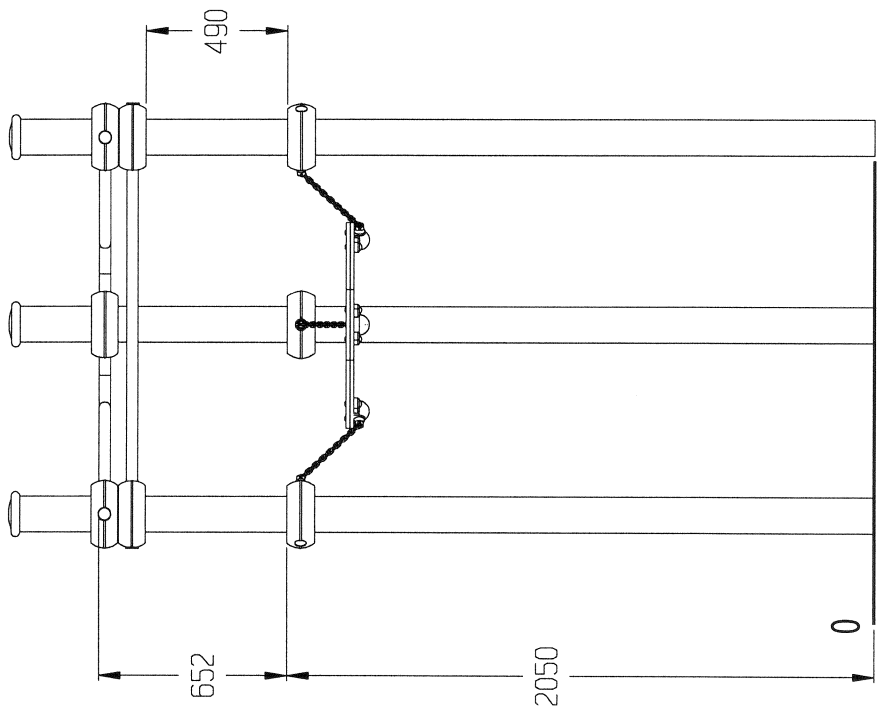
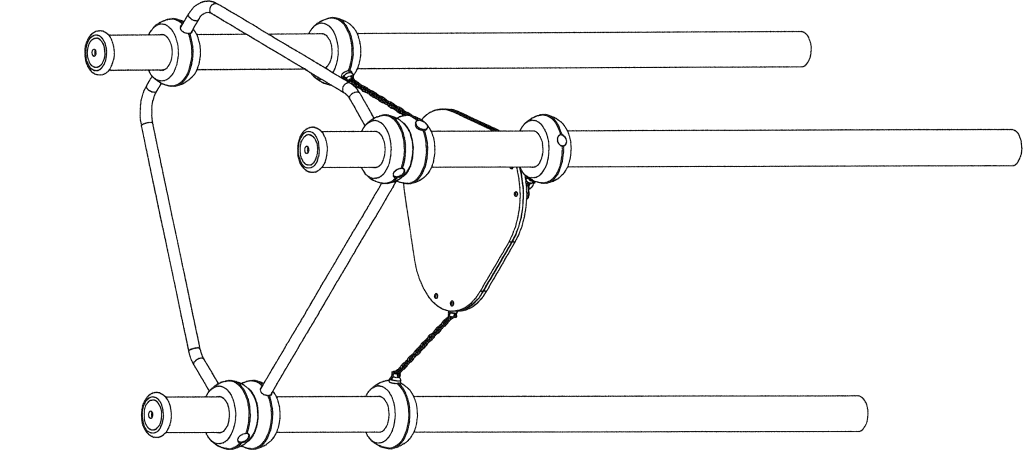
	VGB 8*55I	1
	VCZX 6x25	4
	VEBM 6	4

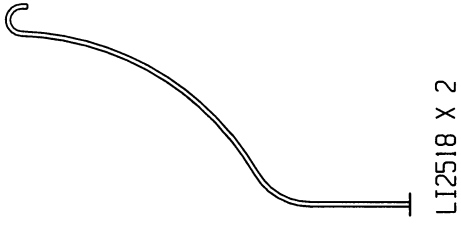
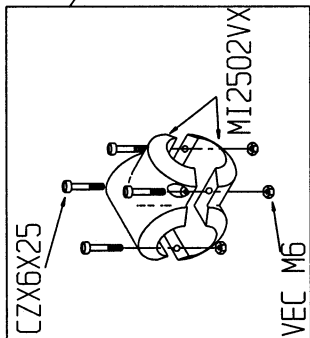


	VECB*55I	12
	VTH6x60 AUTO	16
	VBTR 10x90	16
	VCZX 6x25	16
	M10440N	16
	VECM10	16
	VEBM6	16
	MI 2508VX	32



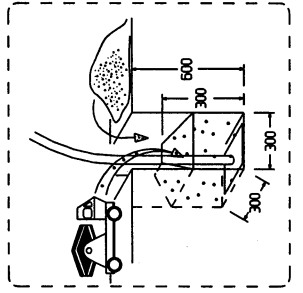
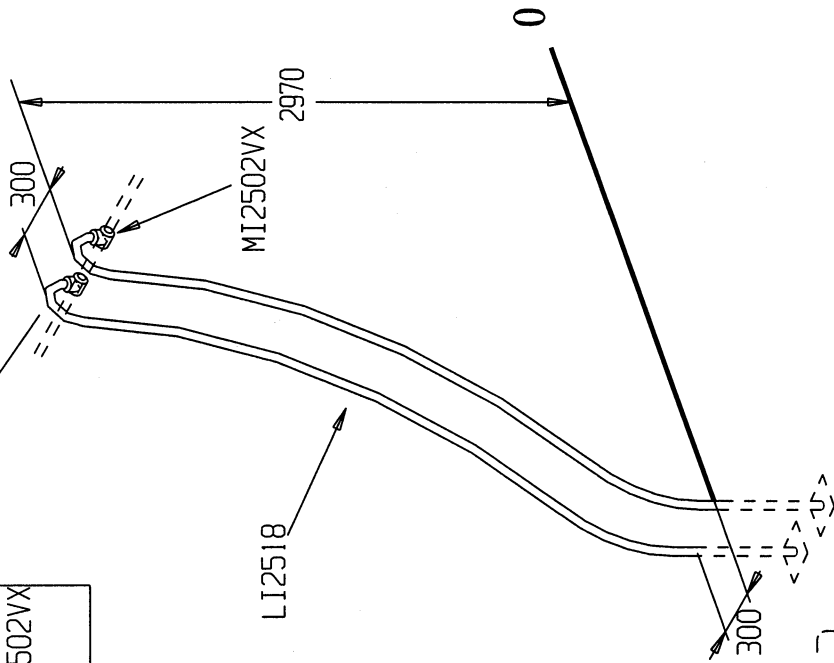
	VFHC6x40	3
	VTH6*60 AUTO	32
	VBTR 10x90	32
	M10440N	35
	R 2502	7
	MI 2508VX	64
	VECM10	32
	LG4412	3

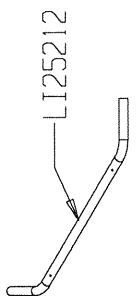
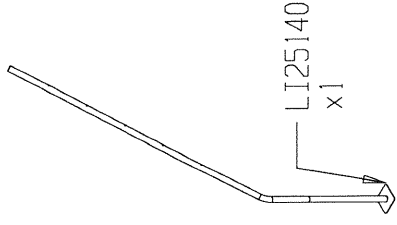
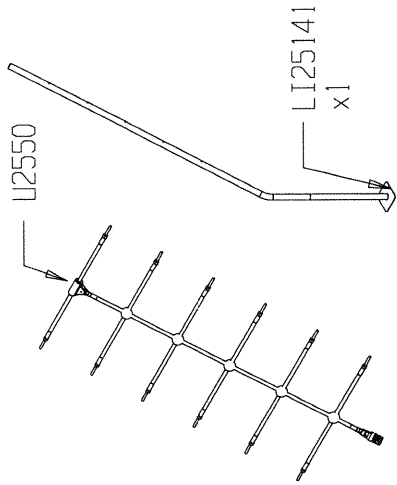
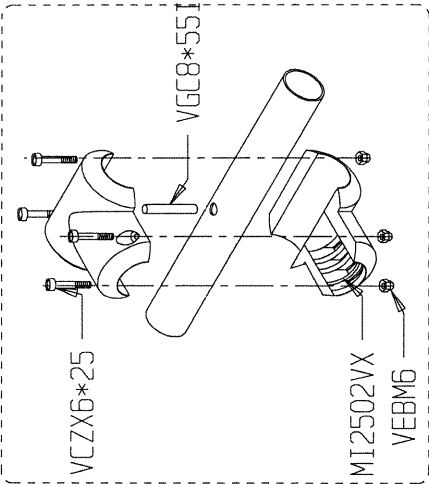
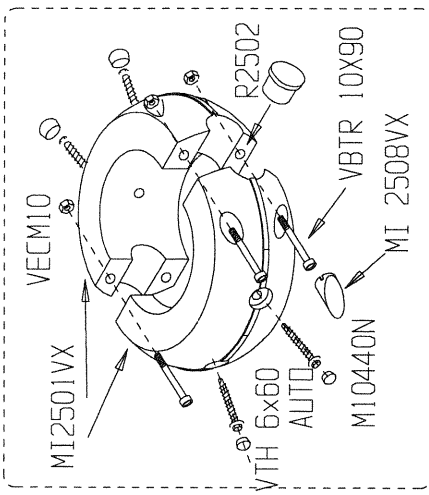
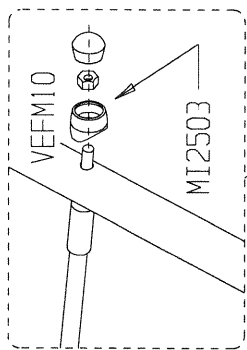




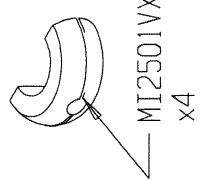
MI2502VX X 4

⊕	VECM6	8
⊕	VCZX 6x25	8

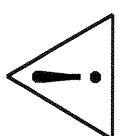




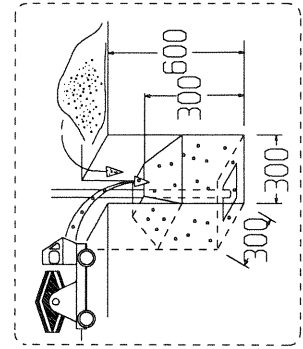
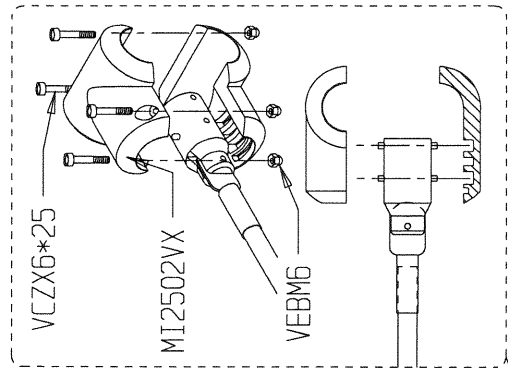
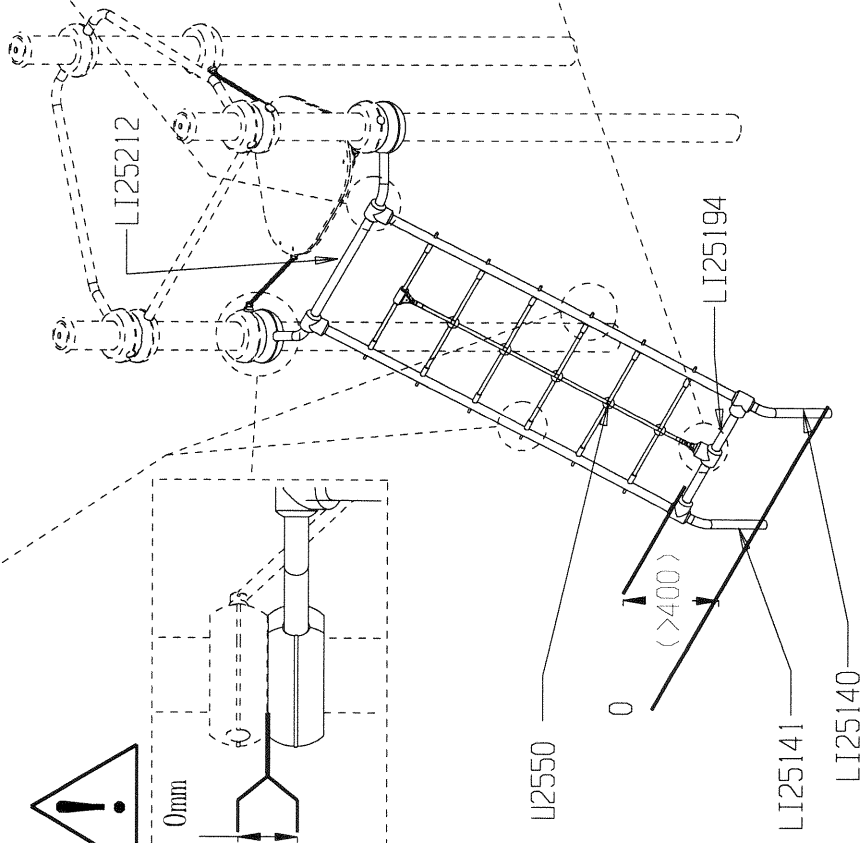
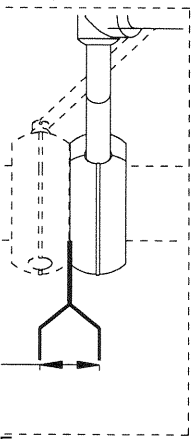
MI2502VX x 10



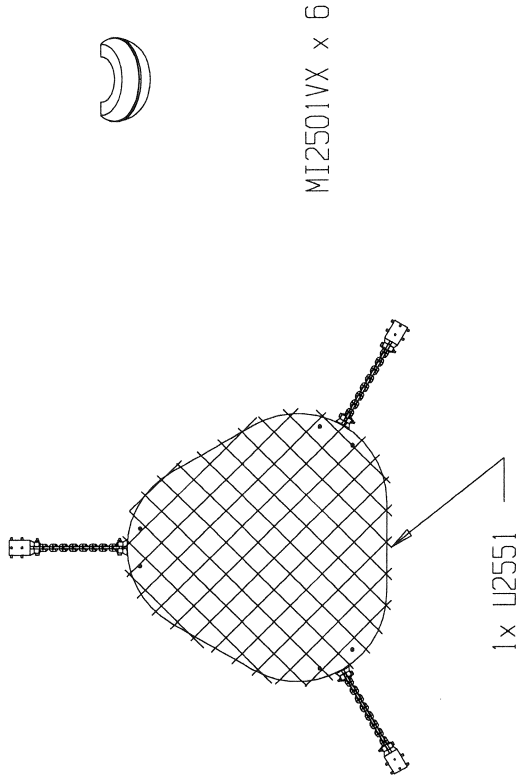
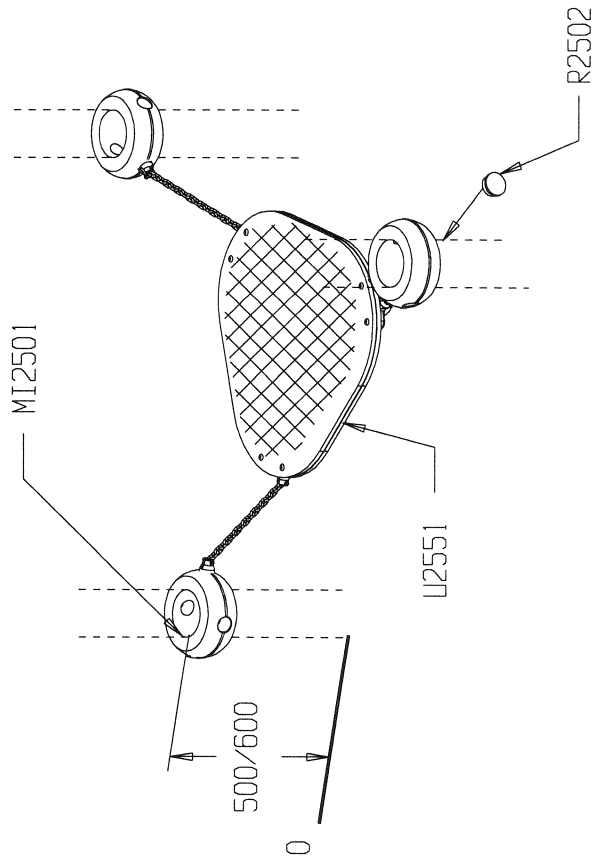
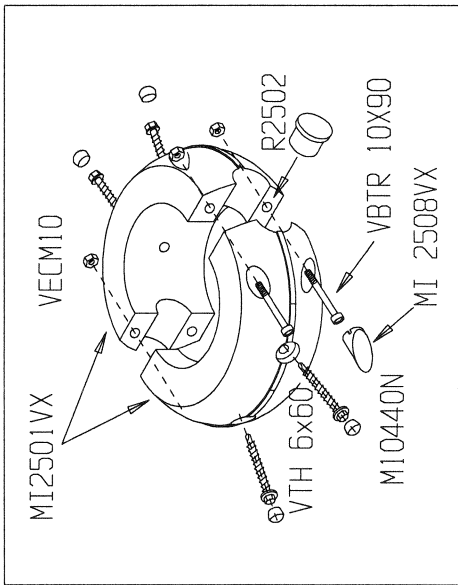
MI2501VX x 4



X = 0mm

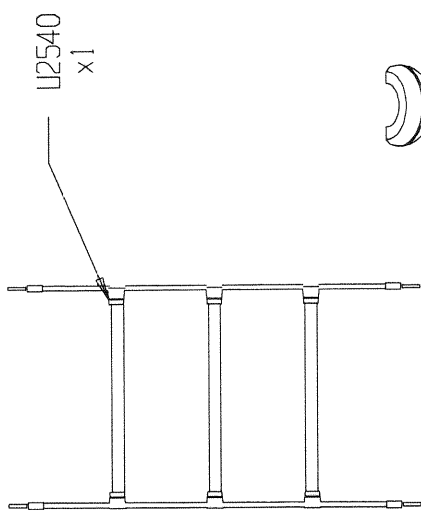
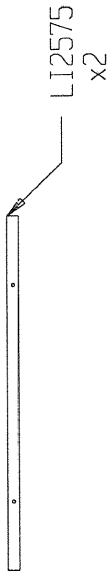
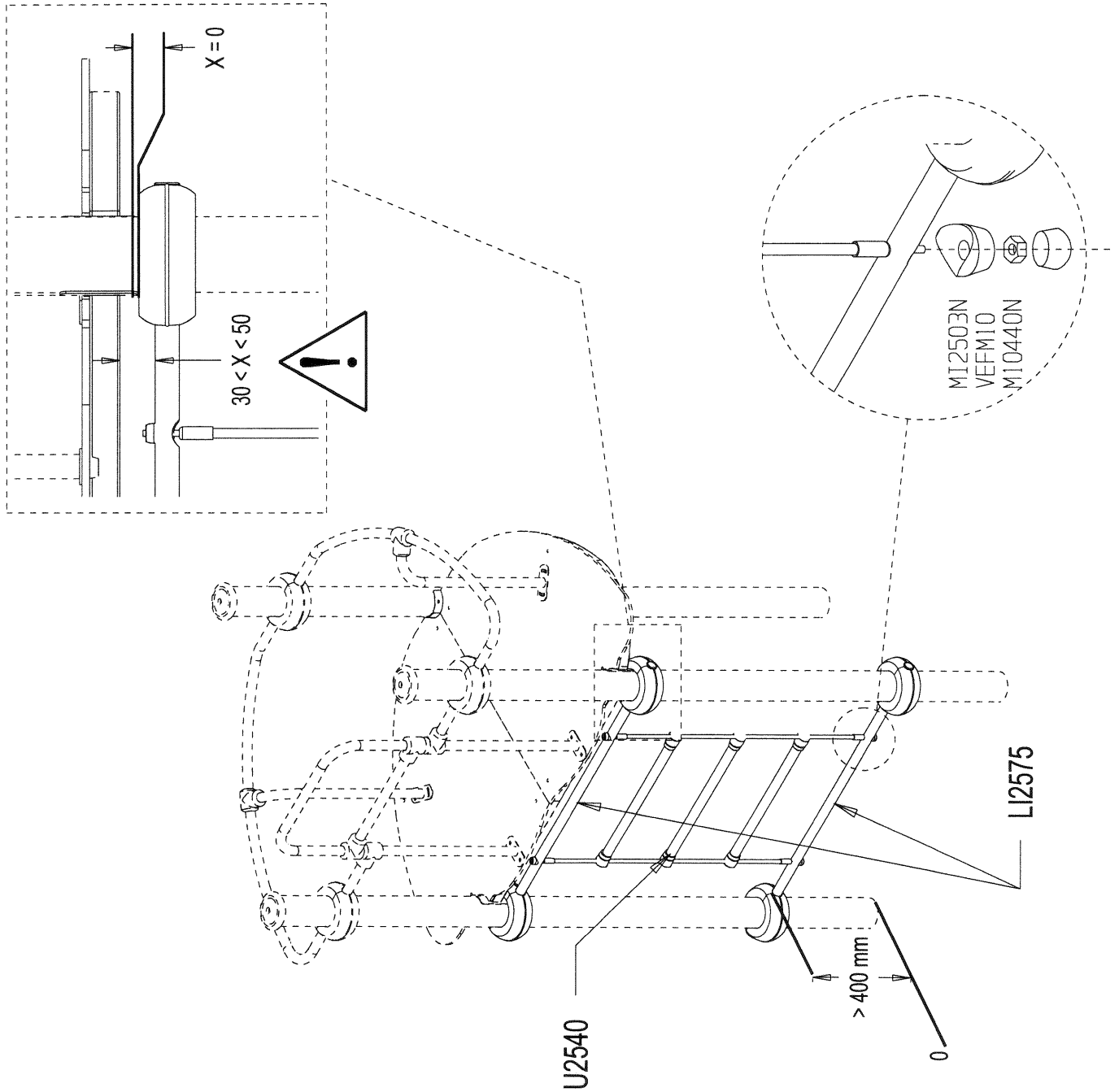


	R 2502	2
	VTH 6x60 AUTO	8
	VECM10	8
	VBTR 10x90	8
	M10440 N	8
	MI 2508VX	16
	VGC8*55I	2
	VCZX 6x25	20
	VEBM6	20
	M10440 N	12
	MI2503 N	12
	VEFM10	12



MI2501VX x 6

	VTH6x60 AUTO	12
	VEC M10	12
	VBTR 10x90	12
	M10440N	12
	MI 2508VX	24
	R 2502	3



MI2501VX x 8

	VECM10	16
	VBTR 10x90	16
	VTH 6x60 AUTO	16
	MI2503 N	4
	M10440 N	20
	VEFM10	4
	MI 2508VX	32
	R 2502	4