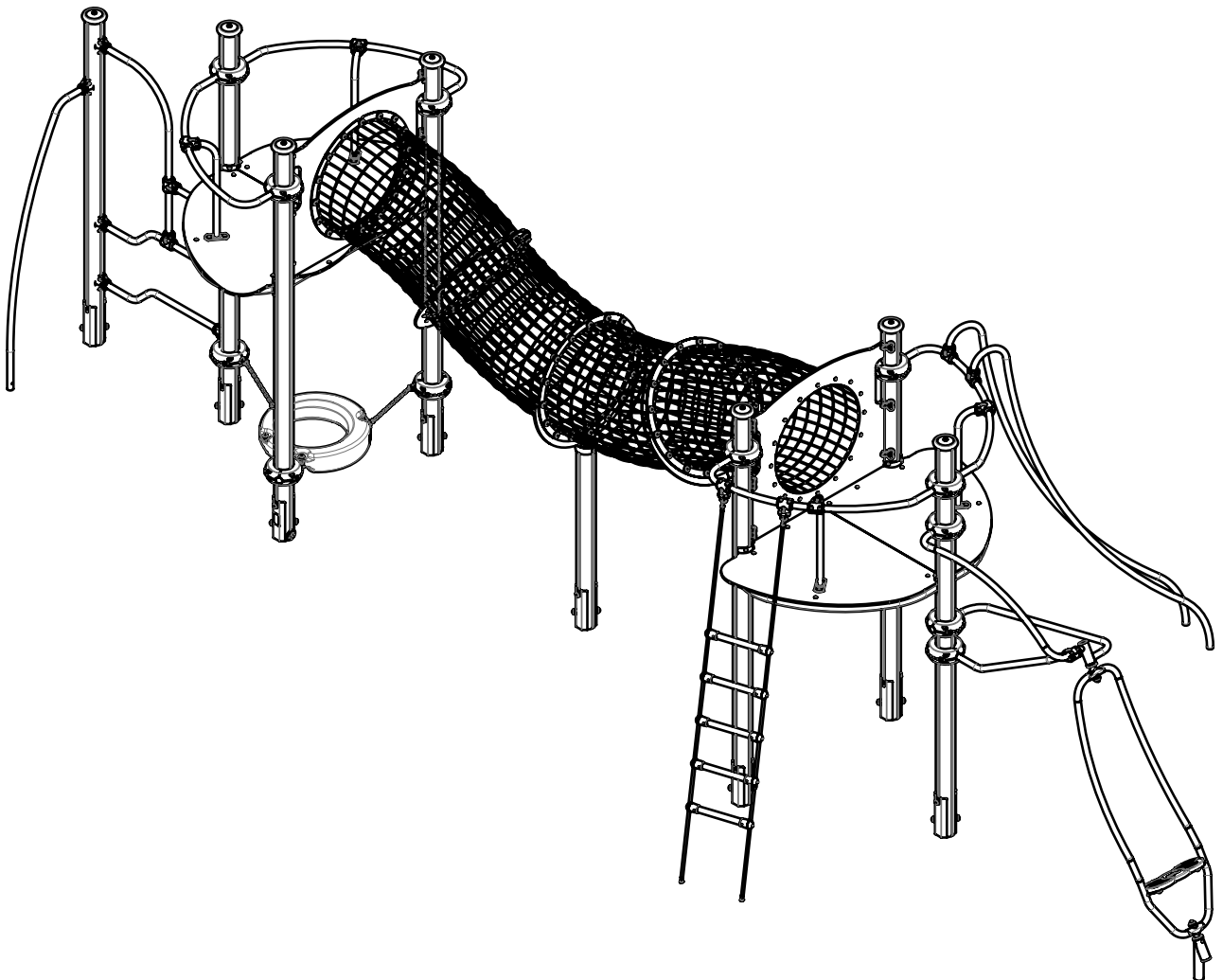


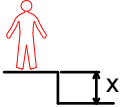
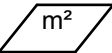
J2579

Proludic





Pro ludic

N°		
1	0.6 m	3.5 m ²
2	0.7 m	7 m ²
3	1.95 m	63.5 m ²

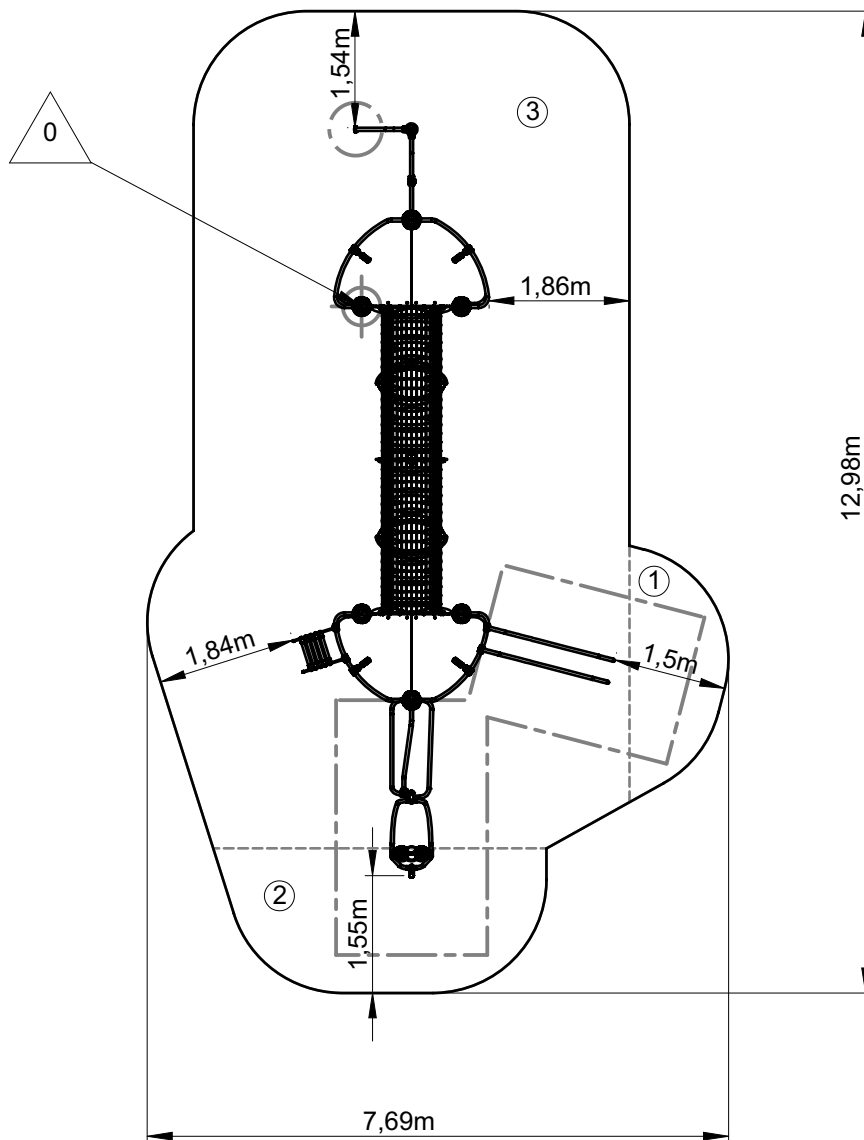
— Zone d'impact
Impact area
Area de impacto
Fallraum
Valzone

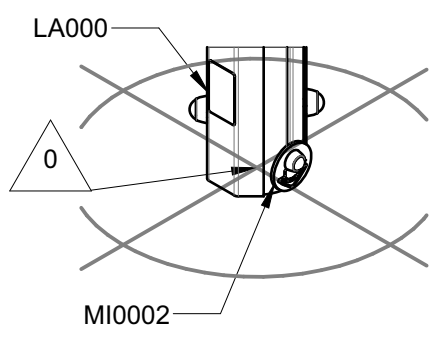
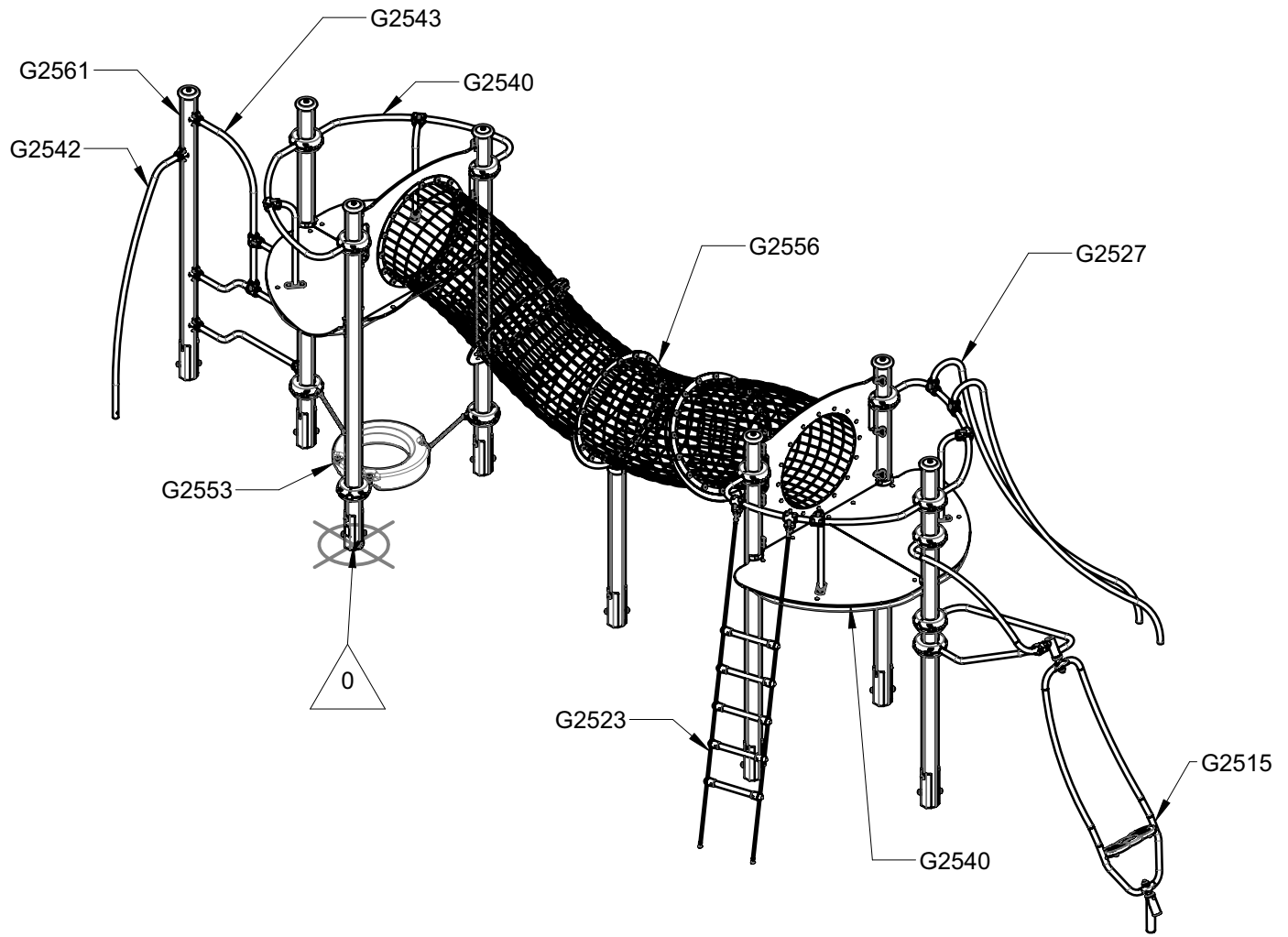


Point de référence
Setting out point
Punto de referencia
Bezugspunkt
Referentiepunt

- - - Espace libre
Free space
Espacio libre
Freiraum
Vrije ruimte

EN1176-1 : 2017

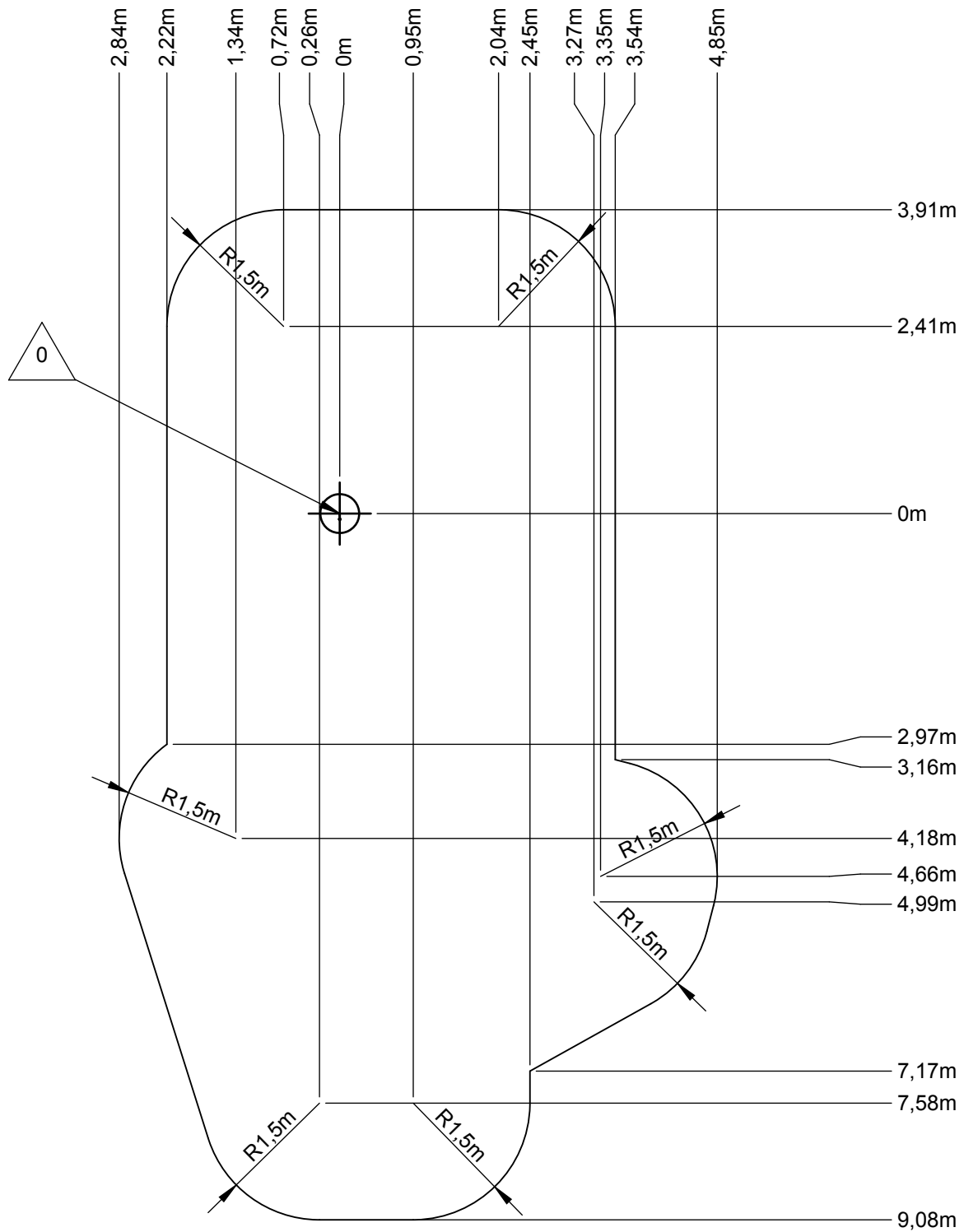




G2515	1
G2523	1
G2527	1
G2540	2
G2542	1
G2543	1
G2553	1
G2556	1
G2561	1
LA000	1
M8310N	1
M8440N	1
MI0002	1
VTF10x60	1

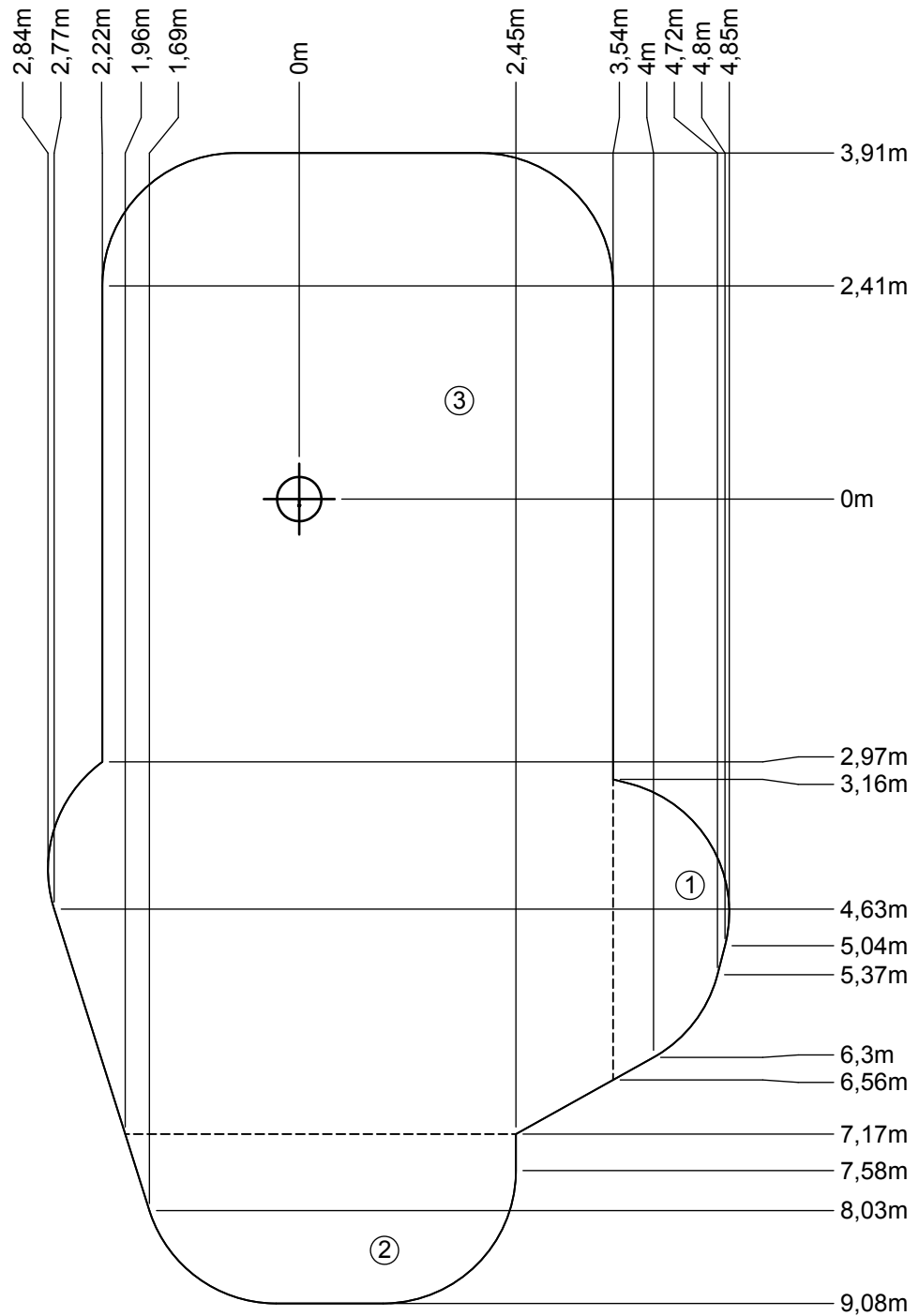
— Zone d'impact
 Impact area
 Area de impacto
 Fallraum
 Valzone

74 m²



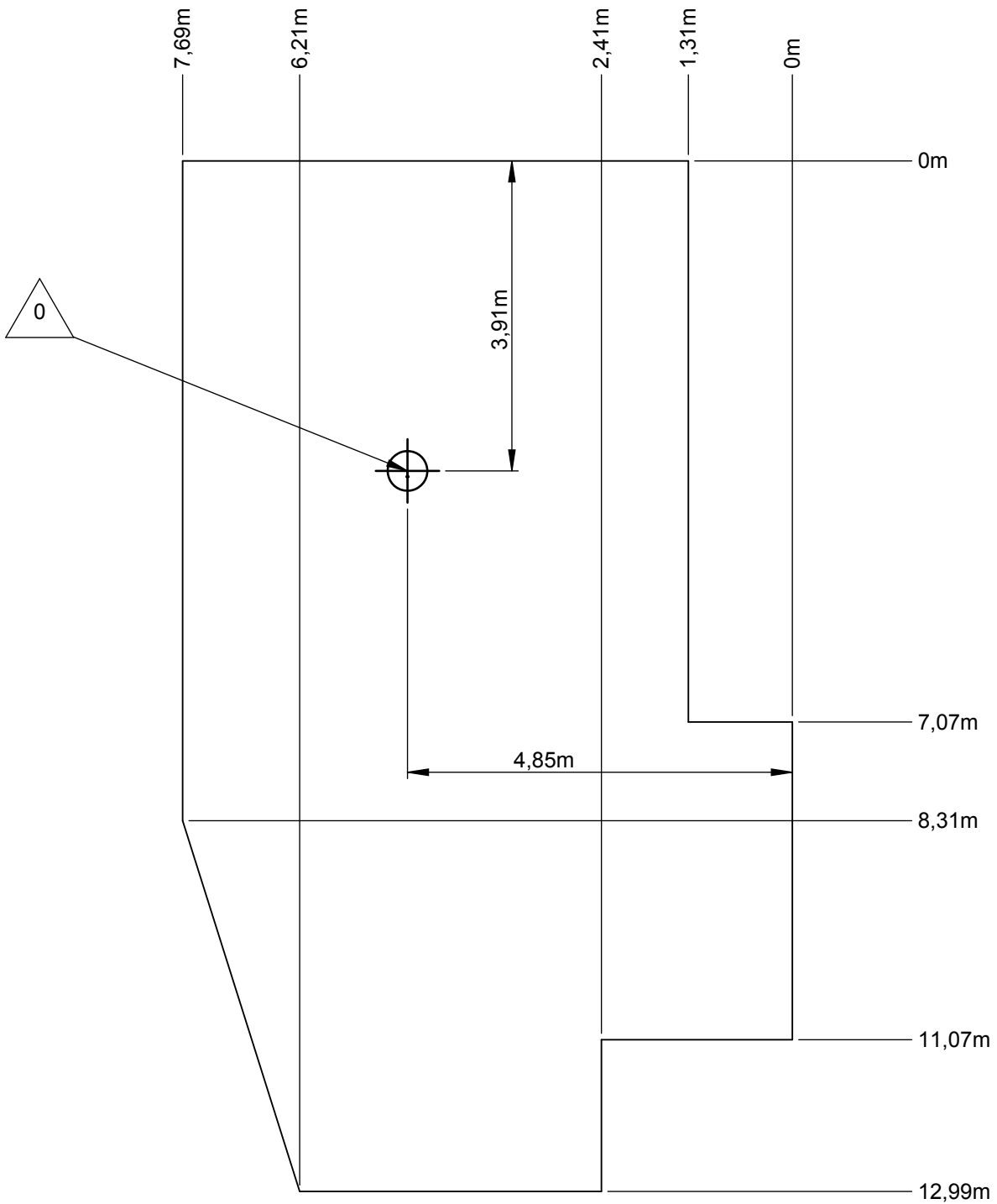
— Sol souple
 — Wetpour
 — Caucho continuo
 — Synthetischer fallschutz
 — Gietvloer

74 m²

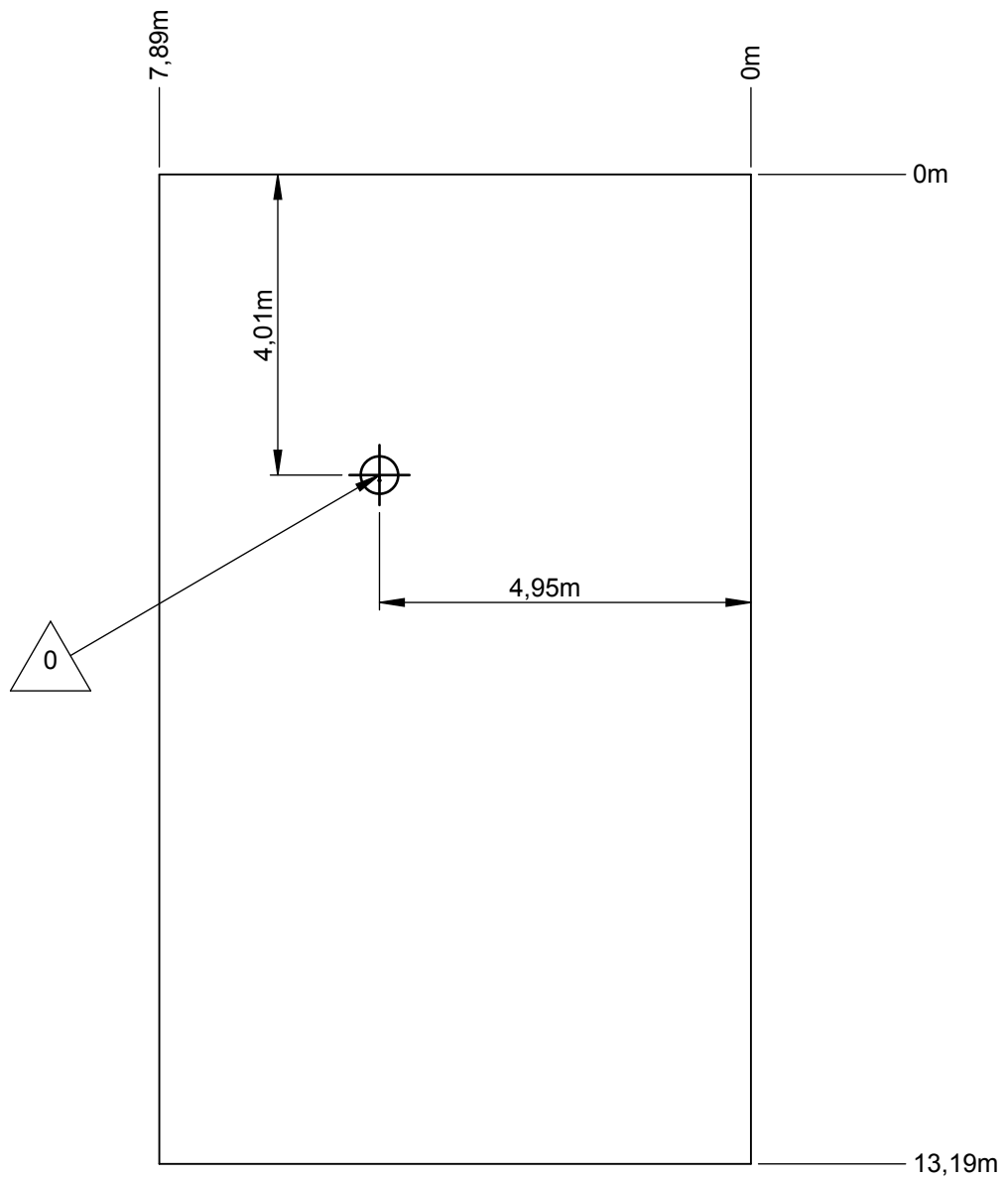


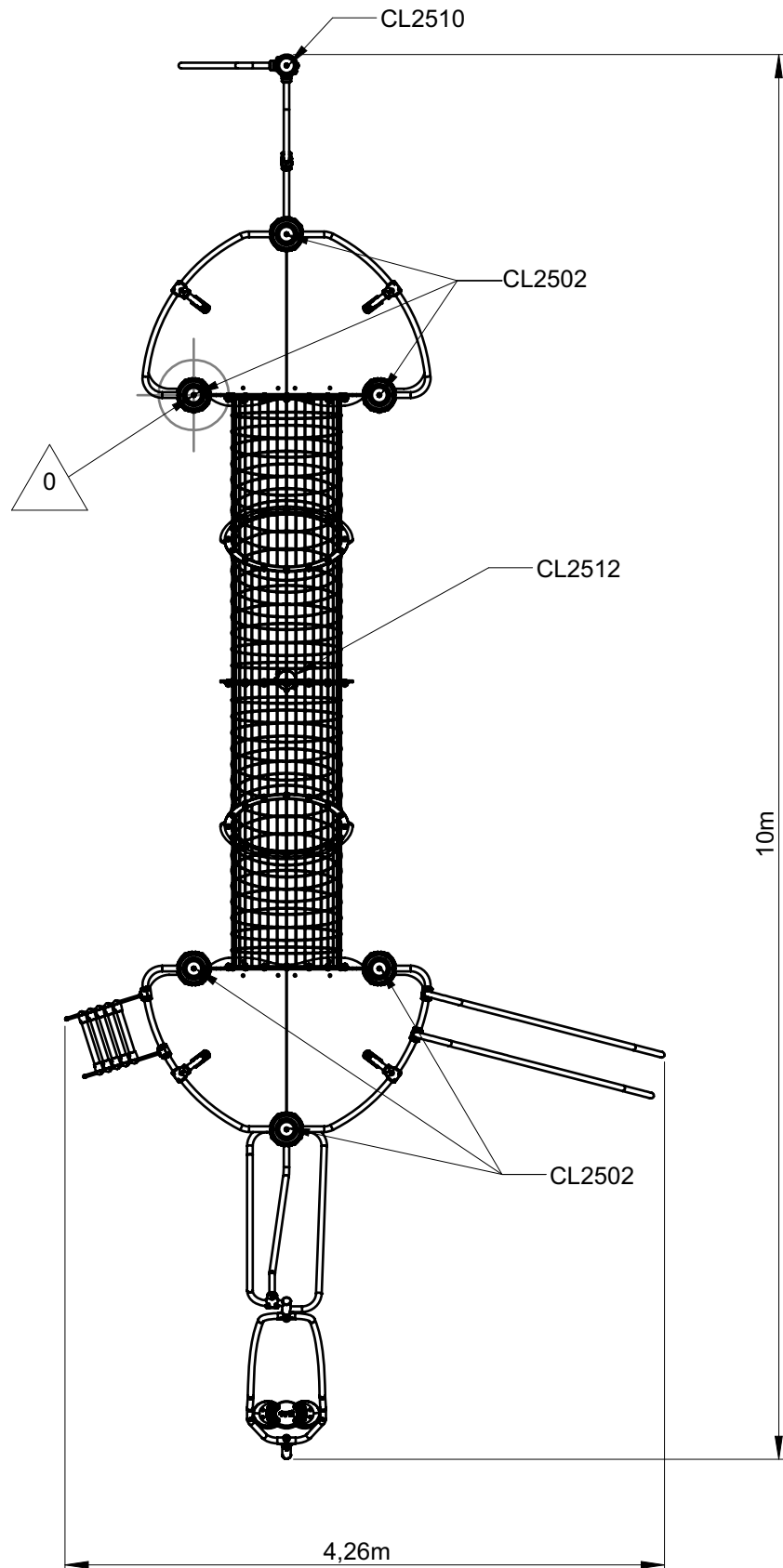
— Dalle béton
 Concrete pad
 Solera de hormigon
 Beton bodenplatte
 Betonnen bodemlaai

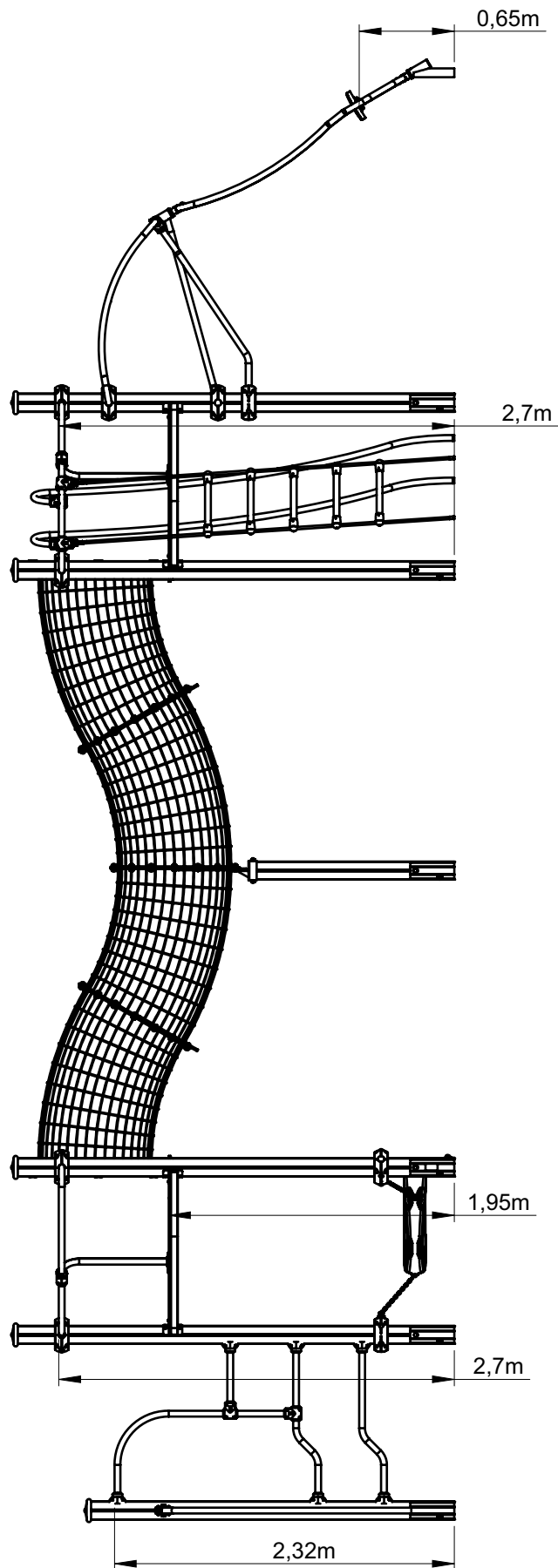
40 m
 83 m²



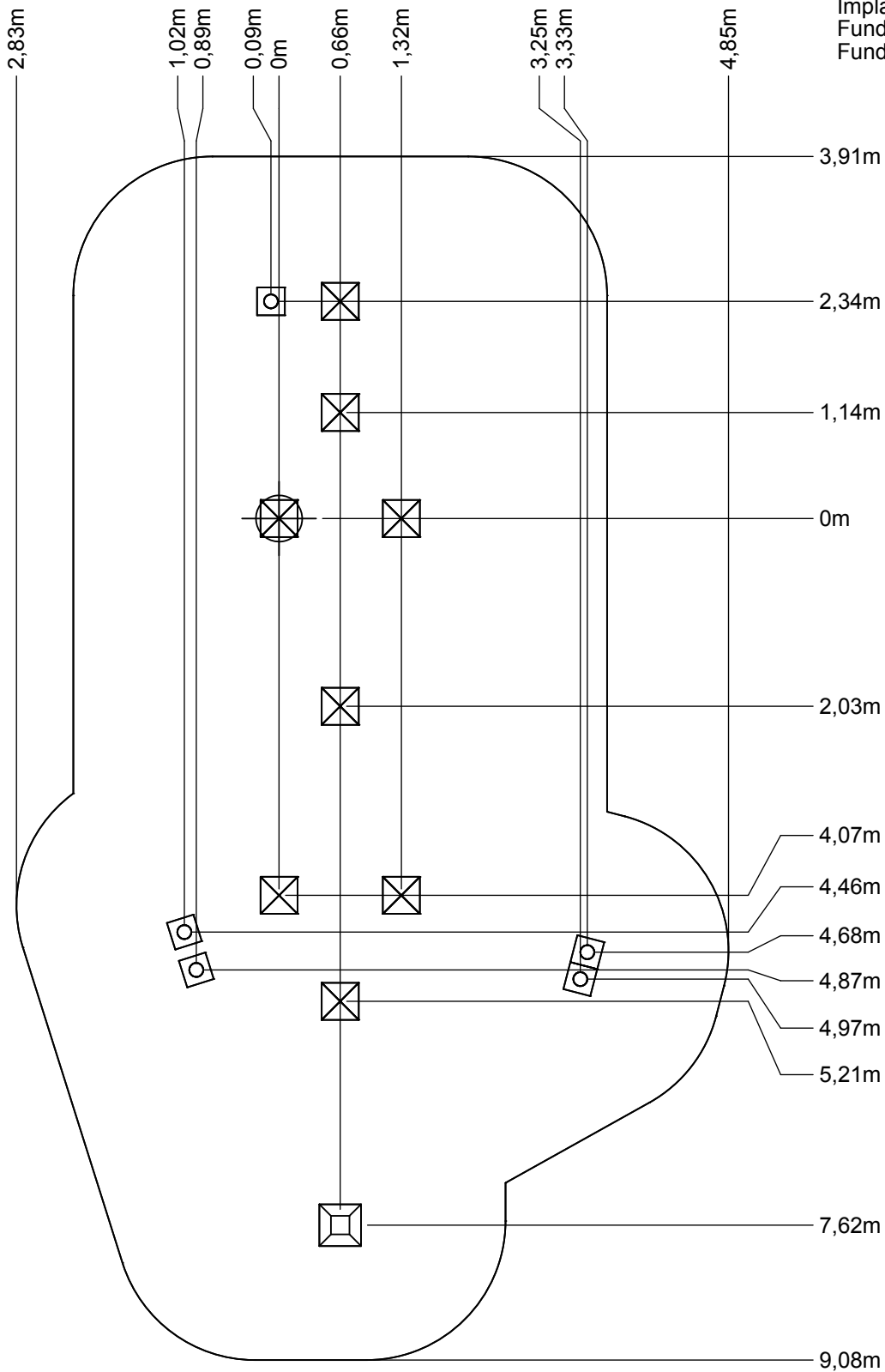
— Sol fluent
Loos partucule material 43 m
Arenero
Loses Bodenmaterial 104 m²
Los bodemmaterial






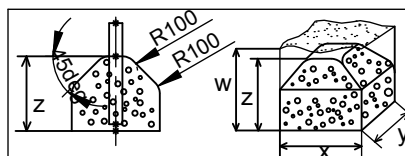







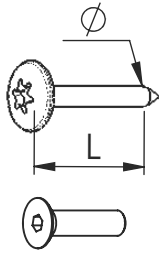
Implantation
 Footing plan
 Implantación
 Fundamentplan
 Funderingstekening



 x2
  7H
  1 m³

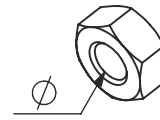


	x	y	z	w
	0.3	0.3	0.3	0.6
	0.4	0.4	0.3	0.7
	0.45	0.45	0.4	0.8

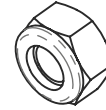


VBT 6 x 30
 \varnothing \uparrow L (mm)

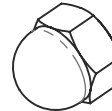
VFHC



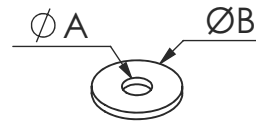
VEC M10
 \varnothing




VEF




VEB



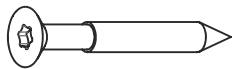
VR6x18
 $\varnothing A$ $\varnothing B$



1000 - 1800 tr/min
 Vitesse de rotation
 Rotation speed



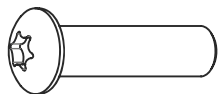
14 N.m
 Couple de rupture
 Torque of break



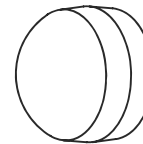
VWT



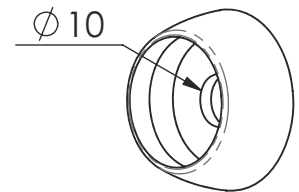
VGC



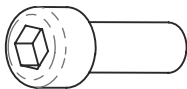
VCBHC



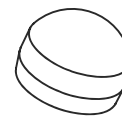
M10 440N



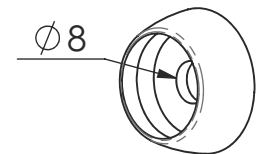
M10 310 N



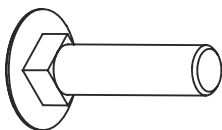
VBTR



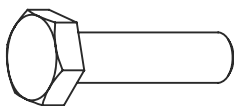
M8440N



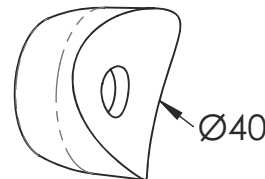
M8310N



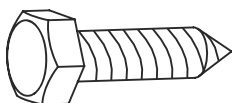
VTRCC



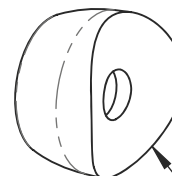
VTH



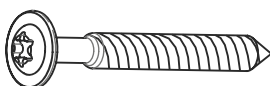
MI2503



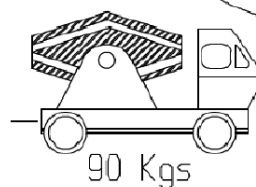
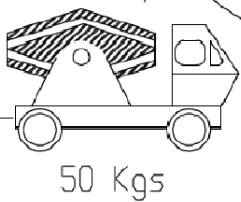
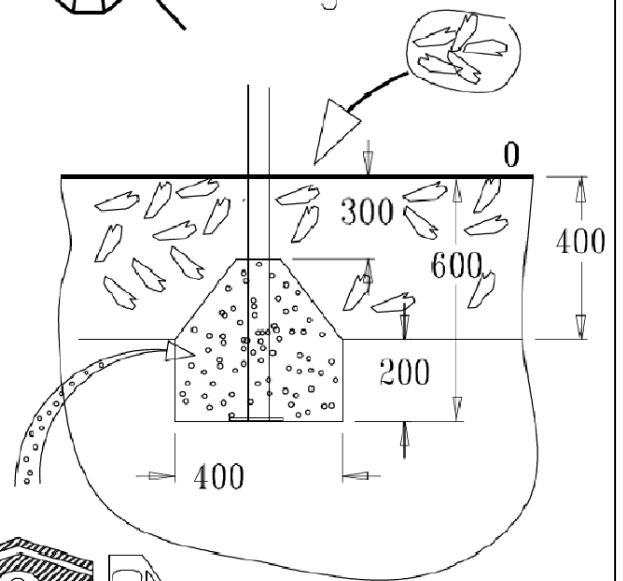
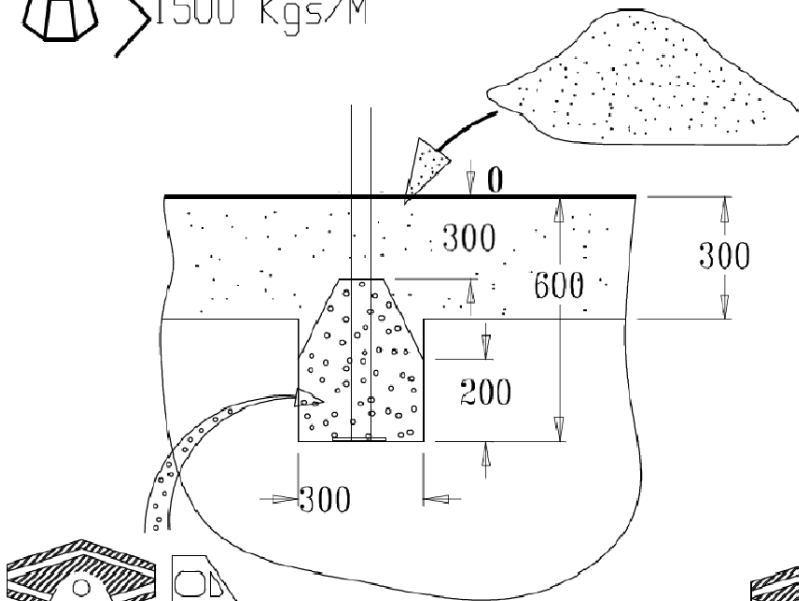
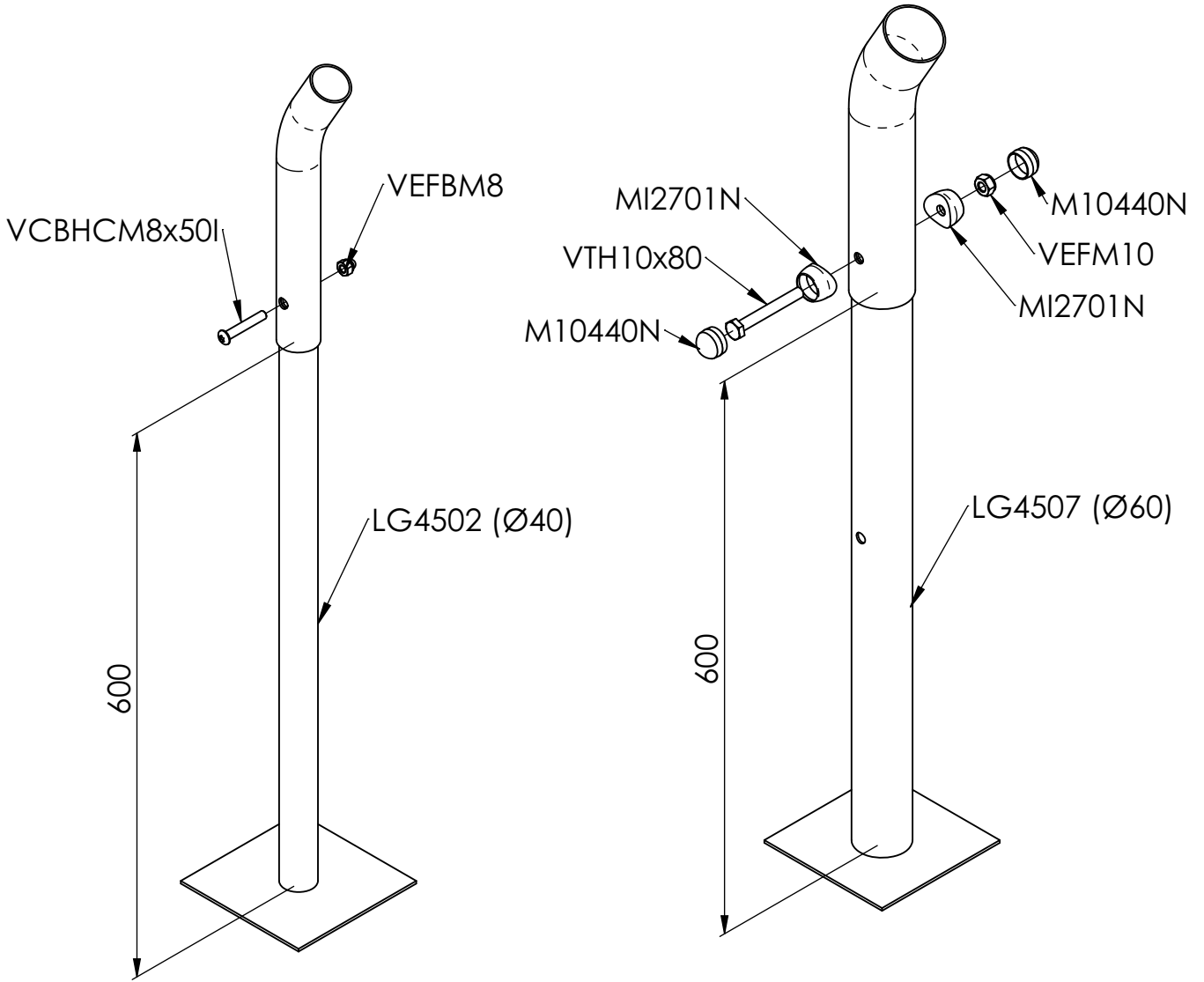
VTF

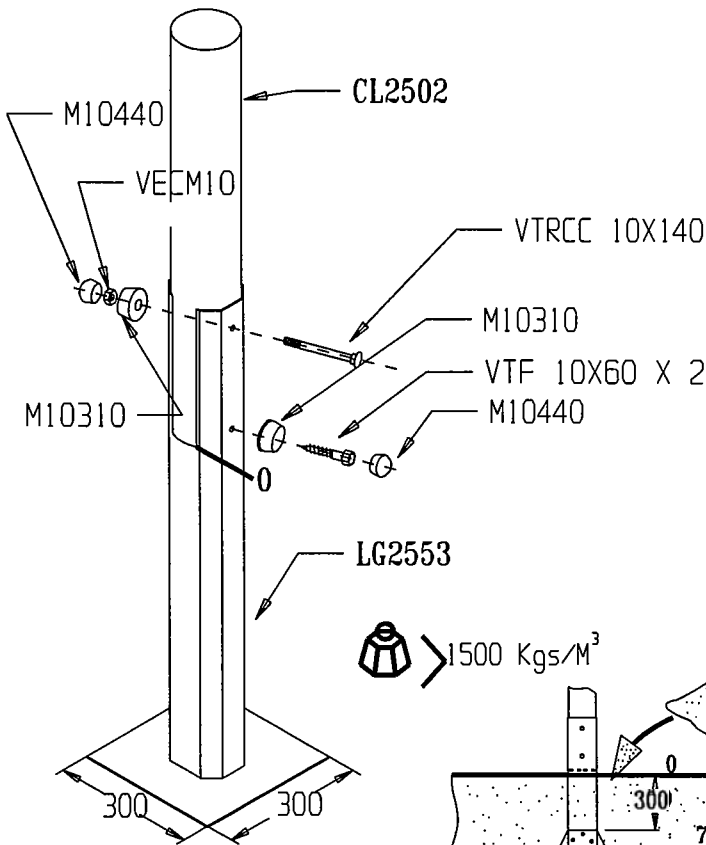


MI2701



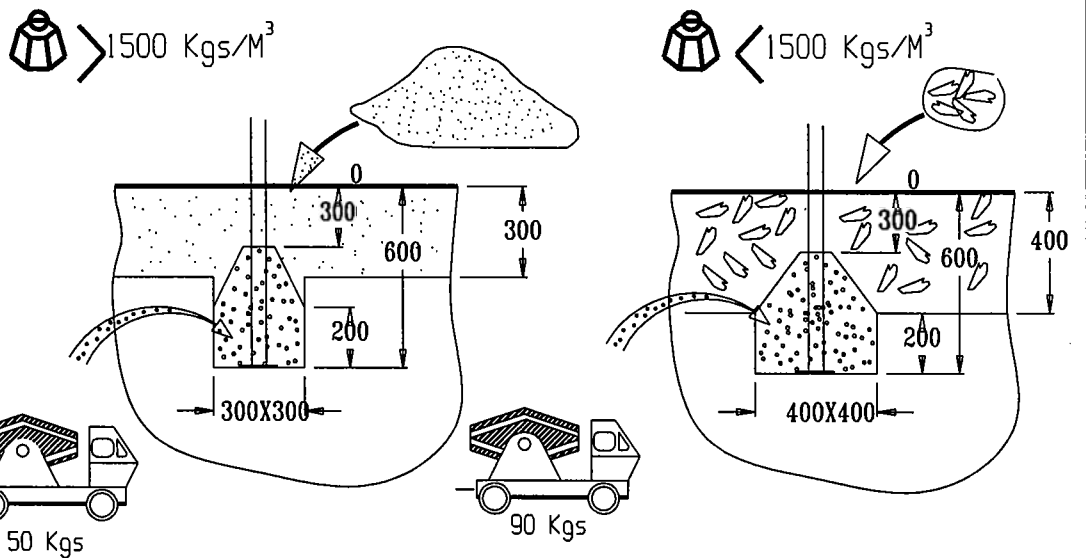
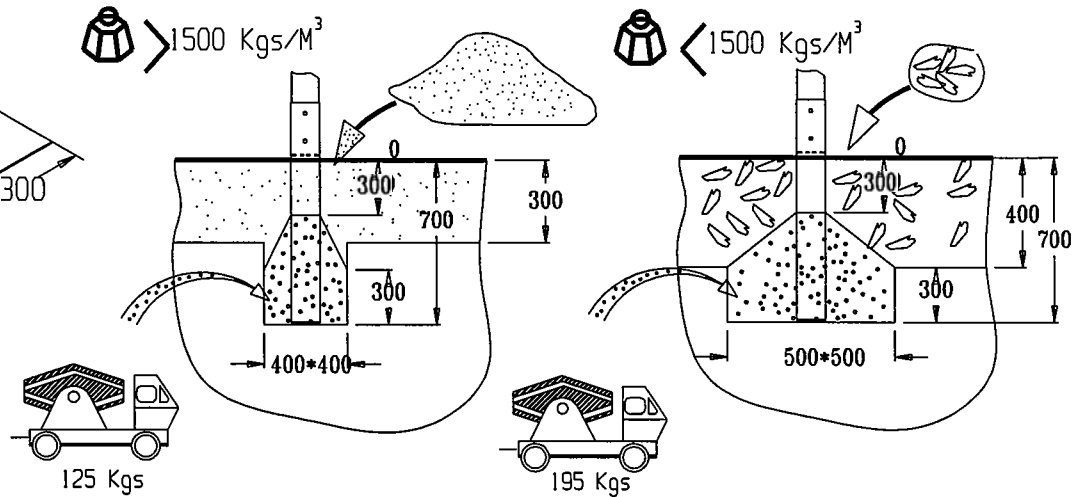
VBT



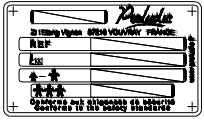


	VTRCC 10x140	1
	VECM10	1
	VTF 10x60	2
	M10310	3
	M10440	3

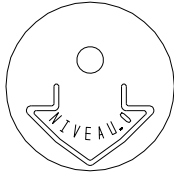
LG2553 X 1



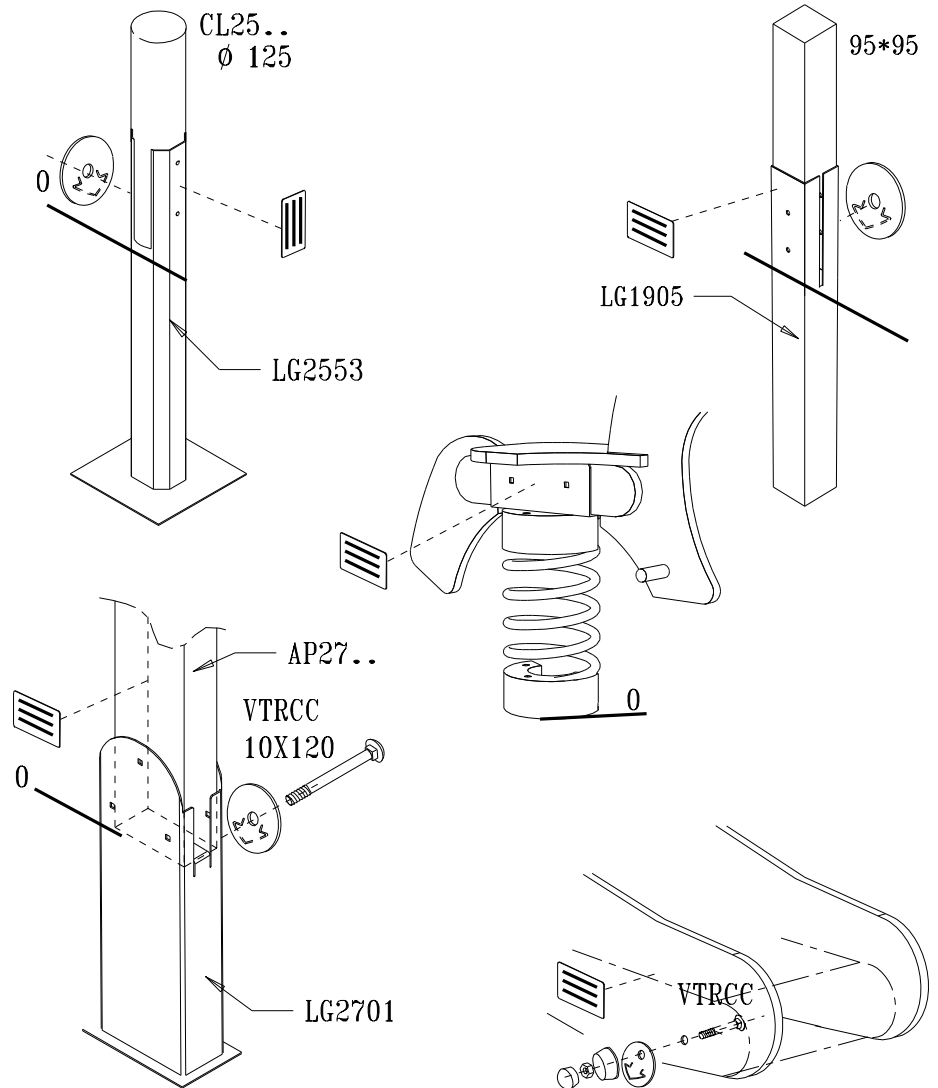
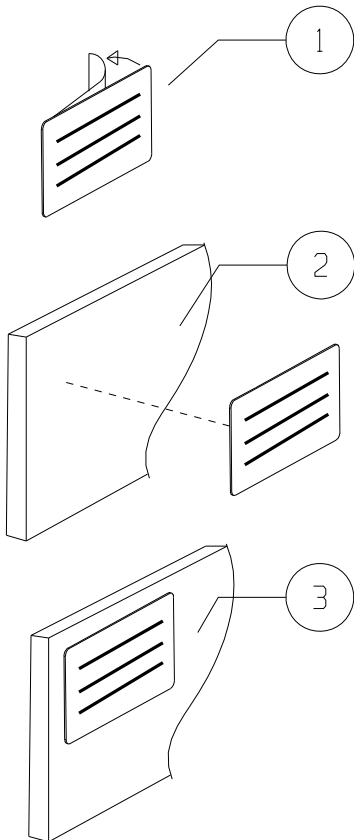
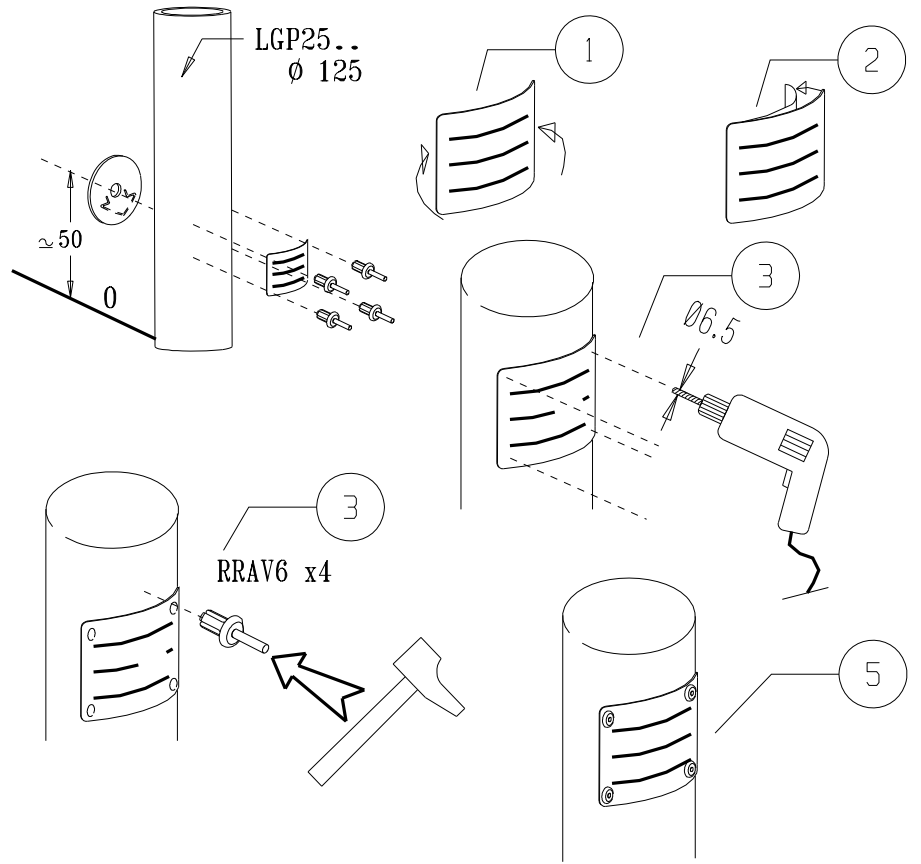
LI..... X 1

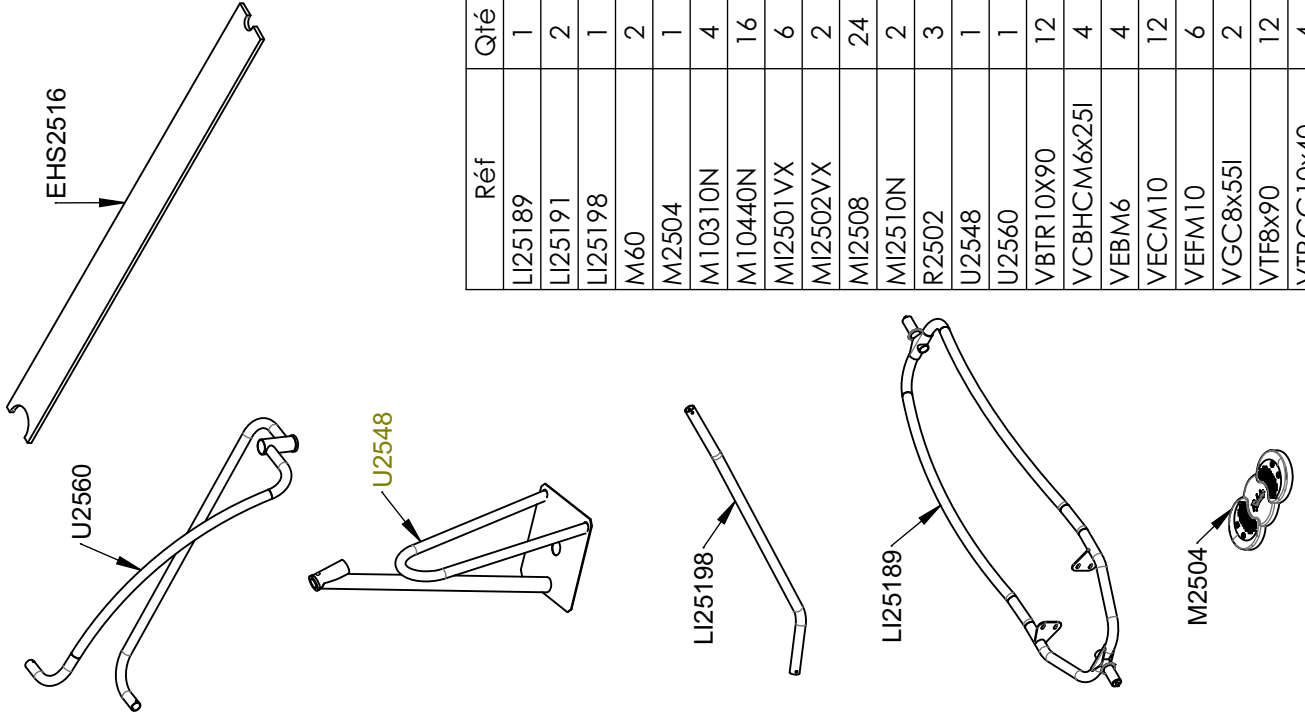
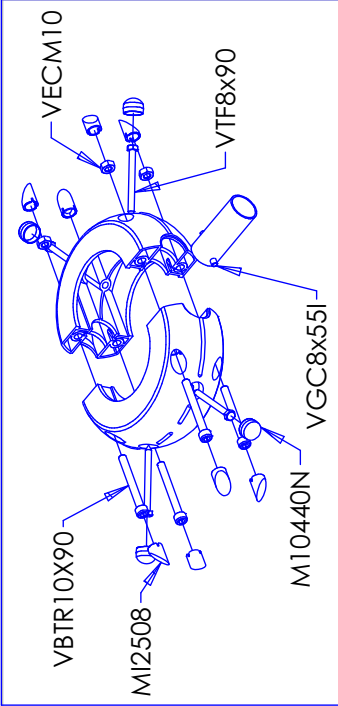
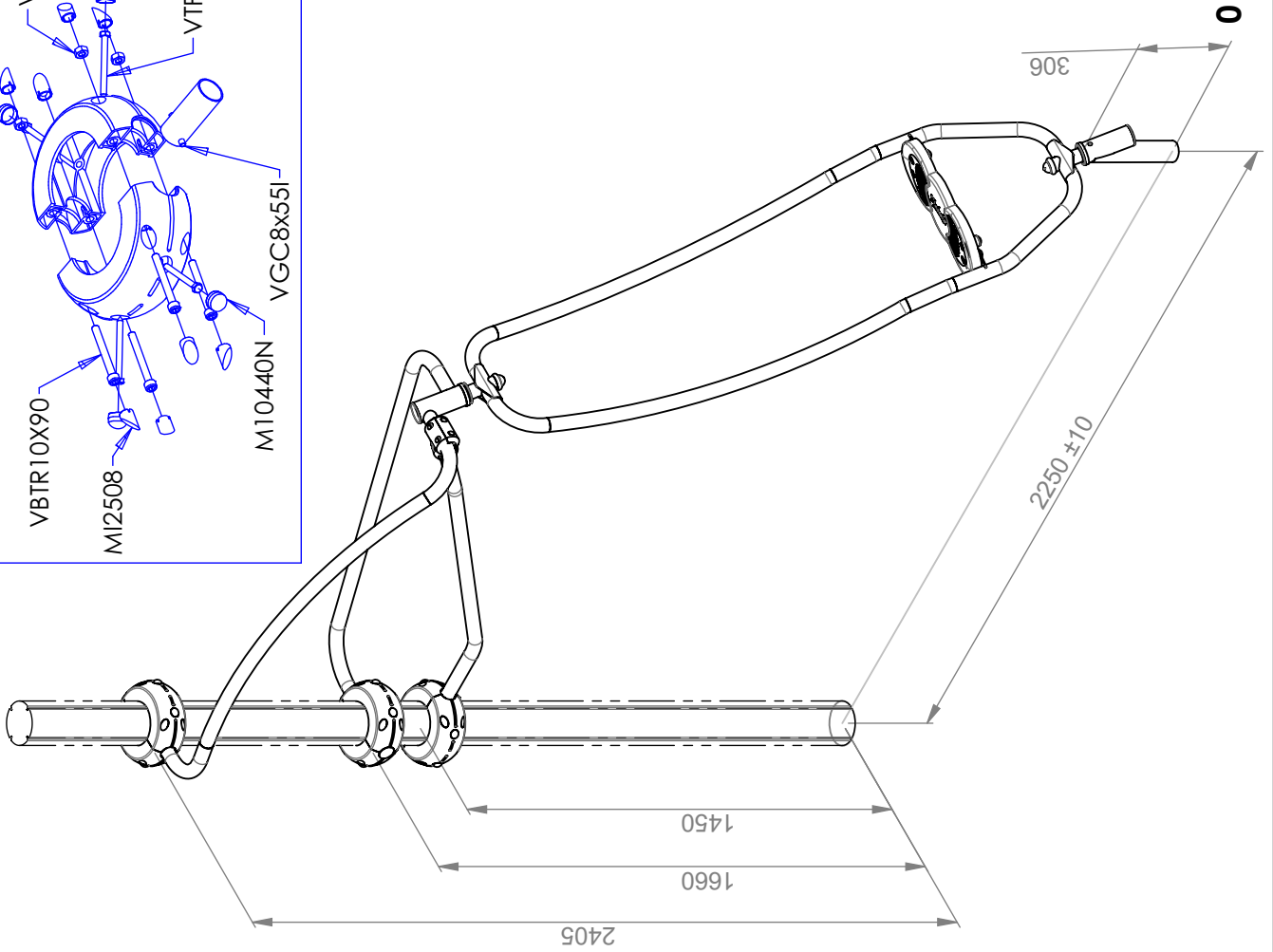


LA000

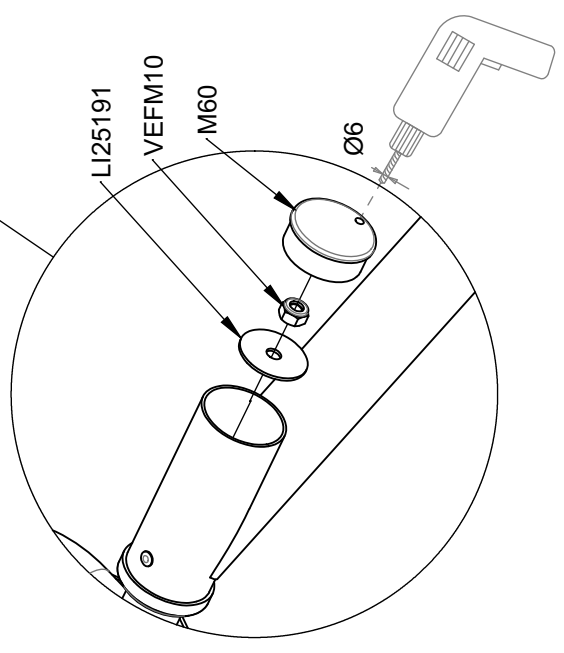
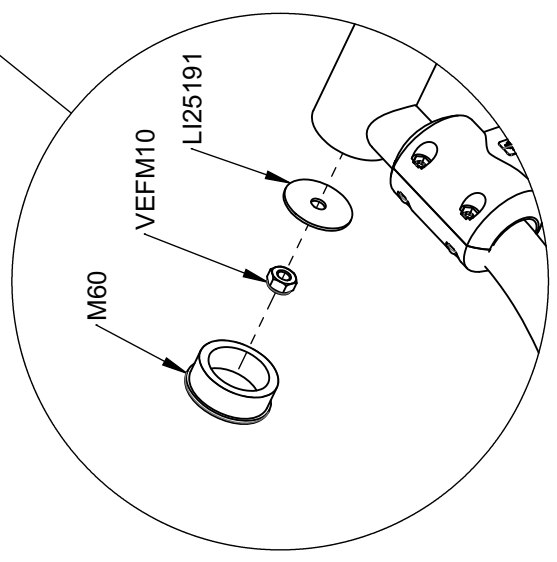
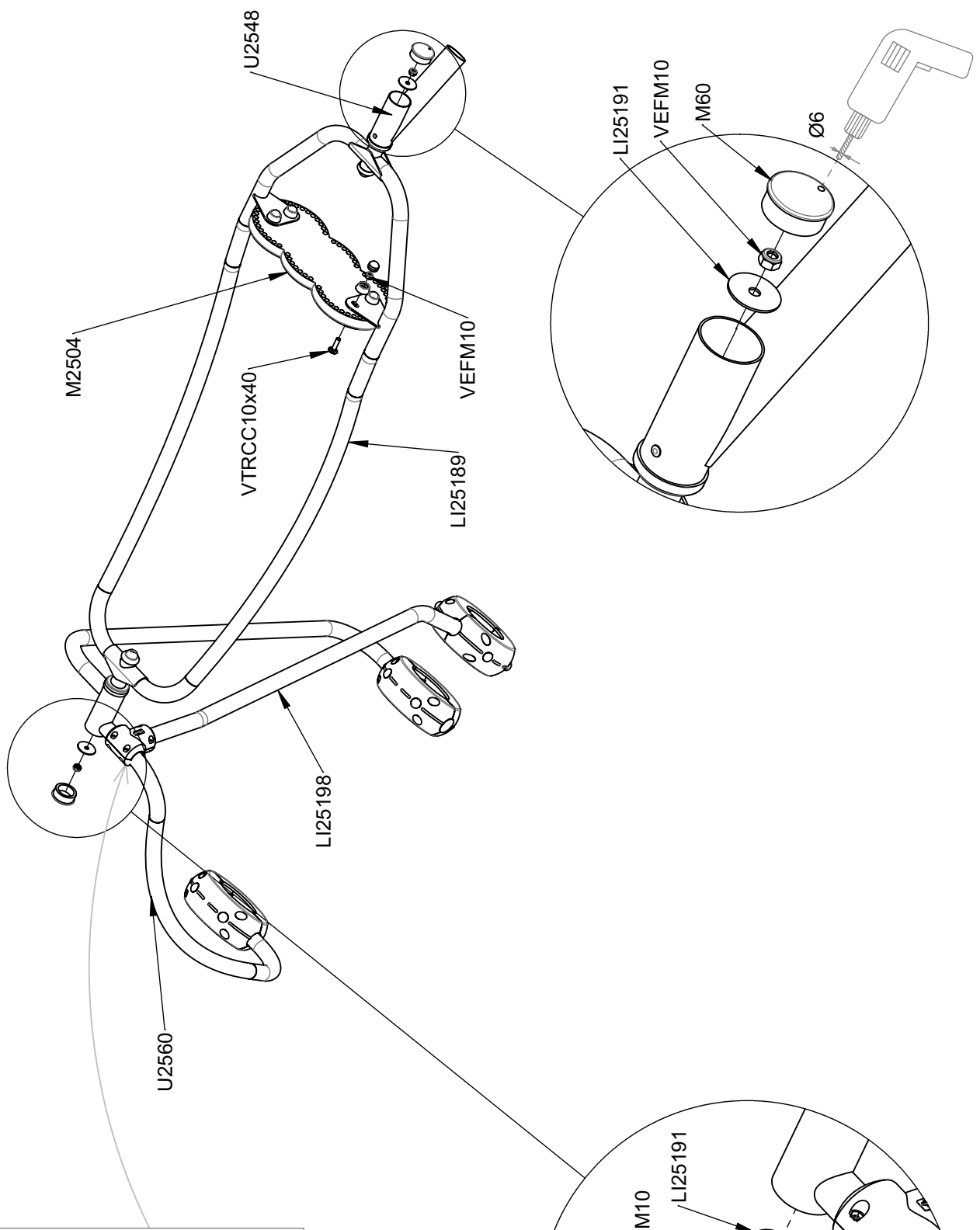
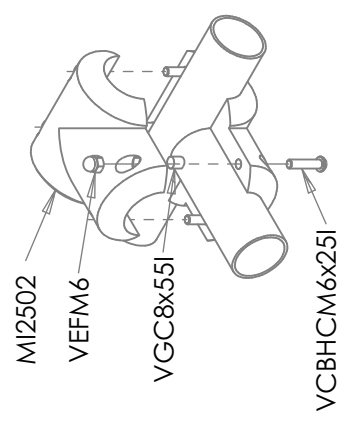


MI0002

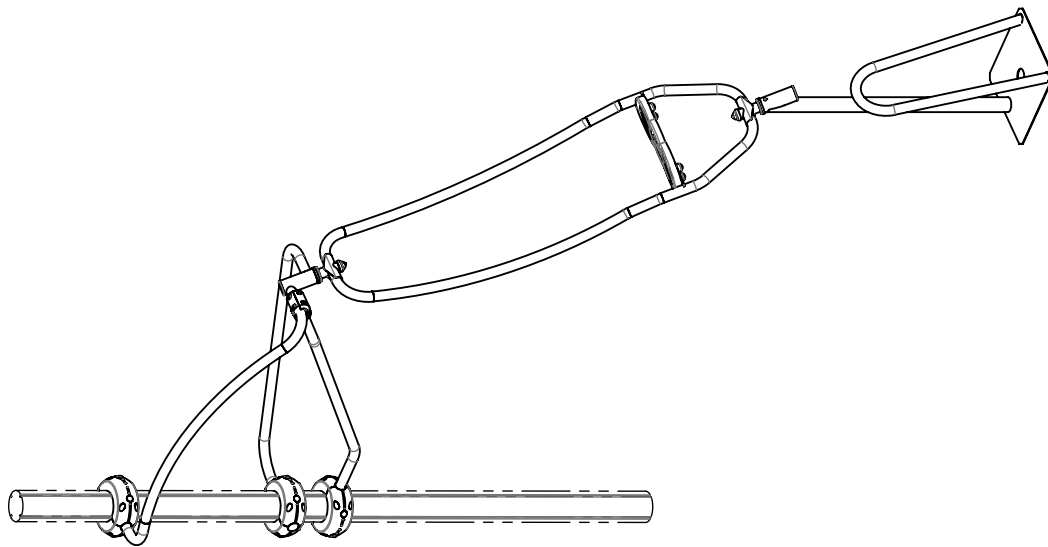




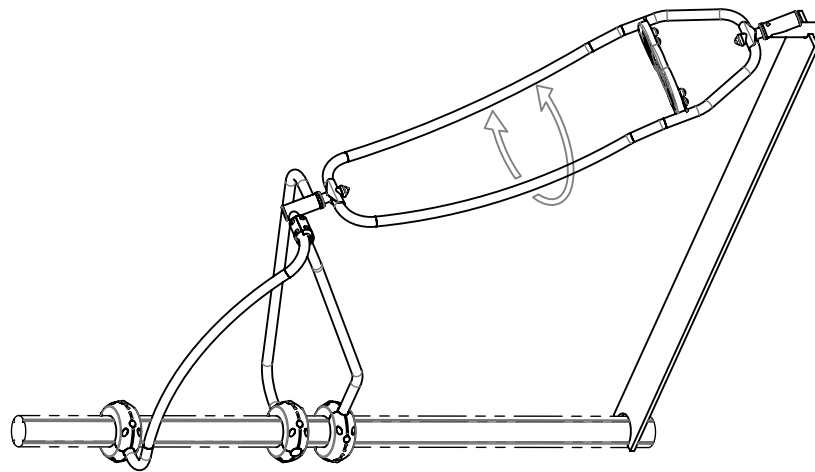
Réf	Qté
L125189	1
L125191	2
L125198	1
M60	2
M2504	1
M10310N	4
M10440N	16
M12501VX	6
M12502VX	2
M12508	24
M12510N	2
R2502	3
U2548	1
U2560	1
VBTR10X90	12
VCBHC6x25I	4
VEBM6	4
VECM10	12
VEFM10	6
VGC8x55I	2
VTF8x90	12
VTRCC10x40	4



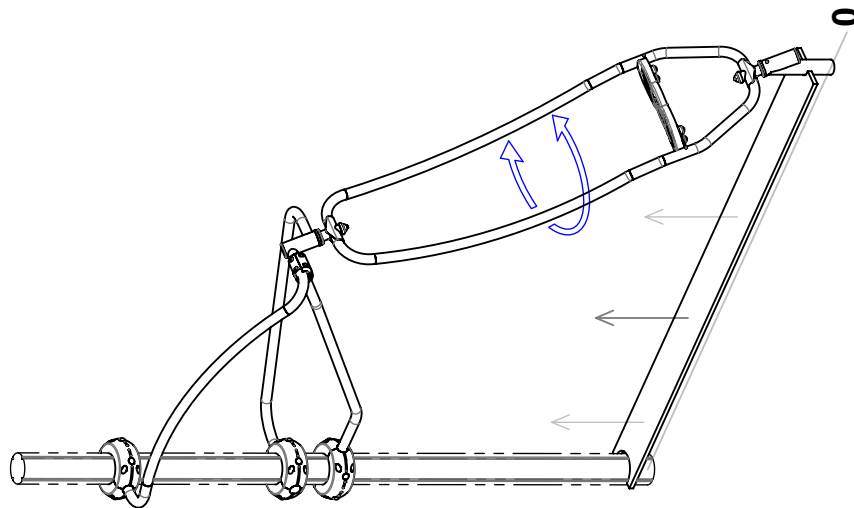
①

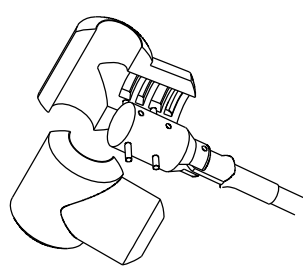
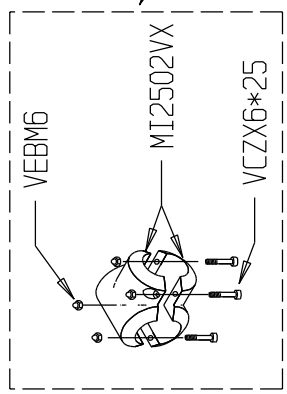


②

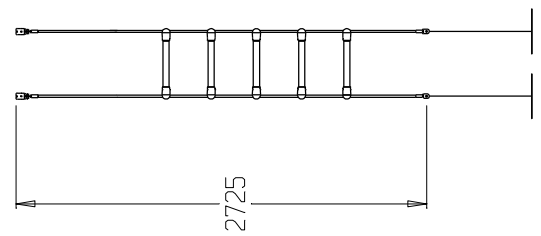
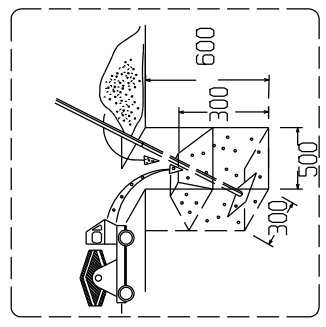
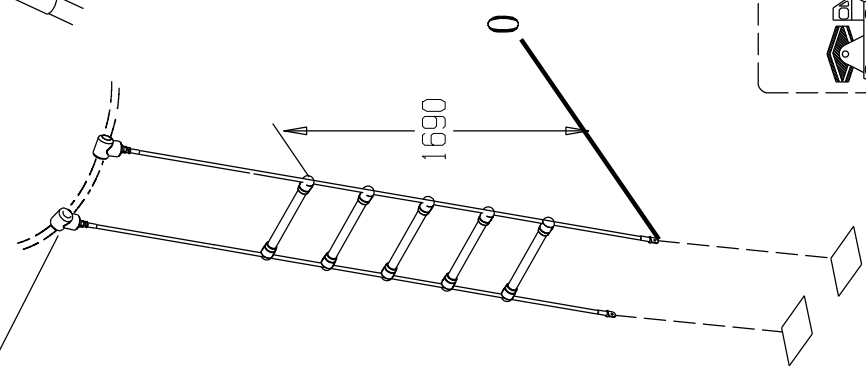
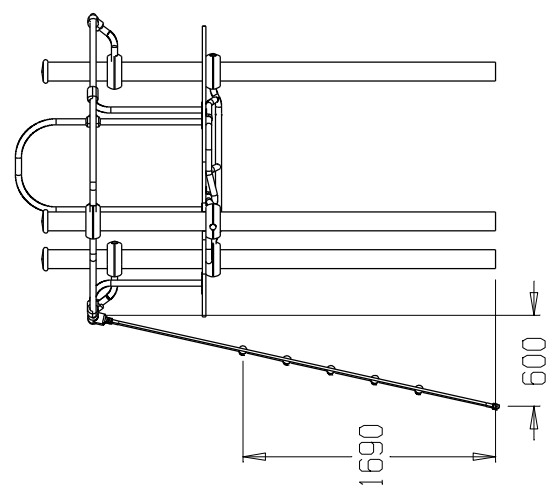


③



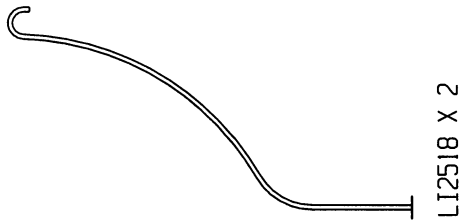
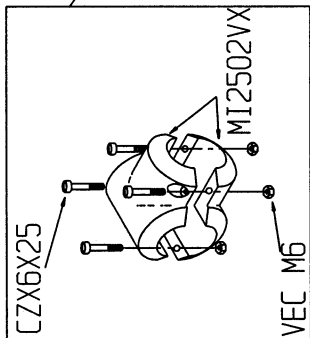


MI2502VX X 4

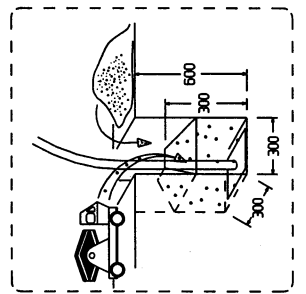
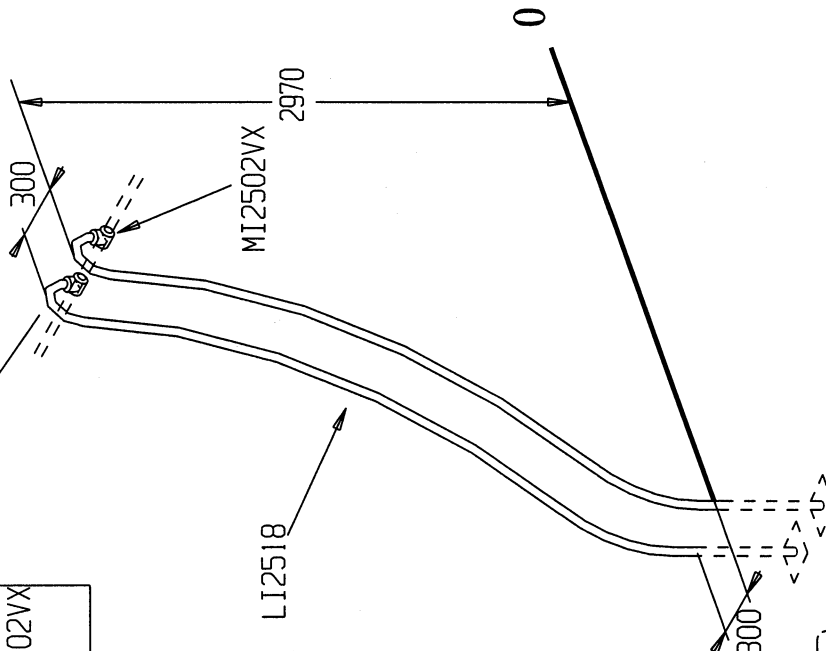


U2544x 1
Lg 2725

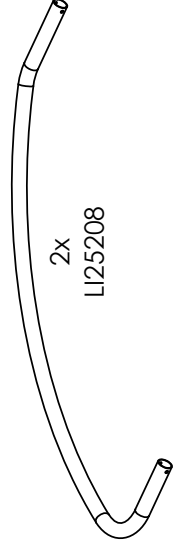
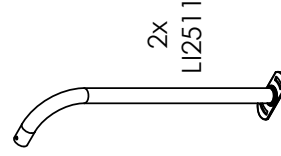
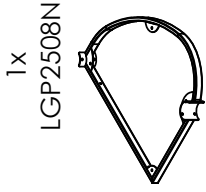
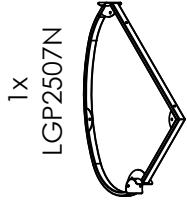
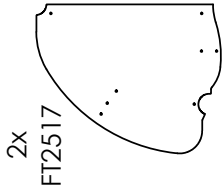
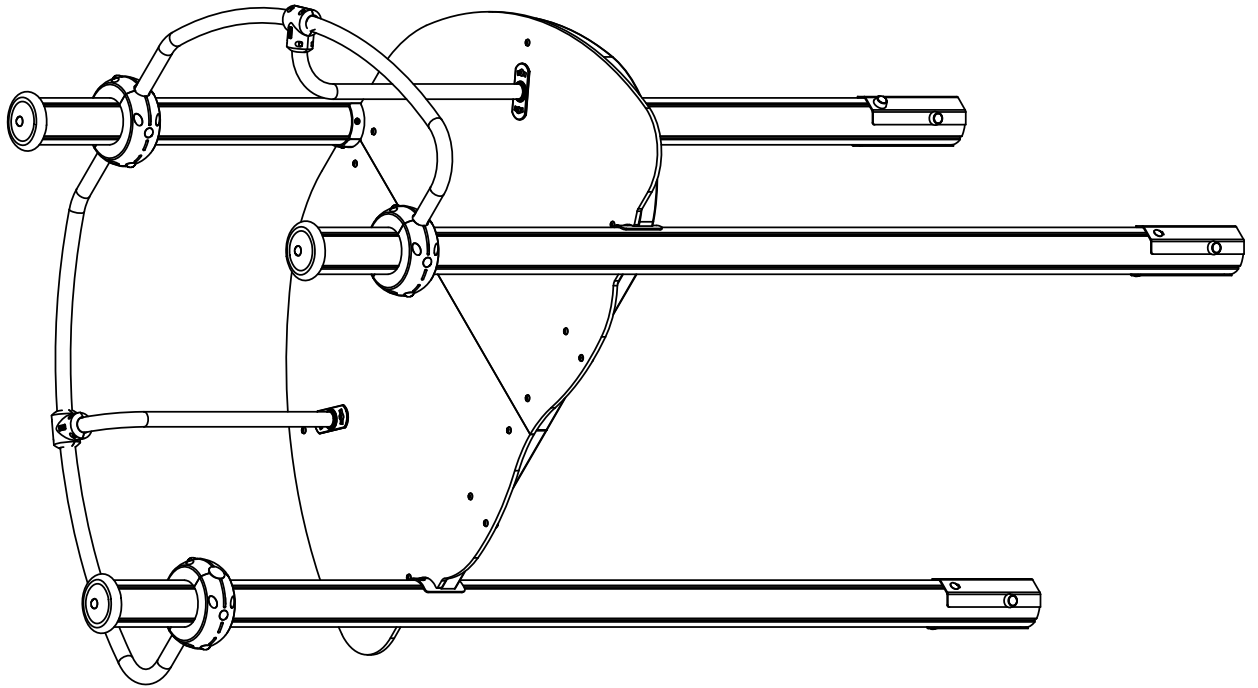
	VCZX 6x25	8
	VEBM6	8



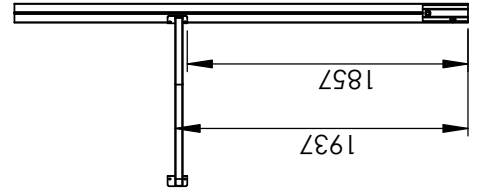
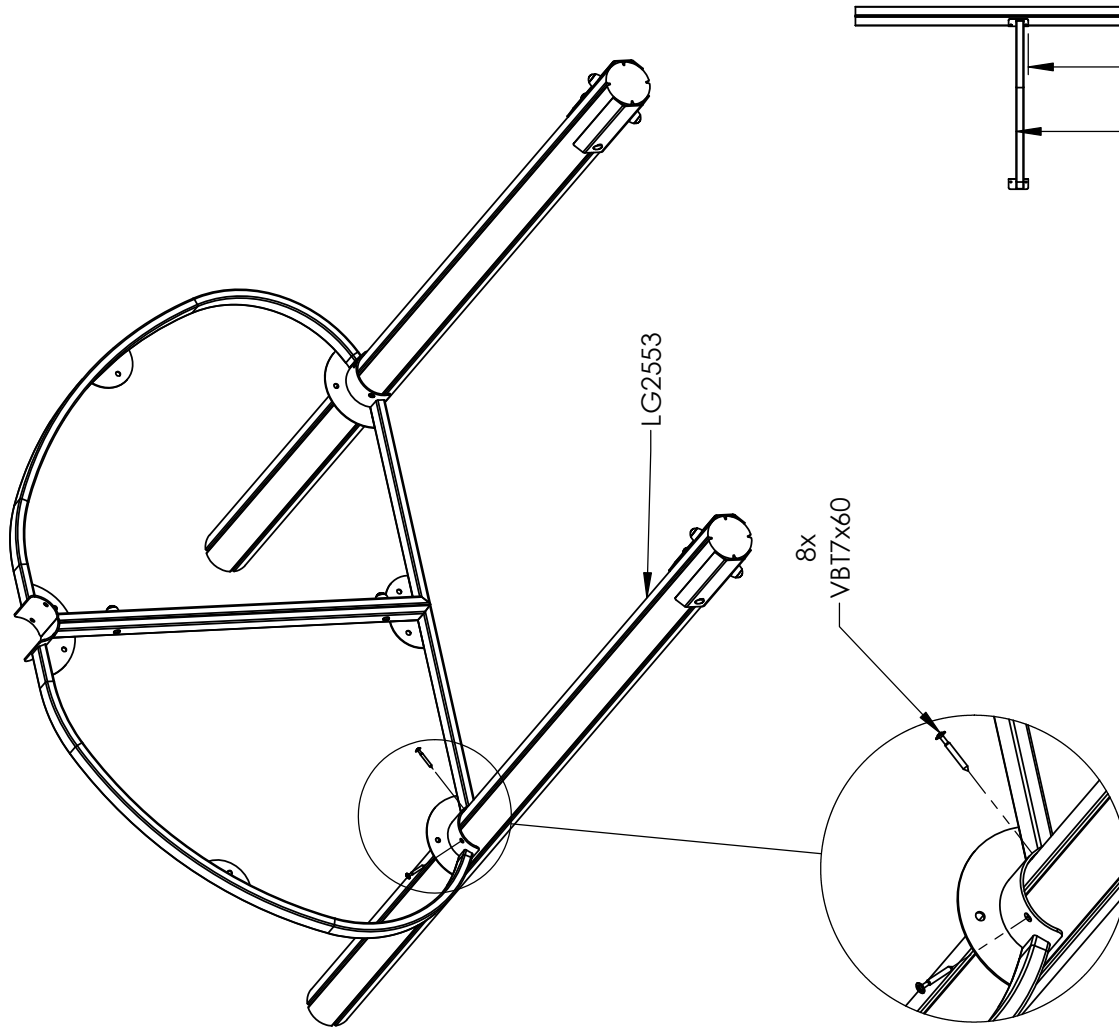
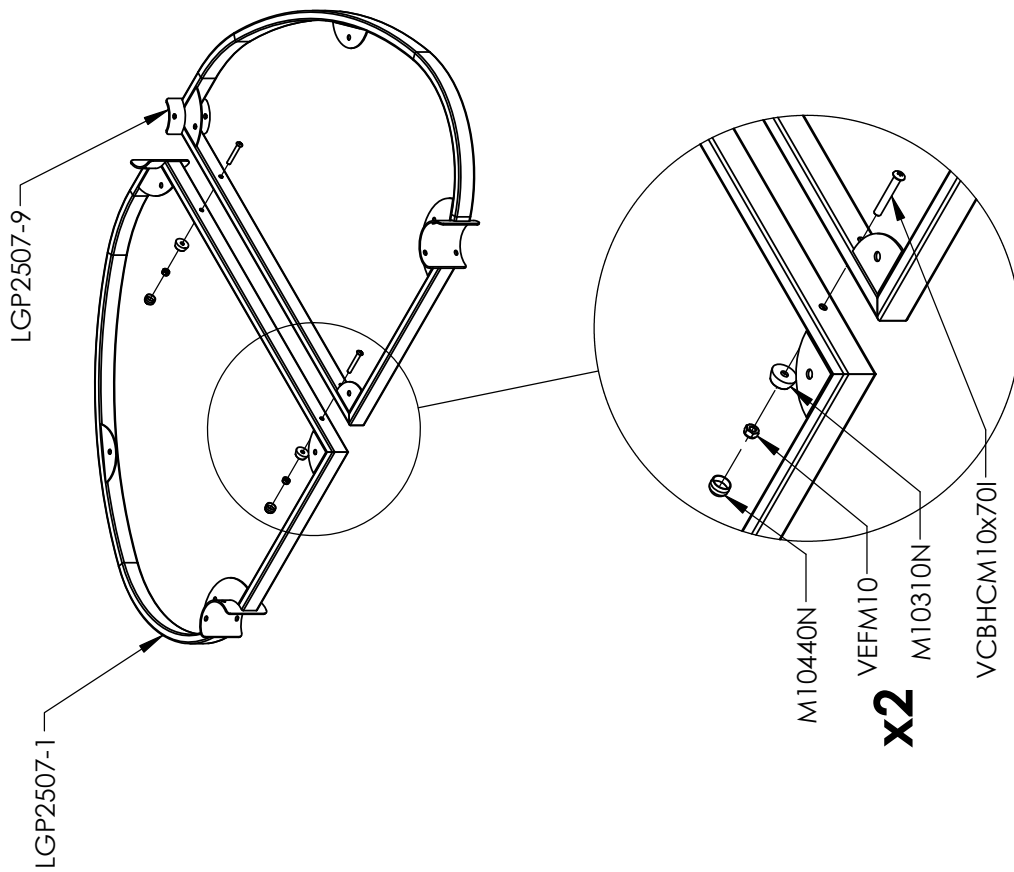
MI2502VX X 4

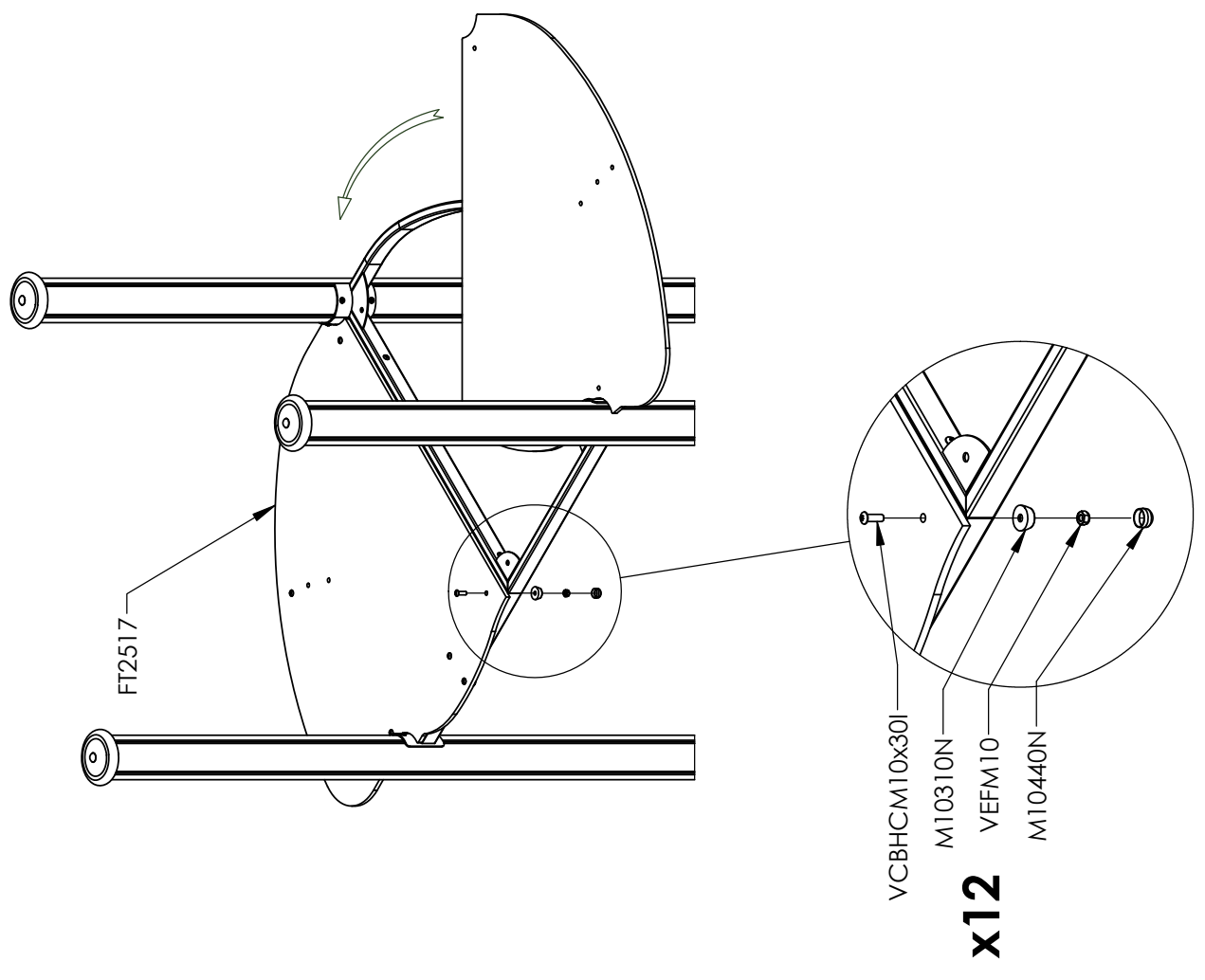
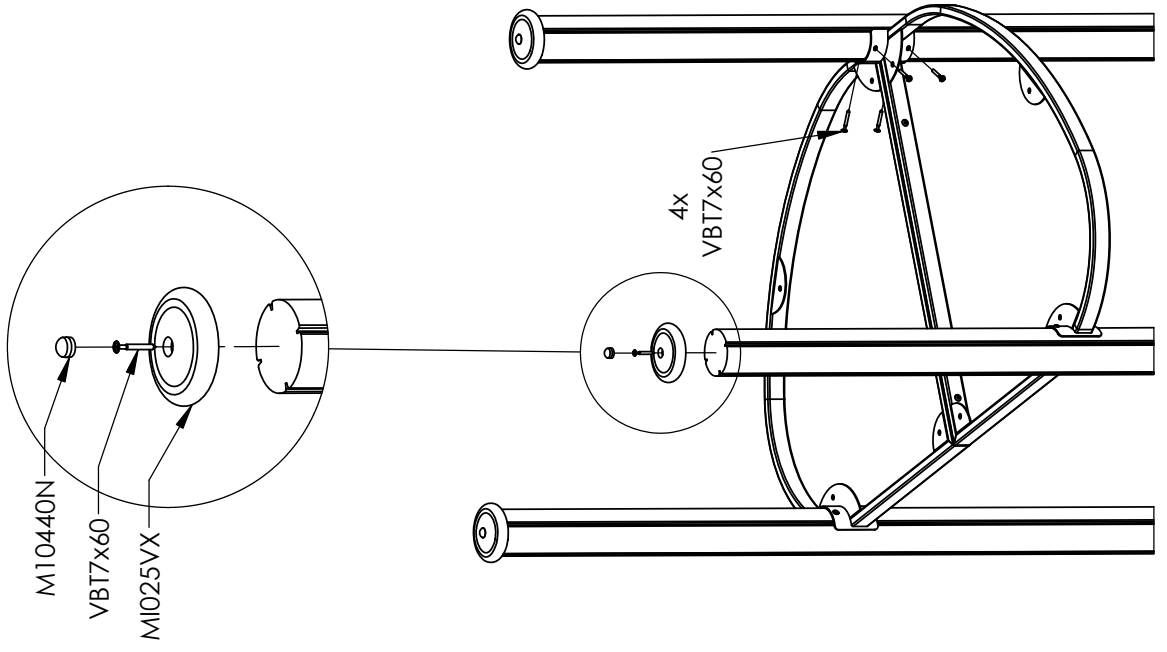


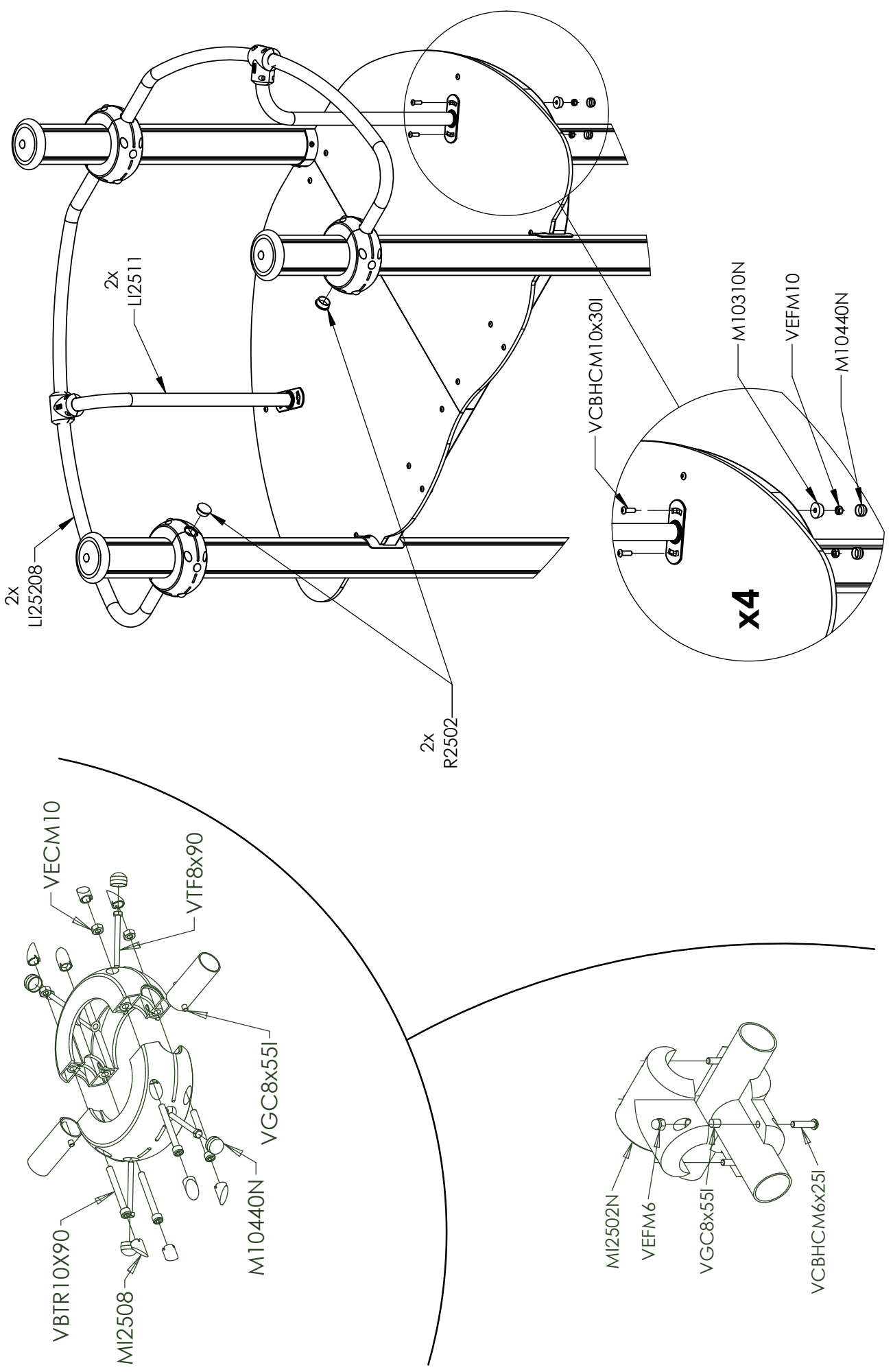
⊕	VECM6	8
⊕	VCZX 6x25	8

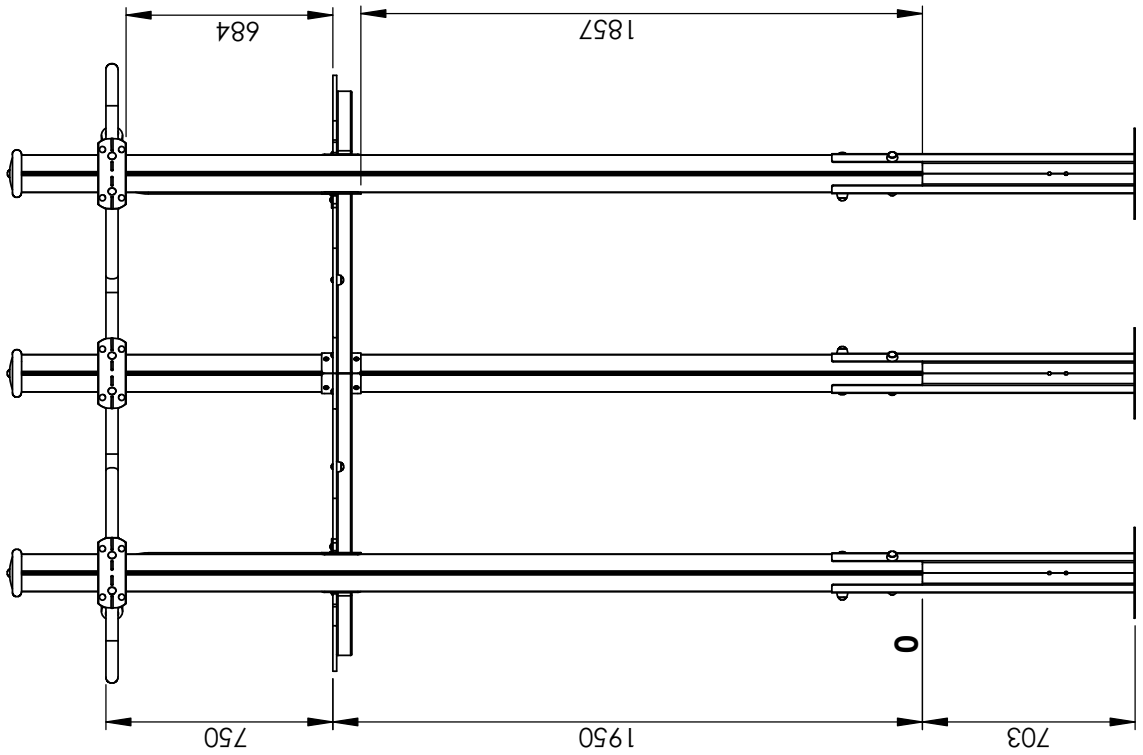
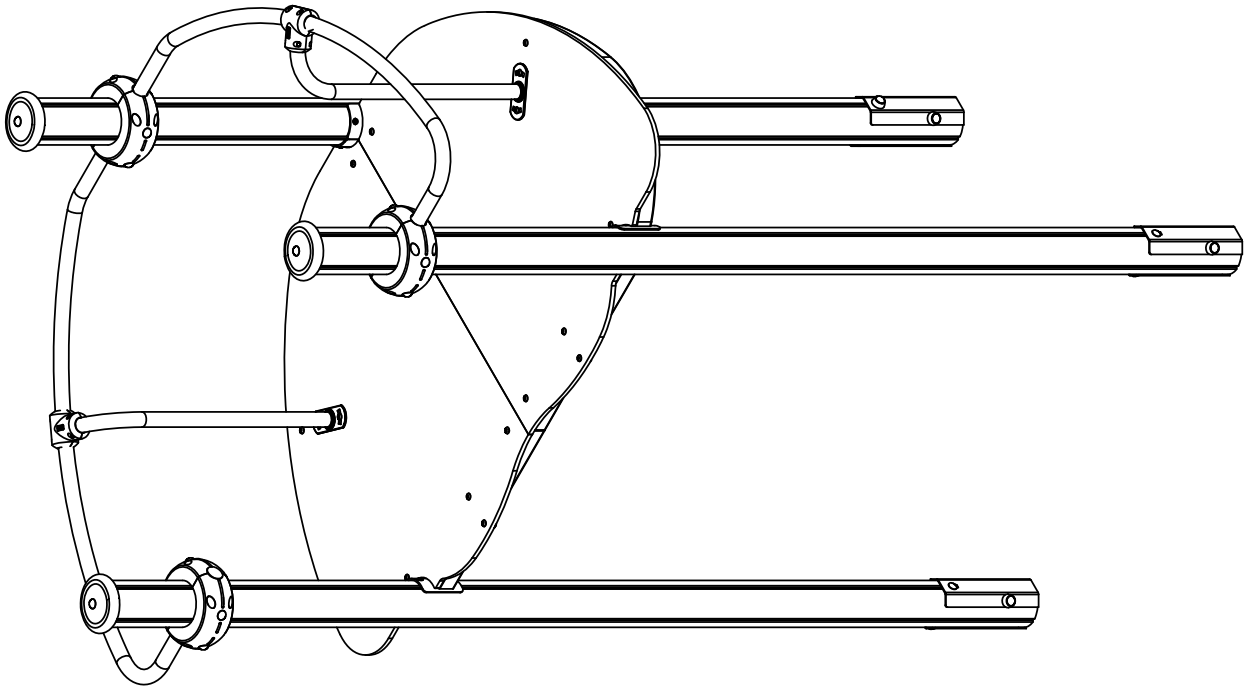


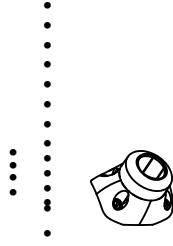
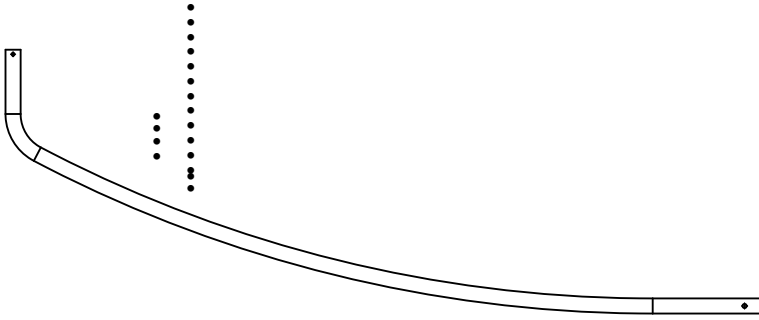
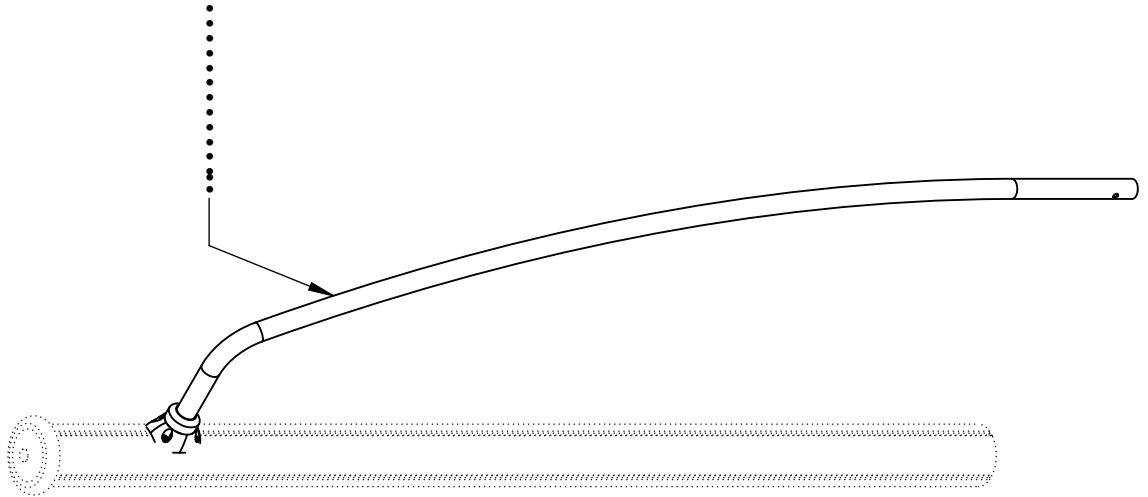
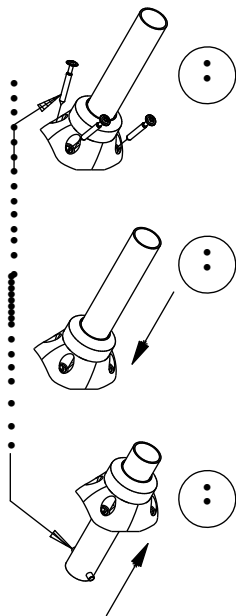
Réf	Qté
CL2502	3
FT2517	2
LG2553	3
LGP2507N	1
LGP2508N	1
LI2511	2
LI25208	2
M10310N	27
M10440N	42
MI025VX	3
MI2501VX	6
MI2502VX	4
MI2508	24
R2502	2
VB7x60	15
VBTR10X90	12
VCBHCM6x25I	8
VCBHCM10x30I	16
VCBHCM10x70I	2
VEBM6	8
VECM10	12
VEFM10	21
VGC8x55I	6
VTF8x90	12
VTF10x60	6
VTRCC10x140	3



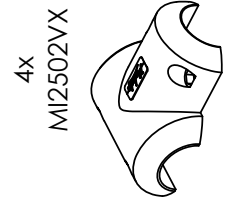
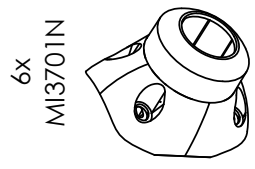
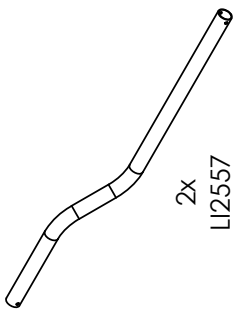
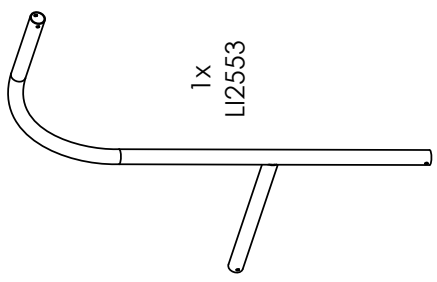
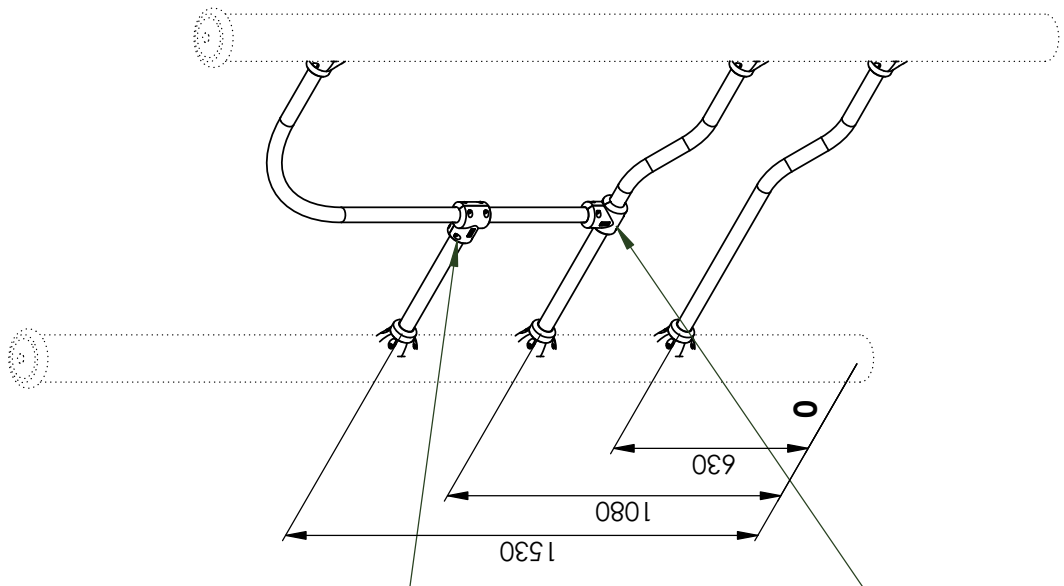
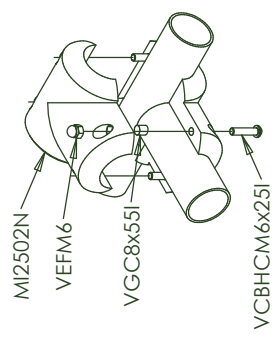
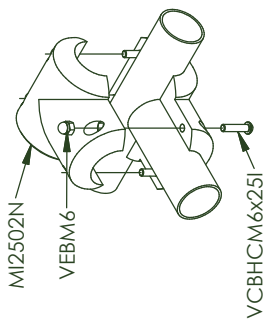
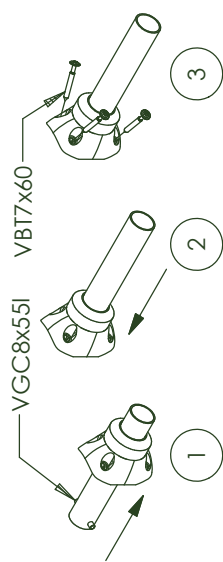




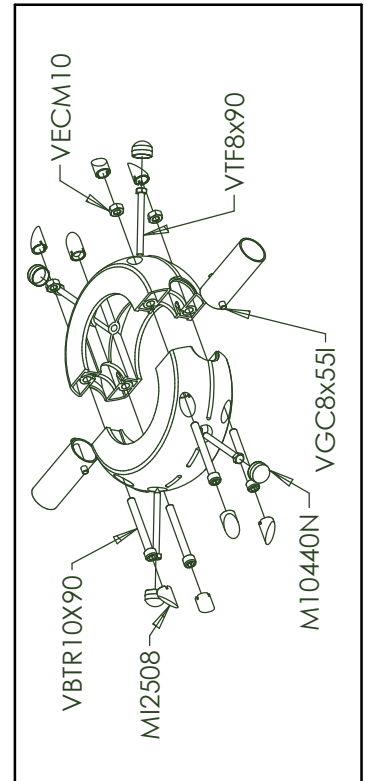
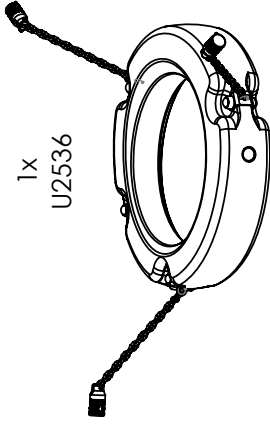
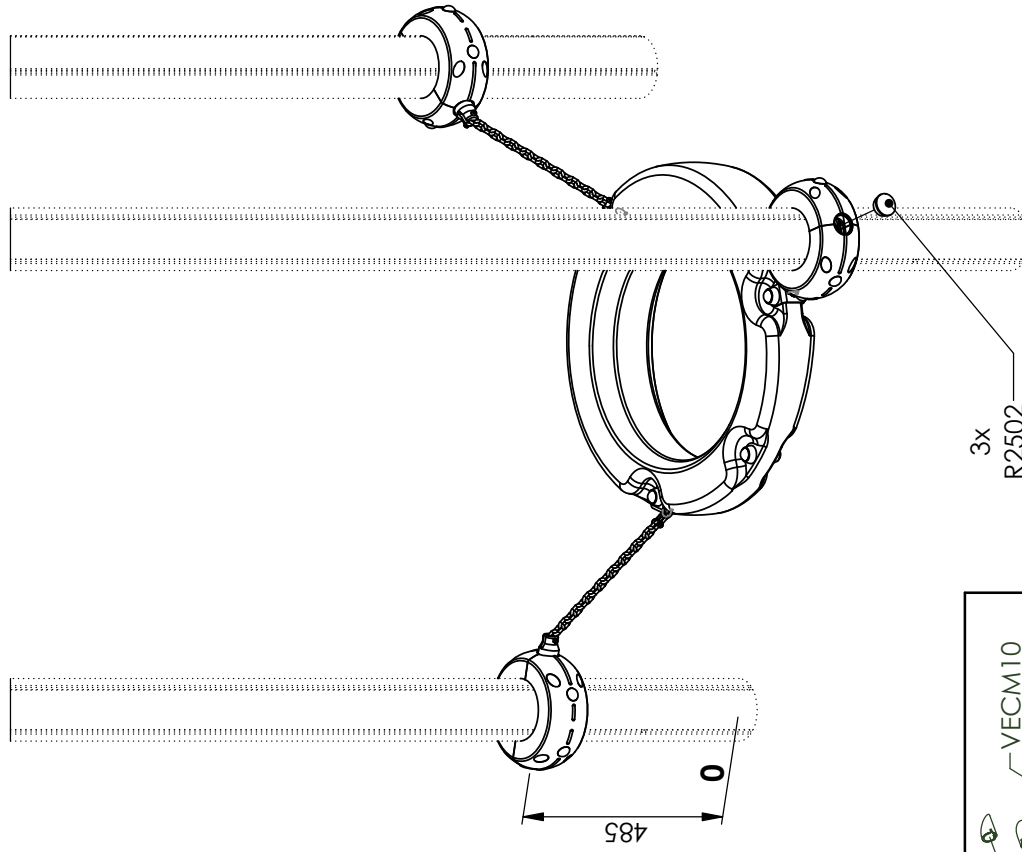




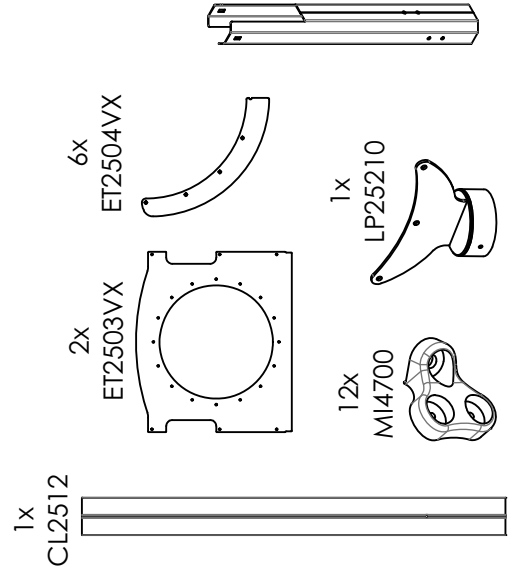
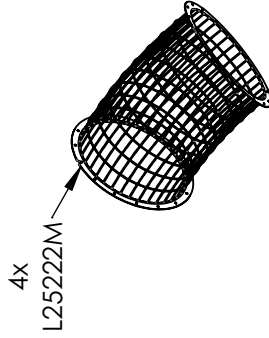
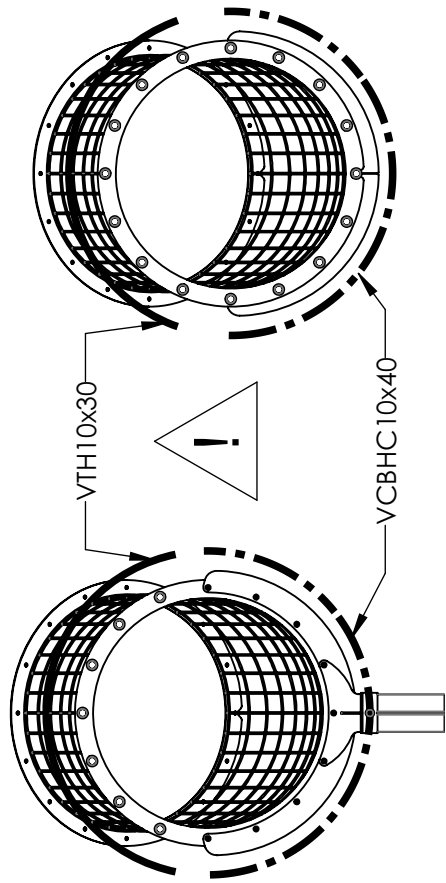
••	••	••	••	••
••	••	••	••	••
••	••	••	••	••
••	••	••	••	••
••	••	••	••	••



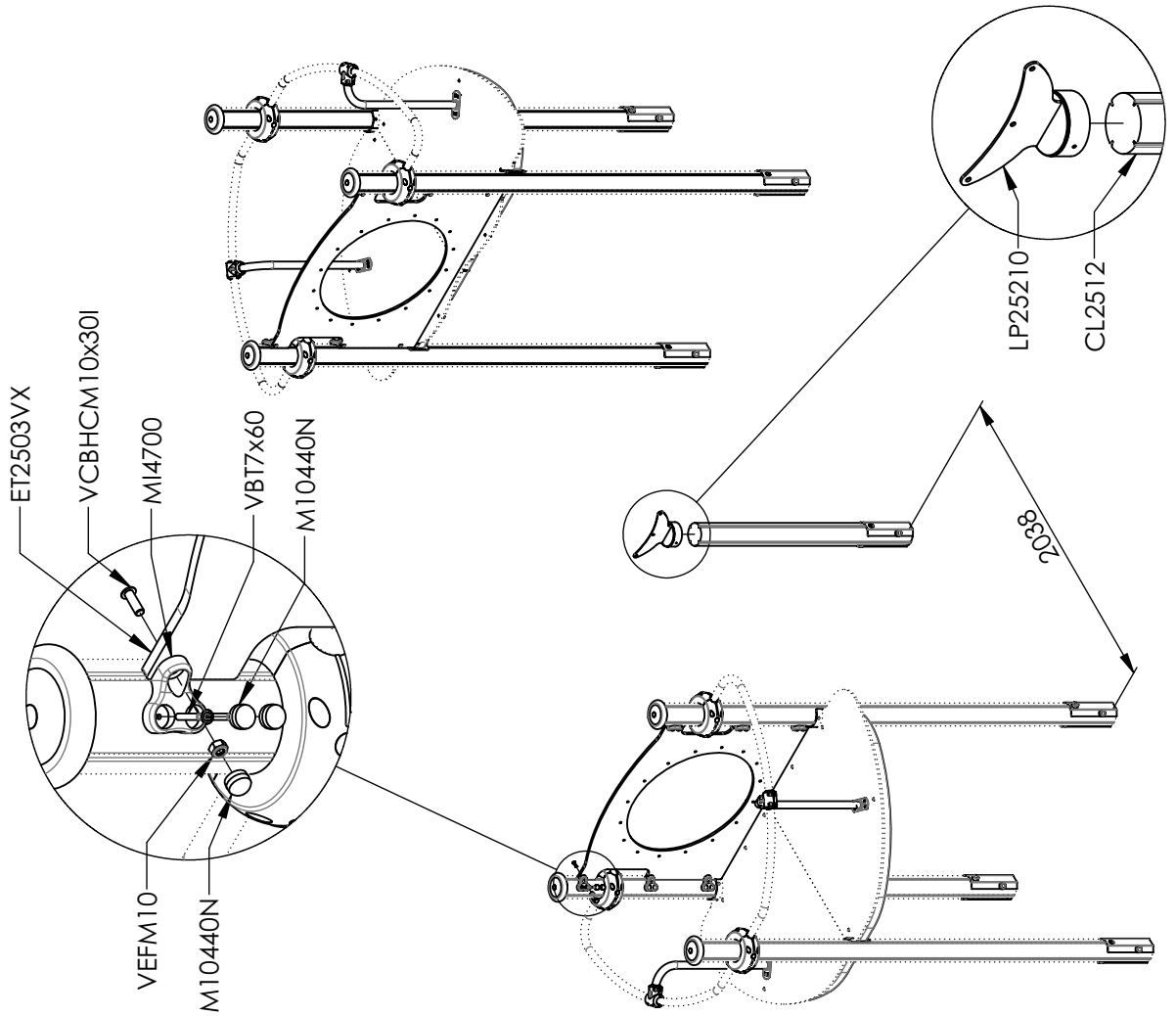
LI2557	2
LI2553	1
MI2502VX	4
MI3701N	6
VCBHCM6x25I	8
VEBM6	8
VGC8x55I	7
VB17x60	24

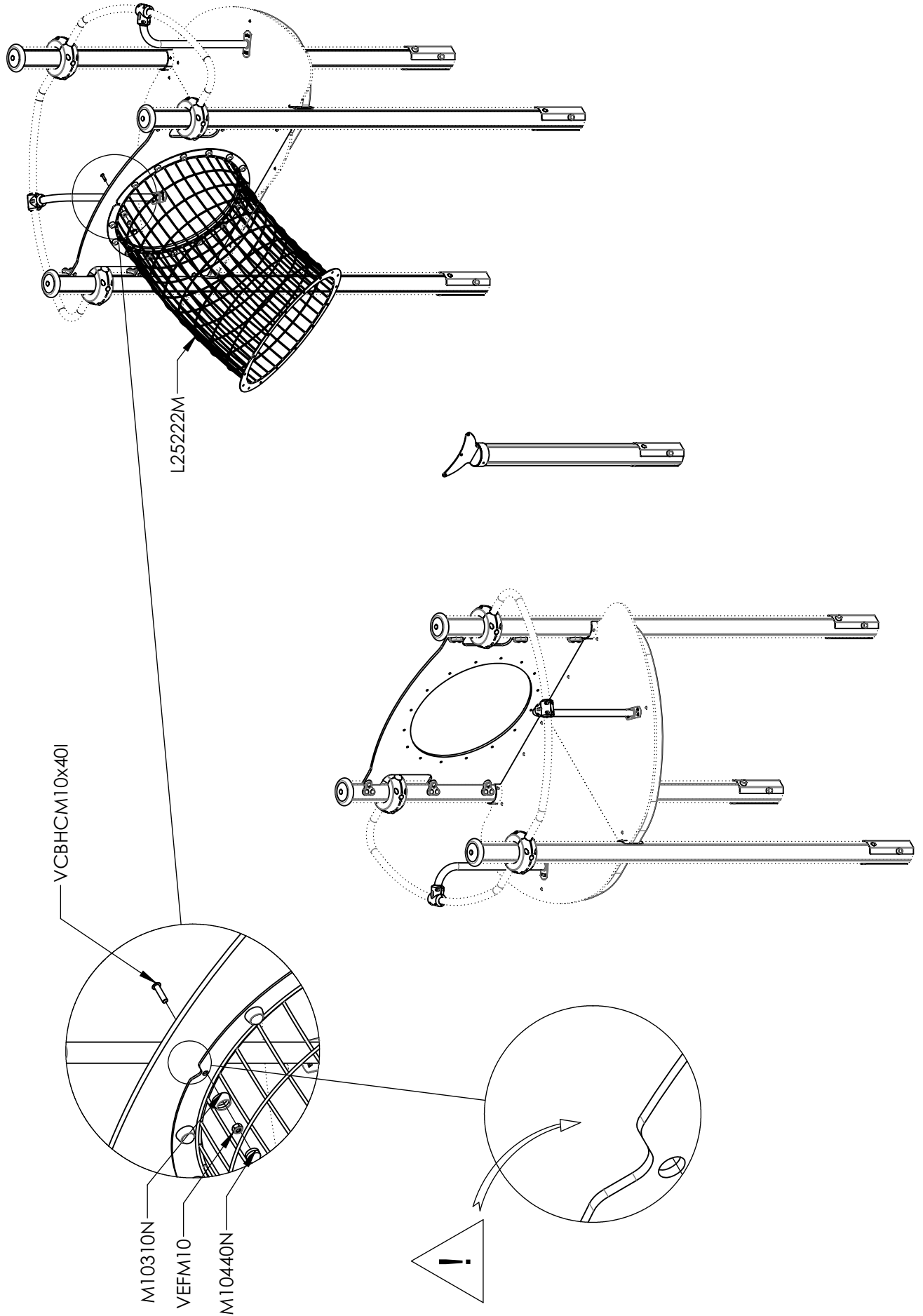


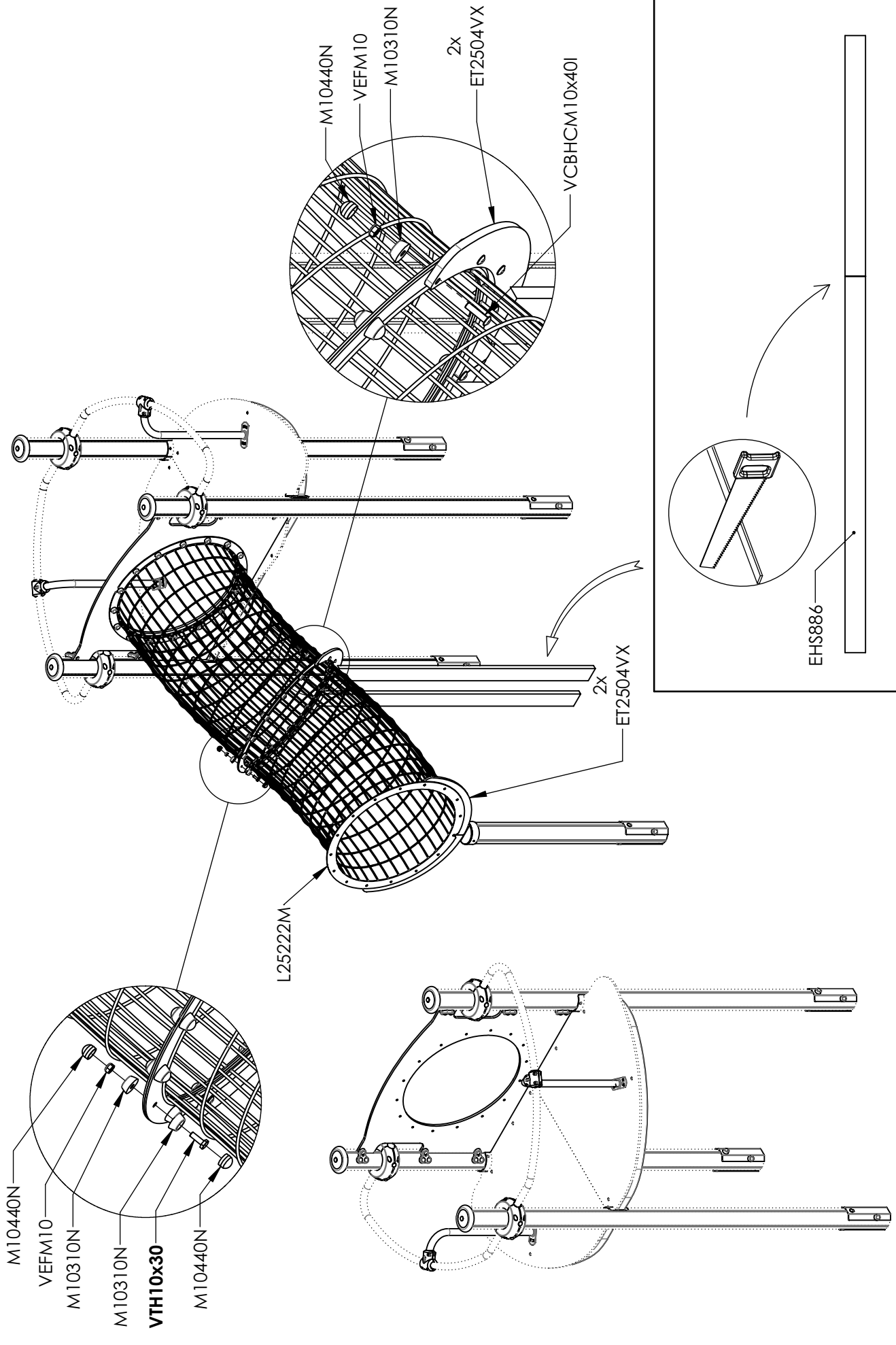
Réf	Qté
M10440N	12
M12501 VX	6
M12508	24
R2502	3
U2536	1
VBTR10X90	12
VECM10	12
VTF8x90	12

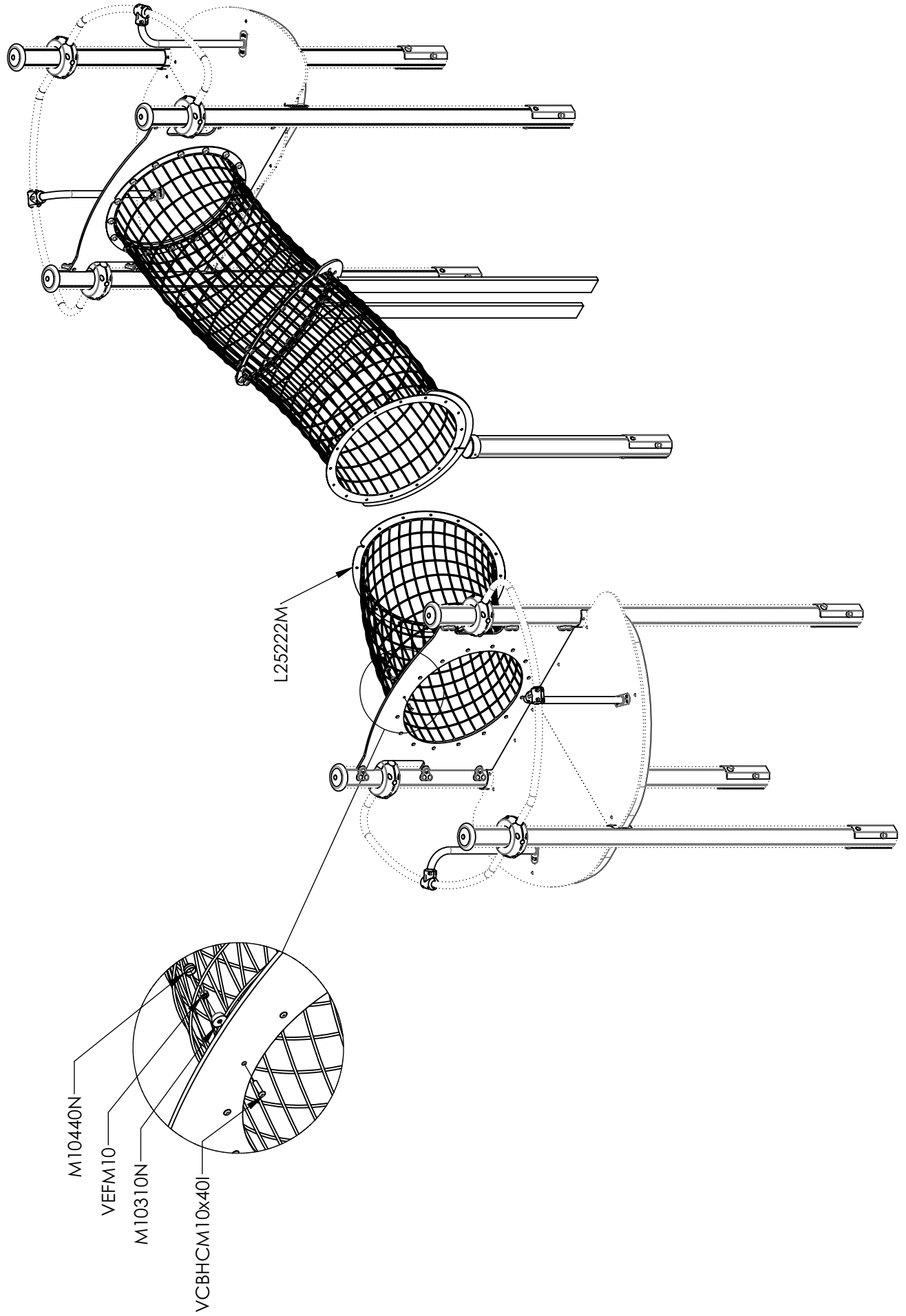


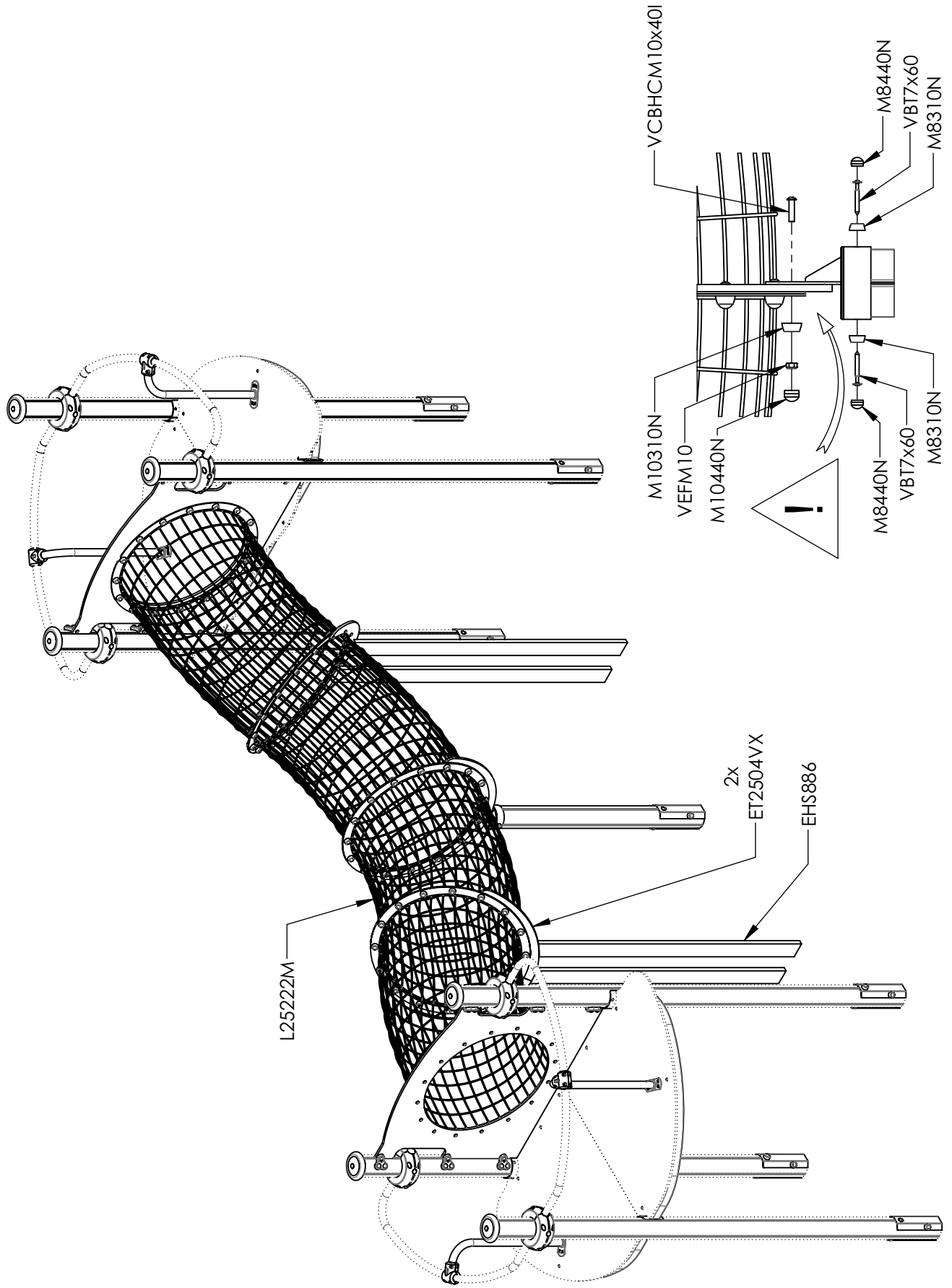
CL2512	1
ET2503VX	2
ET2504VX	6
L25222M	4
LG2553	1
LP25210	1
M8310N	2
M8440N	2
M10310N	104
M10440N	140
MI4700	12
VBT7x60	26
VCBHC10x30I	12
VEFM10	93
VTF10x60	2
VTH10x30	21
VTRCC10x140	1
VCBHC10x40I	59

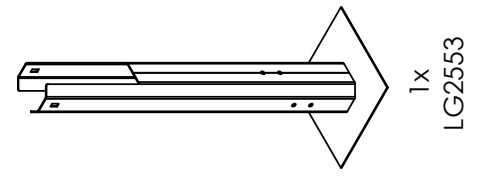
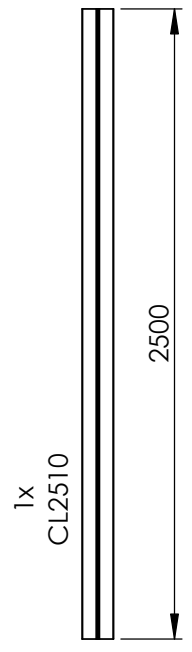
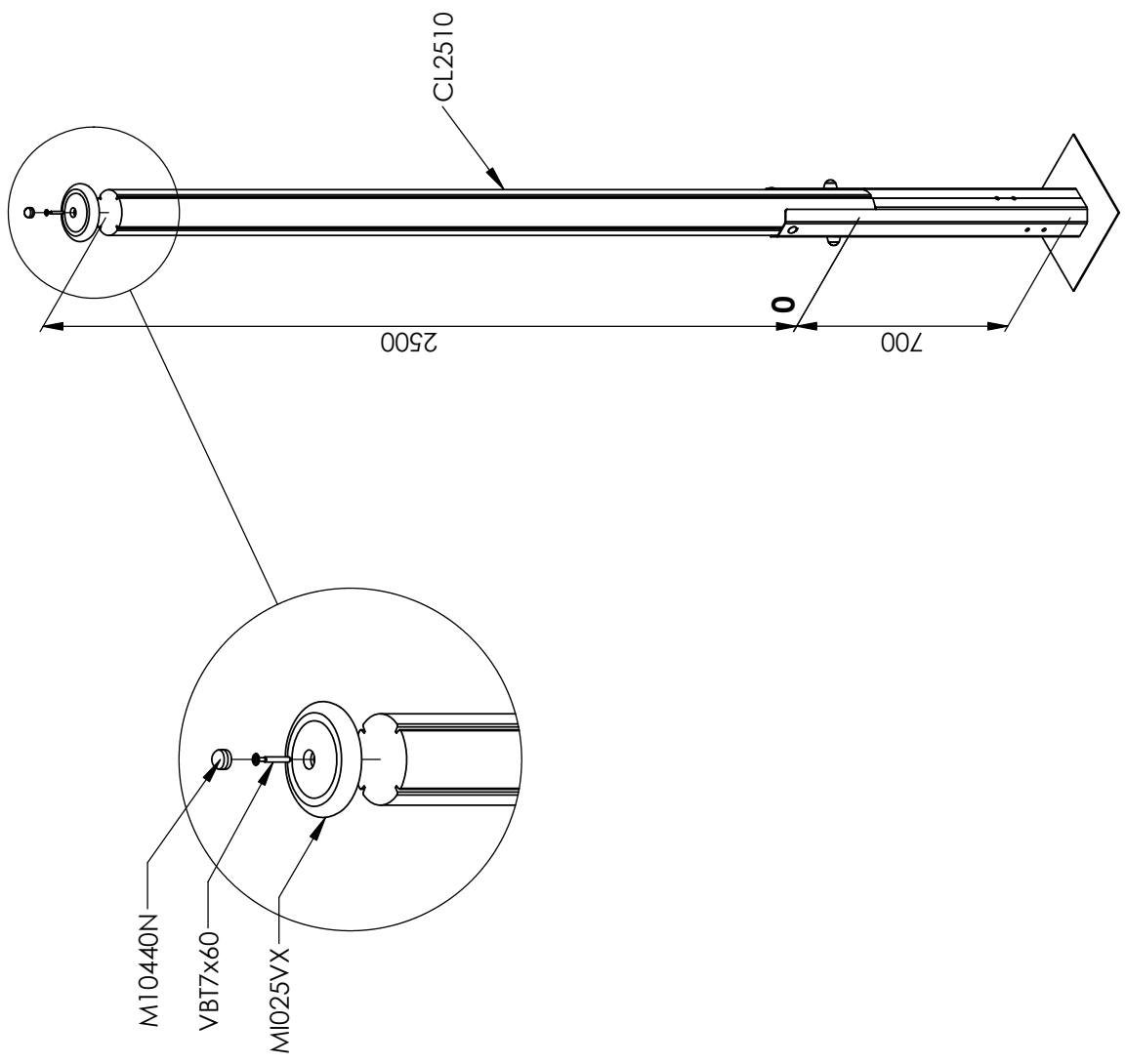




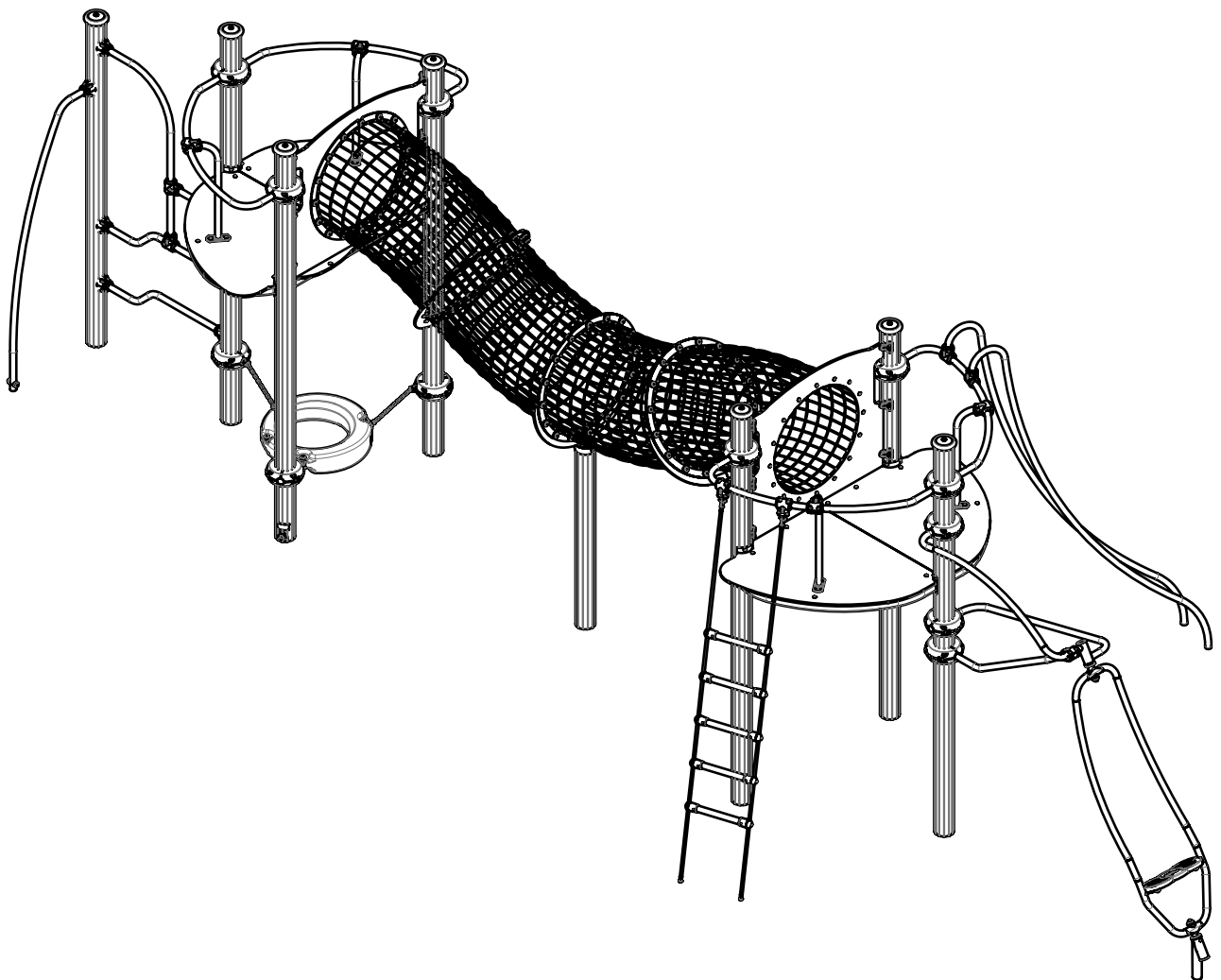




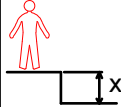
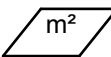




CL2510	1
LG2553	1
M10310N	3
M10440N	4
MI025VX	1
VBT7x60	1
VEFM10	1
VTF10x60	2
VTRCC10x140	1





N°		
1	0.6 m	3.5 m ²
2	0.7 m	7 m ²
3	1.95 m	63.5 m ²

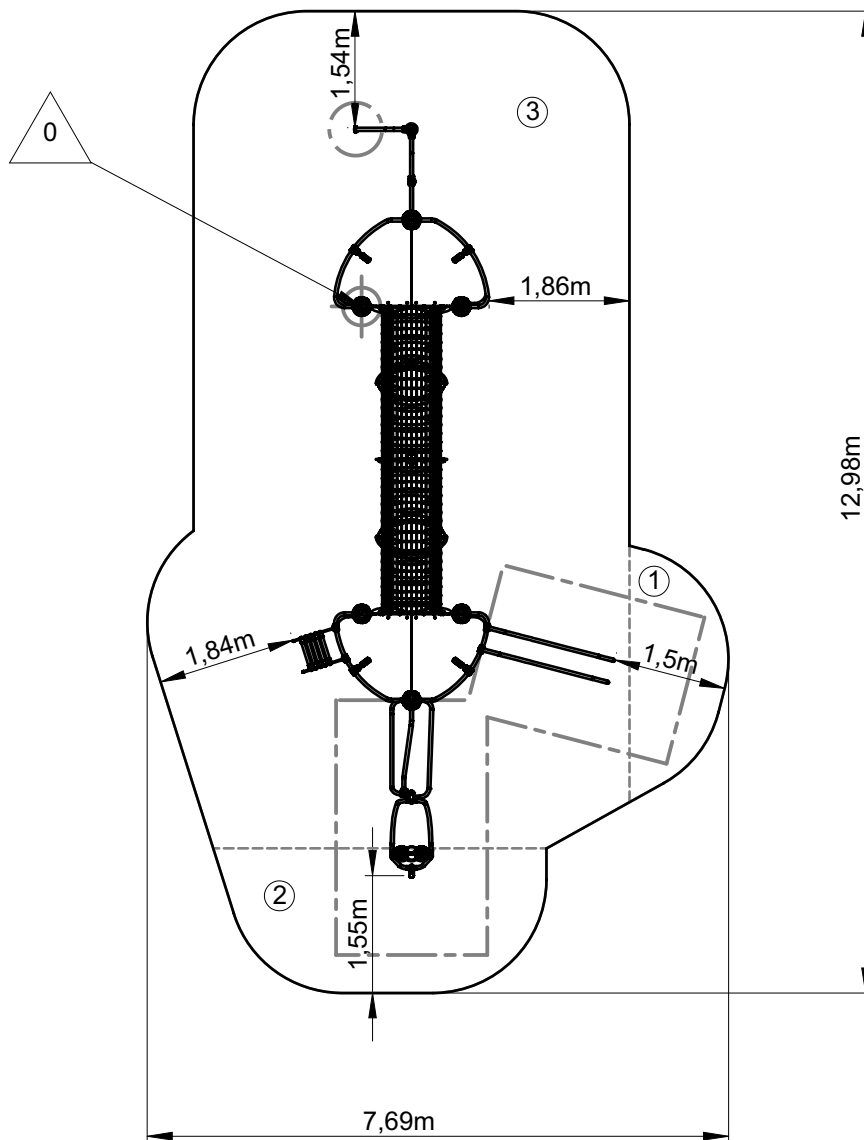
— Zone d'impact
Impact area
Area de impacto
Fallraum
Valzone

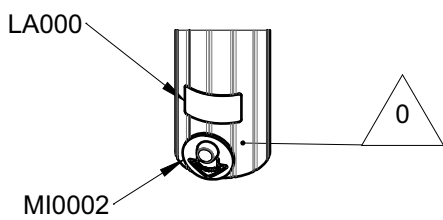
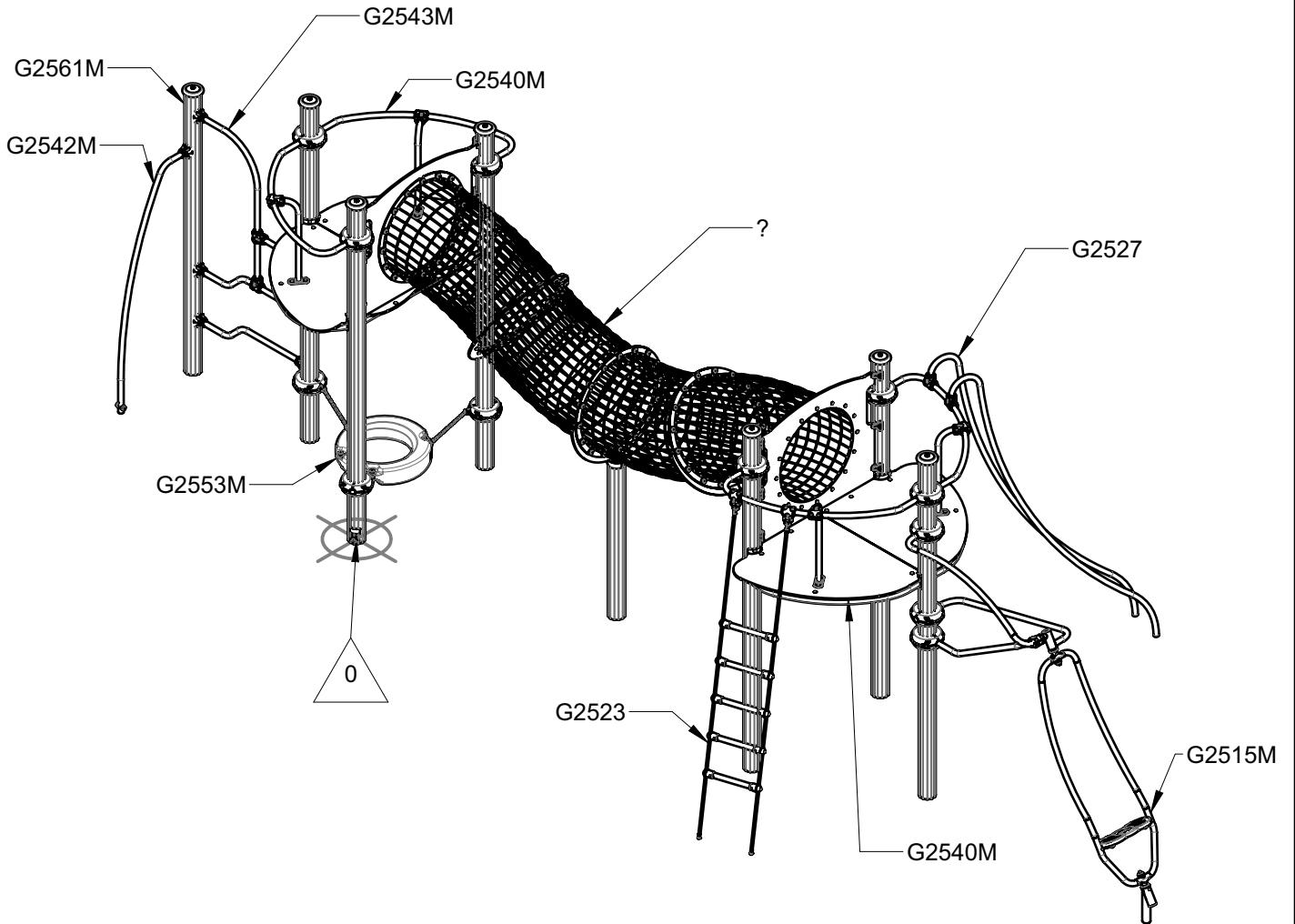


Point de référence
Setting out point
Punto de referencia
Bezugspunkt
Referentiepunt

- - - Espace libre
Free space
Espacio libre
Freiraum
Vrije ruimte

EN1176-1:2008

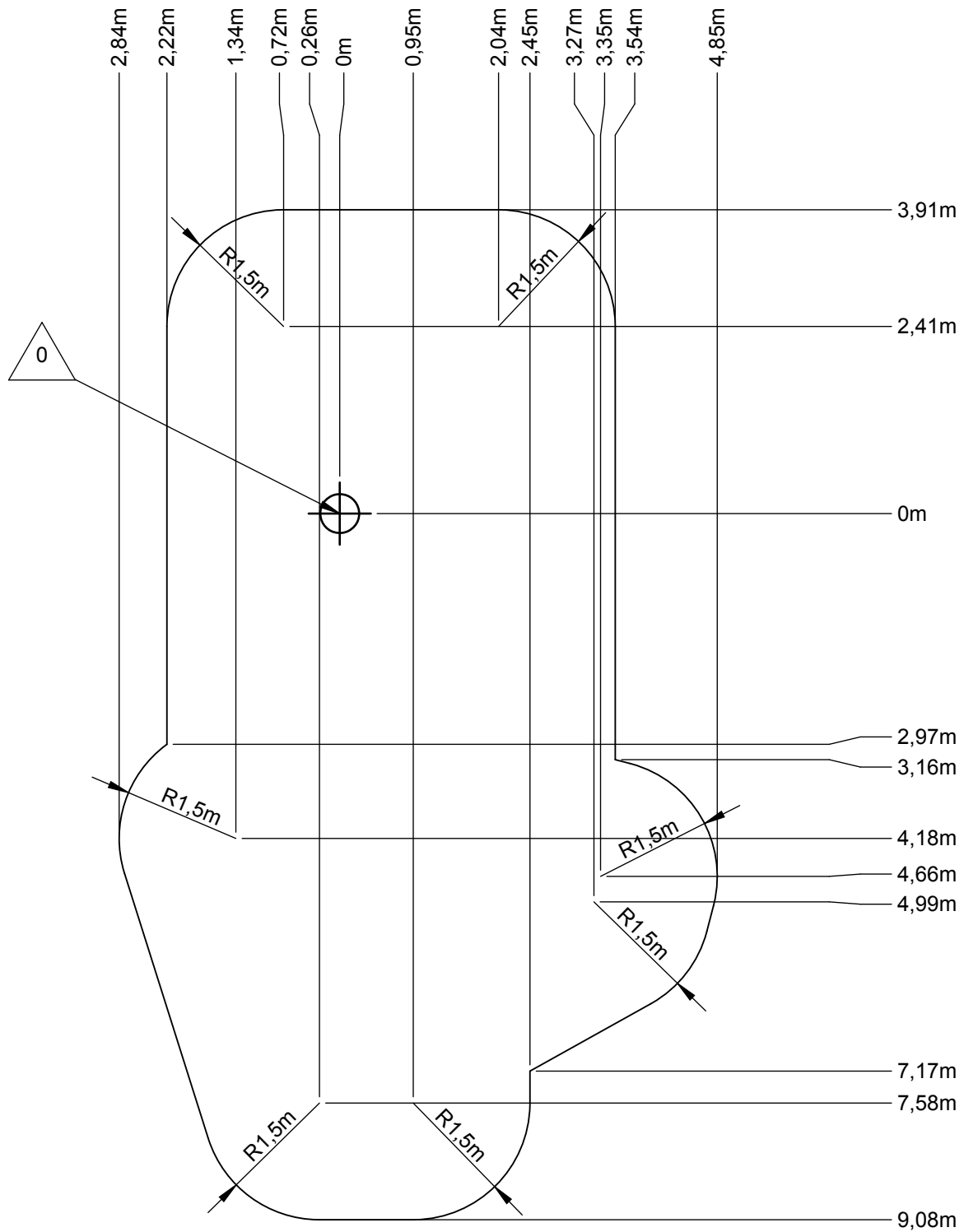




G2515M	1
G2523	1
G2527	1
G2540M	2
G2542M	1
G2543M	1
G2553M	1
G2556M	1
G2561M	1
LA000	1
M8310N	1
M8440N	1
MI0002	1
VTH6x30A	1

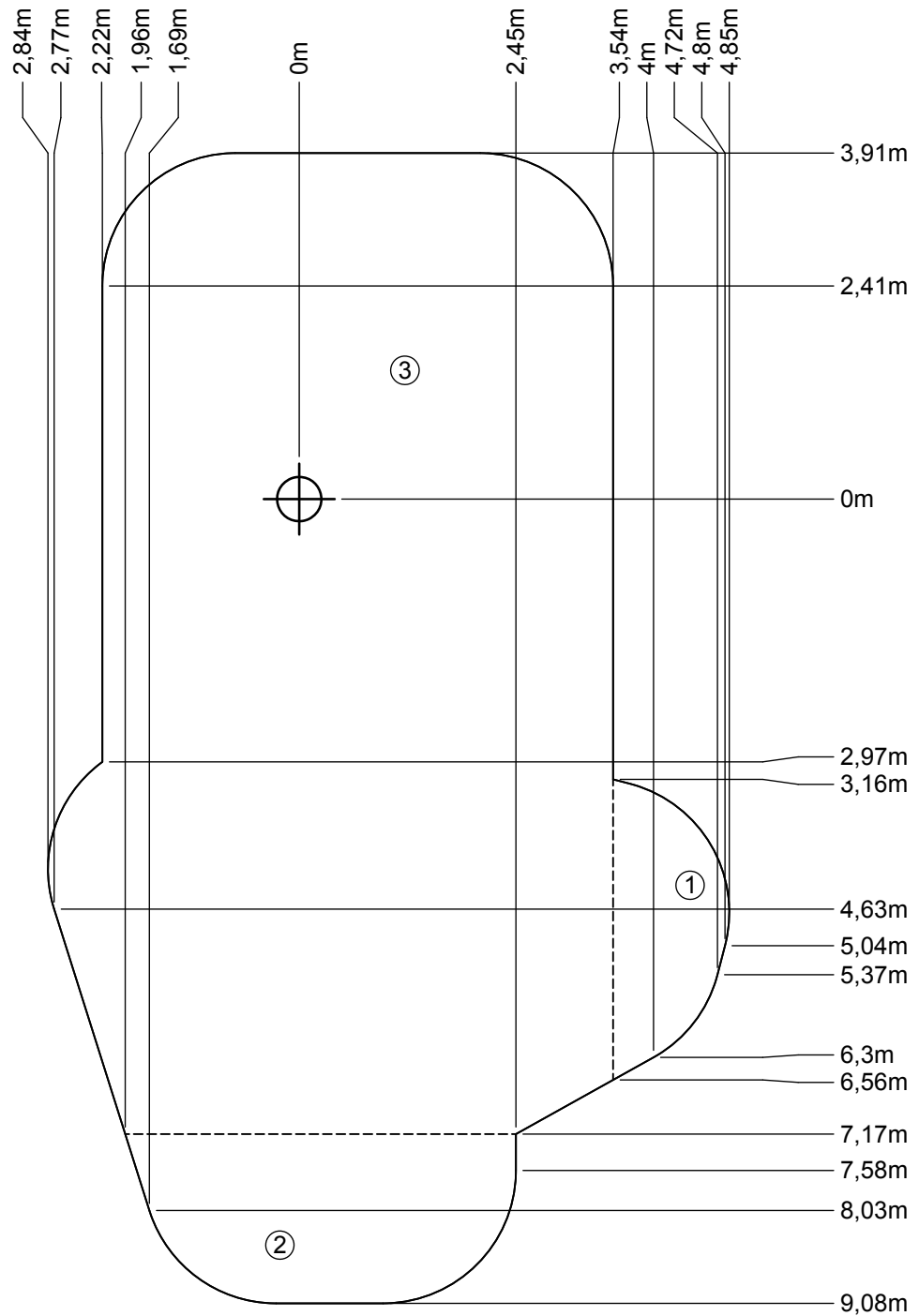
— Zone d'impact
 Impact area
 Area de impacto
 Fallraum
 Valzone

74 m²



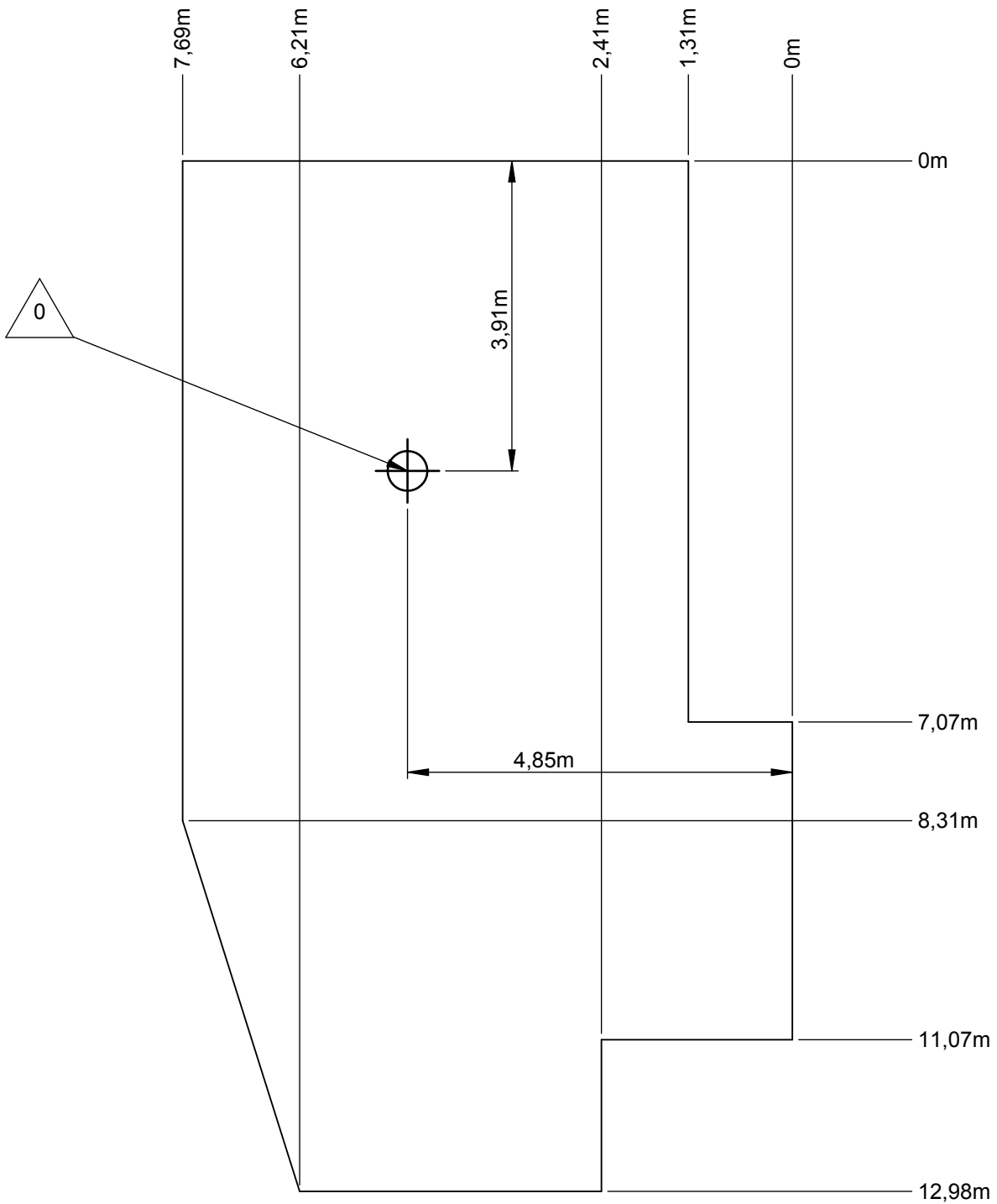
— Sol souple
 — Wetpour
 — Caucho continuo
 — Synthetischer fallschutz
 — Gietvloer

74 m²

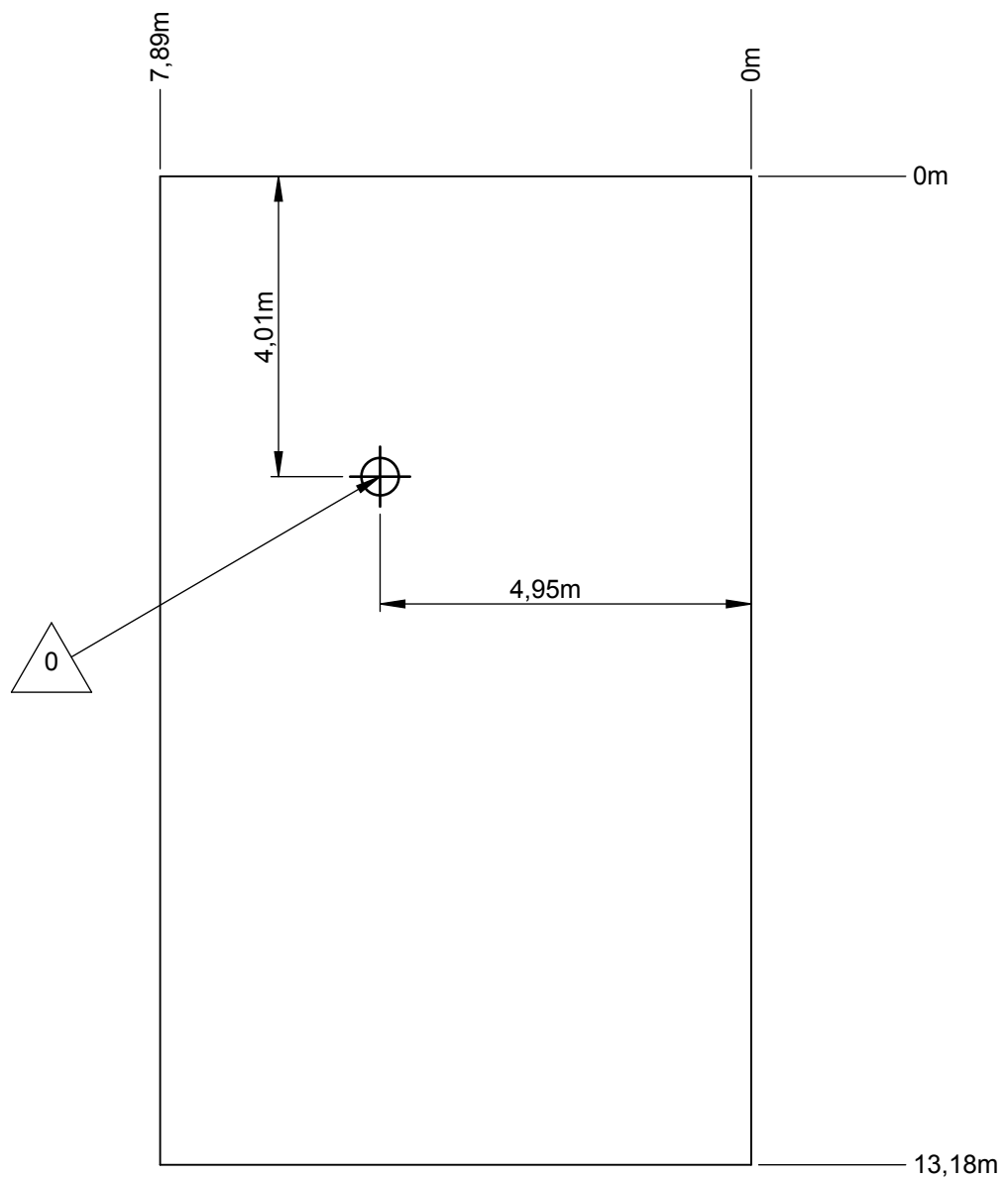


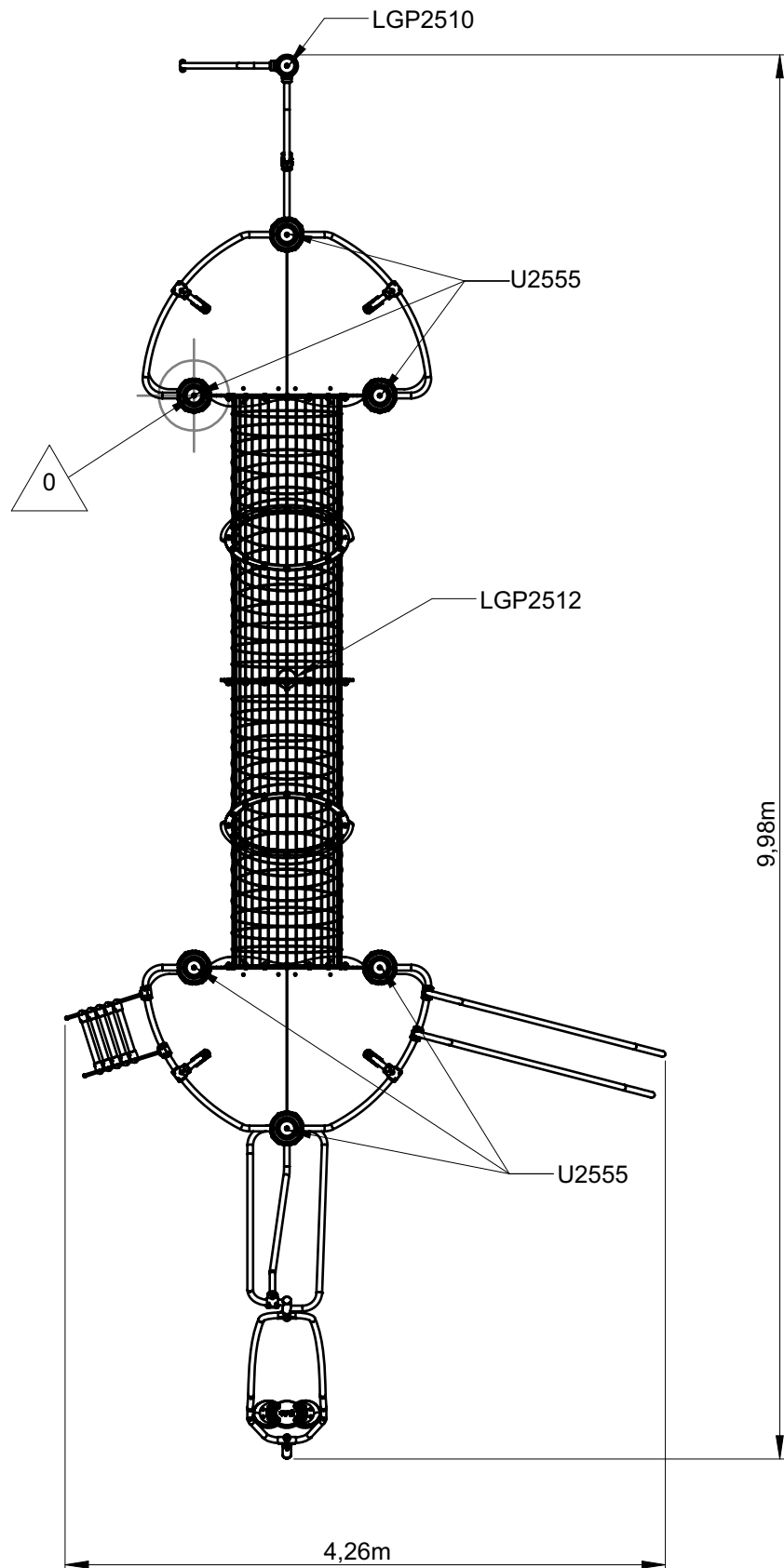
— Dalle béton
 Concrete pad
 Solera de hormigon
 Beton bodenplatte
 Betonnen bodemlaai

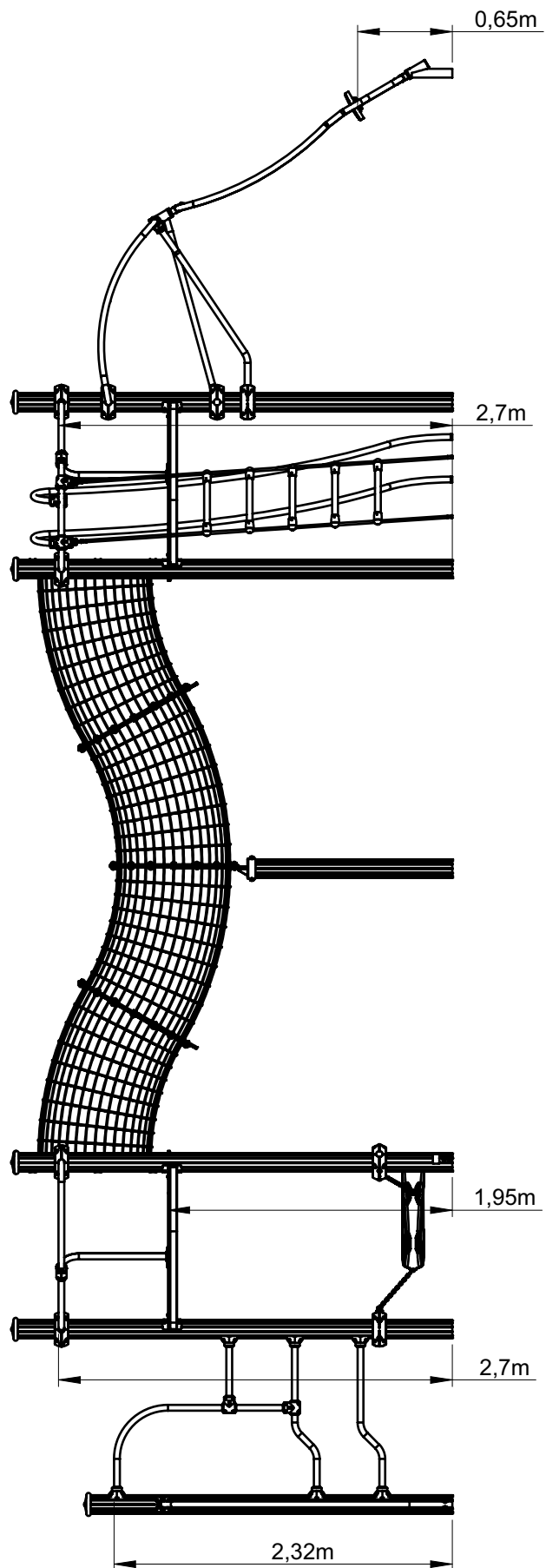
40 m
 83 m²



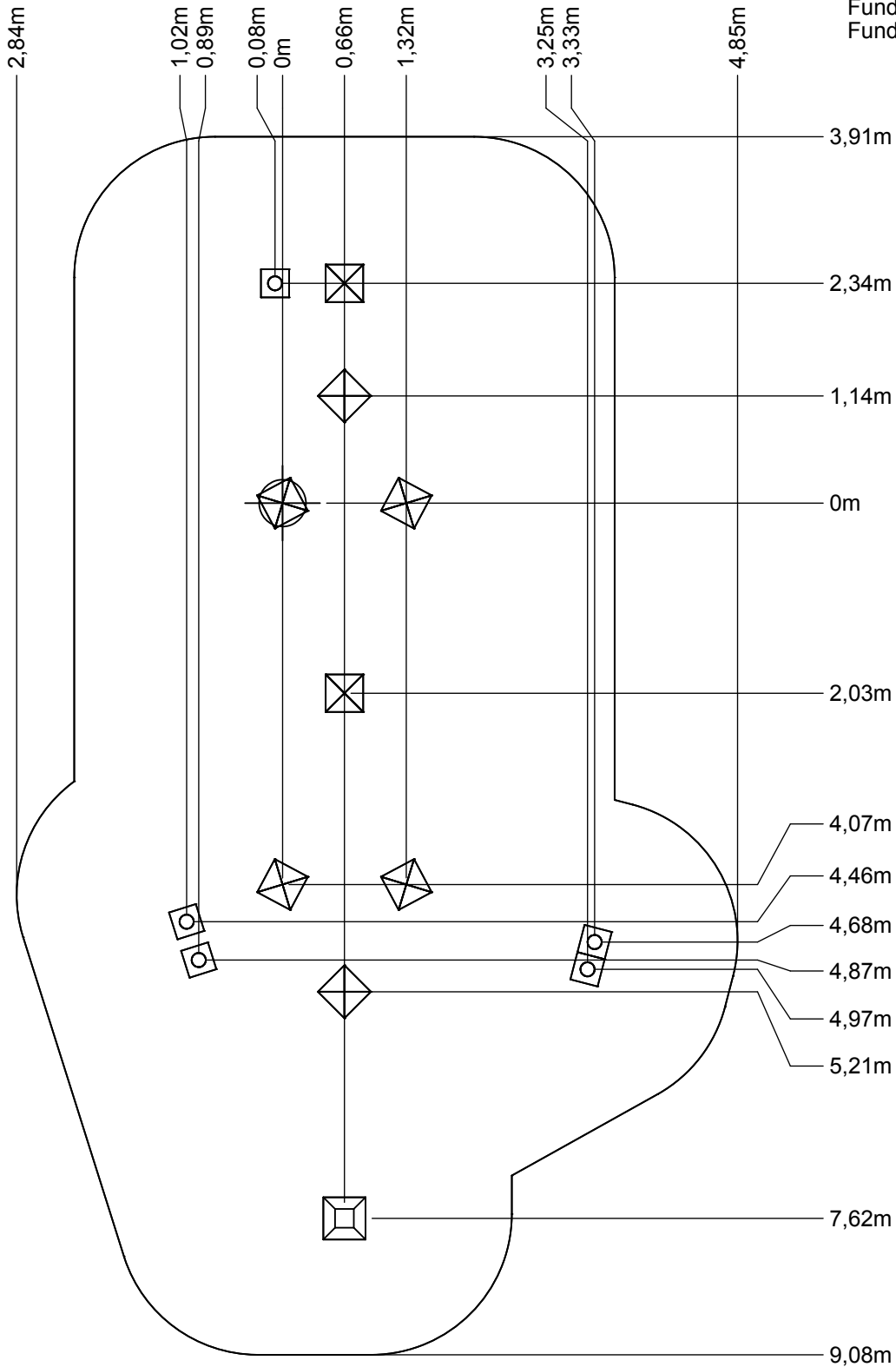
— Sol fluent
Loos partucule material 43 m
Arenero
Loses Bodenmaterial 104 m²
Los bodemateriaal






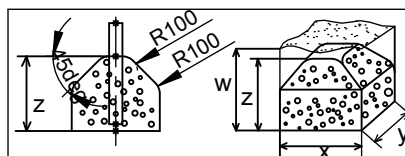







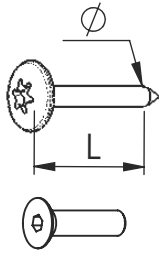
Implantation
 Footing plan
 Implantación
 Fundamentplan
 Funderingstekening



 x2
 7H
 1 m³

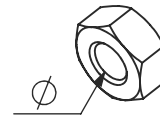


	x	y	z	w
	0.3	0.3	0.3	0.6
	0.4	0.4	0.6	0.8
	0.45	0.45	0.4	0.8



VBT 6 x 30
 \varnothing \uparrow L (mm)

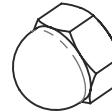
VFHC



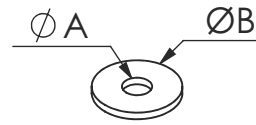
VEC M10
 \varnothing



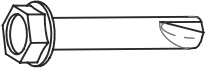
VEF




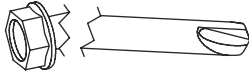
VEB



VR6x18
 \varnothing A \varnothing B




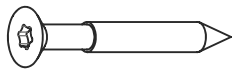
VTHA

1000 - 1800 tr/min
 Vitesse de rotation
 Rotation speed

14 N.m
 Couple de rupture
 Torque of break

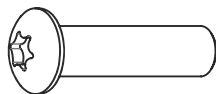




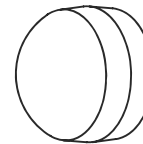
VWT



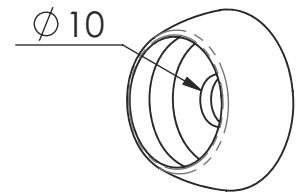
VGC



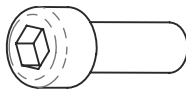
VCBHC



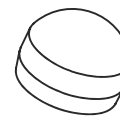
M10 440N



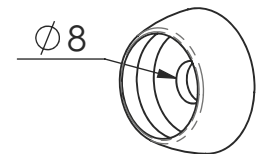
M10 310 N



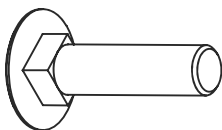
VBTR



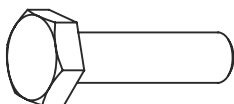
M8440N



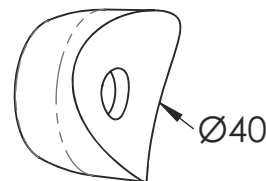
M8310N



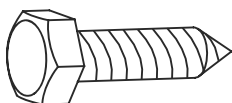
VTRCC



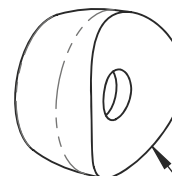
VTH



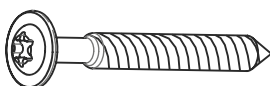
MI2503



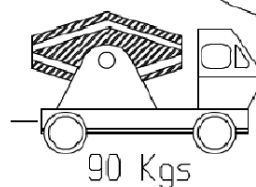
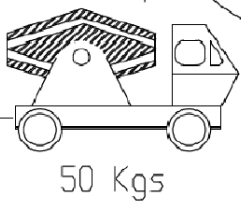
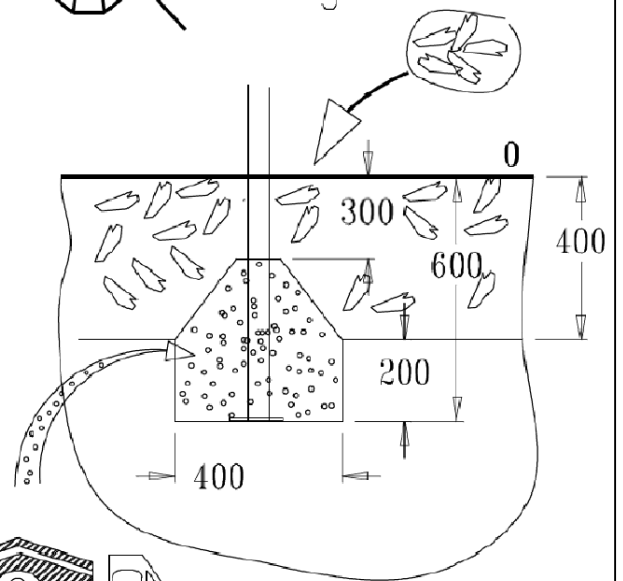
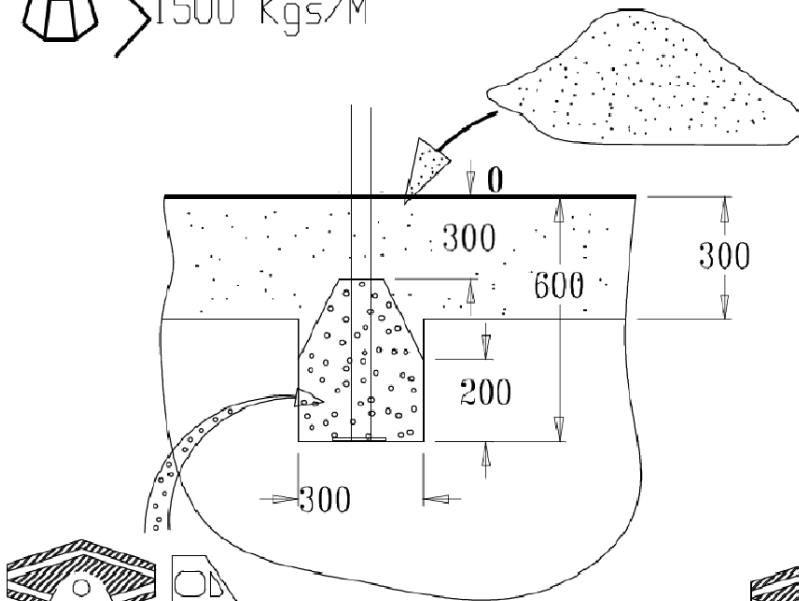
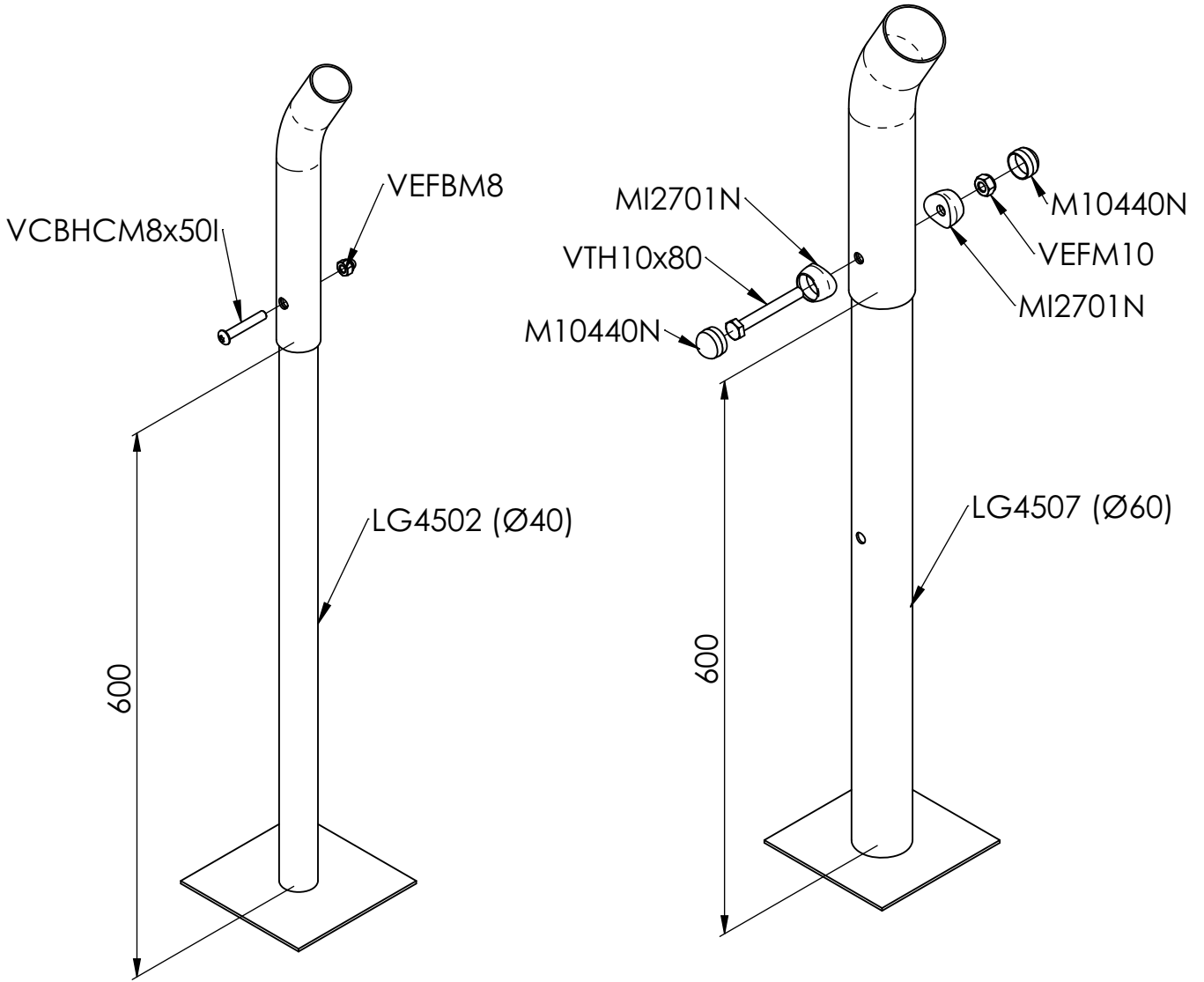
VTF

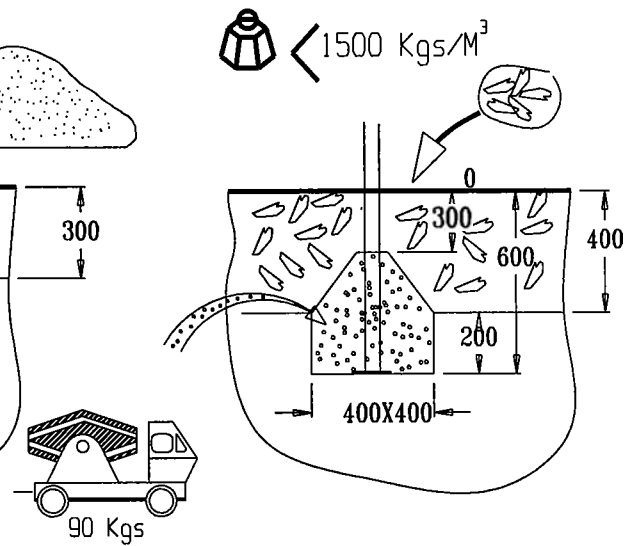
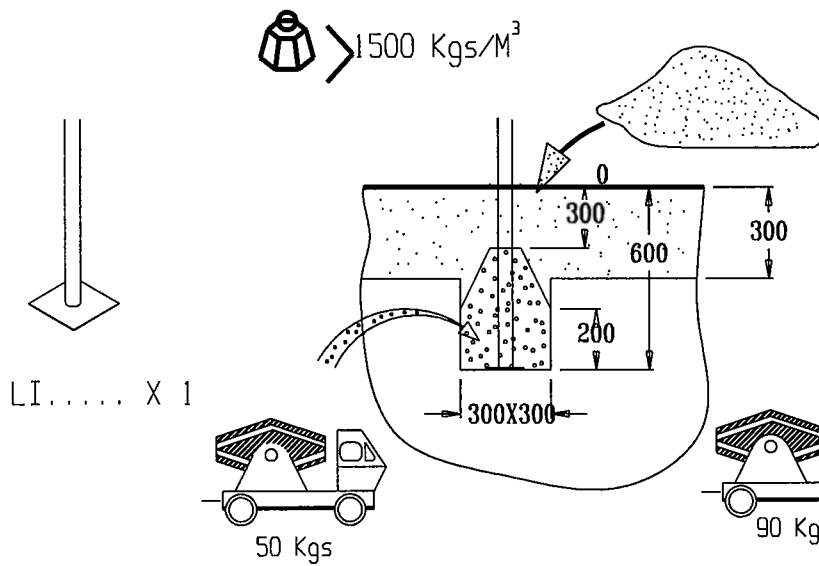
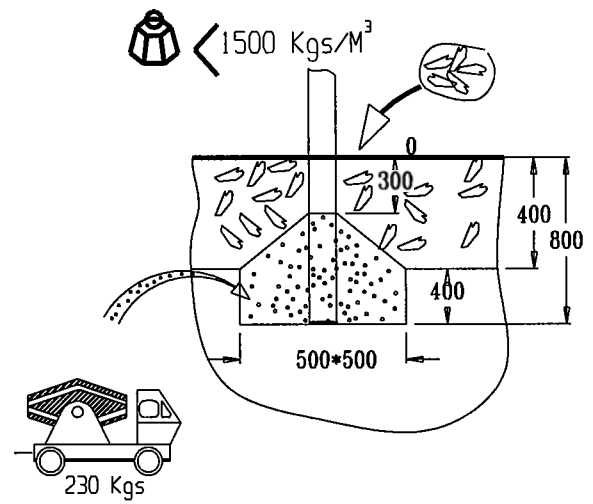
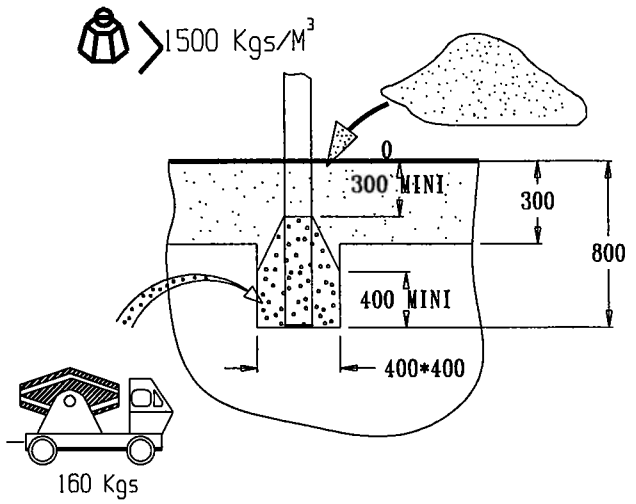
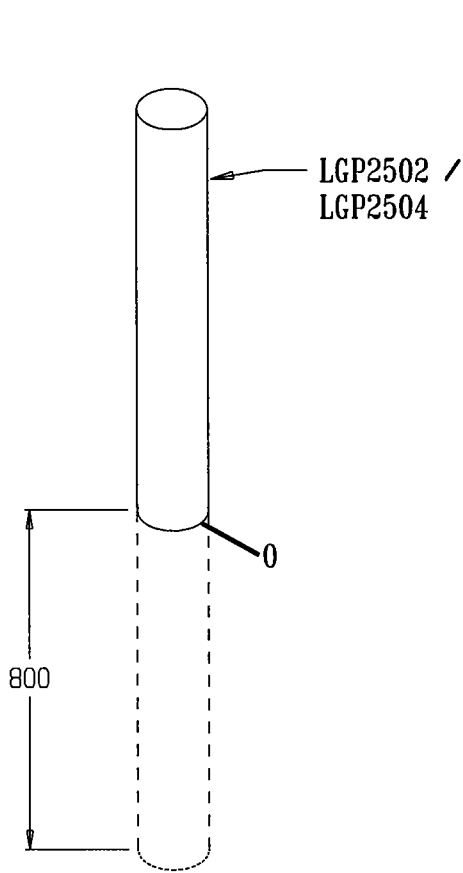


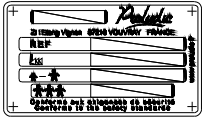
MI2701



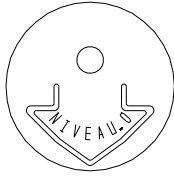
VBT



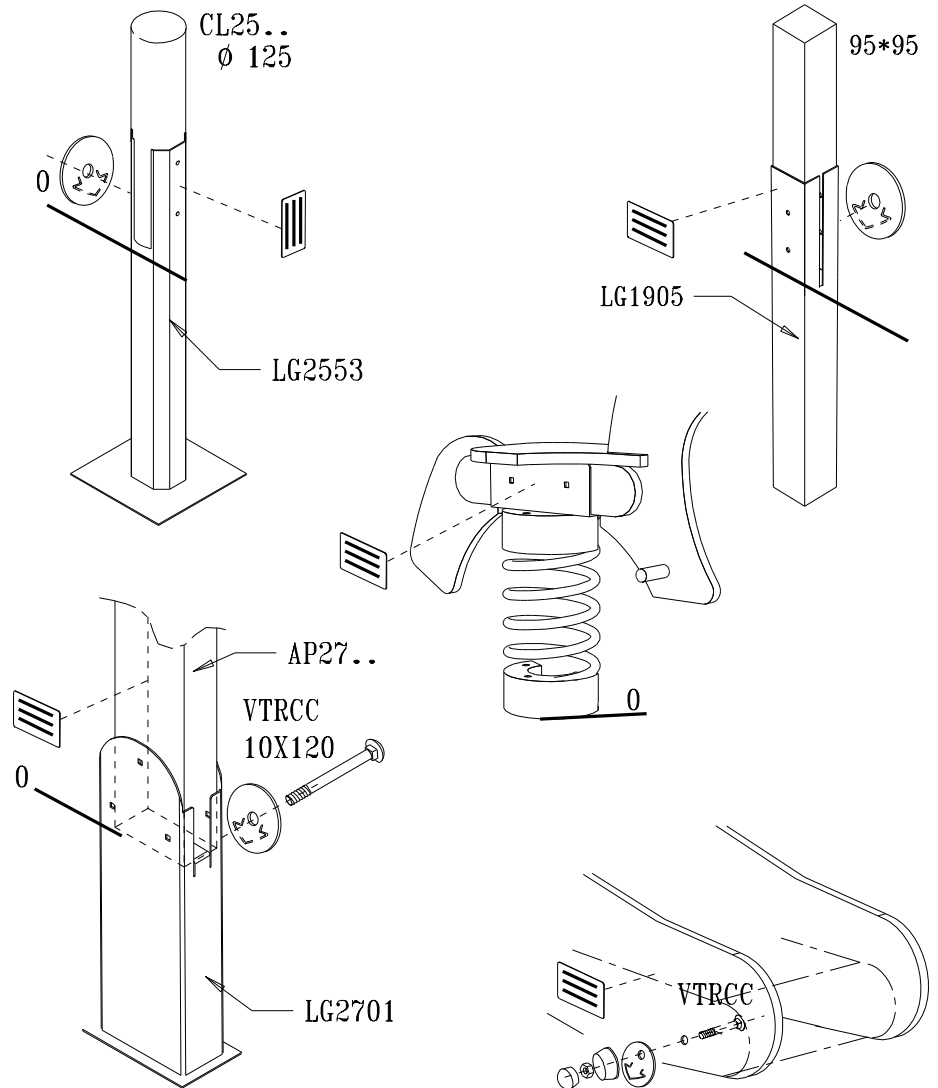
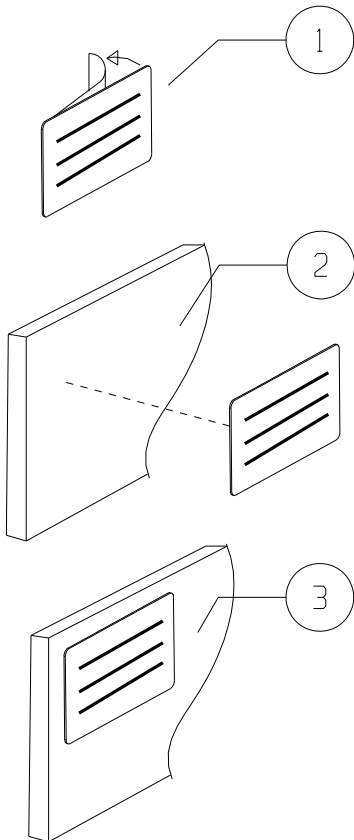
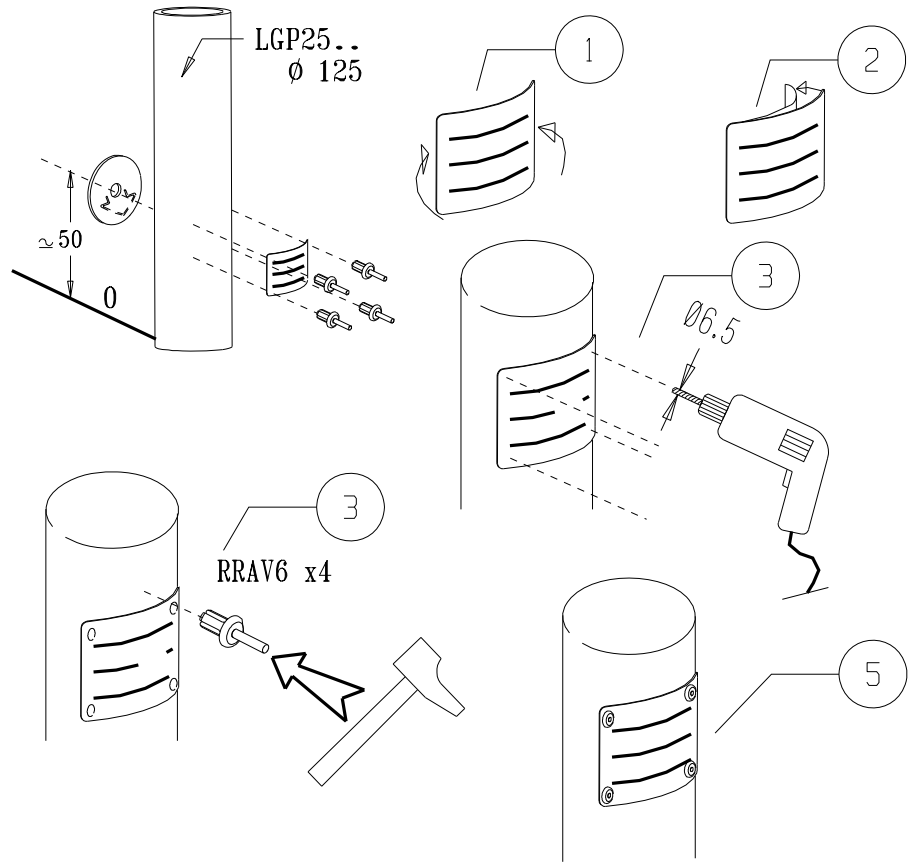


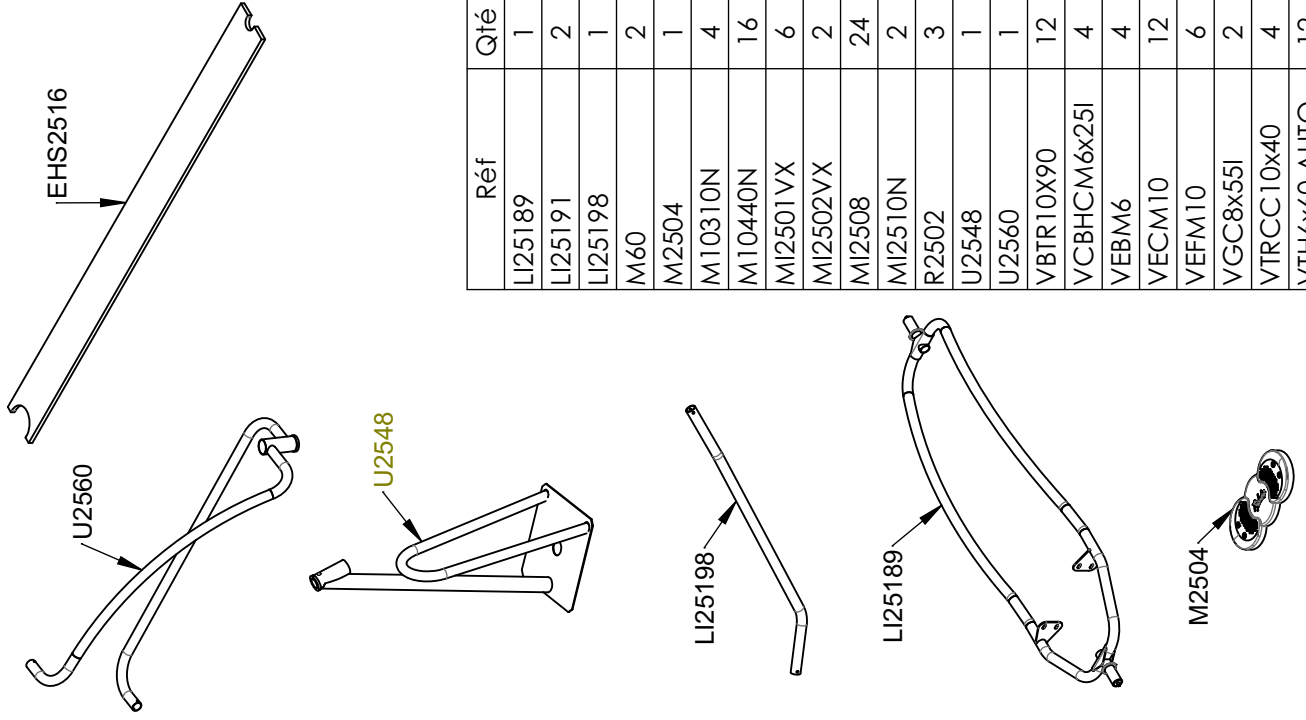
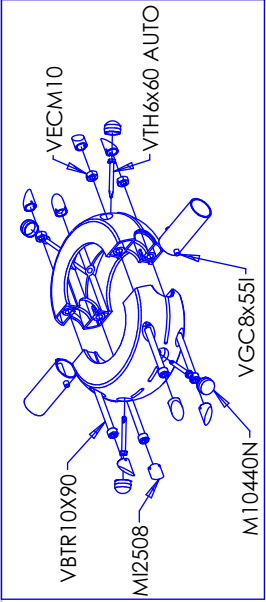
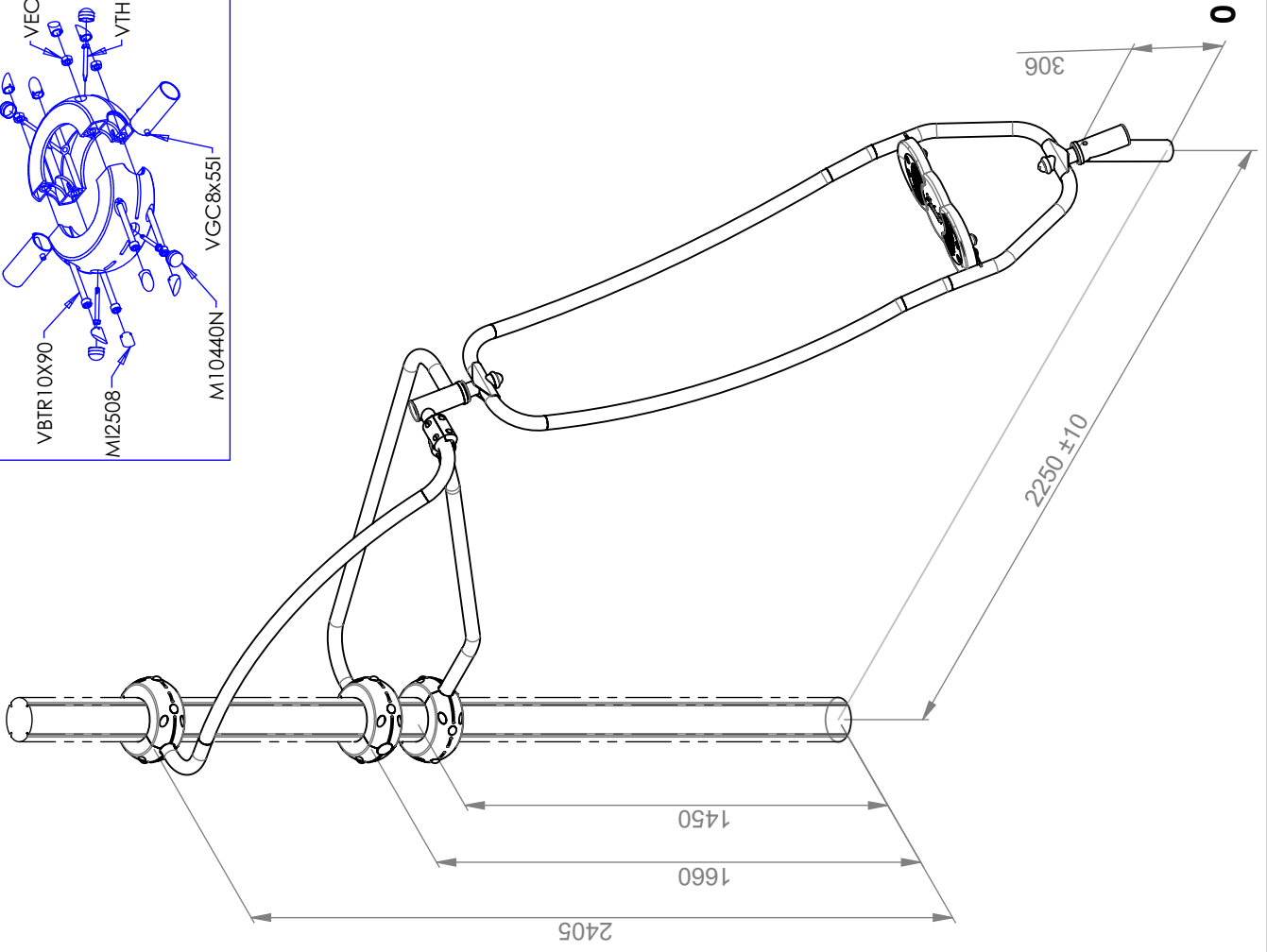


LA000

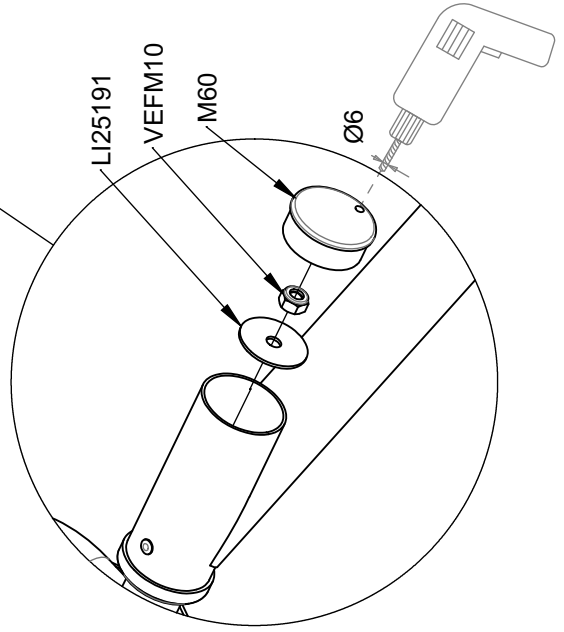
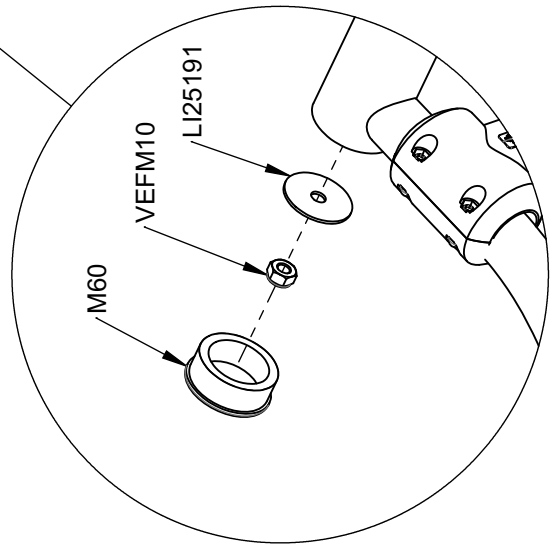
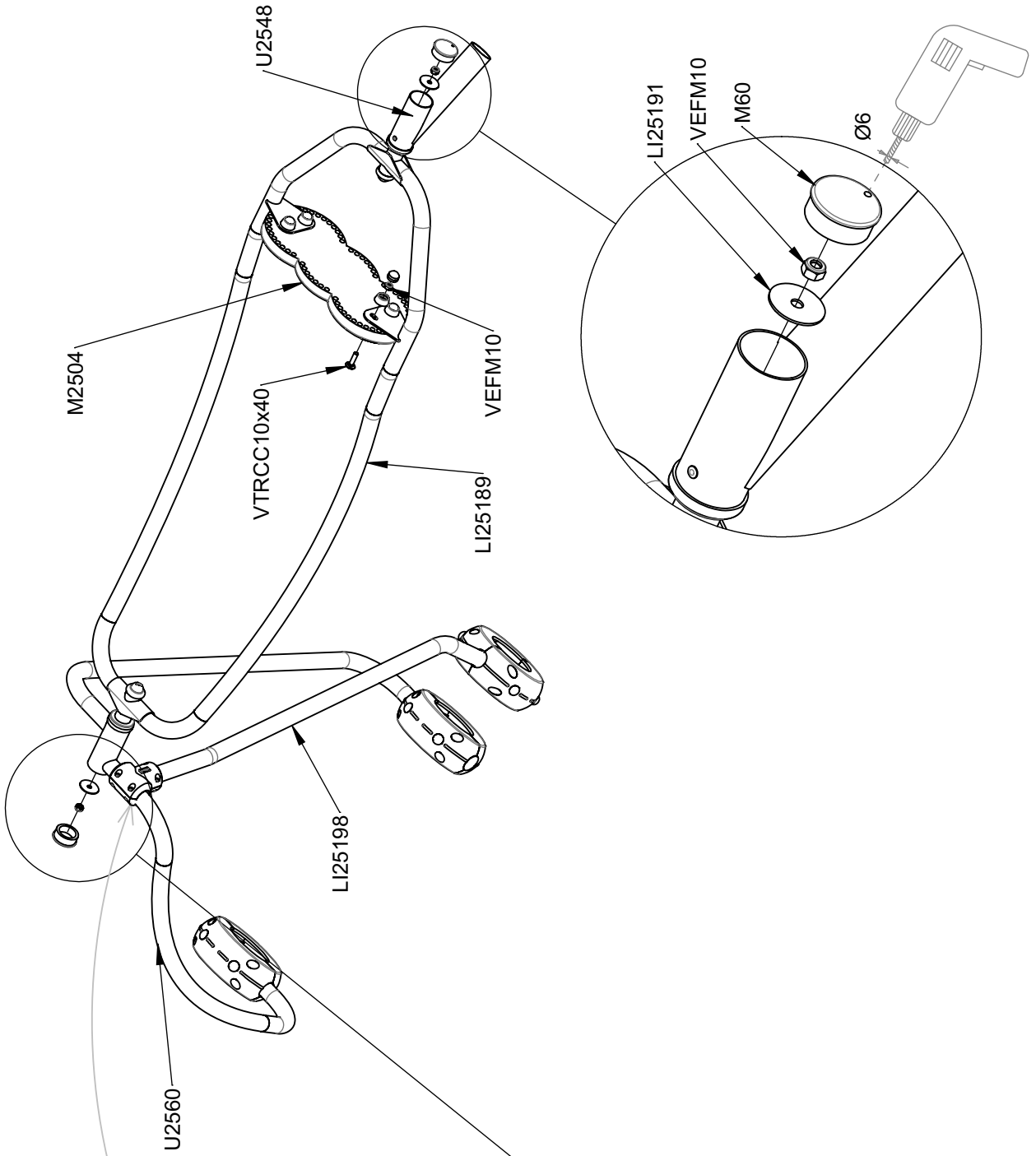
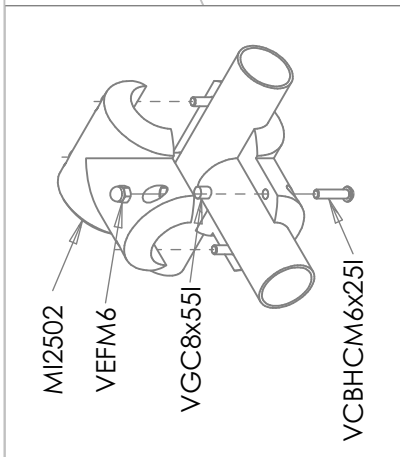


MI0002

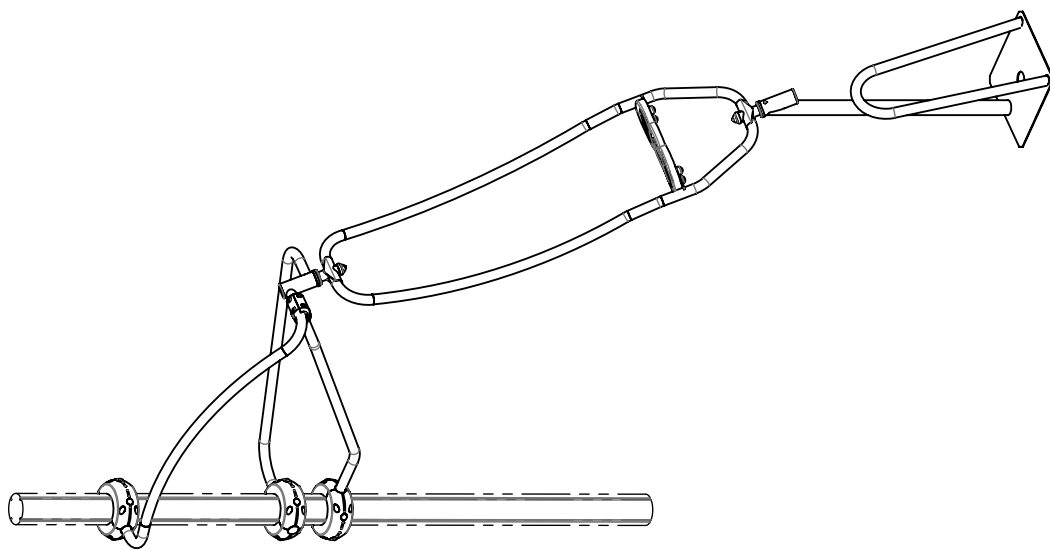




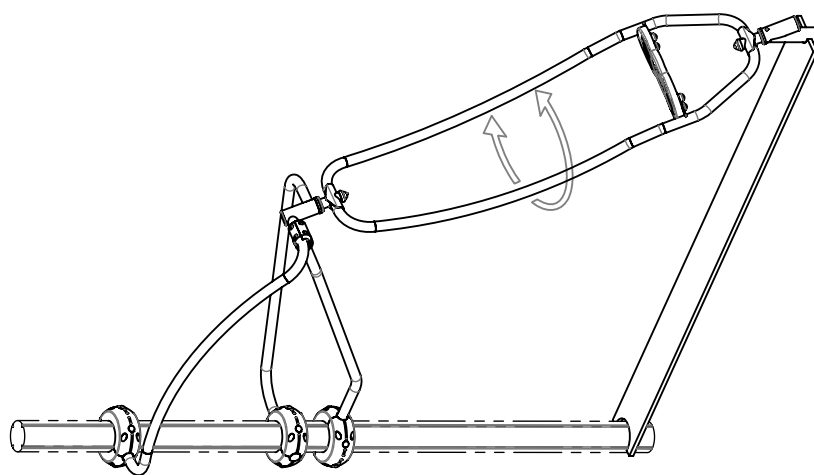
Réf	Qté
LI25189	1
LI25191	2
LI25198	1
M60	2
M2504	1
M10310N	4
M10440N	16
M12501VX	6
M12502VX	2
M12508	24
M12510N	2
R2502	3
U2548	1
U2560	1
VBTR10X90	12
VCBHC6x25I	4
VEBM6	4
VECM10	12
VEFM10	6
VGC8x55I	2
VTRCC10x40	4
VTH6x60 AUTO	12



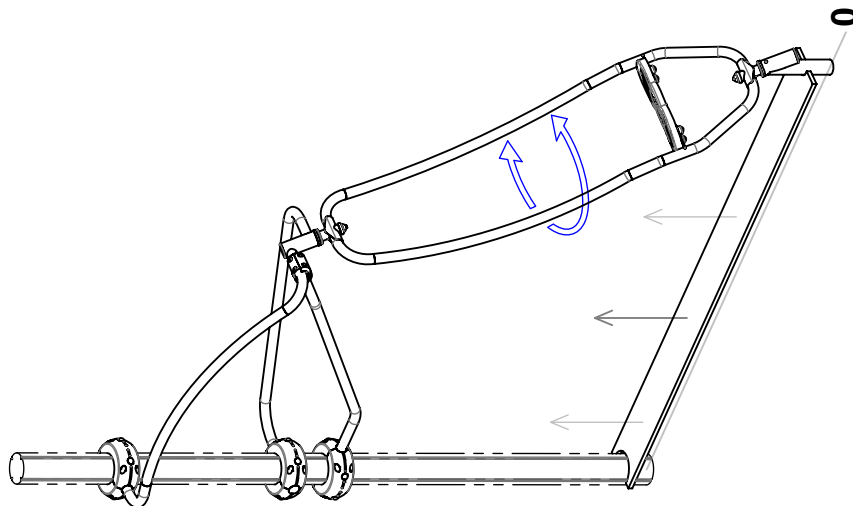
①

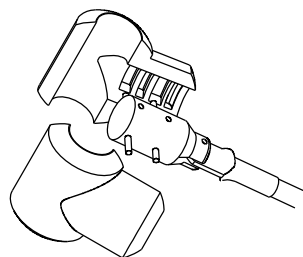
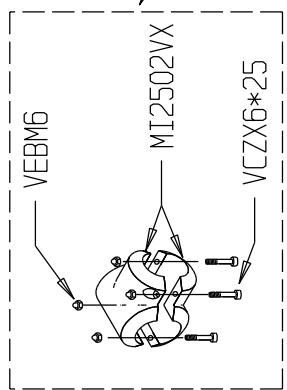


②

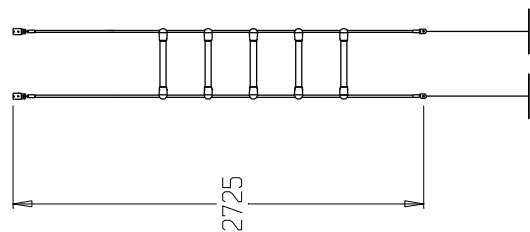
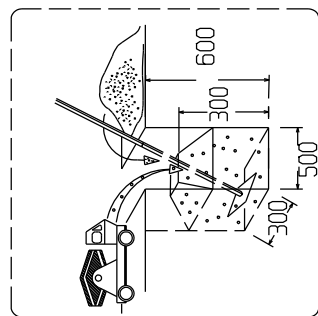
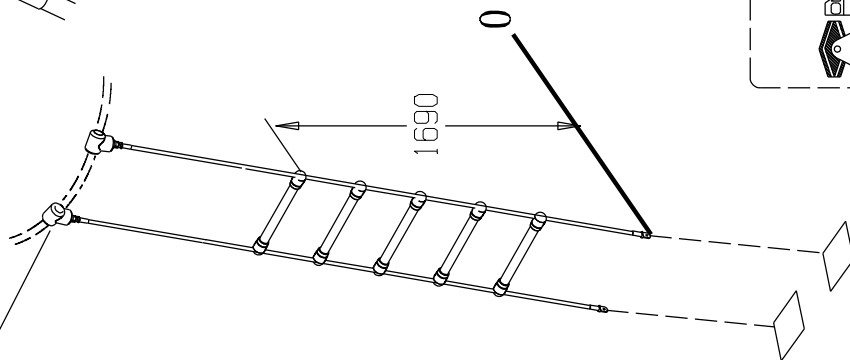
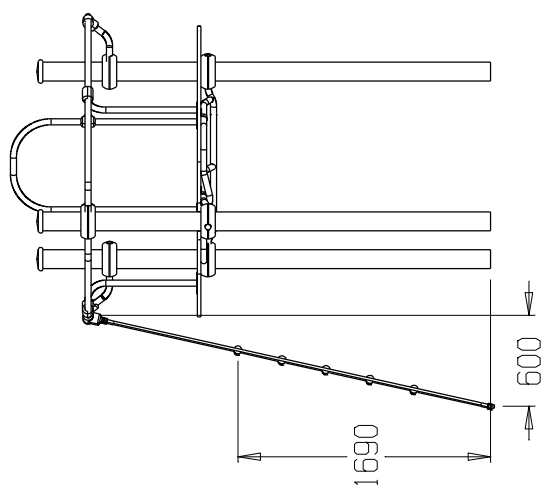


③



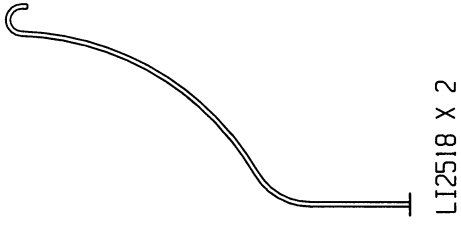
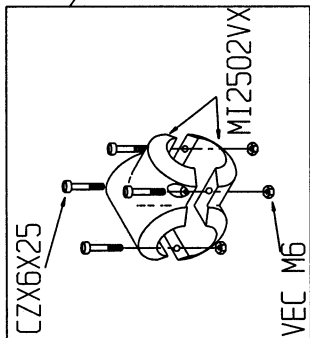


MI2502VX X 4

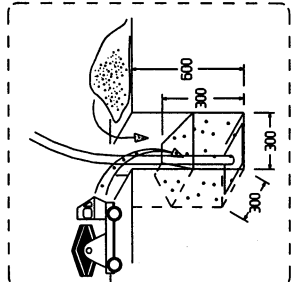
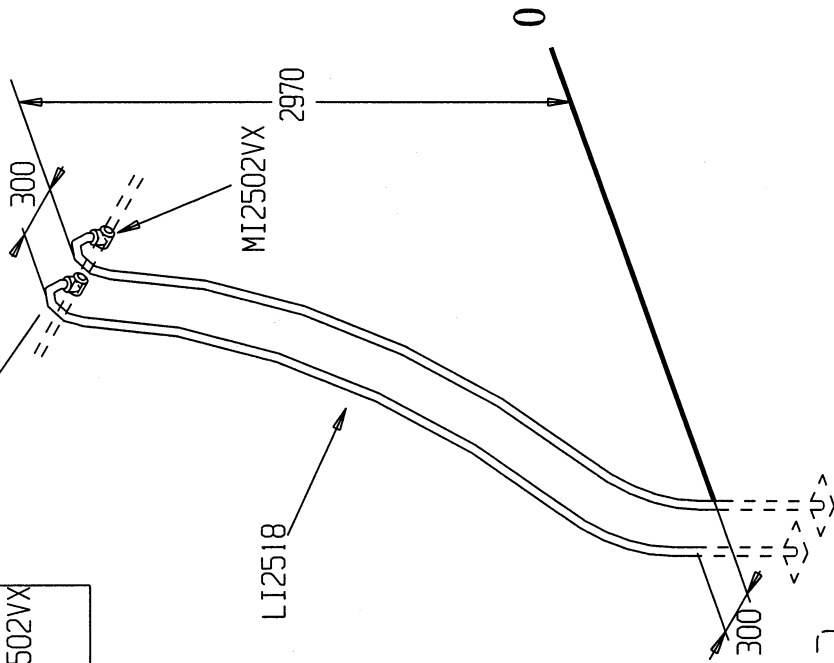


U2544x 1
Lg 2725

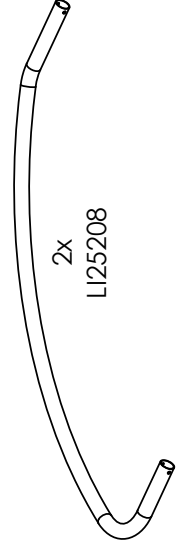
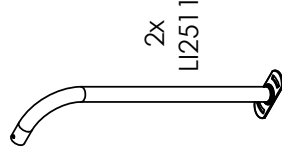
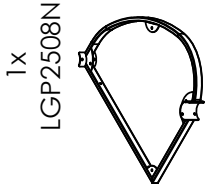
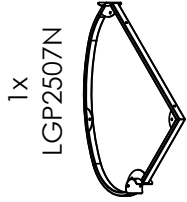
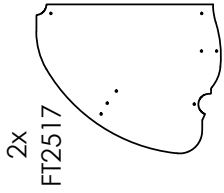
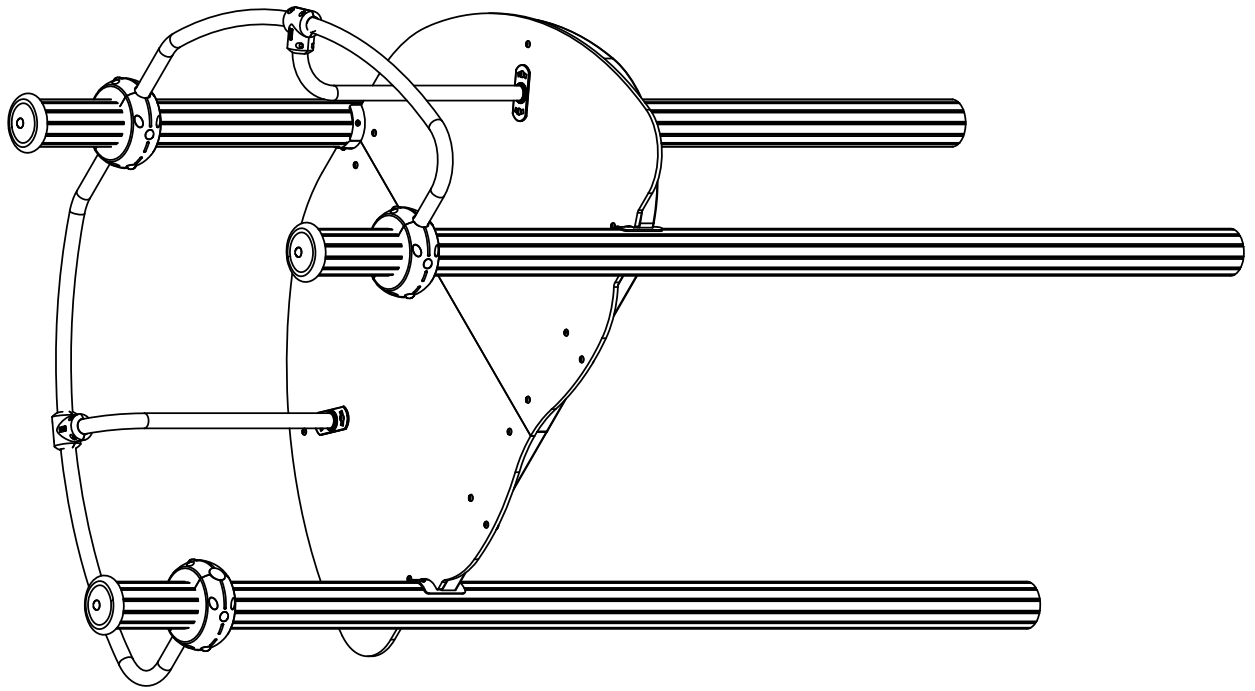
	VCZX 6x25	8
	VEBM6	8



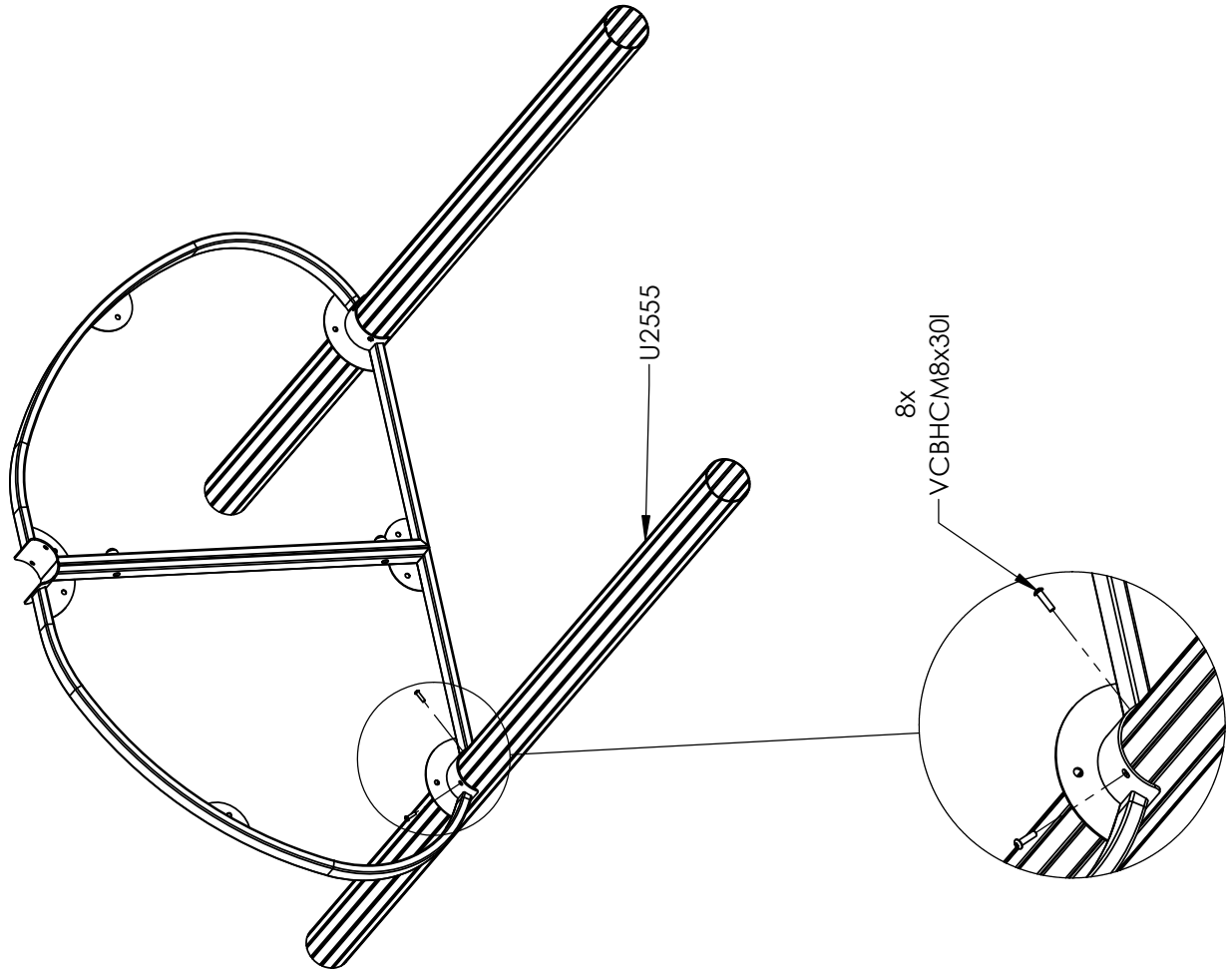
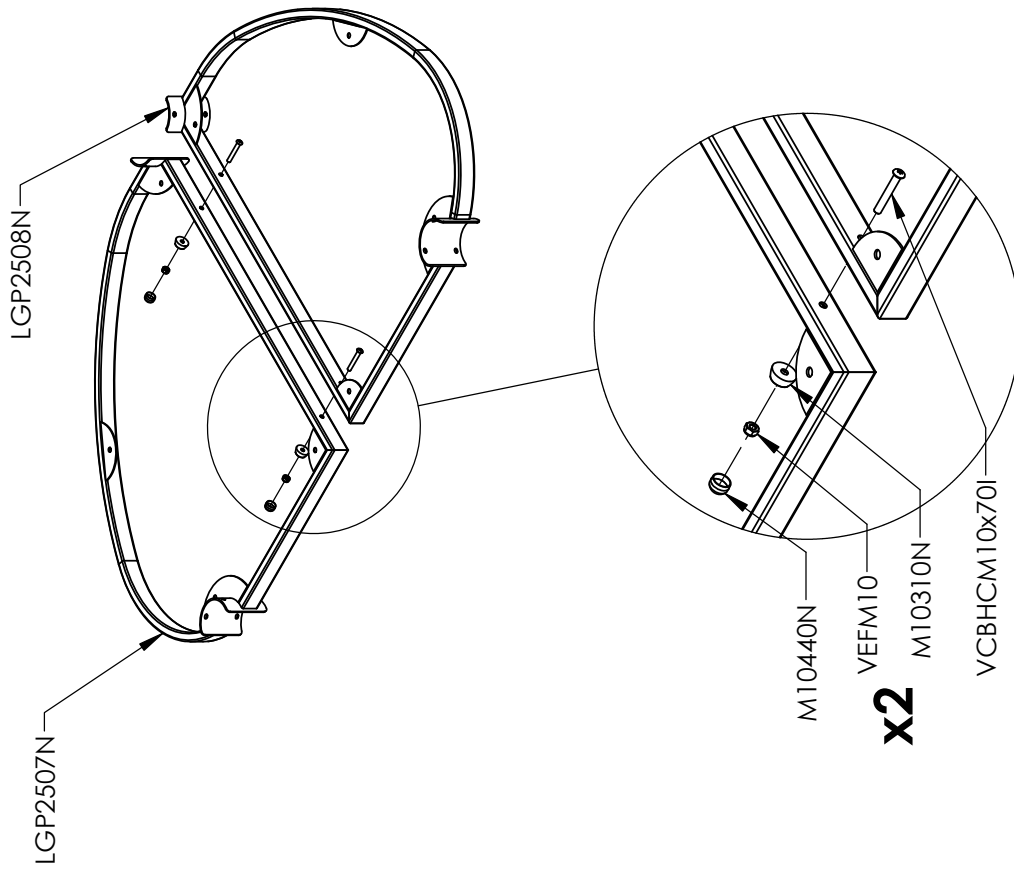
MI2502VX X 4

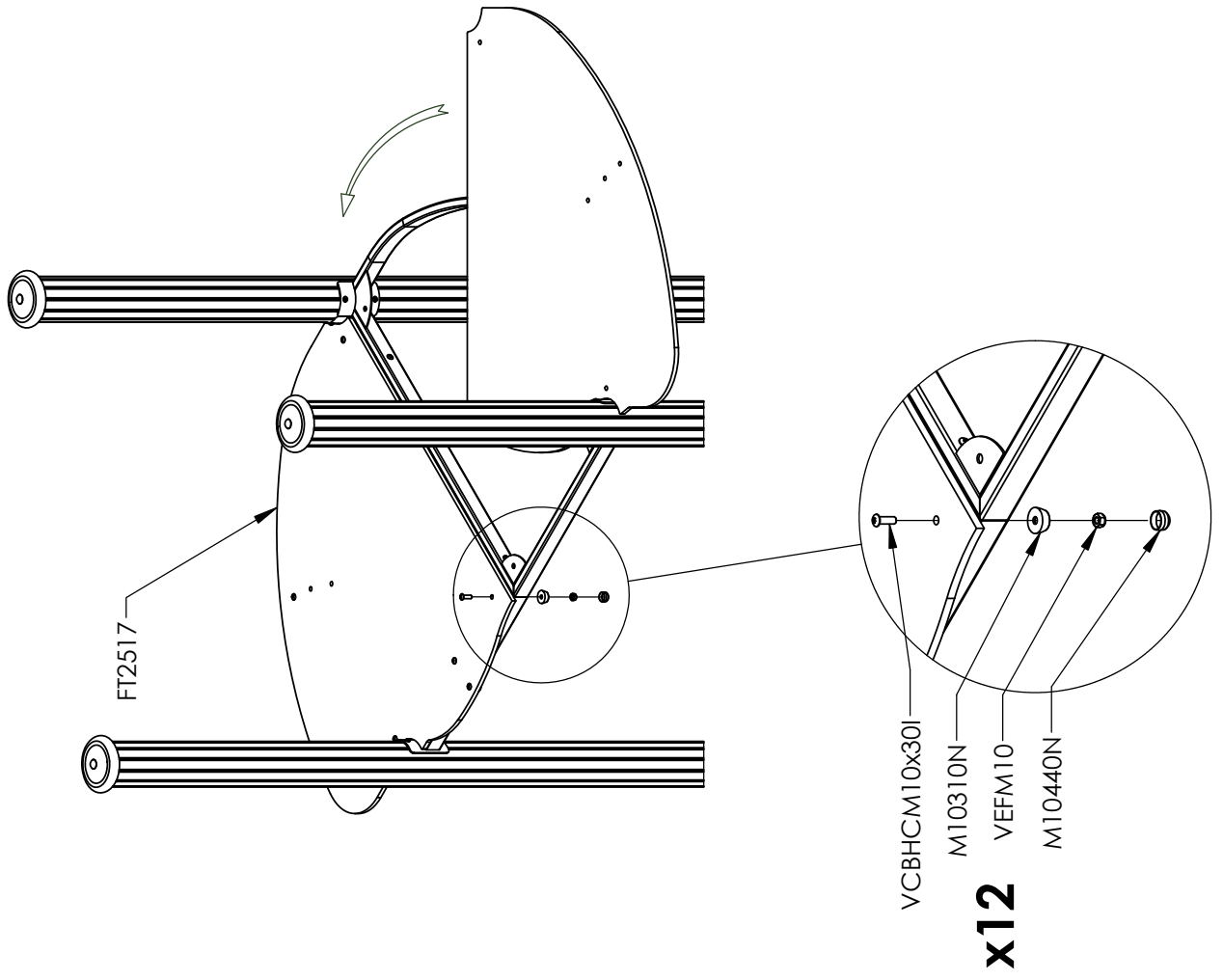
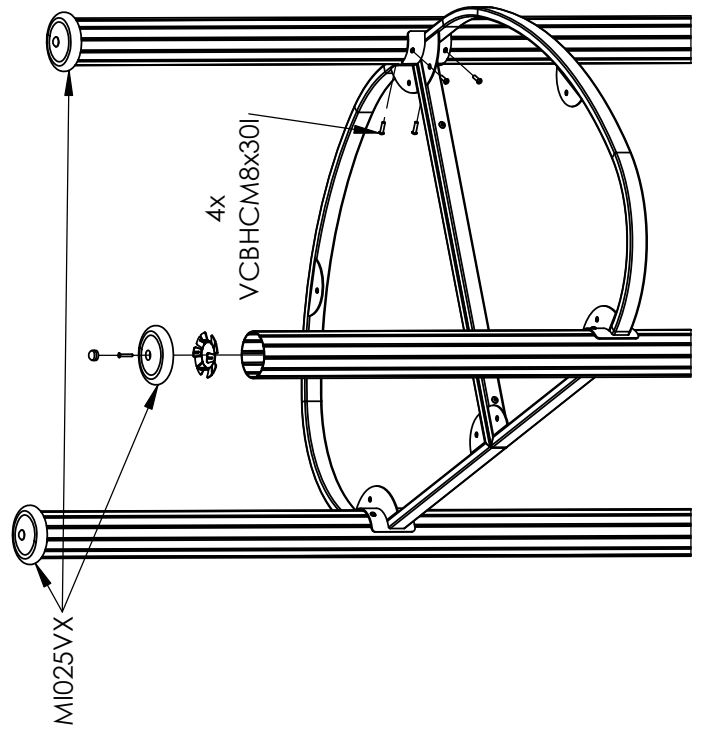
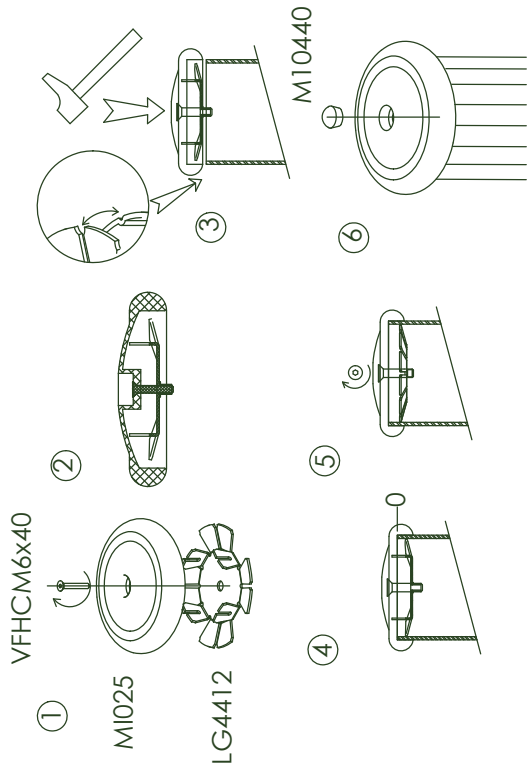


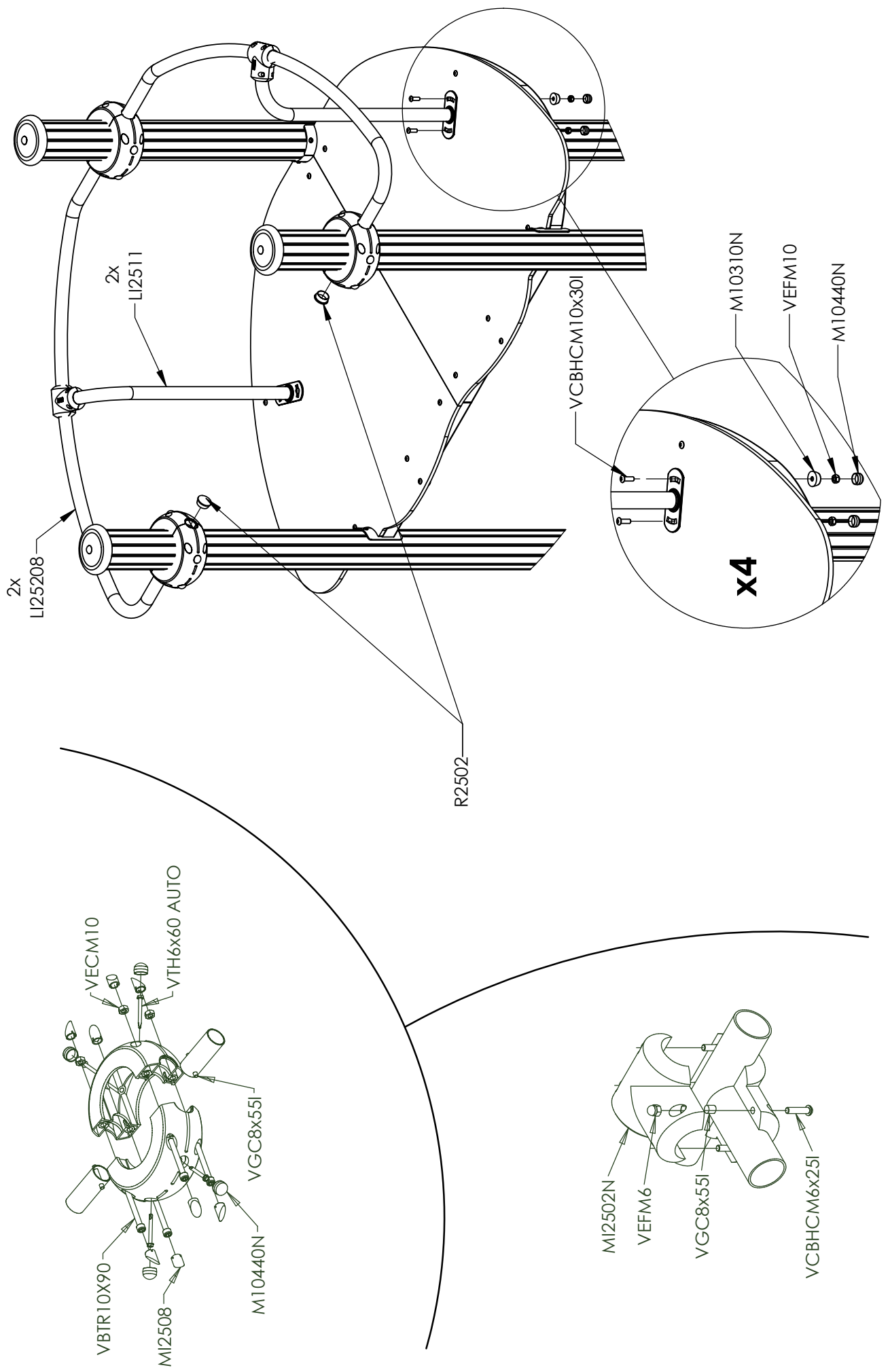
⊕	VECM6	8
⊕	VCZX 6x25	8

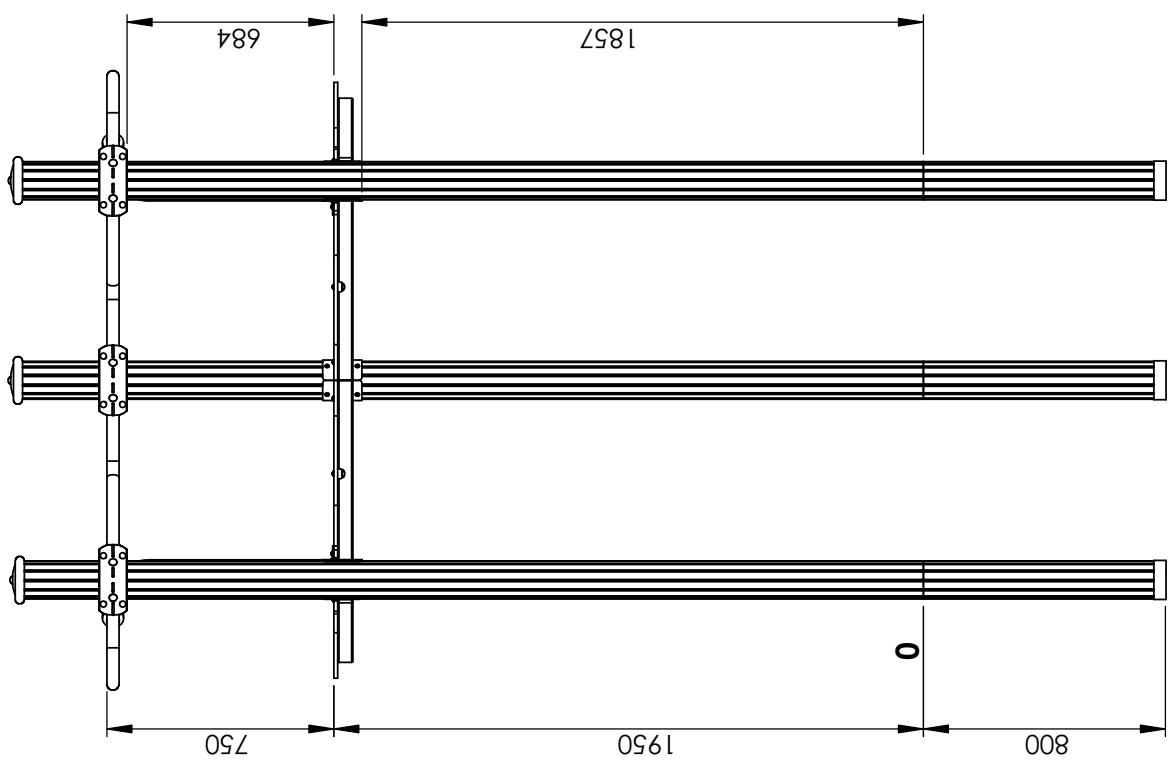
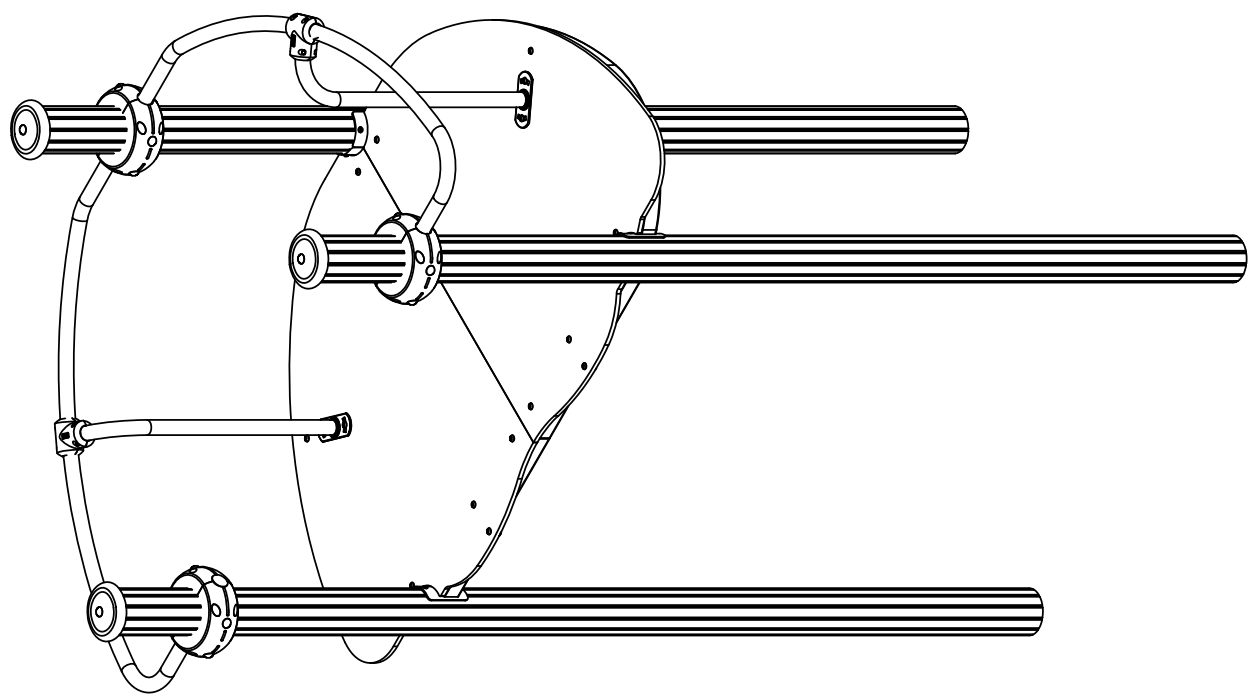


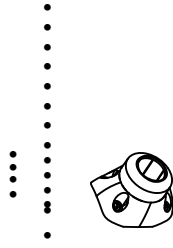
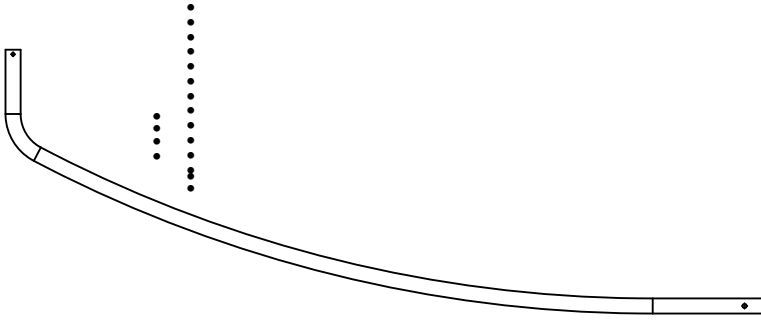
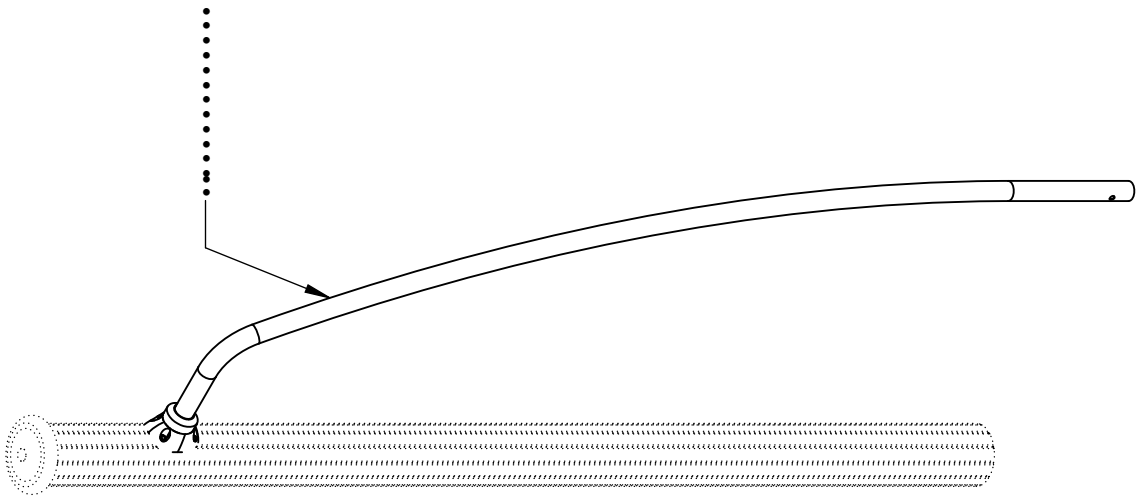
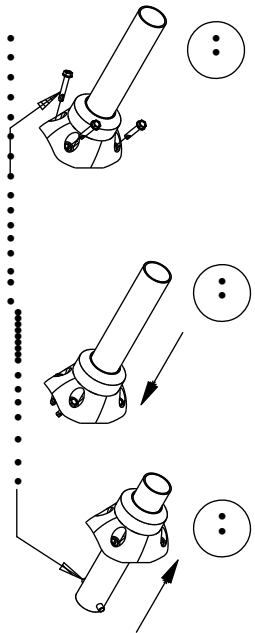
FT2517	2
LG4412	3
LGP2507N	1
LGP2508N	1
LI2511	2
LI25208	2
M10310N	18
M10440N	33
MI025VX	3
MI2501VX	6
MI2502VX	4
MI2508	24
R2502	2
U2555	3
VBTR10X90	12
VCBHC6x25I	8
VCBHC8x30I	12
VCBHC10x30I	16
VCBHC10x70I	2
VEBM6	8
VECM10	12
VEFM10	18
VFHCM6x40	3
VGC8x55I	6
VTH6x60 AUTO	12



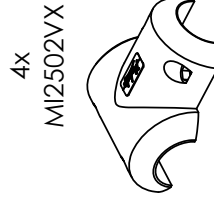
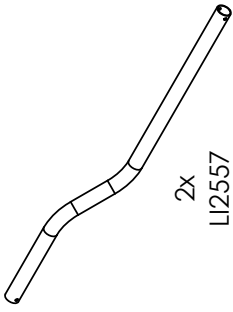
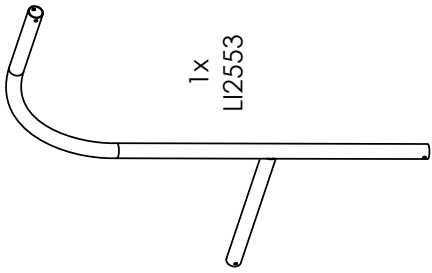
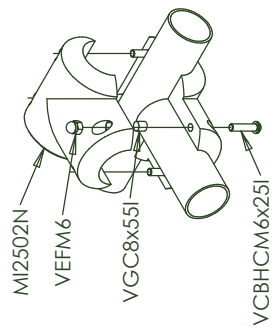
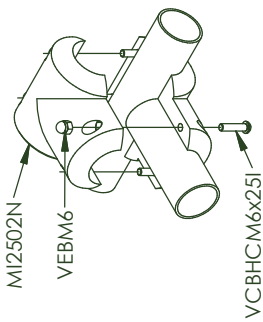
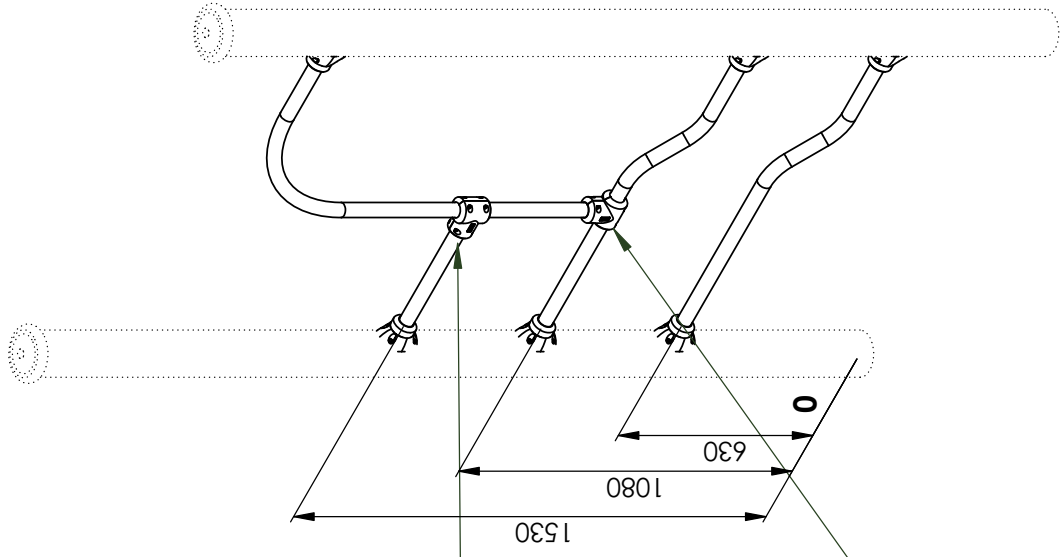
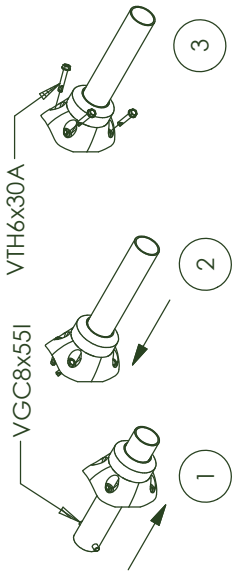




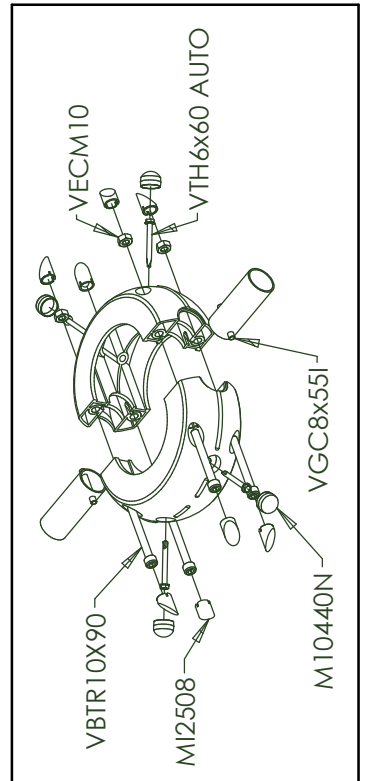
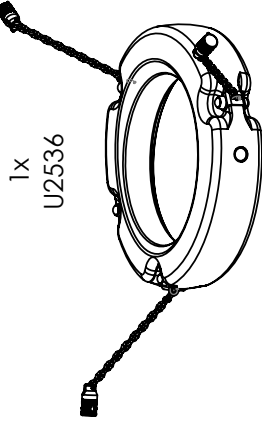
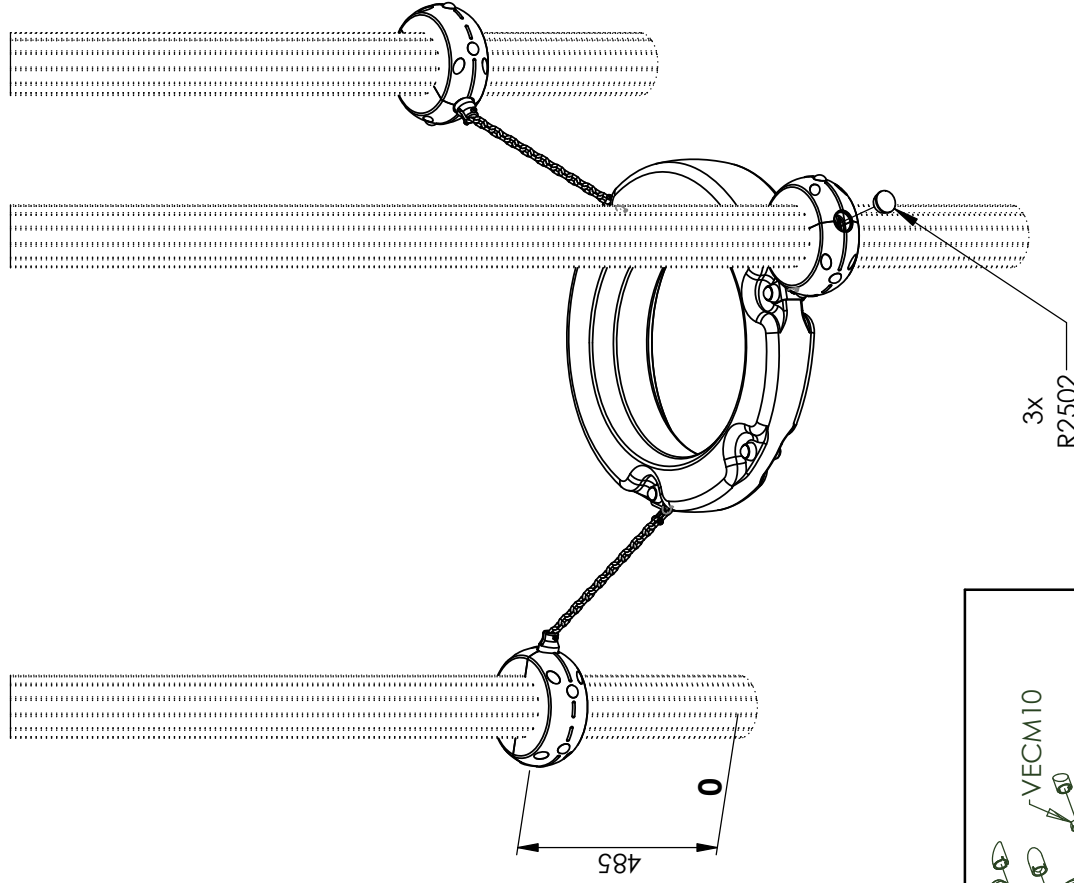




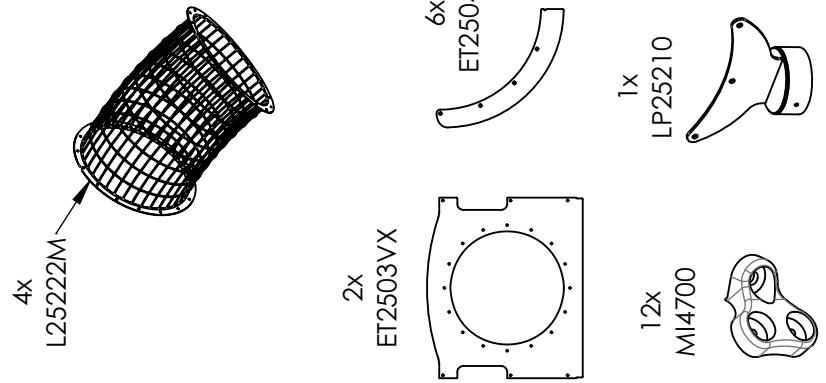
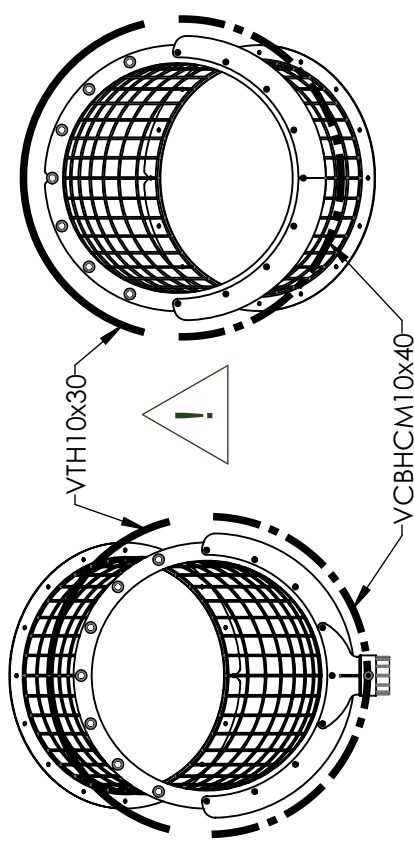
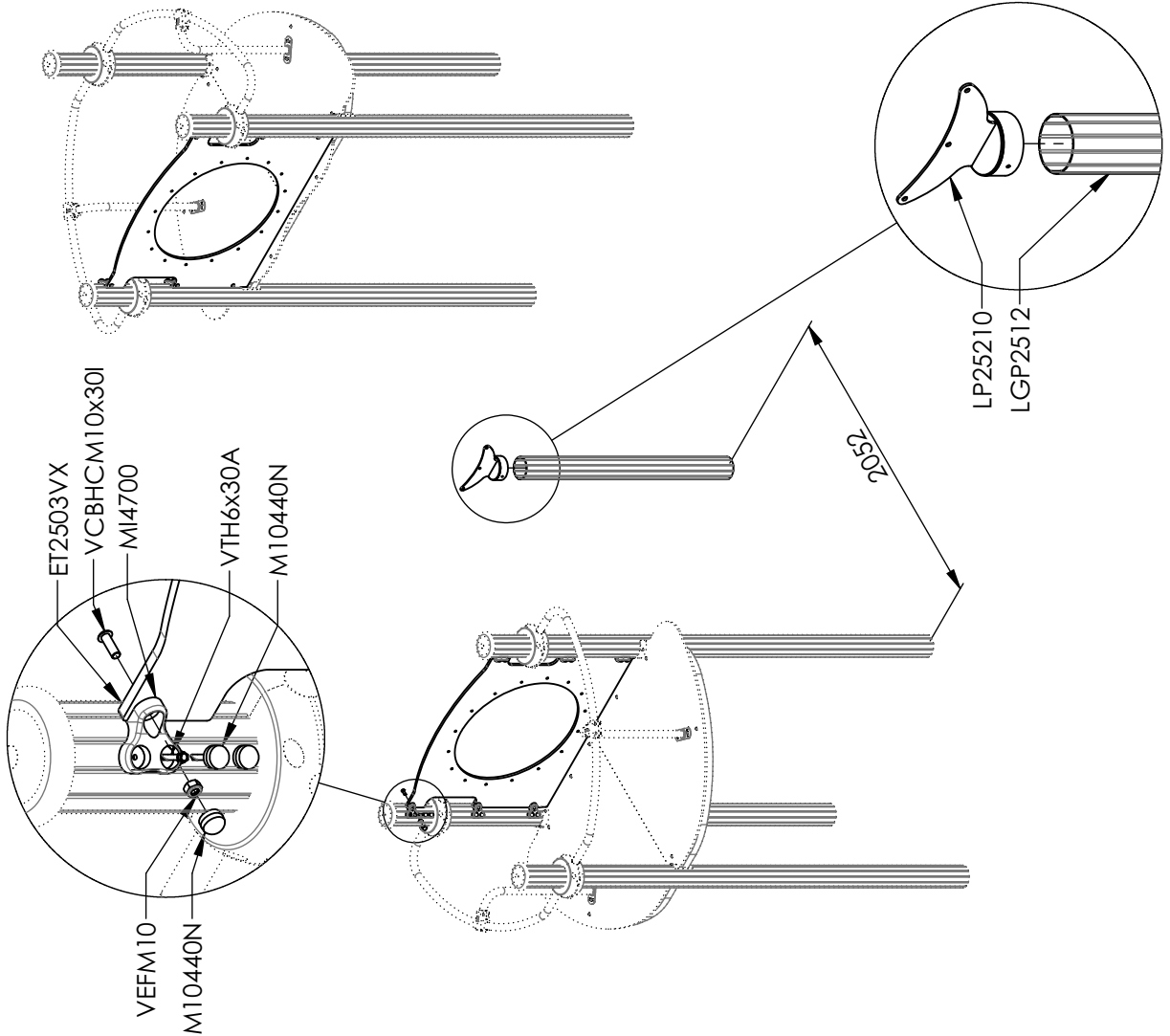
••	••	••	••	••
••	••	••	••	••
••	••	••	••	••
••	••	••	••	••
••	••	••	••	••



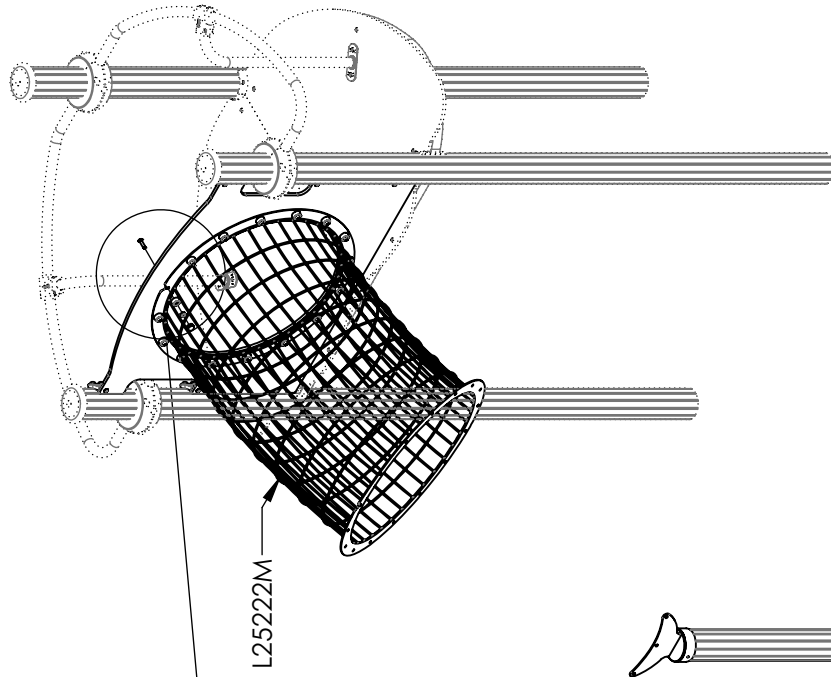
LI2557	2
LI2553	1
MI2502VX	4
MI3701N	6
VCBHCM6x25I	8
VEBM6	8
VGC8x55I	7
VTH6x30A	24



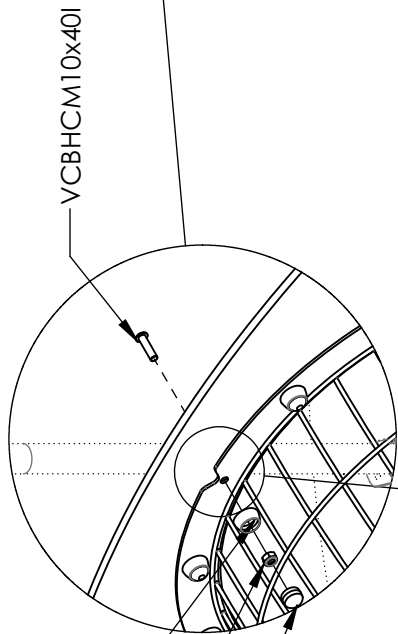
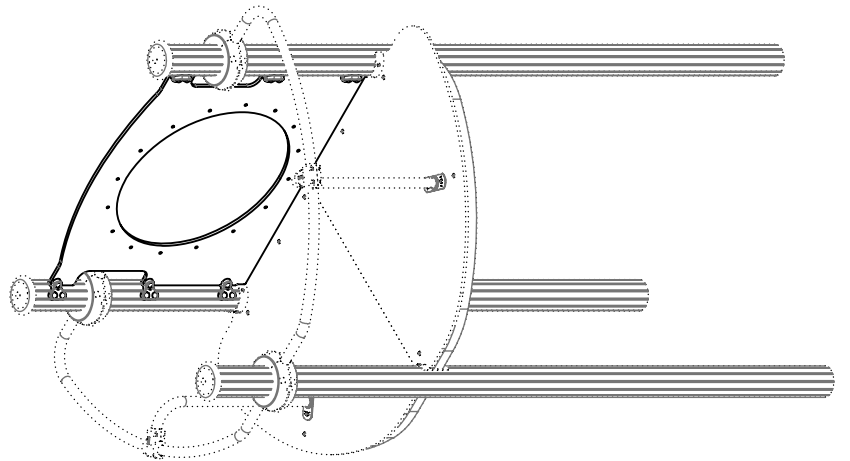
Réf	Qté
M10440N	12
M12501VX	6
M12508	24
R2502	3
U2536	1
VBTR10X90	12
VECM10	12
VTH6x60 AUTO	12



ET2503VX	2
ET2504VX	6
L25222M	4
LGP2512	1
LP25210	1
M8310N	2
M8440N	2
M10310N	101
M10440N	137
MI4700	12
VCBHCM10x30I	12
VCBHCM10x40I	59
VEFM10	92
VTH6x30A	26
VTH10x30	21



L25222M

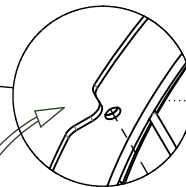
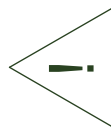


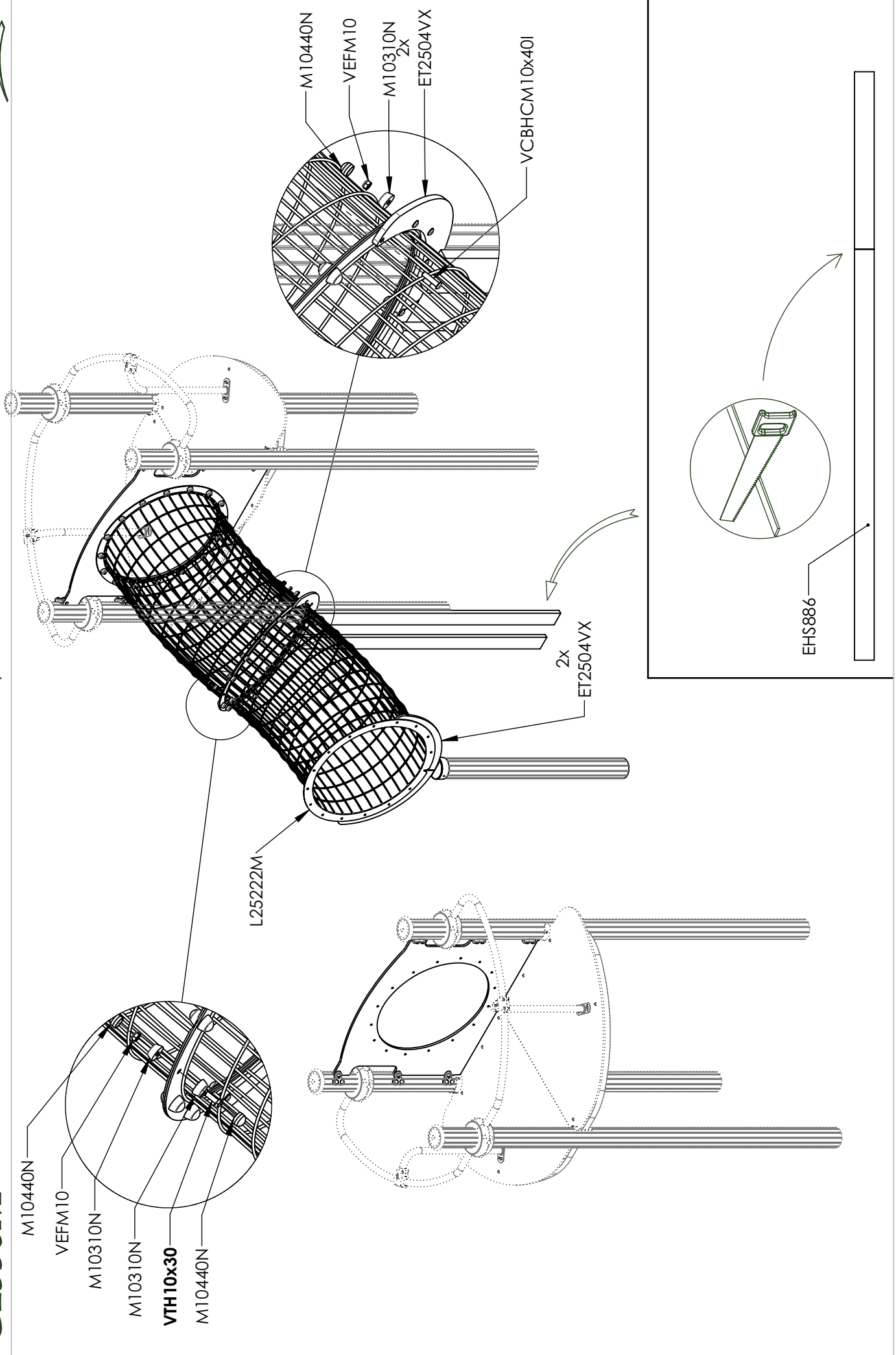
VCBHCM10x40I

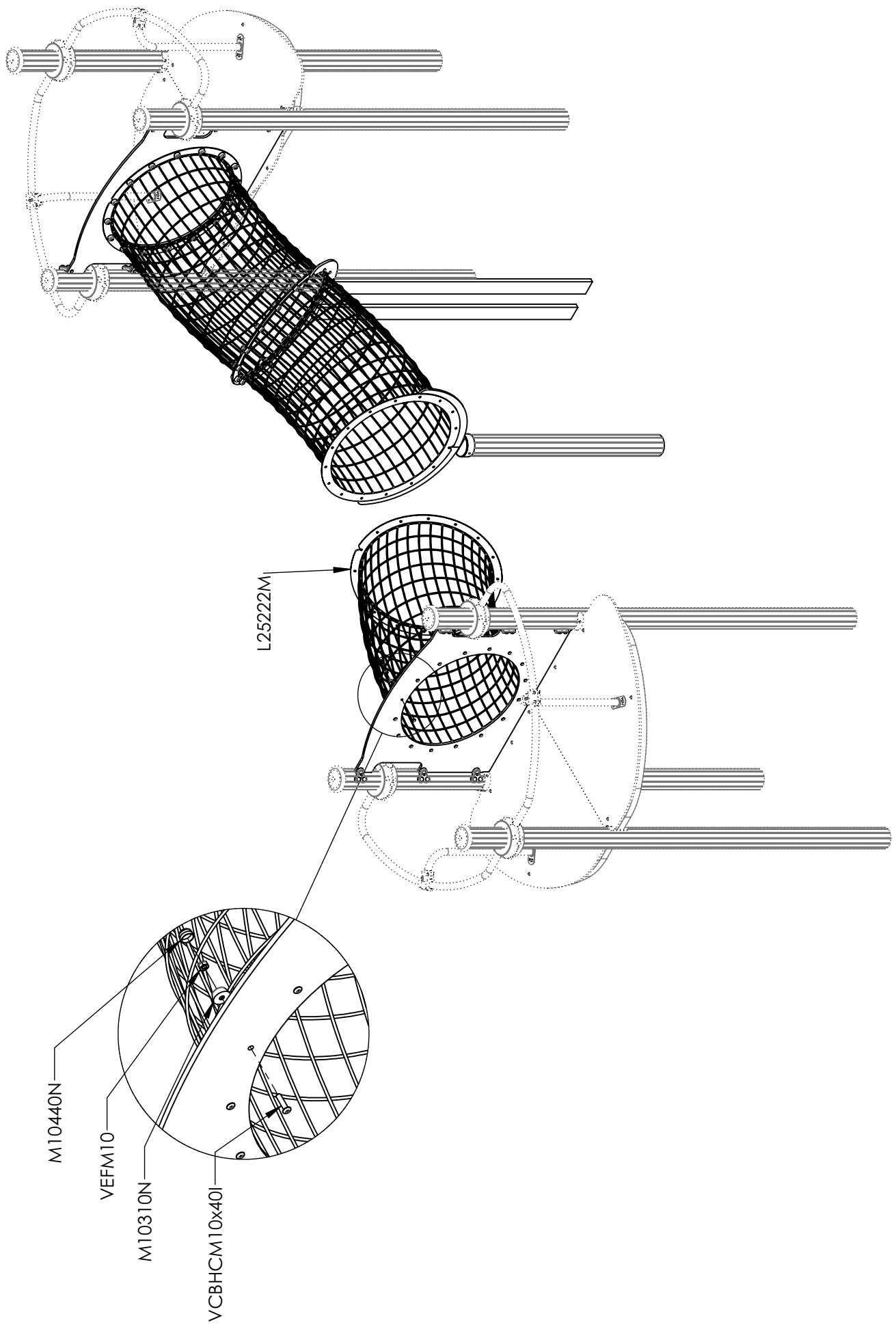
M10310N

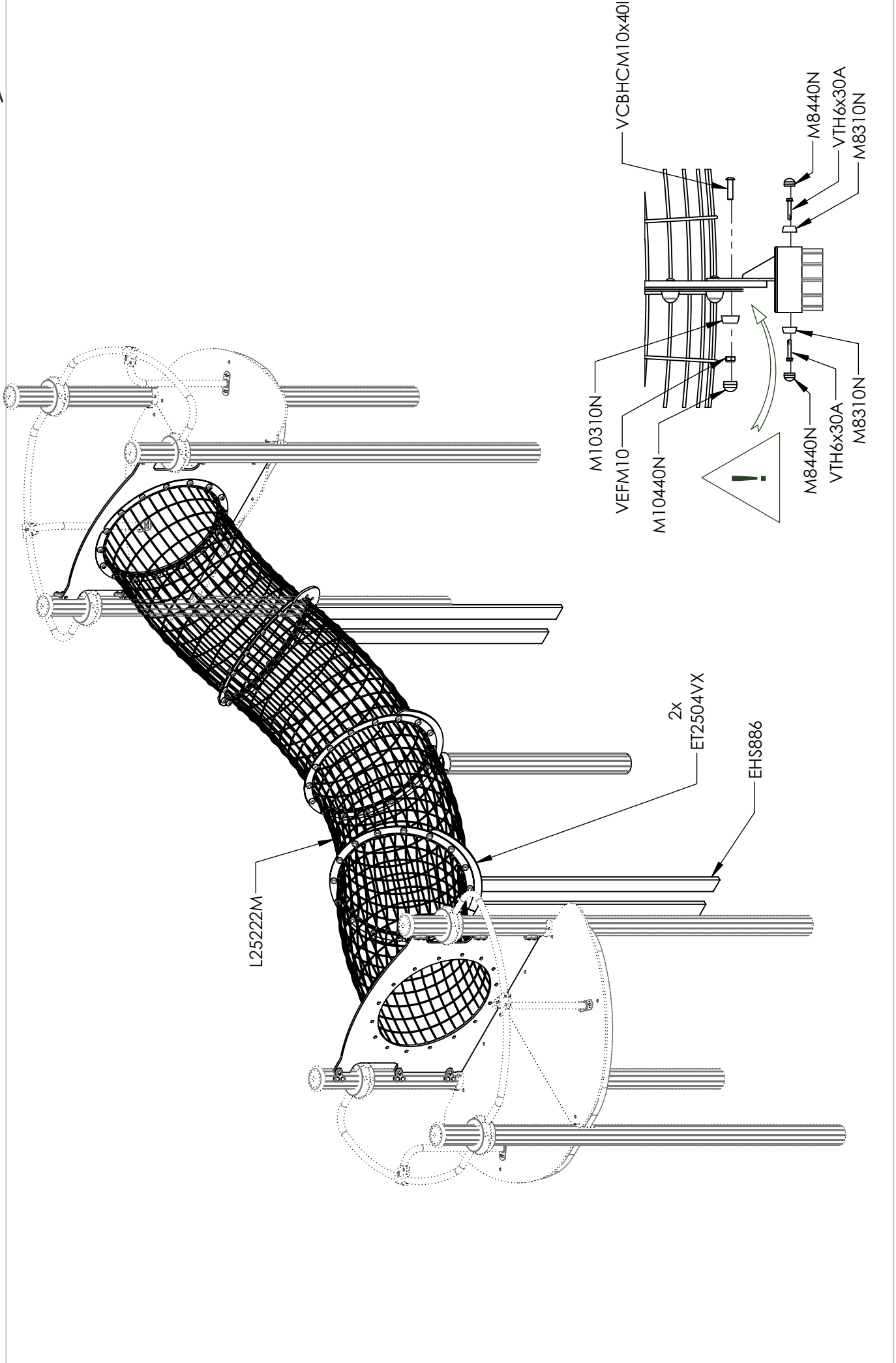
VEFM10

M10440N

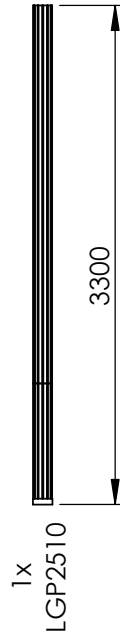
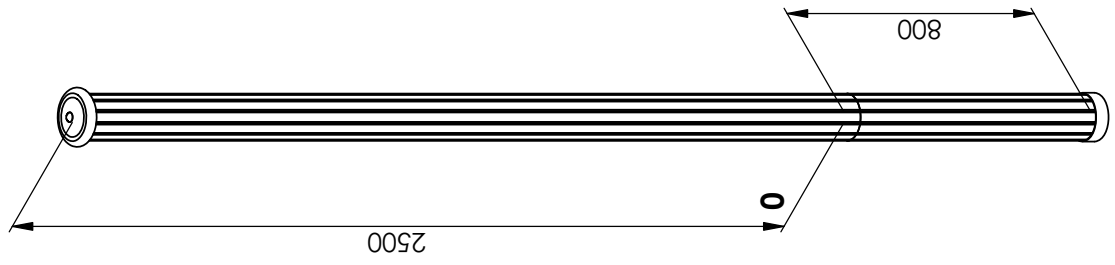
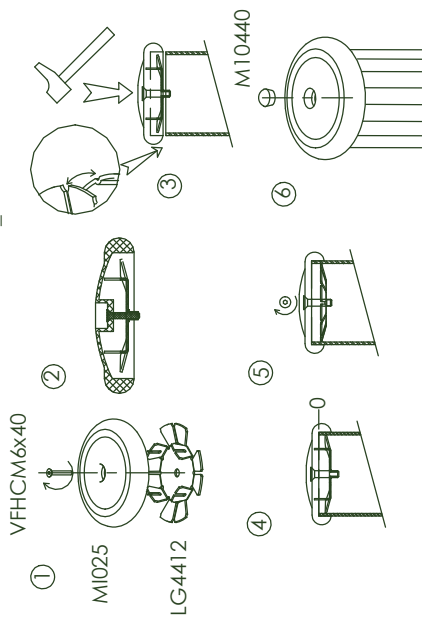








LG4412 + MI025_



LG4412	1
LGP2510	1
M10440N	1
MI025VX	1
VFHCM6x40	1