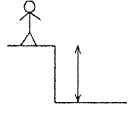



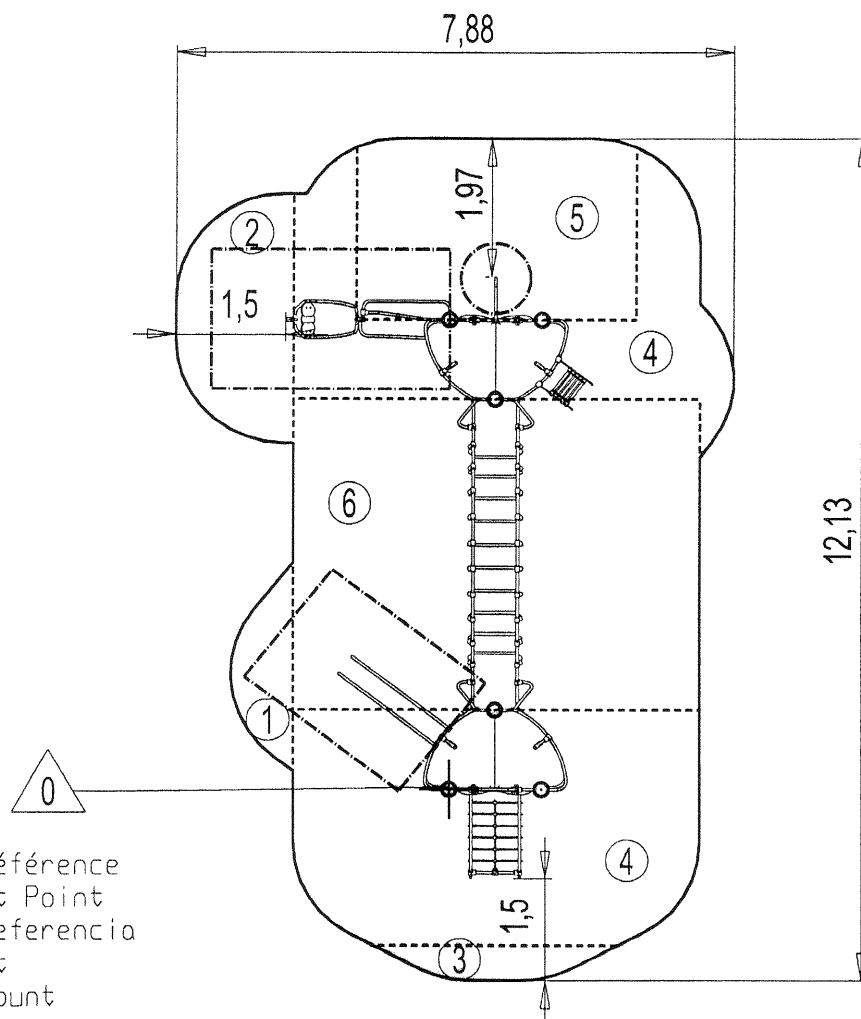
Proludic

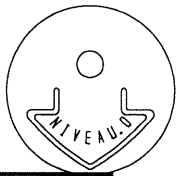
N°		
①	0.6 m	2 m ²
②	0.7 m	5 m ²
③	1 m	1.5 m ²
④	1.95 m	30 m ²
⑤	2.2 m	10.5 m ²
⑥	2.4 m	26 m ²

— Zone d'Impact
Impact Area
Area de Impacto
Fallraum
Valzone

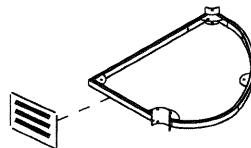
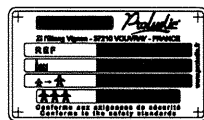
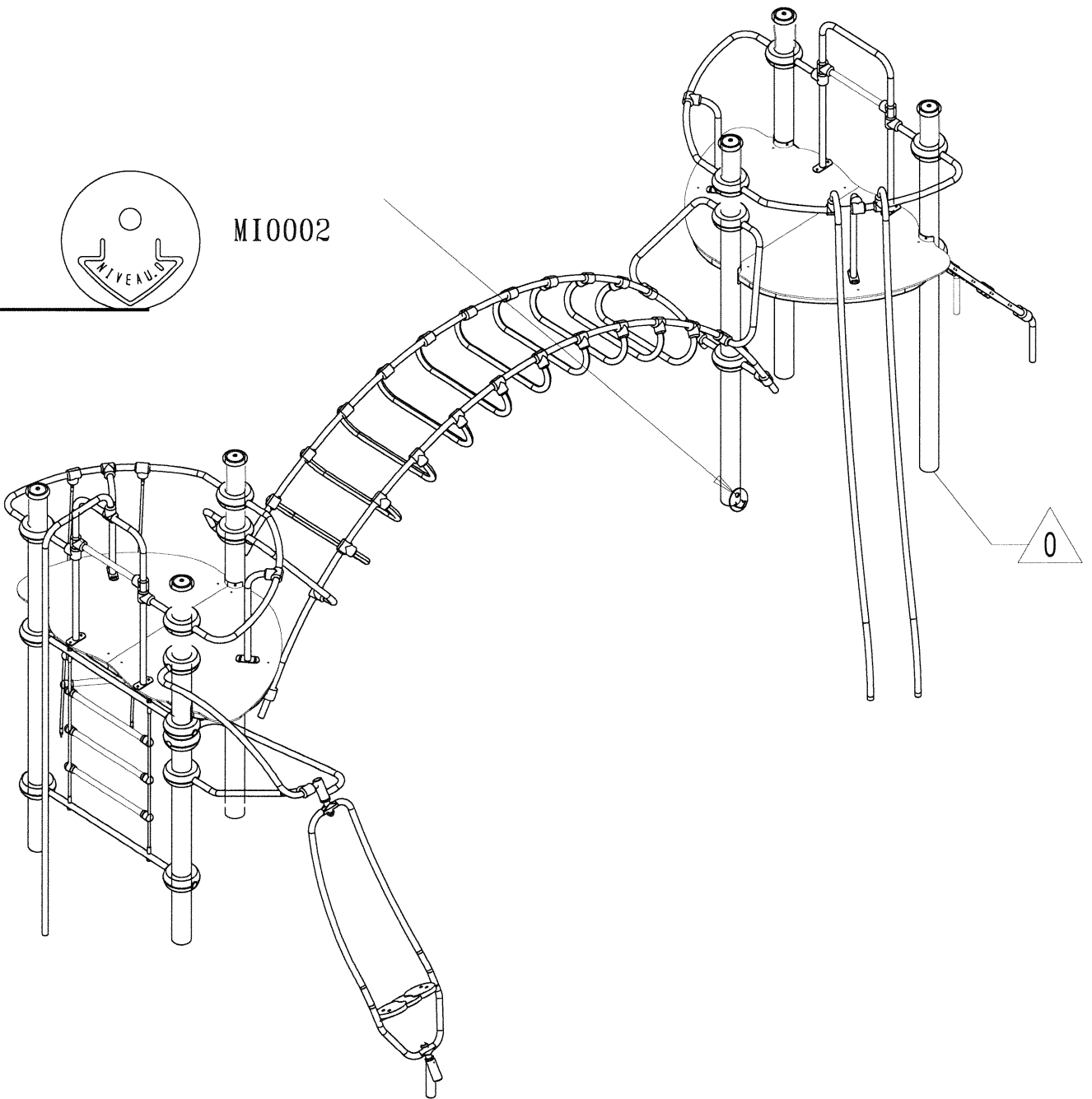
EN1176-1 : 2017

- - - Espace libre
Free Space
Espacio Libre
Freiraum
Vrije ruimte



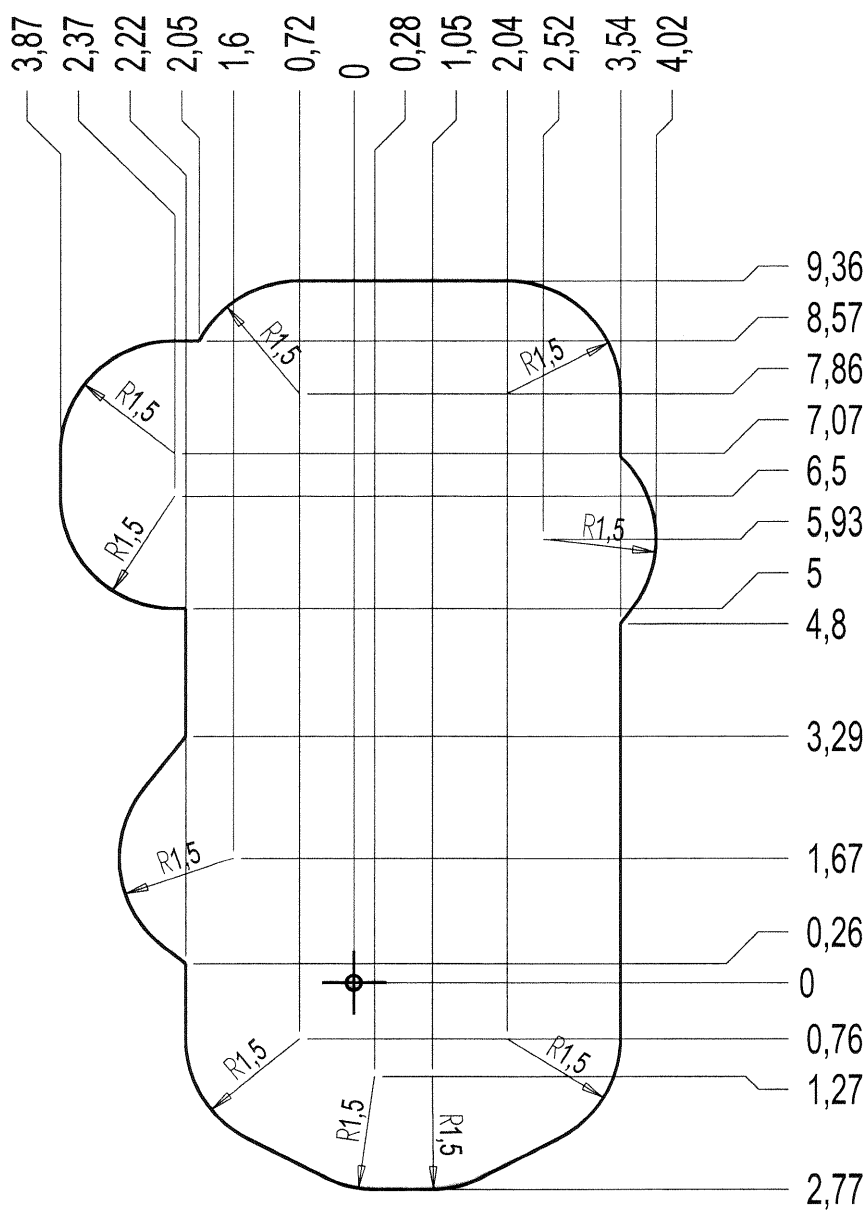


MI0002

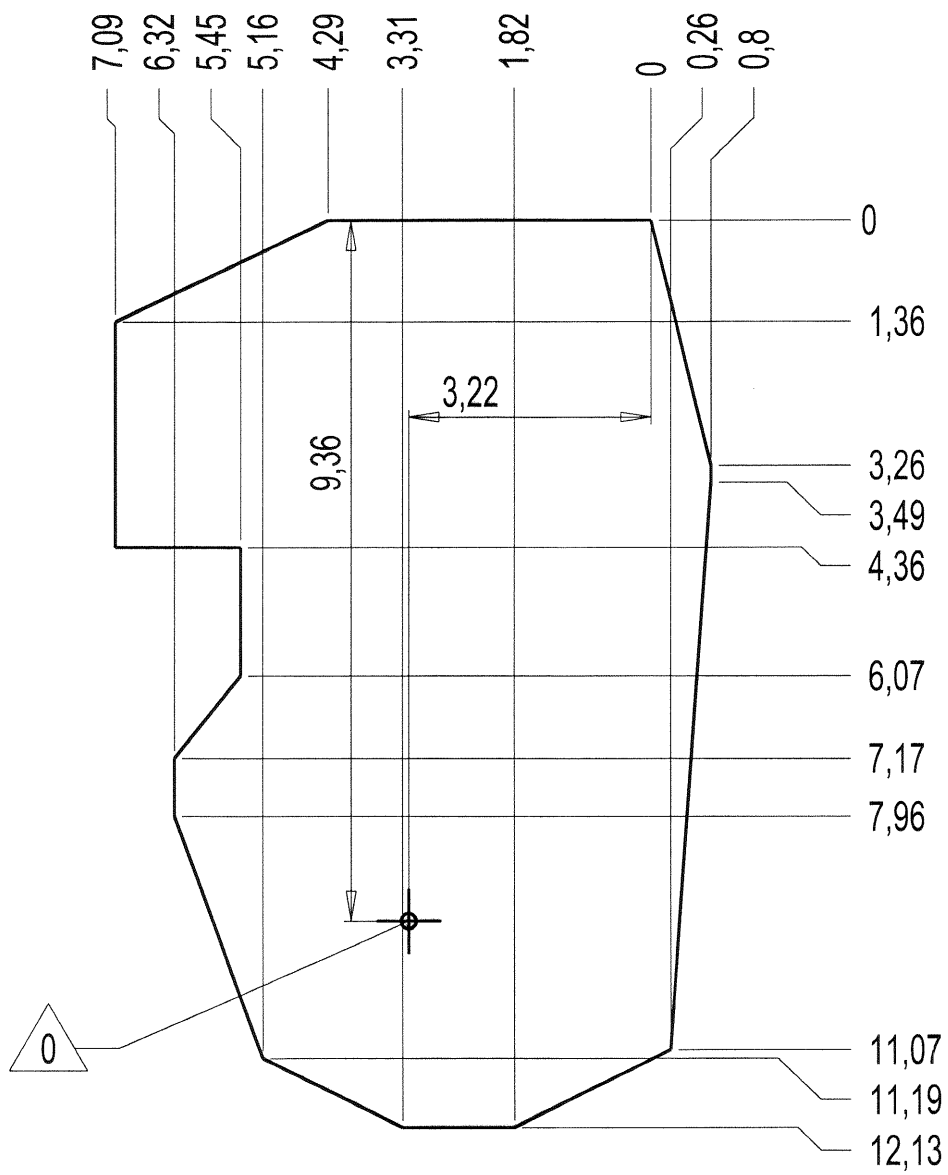


LA000

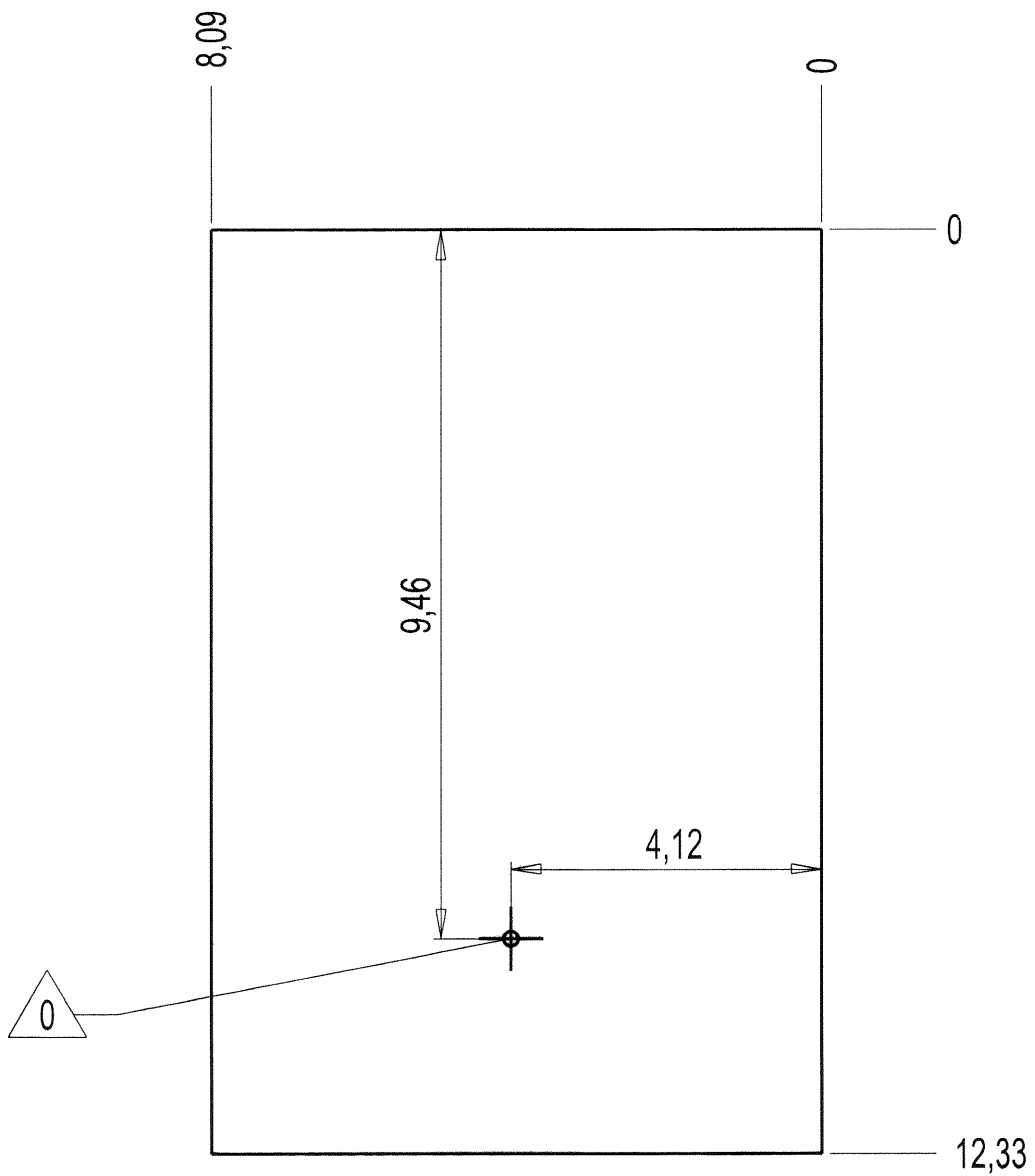
— Zone d'Impact 75 m²
 Impact Area
 Area de Impacto
 Fallraum
 Valzone



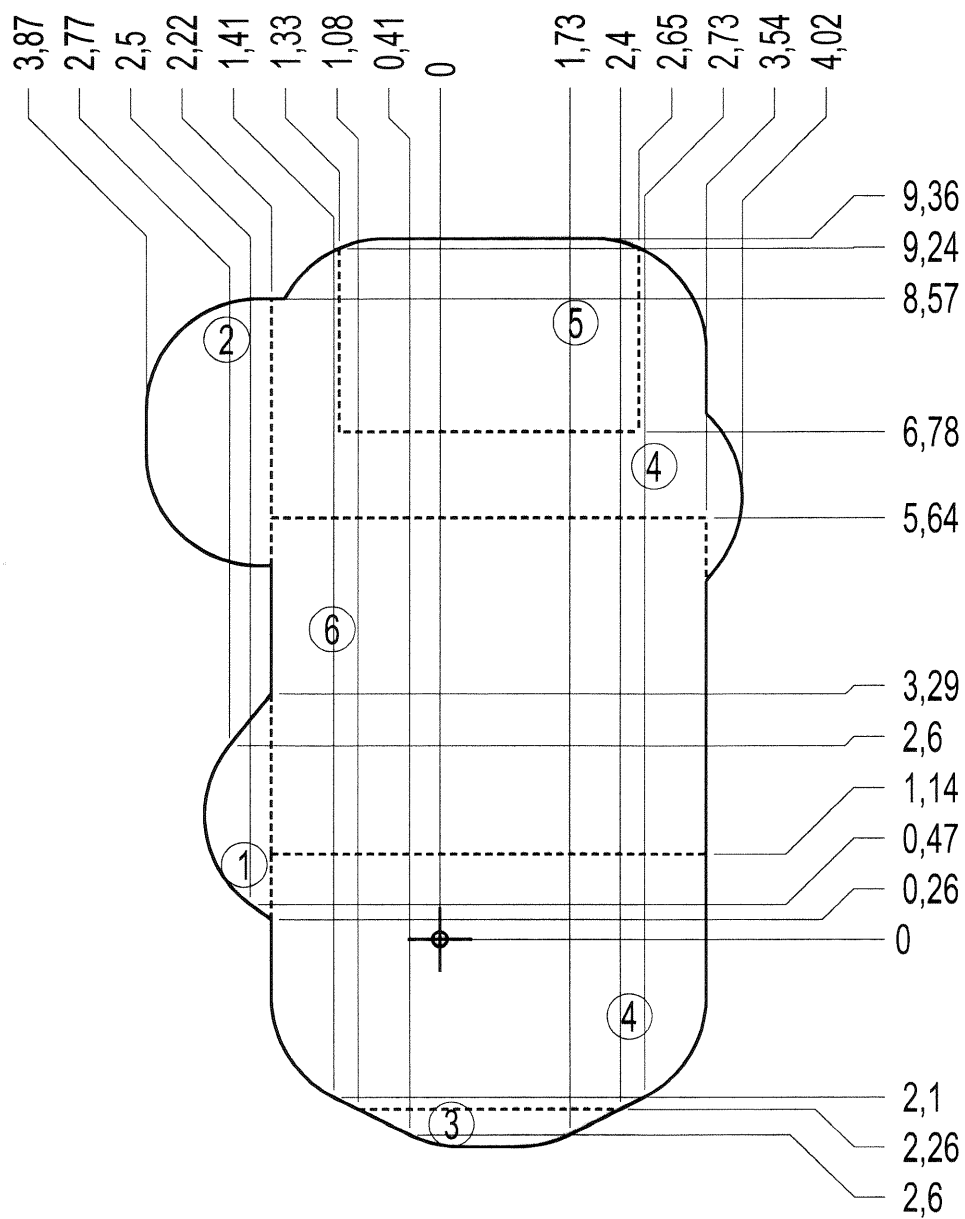
— Dalle béton 37 m
 Concrete pad 77 m²
 Solera de Hormigón
 Beton Bodenplatte
 Betonnen bodenplaat

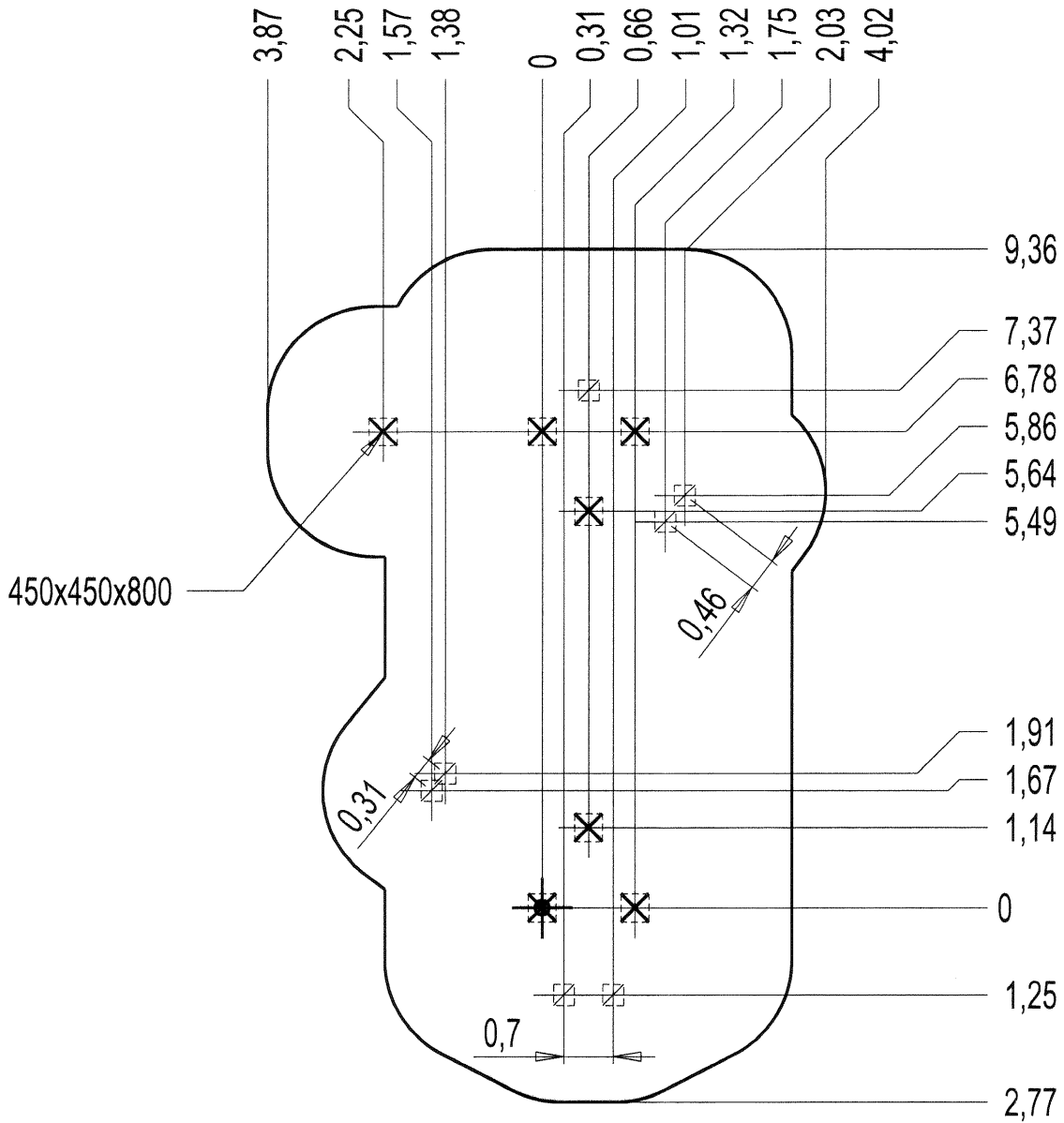


- Sol fluent 41 m
- Loose particle material 100 m²
- Arenero
- Loses Bodenmaterial
- Los bodenmaterial

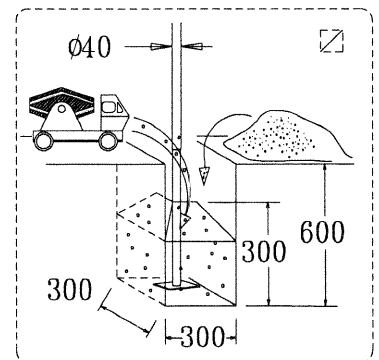
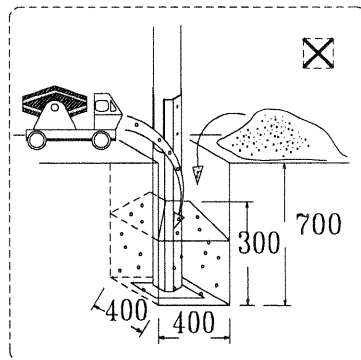


— Sol souple 75 m²
 Wetpour
 Caucho Continuo
 Synthetischer Fallschutz
 Gietvloer

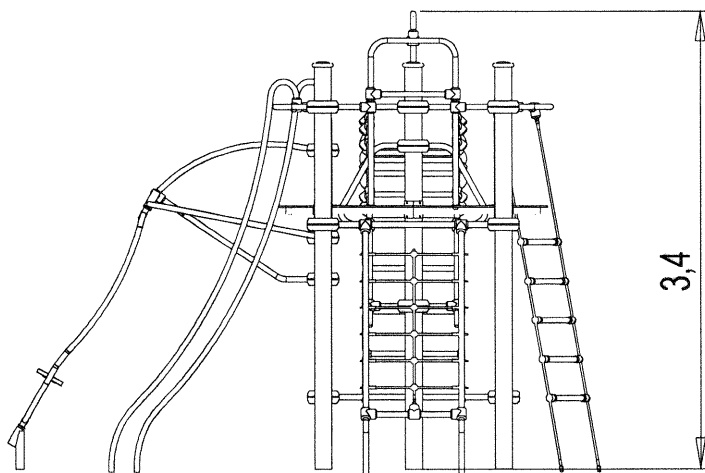
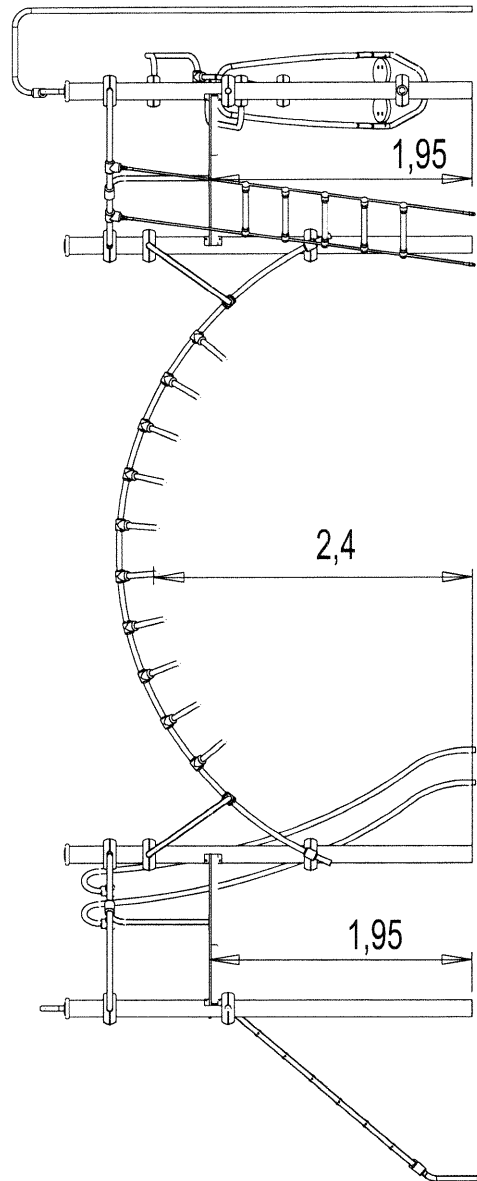
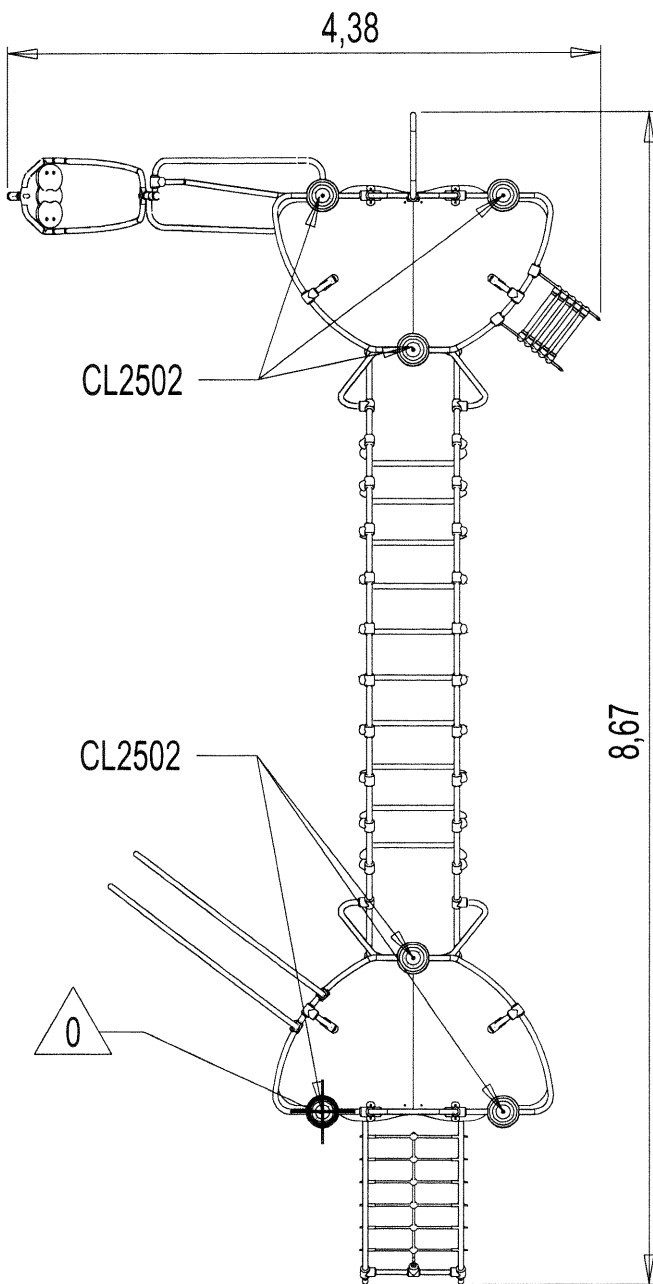




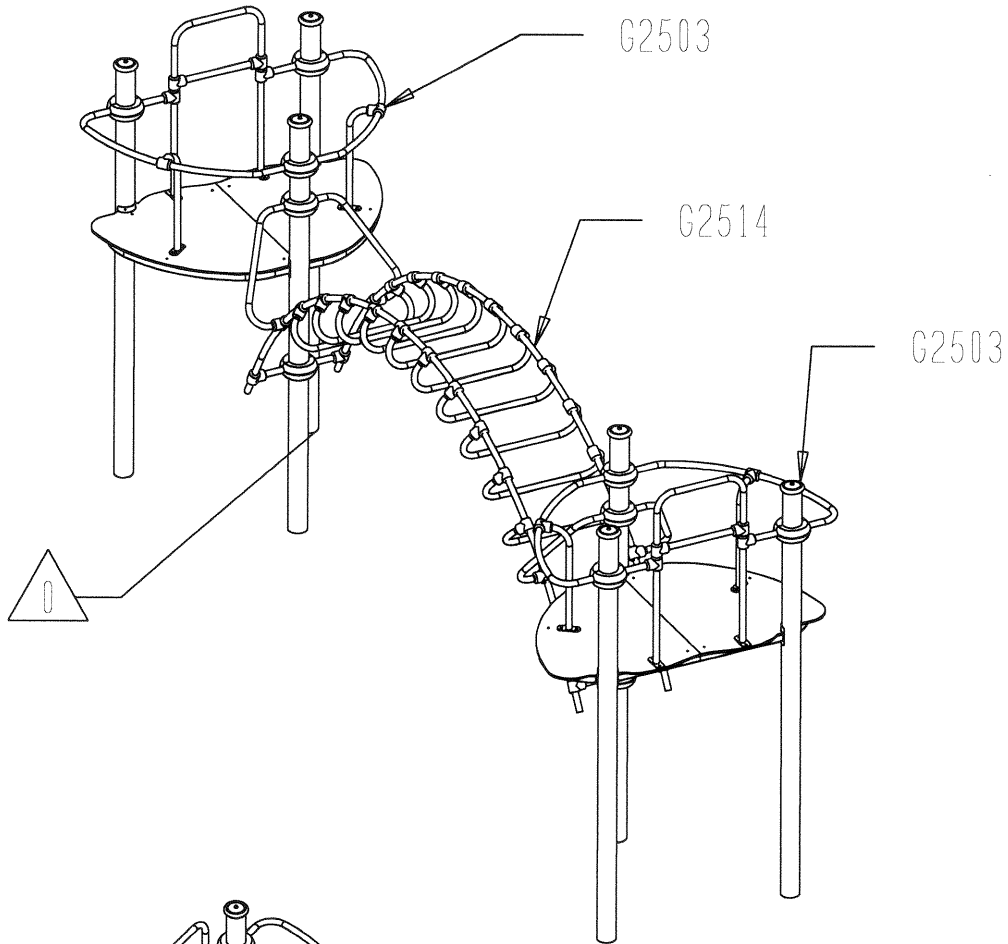
Implantation
 Footing plan
 Implantación
 Fundamentplan
 Funderingstekening



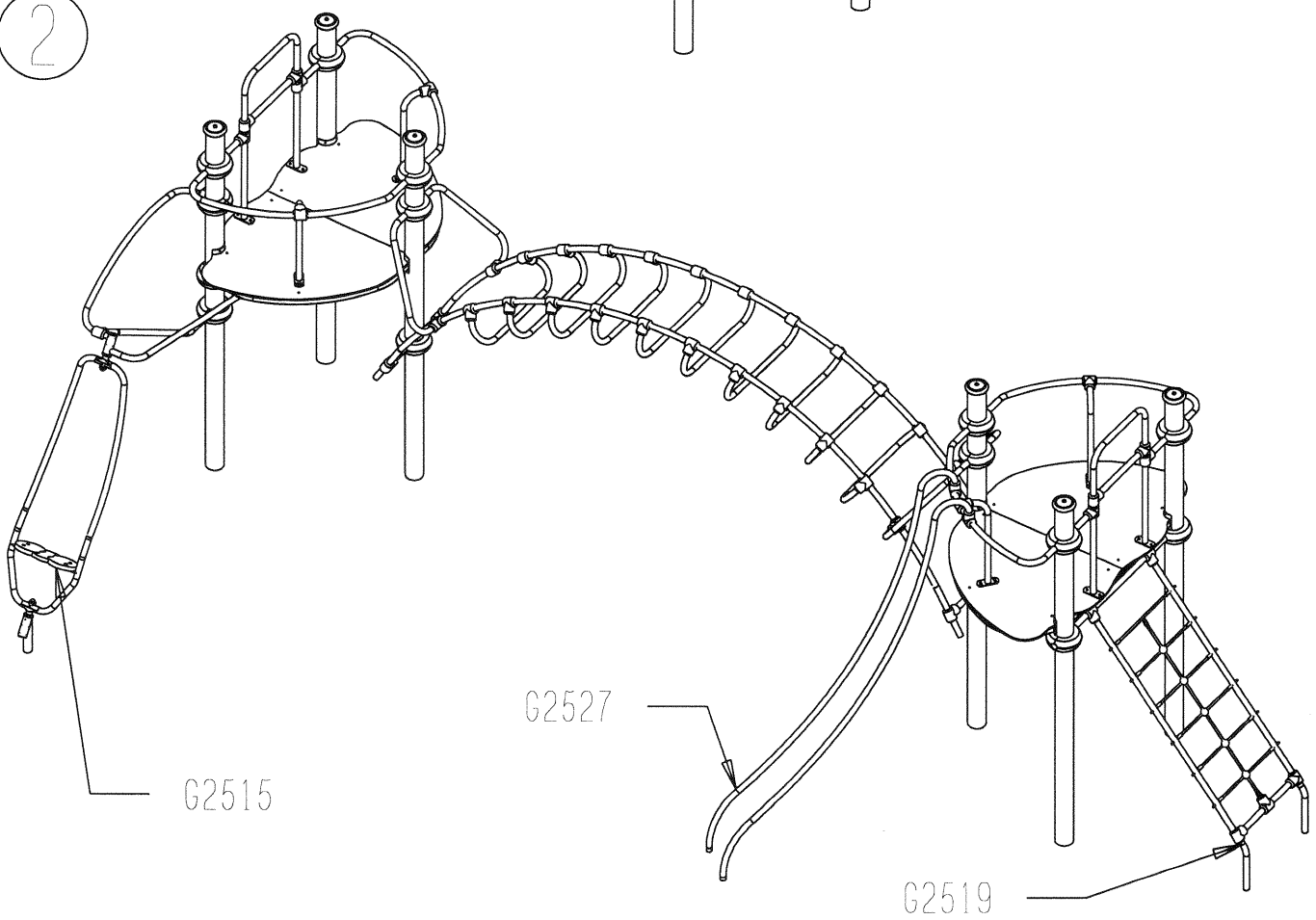
x2	22H	0.7m ³
----	-----	-------------------



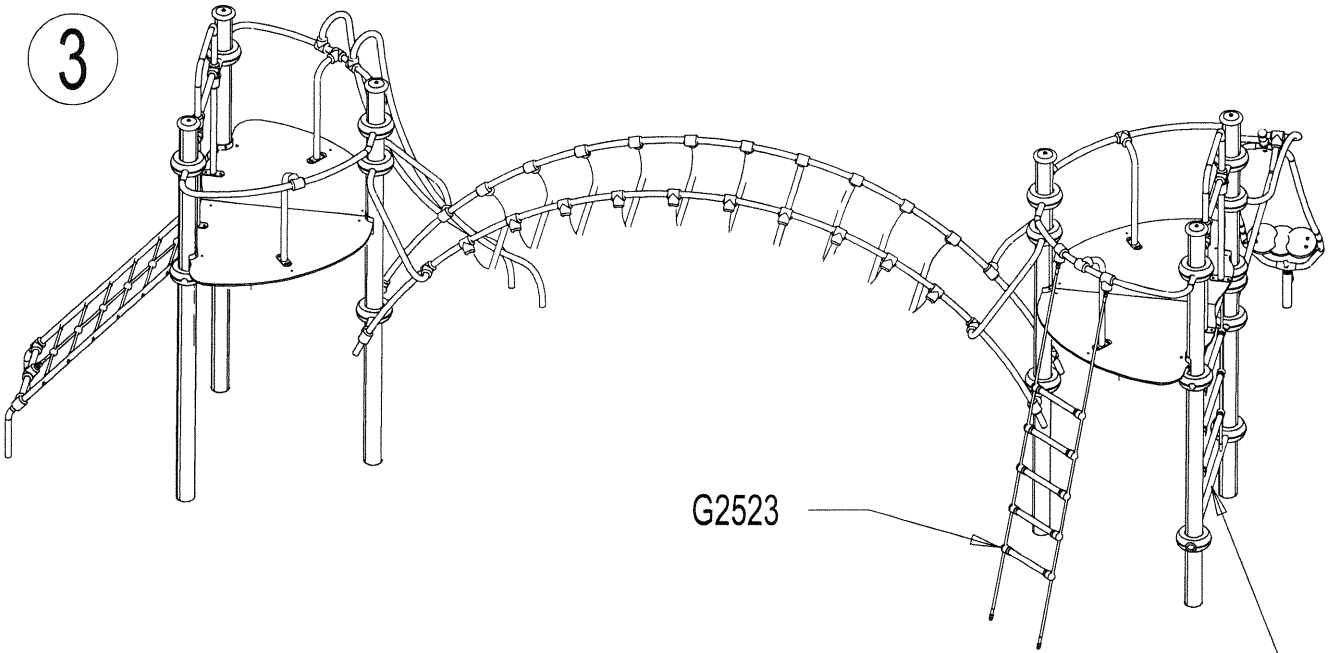
1



2



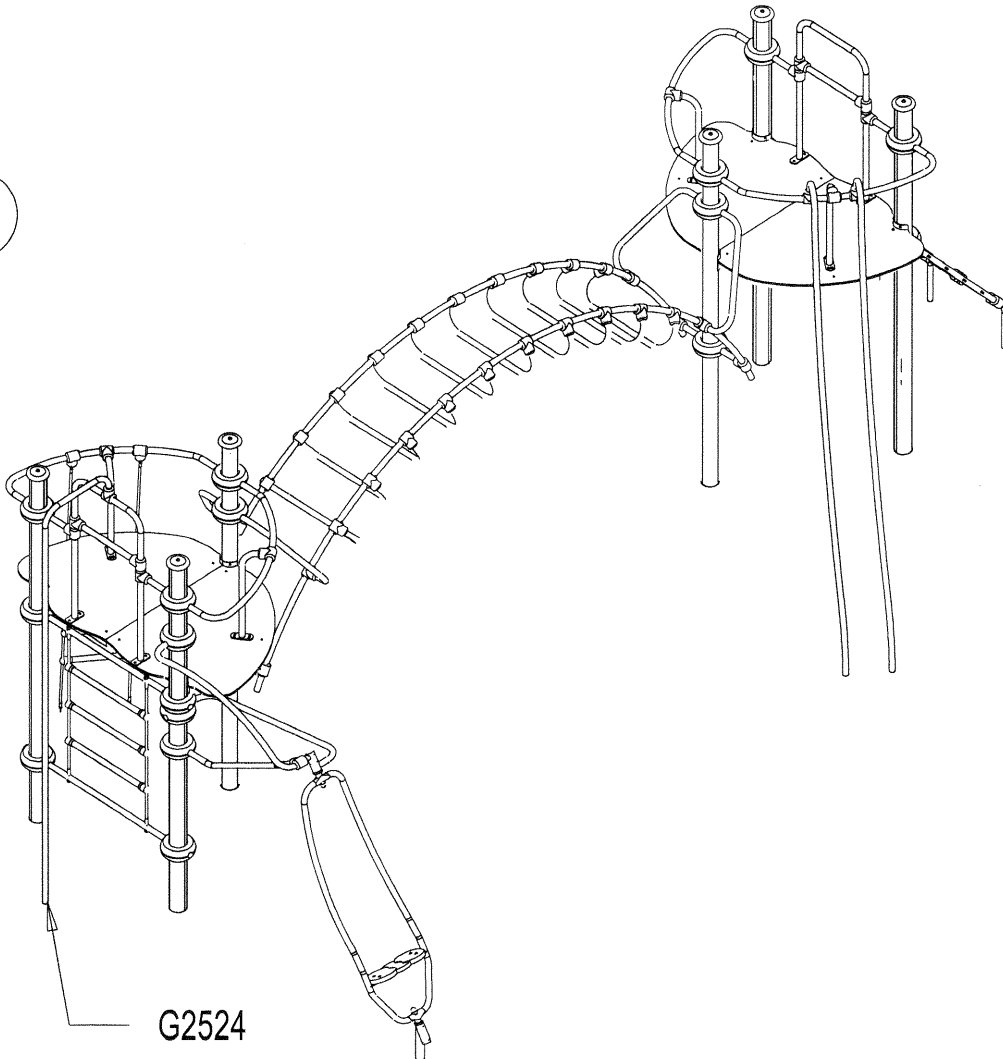
3



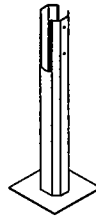
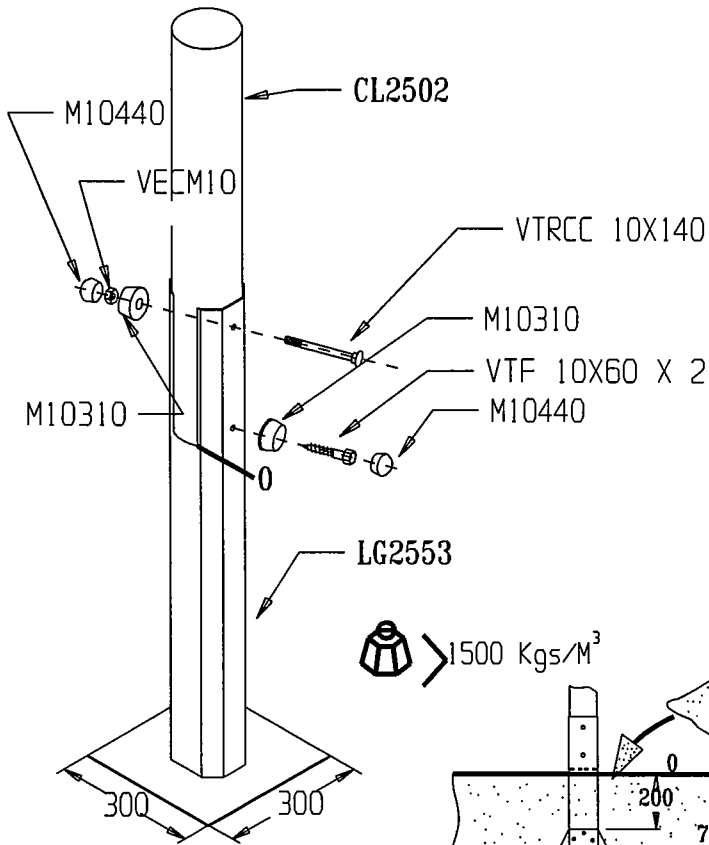
G2523

G2517

4

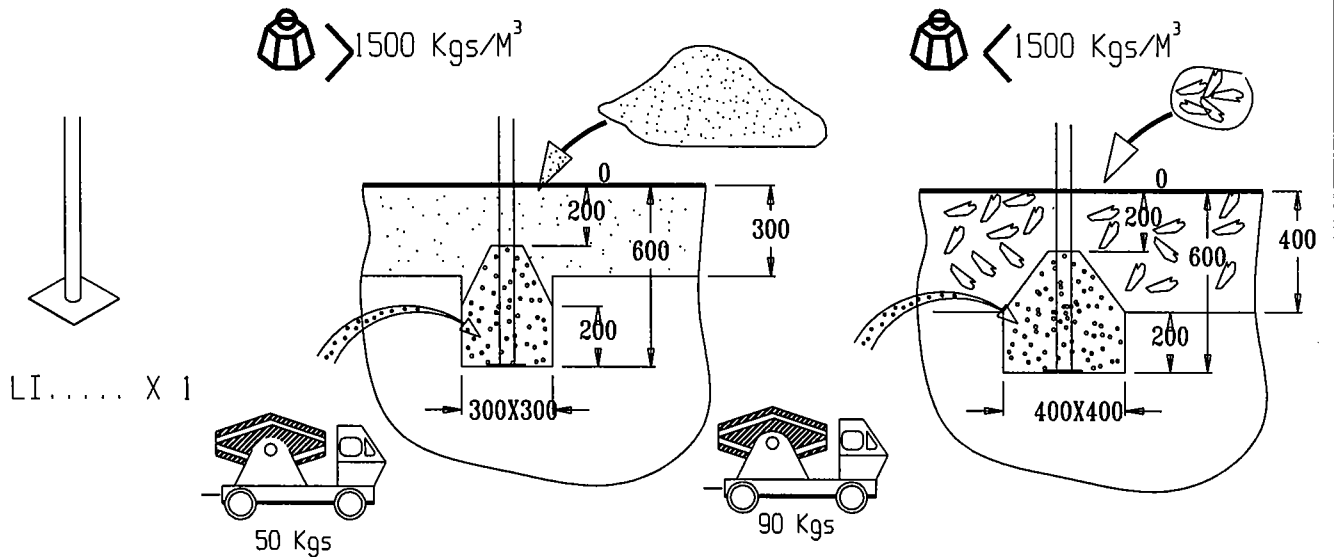
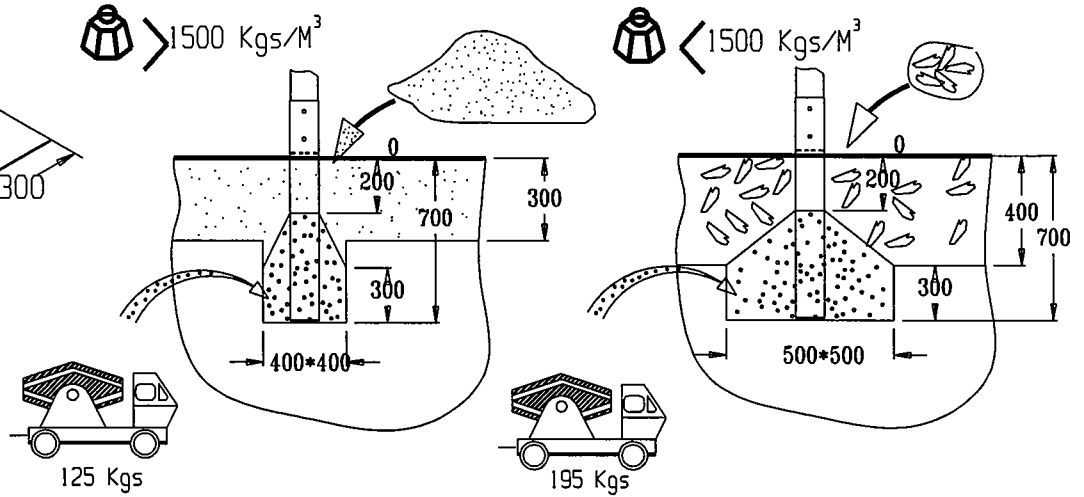


G2524

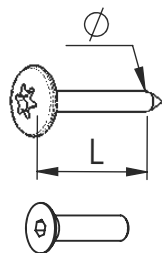


LG2553 X 1

	VTRCC 10x140	1
	VECM10	1
	VTF 10x60	2
	M10310	3
	M10440	3



LI..... X 1



VBT 6 x 30
 \varnothing \uparrow L (mm)

VFHC



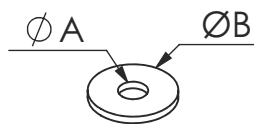
VEC M10
 \varnothing



VEF



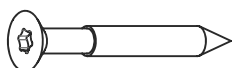
VEB



VR6x18
 $\varnothing A$ $\varnothing B$

1000 - 1800 tr/min
 Vitesse de rotation
 Rotation speed

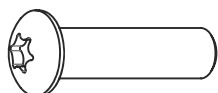
14 N.m
 Couple de rupture
 Torque of break



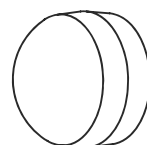
VWT



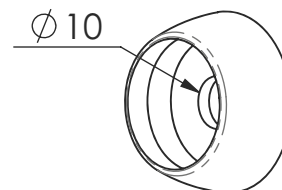
VGC



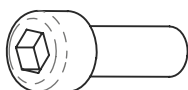
VCBHC



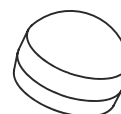
M10 440N



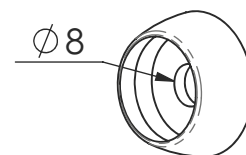
M10 310 N



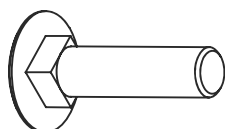
VBTR



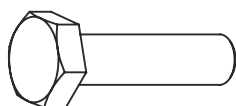
M8440N



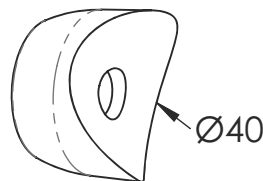
M8310N



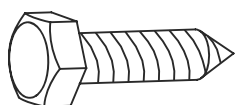
VTRCC



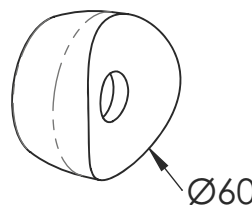
VTH



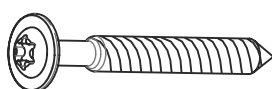
MI2503



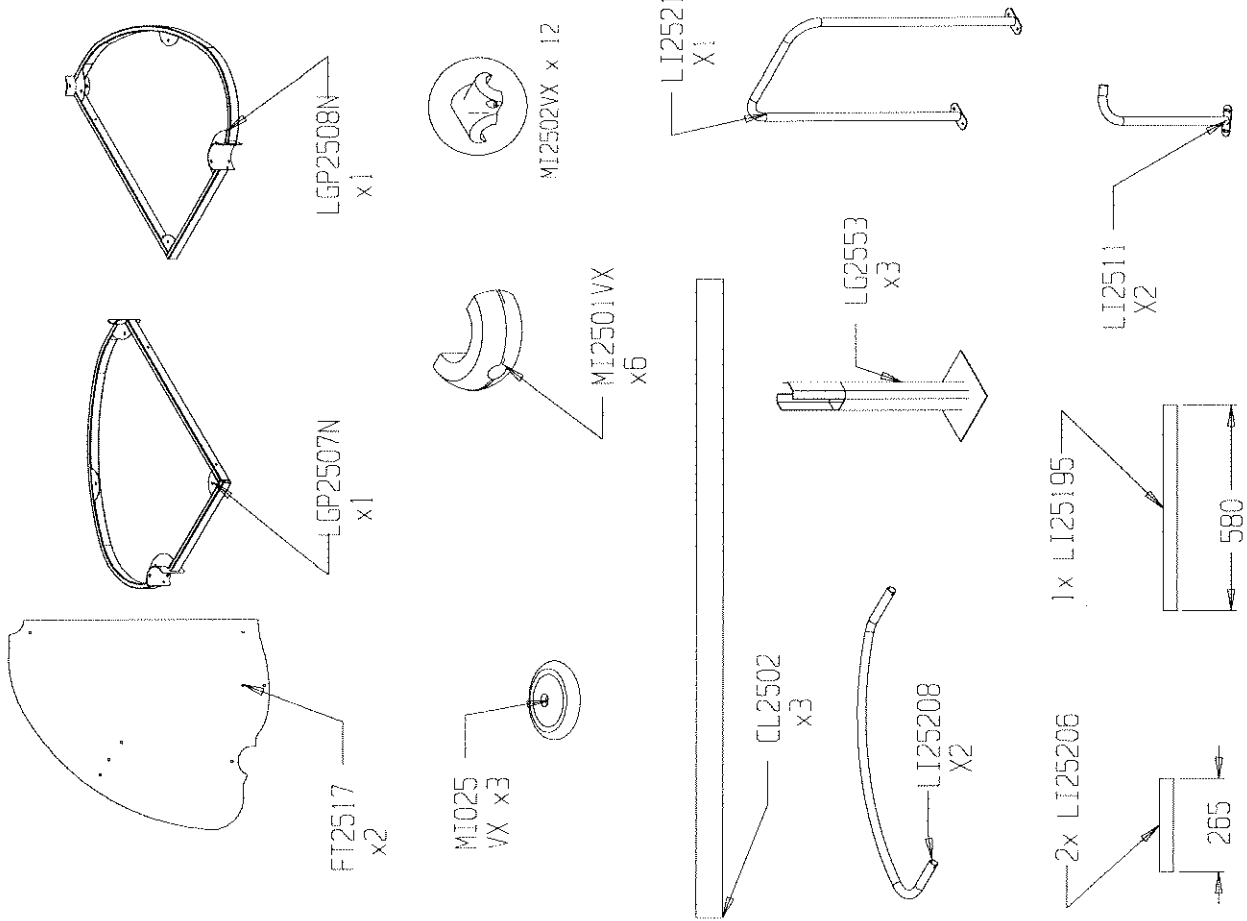
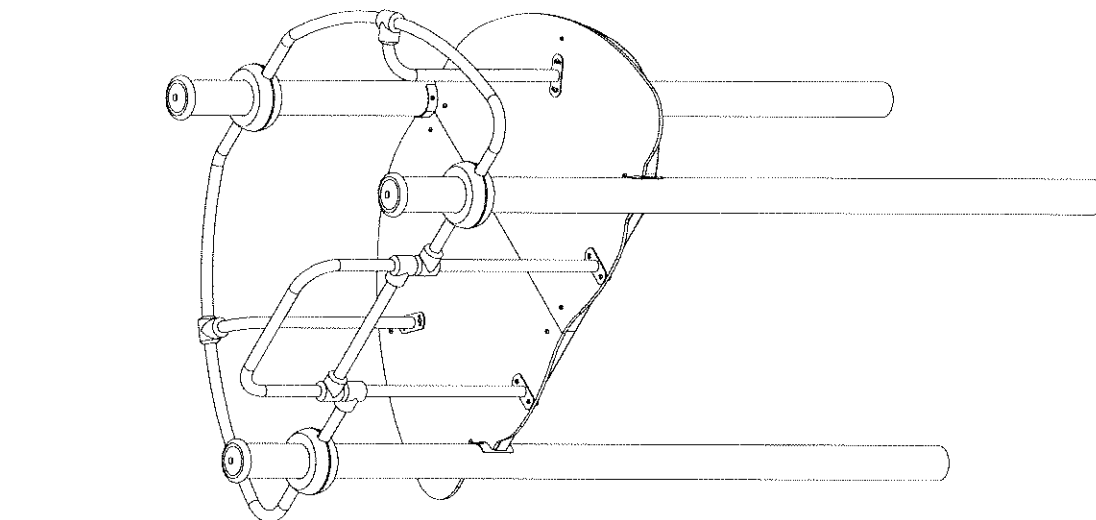
VTF

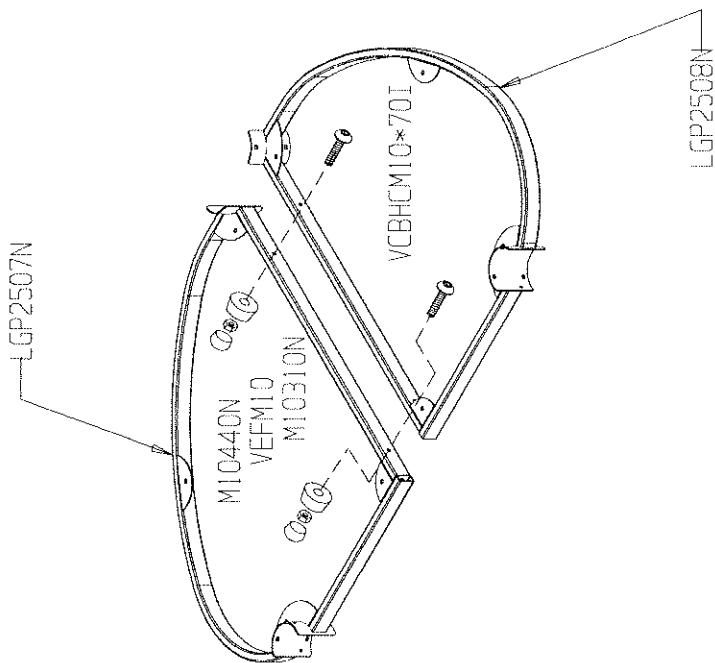


MI2701

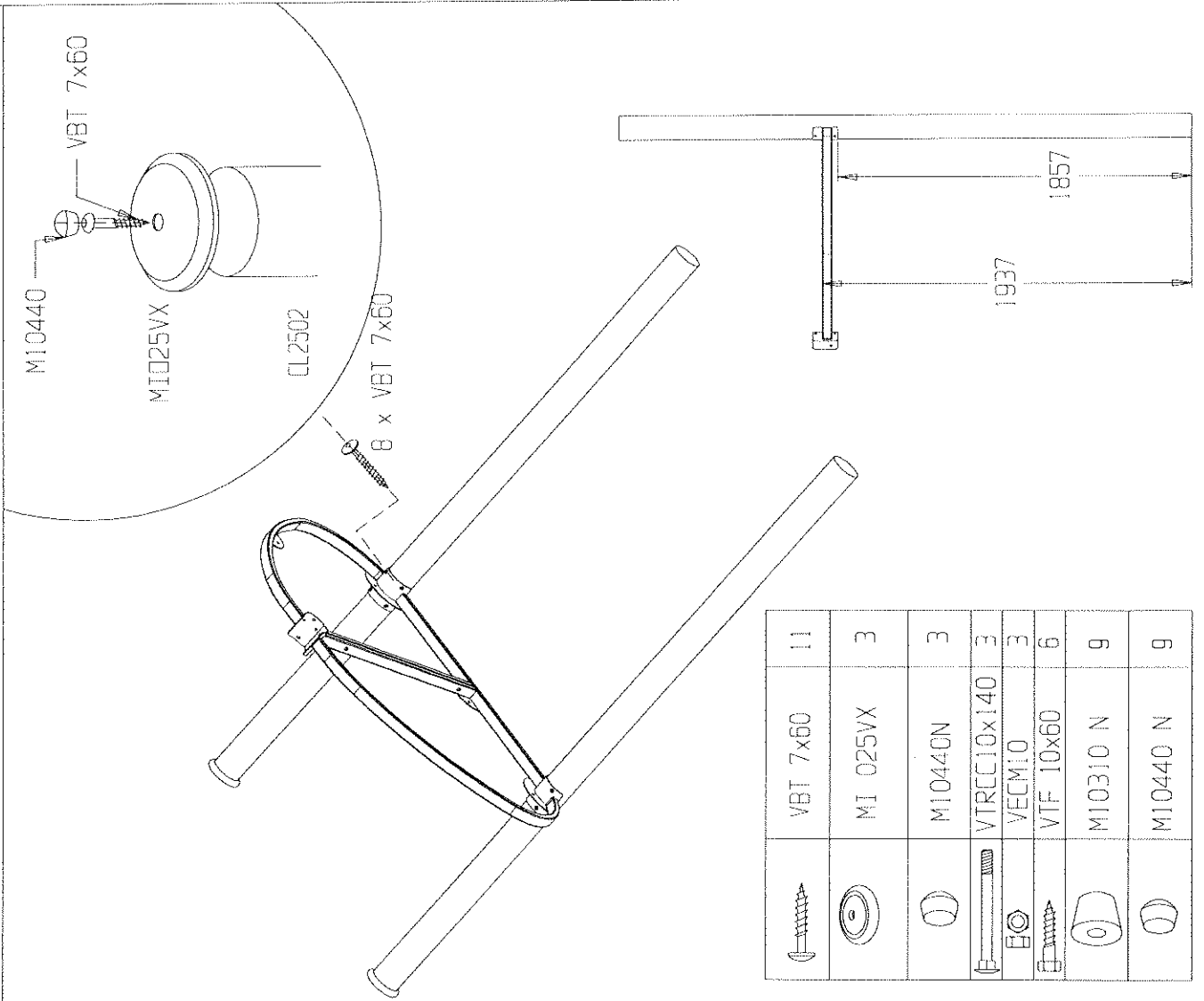


VBT

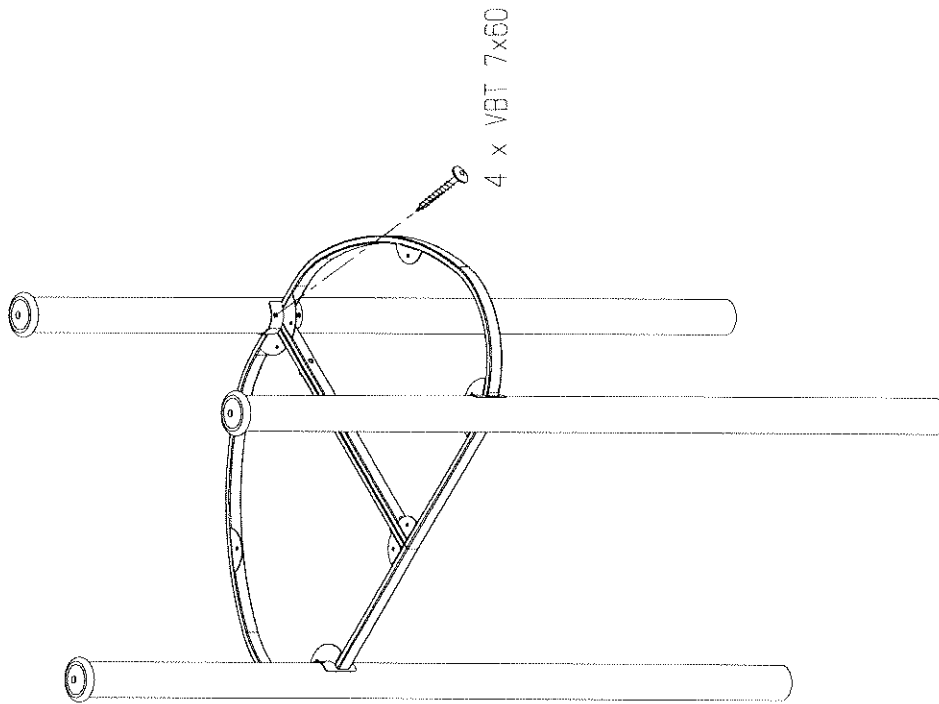




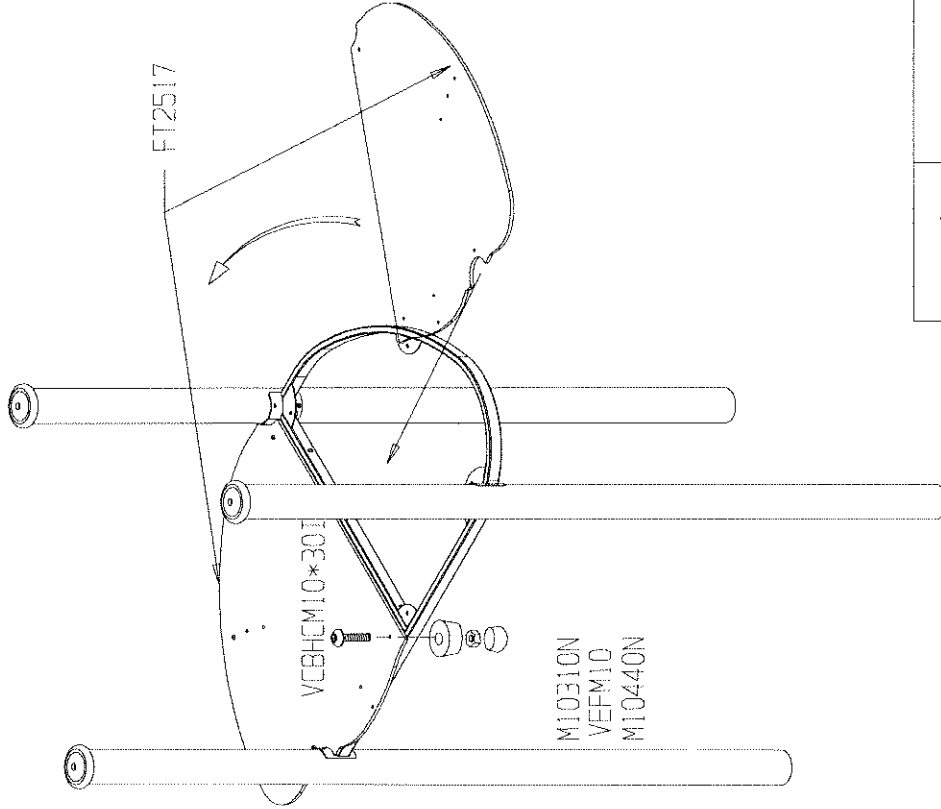
	M10310N	2
	M10440N	2
	VCBHCMI0*70I	2
	VEFM10	2

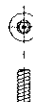





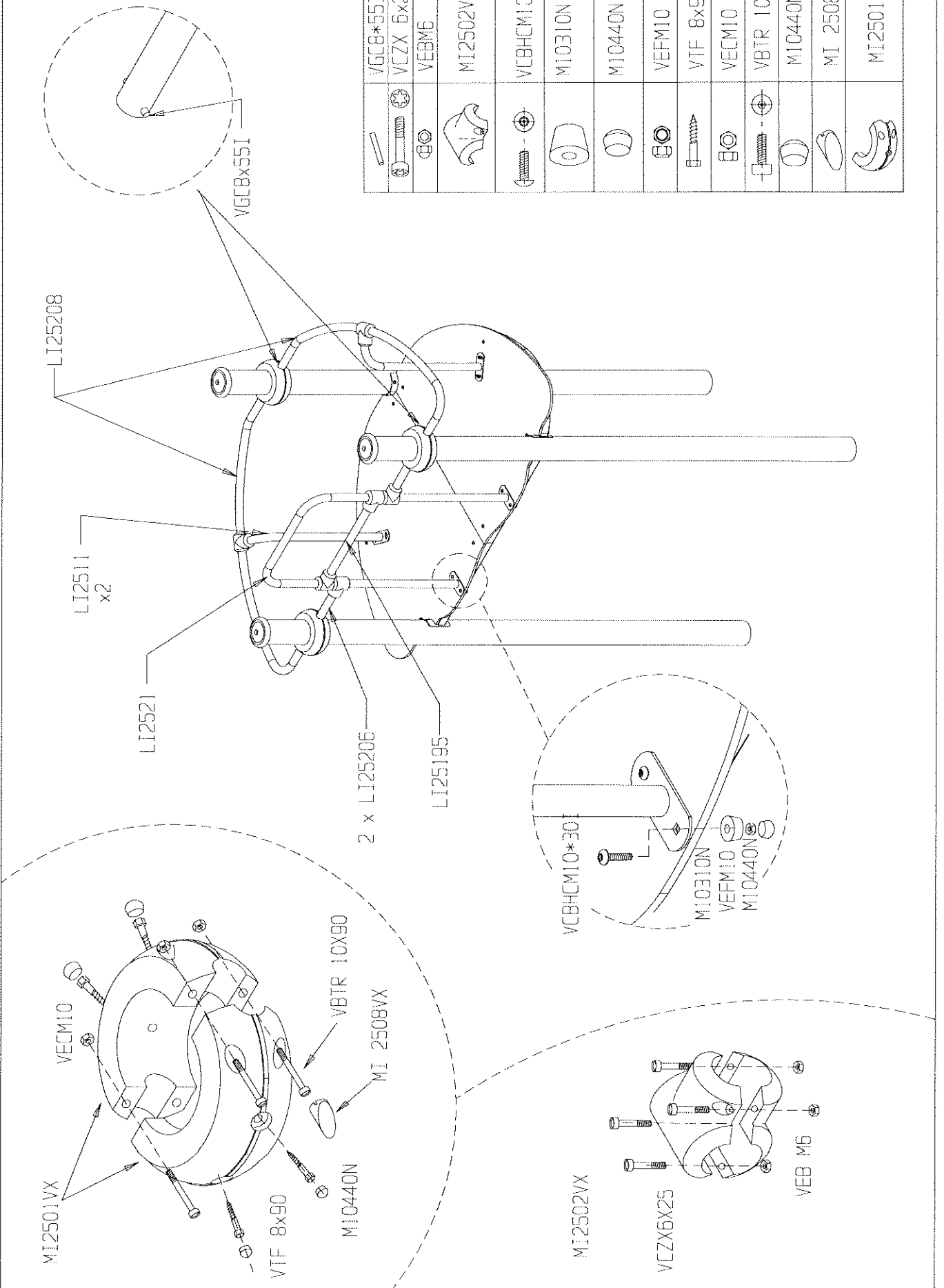
	VBT 7x60	11
	MI 025VX	3
	M10440N	3
	VTRECC10x140	3
	VECM10	3
	VTF 10x60	6
	M10310 N	9
	M10440 N	9



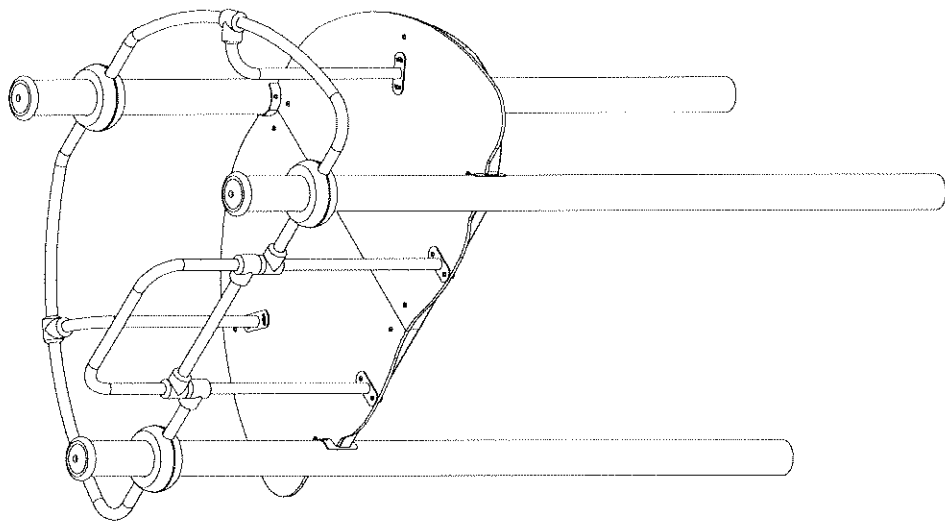
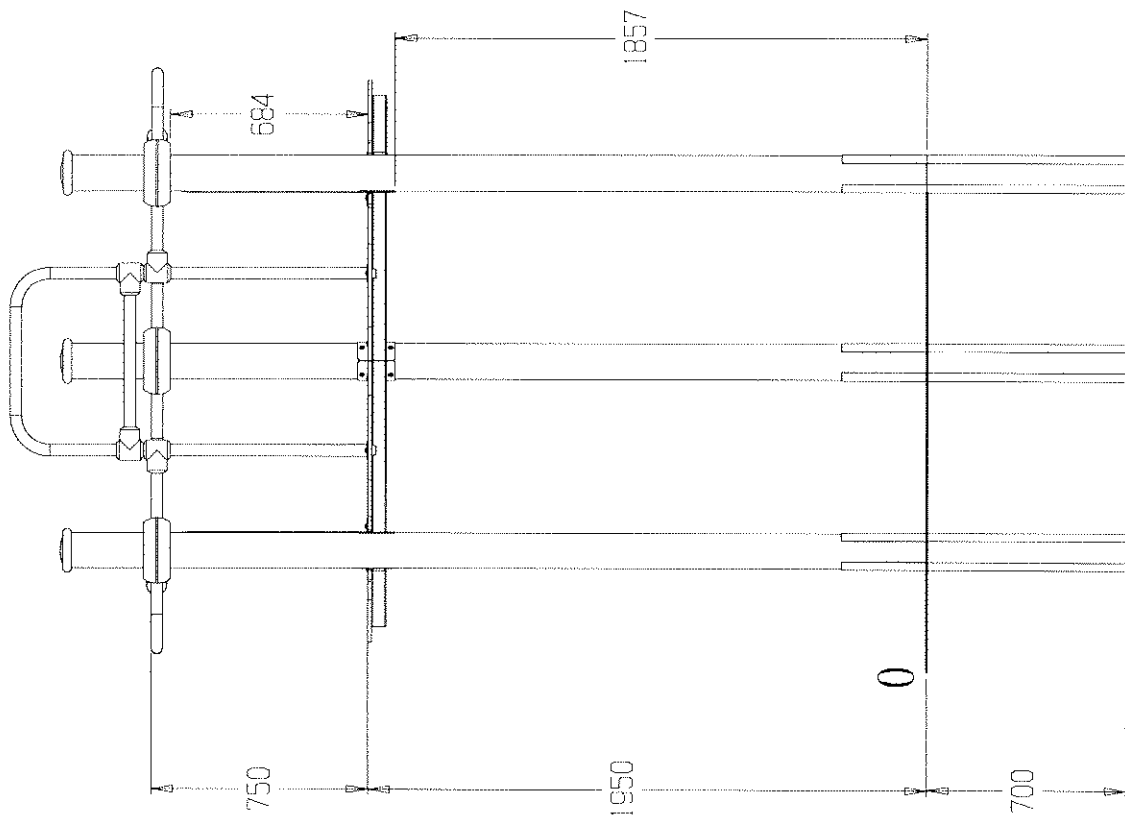
	VBT 7x60	4
---------------------------------------------------------------------------------------	----------	---

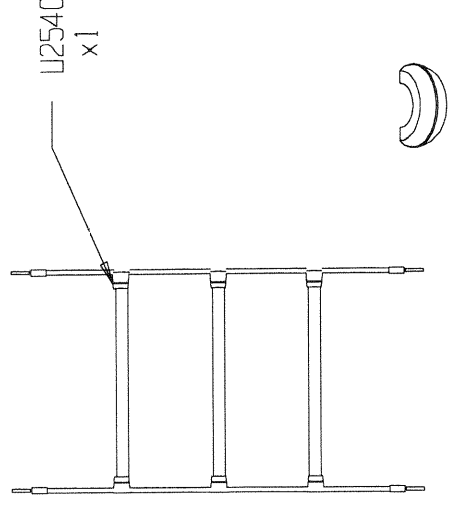
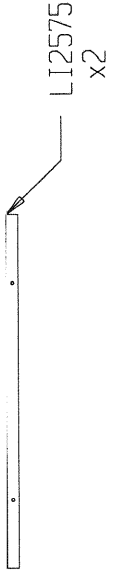
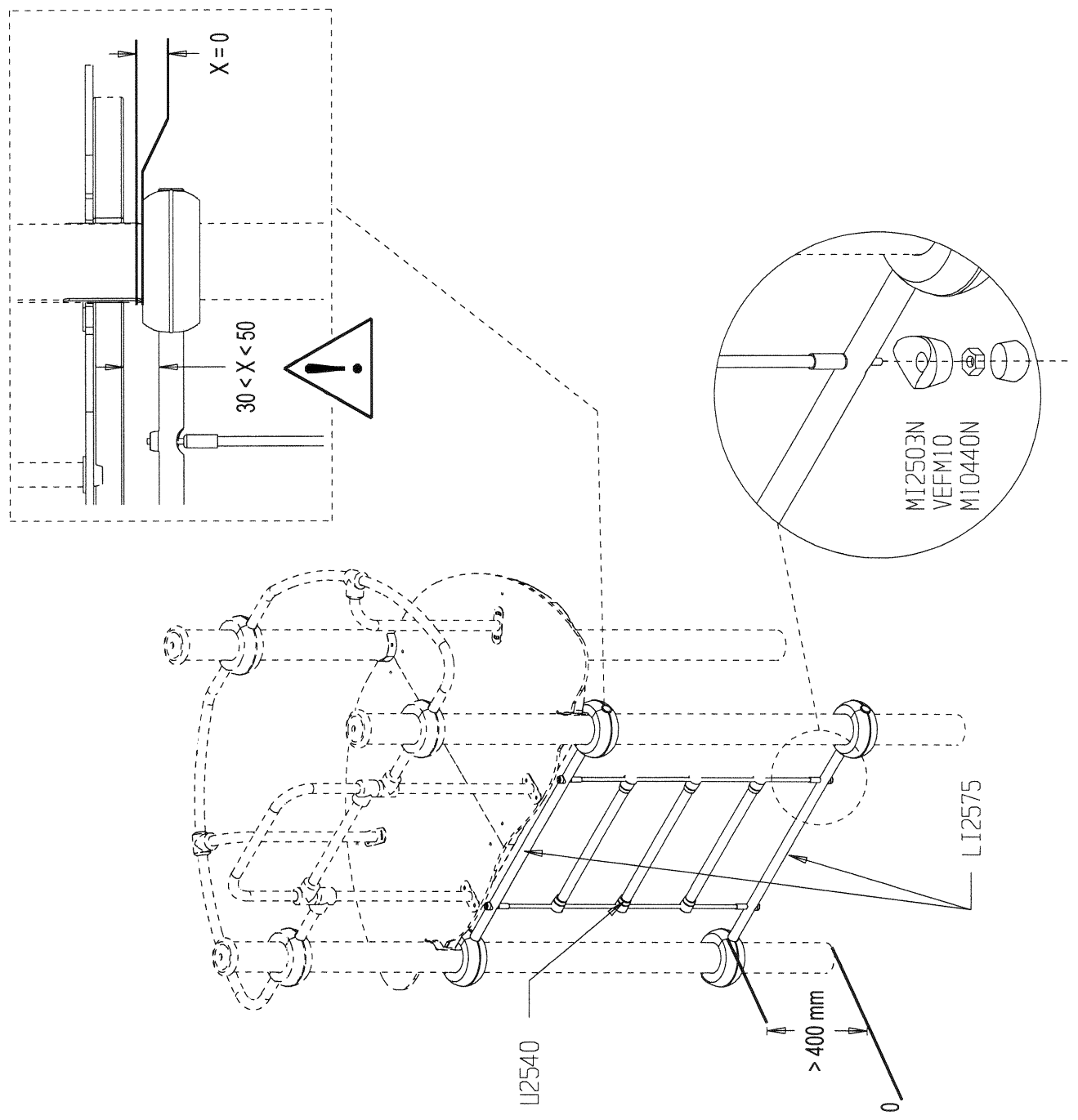


	VCBHC10*30I	8
	M10310N	8
	M10440N	8
	VEFM10	8



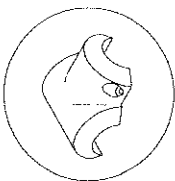
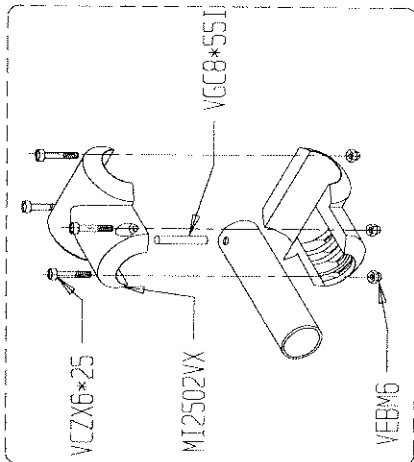
	VGC8*55I	4
	VCZX 6x25	24
	VEBME	24
	MI2502VX	12
	VCBHCMI0*30I	10
	M10310N	10
	M10440N	10
	VEFM10	10
	VTF 8x90	12
	VECM10	12
	VBTR 10x90	12
	M10440N	12
	MI 2508VX	24
	MI2501VX	6





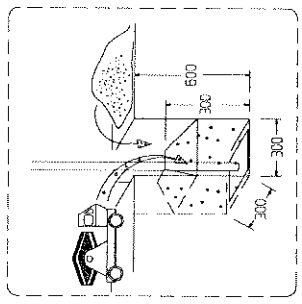
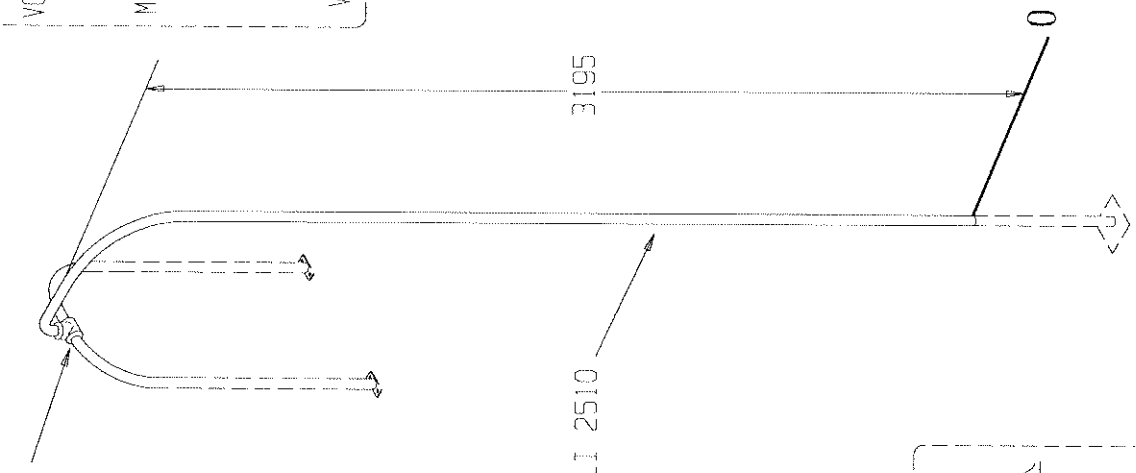
MI2501VX x 8

	VECM10	16
	VBTR 10x90	16
	VTF 8X90	16
	MI2503N	4
	M10440N	20
	VEFM10	4
	MI 2508VX	32
	R 2502	4

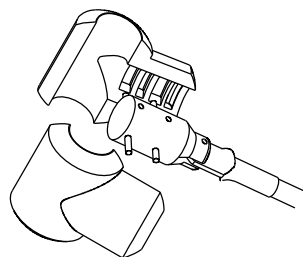
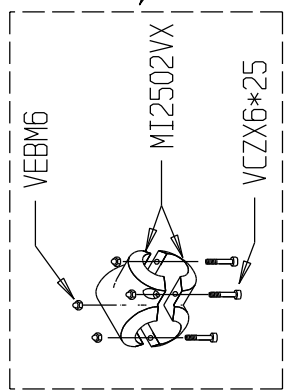


MI2502VX X 2

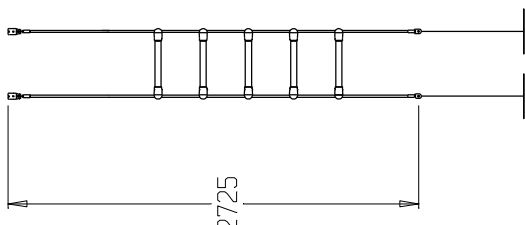
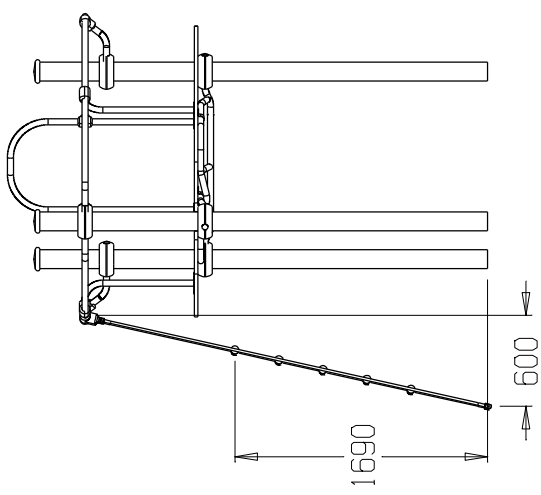
LI2510 X 1
Lg 3795



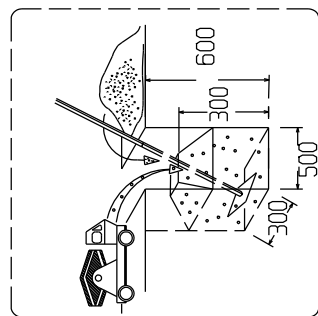
	VGC8*55I	1
	VCZX 6x25	4
	VEBM6	4



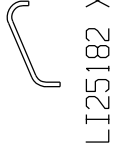
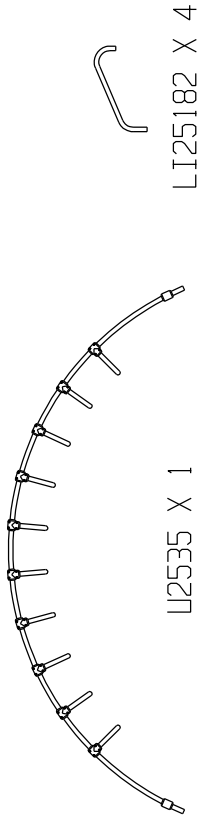
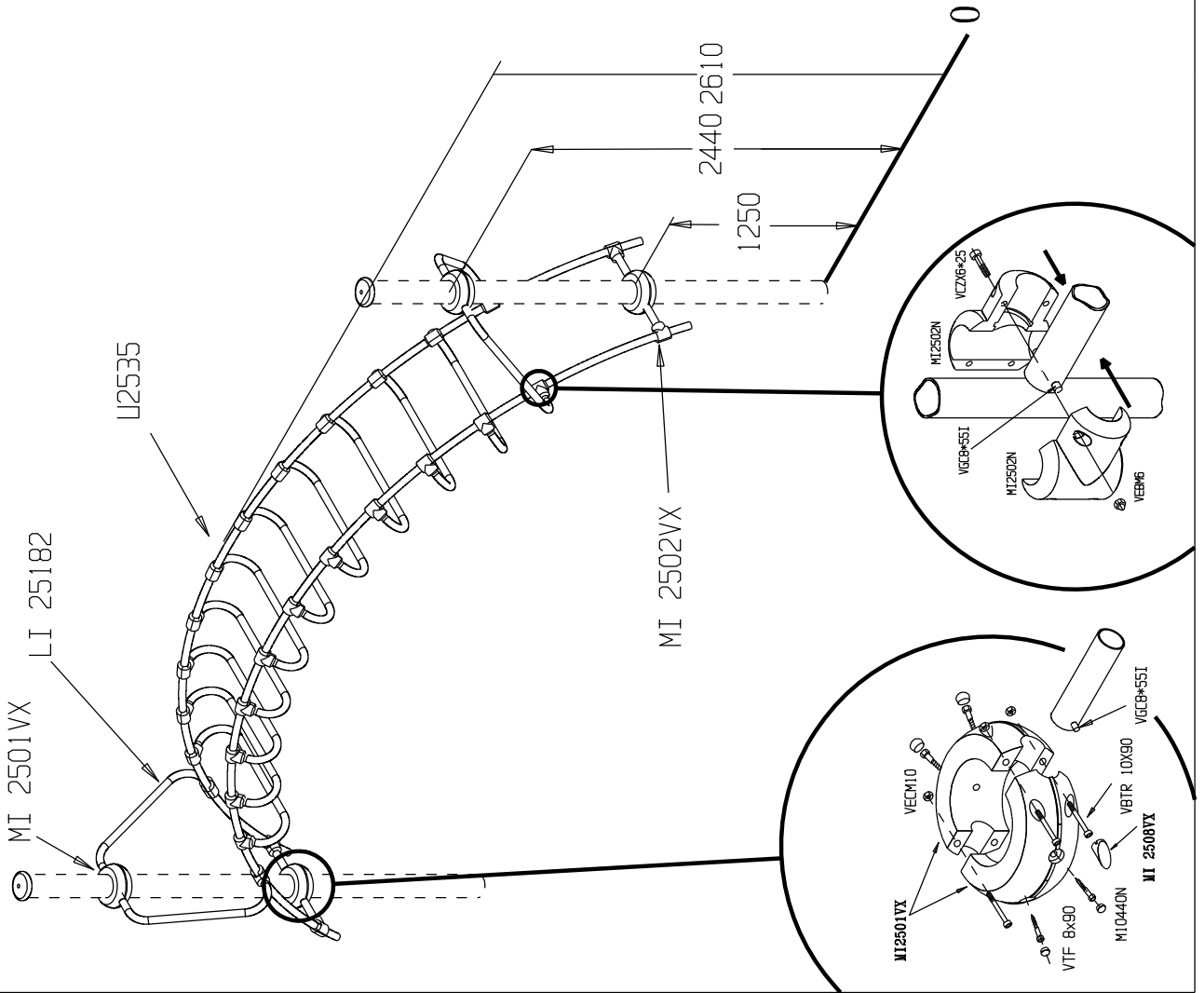
MI2502VX X 4



U2544x 1
Lg 2725



	VCZX 6x25	8
	VEBM6	8



MI2501VX X 8



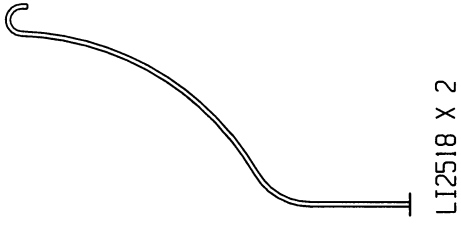
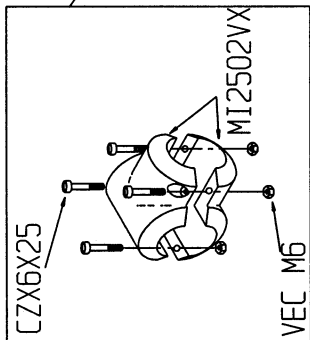
MI2502VX X 8

	VGC8*55I	12
	VTF 8x90	16
	VBTR 10x90	16
	VCZX 6x25	16
	M10440N	16
	VECM10	16
	VEBMG	16
	MI 2508VX	32

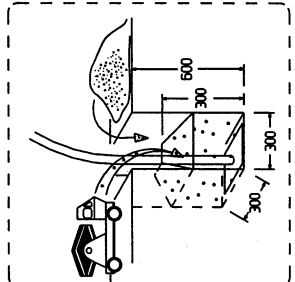
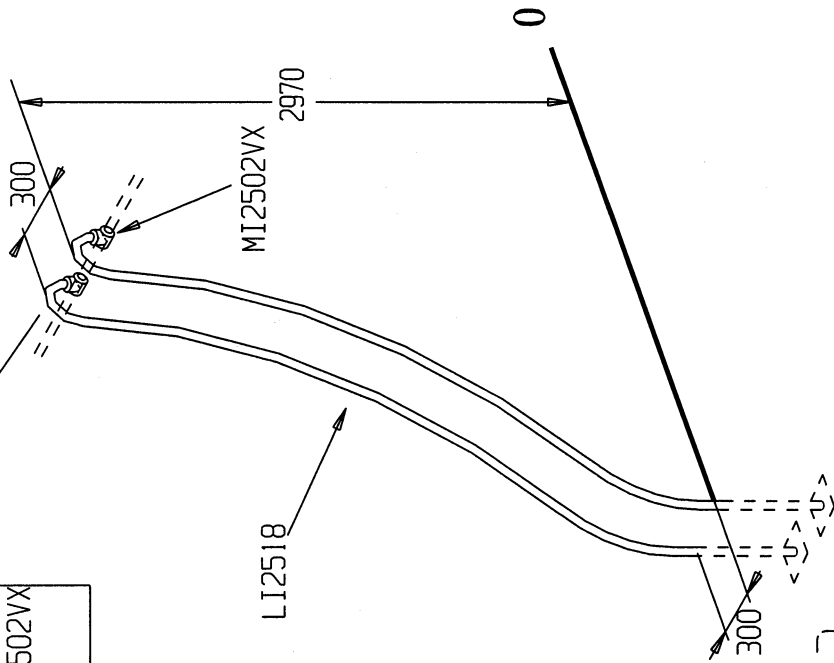
G 2527

Provaldic

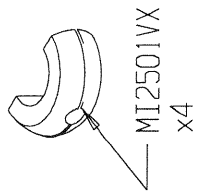
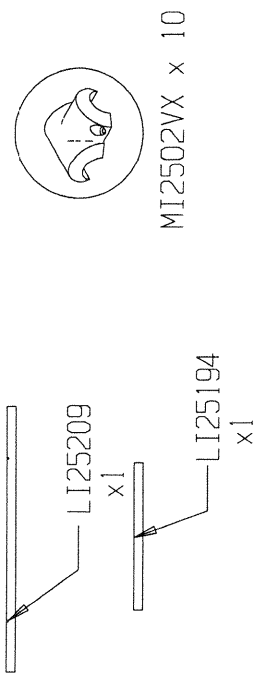
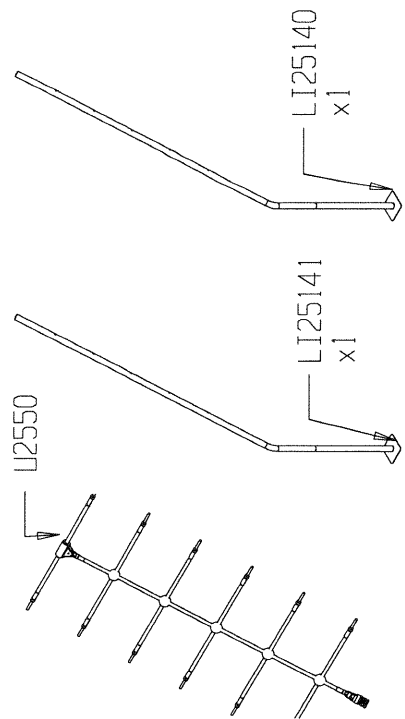
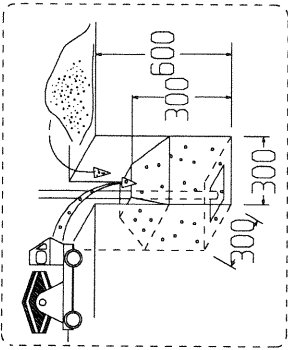
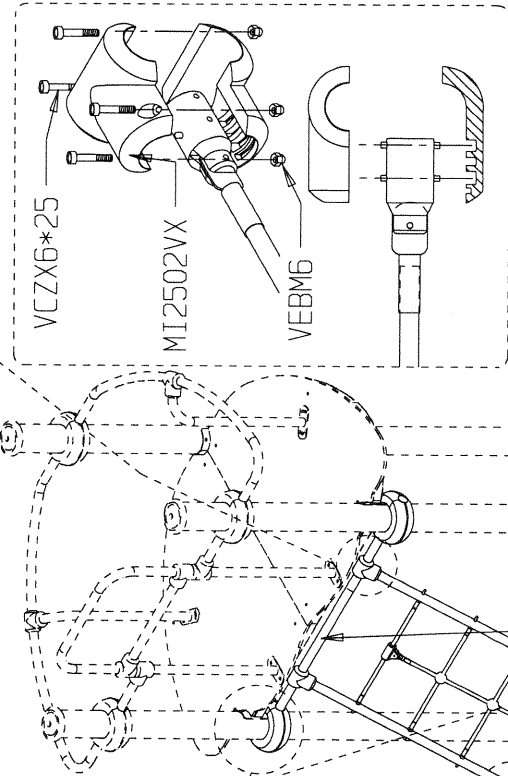
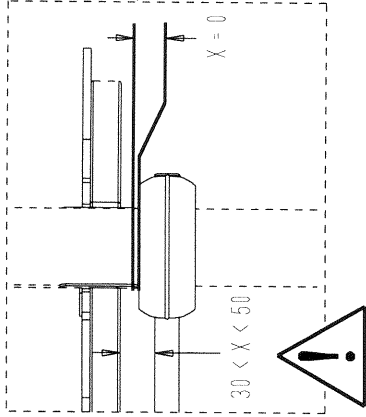
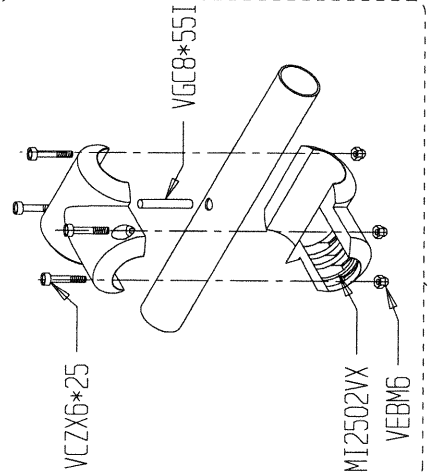
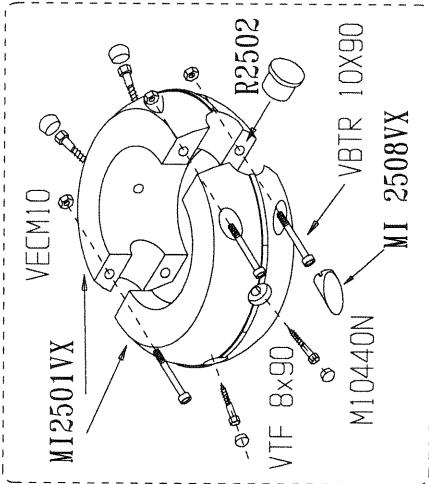
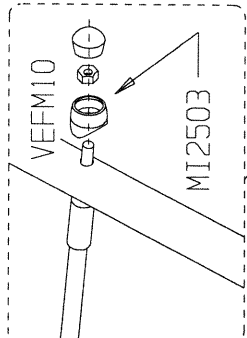
17-11-98



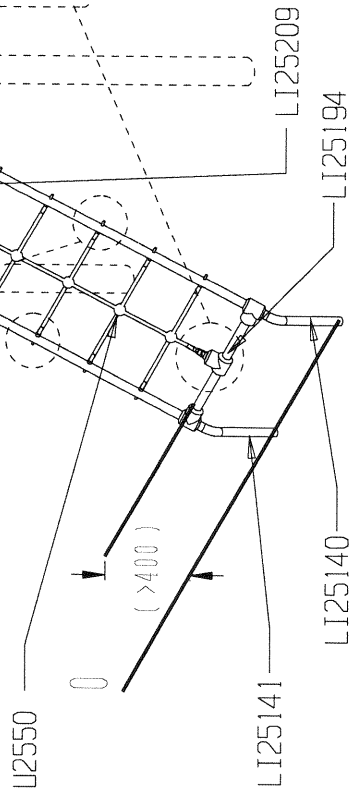
MI2502VX X 4

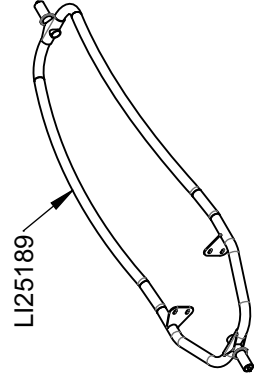
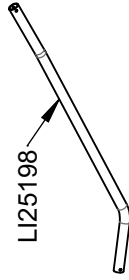
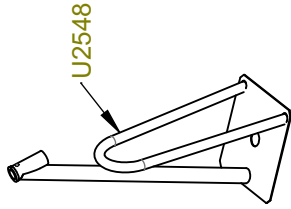
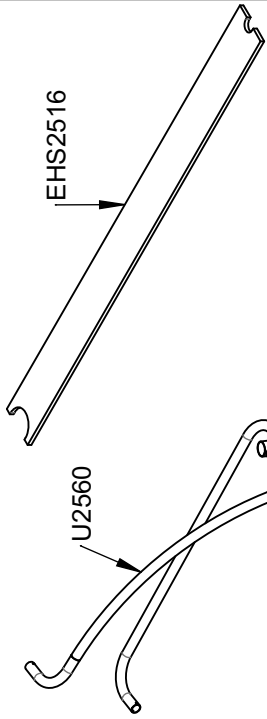
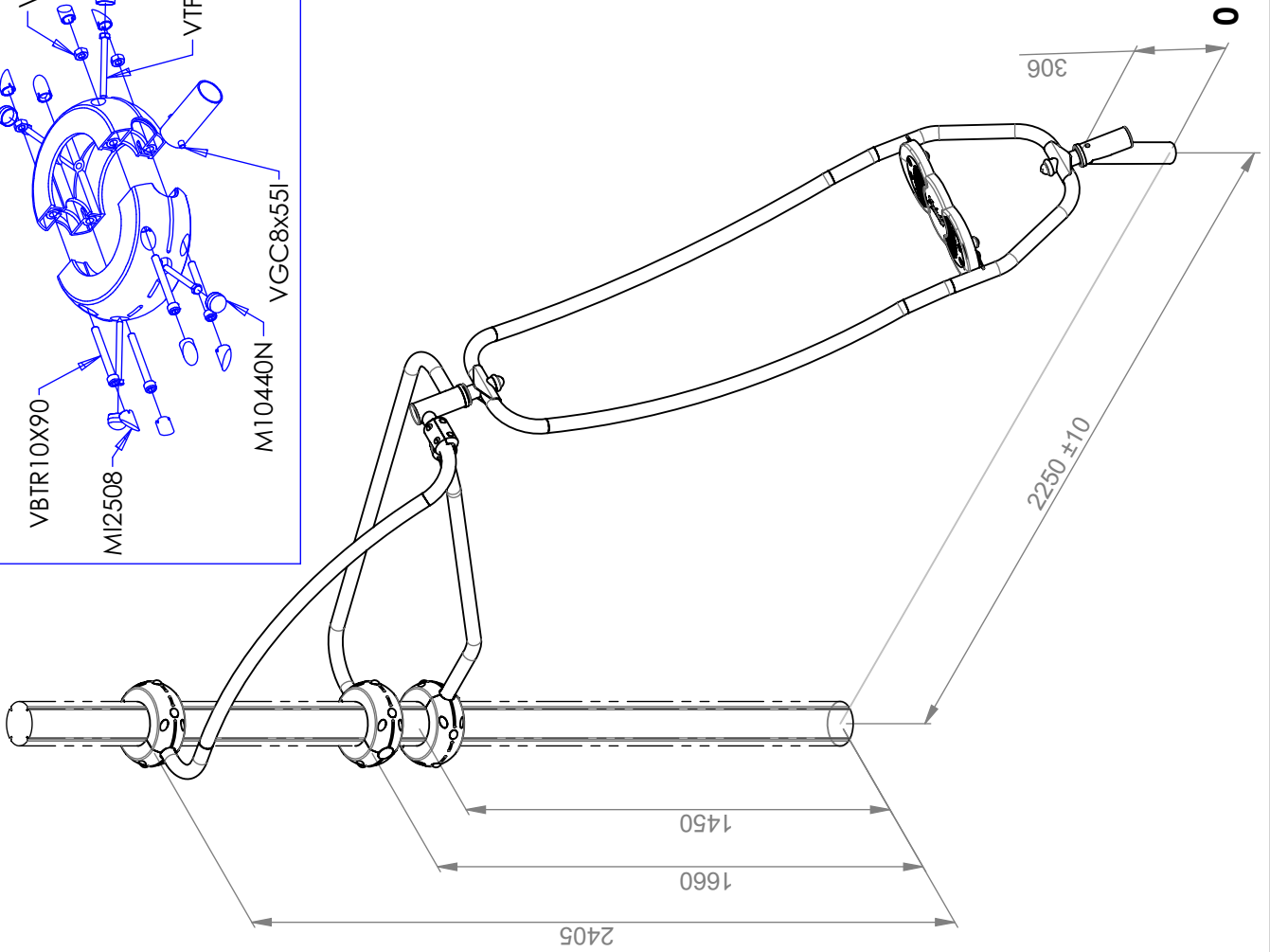


⊕	VECM6	8
⊕	VCZX 6x25	8

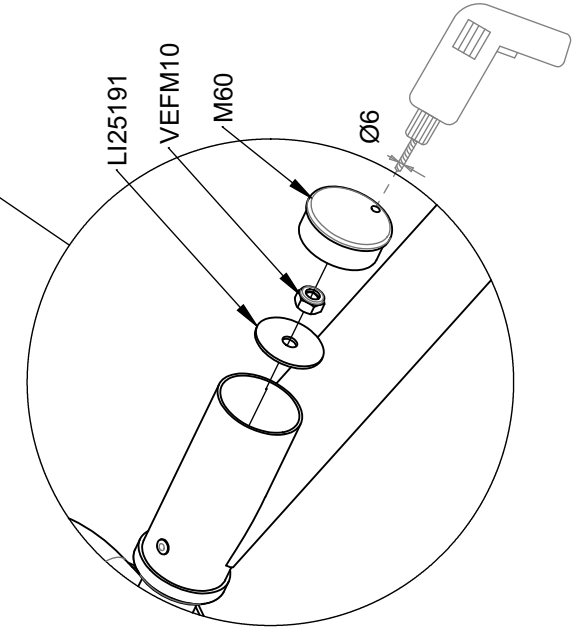
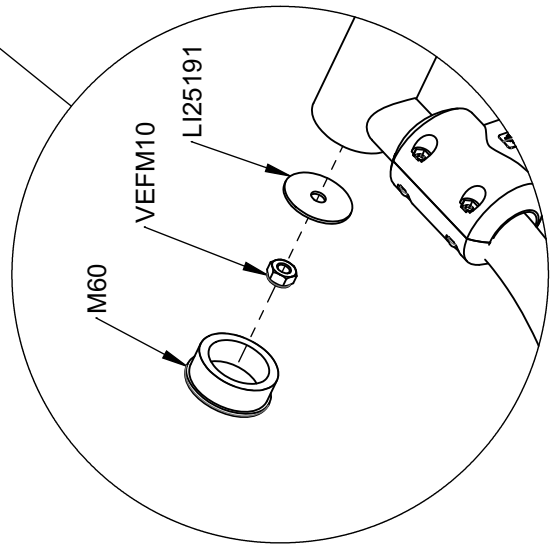
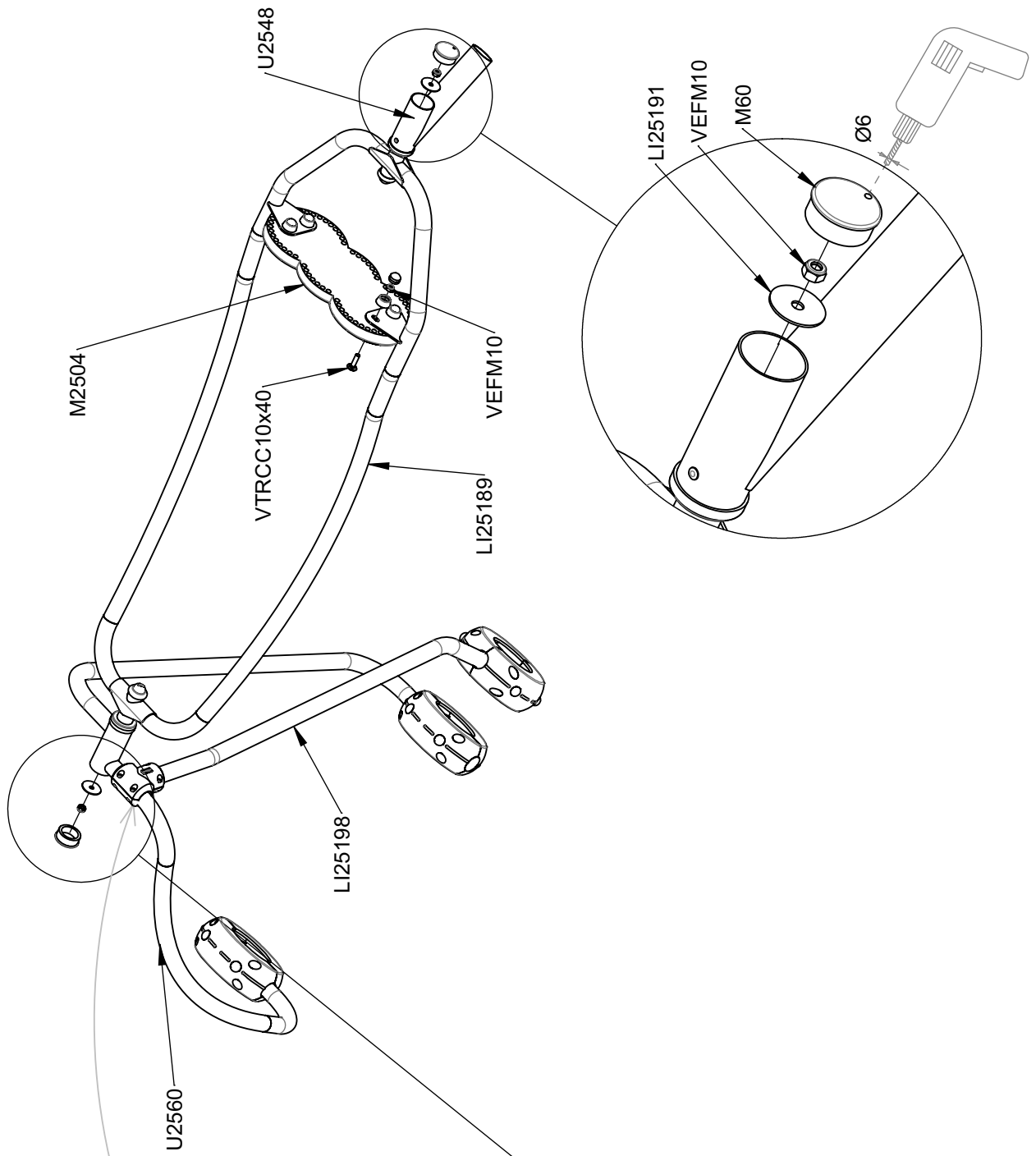
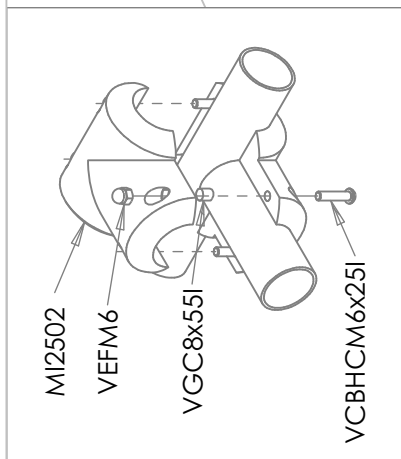


	R 2502	2
	VTF 8x90	8
	VECM10	8
	VBTR 10x90	8
	M10440N	8
	MI 2508VX	16
	VGC8*55I	2
	VCZX 6x25	20
	VEBM6	20
	M10440N	12
	MI2503N	12
	VEFM10	12

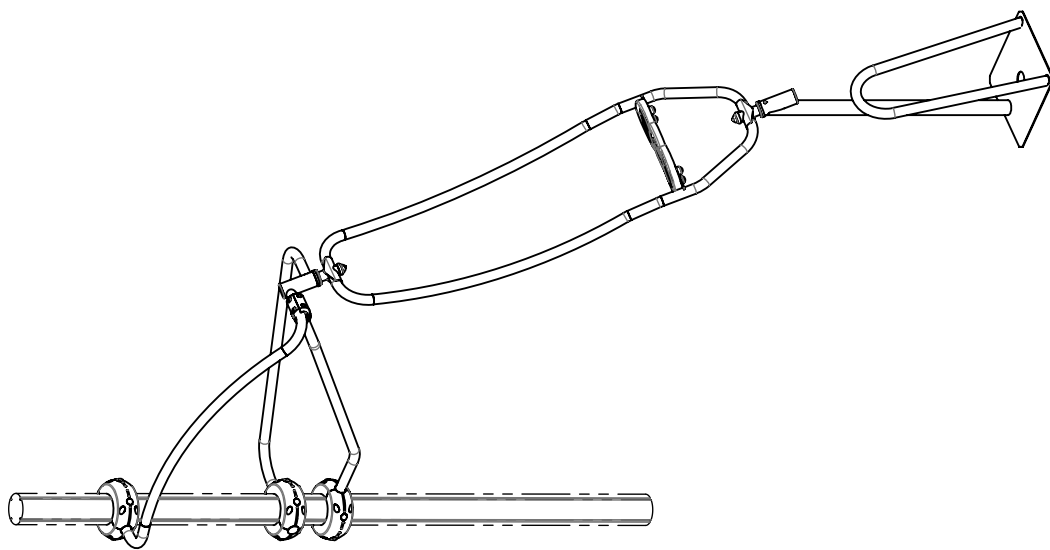




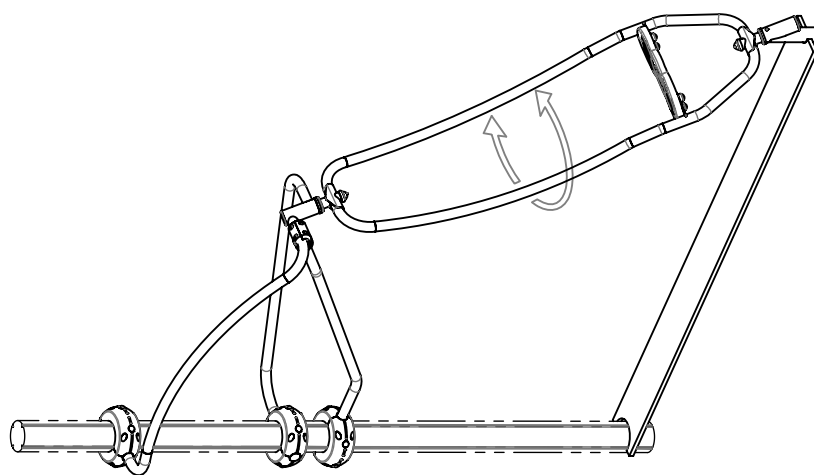
Réf	Qté
LI25189	1
LI25191	2
LI25198	1
M60	2
M2504	1
M10310N	4
M10440N	16
M12501VX	6
M12502VX	2
M12508	24
M12510N	2
R2502	3
U2548	1
U2560	1
VBTR10X90	12
VCBHC6x25I	4
VEBM6	4
VECM10	12
VEFM10	6
VGC8x55I	2
VTF8x90	12
VTRCC10x40	4



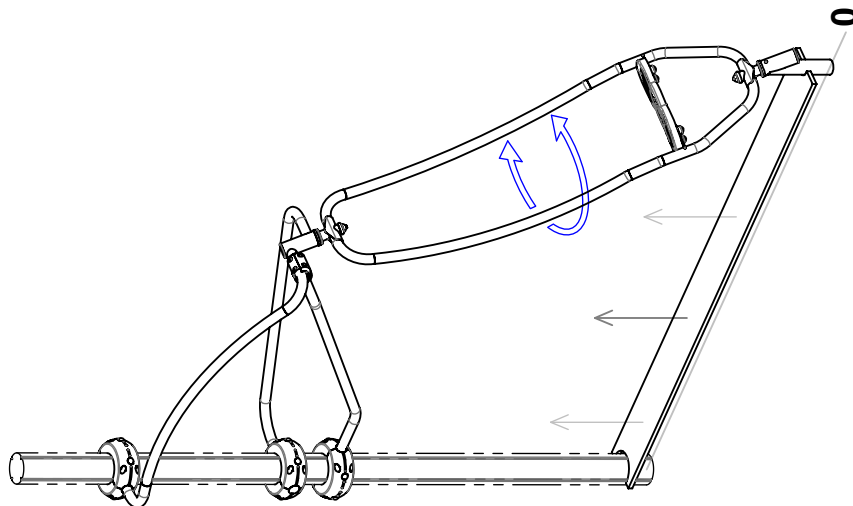
①

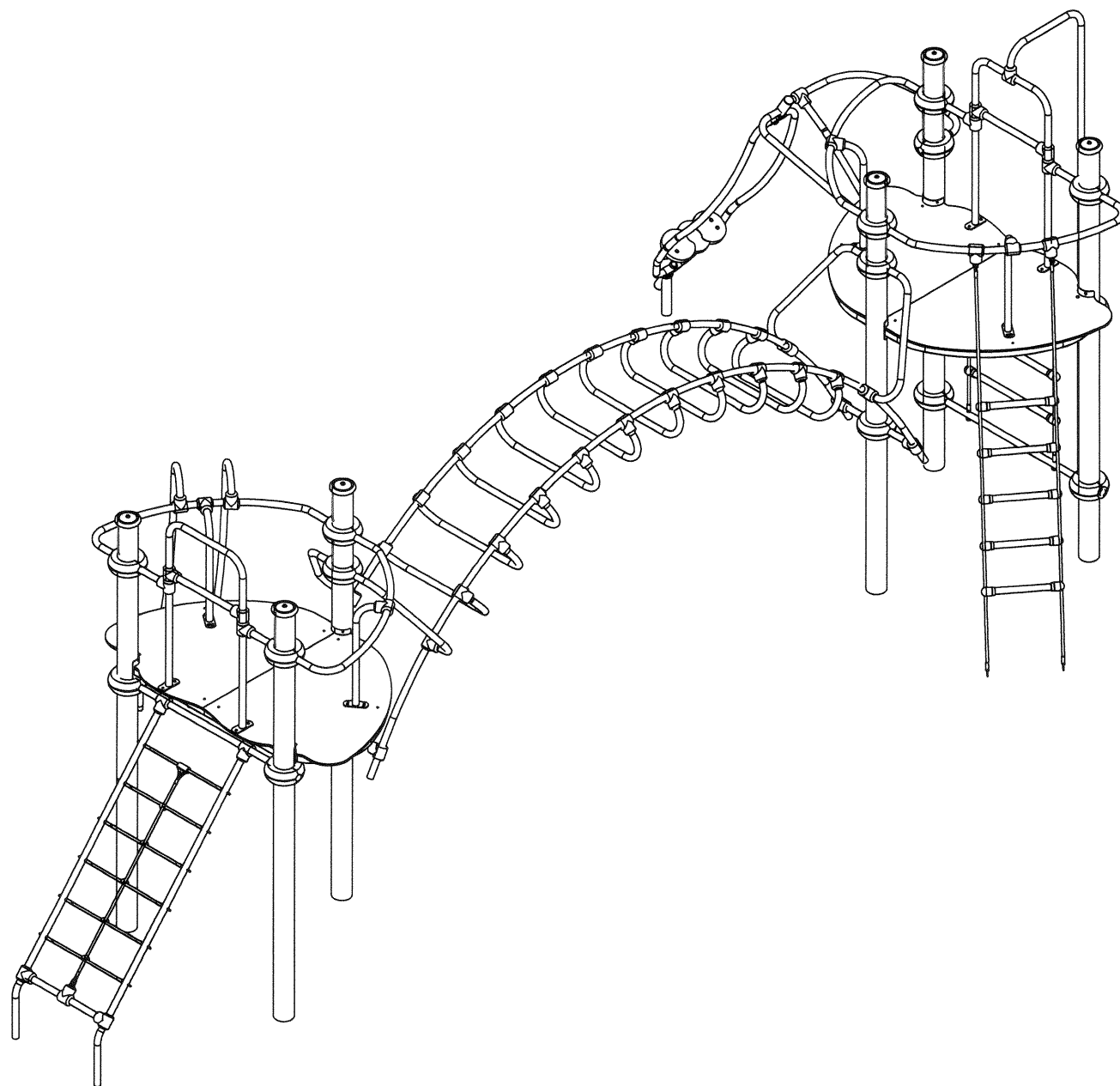


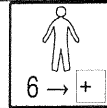
②



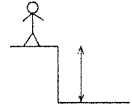
③







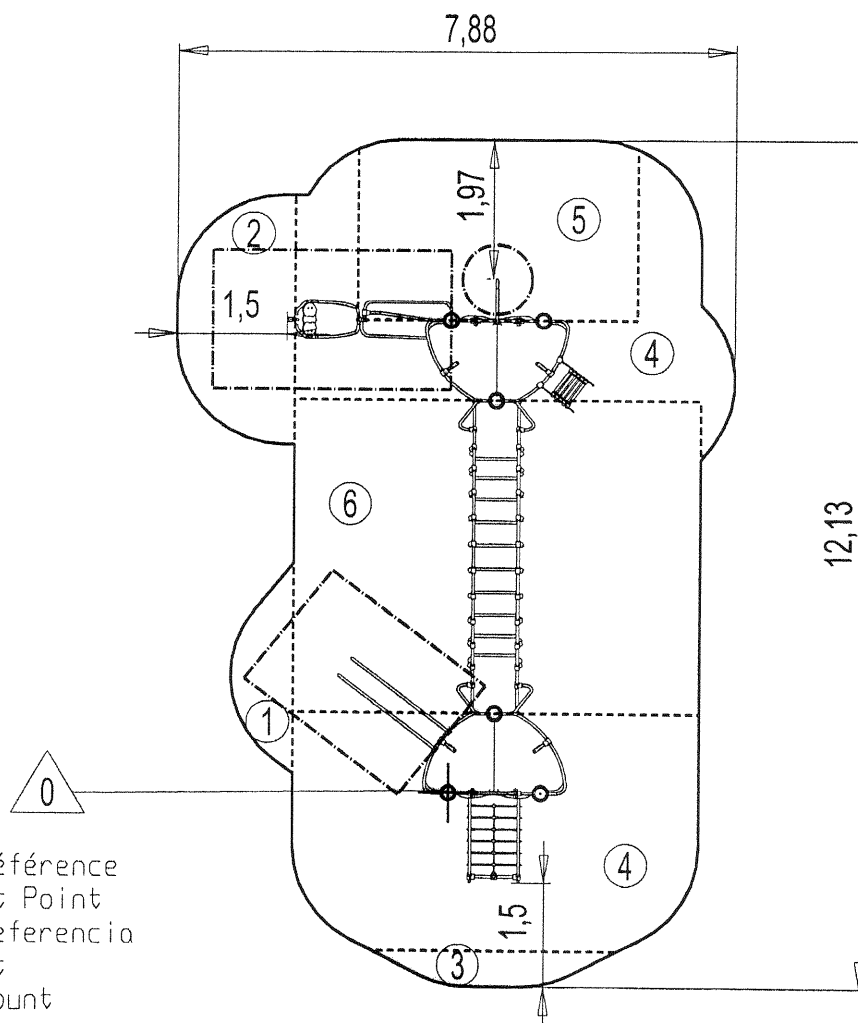
Pro ludic

N°		M ²
①	0.6 m	2 m ²
②	0.7 m	5 m ²
③	1 m	1.5 m ²
④	1.95 m	30 m ²
⑤	2.2 m	10.5 m ²
⑥	2.4 m	26 m ²

— Zone d'Impact
Impact Area
Area de Impacto
Fallraum
Valzone

--- Espace libre
Free Space
Espacio Libre
Freiraum
Vrije ruimte

EN1176-1 : 2017



Ømm VTH6*30A



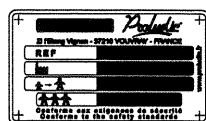
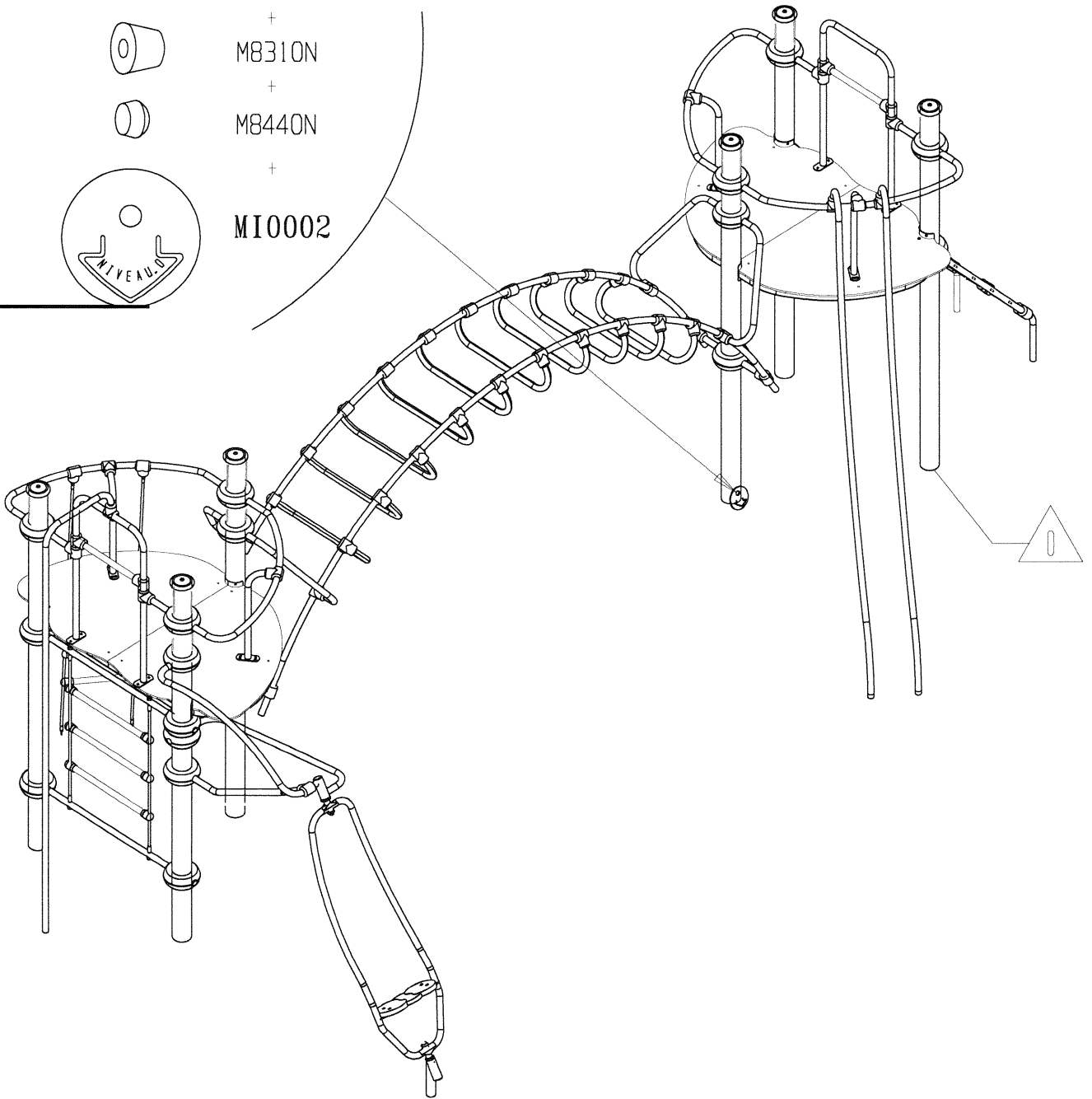
+
M8310N



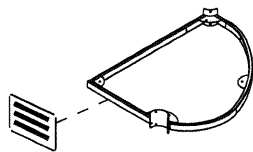
+
M8440N



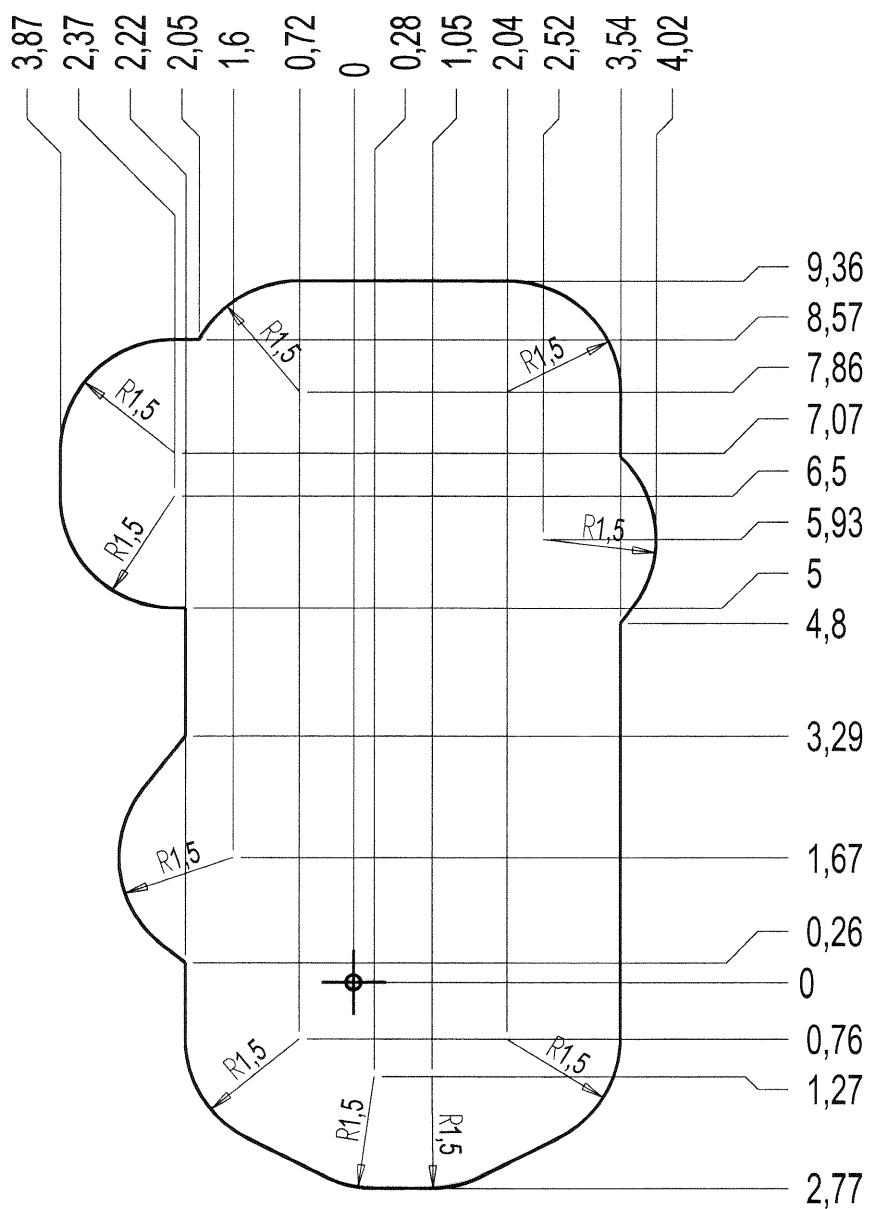
+
MI0002



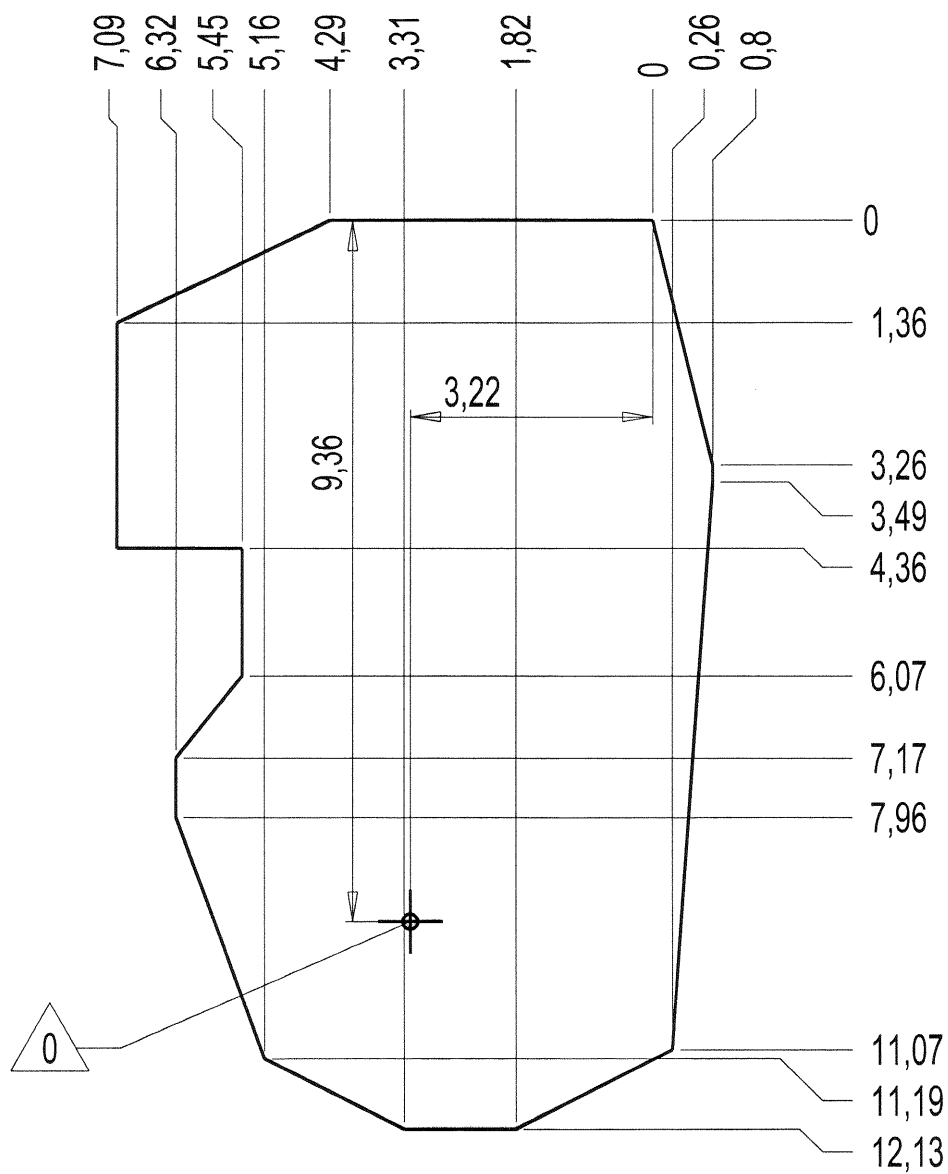
LA000



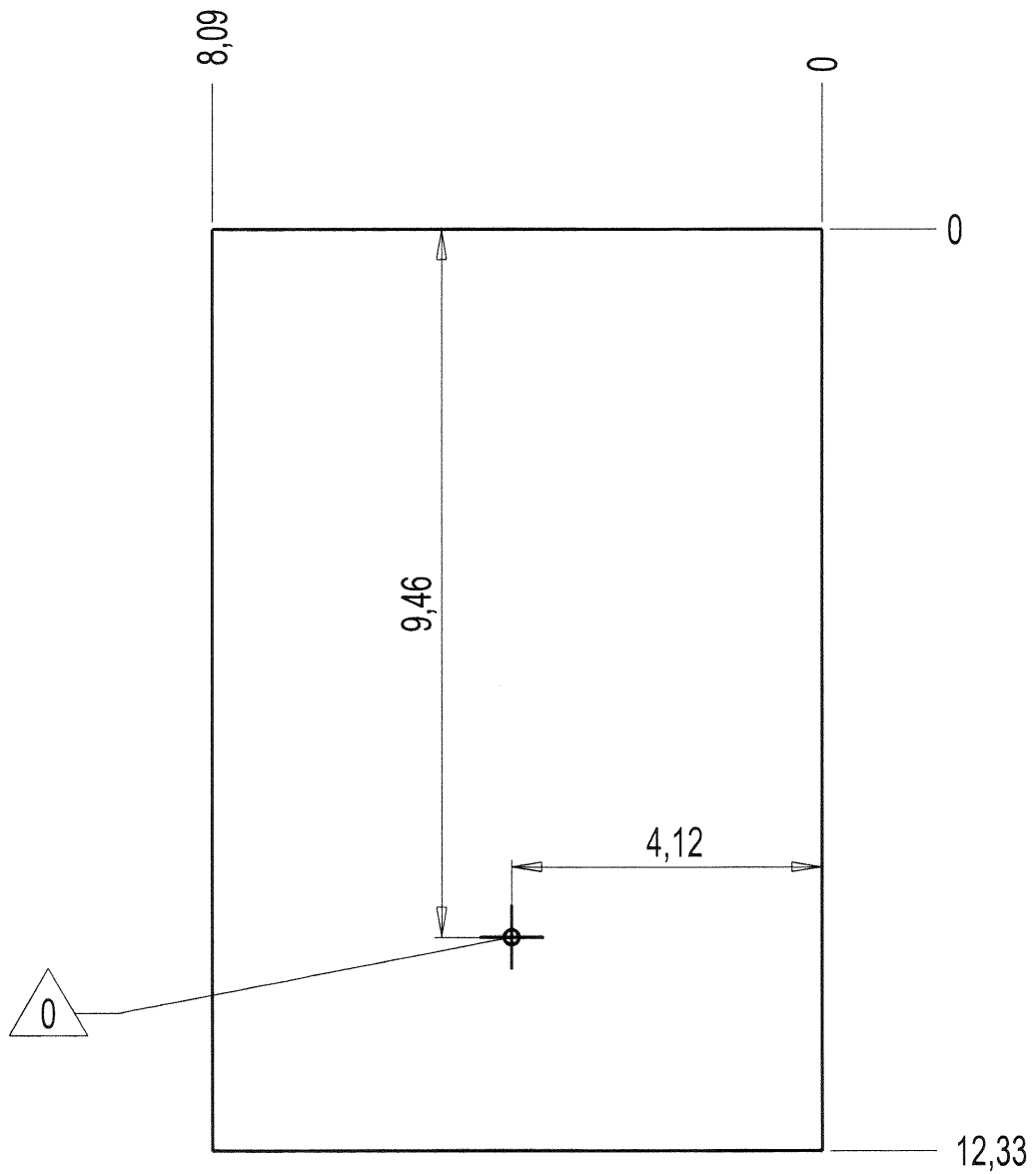
— Zone d' Impact 75 m²
 Impact Area
 Area de Impacto
 Fallraum
 Valzone



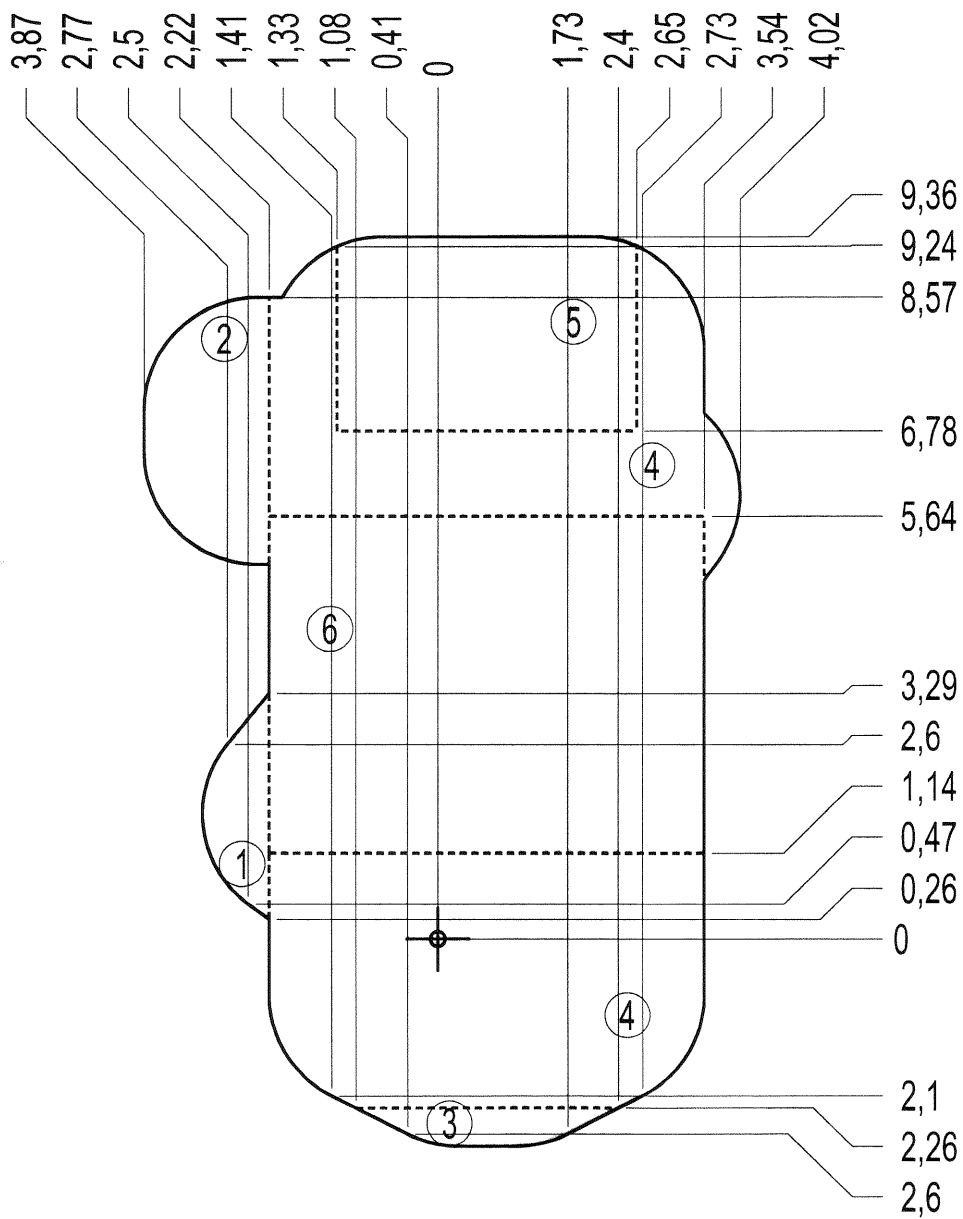
—	Dalle béton	37 m
	Concrete pad	77 m ²
	Solera de Hormigón	
	Beton Bodenplatte	
	Betonnen bodemplaat	

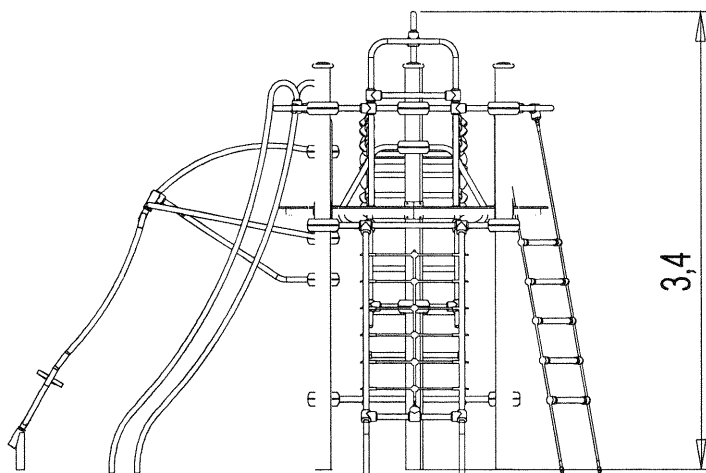
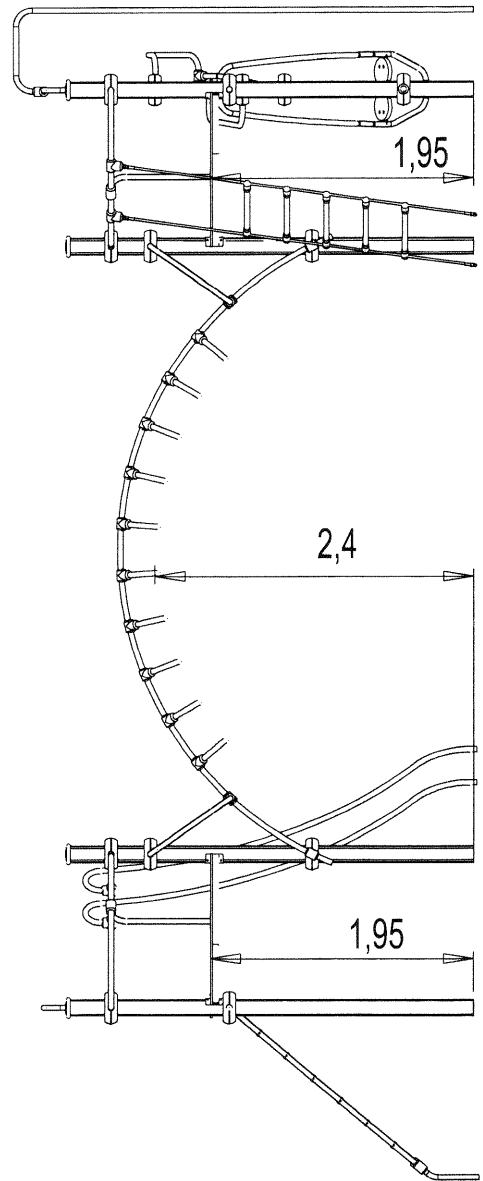
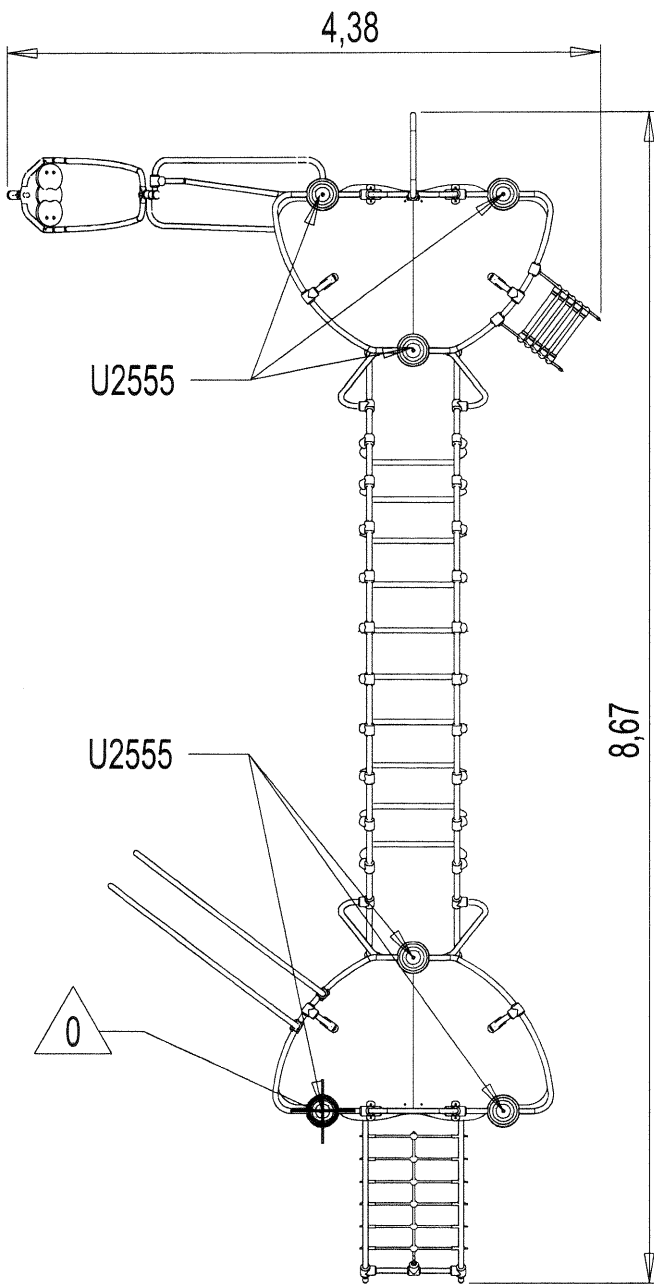


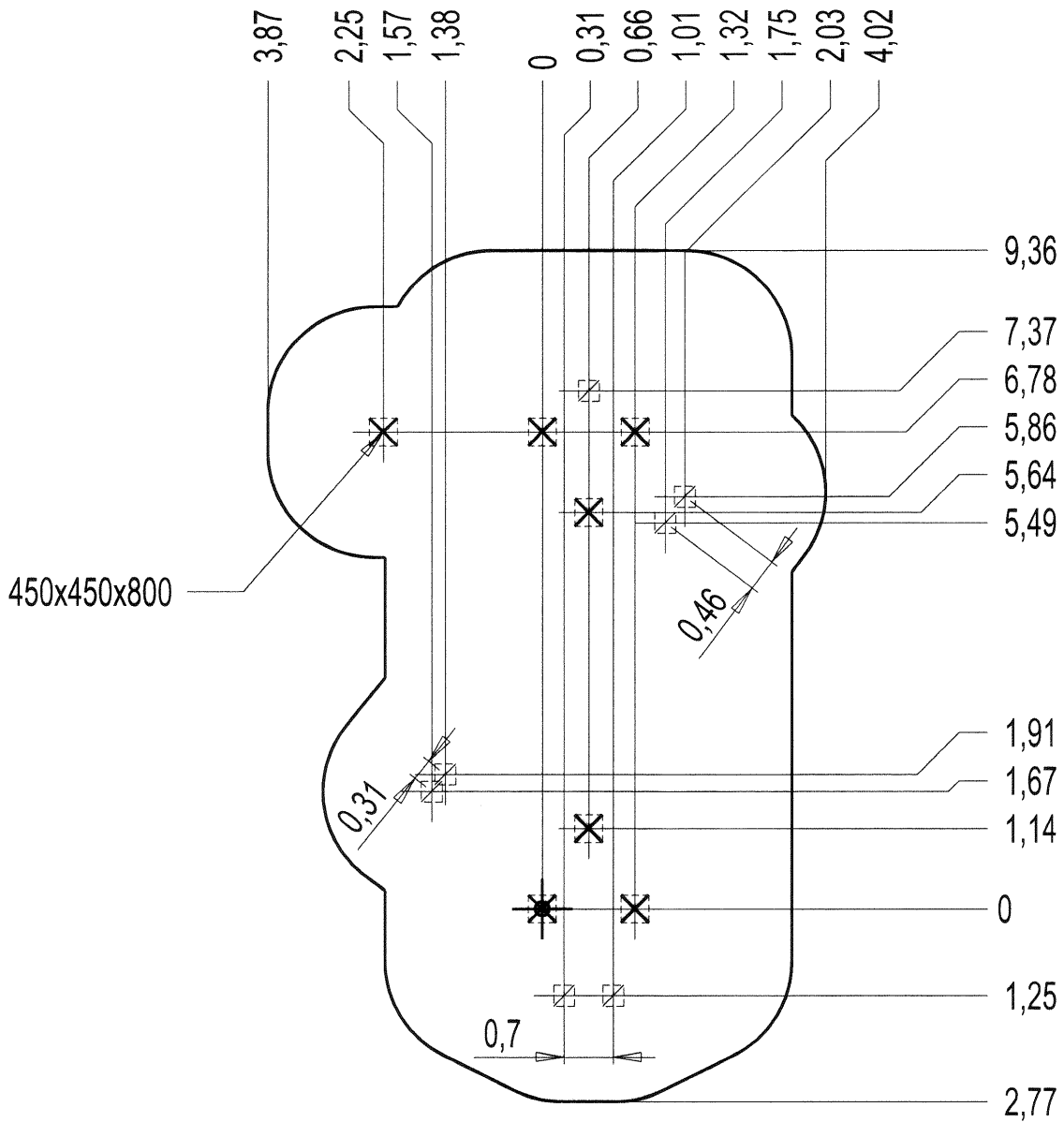
— Sol fluent 41 m
Loose particle material 100 m²
Arenero
Loses Bodenmaterial
Los bodenmaterial



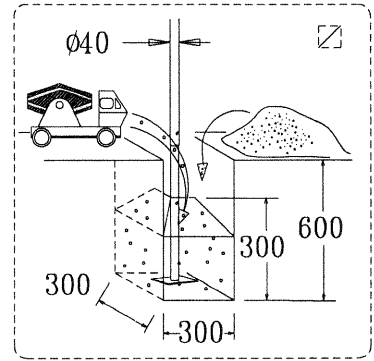
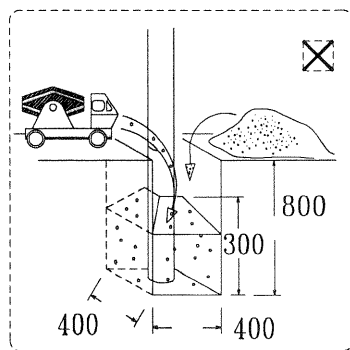
— Sol souple **75 m²**
 Wetpour
 Caucho Continuo
 Synthetischer Fallschutz
 Gietvloer





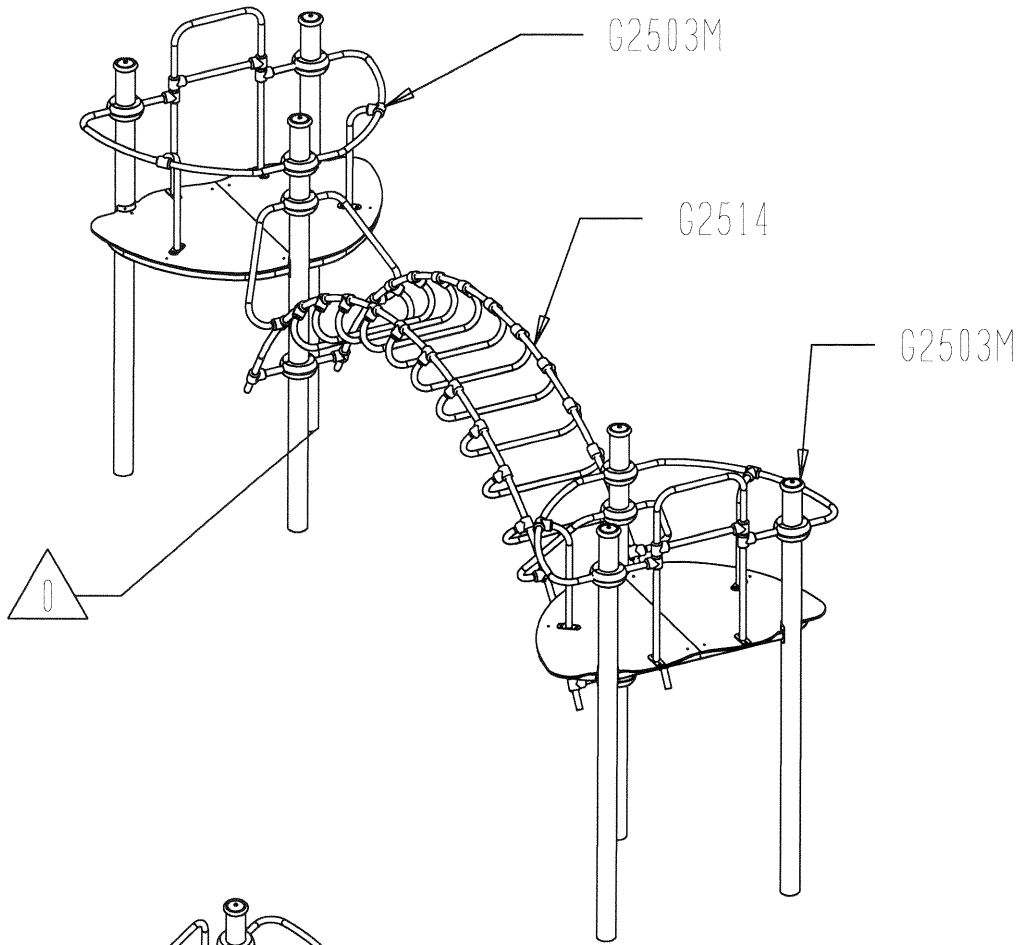


Implantation
 Footing plan
 Implantación
 Fundamentplan
 Funderingstekening

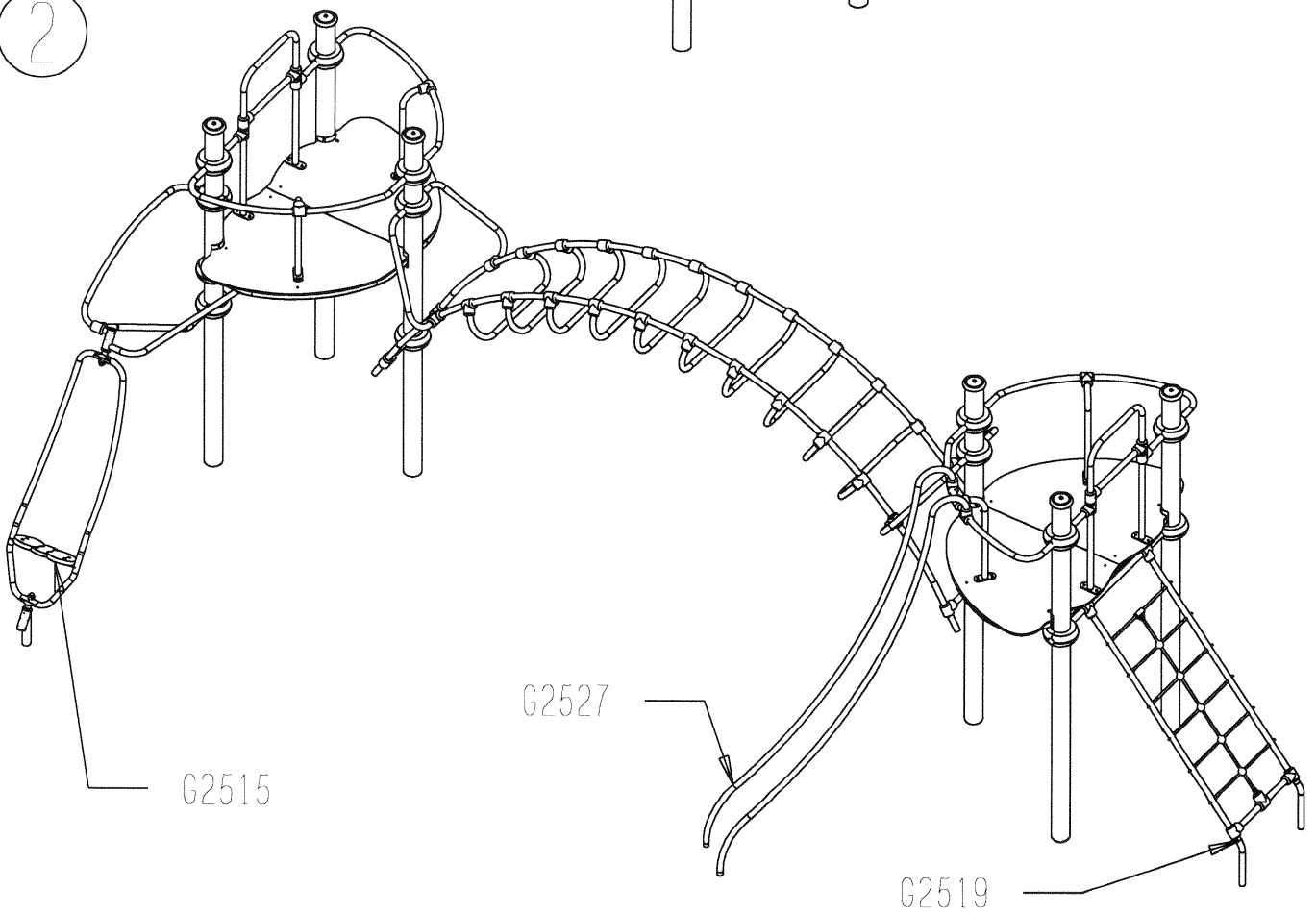


x2	22H	0.7m ³
----	-----	-------------------

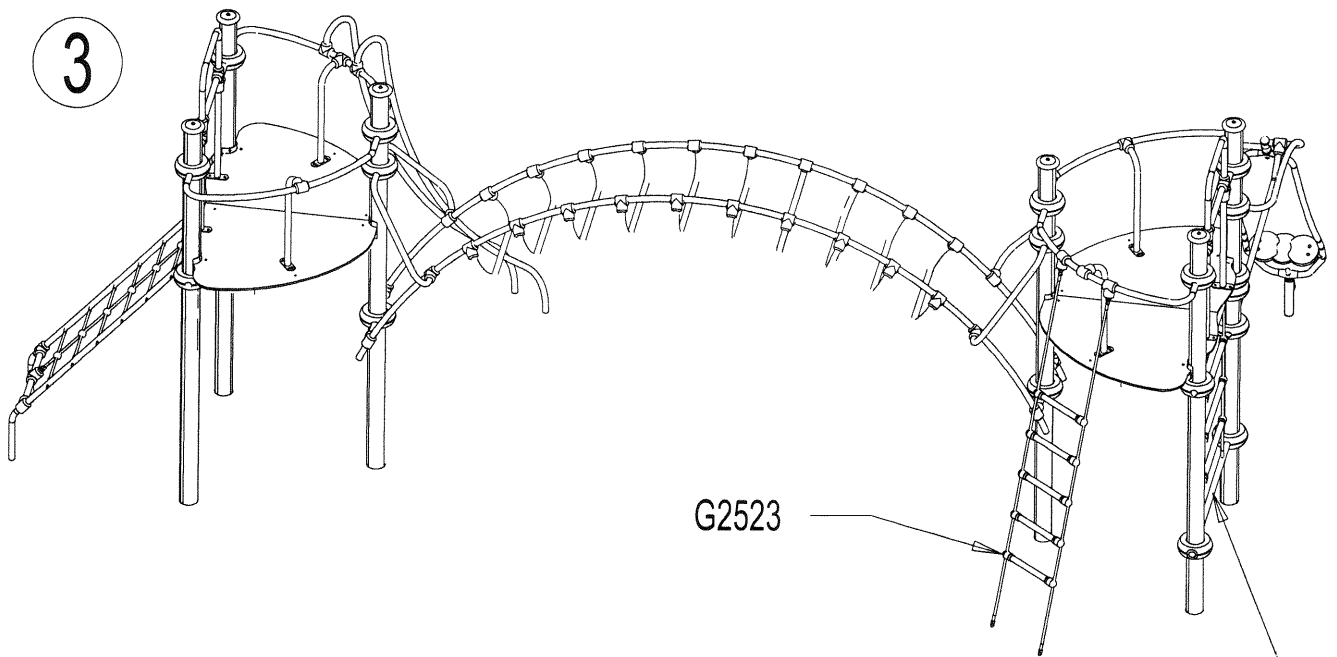
1



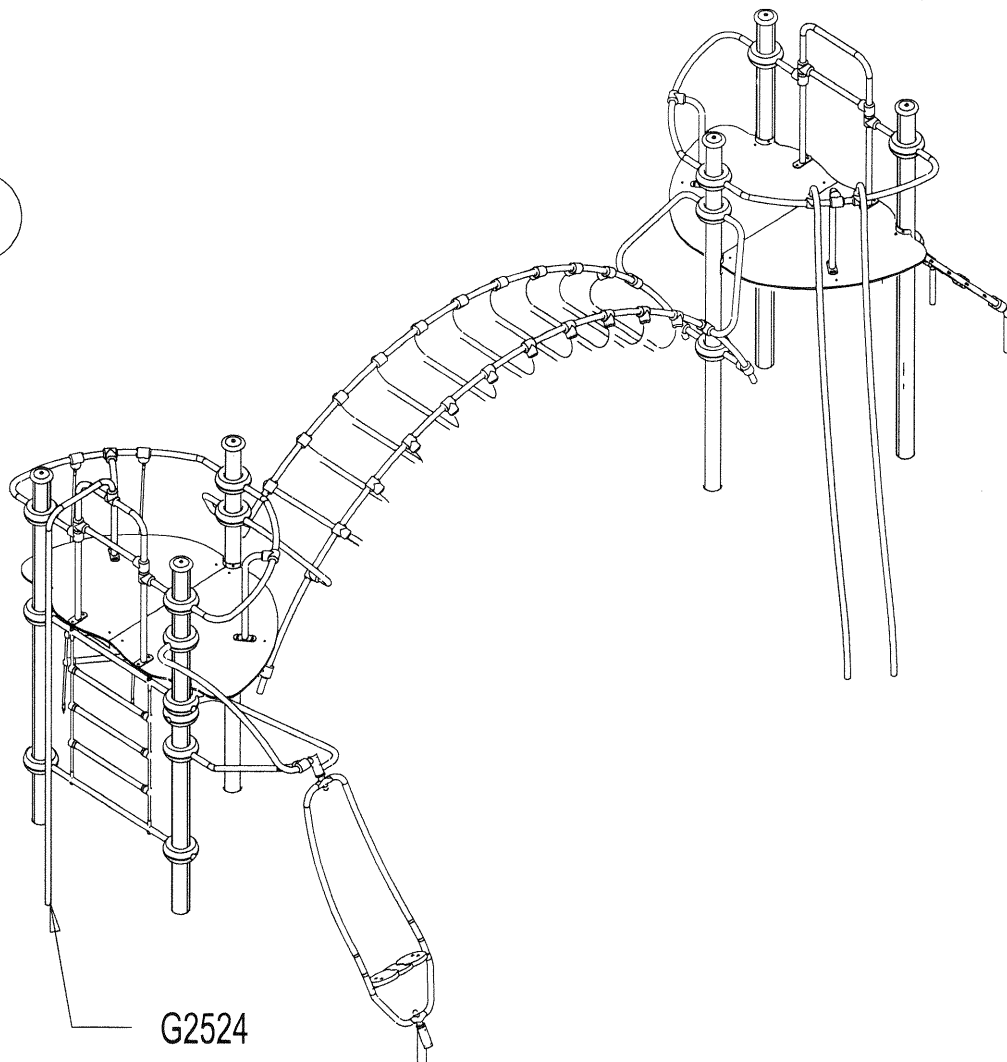
2

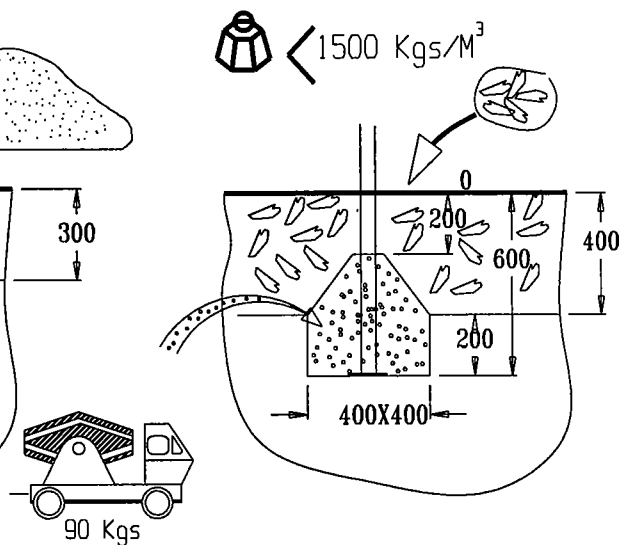
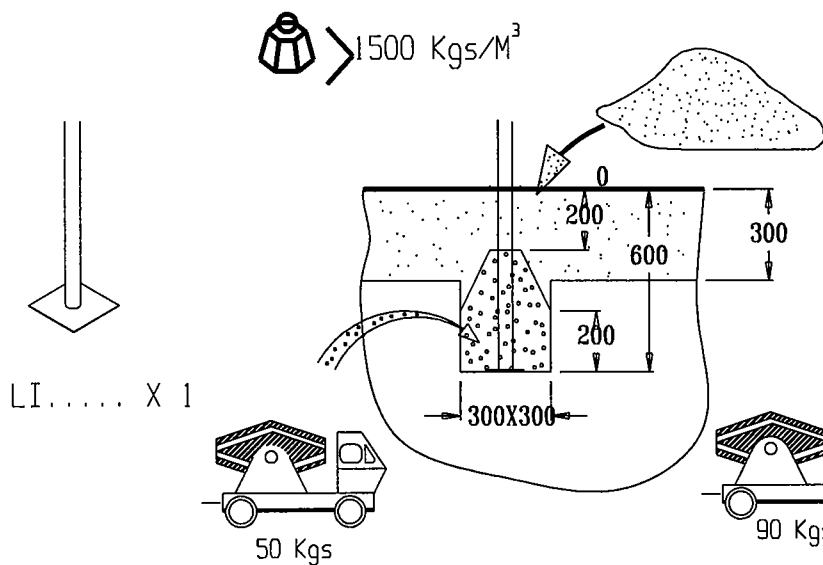
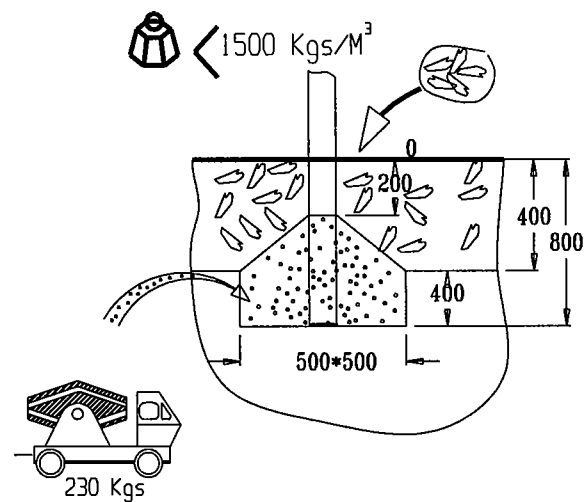
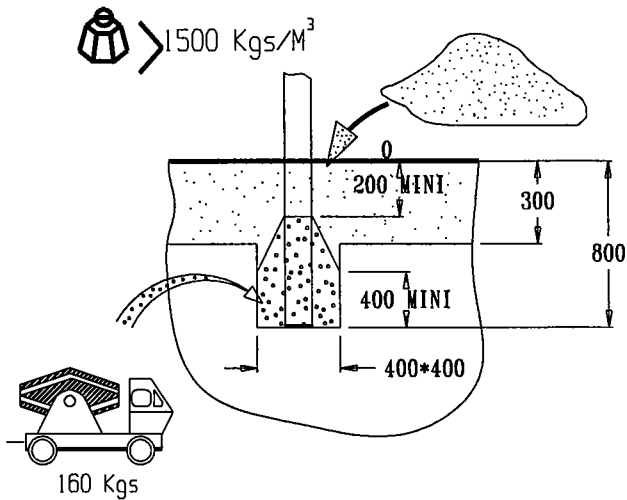
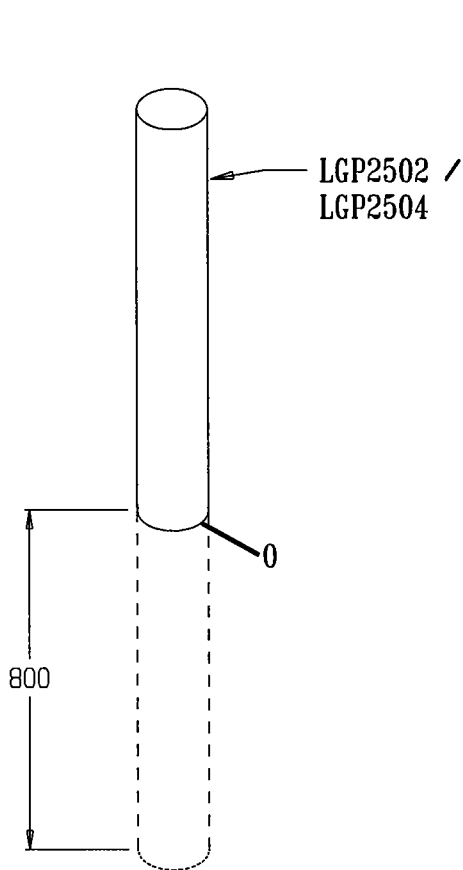


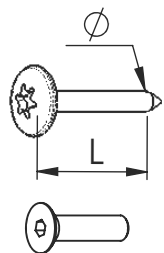
3



4







VBT 6 x 30
 \varnothing \uparrow L (mm)

VFHC



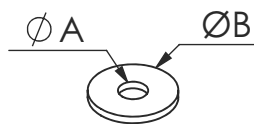
VEC M10
 \varnothing




VEF




VEB



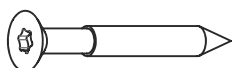
VR6x18
 $\varnothing A$ $\varnothing B$



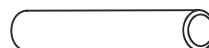
1000 - 1800 tr/min
 Vitesse de rotation
 Rotation speed



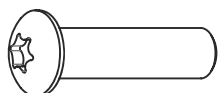
14 N.m
 Couple de rupture
 Torque of break



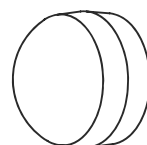
VWT



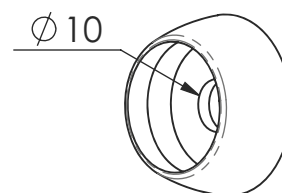
VGC



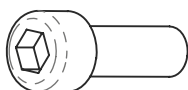
VCBHC



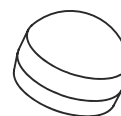
M10 440N



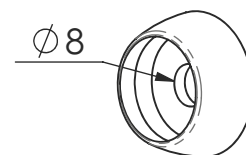
M10 310 N



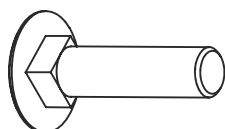
VBTR



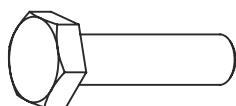
M8440N



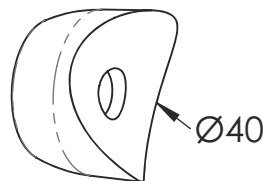
M8310N



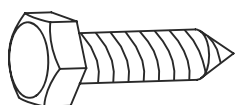
VTRCC



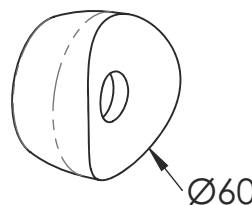
VTH



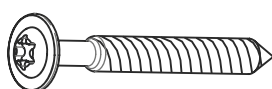
MI2503



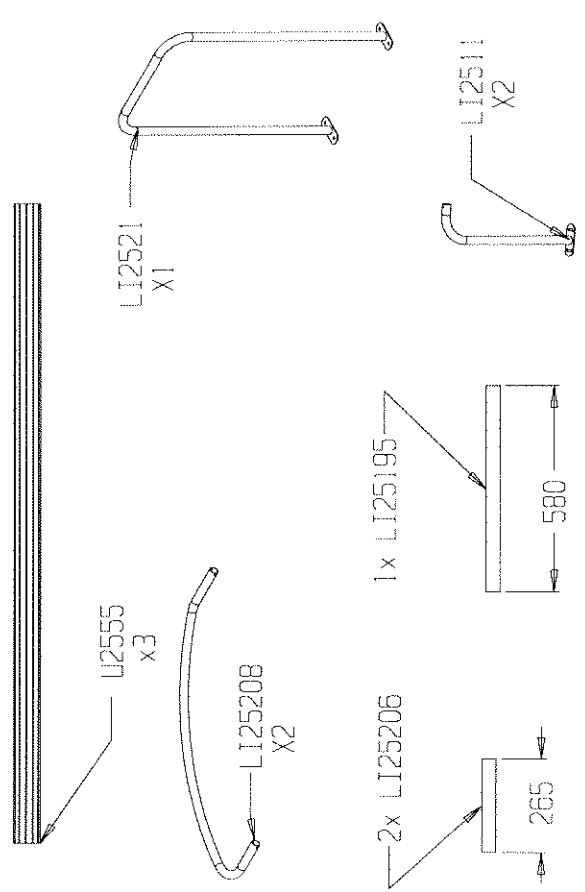
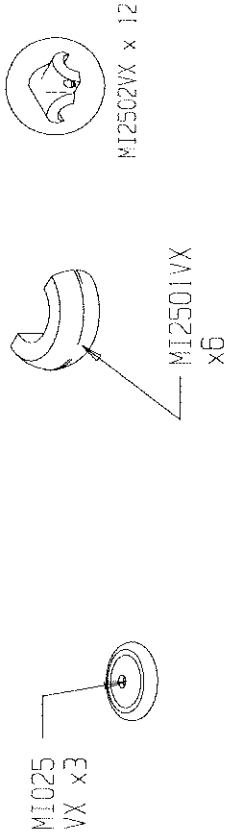
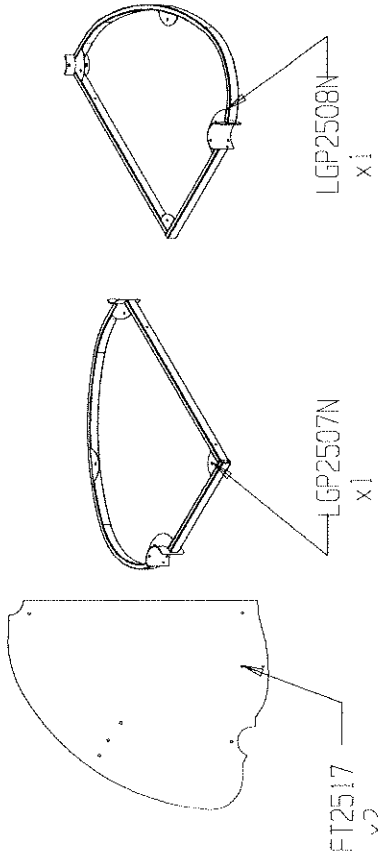
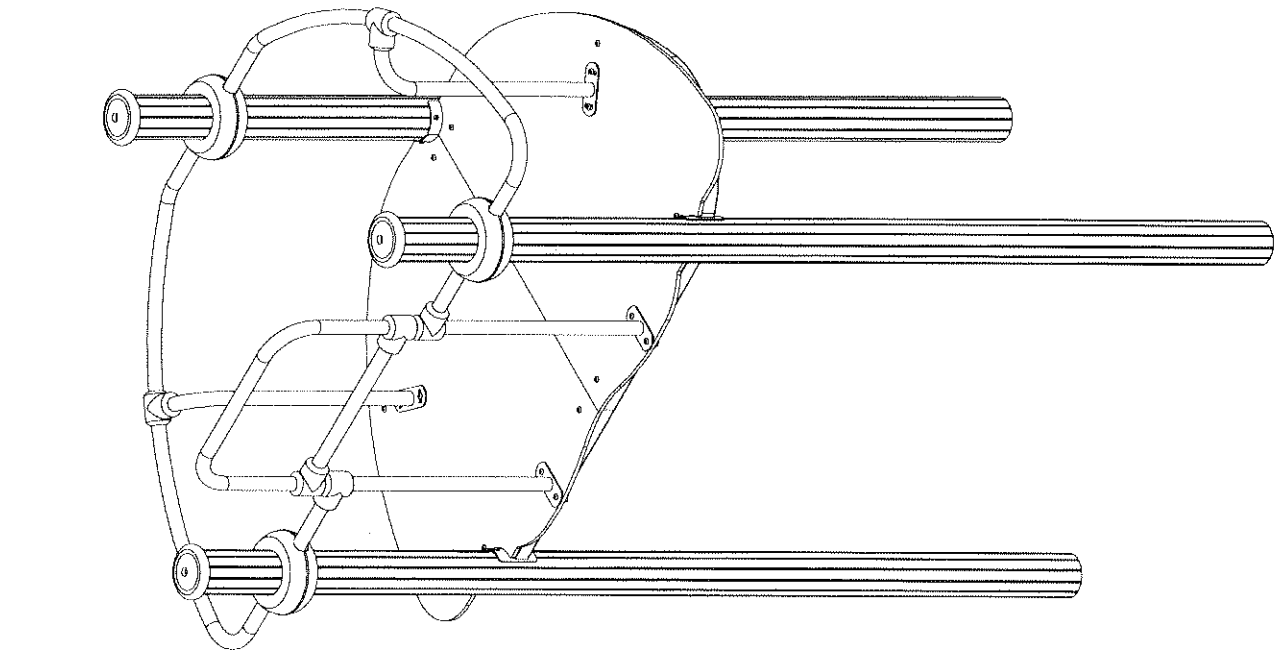
VTF

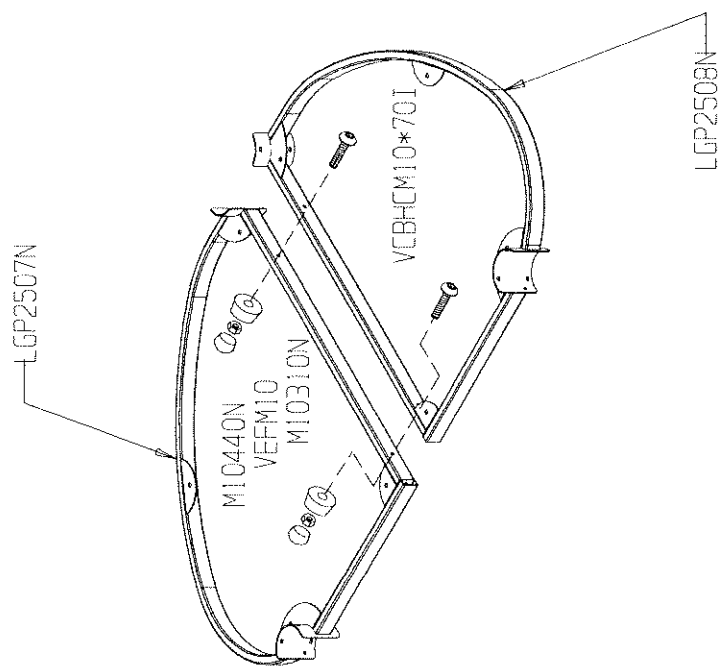


MI2701

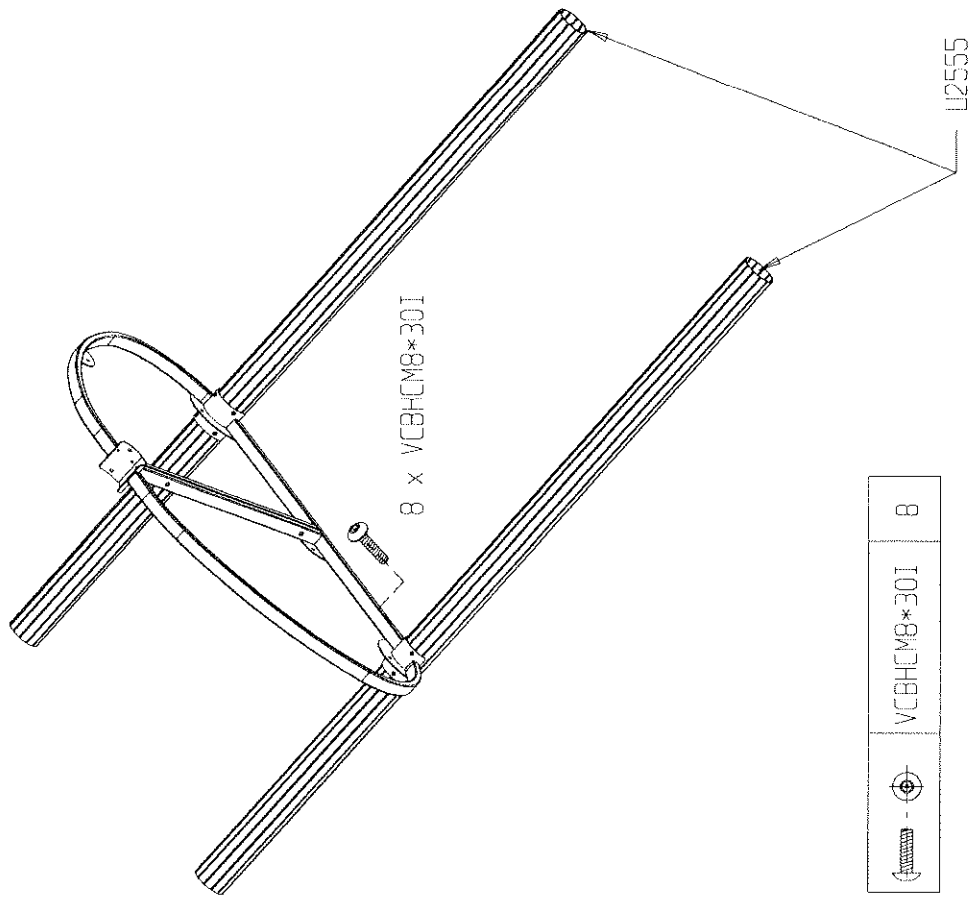


VBT





	M10310N	2
	M10440N	2
	VCBHCM10*70I	2
	VEFM10	2

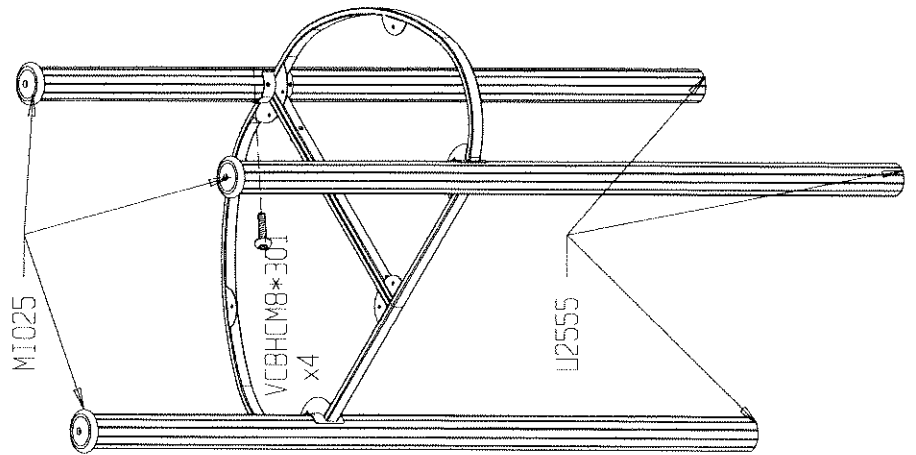
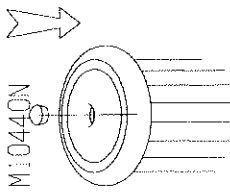
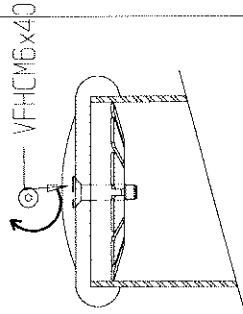
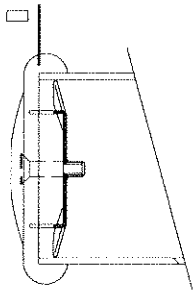
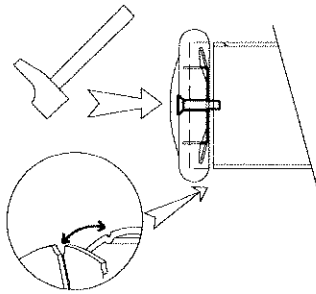
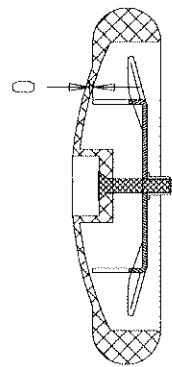
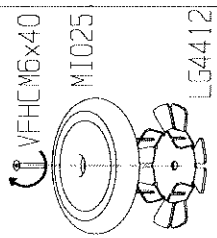


	VCBHCM8*30I	8
--	-------------	---

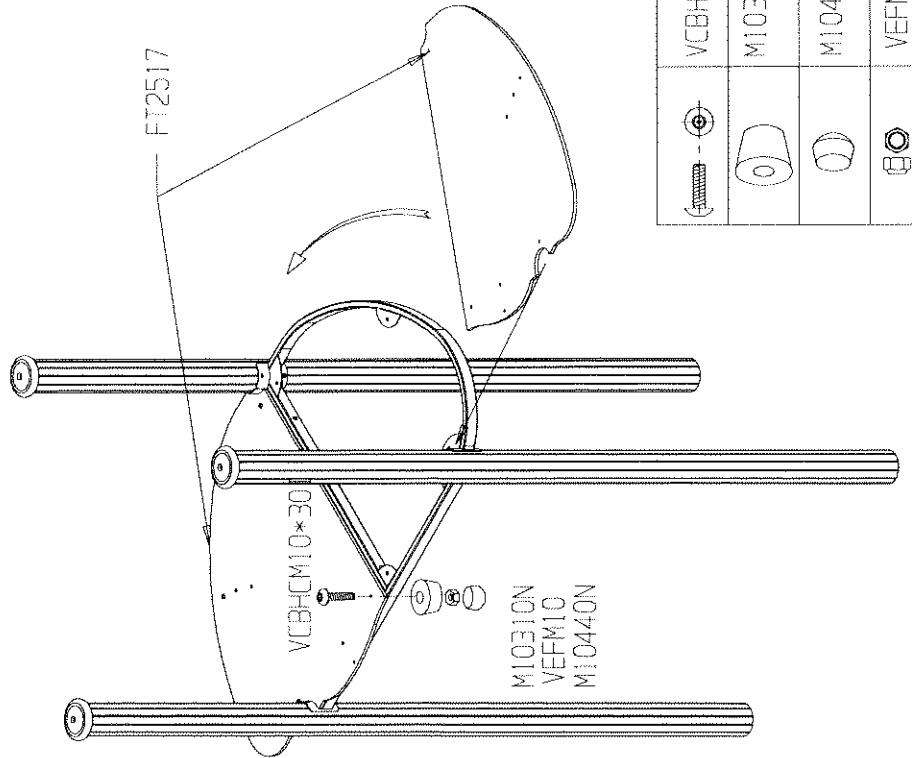
G2503M

3/5

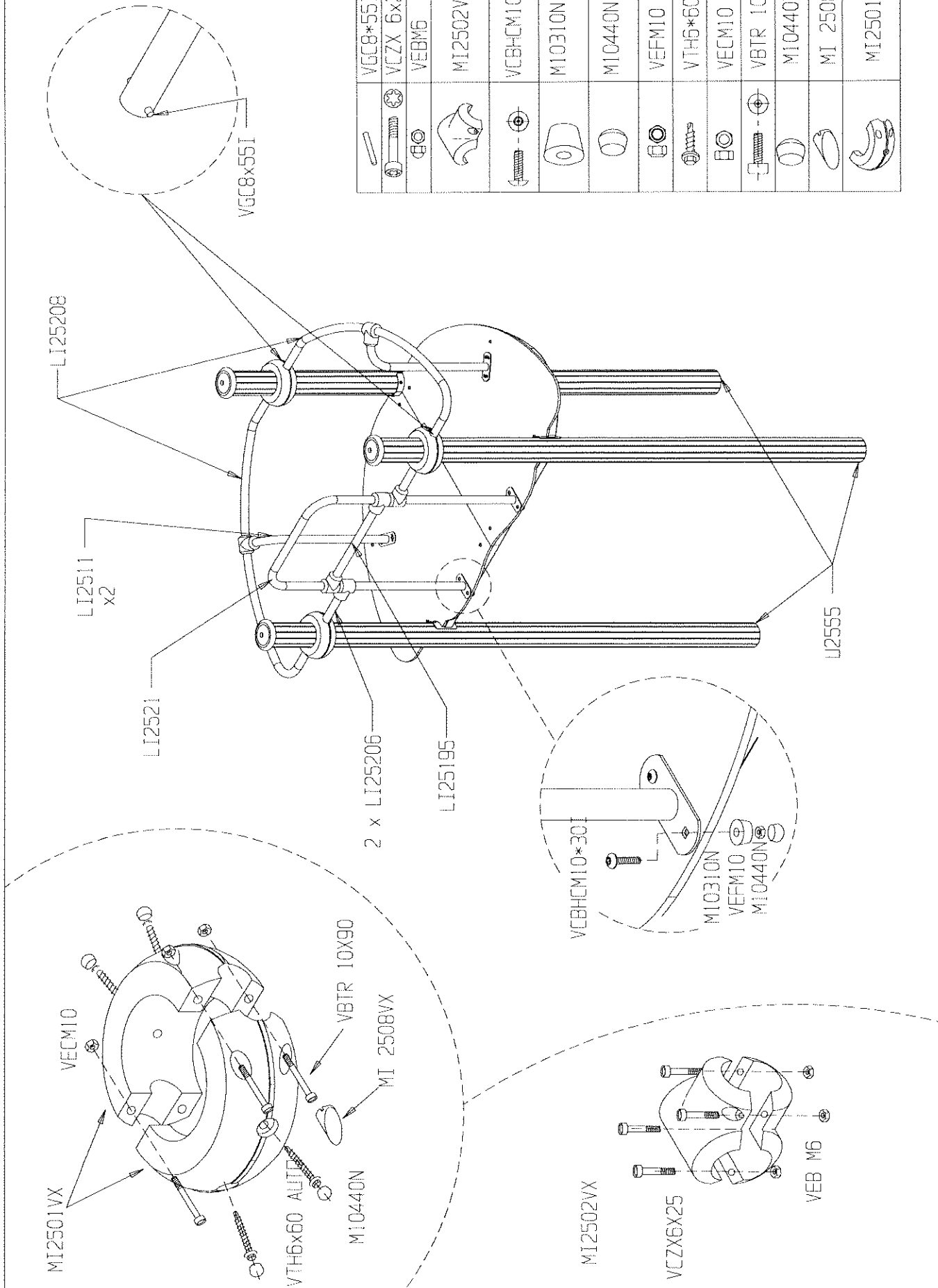
ProLudic



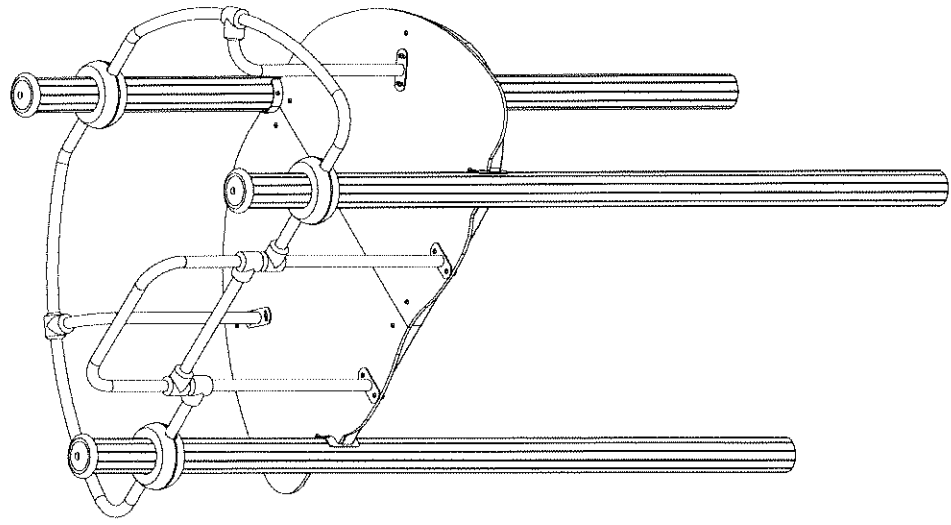
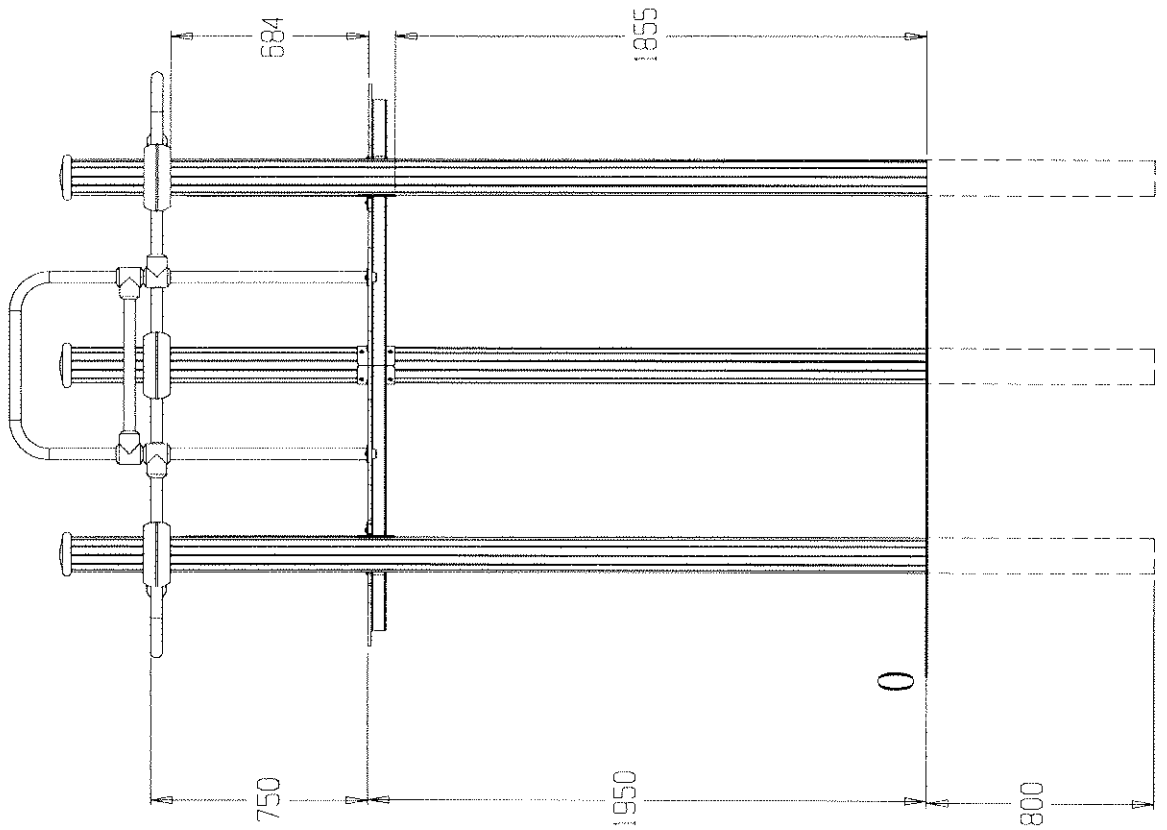
	VFHCM6x40	3
	MI 025VX	3
	MI0440N	3
	LG4412	3
	VCBHCM8*30I	4

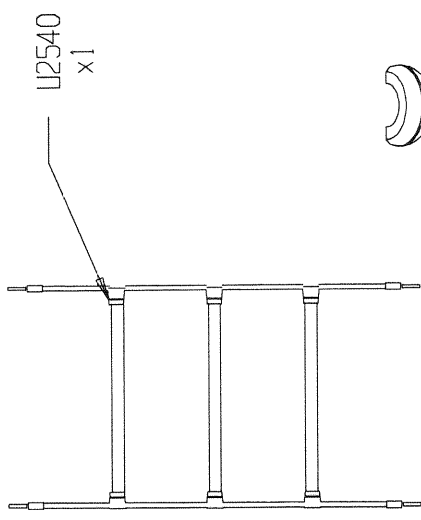
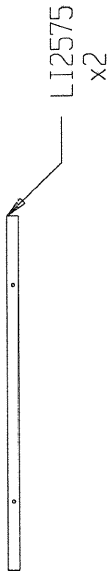
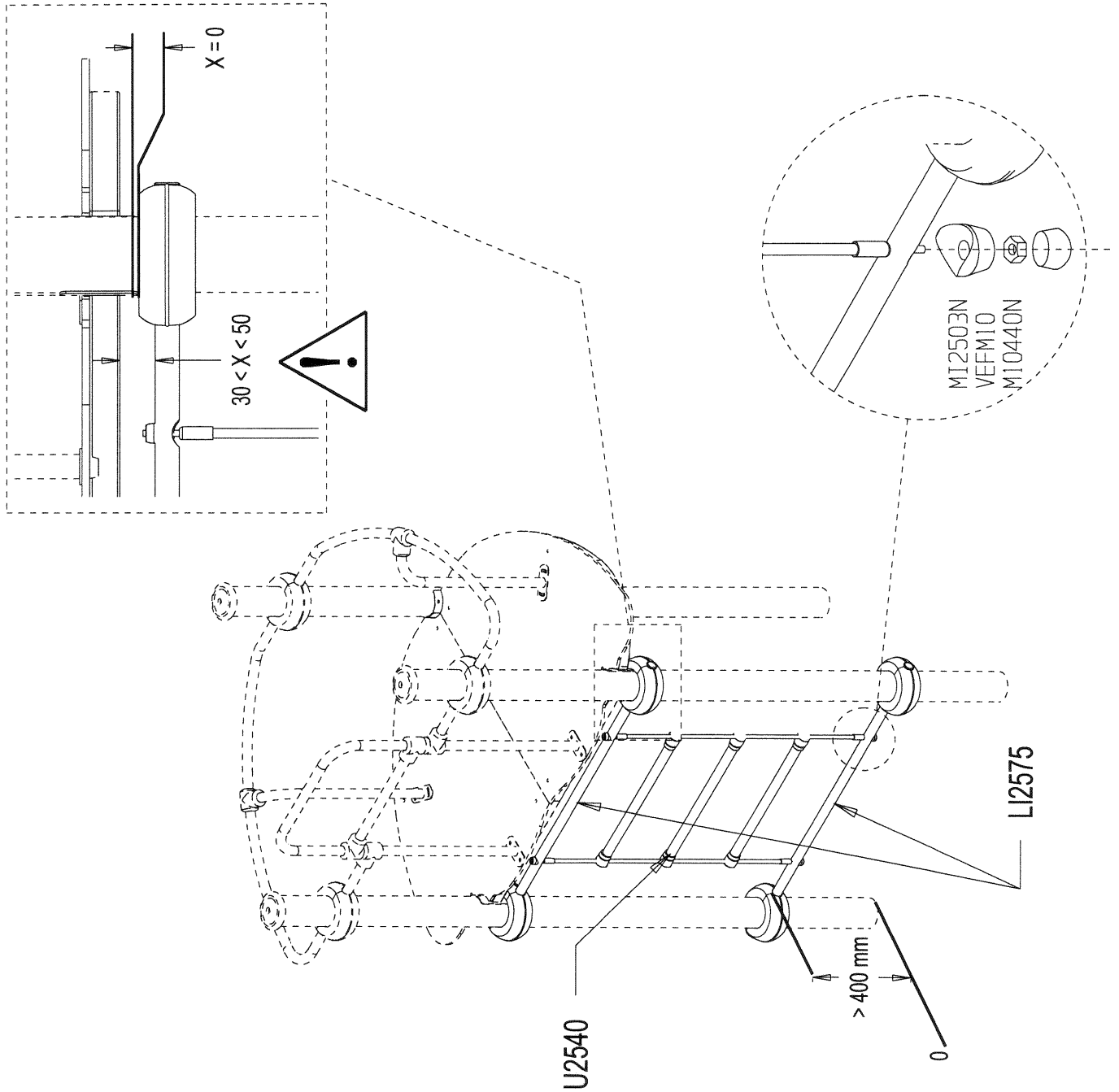


	VCBHCM10*30I	8
	MI0310N	8
	MI0440N	8
	VEFM10	8



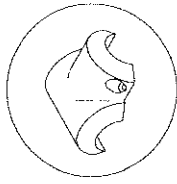
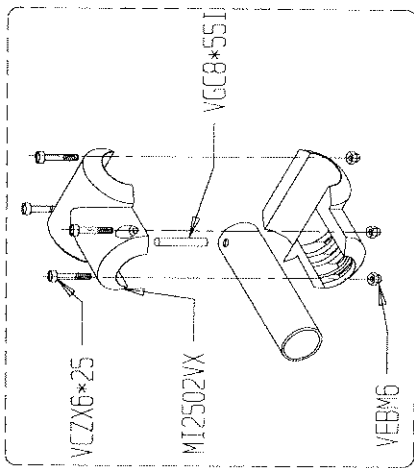
	VGC8*55T	4
	VCZX 6x25	24
	VEBM6	24
	MI2502VX	12
	VC8HC M10*30I	10
	M10310N	10
	M10440N	10
	VEFM10	10
	VTH6*60 ALUTE	12
	VECM10	12
	VBTR 10x90	12
	M10440N	12
	MI 2508VX	24
	MI2501VX	6





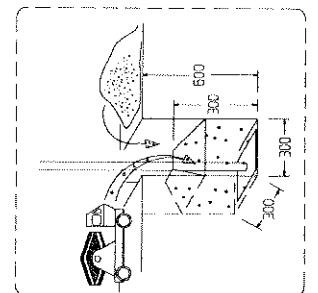
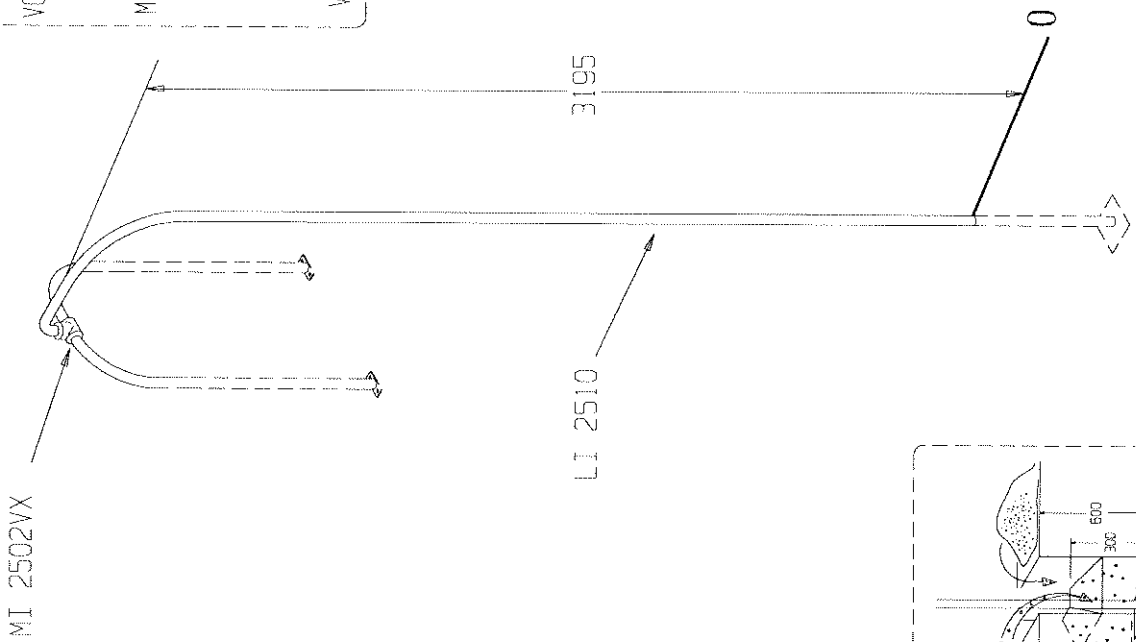
MI2501VX x 8

	VECM10	16
	VBTR 10x90	16
	VTH 6x60 AUTO	16
	MI2503 N	4
	M10440 N	20
	VEFM10	4
	MI 2508VX	32
	R 2502	4

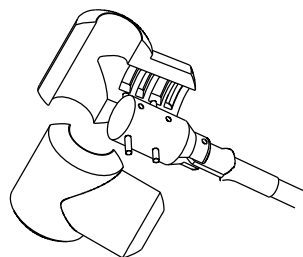
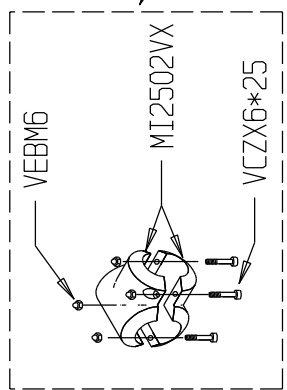


MI2502VX X 2

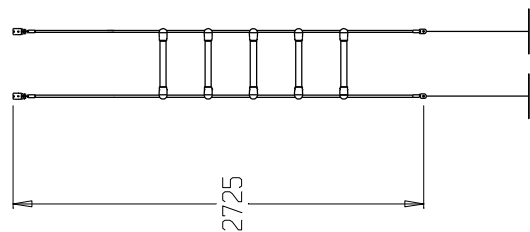
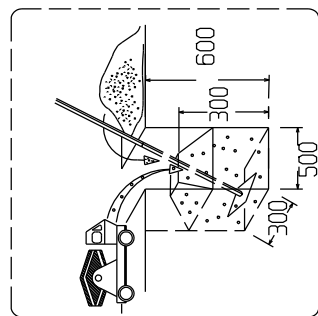
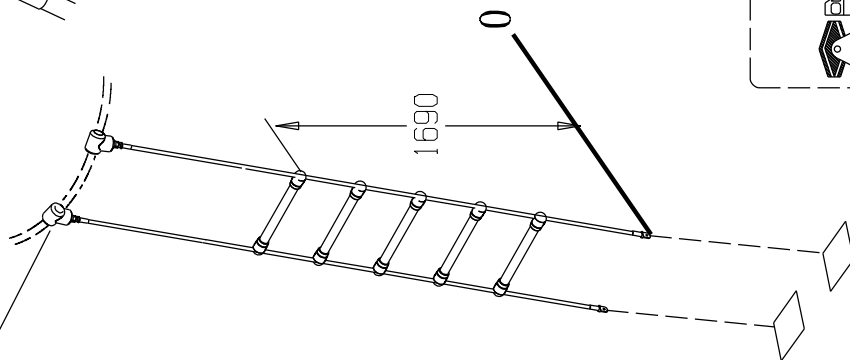
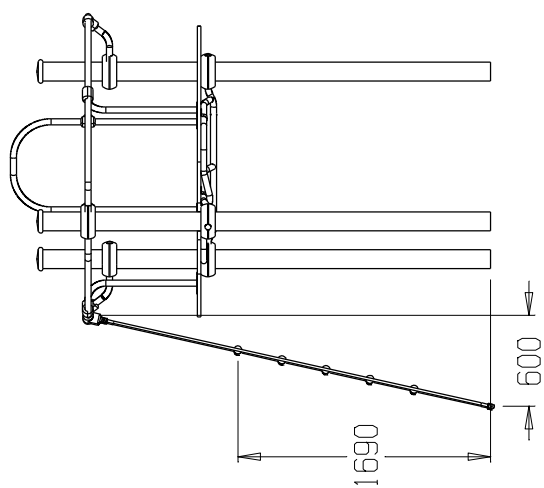
LI2510 X 1
Lg 3795



	VGC8*55I	1
	VGBM6*25	4
	VGBM6	4

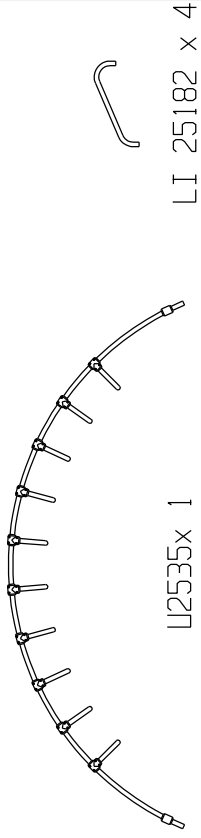
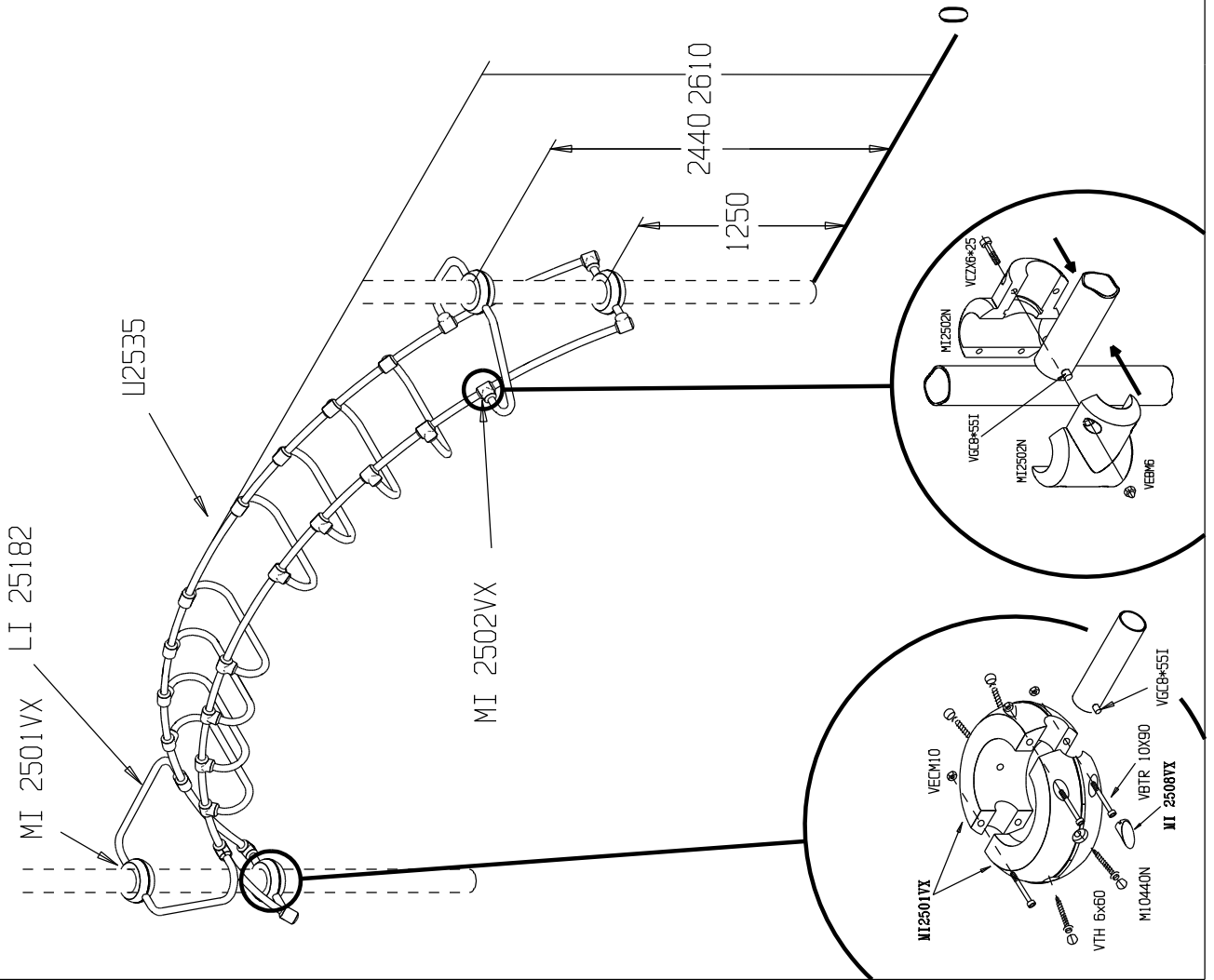


MI2502VX X 4



U2544x 1
Lg 2725

	VCZX 6x25	8
	VEBM6	8



MI2501VX x 8

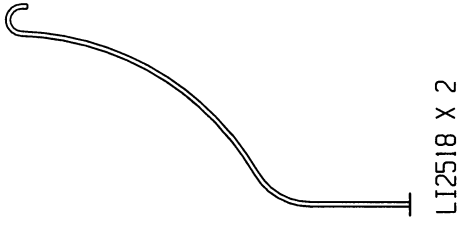
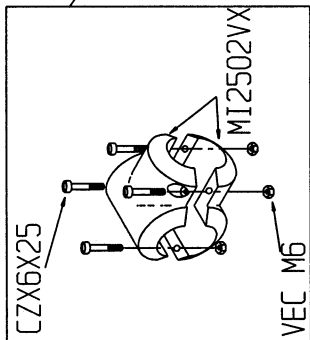
MI2502VX x 8

	VGCB*55I	12
	VTH6x60 AUTO	16
	VBTR 10x90	16
	VCZX 6x25	16
	MI10440N	16
	VECM10	16
	VEBM6	16
	MI 2508VX	32

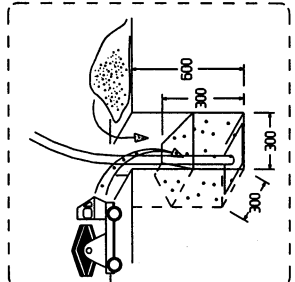
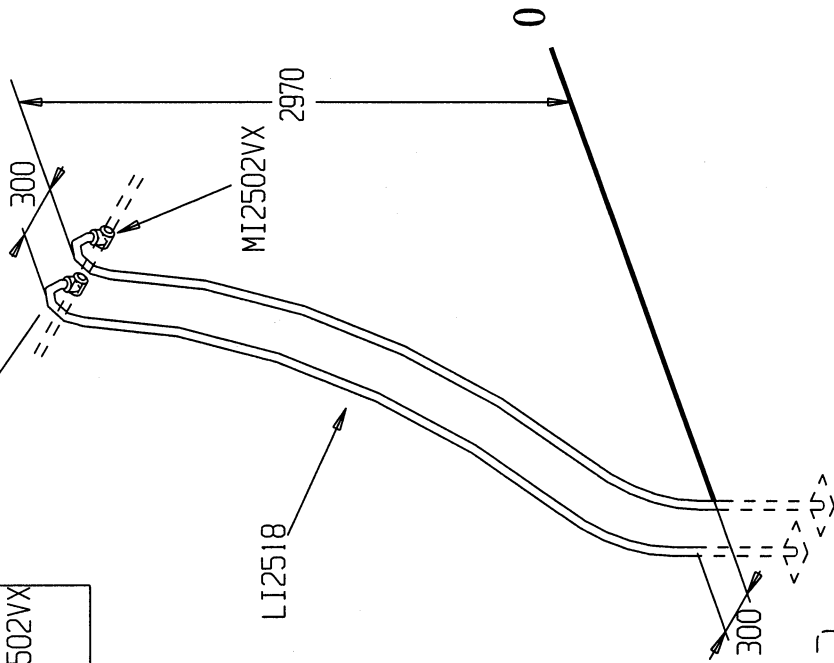
G 2527

Productie

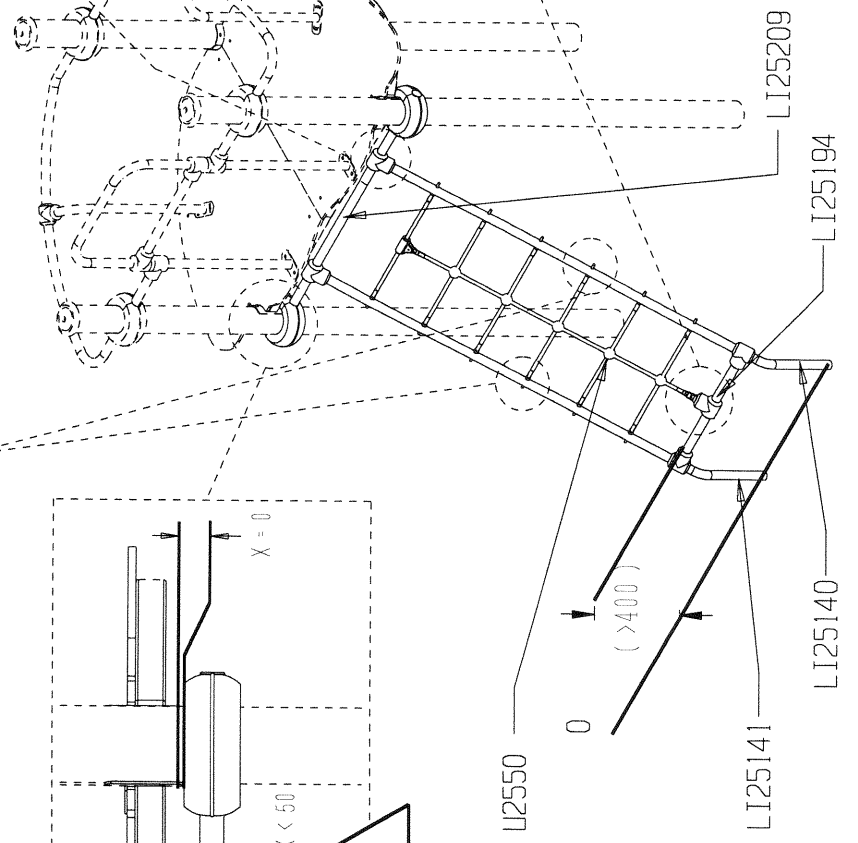
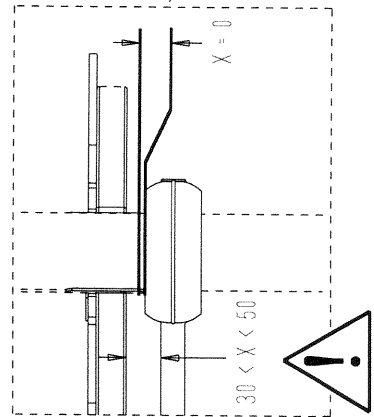
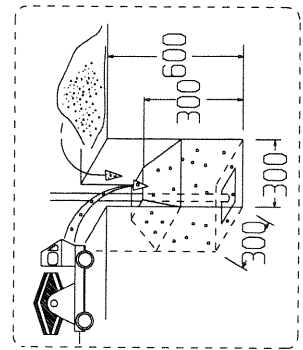
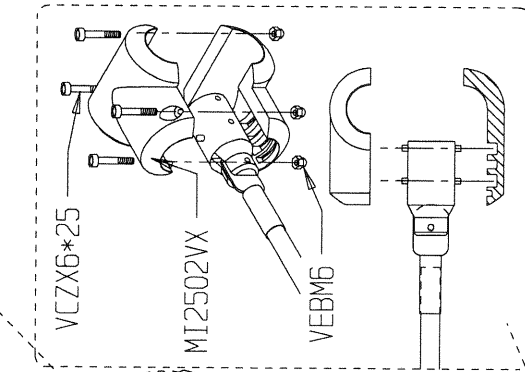
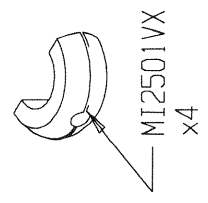
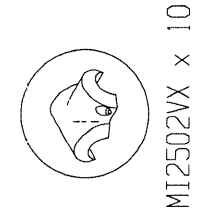
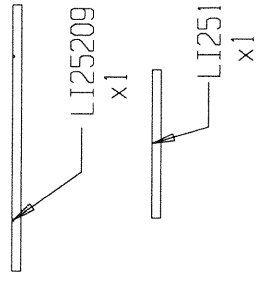
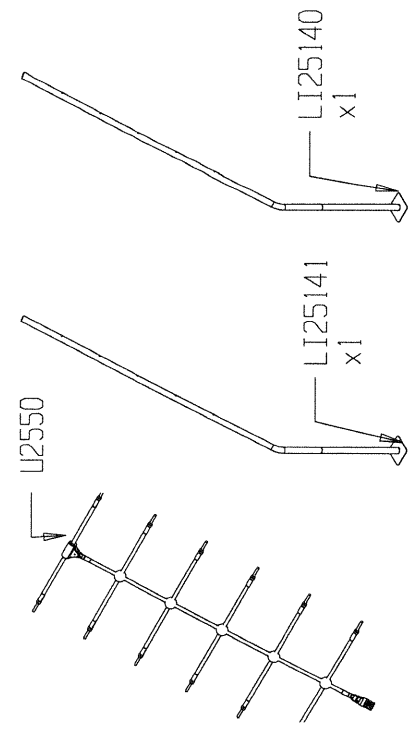
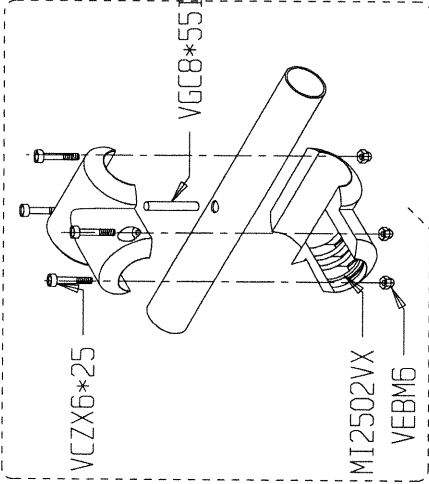
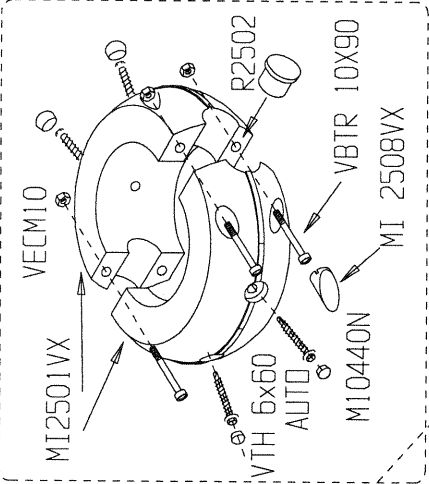
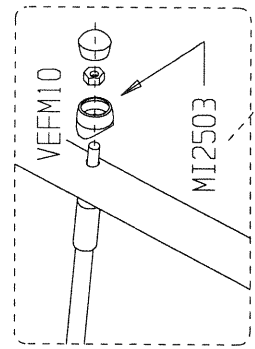
17-11-98



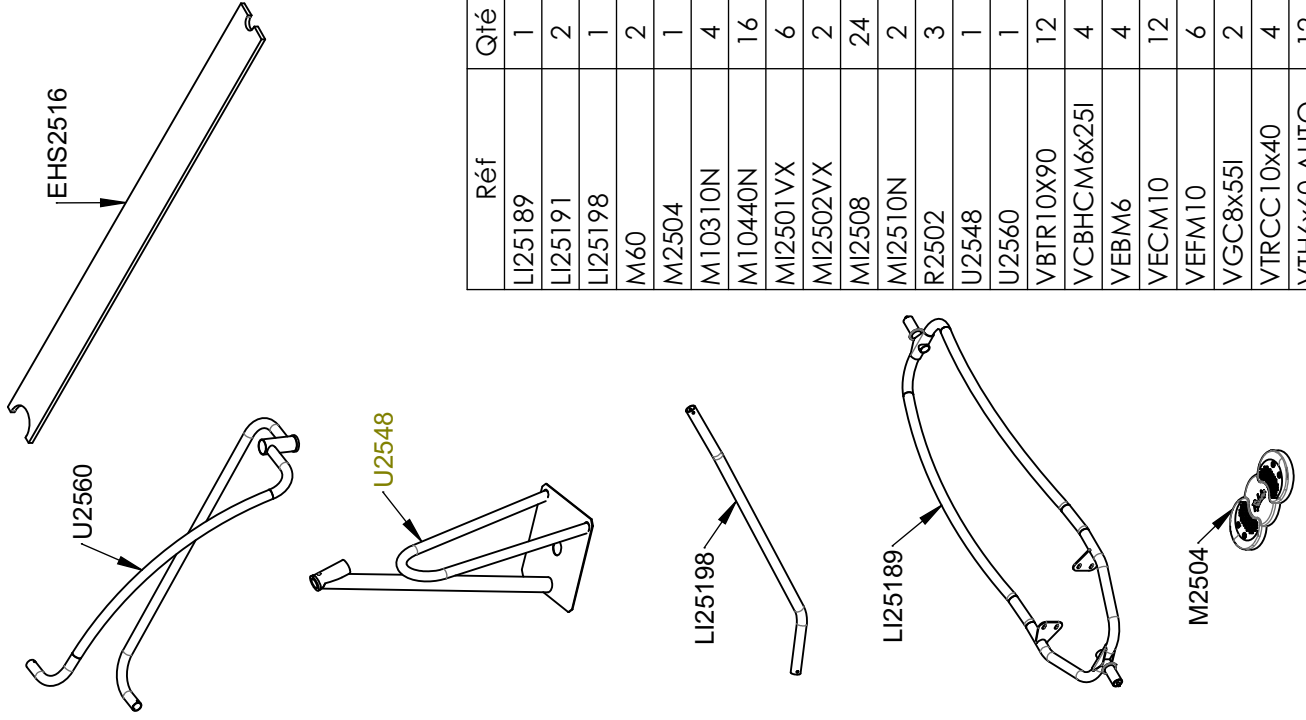
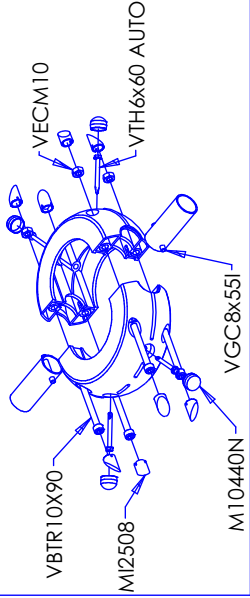
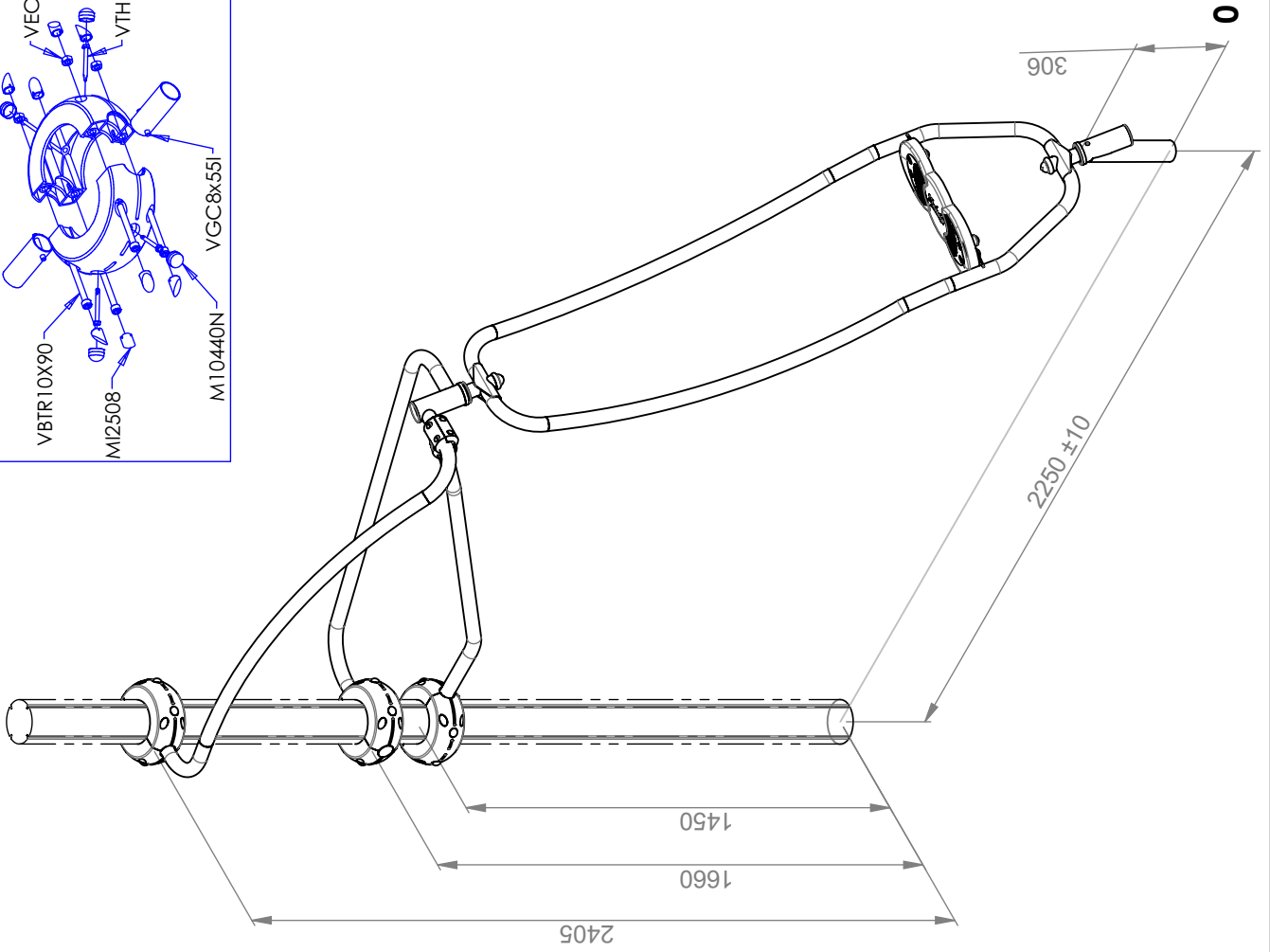
MI2502VX X 4



⊕	VECM6	8
⊕	VCZX 6x25	8



	R 2502	2
	VTH 6x60 AUTO	8
	VECM10	8
	VBTR 10x90	8
	M10440N	8
	MI 2508VX	16
	VGC8*55I	2
	VCZX 6x25	20
	VEBM6	20
	M10440 N	12
	MI2503N	12
	VEFM10	12

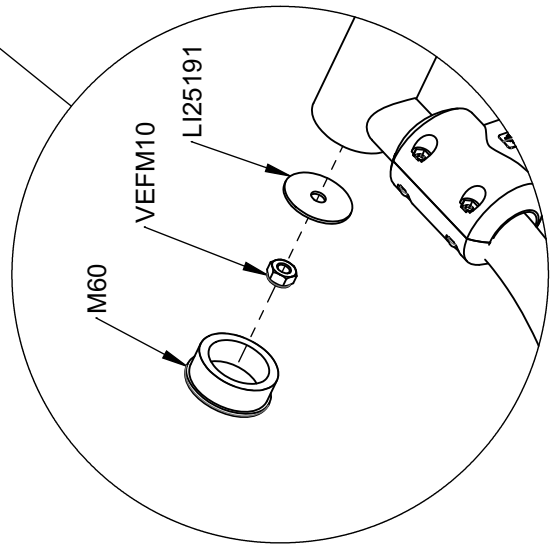
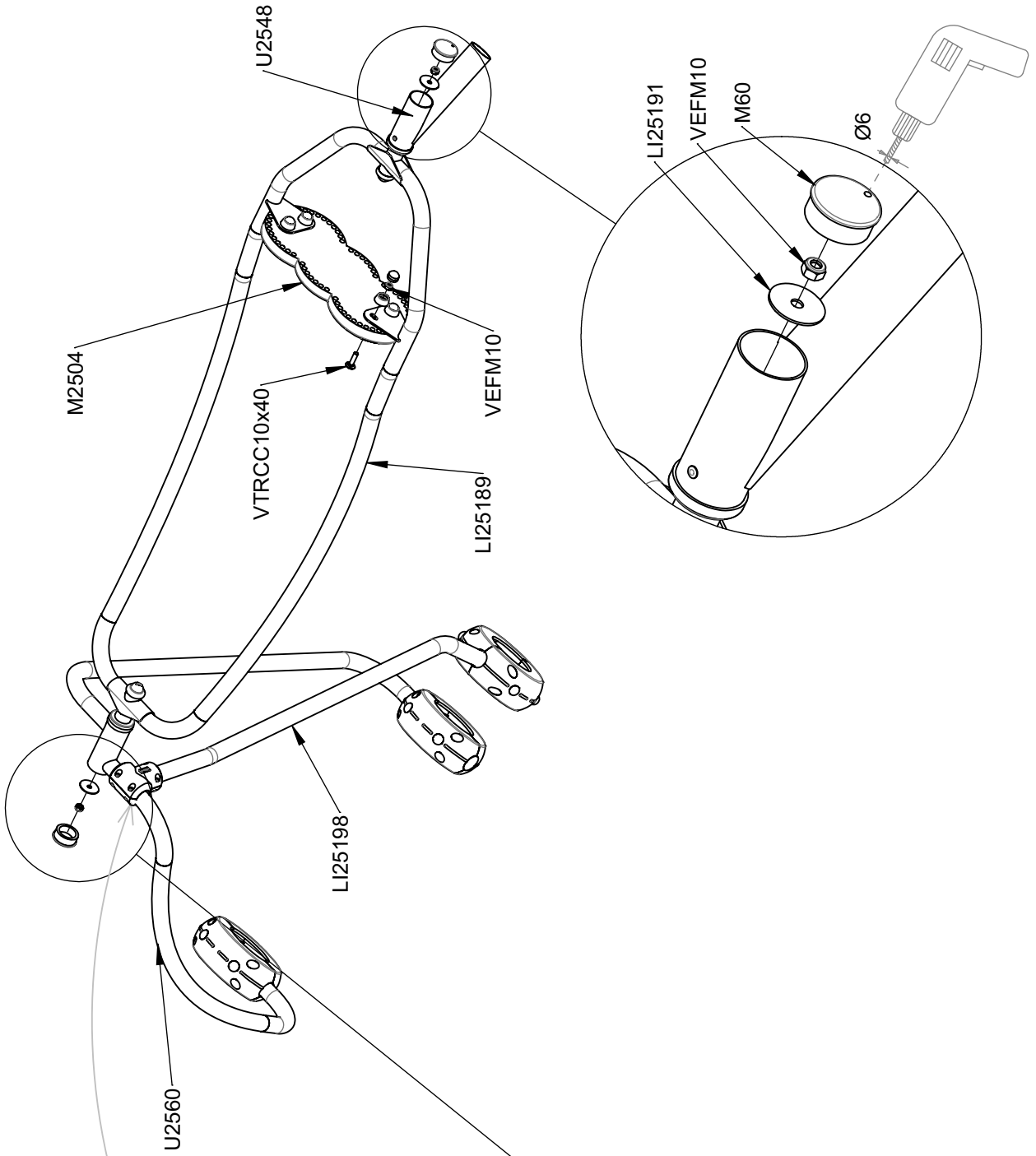
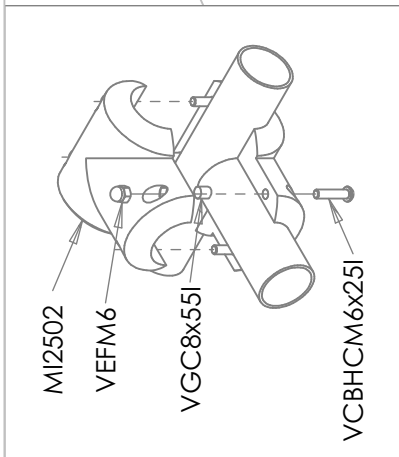


Réf	Qté
L125189	1
L125191	2
L125198	1
M60	2
M2504	1
M10310N	4
M10440N	16
M12501VX	6
M12502VX	2
M12508	24
M12510N	2
R2502	3
U2548	1
U2560	1
VBTR10X90	12
VCBHC6x25I	4
VEBM6	4
VECM10	12
VEFM10	6
VGC8x55I	2
VTRCC10x40	4
VTH6x60 AUTO	12

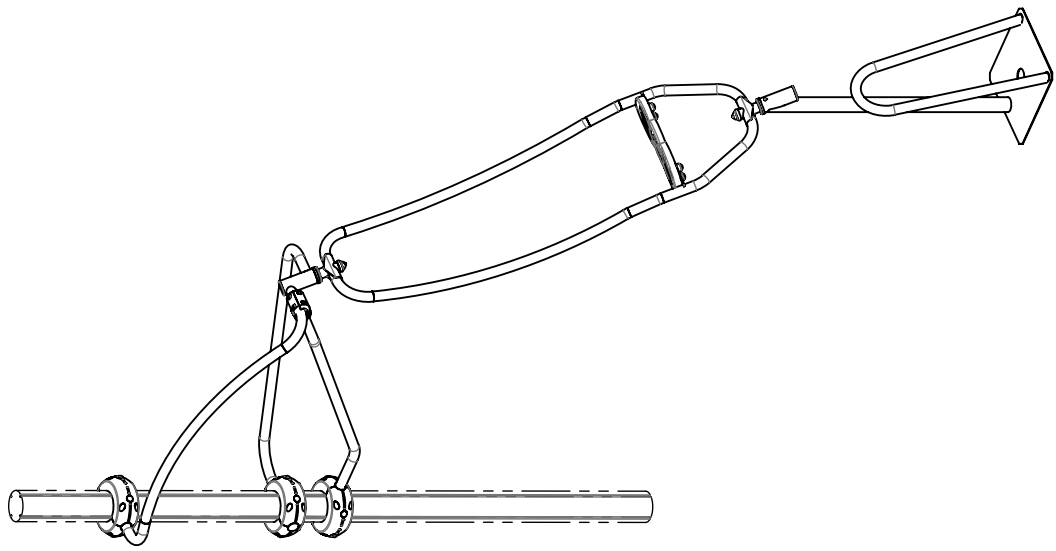
G2515M

2 / 3

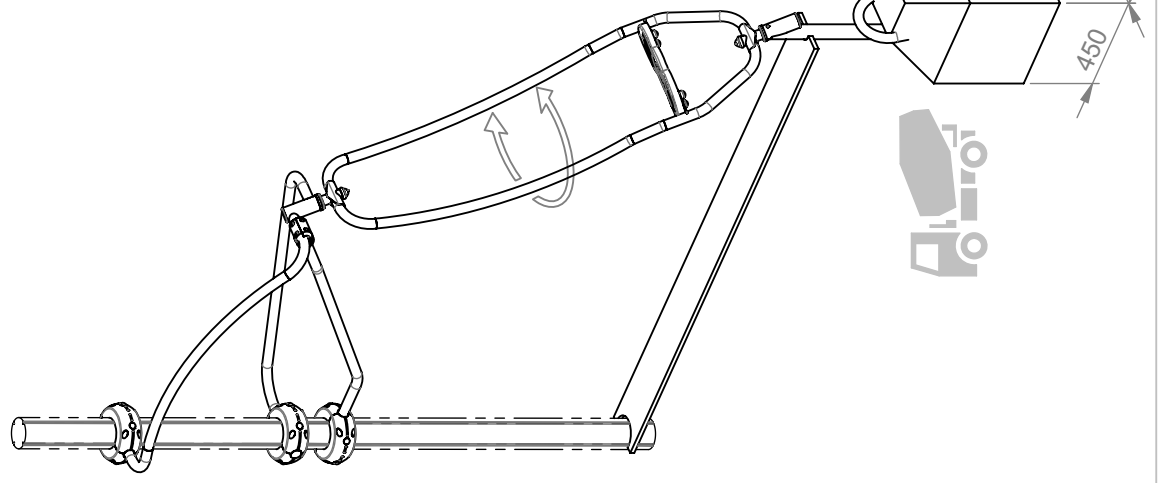
Prologic



①



②



③

