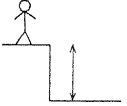
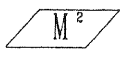


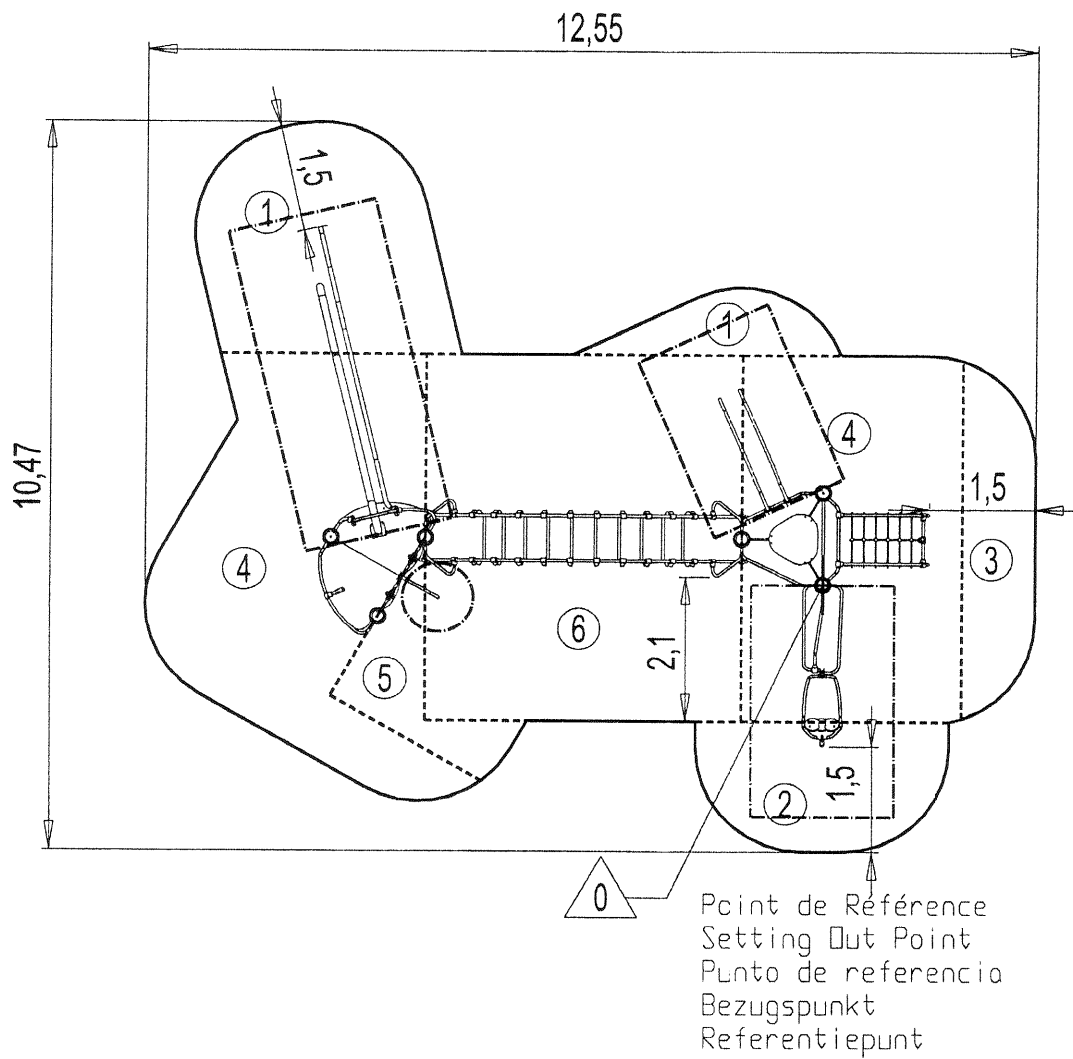
Proludic

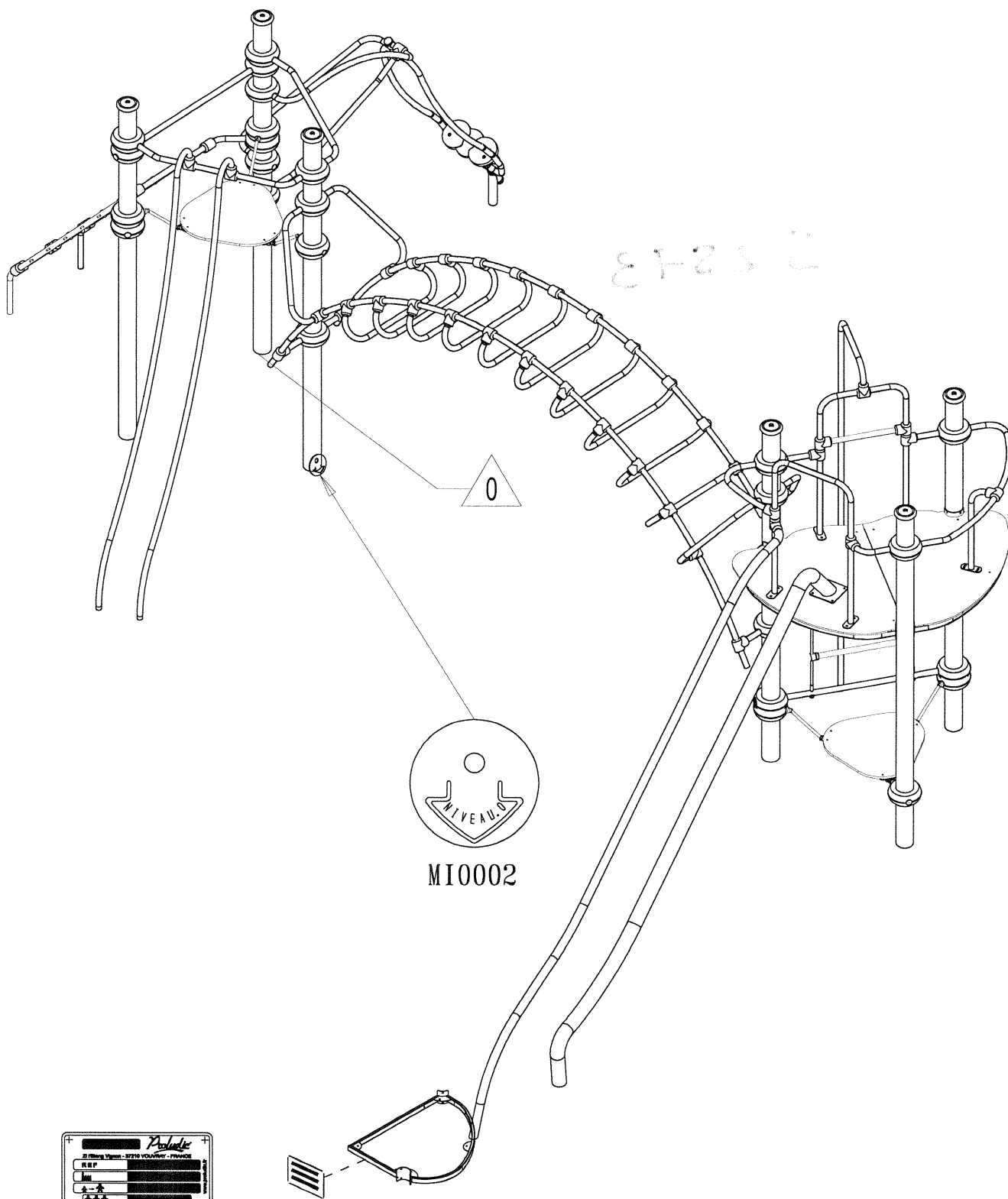
N°		
①	0.6 m	12.5 m ²
②	0.7 m	6 m ²
③	1 m	5 m ²
④	1.95 m	34 m ²
⑤	2.2 m	3 m ²
⑥	2.4 m	24 m ²

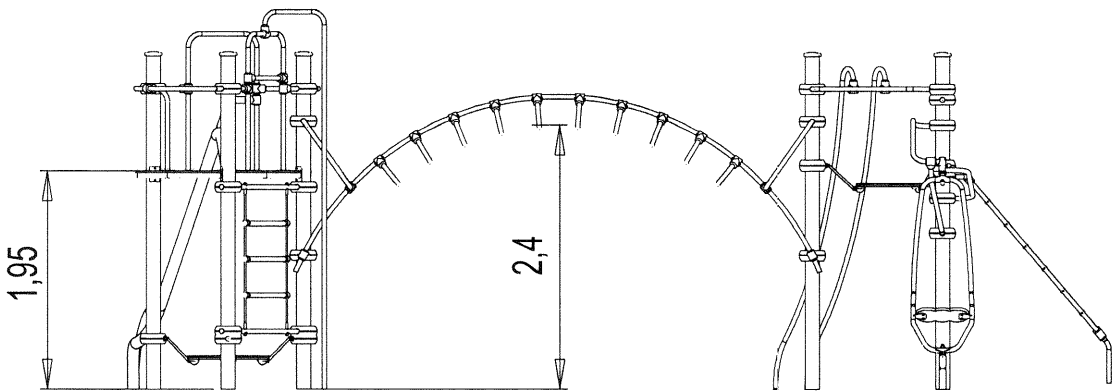
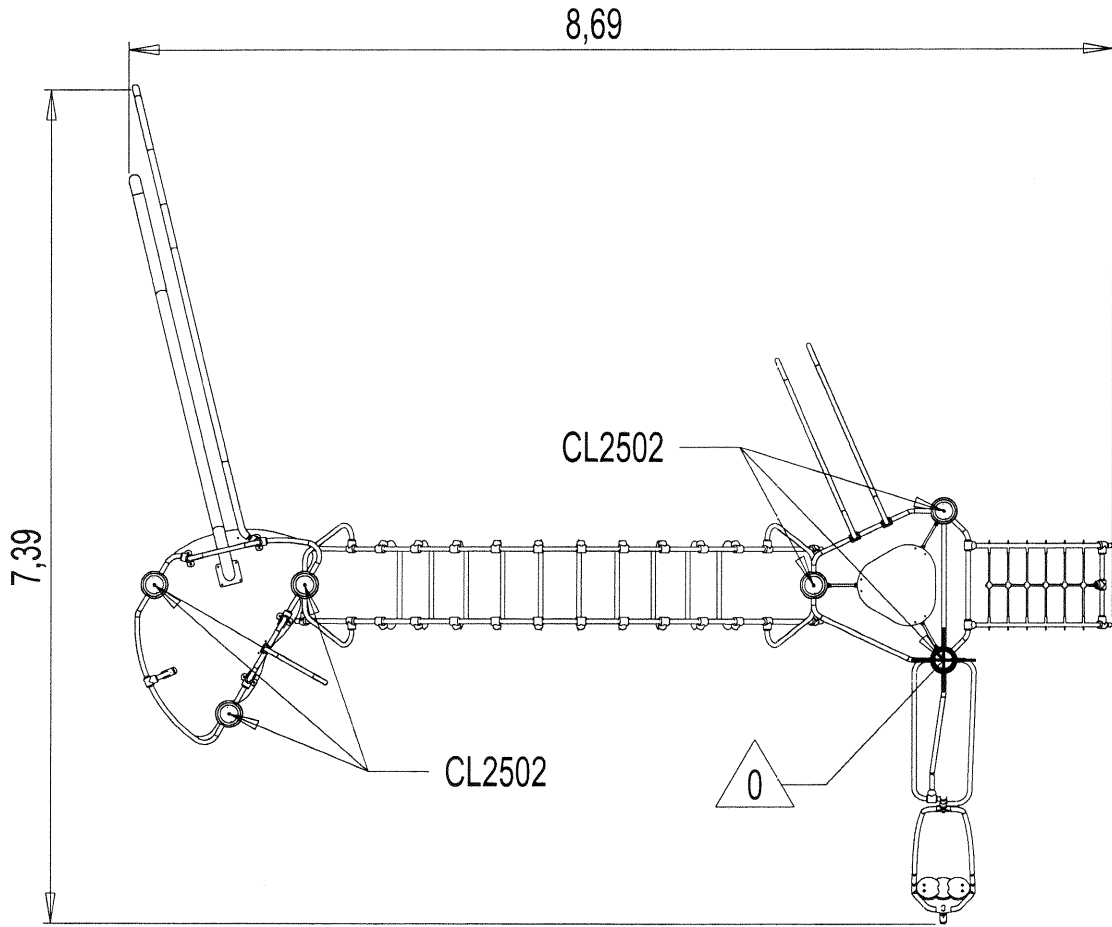
— Zone d'Impact
Impact Area
Area de Impacto
Fallraum
Valzone

EN1176-1 : 2017

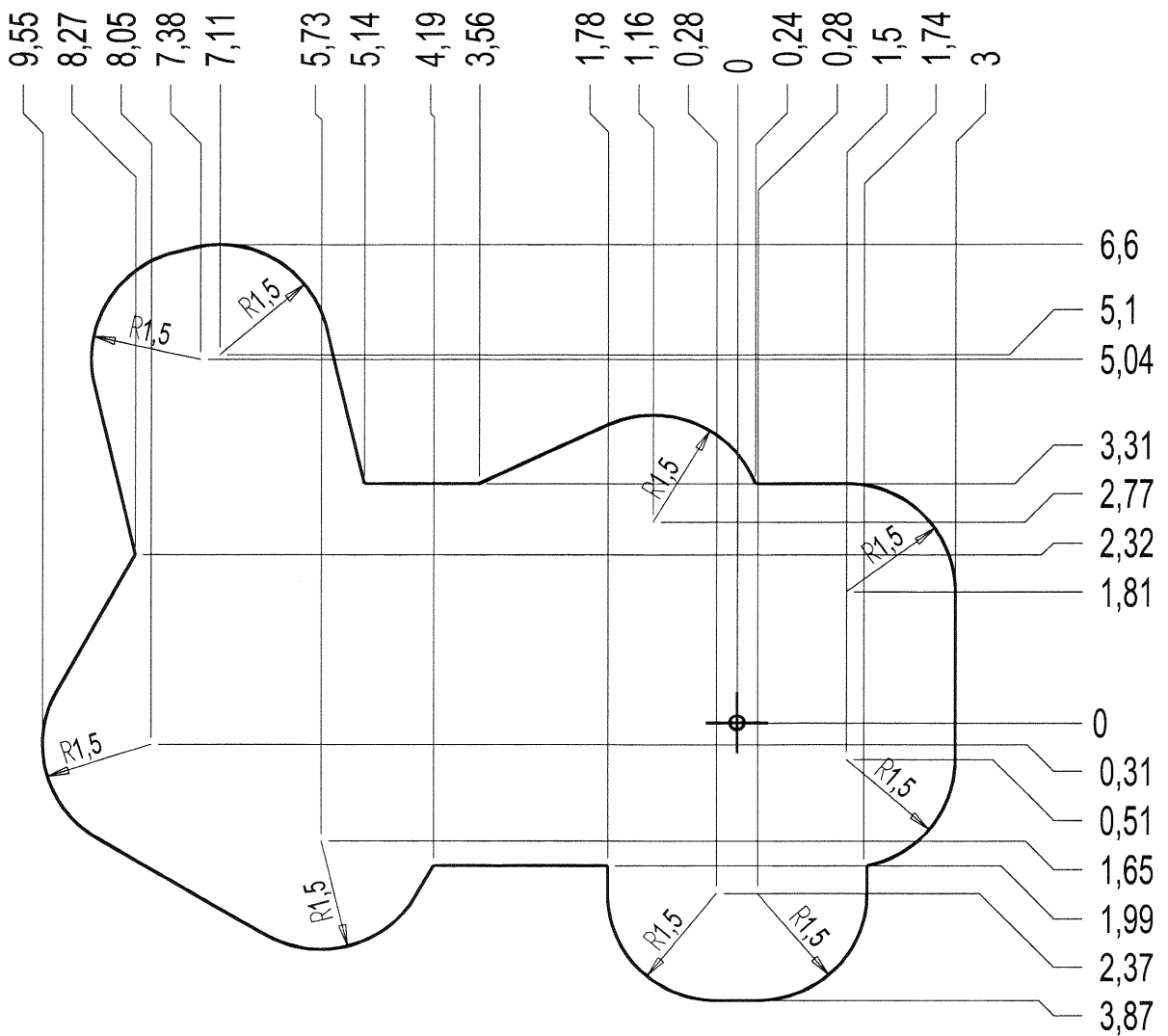
--- Espace libre
Free Space
Espacio Libre
Freiraum
Vrije ruimte



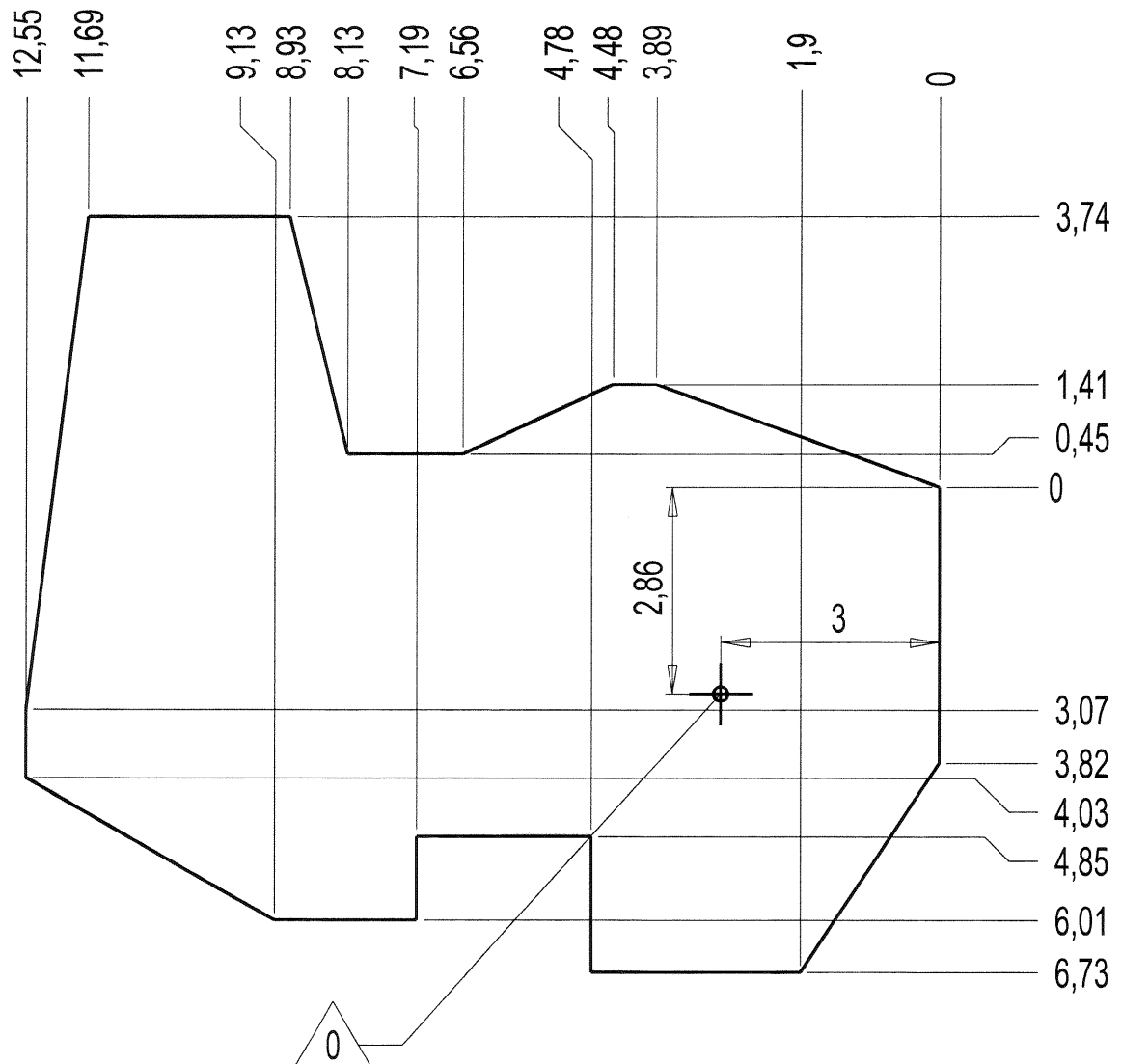




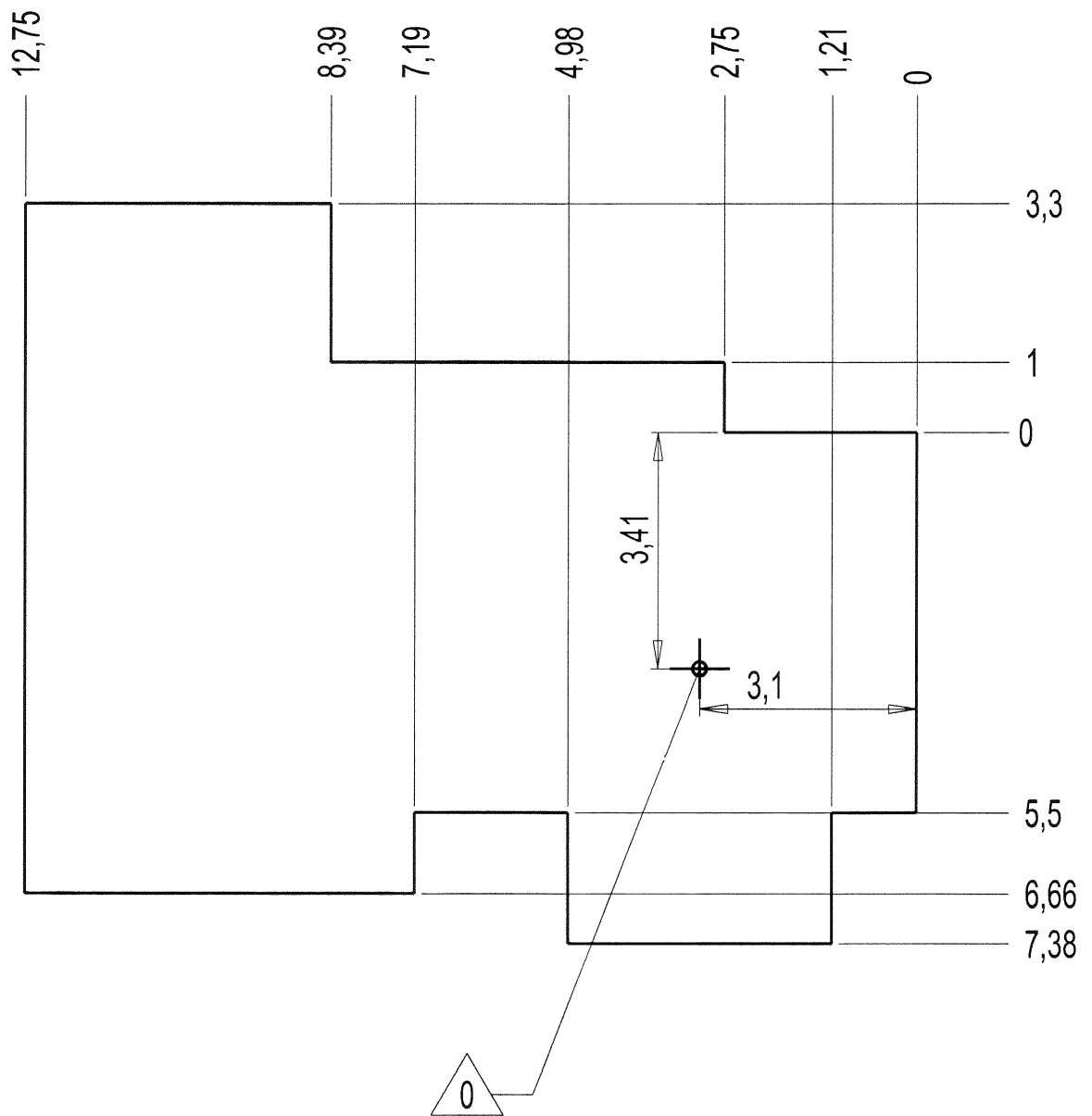
— Zone d'Impact **84.5 m²**
 Impact Area
 Area de Impacto
 Fallraum
 Valzone



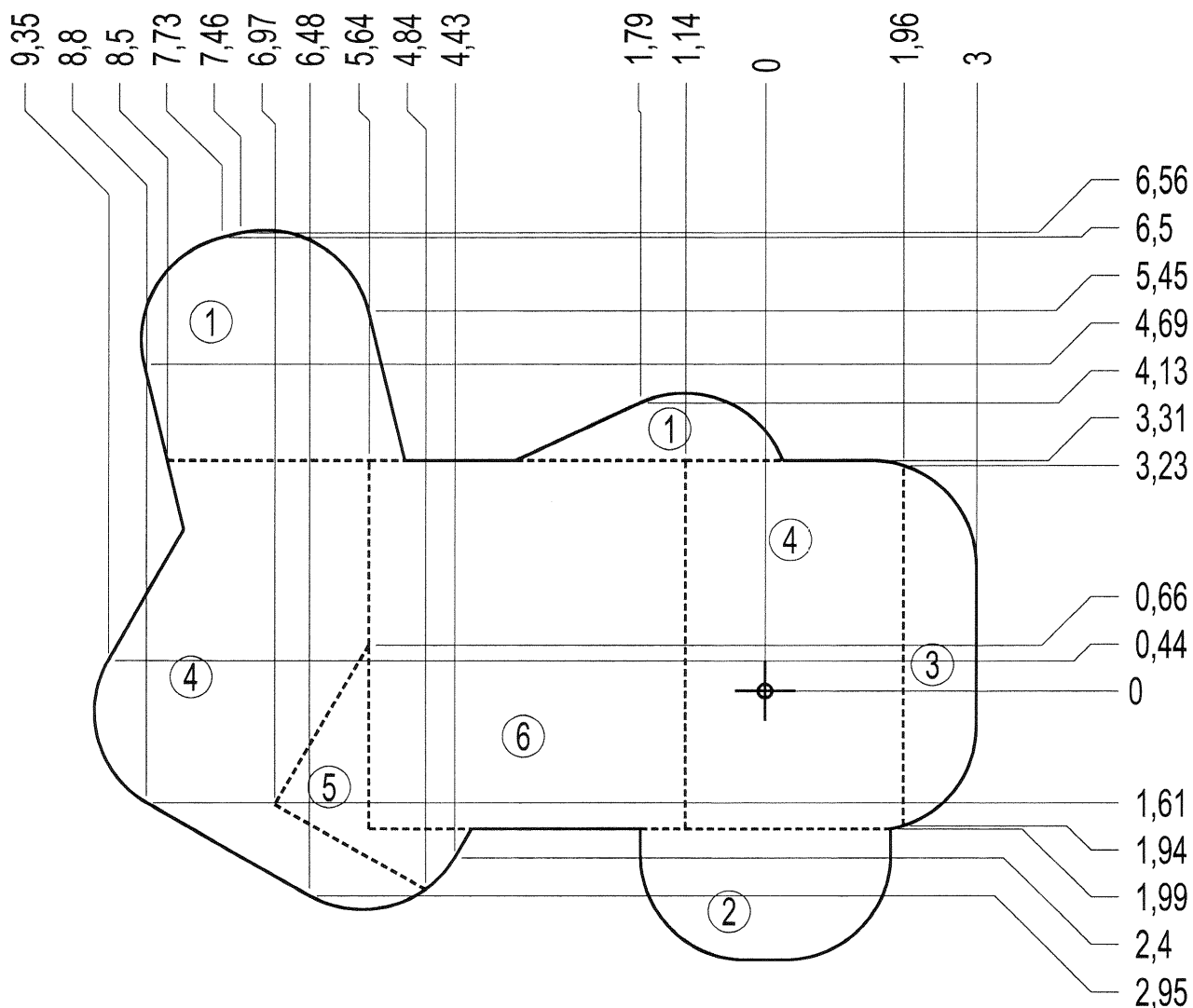
— Dalle béton 44 m
 Concrete pad 89 m²
 Solera de Hormigón
 Beton Bodenplatte
 Betonnen bodemplaat

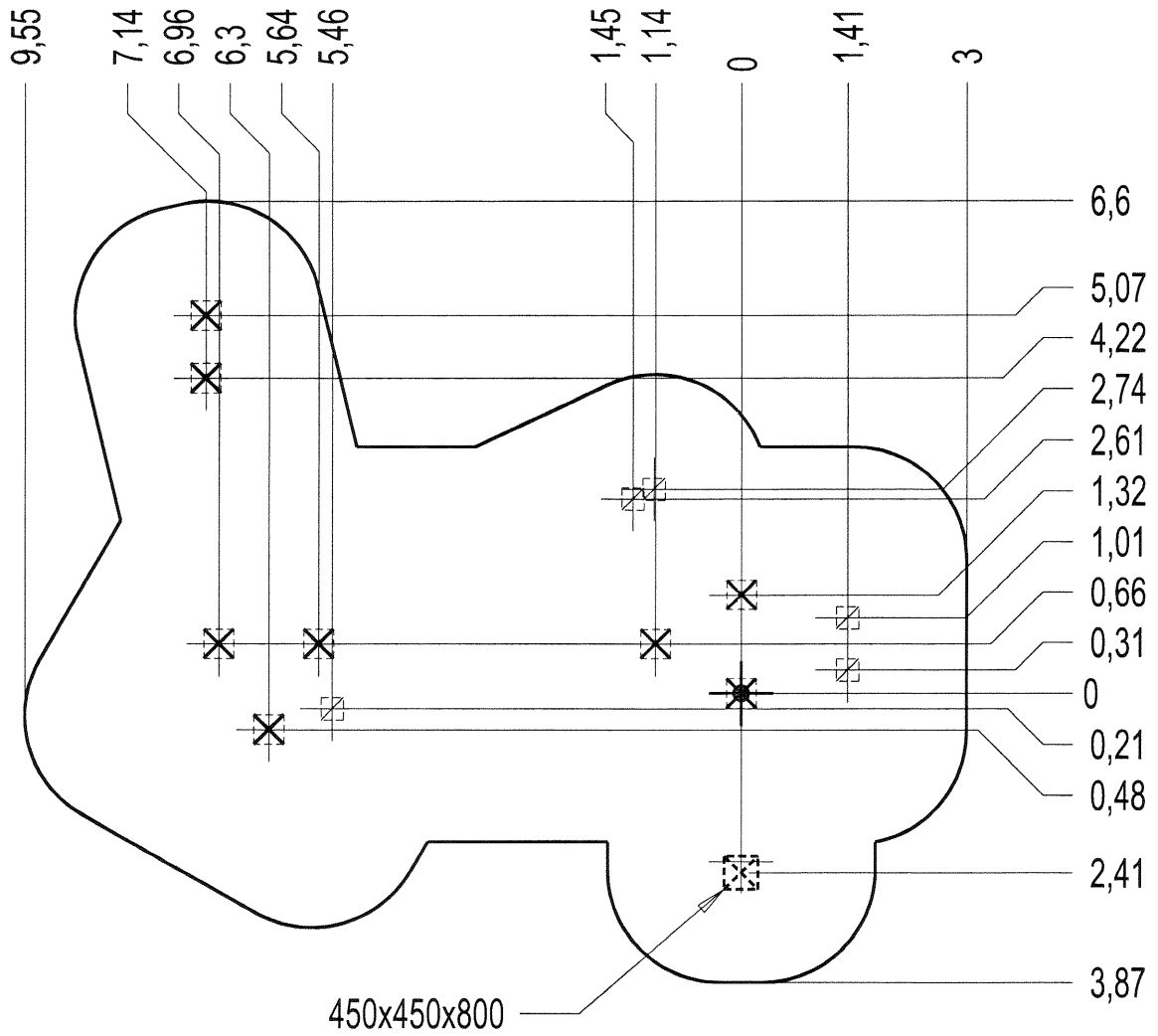


— Sol fluent 50 m
 Loose particle material 104 m²
 Arenero
 Loses Bodenmaterial
 Los bodenmaterial

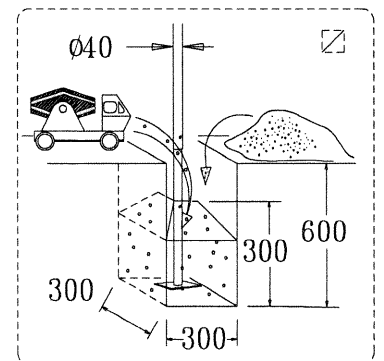
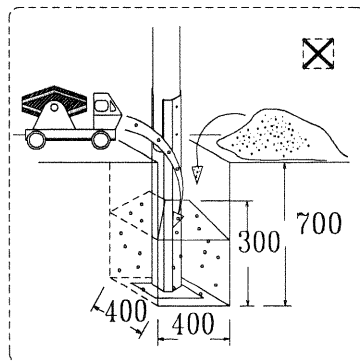





— Sol souple **84.5 m²**
 Wetpour
 Caucho Continuo
 Synthetischer Fallschutz
 Gietvloer



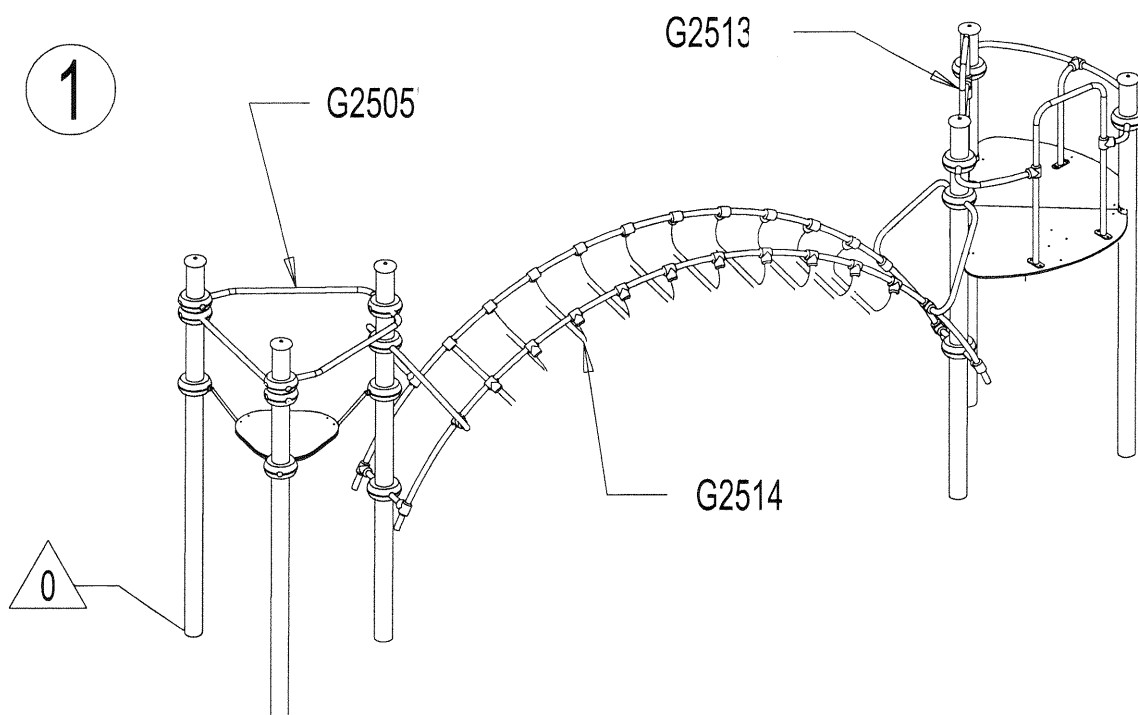


Implantation
 Footing plan
 Implantación
 Fundamentplan
 Funderingstekening

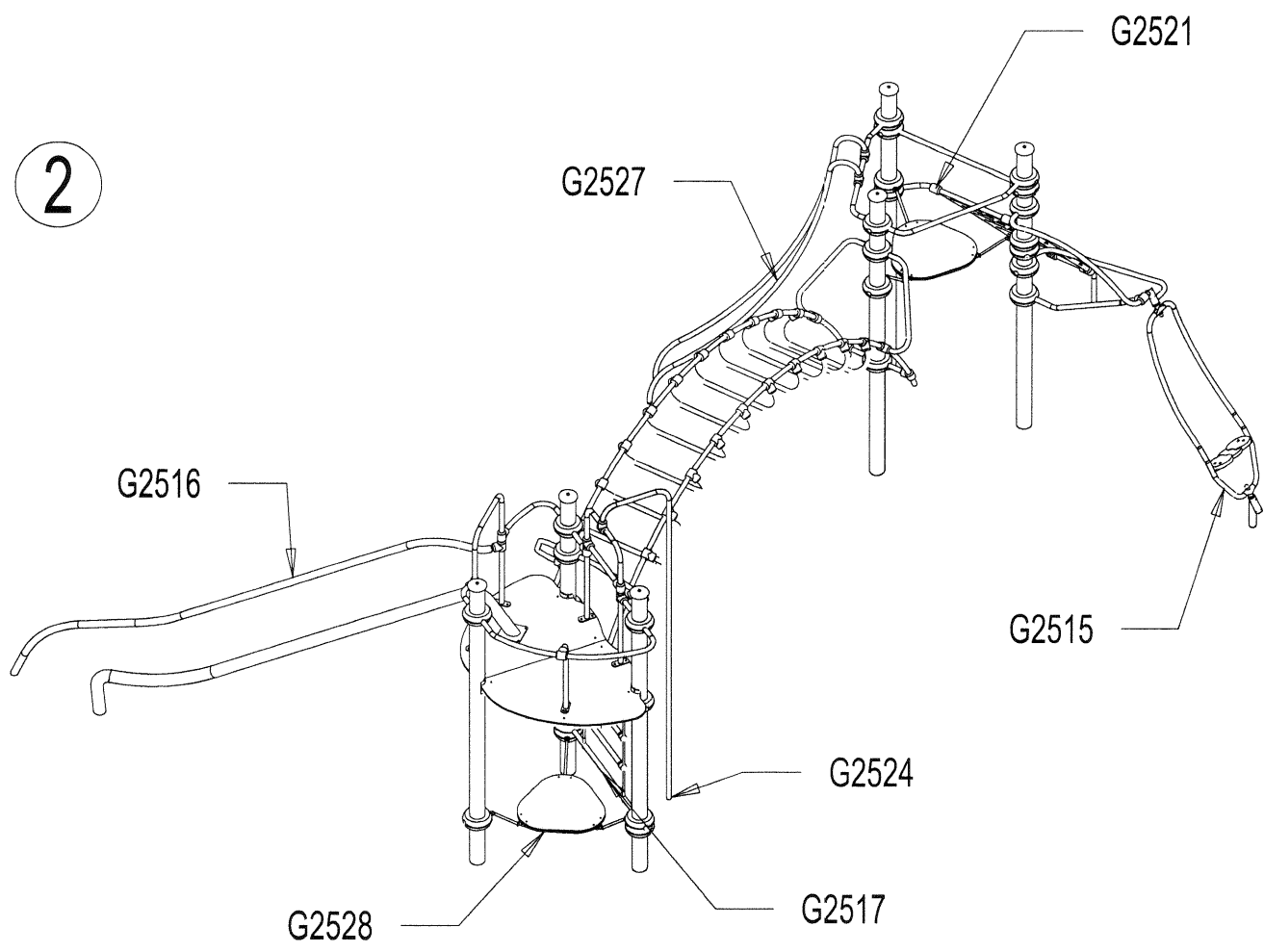


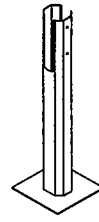
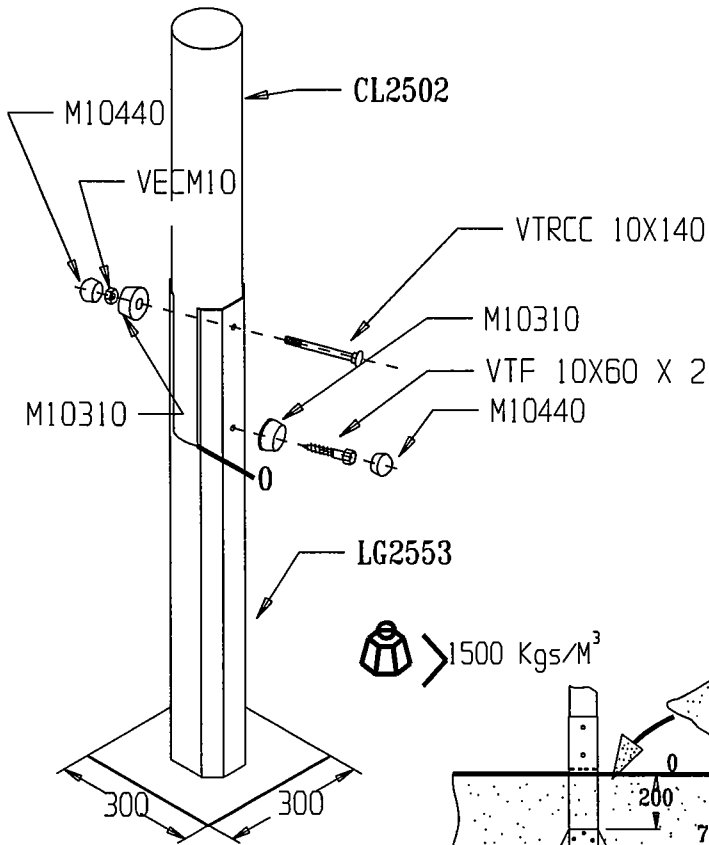
 x2	 20H	 0.6m ³
---	---	---

1



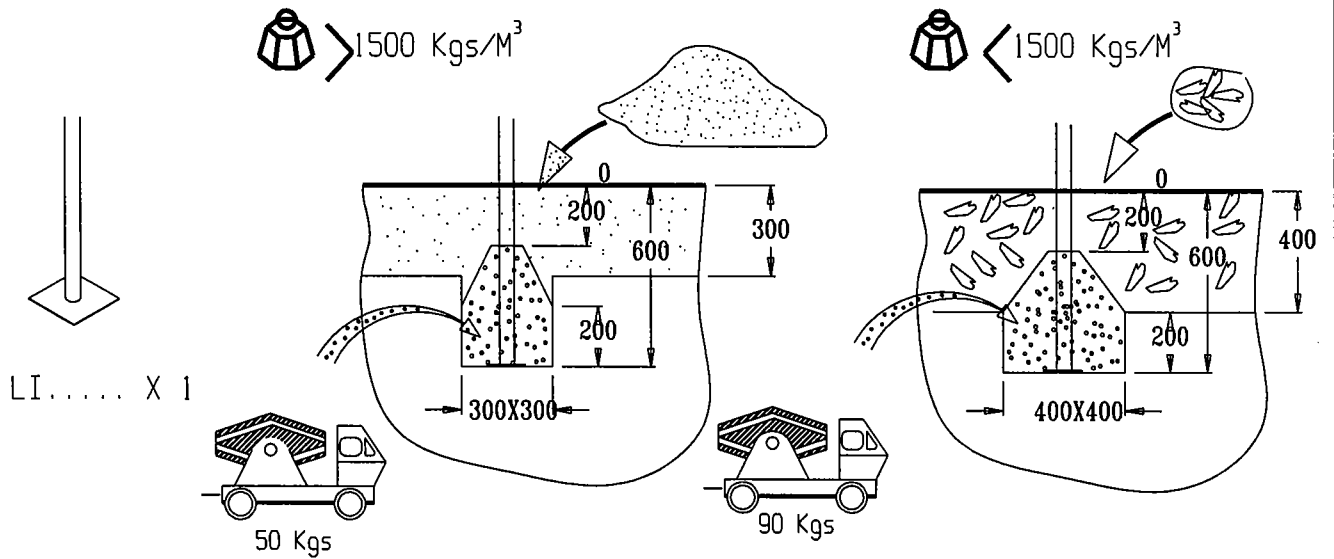
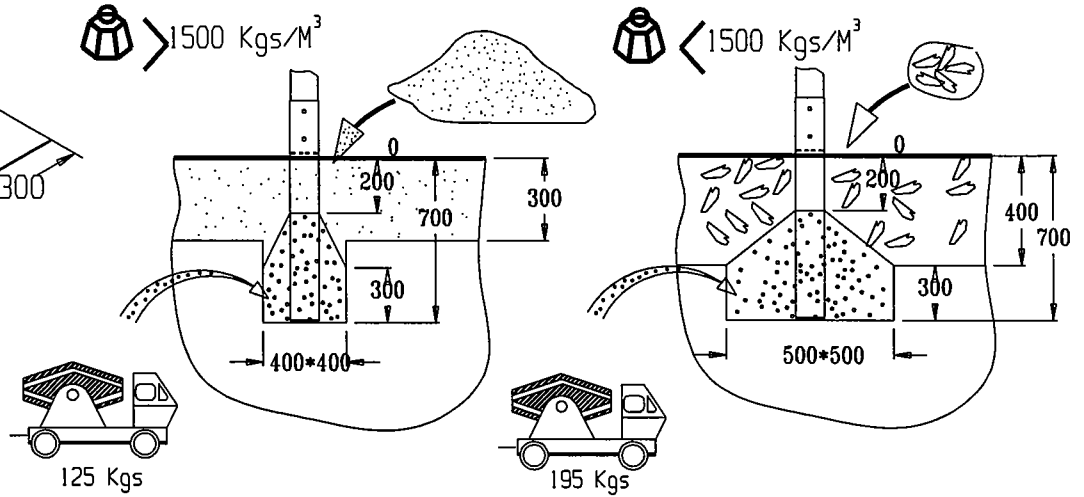
2



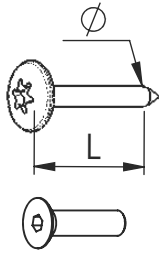


LG2553 X 1

	VTRCC 10x140	1
	VECM10	1
	VTF 10x60	2
	M10310	3
	M10440	3

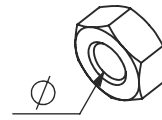


LI..... X 1



VBT 6 x 30
 \varnothing \uparrow L (mm)

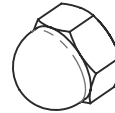
VFHC



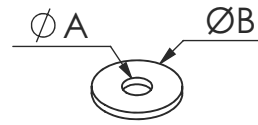
VEC M10
 \varnothing



VEF



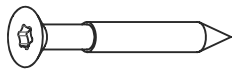
VEB



VR6x18
 $\varnothing A$ $\varnothing B$

1000 - 1800 tr/min
 Vitesse de rotation
 Rotation speed

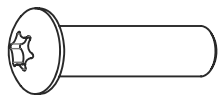
14 N.m
 Couple de rupture
 Torque of break



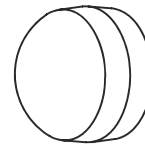
VWT



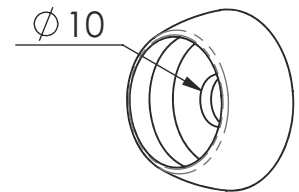
VGC



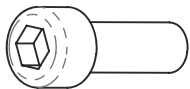
VCBHC



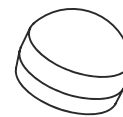
M10 440N



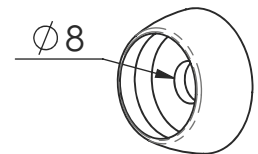
M10 310 N



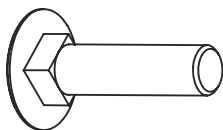
VBTR



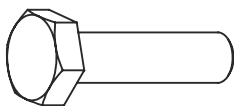
M8440N



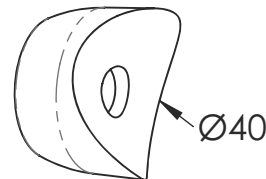
M8310N



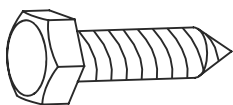
VTRCC



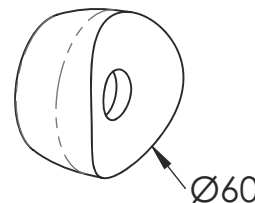
VTH



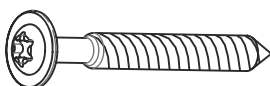
MI2503



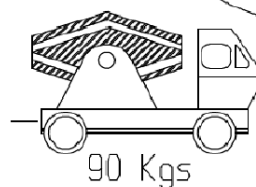
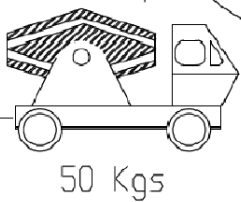
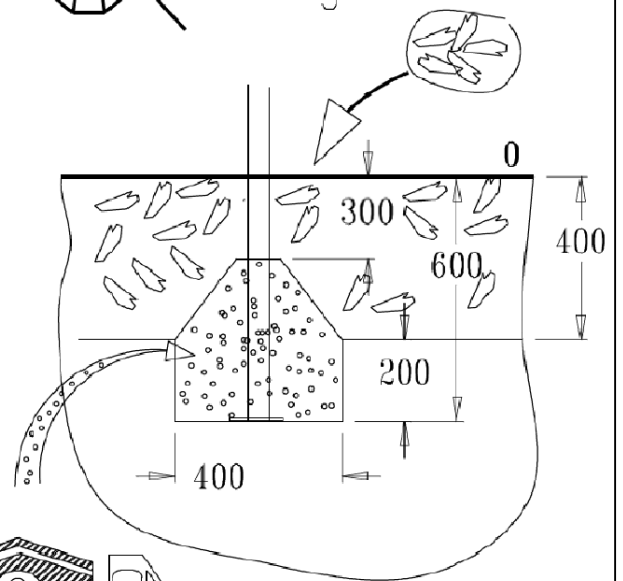
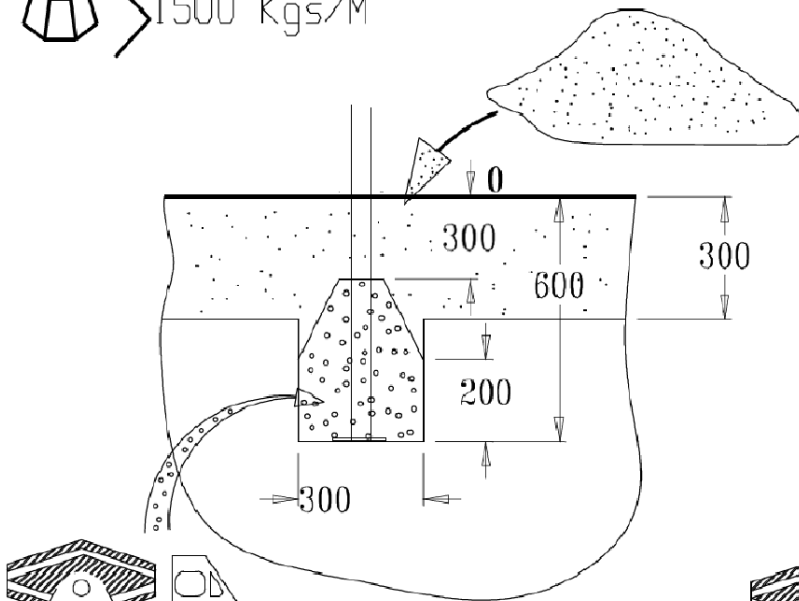
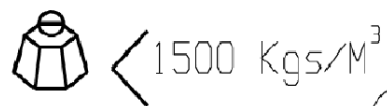
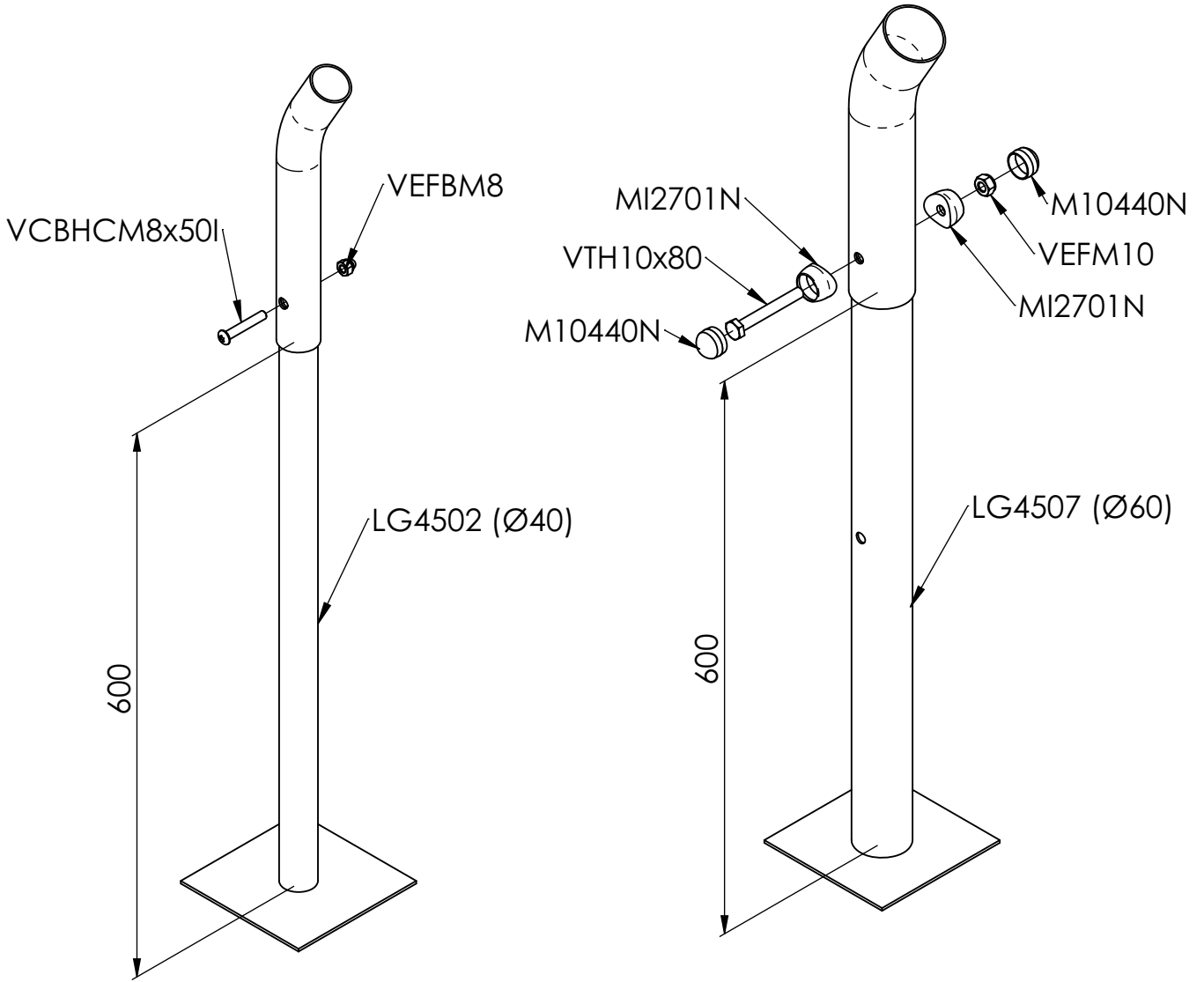
VTF

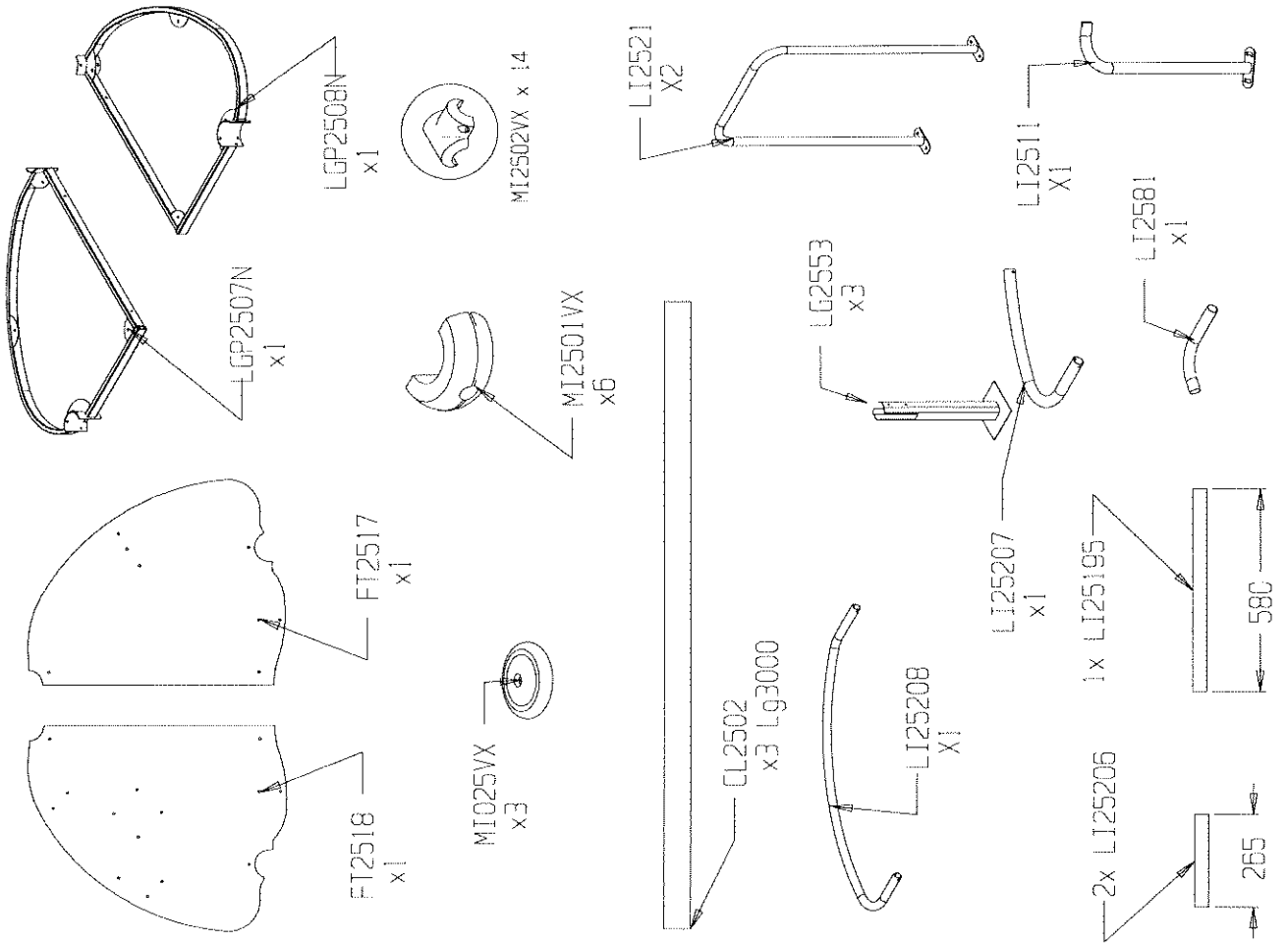
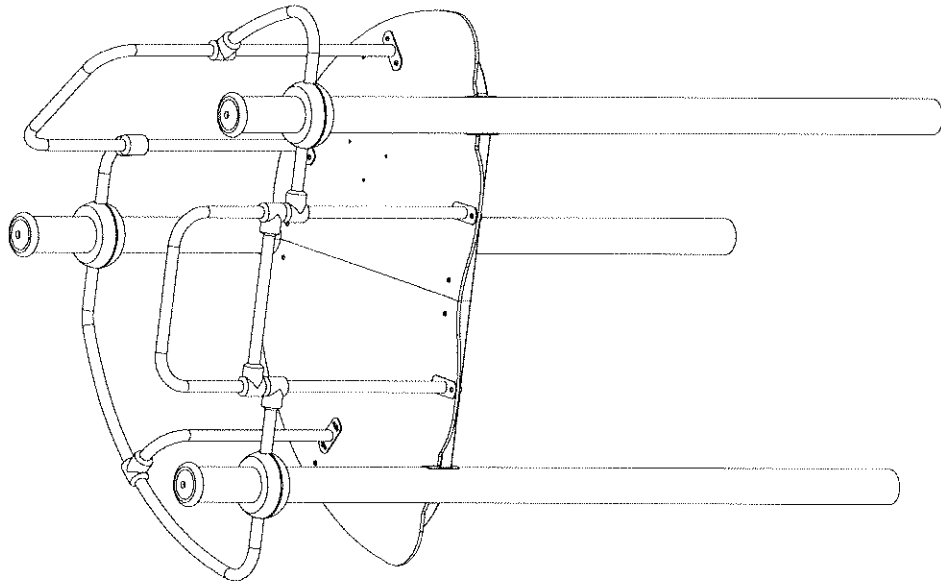


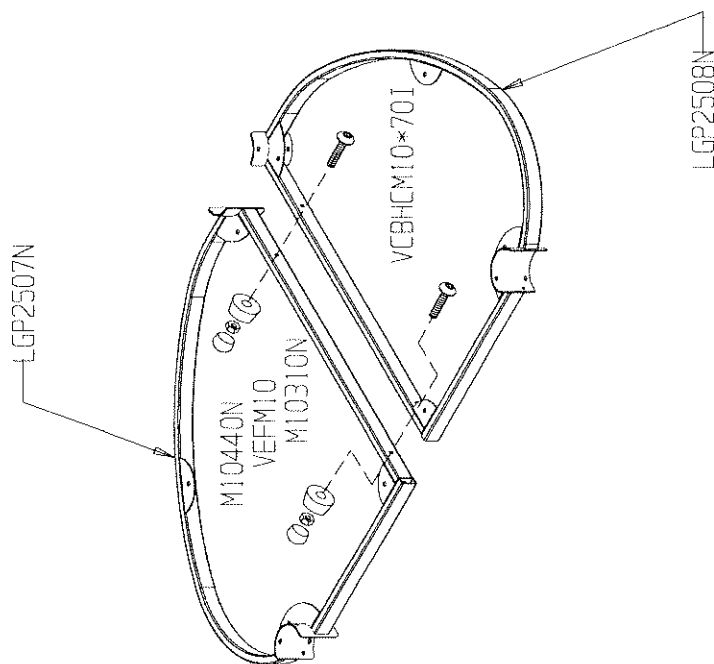
MI2701



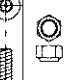



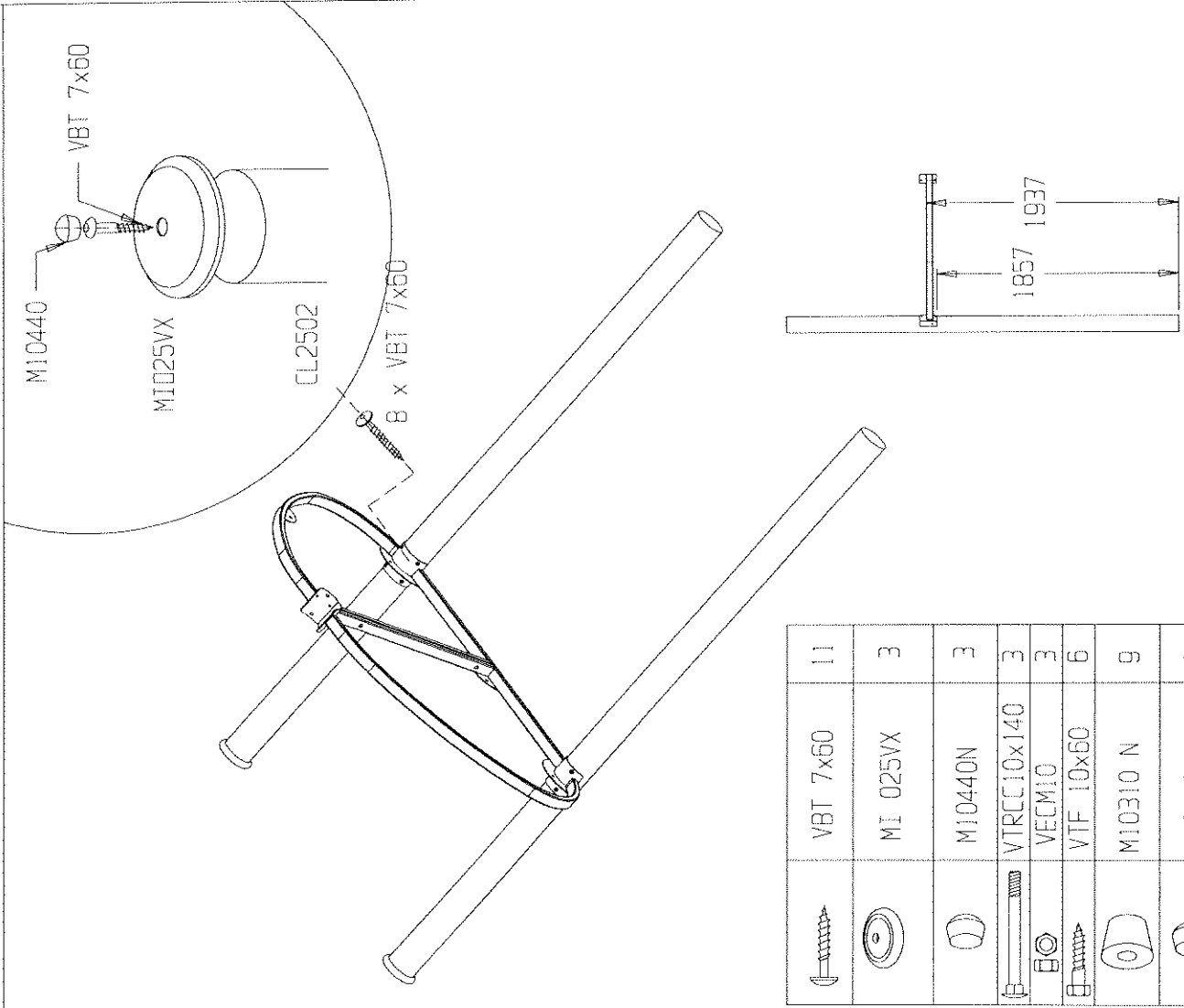
VBT



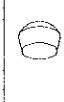
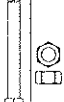






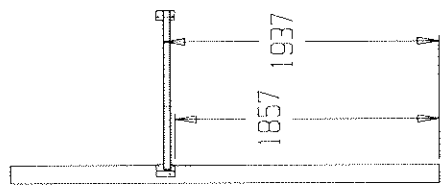


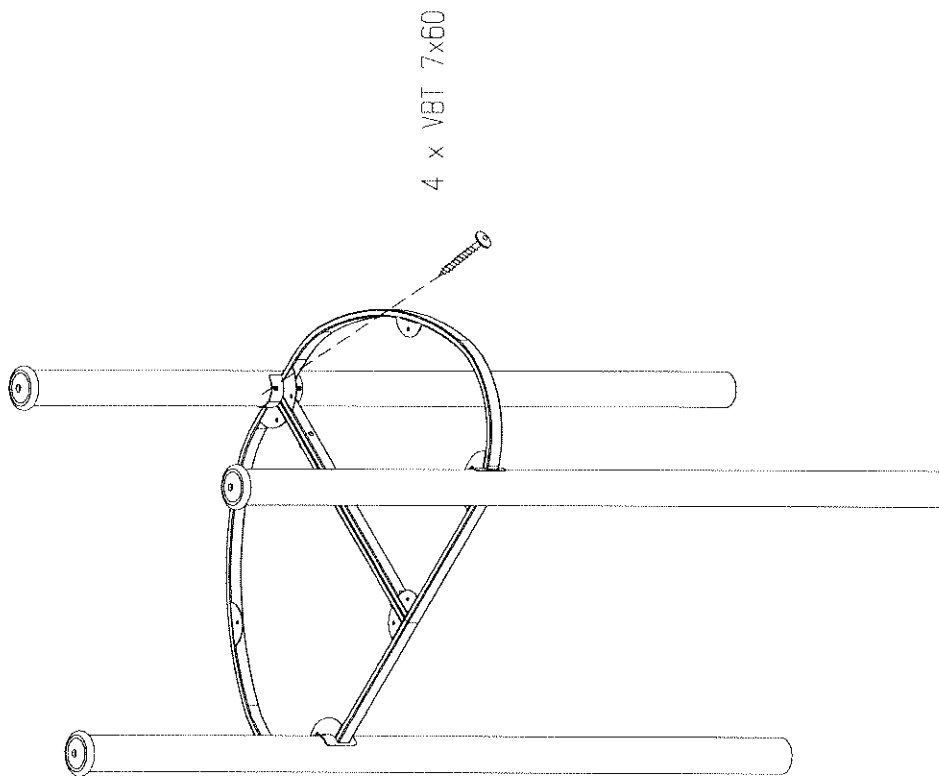


	M10310N	2
	M10440N	2
	VCBHC10*70I	2
	VEFM10	2

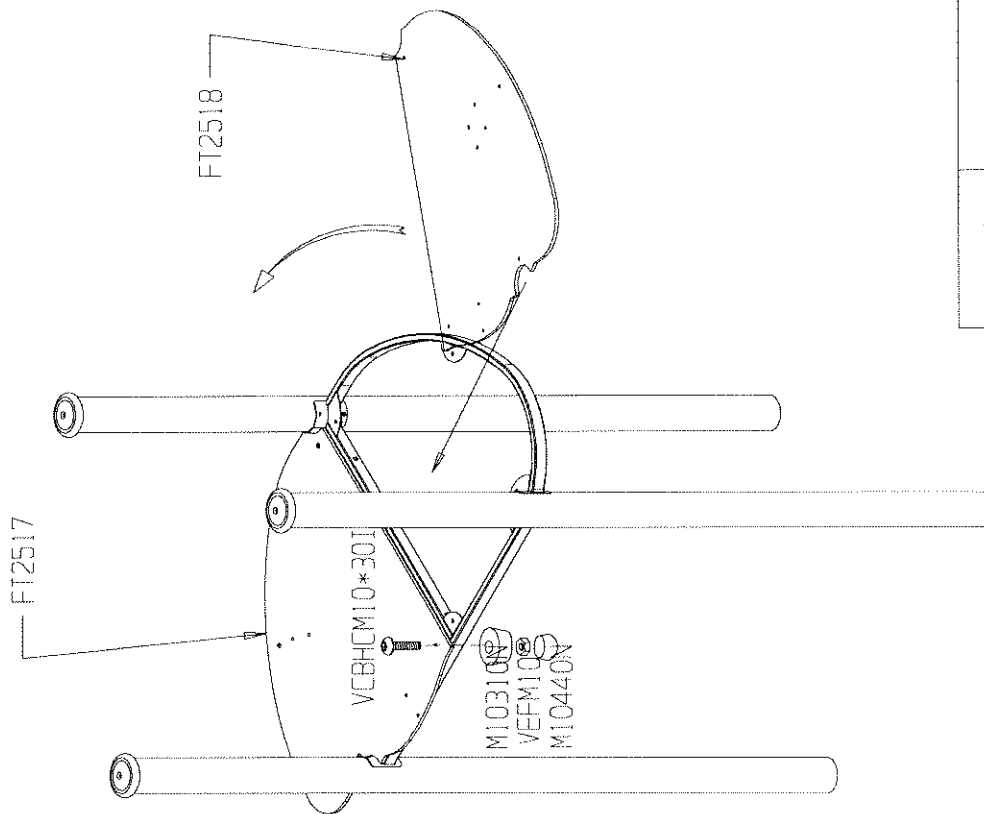






	VBT 7x60	11
	MI 025VX	3
	M10440N	3
	VTRCC10x140	3
	VECM10	3
	VTF 10x60	6
	M10310 N	9
	M10440 N	9

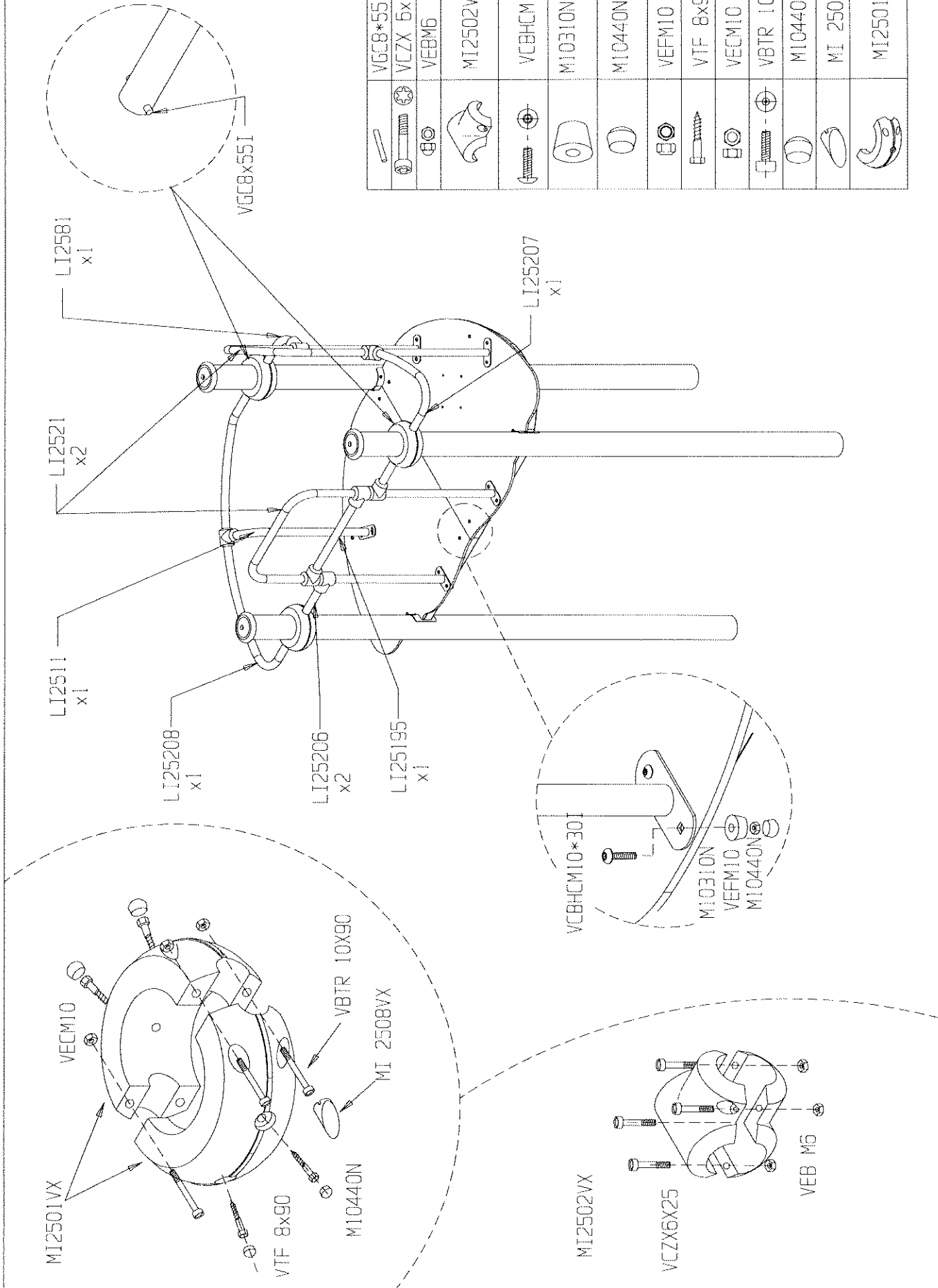




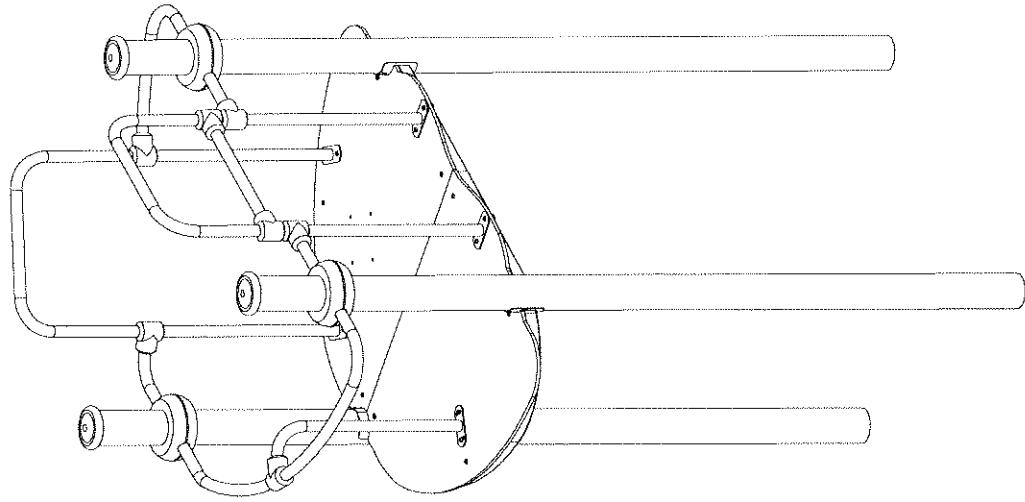
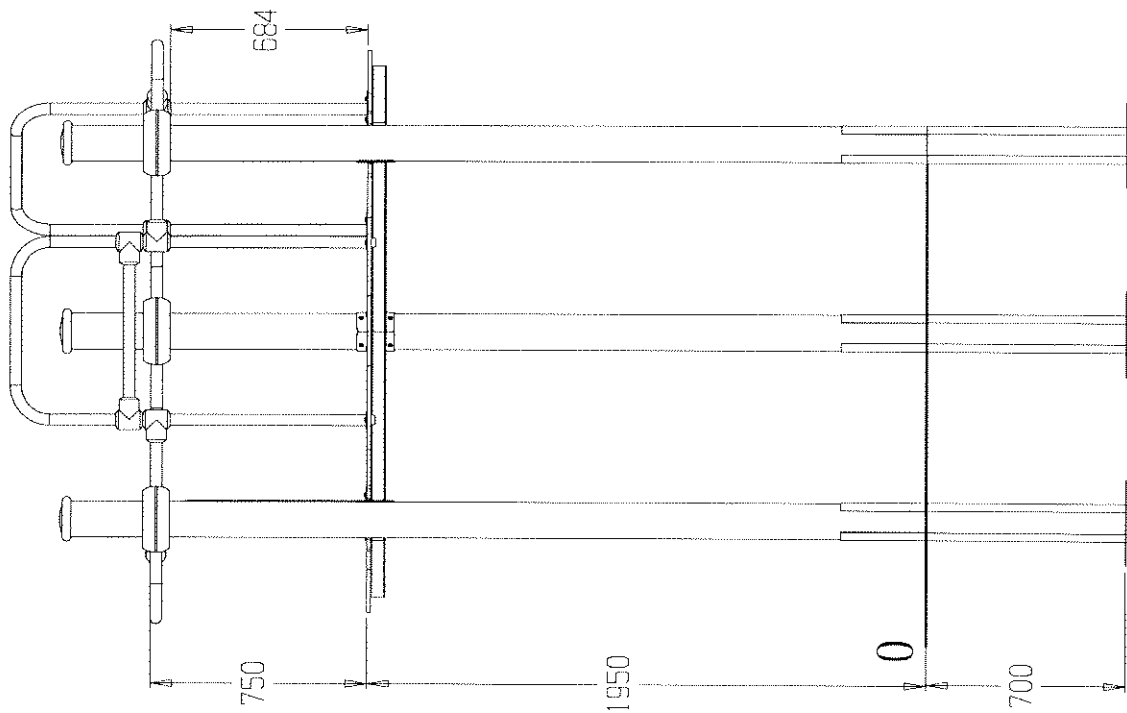
	VBT 7x60	4
---	----------	---

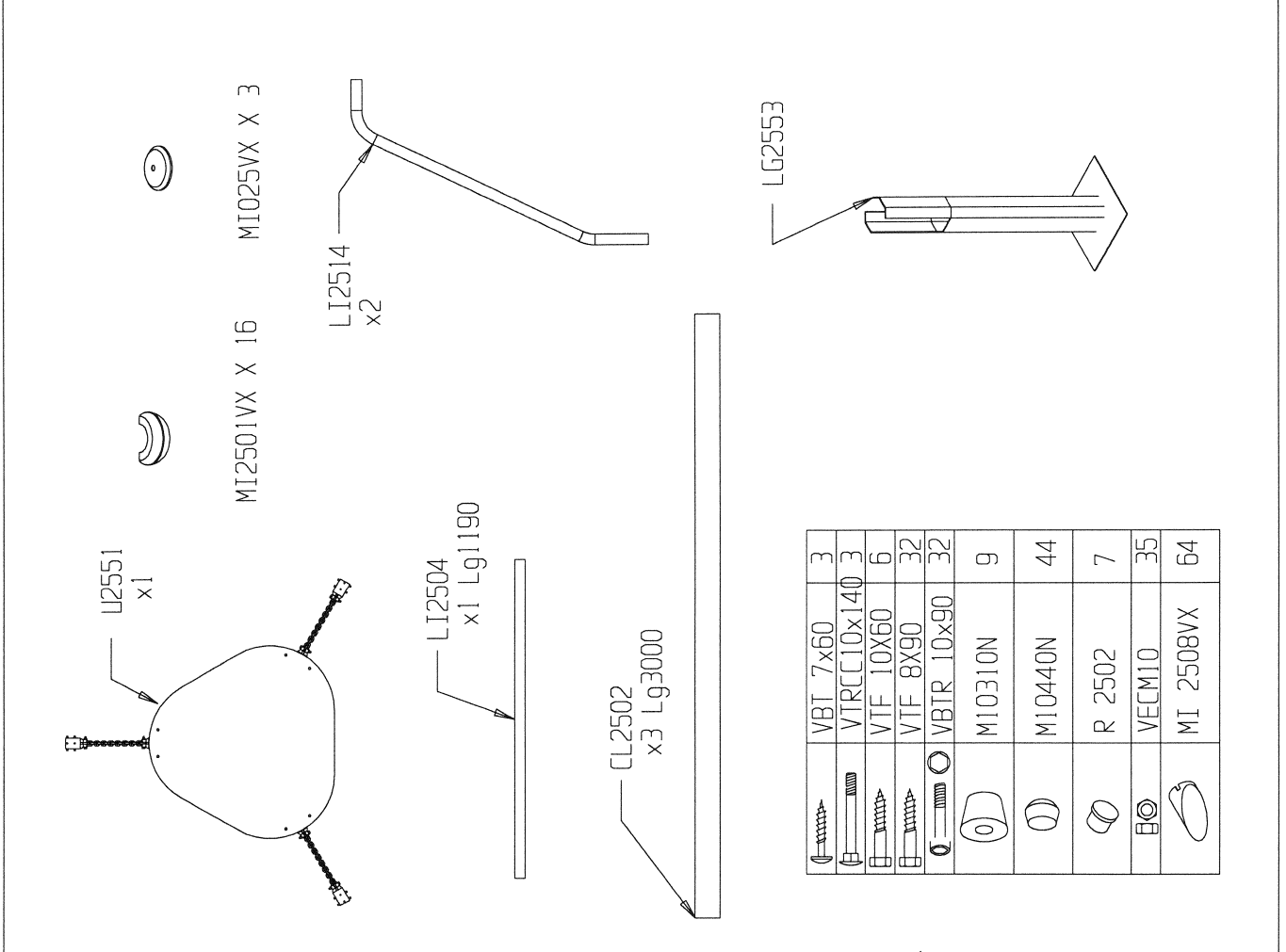
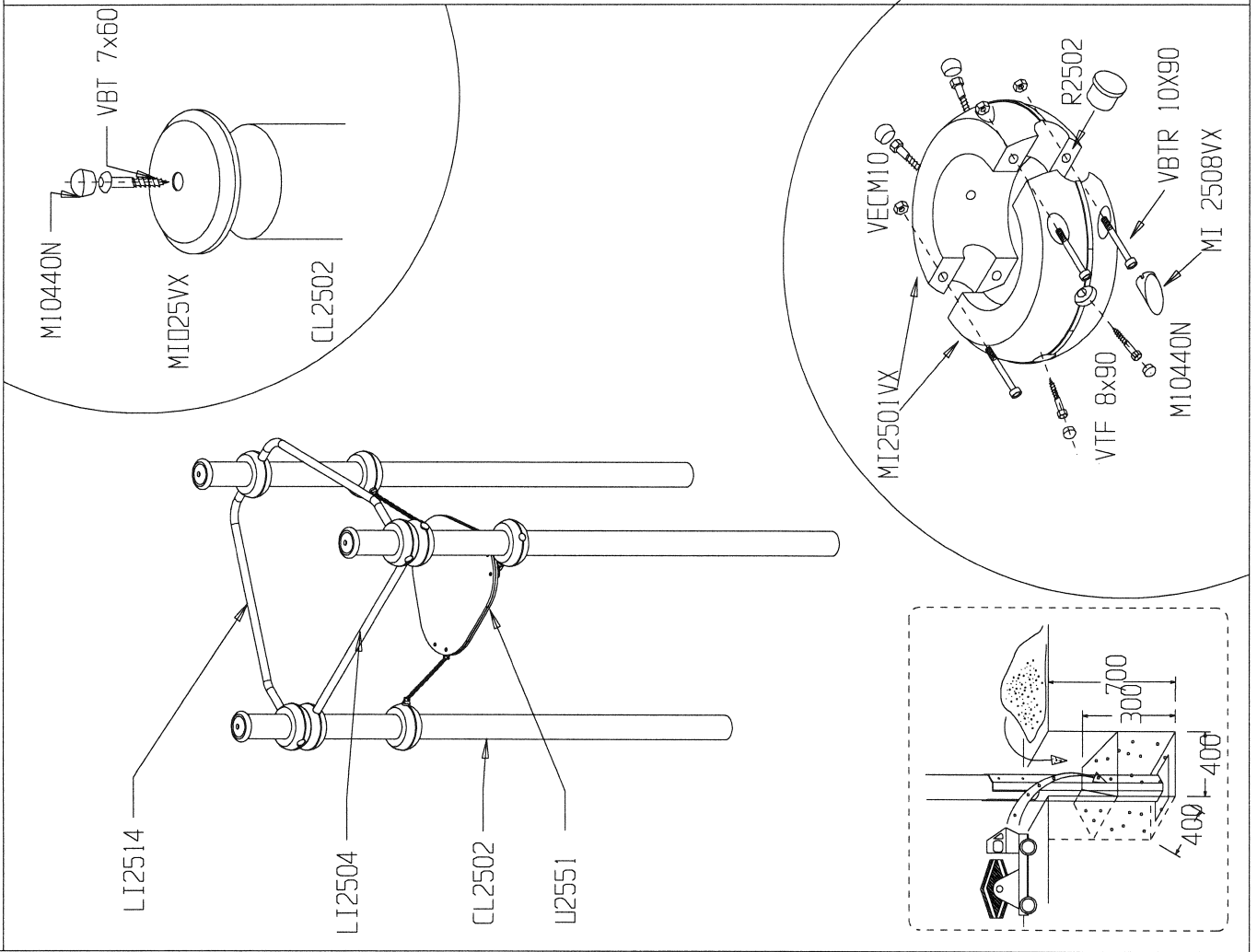


	VCBHC10*30I	8
	M10310N	8
	M10440N	8
	VEFM10	8

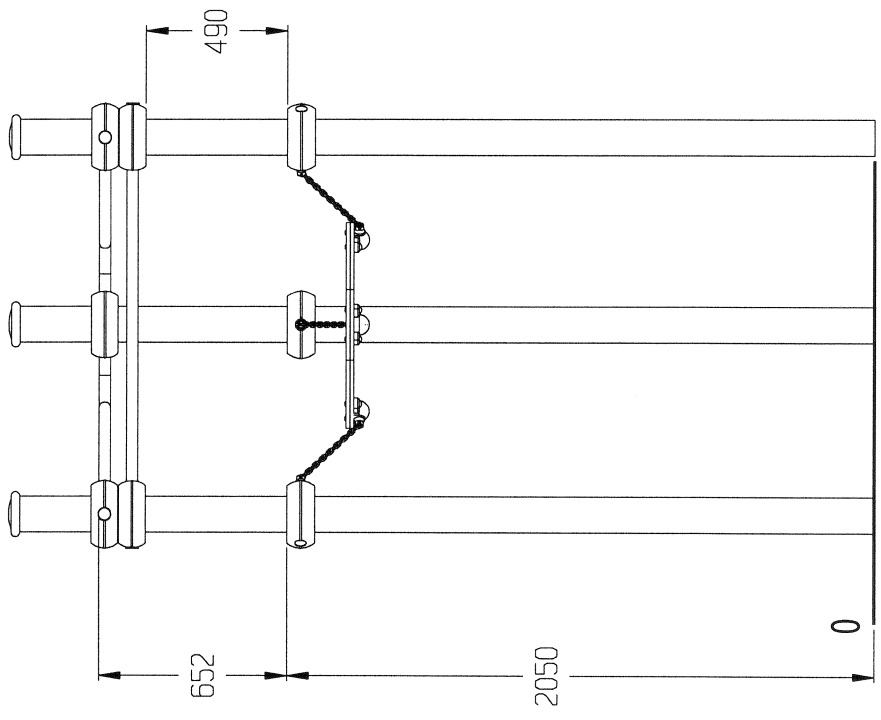
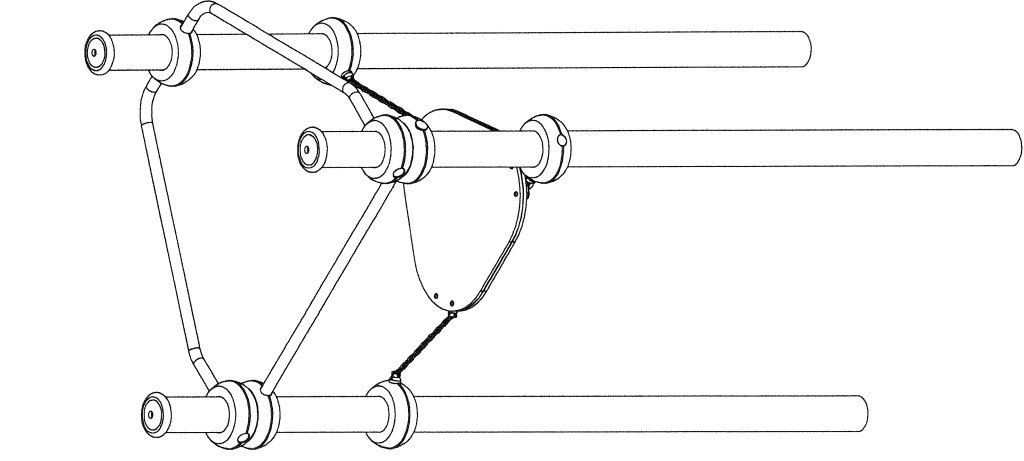


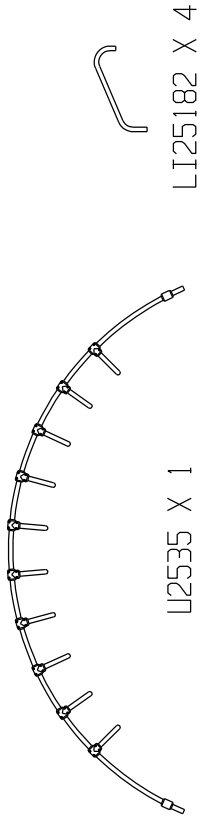
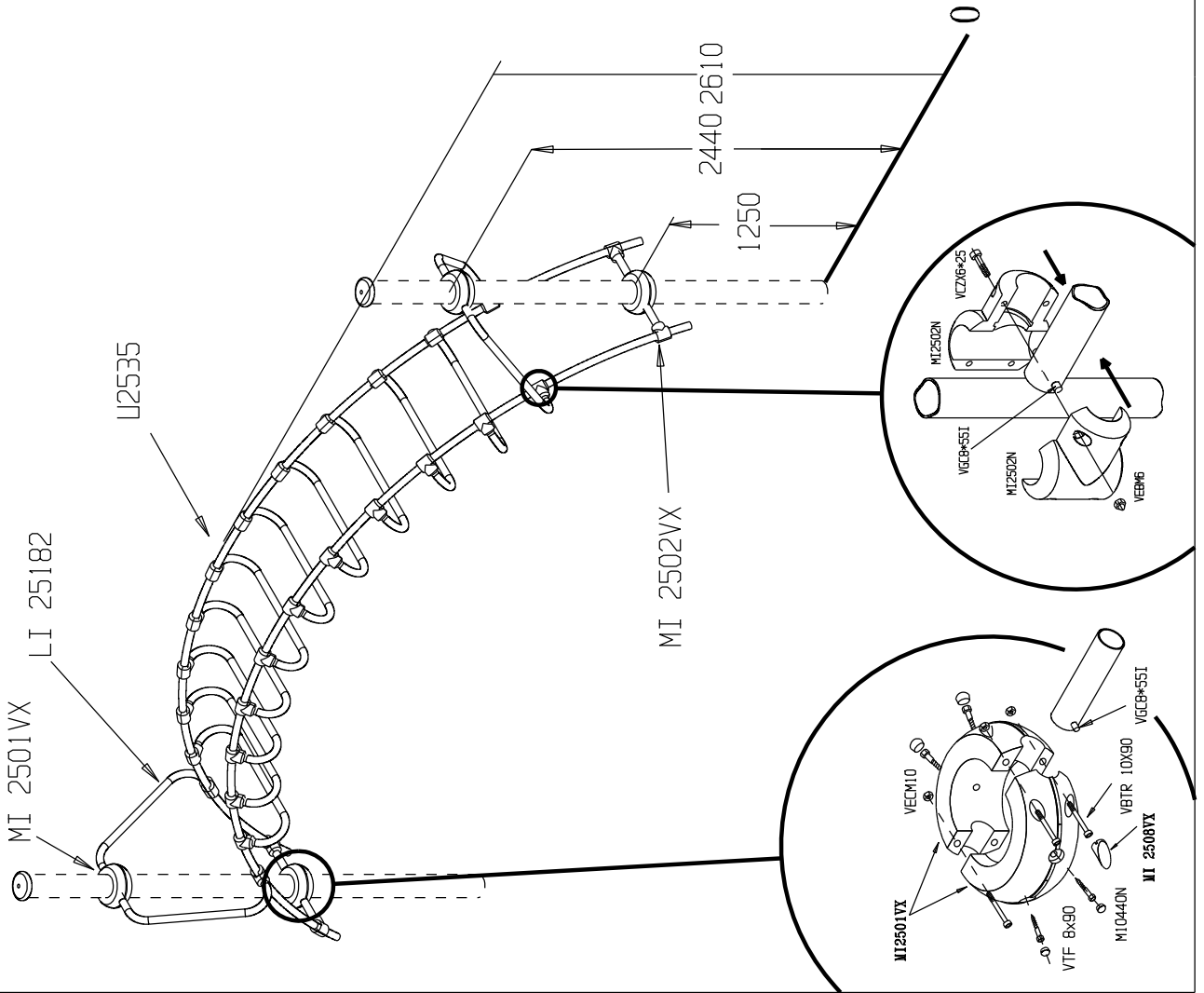
	VGC8*55I	4
	VCZX 6x25	28
	VEBM6	28
	MI2502VX	14
	VCBHC10*30I	10
	M10310N	10
	M10440N	10
	VEFM10	10
	VTF 8x90	12
	VECM10	12
	VBTR 10x90	12
	M10440N	12
	MI 2508VX	24
	MI2501VX	6





	VBT 7x60	3
	VTRCC10x140	3
	VTF 10x60	6
	VTF 8x90	32
	VBTR 10x90	32
	MI0310N	9
	MI0440N	44
	R 2502	7
	VECM10	35
	MI 2508VX	64

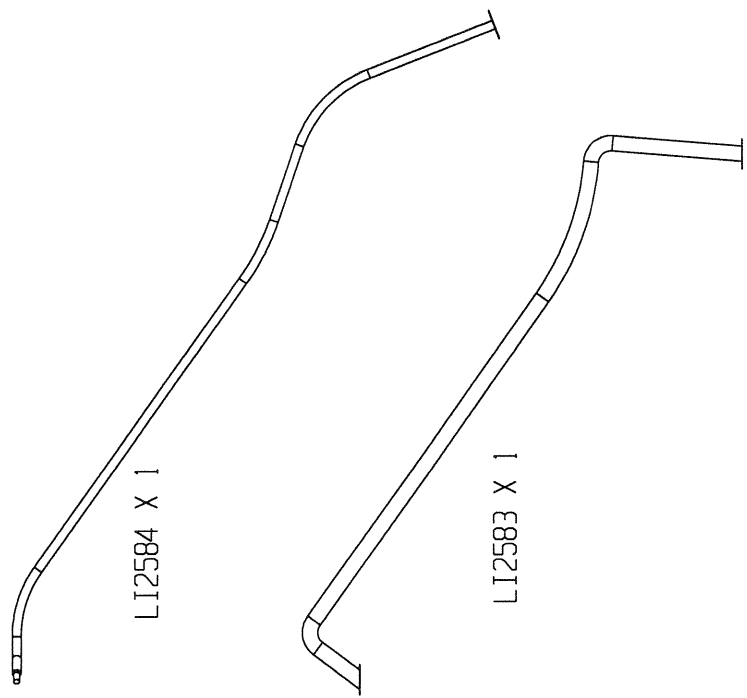
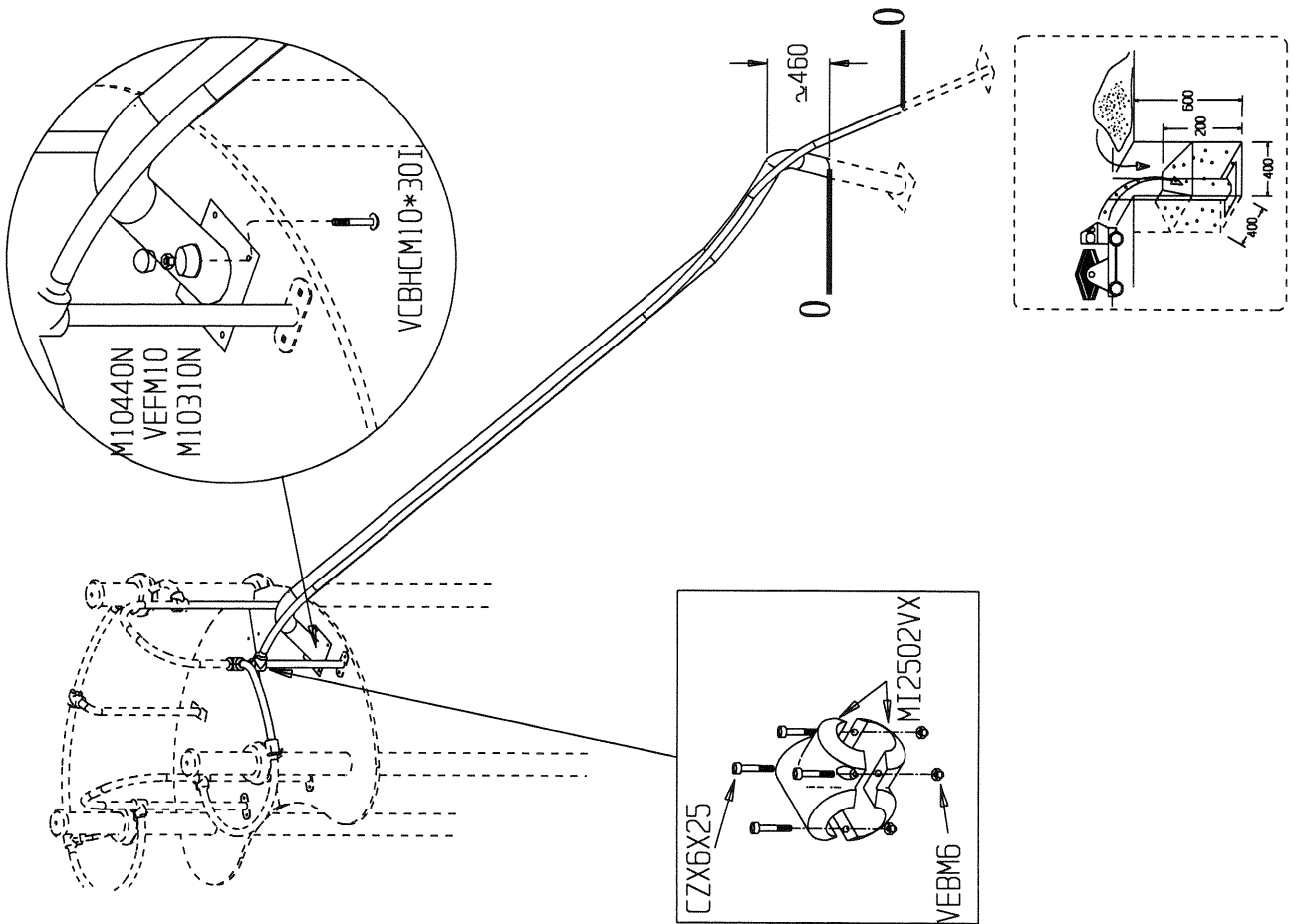




MI2501VX X 8

MI2502VX X 8

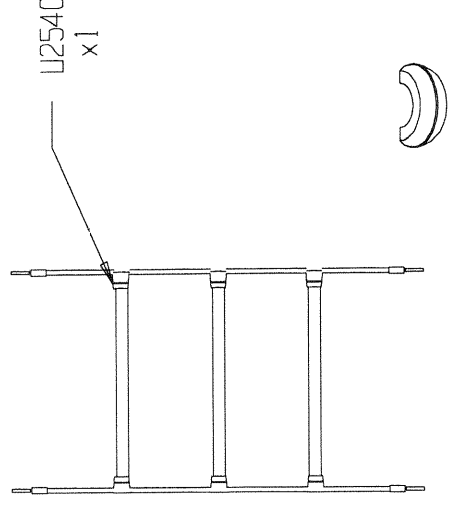
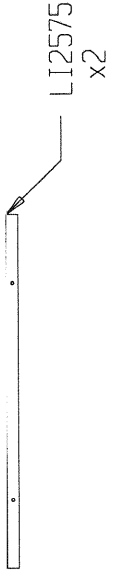
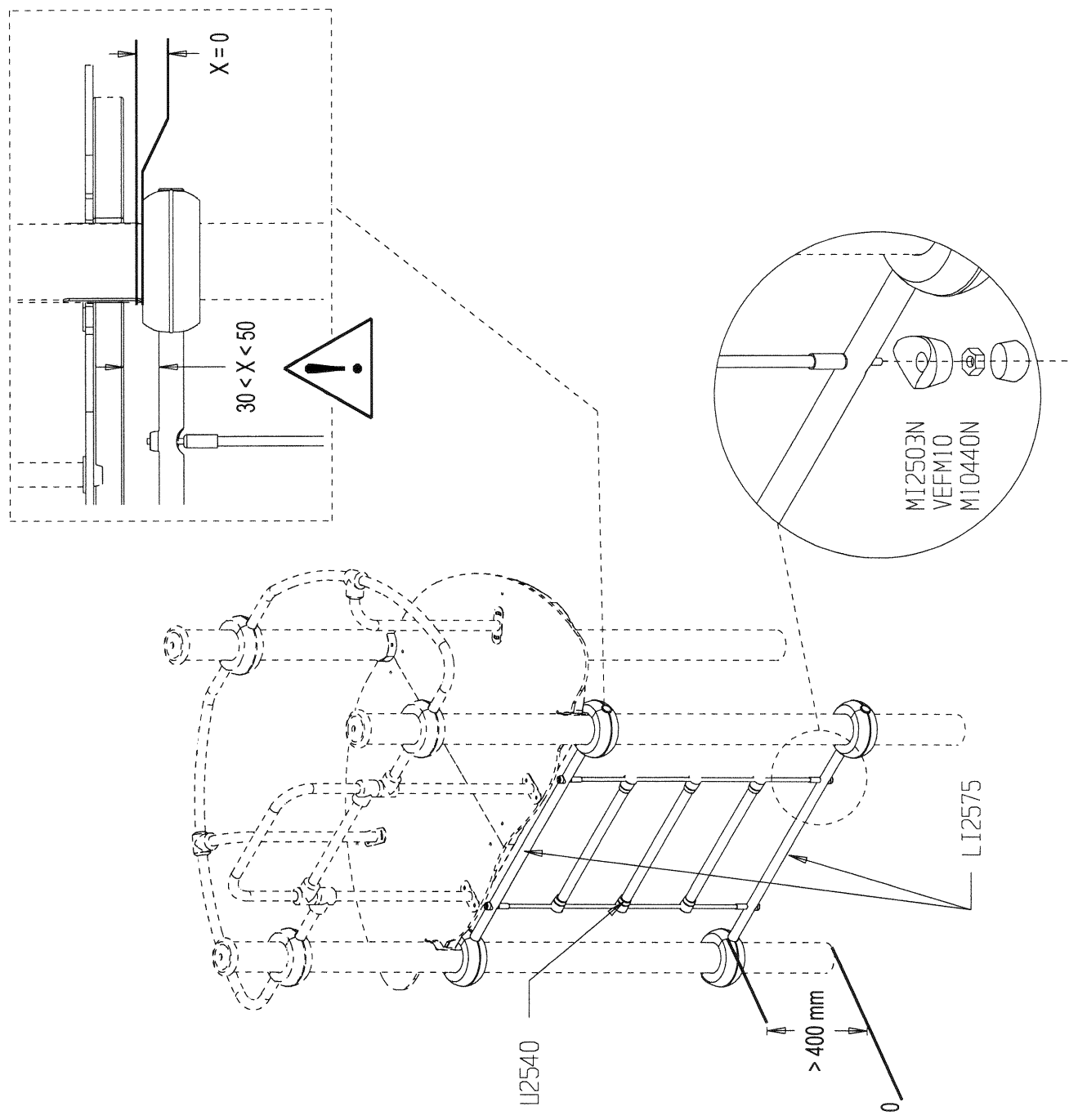
	VGC8*55I	12
	VTF 8x90	16
	VBTR 10x90	16
	VCZX 6x25	16
	M10440N	16
	VECM10	16
	VEBMG	16
	MI 2508VX	32



	VEFM10	4
	VCBHC10*30I	4
	CZX 6x25	4
	VEBM6	4
	M10310N	4
	M10440N	4

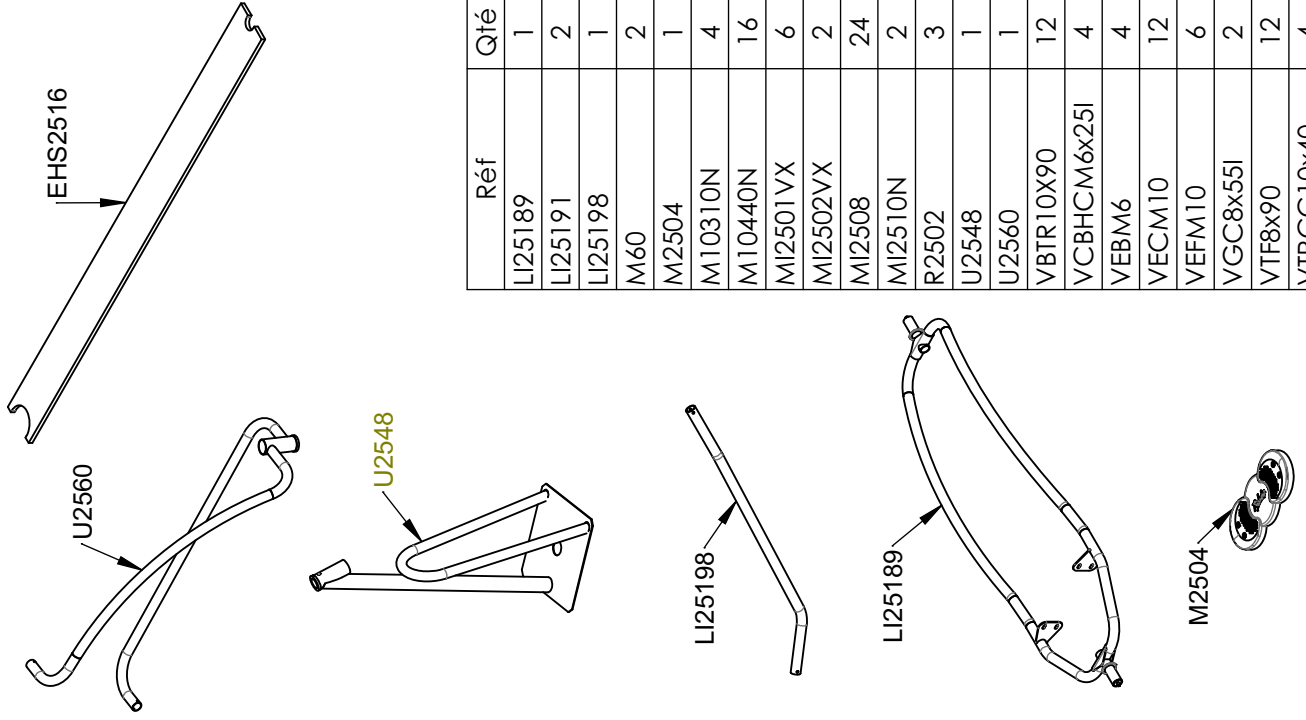
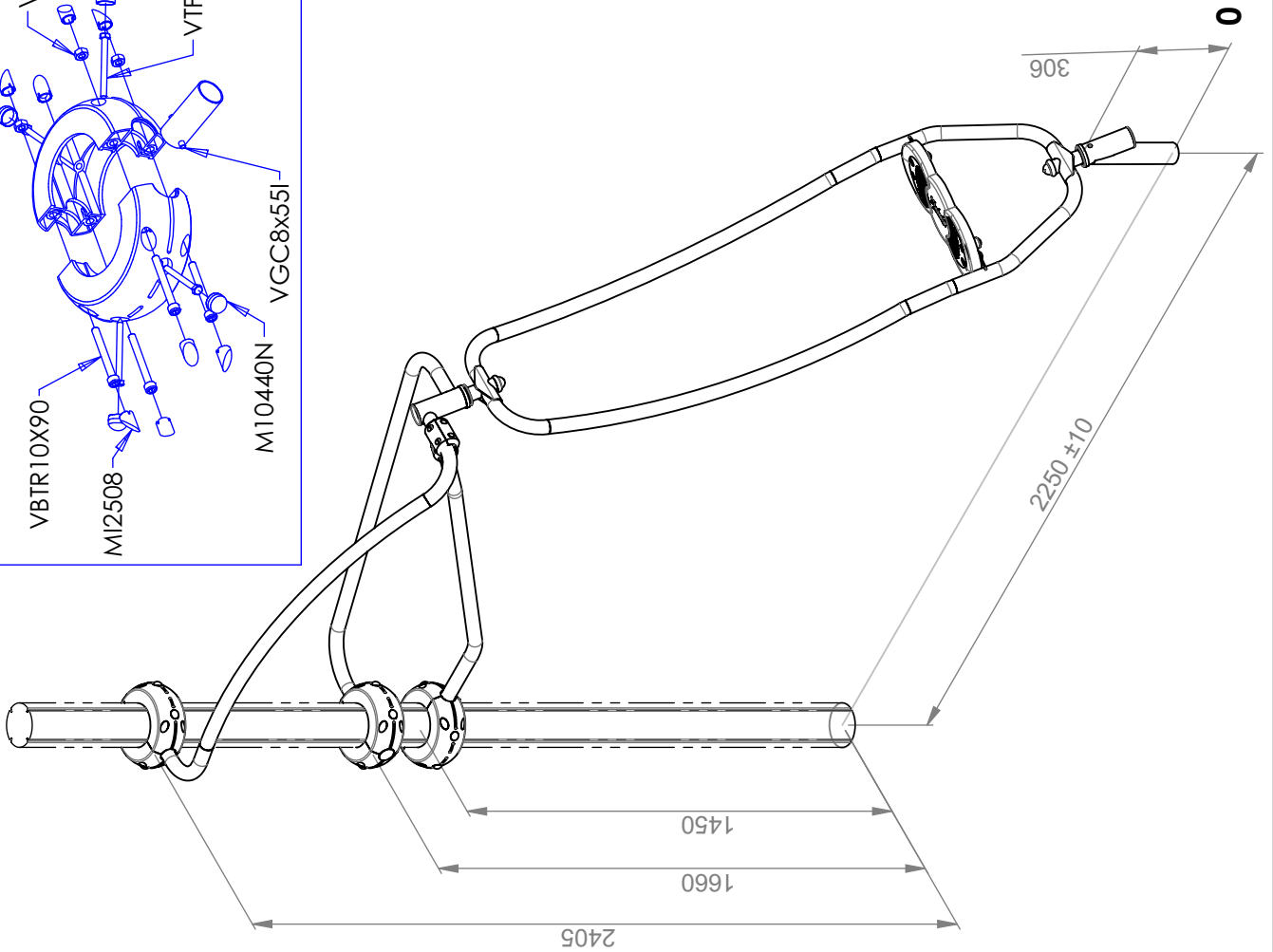


MI2502VX X 2

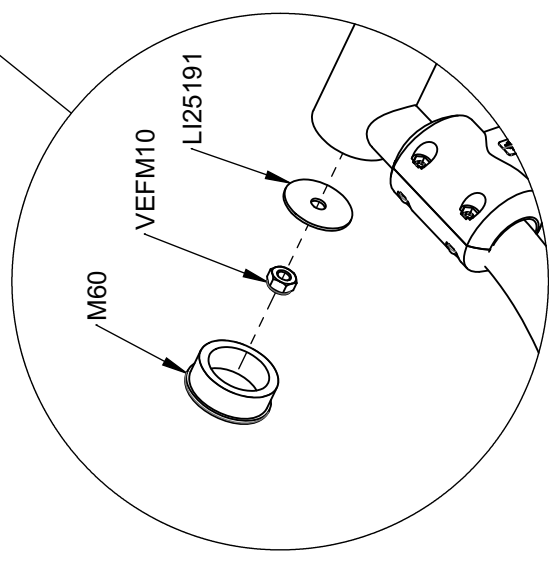
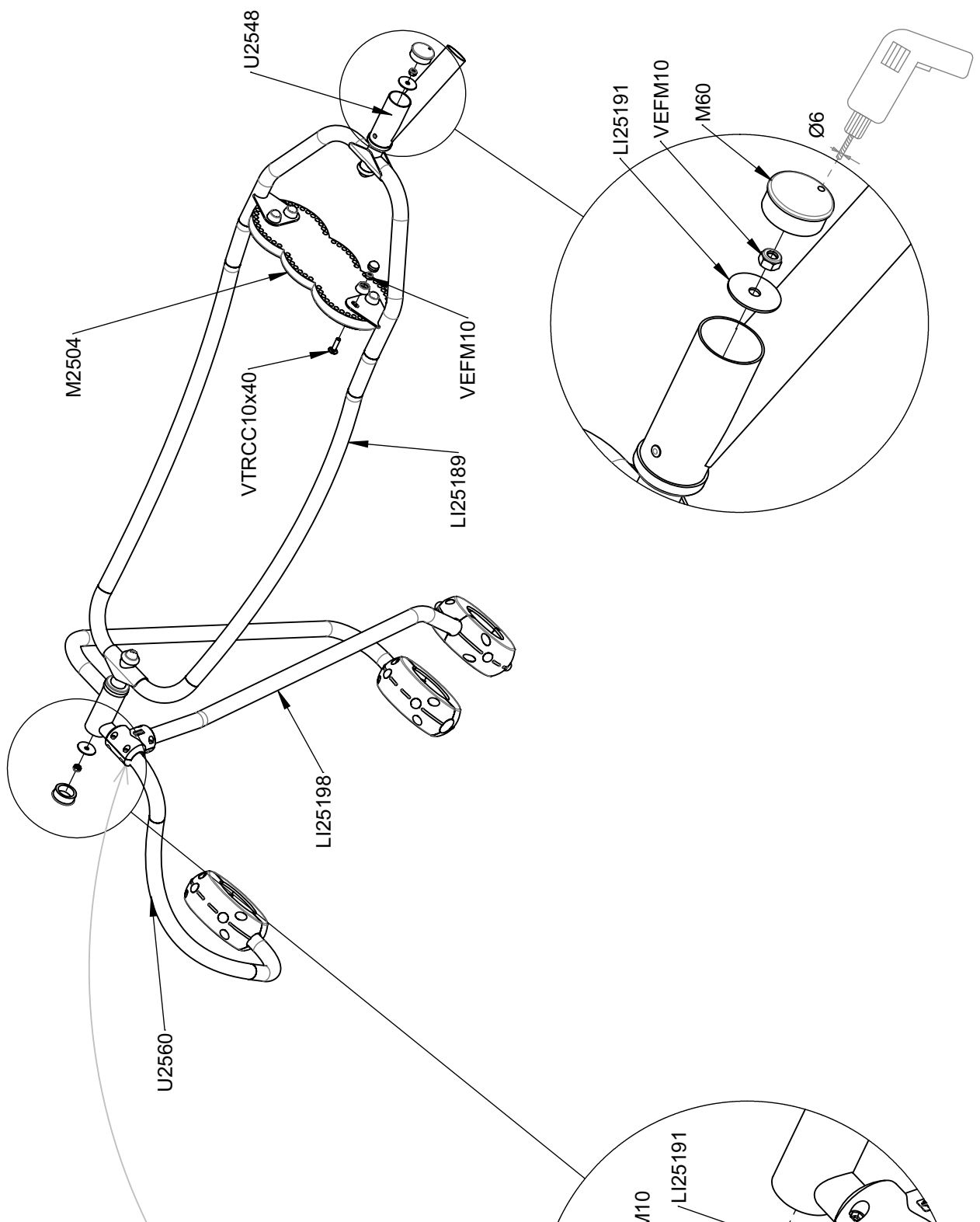
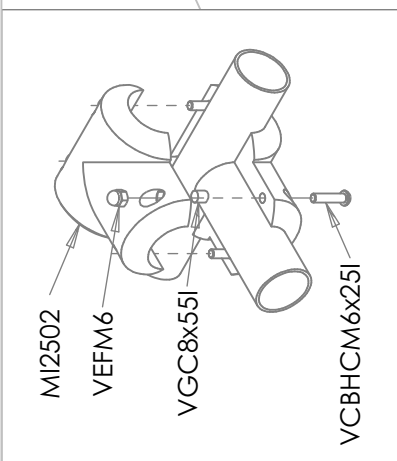


MI2501VX x 8

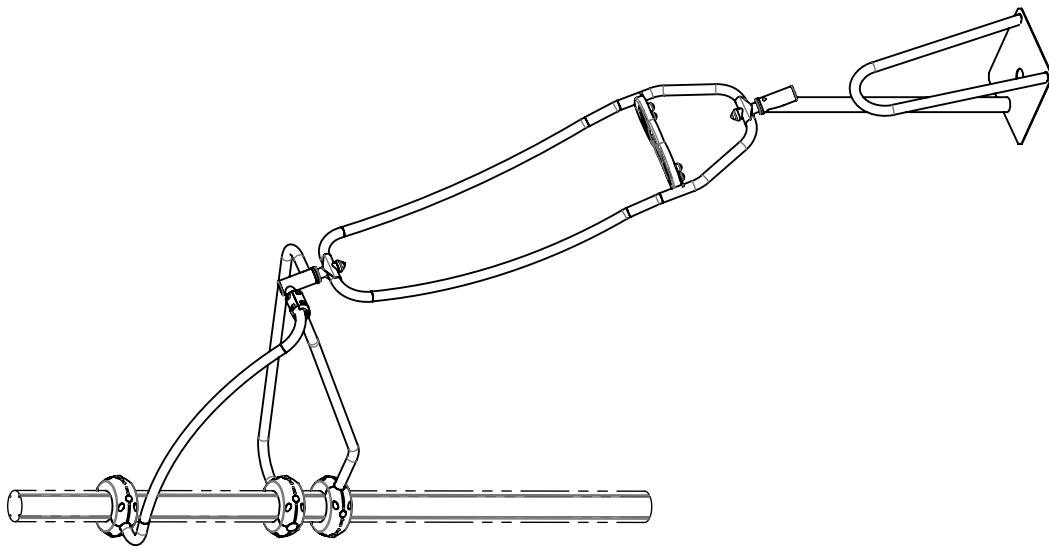
	VECM10	16
	VBTR 10x90	16
	VTF 8X90	16
	MI2503N	4
	M10440N	20
	VEFM10	4
	MI 2508VX	32
	R 2502	4



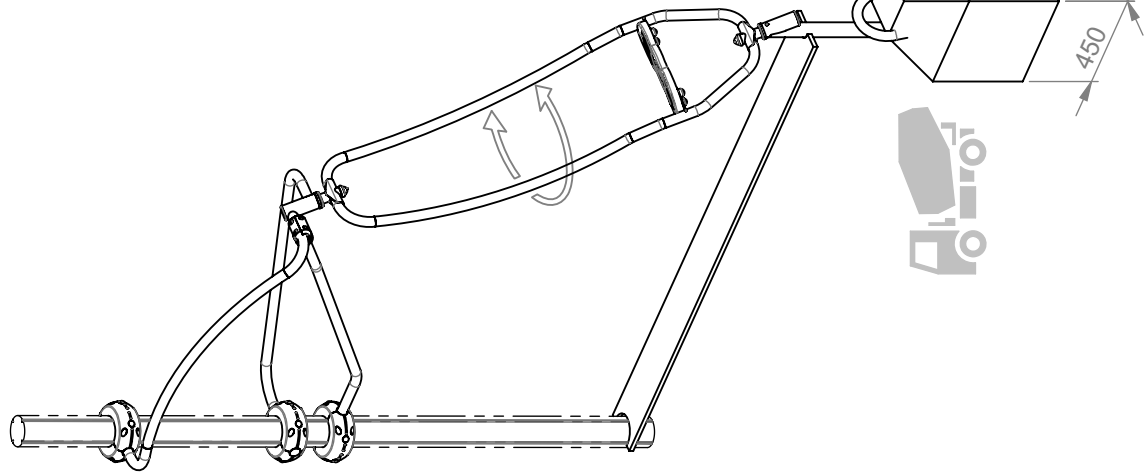
Réf	Qté
L125189	1
L125191	2
L125198	1
M60	2
M2504	1
M10310N	4
M10440N	16
M12501VX	6
M12502VX	2
M12508	24
M12510N	2
R2502	3
U2548	1
U2560	1
VBTR10X90	12
VCBHC6x25I	4
VEBM6	4
VECM10	12
VEFM10	6
VGC8x55I	2
VTF8x90	12
VTRCC10x40	4



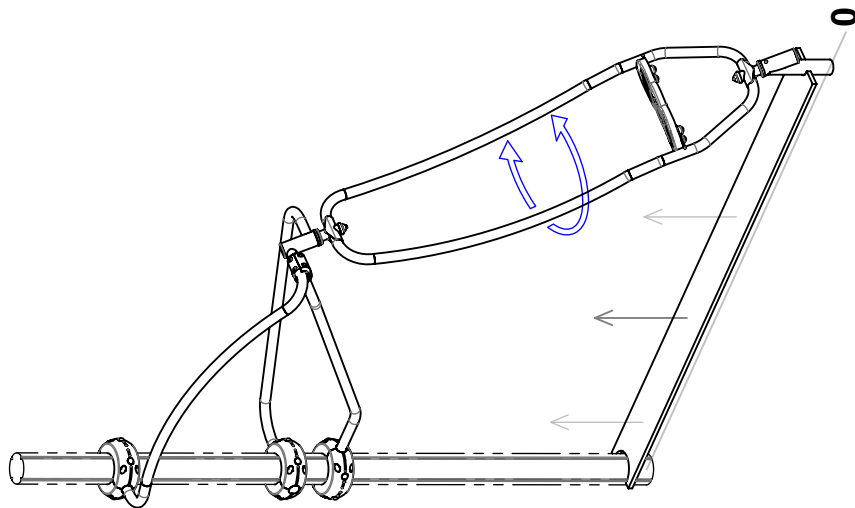
①

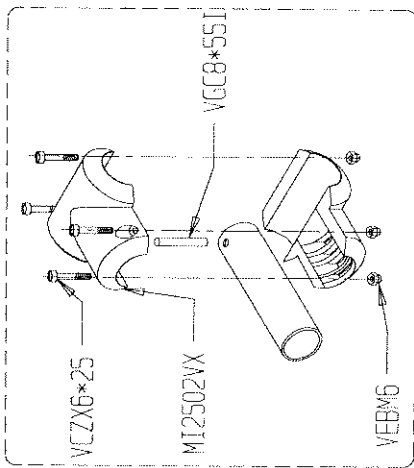


②



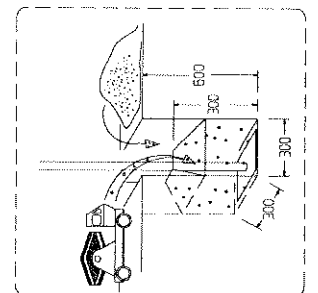
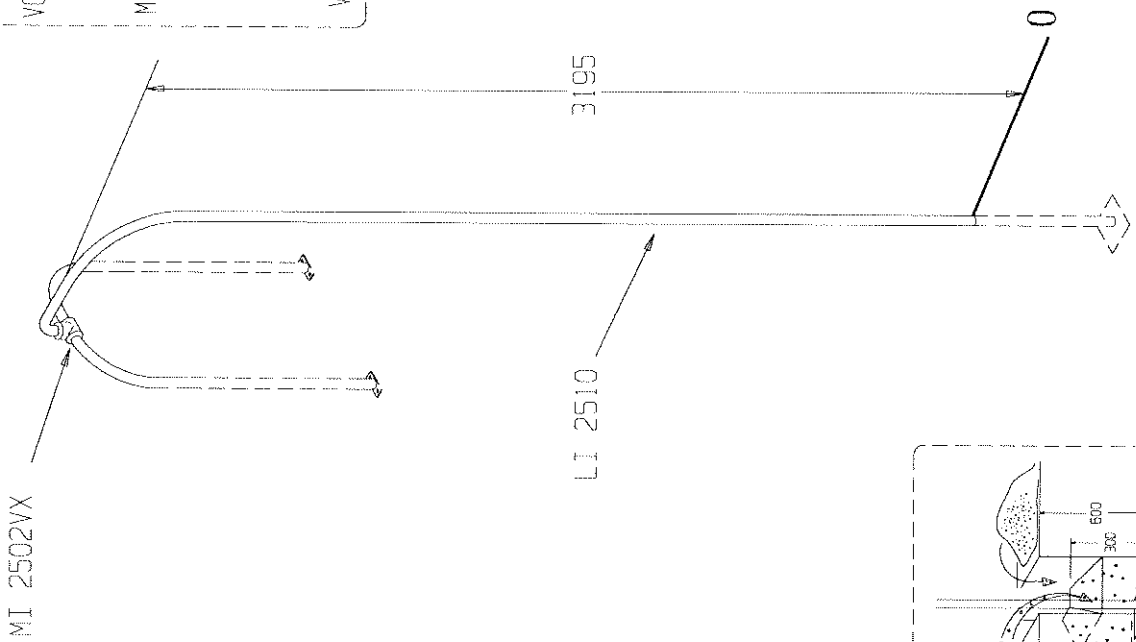
③



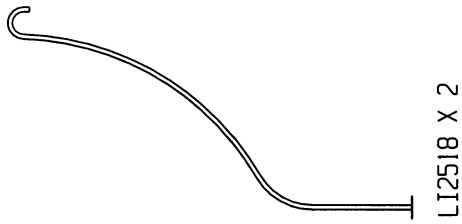
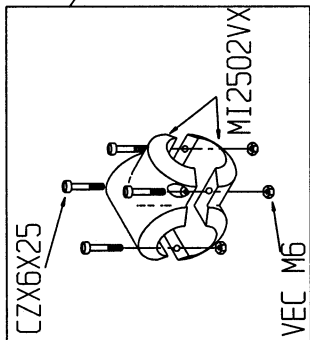


MI2502VX X 2

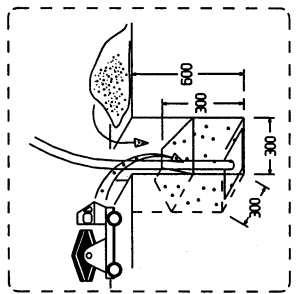
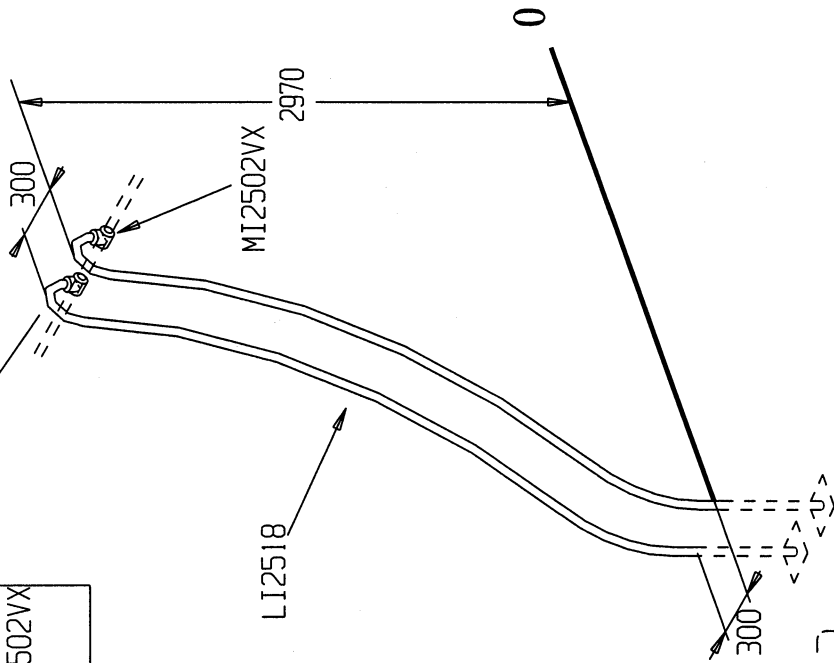
LI2510 X 1
Lg 3795



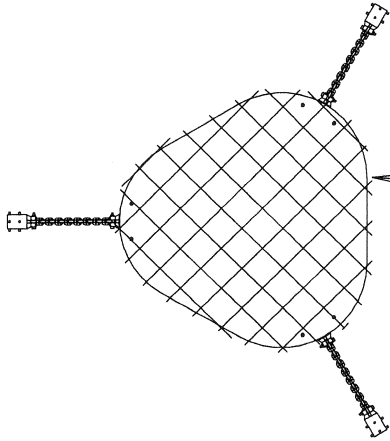
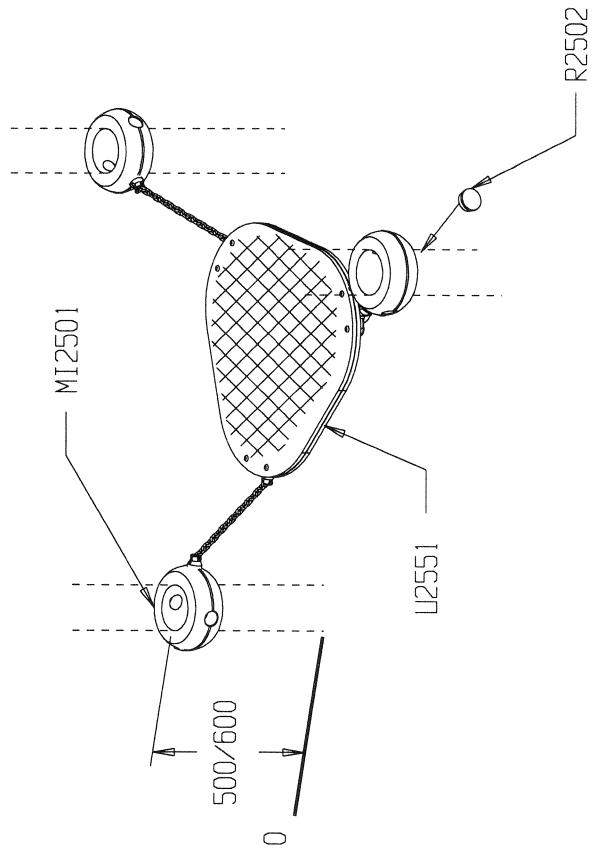
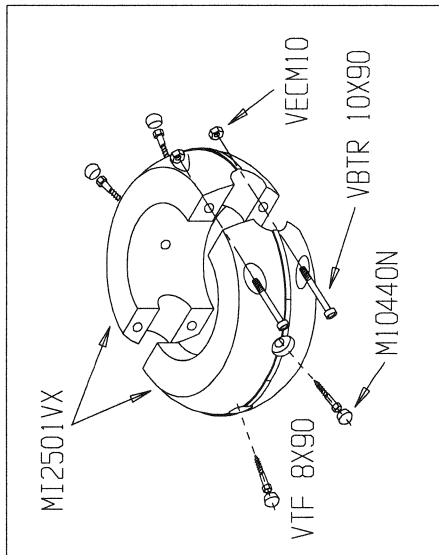
	VGC8*55I	1
	VCZX 6x25	4
	VEBM6	4



MI2502VX X 4

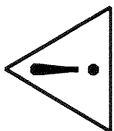
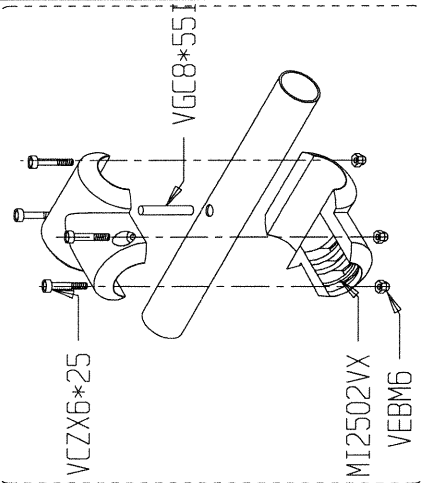
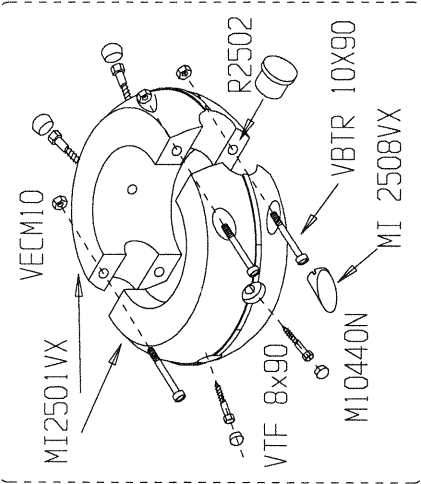
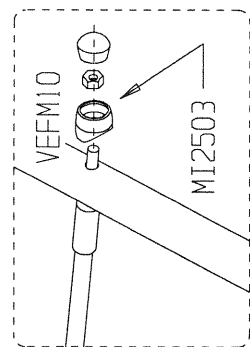


⊕	VEC M6	8
⊕	VCZX 6x25	8

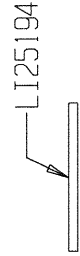
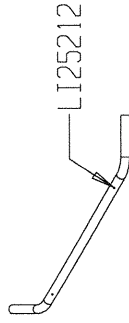
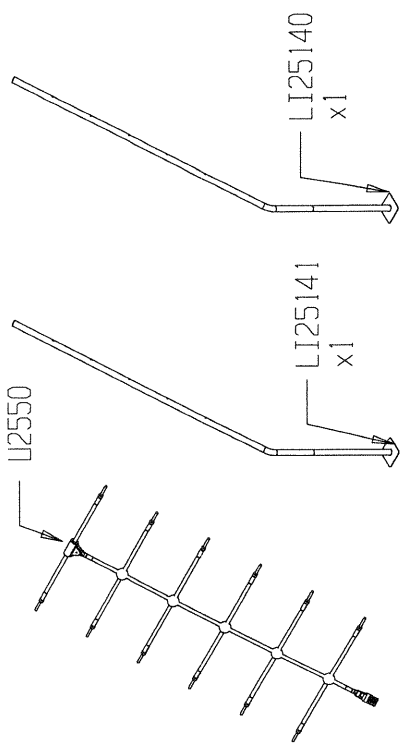
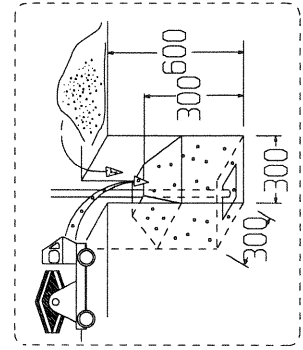
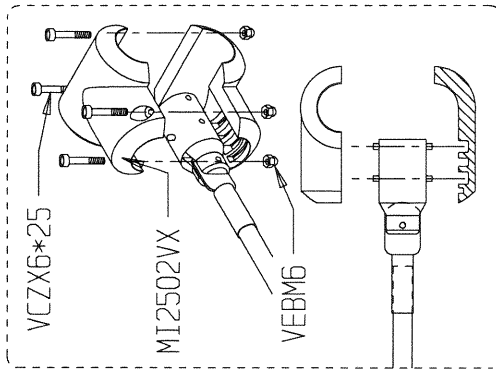
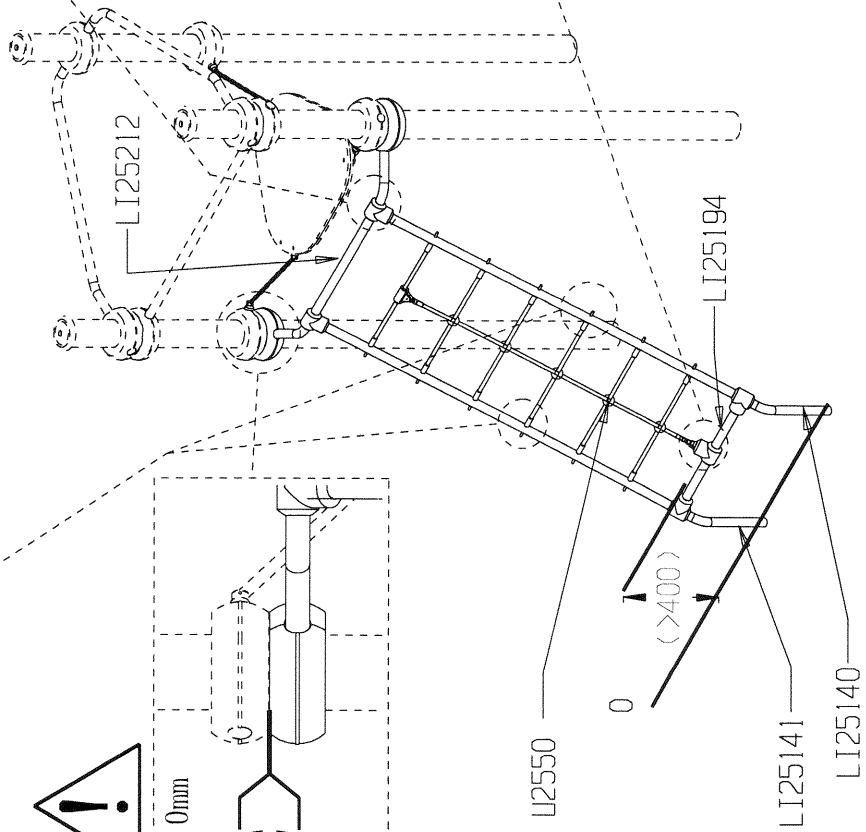
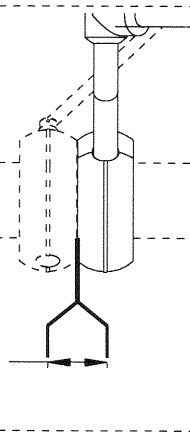


MI2501VX X 6

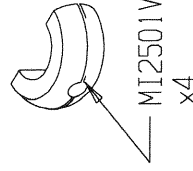
	VTF 8X90	12
	VEC M10	12
	VBTR 10x90	12
	M10440N	12
	MI 2508VX	24
	R 2502	3



X = 0mm

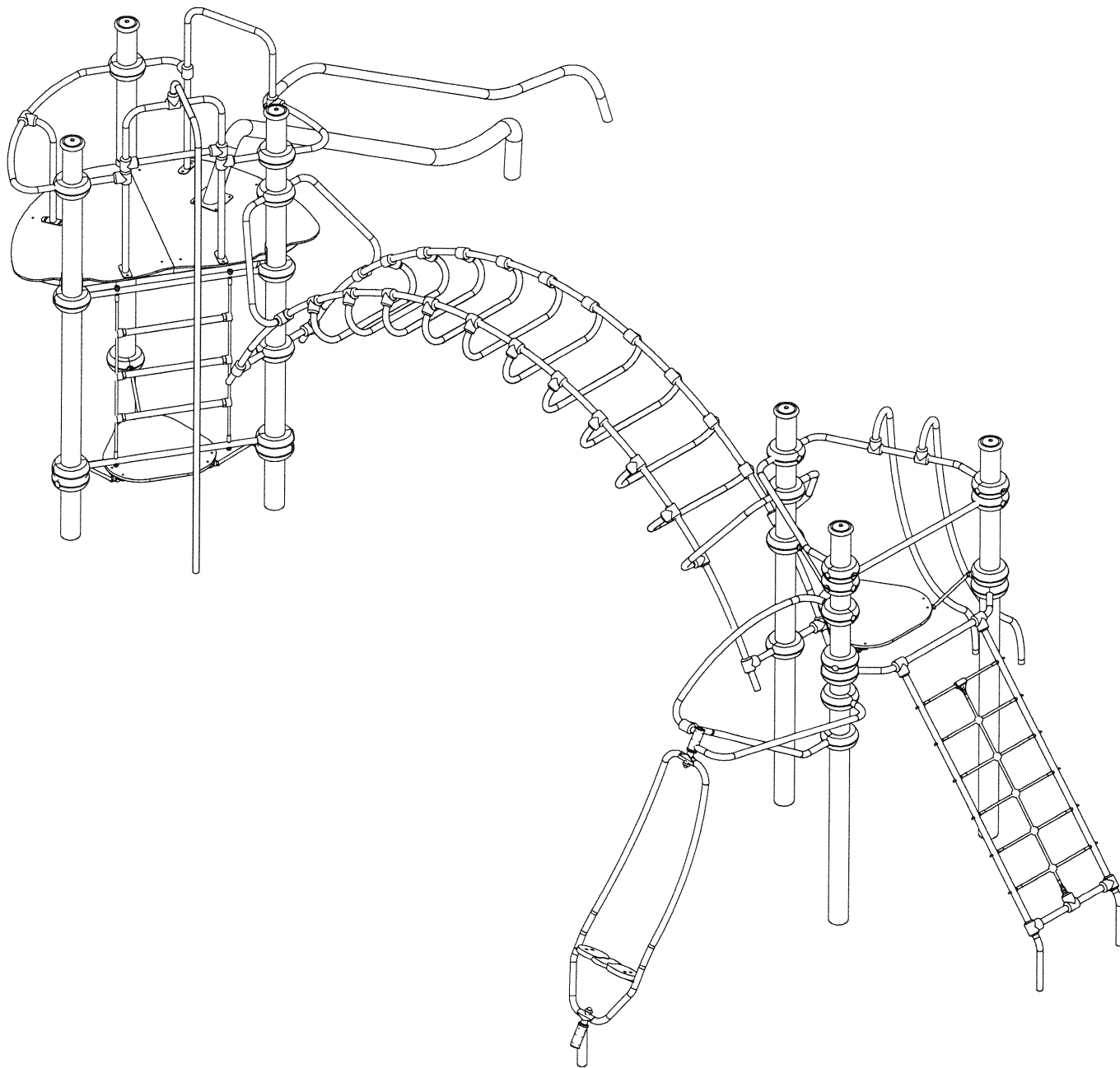


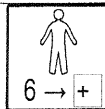
MI2502VX x 10



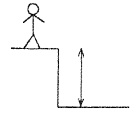

MI2501VX x4

	R 2502	2
	VTF 8x90	8
	VECM10	8
	VBTR 10x90	8
	MI10440 N	8
	MI 2508VX	16
	VGC8*55I	2
	VCZX 6x25	20
	VEBM6	20
	MI10440 N	12
	MI2503 N	12
	VEFM10	12





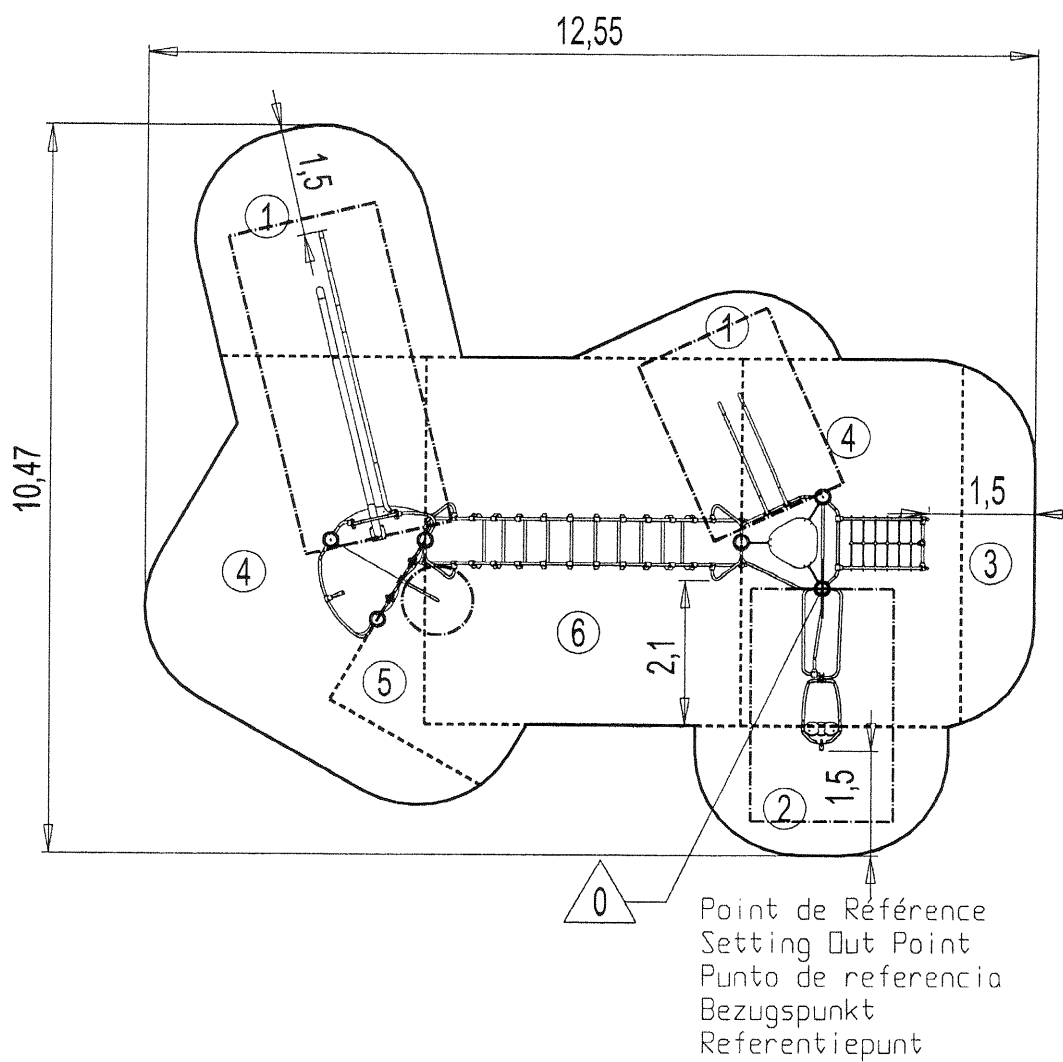
Proludic

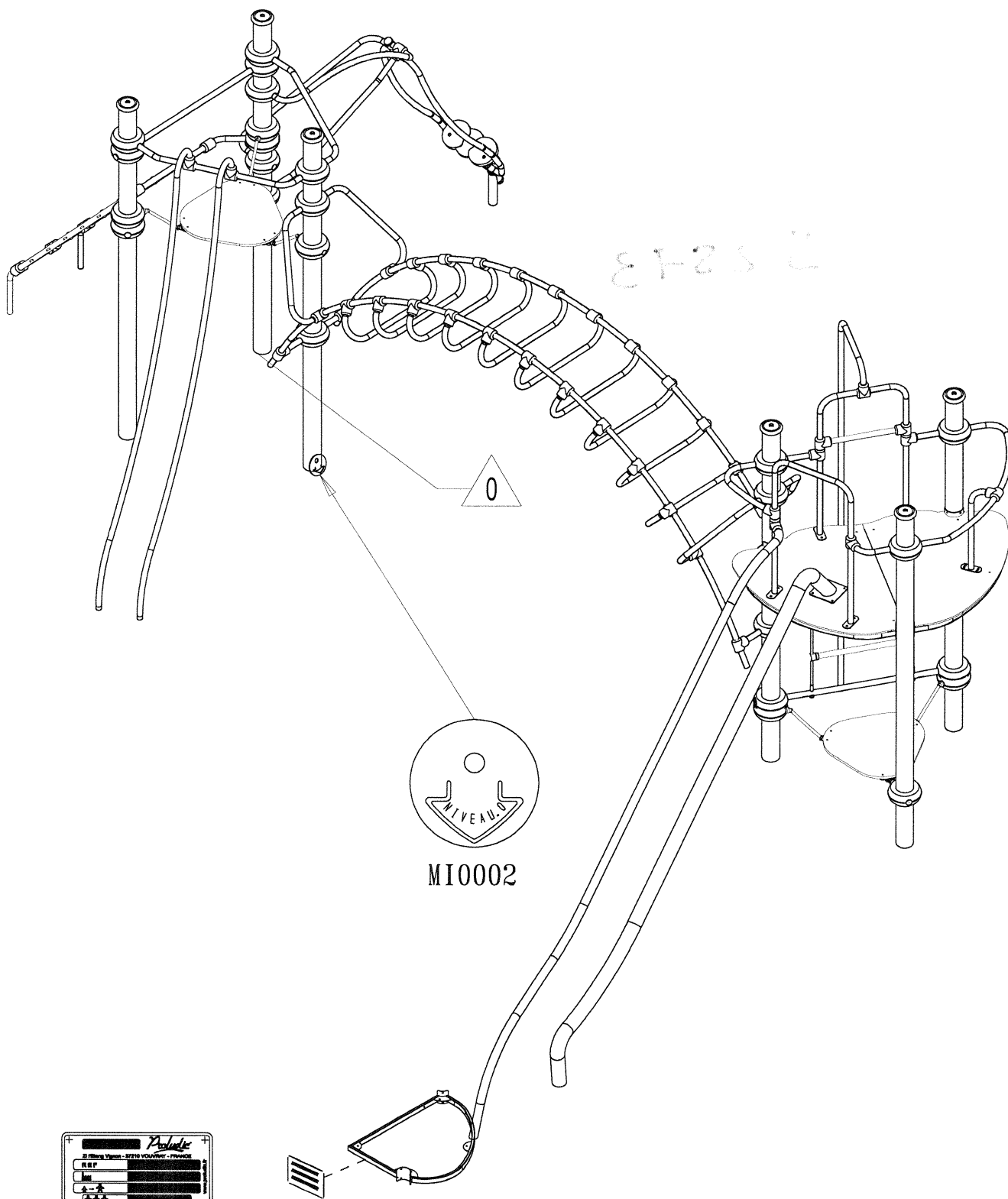
N°		
①	0.6 m	12.5 m ²
②	0.7 m	6 m ²
③	1 m	5 m ²
④	1.95 m	34 m ²
⑤	2.2 m	3 m ²
⑥	2.4 m	24 m ²

— Zone d'Impact
Impact Area
Area de Impacto
Fallraum
Valzone

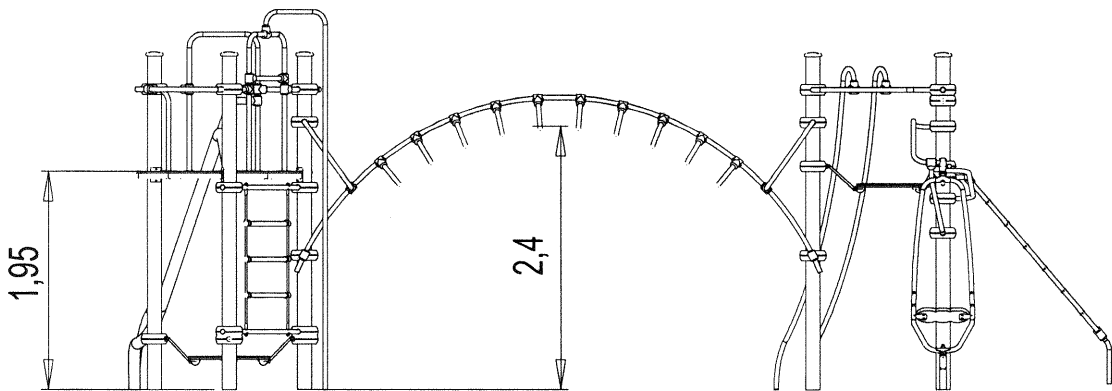
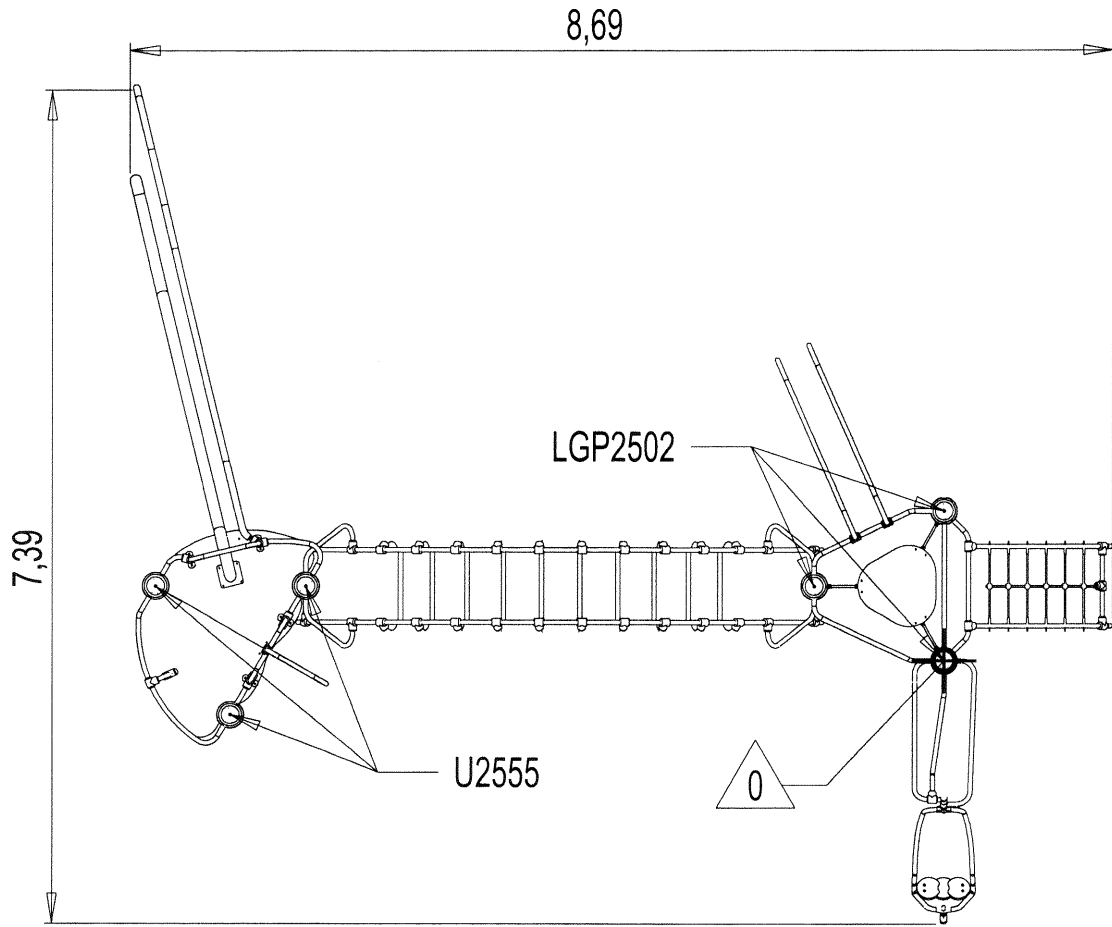
EN1176-1 : 2017

--- Espace libre
Free Space
Espacio Libre
Freiraum
Vrije ruimte

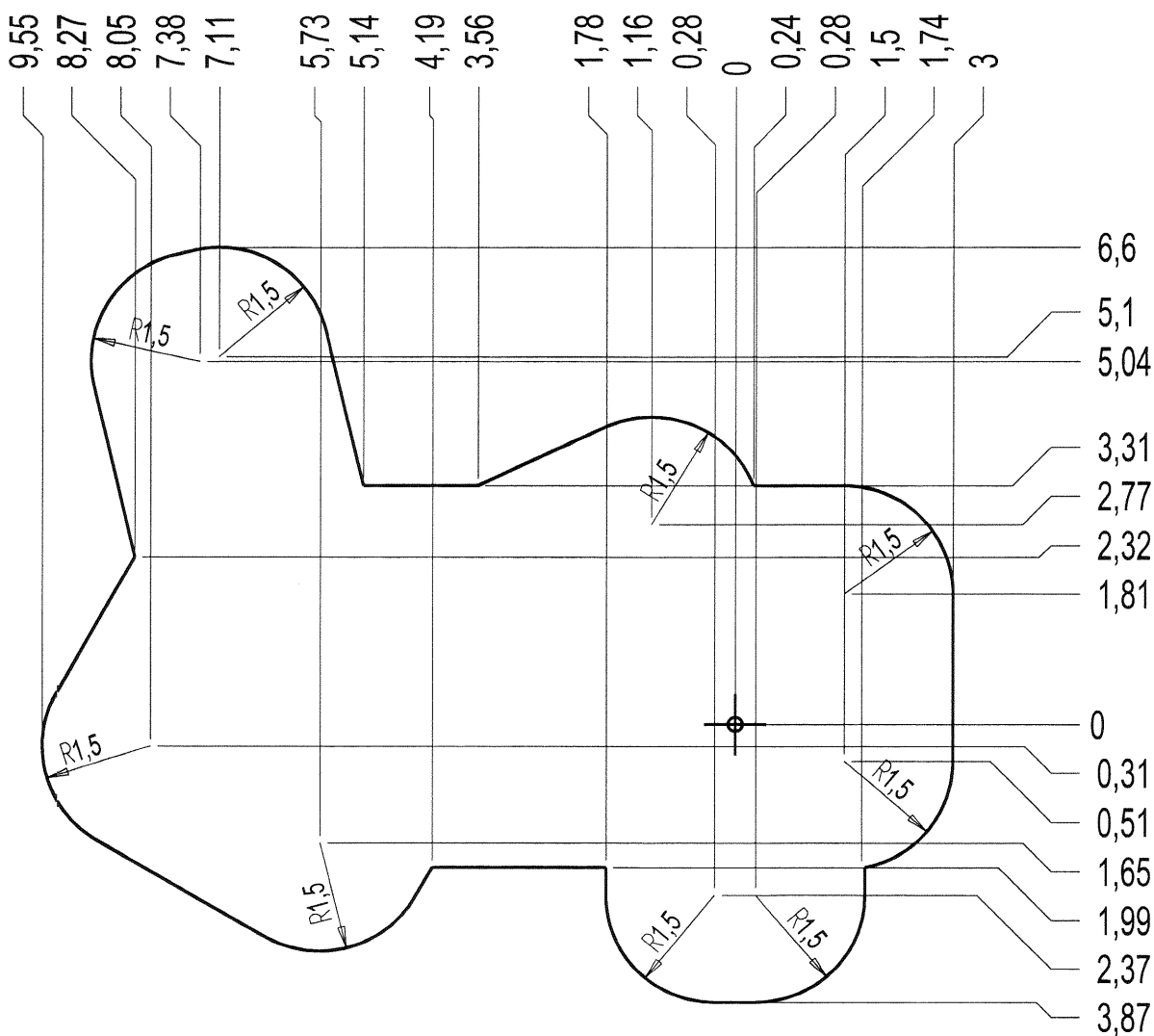




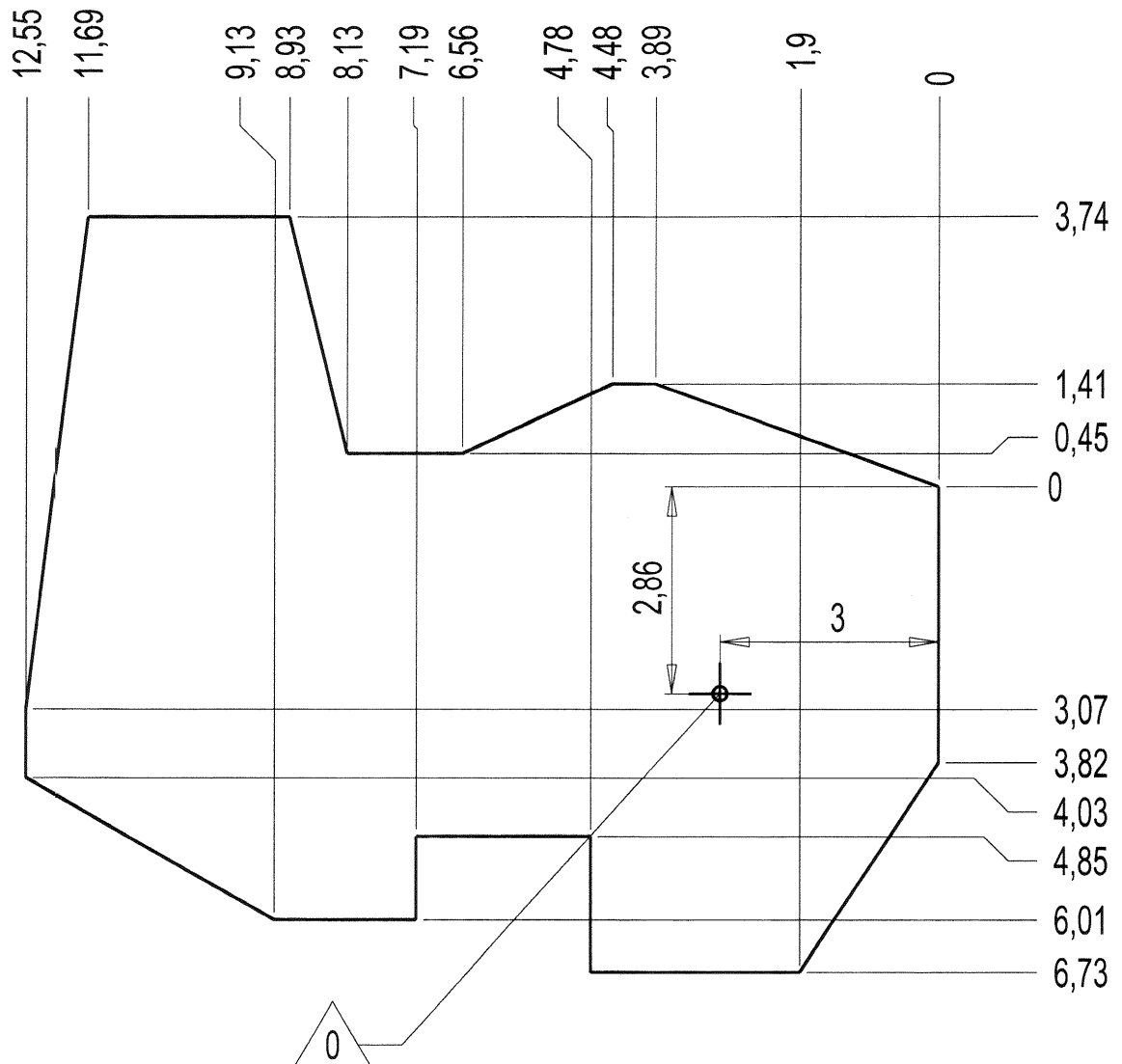
LA000



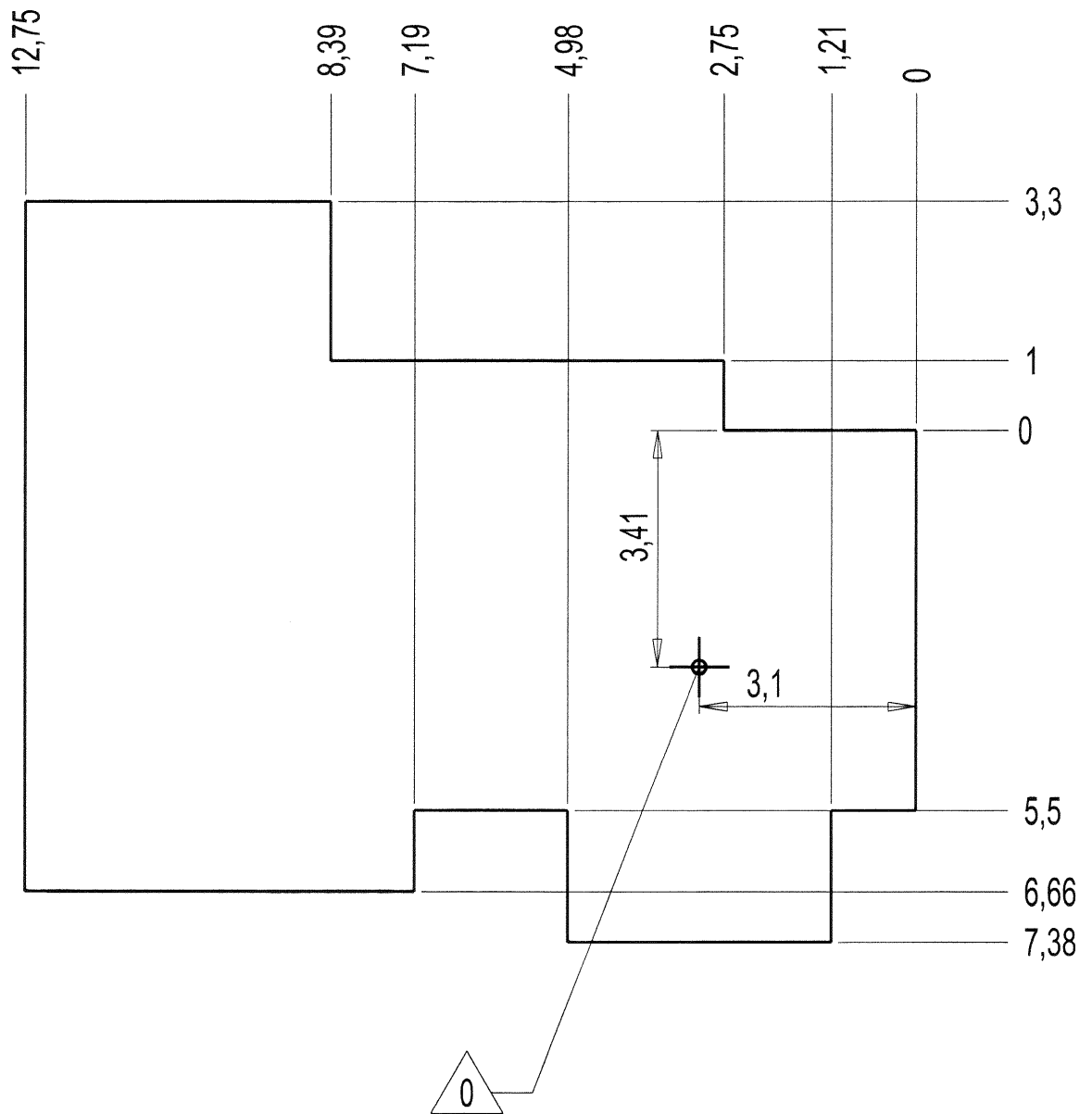
— Zone d'Impact **84.5 m²**
 Impact Area
 Area de Impacto
 Fallraum
 Valzone



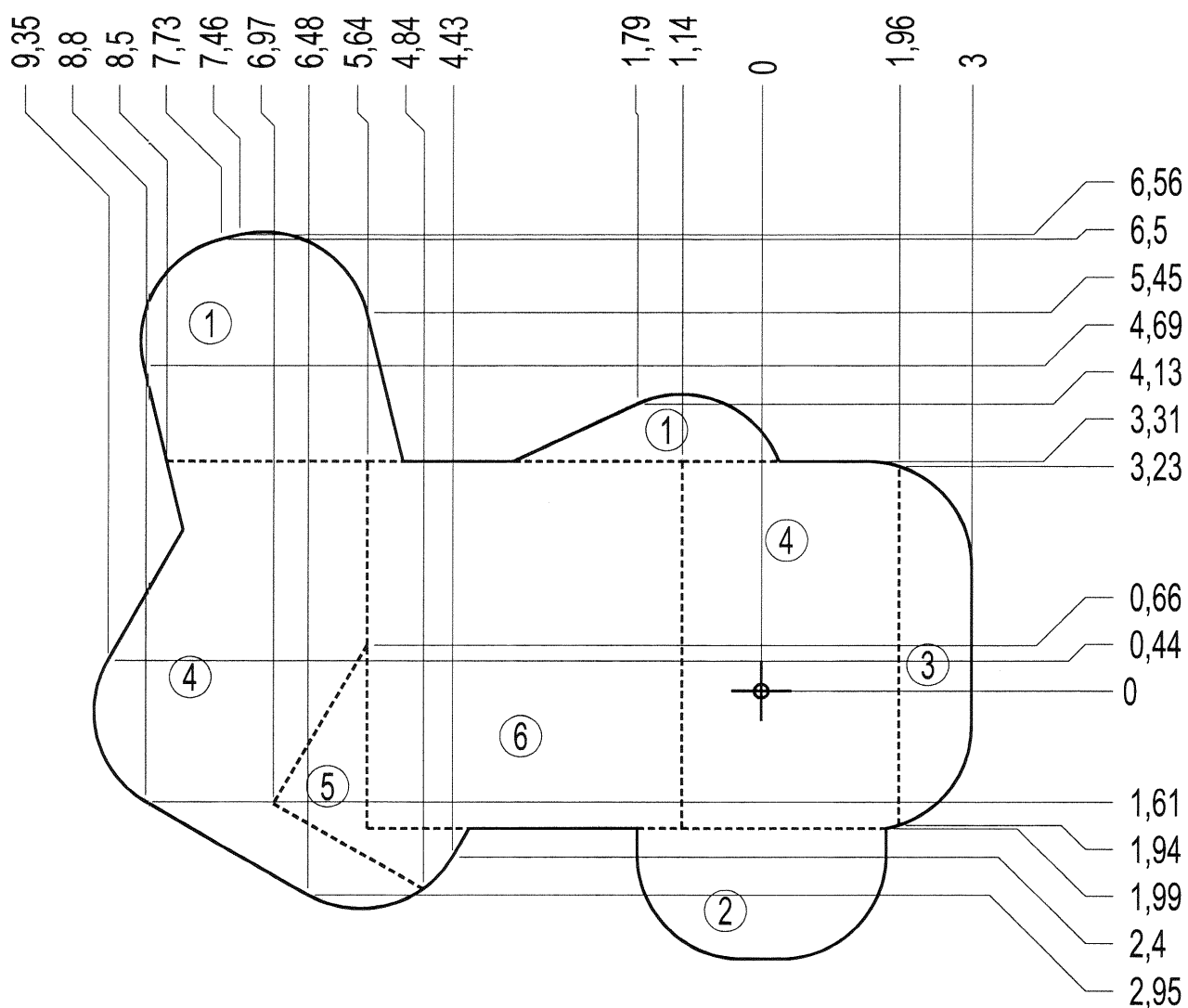
— Dalle béton 44 m
 Concrete pad 89 m²
 Solera de Hormigón
 Beton Bodenplatte
 Betonnen bodenplaat

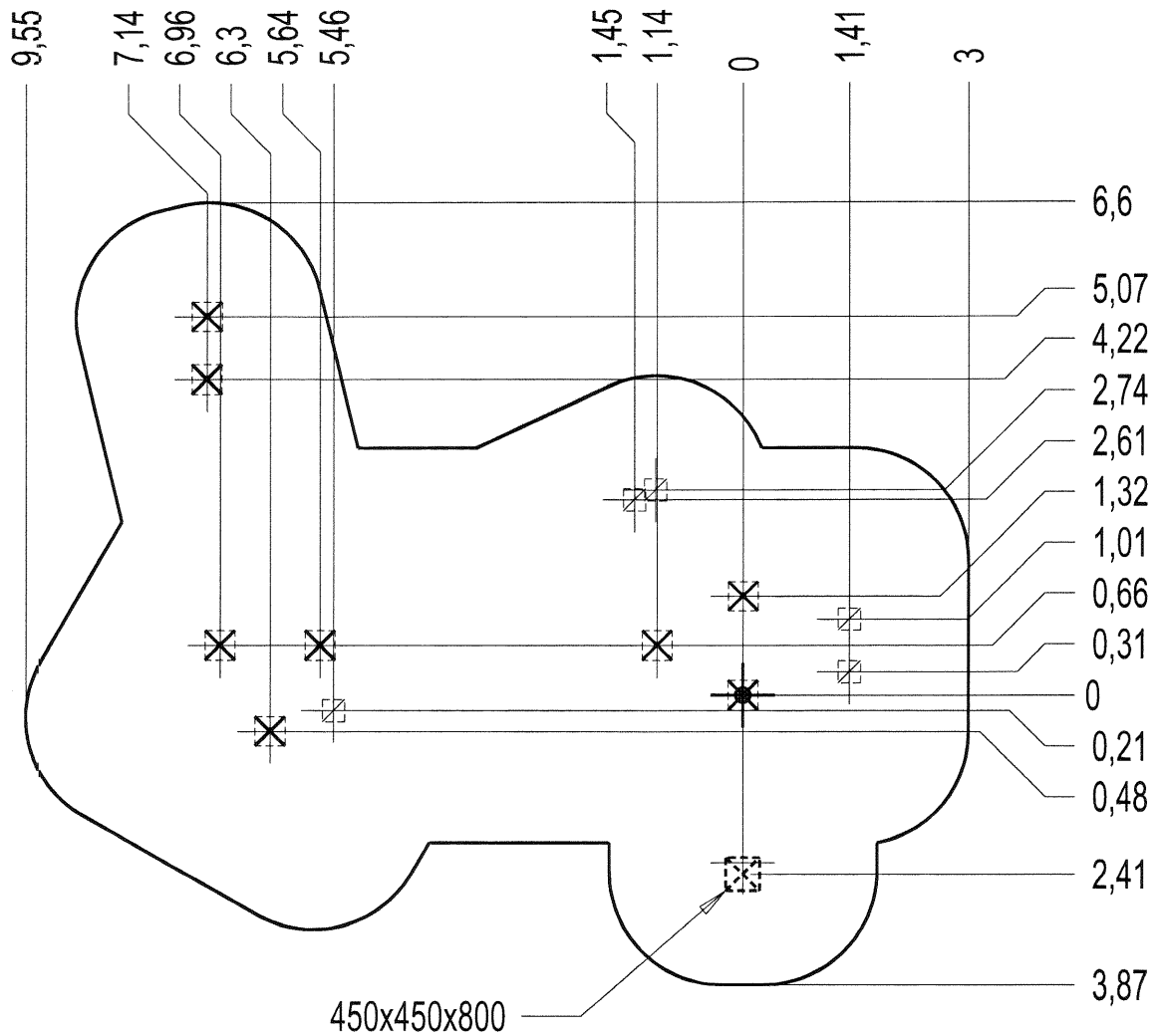


— Sol fluent 50 m
 Loose particle material 104 m²
 Arenero
 Loses Bodenmaterial
 Los bodenmaterial

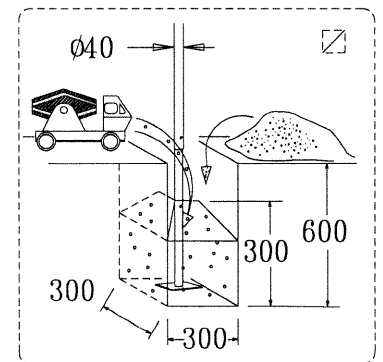
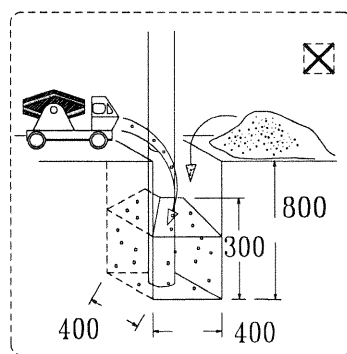




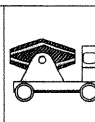
— Sol souple **84.5 m²**
 Wetpour
 Caucho Continuo
 Synthetischer Fallschutz
 Gietvloer

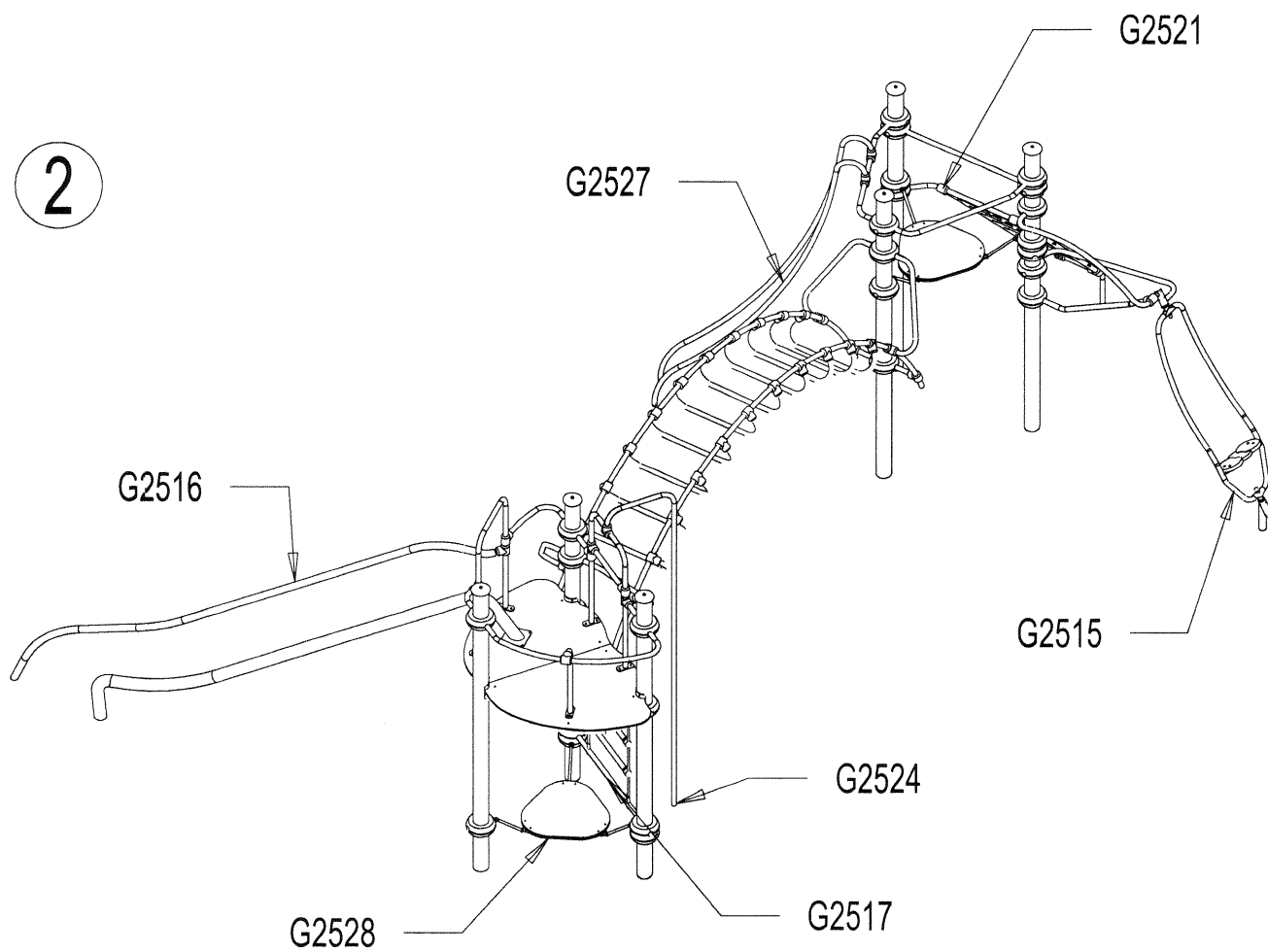
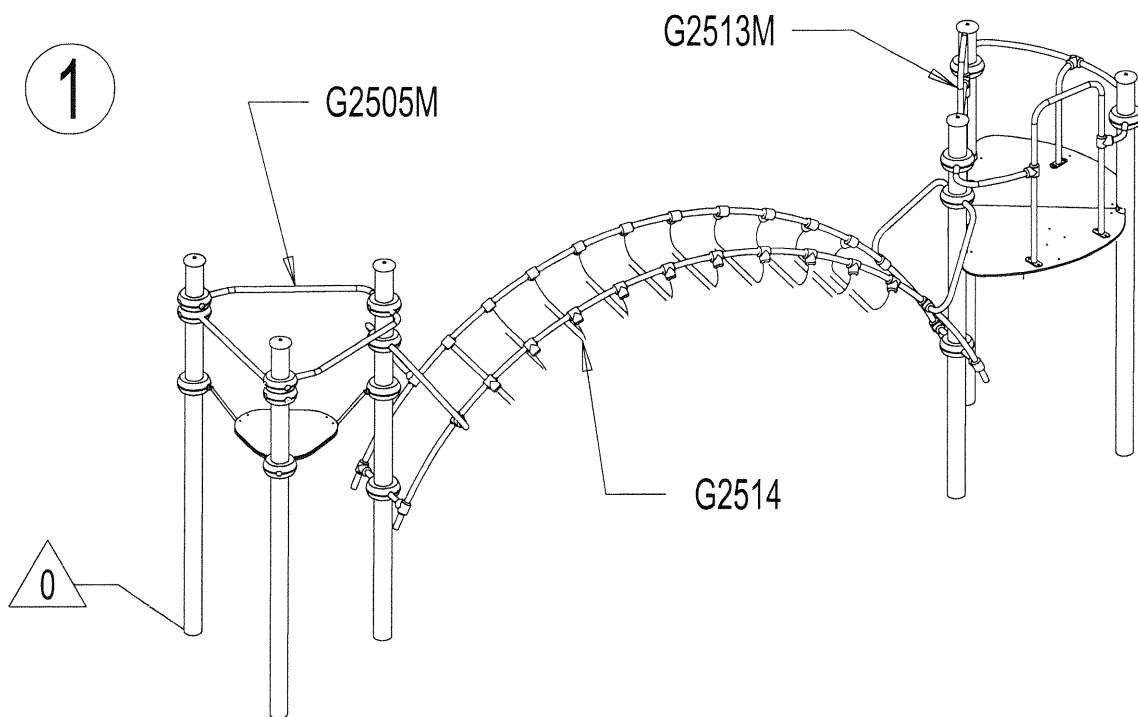


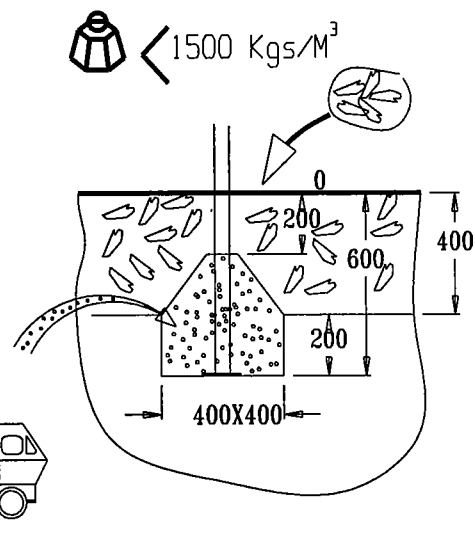
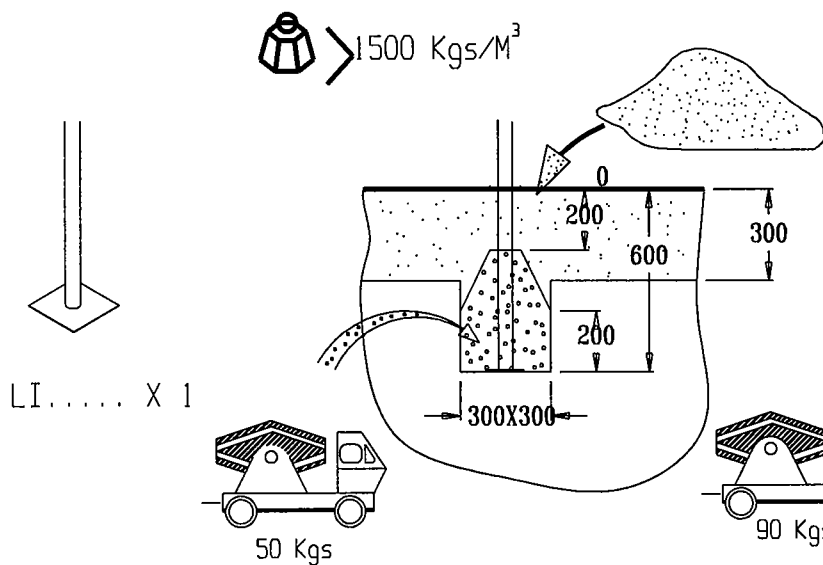
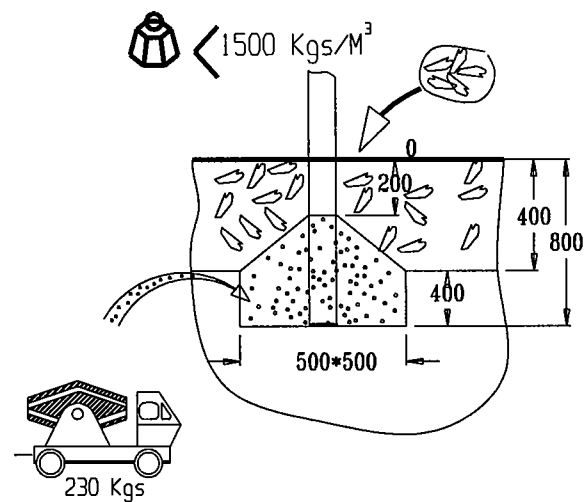
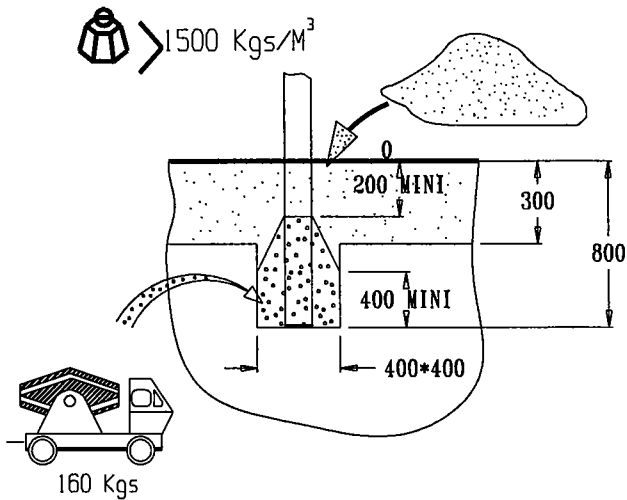
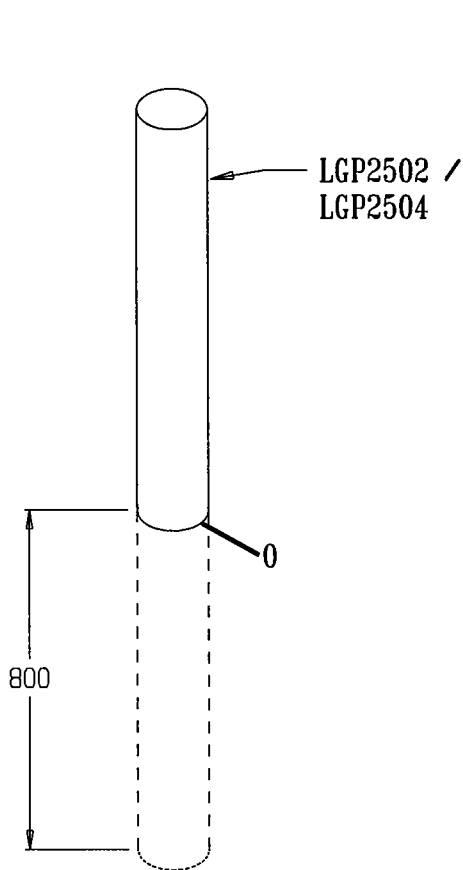


Implantation
 Footing plan
 Implantación
 Fundamentplan
 Funderingstekening

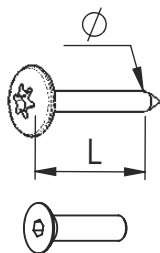


 x2
 20H
 0.6m³





LI..... X 1



VBT 6 x 30
 \varnothing \uparrow L (mm)

VFHC



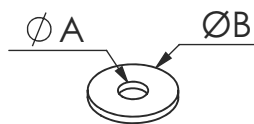
VEC M10
 \varnothing



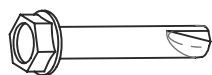
VEF



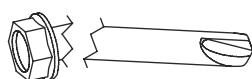
VEB



VR6x18
 $\varnothing A$ $\varnothing B$



VTHA

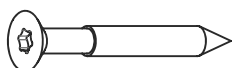


1000 - 1800 tr/min

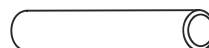
Vitesse de rotation
 Rotation speed

14 N.m

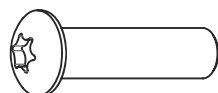
Couple de rupture
 Torque of break



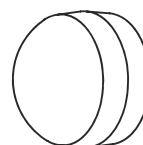
VWT



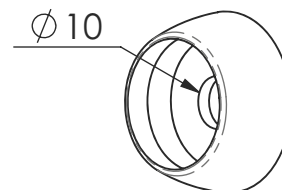
VGC



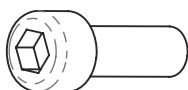
VCBHC



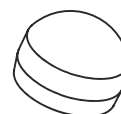
M10 440N



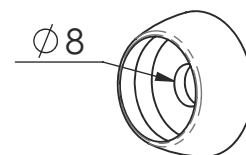
M10 310 N



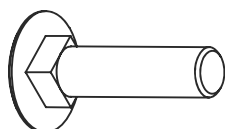
VBTR



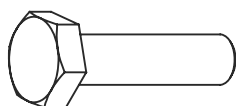
M8440N



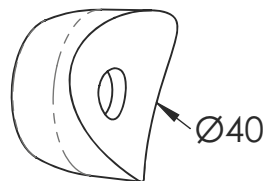
M8310N



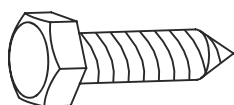
VTRCC



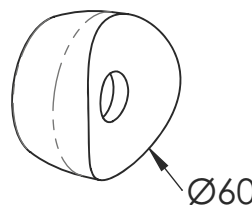
VTH



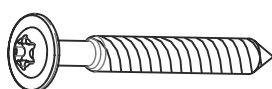
MI2503



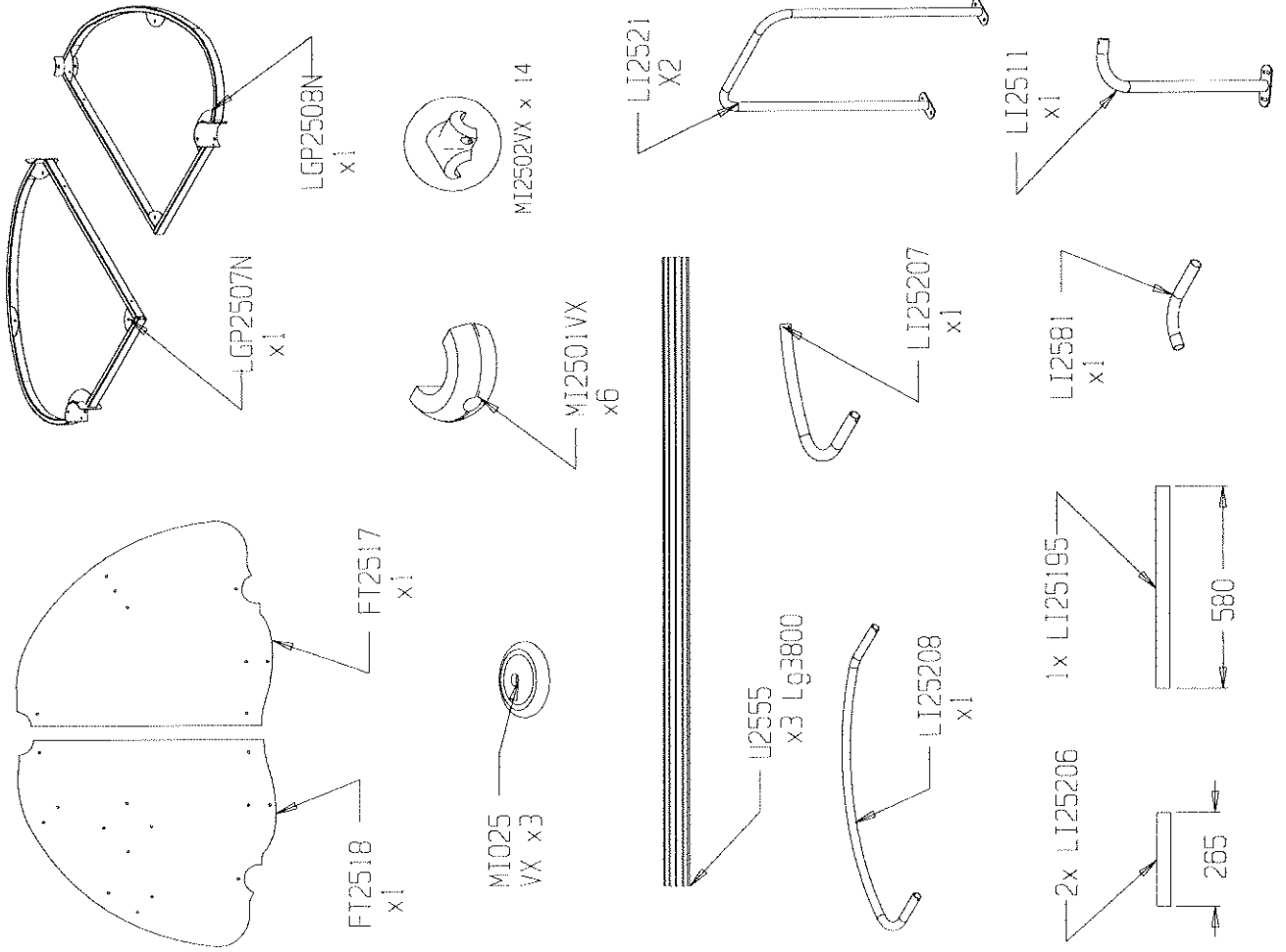
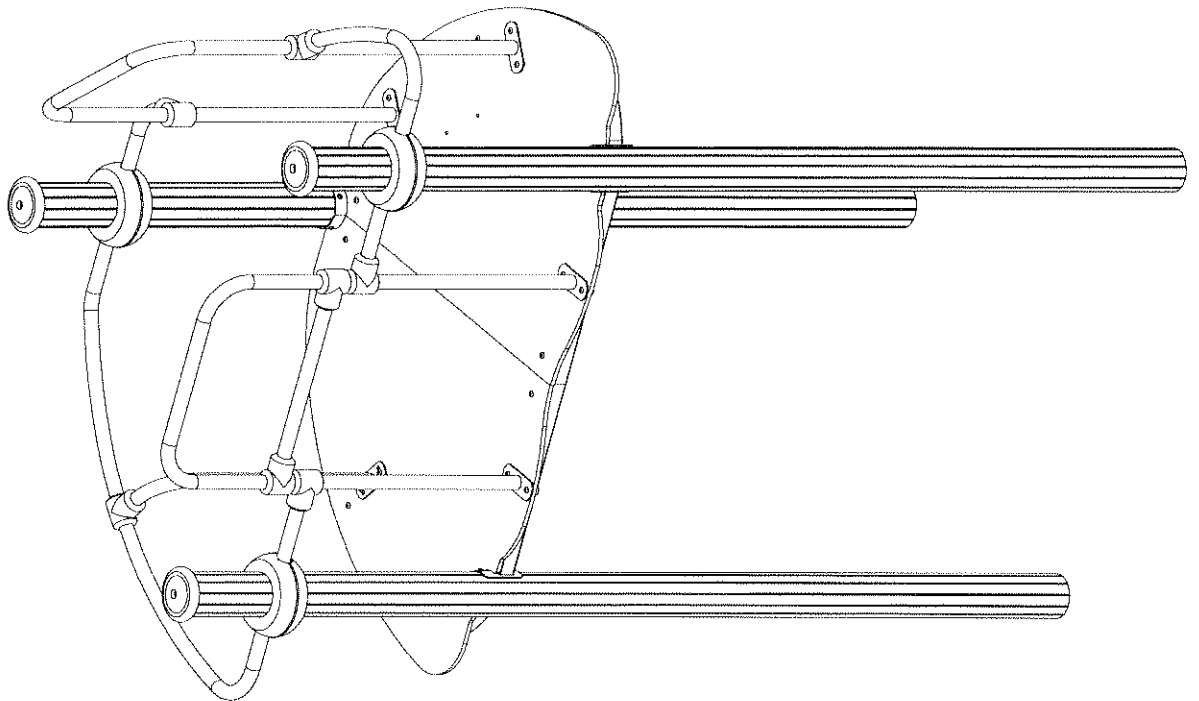
VTF

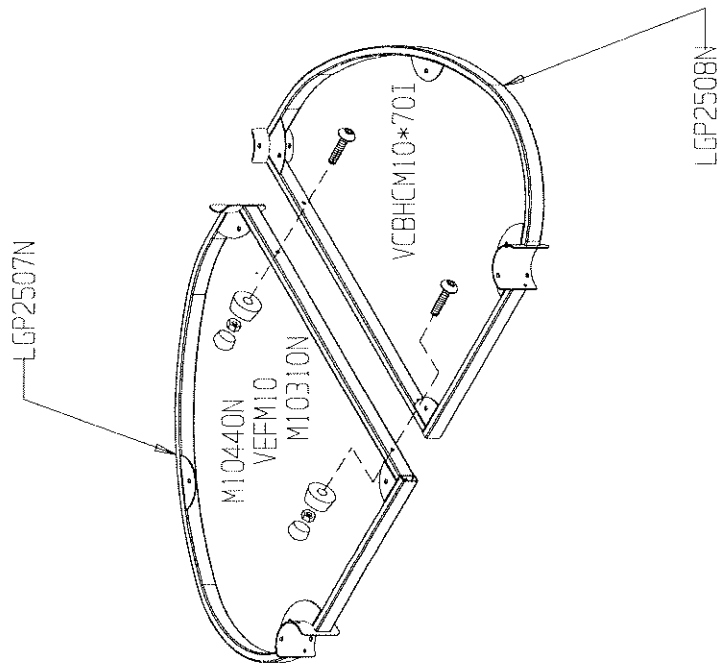


MI2701

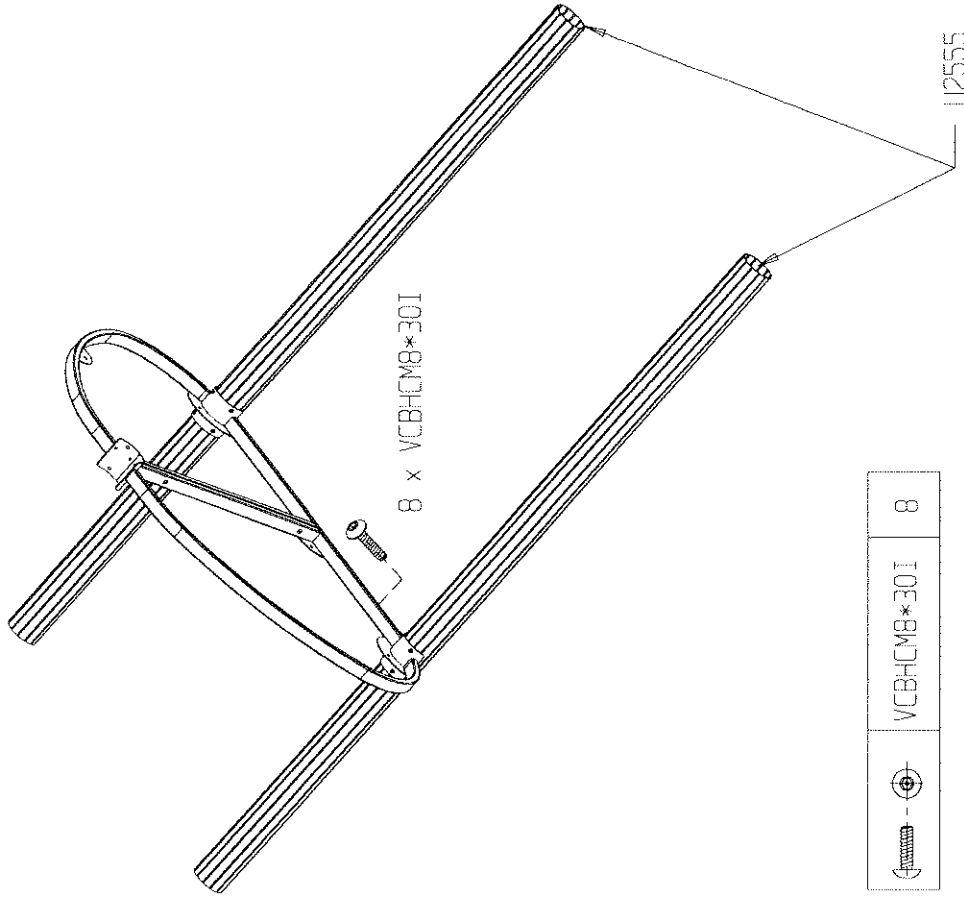


VBT

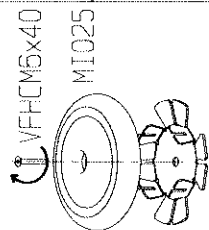




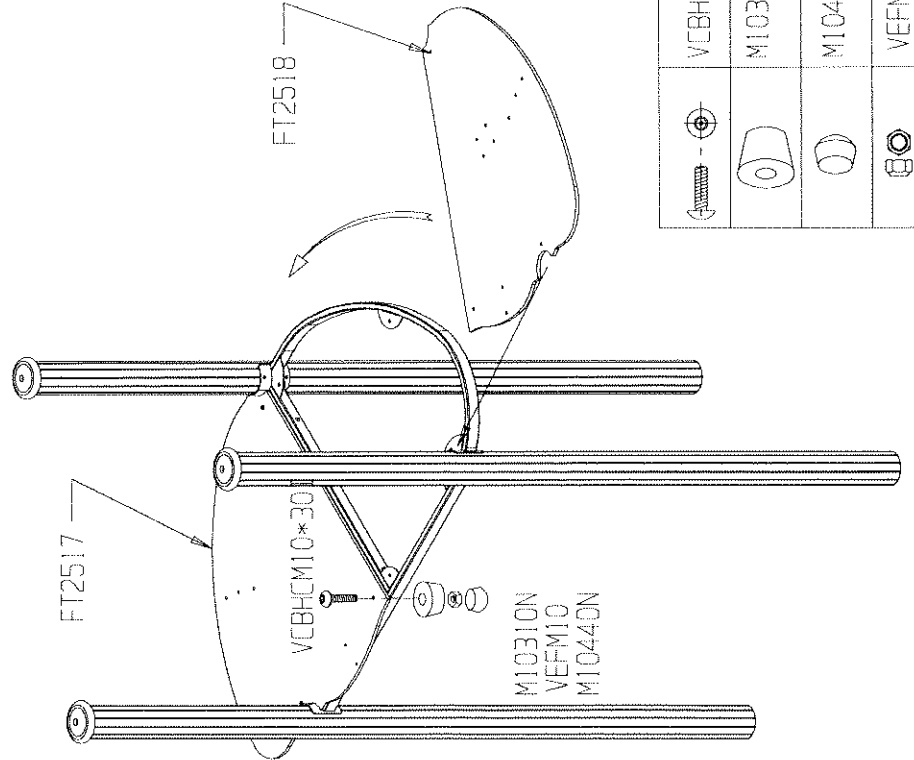
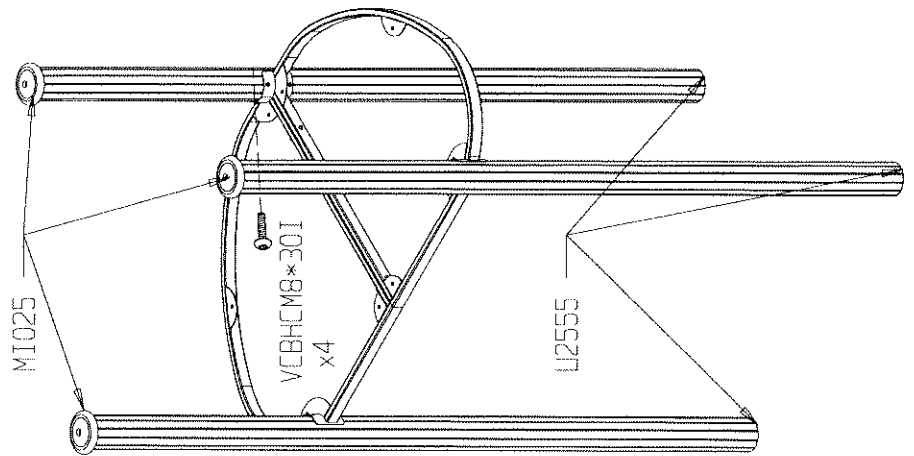
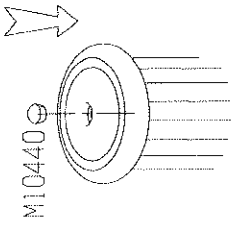
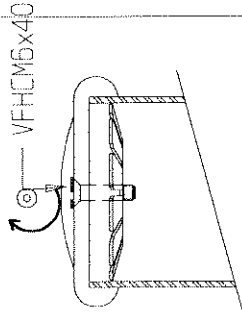
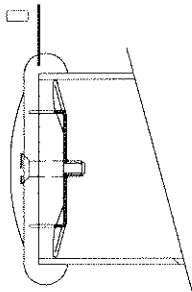
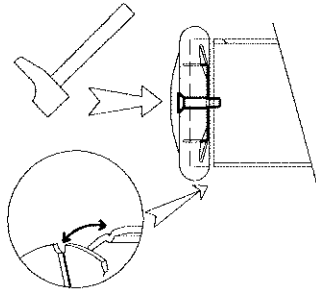
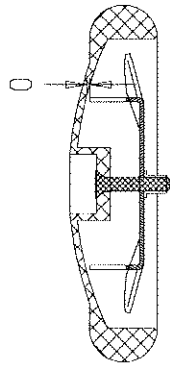
	M10310N	2
	M10440N	2
	VCBHC10*70.1	2
	VEFM10	2



	VCBHC10*31.0	8
--	--------------	---

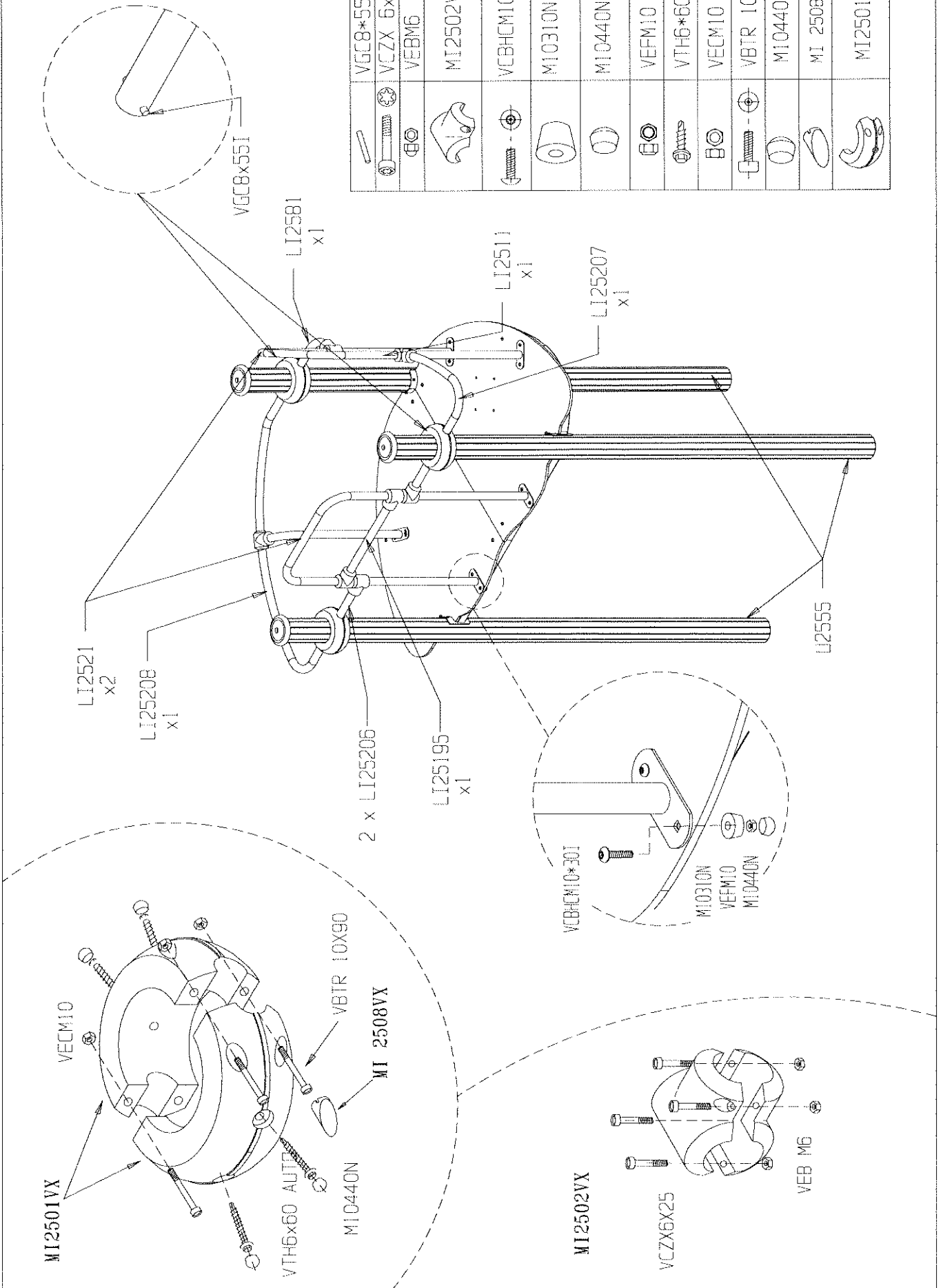


LG4412

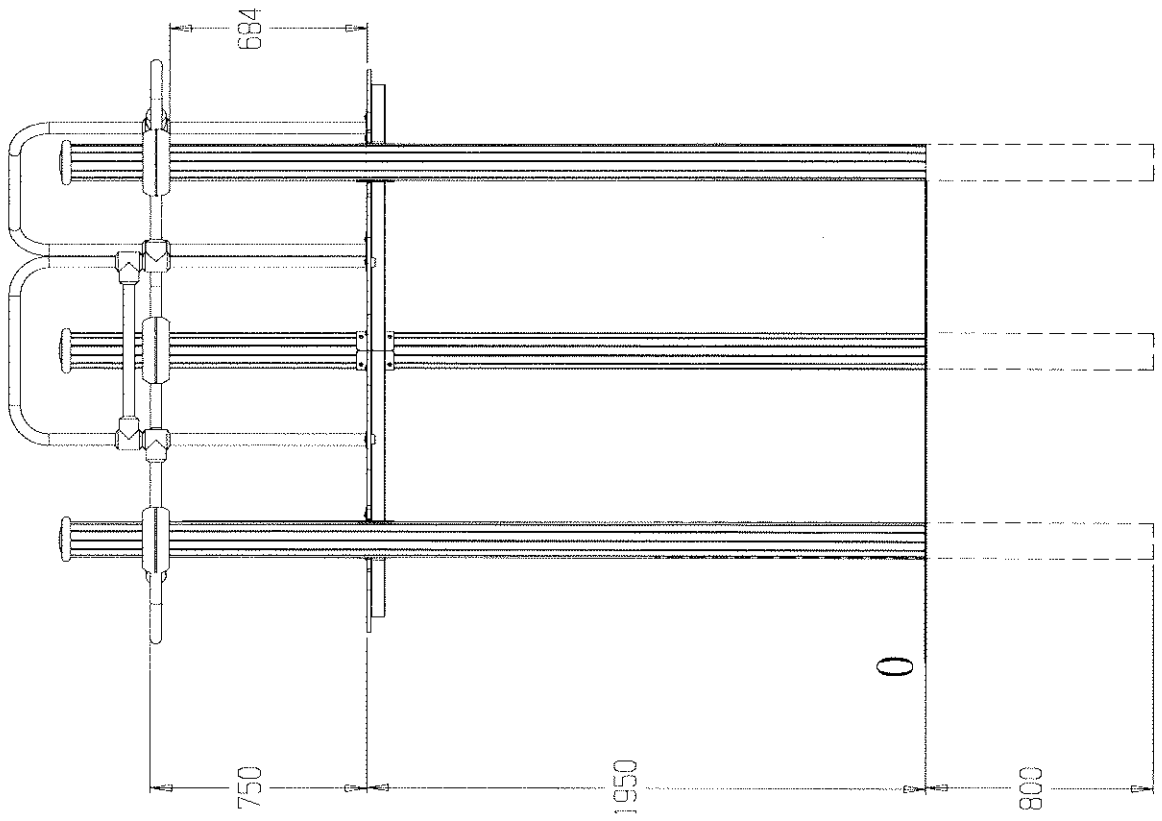
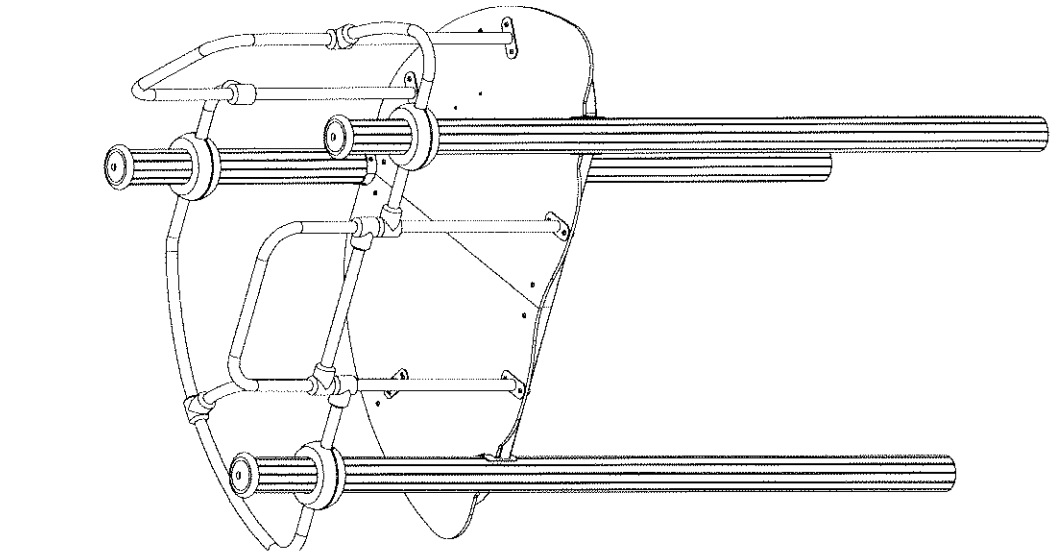


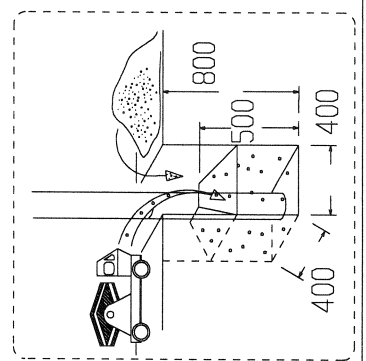
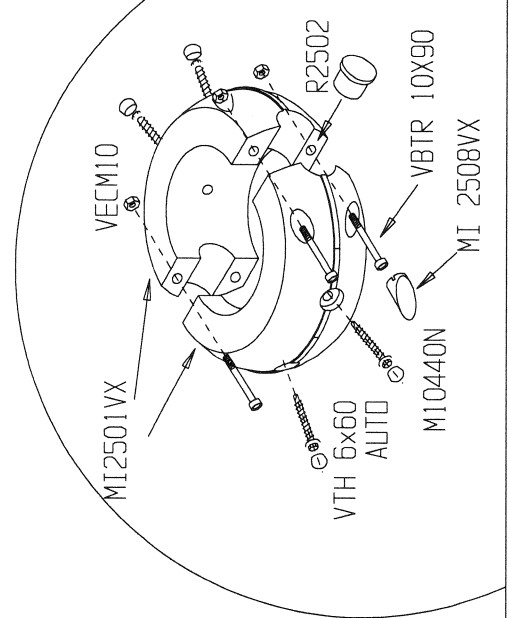
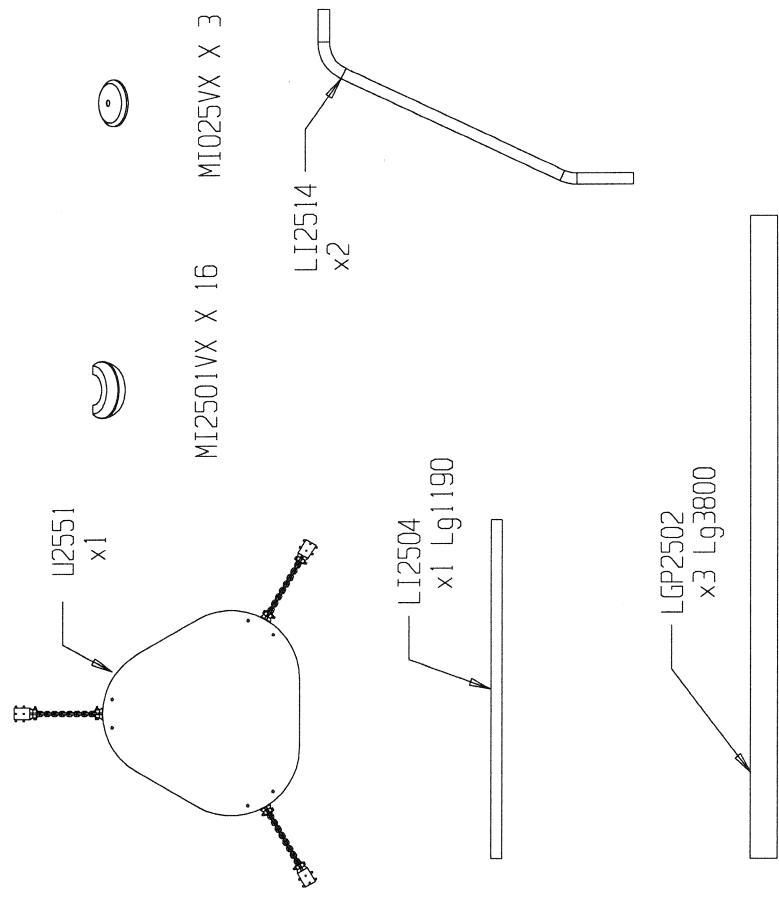
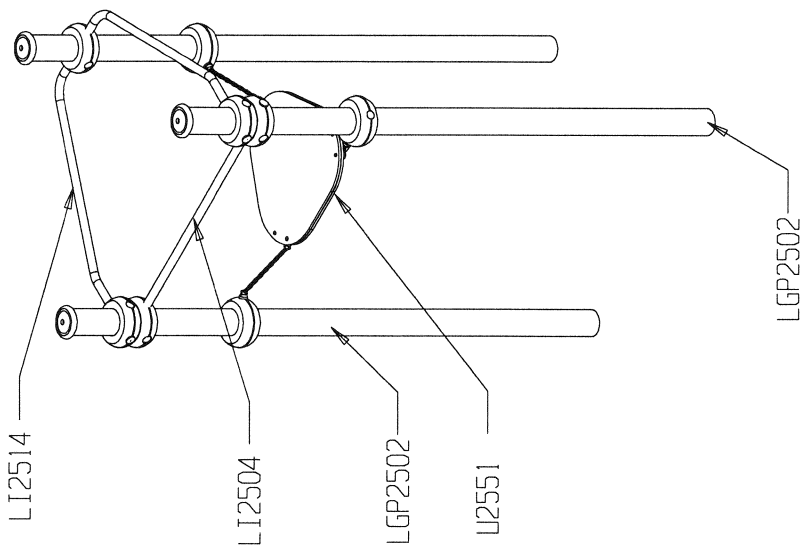
	VFHCM6x40	3
	MI 025WX	3
	M10440N	3
	LG4412	3
	VCBHCM8*30I	4

	VCBHCM10*30I	8
	M10310N	8
	M10440N	8
	VEFM10	8

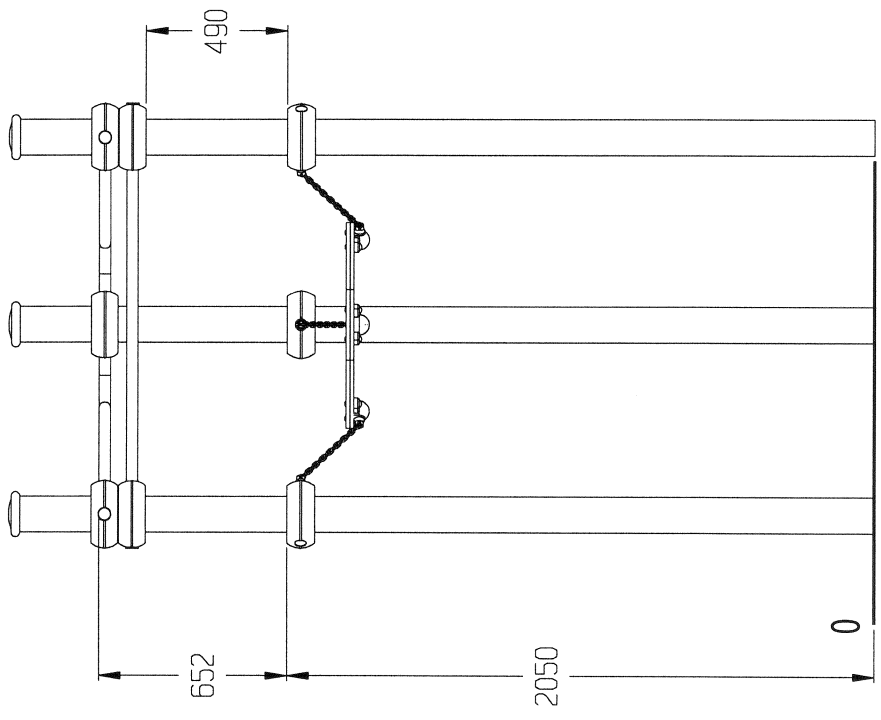
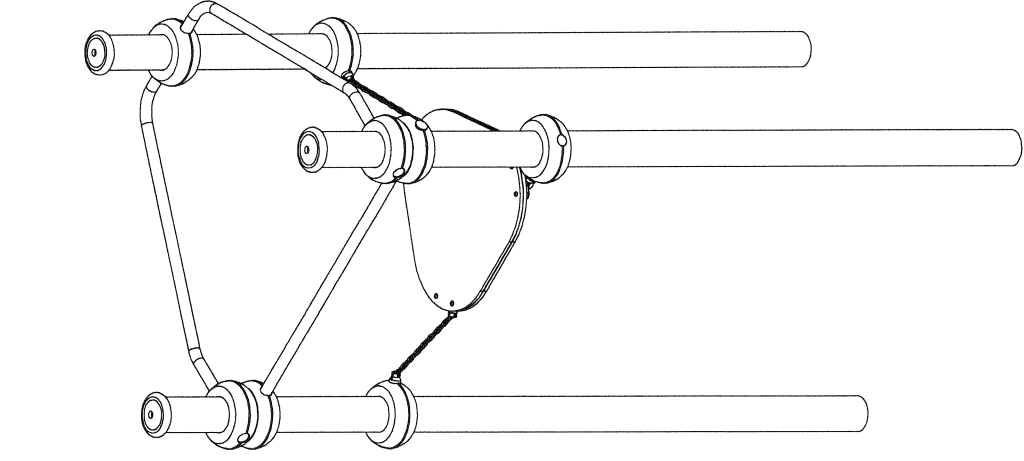


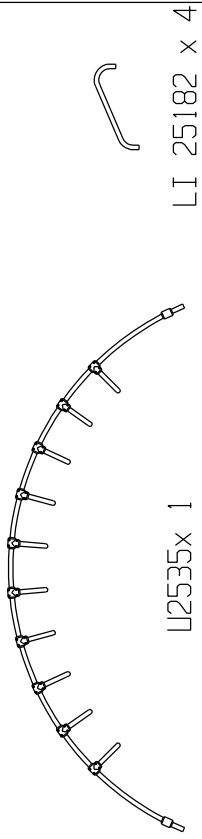
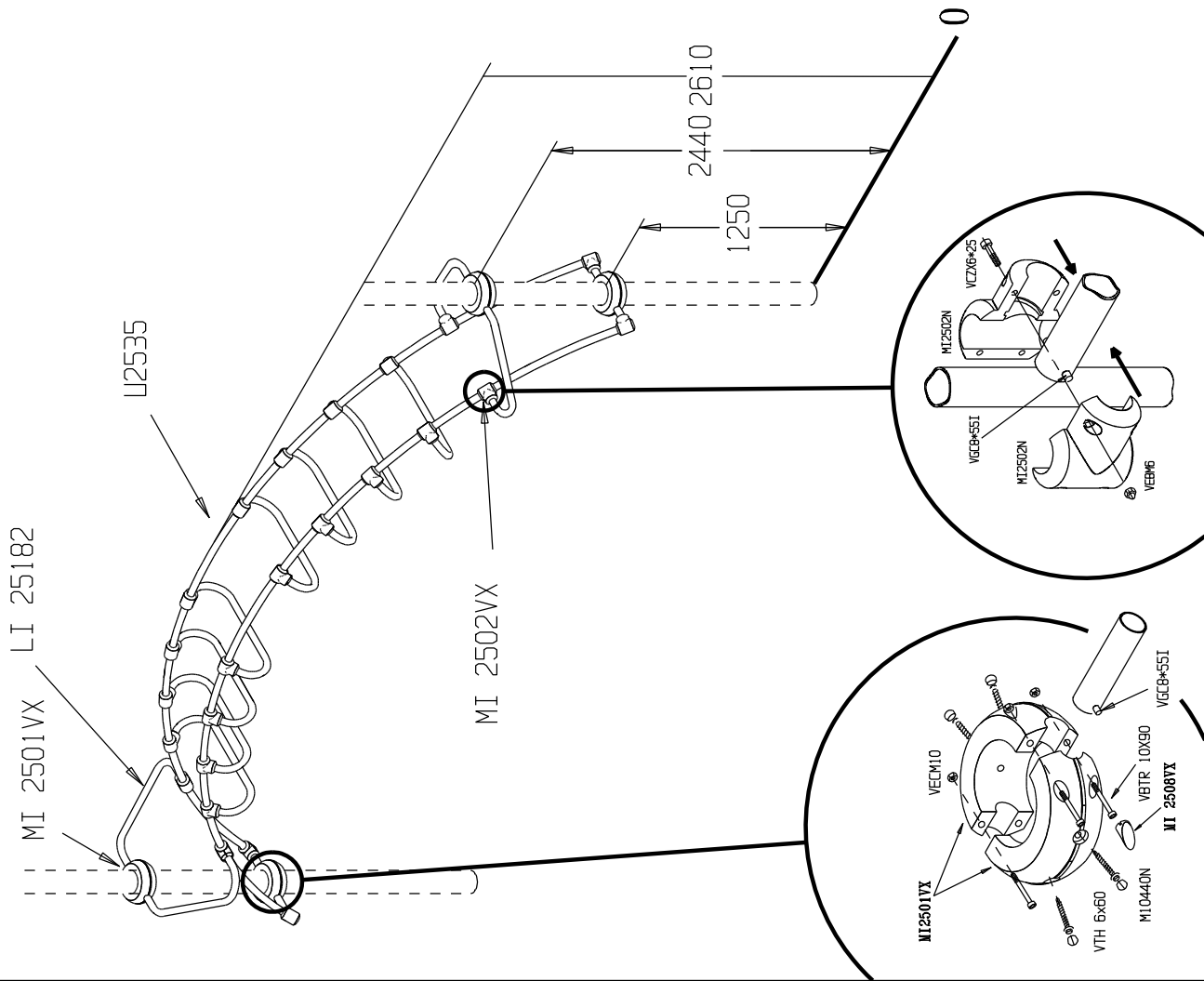
	VGC8*55I	4
	VCZX 6x25	28
	VEBM6	28
	MI2502VX	14
	VCBHC10*30I	10
	M10310N	10
	M10440N	10
	VEFM10	10
	VTH6*60 AUTTC	12
	VECM10	12
	VBTR 10x90	12
	MI0440N	12
	MI 2508VX	24
	MI2501VX	6





	VFHC6x40	3
	VTH6*60 AUTO	32
	VBTR 10x90	32
	M10440N	35
	R 2502	7
	MI 2508VX	64
	VECM10	32
	LG4412	3

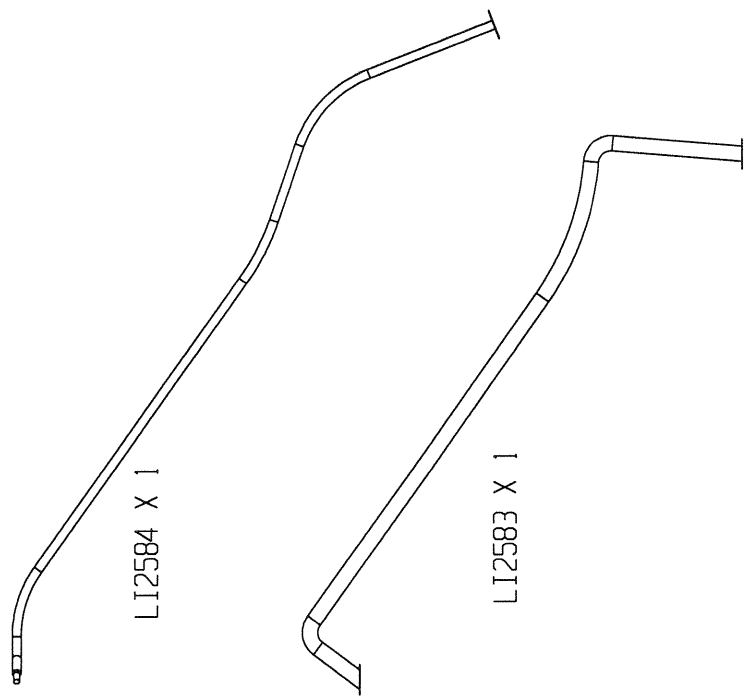
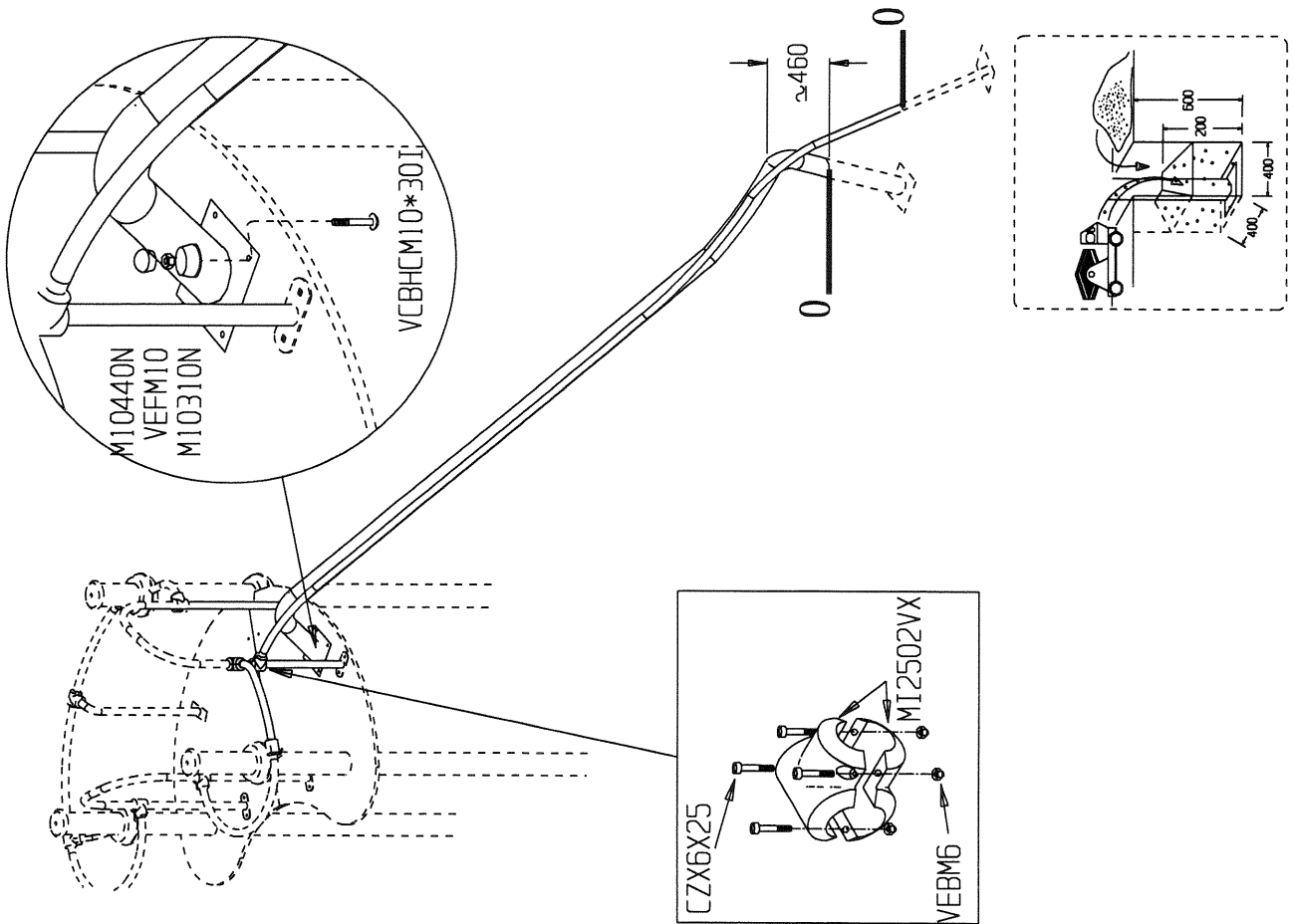




MI2501VX x 8

MI2502VX x 8

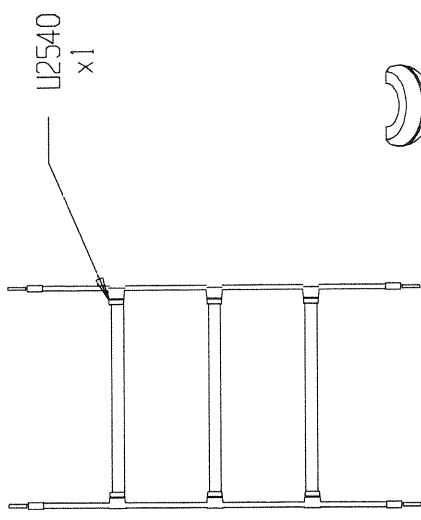
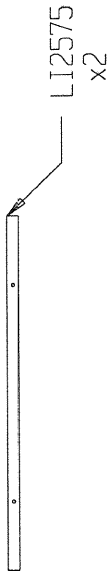
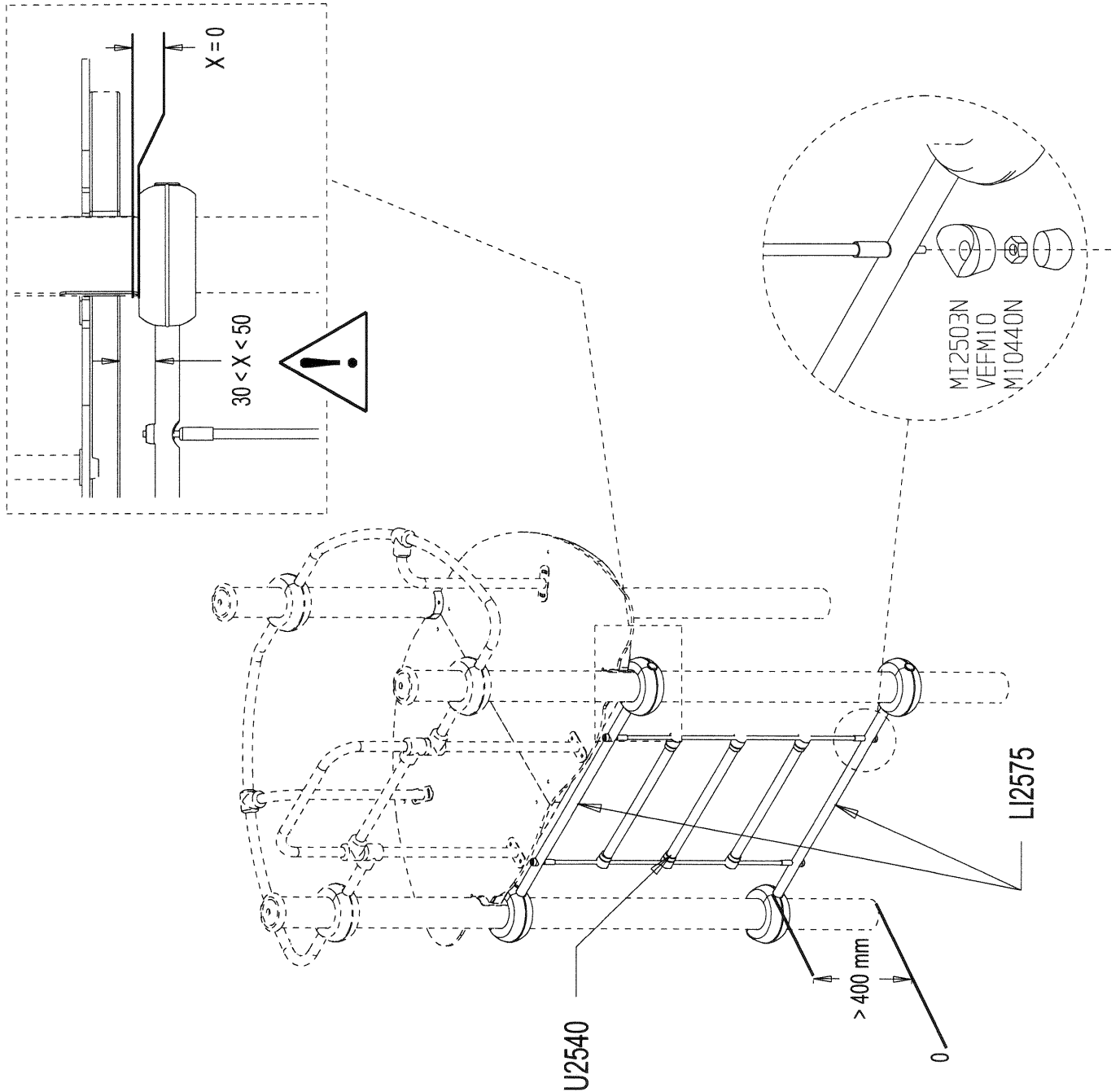
	VGC8*55I	12
	VTH6x60 AUTO	16
	VBTR 10x90	16
	VCZX 6x25	16
	M10440N	16
	VECM10	16
	VEBM6	16
	MI 2508VX	32



	VEFM10	4
	VCBHC10*30I	4
	VCZX 6x25	4
	VEBM6	4
	M10310N	4
	M10440N	4

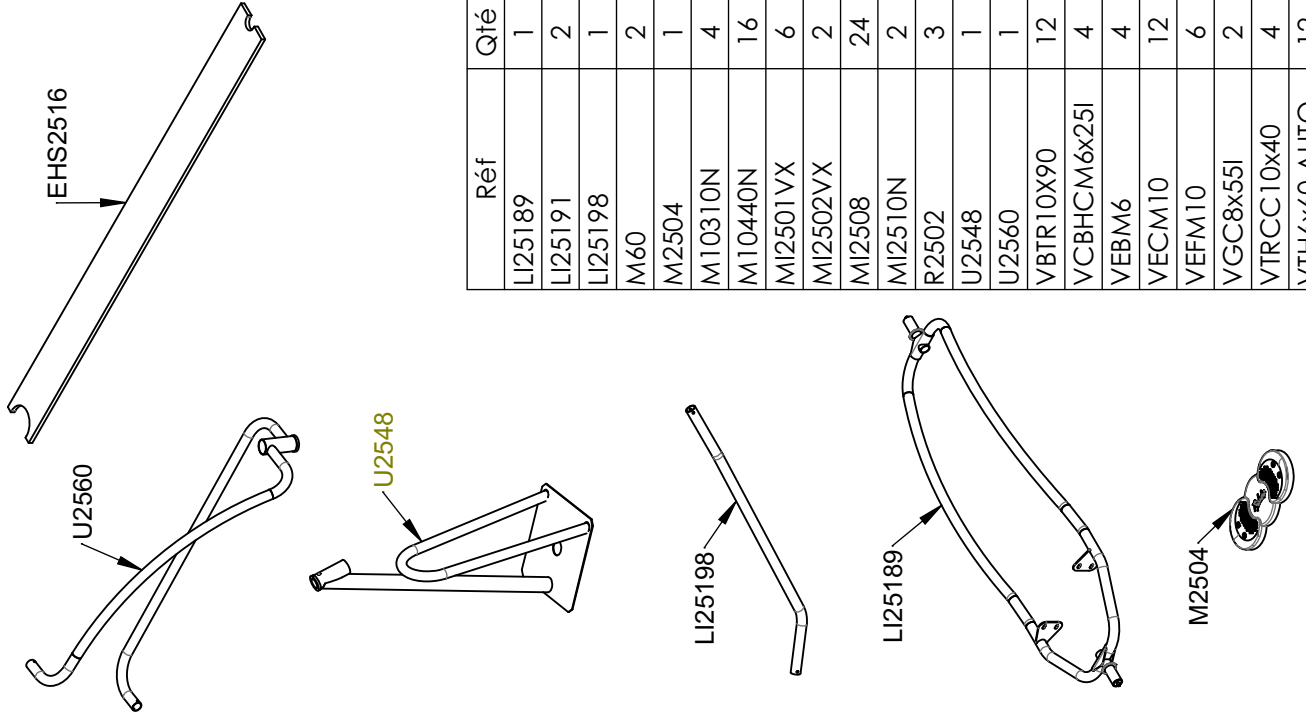
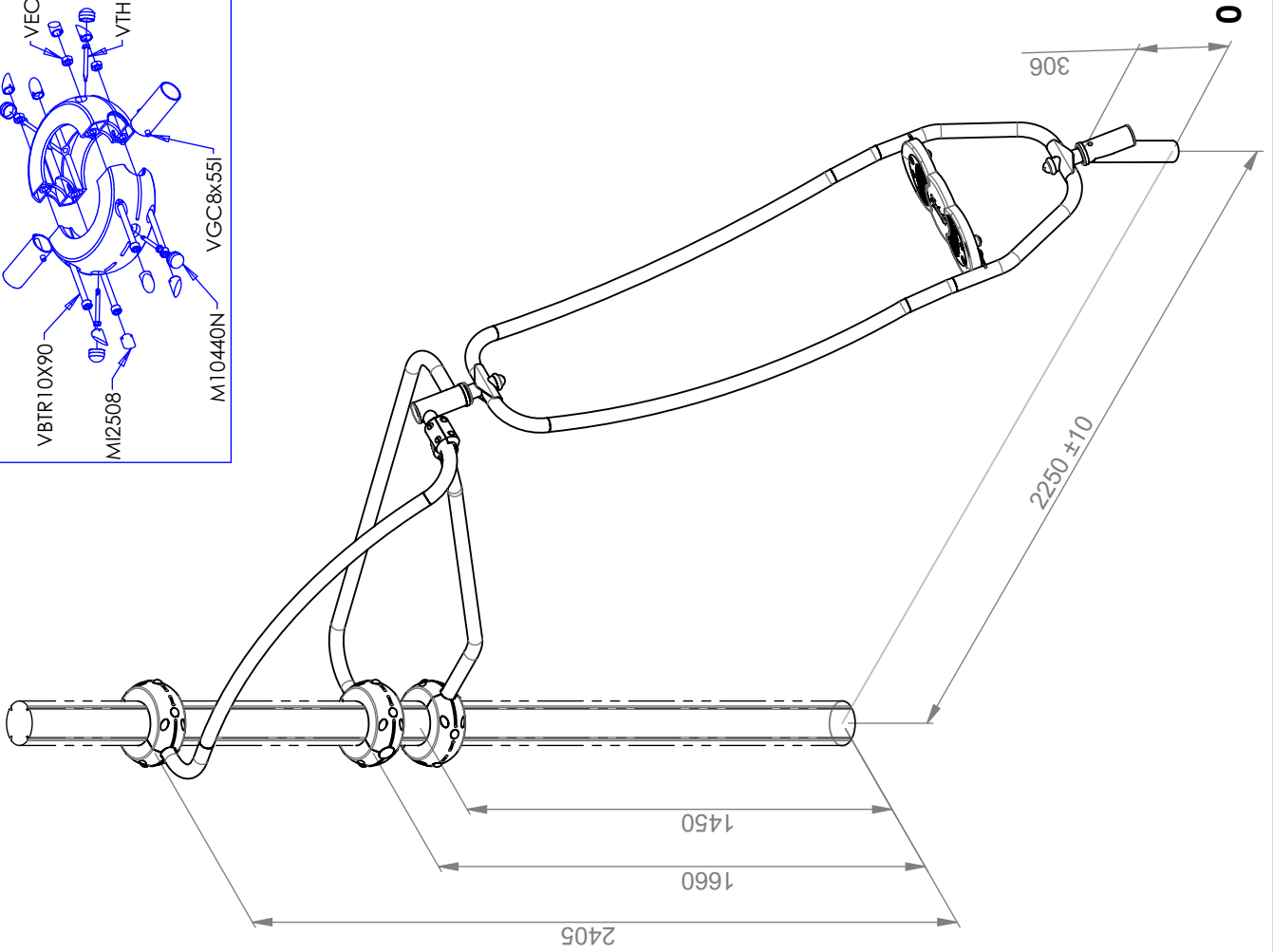


MI2502VX X 2



MI2501VX x 8

	VECM10	16
	VBTR 10x90	16
	VTH 6x60 AUTO	16
	MI2503 N	4
	M10440 N	20
	VEFM10	4
	MI 2508VX	32
	R 2502	4

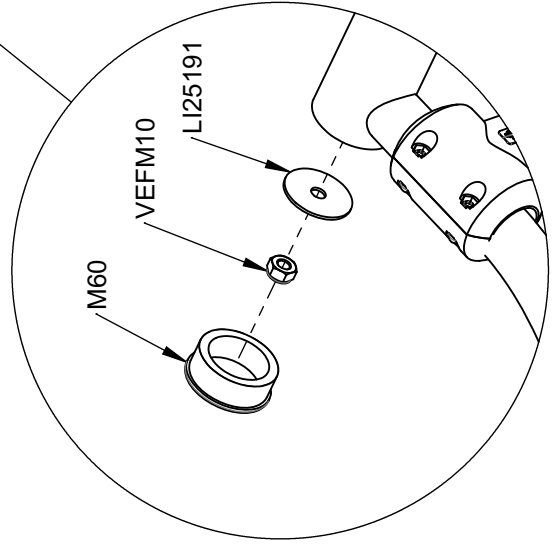
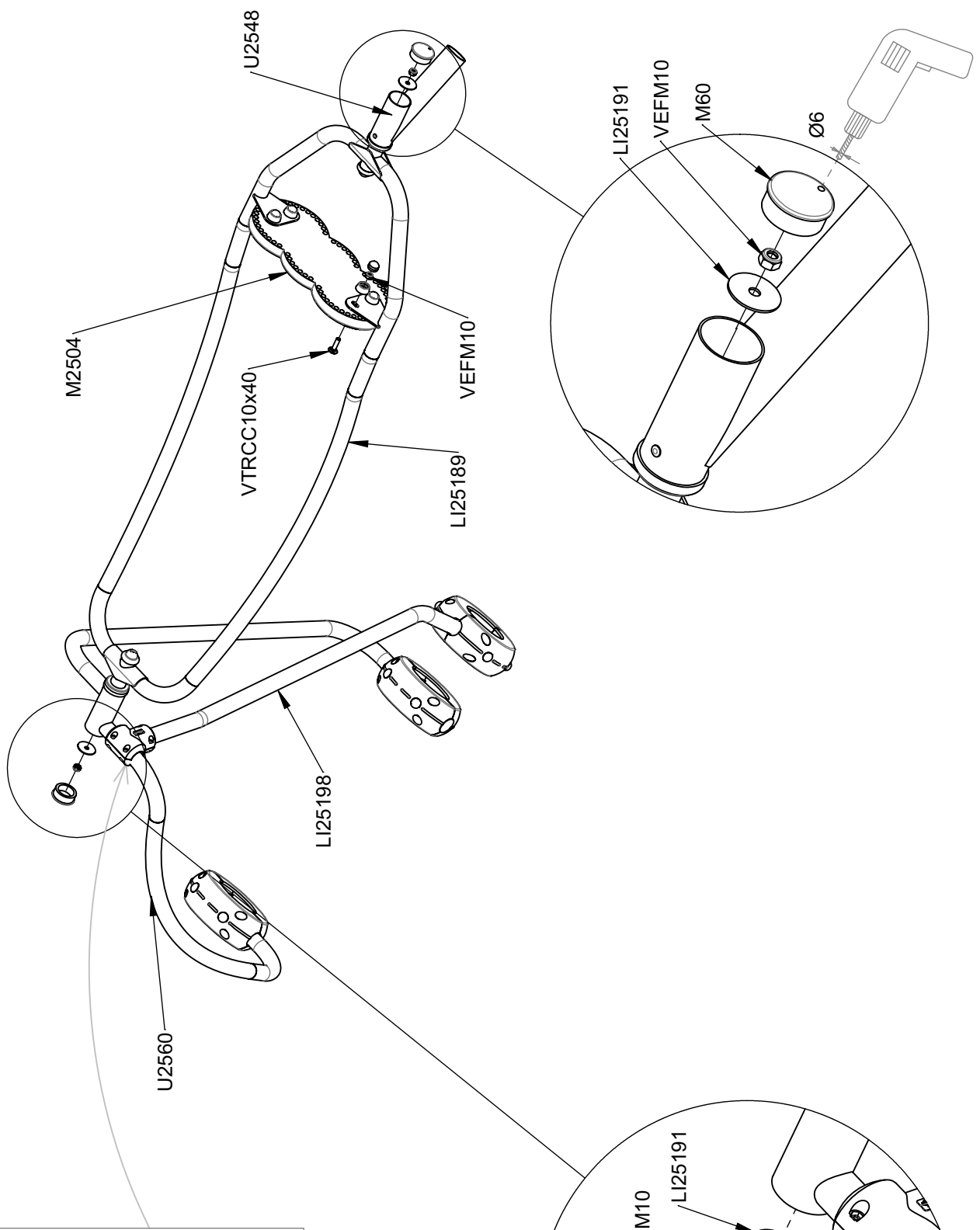
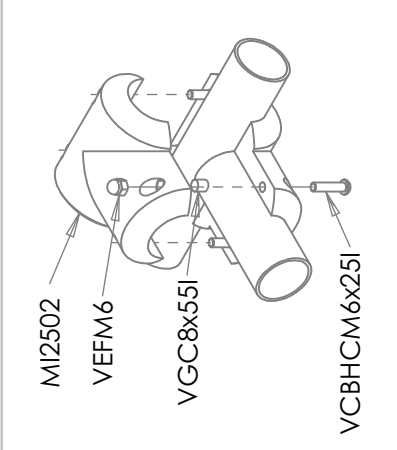


Réf	Qté
L125189	1
L125191	2
L125198	1
M60	2
M2504	1
M10310N	4
M10440N	16
M12501VX	6
M12502VX	2
M12508	24
M12510N	2
R2502	3
U2548	1
U2560	1
VBTR10X90	12
VCBHC6x25I	4
VEBM6	4
VECM10	12
VEFM10	6
VGC8x55I	2
VTRCC10x40	4
VTH6x60 AUTO	12

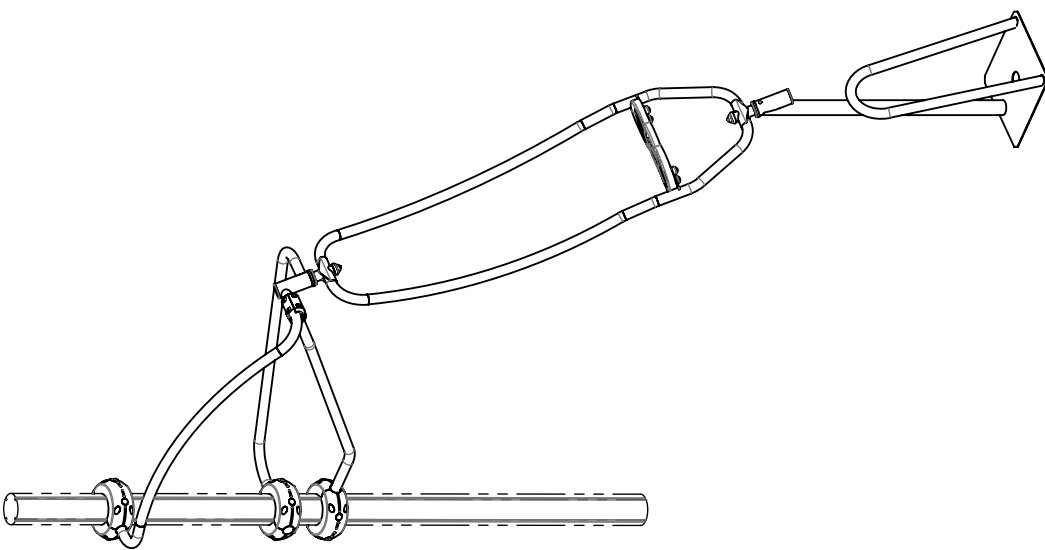
G2515M

2 / 3

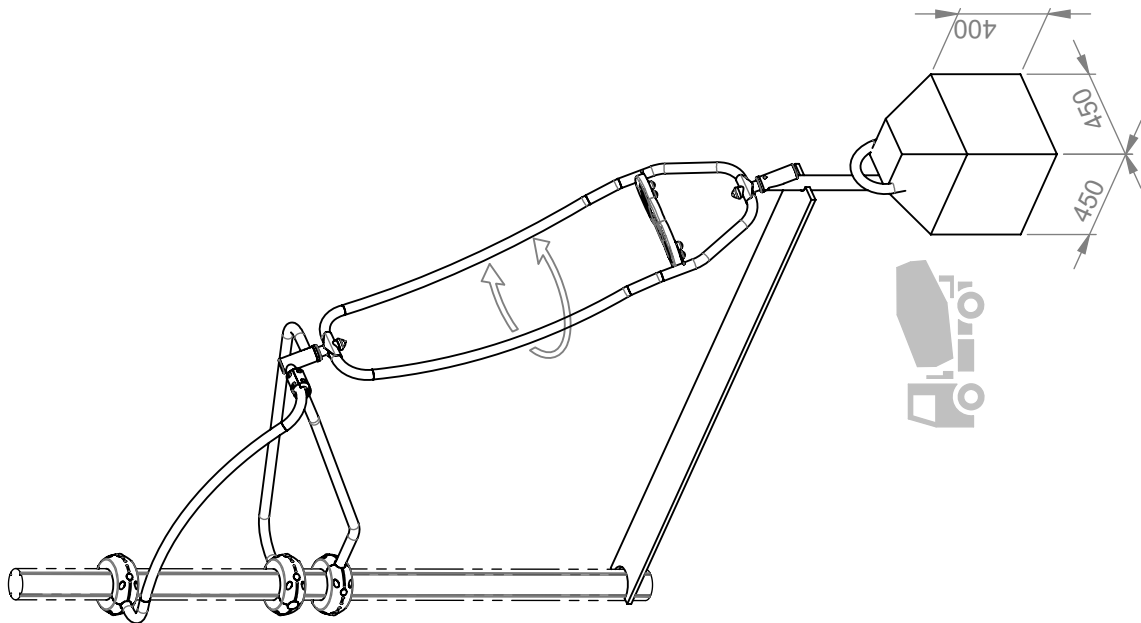
Prologic



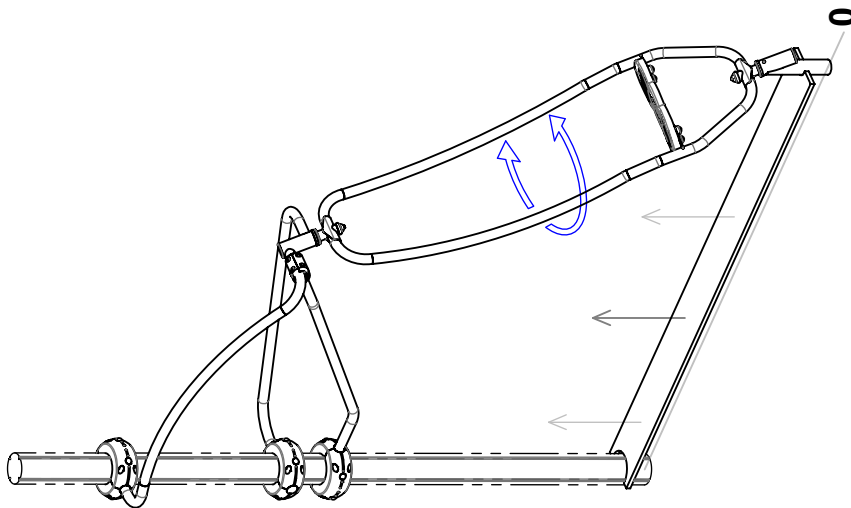
①

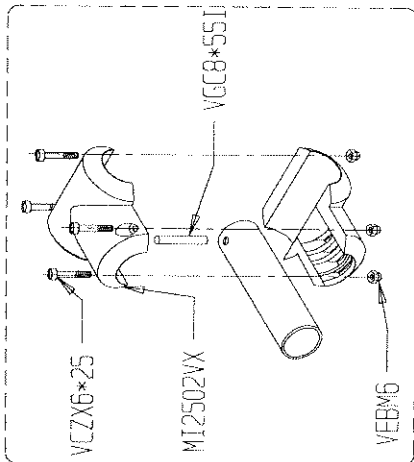


②



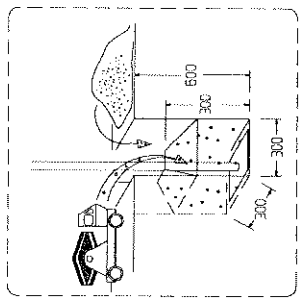
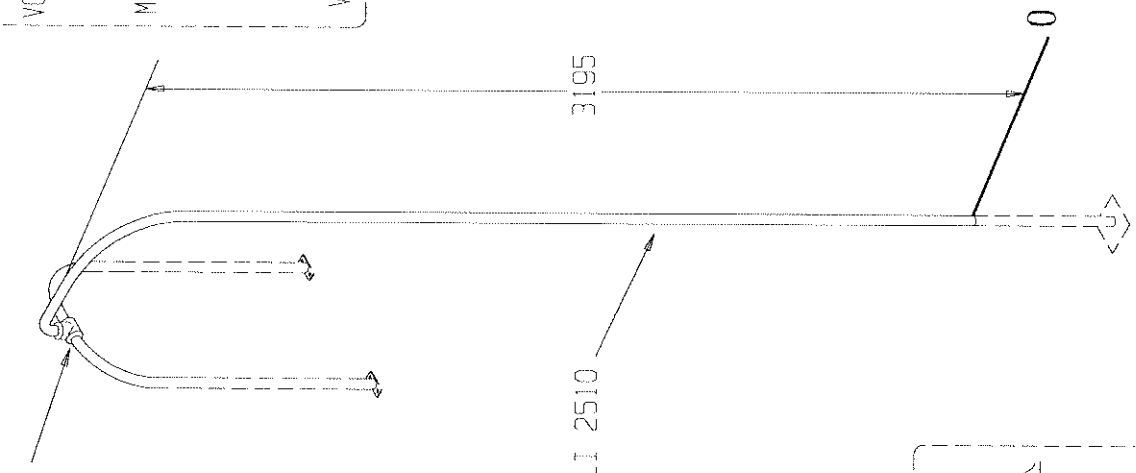
③





MI2502VX X 2

LI2510 X 1
Lg 3795

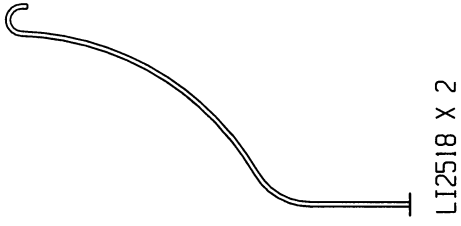
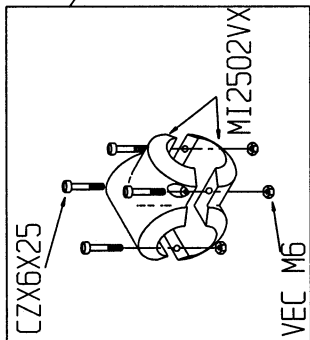


	VGC8*55I	1
	VCZX 6x25	4
	VEBM6	4

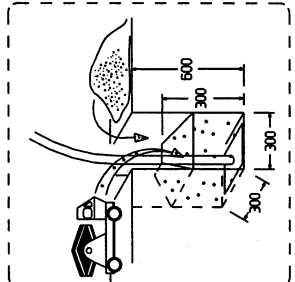
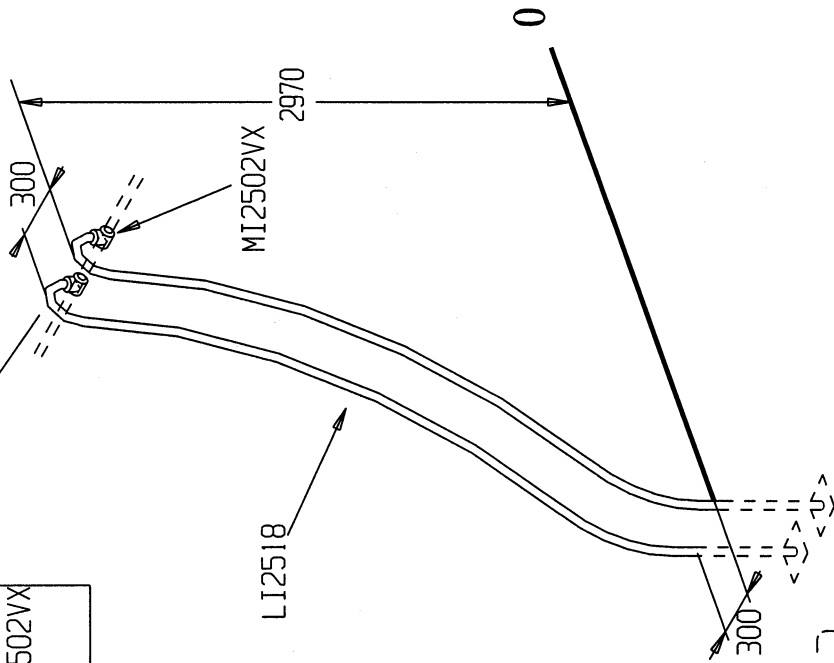
G 2527

Provaldic

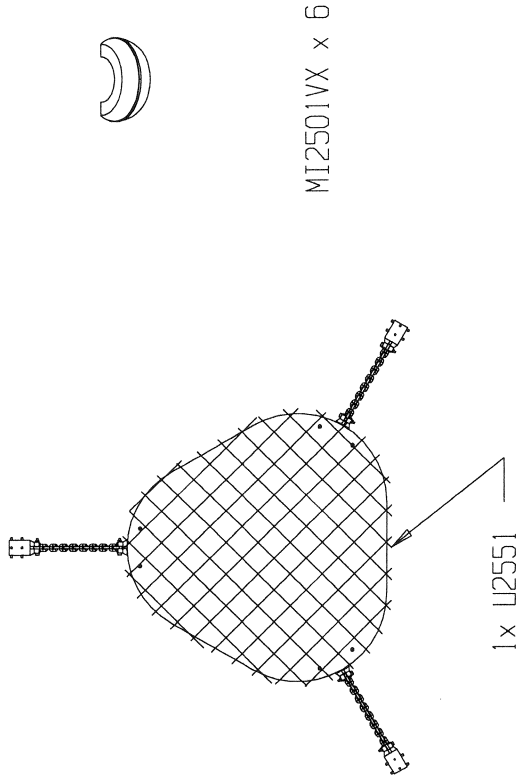
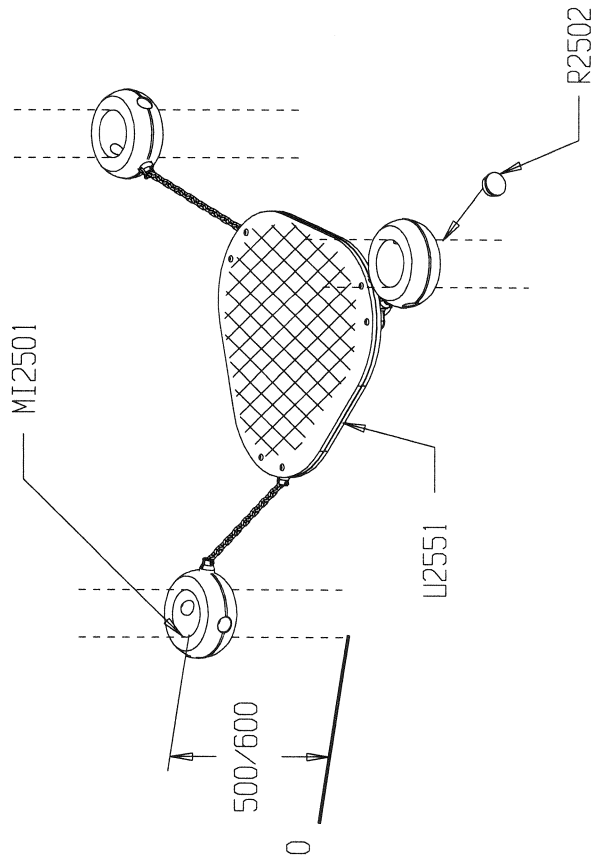
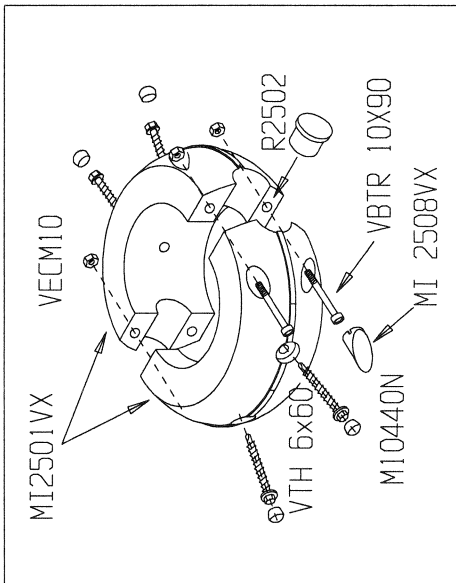
17-11-98



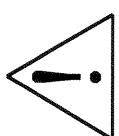
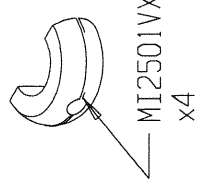
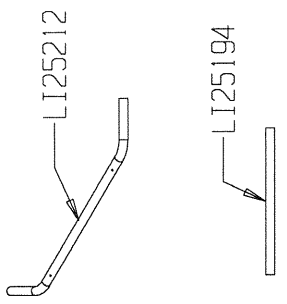
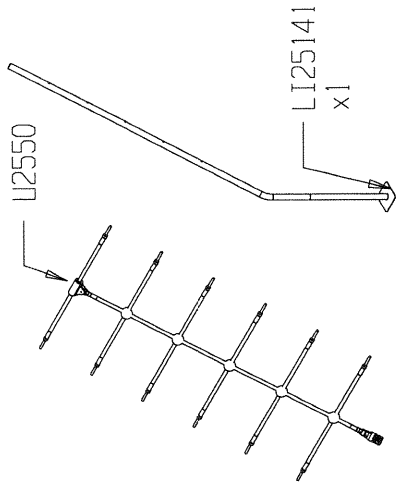
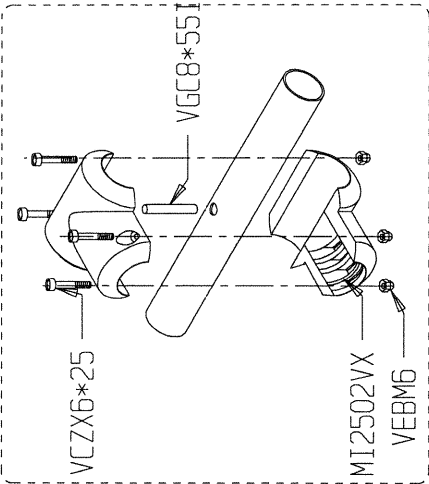
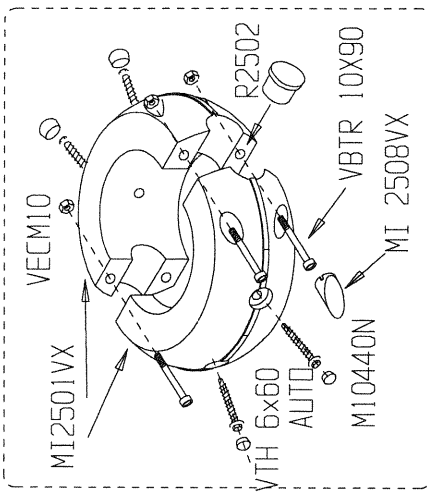
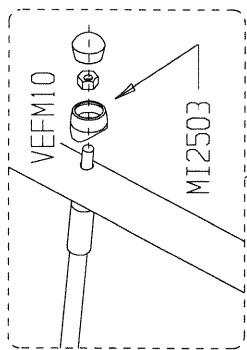
MI2502VX X 4



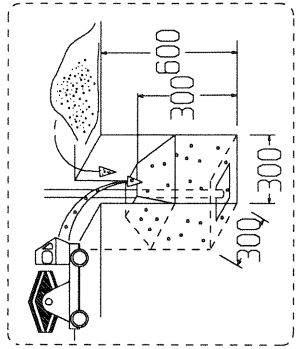
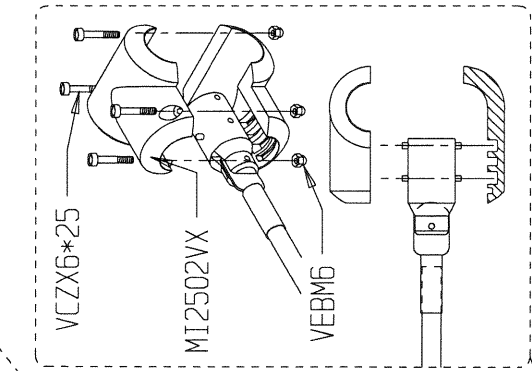
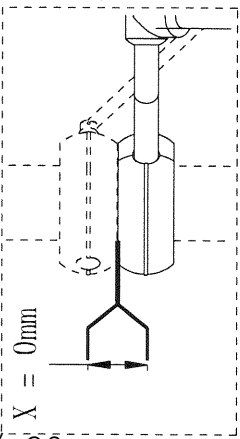
⊕	VECM6	8
⊕	VCZX 6x25	8



	VTH6x60 AUTO	12
	VEC M10	12
	VBTR 10x90	12
	M10440N	12
	MI 2508VX	24
	R 2502	3



X = 0mm



	R 2502	2
	VTH 6x60 AUTO	8
	VECM10	8
	VBTR 10x90	8
	M10440 N	8
	MI 2508VX	16
	VGC8*55I	2
	VCZX 6x25	20
	VEBM6	20
	M10440 N	12
	M12503 N	12
	VEFM10	12

