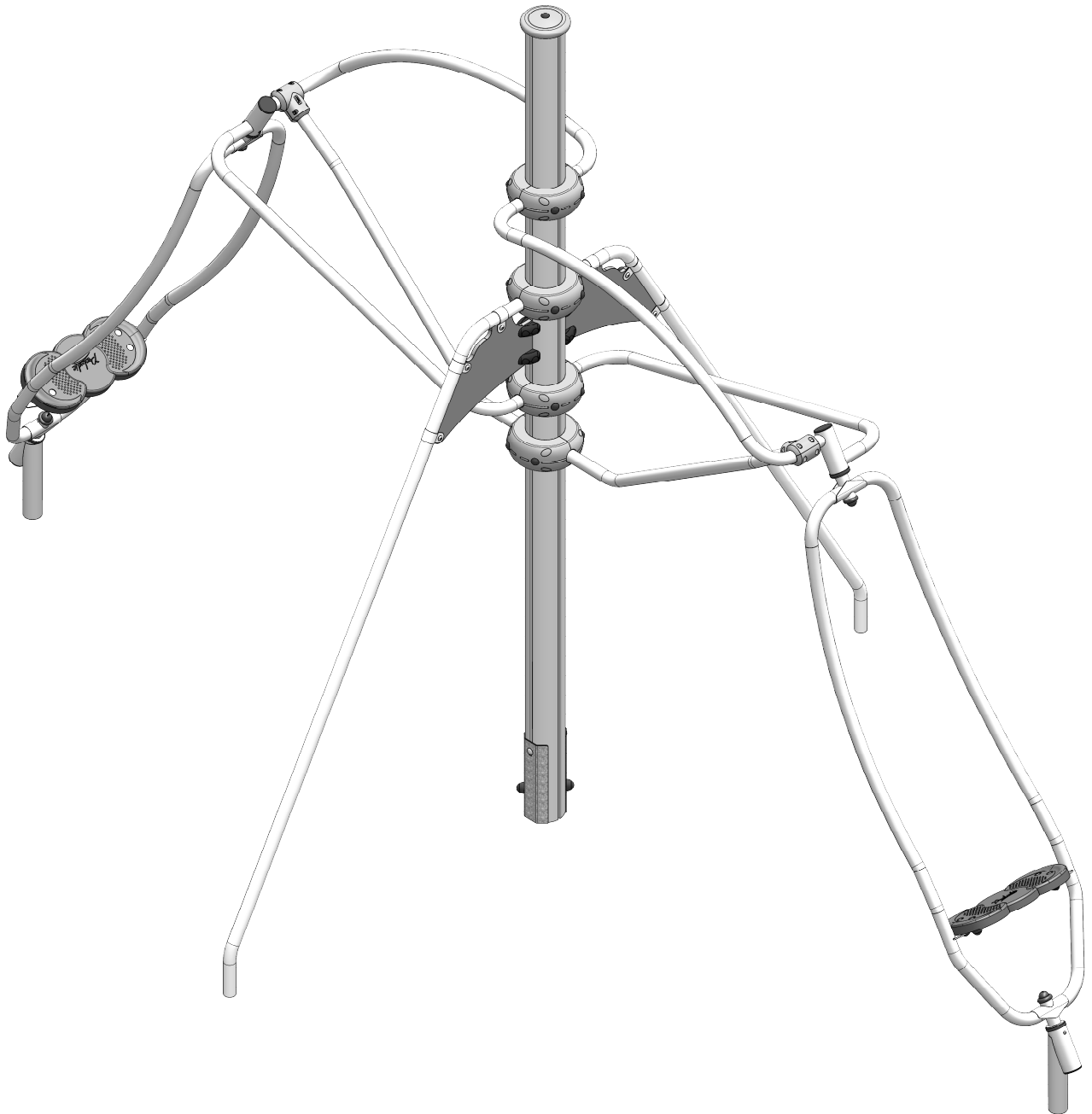


J2594

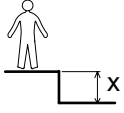
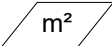
Proludic





7→+

ProLudic

N°		
1	0.7 m	26 m ²

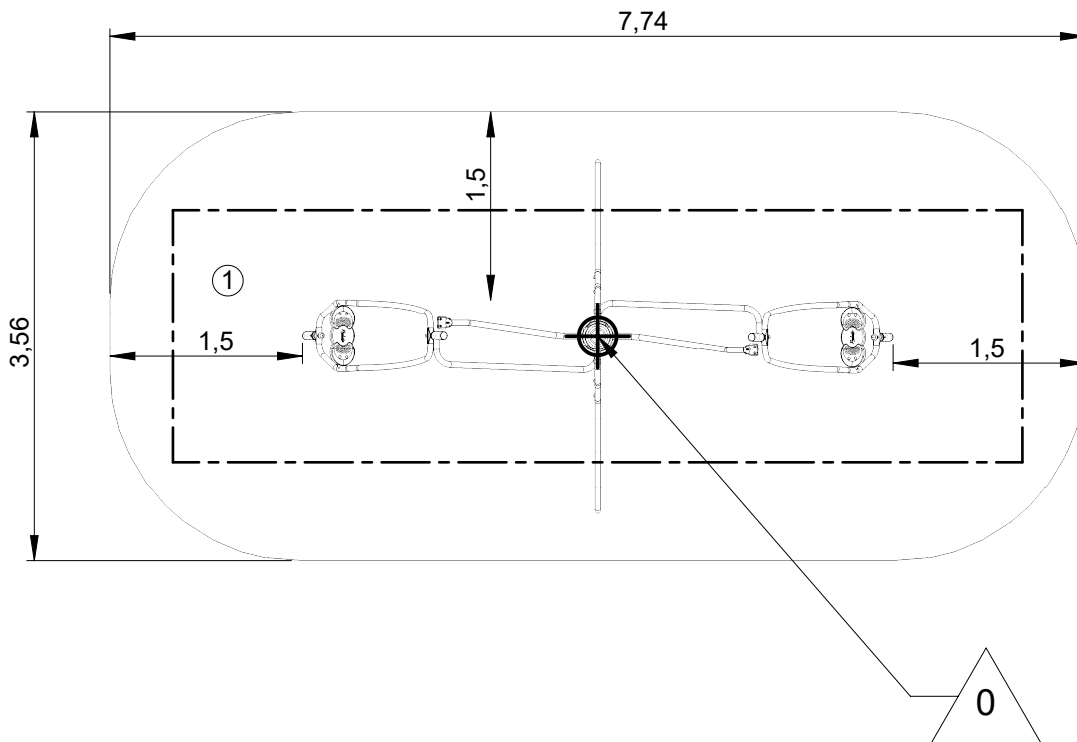
— Zone d'impact
Impact area
Area de impacto
Fallraum
Valzone

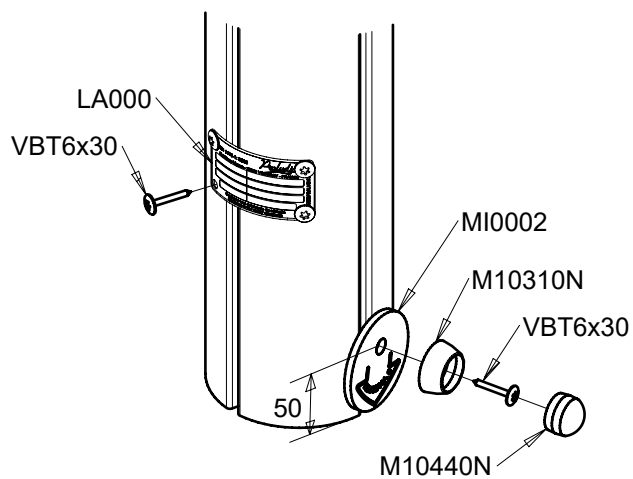
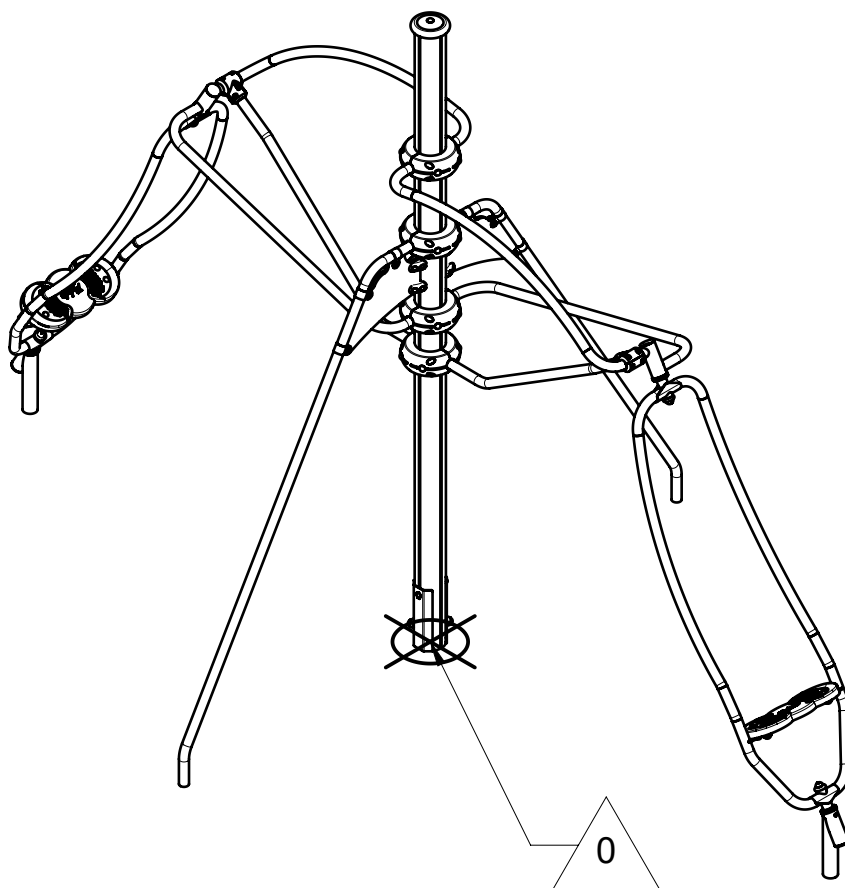


Point de référence
Setting out point
Punto de referencia
Bezugspunkt
Referentiepunt

- - - Espace libre
Free space
Espacio libre
Freiraum
Vrije ruimte

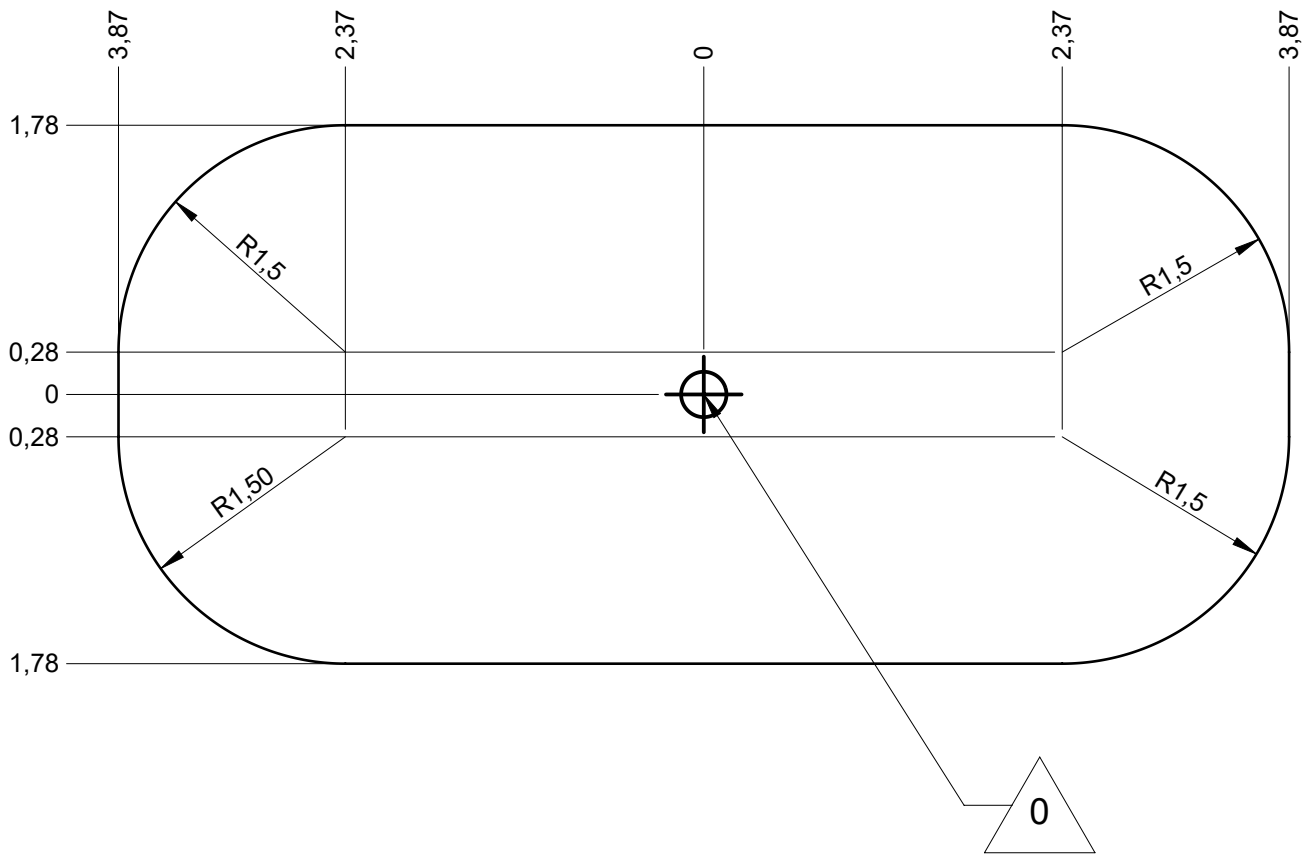
EN 1176-1 : 2017
EN 1176-5 : 2008





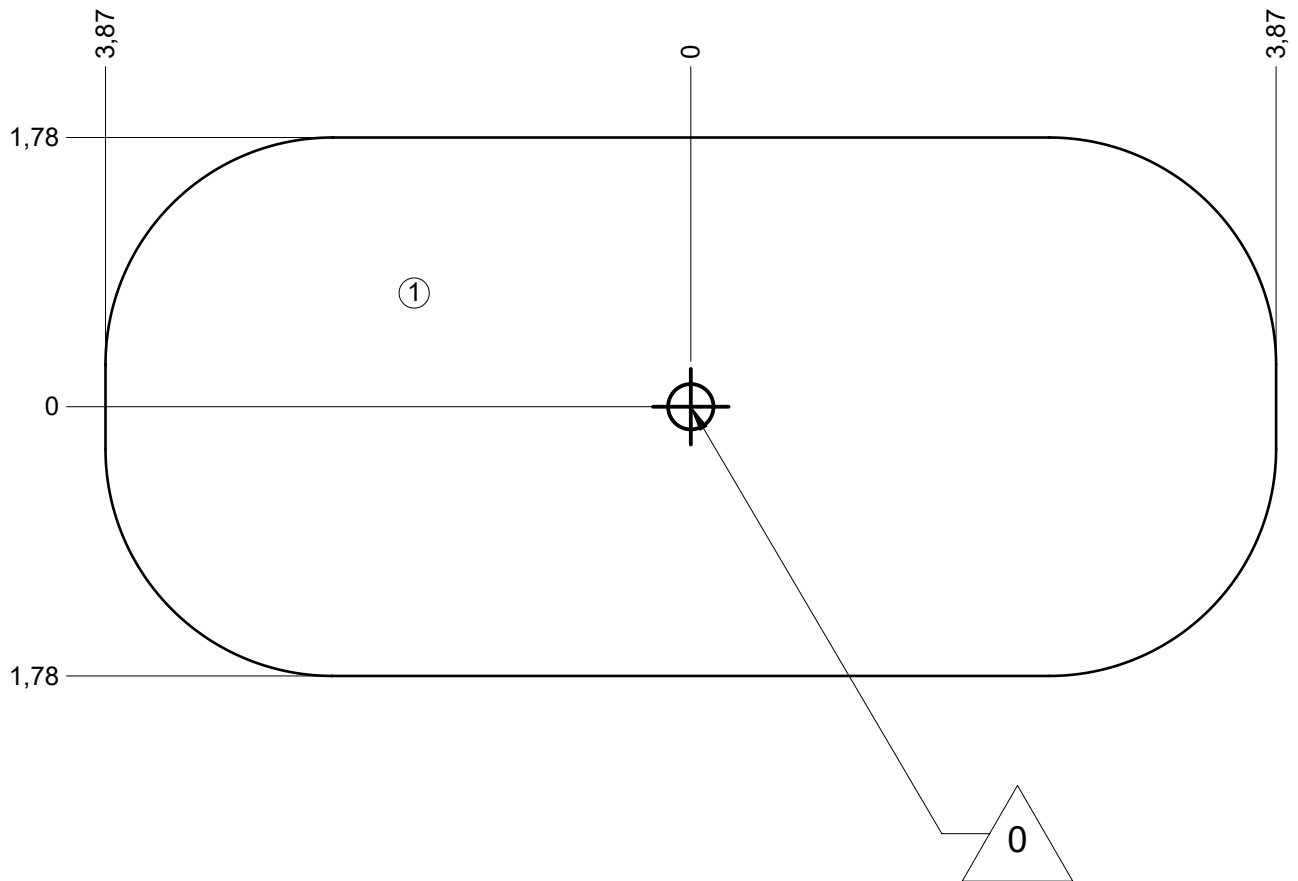
— Zone d'impact
Impact area
Area de impacto
Fallraum
Valzone

26 m²



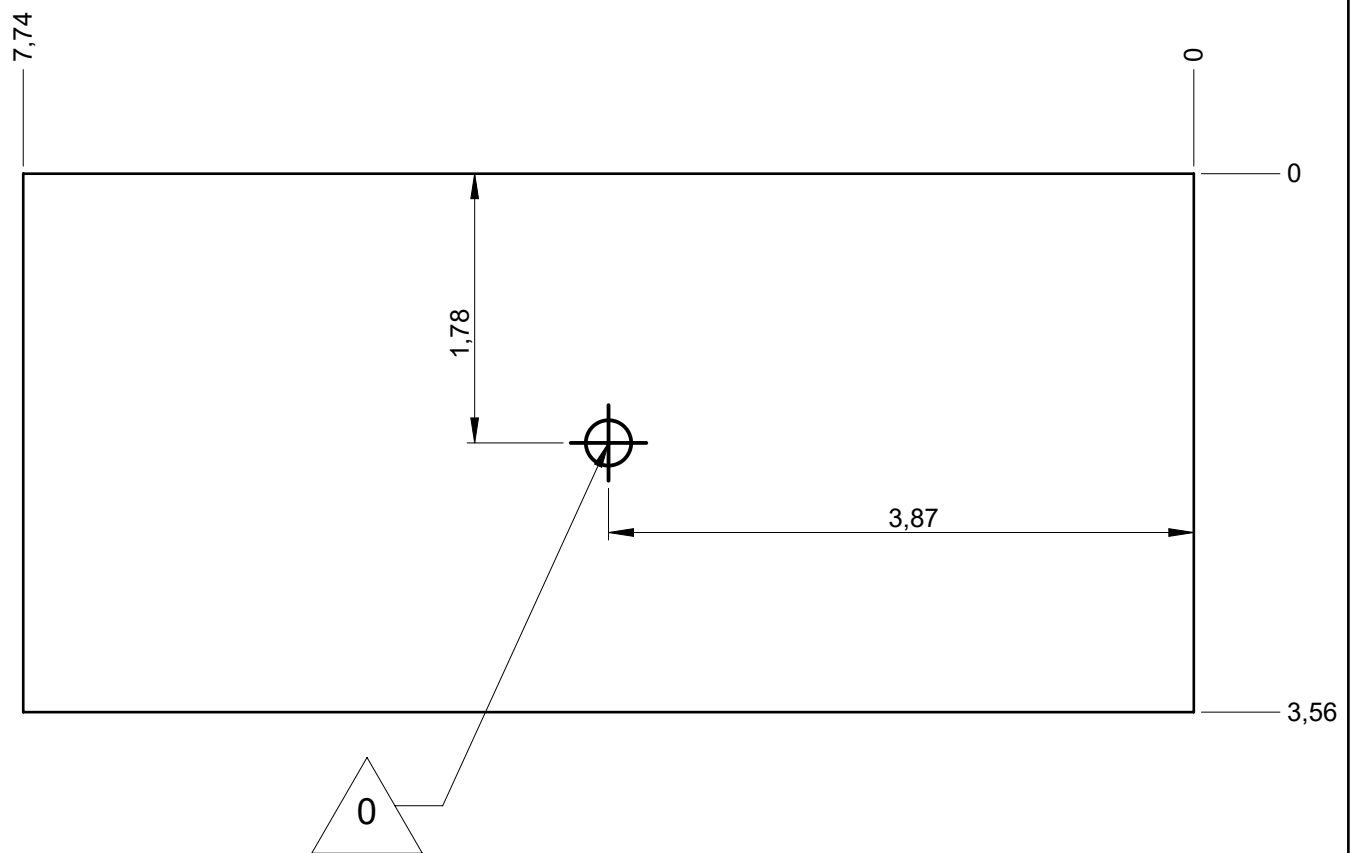
— Sol souple
Wetpour
Caucho continuo
Synthetischer Fallschutz
Gietvloer

26 m²

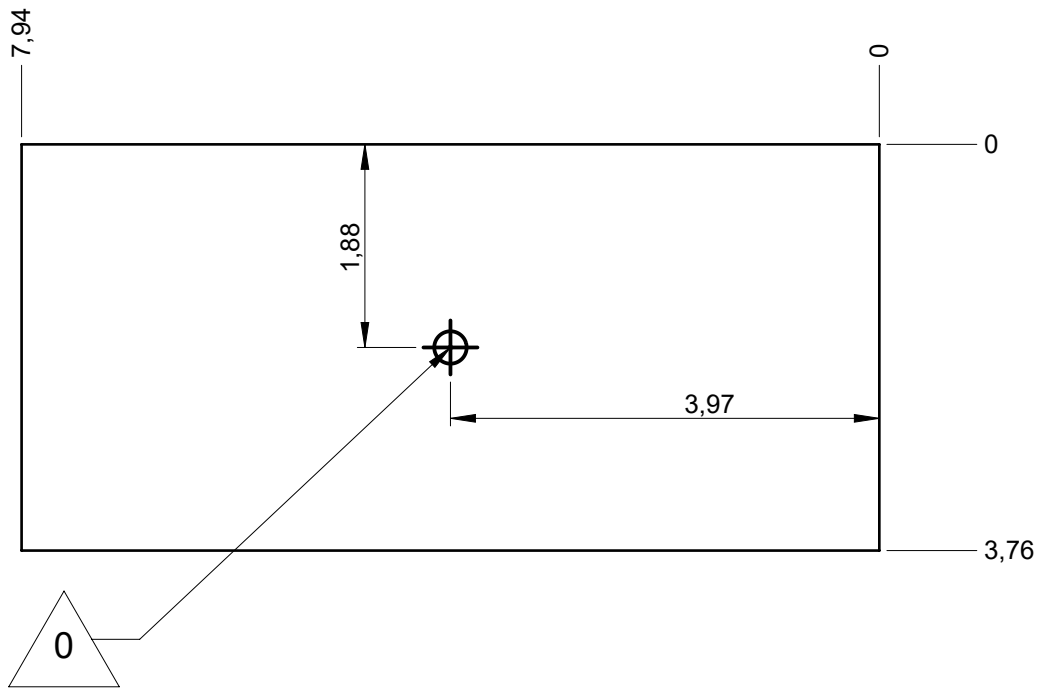


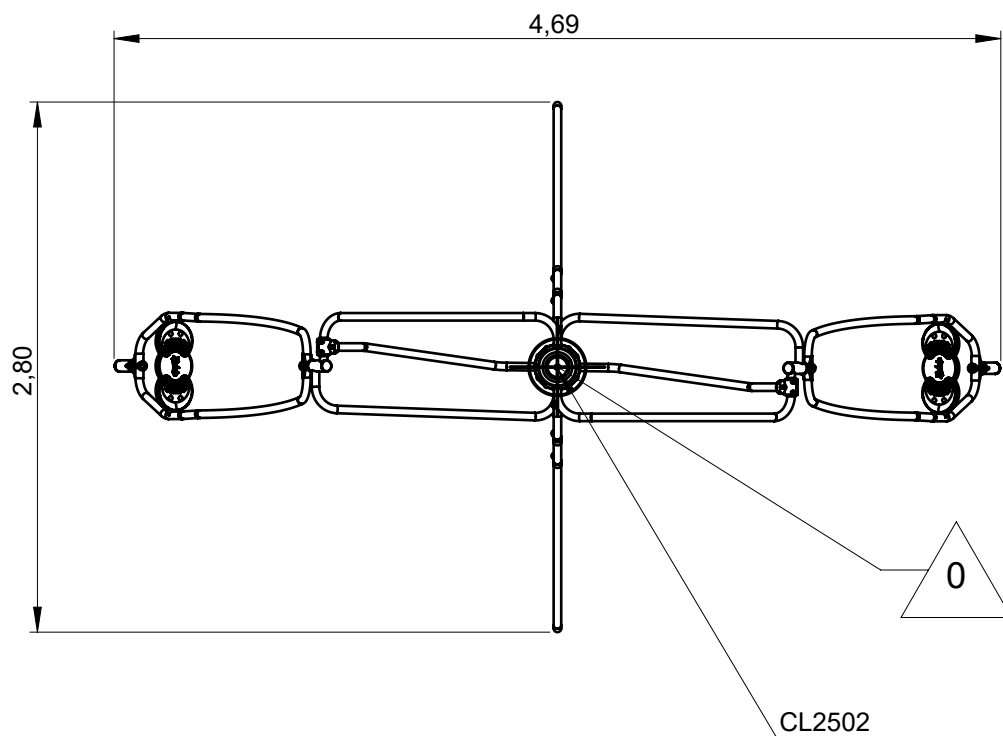
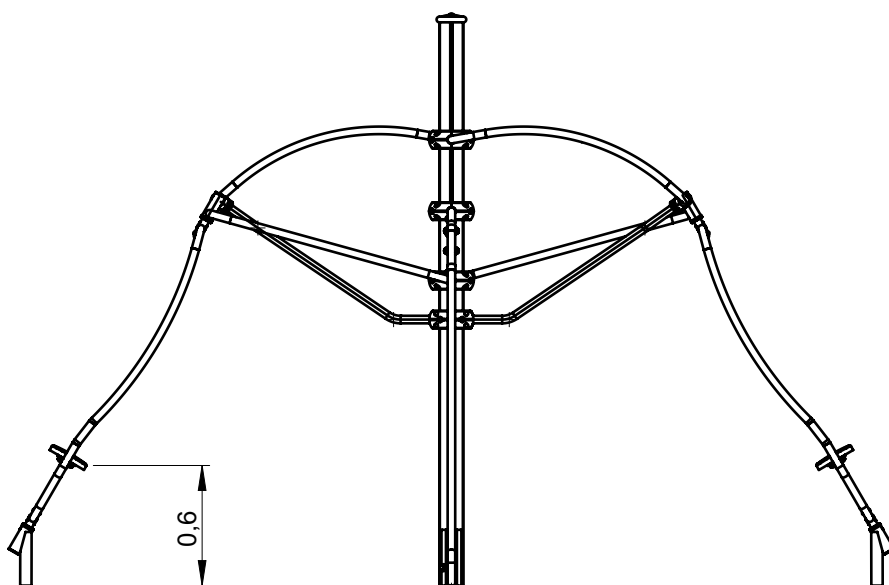
— Dalle béton
Concrete pad
Solera de hormigon
Beton Bodenplatte
Betonnen bodemplaat

23 m
28 m²



— Sol fluent
Loos partucule material 25 m
Arenero
Loses Bodenmaterial 30 m²
Los bodemateriaal

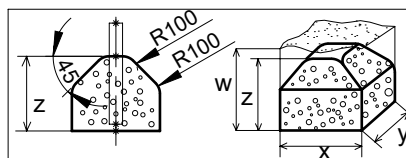
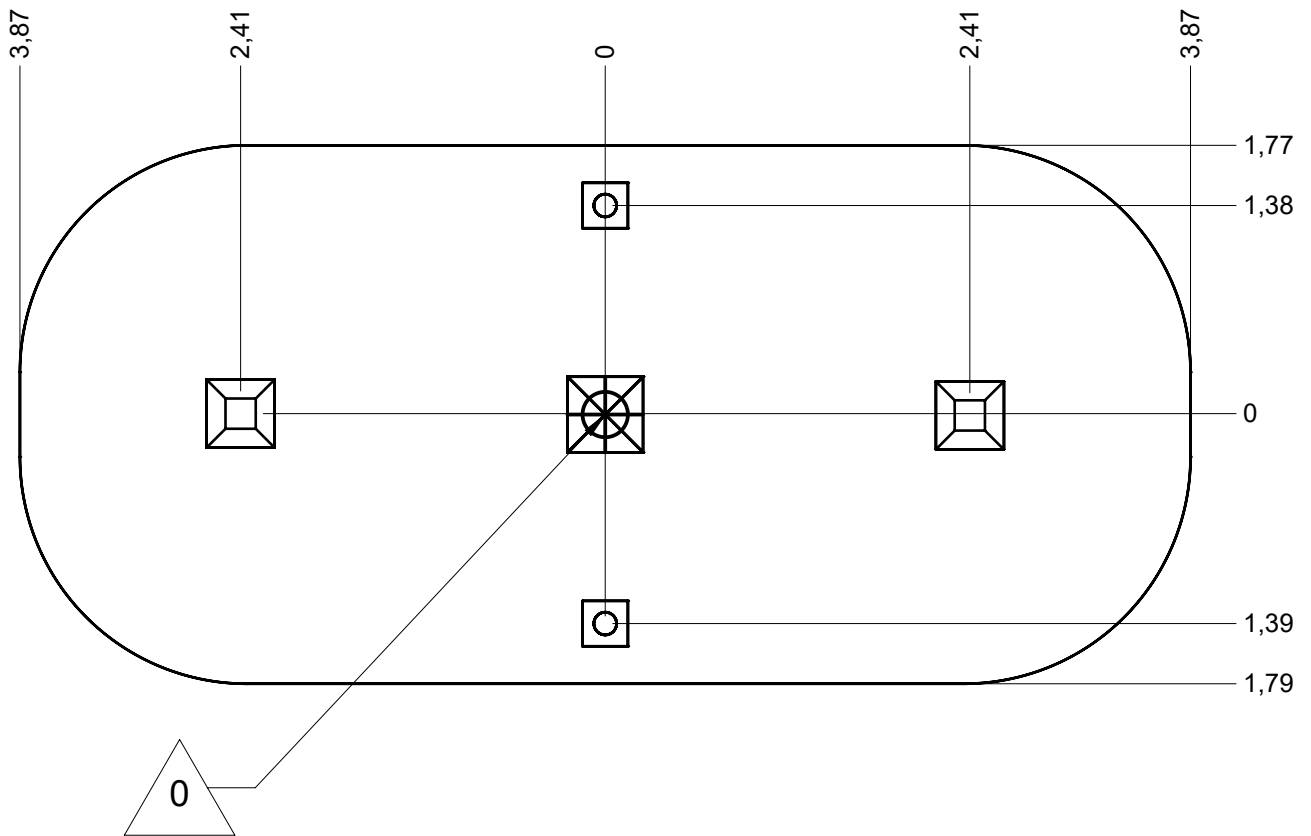




J2594A

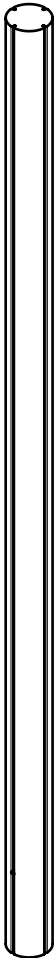
ProLudic

Implantation
 Footing plan
 Implantación
 Fundamentplan
 Funderingstekening

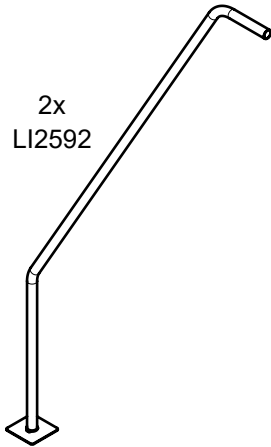


	x	y	z	w
	0.3	0.3	0.3	0.6
	0.5	0.5	0.4	0.8
	0.45	0.45	0.4	0.8

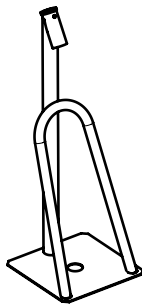
1x
CL2502



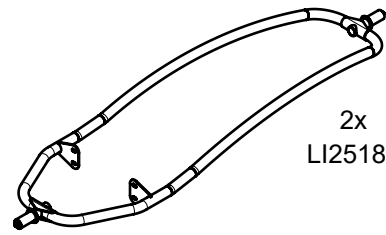
2x
LI2592



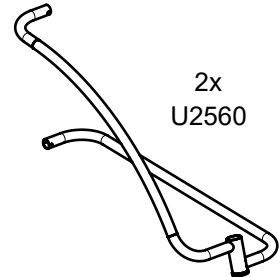
2x
U2548



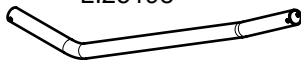
2x
LI25189



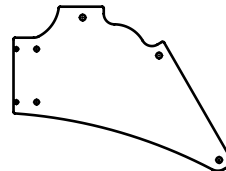
2x
U2560



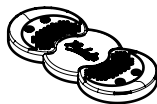
2x
LI25198



2x
ET2542VX



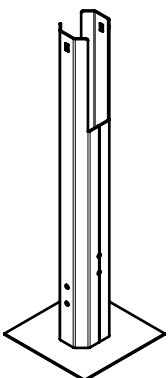
2x
M2504



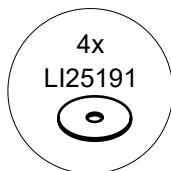
8x
MI2501VX



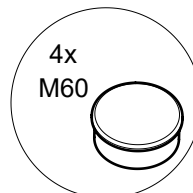
1x
LG2553



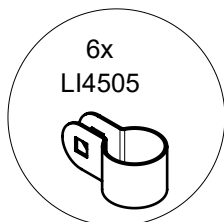
4x
LI25191



4x
M60



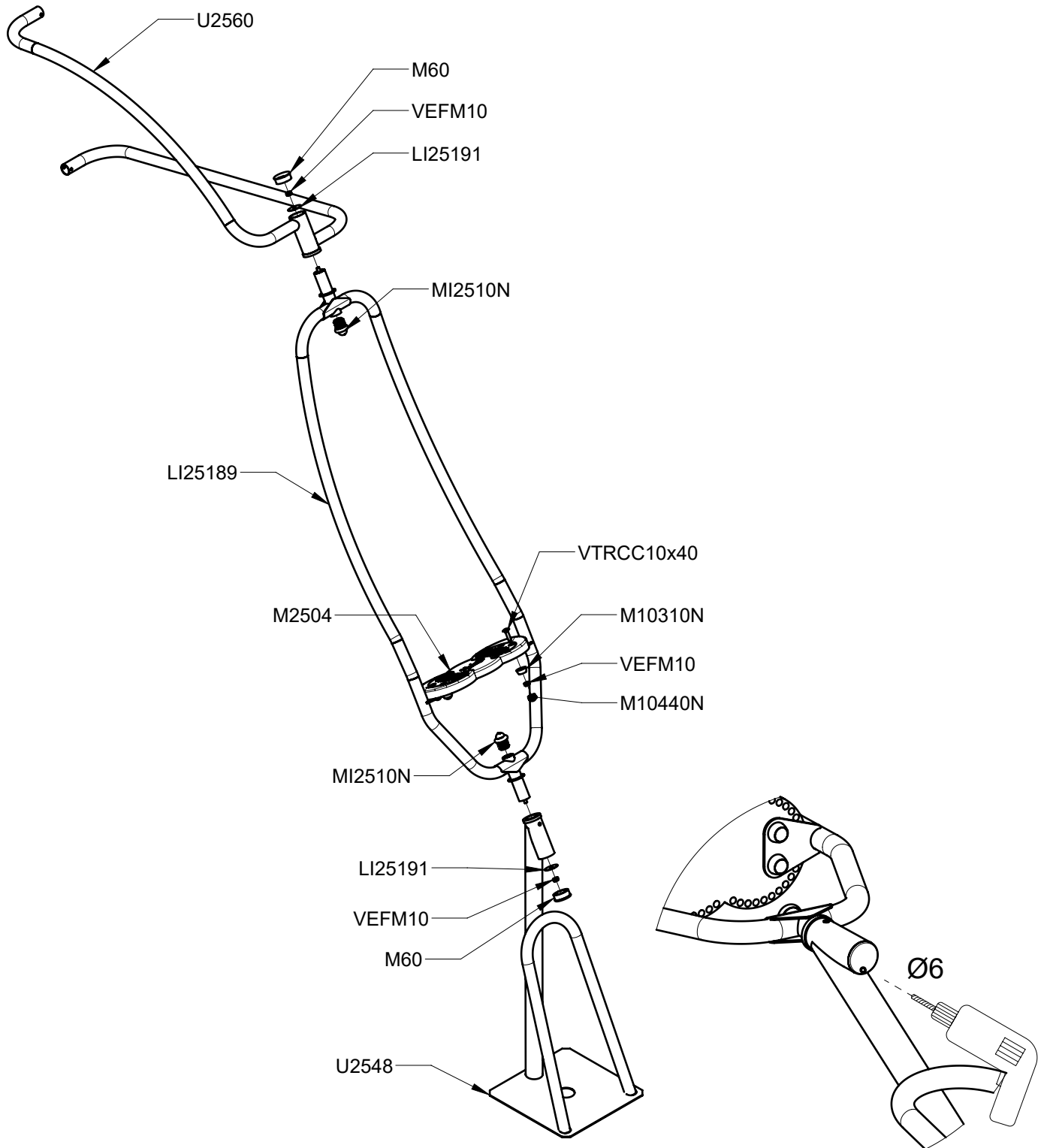
6x
LI4505

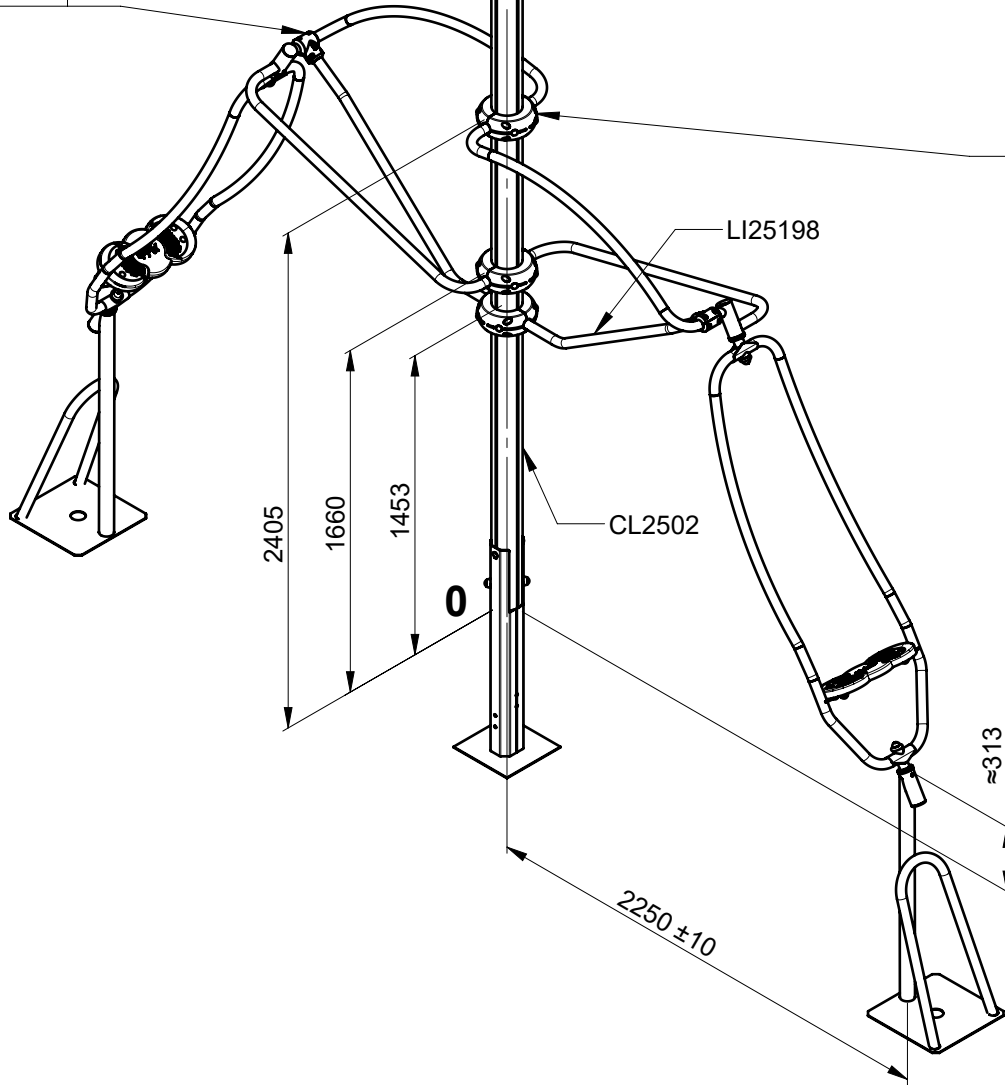
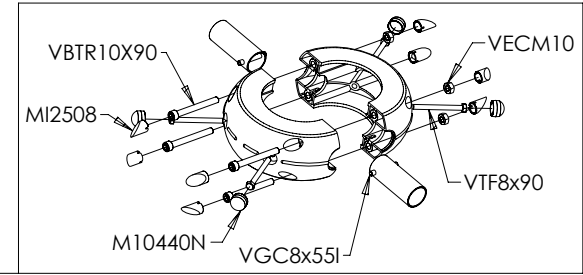
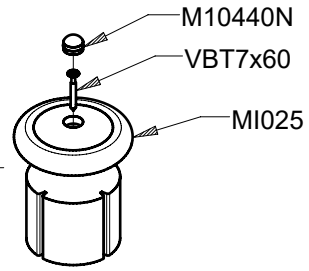
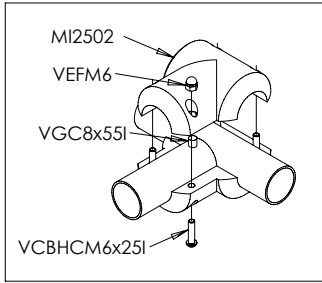


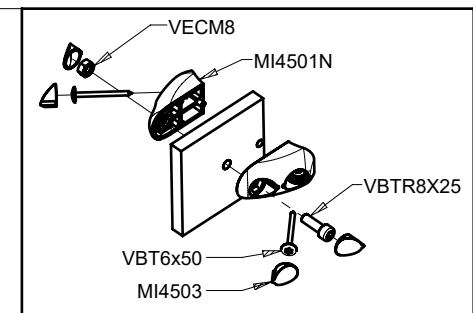
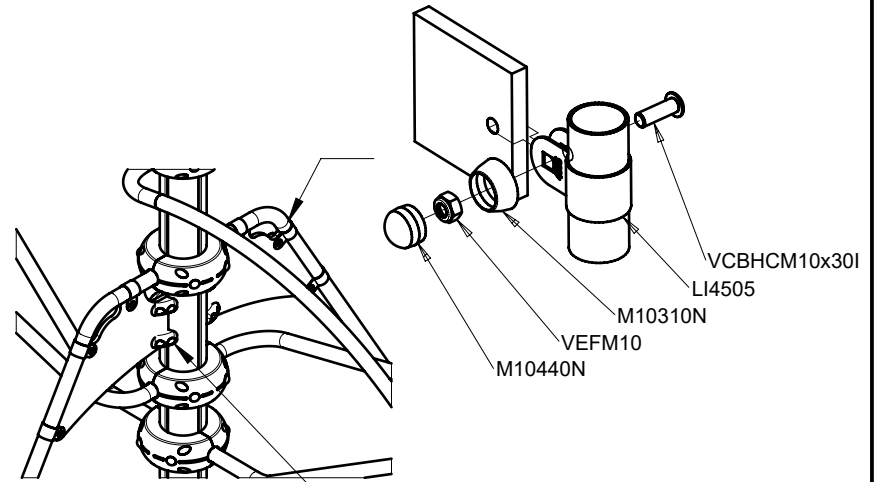
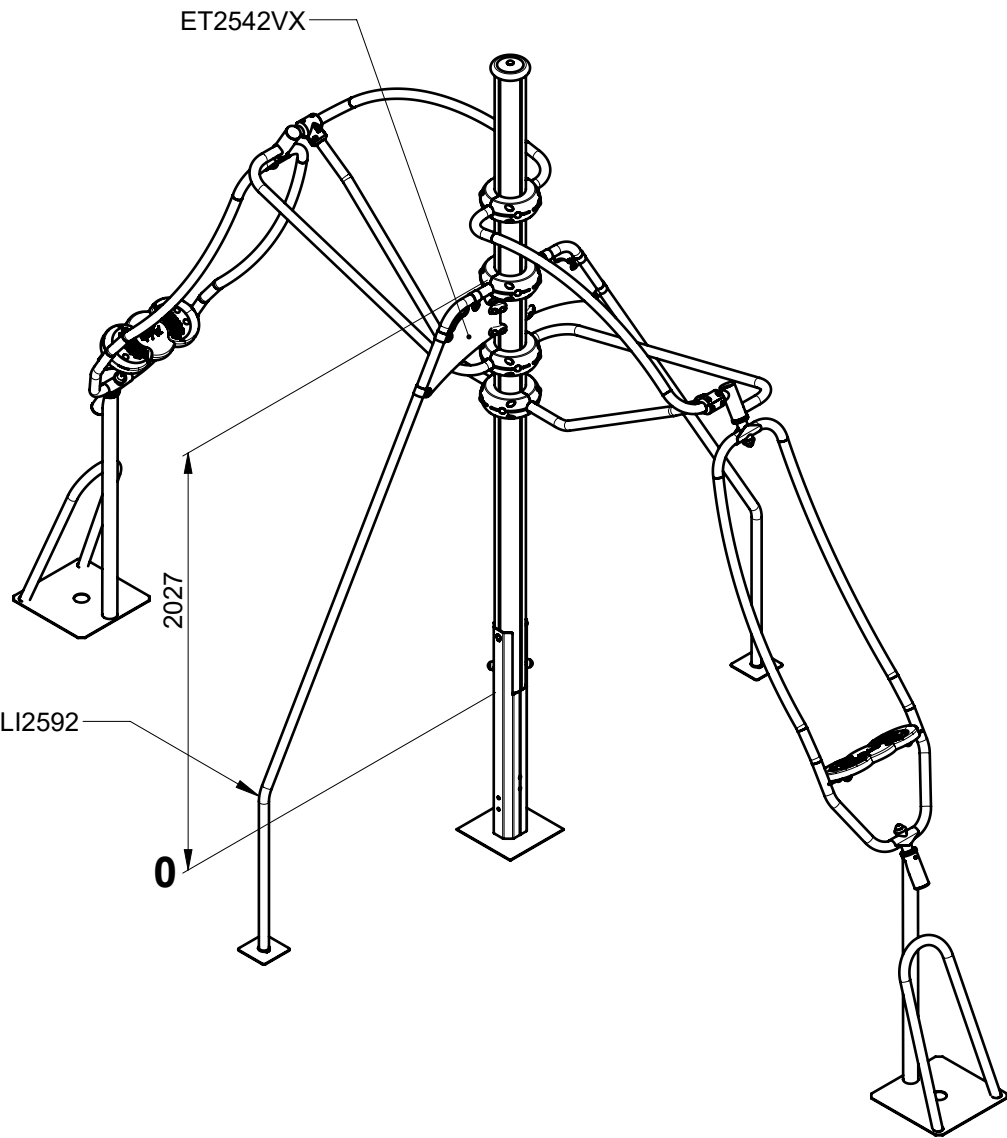
4x
MI2502VX



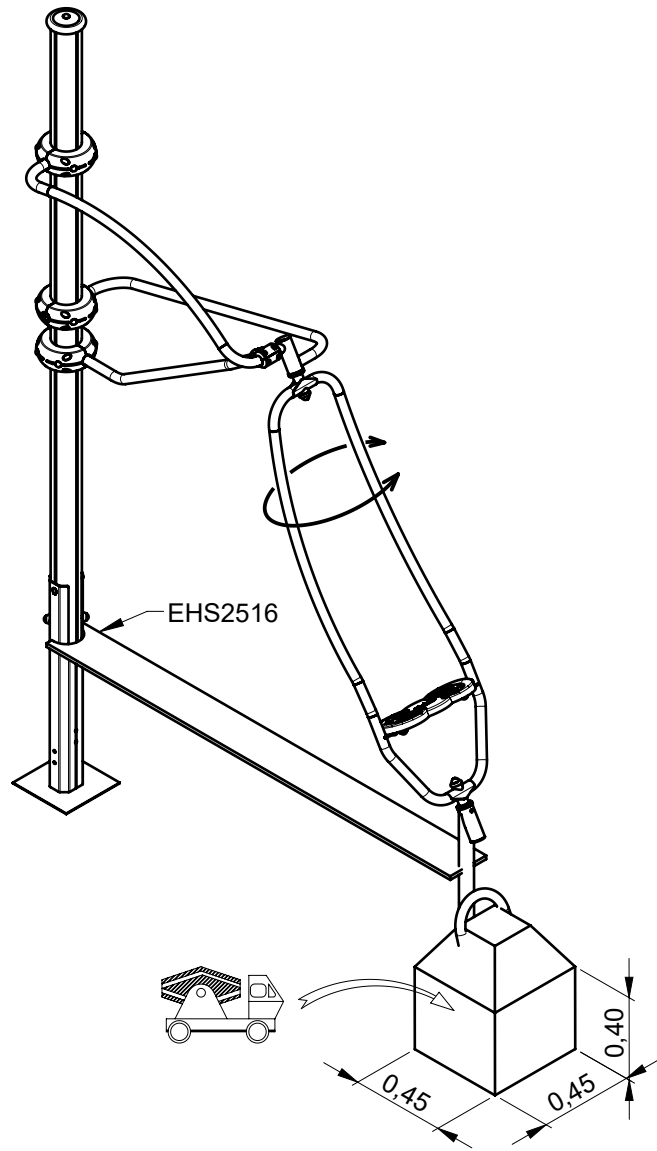
CL2502	1
ET2542VX	2
LG2553	1
LI2592	2
LI4505	6
LI25189	2
LI25191	4
LI25198	2
M60	4
M2504	2
M10310N	17
M10440N	34
MI025VX	1
MI2501VX	8
MI2502VX	4
MI2508	32
MI2510N	4
MI4501N	8
MI4503	16
U2548	2
U2560	2
VBTR6x50	8
VBTR7x60	1
VBTR8x25	4
VBTR10x90	16
VCBHCM6x25I	8
VCBHCM10x30I	6
VEBM6	8
VECM8	4
VECM10	16
VEFM10	19
VGC8x55I	8
VTF8x90	16
VTF10x60	2
VTRCC10x40	8
VTRCC10x140	1







1



2

