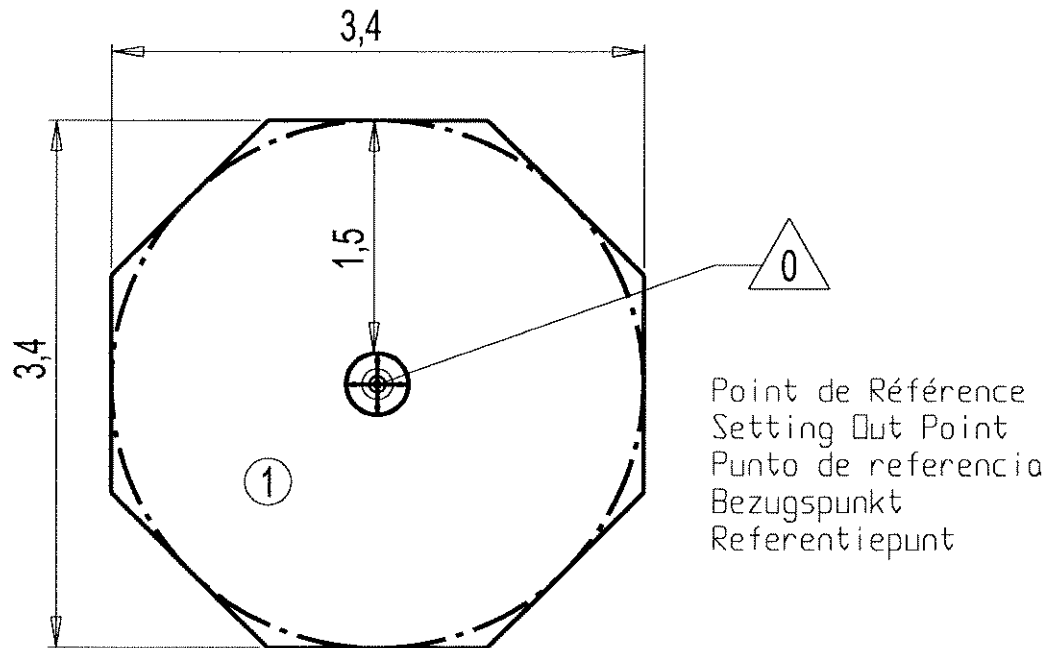


N°		
①	0.5 m	10 m ²

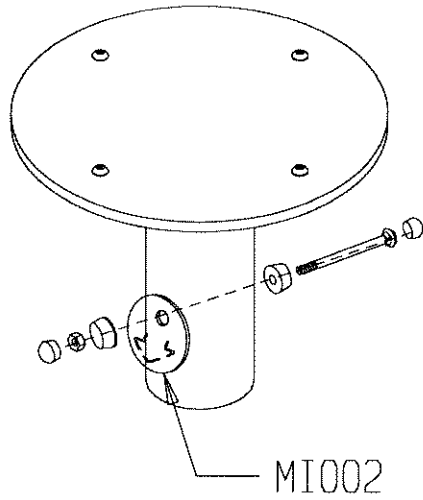
— Zone d'Impact
 Impact Area
 Area de Impacto
 Fallraum
 Valzone

EN 1176-1 : 2017
 EN 1176-5 : 2008

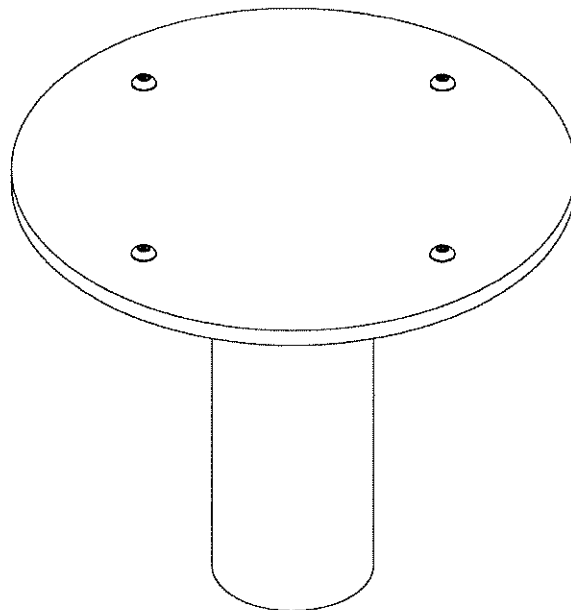
— Espace libre
 Free Space
 Espacio Libre
 Freiraum
 Vrije ruimte

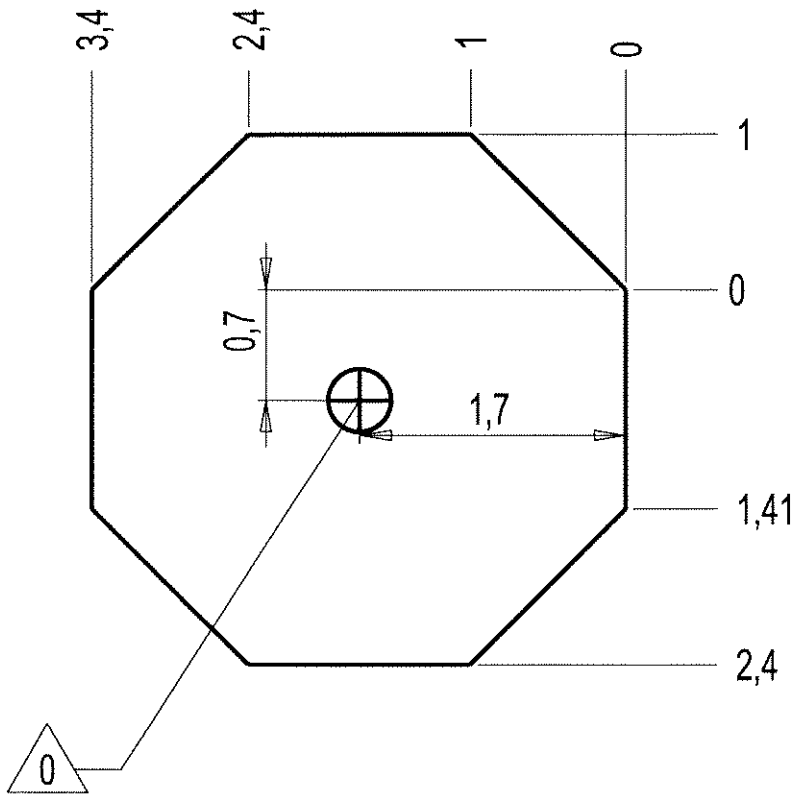


M10440N
VEFM10
M10310N



M10440N
VTRCC10X140
M10310N



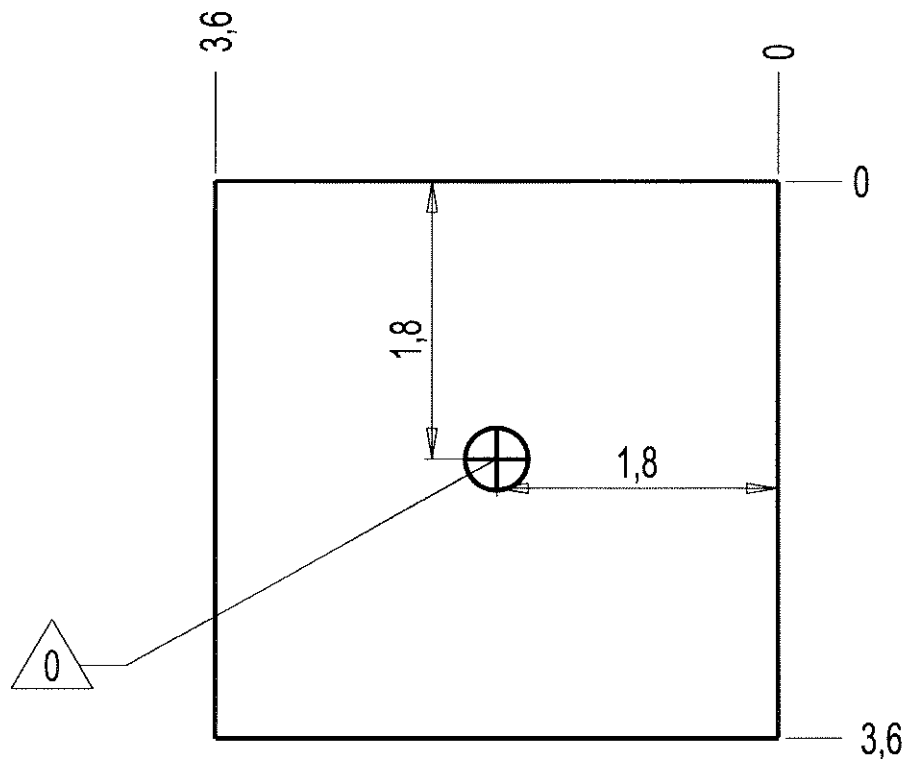


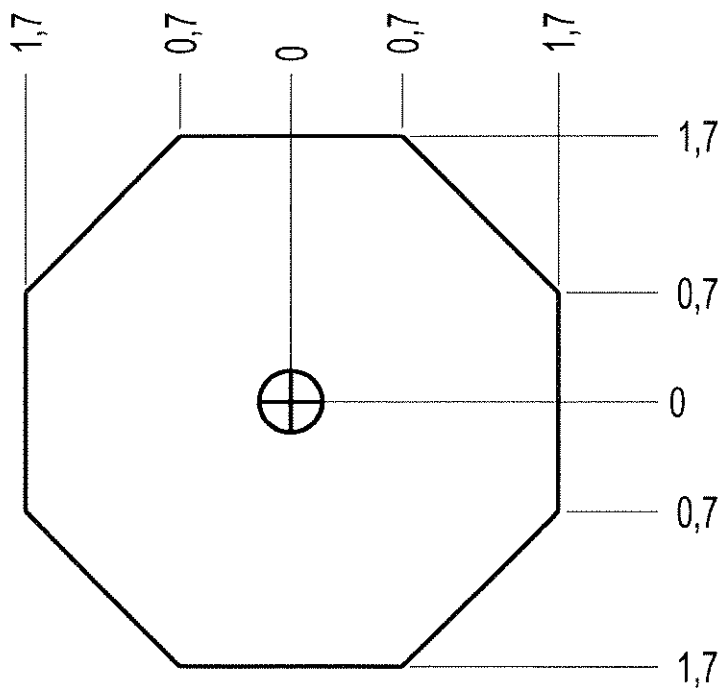
- Sol fluent
- Loose particle material
- Arenero
- Loses Bodenmaterial
- Los bodenmaterial

11.5 m
10 m²

- Dalle béton
- Concrete pad
- Solera de Hornigón
- Beton Bodenplatte
- Betonnen bodemplaat

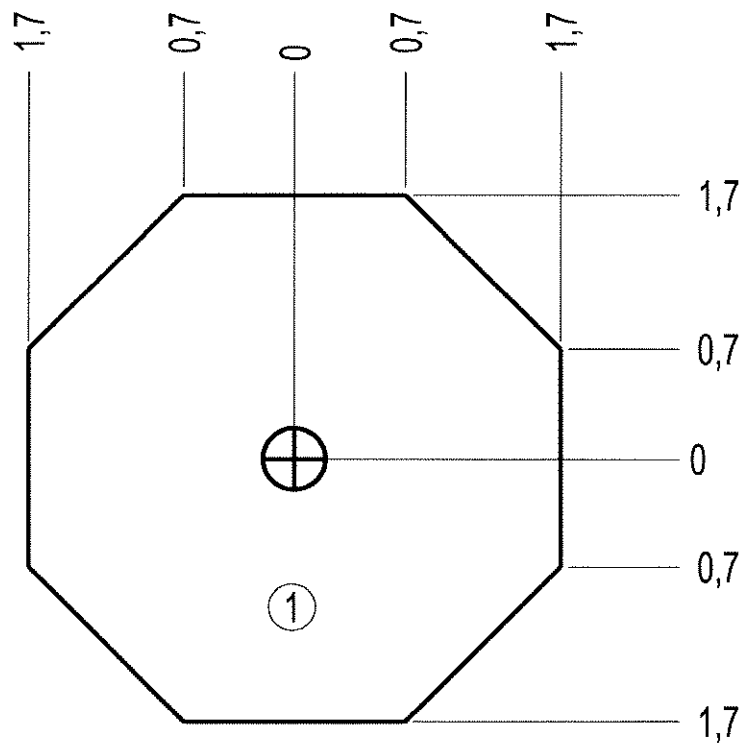
14.5 m
13 m²





— Sol souple 10 m²
 Wetpour
 Caucho Continuo
 Synthetischer Fallschutz
 Gietvloer

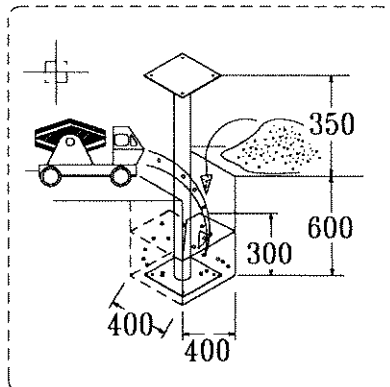
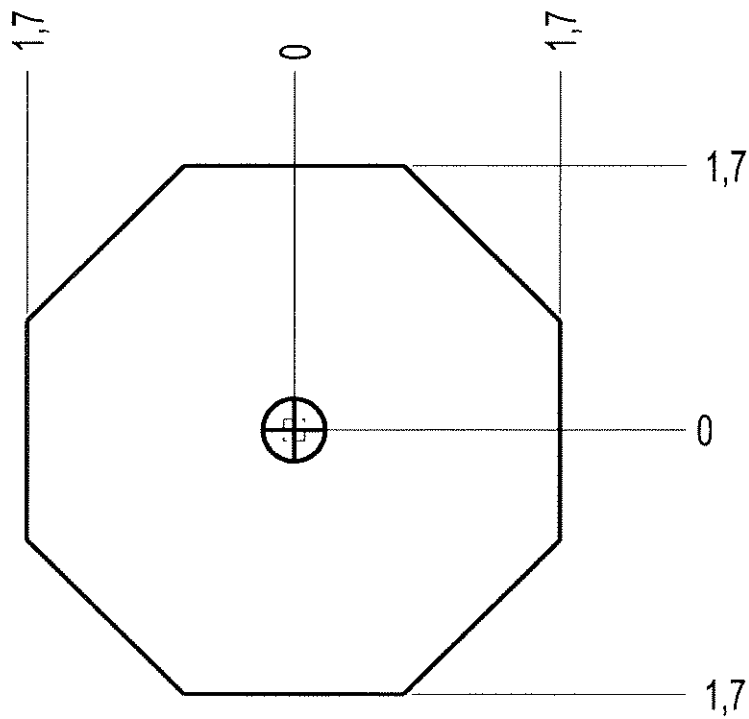
— Zone d'Impact 10 m²
 Impact Area
 Area de Impacto
 Fallraum
 Valzone



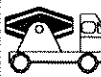


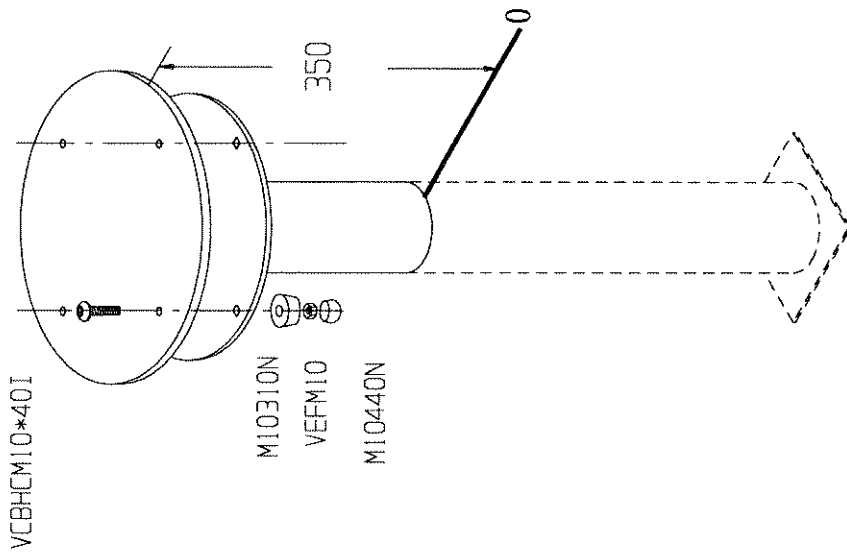
J2592

Proludic

Implantation
Footing plan
Implantación
Fundamentplan
Funderingstekening



 x2	 1H45	 0,1m ³
---	--	---



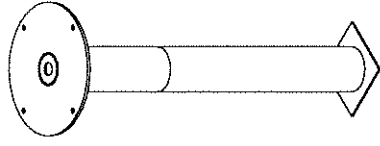
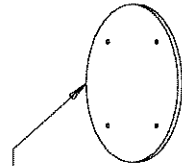
VCBHCMI0*40I

M10310N

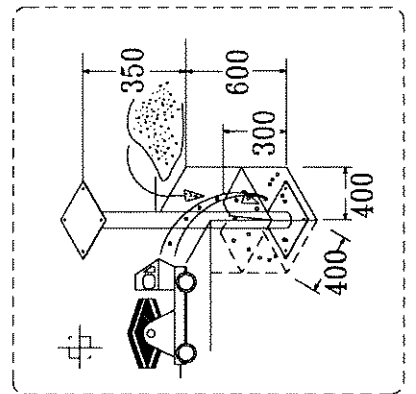
VEFM10

M10440N

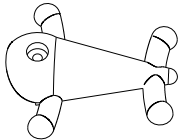
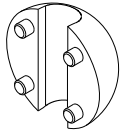
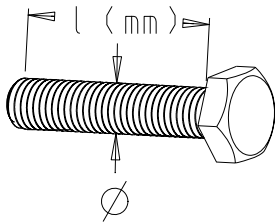
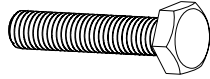

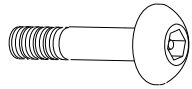
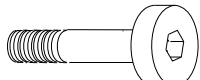
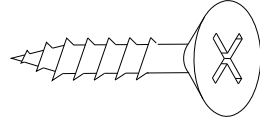
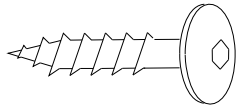
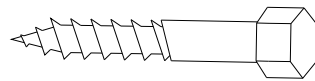
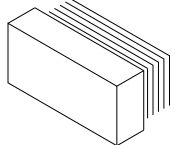
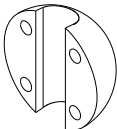
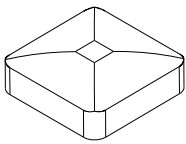
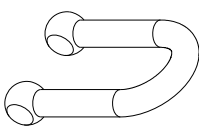
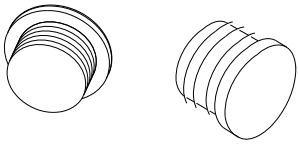
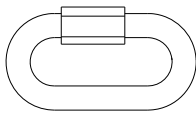
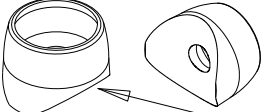
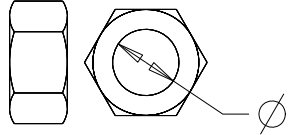
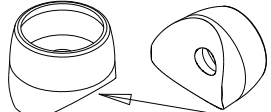
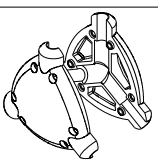
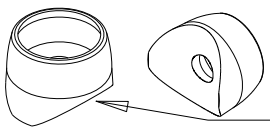
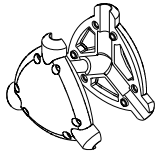
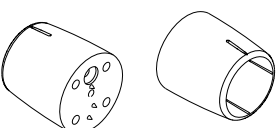
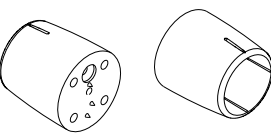
FT980



U2592



	VIRCCMI0X140	1
	VLBHCMI0X40I	4
	M10310N	6
	M10440N	6
	VEFM10	5

	M100VJ		MI6A	 <p>VTH 10 x 120</p> <p>Ø</p> <p>l (mm)</p>  <p>VTH</p>  <p>VTRCC</p>  <p>VCBHC</p>  <p>VBTR</p>  <p>VWT</p>  <p>VBT</p>  <p>VTF</p>
	M4080		MI6B	
	MI0001N		RMANI06	
	M42		RMARA06	
	MI2503 Ø 40	 <p>VECMØ nut</p>		
	MI2701 Ø 60			
	MI28N			
	MI323J		VEFMØ locknut	
	MI5C		VEBMØ blind nut	