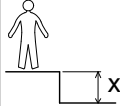


J56102

Proludic





N°		m ²
1	0.6 m	13.5 m ²
2	1 m	23.5 m ²
3	1.17 m	13 m ²
4	1.29 m	8 m ²
5	1.58 m	2 m ²
6	1.77 m	21.5 m ²
7	1.9 m	10 m ²
8	2.16 m	9 m ²
9	2.37 m	12.5 m ²
10	2.8 m	35 m ²

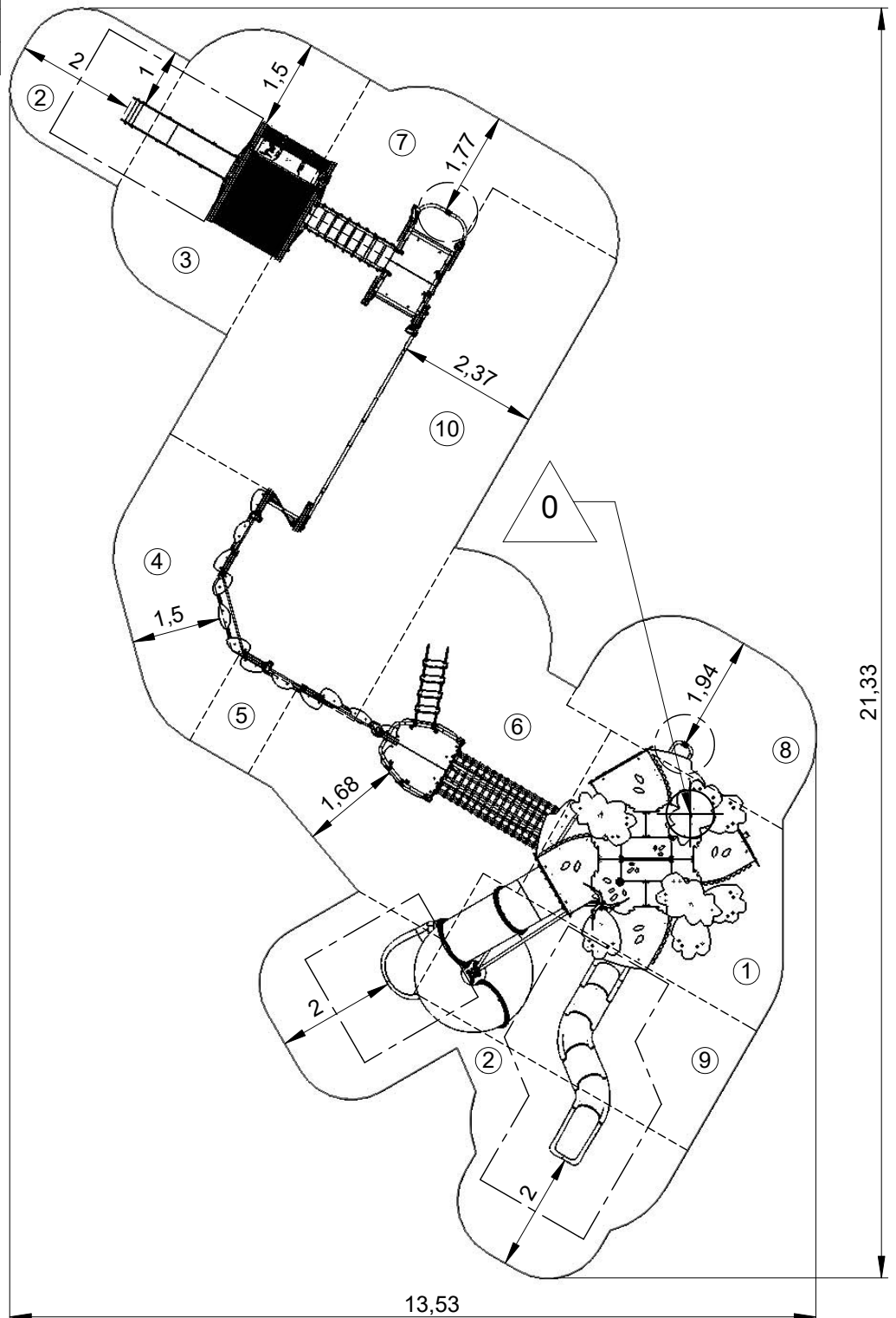
— Zone d'impact
Impact area
Area de impacto
Fallraum
Valzone

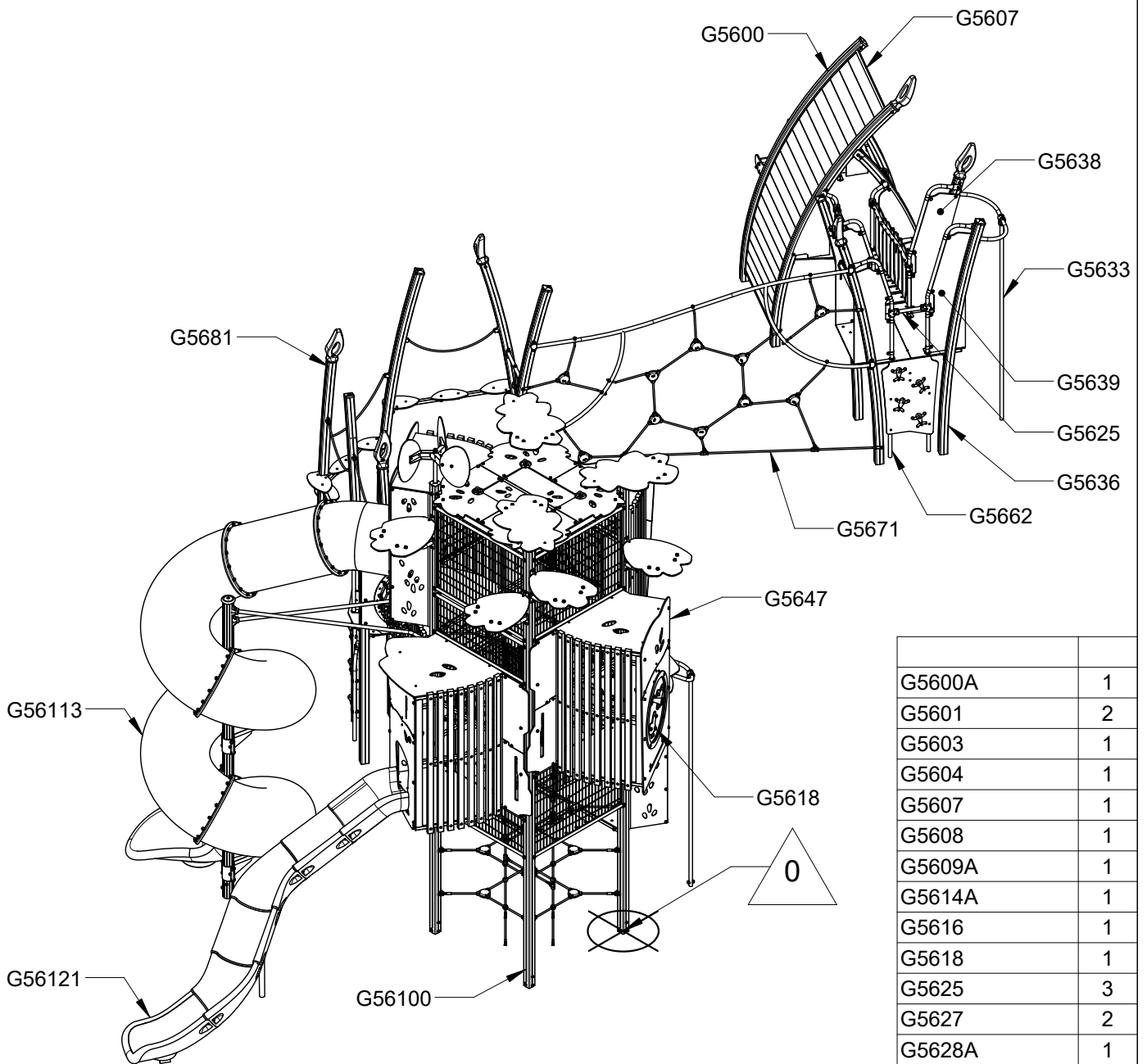


Point de référence
Setting out point
Punto de referencia
Bezugspunkt
Referentiepunt

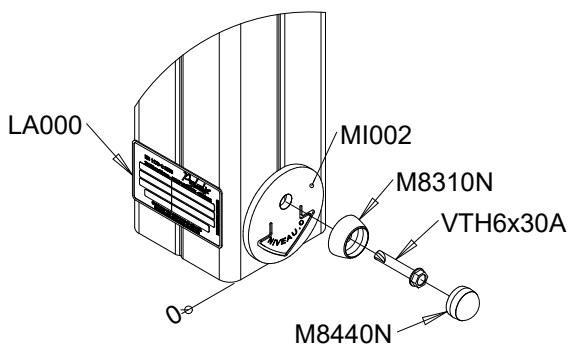
- - - Espace libre
Free space
Espacio libre
Freiraum
Vrije ruimte

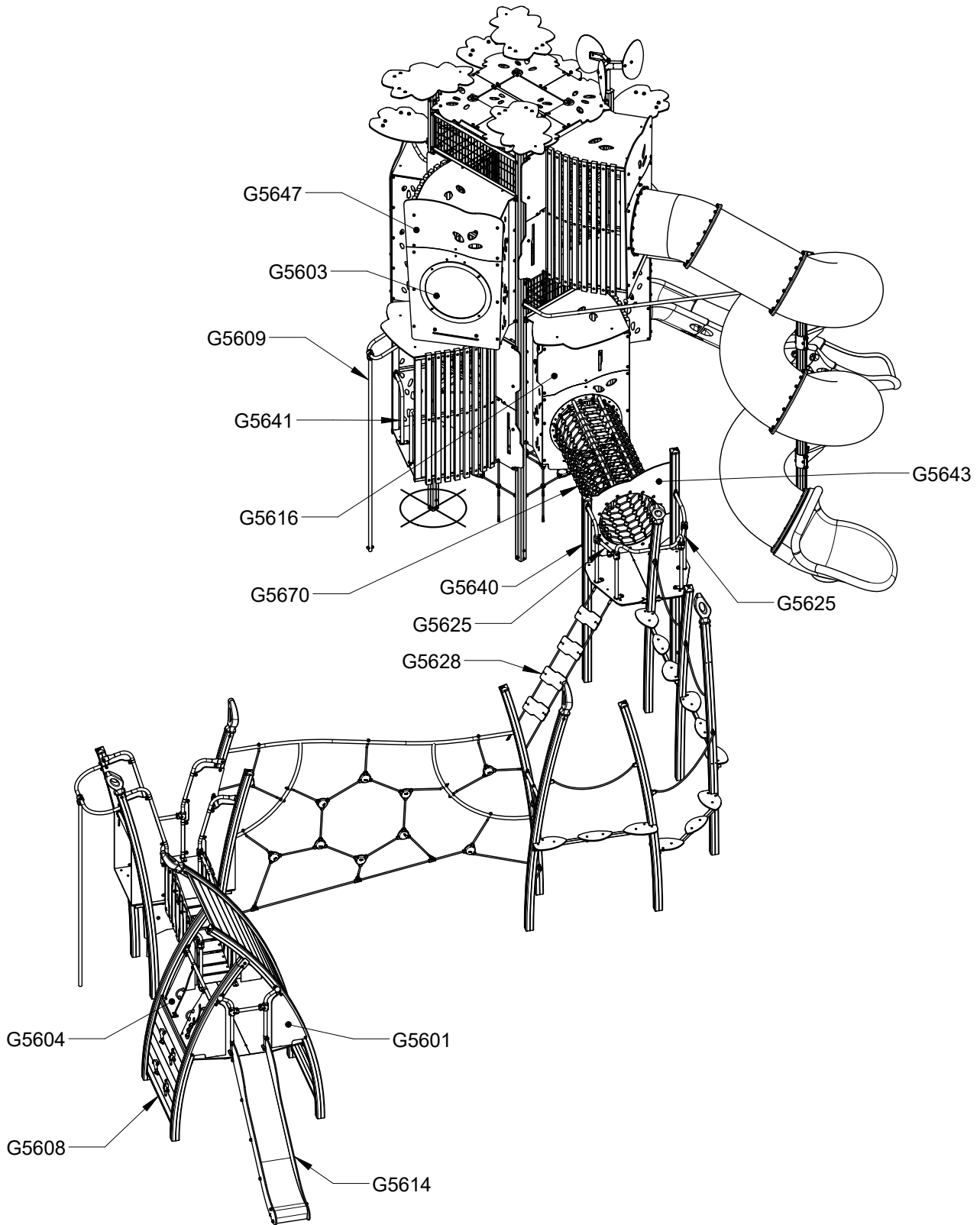
EN1176-1:2017
EN1176-3:2017

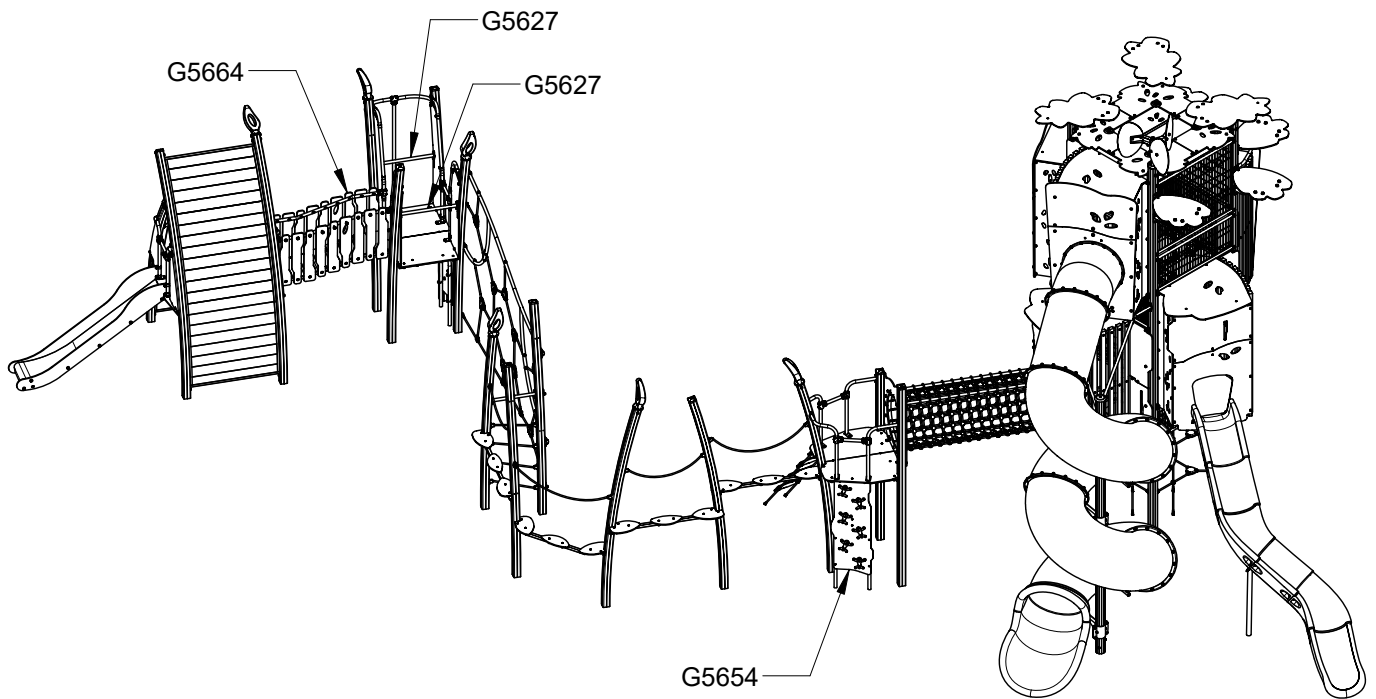




G5600A	1
G5601	2
G5603	1
G5604	1
G5607	1
G5608	1
G5609A	1
G5614A	1
G5616	1
G5618	1
G5625	3
G5627	2
G5628A	1
G5633A	1
G5636A	1
G5638	1
G5639	1
G5640A	1
G5641	1
G5643	1
G5647	2
G5654A	1
G5662A	1
G5664	1
G5670	1
G5671	1
G5681A	1
G56100	1
G56113A	1
G56121A	1

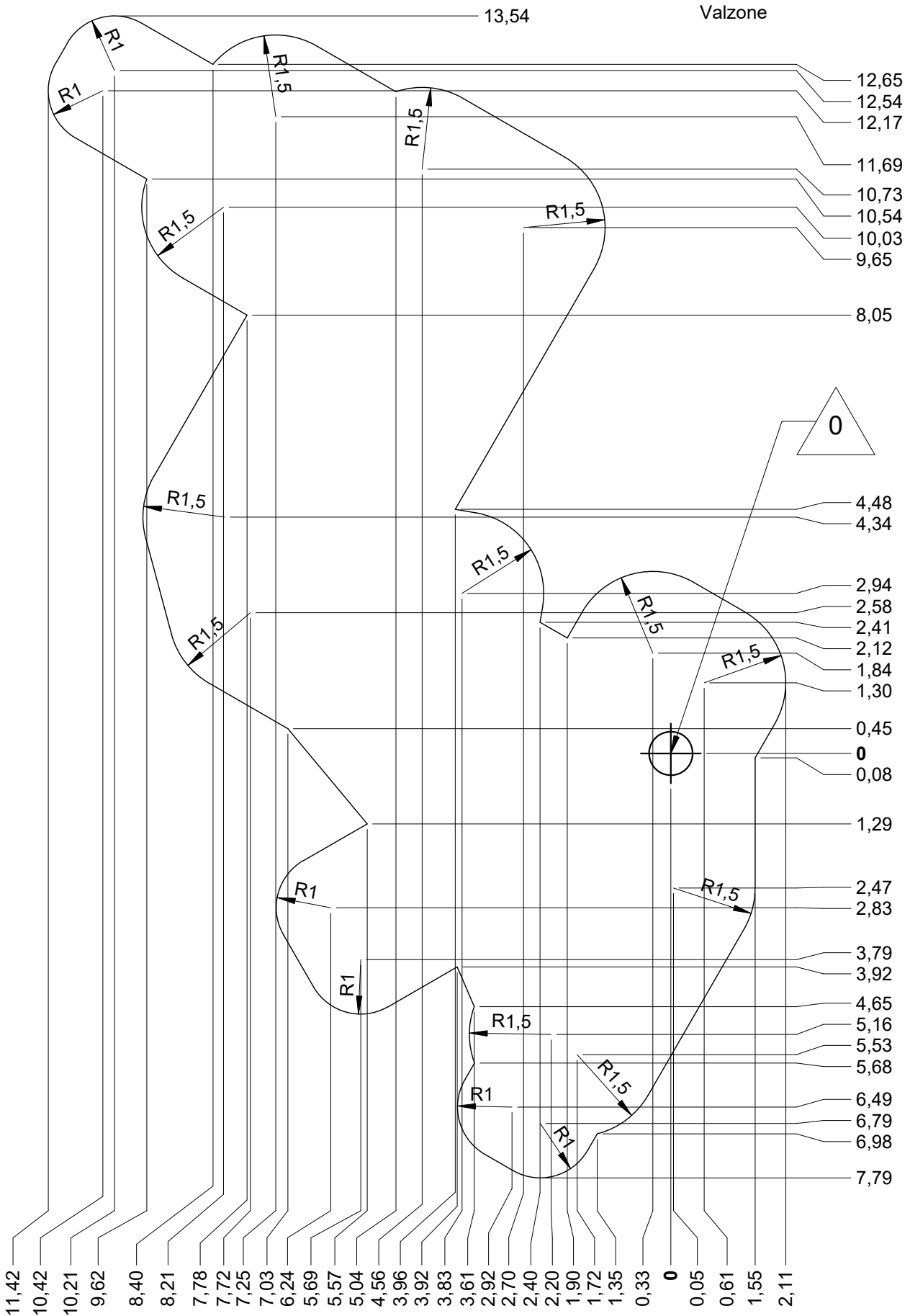






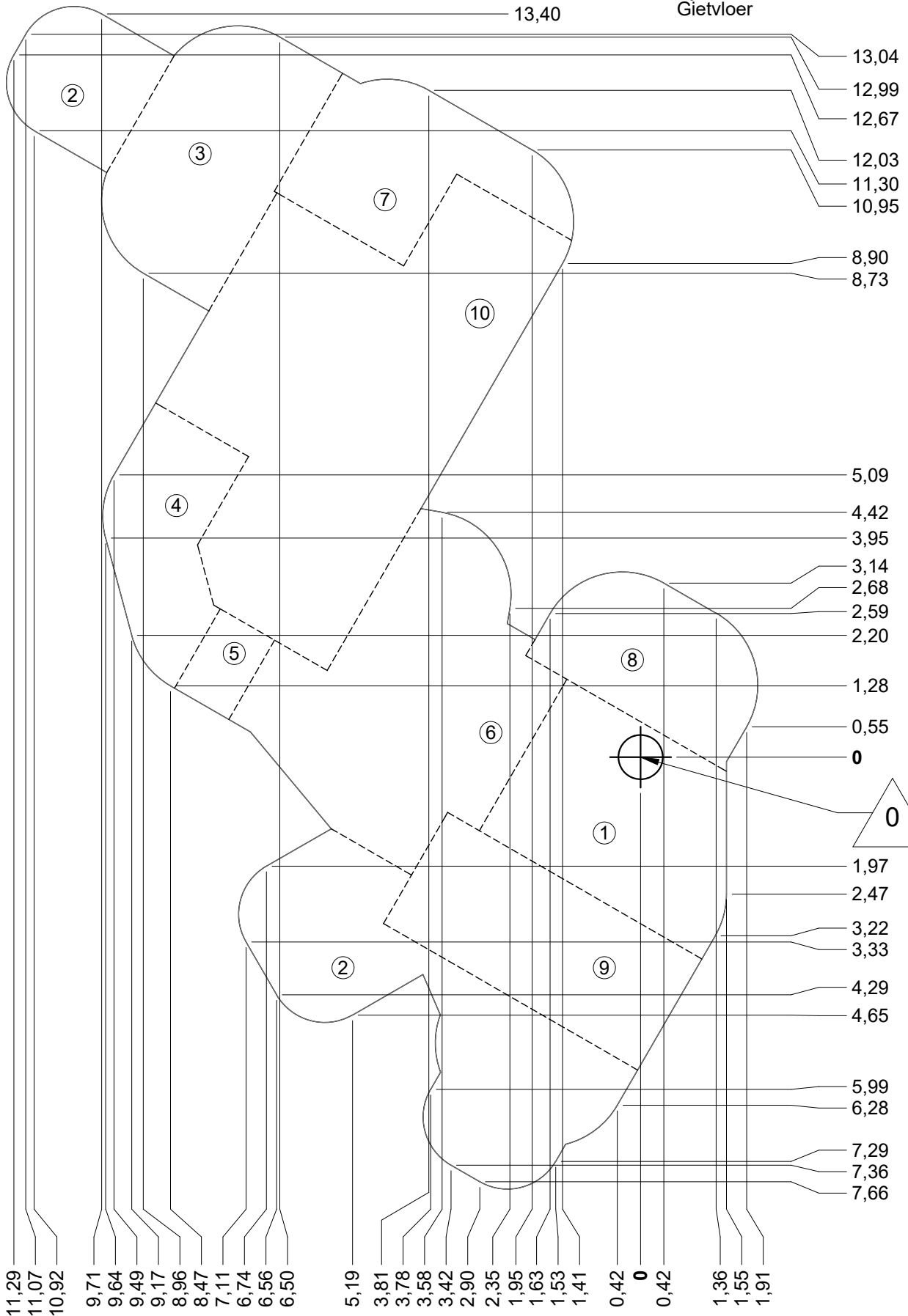
— Zone d'impact
 Impact area
 Area de impacto
 Fallraum
 Valzone

148 m²



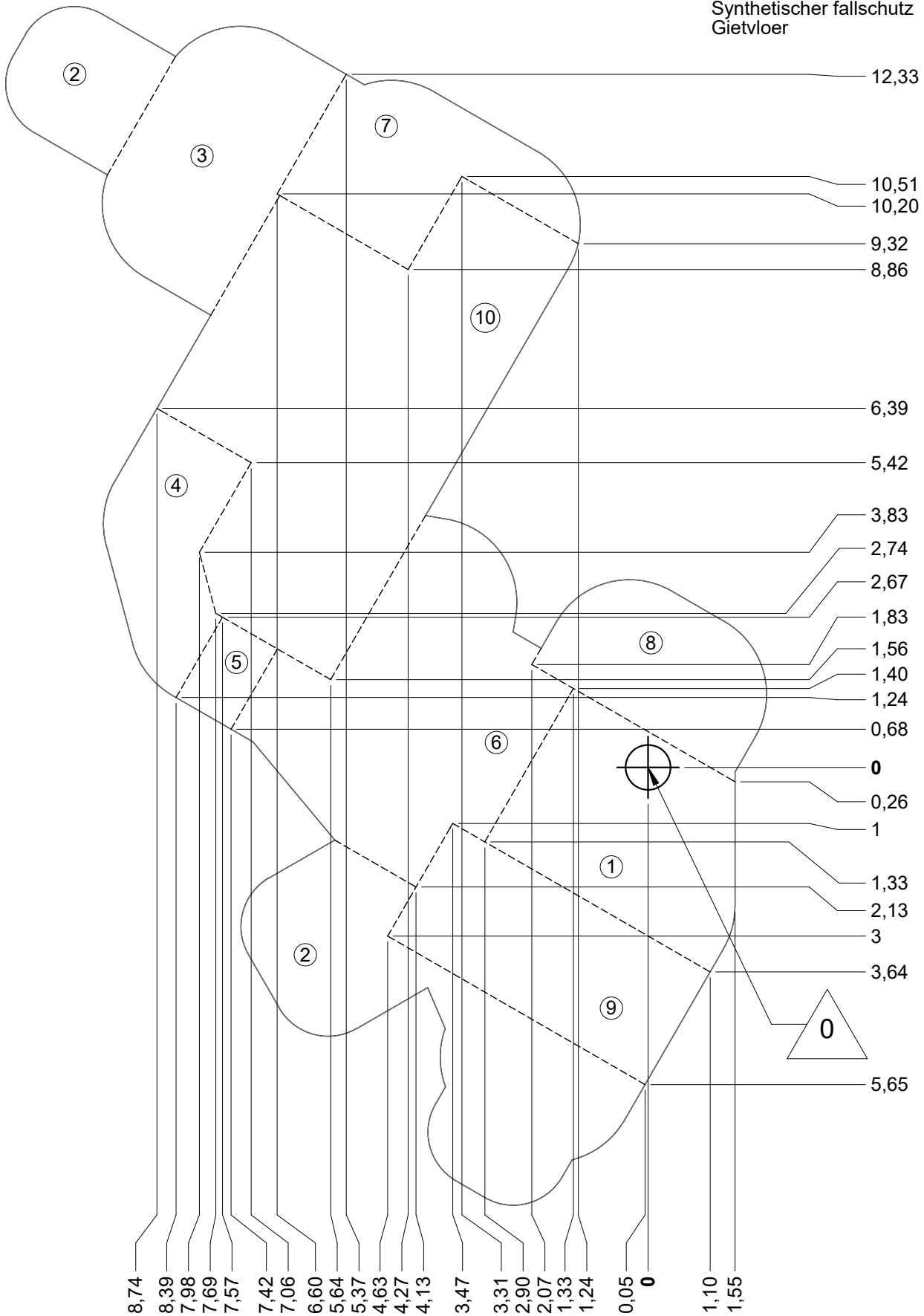
— Sol souple
 Wetpour
 Caucho continuo
 Synthetischer fallschutz
 Gietvloer

148 m²



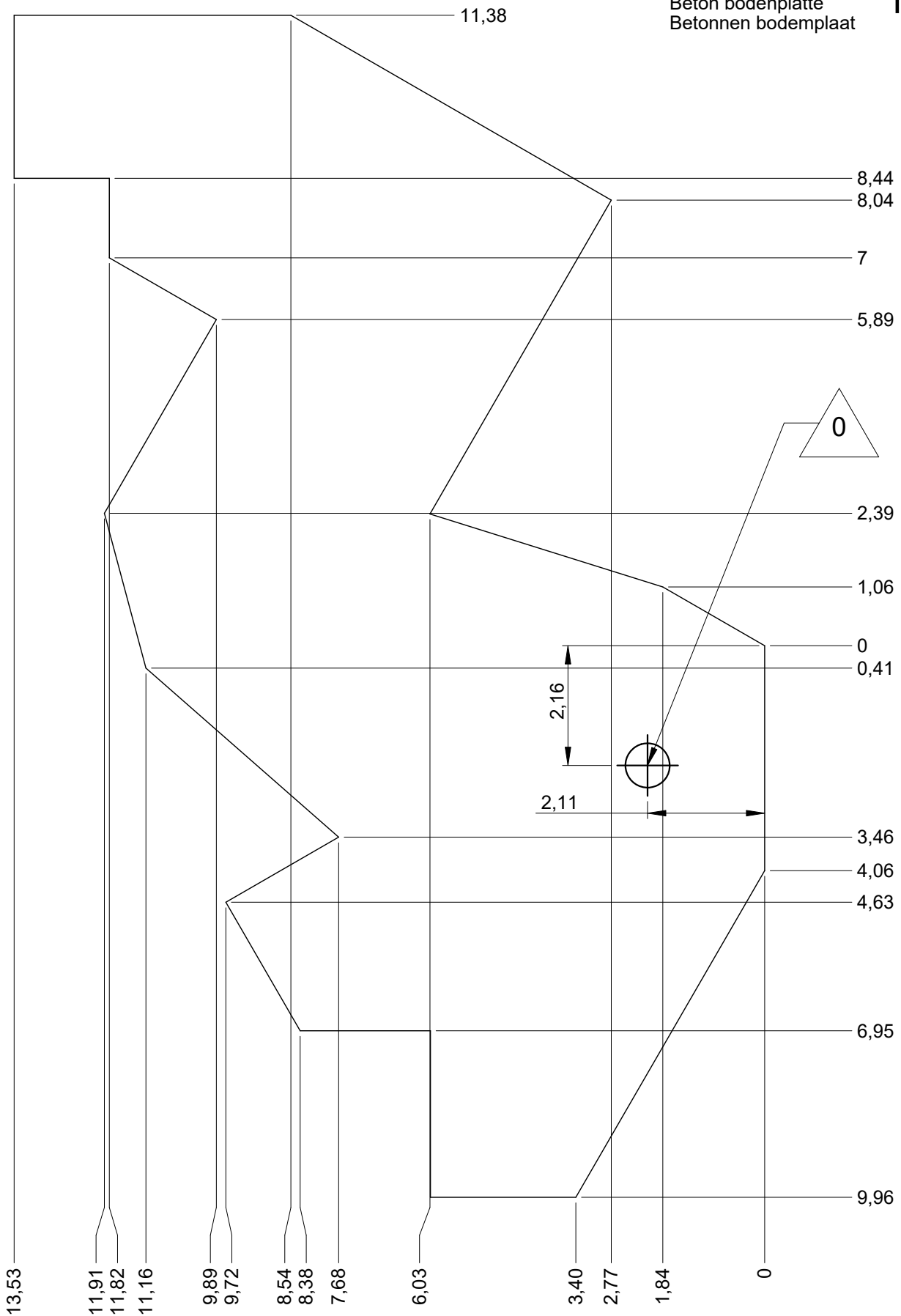
— Sol souple
 — Wetpour
 — Caucho continuo
 — Synthetischer fallschutz
 — Gietvloer

148 m²

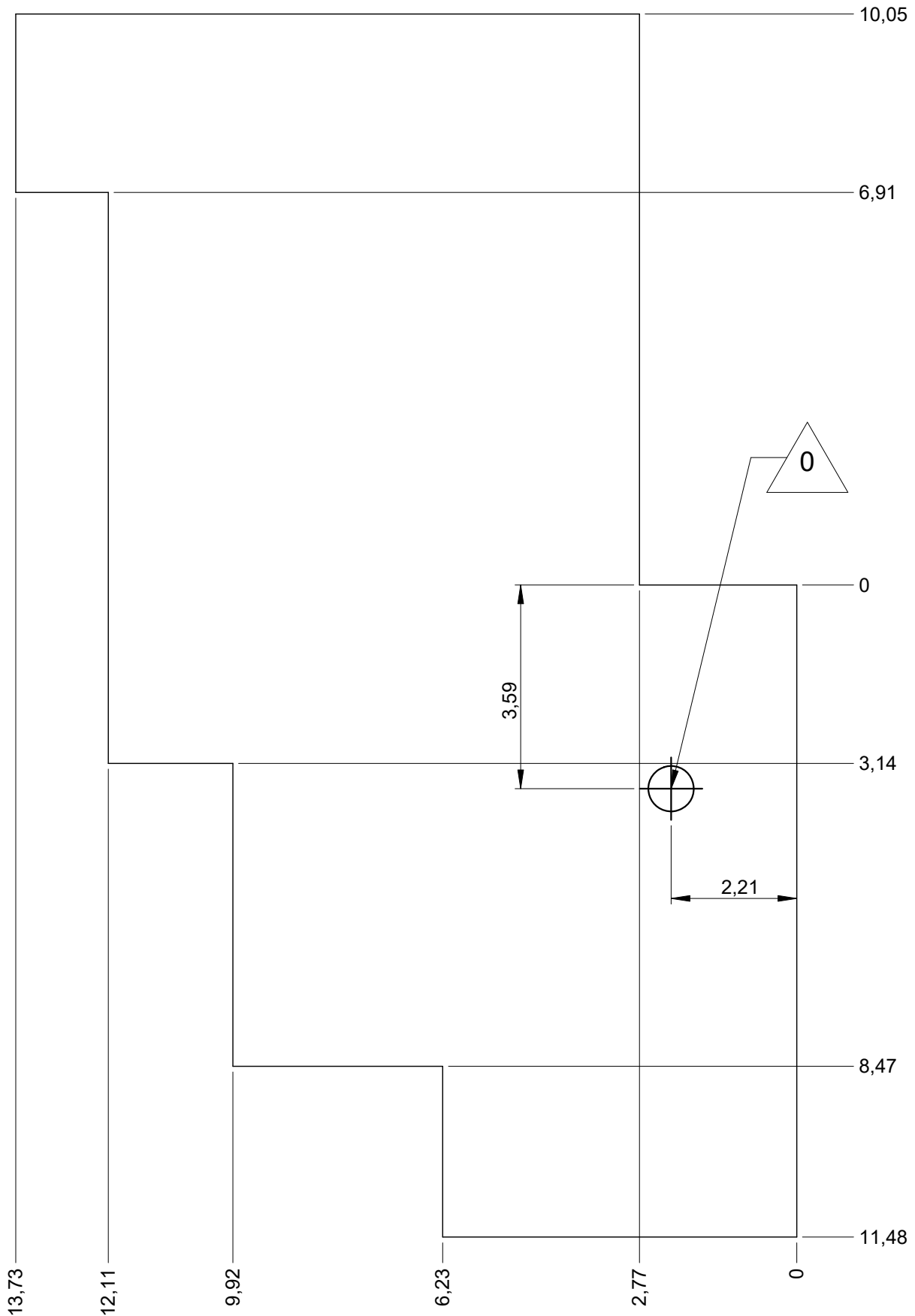


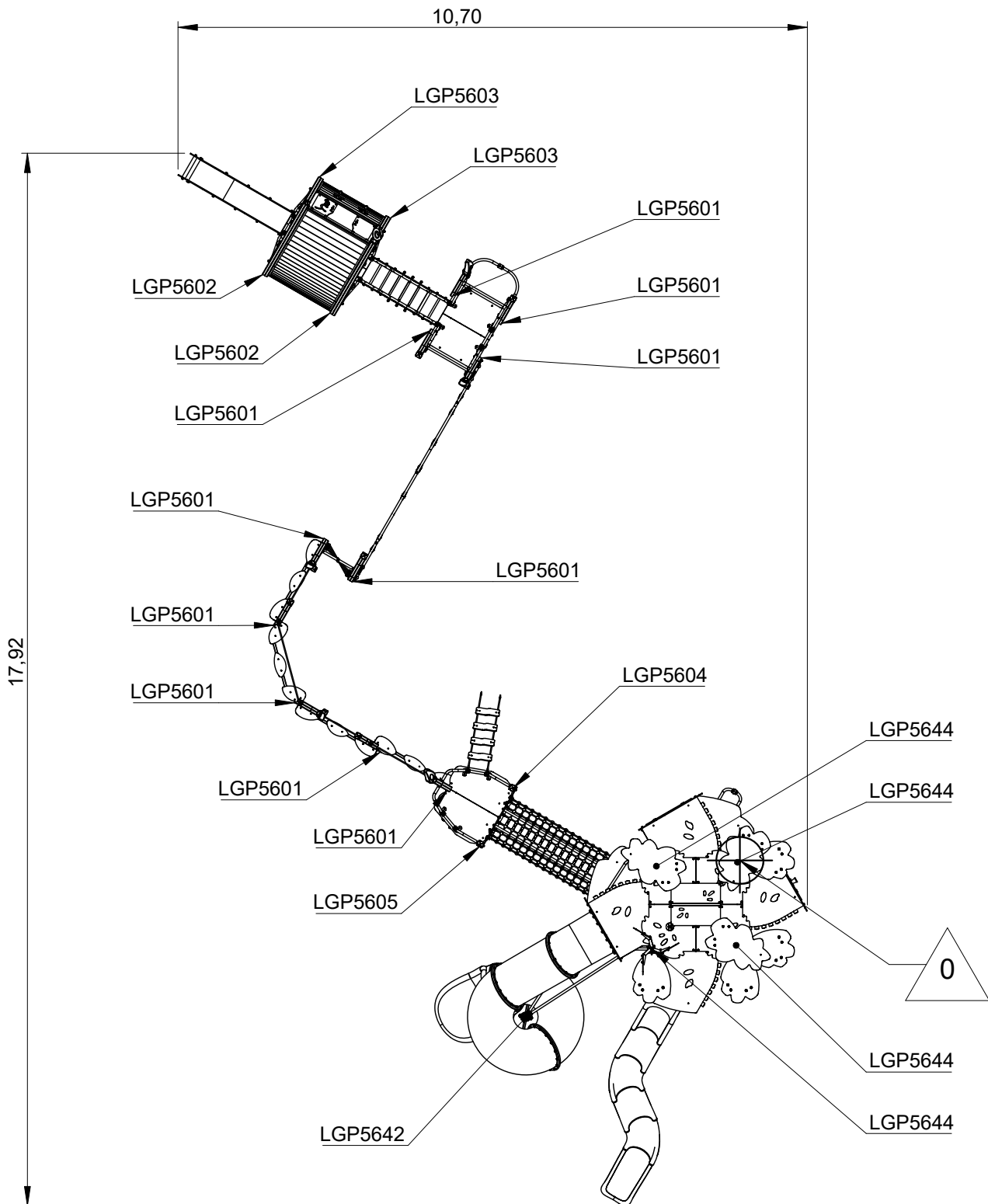
— Dalle béton
 Concrete pad
 Solera de hormigon
 Beton bodenplatte
 Betonnen bodemplaat

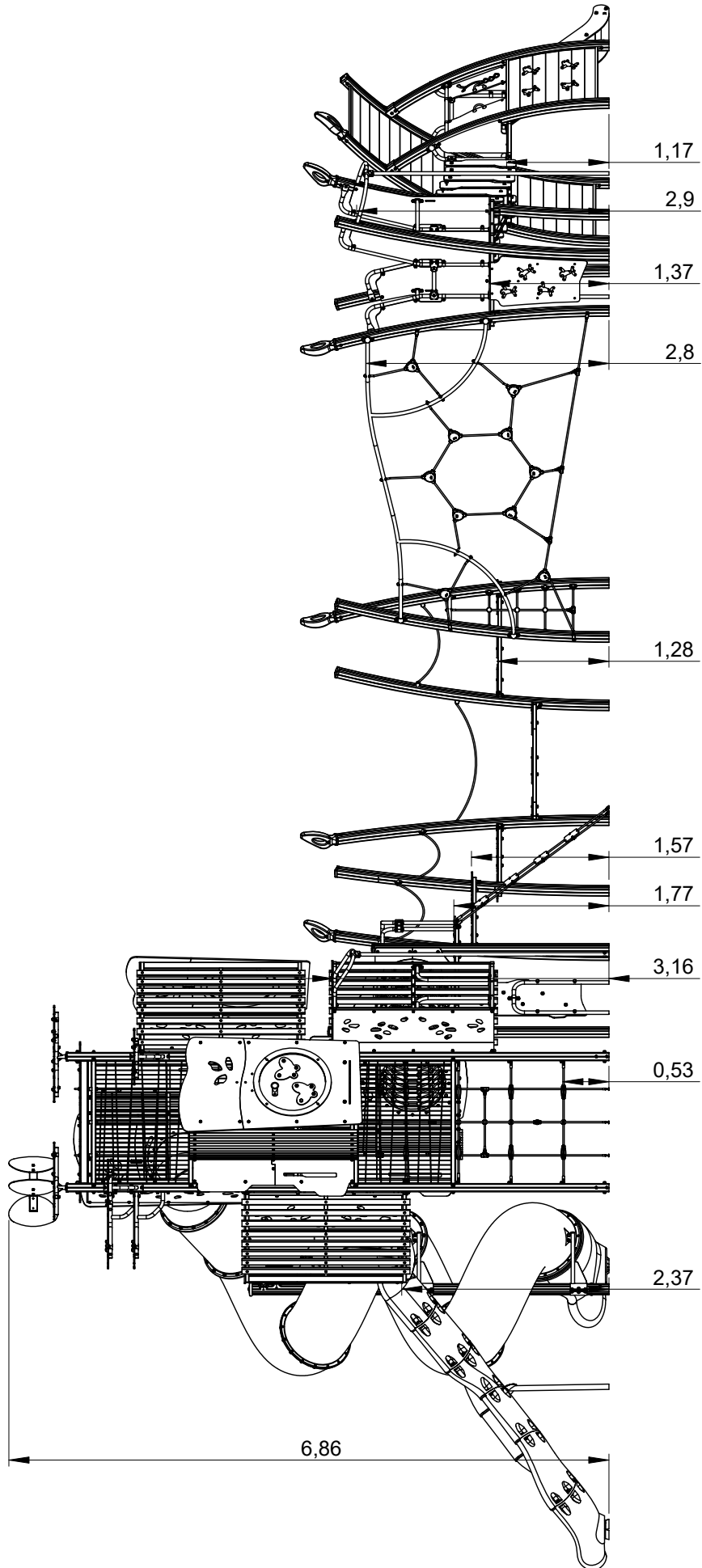
69 m
 158 m²



— Sol fluent
 Loos partucule material 72 m
 Arenero
 Loses Bodenmaterial 209 m²
 Los bodemmaterial

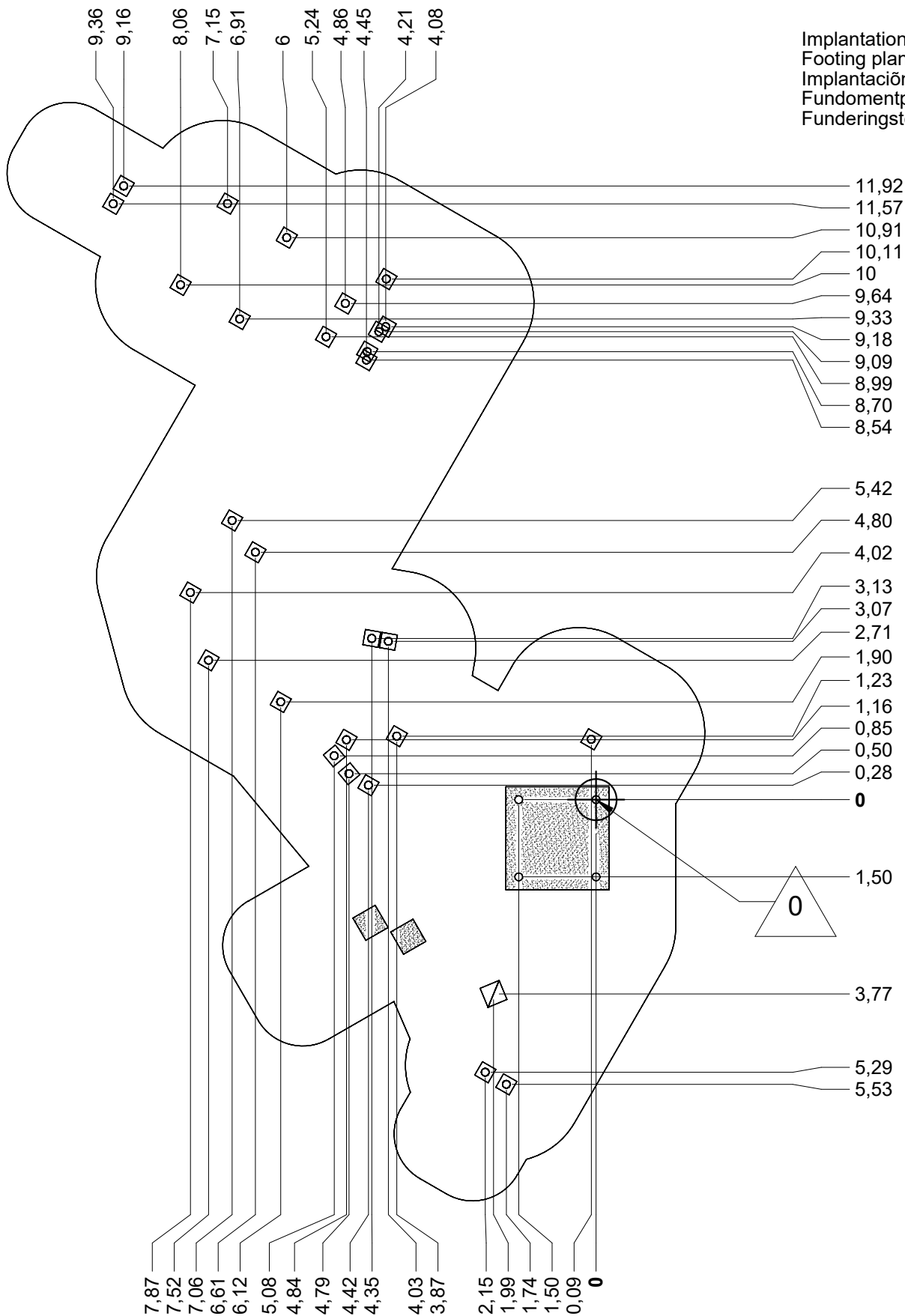






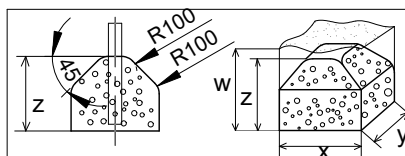
J56102A


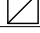
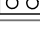
Proludic



Implantation
 Footing plan
 Implantación
 Fundamentplan
 Funderingstekening

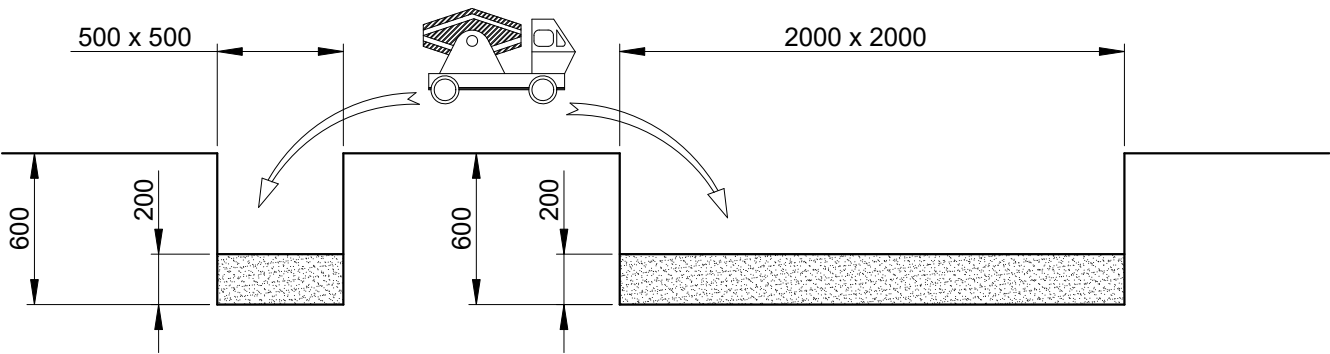
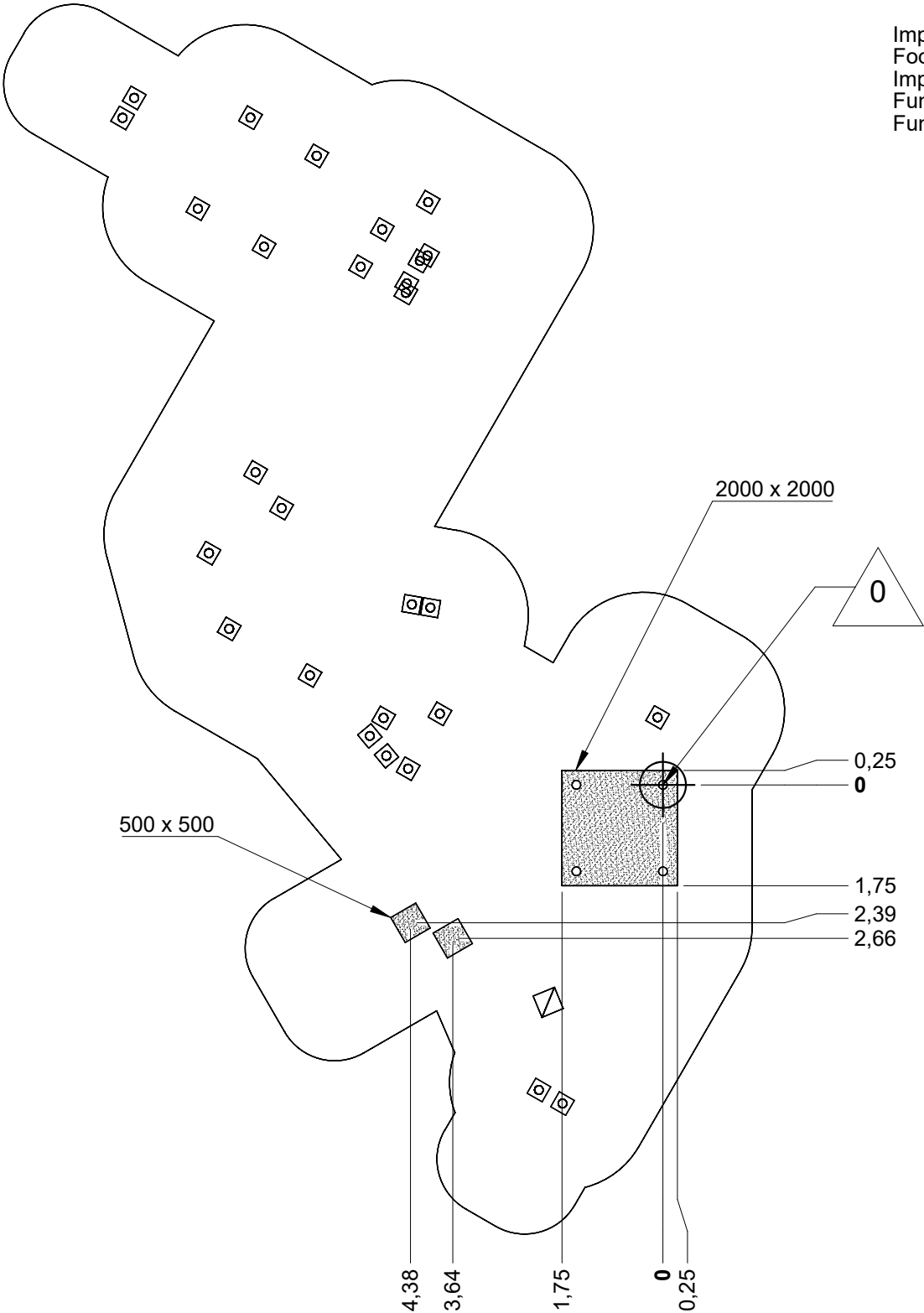
 x3
 52H
 2 m³



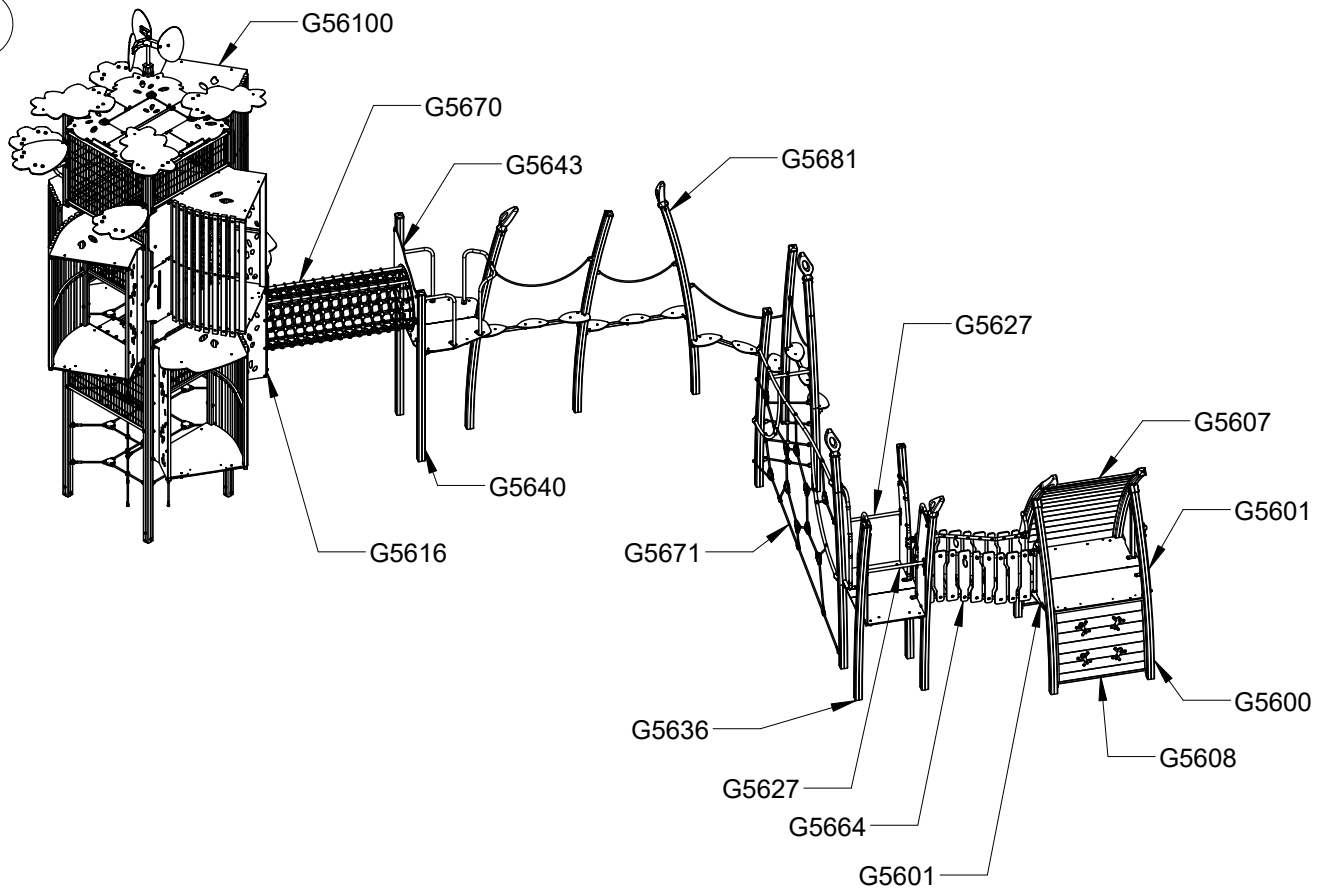
	x	y	z	w
	0.3	0.3	0.3	0.6
	0.4	0.4	0.3	0.6
				

J56102A

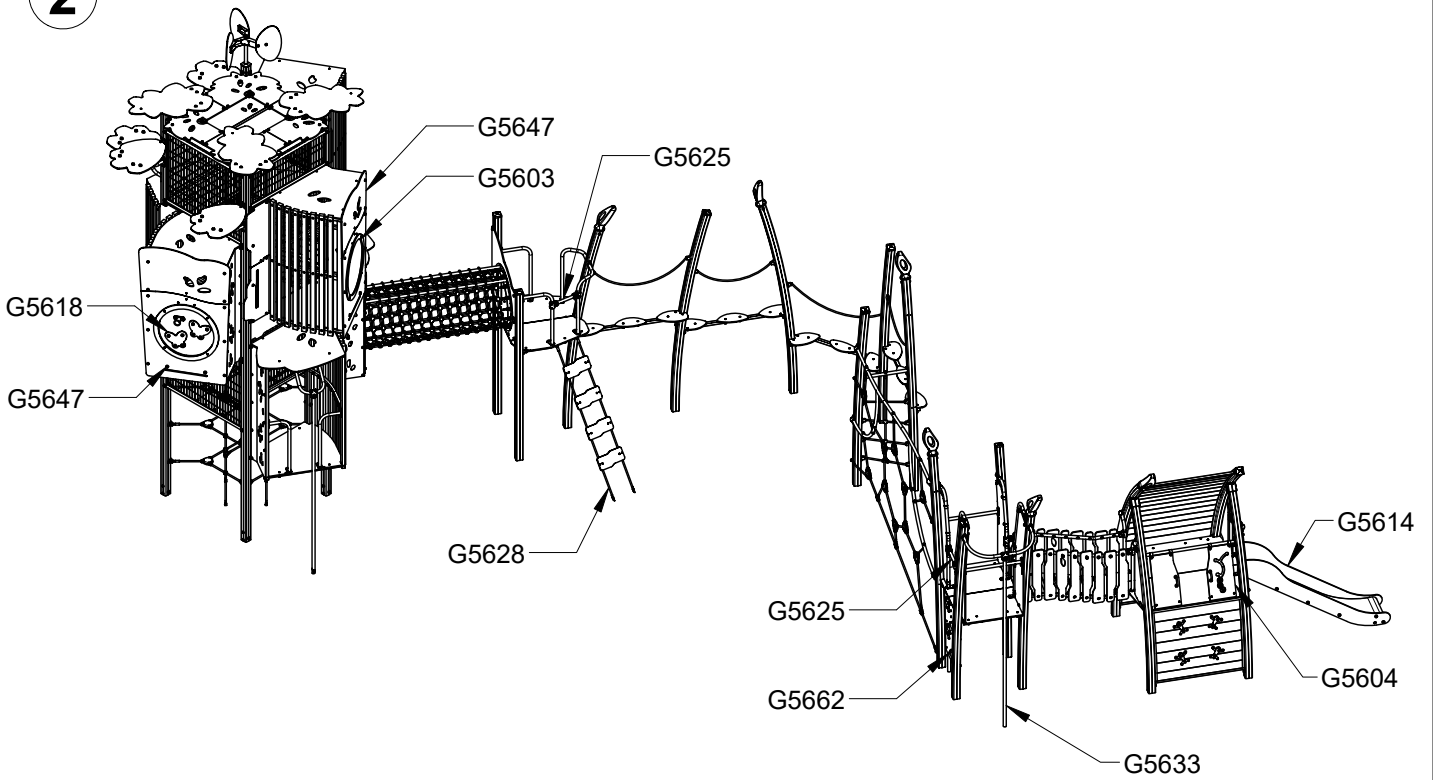
Implantation
Footing plan
Implantación
Fundamentplan
Funderingstekening



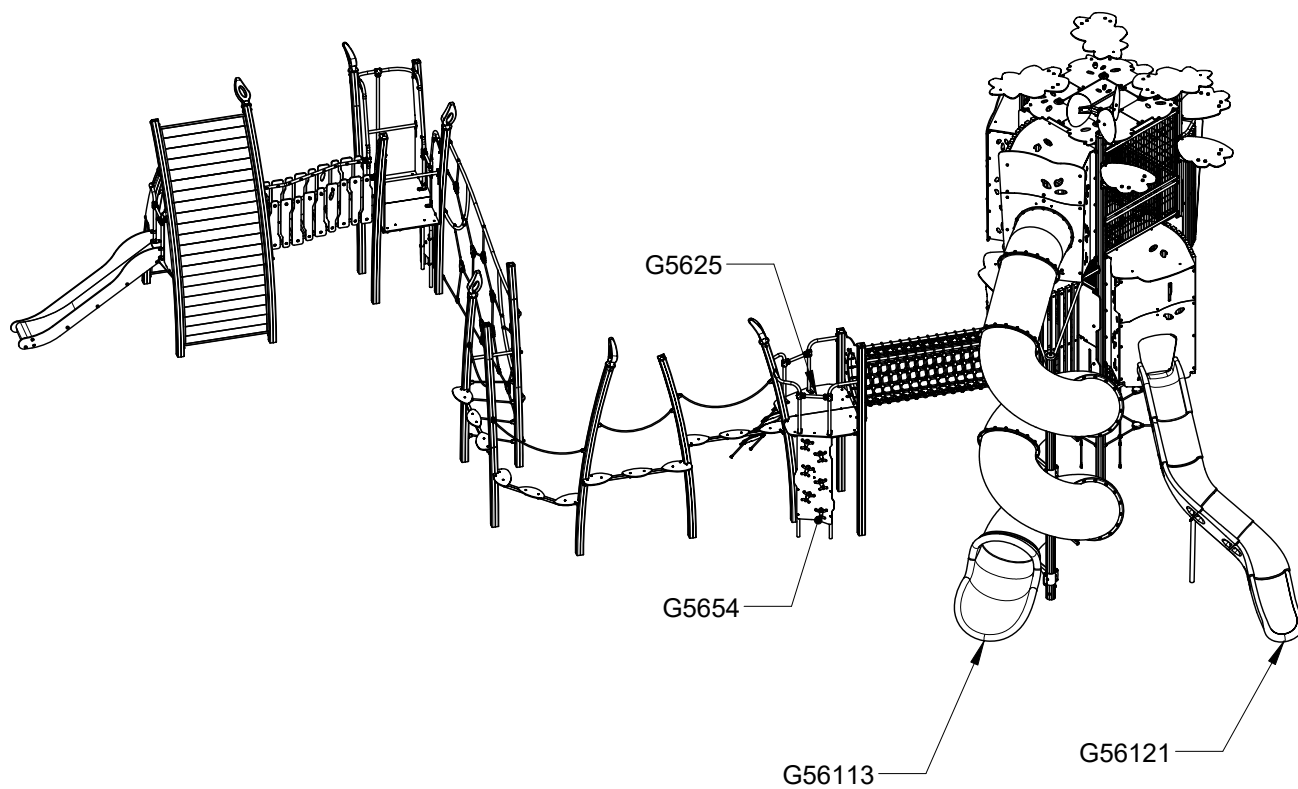
1



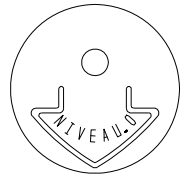
2



3

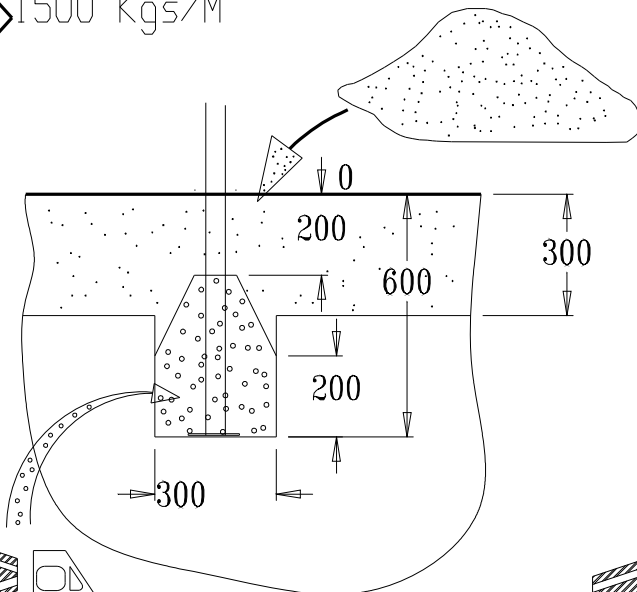
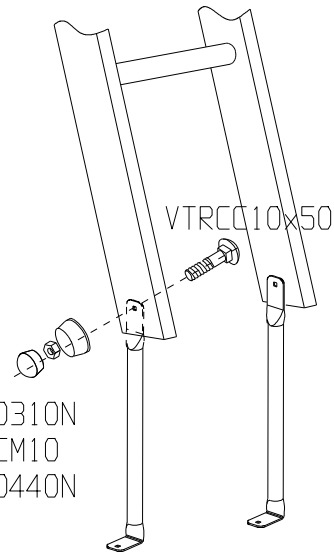
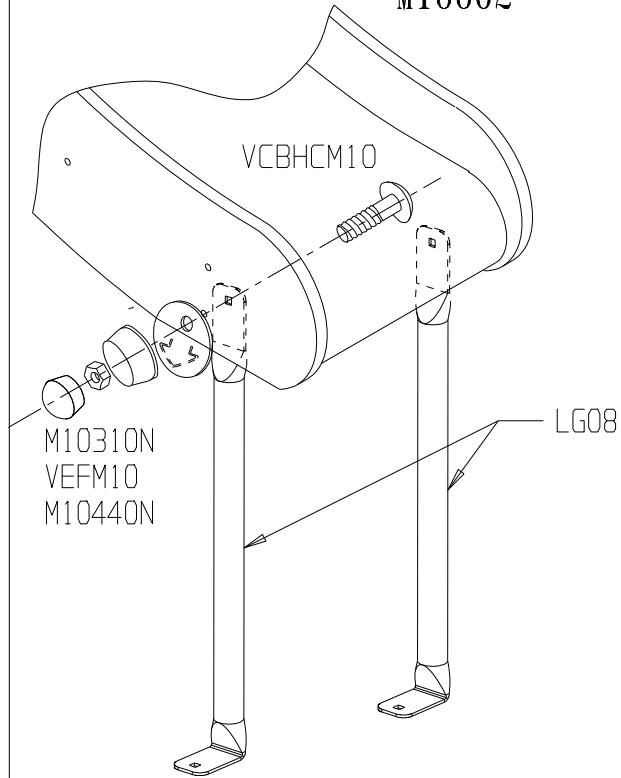
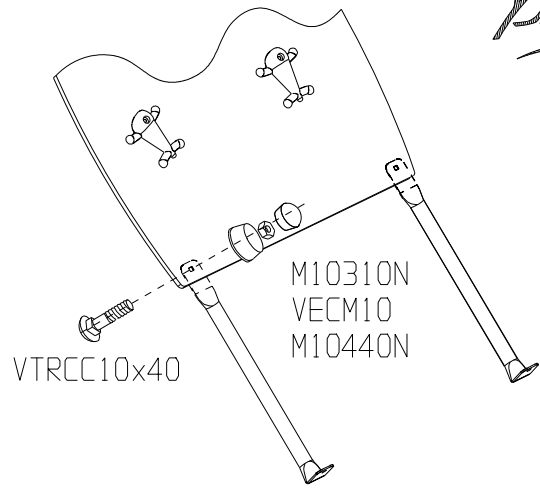


A

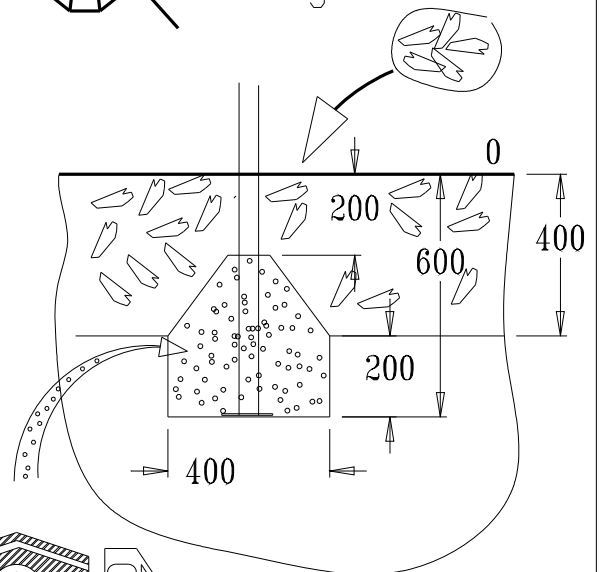


MI0002

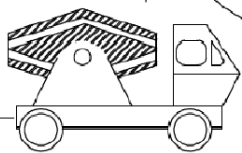
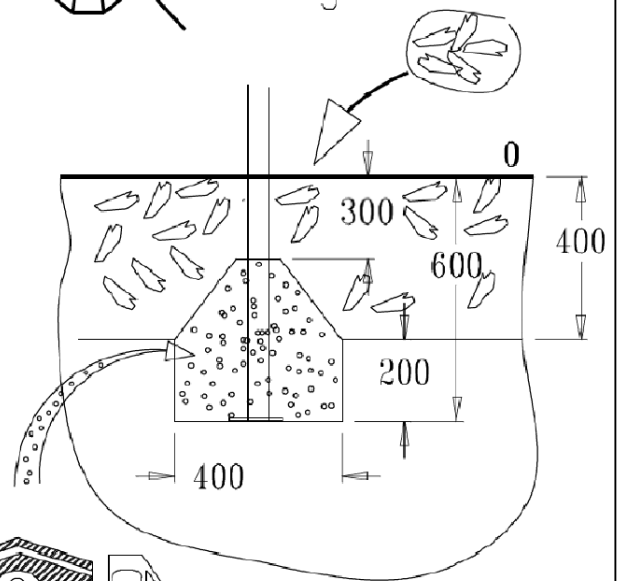
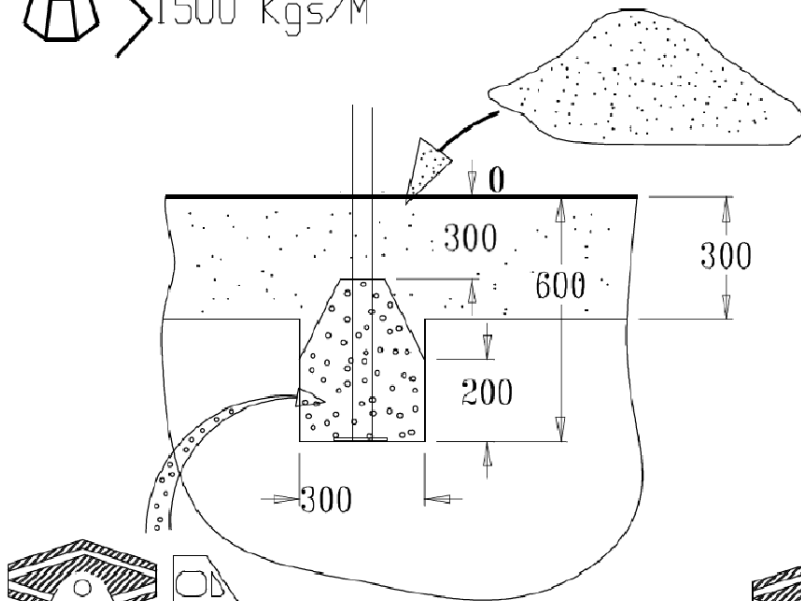
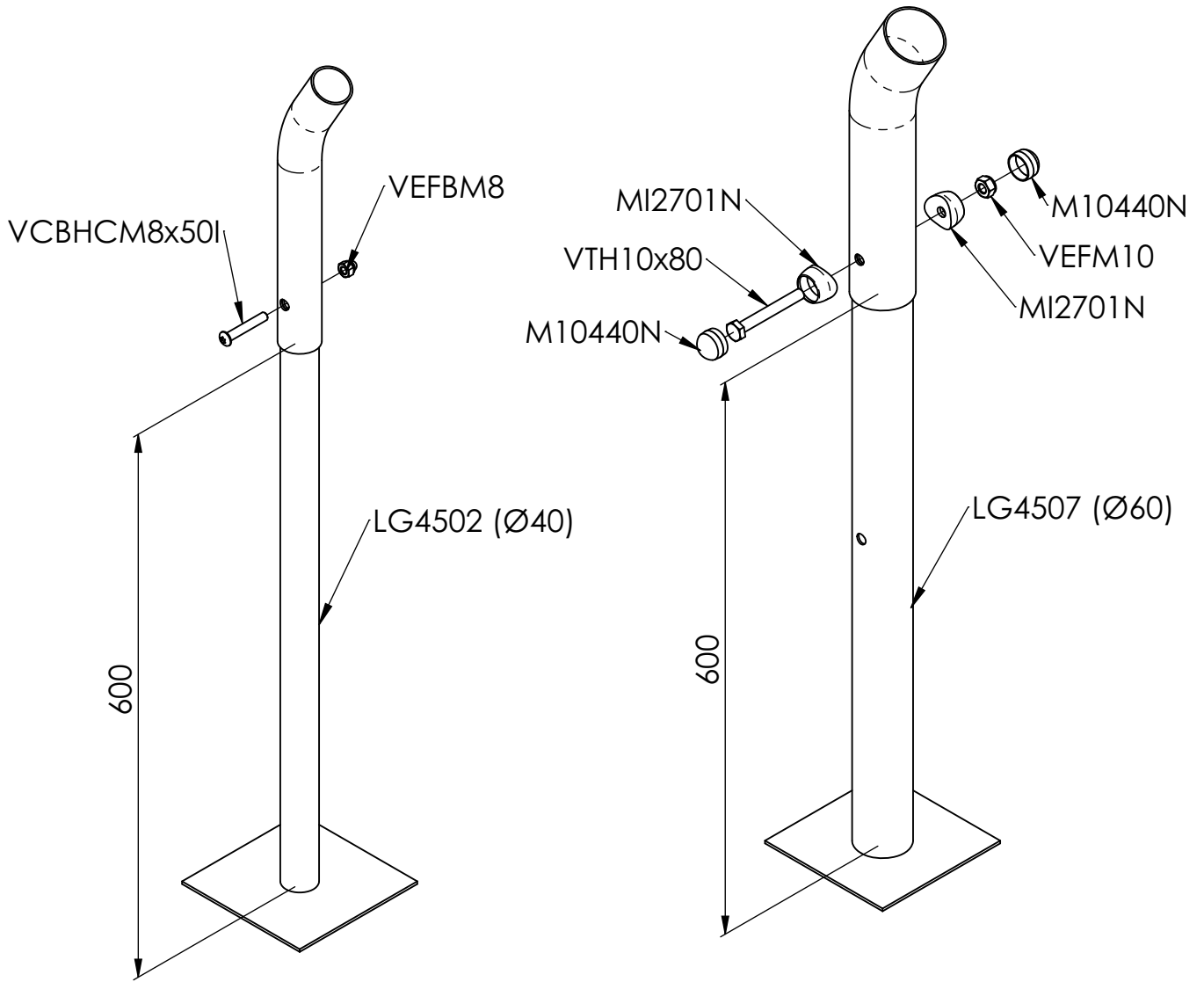
Proludic



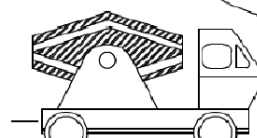
50 Kgs



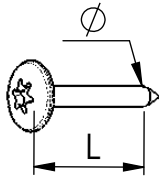
90 Kgs



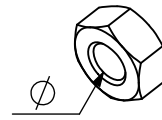
50 Kgs



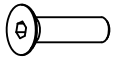
90 Kgs



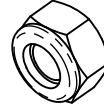
VBT 6 x 30
 \varnothing \uparrow L (mm)



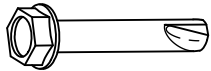
VEC M10
 \varnothing



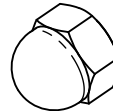
VFHC



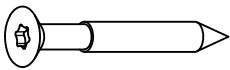
VEF



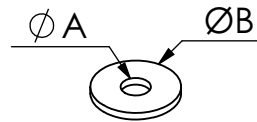
VTHA



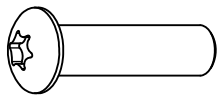
VEB



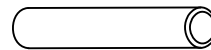
VWT



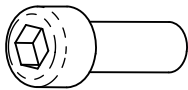
VR6x18
 $\varnothing A$ $\varnothing B$



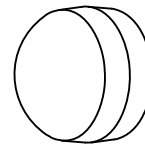
VCBHC



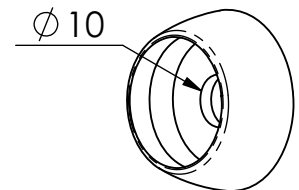
VGC



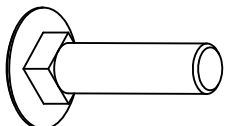
VBTR



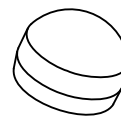
M10 440N



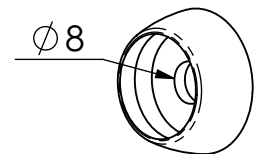
M10 310 N



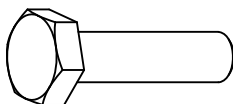
VTRCC



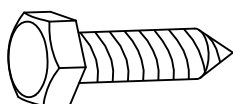
M8440N



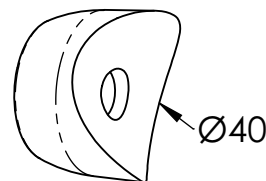
M8310N



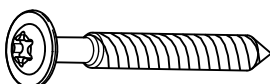
VTH



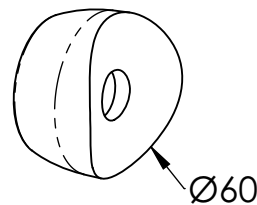
VTF



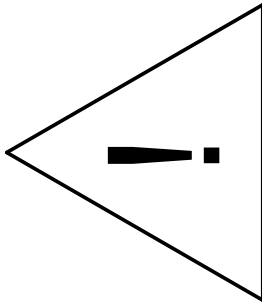
MI2503



VBT



MI2701

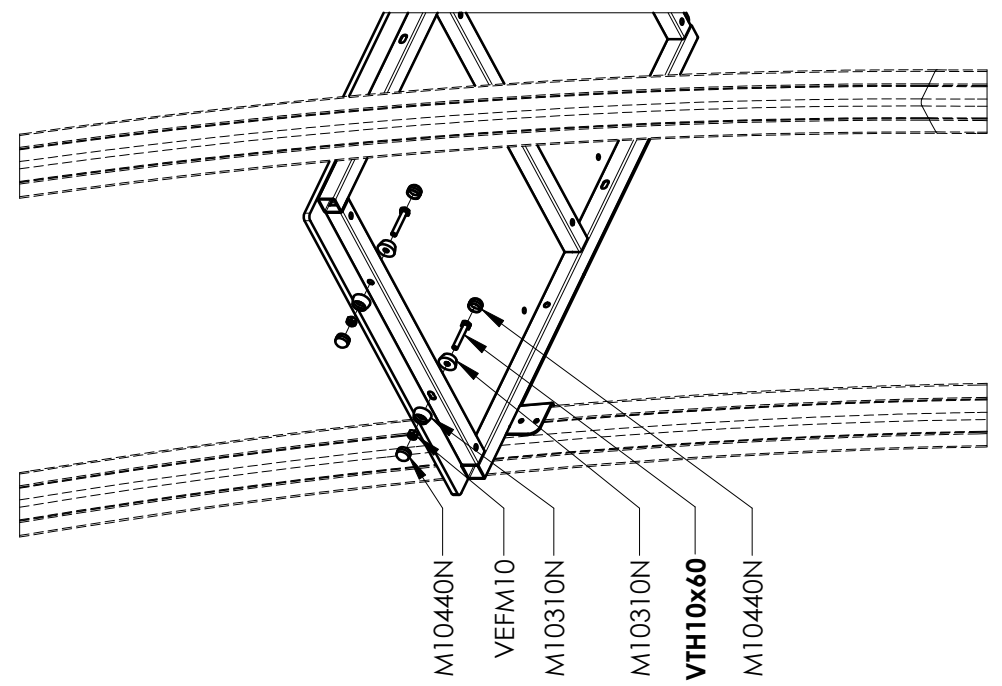
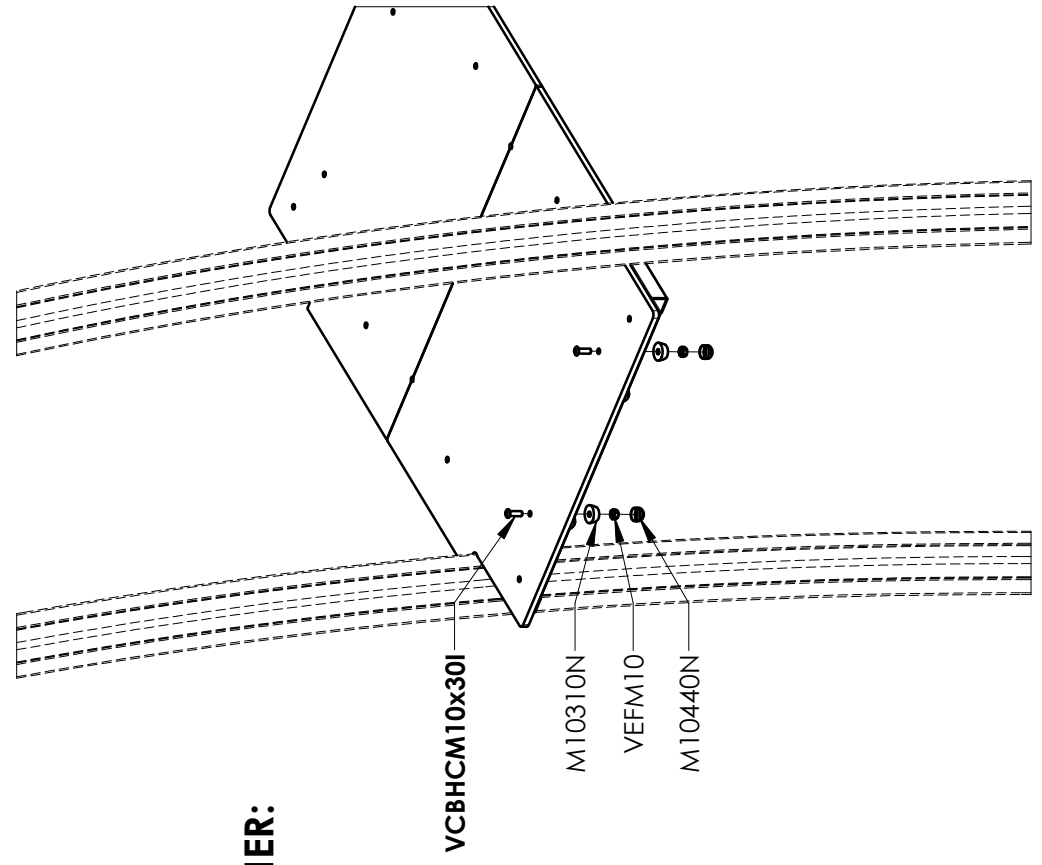


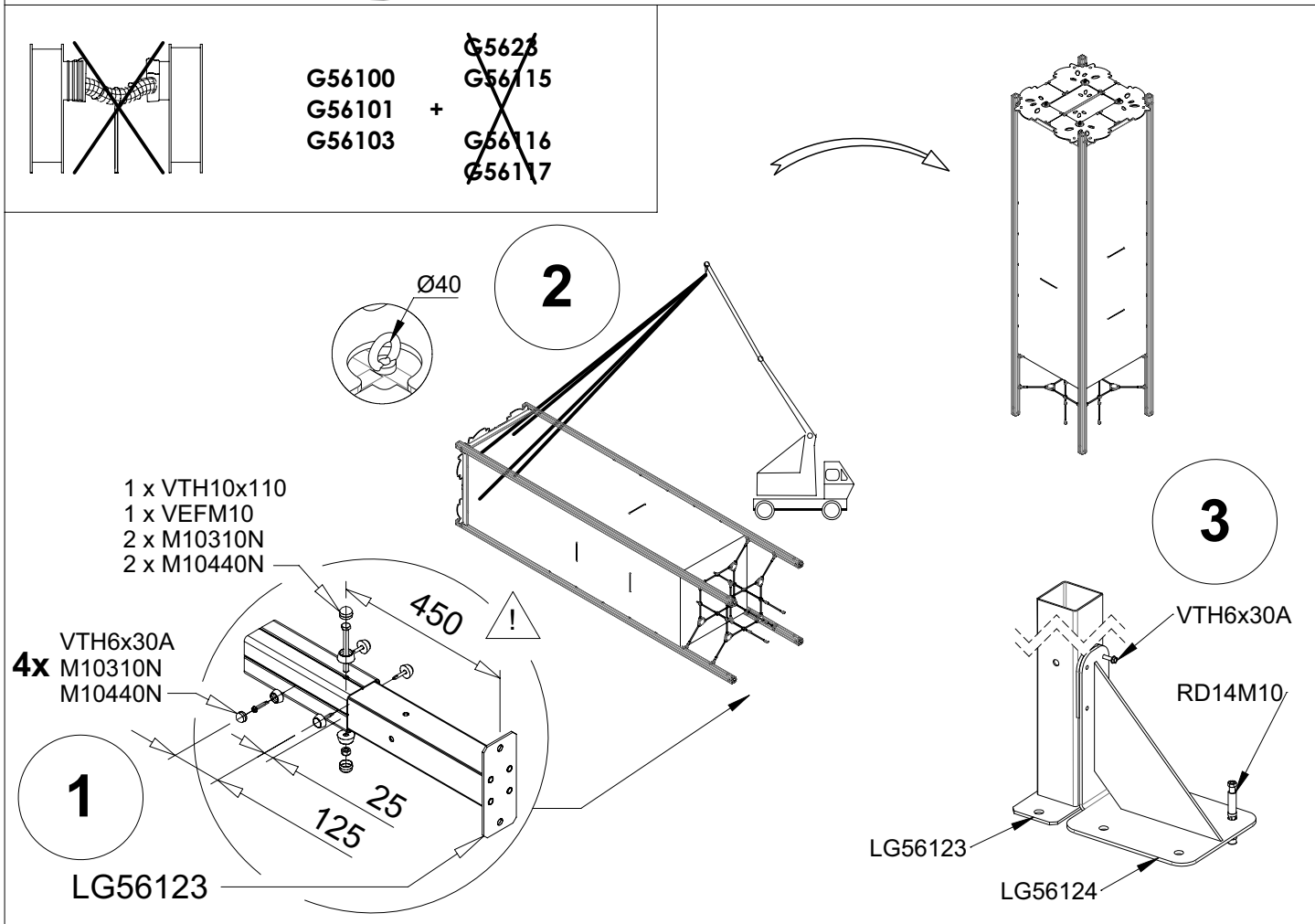
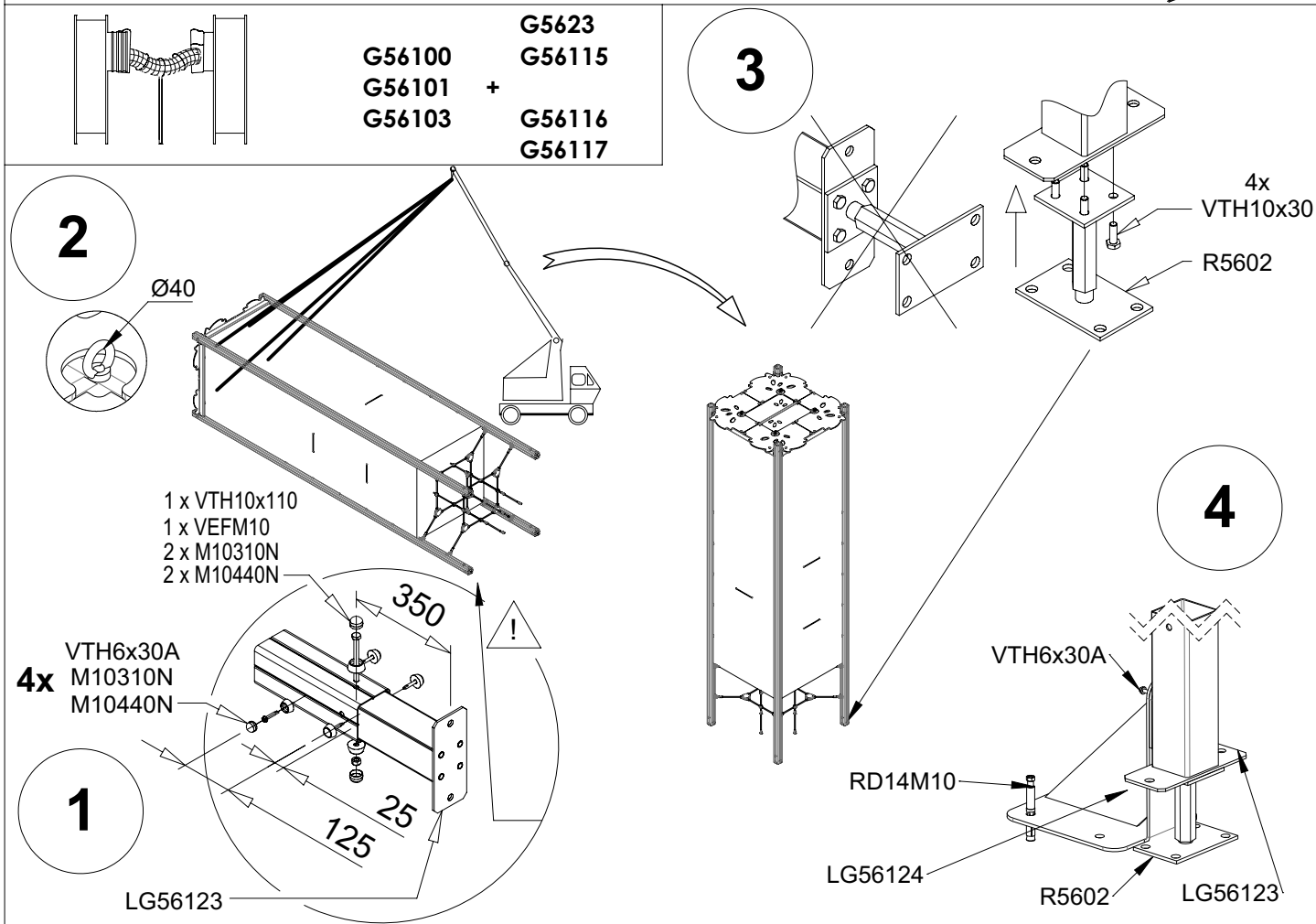
TROUS RESTÉS LIBRES:

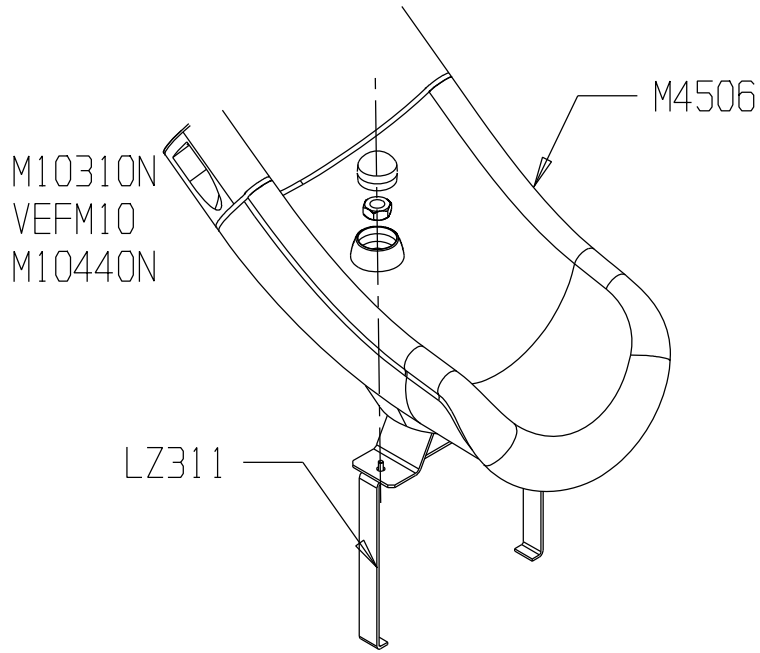
OPEN HOLES:

NICHT VERSTOPFTE LOCHER:

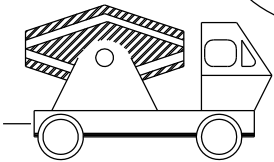
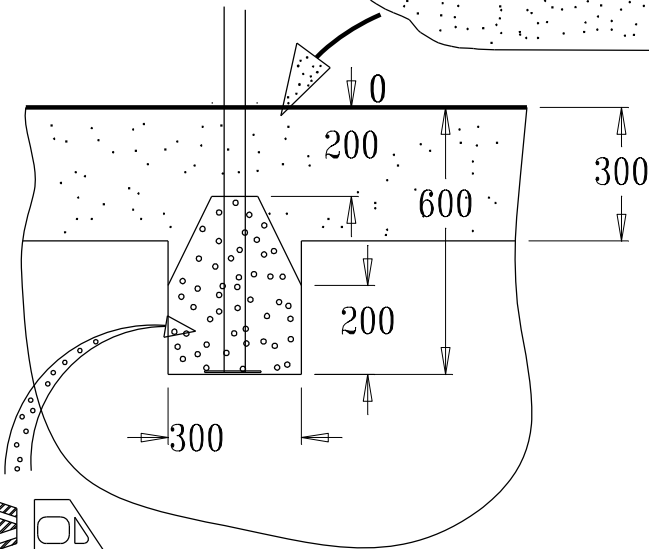
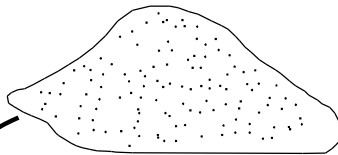
AGUJEROS A TAPAR







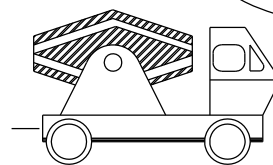
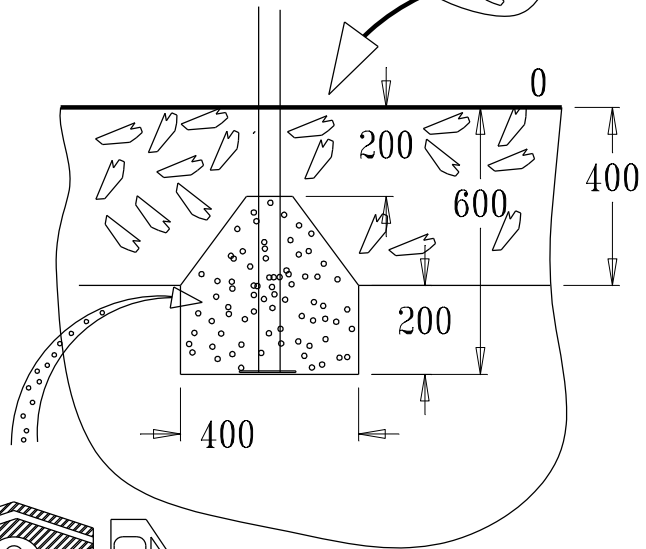
> 1500 Kgs/M³



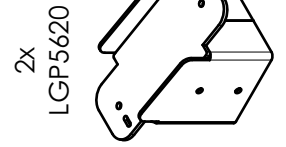
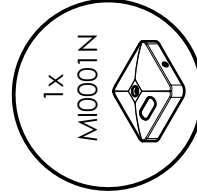
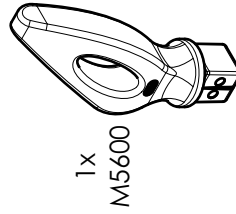
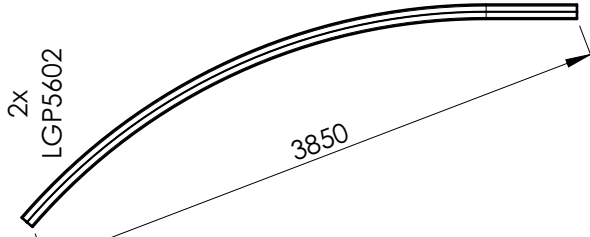
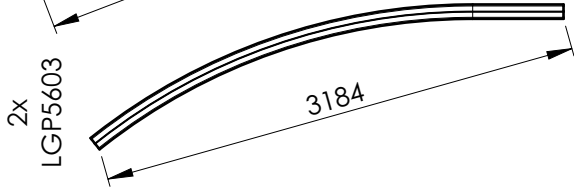
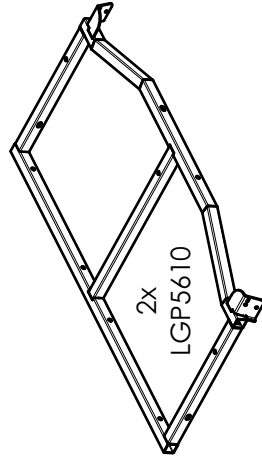
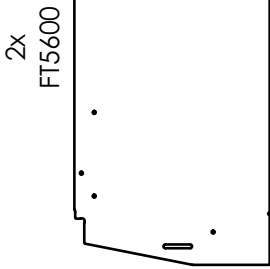
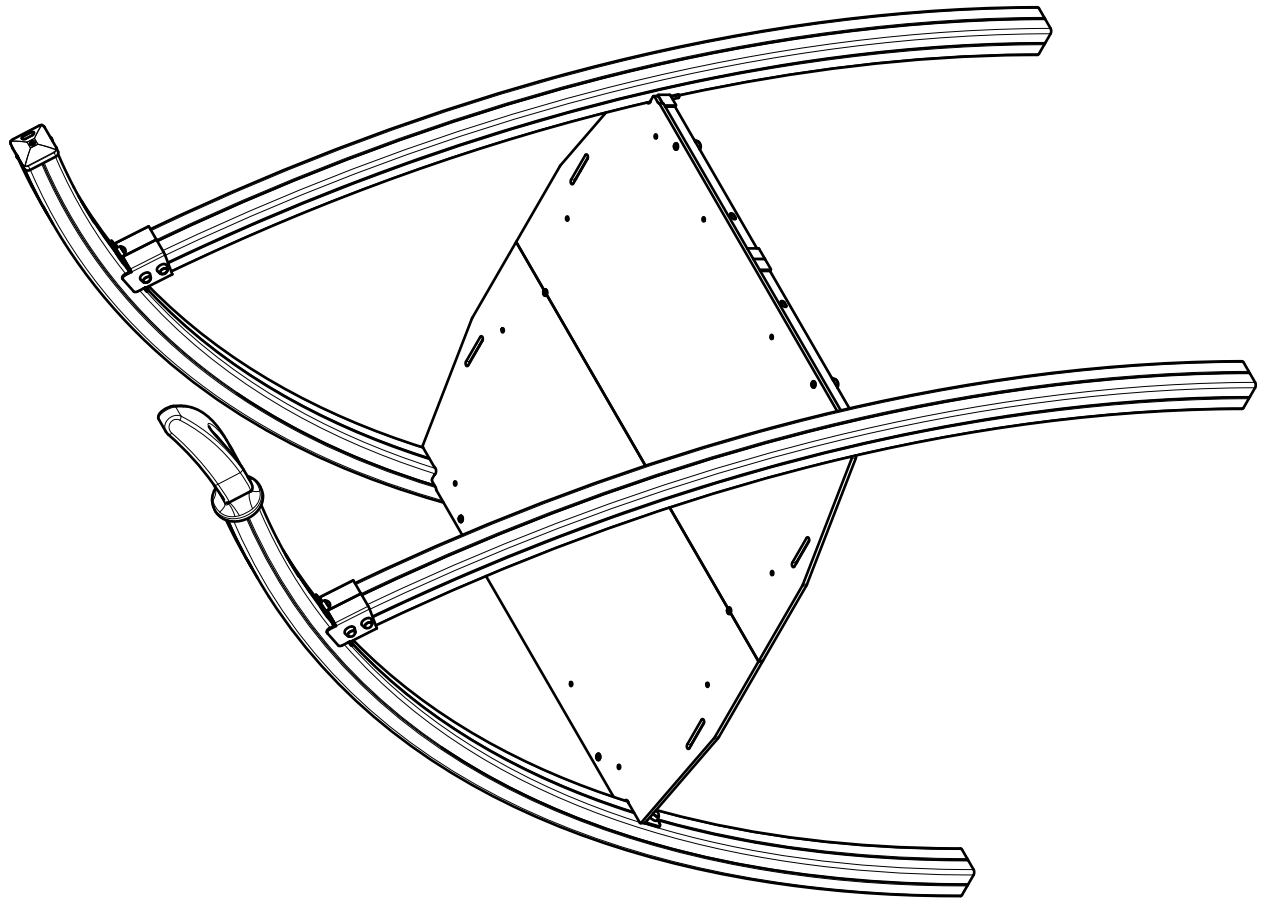
50 Kgs



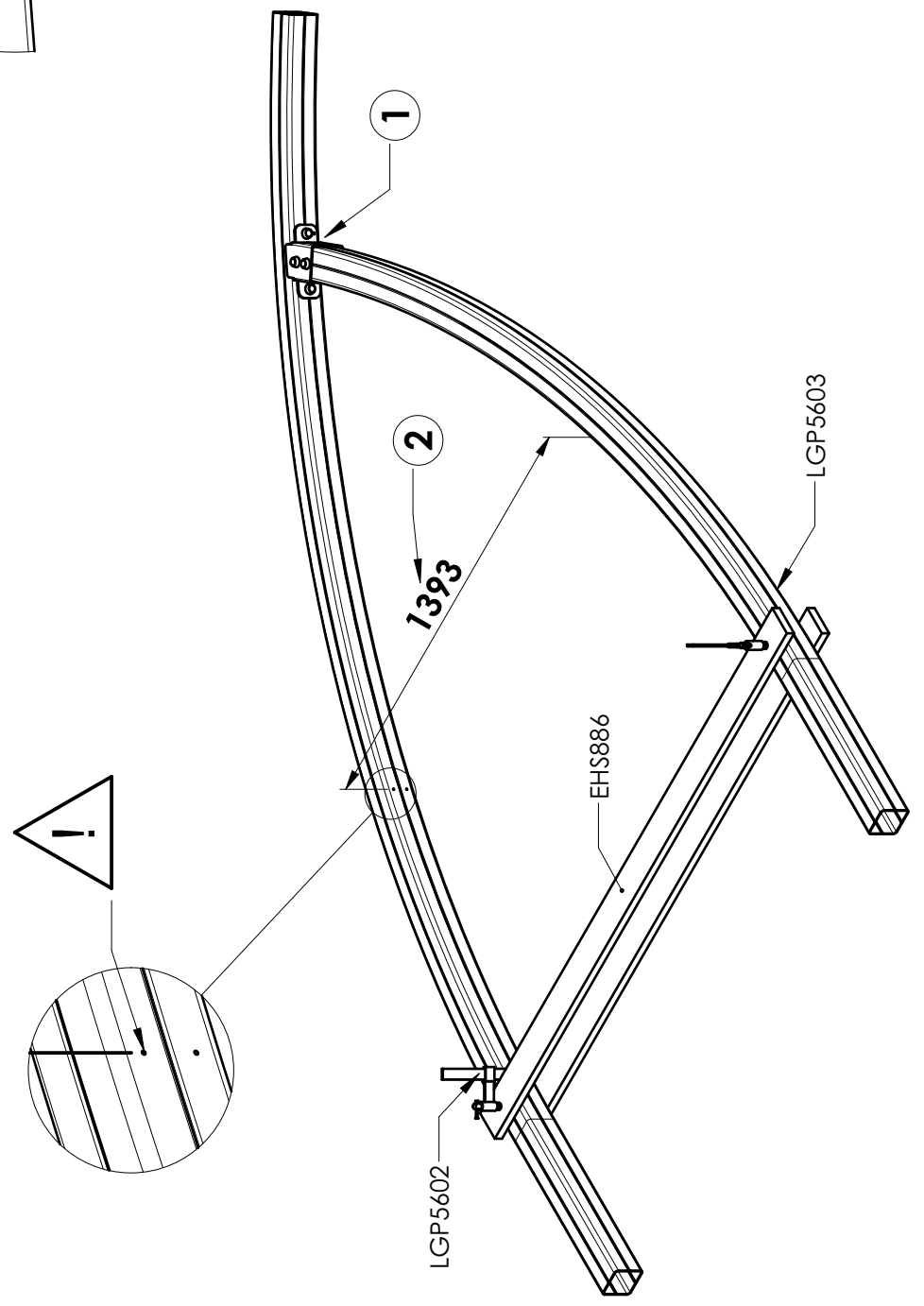
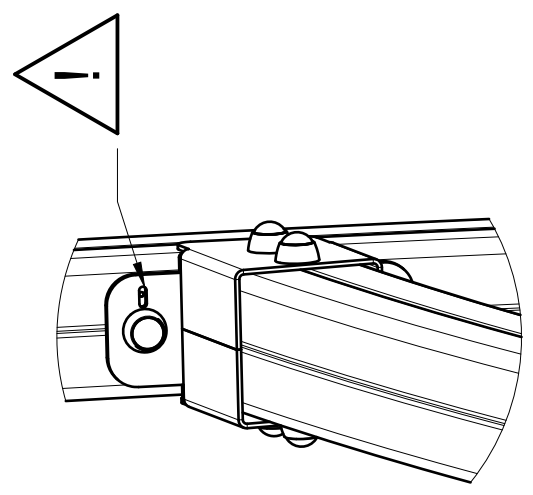
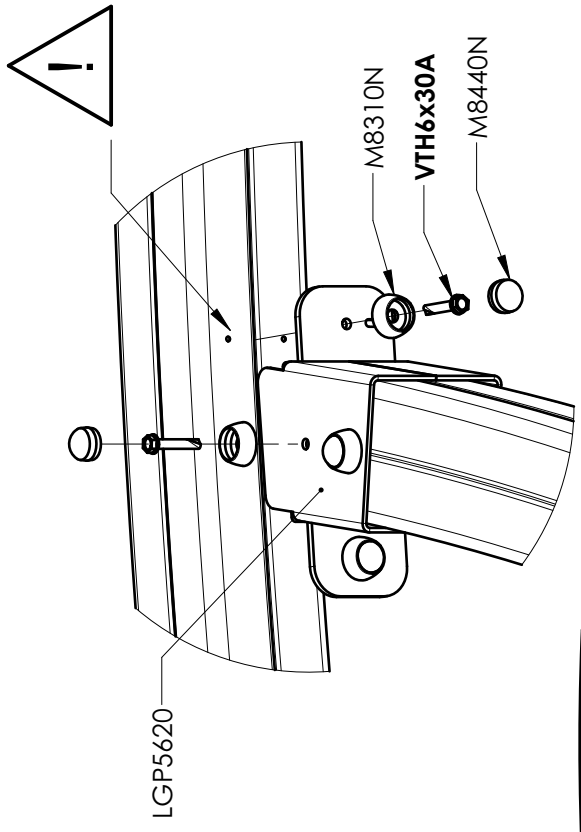
< 1500 Kgs/M³



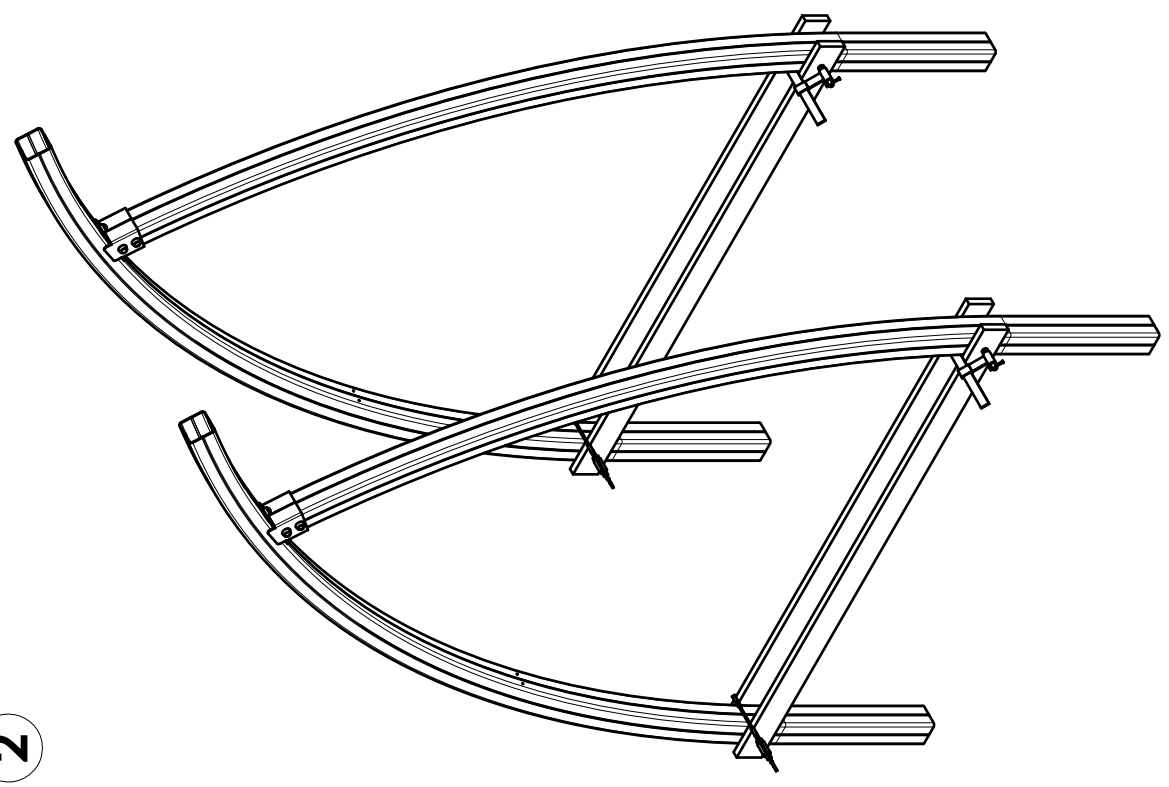
90 Kgs



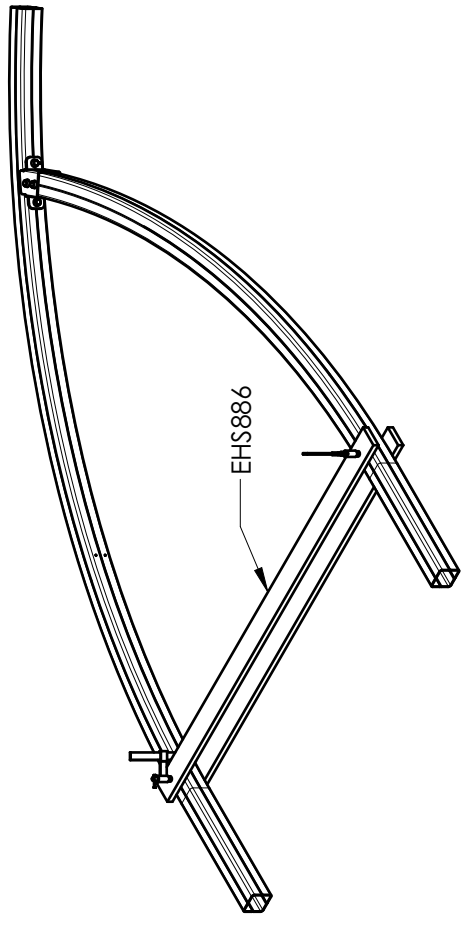
FT5600	2
LGP5602	2
LGP5603VX	2
LGP5610M	2
LGP5620M	2
M4040	8
M5600	1
M8310N	20
M8440N	20
M10310N	14
M10440N	14
M10001N	1
RAAV6	2
VCBHC M10x70I	6
VEFM10	10
VTH6x30A	20
VTH10x100	4



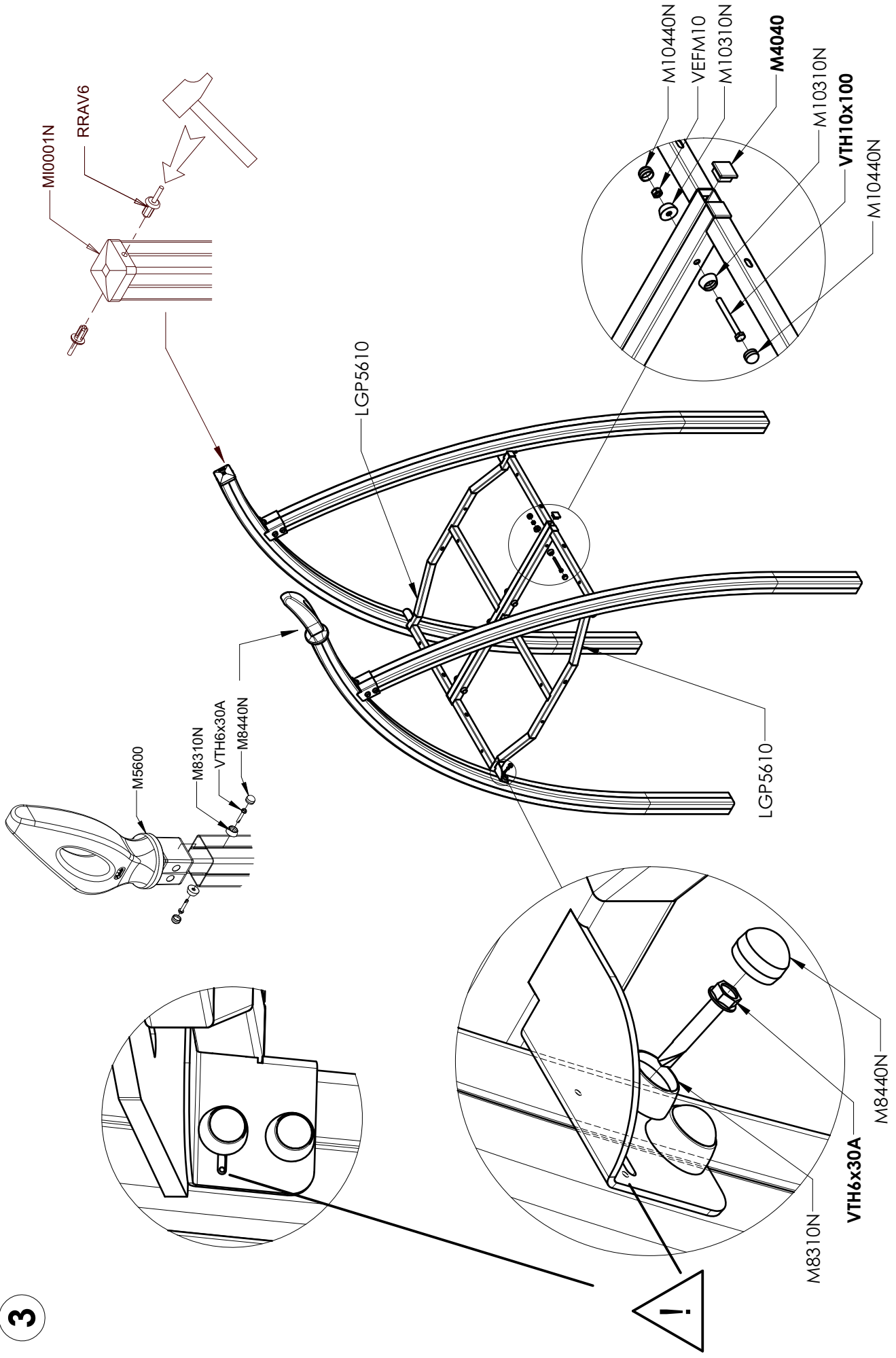
2



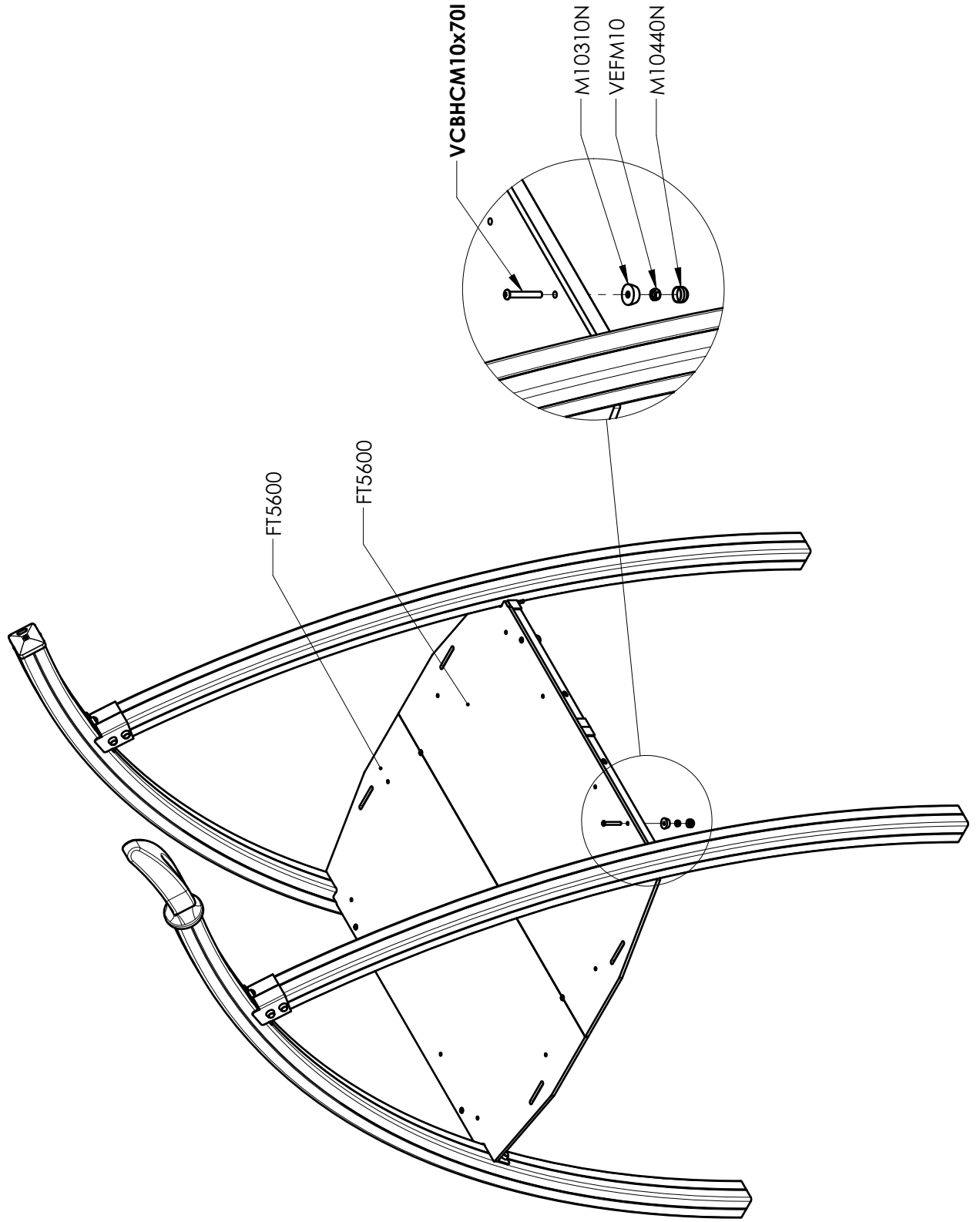
x2



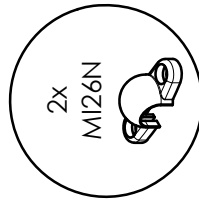
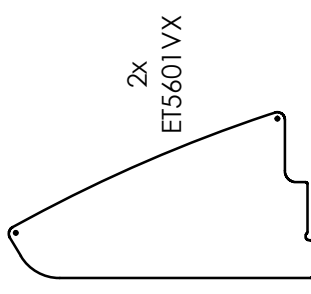
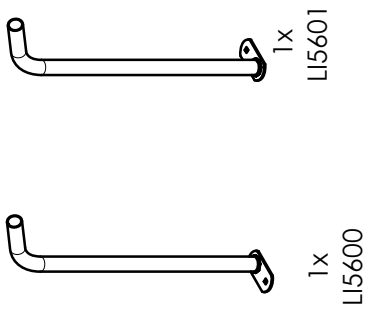
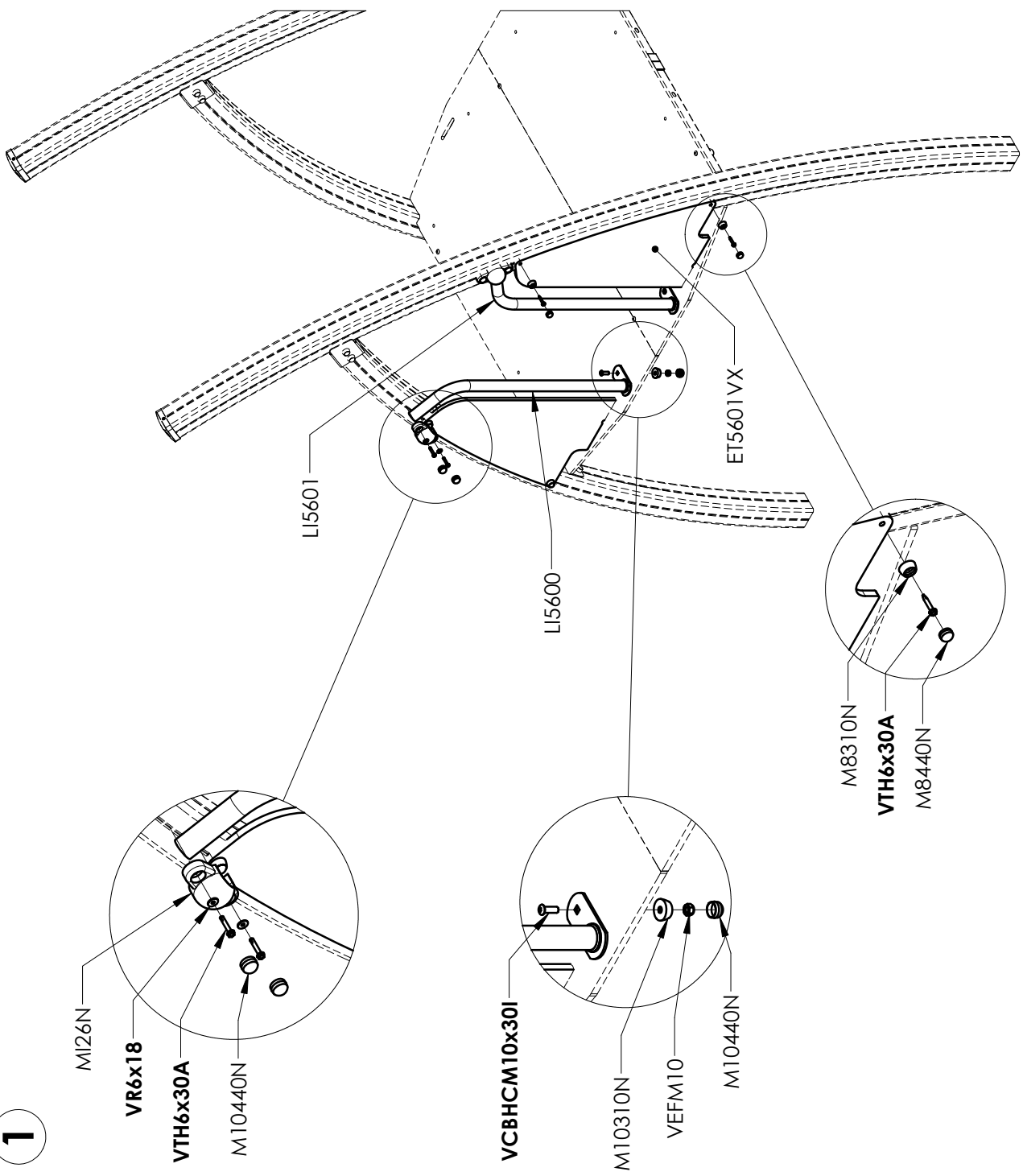
3



4

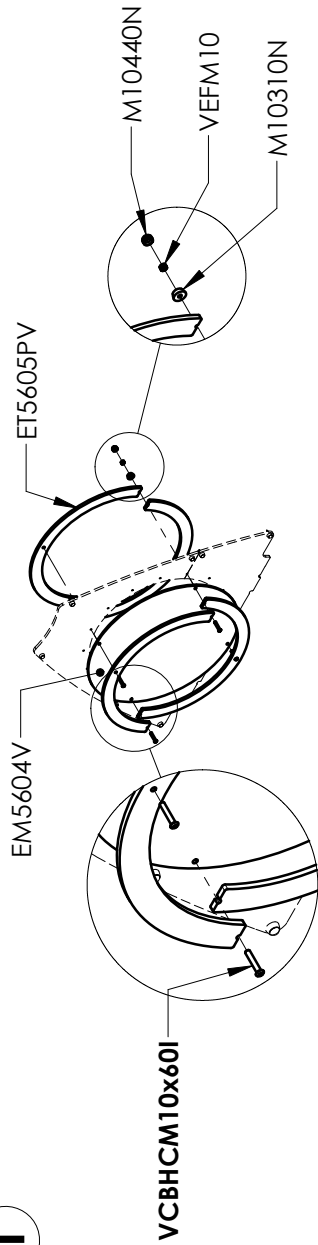


1

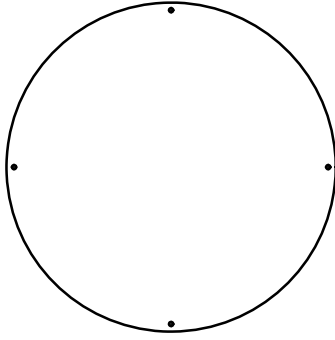


ET5601VX	2
LI5600	1
LI5601	1
M8310N	4
M8440N	4
M10310N	2
M10440N	6
MI26N	2
VCBHCM10x30I	2
VEFM10	2
VR6x18	4
VTH6x30A	8

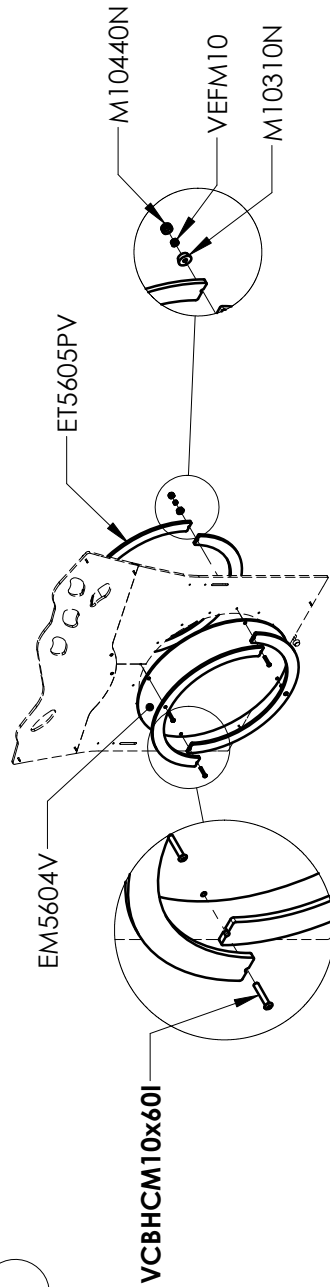
1



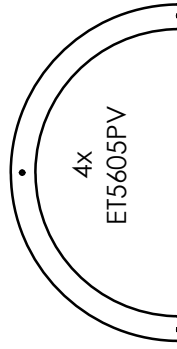
1x
EM5604V



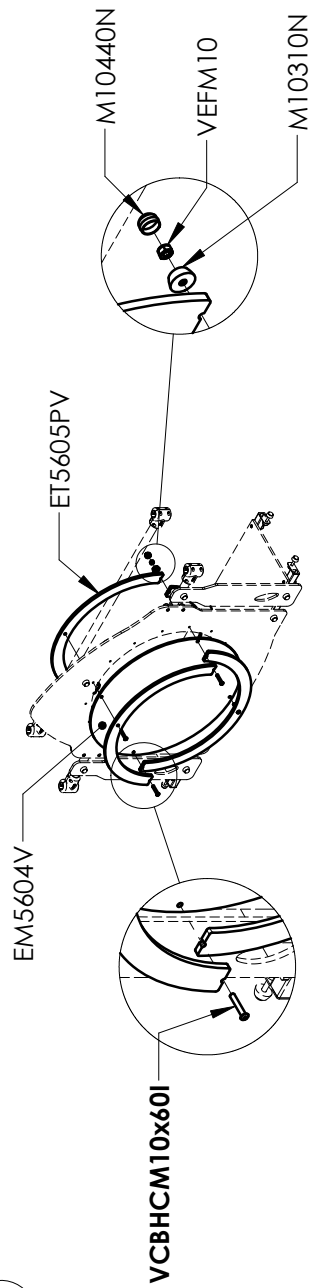
1



4x
ET5605PV

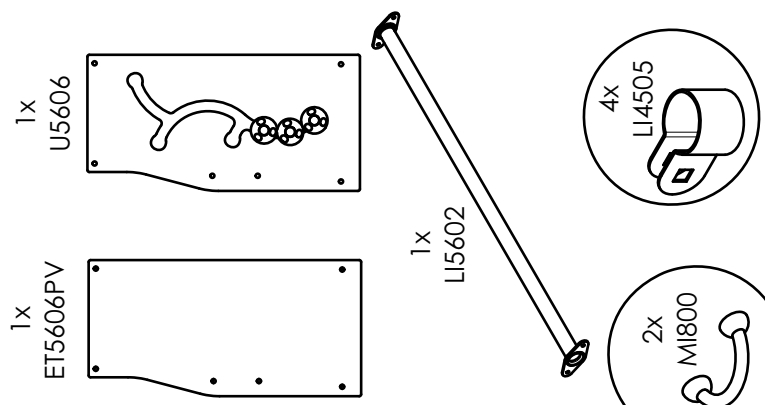
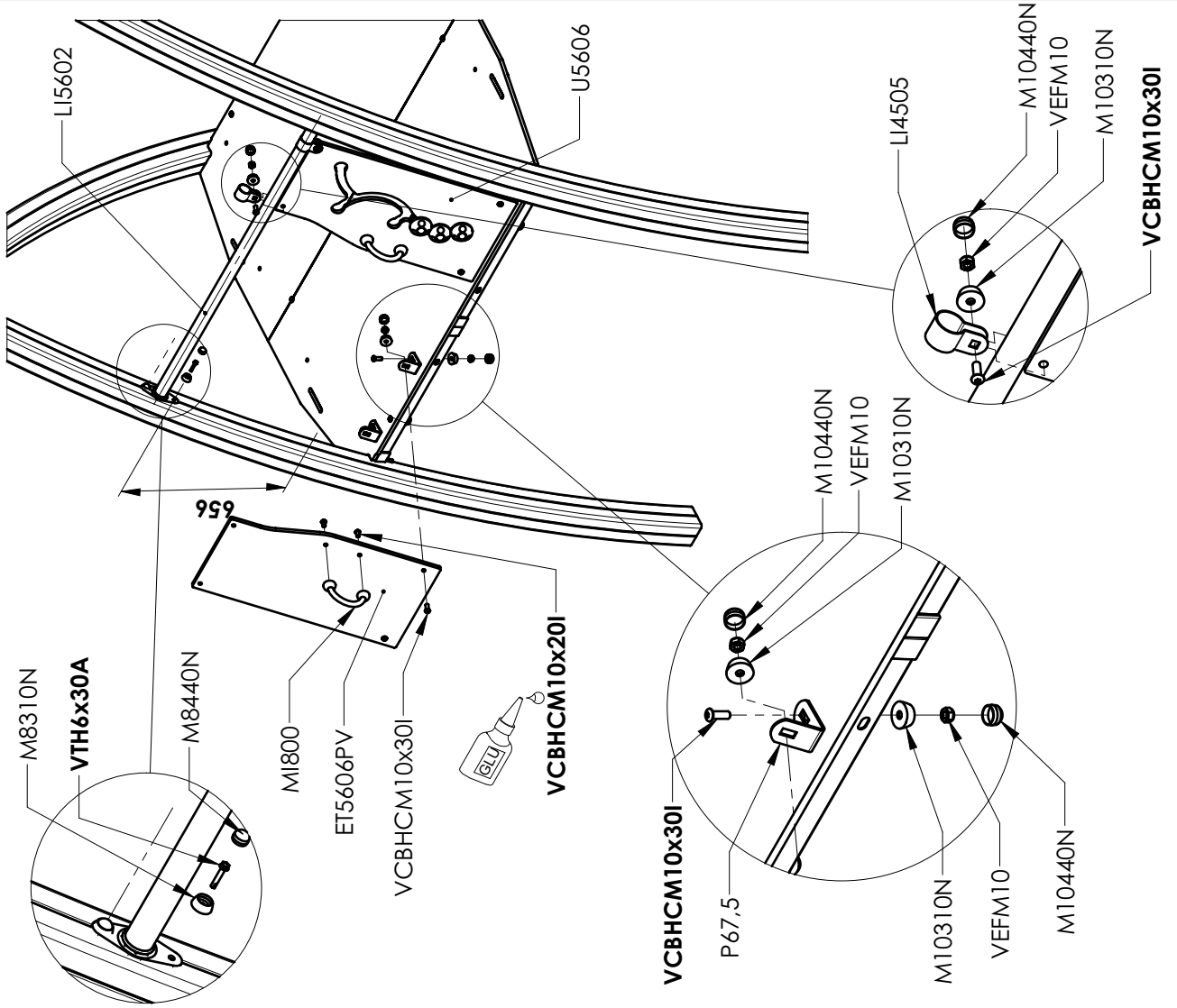
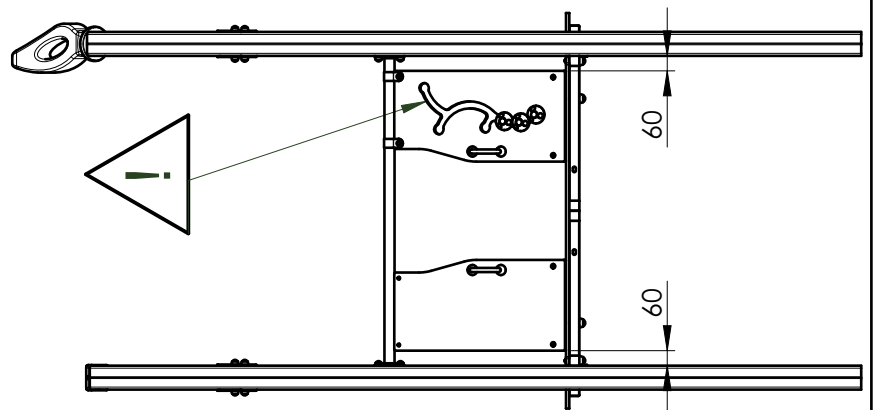


1

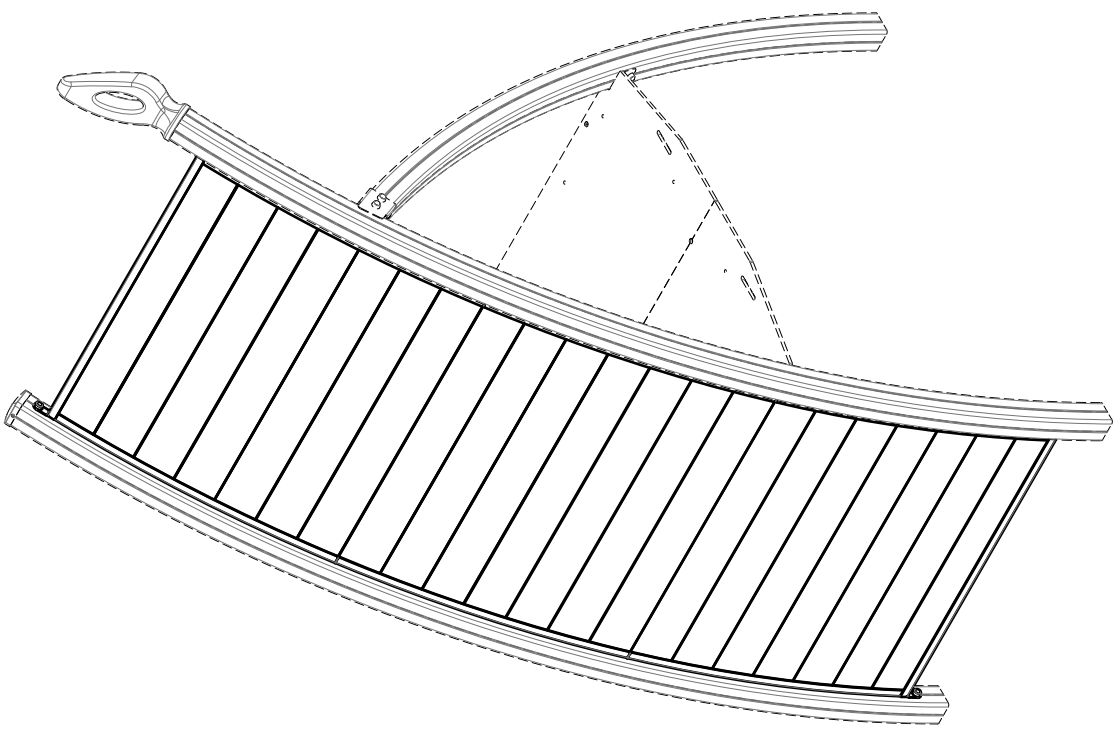


EM5604V	1
ET5605PV	4
M10310N	4
M10440N	4
VCBHCM10x60I	4
VEFM10	4

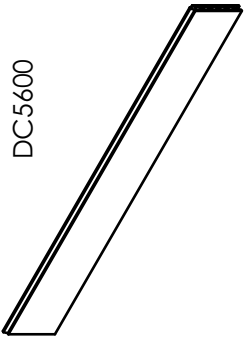
1



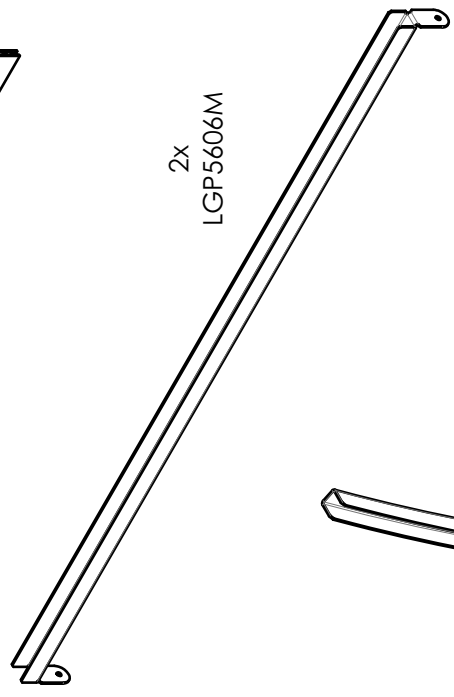
ET5606PV	1
LI4505	4
LI5602	1
M8310N	4
M8440N	4
M10310N	12
M10440N	12
M1800	2
P67,5	4
U5606	1
VCBHCM10x20I	4
VCBHCM10x30I	12
VEFM10	12
VTH6x30A	4



21x
DC5600



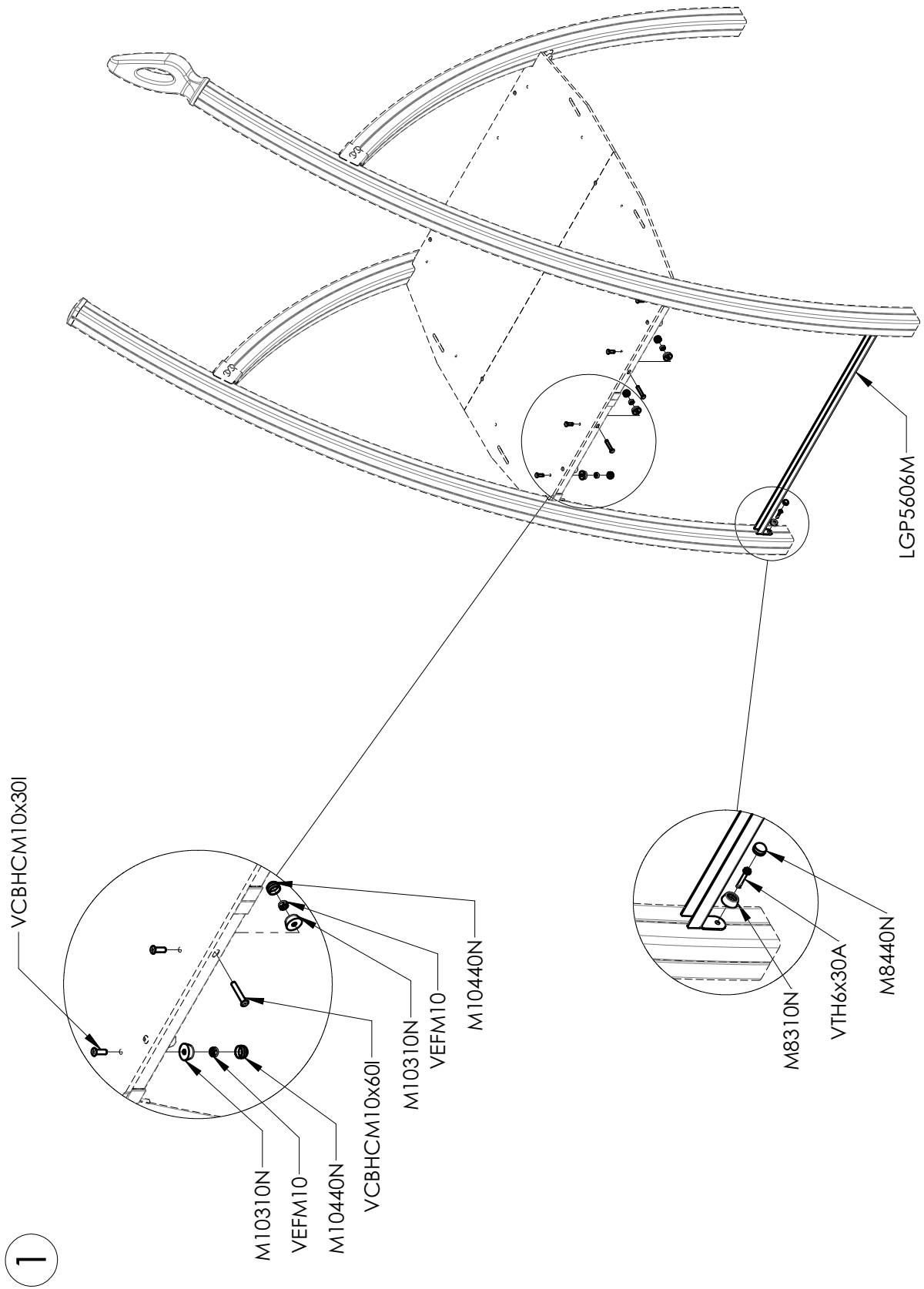
2x
LGP5606M



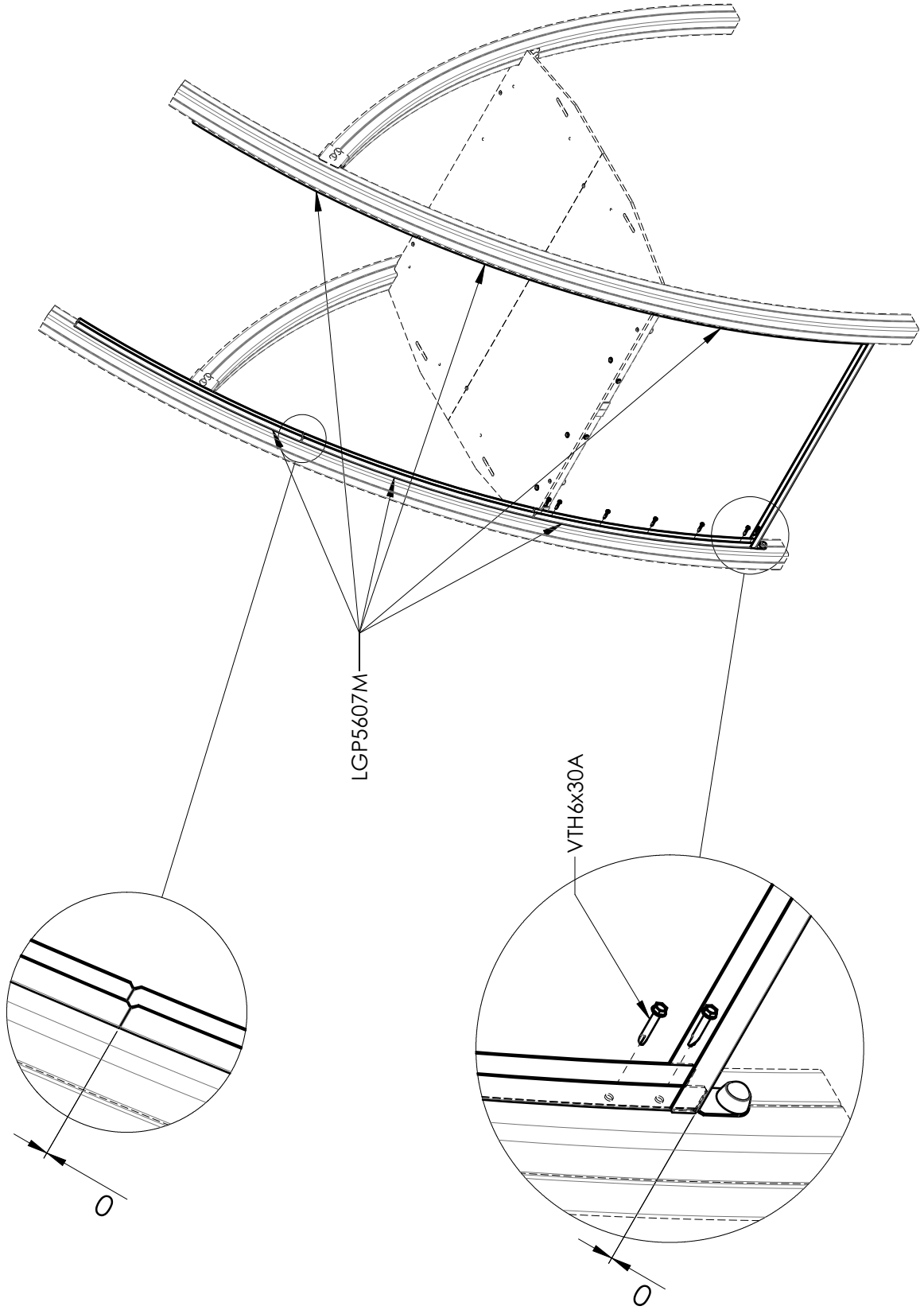
6x
LGP5607M



DC5600	21
LGP5606M	2
LGP5607M	6
M8310N	4
M8440N	4
M10310N	6
M10440N	6
VCBHC M10x30I	4
VCBHC M10x60I	2
VEFM10	6
VTH6x30A	46

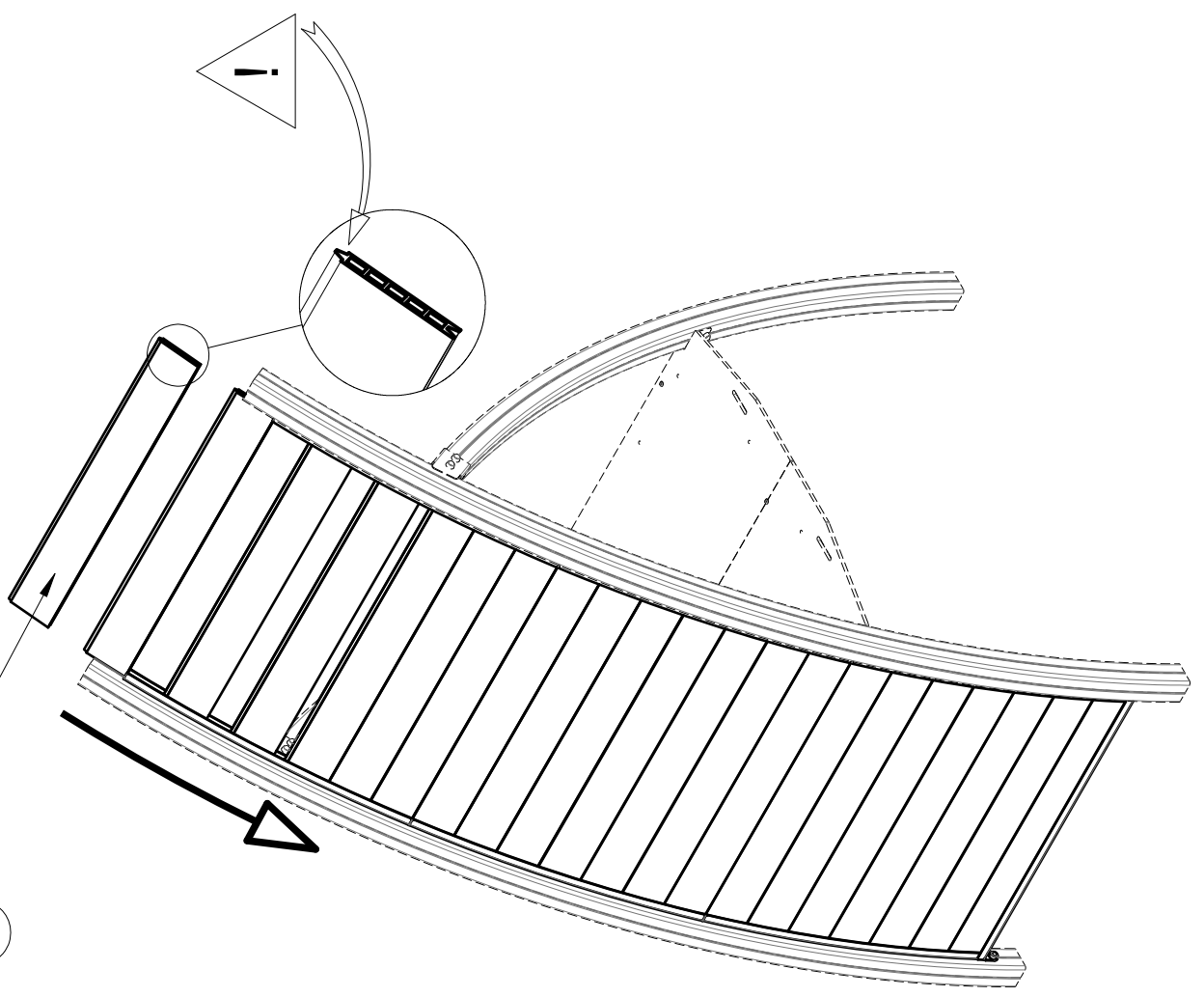


2

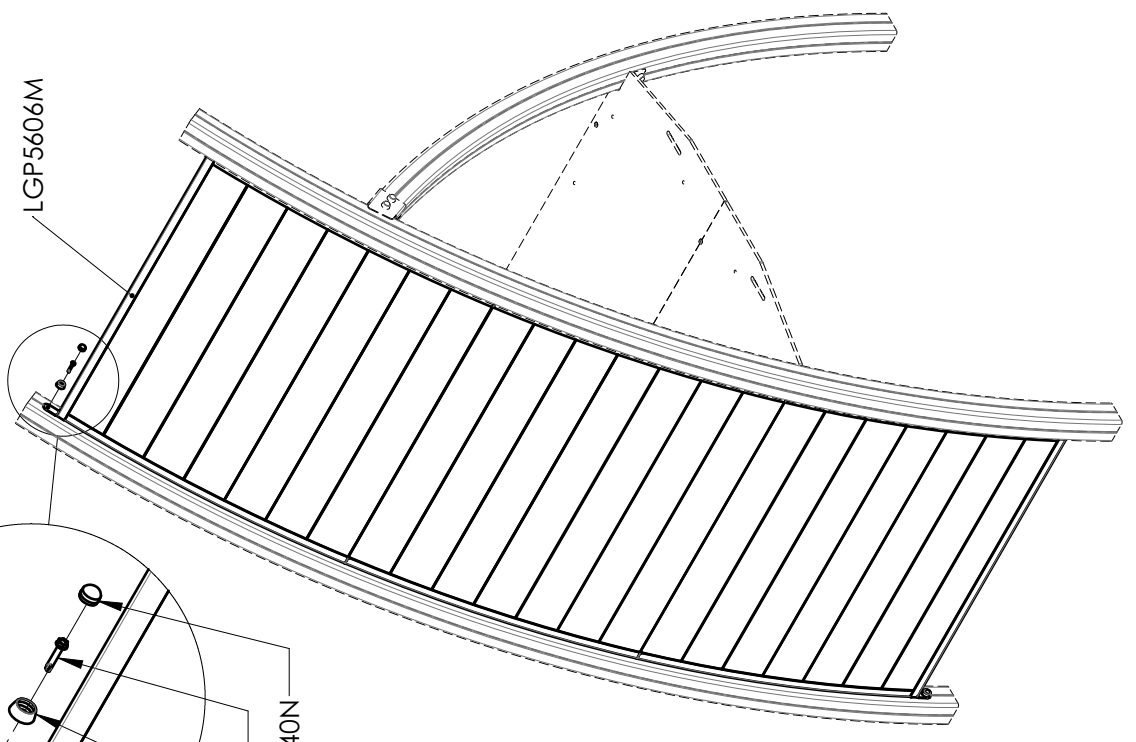
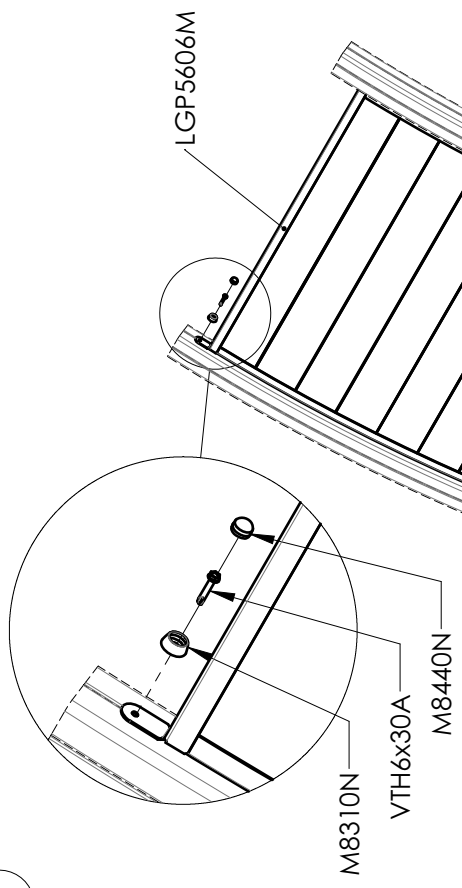


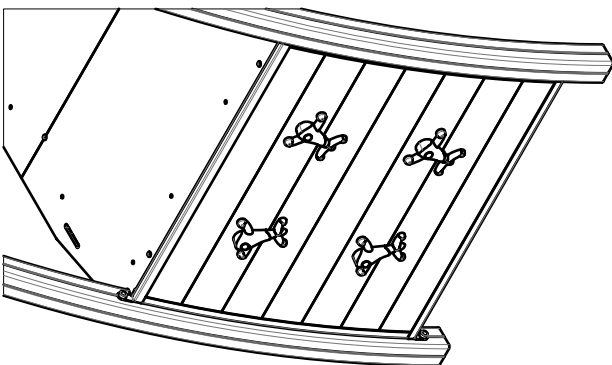
3

DC5600

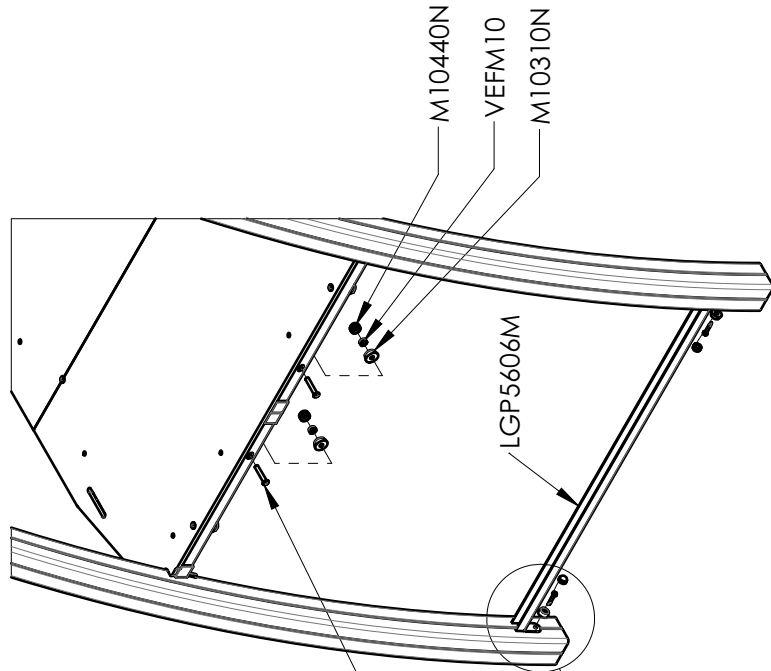


4





1



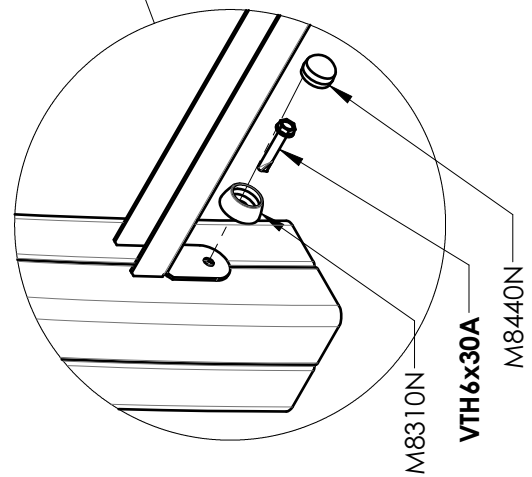
VCBHCM10x60I

M10440N

VEFM10

M10310N

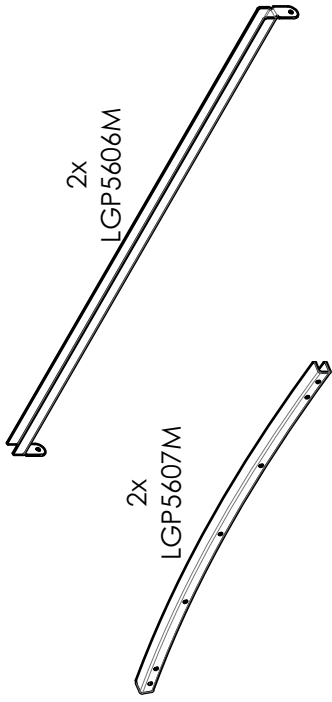
LGP5606M



M8310N

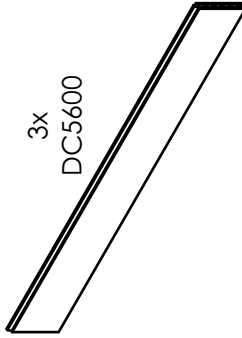
VTH6x30A

M8440N

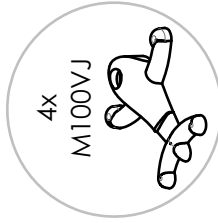


2x
LGP5607M

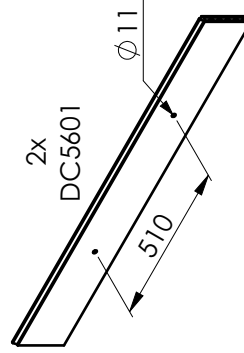
2x
LGP5606M



3x
DC5600



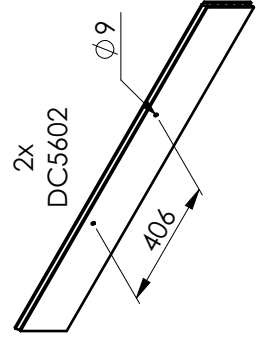
4x
M1000VJ



2x
DC5601

Ø11

510



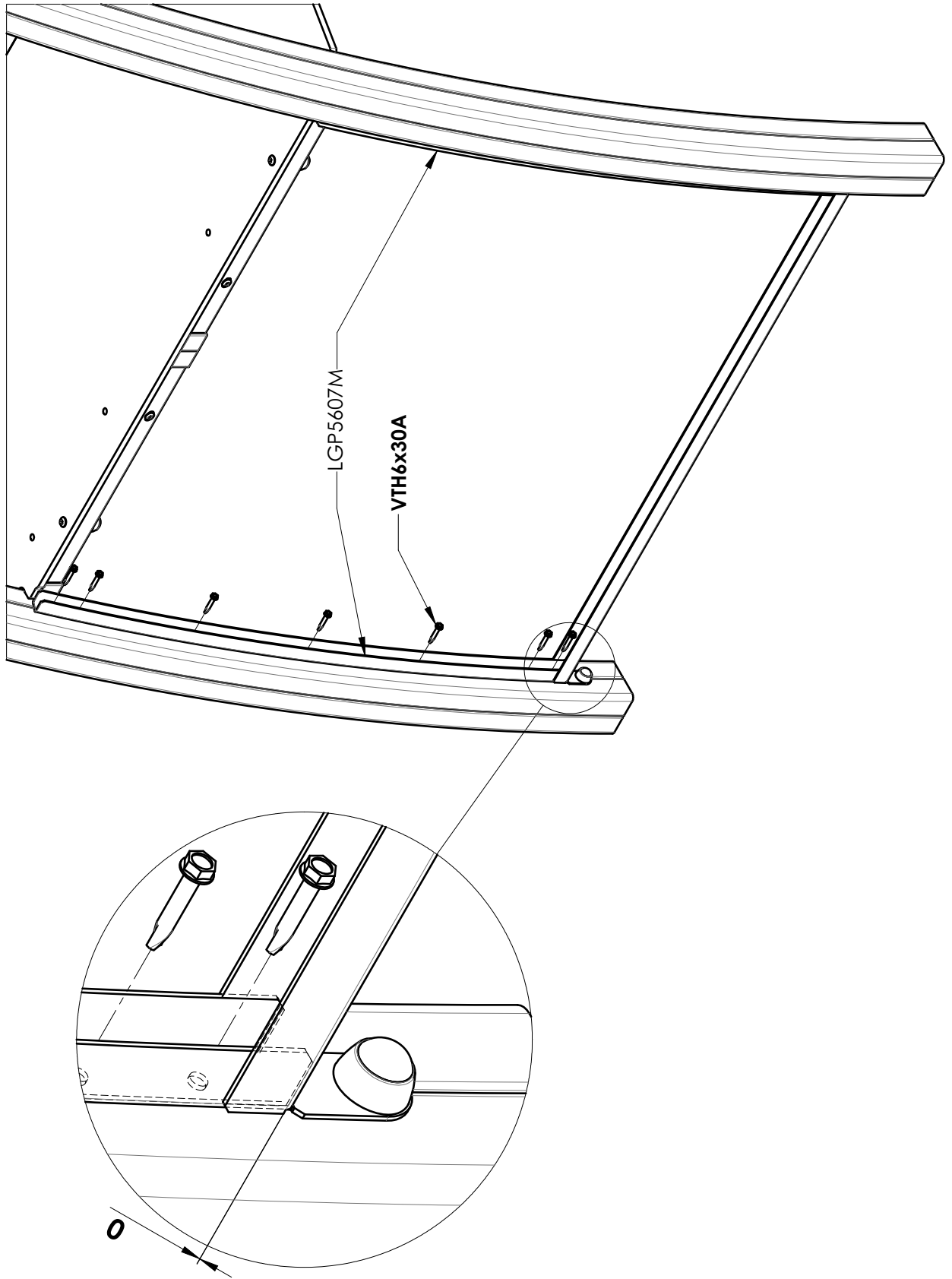
2x
DC5602

Ø9

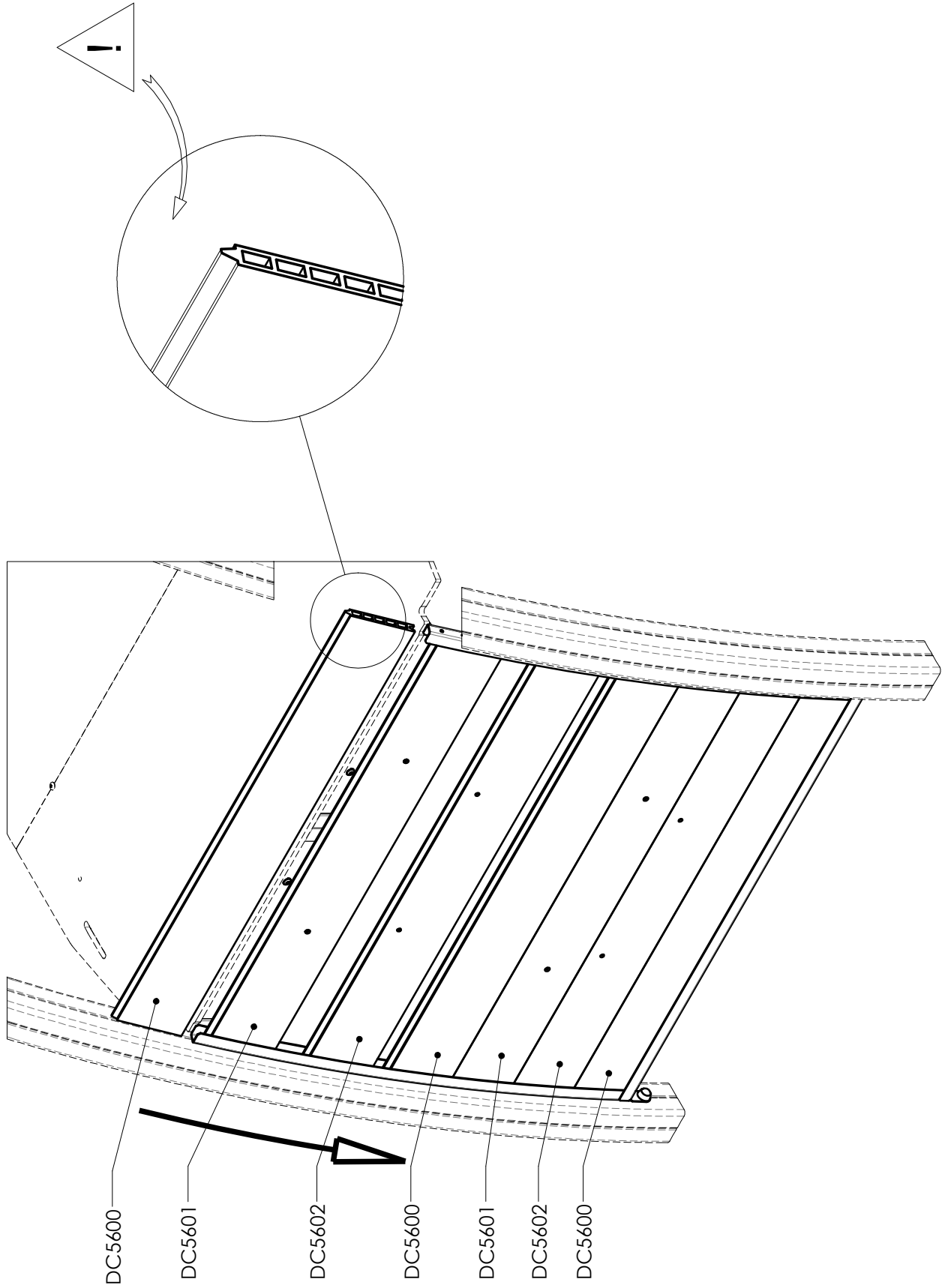
406

DC5600	3
DC5601	2
DC5602	2
LGP5606M	2
LGP5607M	2
M1000VJ	4
M8310N	8
M8440N	8
M10310N	6
M10440N	10
VBT6x30	4
VCBHCM10x60I	2
VEFM10	6
VTH6x30A	18
VTRCC10x70	4

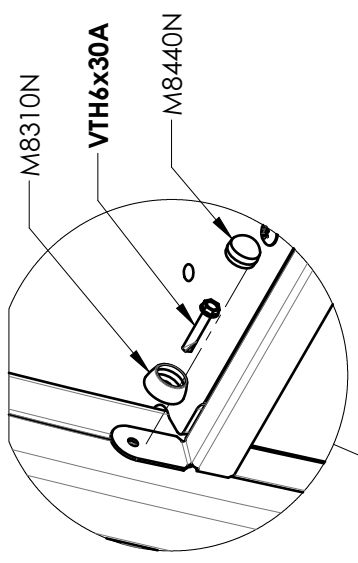
2



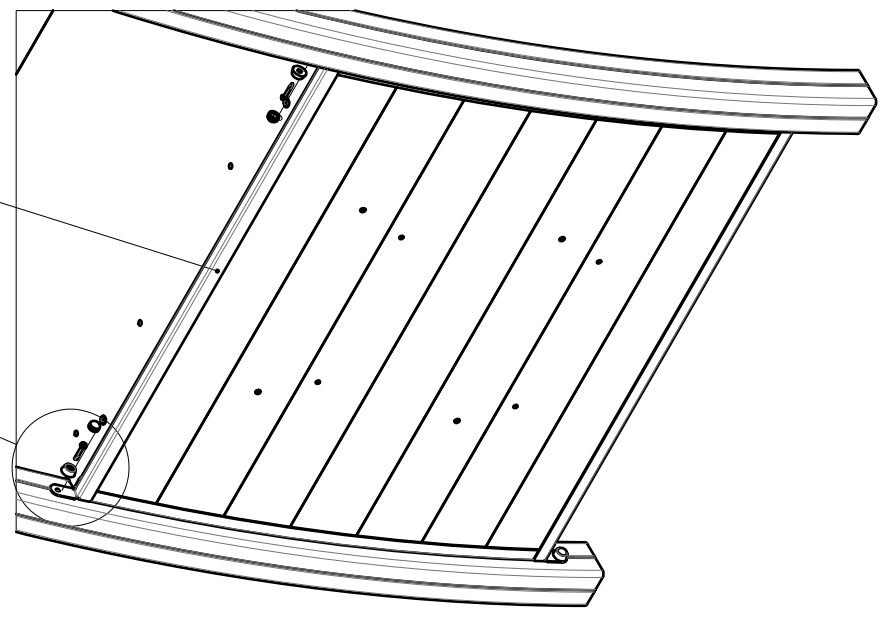
3



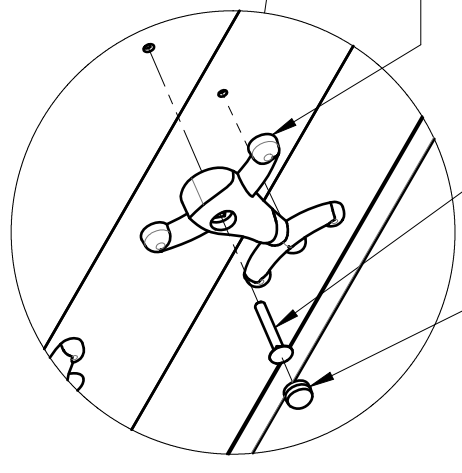
4



LGP5606M



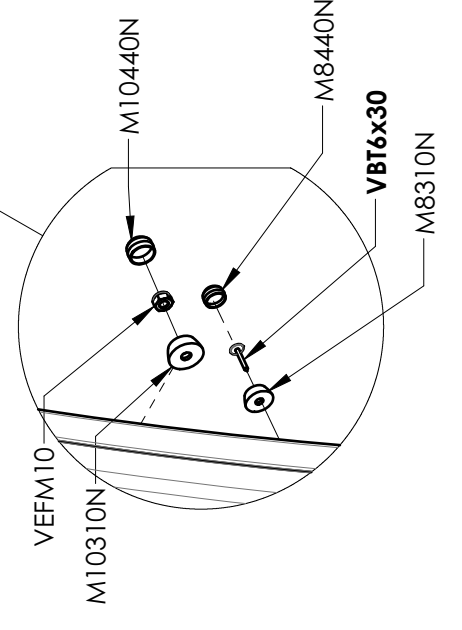
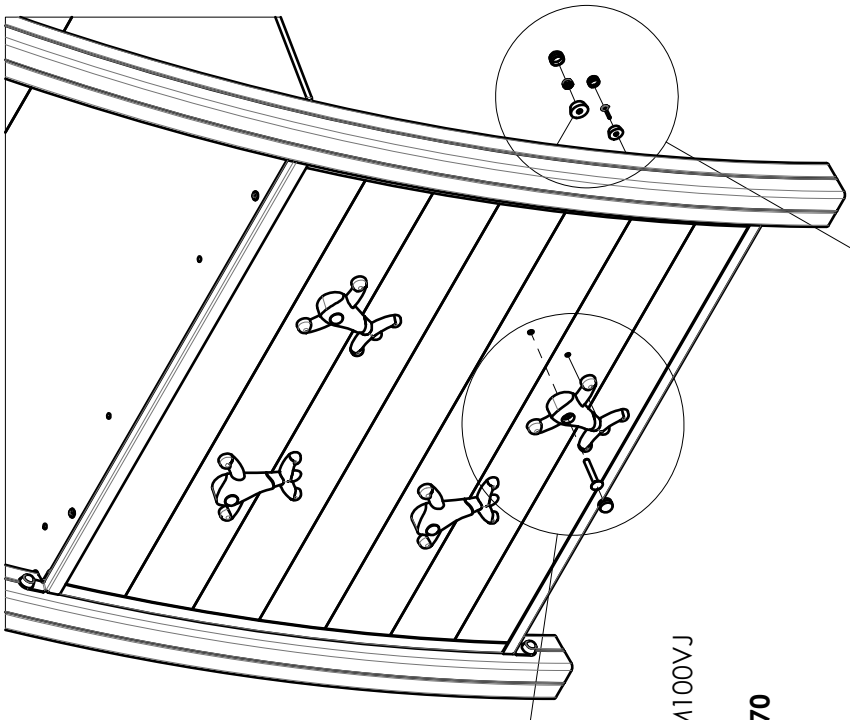
5



VTRCC10x70

M100VJ

M10440N



VEFM10

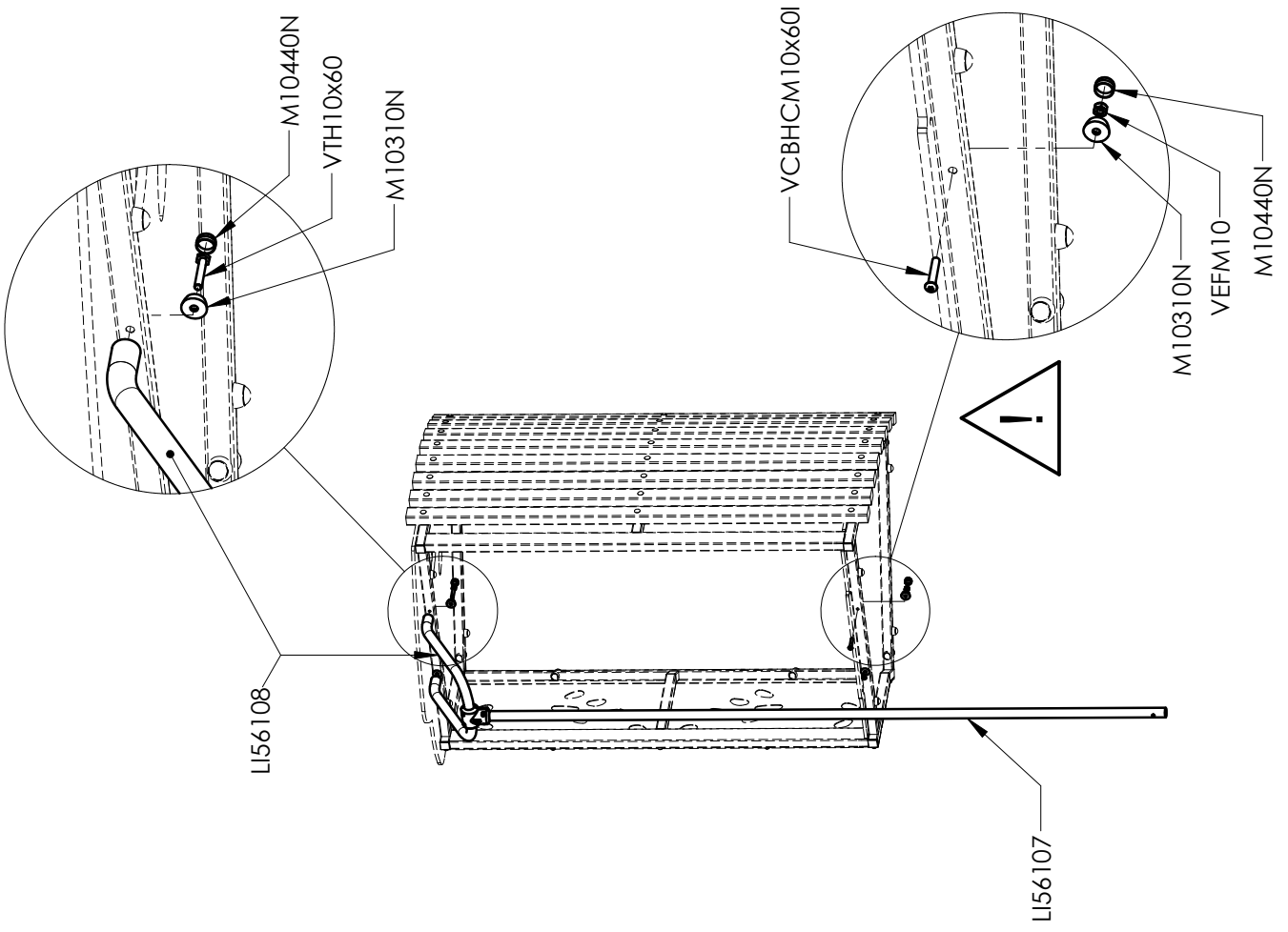
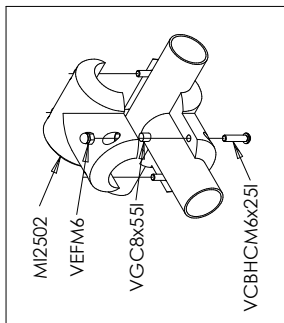
M10310N

M10440N

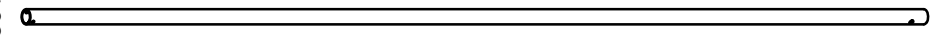
M8440N

VBT6x30

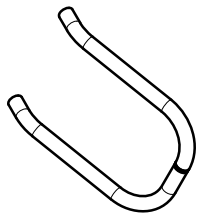
M8310N



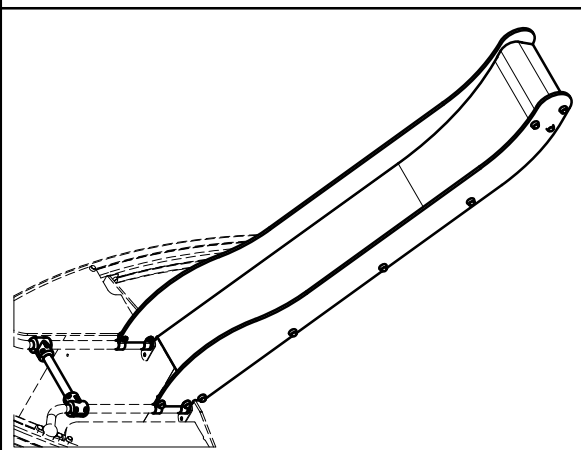
1x
LI56107



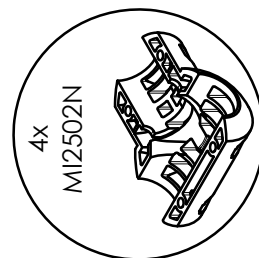
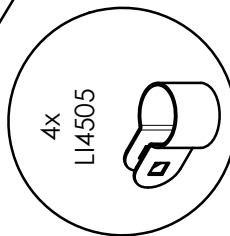
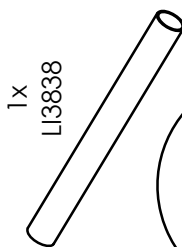
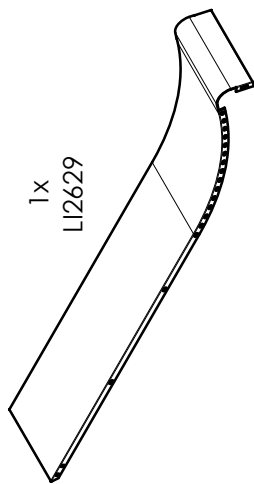
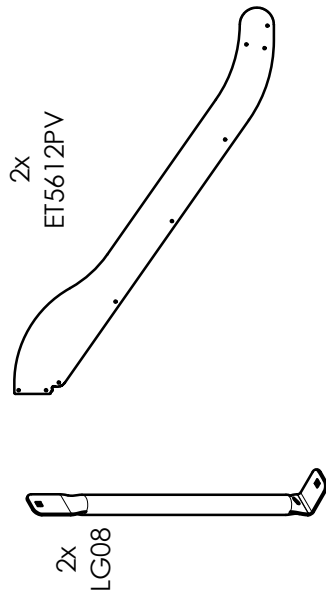
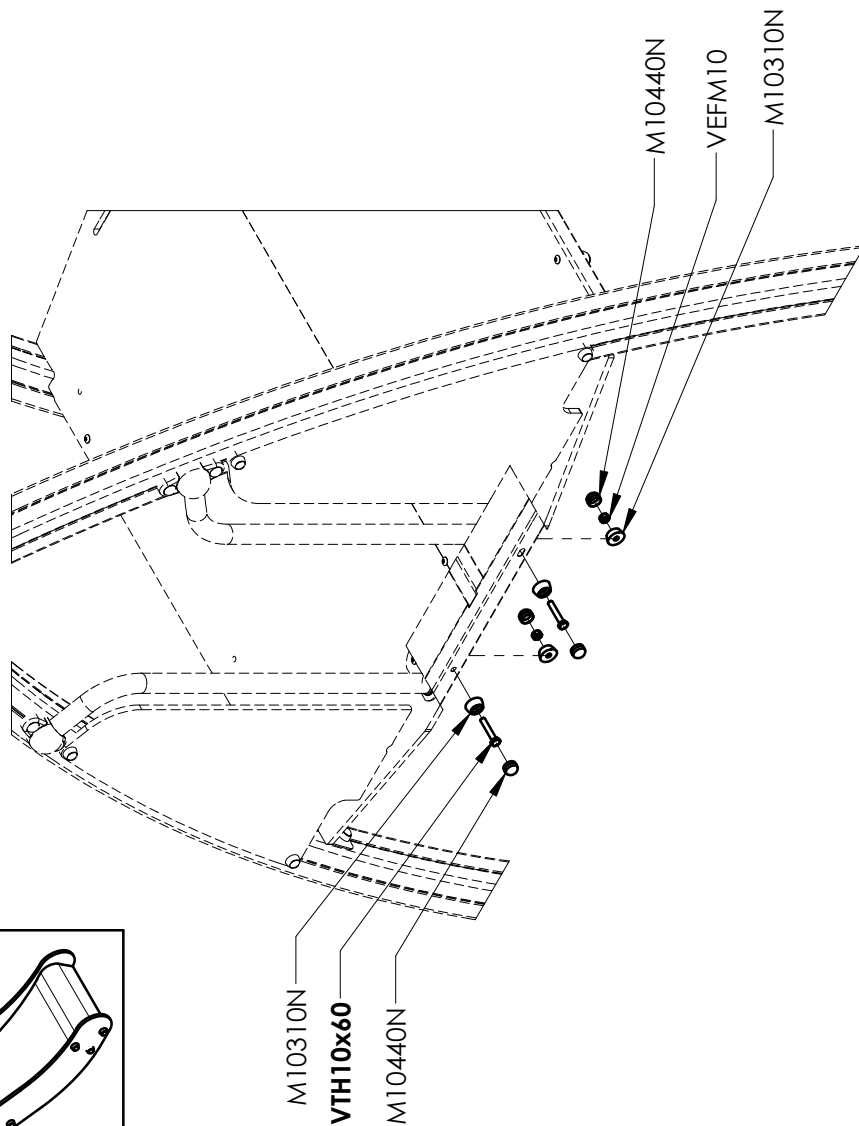
1x
LI56106



LI56106	1
LI56107	1
M10310N	4
M10440N	4
M12502N	2
VCBHCM6x25I	4
VCBHCM10x60I	2
VEBM6	4
VEFM10	2
VGC8x55I	1
VTH10x60	2

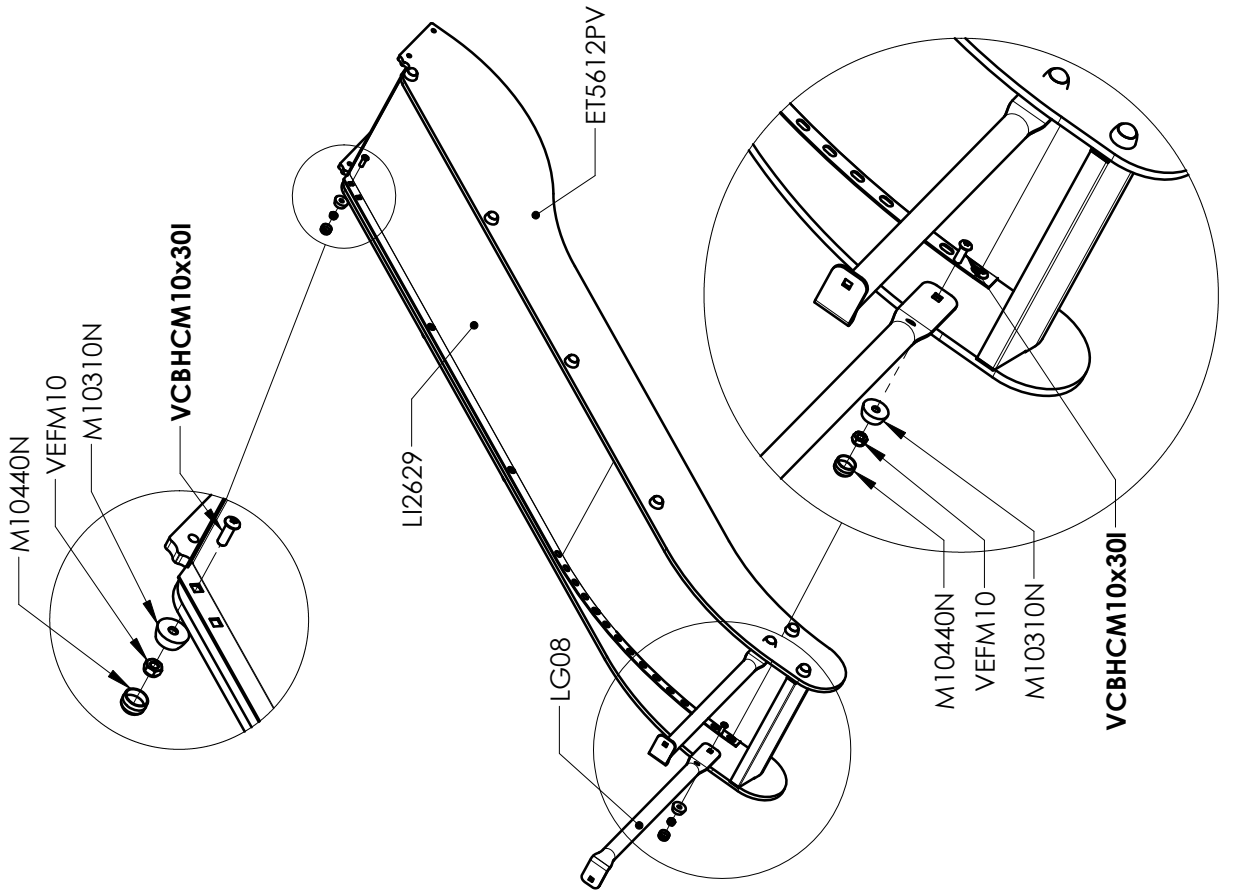


1

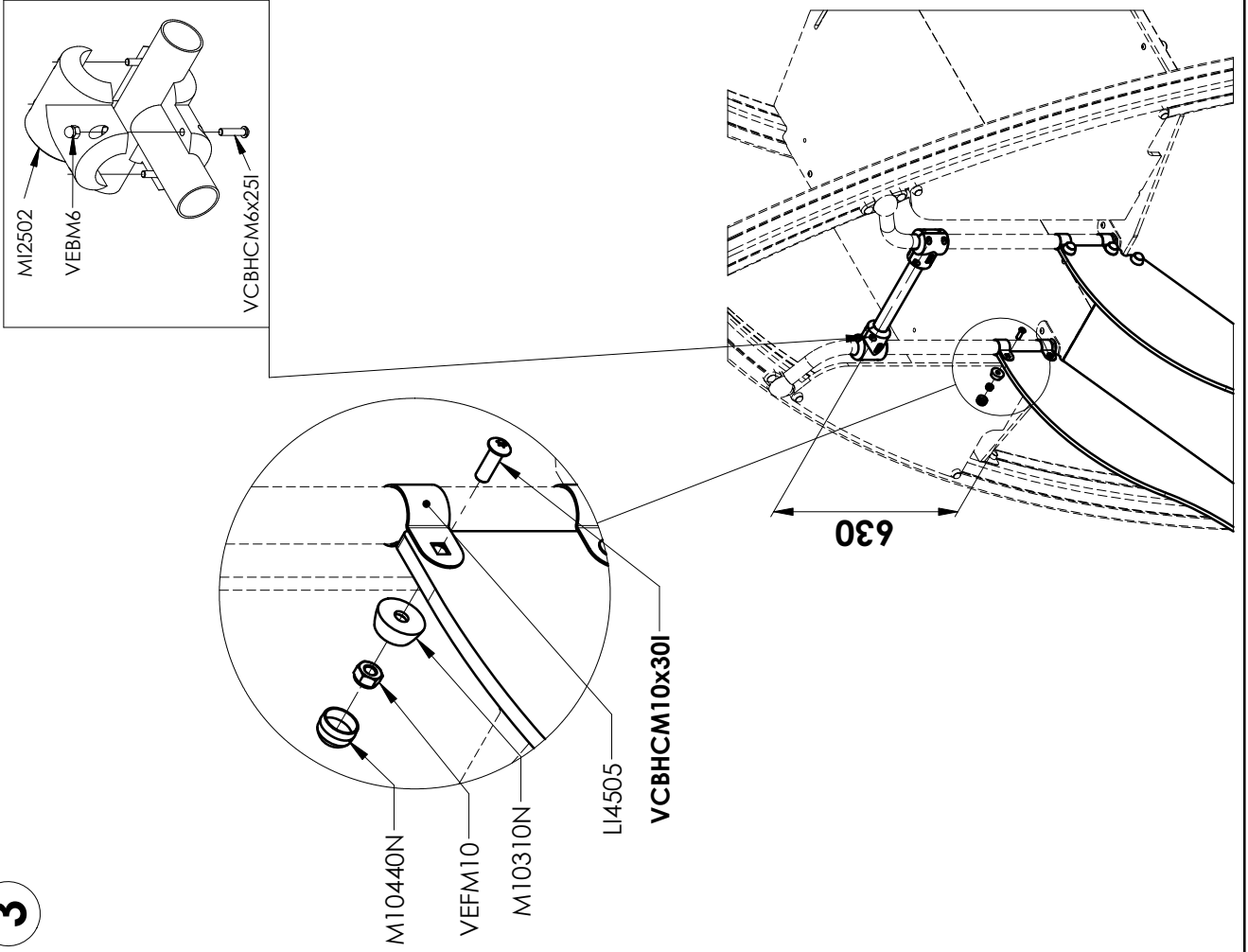


ET5612PV	2
LG08	2
LI2629	1
LI3838	1
LI4505	4
M10310N	22
M10440N	22
MI2502N	4
VCBHC6x25I	8
VCBHC6M10x30I	18
VEFM6	8
VEFM10	20
VTH10x60	2

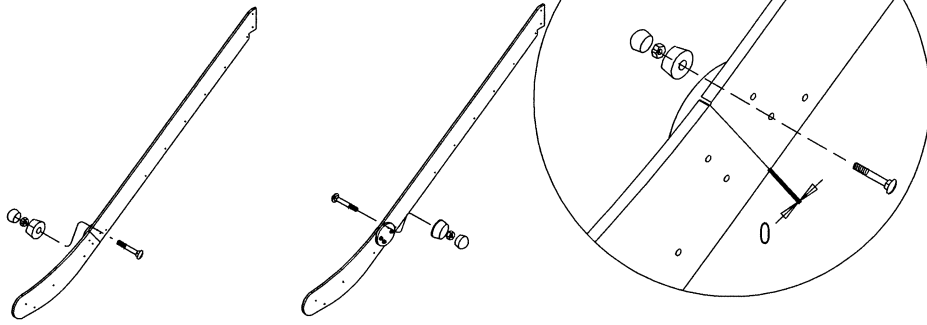
2



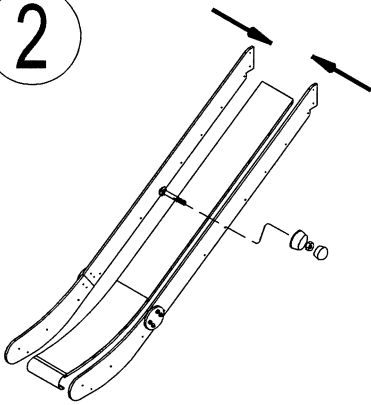
3



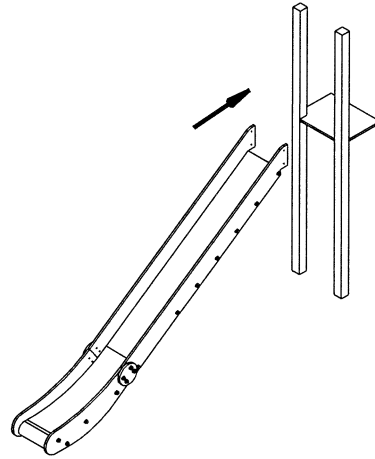
1



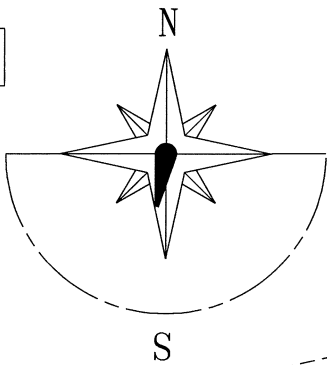
2



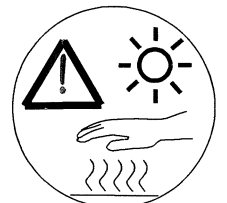
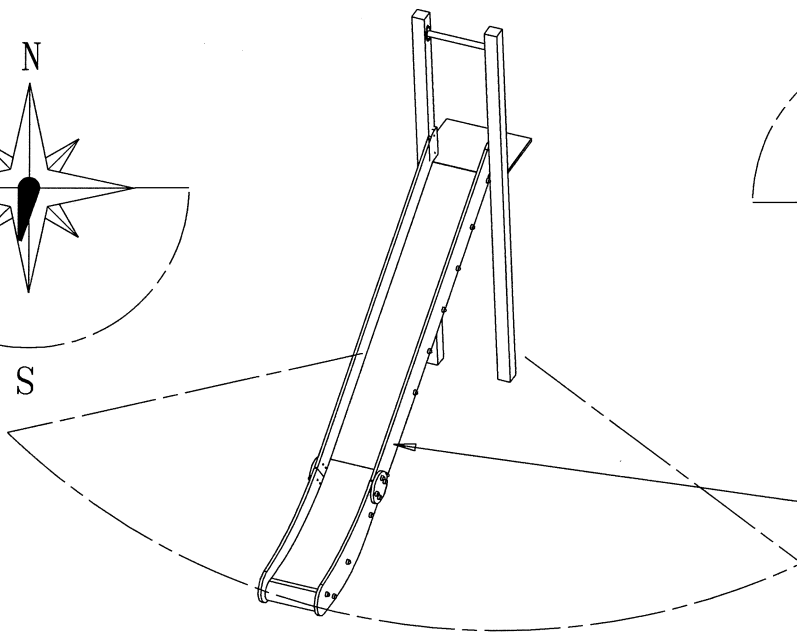
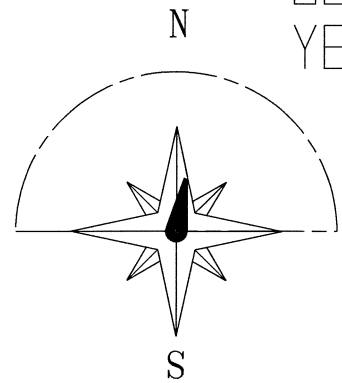
3



NON
NO



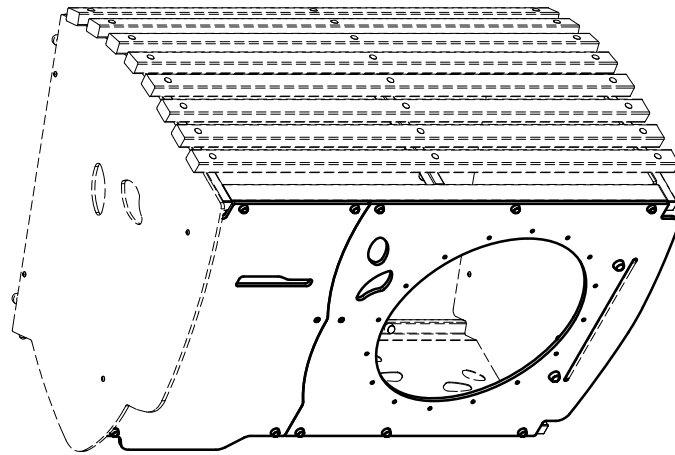
OUI
YES



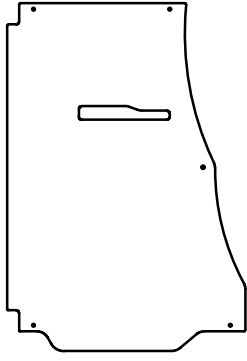
STOBG

FR

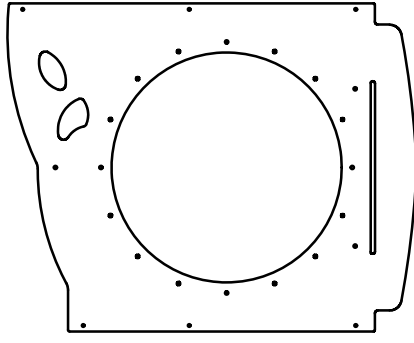
Il est recommandé de ne pas orienter la glissière Sud / Sud Ouest



1x
ET56119CH



1x
ET56114PV

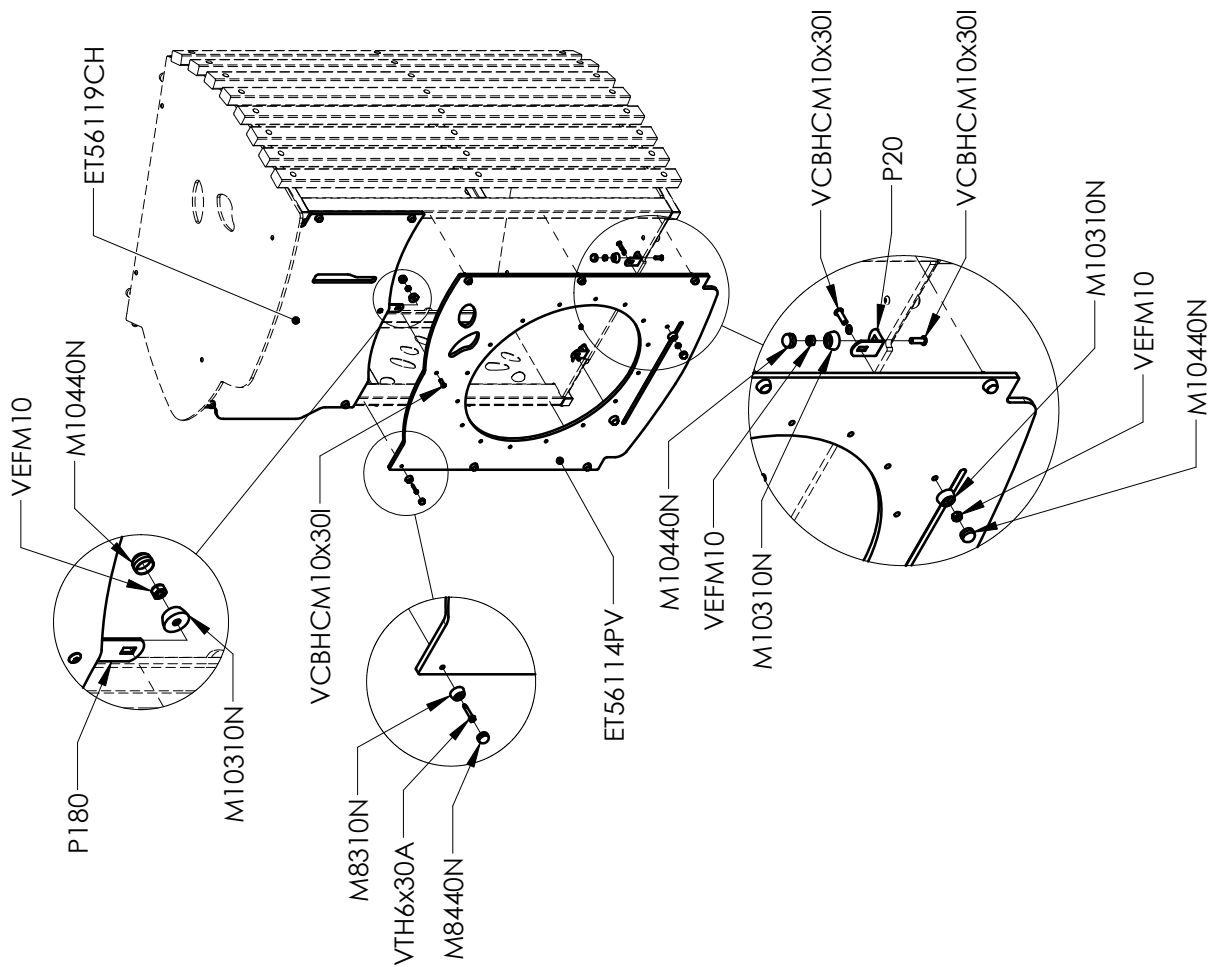
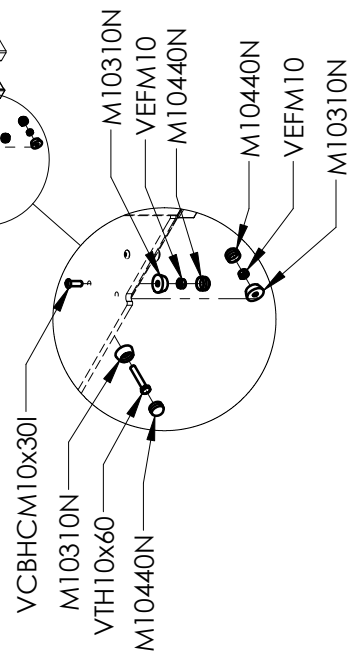
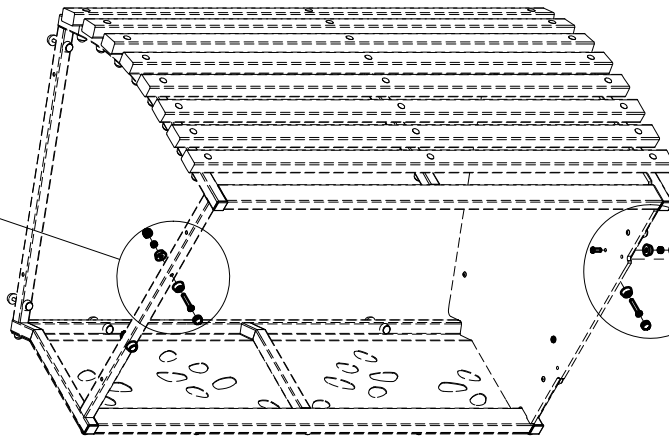
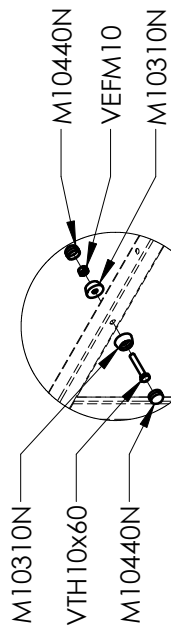


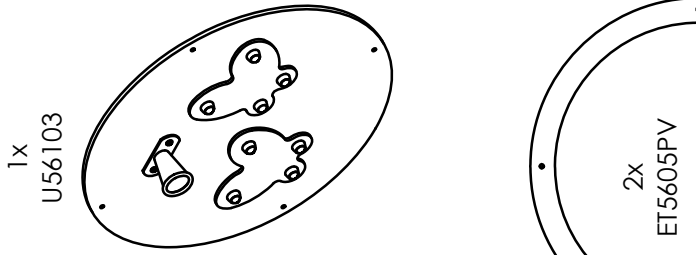
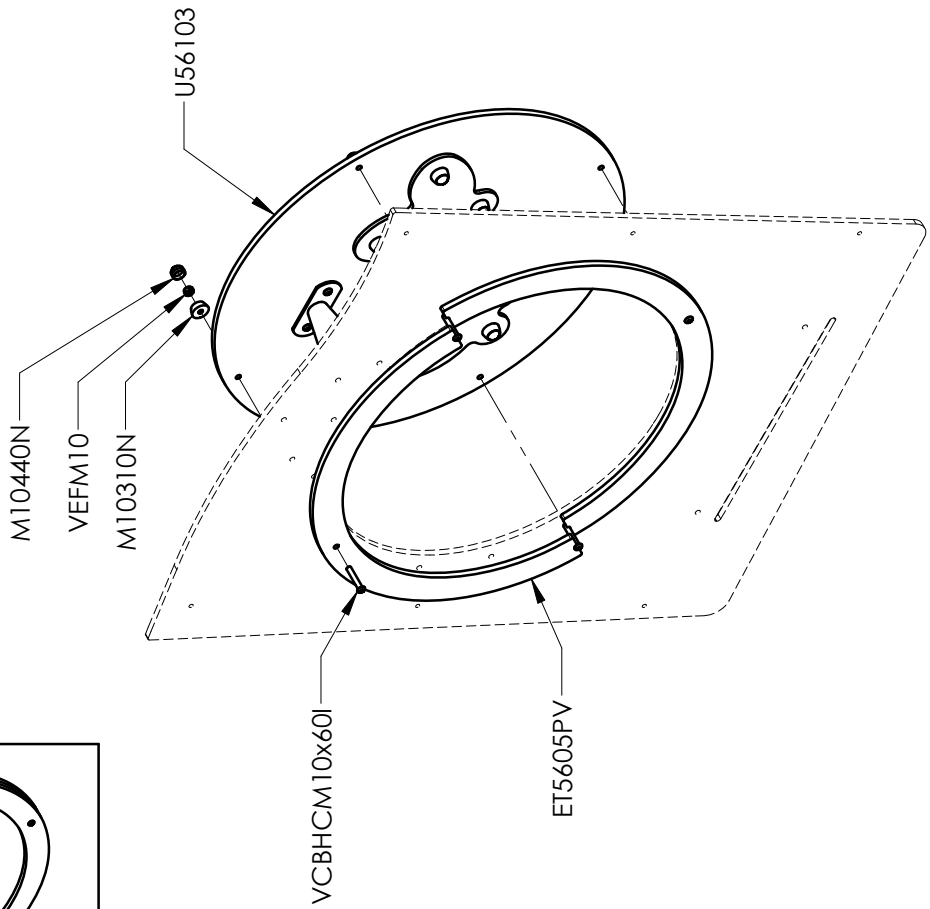
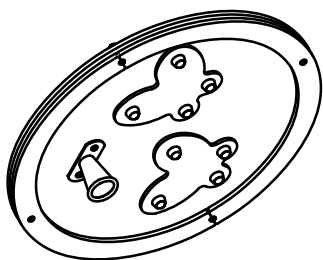
1x
P180



2x
P20

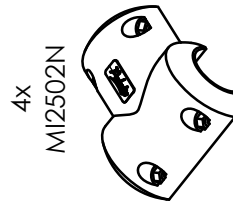
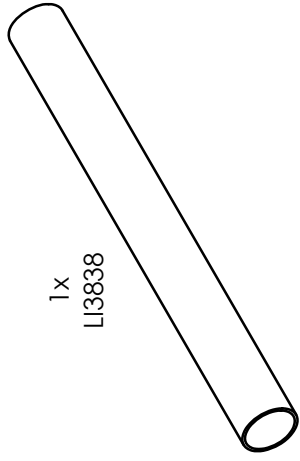
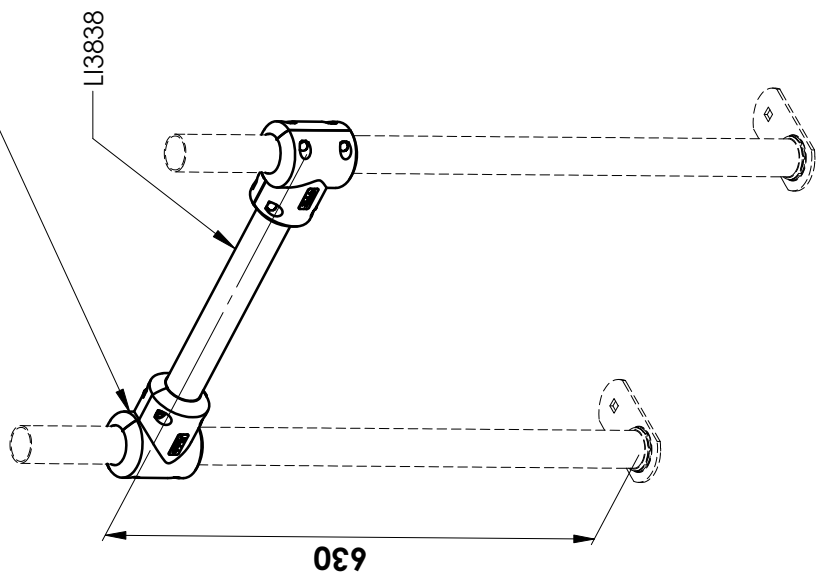
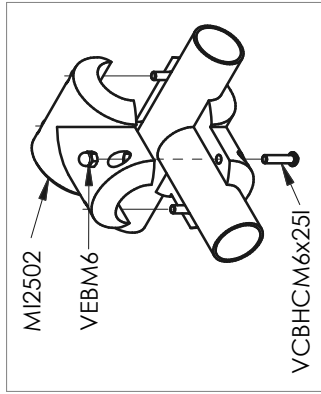
ET56114PV	1
ET56119CH	1
M8310N	10
M8440N	10
M10310N	16
M10440N	16
P20	2
P180	1
VCBHCM10x30I	8
VEFM10	12
VTH6x30A	10
VTH10x60	4





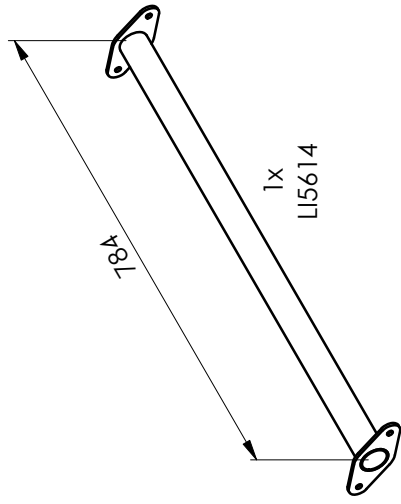
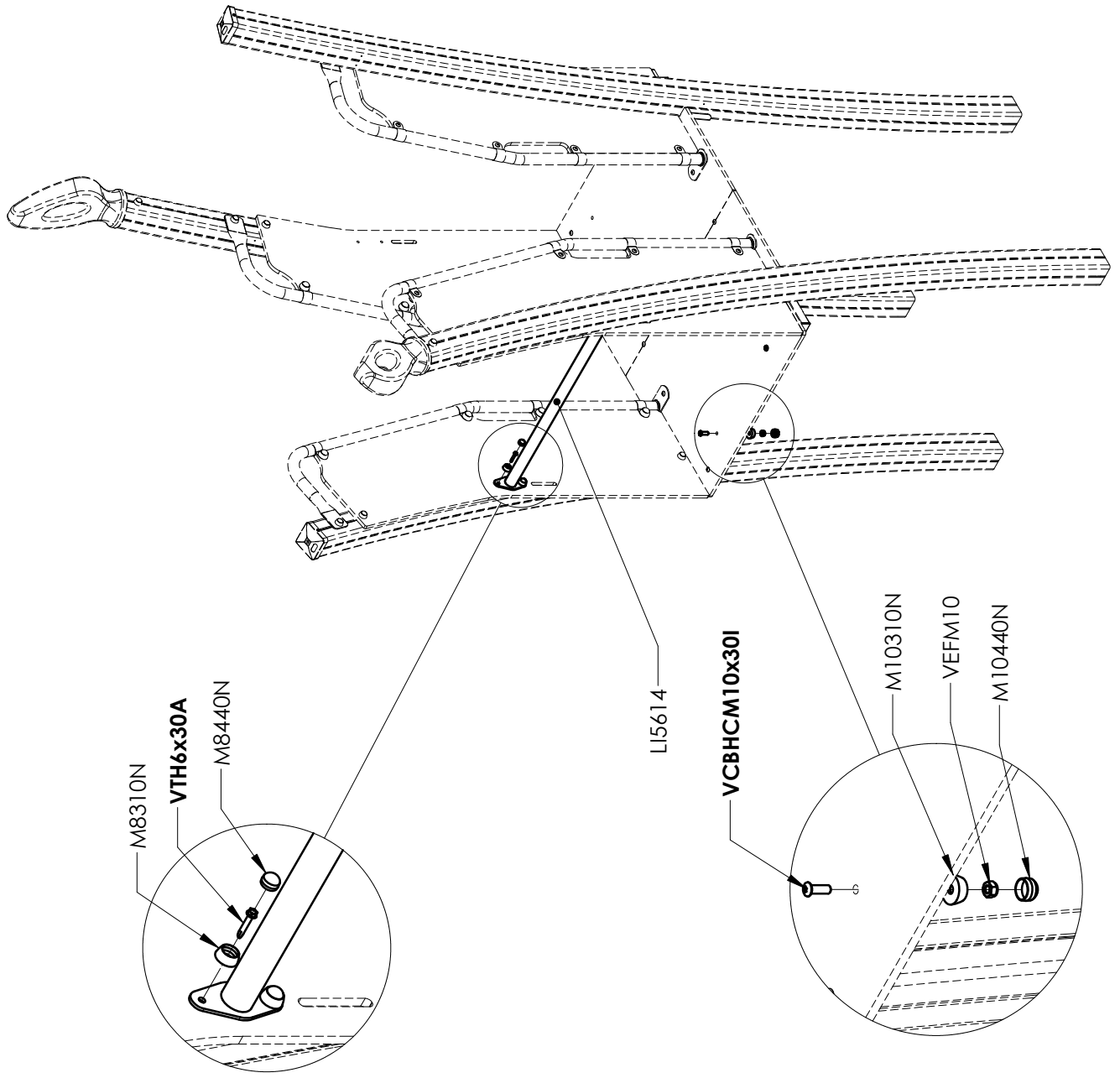
ET5605PV	2
M10310N	4
M10440N	4
U56103	1
VCBHC M10x60I	4
VEFM10	4

1

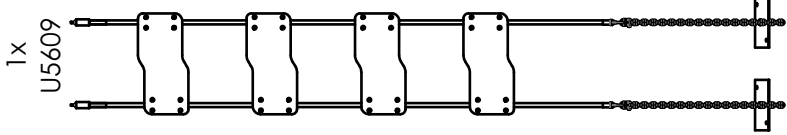
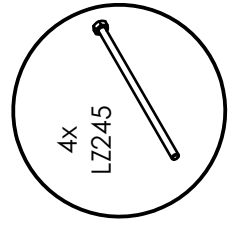
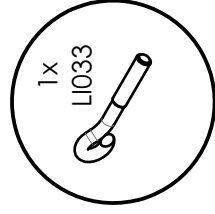
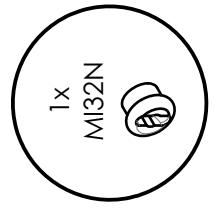
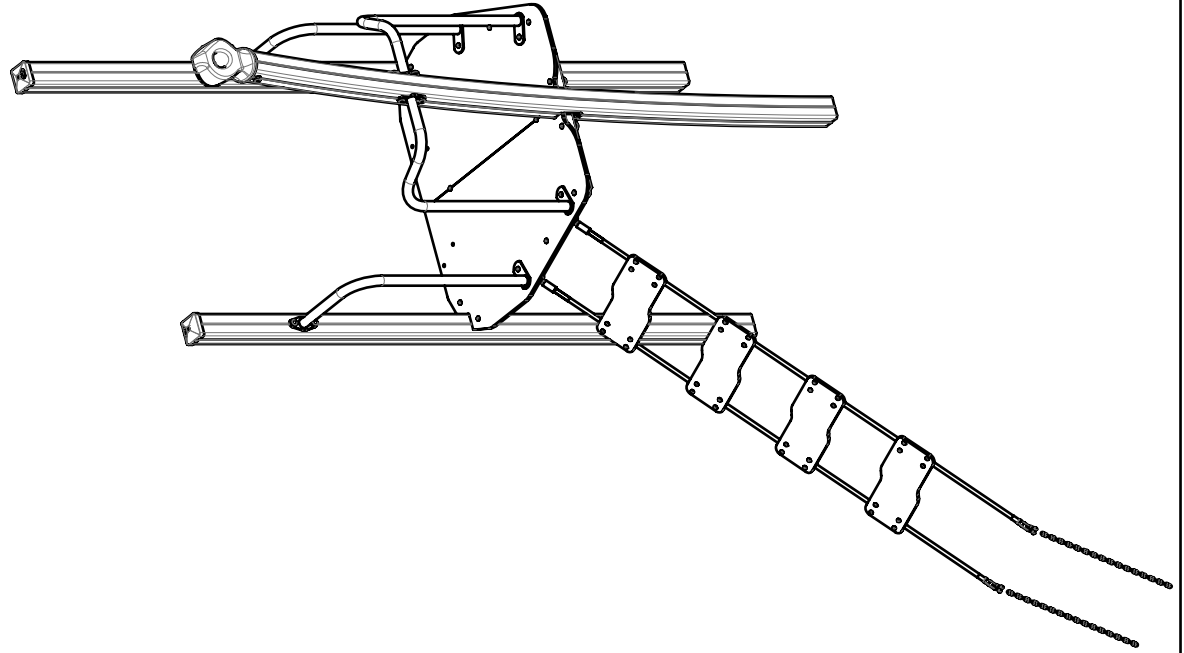


Réf	Qté
LI3838	1
MI2502N	4
VCBHCM6x25I	8
VEBM6	8

1



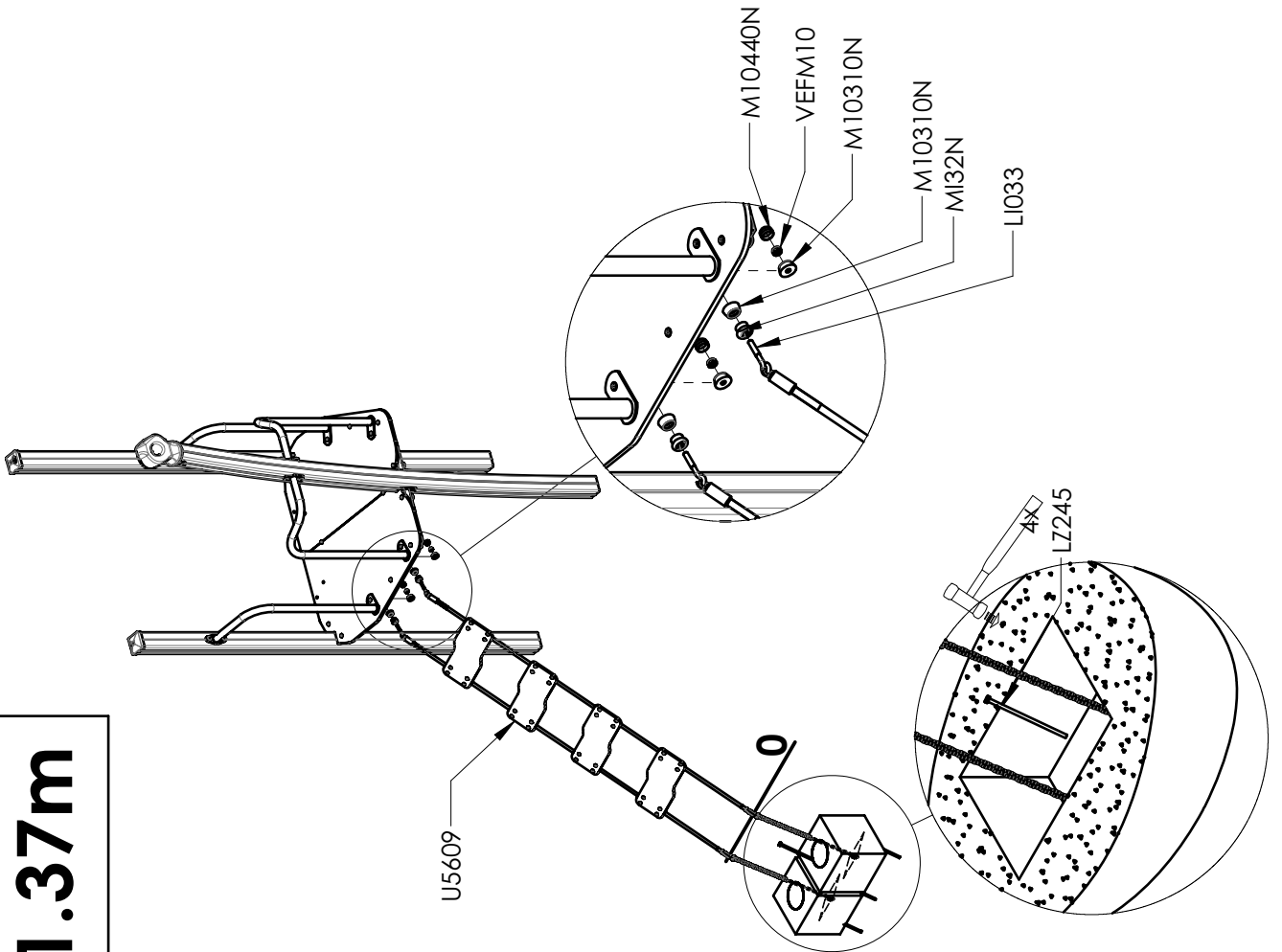
LI5614	1
M8310N	4
M8440N	4
M10310N	2
M10440N	2
VCBHCM10x30I	2
VEFM10	2
VTH6x30A	4



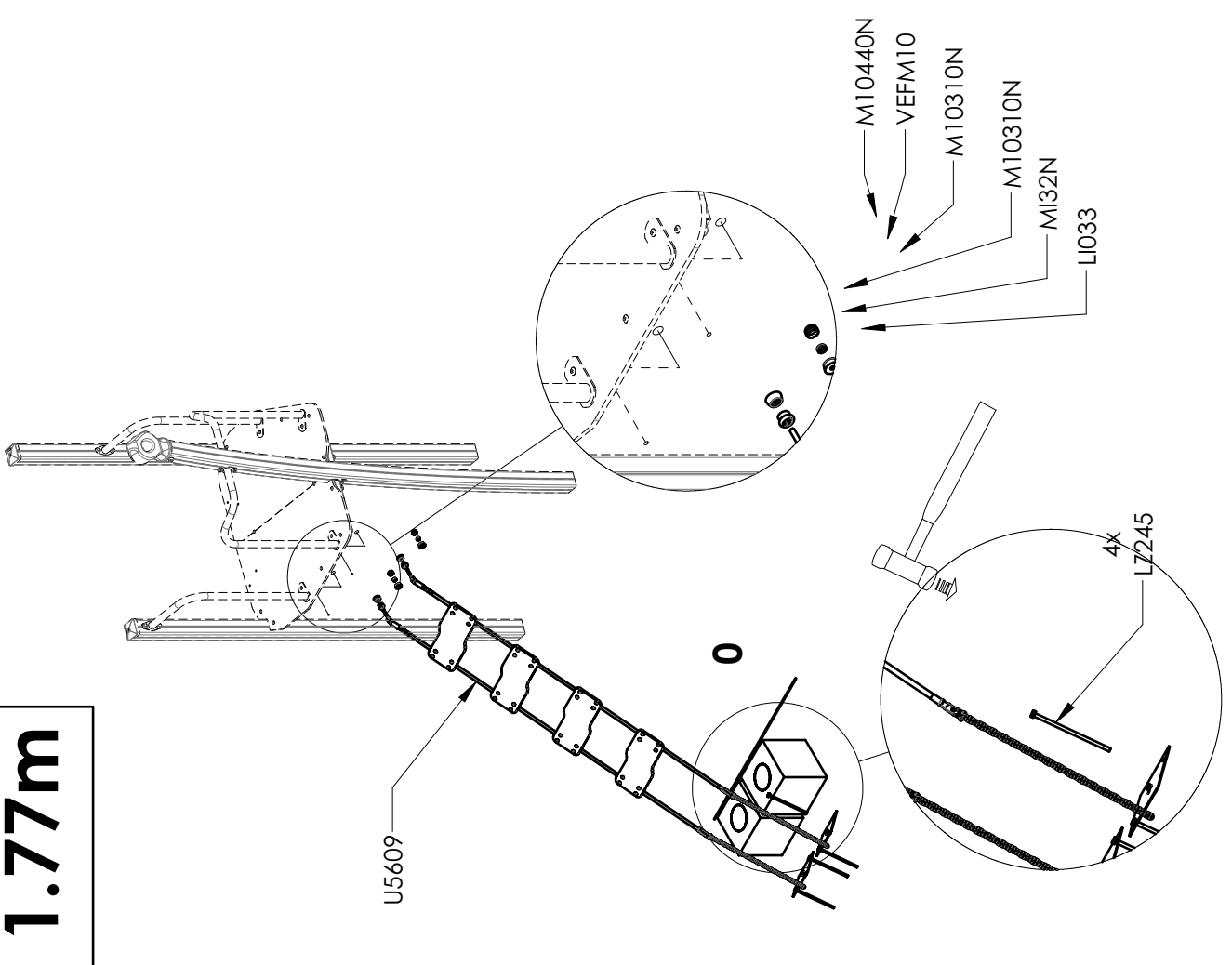
LI033	2
LZ245	4
M10310N	4
M10440N	2
MI32N	2
U5609	1
VEFM10	2

G5628A

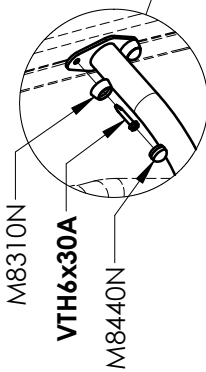
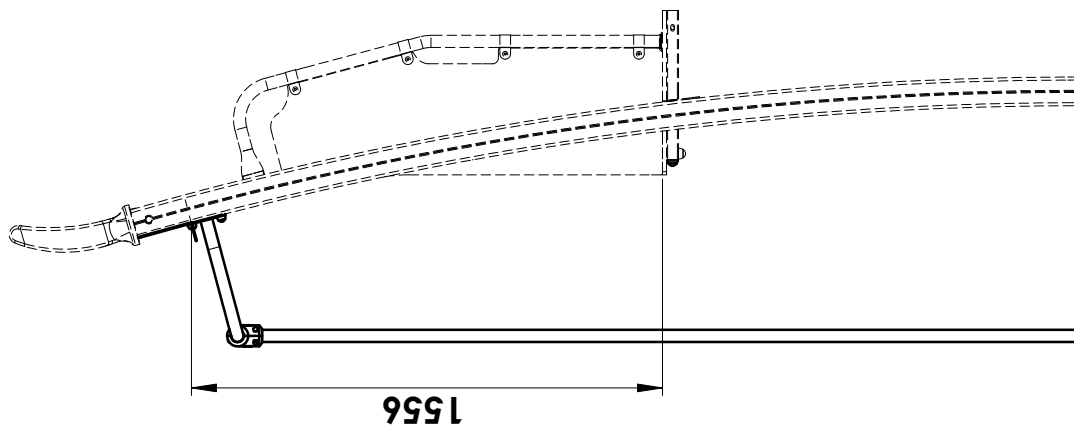
1.37m



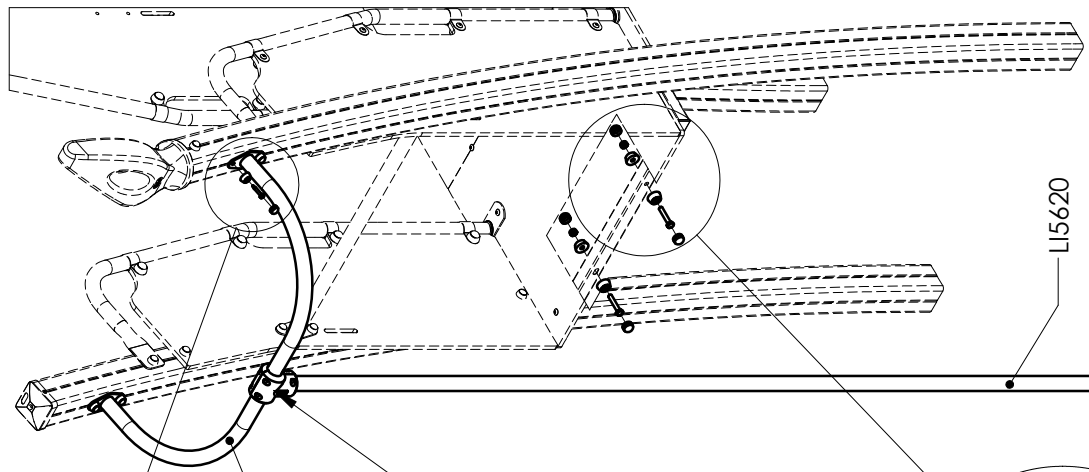
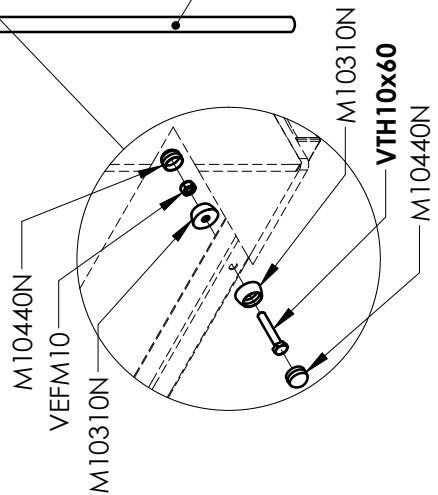
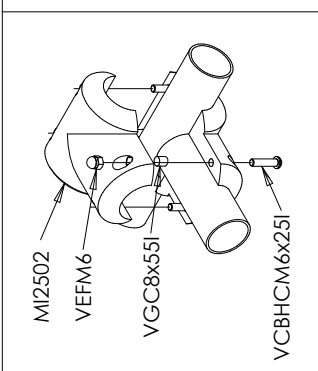
1.77m



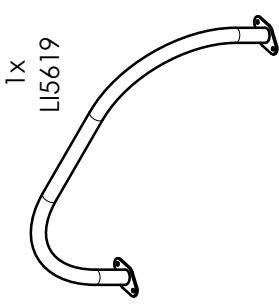
1



LI5619



1x
LI5620

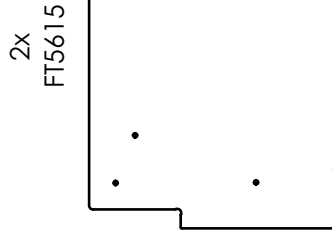
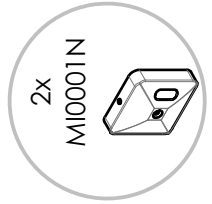
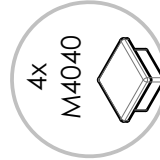
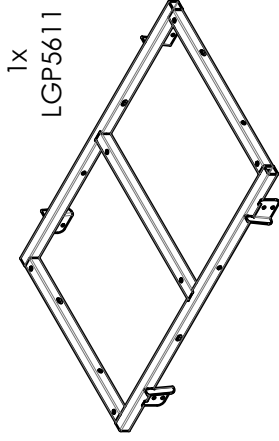
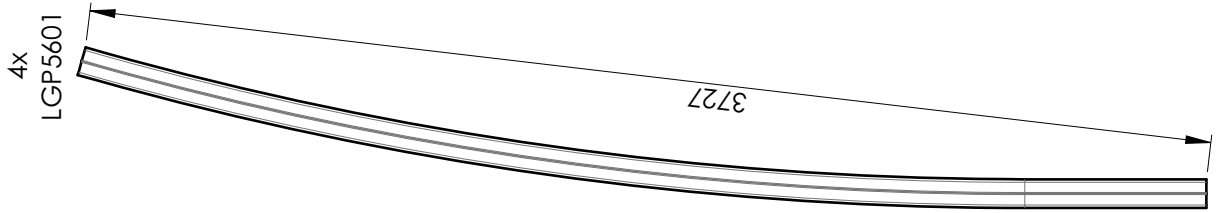
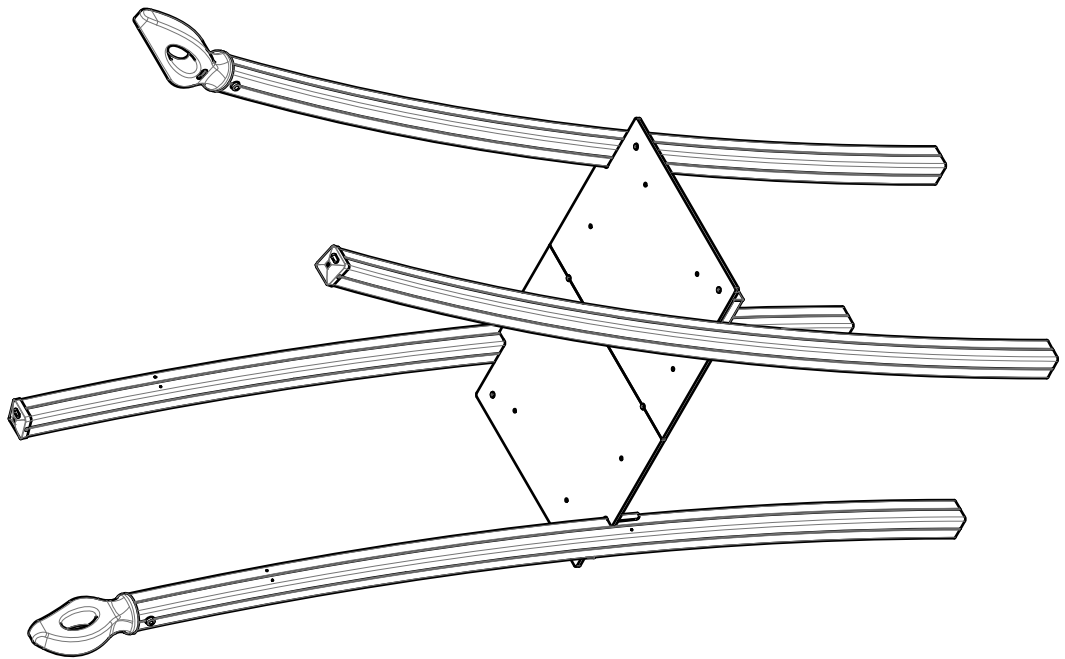


1x
LI5619



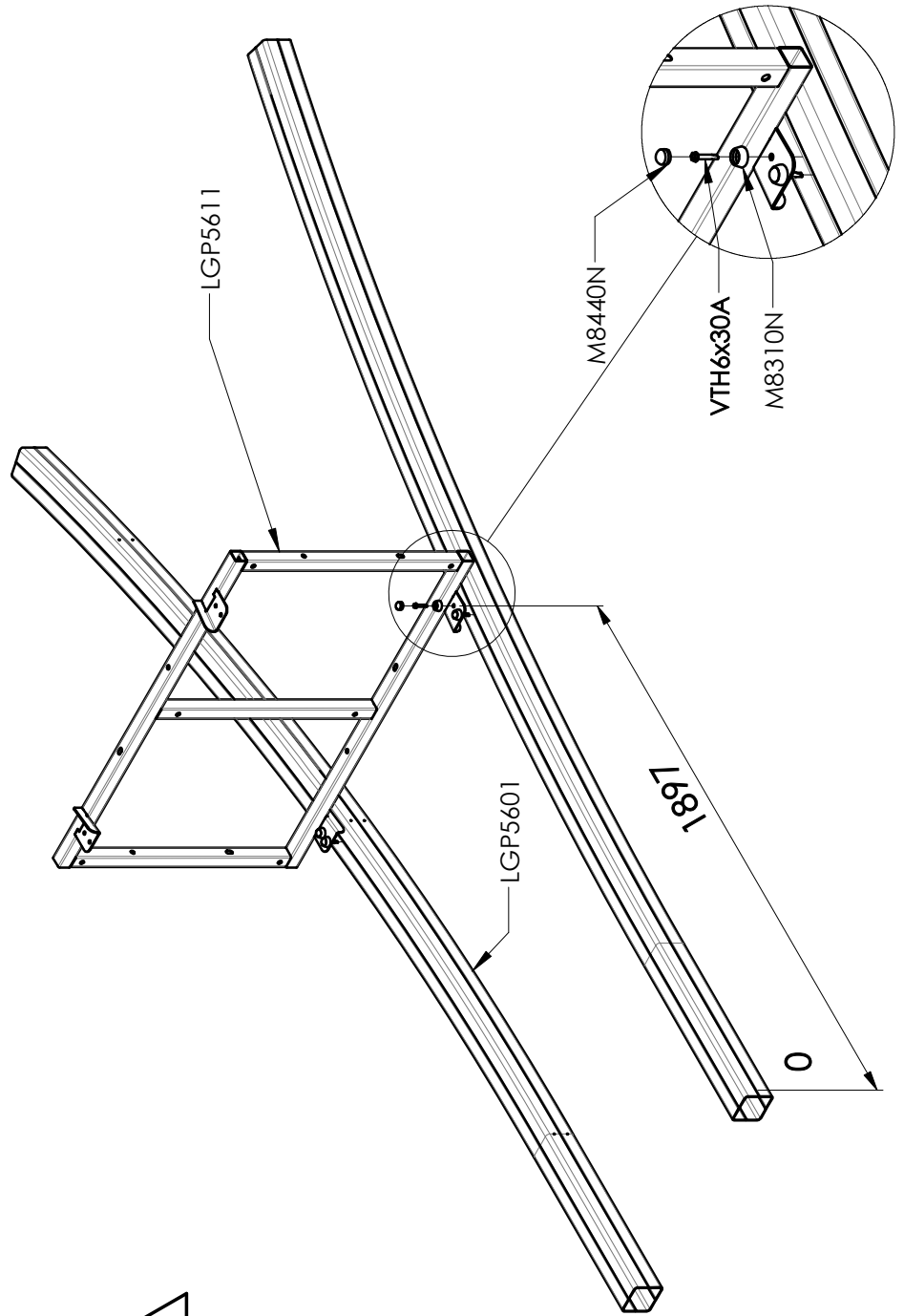
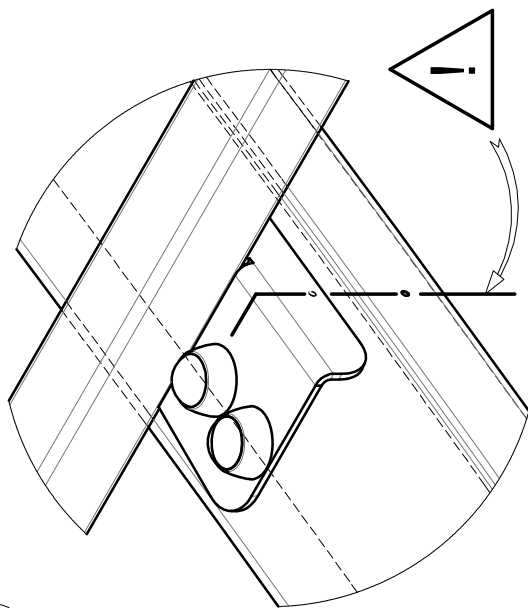
2x
M12502N

LI5619	1
LI5620	1
M8310N	4
M8440N	4
M10310N	4
M10440N	4
M12502N	2
VCBHCM6x25I	4
VEFM6	4
VEFM10	2
VGC8x55I	1
VTH6x30A	4
VTH10x60	2

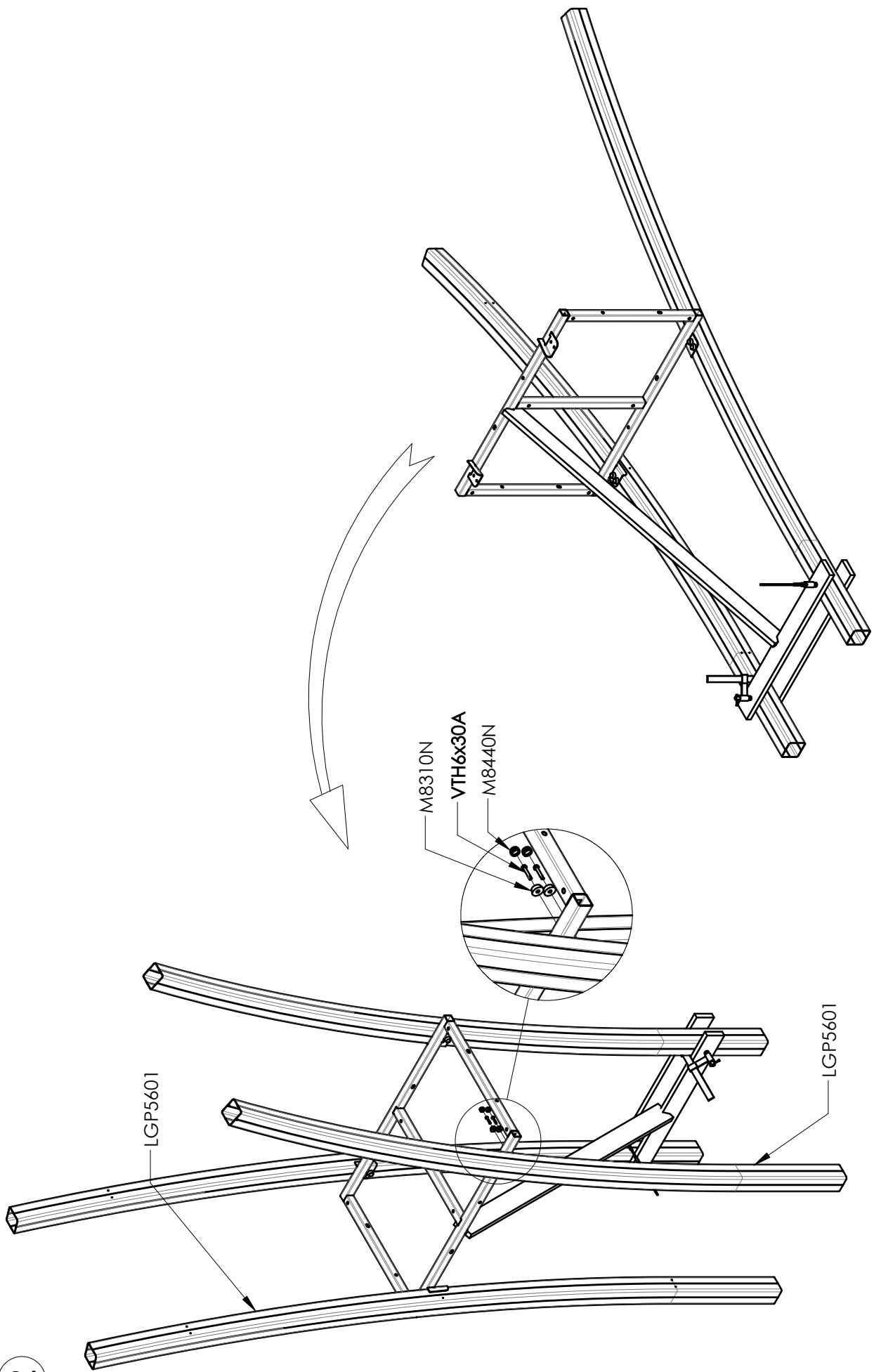


FT5615	2
LGP5601	4
LGP5611M	1
M4040	4
M5600	2
M8310N	12
M8440N	12
M10310N	6
M10440N	6
MI0001N	2
RRAV6	4
VCBHC M10x70I	6
VEFM10	6
VTH6x30A	12

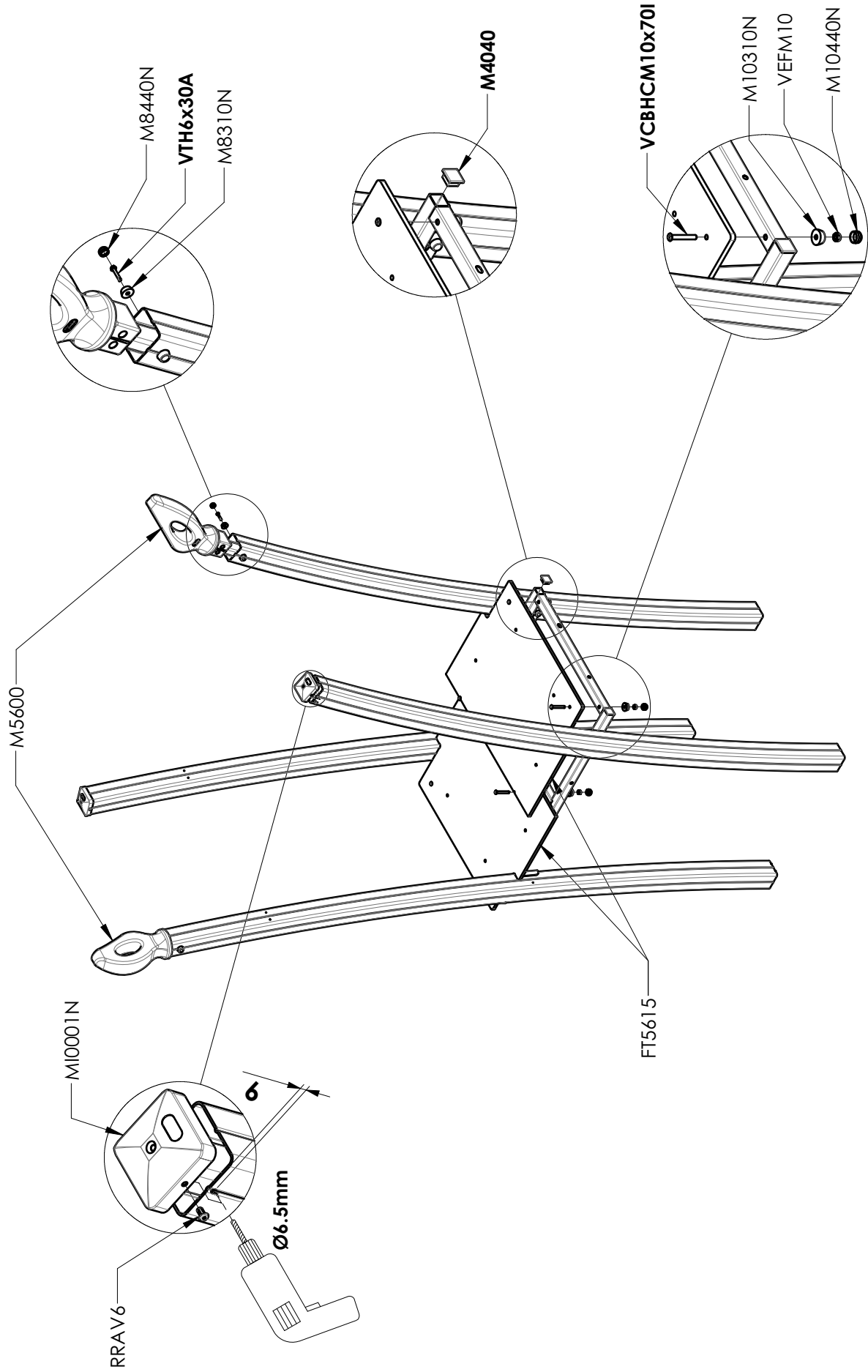
1



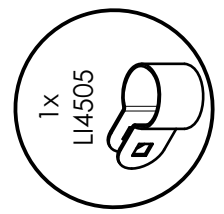
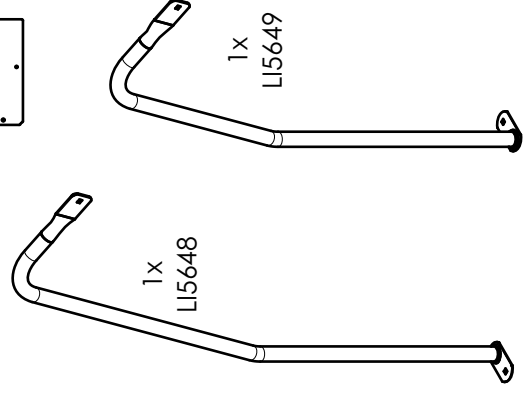
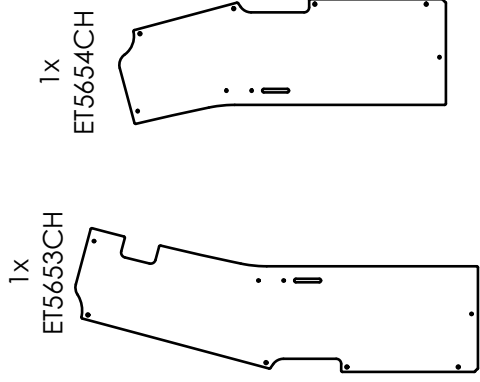
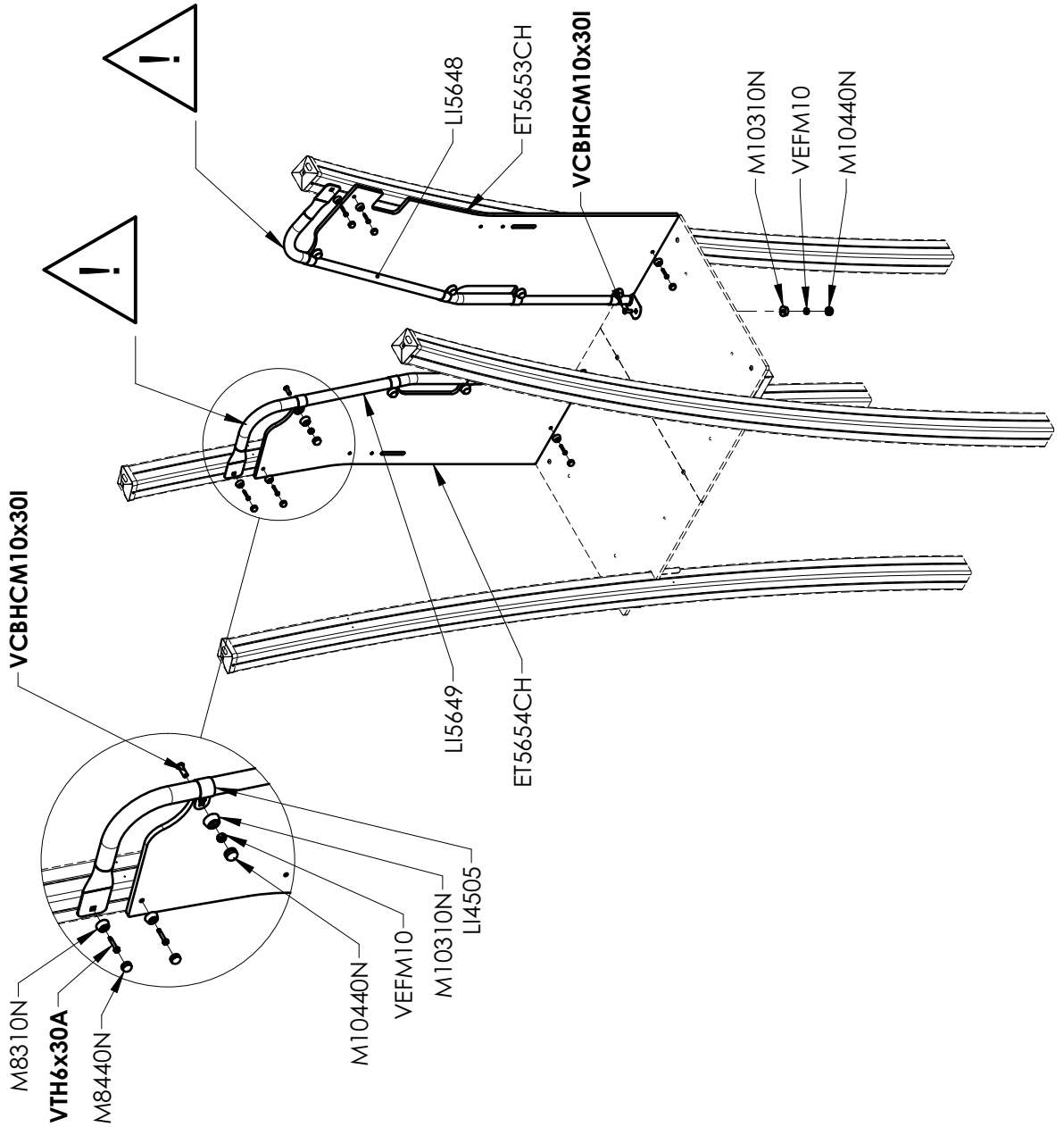
2



3

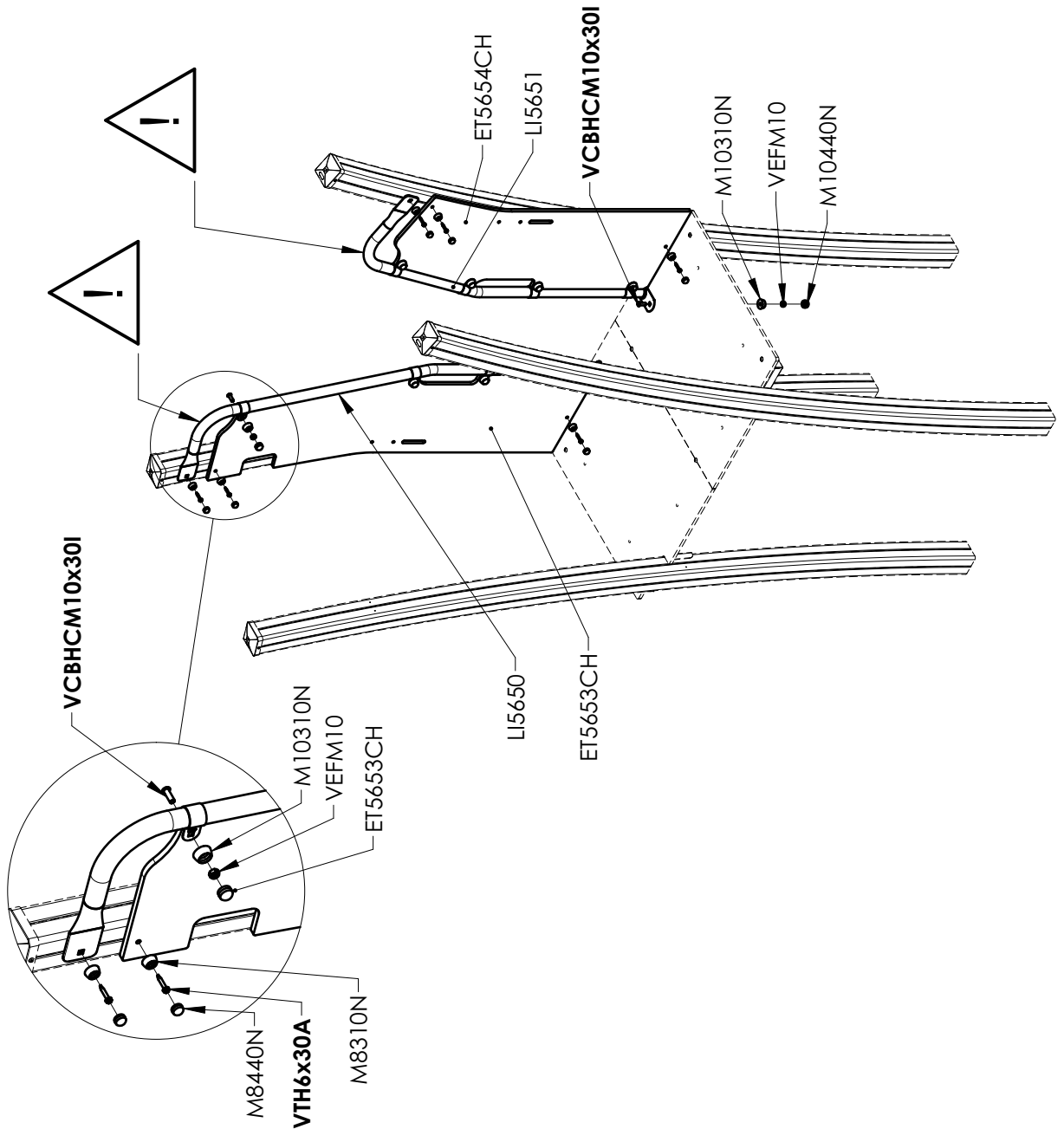


1

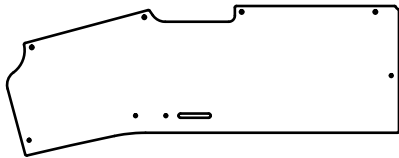


Réf	Qté
ET5653CH	1
ET5654CH	1
LI4505	8
LI5648	1
LI5649	1
M8310N	6
M8440N	6
M10310N	10
M10440N	10
VCBHC M10x30I	10
VEFM10	10
VTH6x30A	6

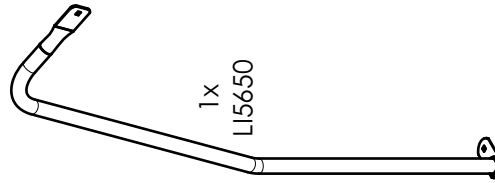
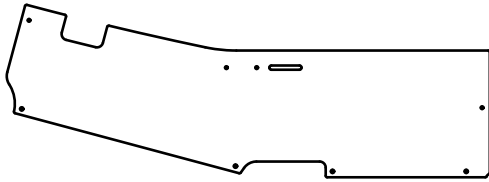
1



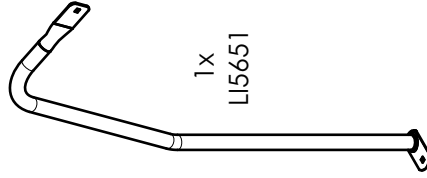
1x
ET5654CH



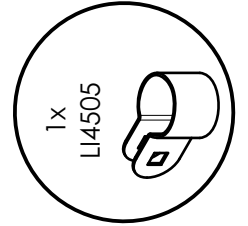
1x
ET5653CH



1x
LI5650

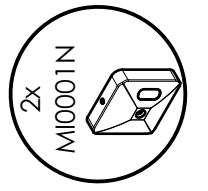
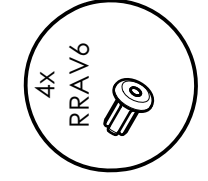
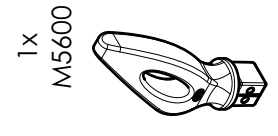
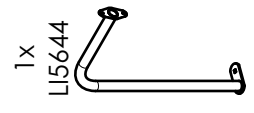
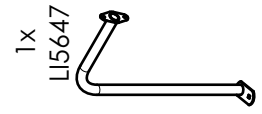
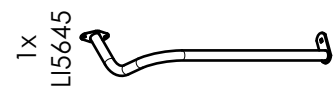
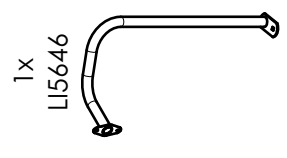
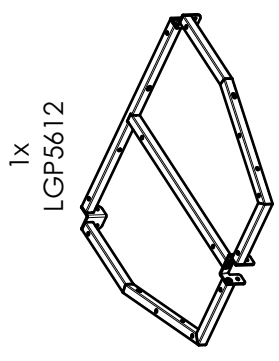
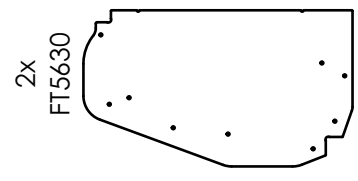
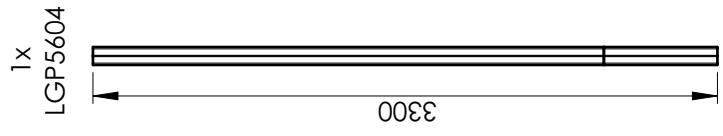
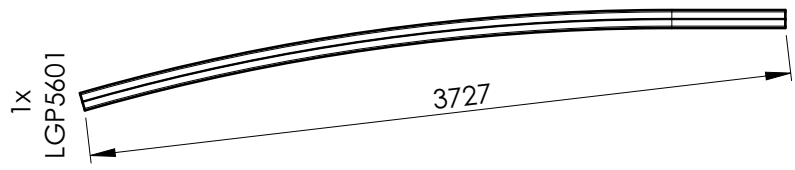
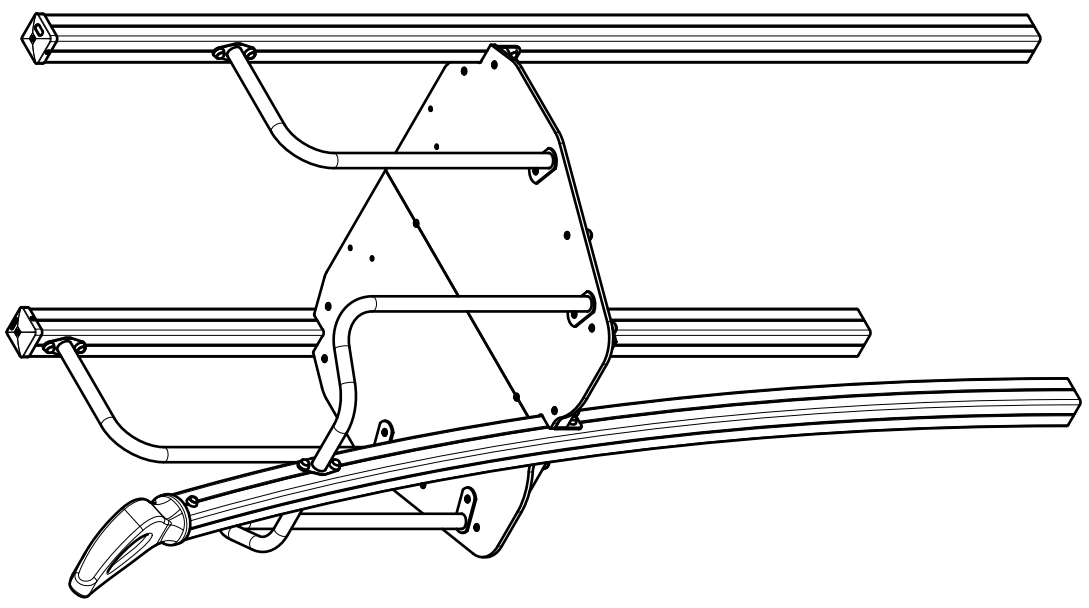


1x
LI5651



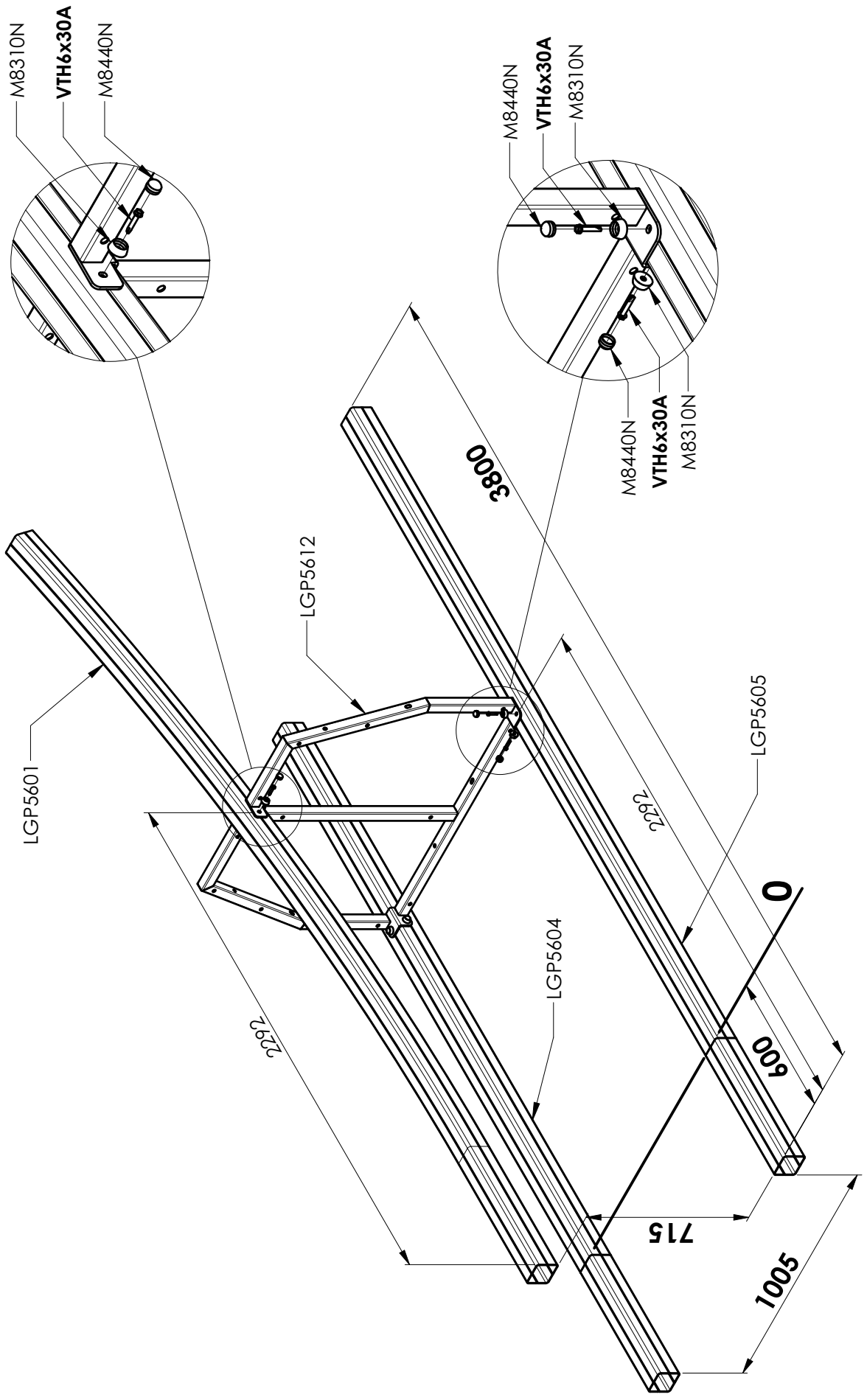
1x
LI4505

Réf	Qté
ET5653CH	1
ET5654CH	1
LI4505	8
LI5650	1
LI5651	1
M8310N	6
M8440N	6
M10310N	10
M10440N	10
VCBHCM10x30I	10
VEFM10	10
VTH6x30A	6

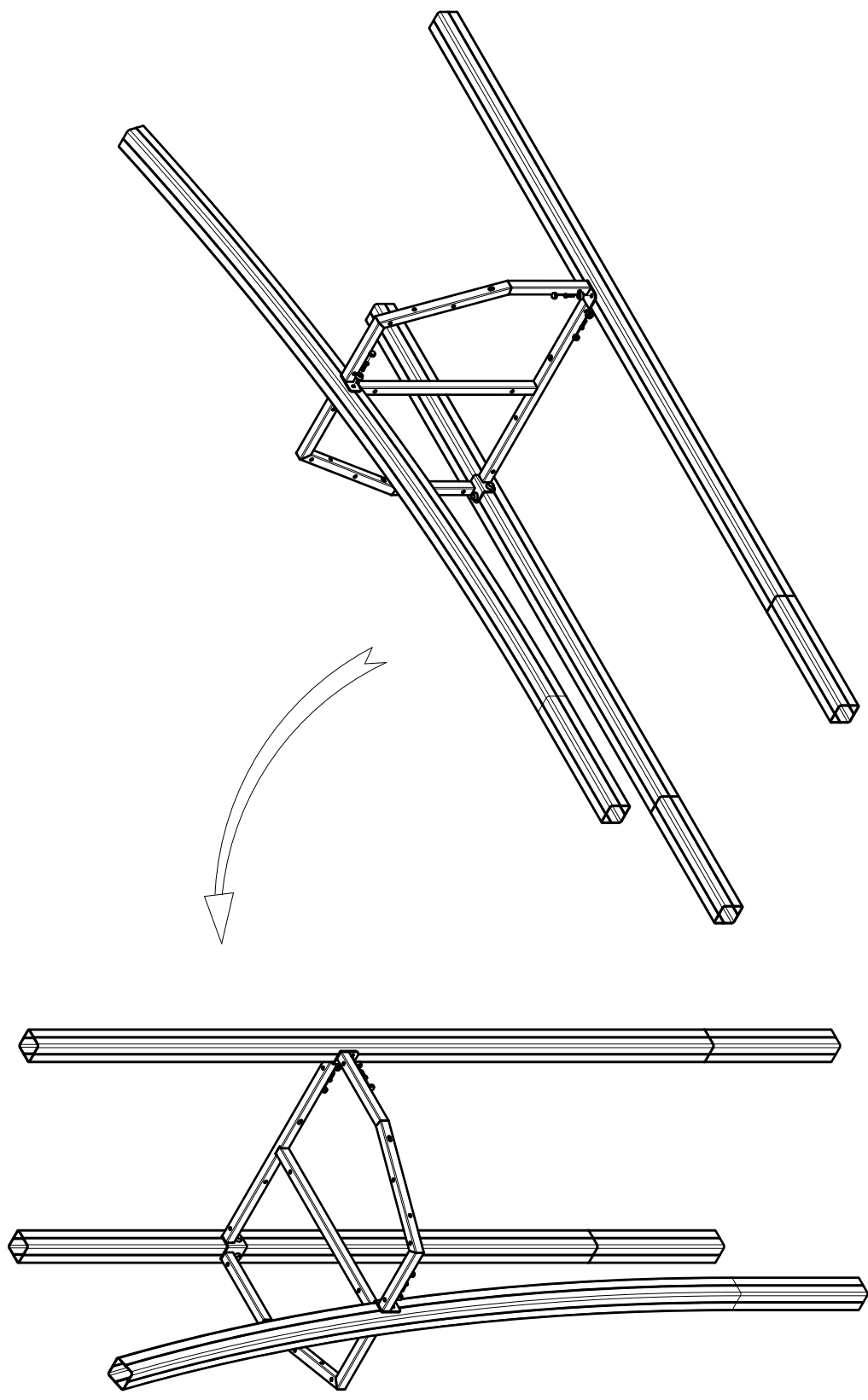


FT5630	2
LGP5601	1
LGP5604	1
LGP5605	1
LGP5612M	1
LI5644	1
LI5645	1
LI5646	1
LI5647	1
M5600	1
M8310N	16
M8440N	16
M10310N	16
M10440N	16
MI0001N	2
RRAV6	4
VCBHC10x30I	4
VCBHC10x70I	12
VEFM10	16
VTH6x30A	16

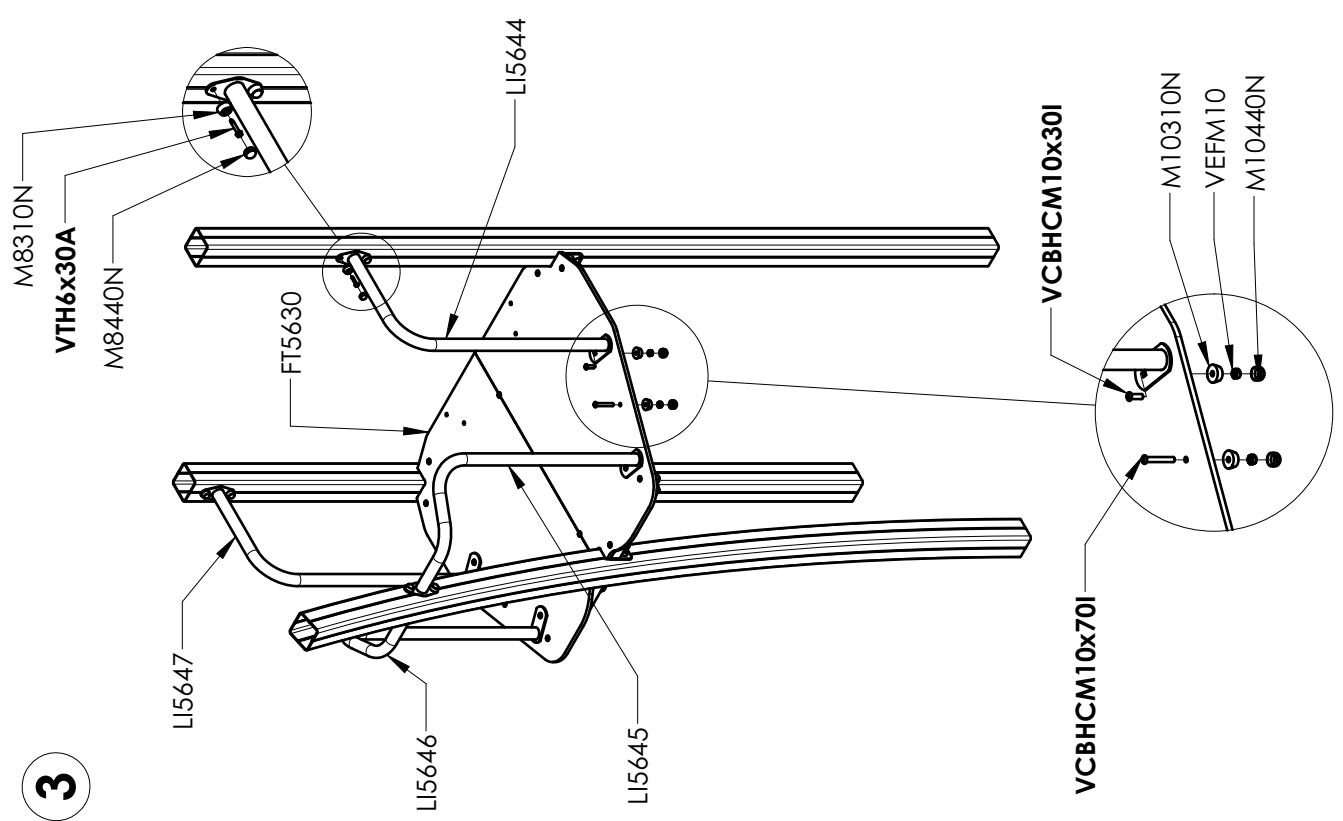
1



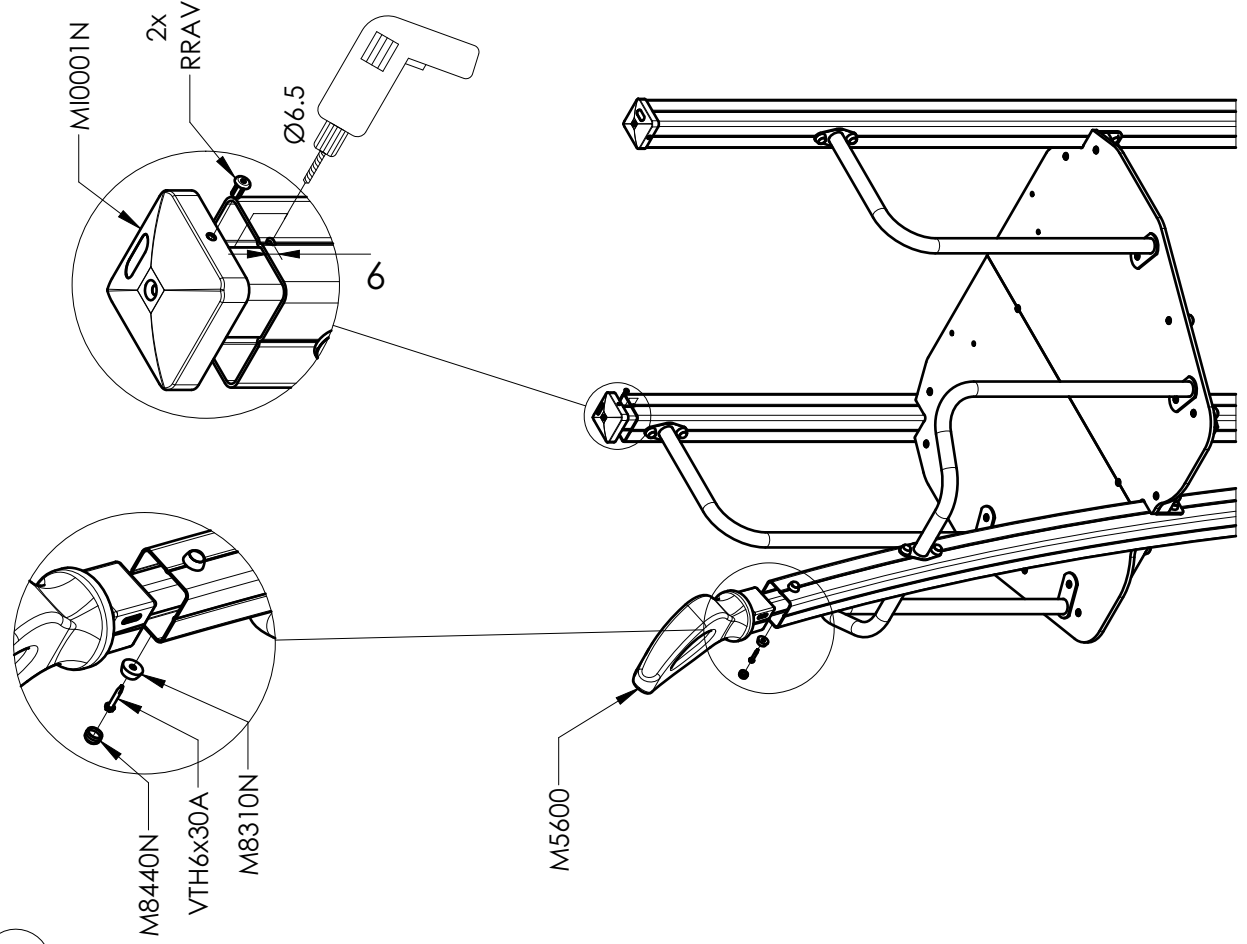
2

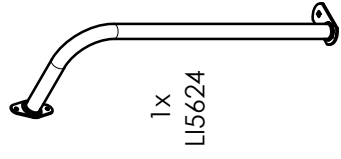
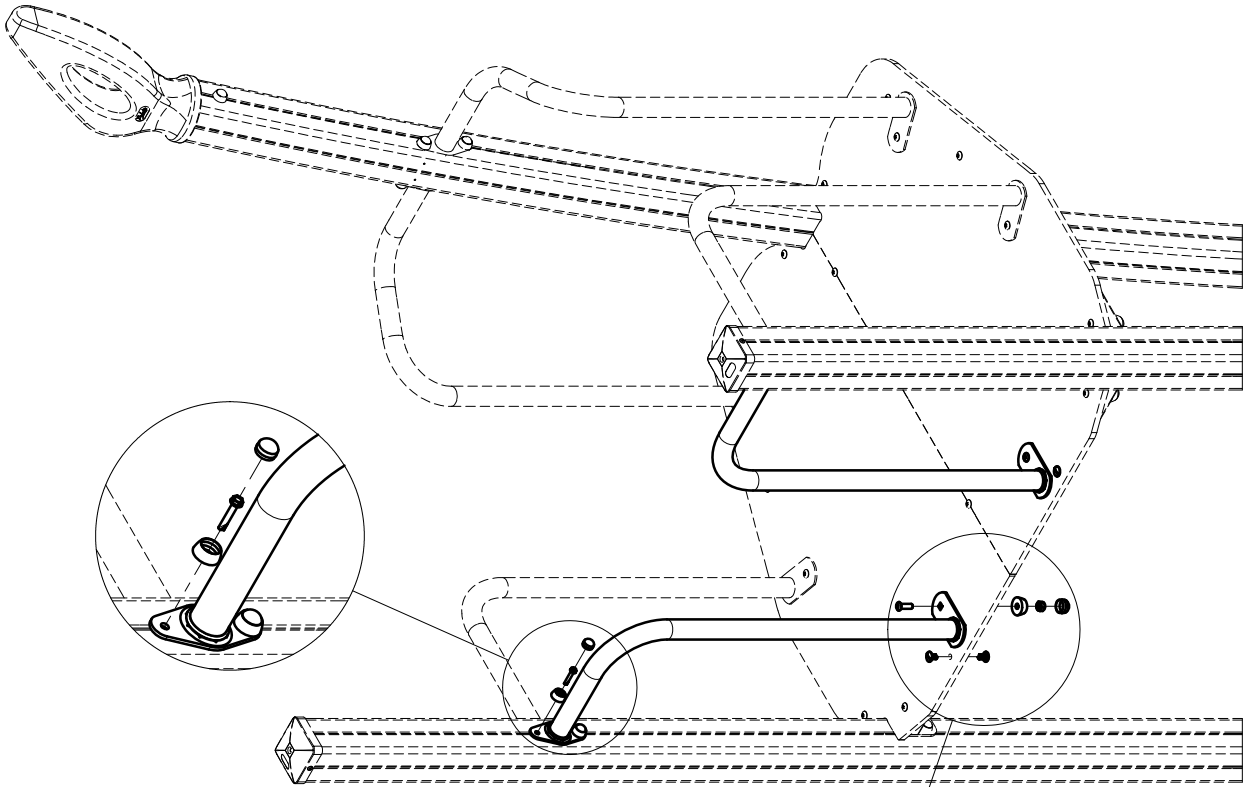


3

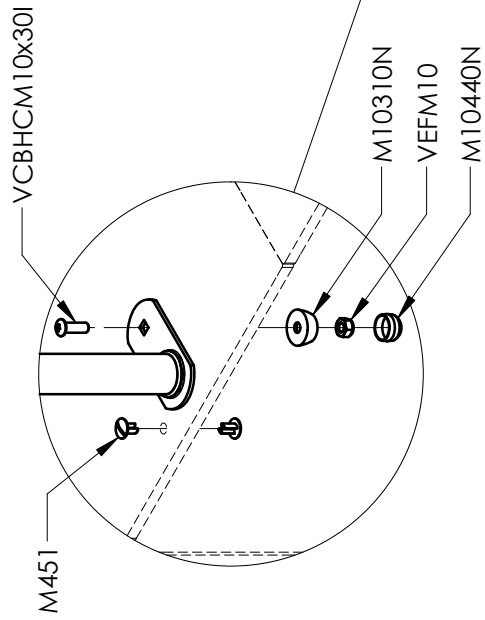


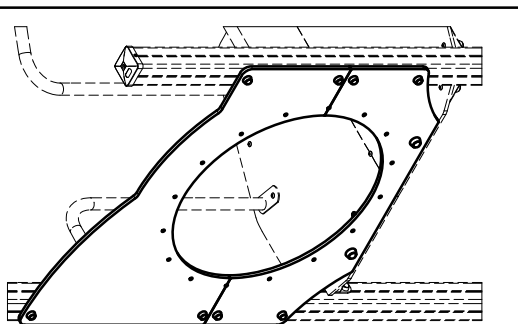
4



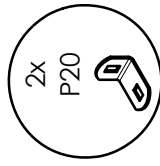
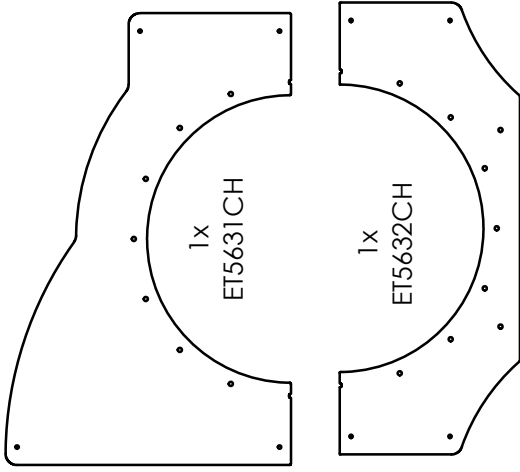
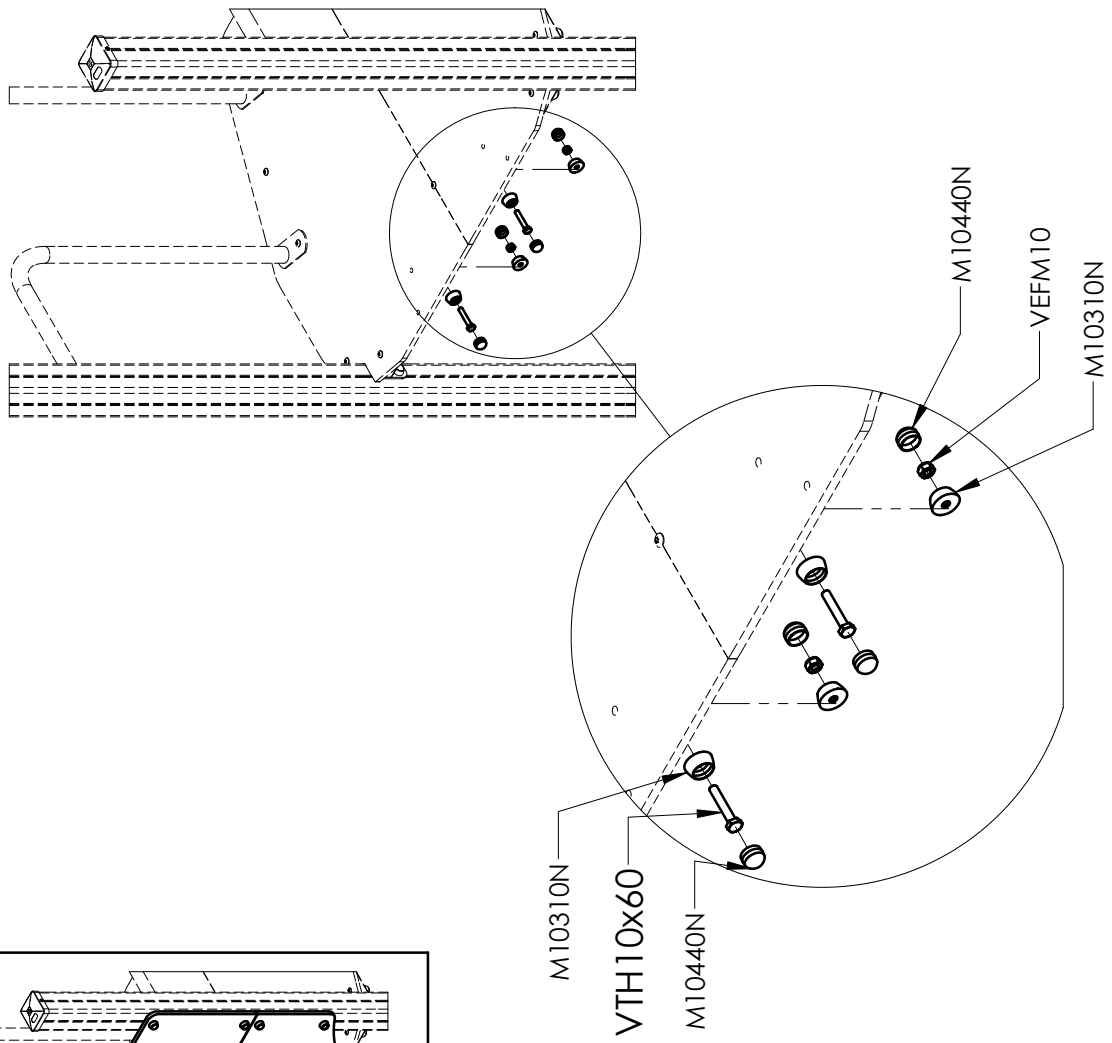


LI5624	1
LI5625	1
M451	4
M8310N	4
M8440N	4
M10310N	2
M10440N	2
VCBHCM10x30I	2
VEFM10	2
VTH6x30A	4

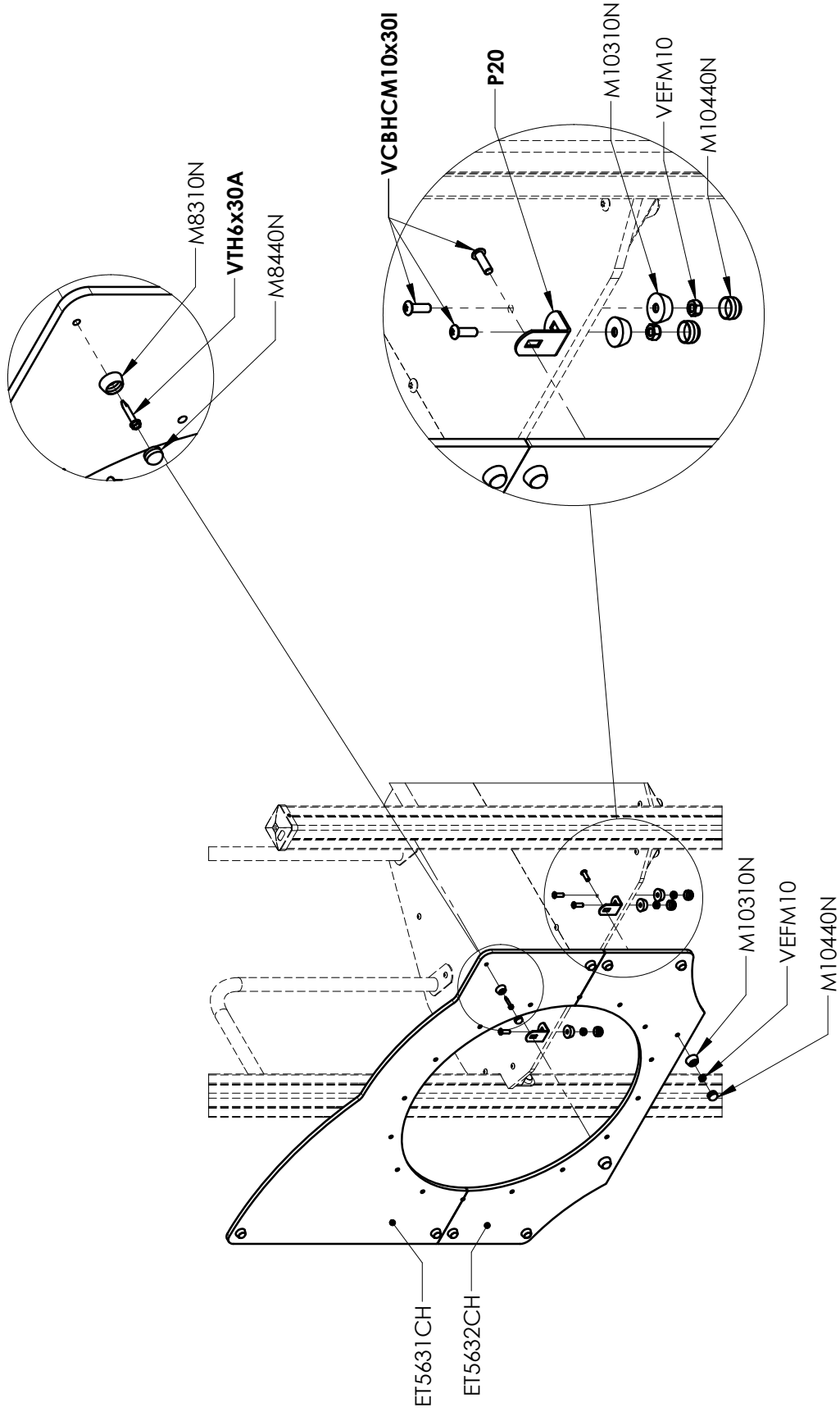


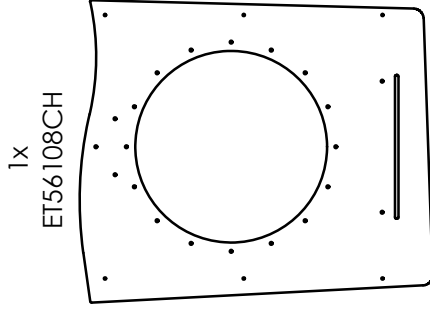
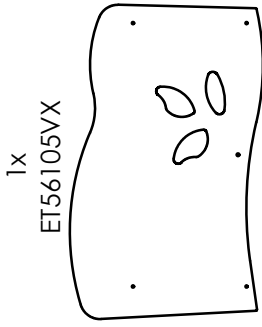
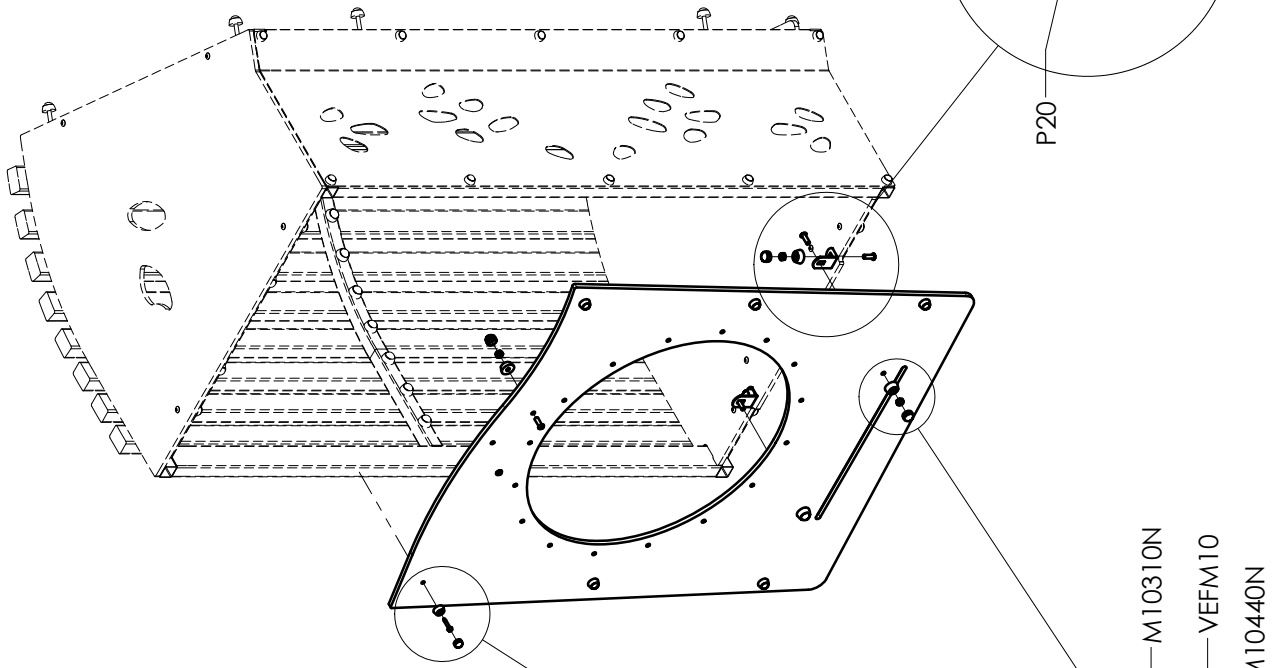
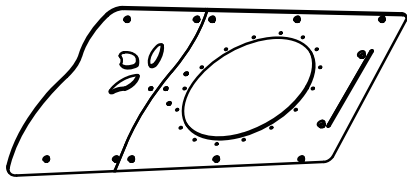


1

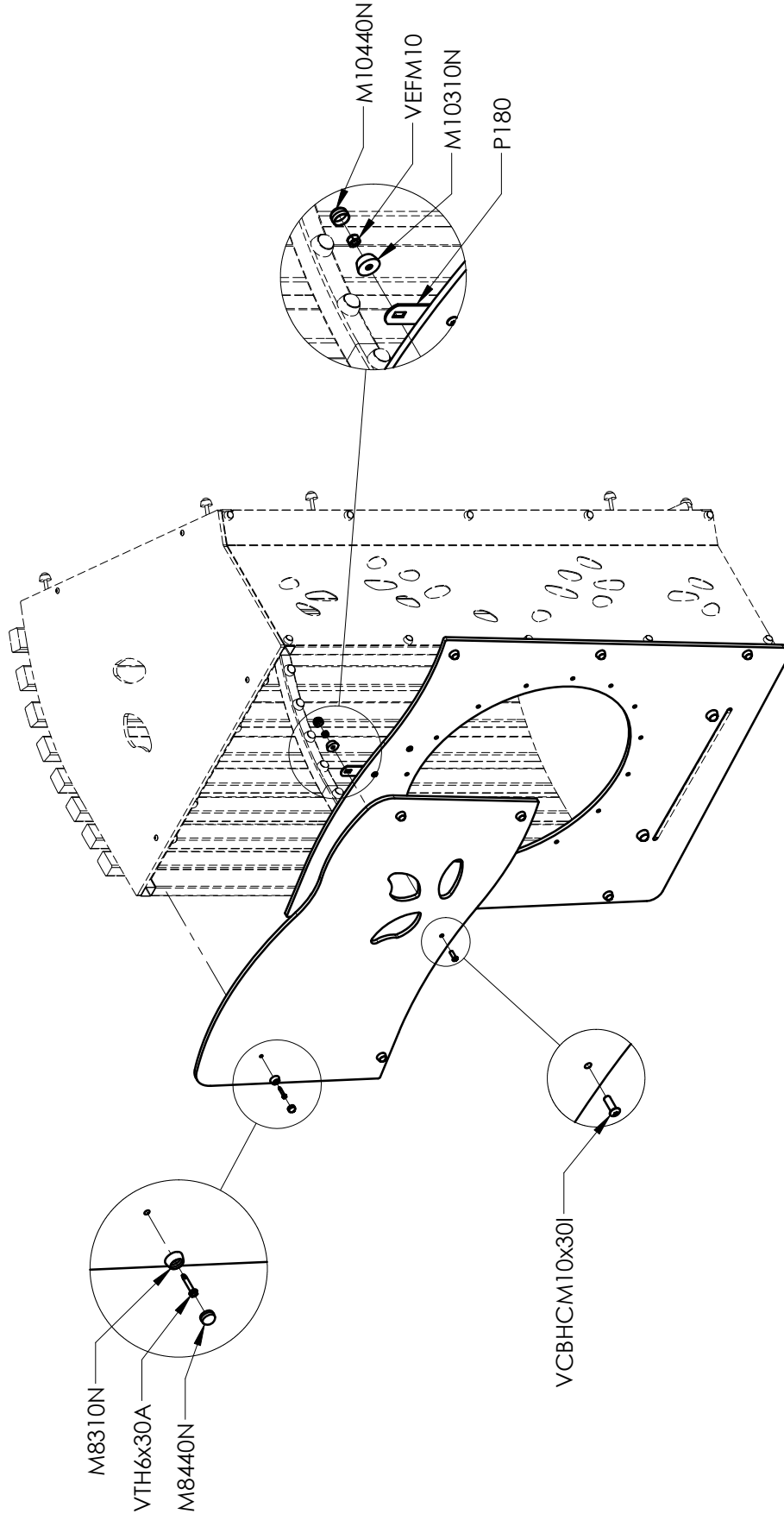


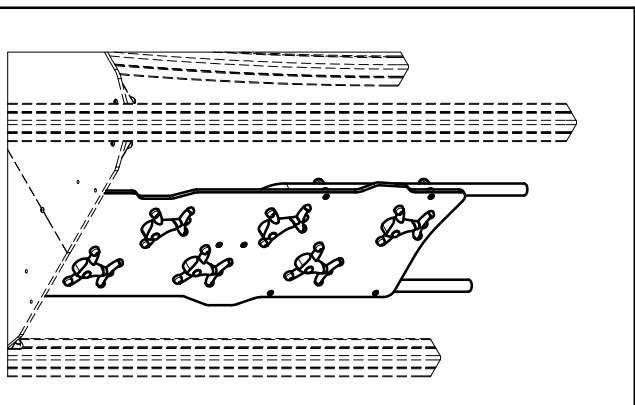
ET5631CH	1
ET5632CH	1
M8310N	8
M8440N	8
M10310N	10
M10440N	10
P20	2
VCBHC M10x30I	6
VEFM10	8
VTH6x30A	8
VTH10x60	2



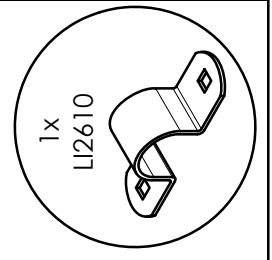
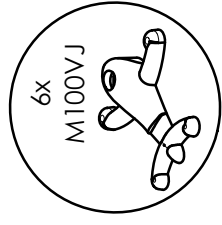
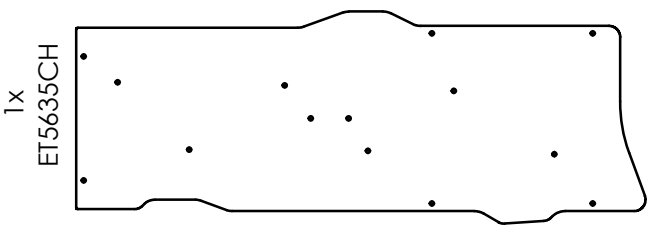
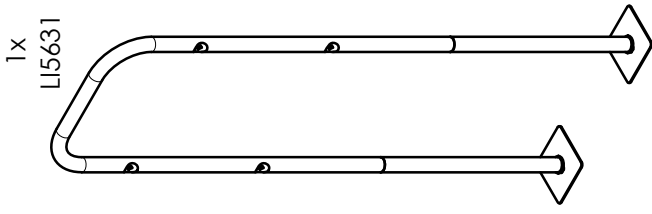
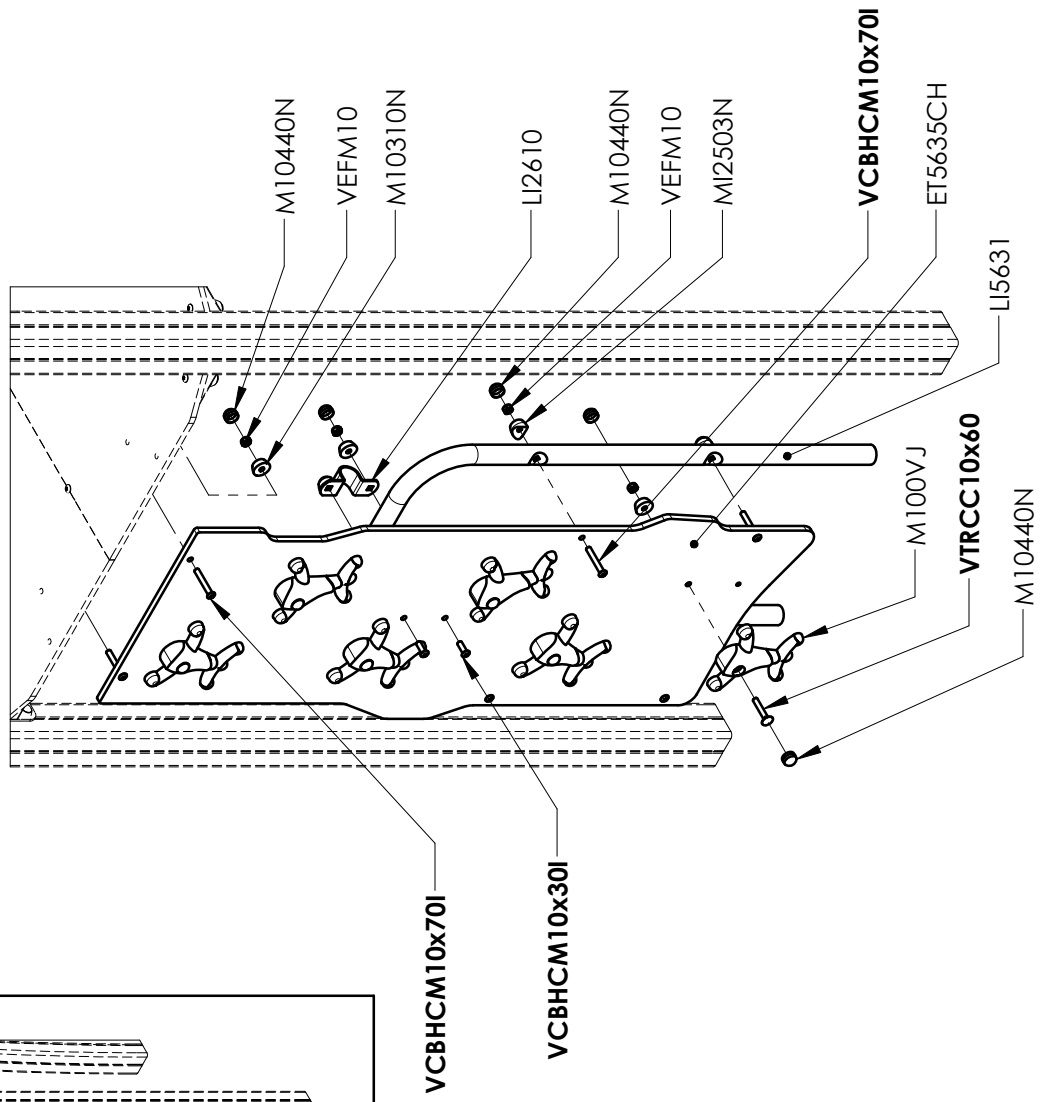


ET56105VX	1
ET56108CH	1
M8310N	10
M8440N	10
M10310N	8
M10440N	8
P20	2
P180	1
VCBHCM10x30I	8
VEFM10	8
VTH6x30A	10

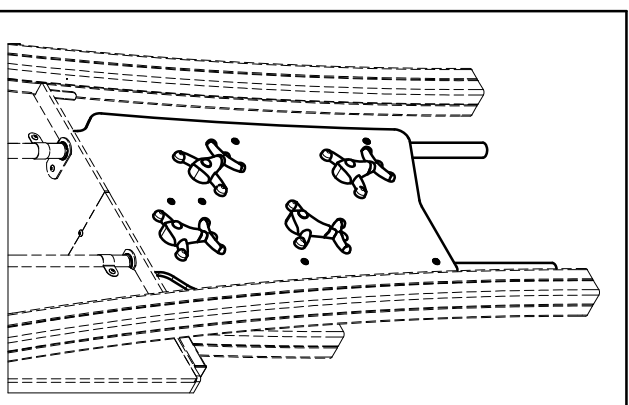




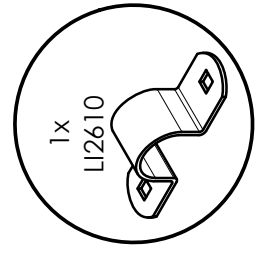
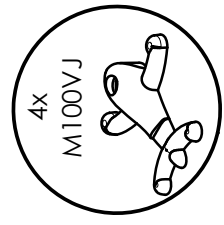
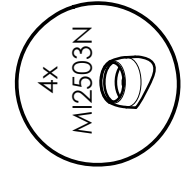
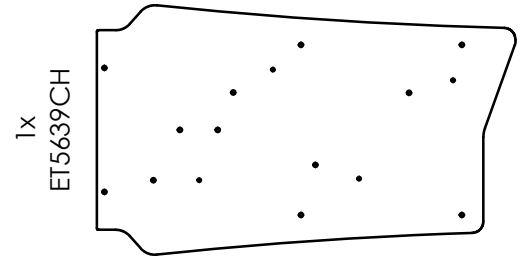
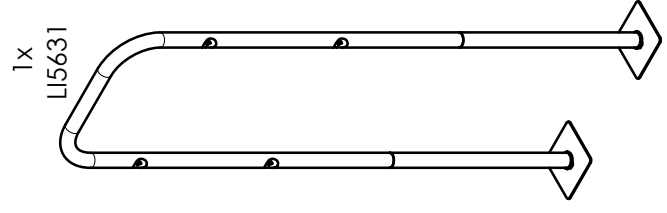
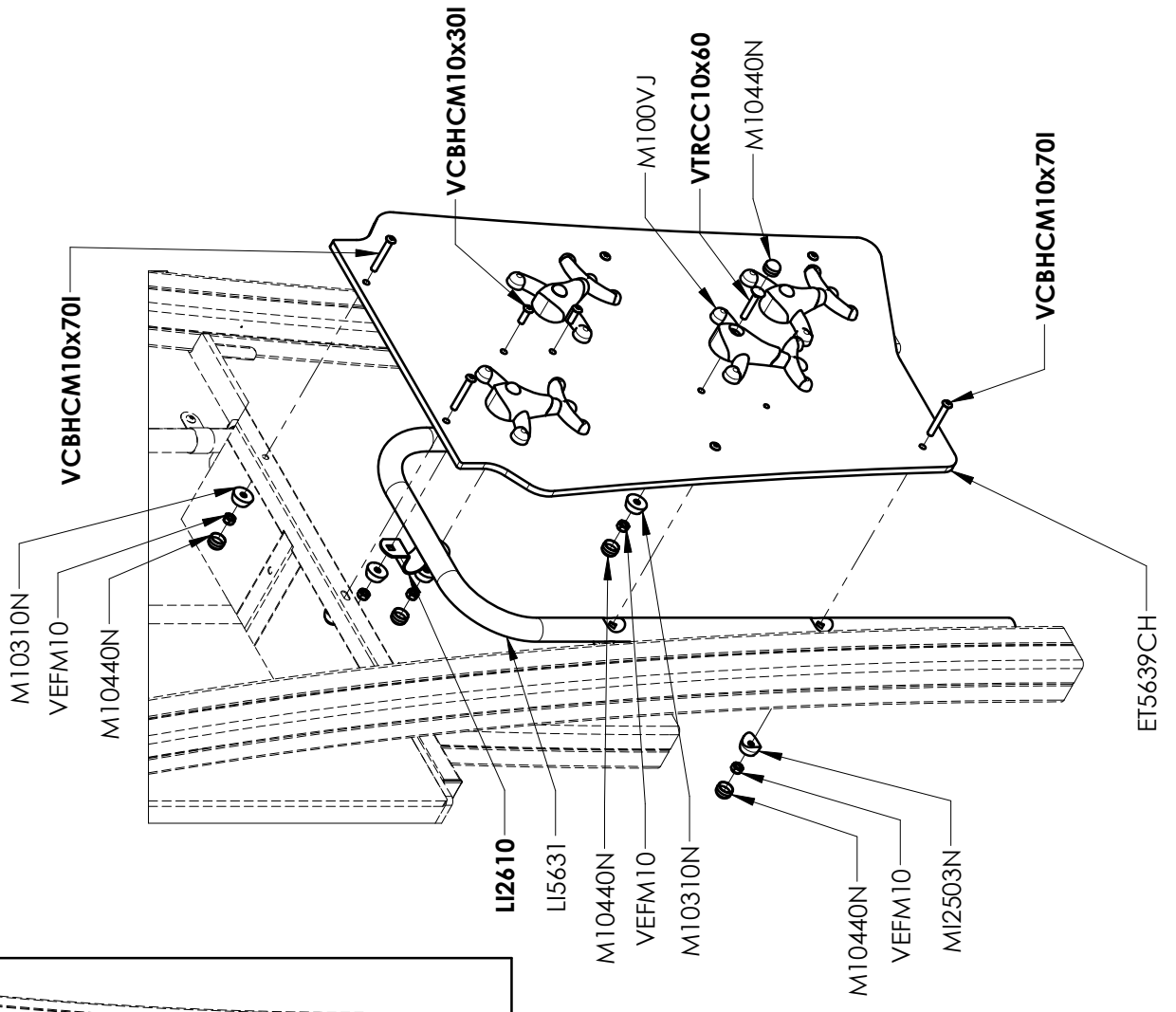
1



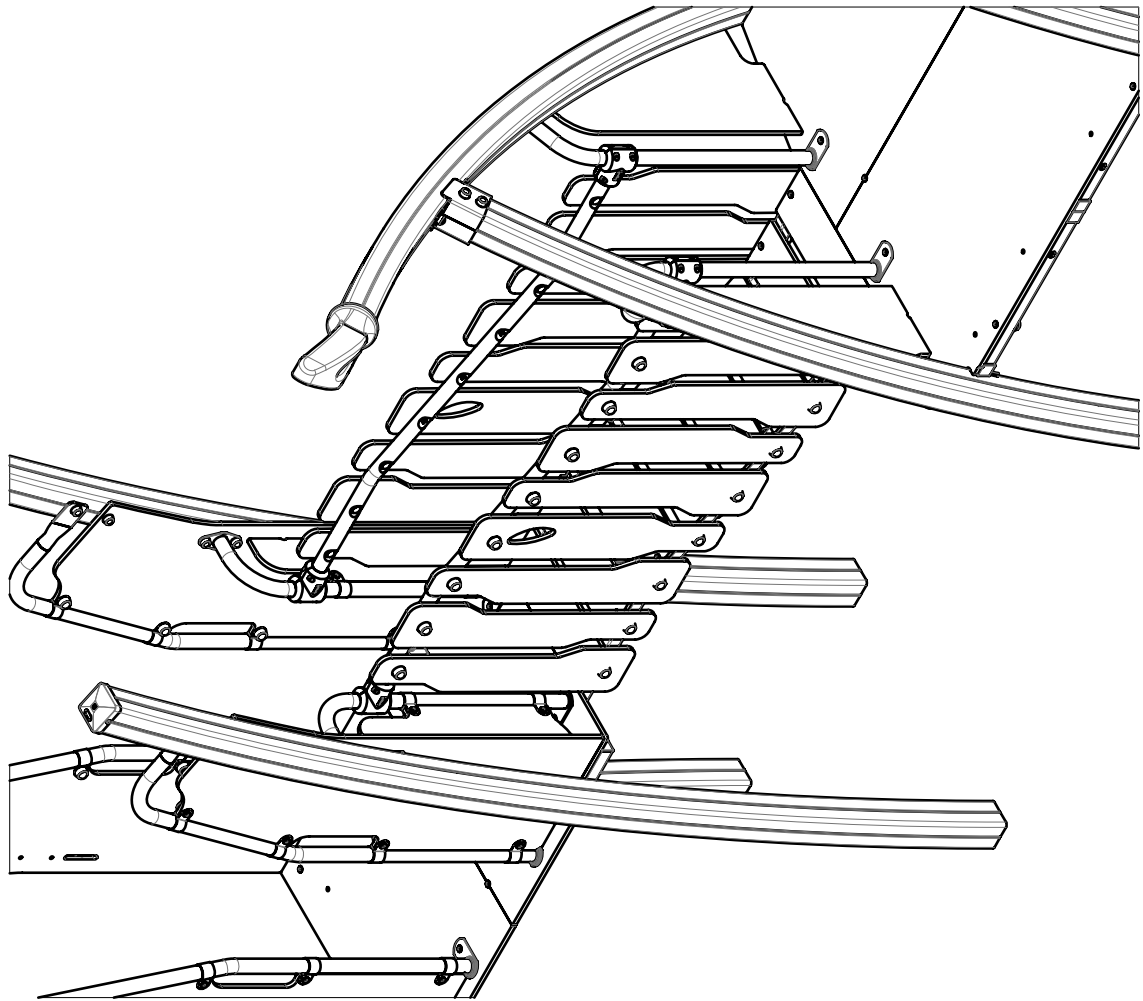
ET5635CH	1
LI2610	1
LI5631	1
M100VJ	6
M10310N	10
M10440N	20
M12503N	4
VCBHC10x30I	2
VCBHC10x70I	6
VEFM10	14
VTRCC10x60	6



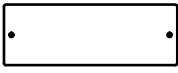
1



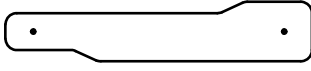
ET5639CH	1
LI2610	1
LI5631	1
M100VJ	4
M10310N	8
M10440N	16
M12503N	4
VCBHC M10x30I	2
VCBHC M10x70I	6
VEFM10	12
VTRCC10x60	4



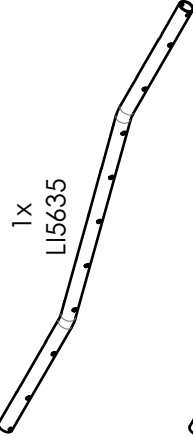
8x
FT5640



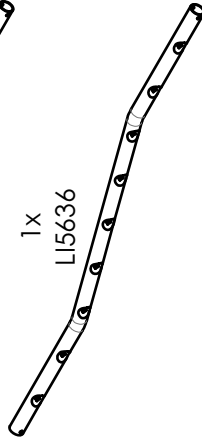
16x
ET5637VX



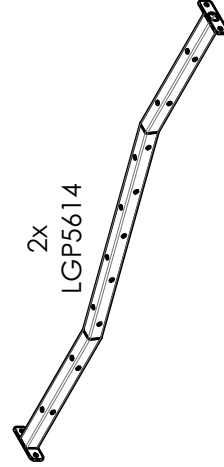
2x
ET5638CH



1x
LI5635



1x
LI5636



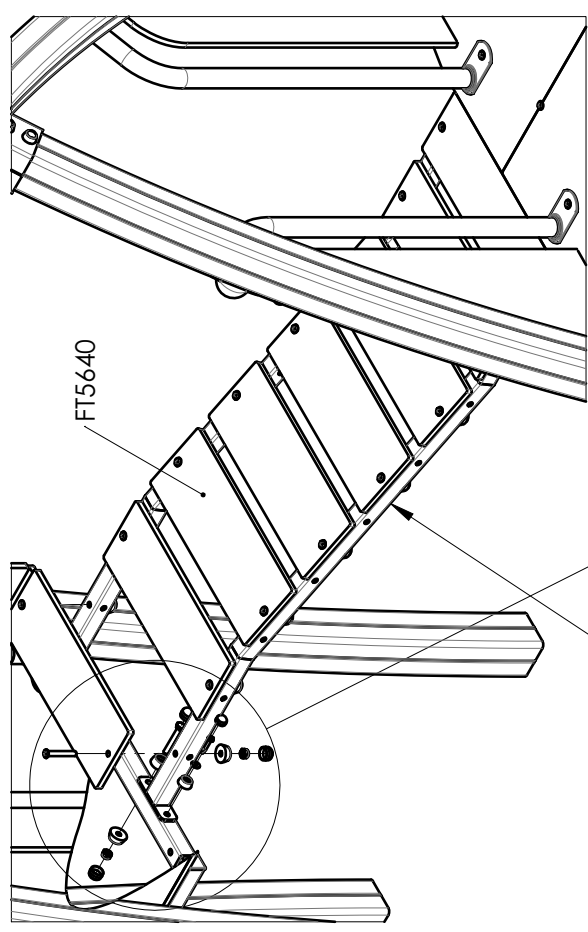
2x
LGP5614



8x
MI2502N

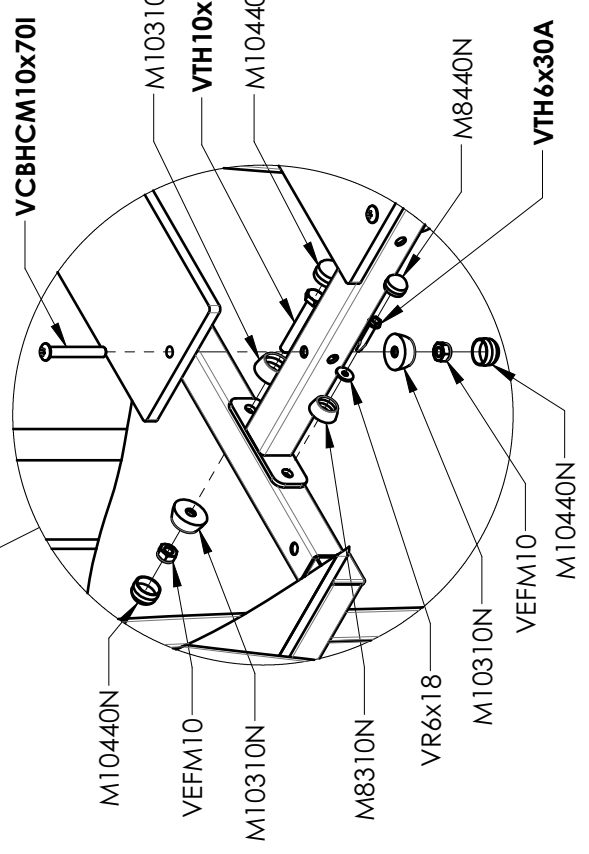
ET5637VX	16
ET5638CH	2
FT5640	8
LGP5614	2
LI5635	1
LI5636	1
M8310N	4
M8440N	4
M10310N	78
M10440N	78
MI2502N	8
VCBHC6x25I	16
VCBHC10x70I	16
VEBM6	16
VECM10	18
VEFM10	38
VGC8x55I	4
VR6x18	4
VTH6x30A	4
VTH10x70	22
VTRCC10x60	18

1



FT5640

LGP5614



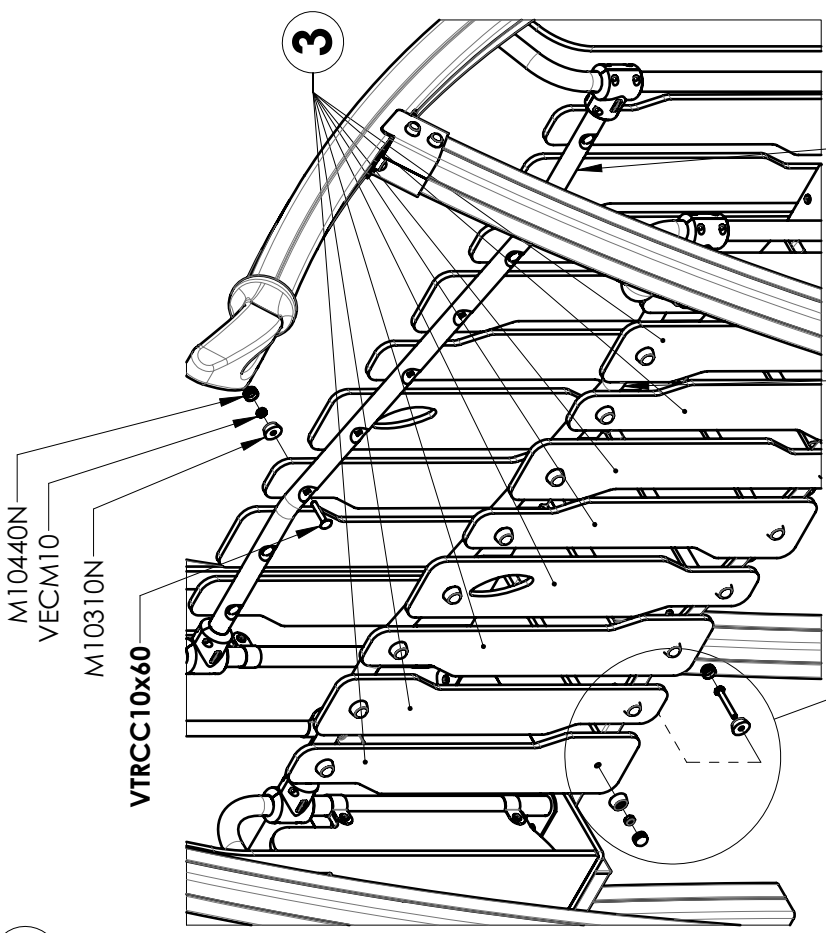
VCBHC10x70I

M10440N
VEFM10
M10310N
M8310N
VR6x18
M10310N
VEFM10
M10440N

M10440N
VEFM10
M10310N
M10440N

M8440N
VTH6x30A

2



M10440N
VEFM10

M10310N

VTRCC10x60

3

M10310N

VEFM10

M10440N

LI5635

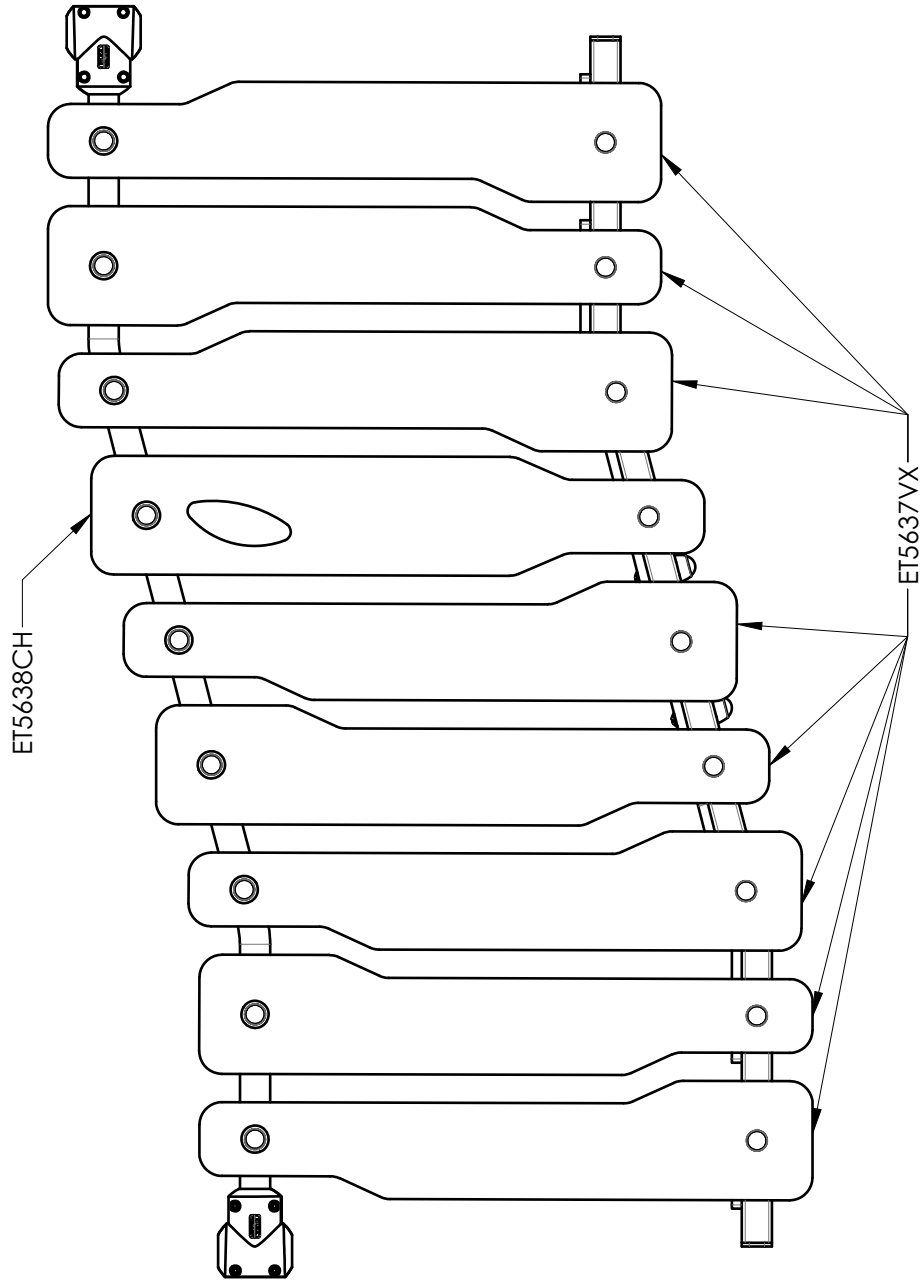
LI5636

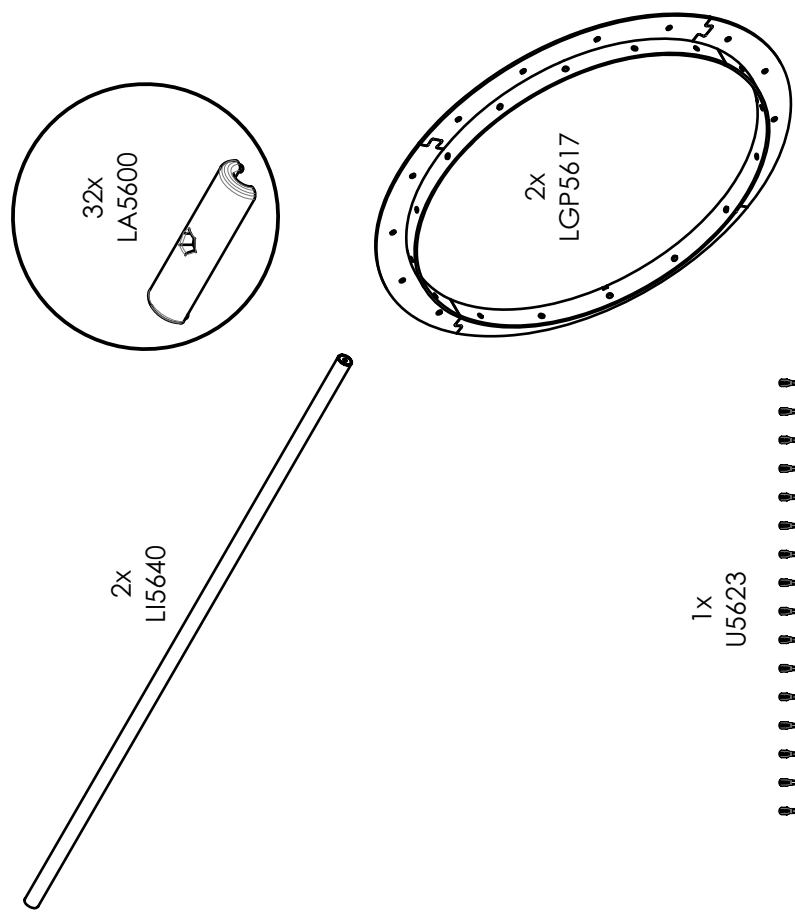
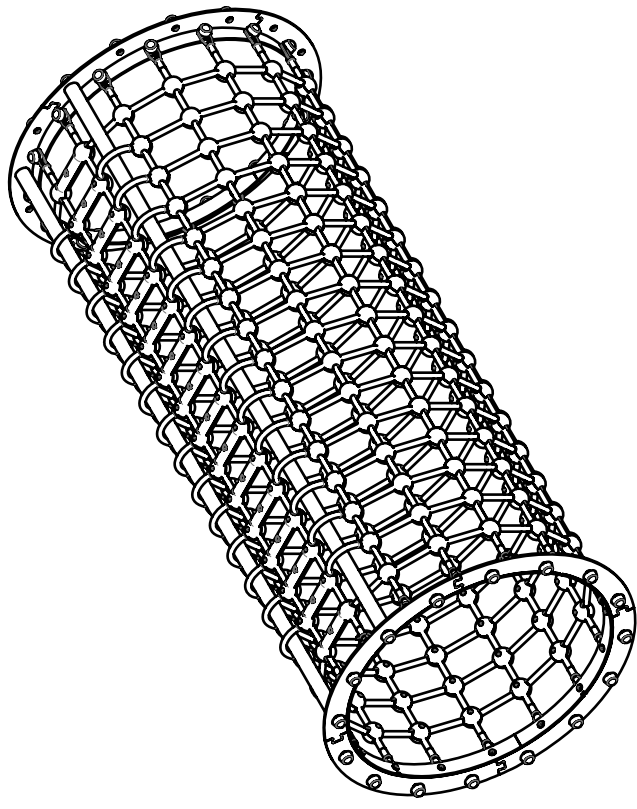
M10440N

VTH10x70

M10310N

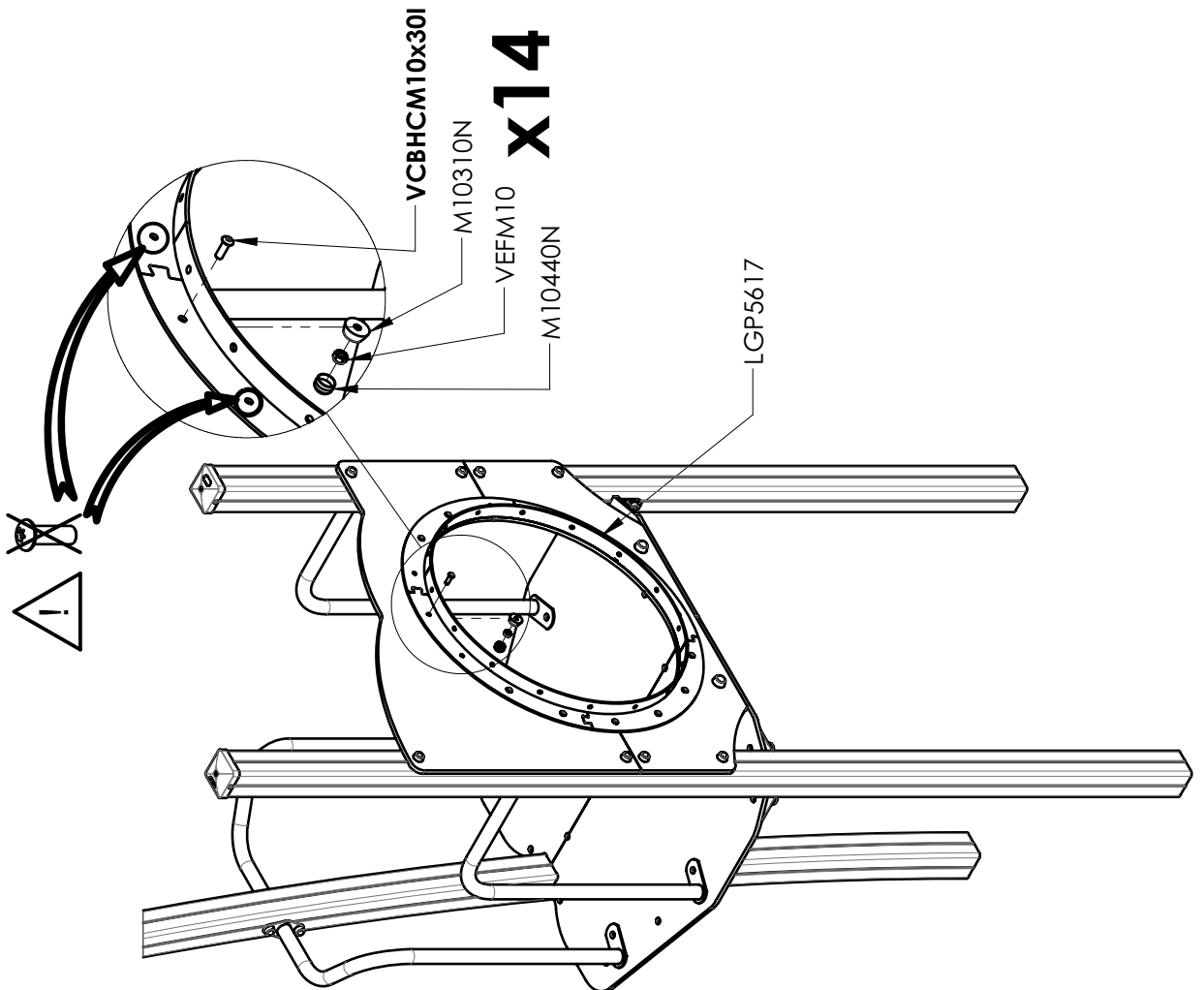
3



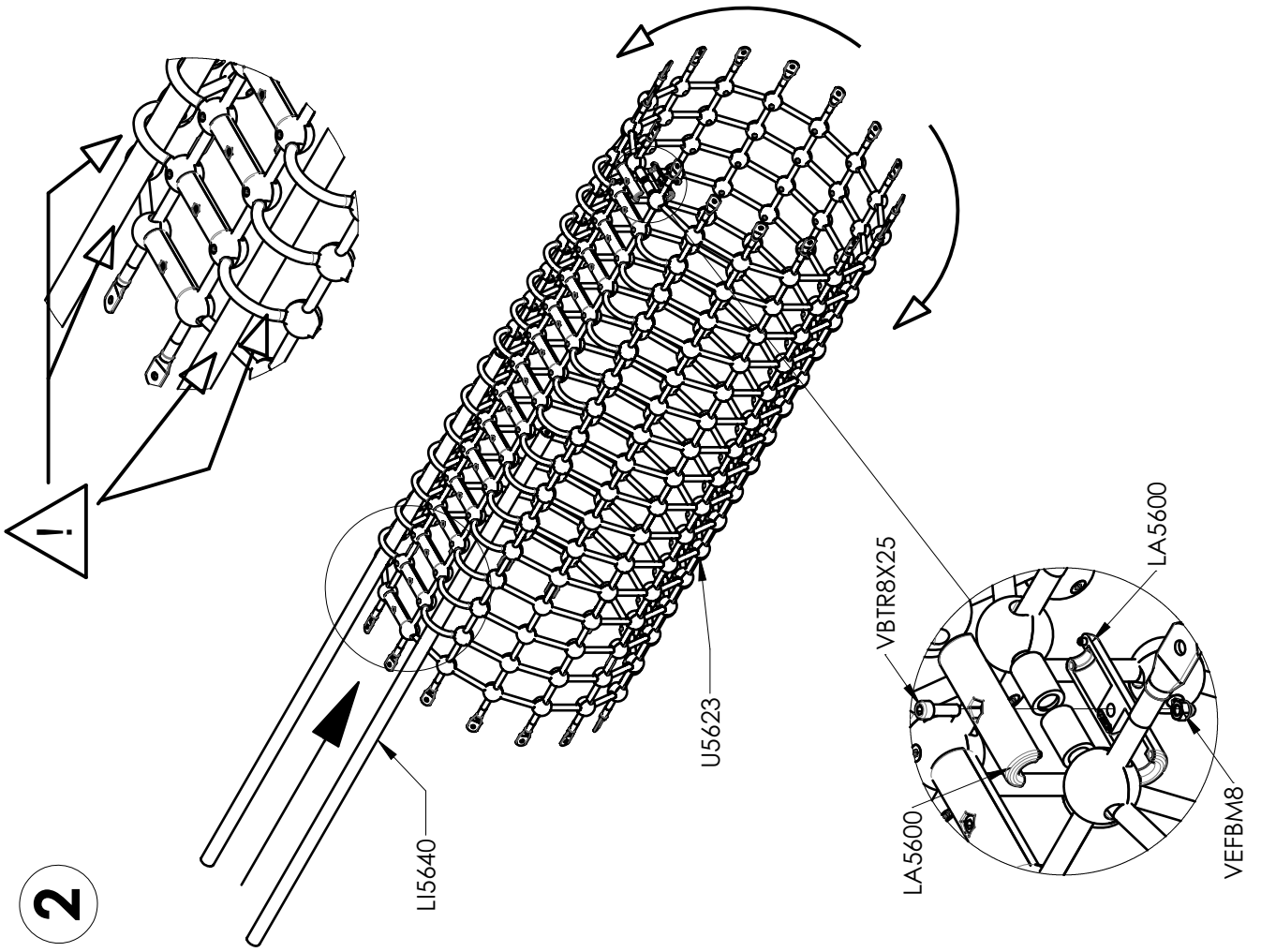


LA5600	32
LGP5617M	2
LI5640	2
M10310N	64
M10440N	64
U5623	1
VBTR8X25	16
VCBHC10x30I	60
VEFBM8	16
VEFM10	60
VTH10x60	4

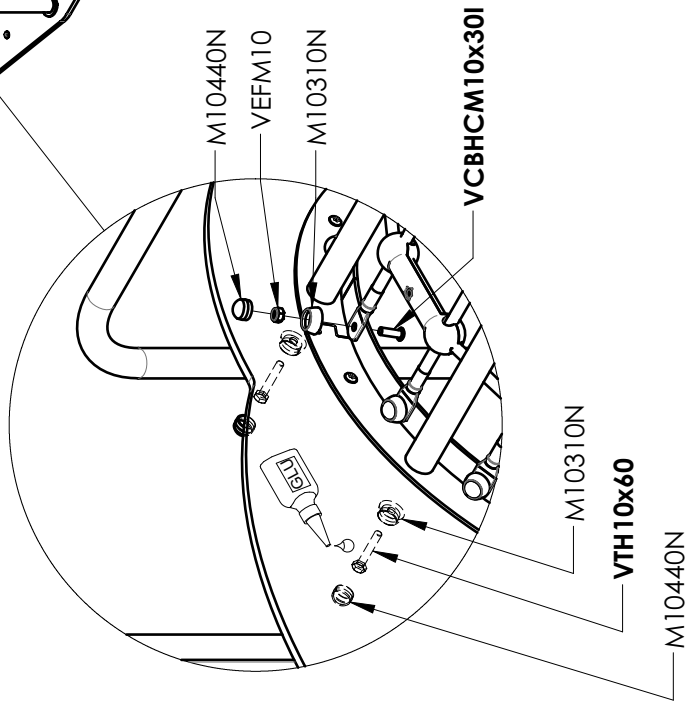
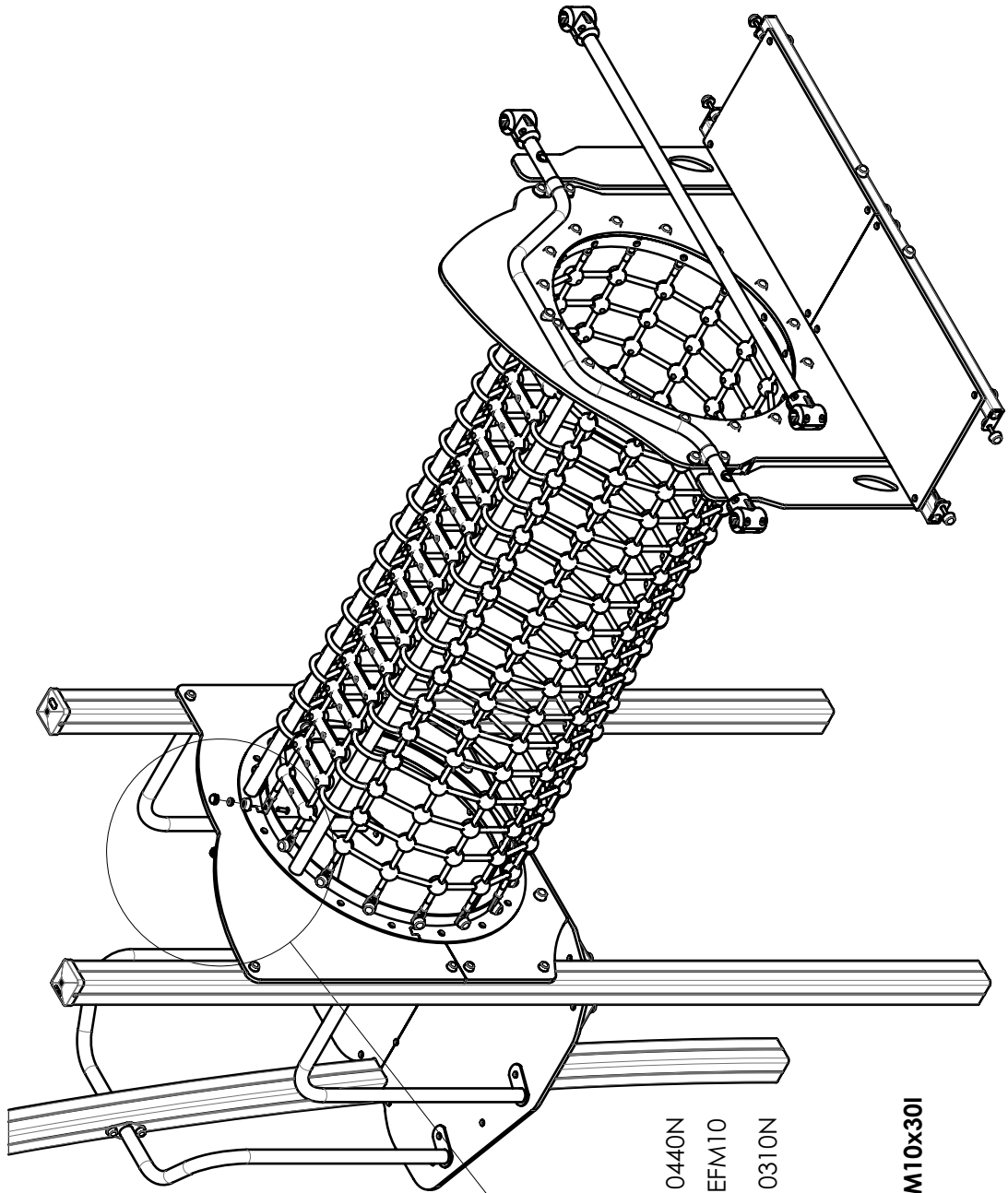
1

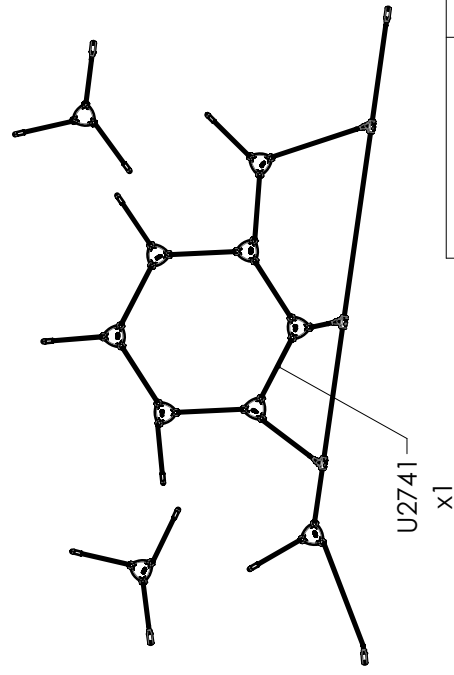
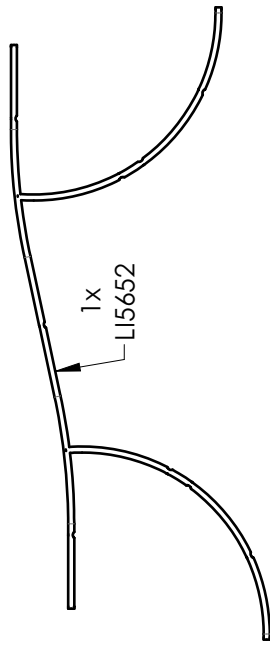
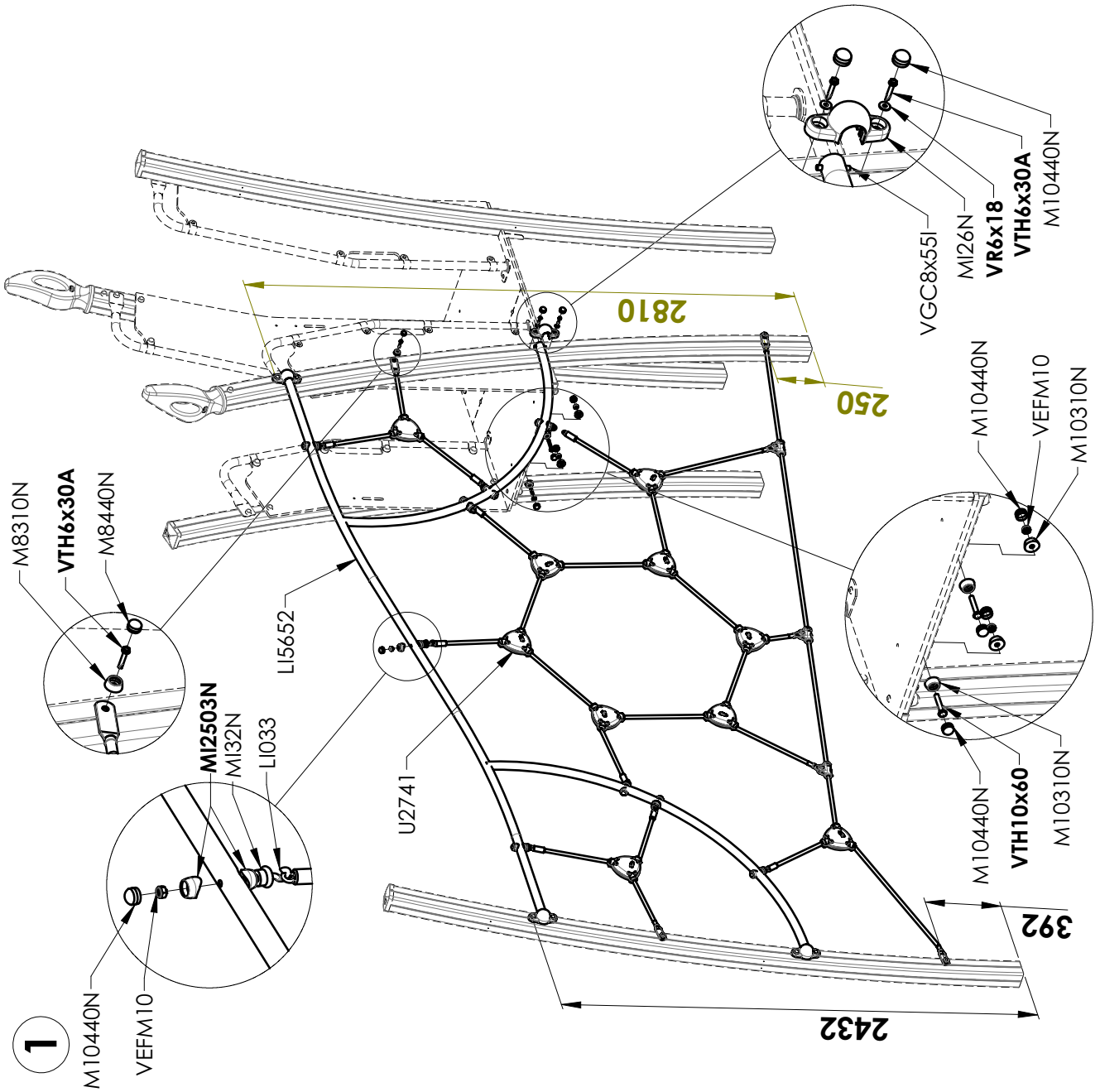


2

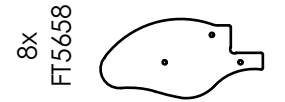
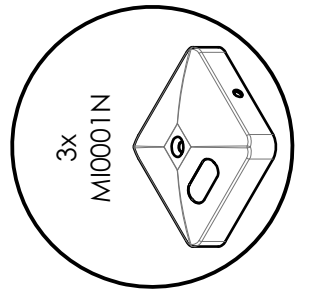
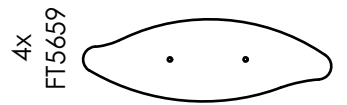
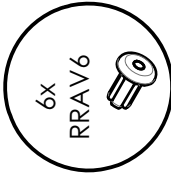
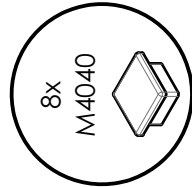
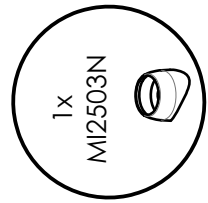
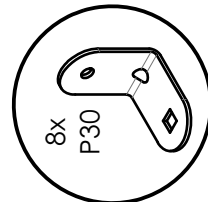
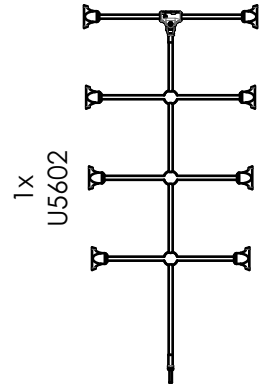
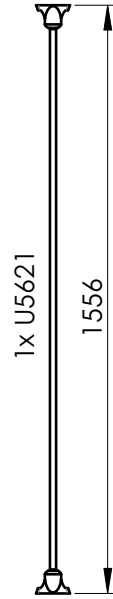
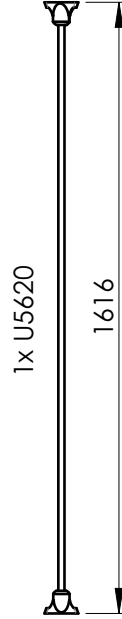
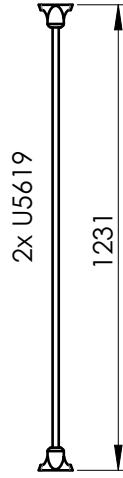
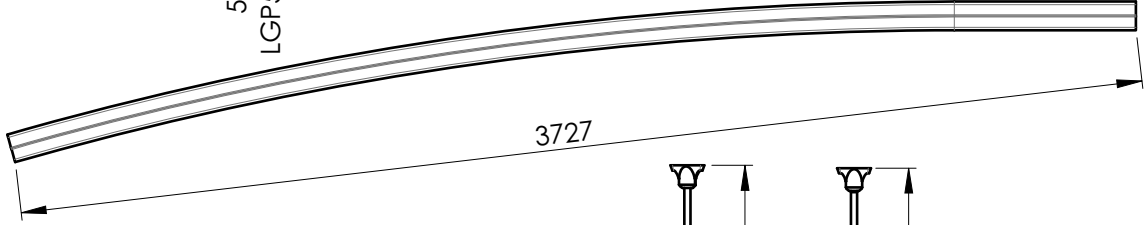
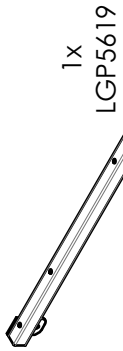
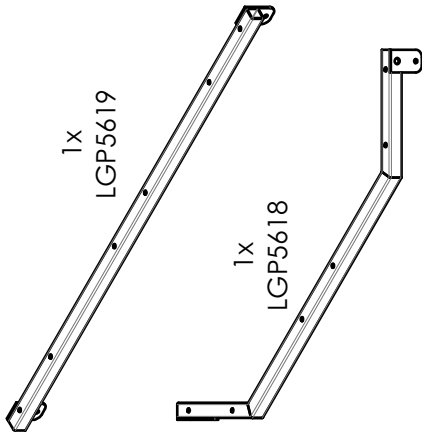
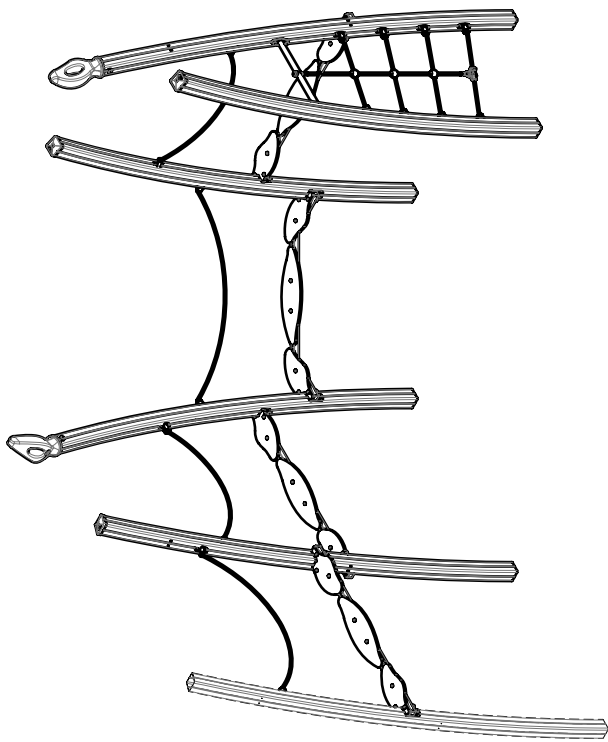


3





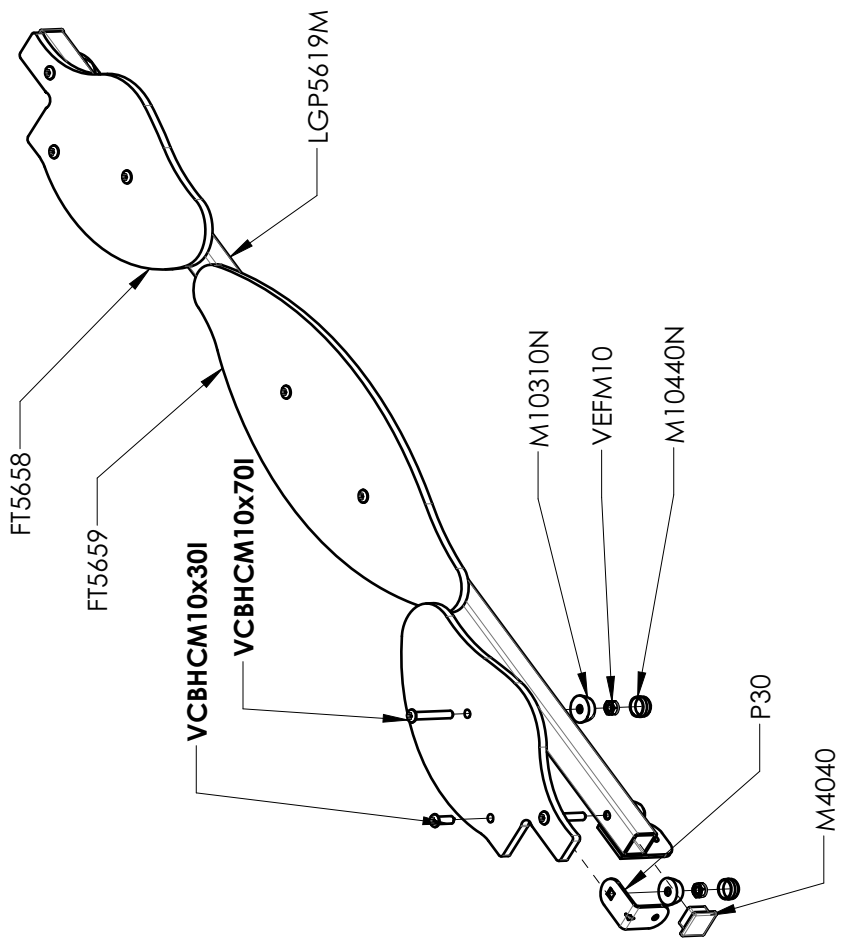
M8310N	4
M8440N	4
M10310N	4
M10440N	21
M126N	4
M12503N	18
U2741	1
VEFM10	11
VGC8x55I	4
VR6x18	8
VTH6x30A	12
VTH10x60	2
LI5652	1
LI033	9
M132N	9



FT5658	8
FT5659	4
LGP5601	5
LGP5618M	1
LGP5619M	3
LI5638	1
M4040	8
M5600	2
M8310N	24
M8440N	24
M10310N	32
M10440N	33
MI0001N	3
MI2503N	1
P30	8
RRAV6	6
U5602	1
U5619	2
U5620	1
U5621	1
VCBHC10x30I	8
VCBHC10x70I	24
VEFM10	33
VTH6x30A	56

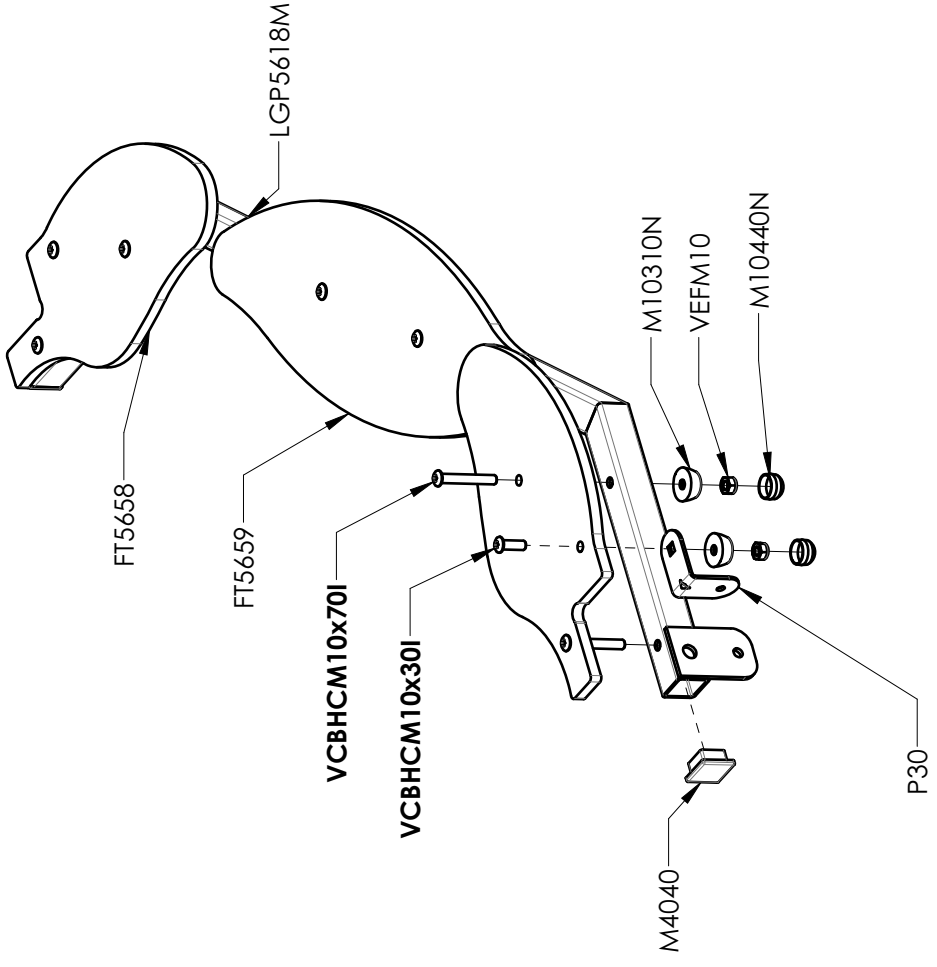
1

x3

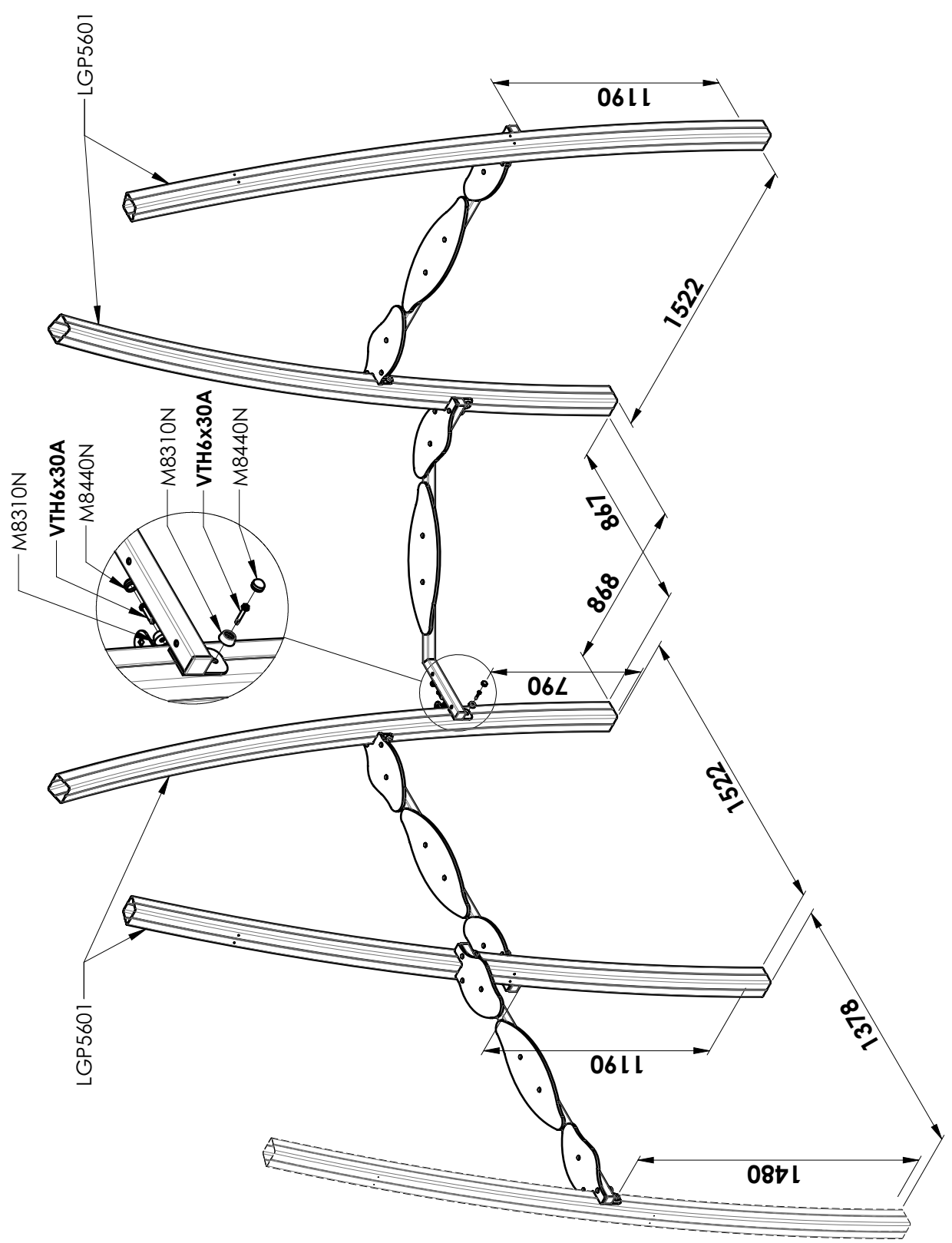


2

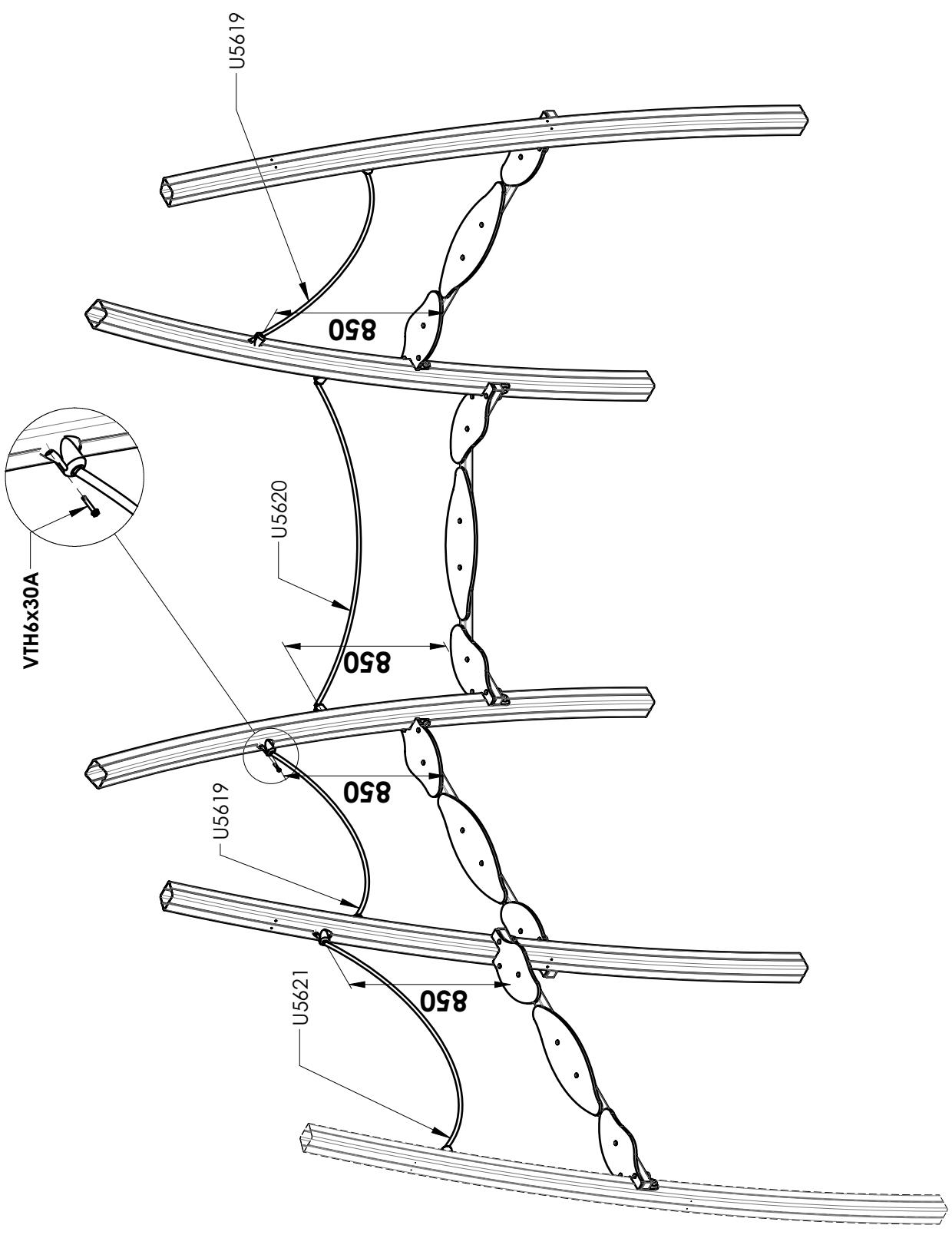
x1



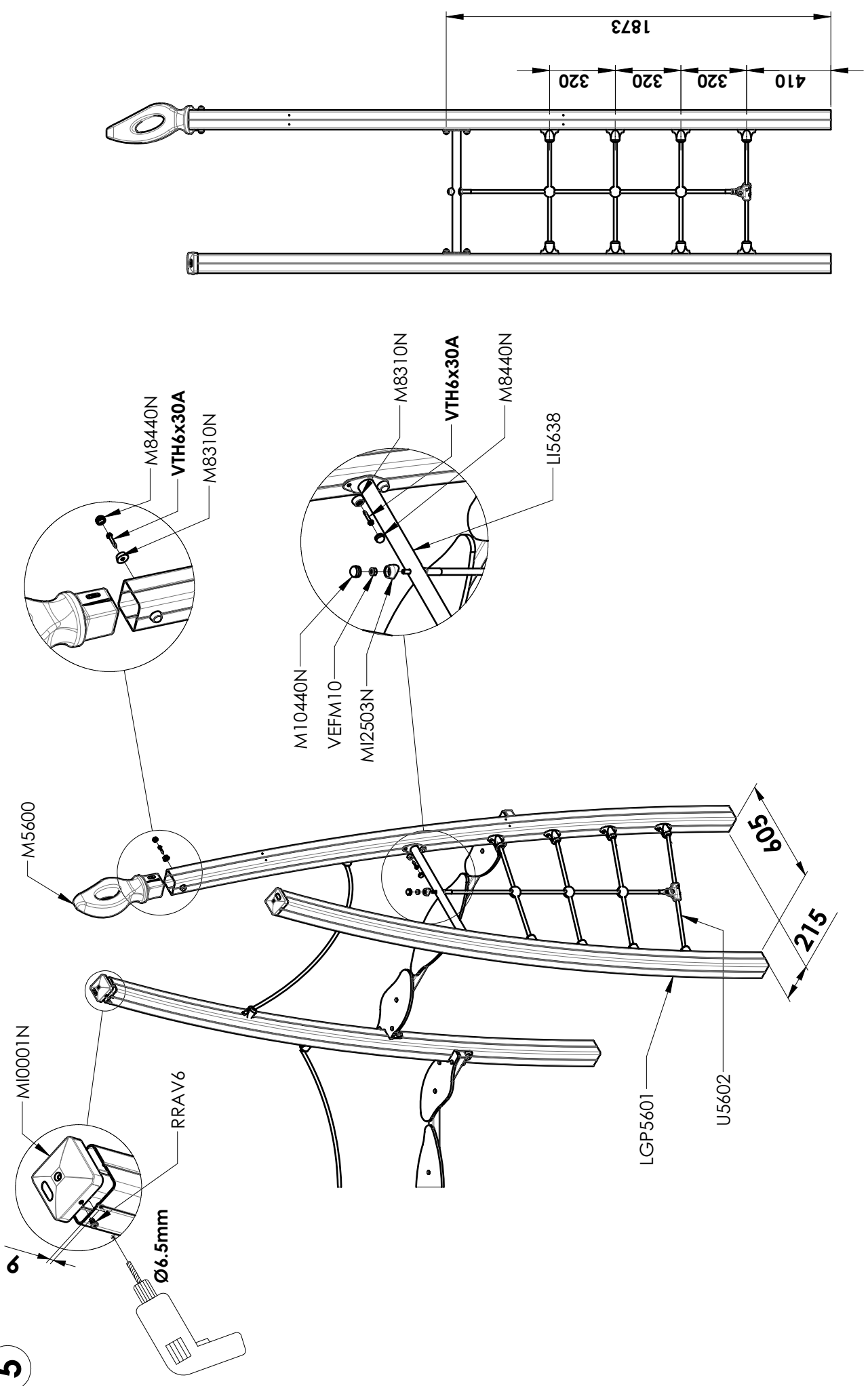
3

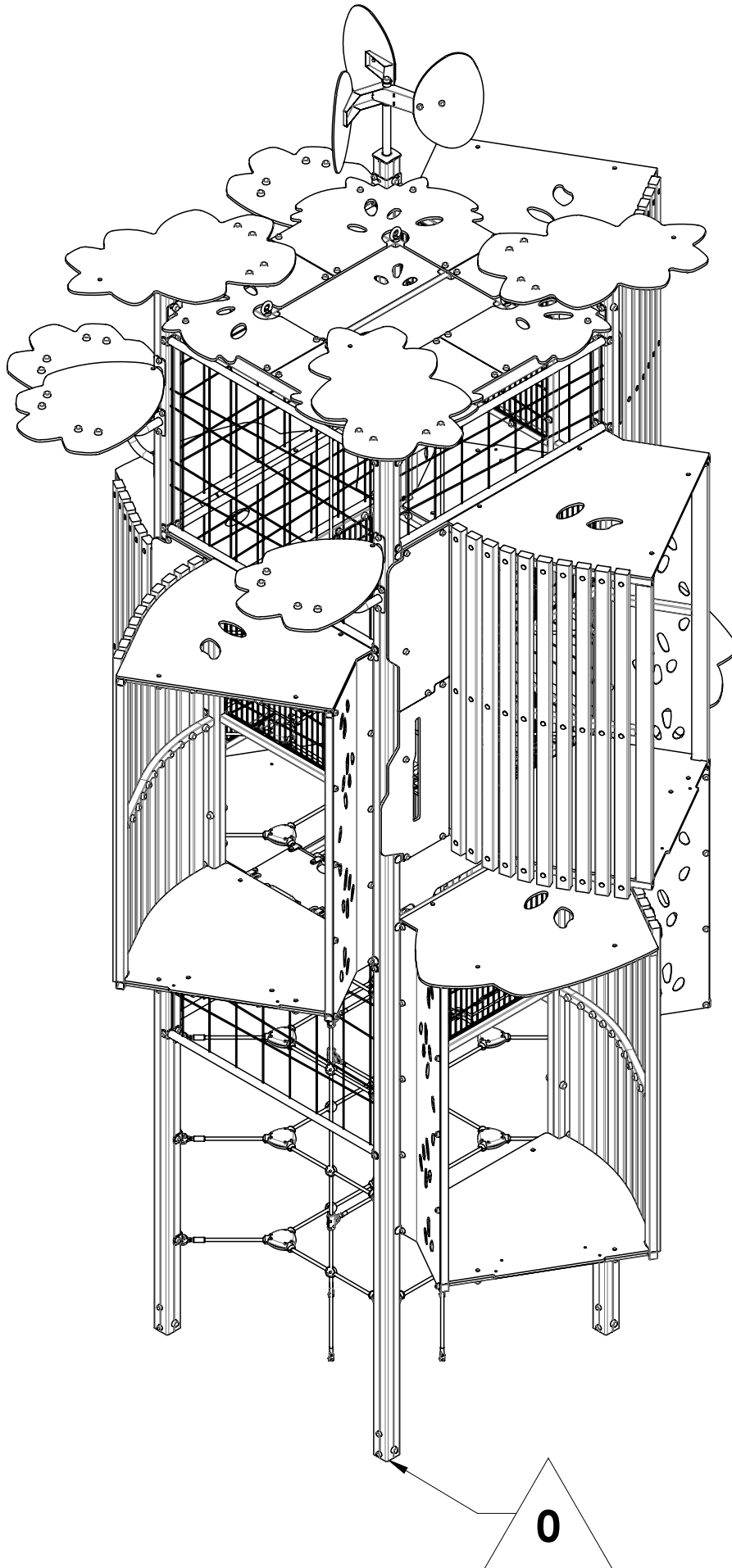


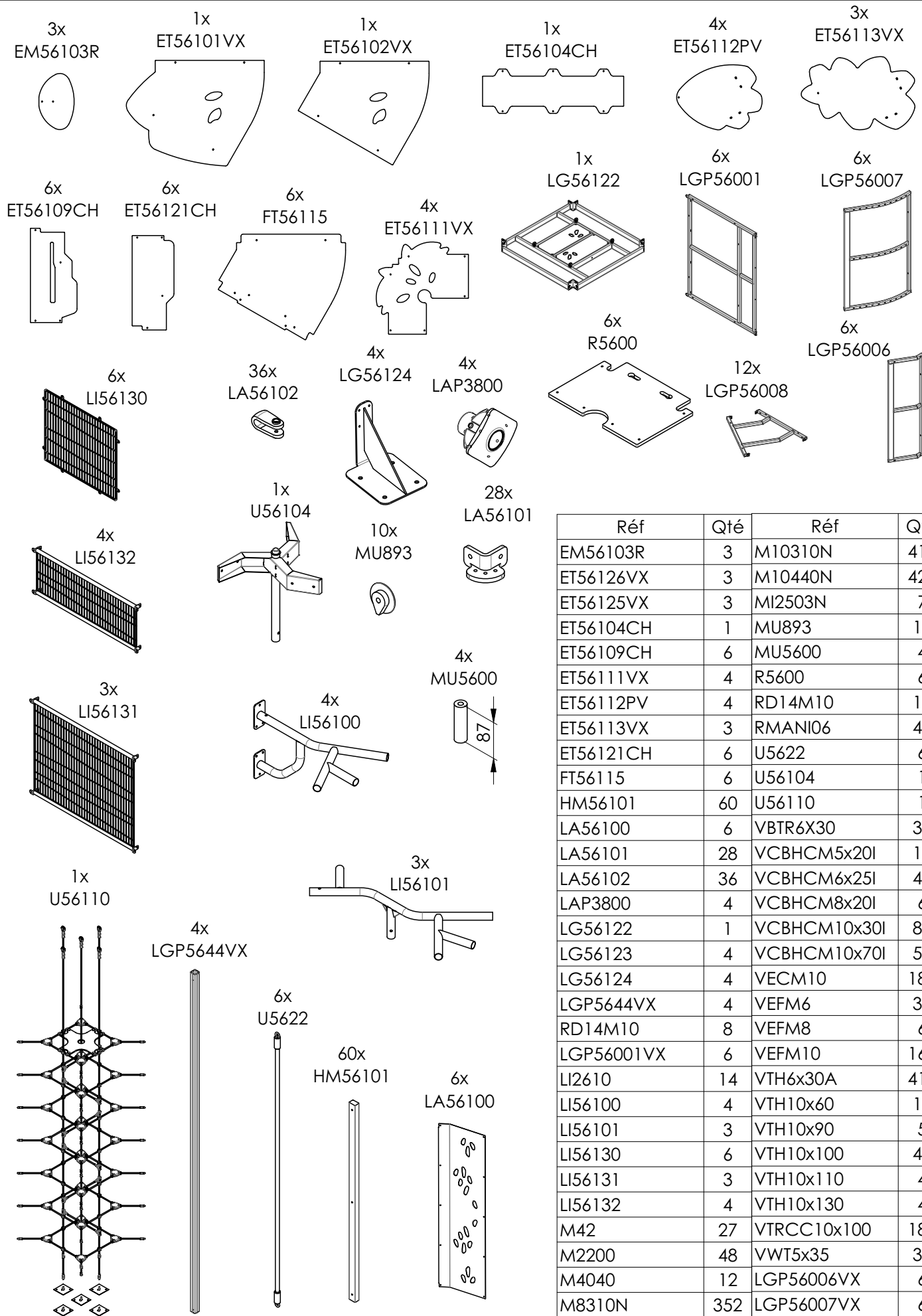
4



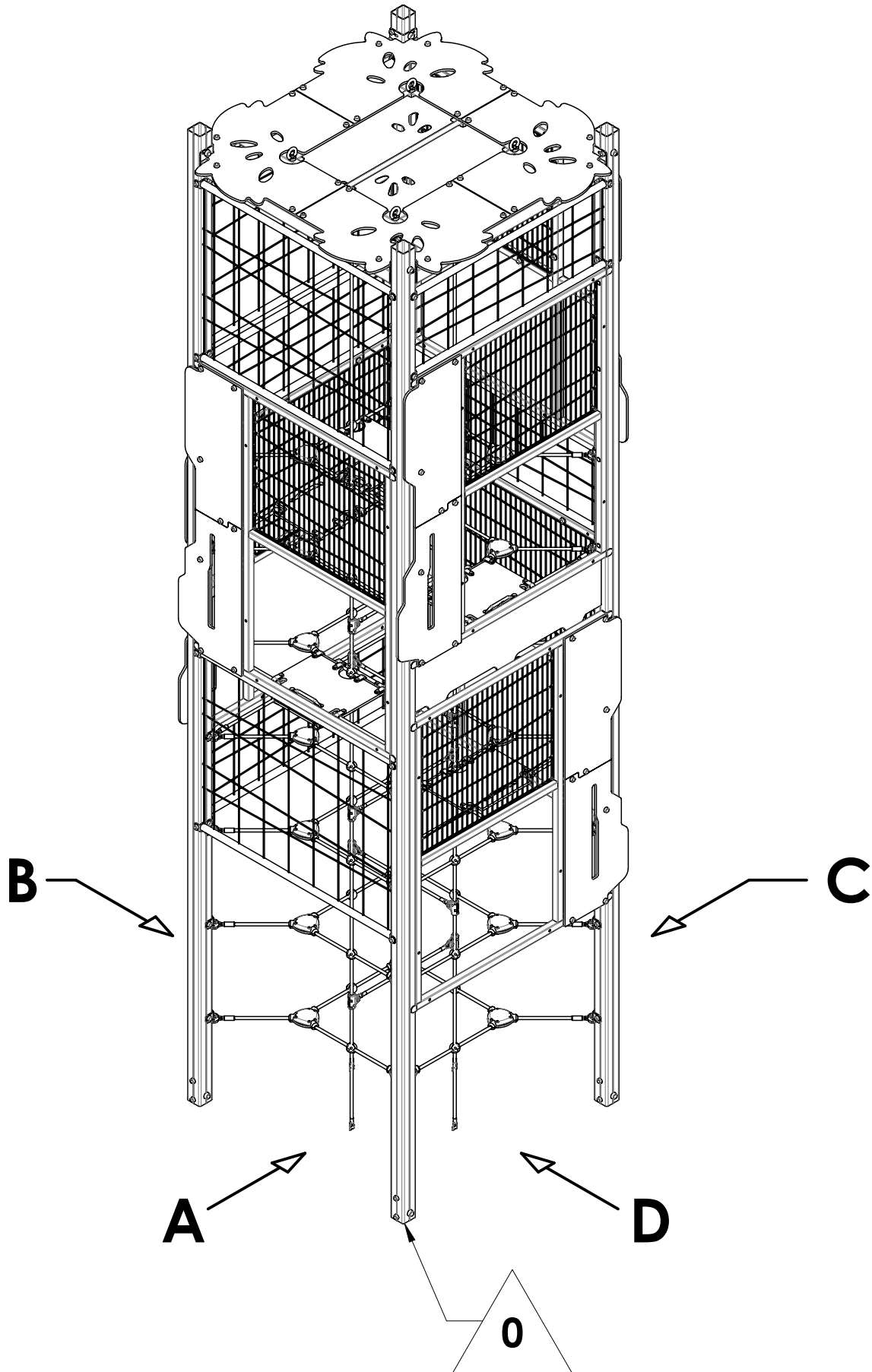
5

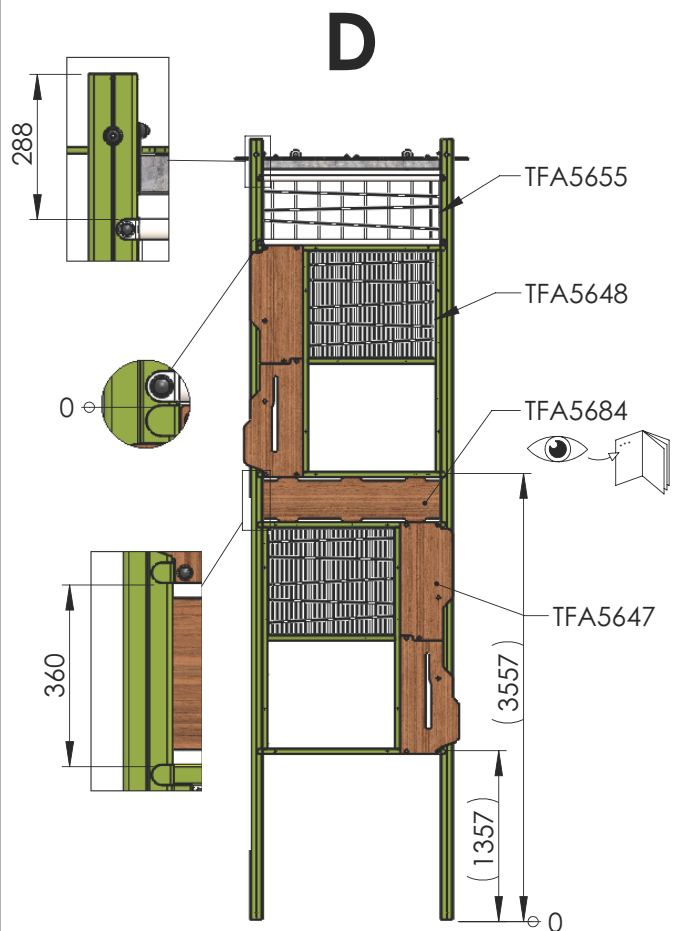
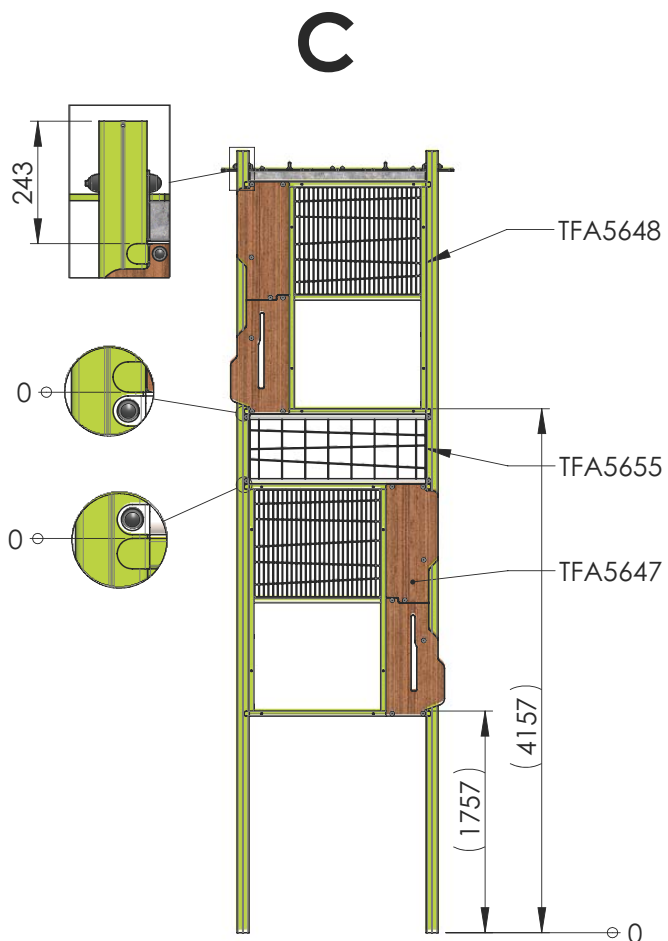
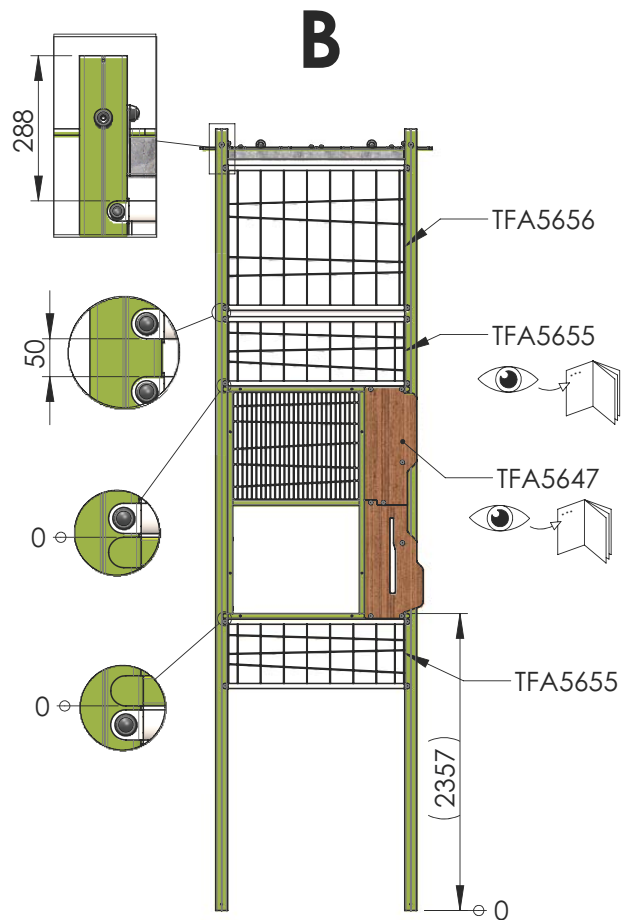
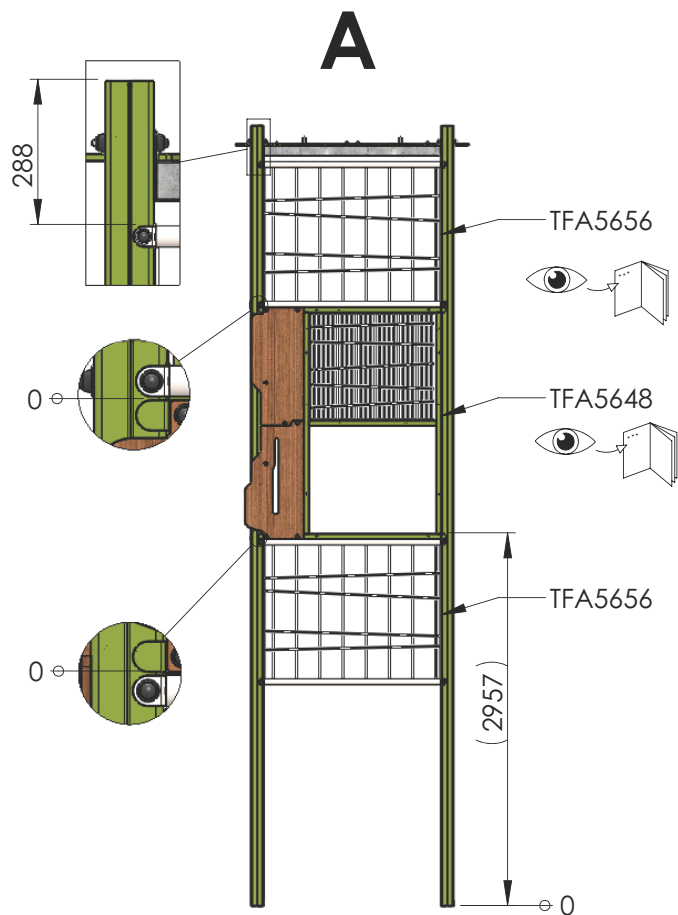




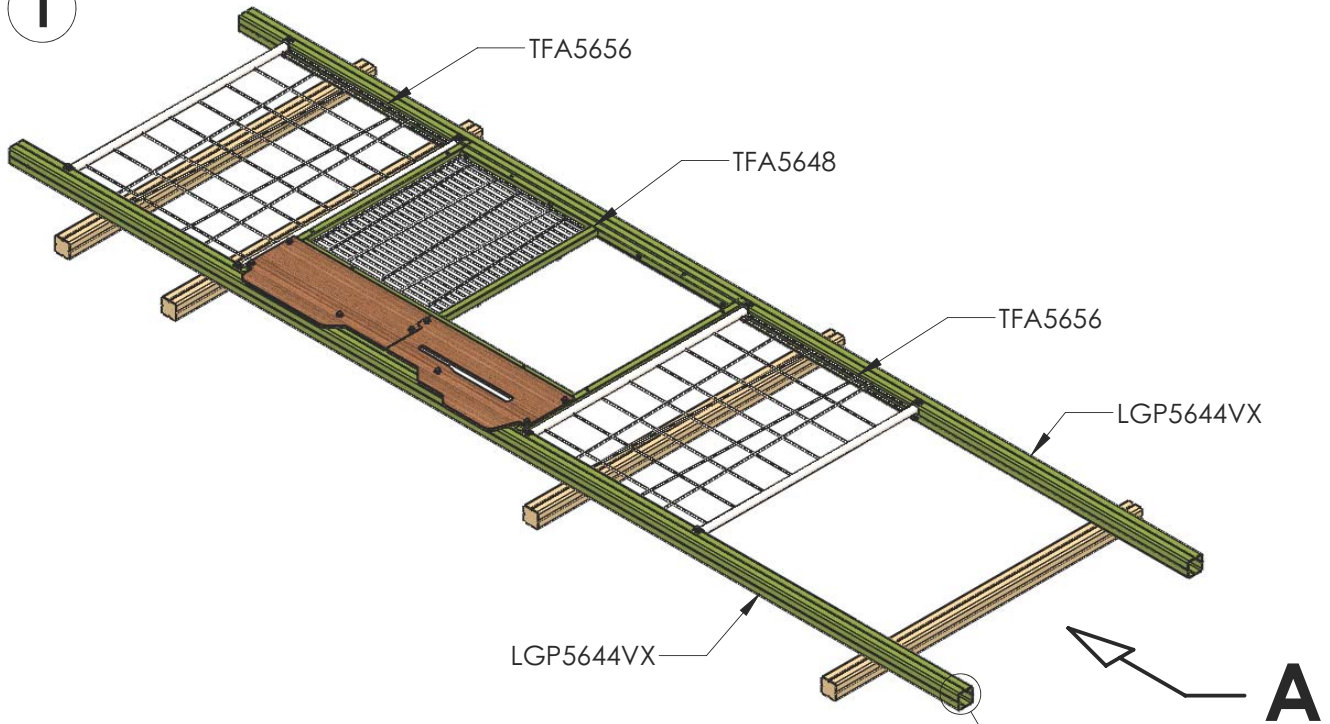


Réf	Qté	Réf	Qté
EM56103R	3	M10310N	416
ET56126VX	3	M10440N	423
ET56125VX	3	MI2503N	7
ET56104CH	1	MU893	10
ET56109CH	6	MU5600	4
ET56111VX	4	R5600	6
ET56112PV	4	RD14M10	16
ET56113VX	3	RMANIO6	40
ET56121CH	6	U5622	6
FT56115	6	U56104	1
HM56101	60	U56110	1
LA56100	6	VBTR6X30	36
LA56101	28	VCBHCM5x20I	16
LA56102	36	VCBHCM6x25I	40
LAP3800	4	VCBHCM8x20I	6
LG56122	1	VCBHCM10x30I	82
LG56123	4	VCBHCM10x70I	55
LG56124	4	VECM10	180
LGP5644VX	4	VEFM6	36
RD14M10	8	VEFM8	6
LGP56001VX	6	VEFM10	166
LI2610	14	VTH6x30A	410
LI56100	4	VTH10x60	16
LI56101	3	VTH10x90	5
LI56130	6	VTH10x100	48
LI56131	3	VTH10x110	4
LI56132	4	VTH10x130	4
M42	27	VTRCC10x100	180
M2200	48	VWT5x35	36
M4040	12	LGP56006VX	6
M8310N	352	LGP56007VX	6
M8440N	352	LGP56008VX	12

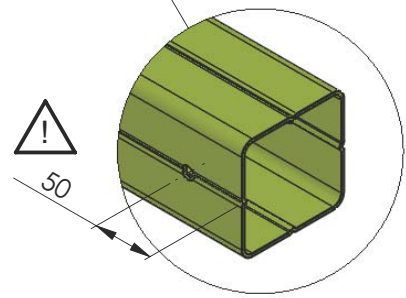
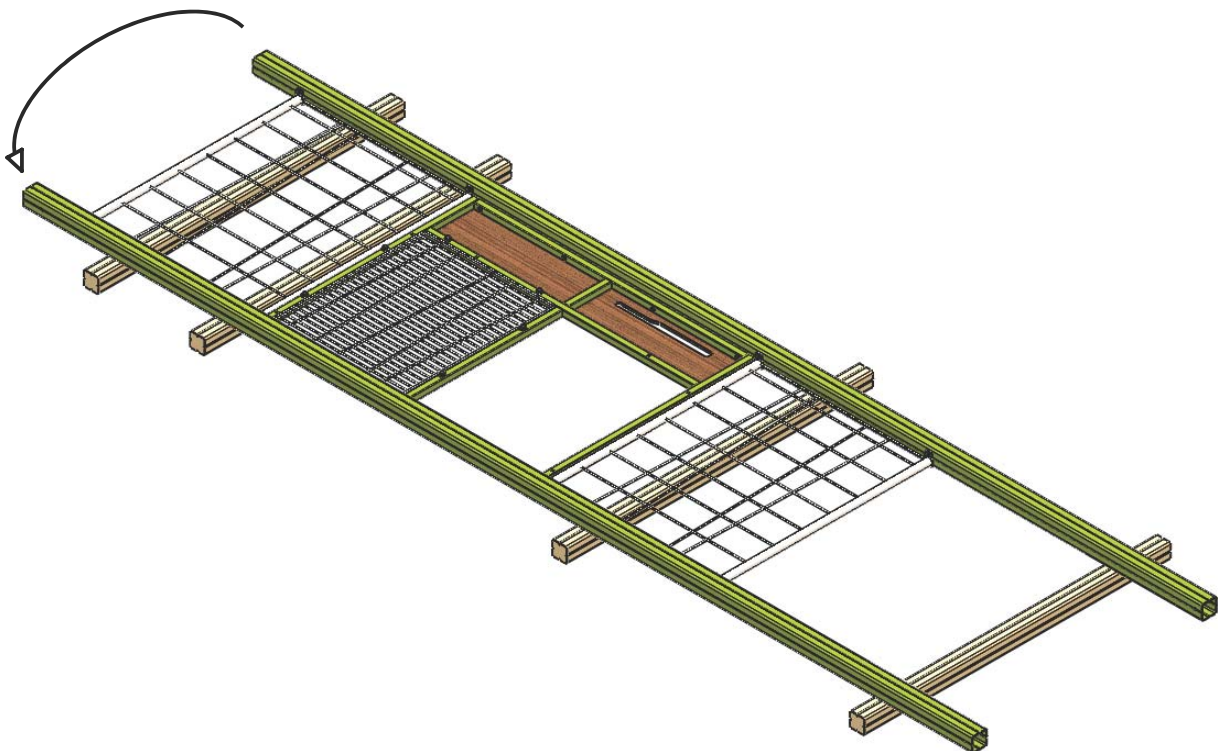




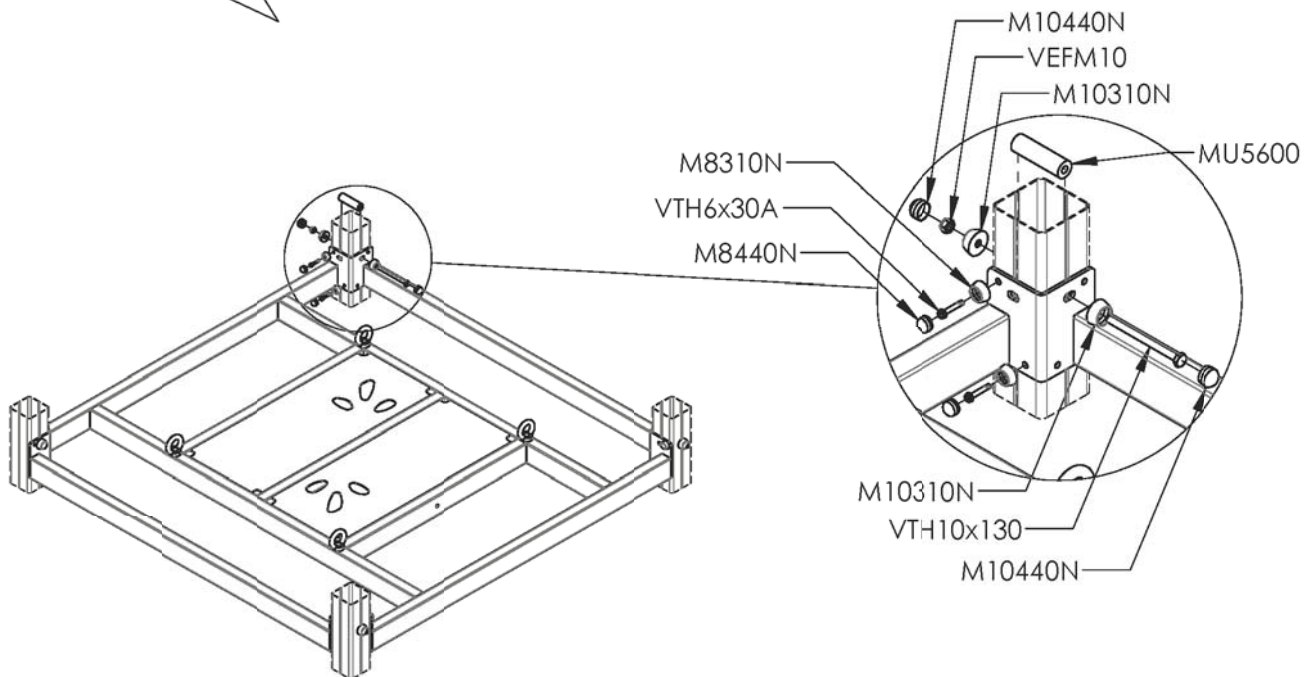
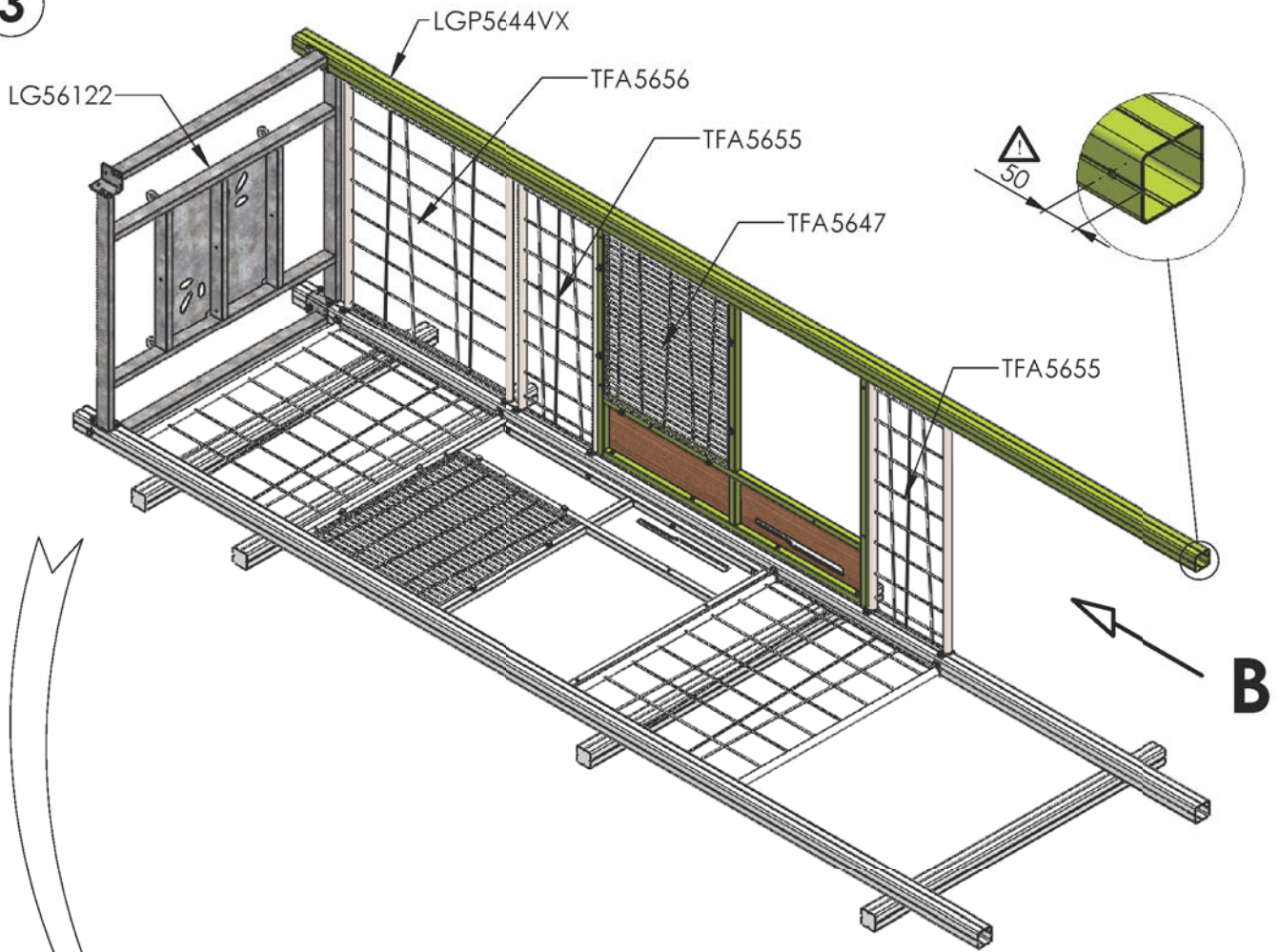
1



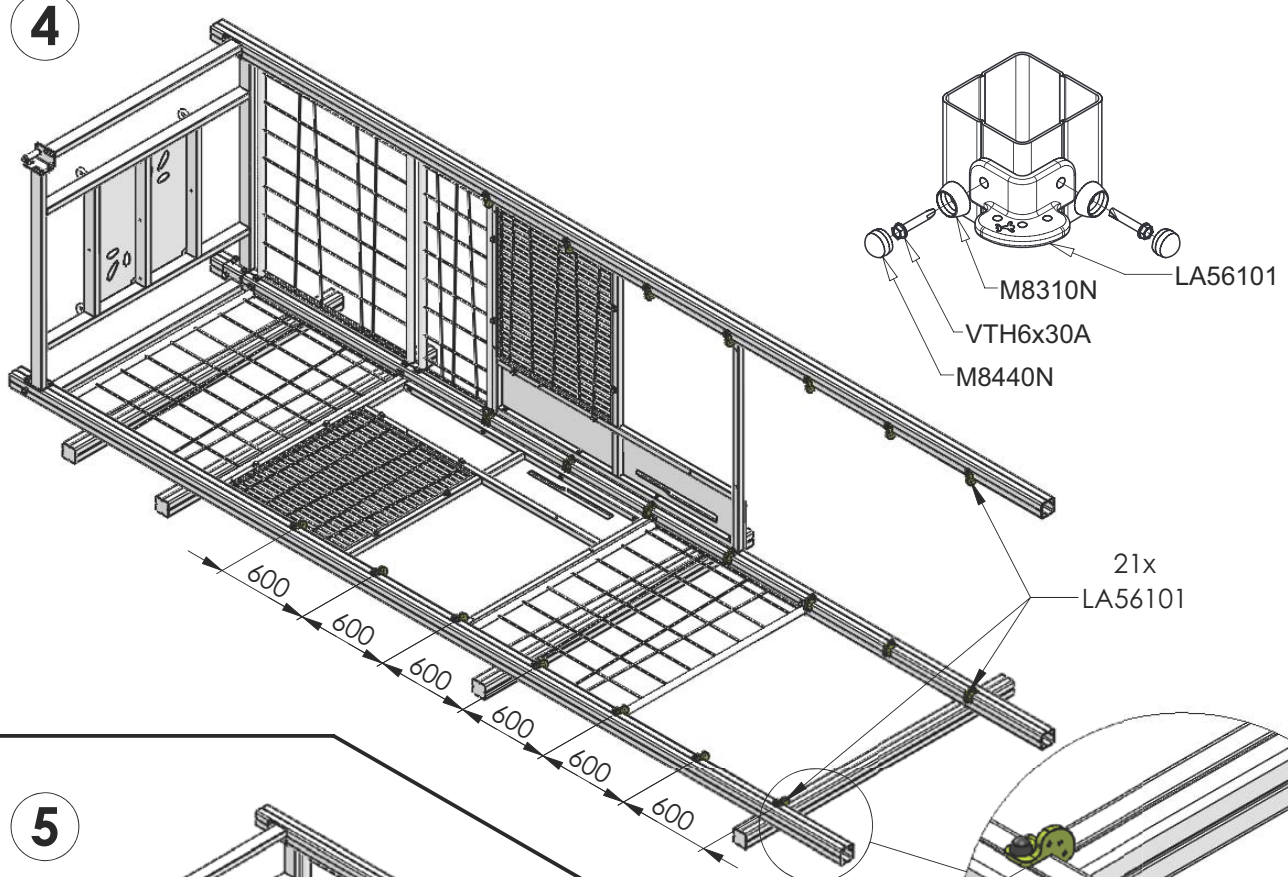
2



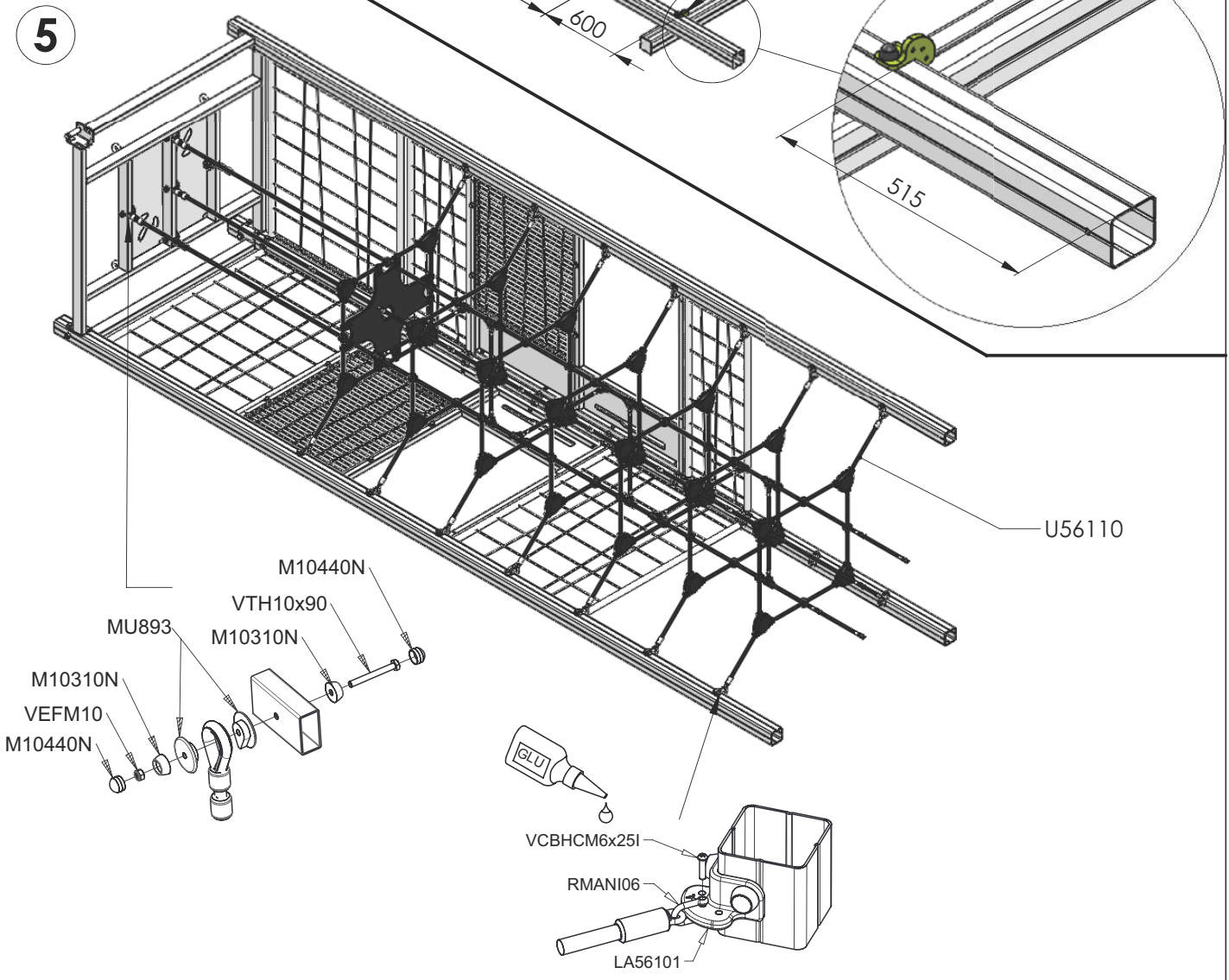
3



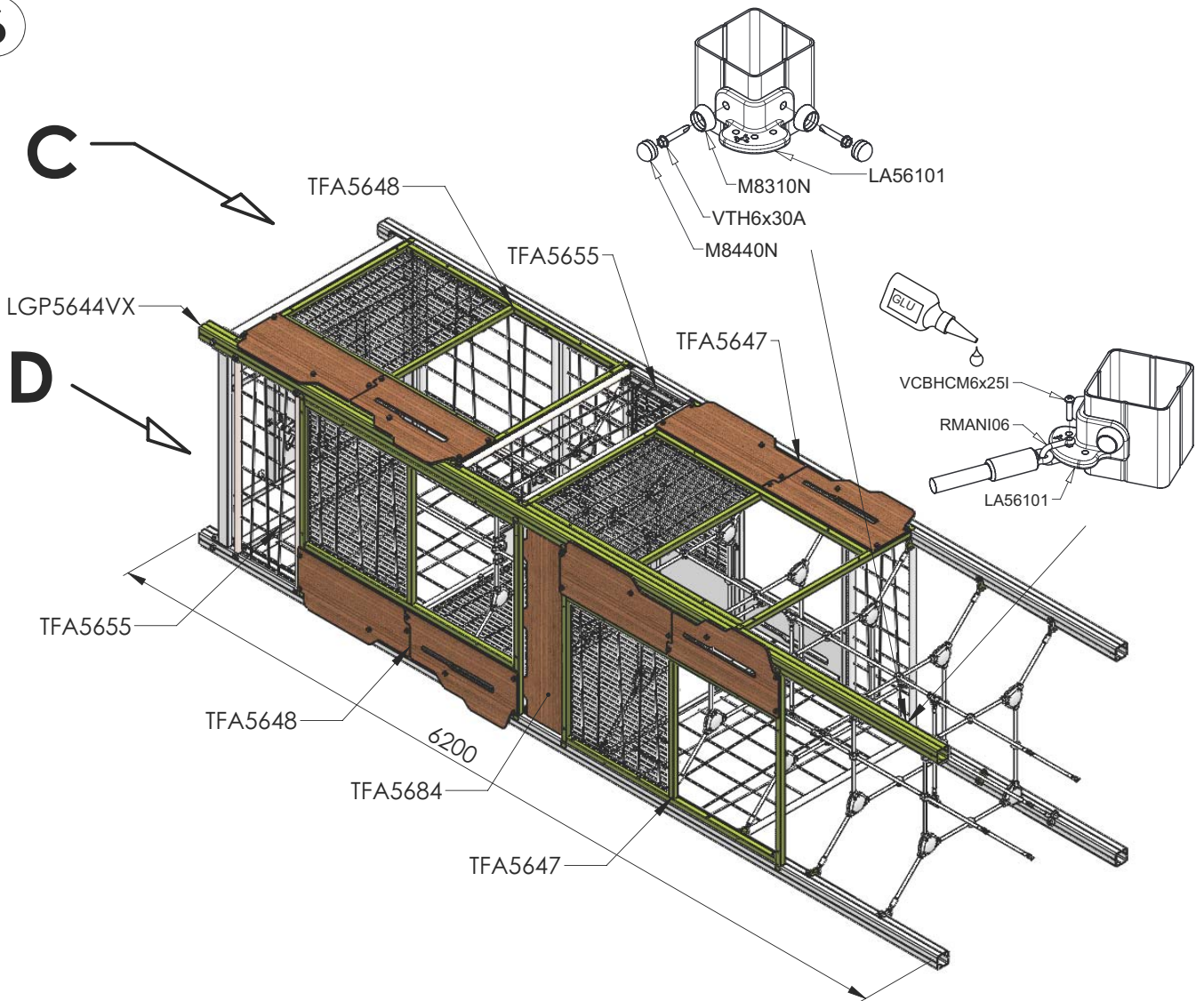
4



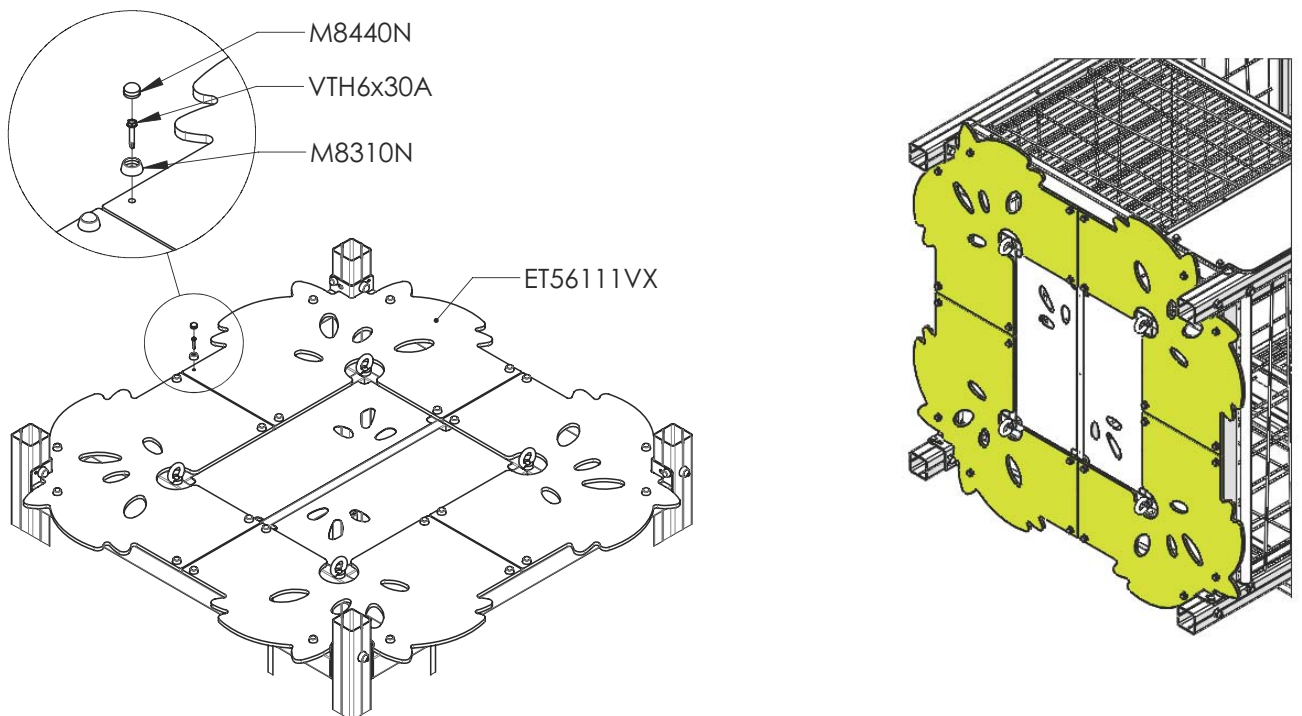
5

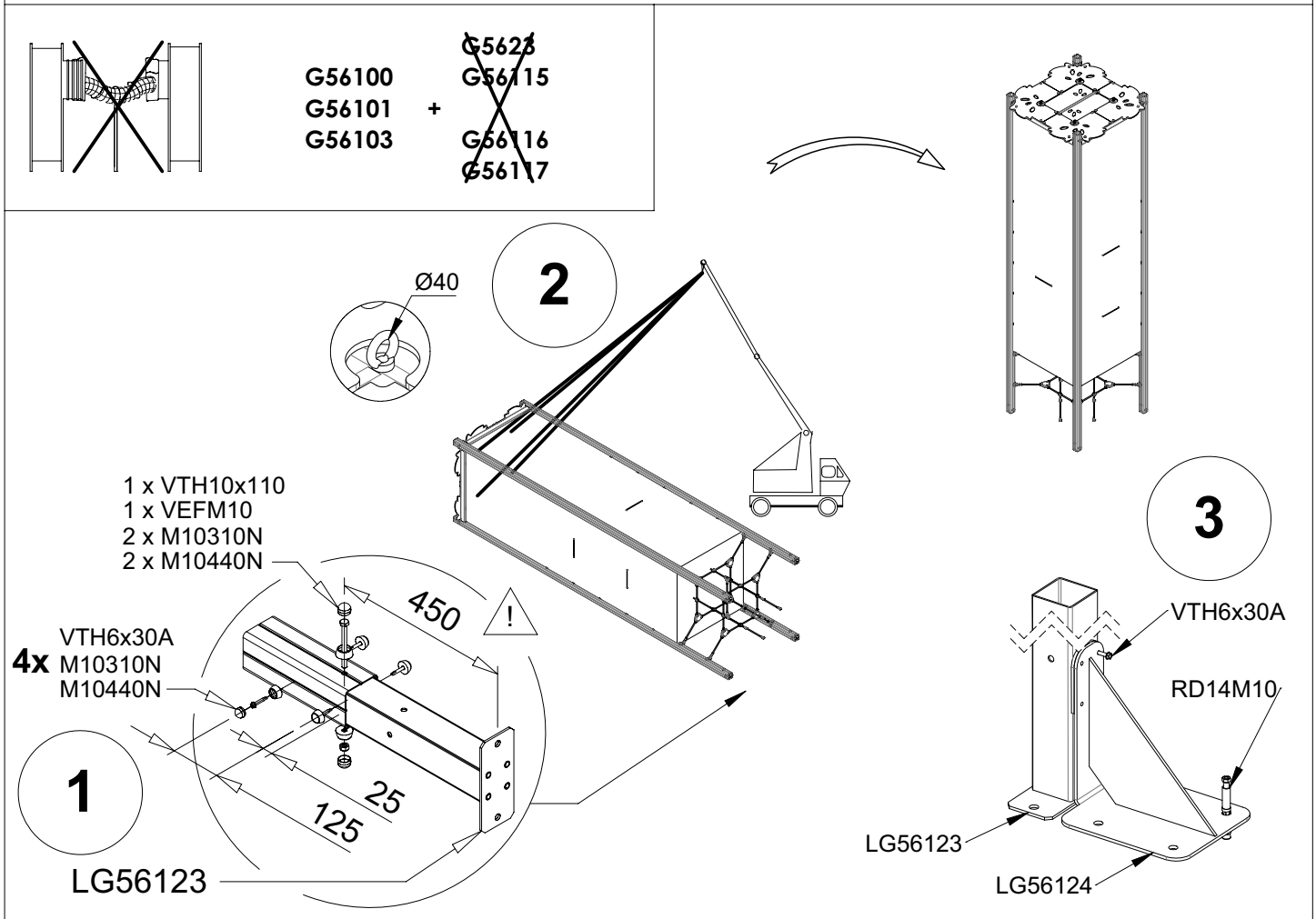
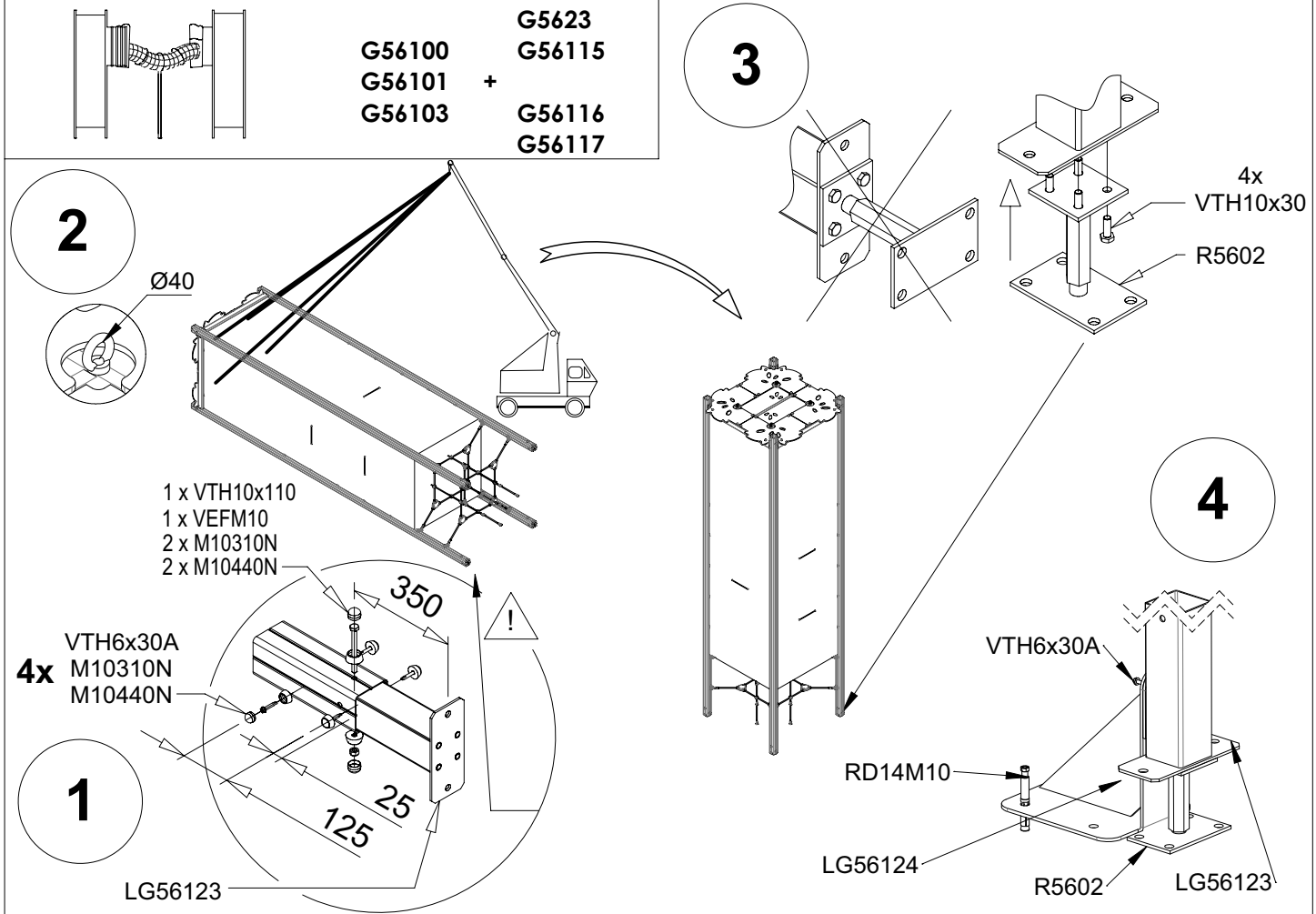


6

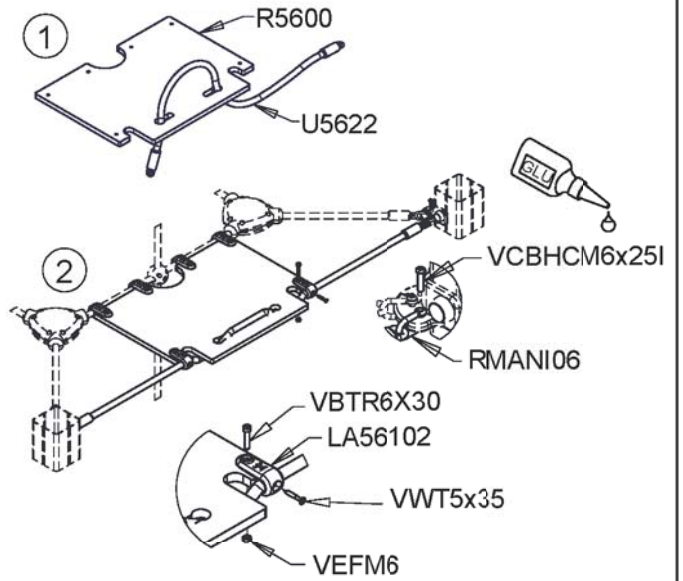
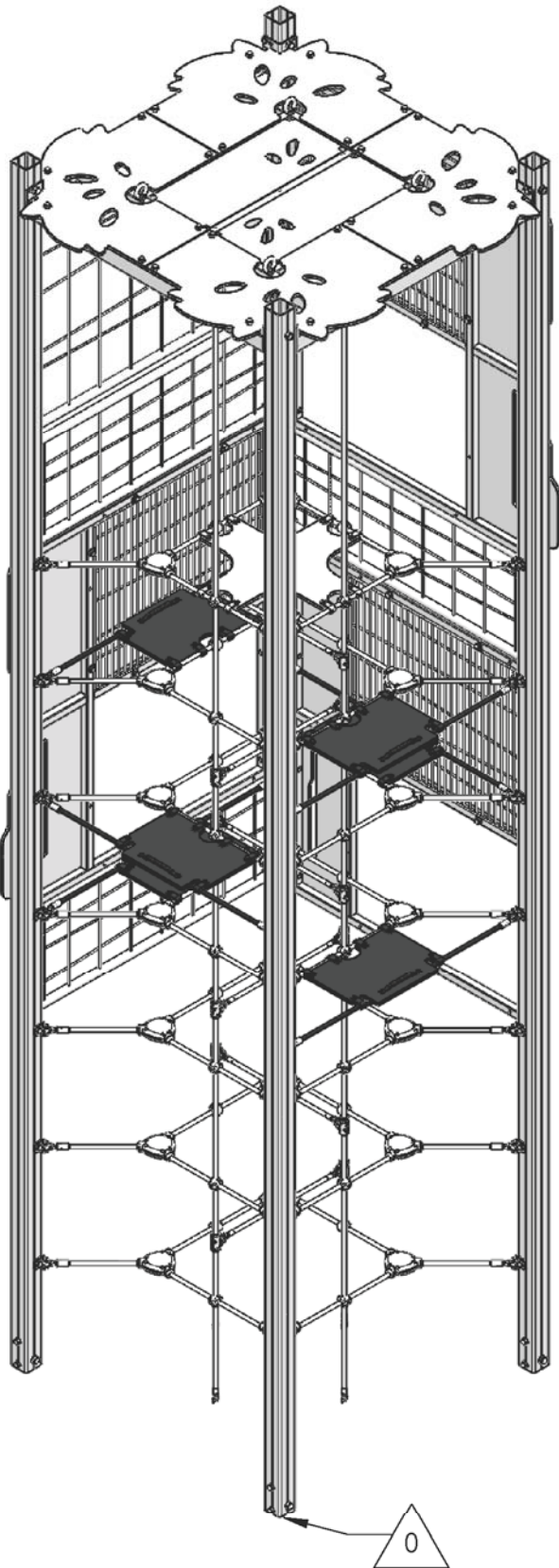


7





9



— 7 => G

— 6 => F

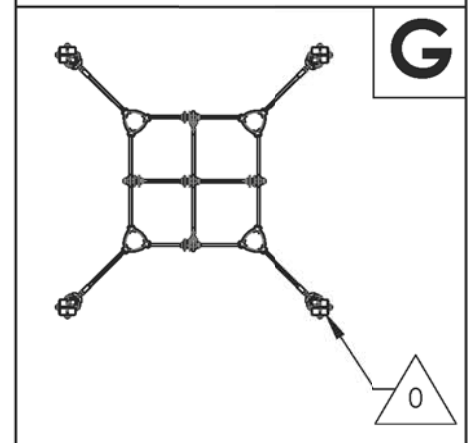
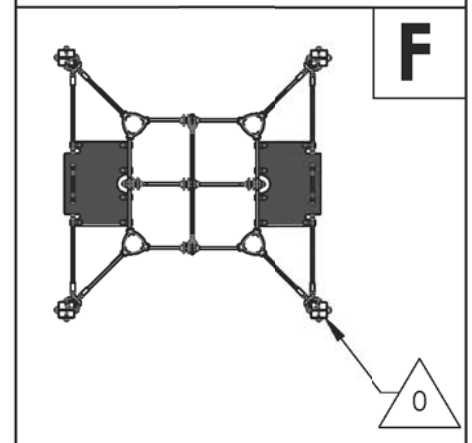
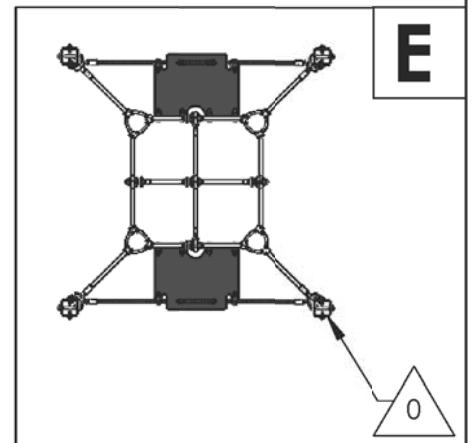
— 5 => E

— 4 => F

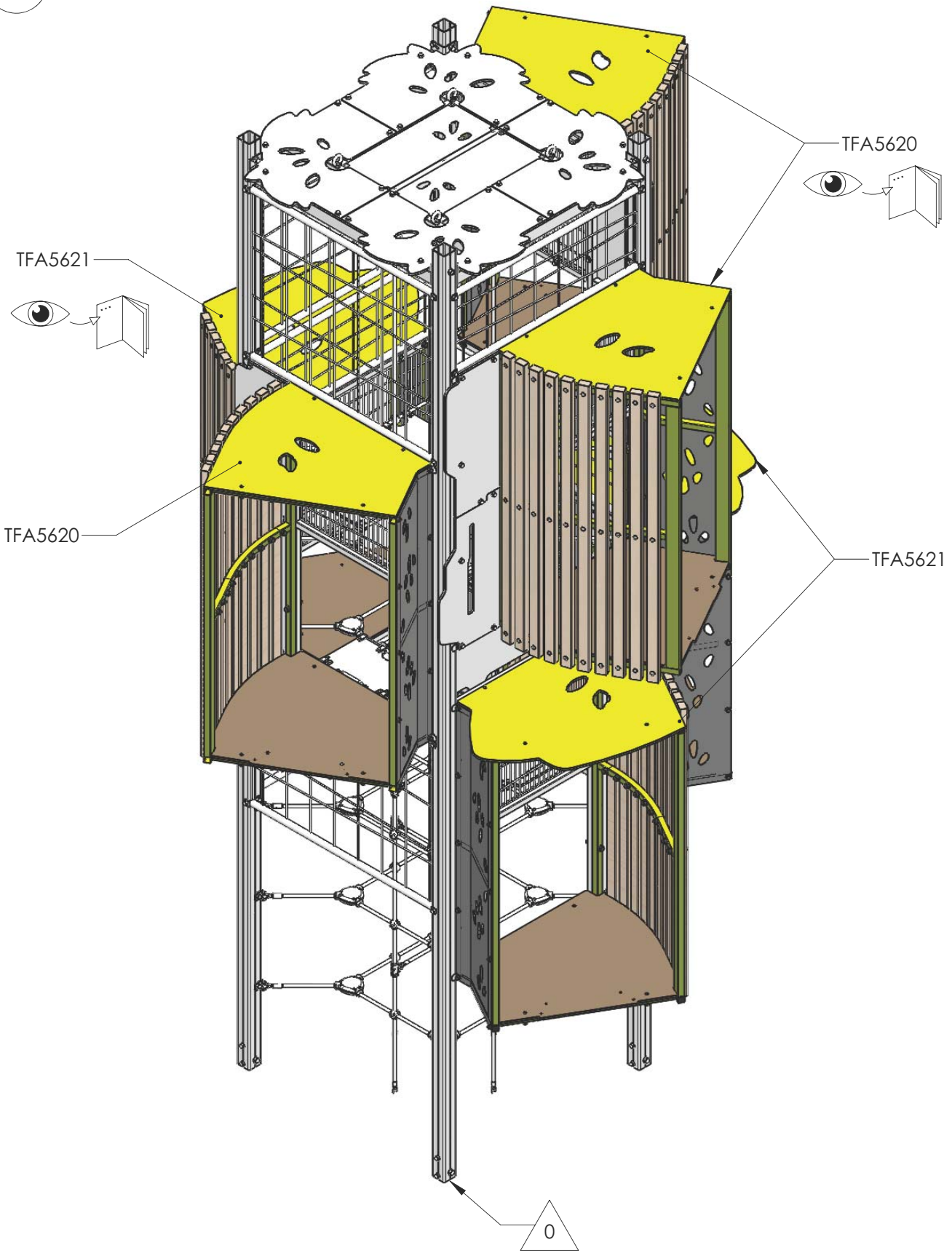
— 3 => G

— 2 => G

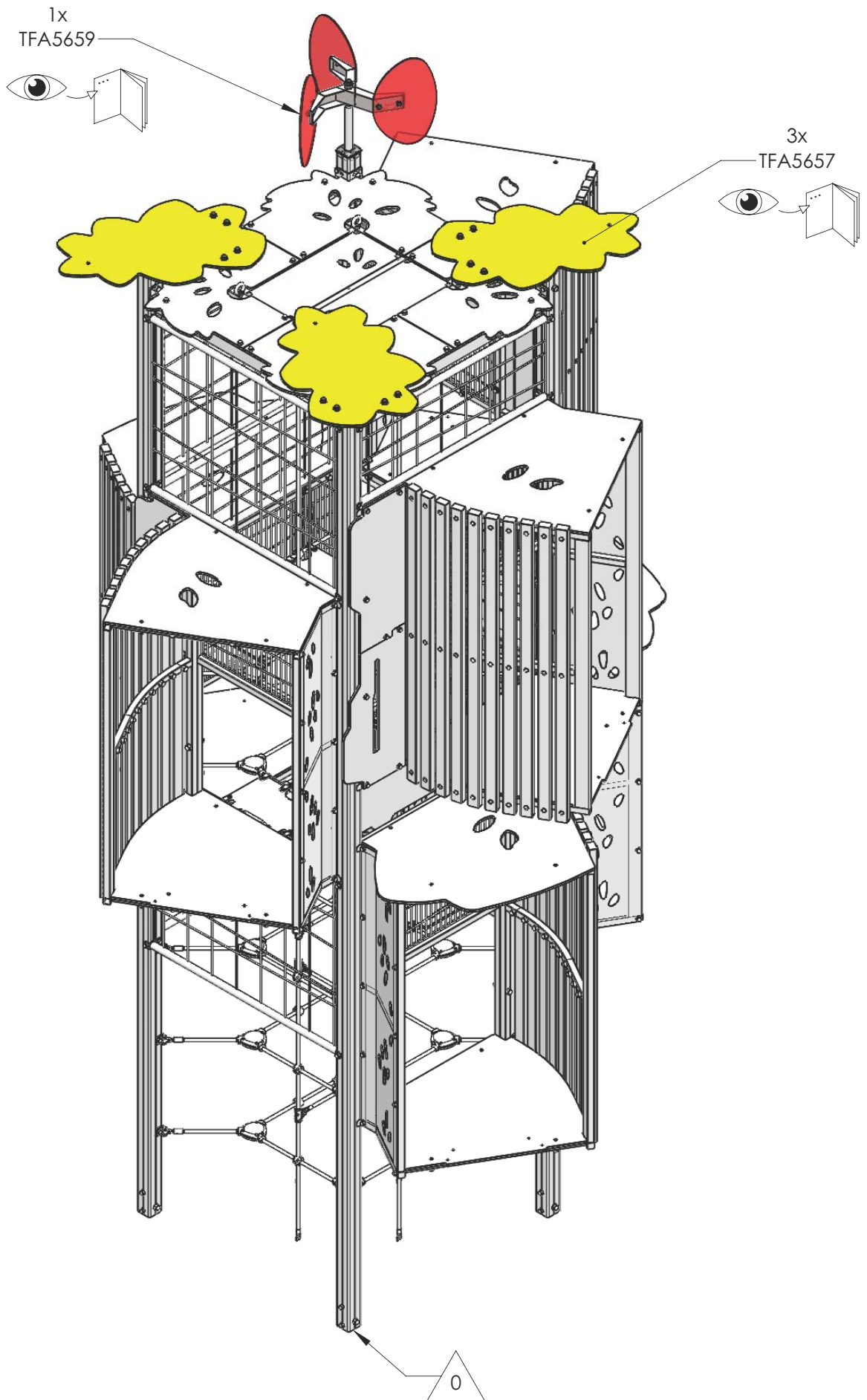
— 1 => G



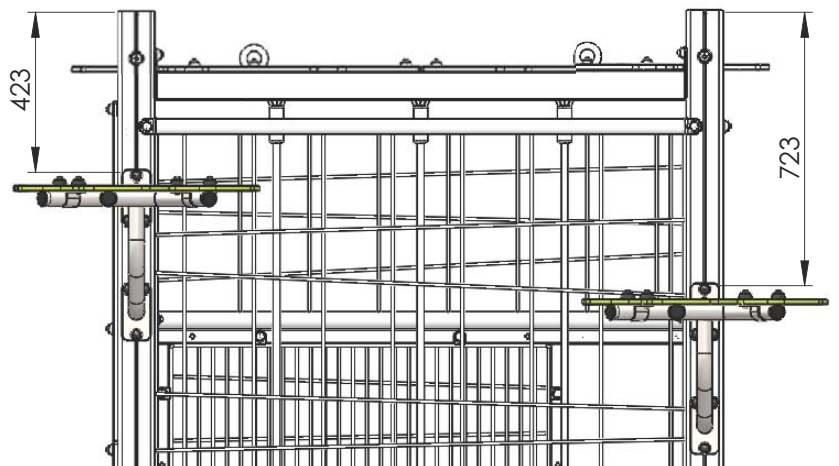
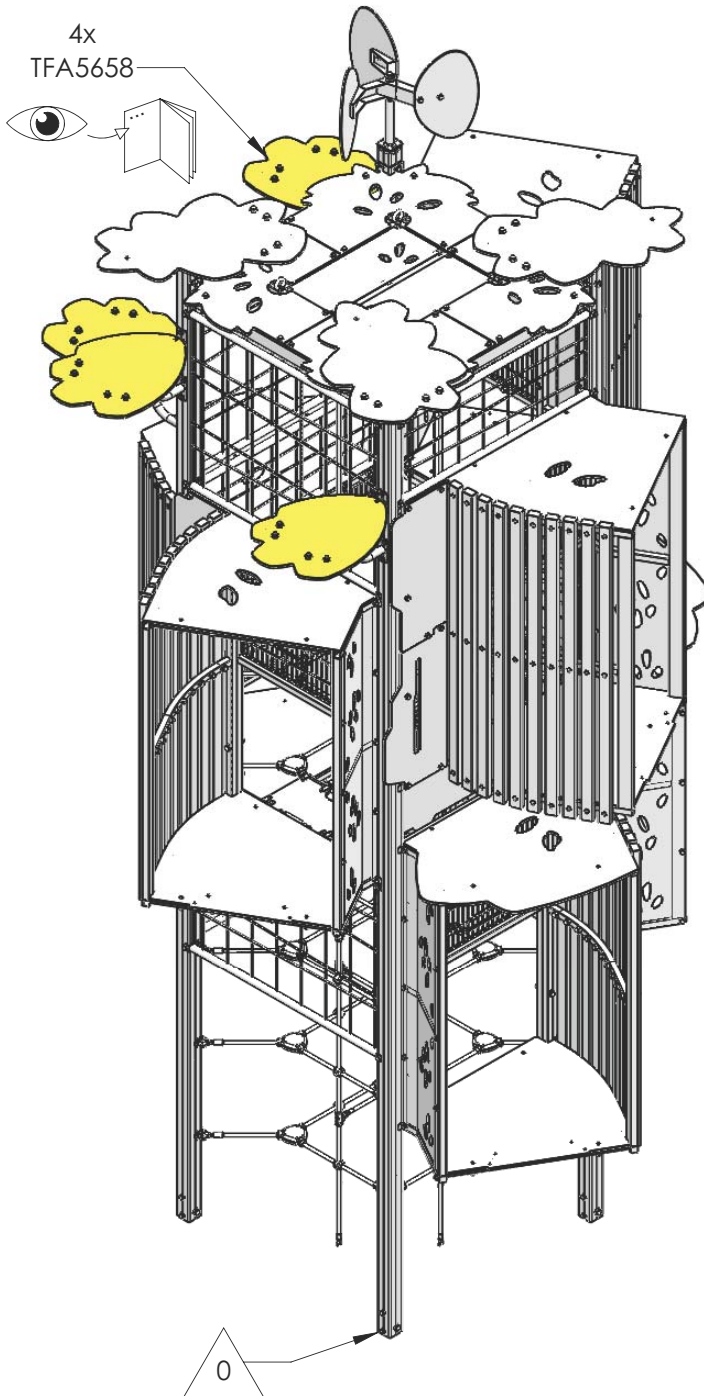
10

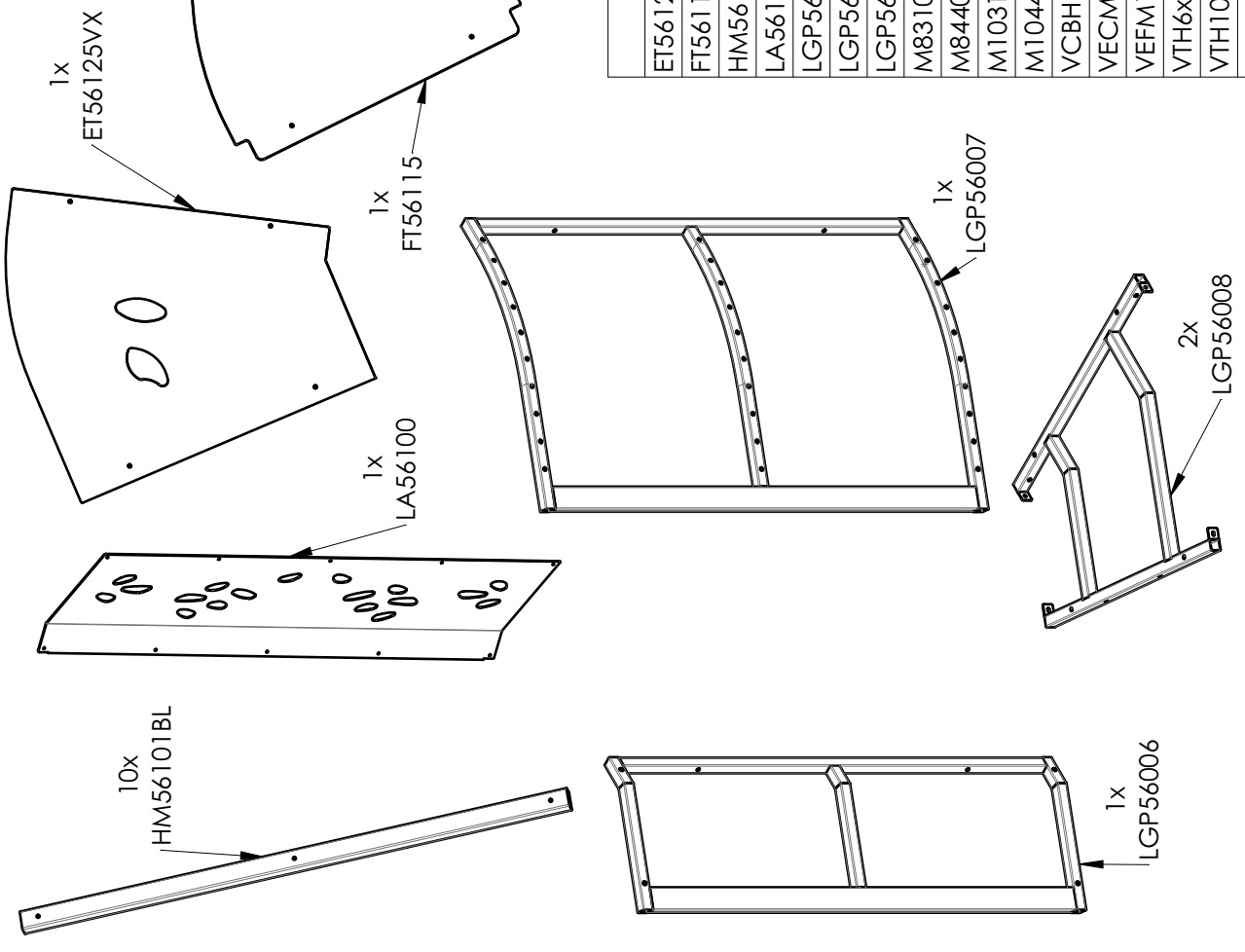
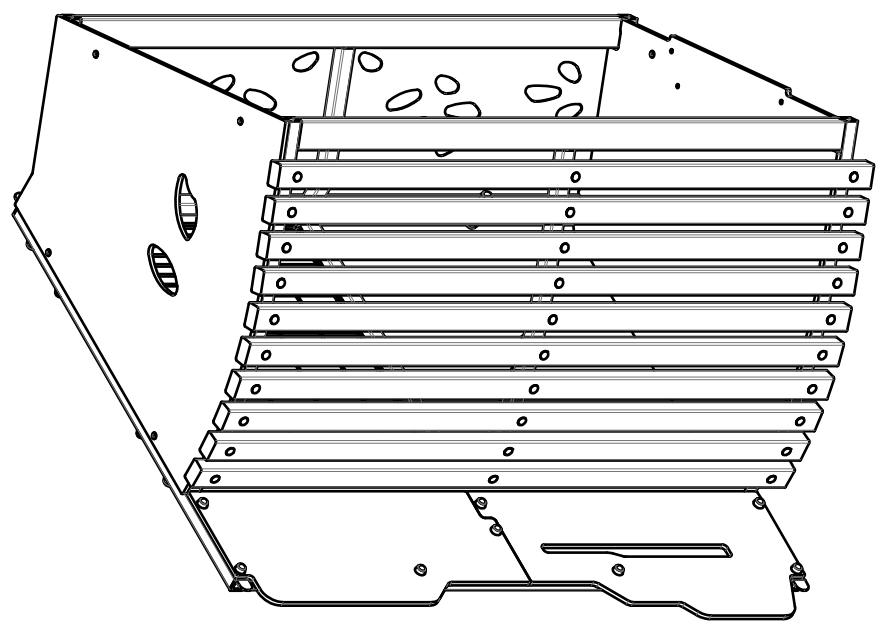


11

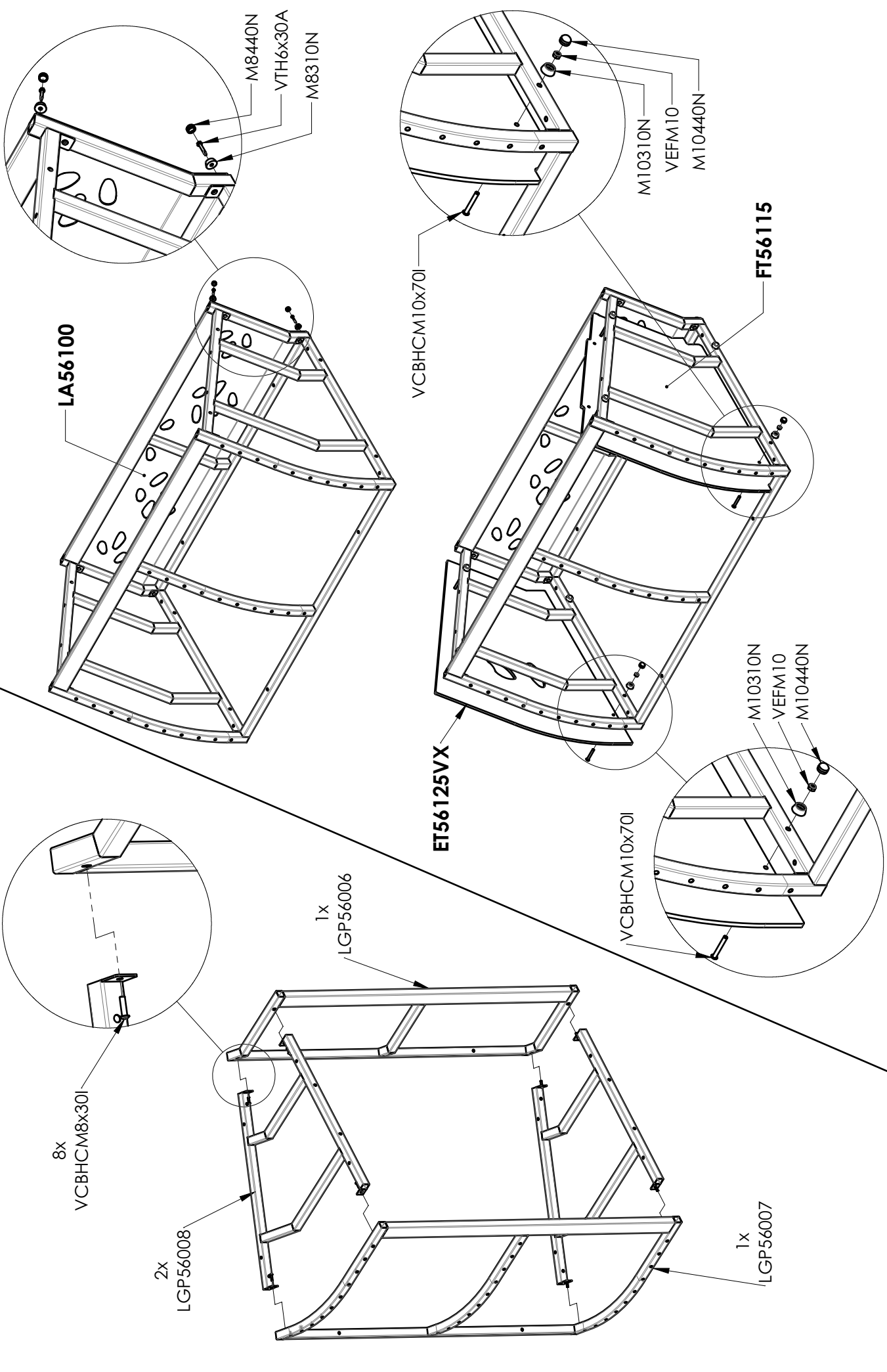


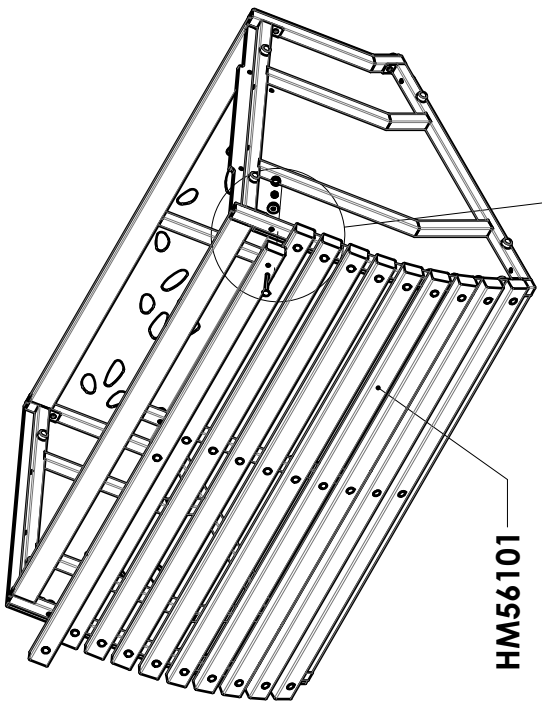
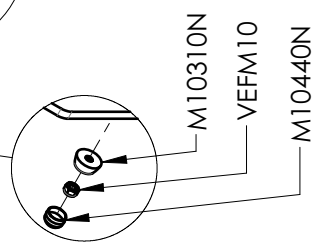
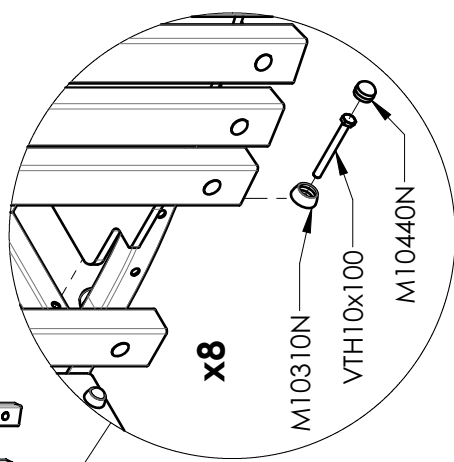
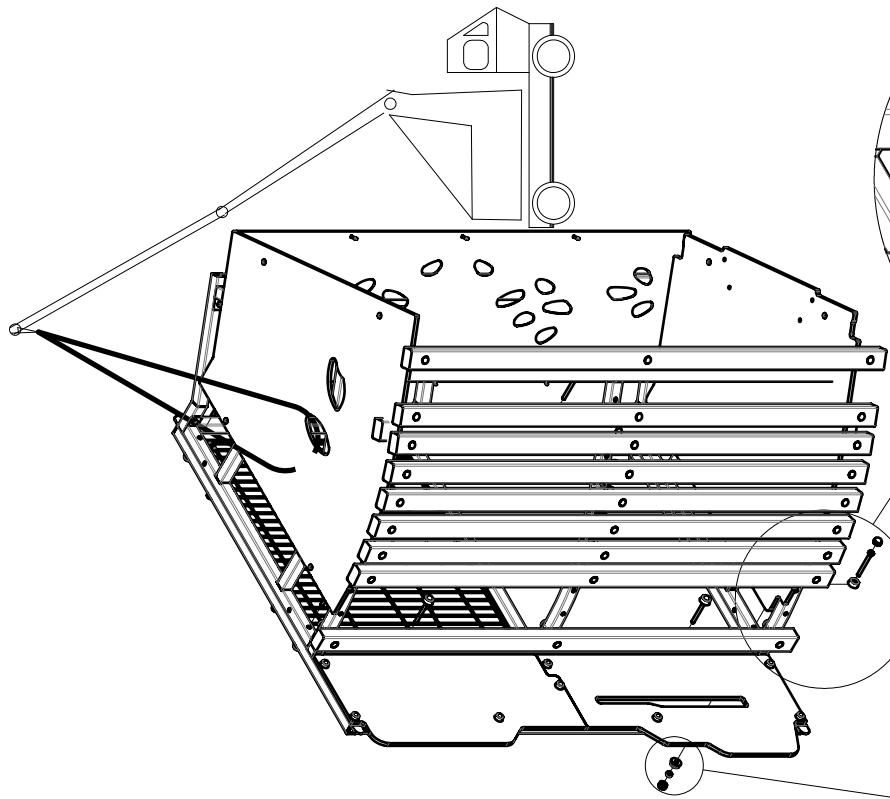
12



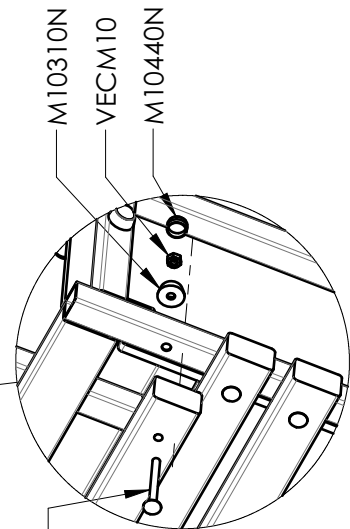


ET56125VX	1
FT56115	1
HM56101	10
LA56100	1
LGP56006VX	1
LGP56007VX	1
LGP56008VX	2
M8310N	10
M8440N	10
M10310N	54
M10440N	54
VCBHC10x70I	8
VECM10	30
VEFM10	16
VTH6x30A	10
VTH10x100	8
VTRCC10x100	30
VCBHC10x30I	8

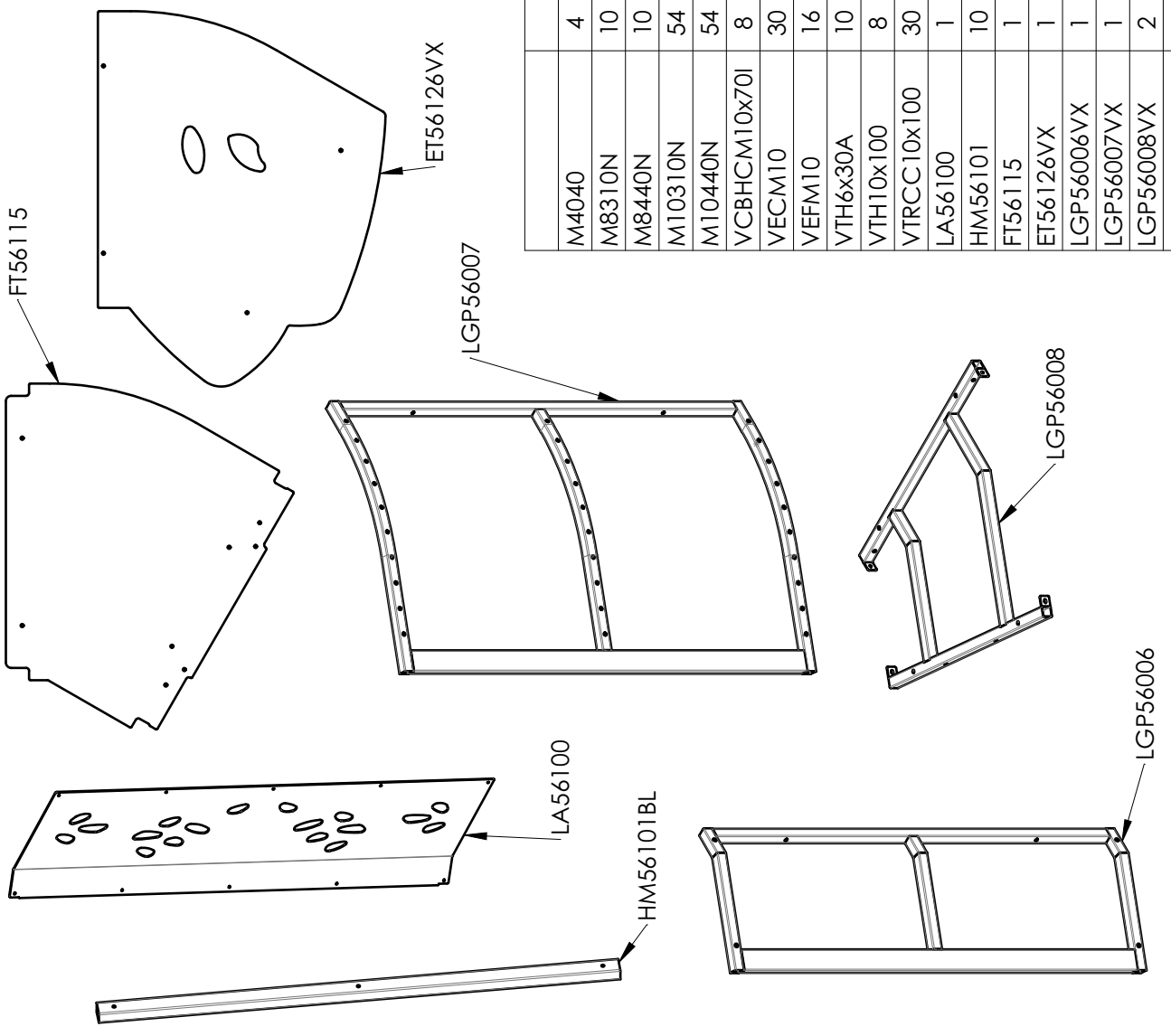
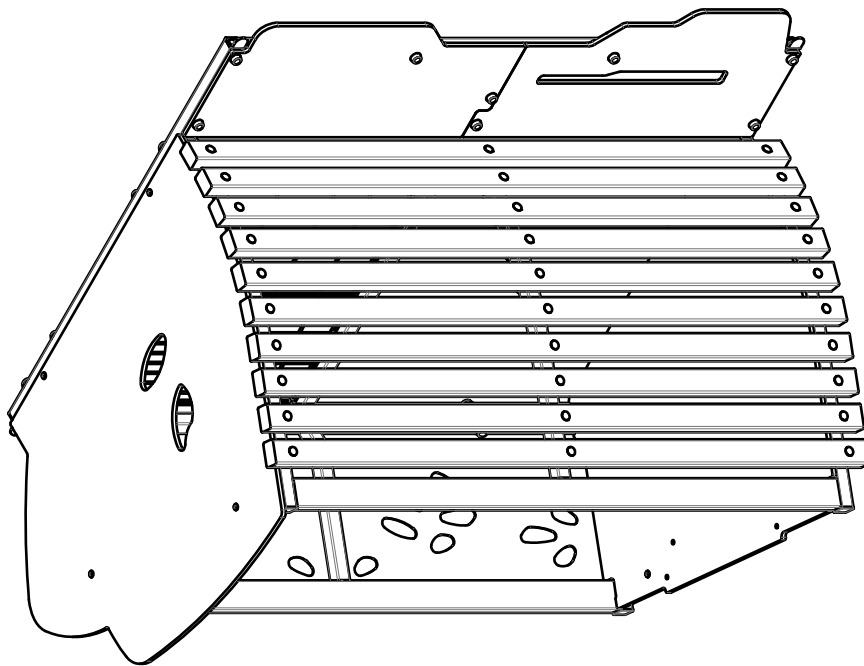




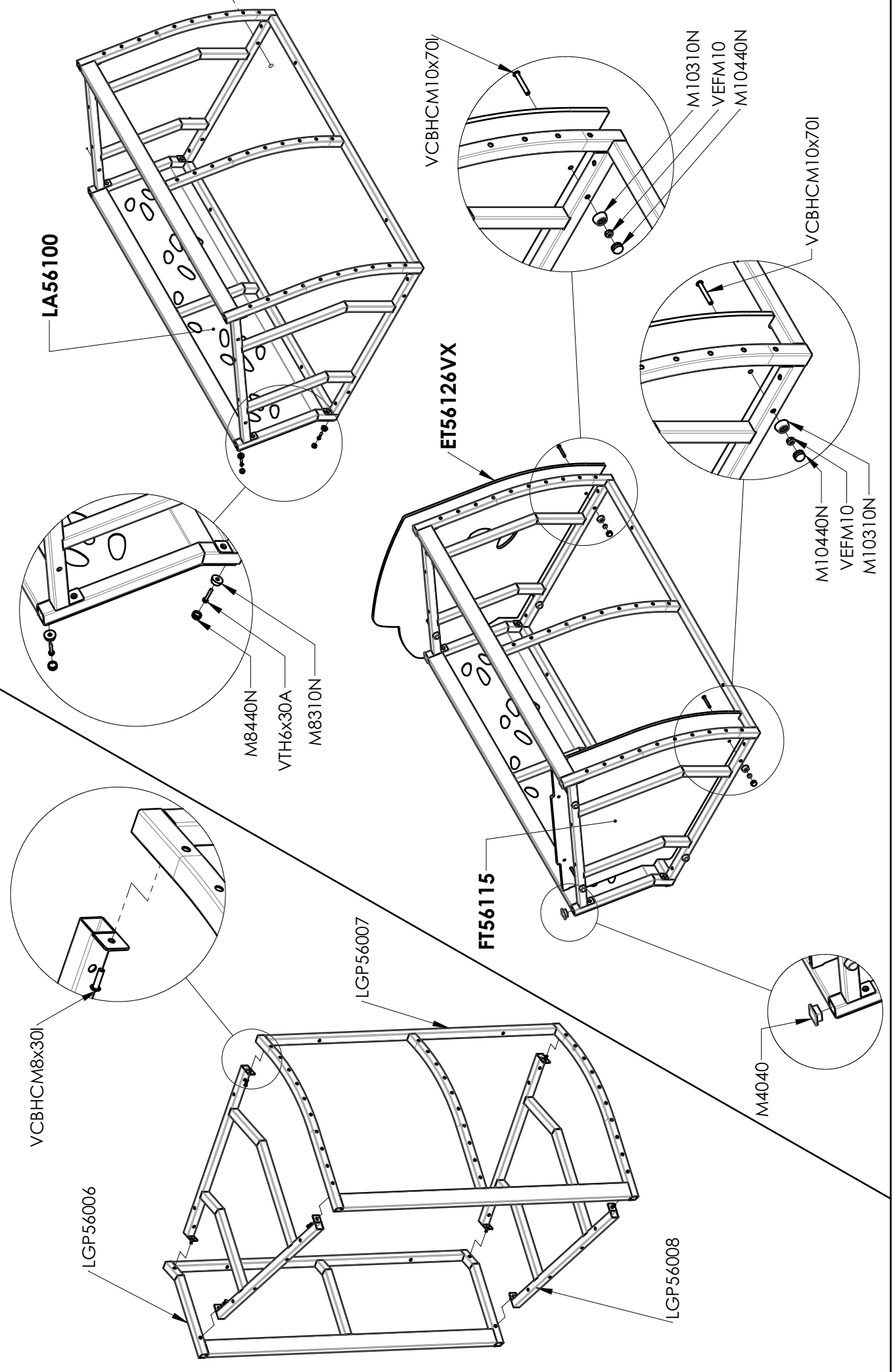
HM56101

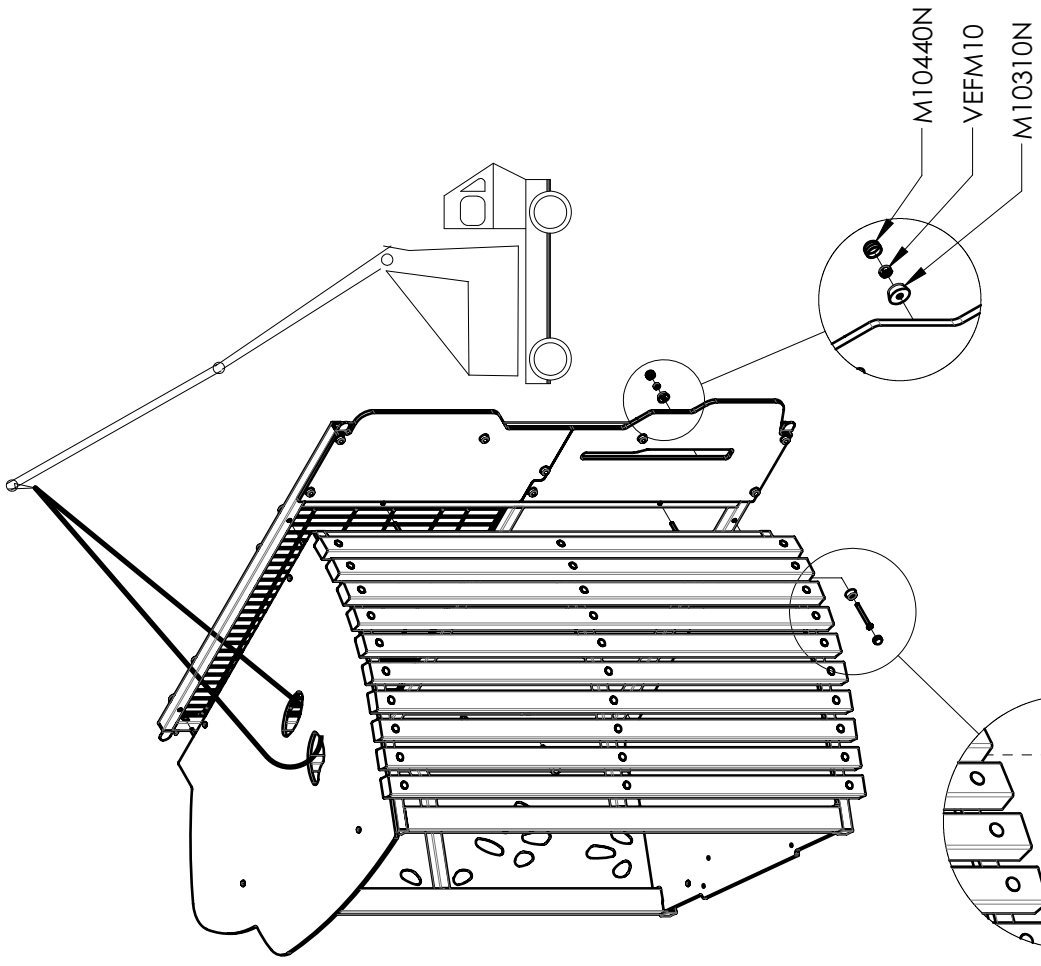
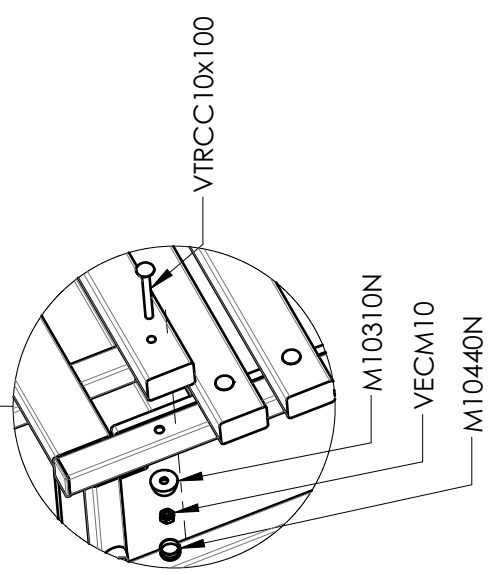
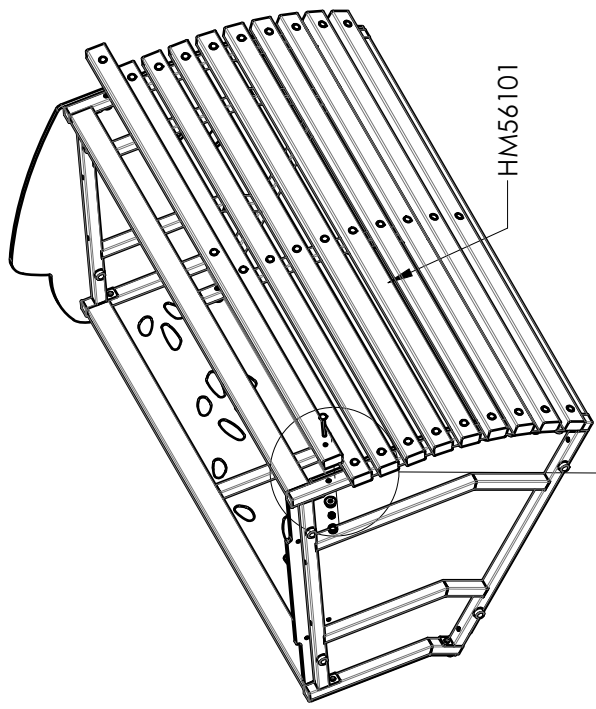


VTRCC10x100

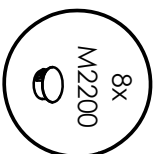
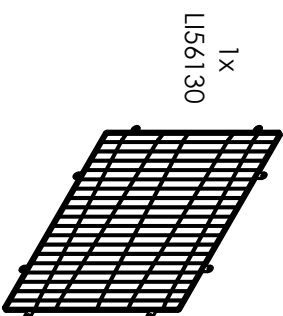
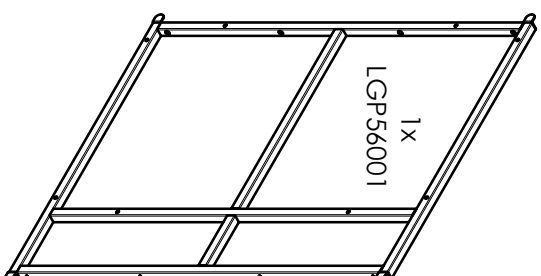
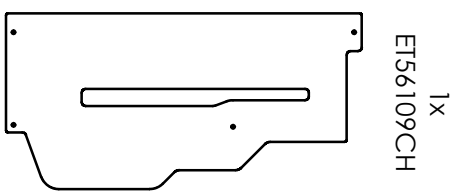
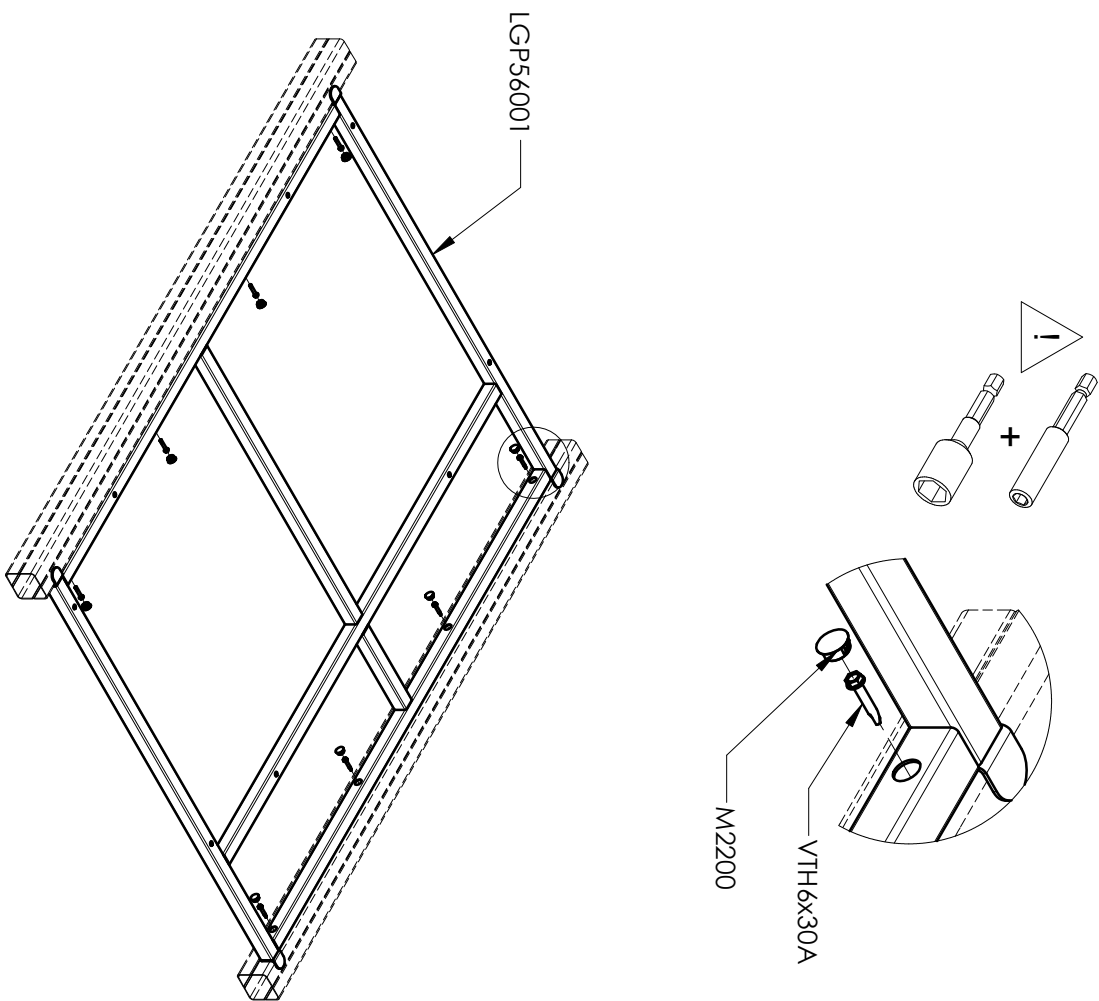


M4040	4
M8310N	10
M8440N	10
M10310N	54
M10440N	54
VCBHC M10x70I	8
VECM10	30
VEFM10	16
VTH6x30A	10
VTH10x100	8
VTRCC10x100	30
LA56100	1
HM56101	10
FT56115	1
ET56126VX	1
LGP56006VX	1
LGP56007VX	1
LGP56008VX	2
VCBHC M8x30I	8



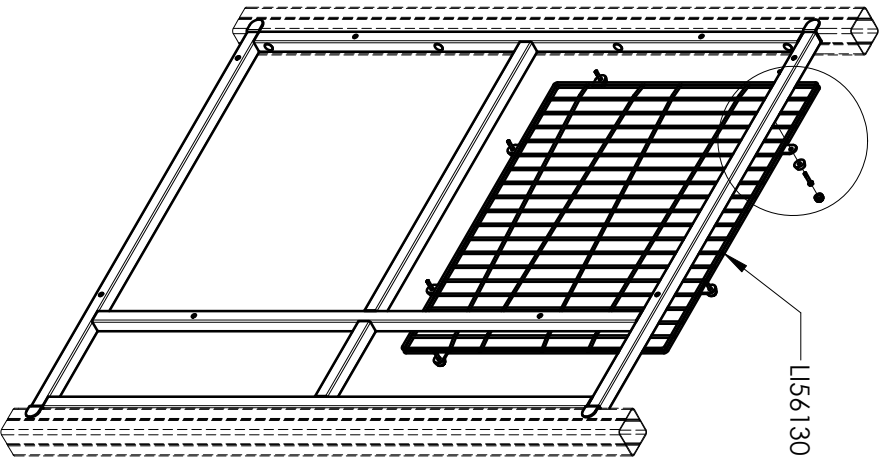
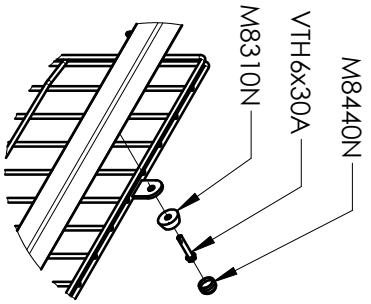


1

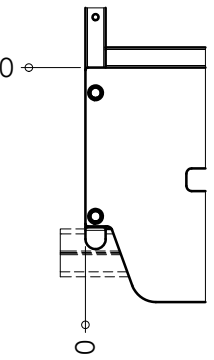
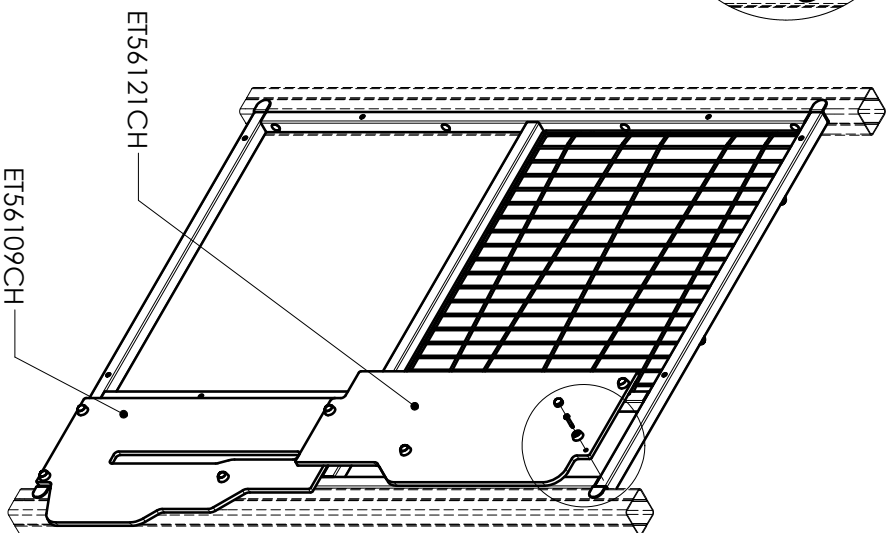
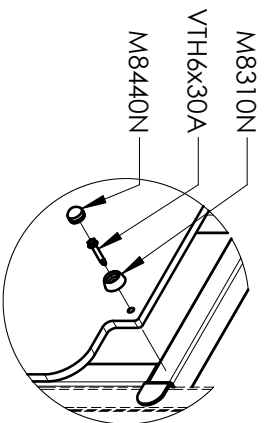


ET56109CH	1
ET56121CH	1
LGP56001	1
LI56130	1
M2200	8
M8310N	16
M8440N	16
VTH6x30A	24

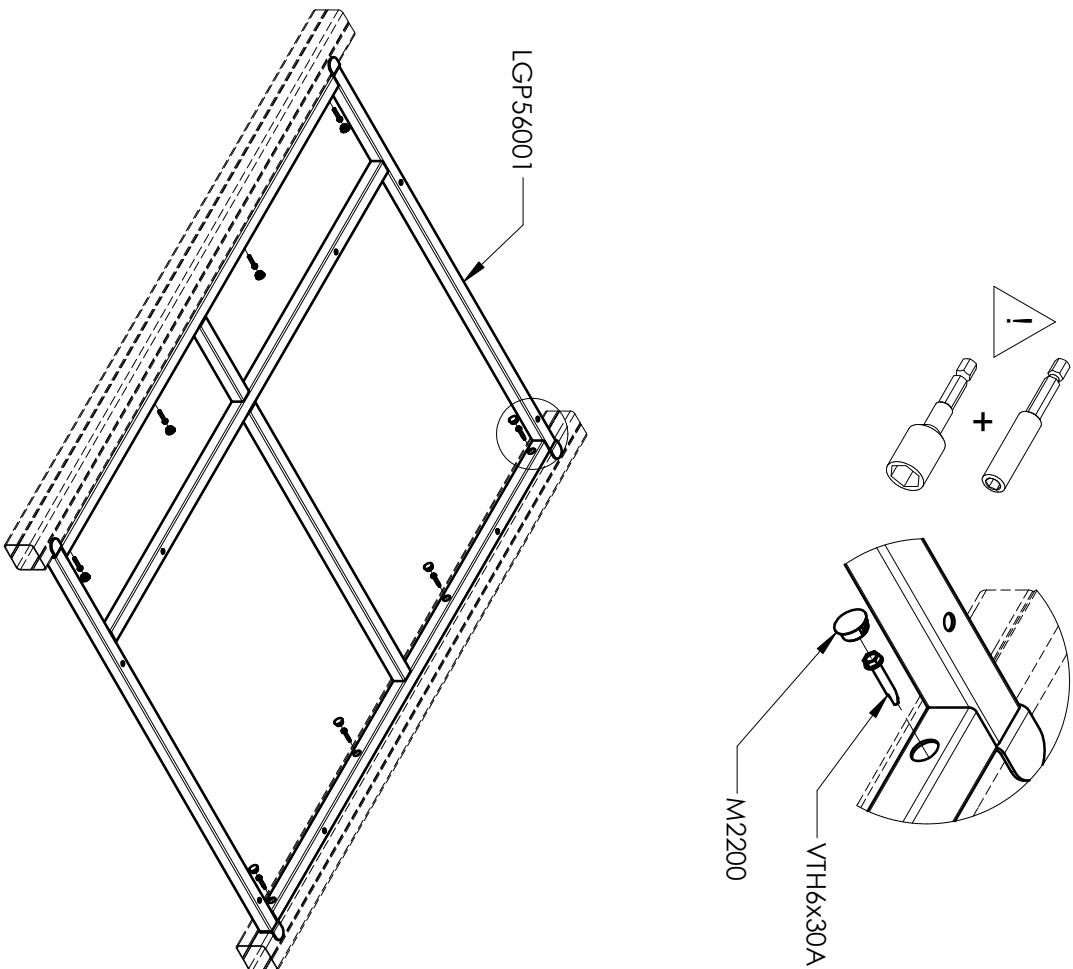
2



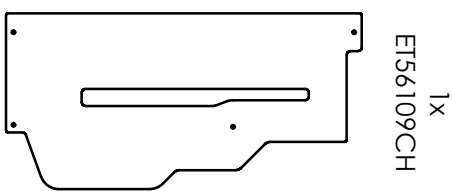
3



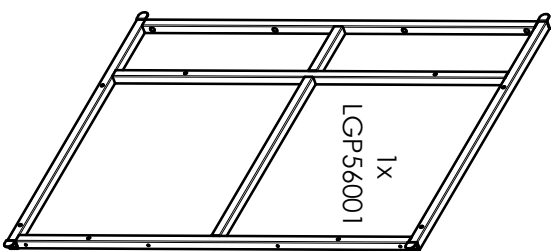
1



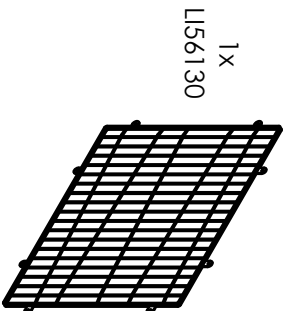
1x
ET56121CH



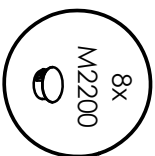
1x
ET56109CH



1x
LGS56001



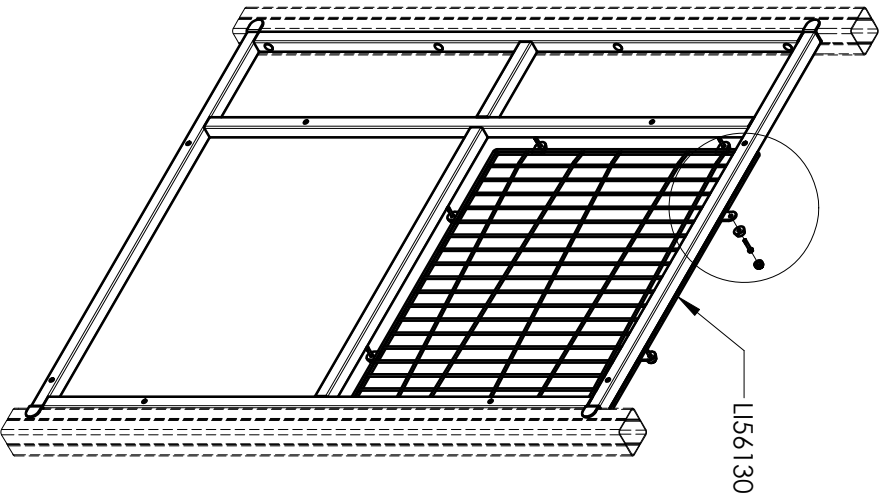
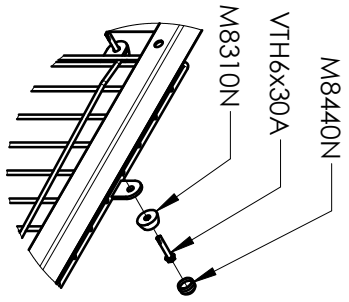
1x
LI56130



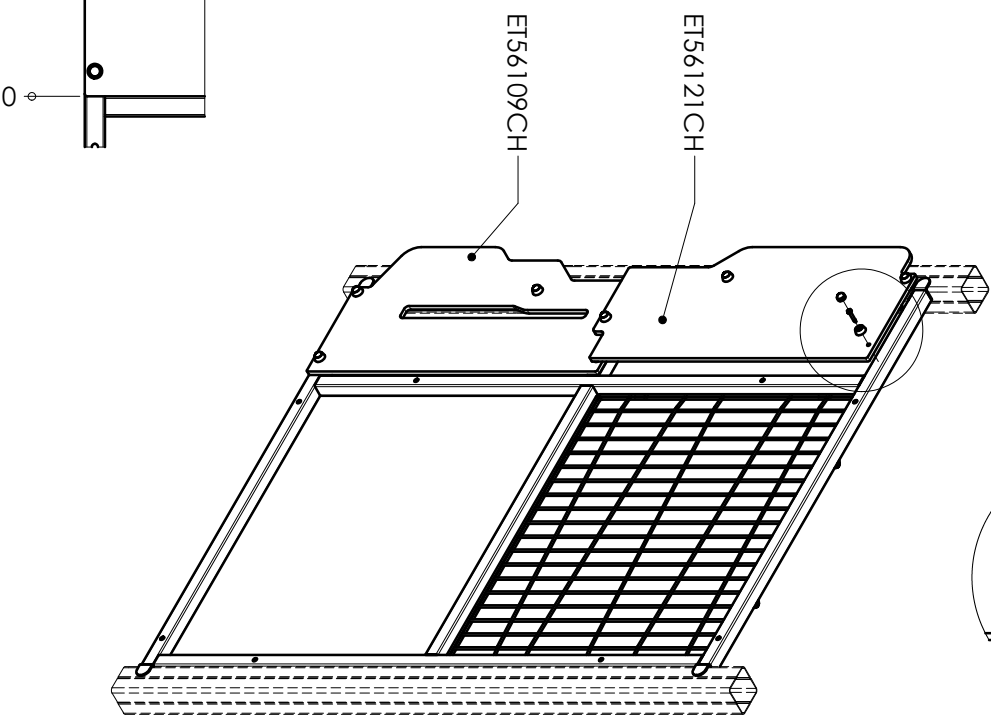
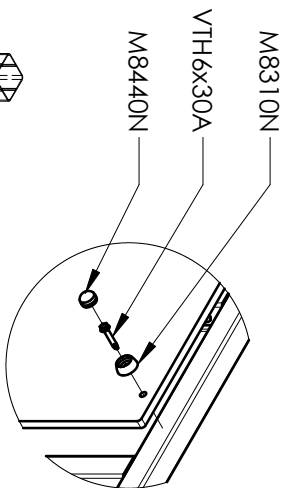
8x
M2200

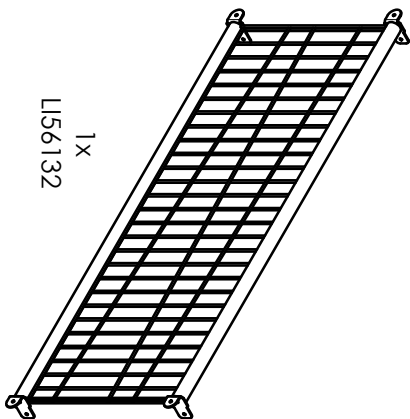
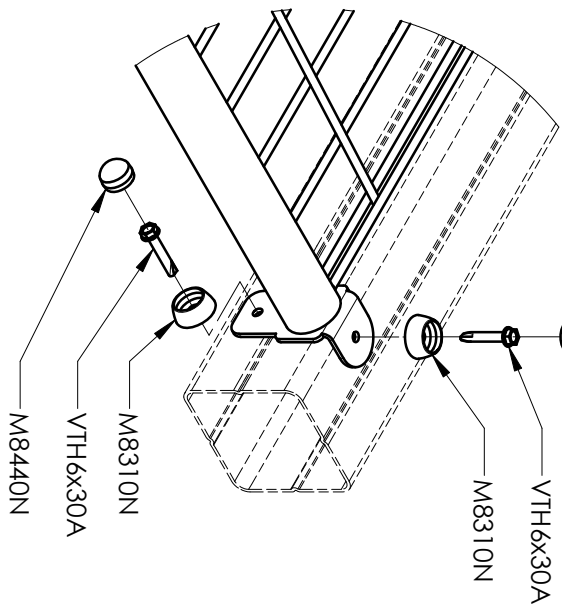
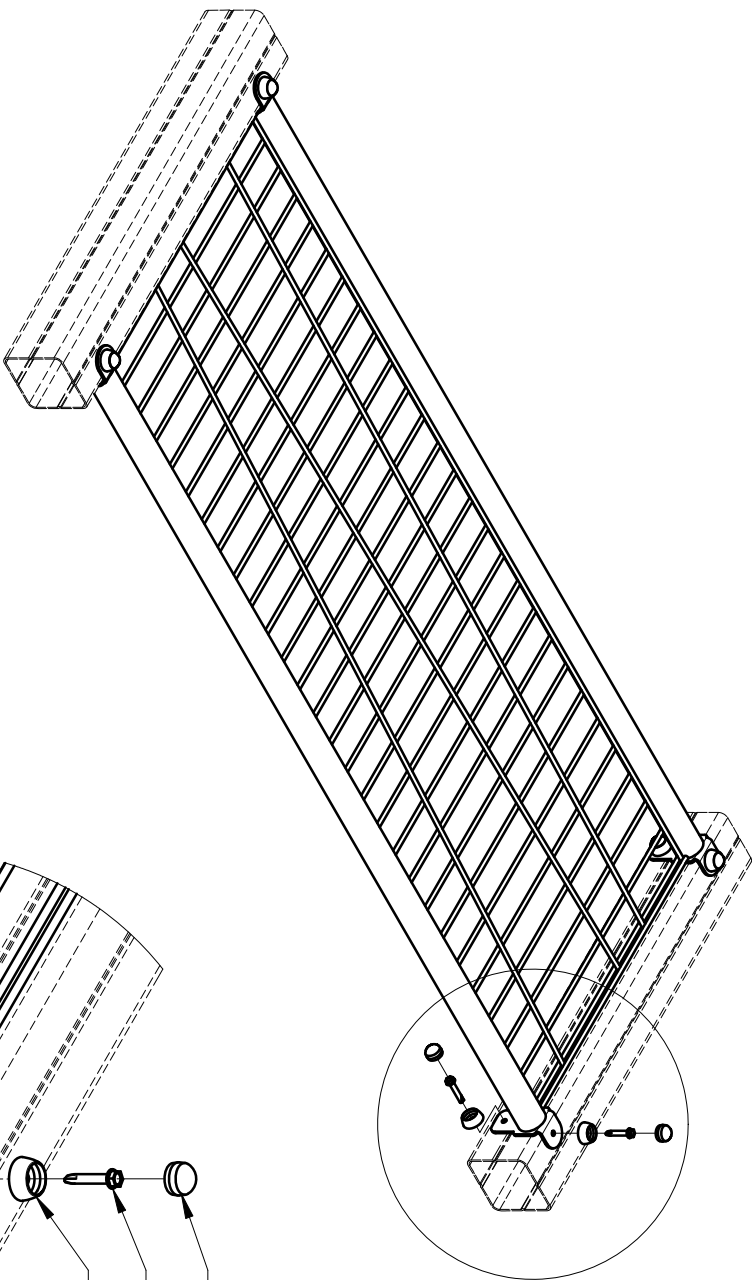
ET56109CH	1
ET56121CH	1
LGS56001	1
LI56130	1
M2200	8
M8310N	16
M8440N	16
VTH6x30A	24

2



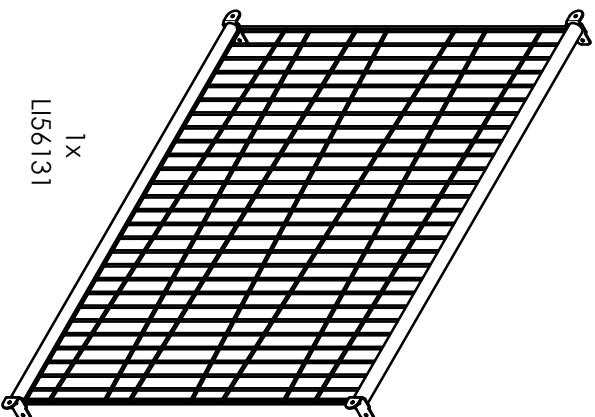
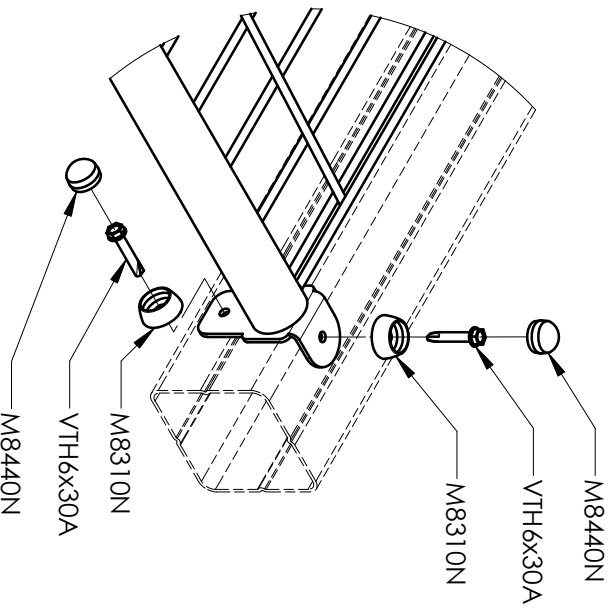
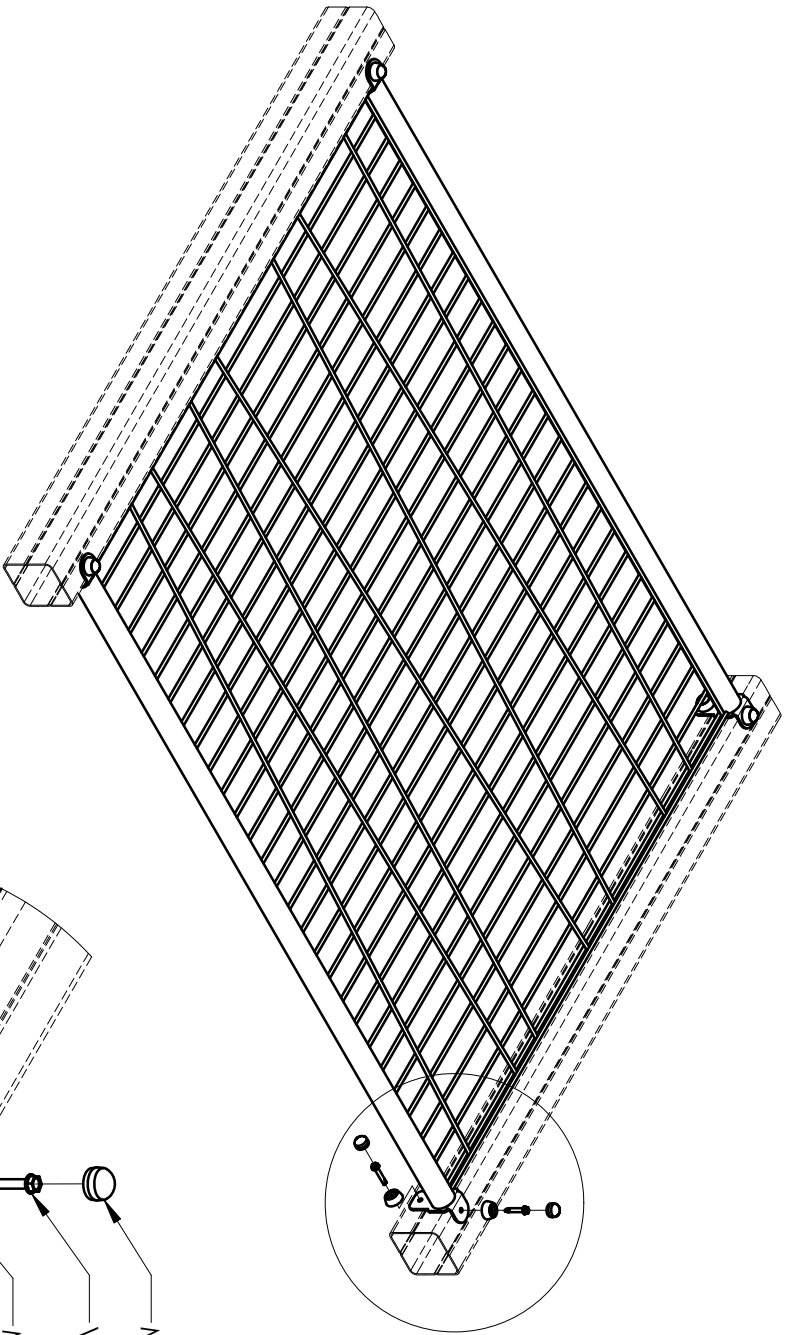
3





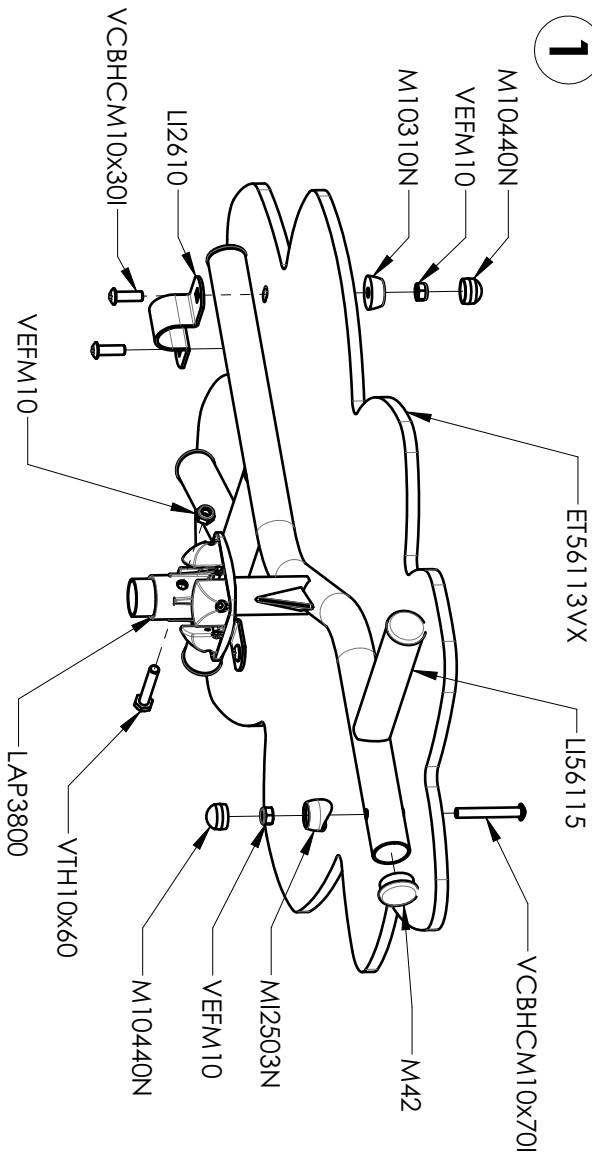
1x
L56132

L56132	1
M8310N	8
M8440N	8
VTH6x30A	8

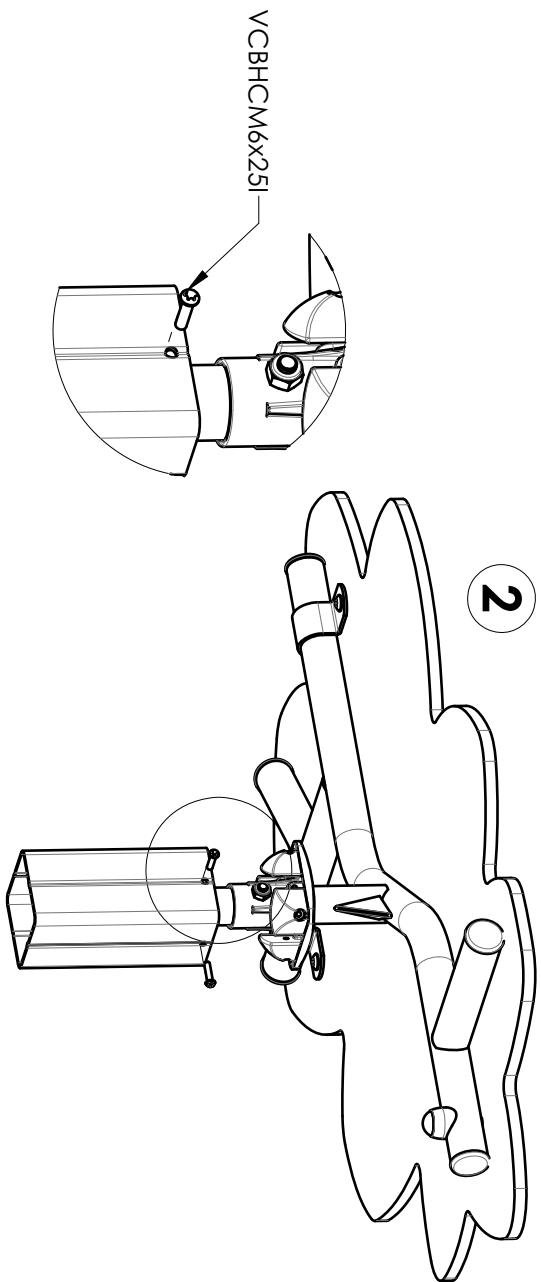


LI56131	1
M8310N	8
M8440N	8
VTH6x30A	8

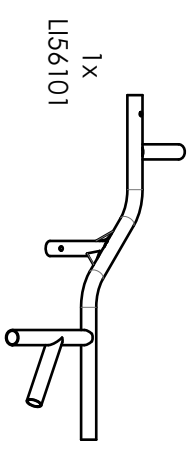
1



2



1x
ET56113VX

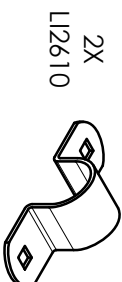
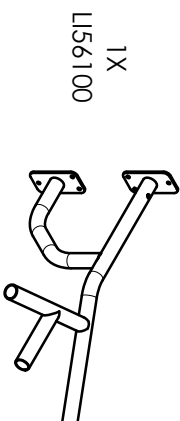
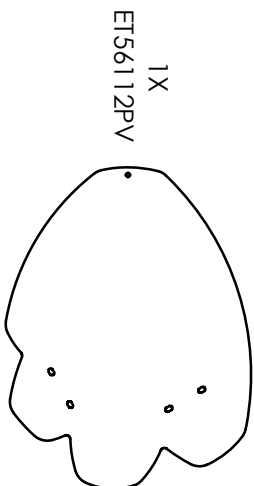
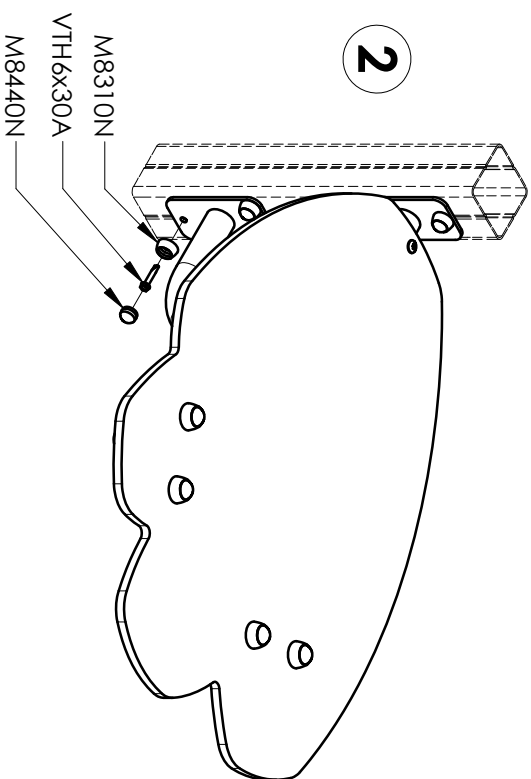
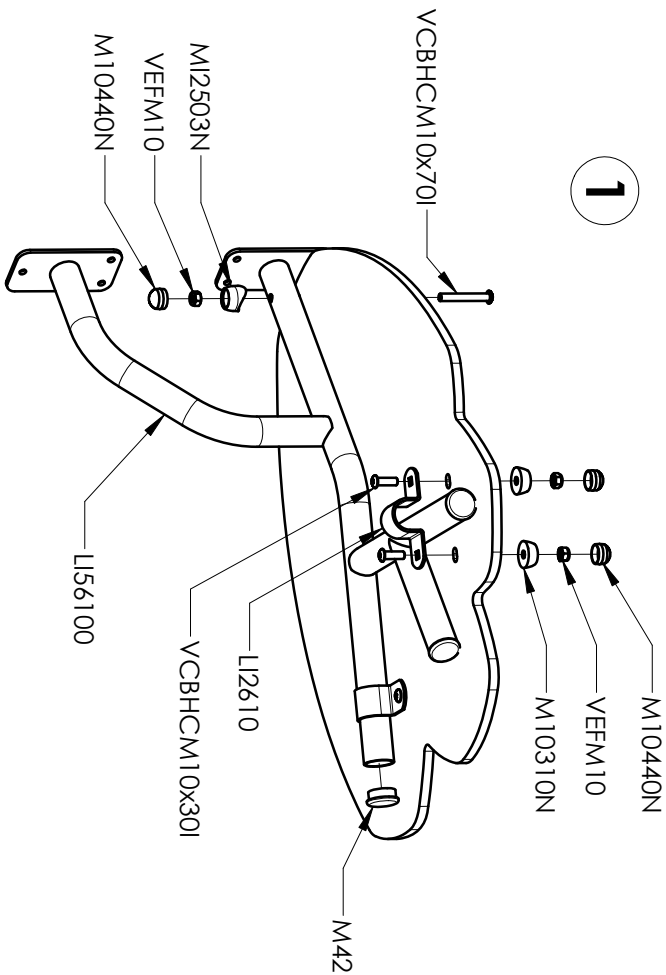


1x
LIS6101

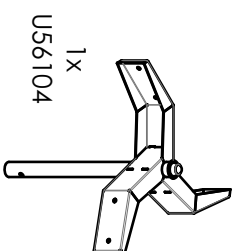
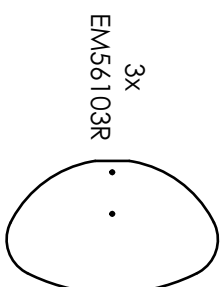
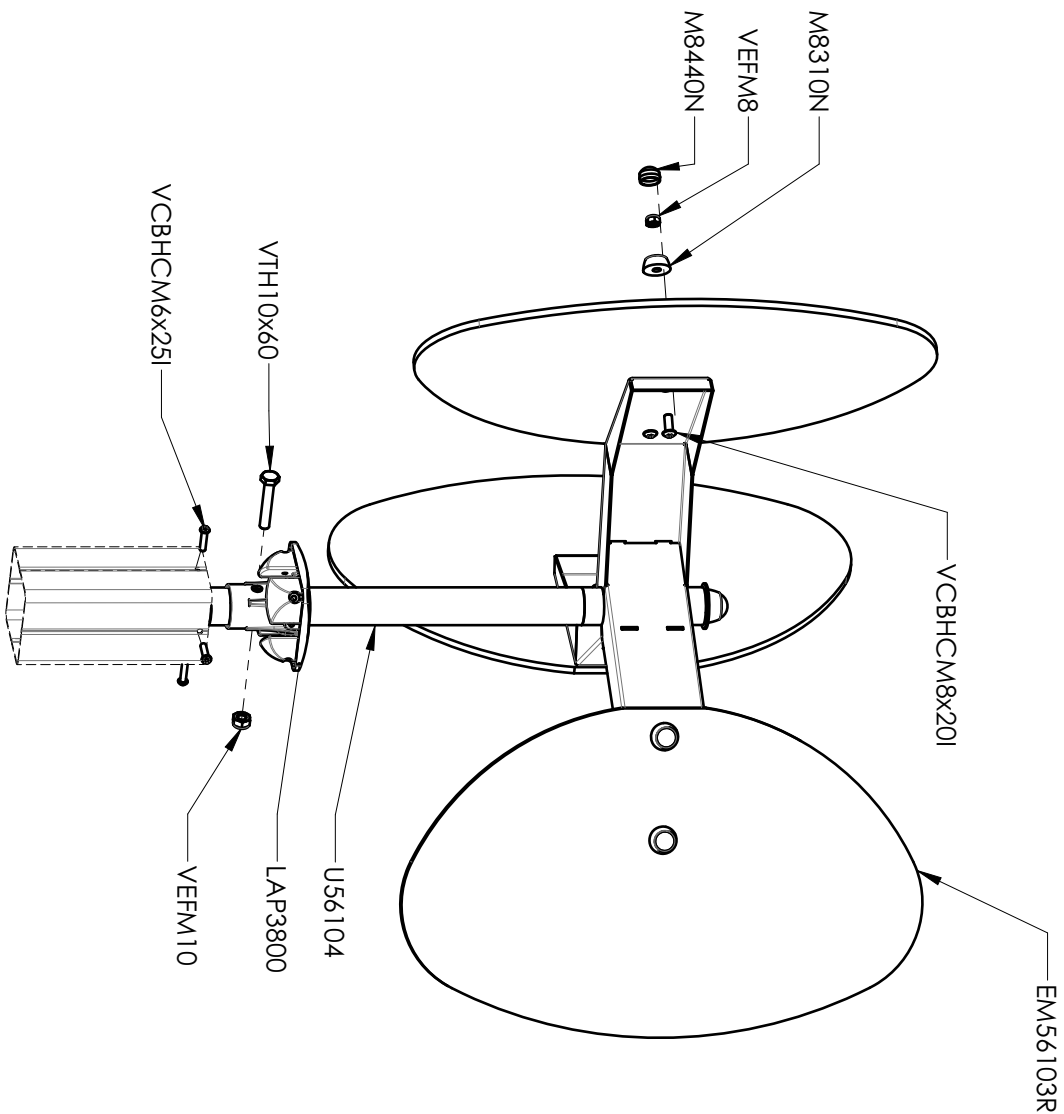


1x
L12610

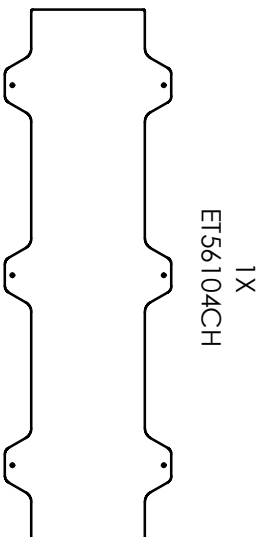
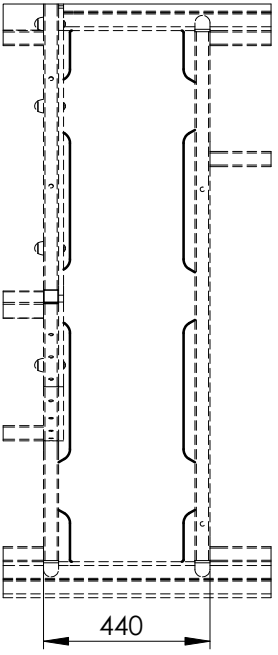
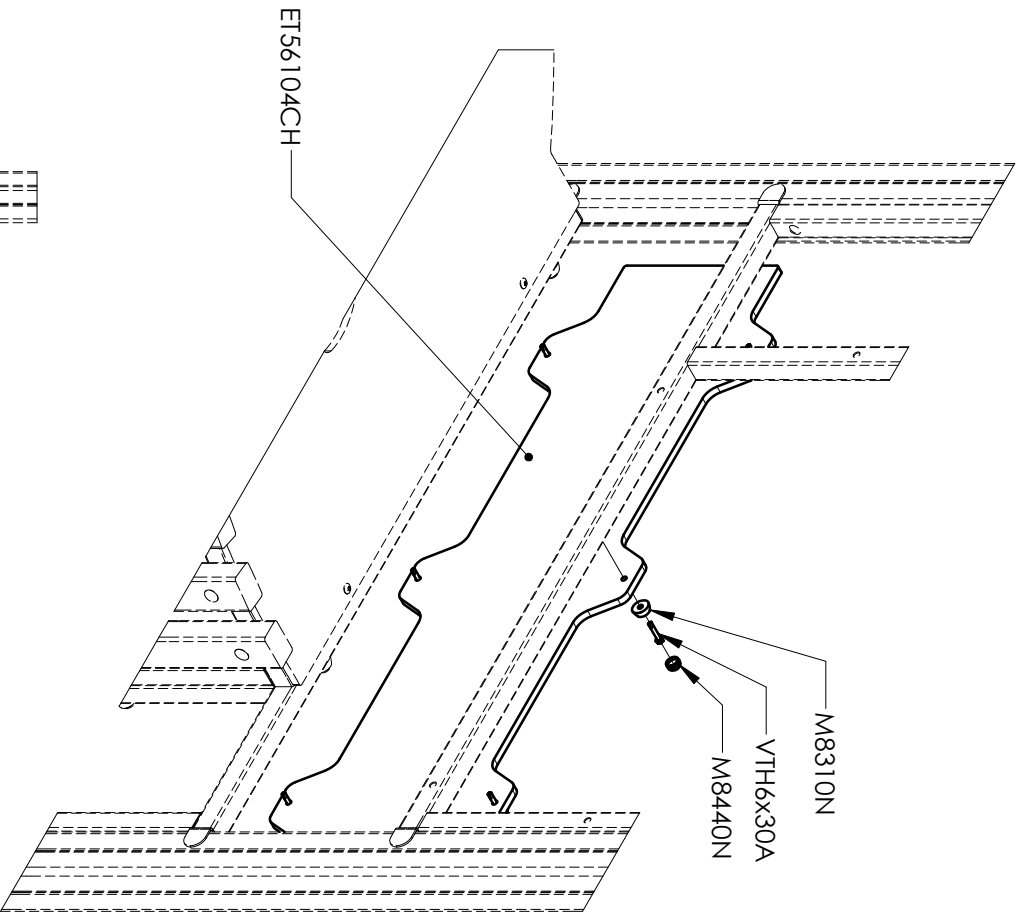
ET56113VX	1
LAP3800	1
L12610	2
LIS6101	1
M42	5
M10310N	4
M10440N	5
M12503N	1
VCBHCM6x25I	4
VCBHCM10x30I	4
VCBHCM10x70I	1
VEFM10	6
VTH10x60	1



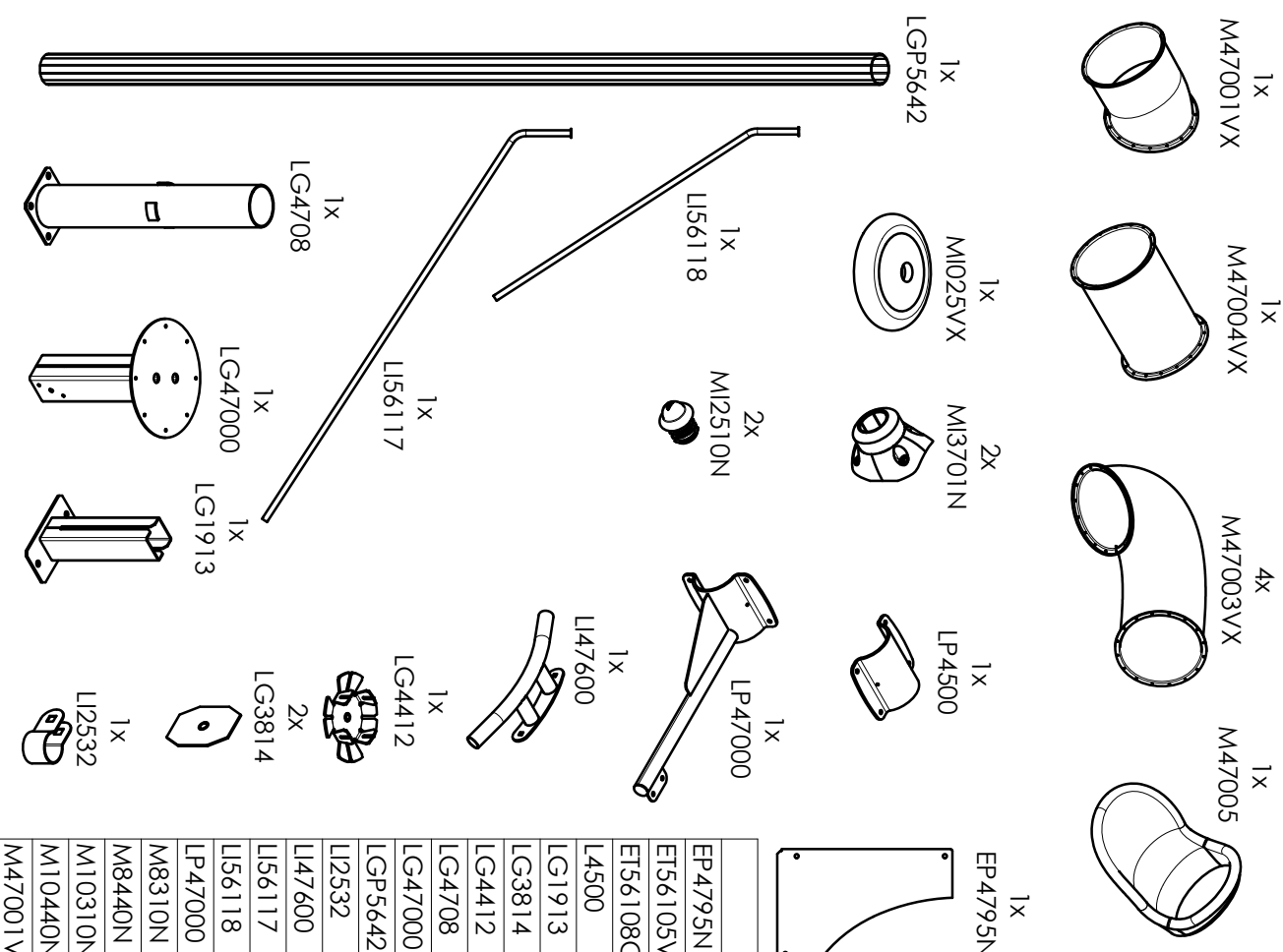
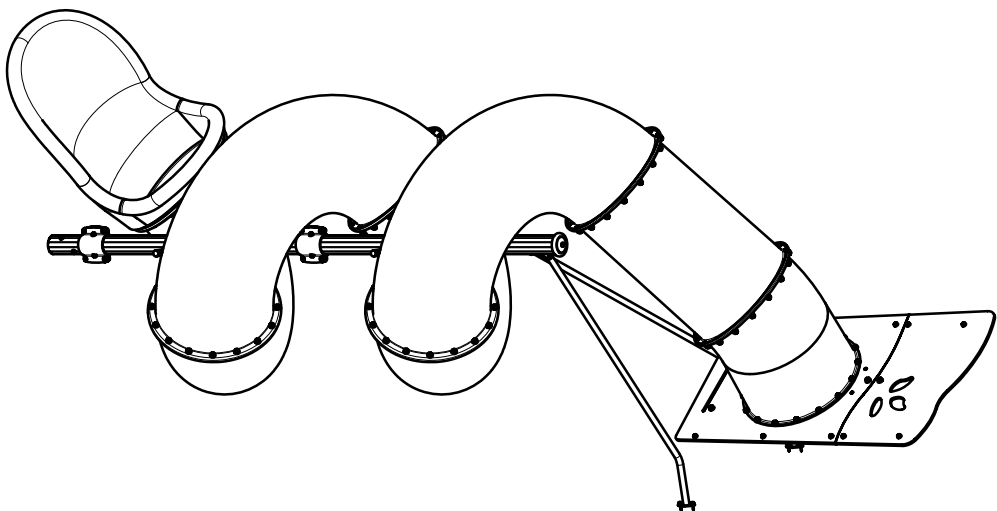
ET56112PV	1
L12610	2
L156100	1
M42	3
M8310N	6
M8440N	6
M10310N	4
M10440N	5
M12503N	1
VCBHC M10x30I	4
VCBHC M10x70I	1
VEFM10	5
VTH6x30A	6



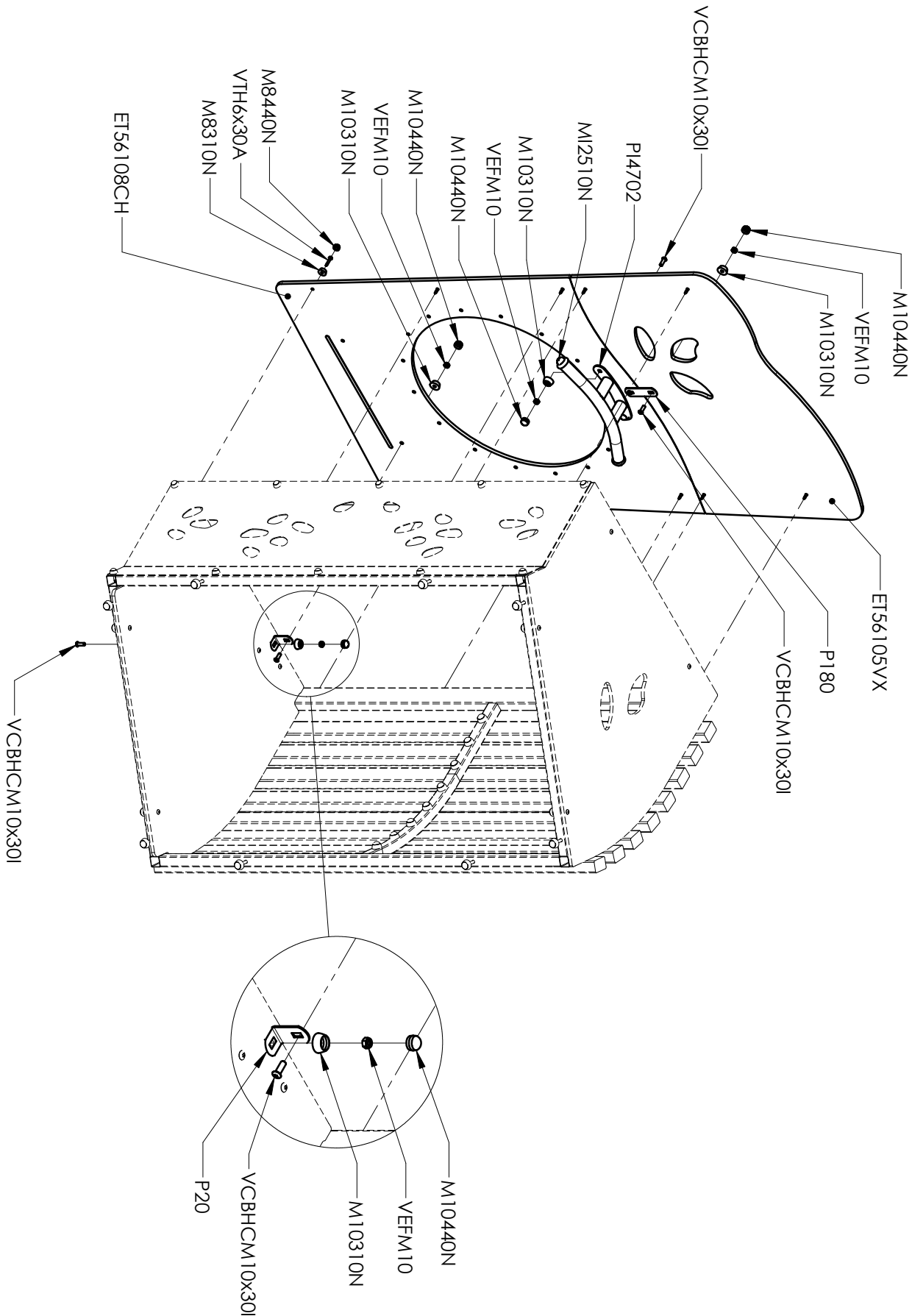
EM56103R	3
LAP3800	1
M8310N	6
M8440N	6
U56104	1
VCBHCM6x25I	4
VCBHCM8x20I	6
VEFM8	6
VEFM10	1
VTH10x60	1

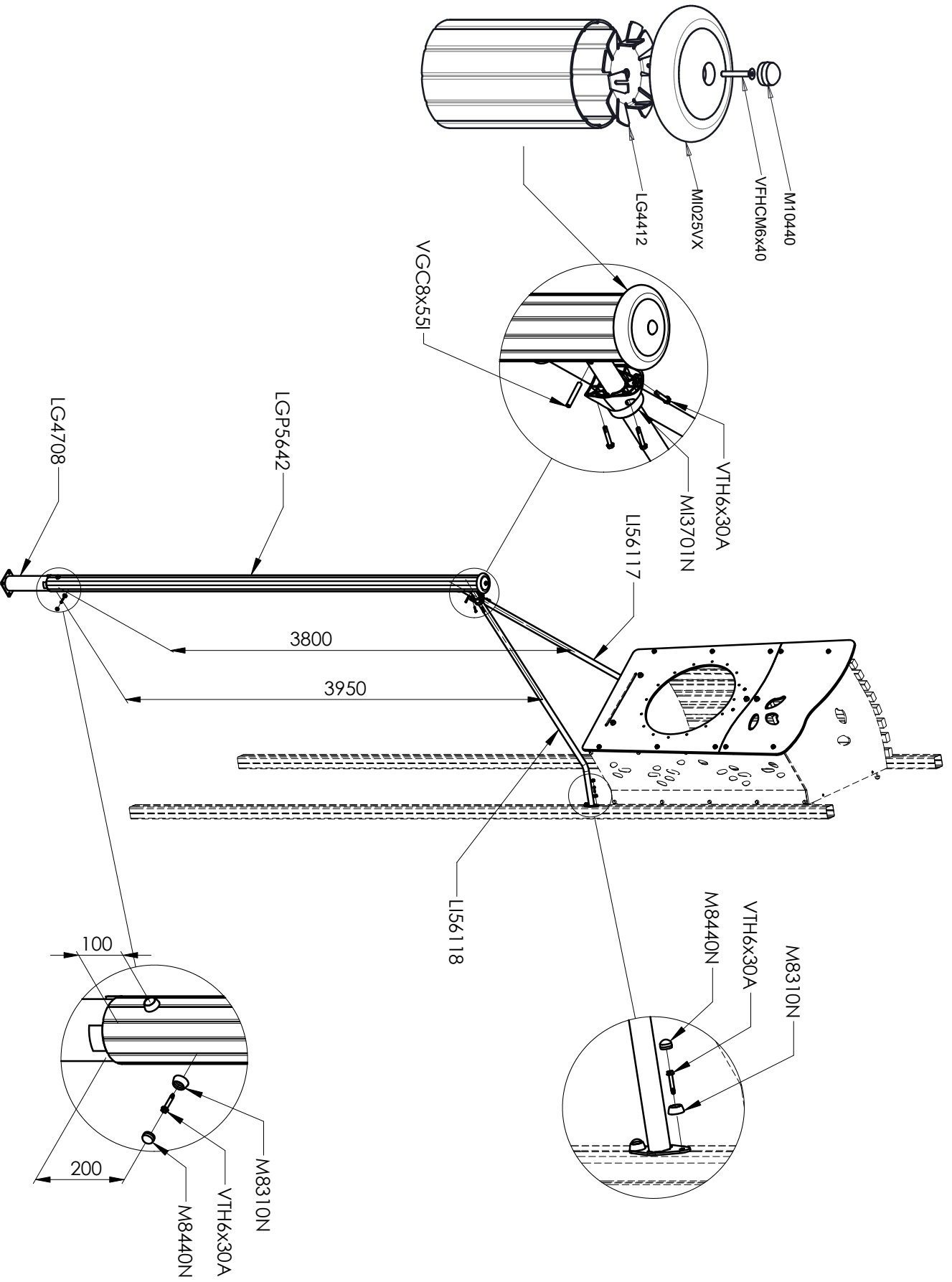


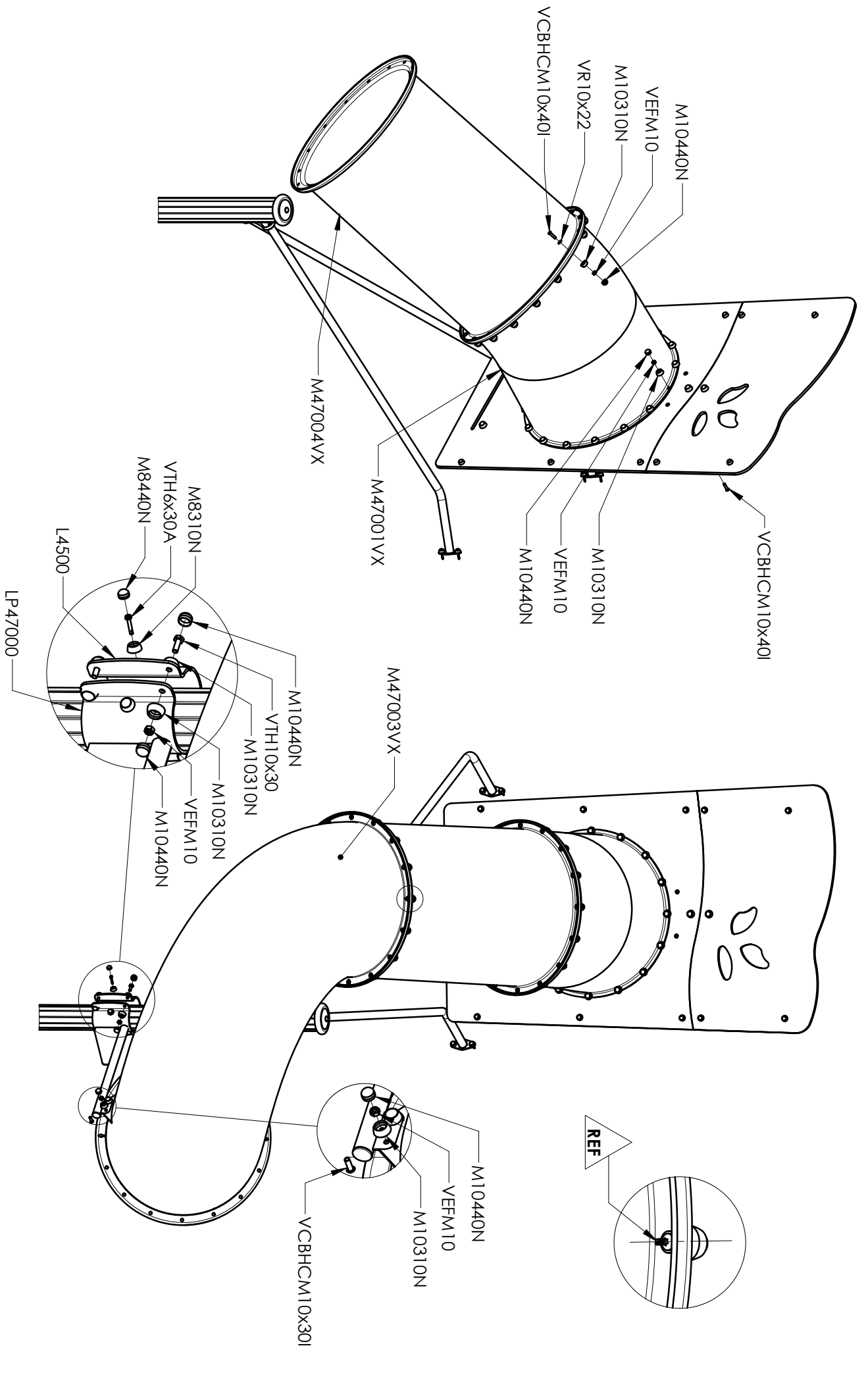
ETS6104CH	1
M8310N	6
M8440N	6
VTH6x30A	6

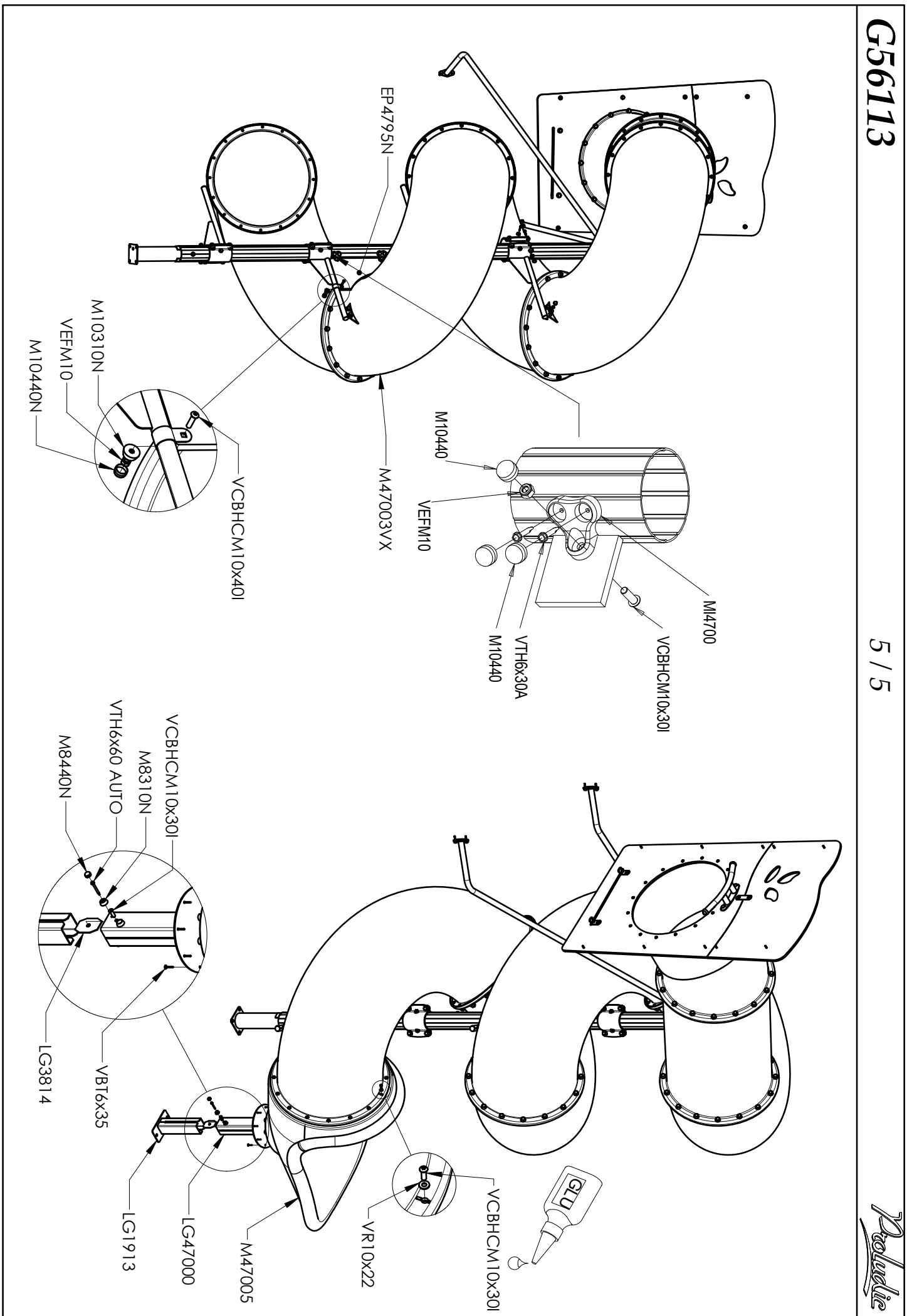


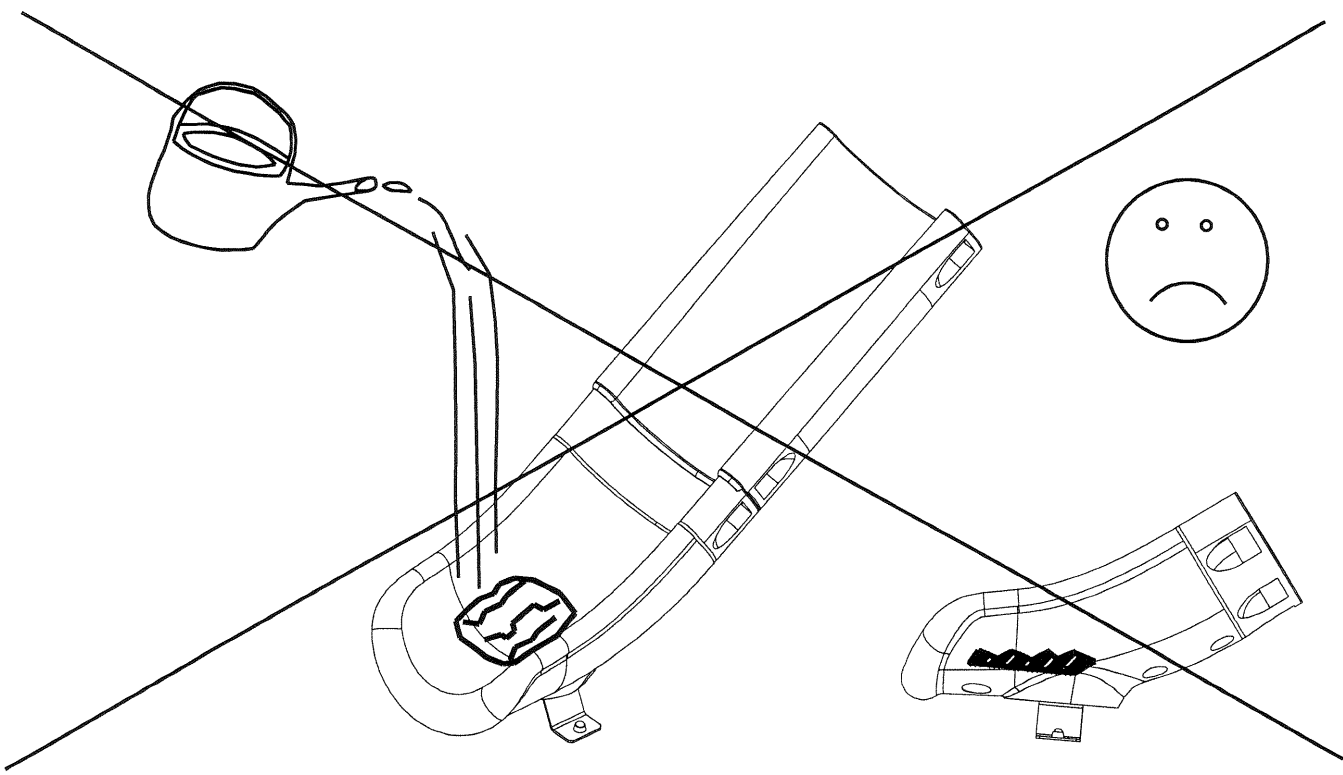
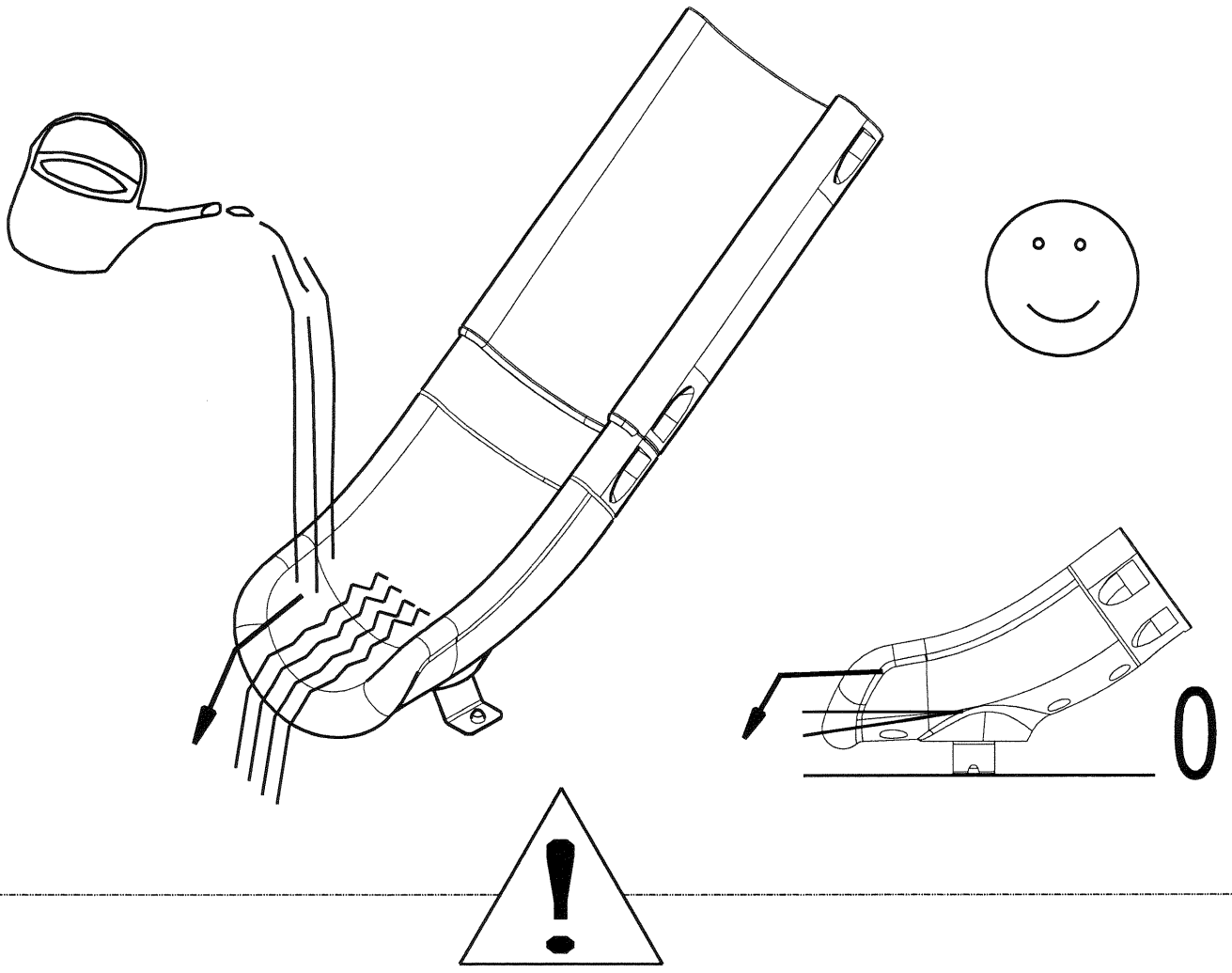
EP4795N	1x	EP4795N	1	M47003VX	4
ET56105VX	1x	ET56105VX	1	M47004VX	1
ET56108CH	1x	ET56108CH	1	M47005	1
L4500	4	M1025VX	1	M12510N	2
LG1913	1	M12510N	2	M13701N	2
LG3814	2	M13701N	2	M14700	2
LG4412	1	M14700	2	P20	2
LG4708	1	P20	2	P180	1
LG47000	1	P180	1	RD14M10	6
LG47000	1	RD14M10	6	VBT6x35	8
LG47000	1	VBT6x35	8	VCBHCM10x301	34
LG47000	1	VCBHCM10x301	34	VCBHCM10x401	99
LG47000	1	VCBHCM10x401	99	VEFM10	131
LG47000	1	VEFM10	131	VFHCM6x40	1
LG47000	1	VFHCM6x40	1	VGC8x55I	2
LG47000	1	VGC8x55I	2	VR10x22	96
LG47000	1	VR10x22	96	VTH6x30A	46
LG47000	1	VTH6x30A	46	VTH6x60 AUTO	4
LG47000	1	VTH6x60 AUTO	4	VTH10x30	16
LG47000	1	VTH10x30	16		

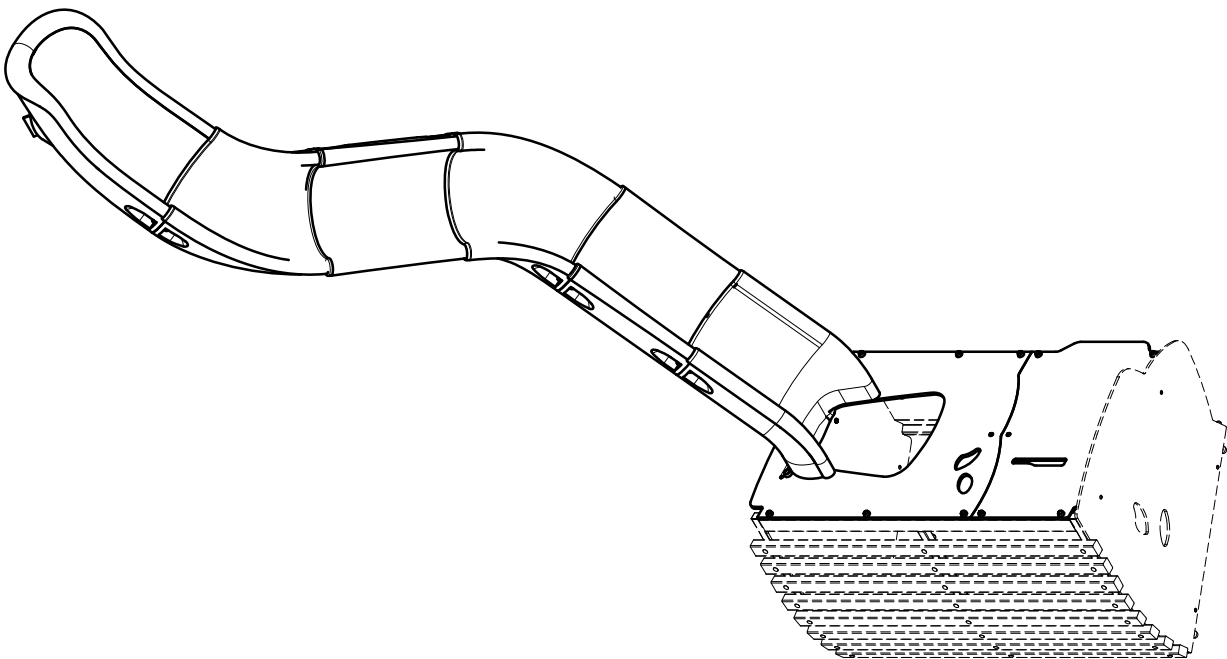




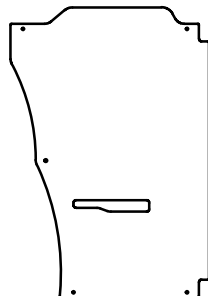




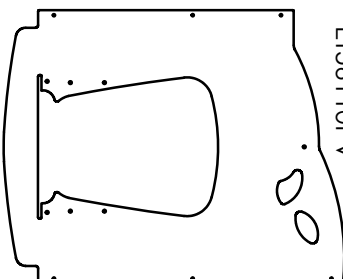




1x
ET56119CH



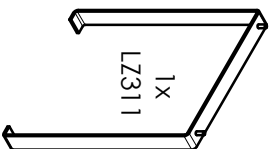
1x
ET56110PV



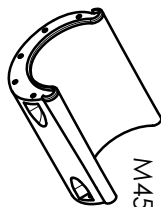
1x
LG4505



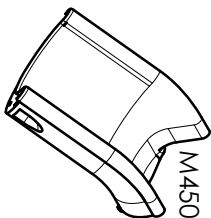
1x
LZ311



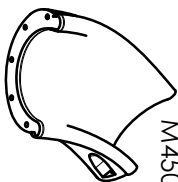
2x
M4502VX



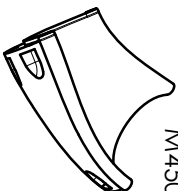
1x
M4501VX



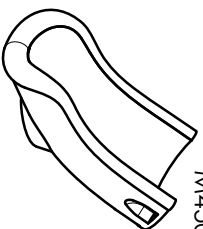
1x
M4505VX



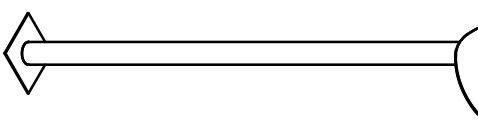
1x
M4504VX



1x
M4506



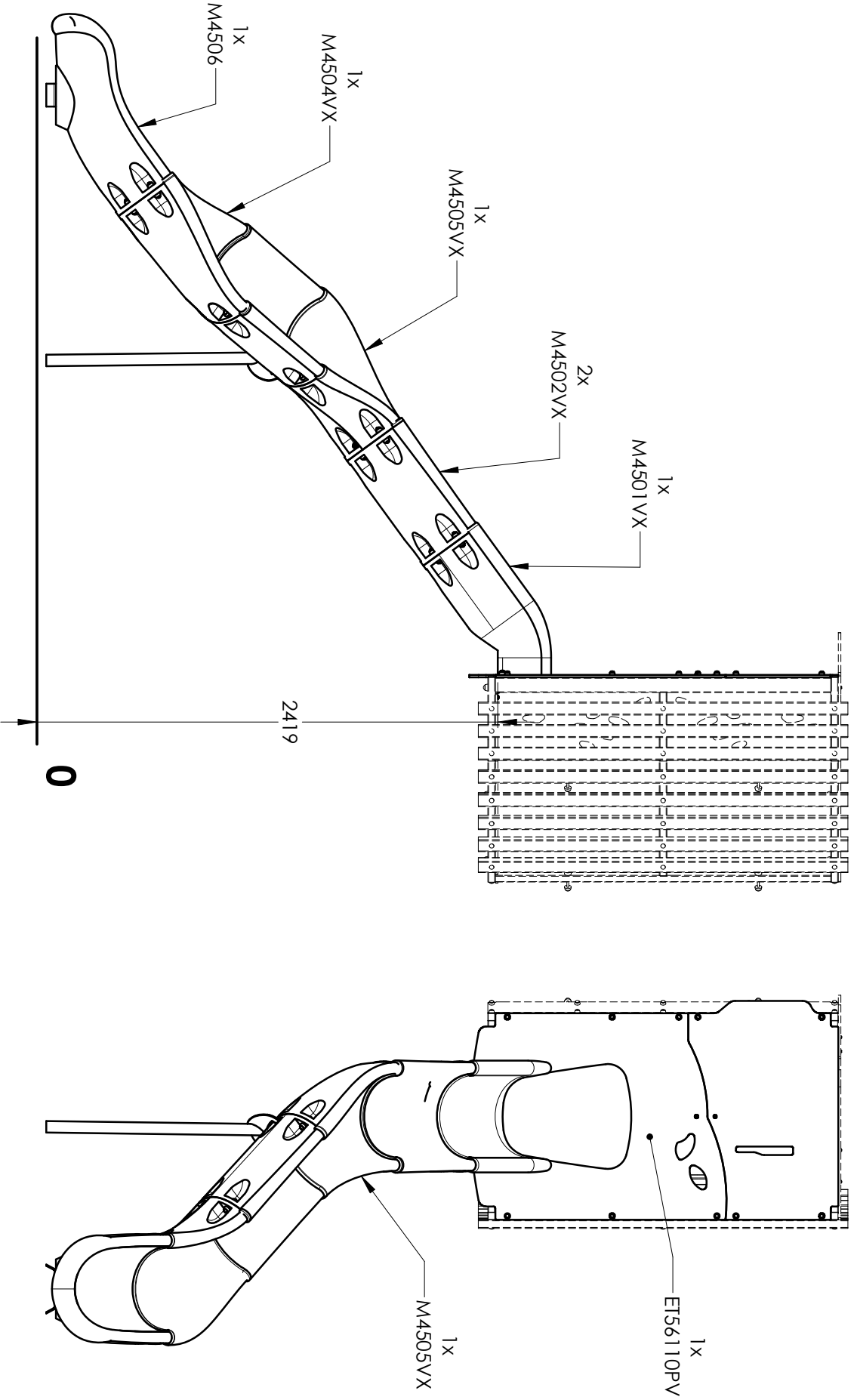
1x
LG4506



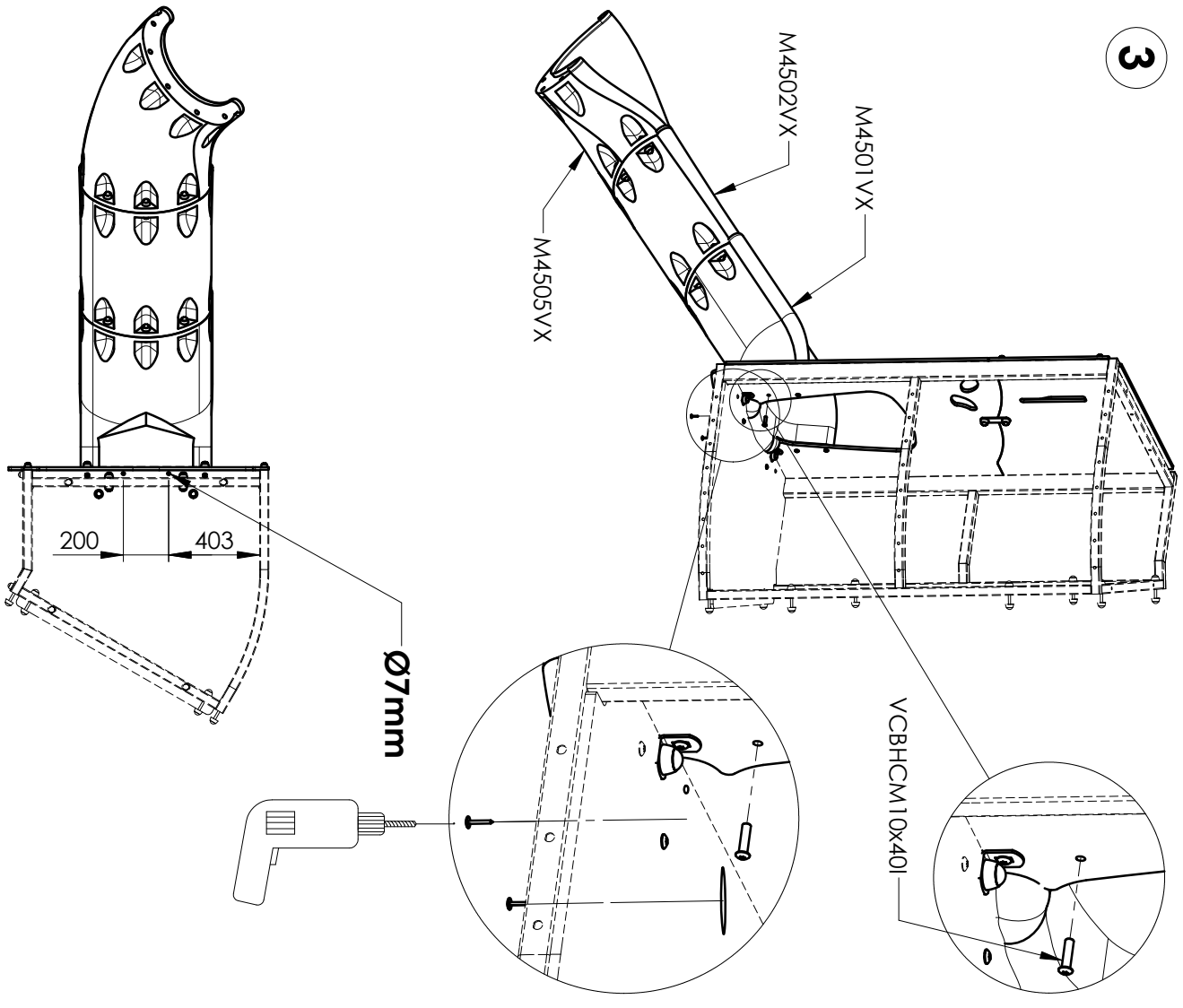
2x
P10



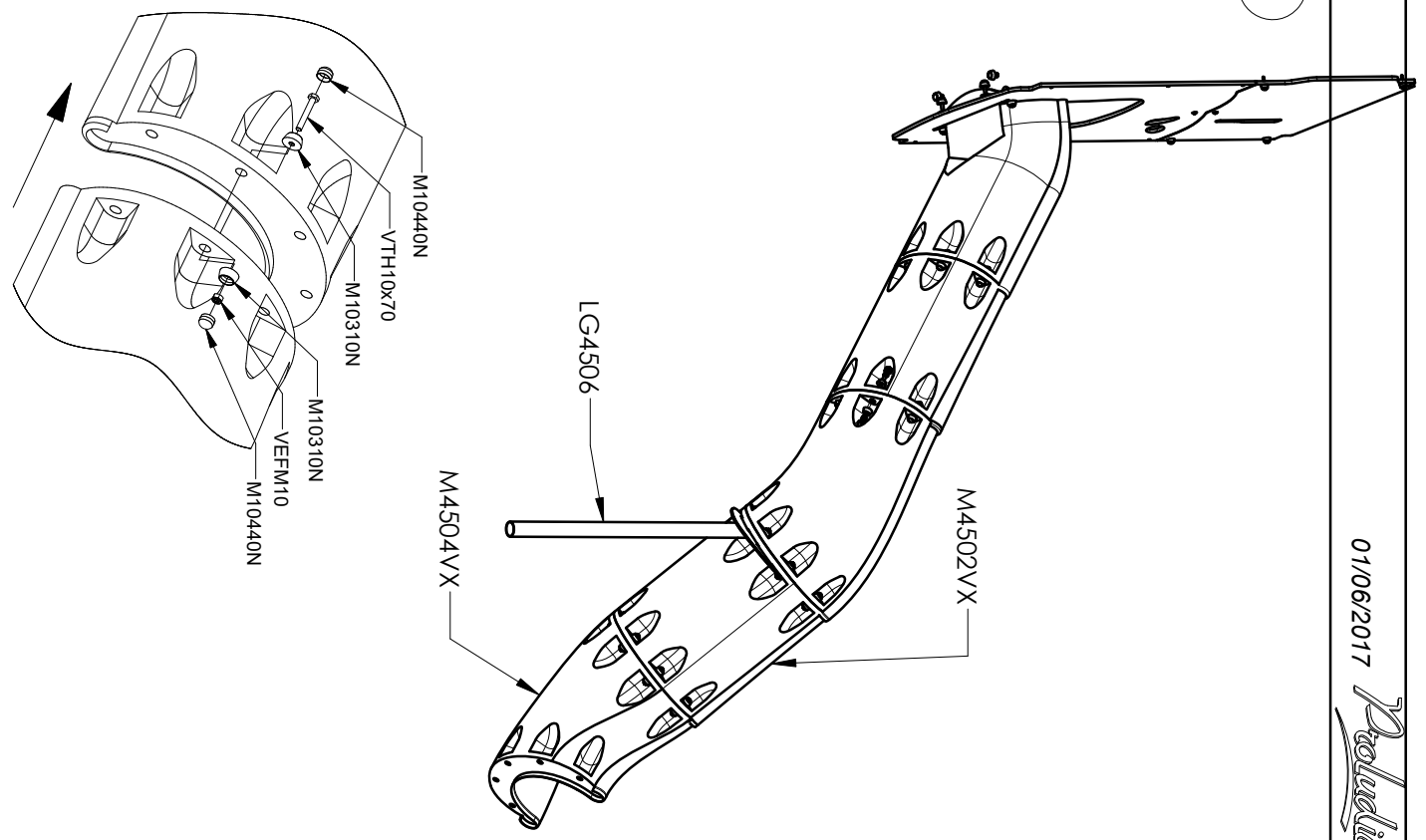
ET56110PV	1
ET56119CH	1
LG4505	1
LG4506	1
LZ311	1
M4501VX	1
M4502VX	2
M4504VX	1
M4505VX	1
M4506	1
M8310N	10
M8440N	10
M10310N	68
M10440N	68
P10	2
P180	1
VBT6x30	2
VBT6x50	5
VCBHCMI0X30I	8
VCBHCMI0X40I	4
VEFM10	39
VTH6x30A	10
VTH10x60	4
VTH10x70	25



3



4



5

