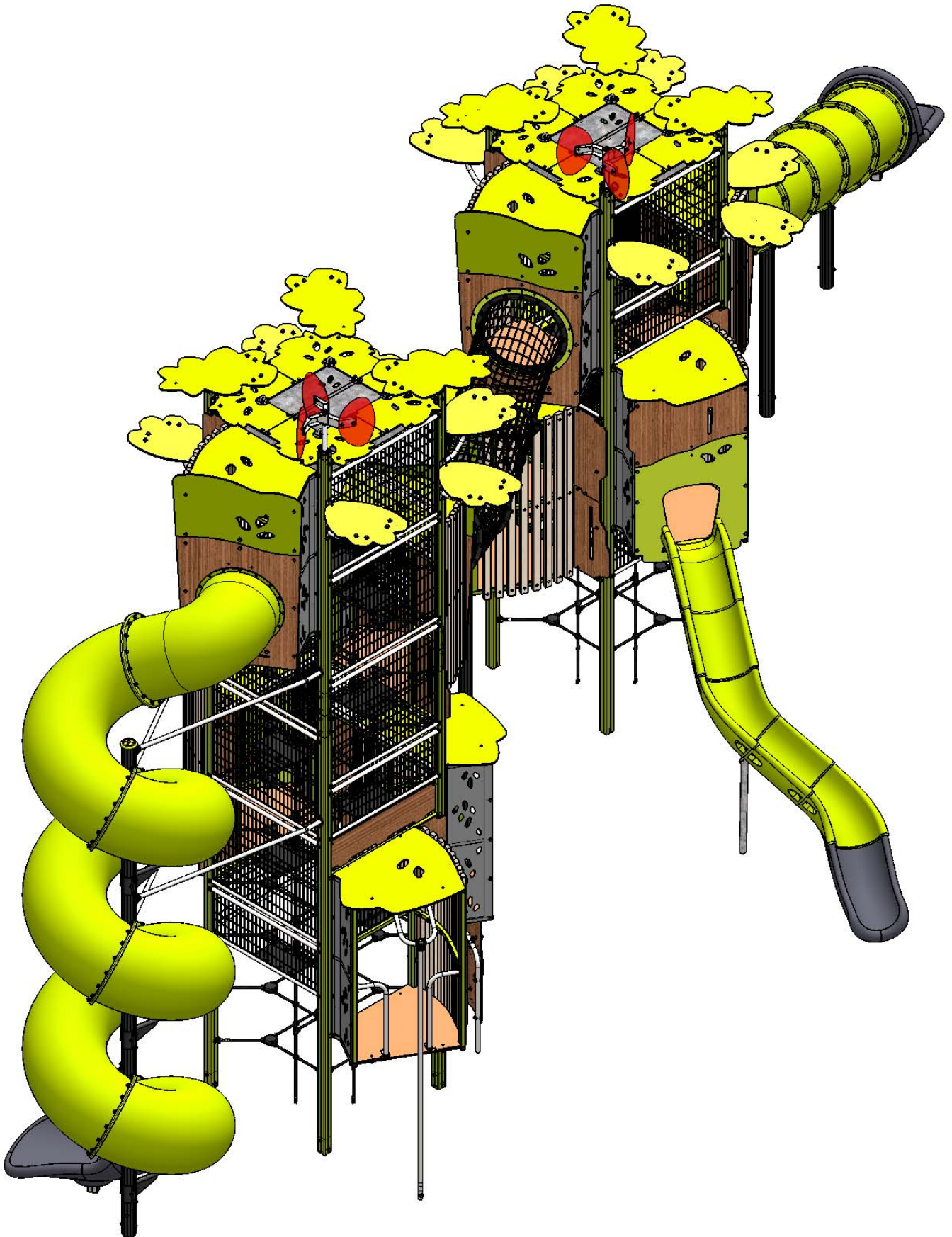
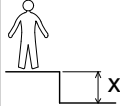
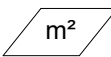


J56103

*Proludic*





N°		
1	<0.6 m	28.5 m <sup>2</sup>
2	1 m	28 m <sup>2</sup>
3	1.37 m	7.5 m <sup>2</sup>
4	1.77 m	15.5 m <sup>2</sup>
5	2.16 m	9 m <sup>2</sup>
6	2.37 m	12.5 m <sup>2</sup>

— Zone d'impact  
Impact area  
Area de impacto  
Fallraum  
Valzone

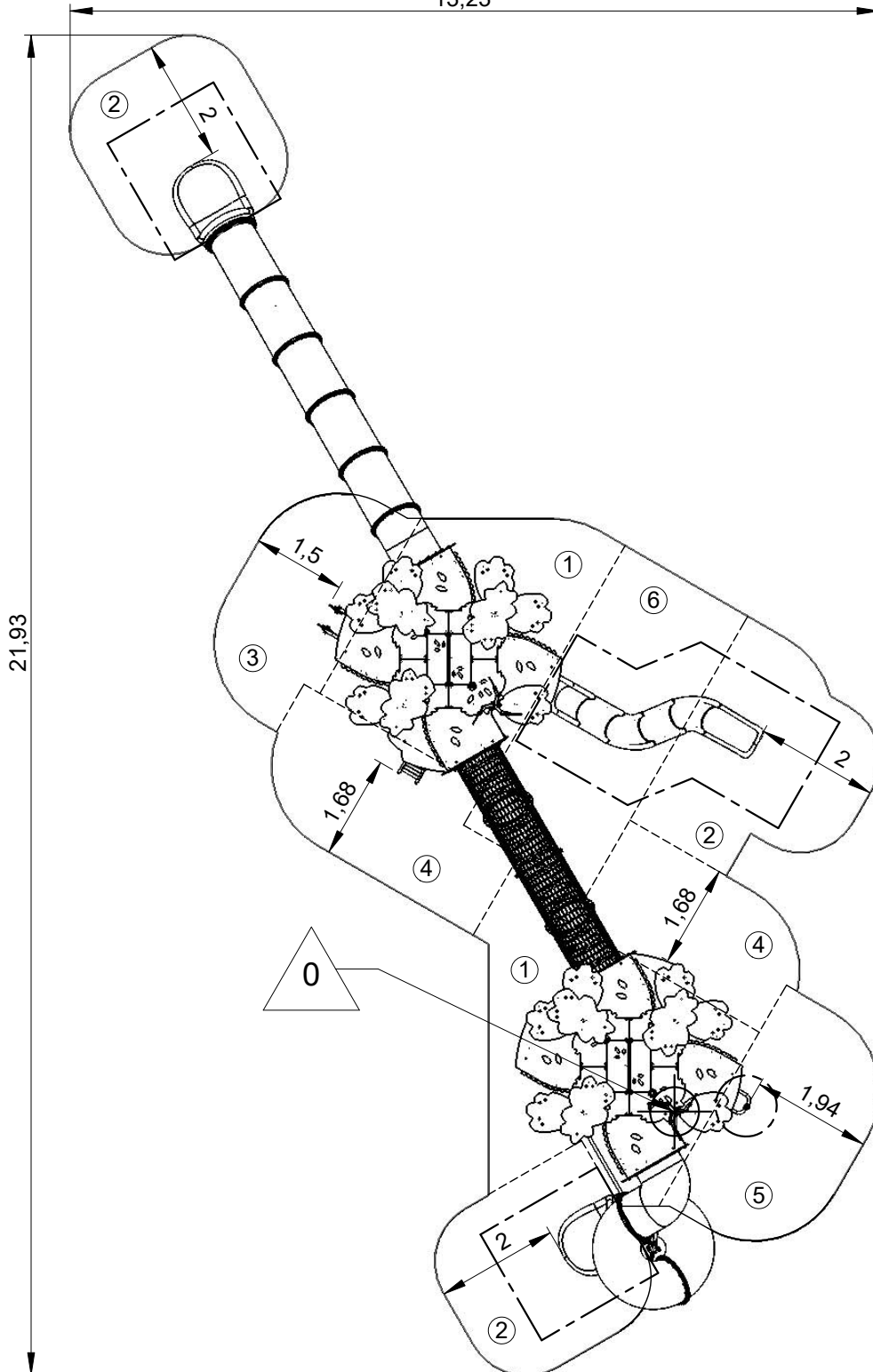


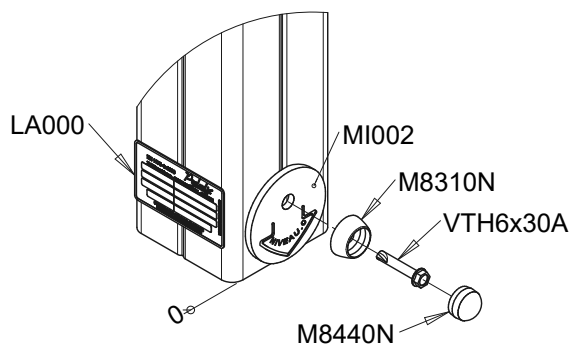
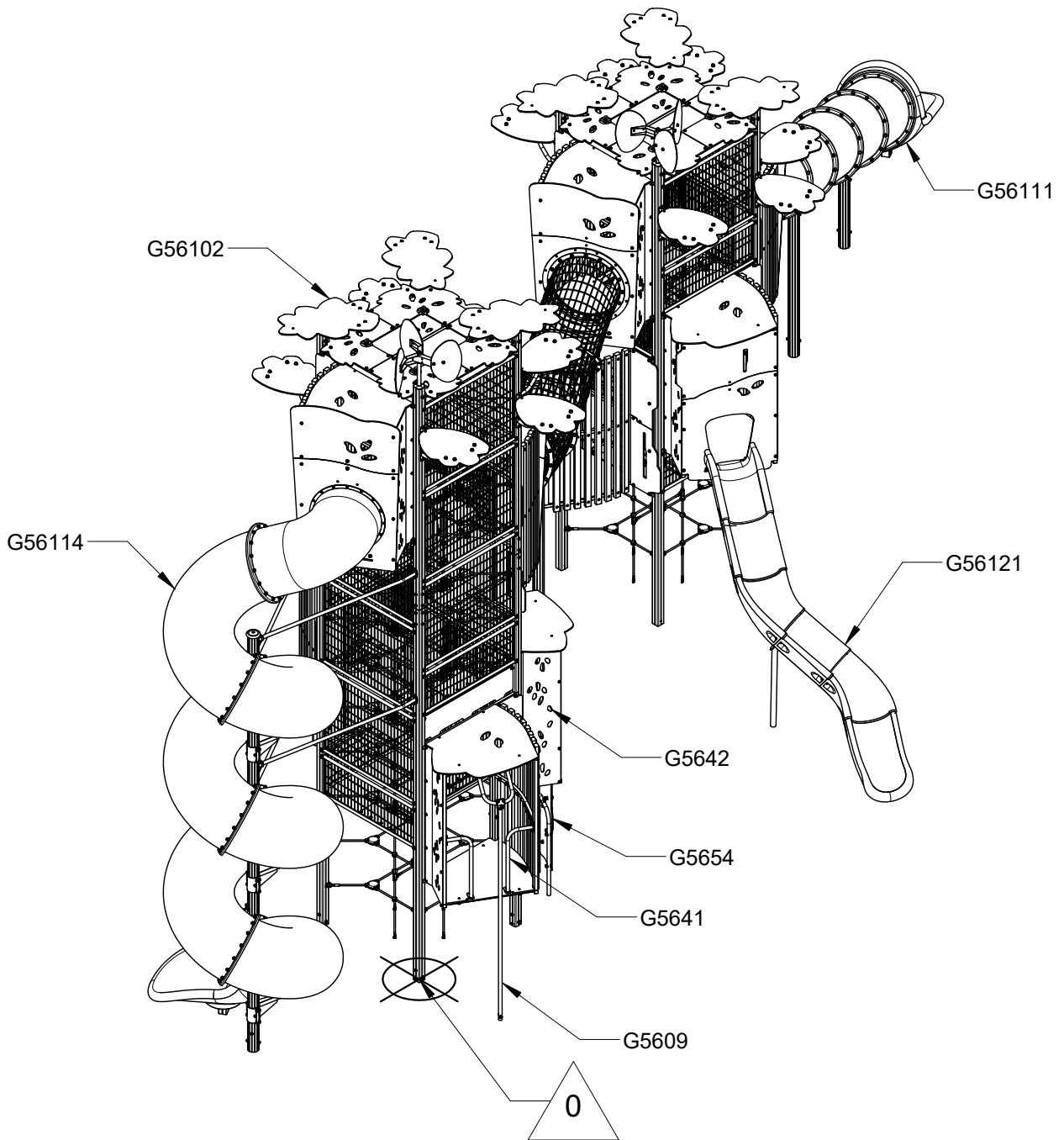
Point de référence  
Setting out point  
Punto de referencia  
Bezugspunkt  
Referentiepunt

- - - Espace libre  
Free space  
Espacio libre  
Freiraum  
Vrije ruimte

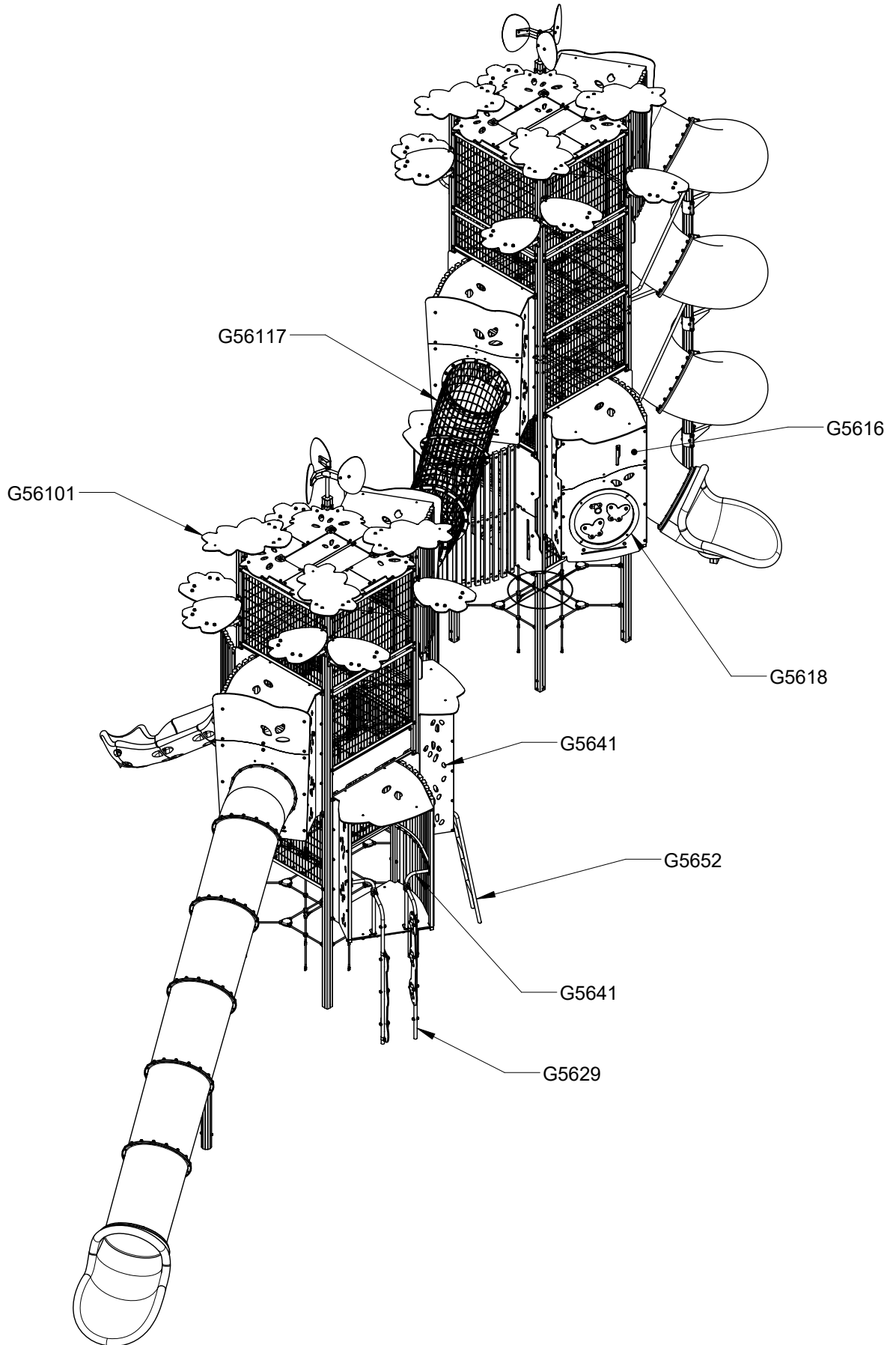
EN1176-1:2017  
EN1176-3:2017

13,23

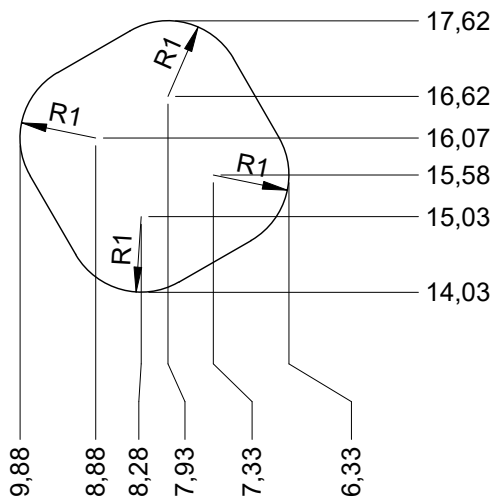




G5609A	1
G5616	1
G5618	1
G5629A	1
G5641	3
G5642	1
G5652A	1
G5654A	1
G56101A	1
G56102A	1
G56111A	1
G56114A	1
G56117A	1
G56121A	1

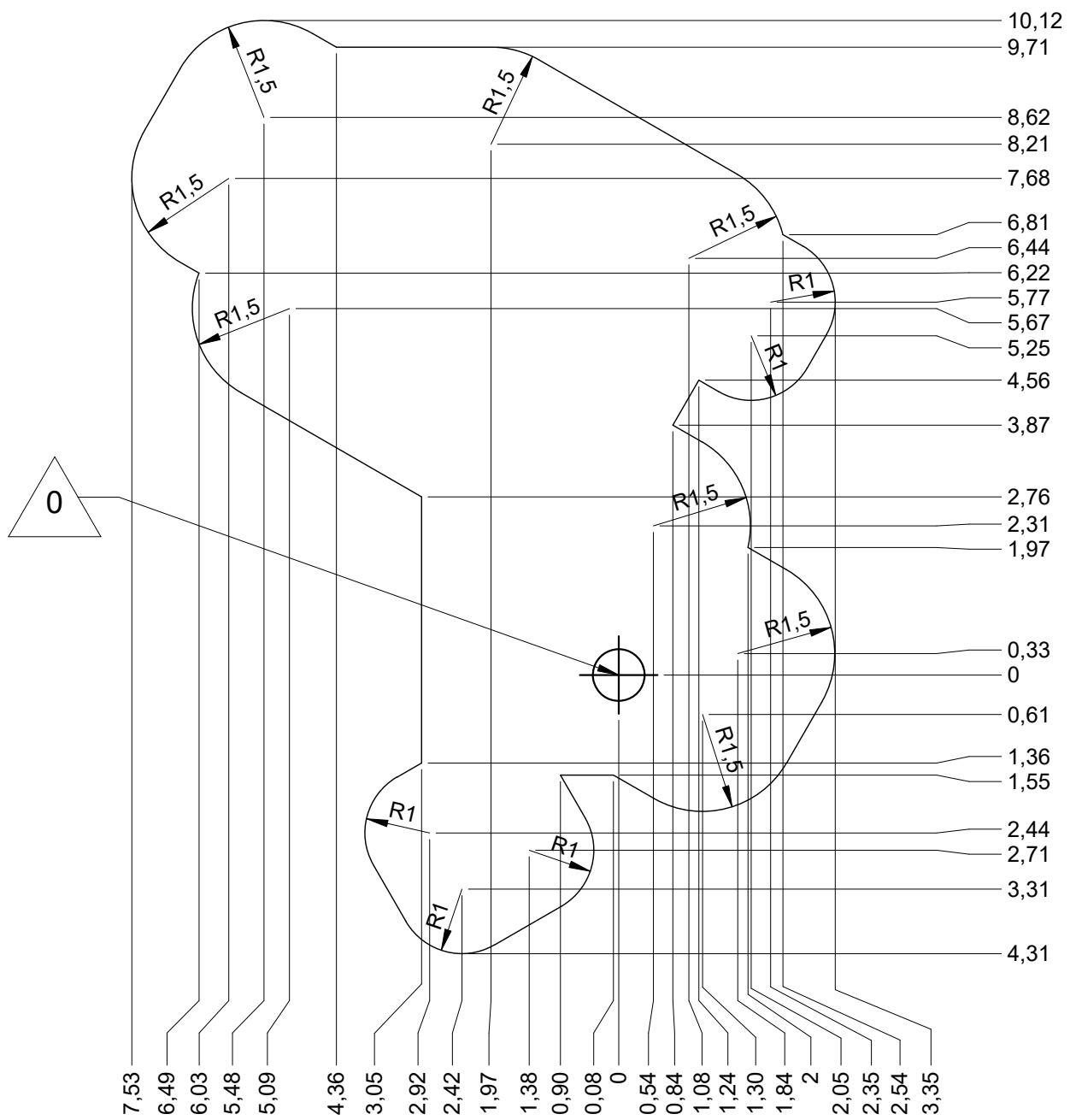






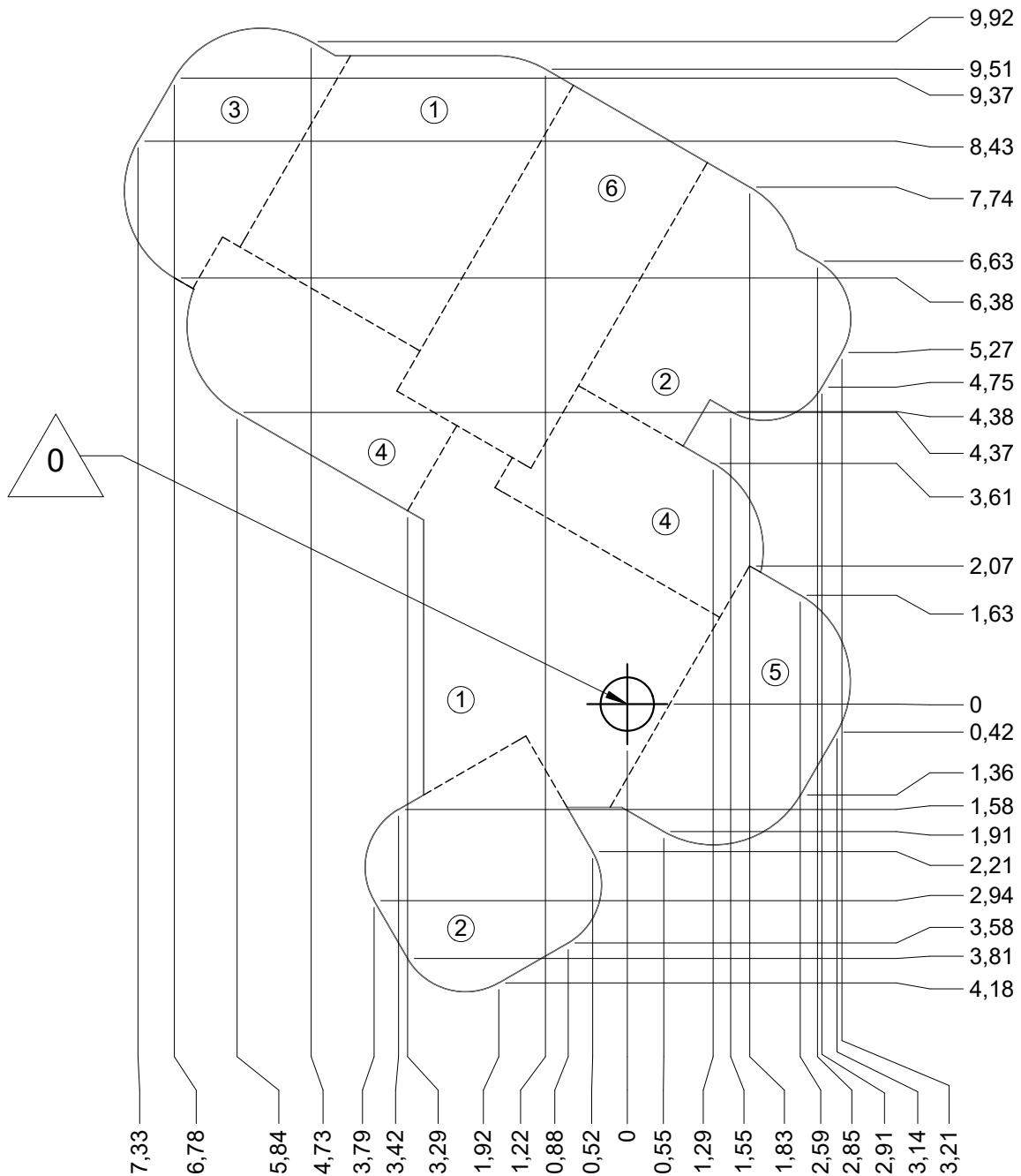
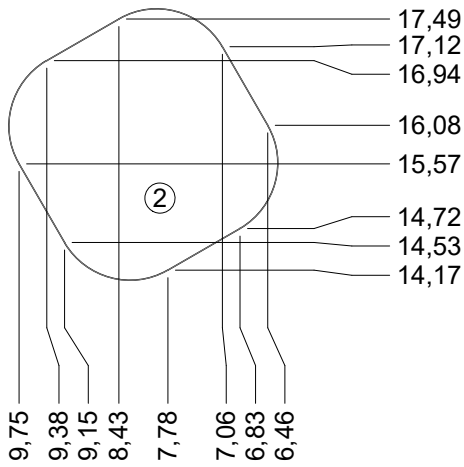
— Zone d'impact  
Impact area  
Area de impacto  
Fallraum  
Valzone

101 m<sup>2</sup>



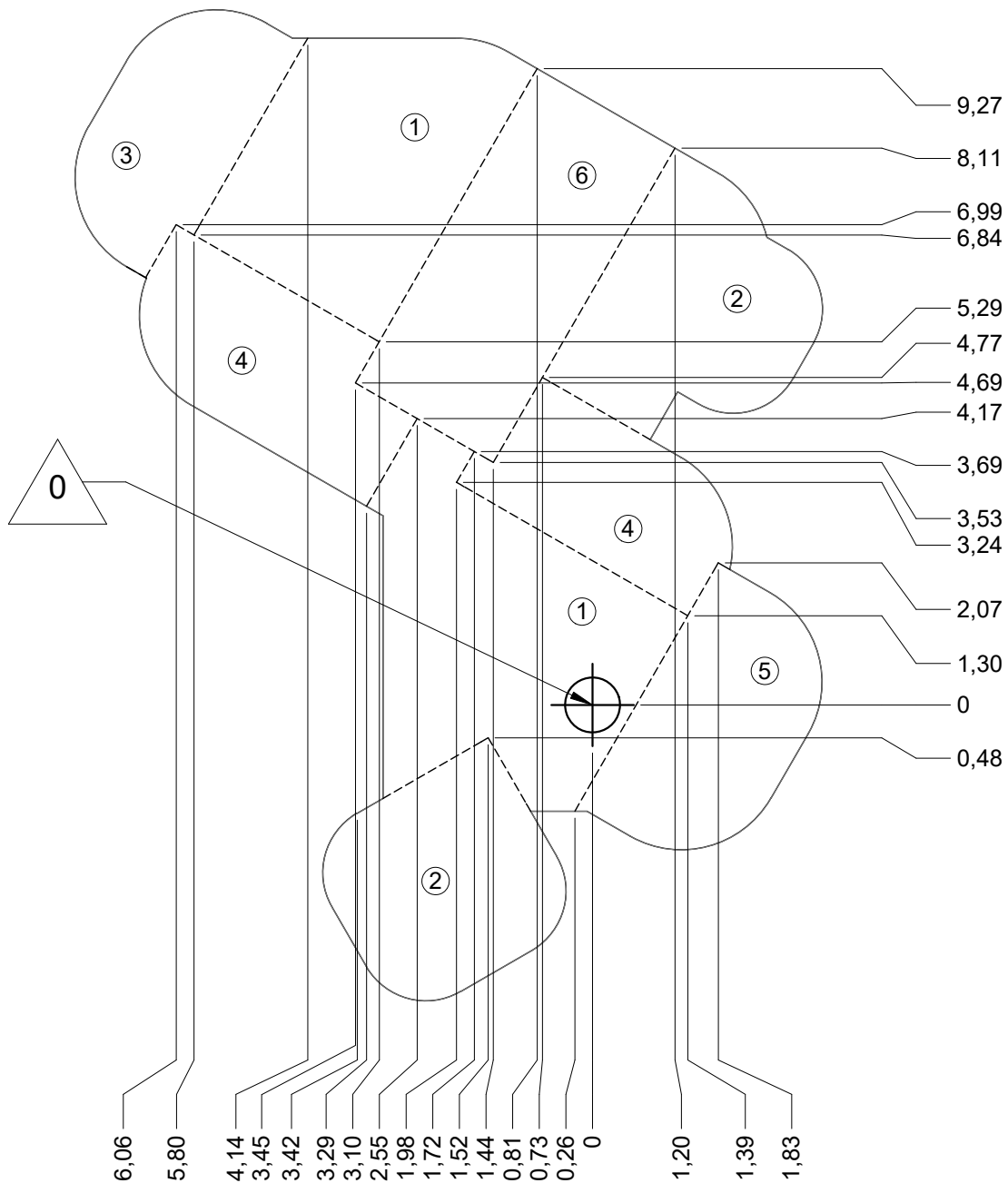
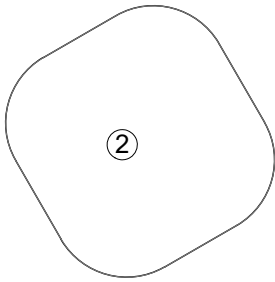
101 m<sup>2</sup>

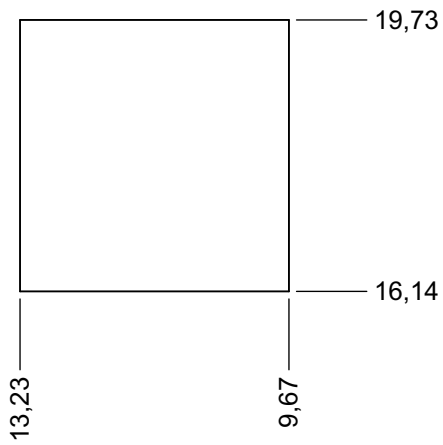
- Sol souple
- Wetpour
- Caucho continuo
- Synthetischer fallschutz
- Gietvloer



101 m<sup>2</sup>

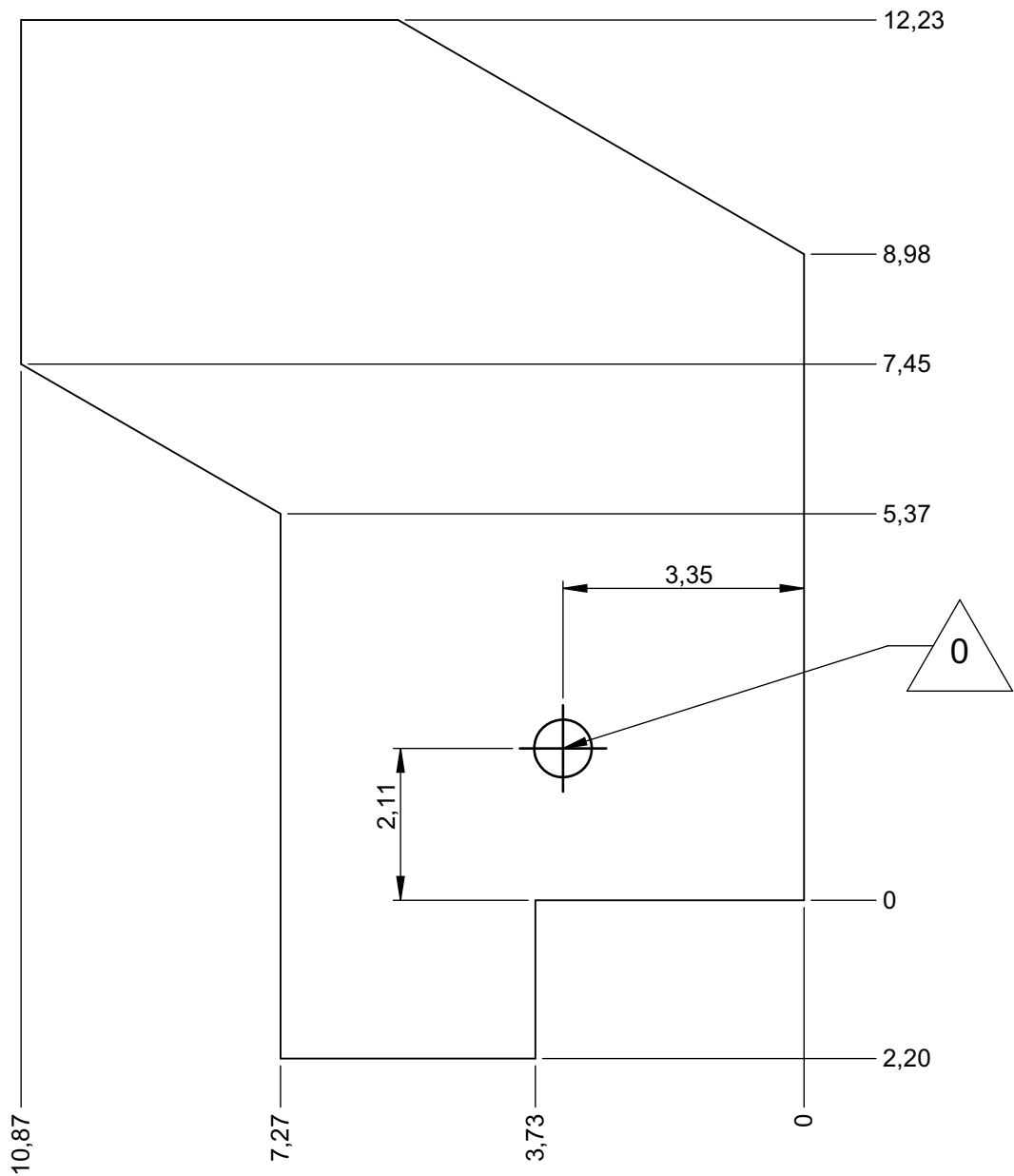
- Sol souple
- Wetpour
- Caucho continuo
- Synthetischer fallschutz
- Gietvloer

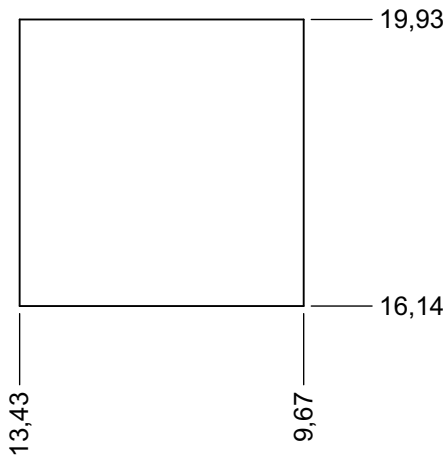




— Dalle béton  
Concrete pad  
Solera de hormigon  
Beton bodenplatte  
Betonnen bodemplaat

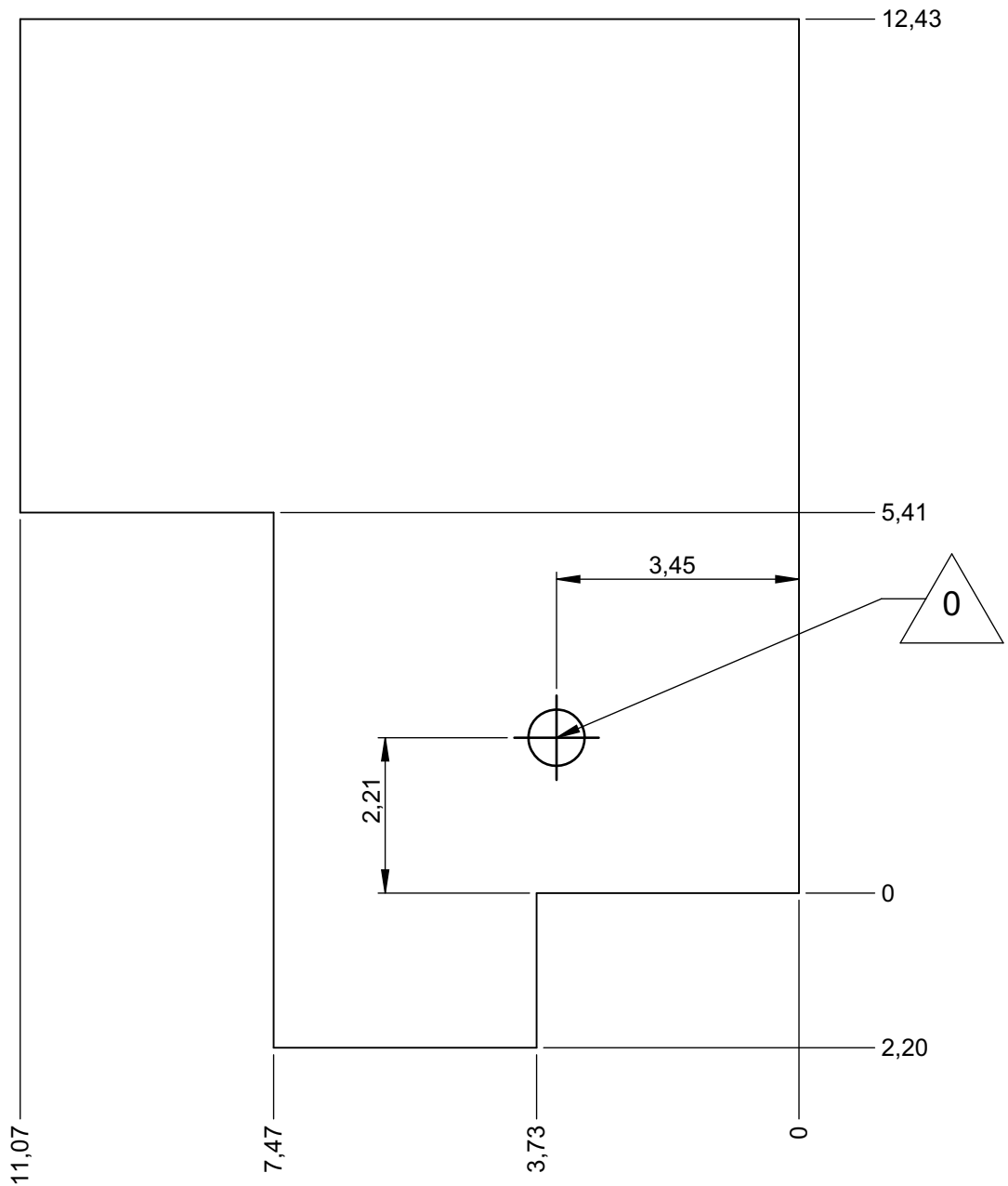
61 m  
122 m<sup>2</sup>

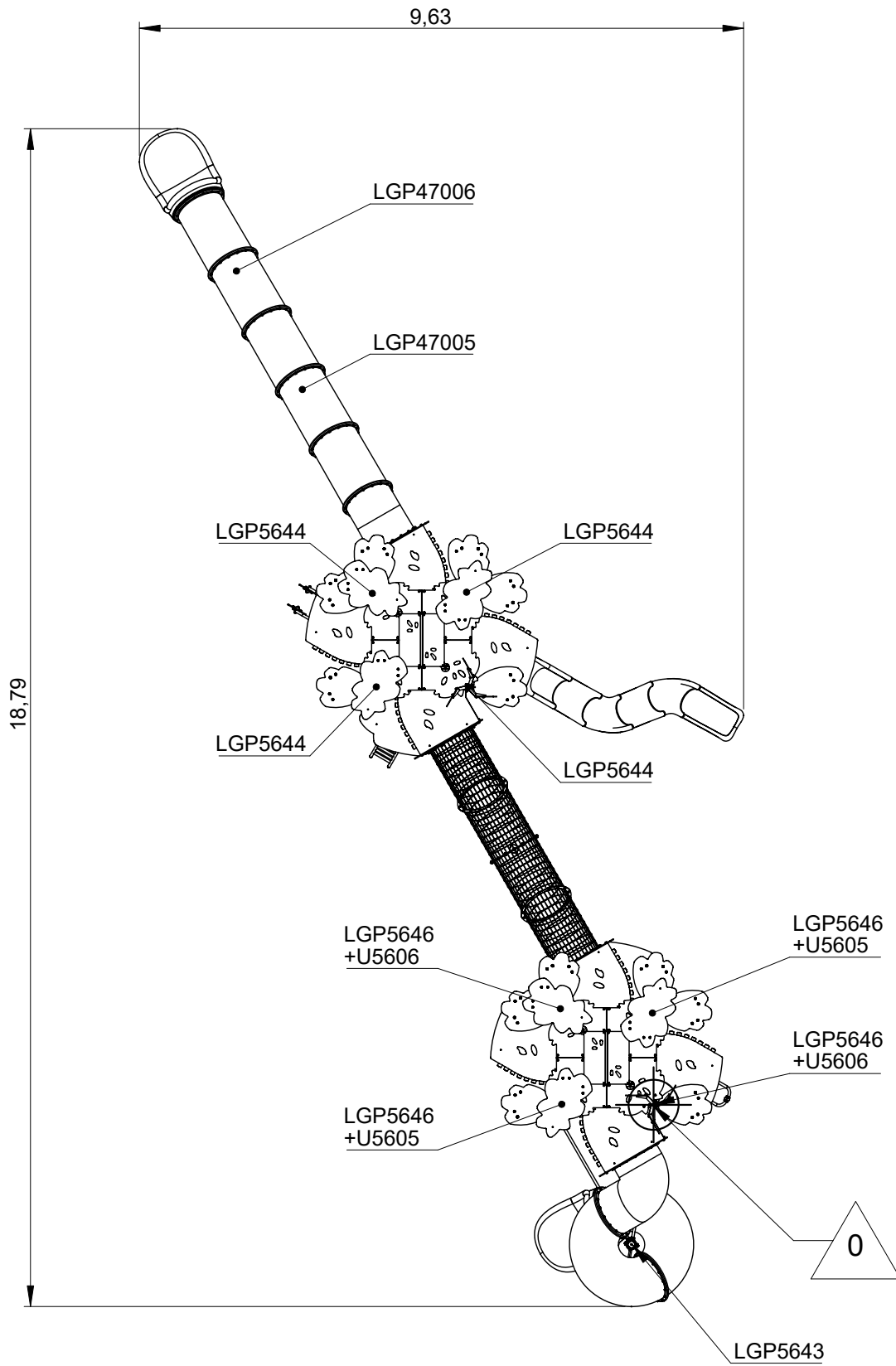




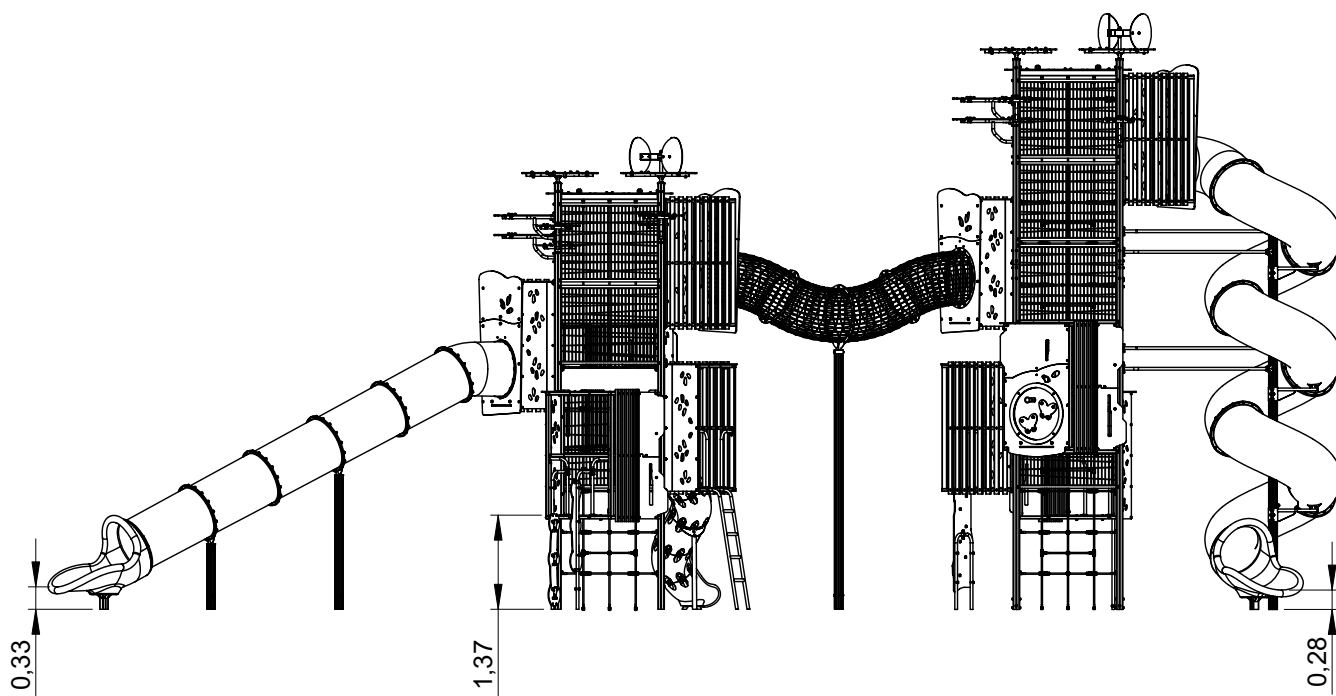
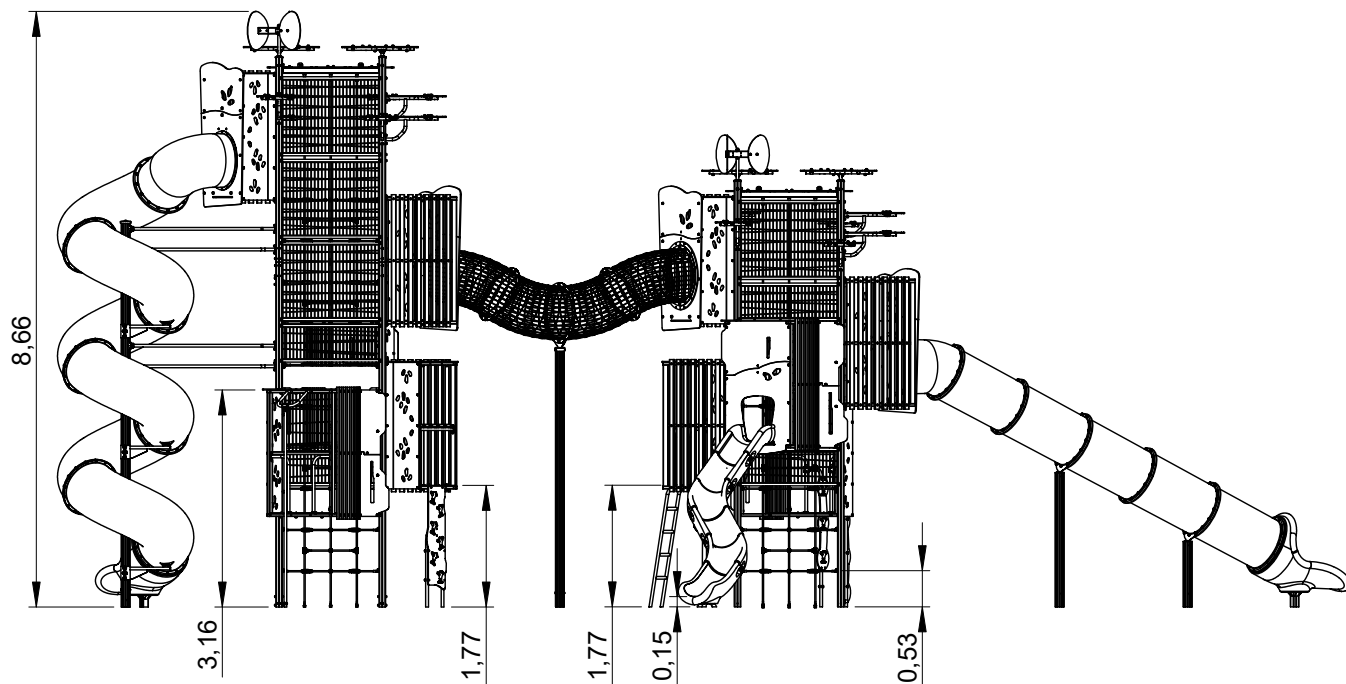
— Sol fluent  
 — Loos partucule material  
 — Arenero  
 — Loses Bodenmaterial  
 — Los bodemmateriaal

**68 m**  
**141 m<sup>2</sup>**





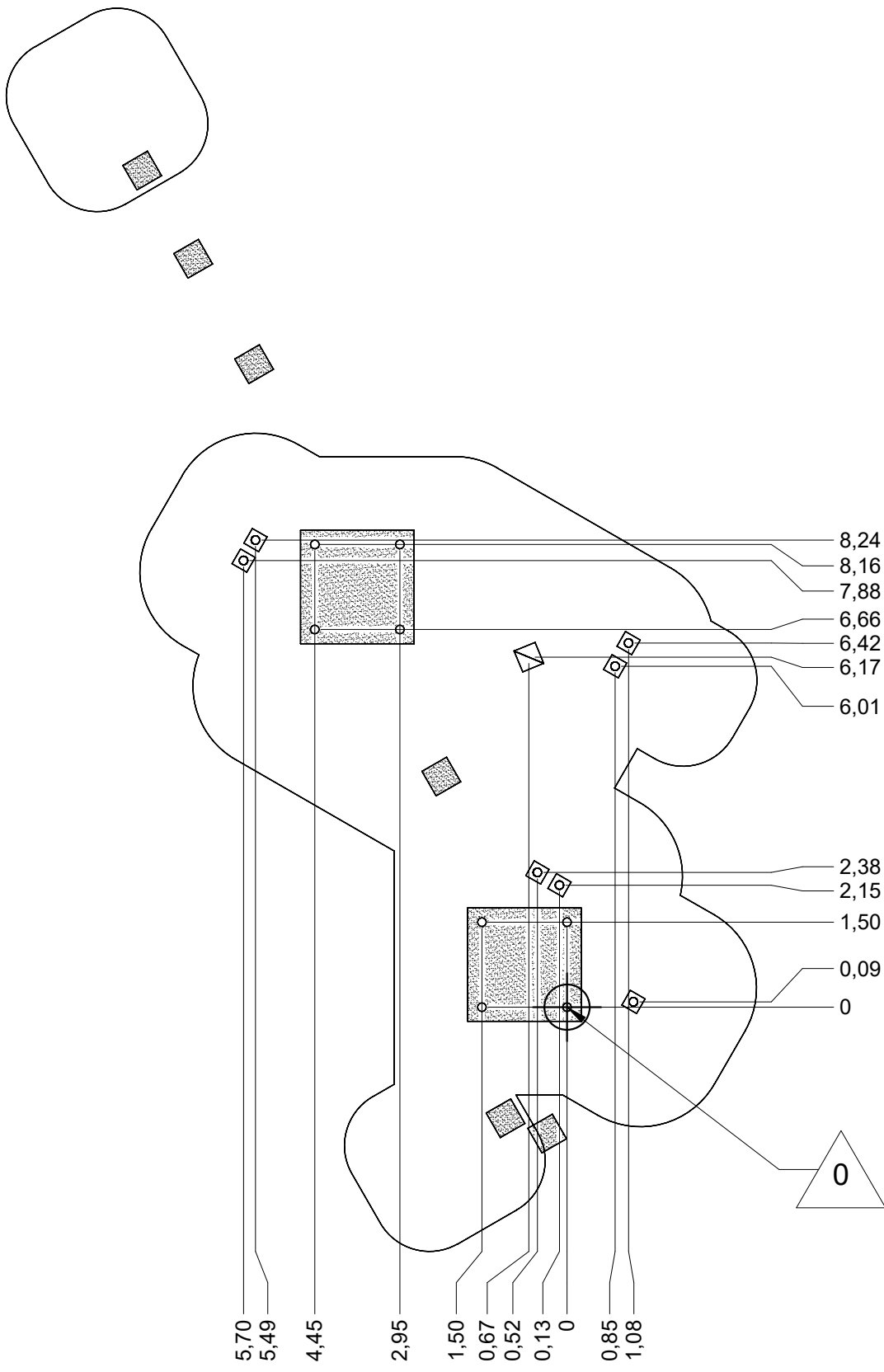





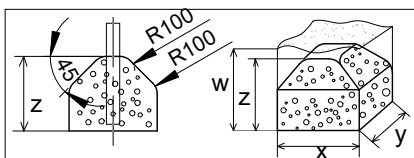
# J56103A

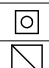
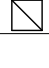
*Proludic*

Implantation  
 Footing plan  
 Implantación  
 Fundamentplan  
 Funderingstekening



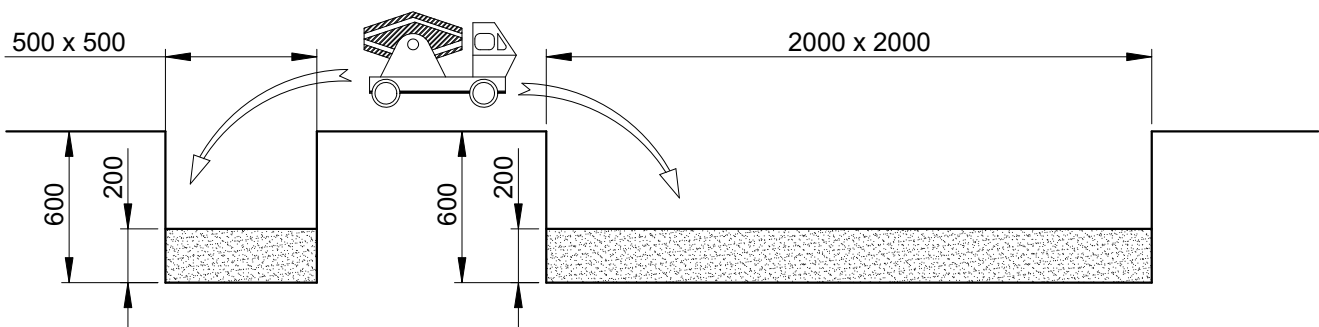
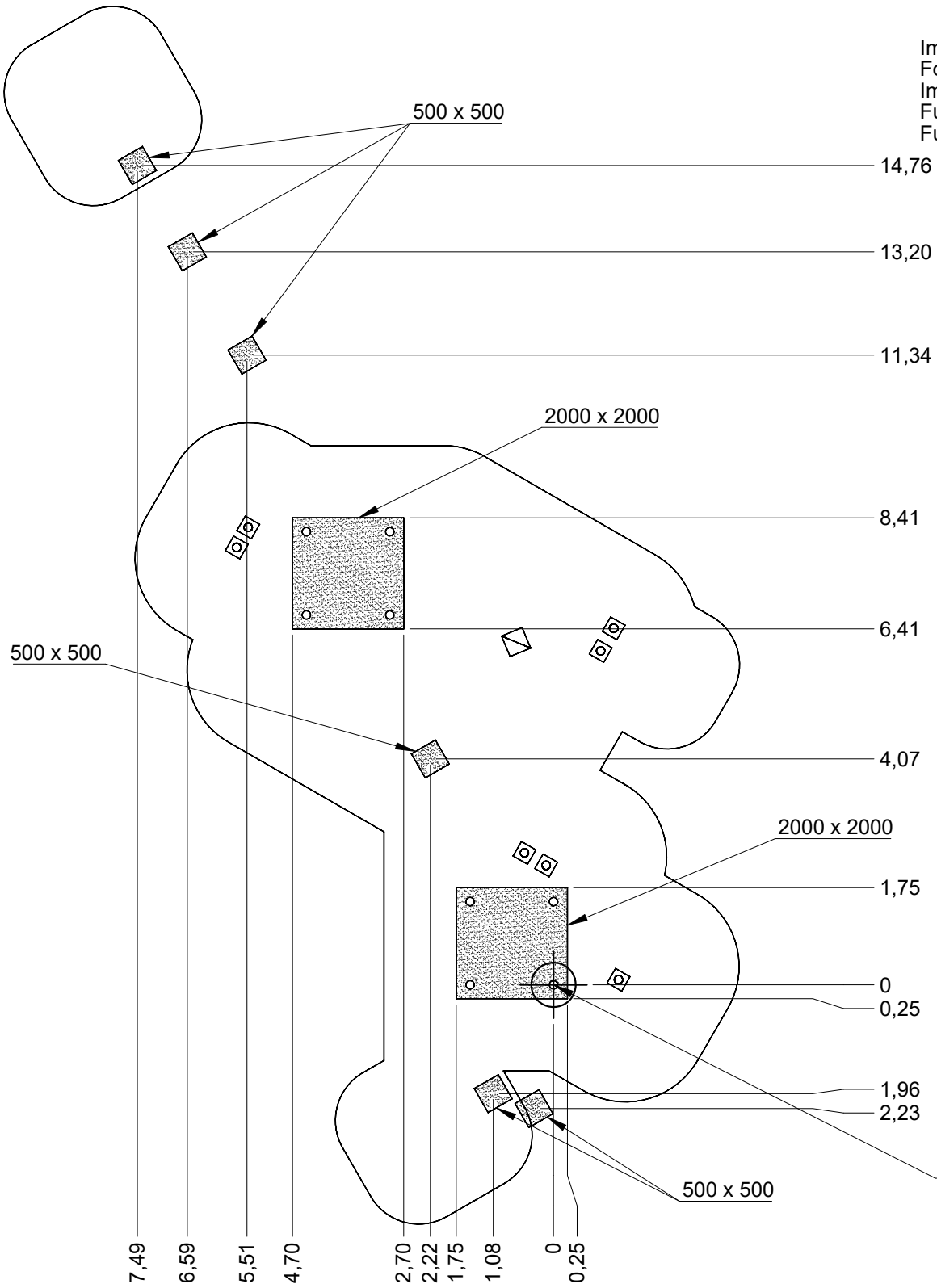
 x3  
 55H  
 2.5 m<sup>3</sup>



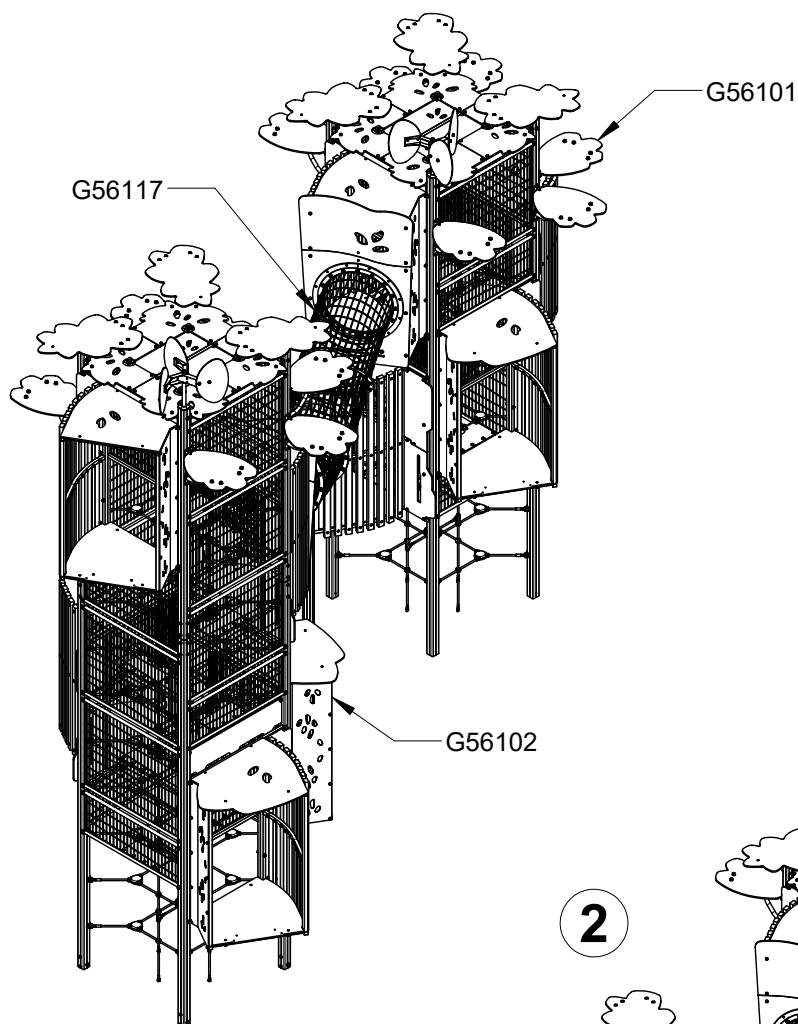
	x	y	z	w
	0.3	0.3	0.3	0.6
	0.4	0.4	0.3	0.6

# J56103A

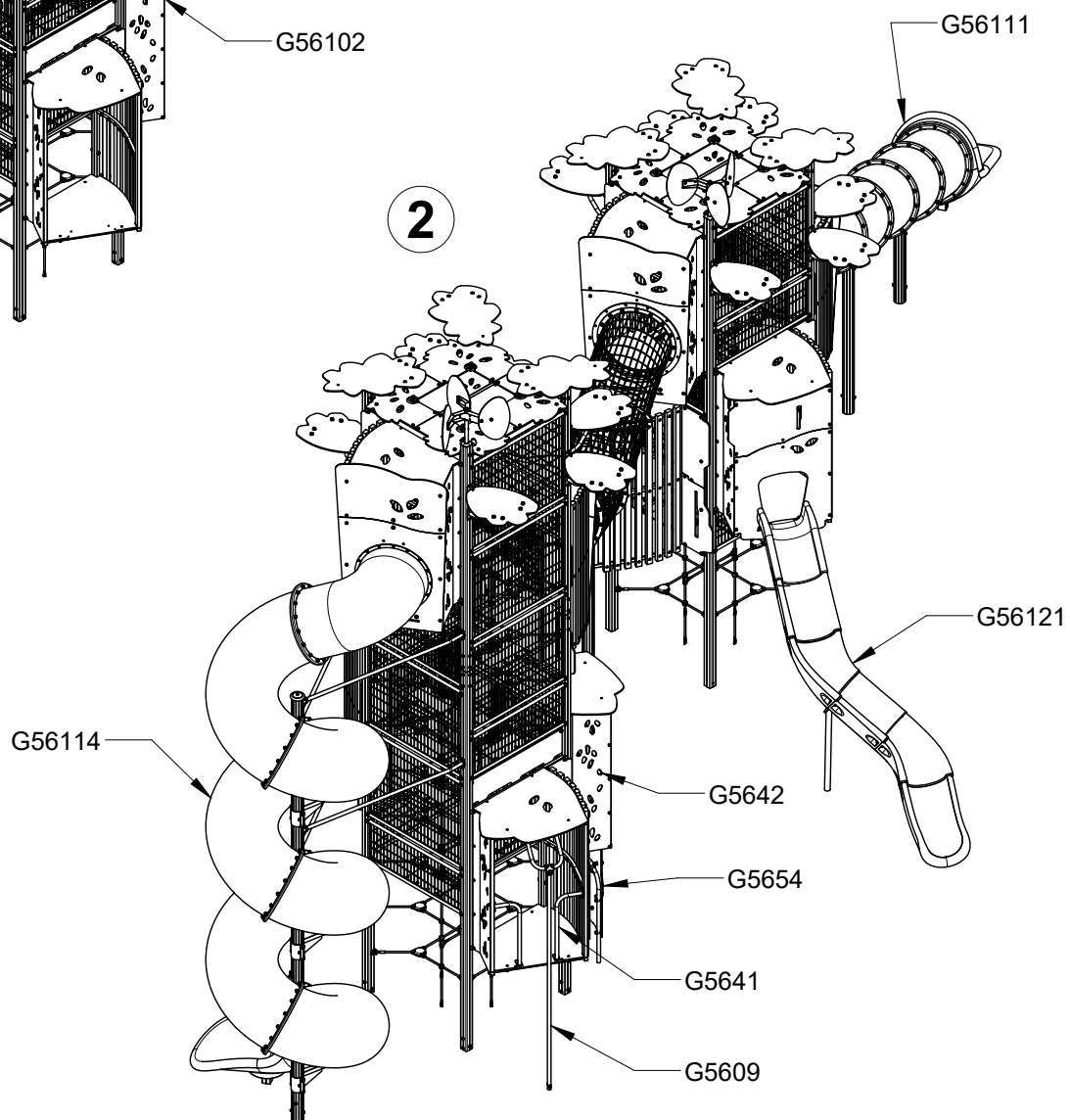
Implantation  
 Footing plan  
 Implantación  
 Fundamentplan  
 Funderingstekening



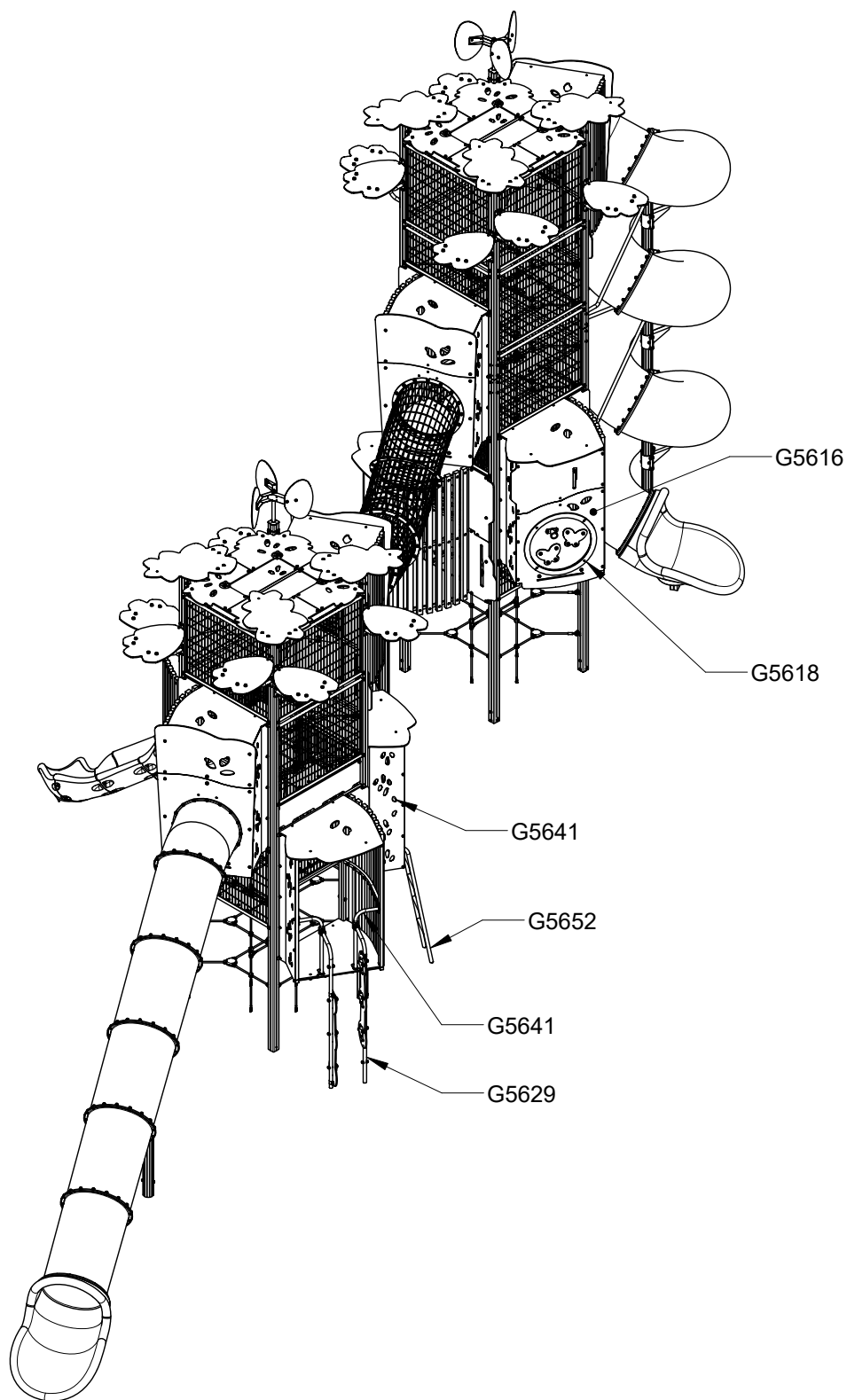
1

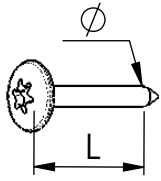


2

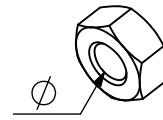


3

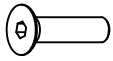




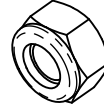
VBT 6 x 30  
 $\varnothing$  L (mm)



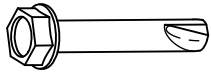
VEC M10  
 $\varnothing$



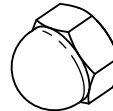
VFHC



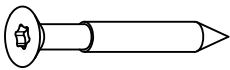
VEF



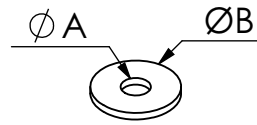
VTHA



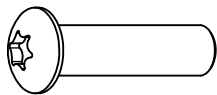
VEB



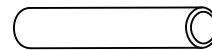
VWT



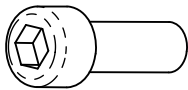
VR6x18  
 $\varnothing A$   $\varnothing B$



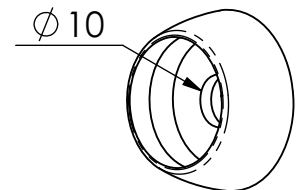
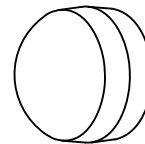
VCBHC



VGC

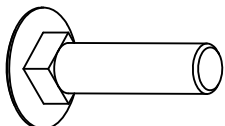


VBTR

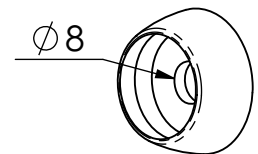
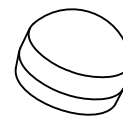


M10 440N

M10 310 N

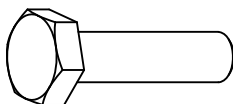


VTRCC

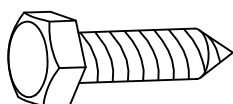


M8440N

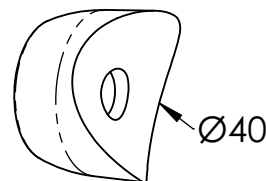
M8310N



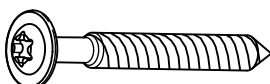
VTH



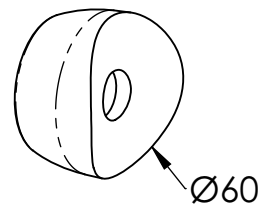
VTF



MI2503

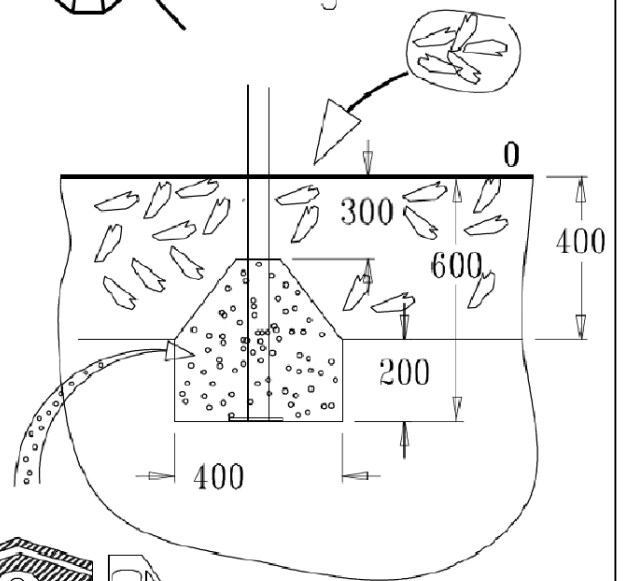
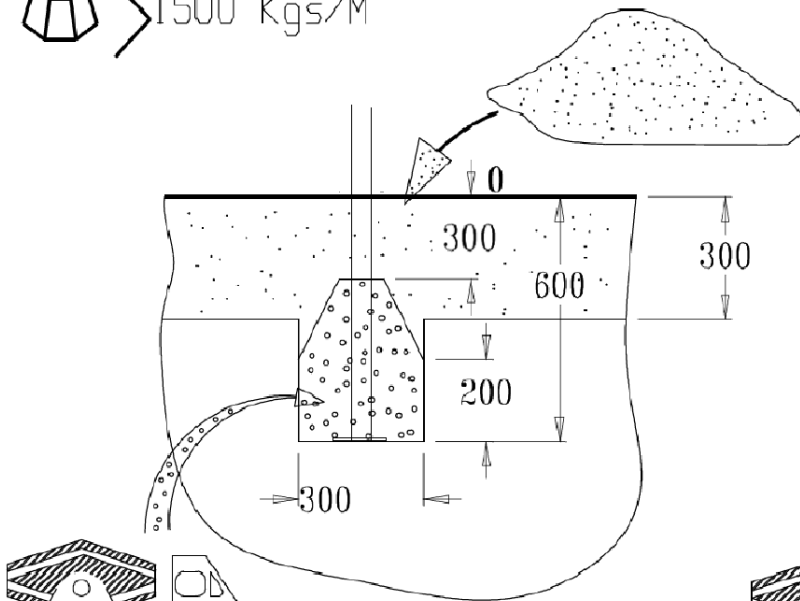
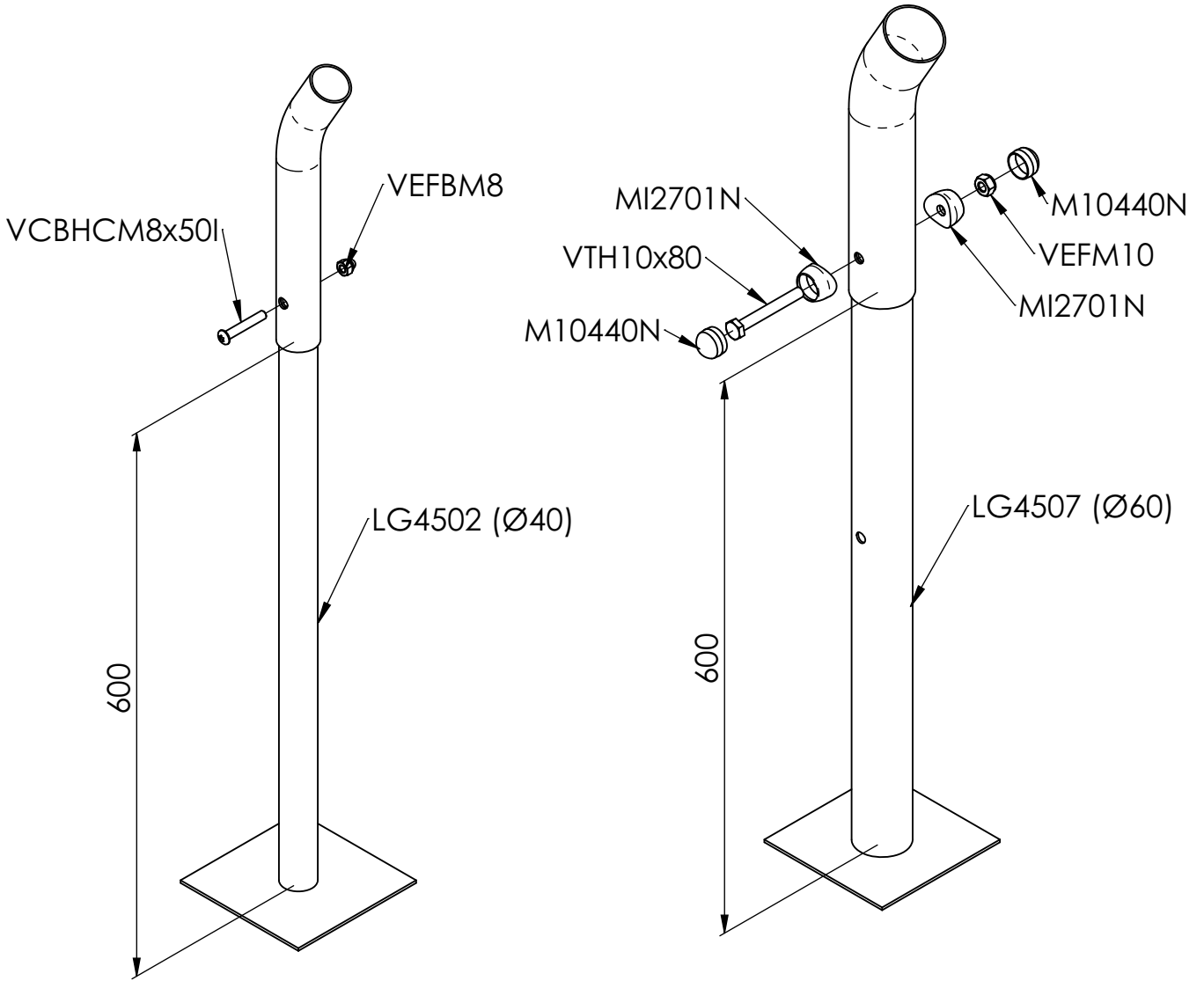


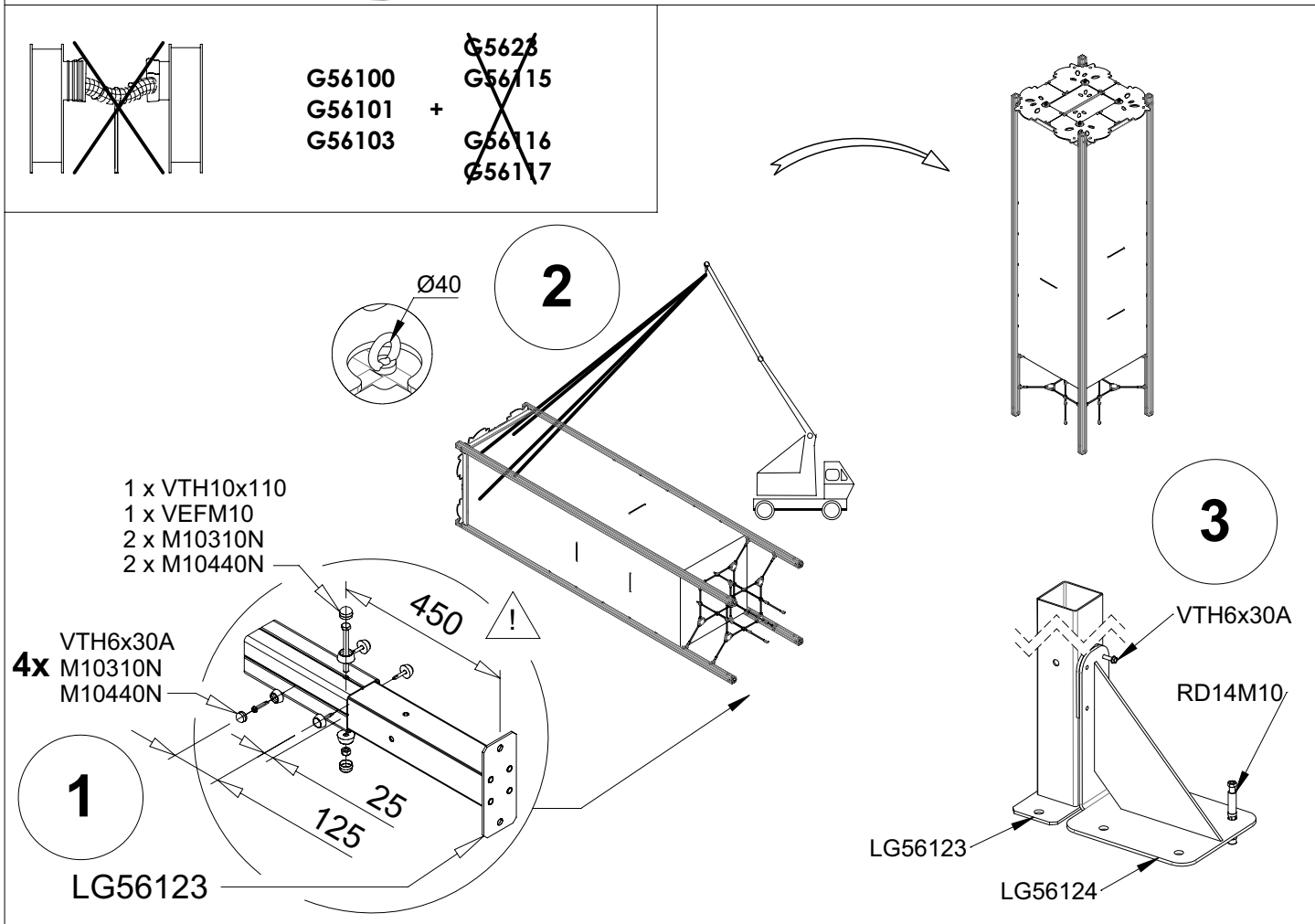
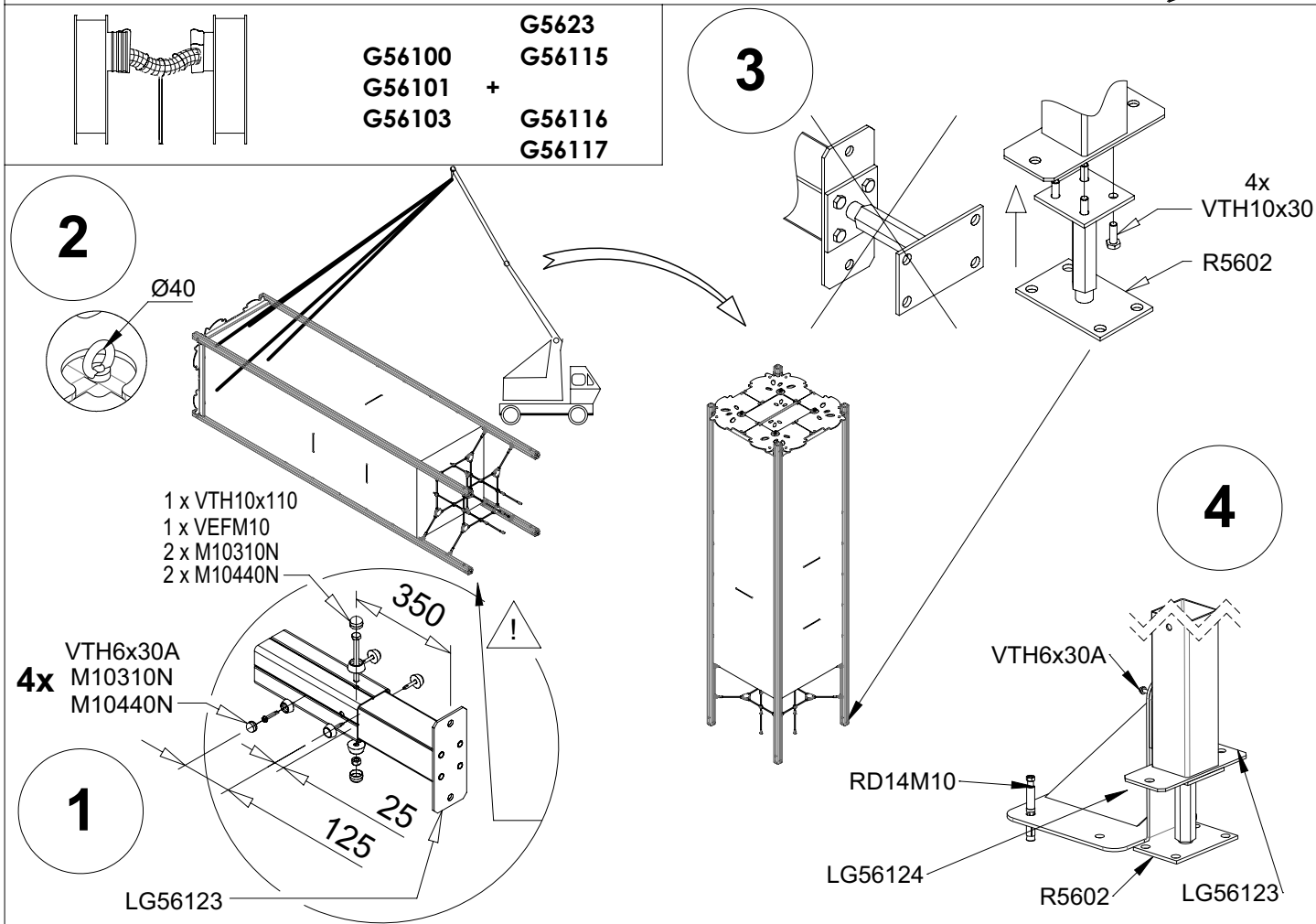
VBT

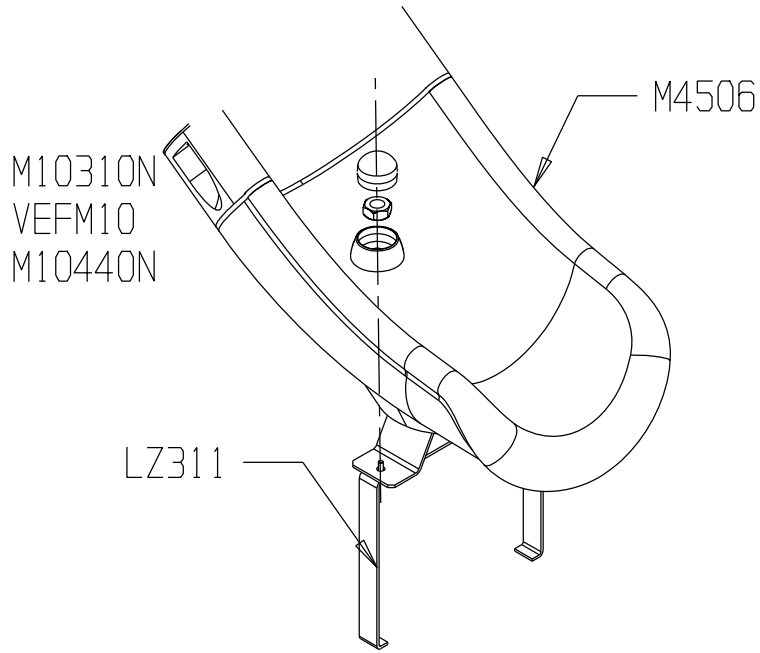


MI2701

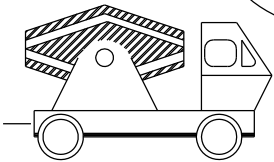
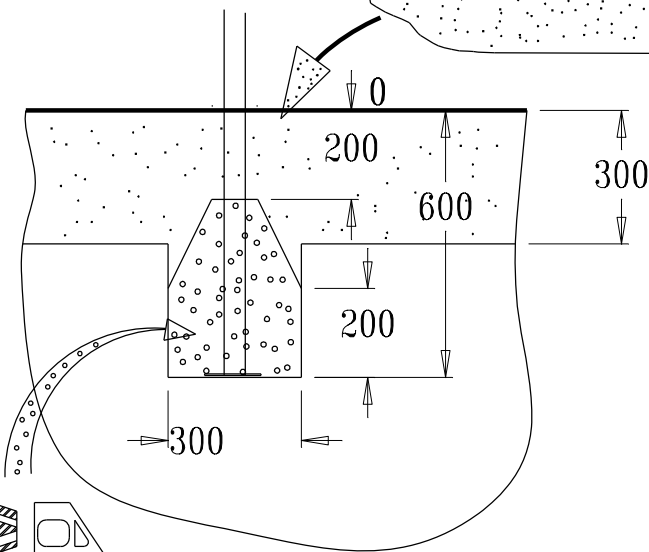
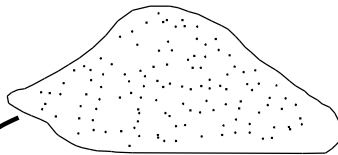








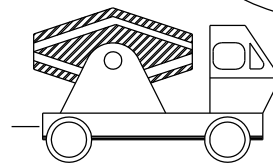
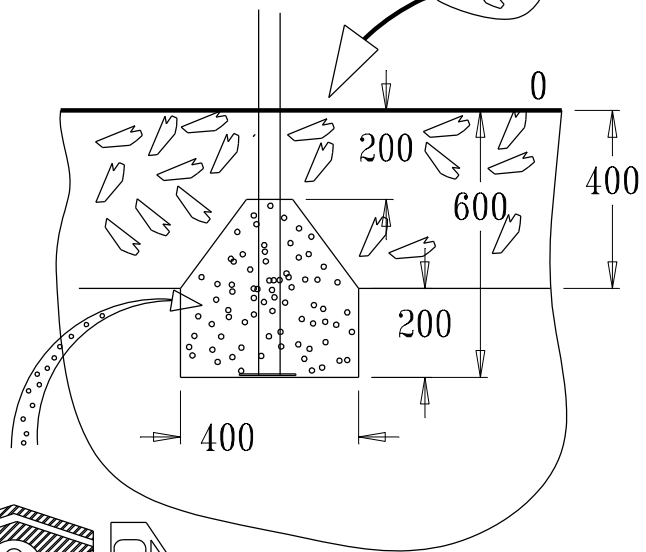
> 1500 Kgs/M<sup>3</sup>



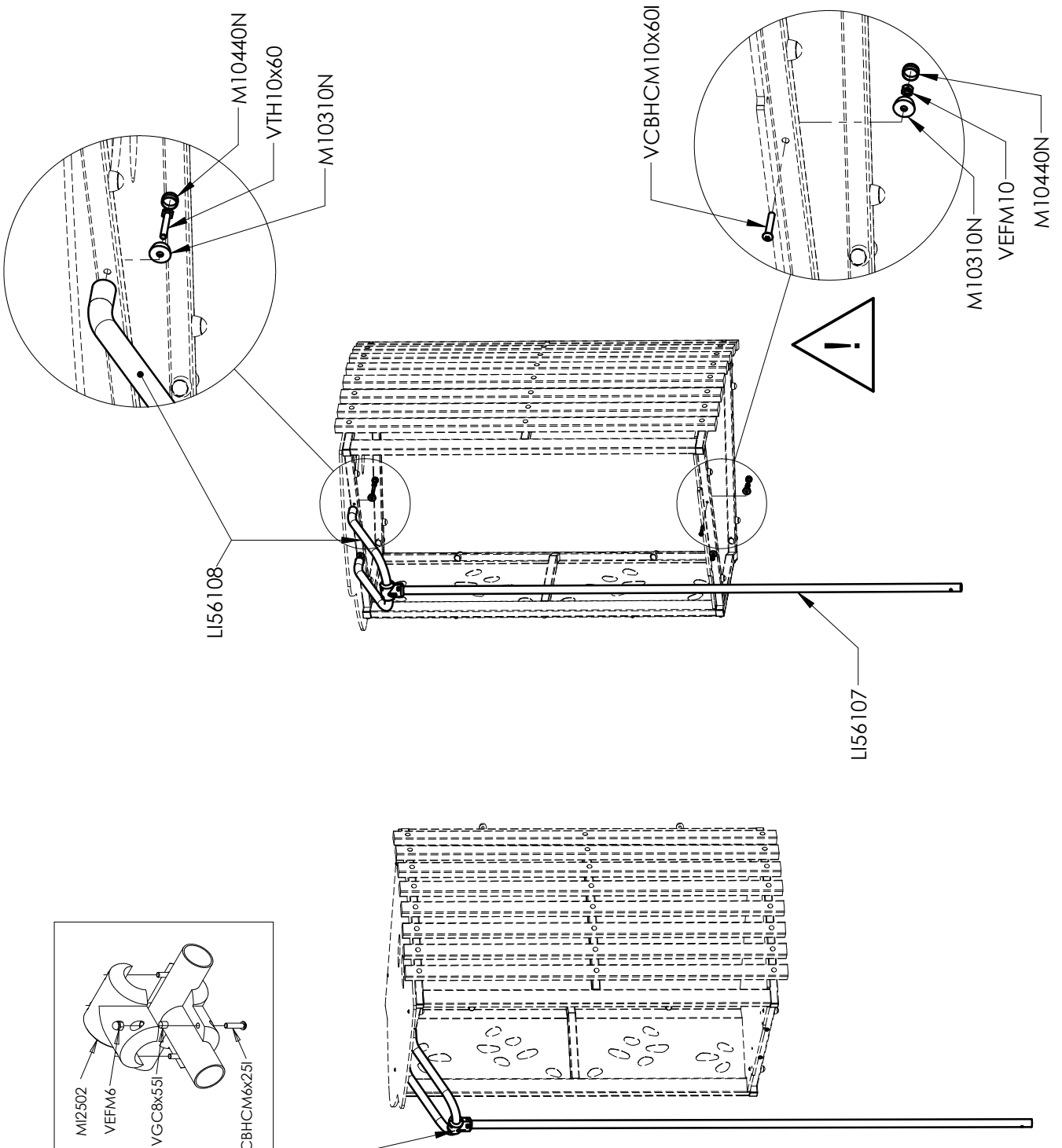
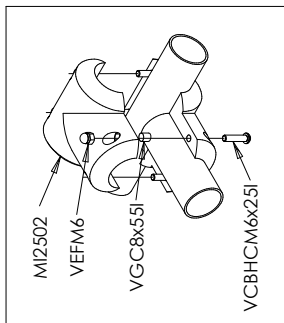
50 Kgs



< 1500 Kgs/M<sup>3</sup>



90 Kgs

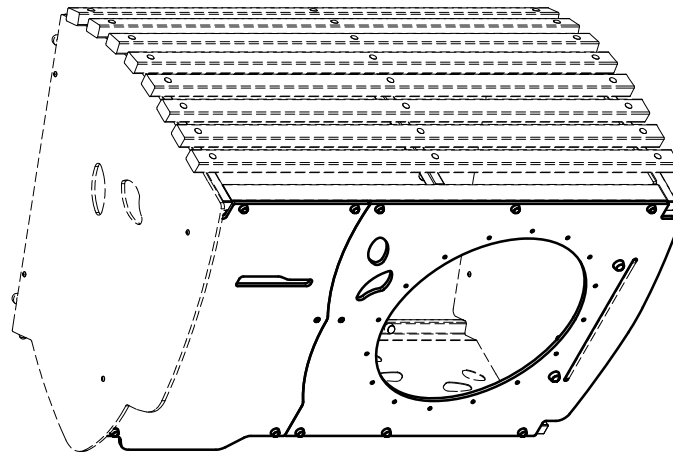


1x  
LI56107

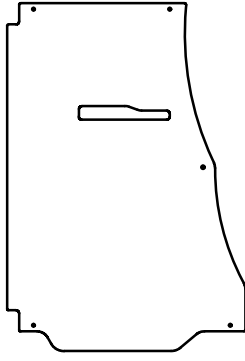
1x  
LI56106



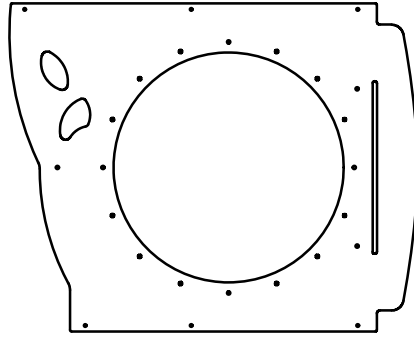
LI56106	1
LI56107	1
M10310N	4
M10440N	4
M12502N	2
VCBHCM6x25I	4
VCBHCM10x60I	2
VEBM6	4
VEFM10	2
VGC8x55I	1
VTH10x60	2



1x  
ET56119CH



1x  
ET56114PV

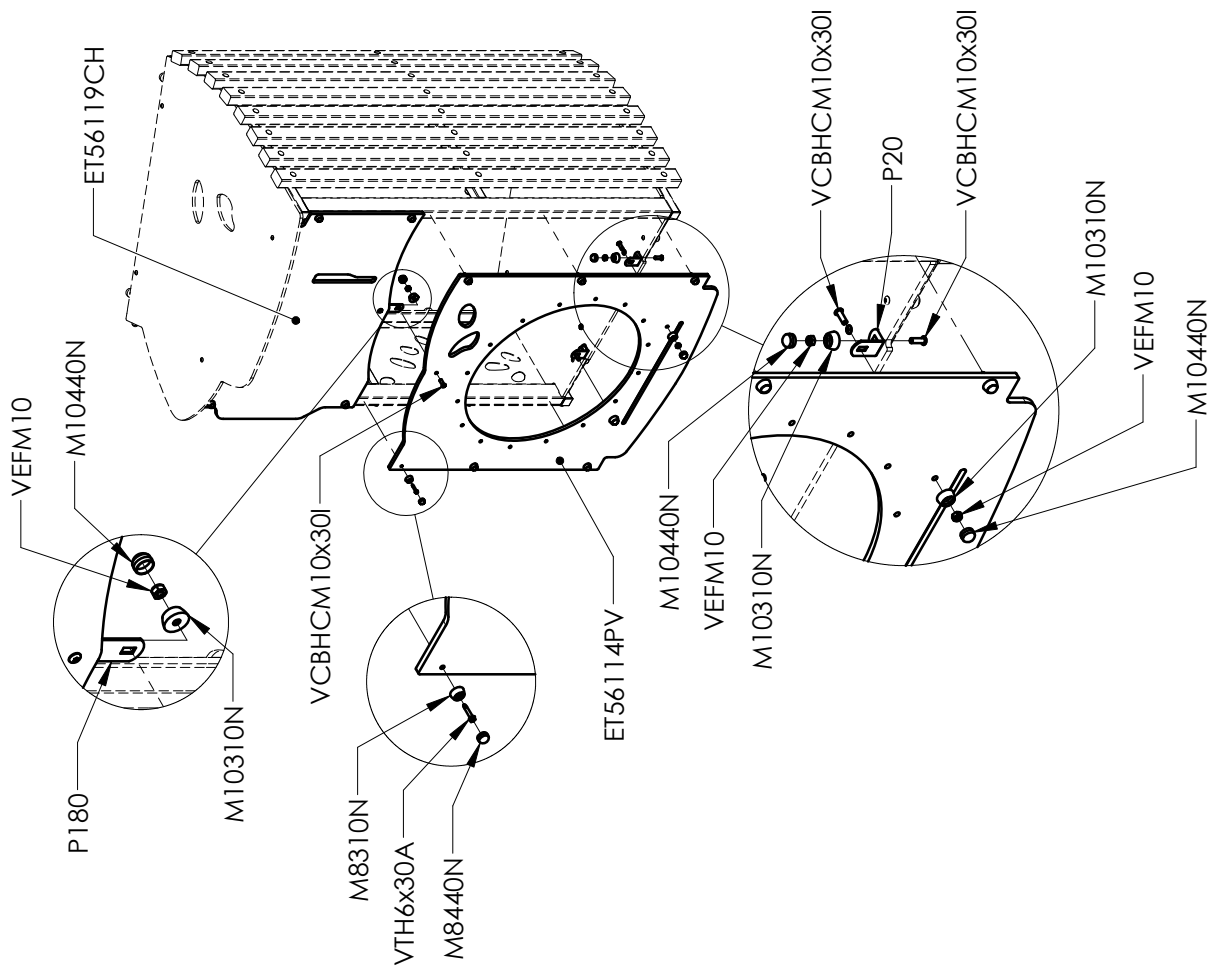
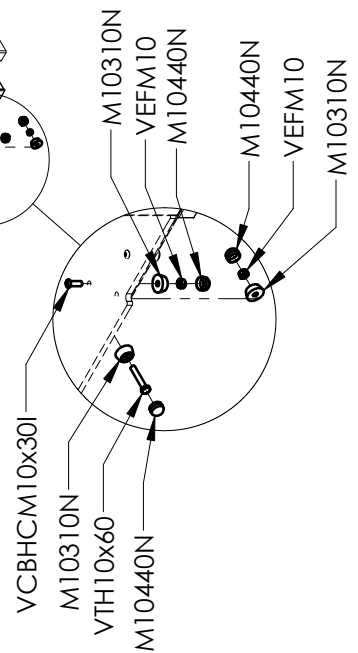
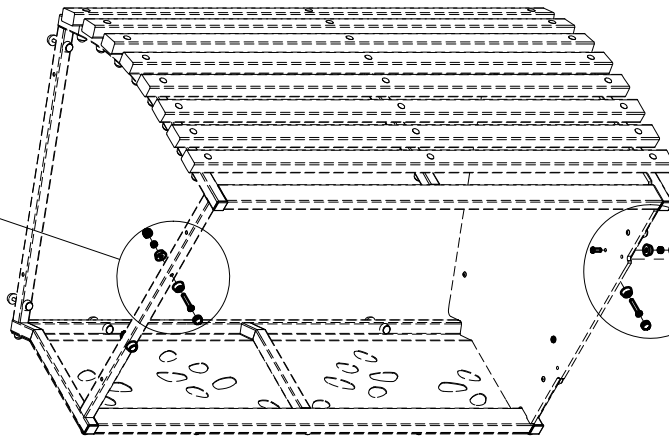
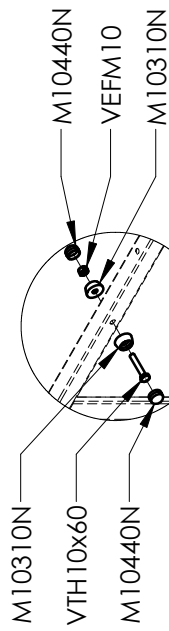


1x  
P180

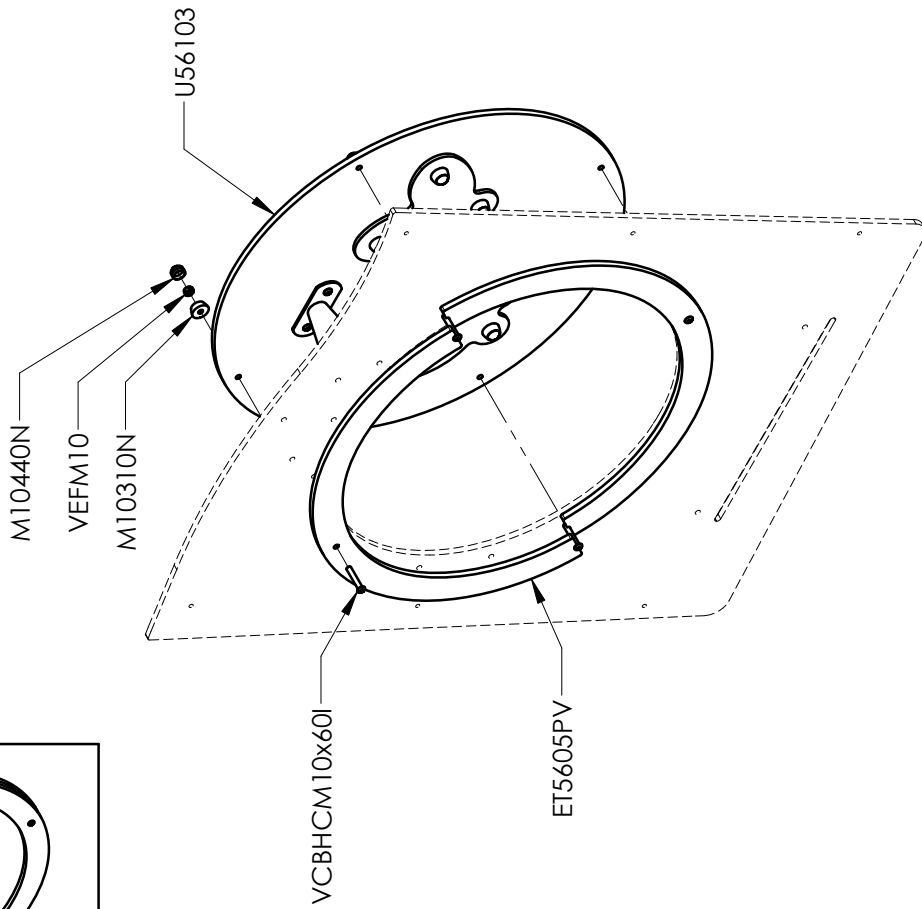
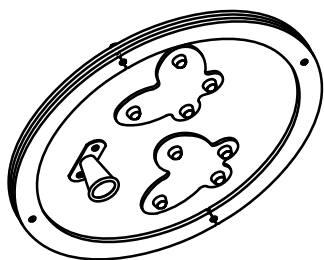


2x  
P20

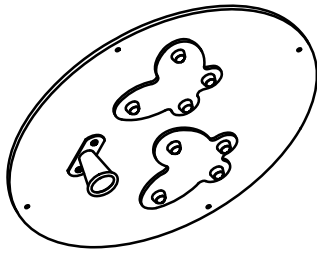
ET56114PV	1
ET56119CH	1
M8310N	10
M8440N	10
M10310N	16
M10440N	16
P20	2
P180	1
VCBHC M10x30I	8
VEFM10	12
VTH6x30A	10
VTH10x60	4



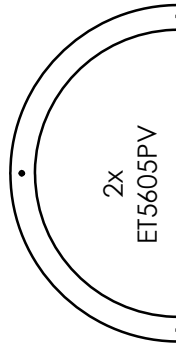




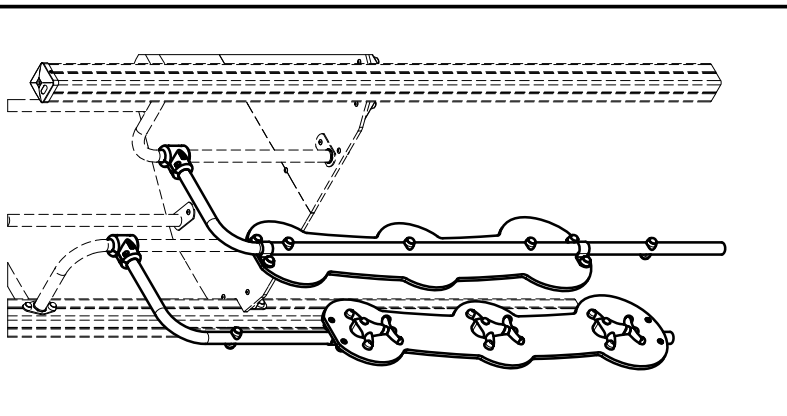
1x  
U56103



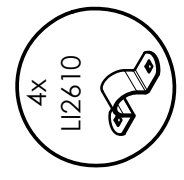
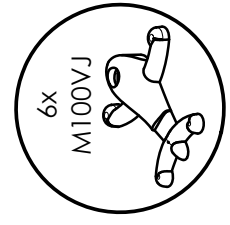
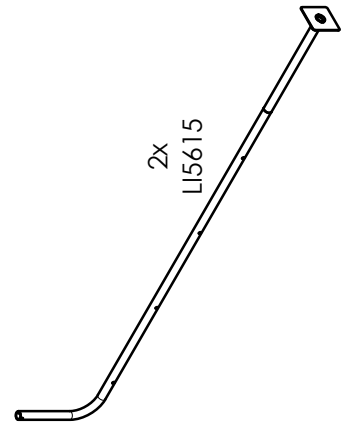
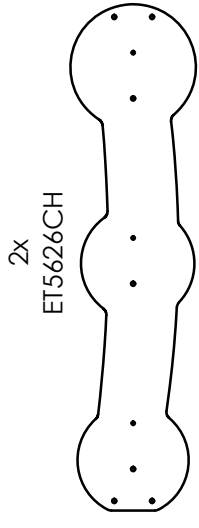
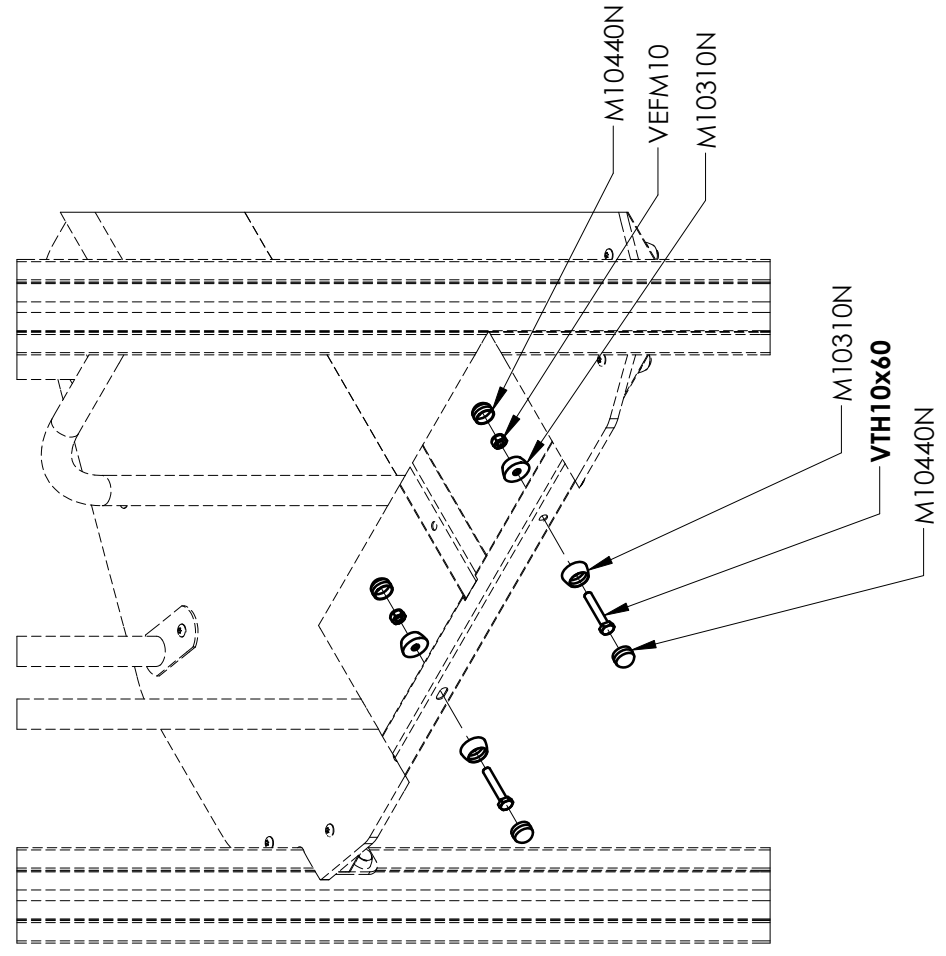
2x  
ET5605PV



ET5605PV	2
M10310N	4
M10440N	4
U56103	1
VCBHCM10x60I	4
VEFM10	4

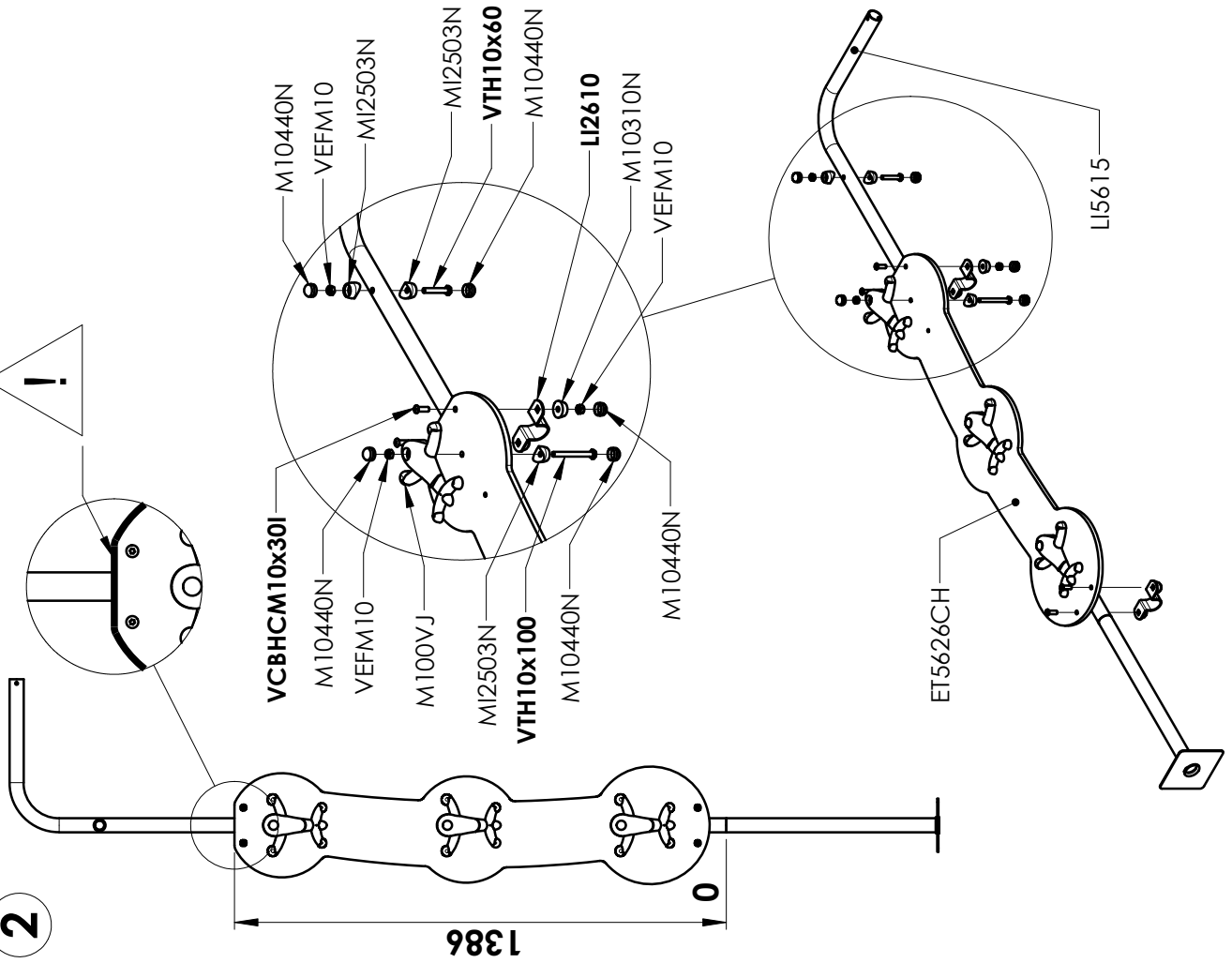
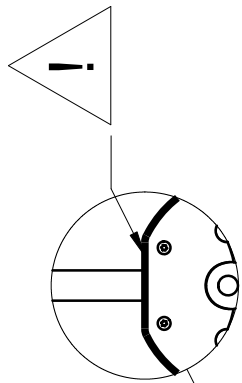


1

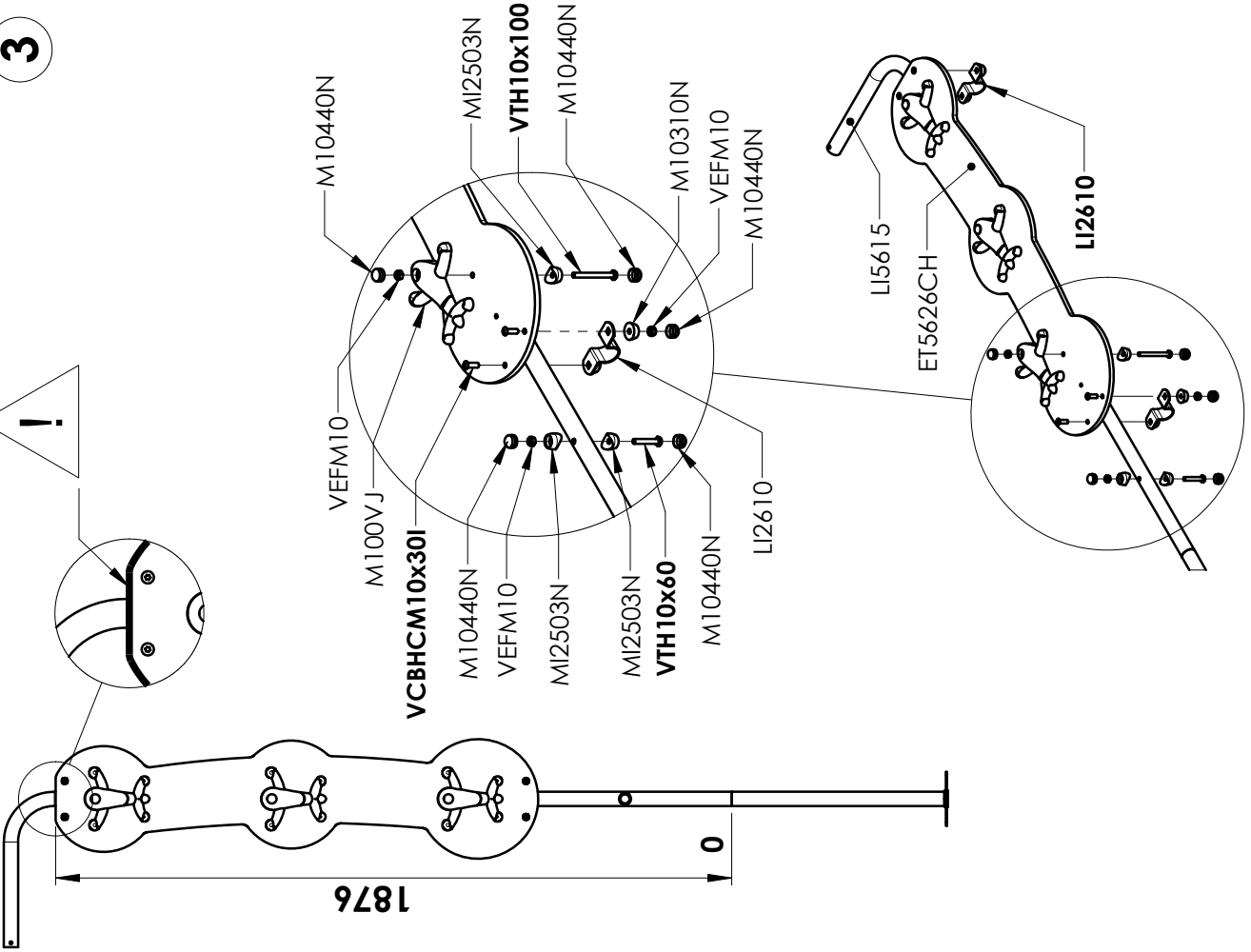
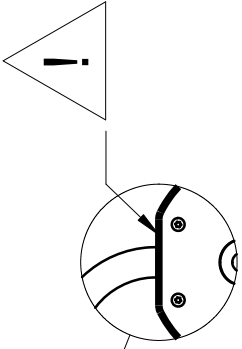


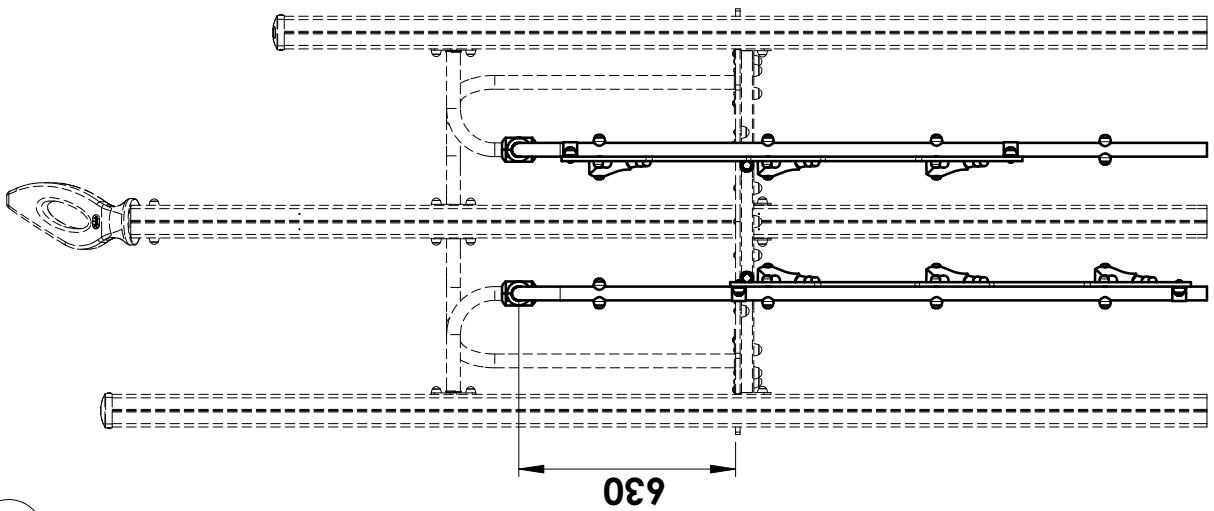
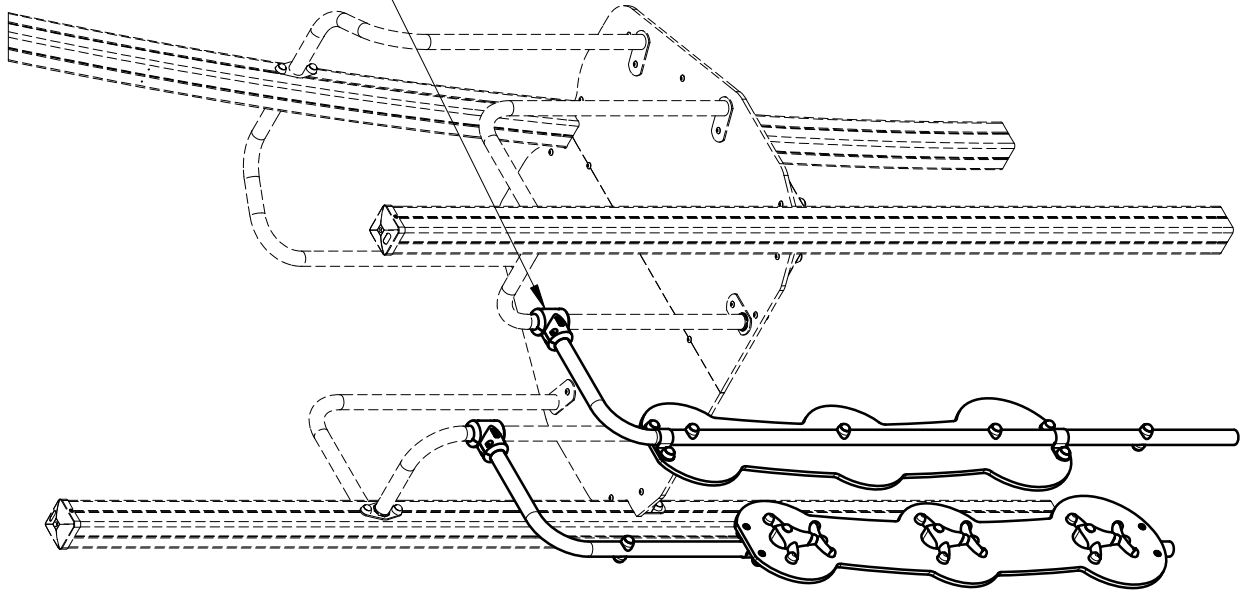
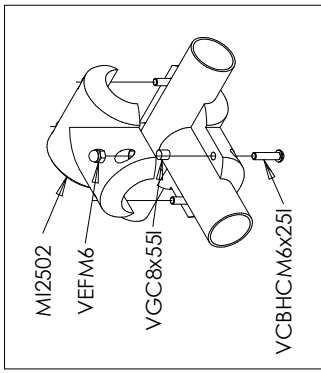
ET5626CH	2
LI2610	4
LI5615	2
M1000VJ	6
M10310N	12
M10440N	28
M12502N	4
M12503N	10
VCBHC6x25I	8
VCBHC6x25I	8
VEBM6	8
VEFM10	18
VGC8x55I	2
VTH10x60	4
VTH10x100	6

2

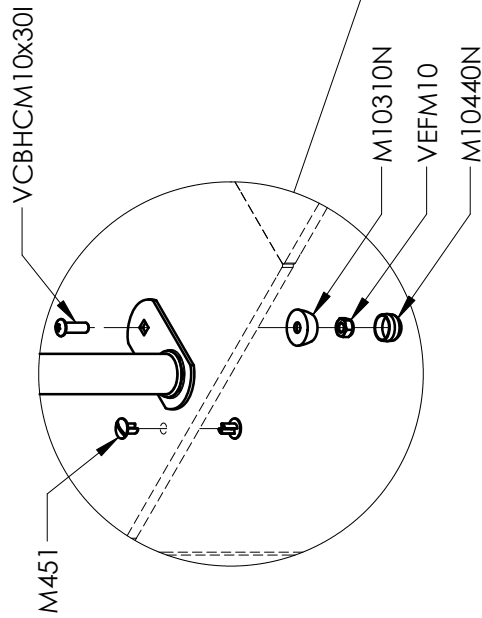
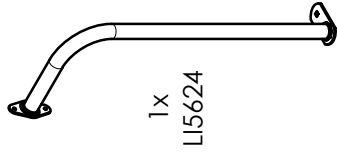
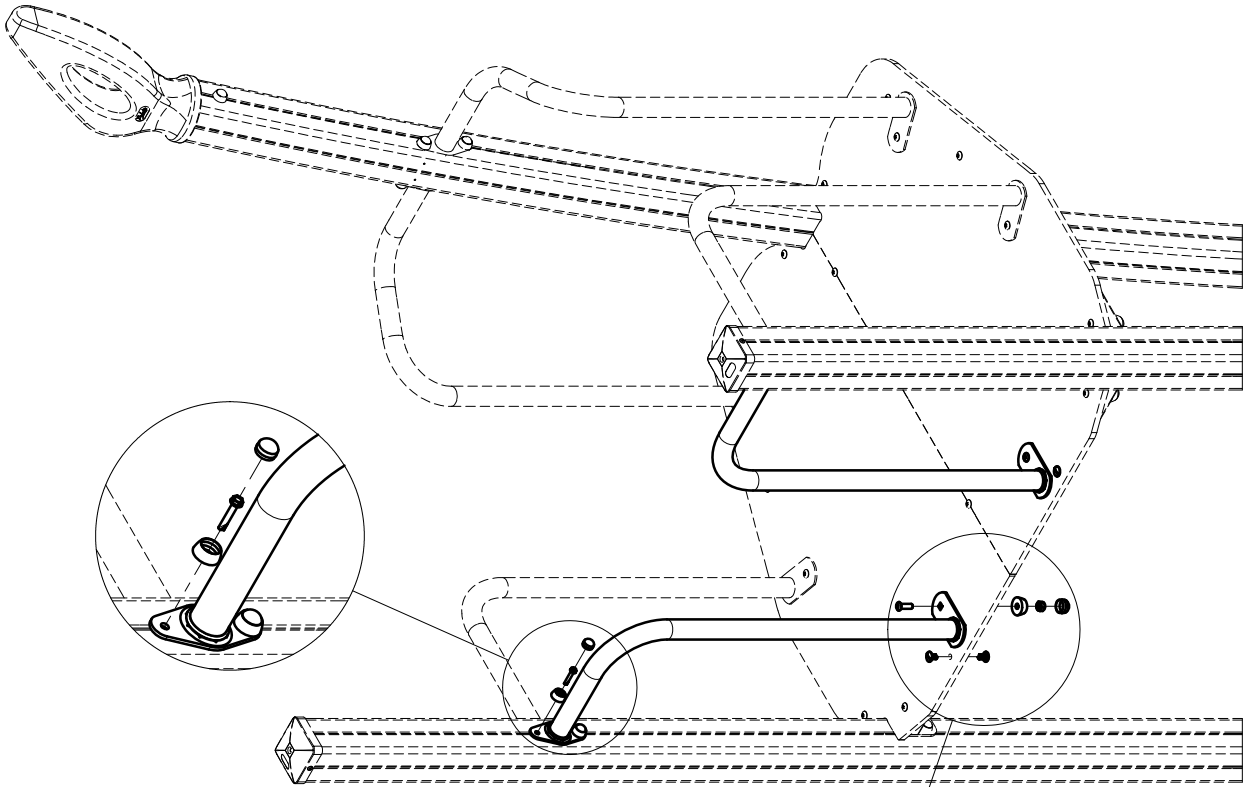


3

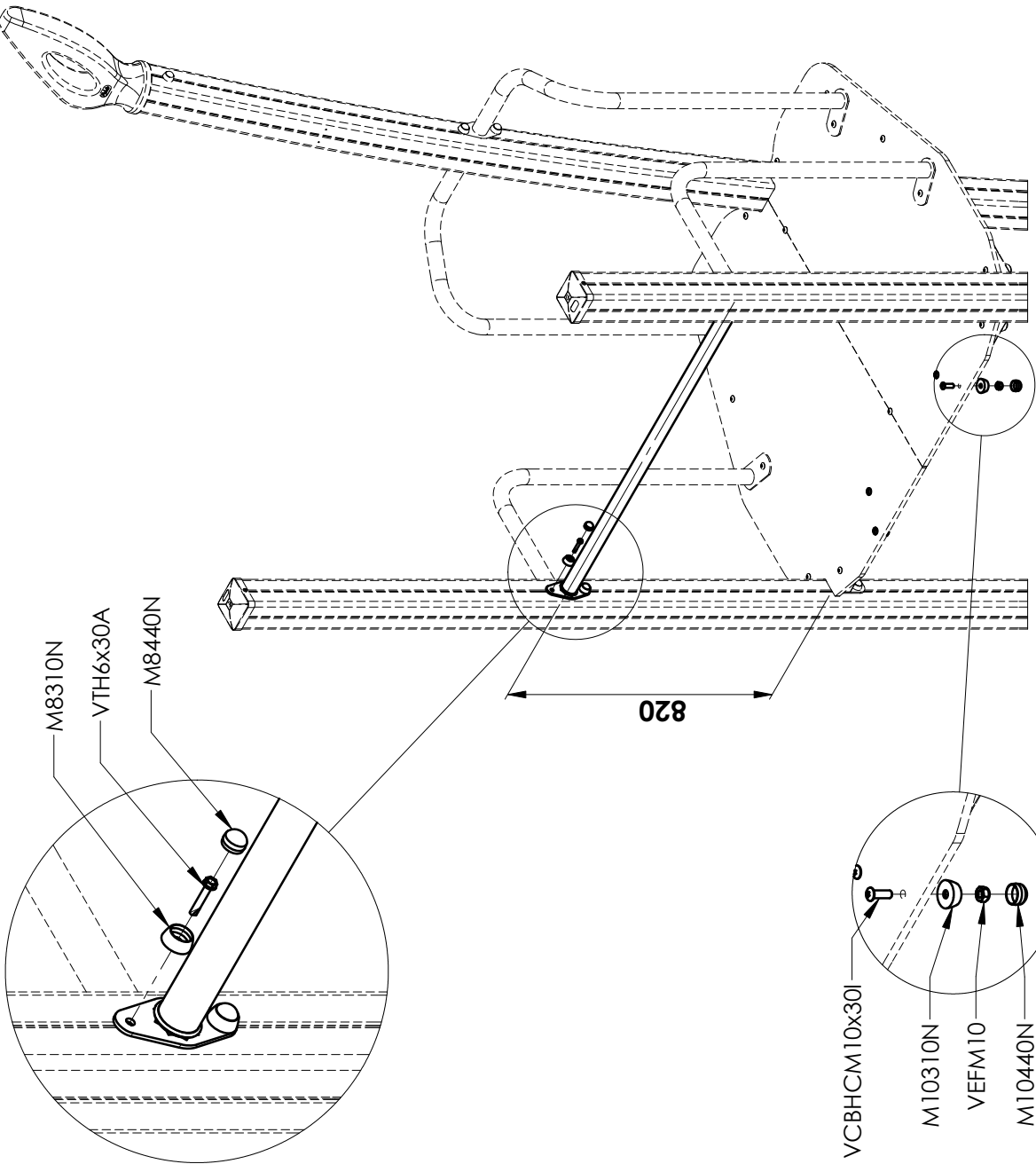




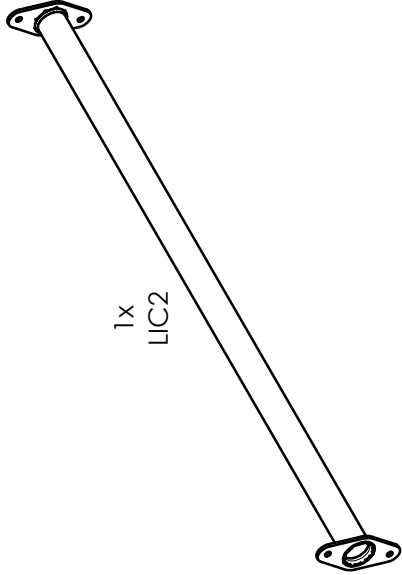
4



LI5624	1
LI5625	1
M451	4
M8310N	4
M8440N	4
M10310N	2
M10440N	2
VCBHCM10x30I	2
VEFM10	2
VTH6x30A	4



1x  
LIC2

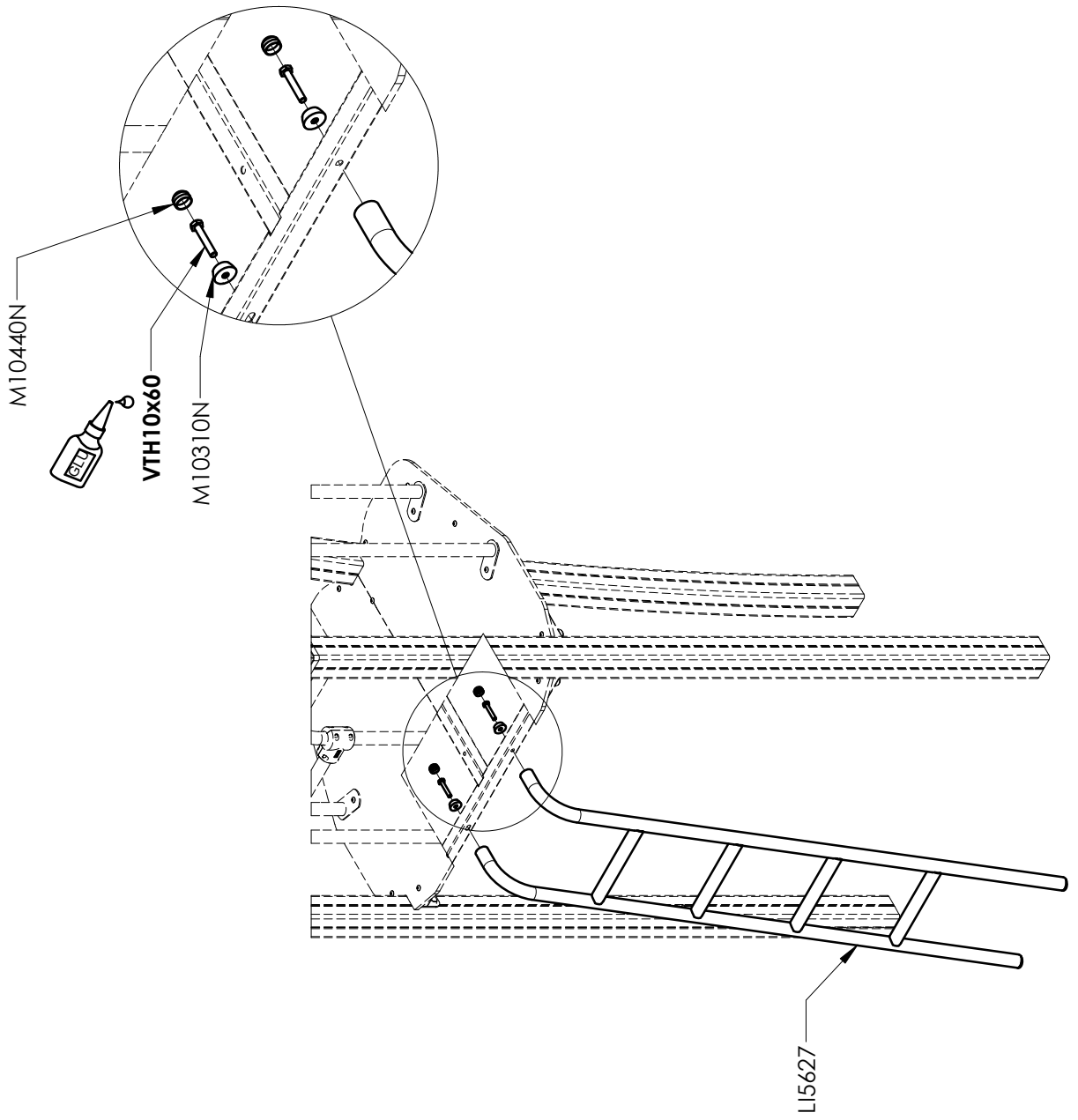


LIC2	1
M8310N	4
M8440N	4
M10310N	4
M10440N	4
VCBHCM10x30I	4
VEFM10	4
VTH6x30A	4

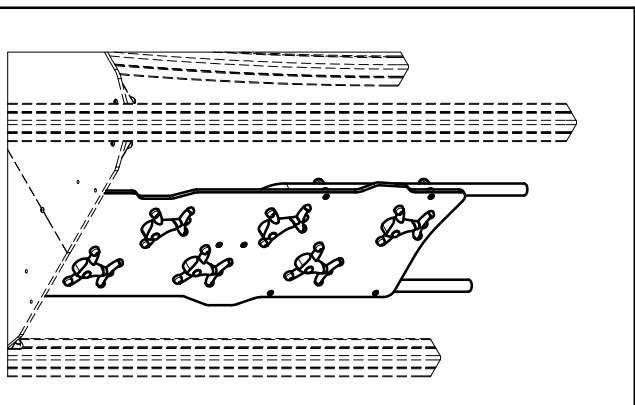


1

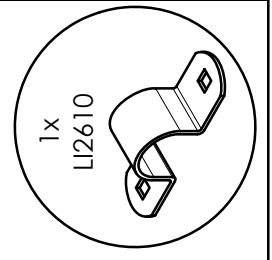
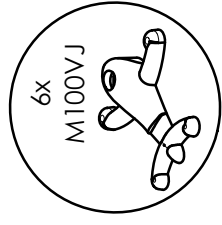
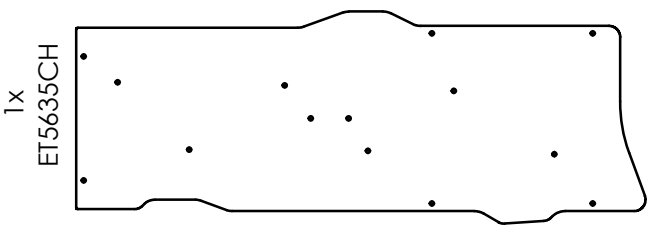
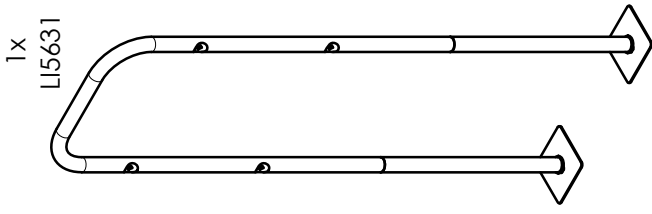
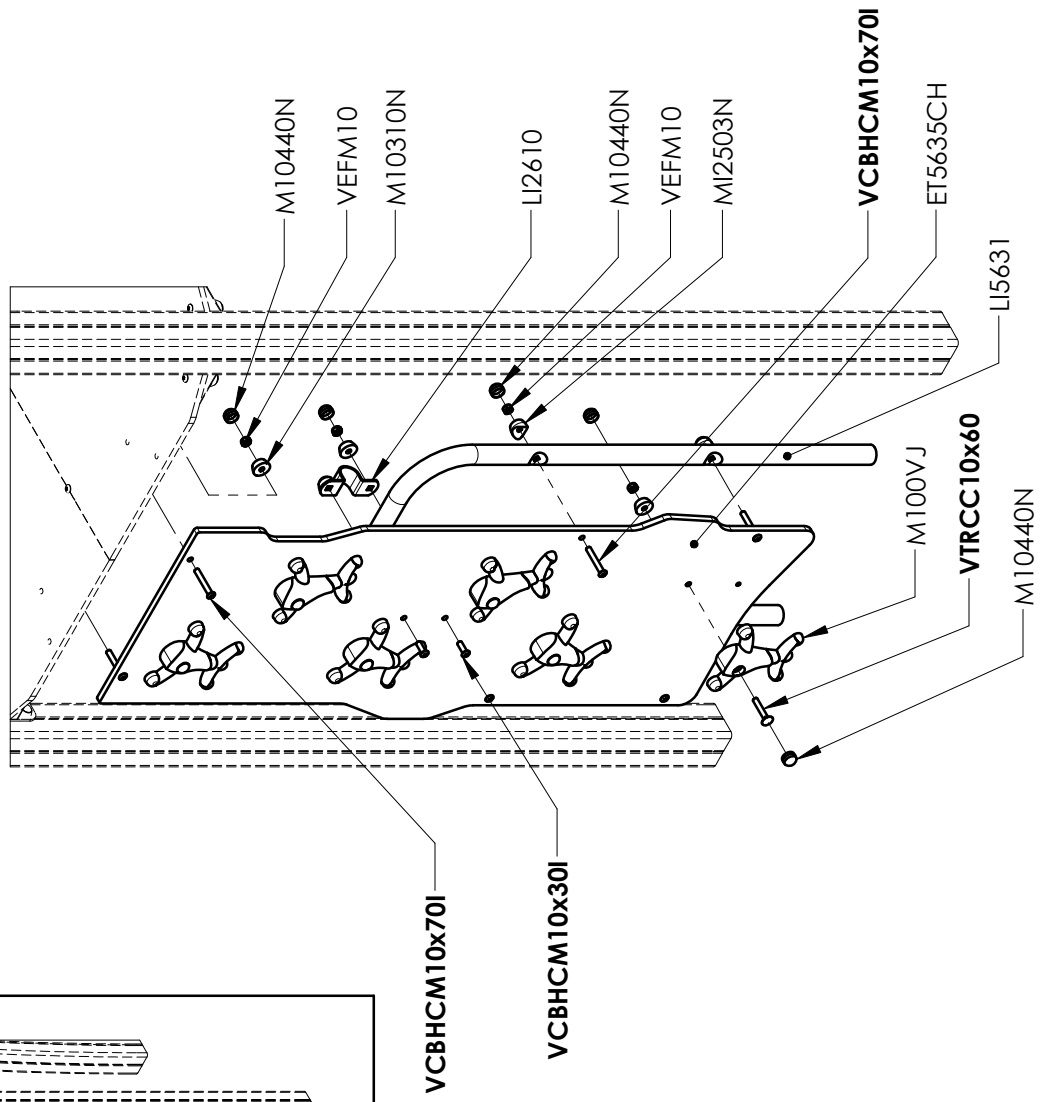
1x  
LI5627



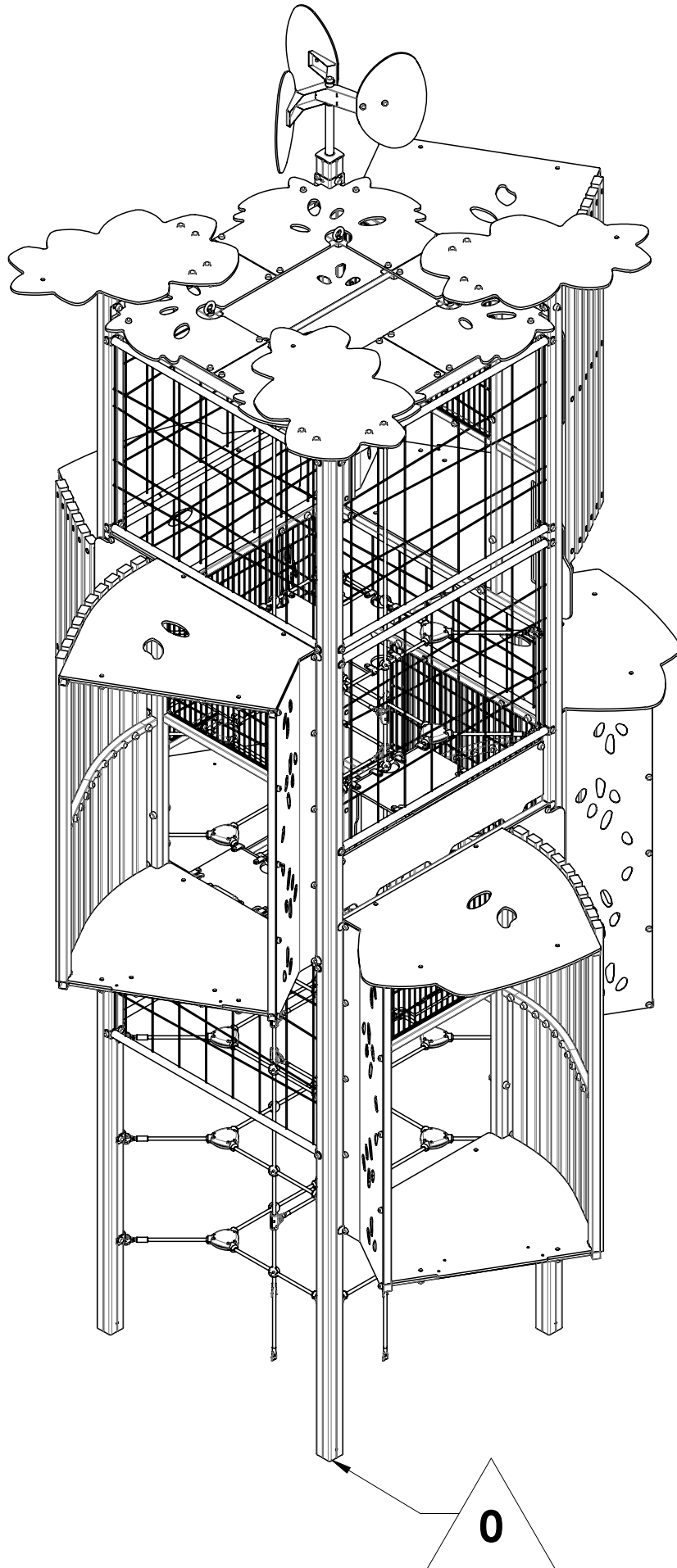
LI5627	1
M10310N	2
M10440N	2
VTH10x60	2

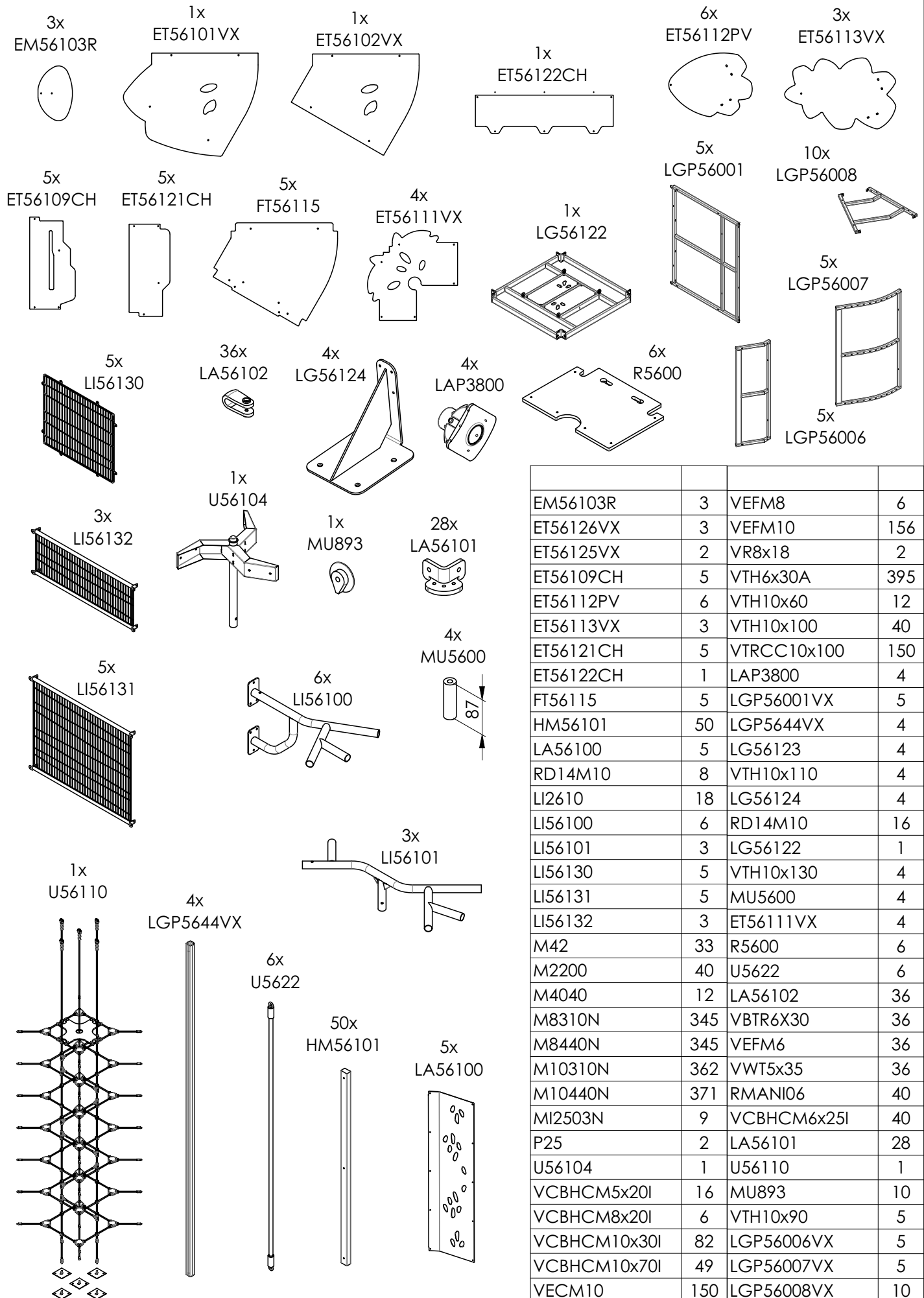


1

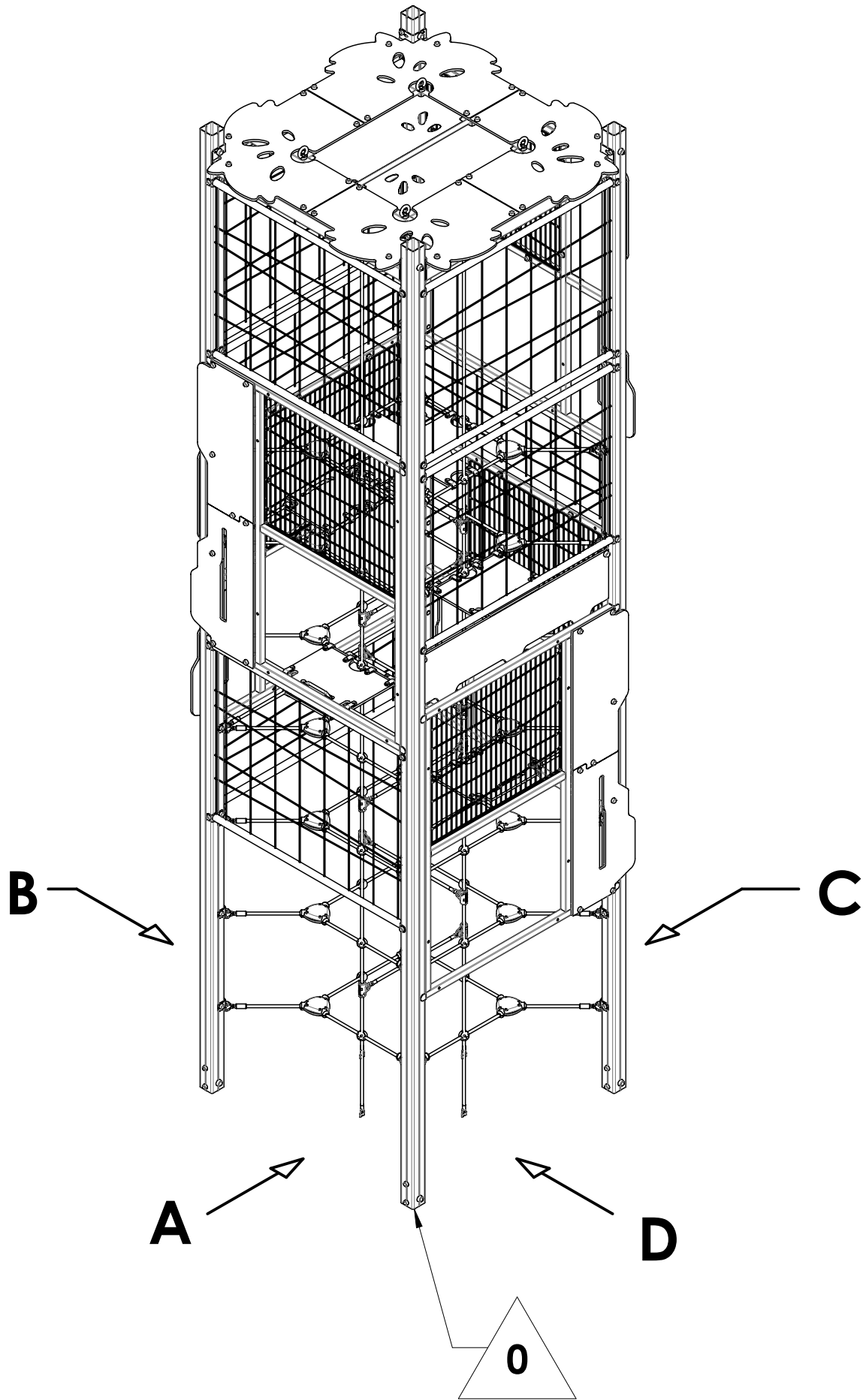


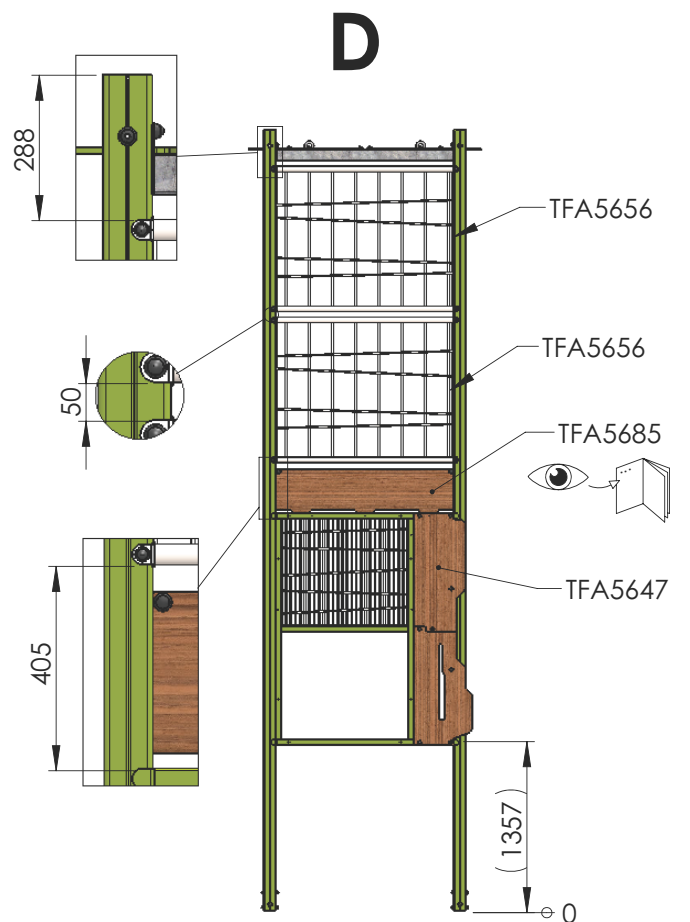
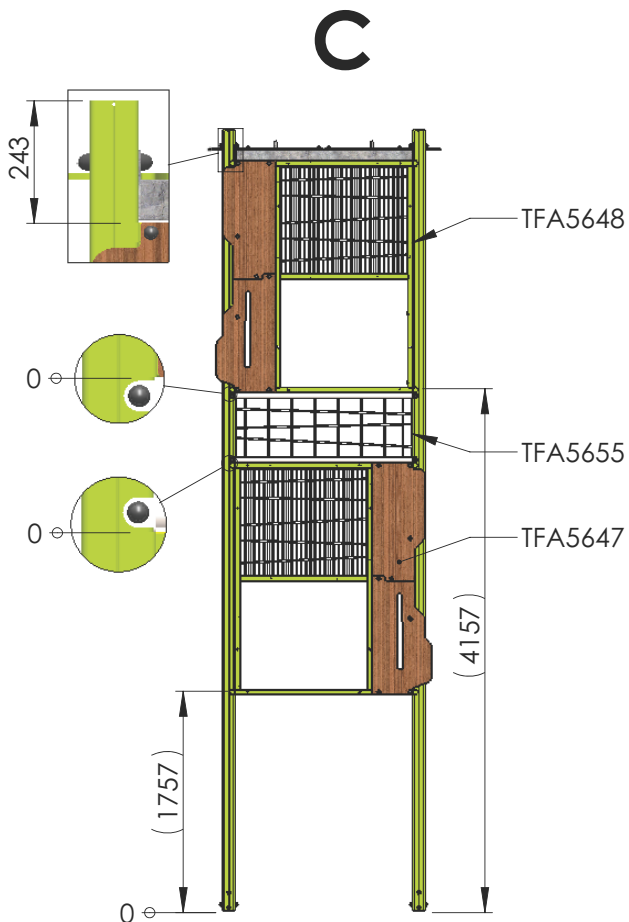
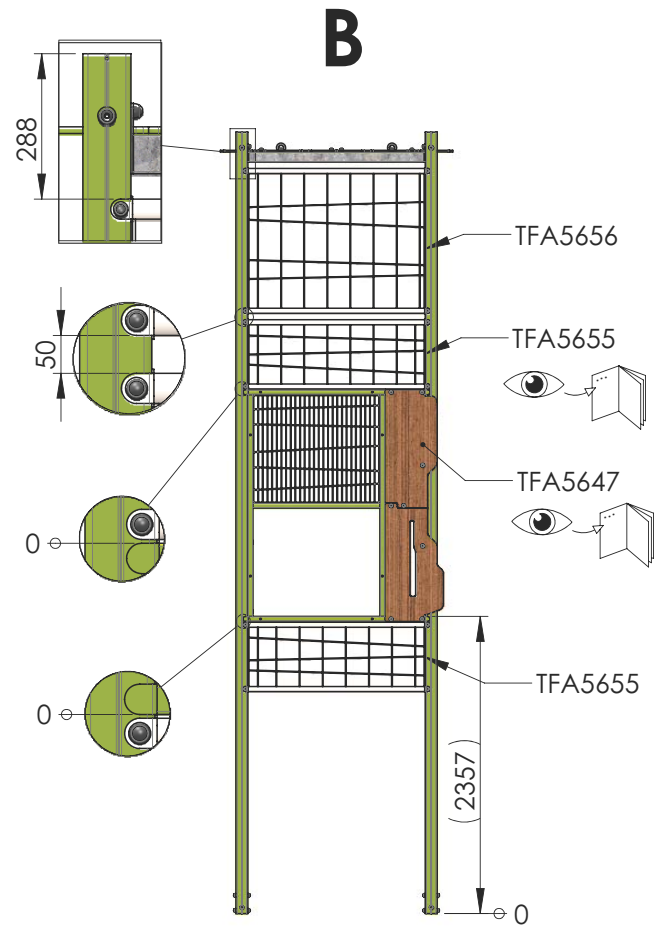
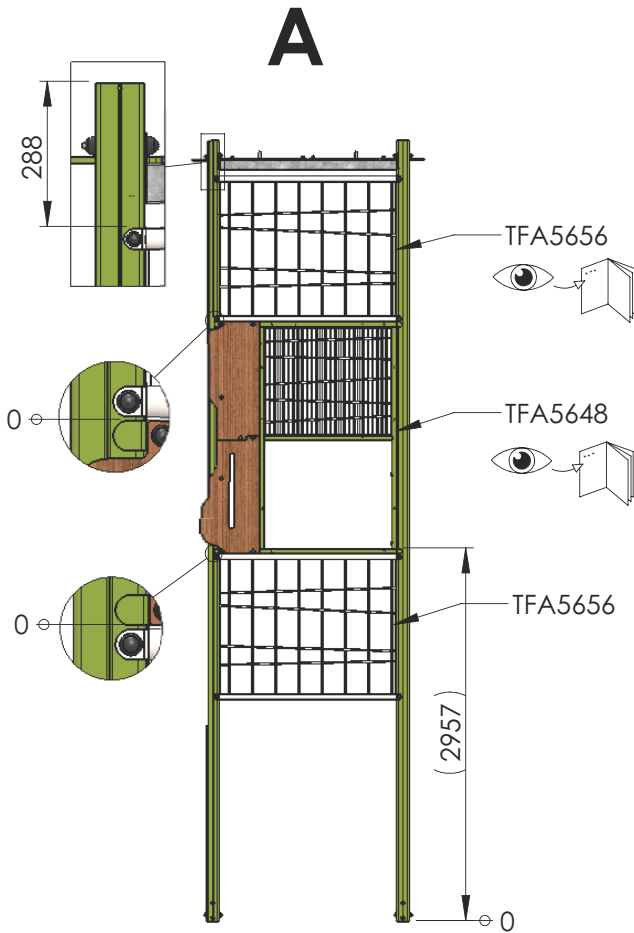
ET5635CH	1
LI2610	1
LI5631	1
M100VJ	6
M10310N	10
M10440N	20
MI2503N	4
VCBHCM10x30I	2
VCBHCM10x70I	6
VEFM10	14
VTRCC10x60	6



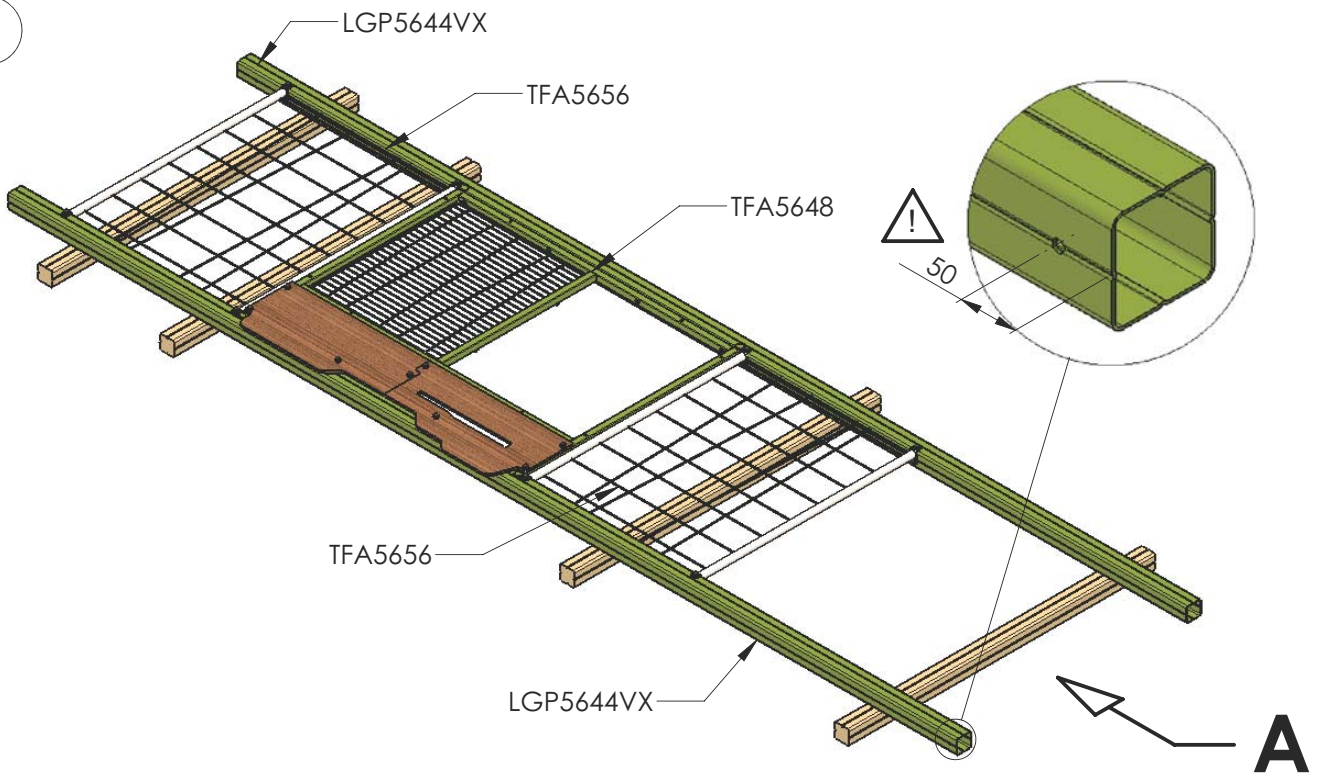


EM56103R	3	VEFM8	6
ET56126VX	3	VEFM10	156
ET56125VX	2	VR8x18	2
ET56109CH	5	VTH6x30A	395
ET56112PV	6	VTH10x60	12
ET56113VX	3	VTH10x100	40
ET56121CH	5	VTRCC10x100	150
ET56122CH	1	LAP3800	4
FT56115	5	LGP56001VX	5
HM56101	50	LGP5644VX	4
LA56100	5	LG56123	4
RD14M10	8	VTH10x110	4
LI2610	18	LG56124	4
LI56100	6	RD14M10	16
LI56101	3	LG56122	1
LI56130	5	VTH10x130	4
LI56131	5	MU5600	4
LI56132	3	ET56111VX	4
M42	33	R5600	6
M2200	40	U5622	6
M4040	12	LA56102	36
M8310N	345	VBTR6X30	36
M8440N	345	VEFM6	36
M10310N	362	VWT5x35	36
M10440N	371	RMANI06	40
MI2503N	9	VCBHCM6x25I	40
P25	2	LA56101	28
U56104	1	U56110	1
VCBHCM5x20I	16	MU893	10
VCBHCM8x20I	6	VTH10x90	5
VCBHCM10x30I	82	LGP56006VX	5
VCBHCM10x70I	49	LGP56007VX	5
VECM10	150	LGP56008VX	10

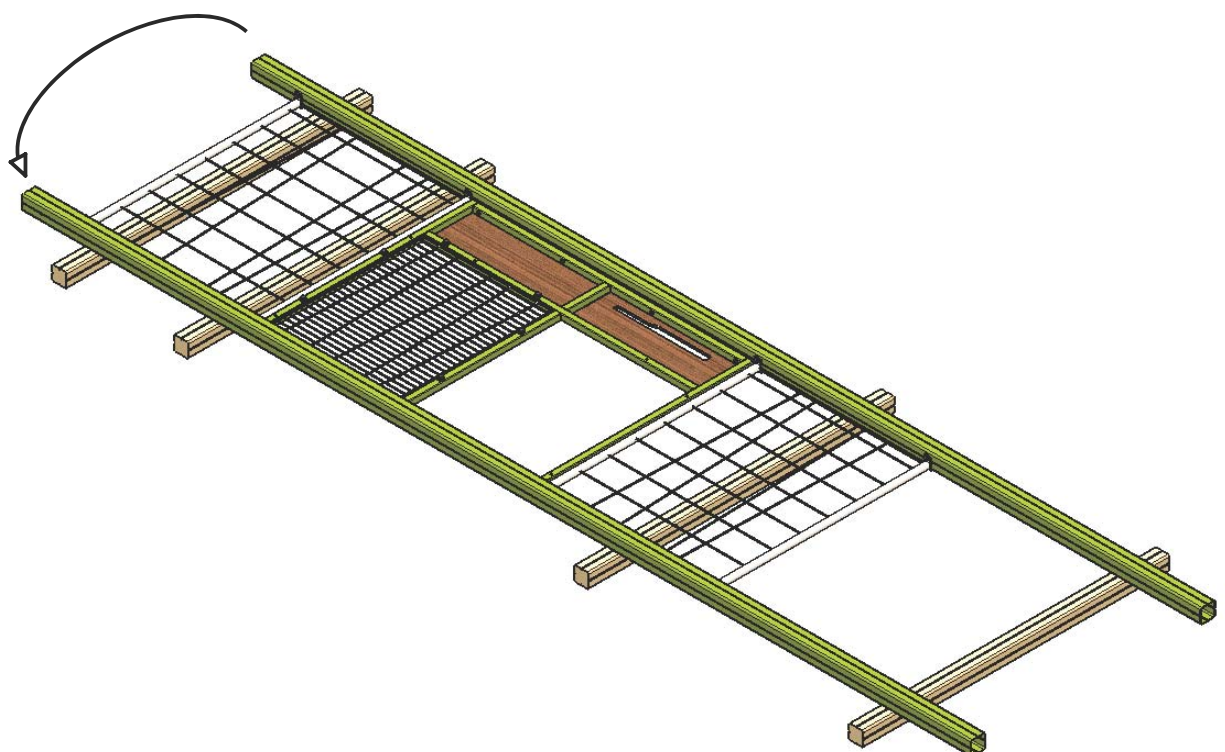




1

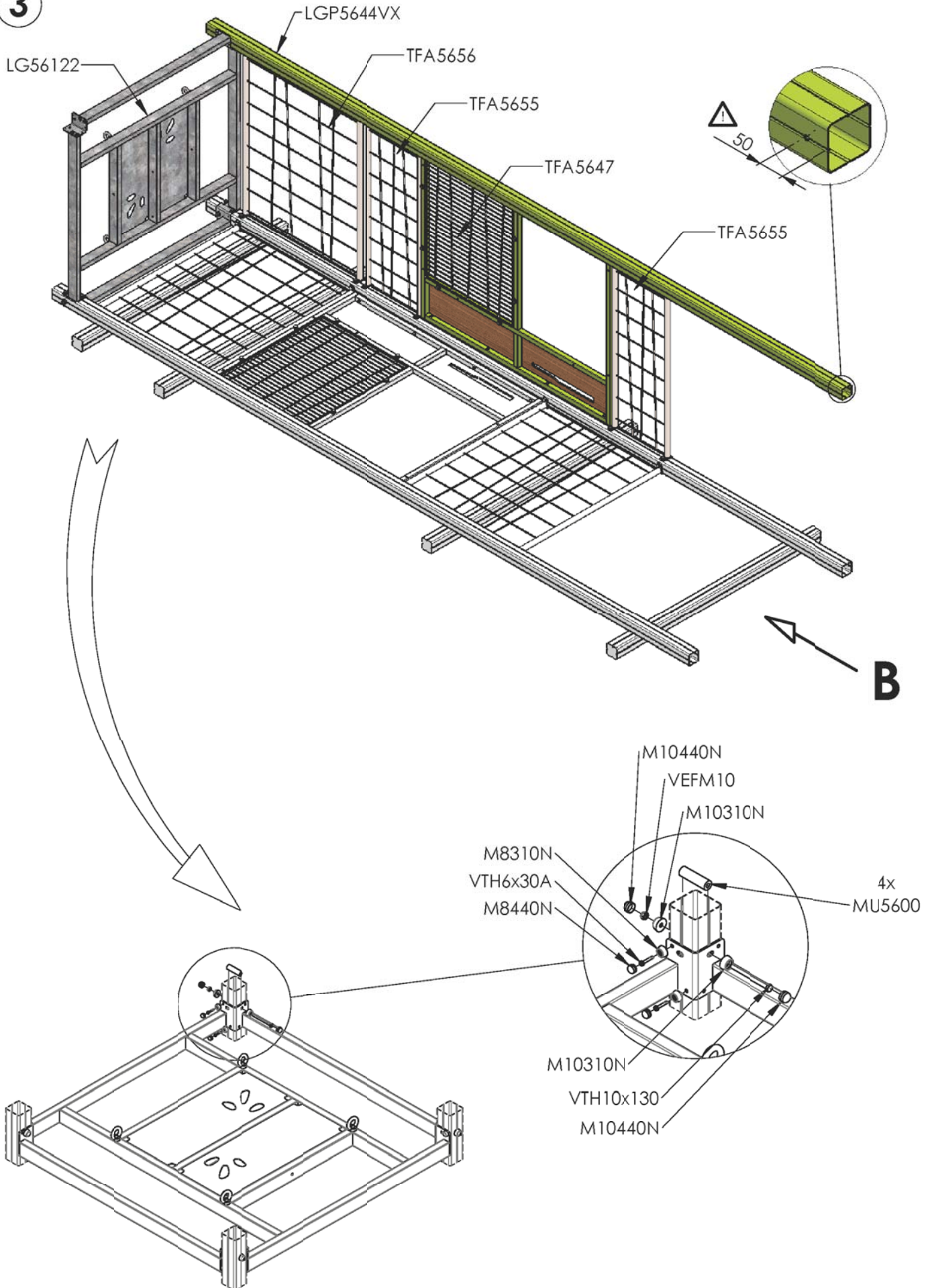


2



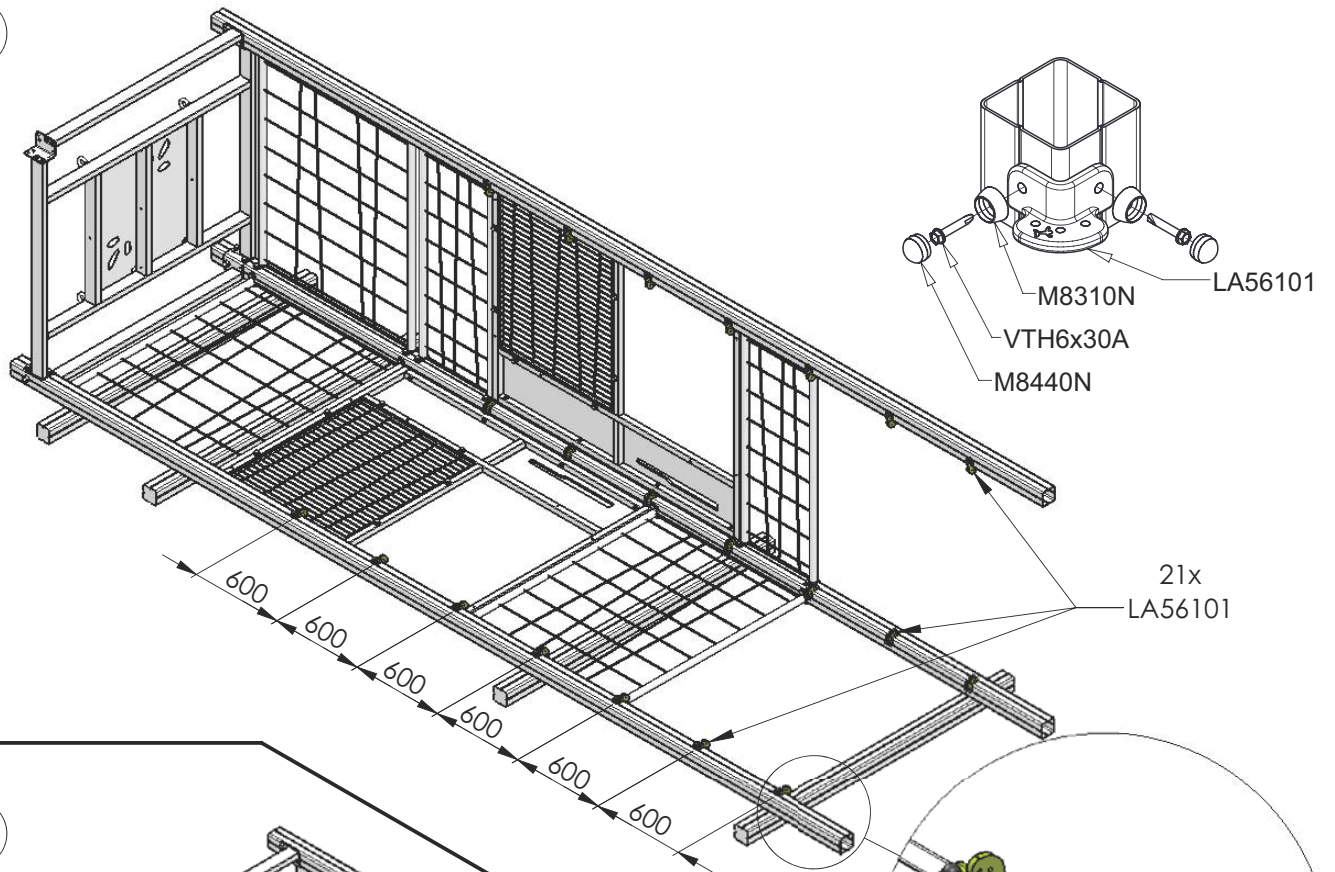


3

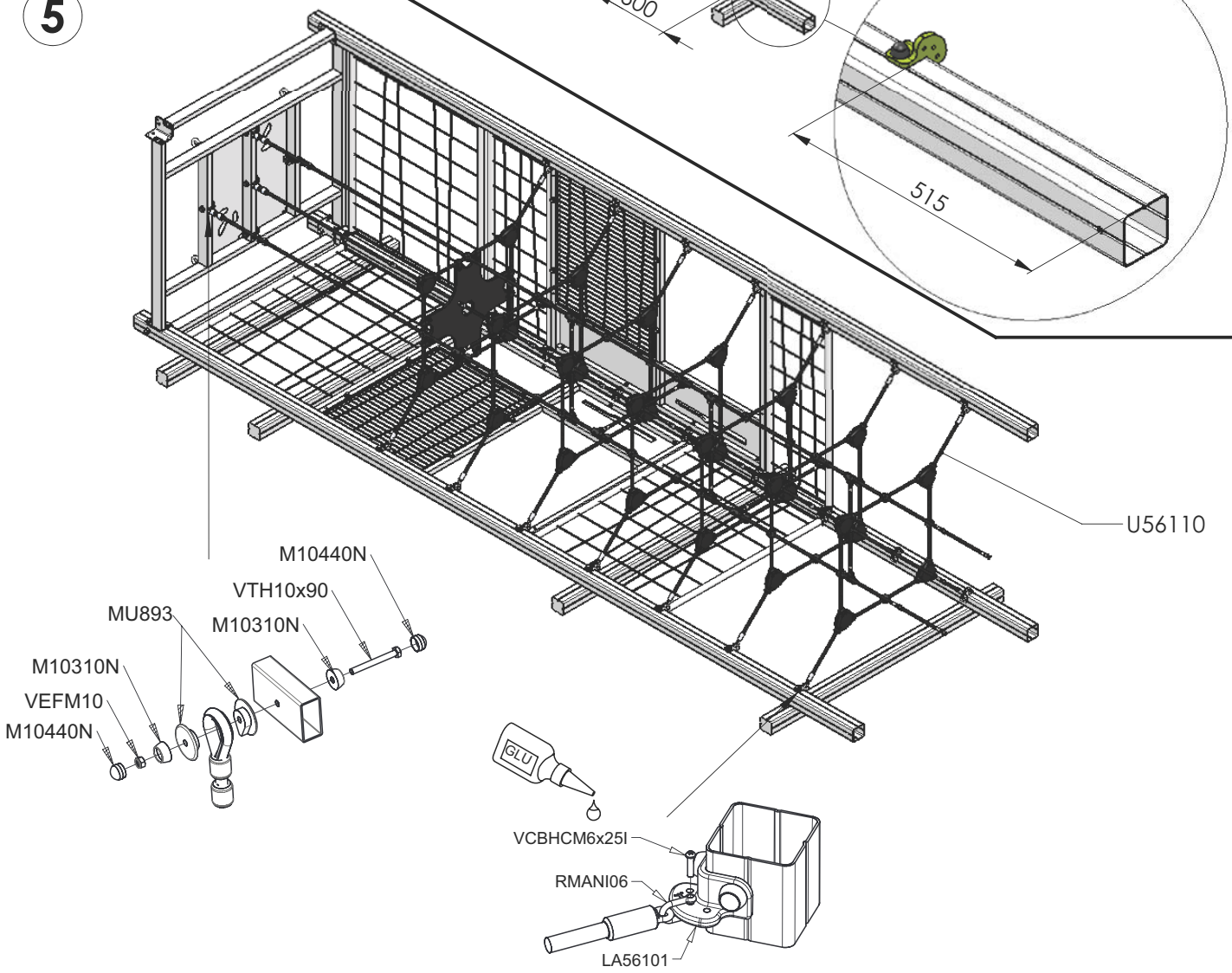




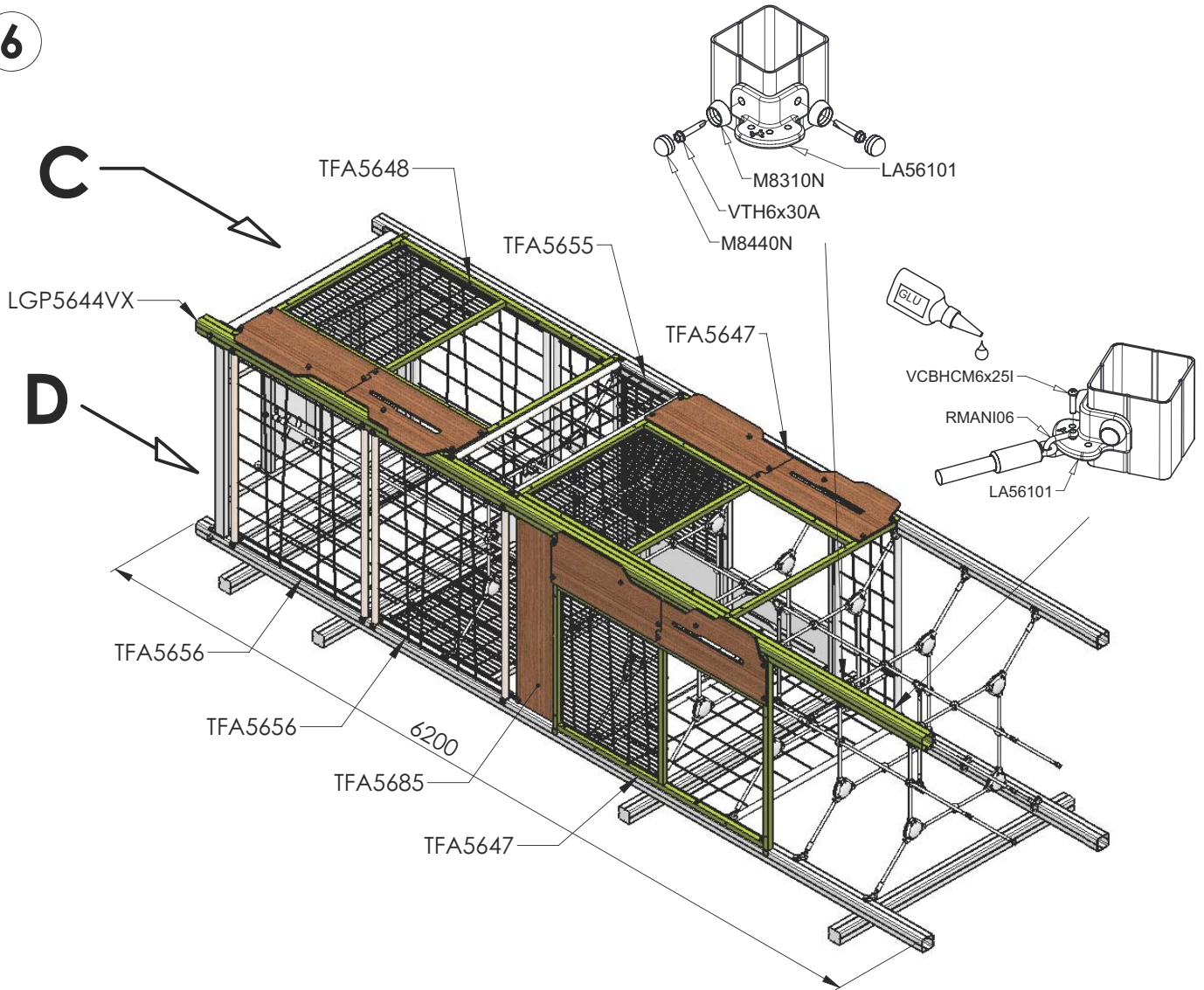
4



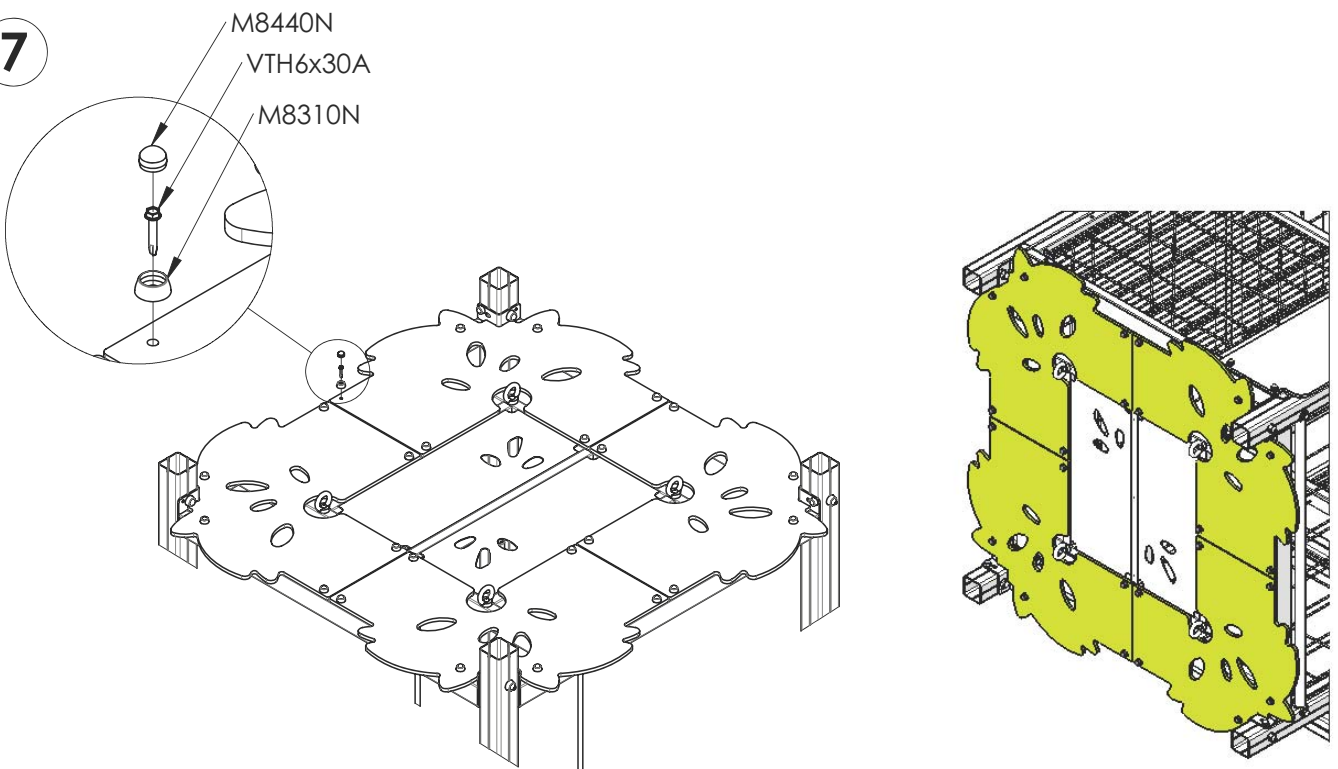
5

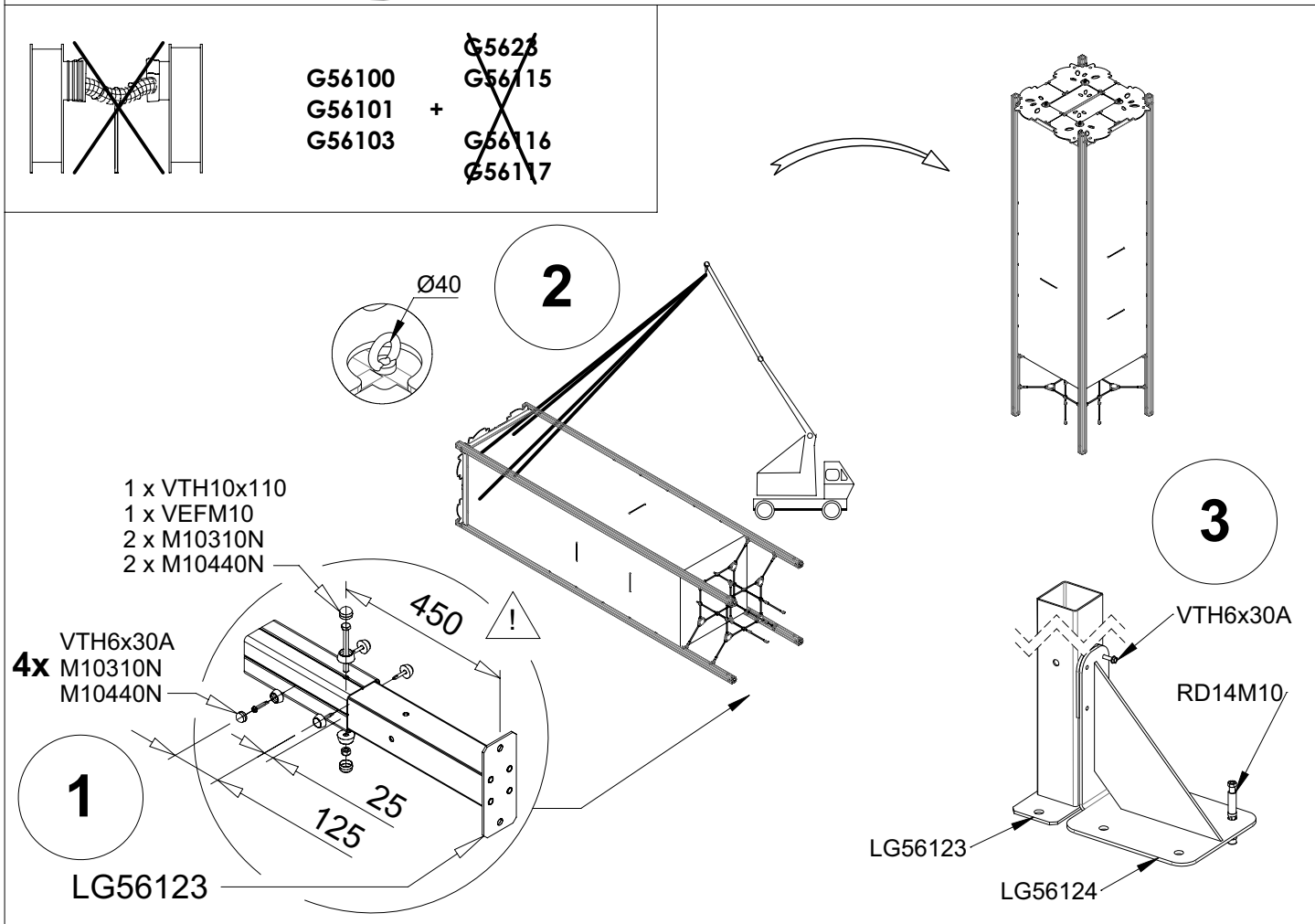
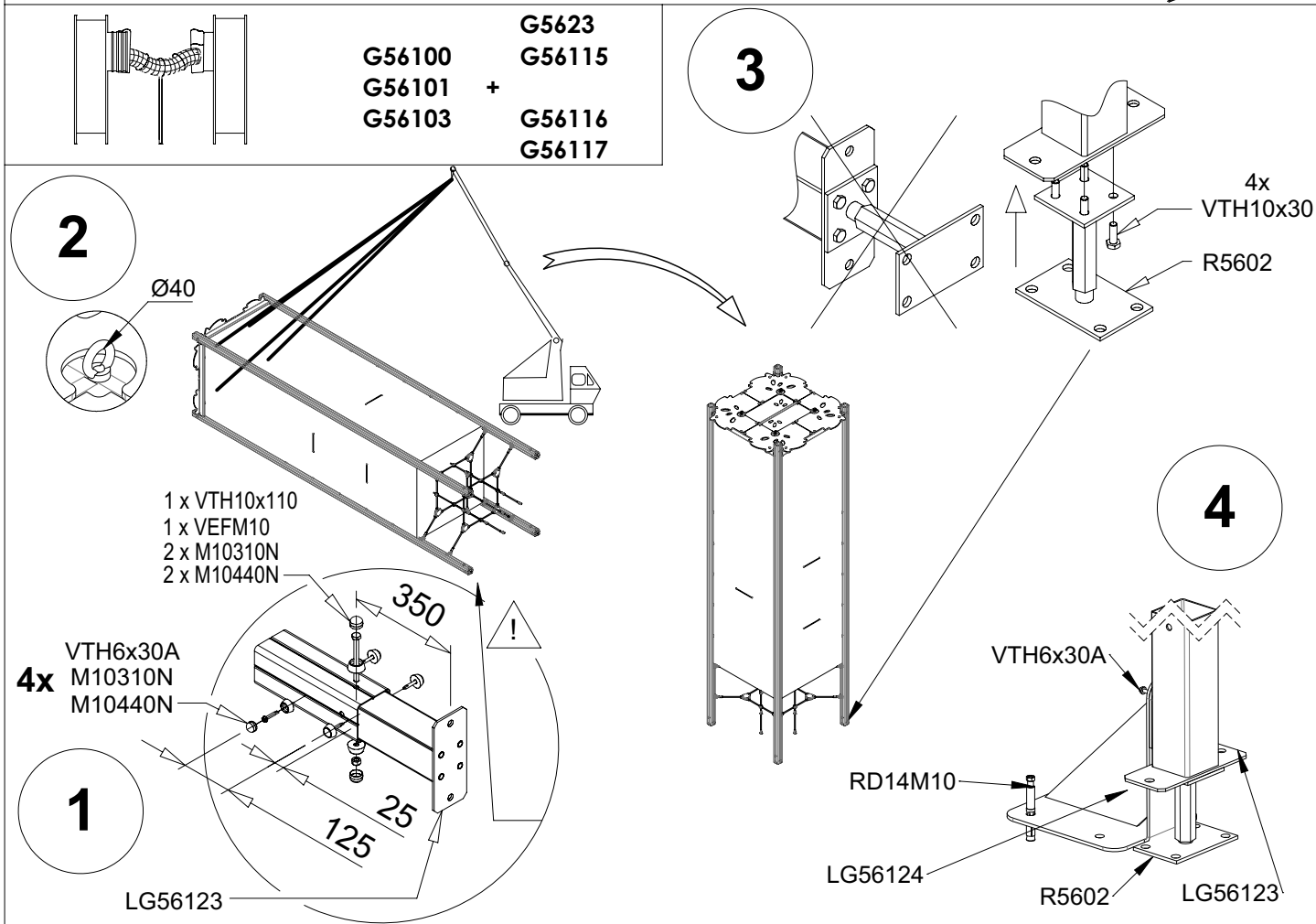


6



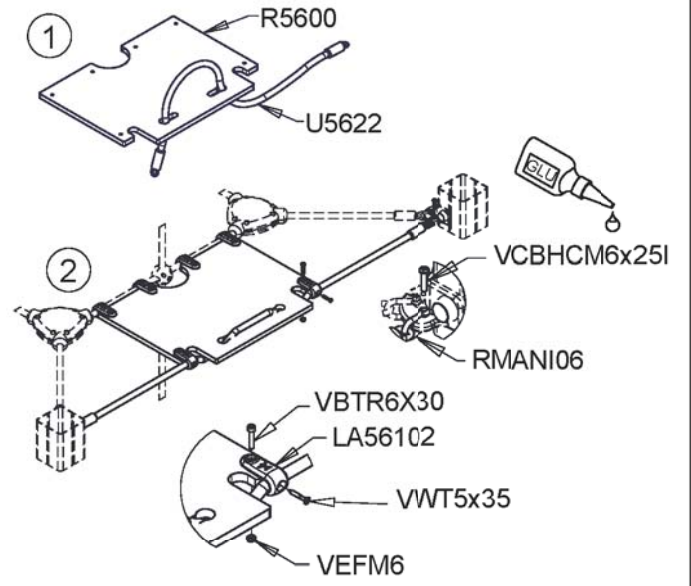
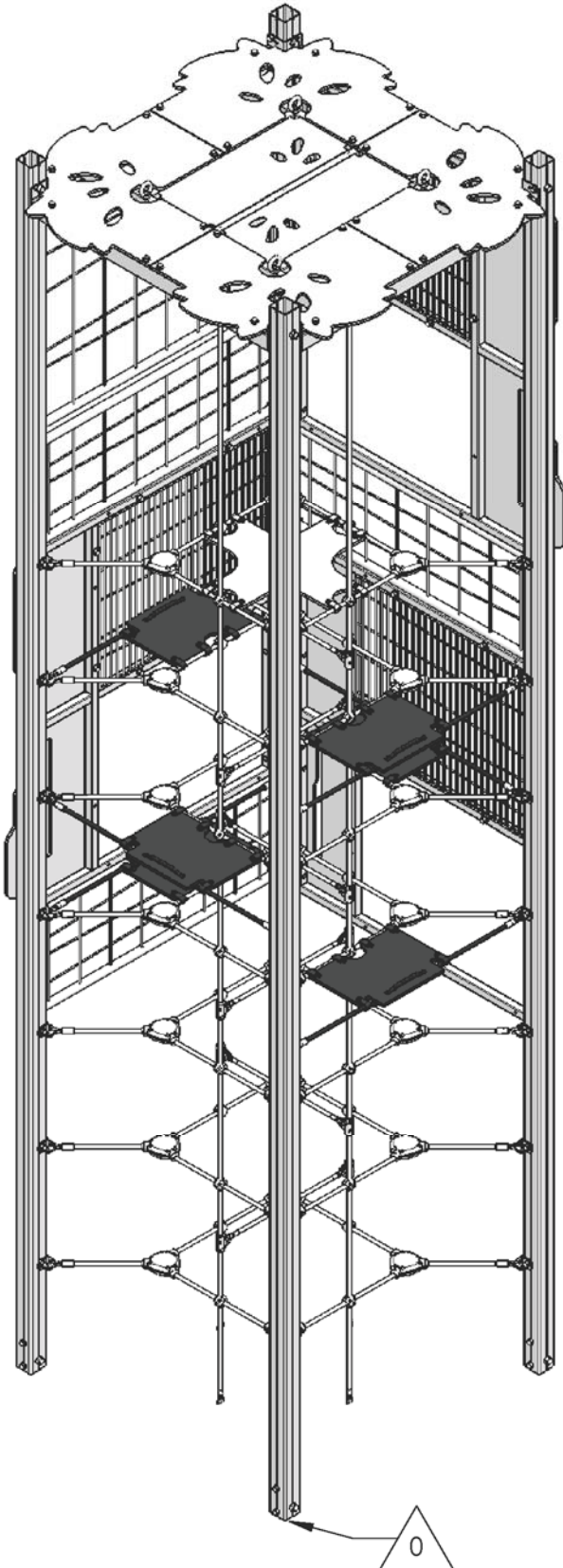
7



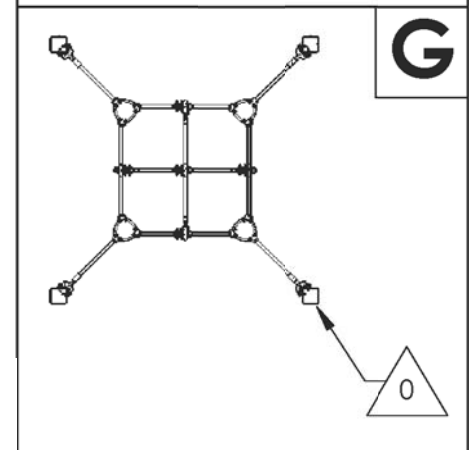
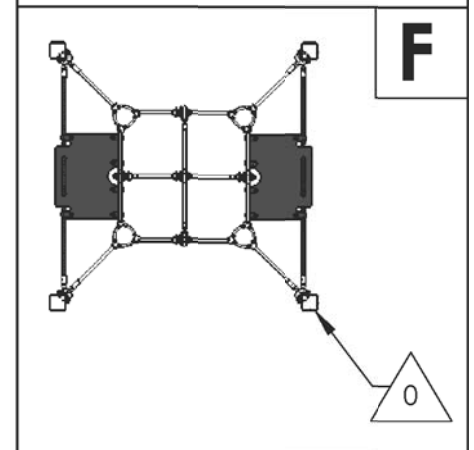
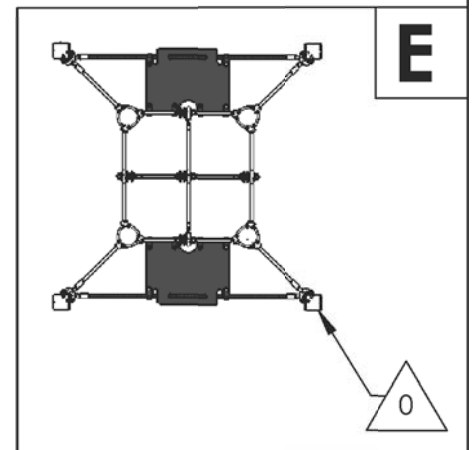




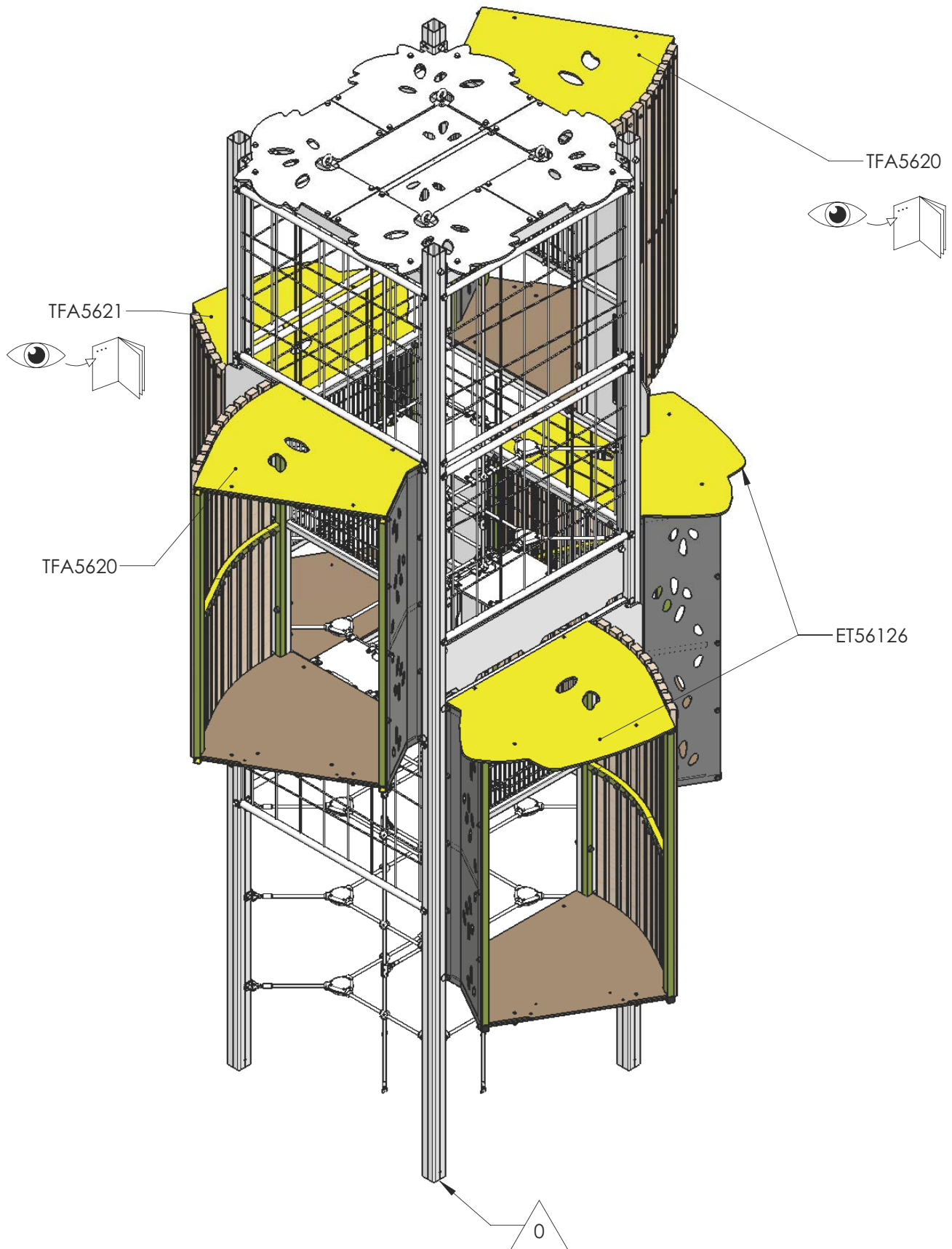
9



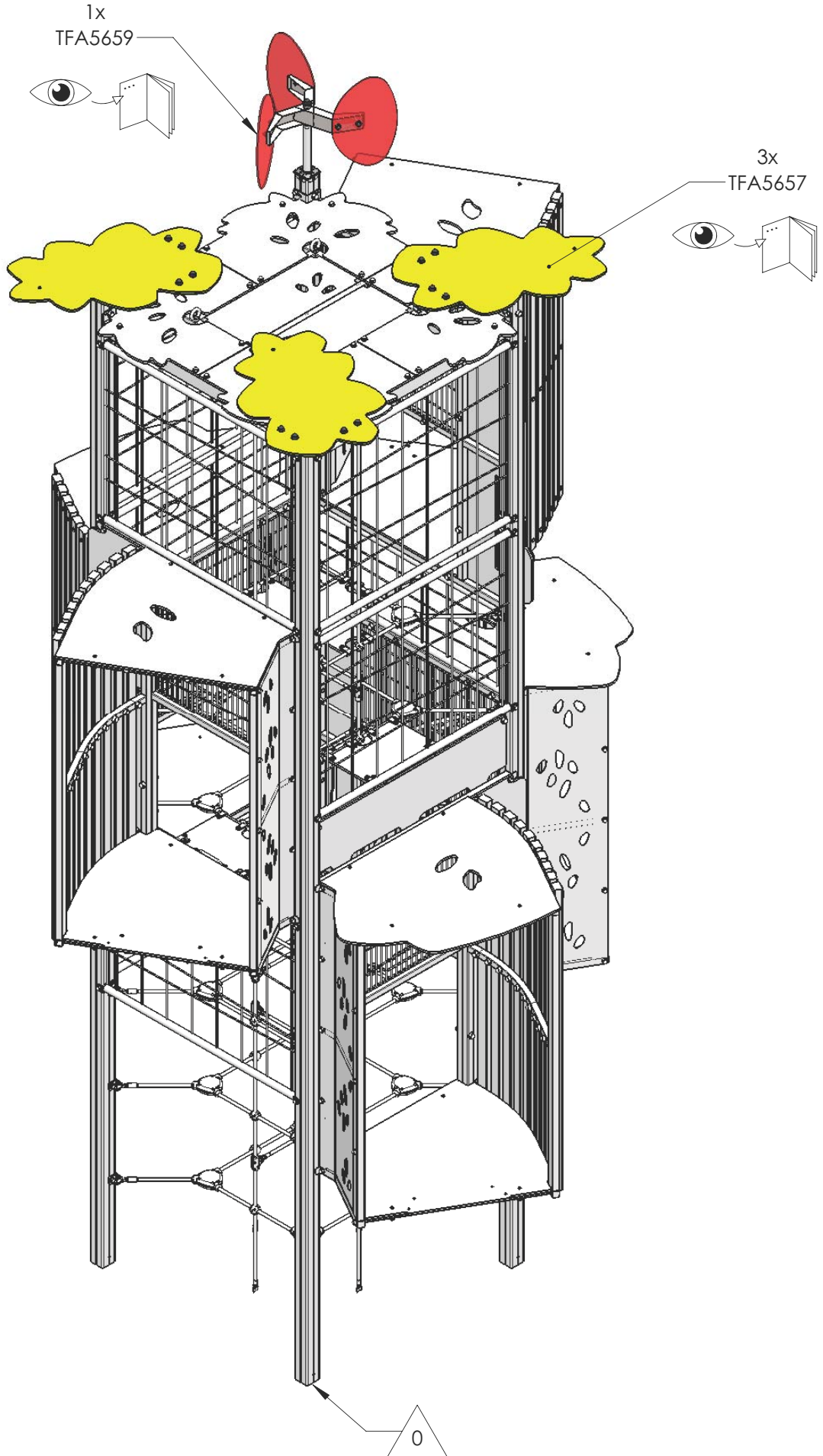
- 7 => G
- 6 => F
- 5 => E
- 4 => F
- 3 => G
- 2 => G
- 1 => G



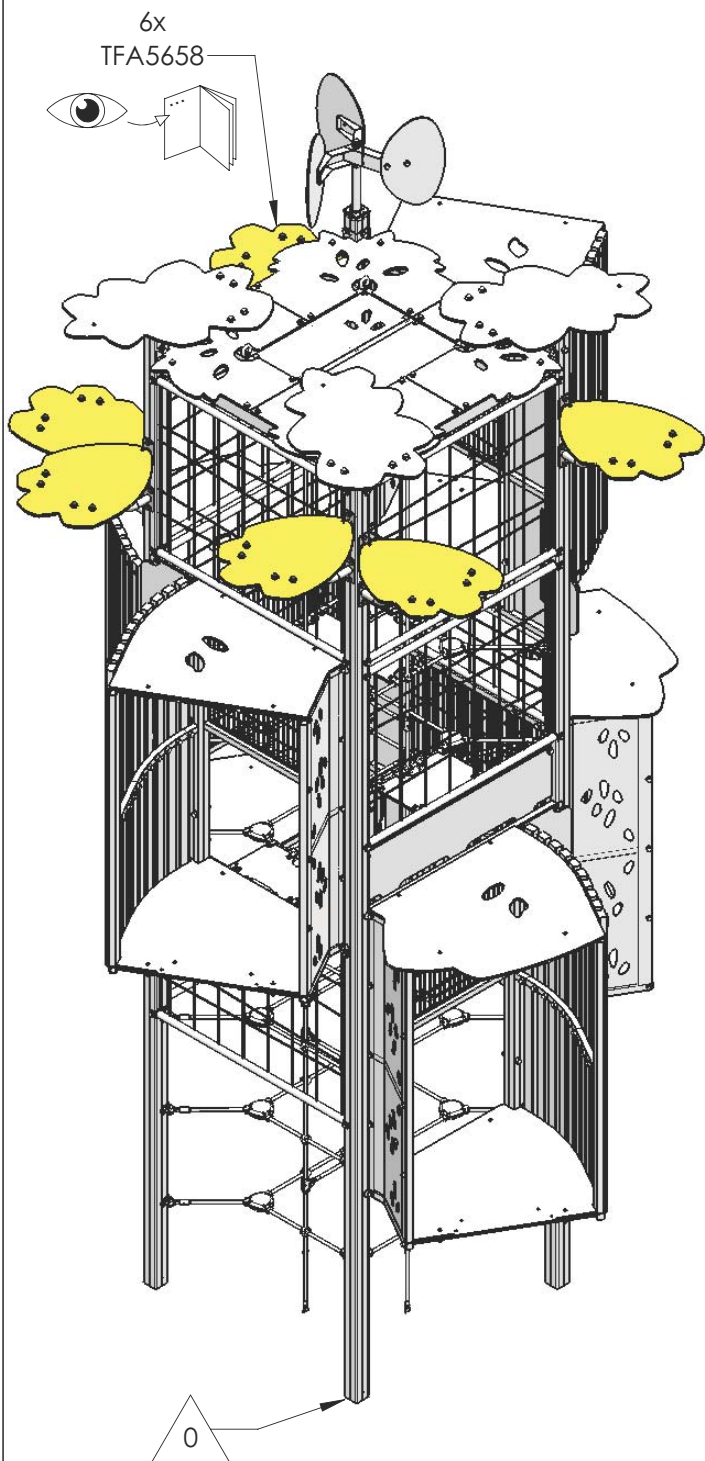
10



11



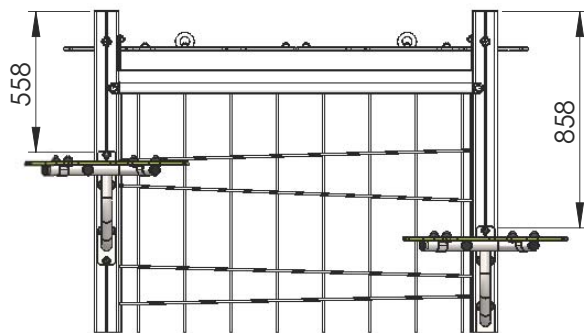
12



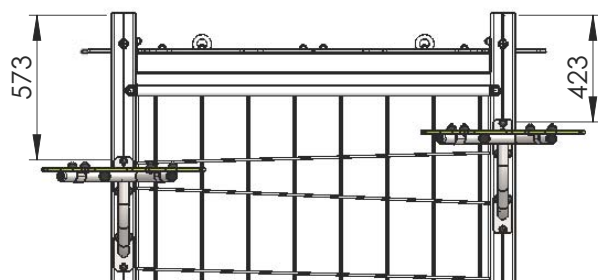
A

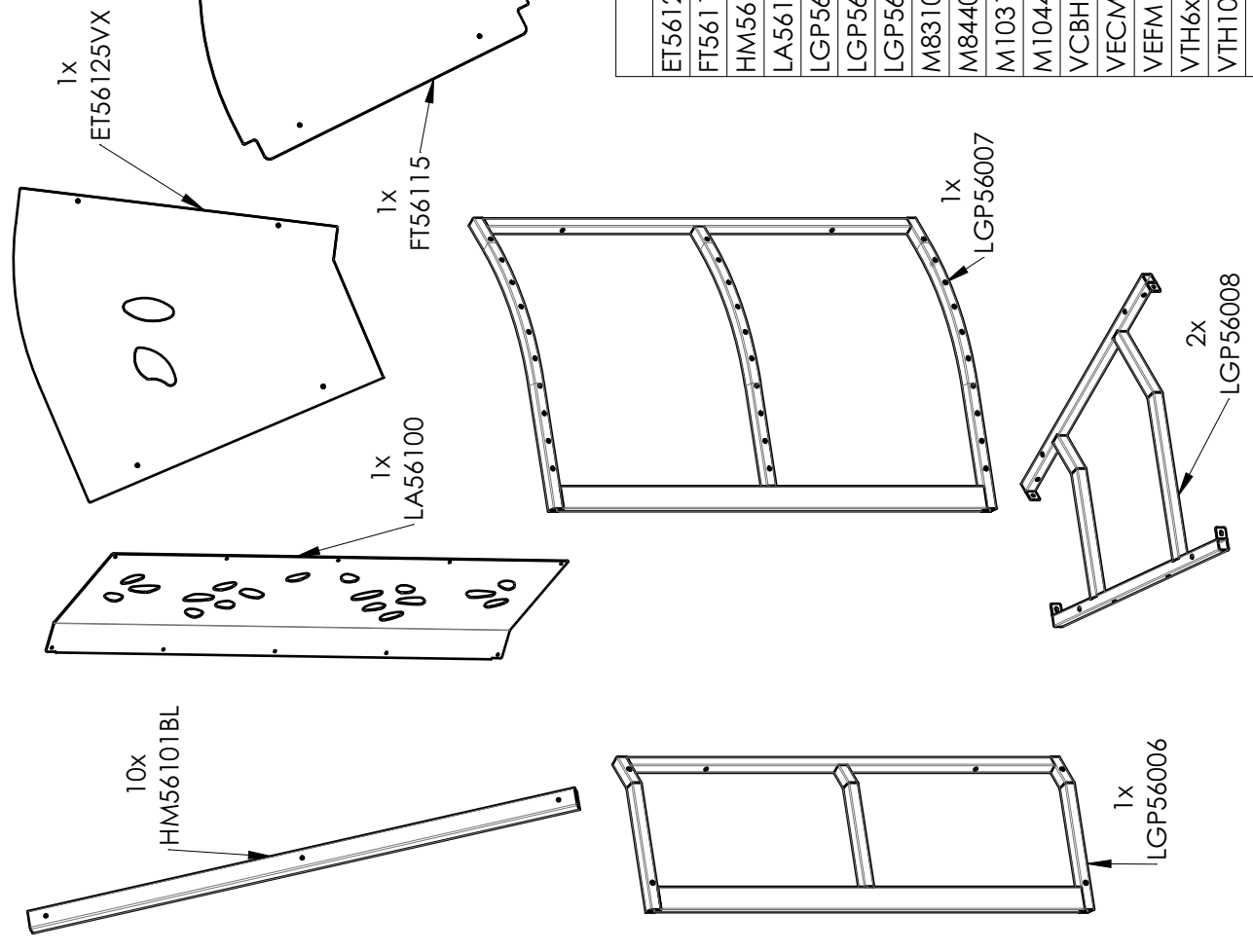
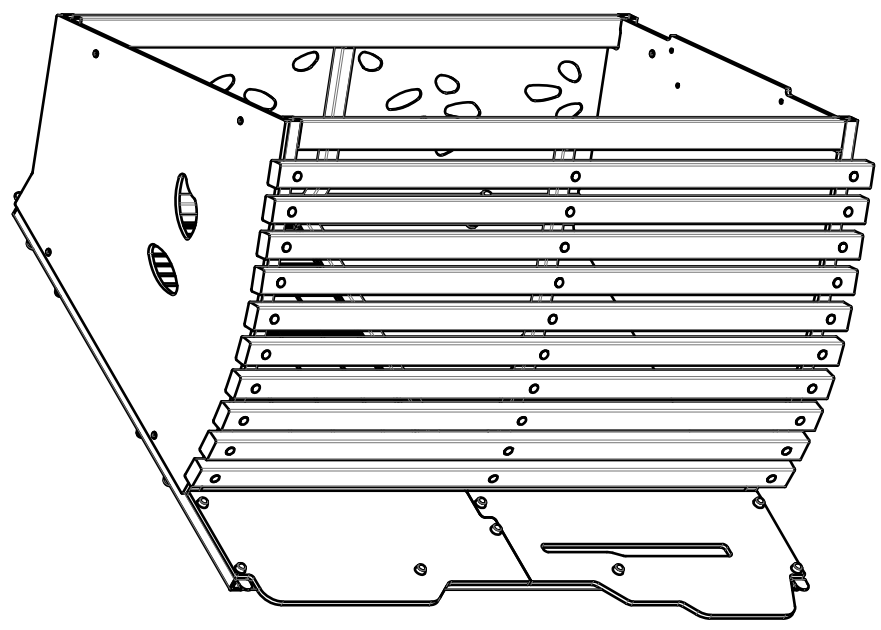


B



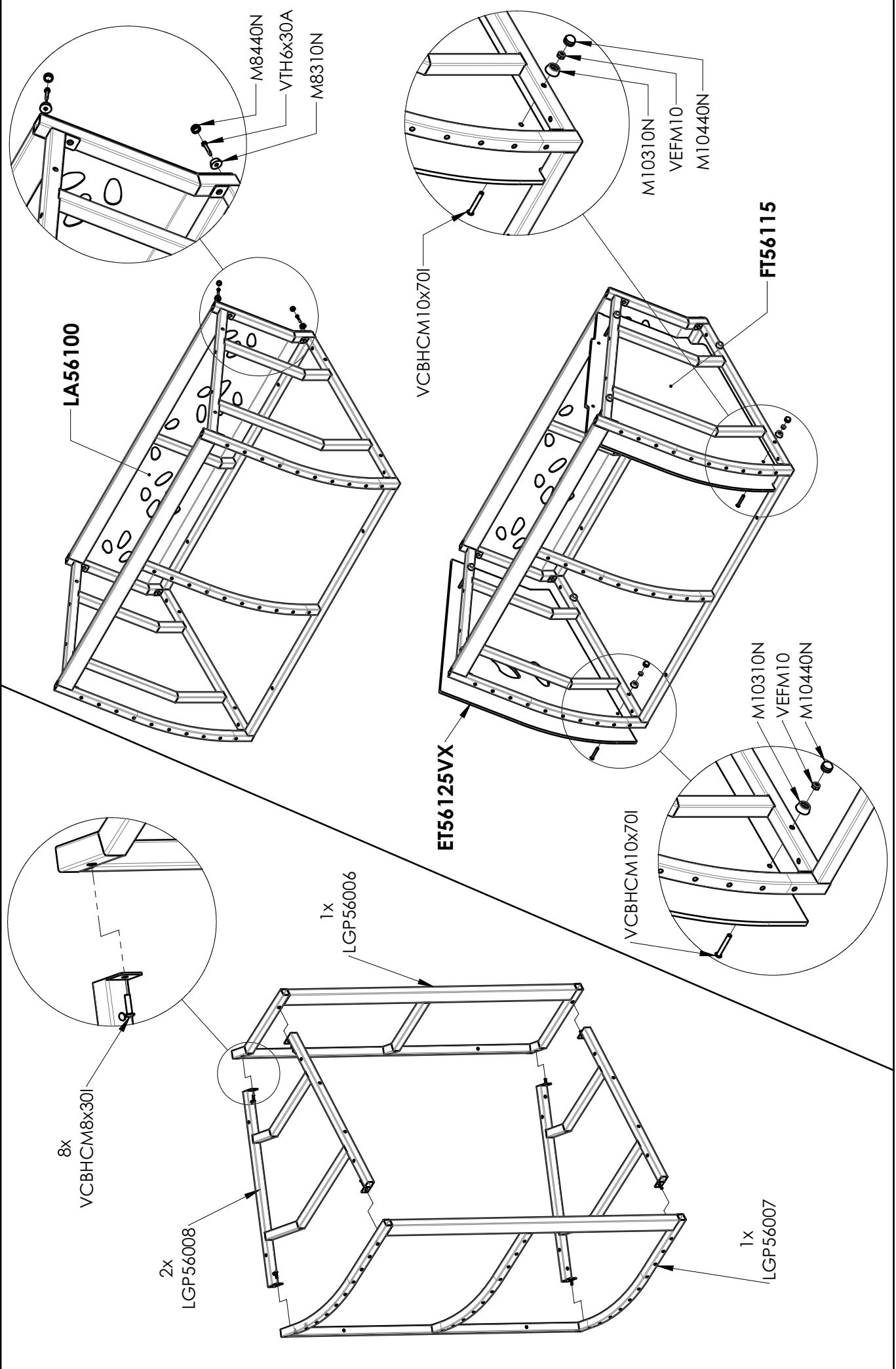
D

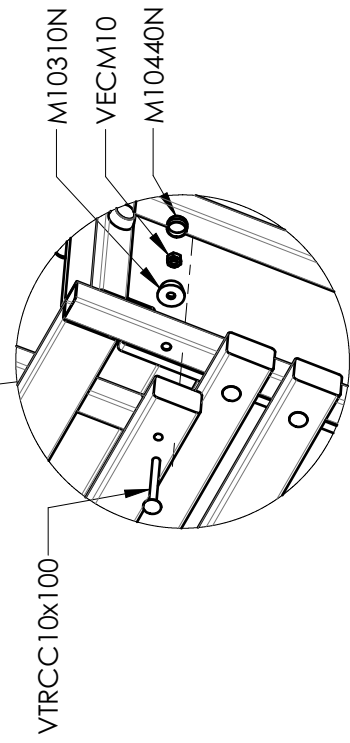
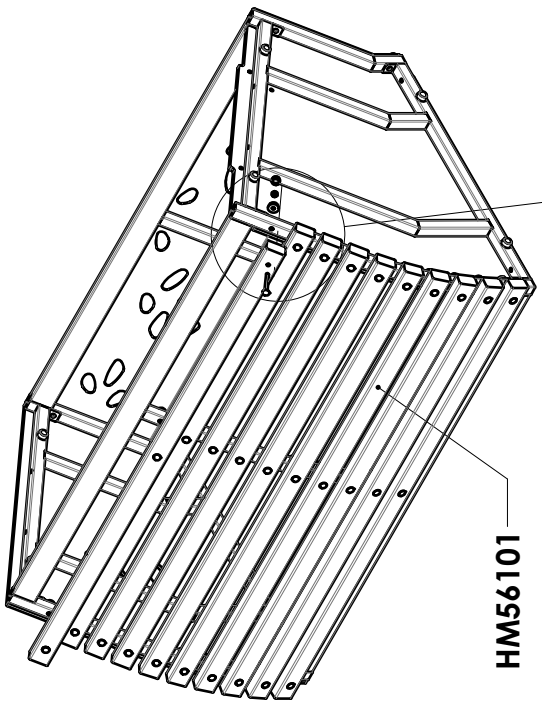
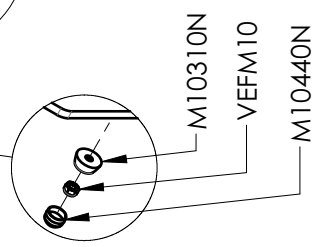
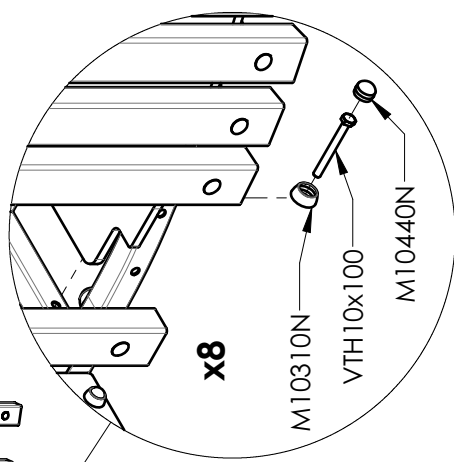
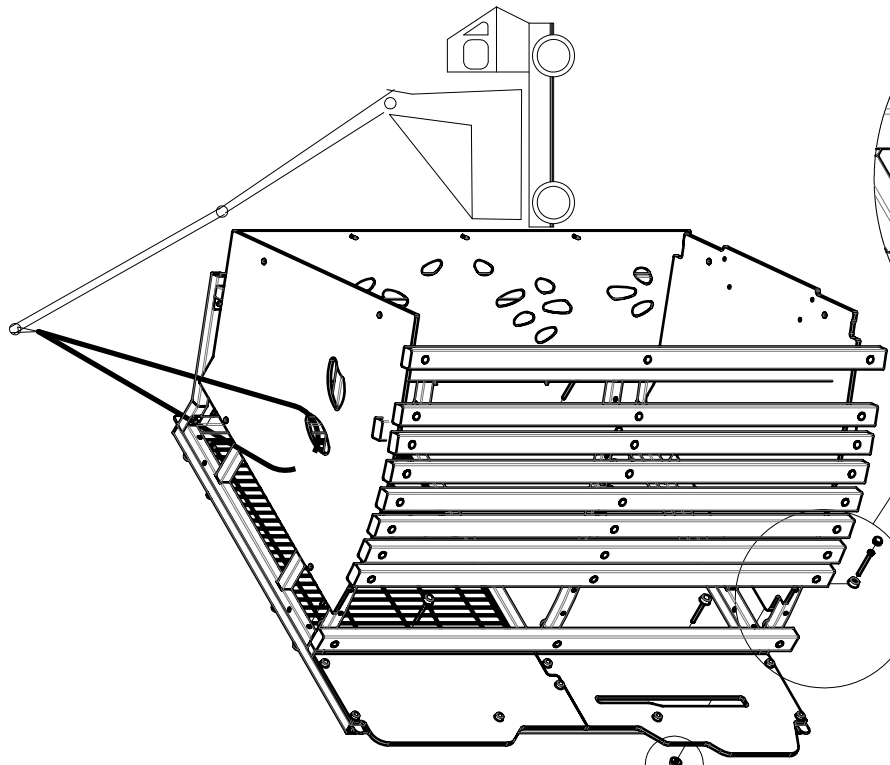


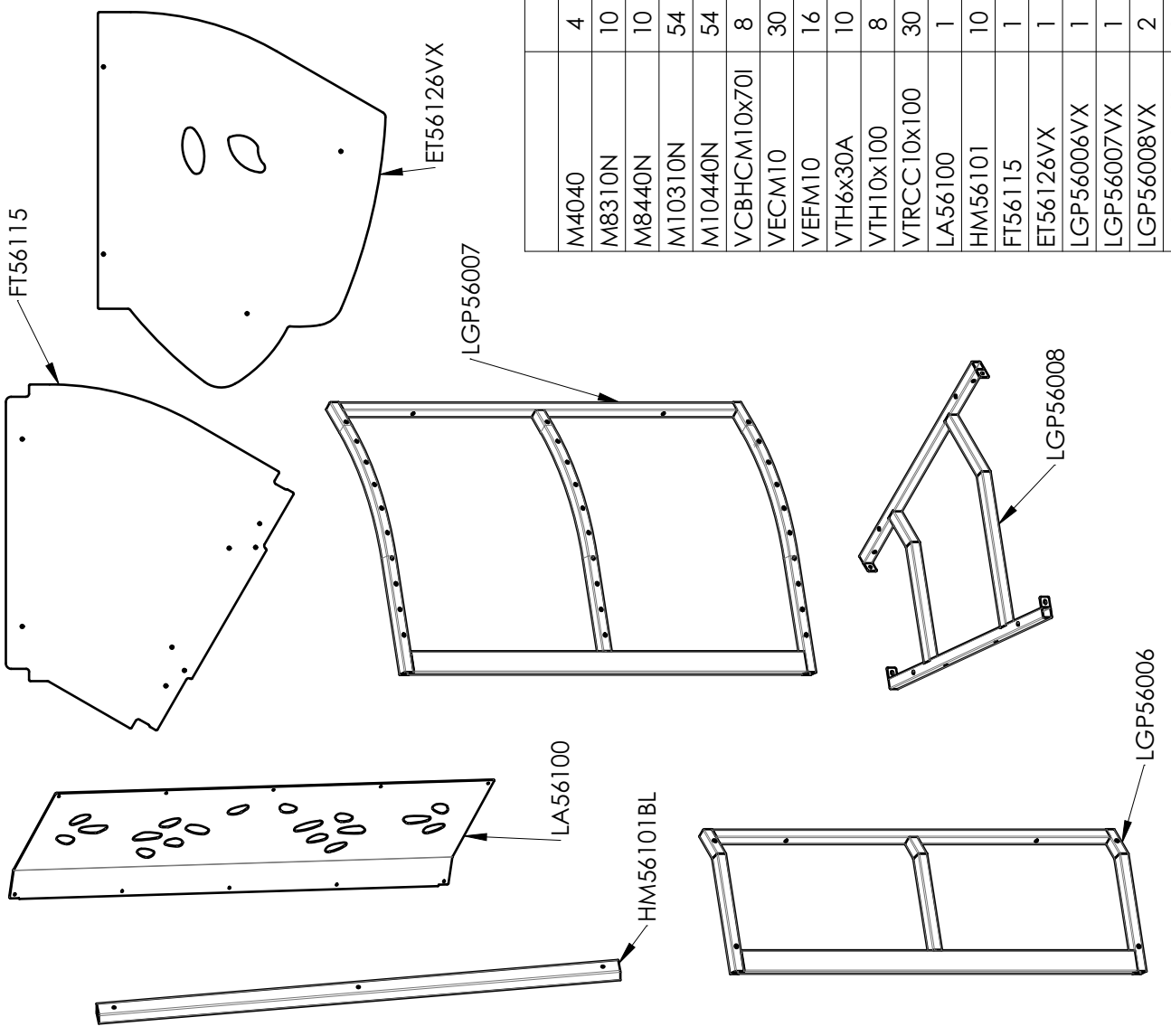
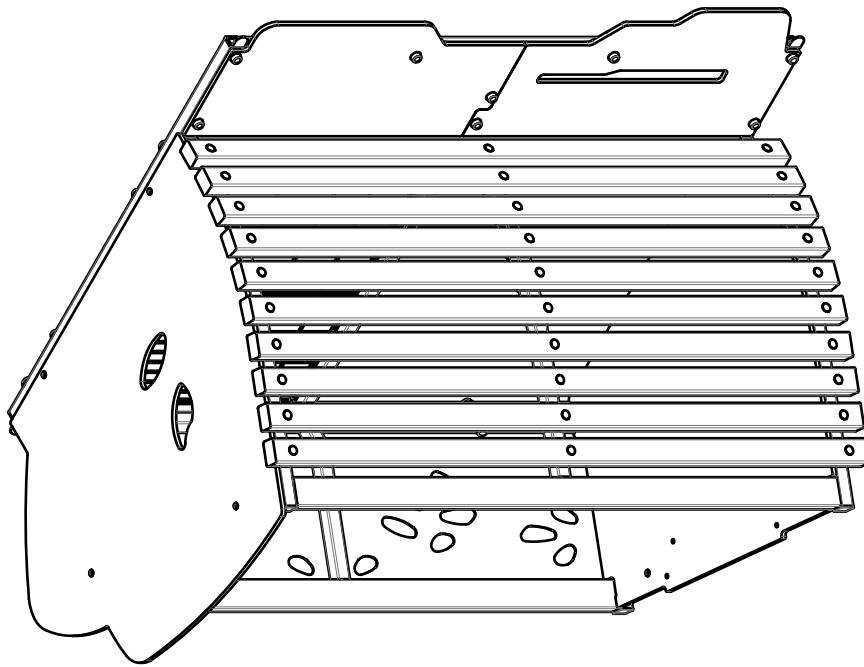


ET56125VX	1
FT56115	1
HM56101	10
LA56100	1
LGP56006VX	1
LGP56007VX	1
LGP56008VX	2
M8310N	10
M8440N	10
M10310N	54
M10440N	54
VCBHC M10x70I	8
VECM10	30
VEFM10	16
VTH6x30A	10
VTH10x100	8
VTRCC10x100	30
VCBHC M8x30I	8

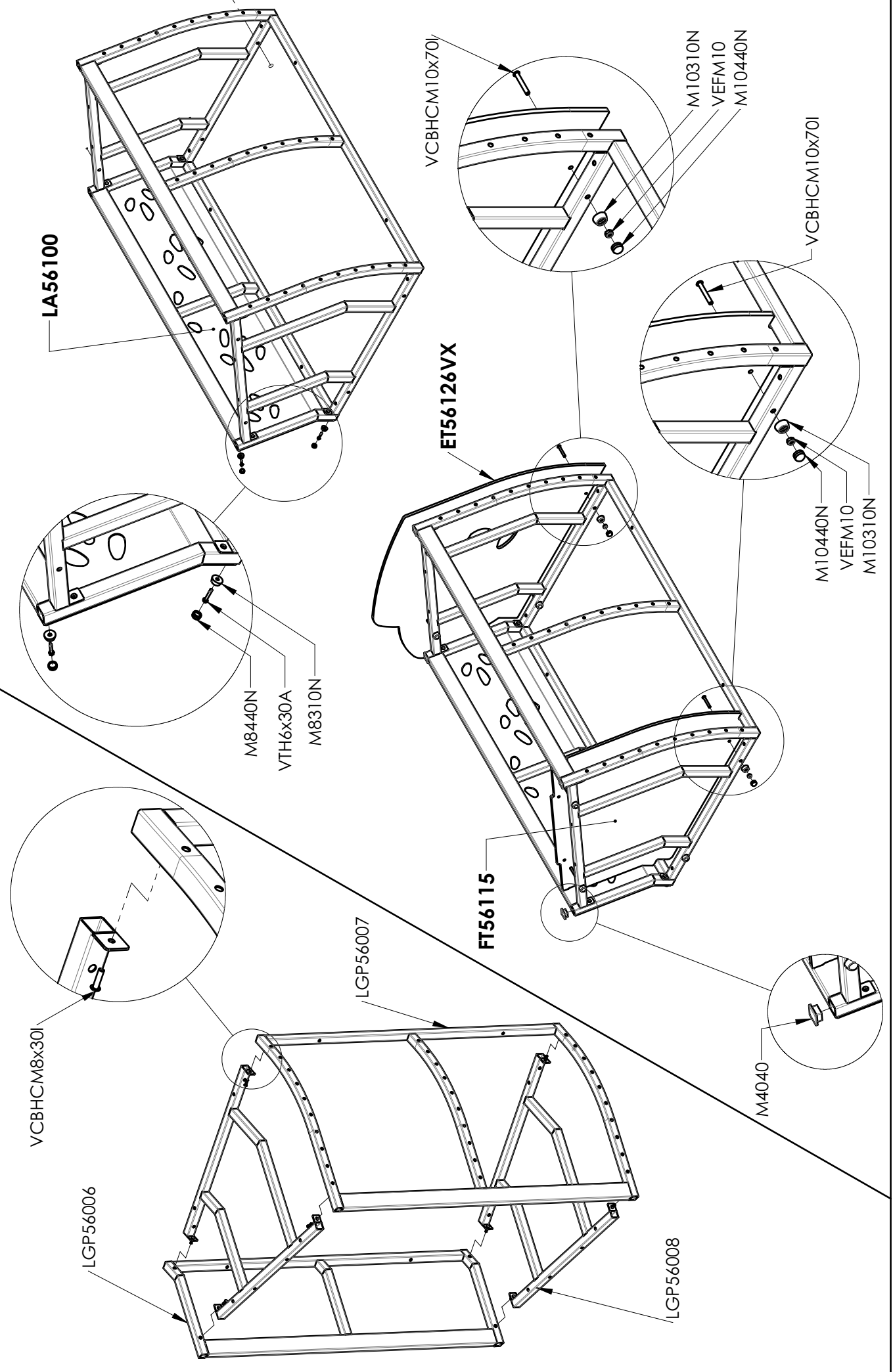


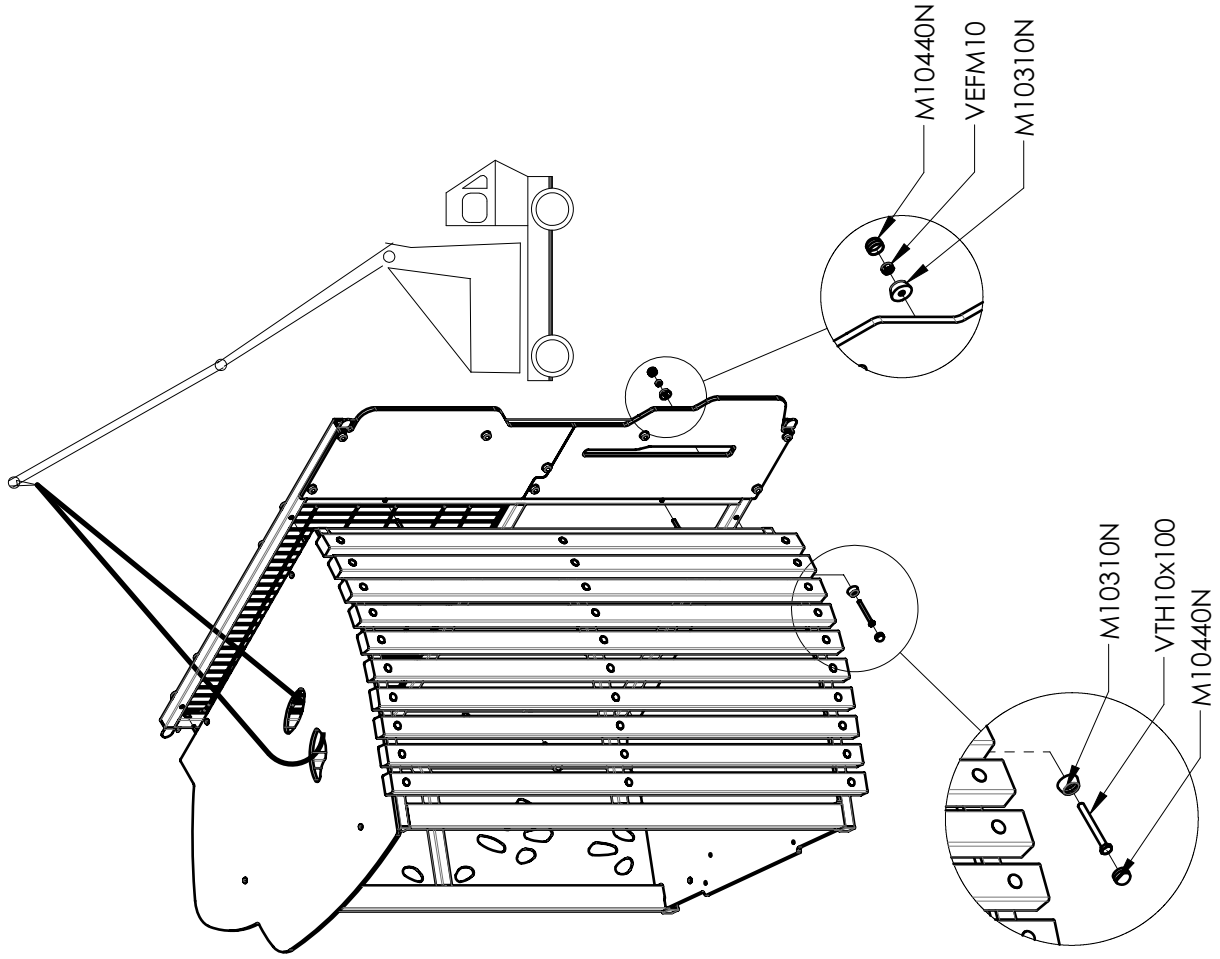
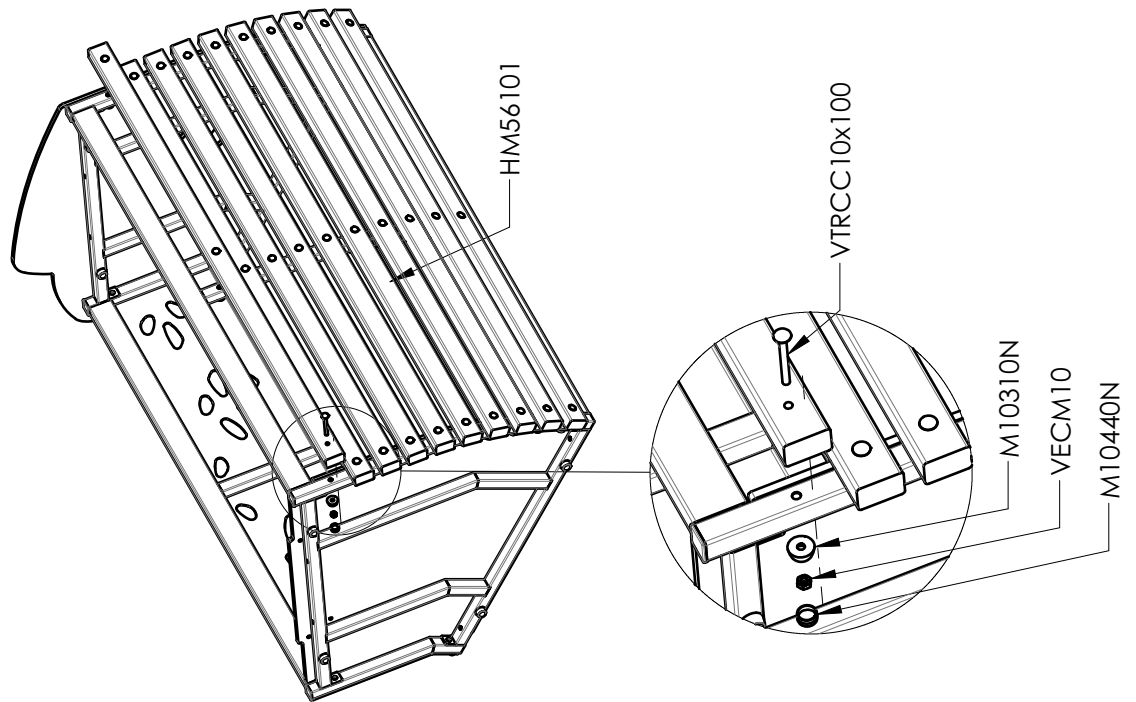




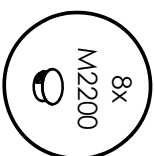
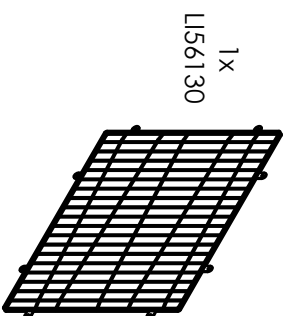
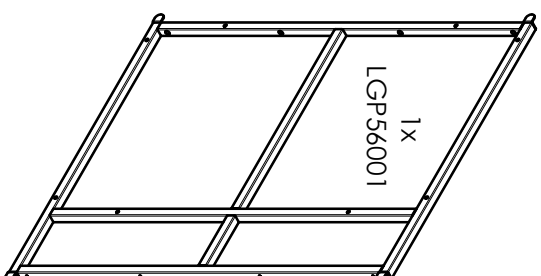
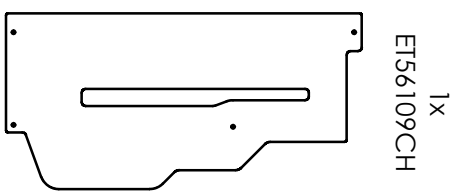
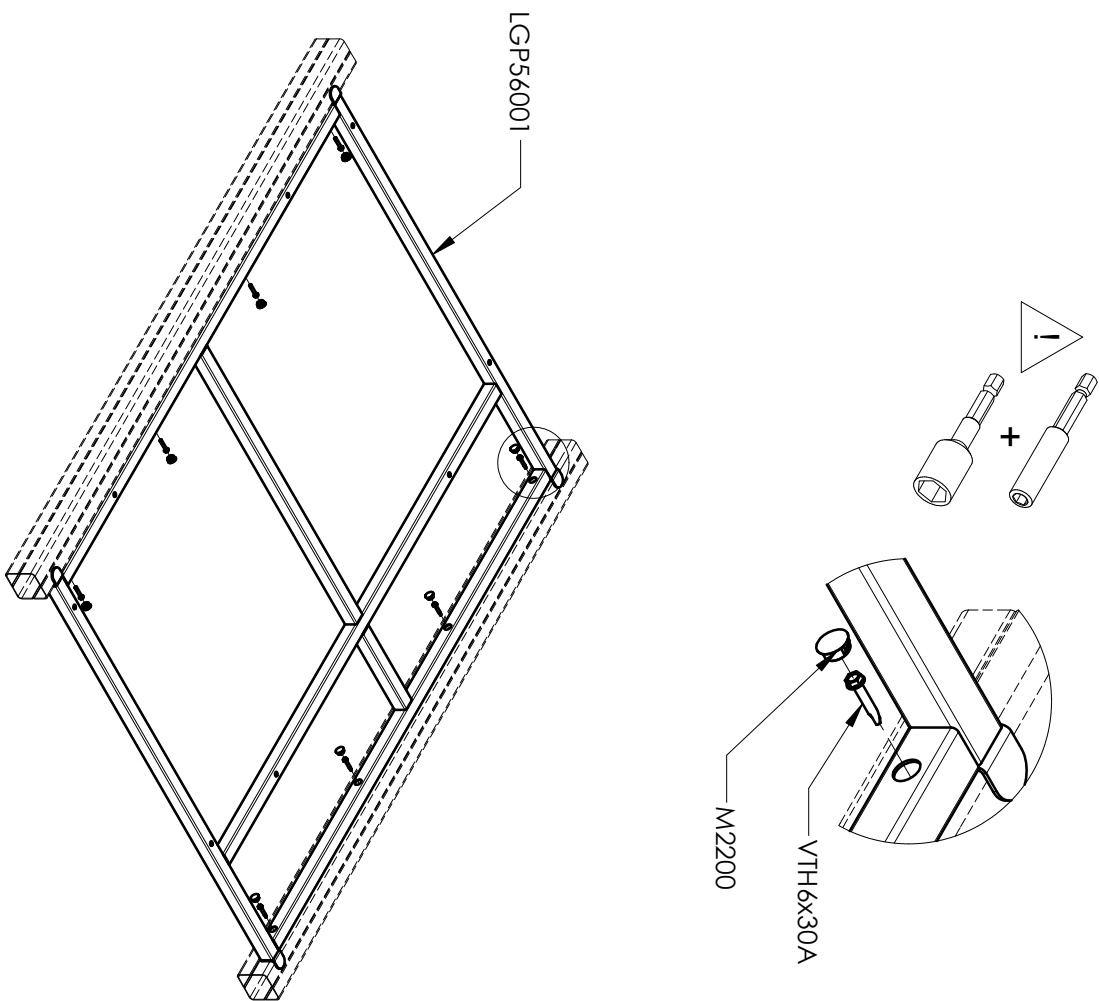


M4040	4
M8310N	10
M8440N	10
M10310N	54
M10440N	54
VCBHCM10x70I	8
VECM10	30
VEFM10	16
VTH6x30A	10
VTH10x100	8
VTRCC10x100	30
LA56100	1
HM56101	10
FT56115	1
ET56126VX	1
LGP56006VX	1
LGP56007VX	1
LGP56008VX	2
VCBHC8x30I	8



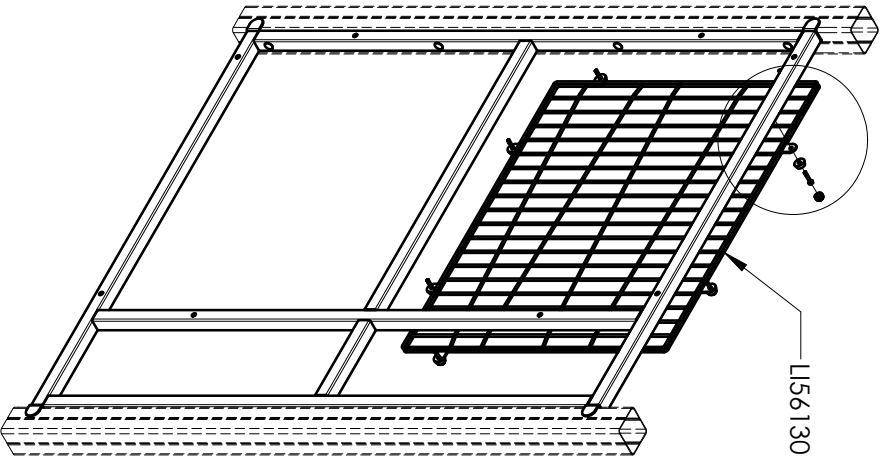
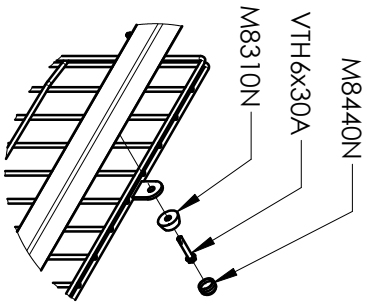


1

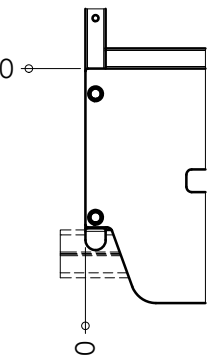
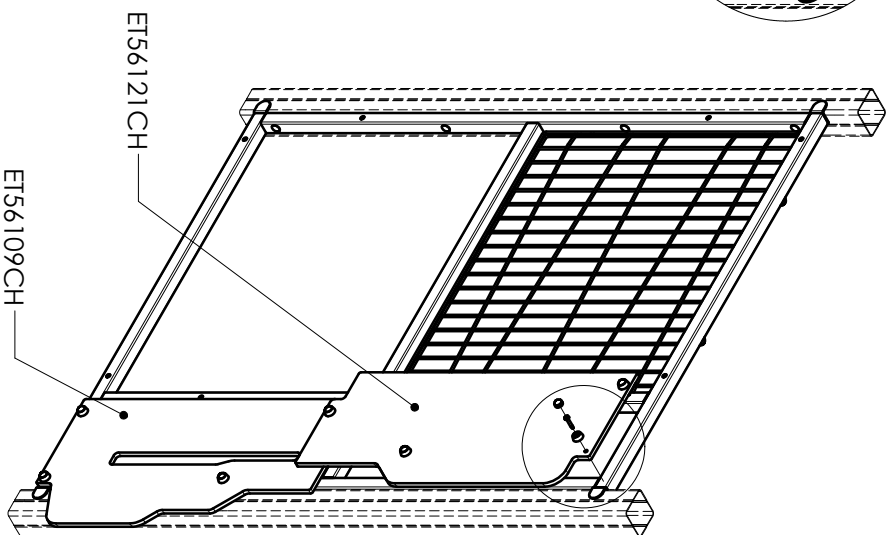
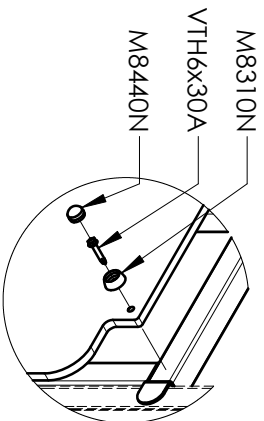


ET56109CH	1
ET56121CH	1
LGP56001	1
LI56130	1
M2200	8
M8310N	16
M8440N	16
VTH6x30A	24

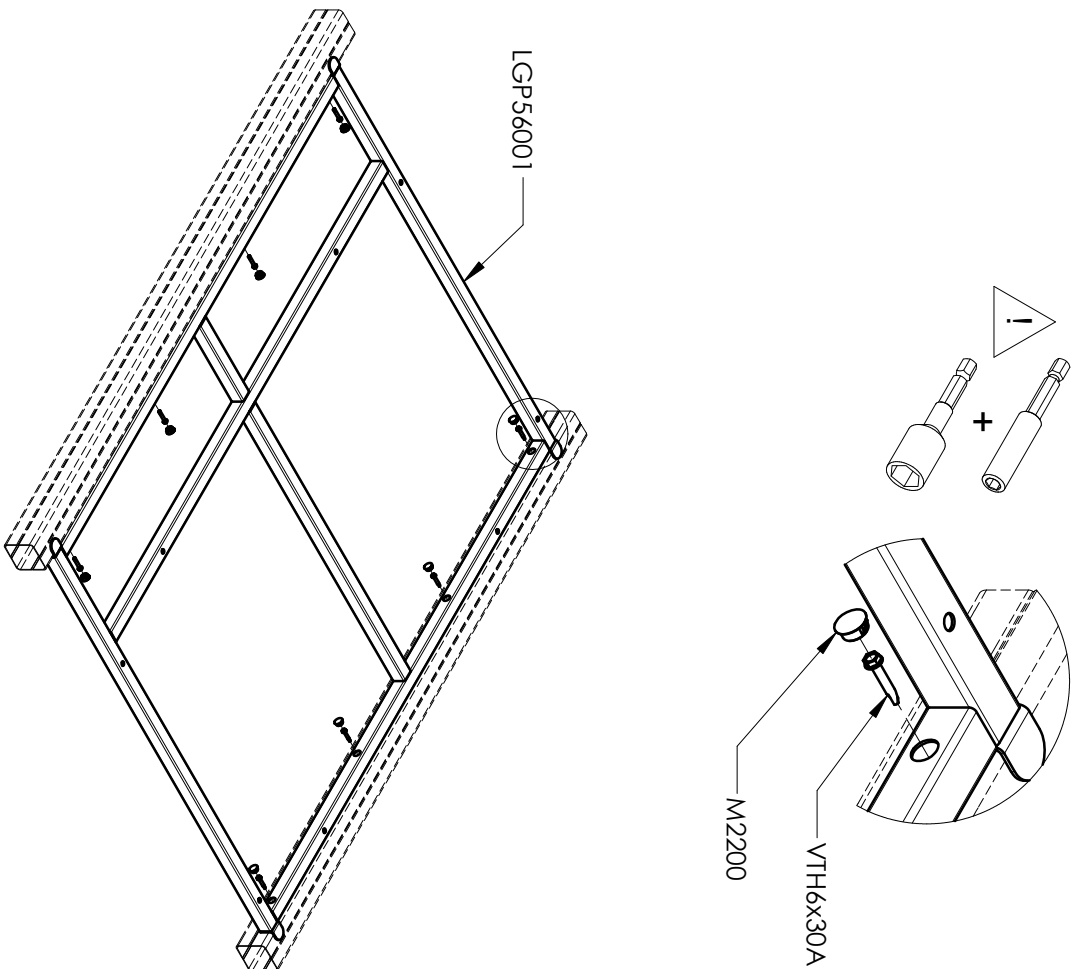
2



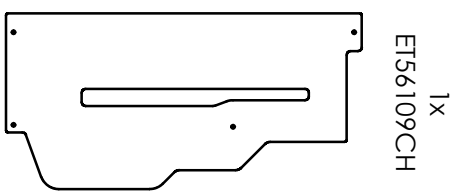
3



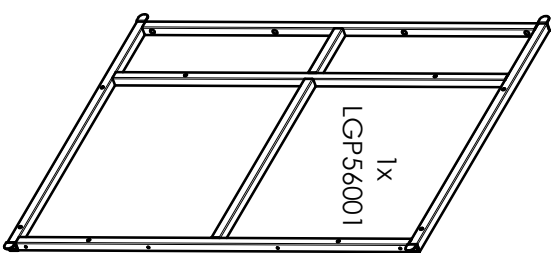
1



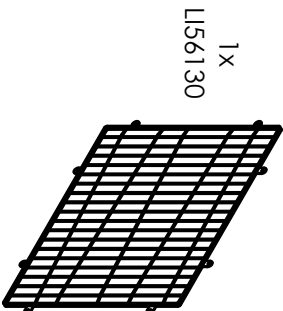
1x  
ET56121CH



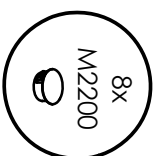
1x  
ET56109CH



1x  
LGP56001



1x  
LI56130

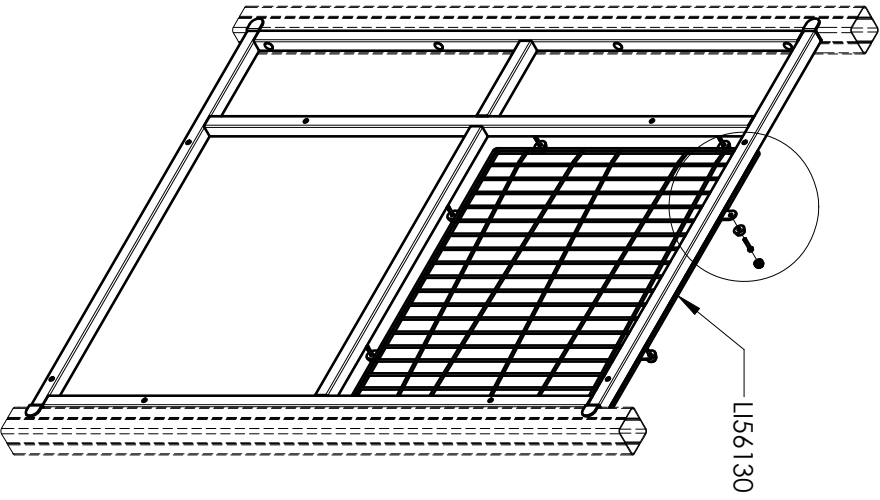
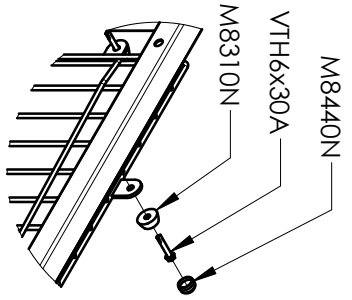


8x  
M2200

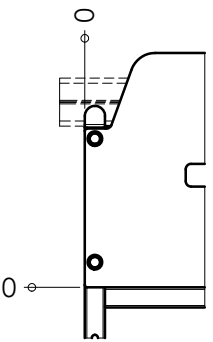
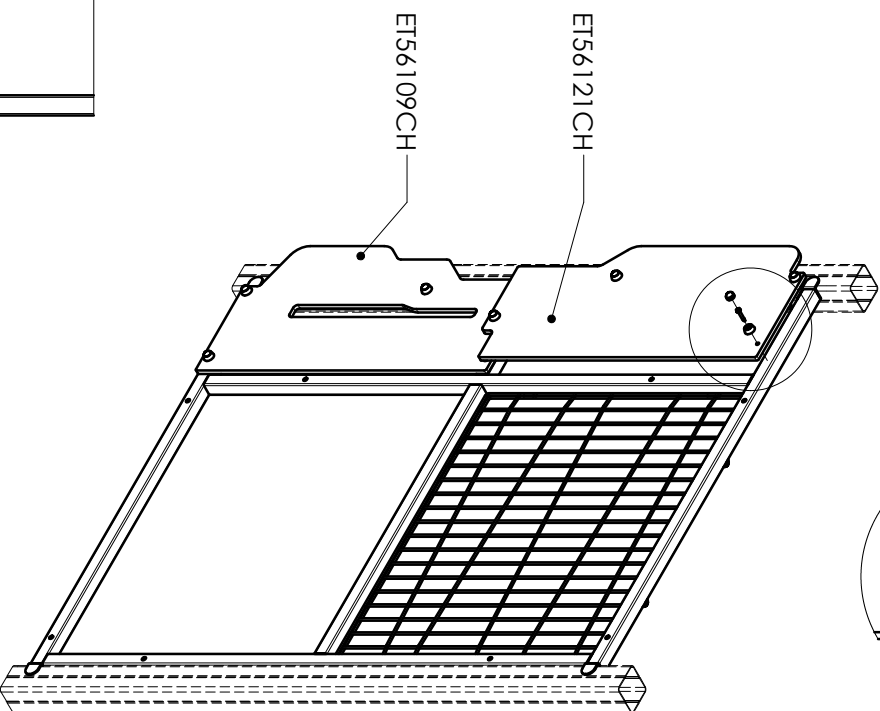
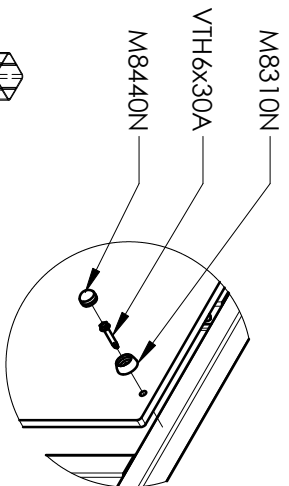
ET56109CH	1
ET56121CH	1
LGP56001	1
LI56130	1
M2200	8
M8310N	16
M8440N	16
VTH6x30A	24

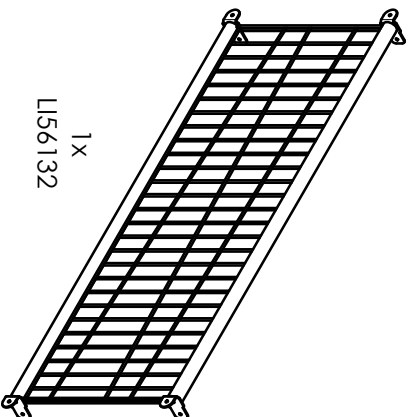
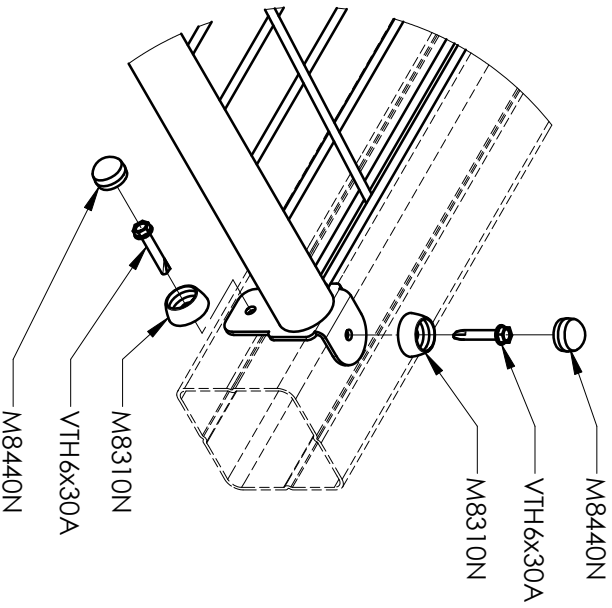
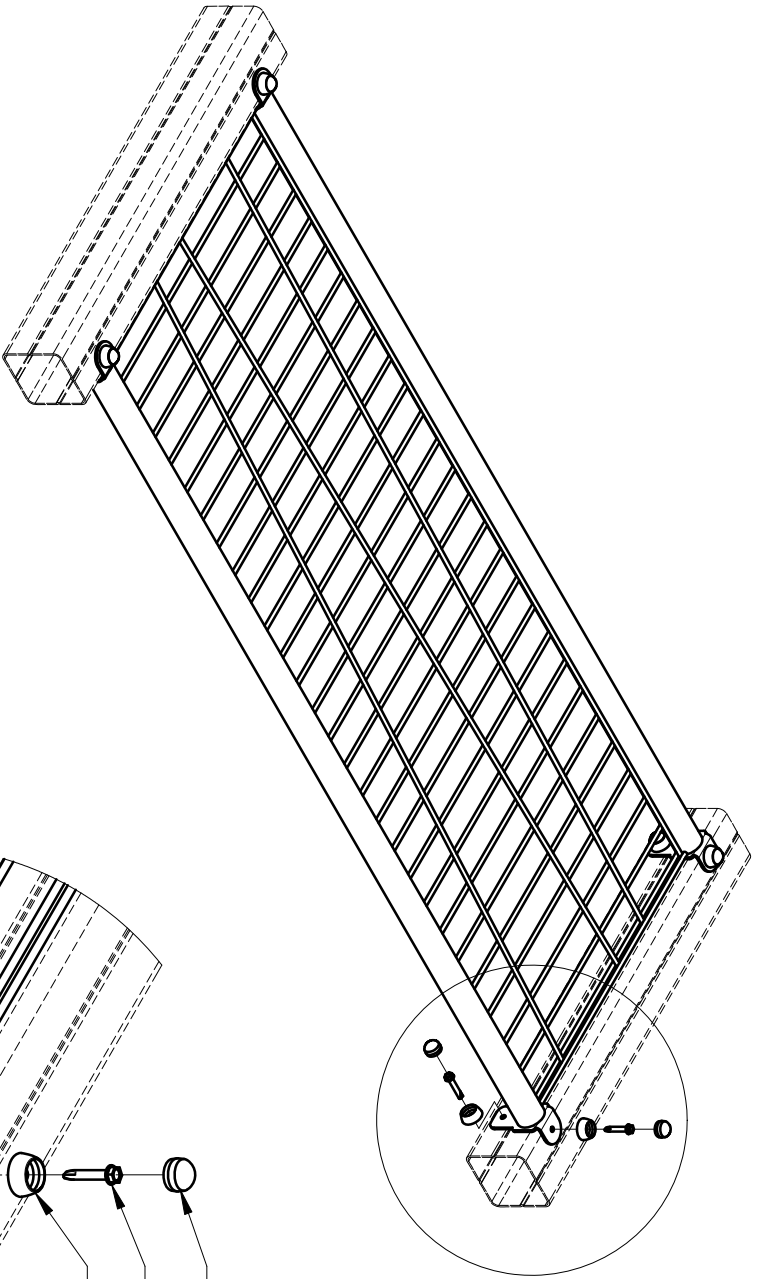


2



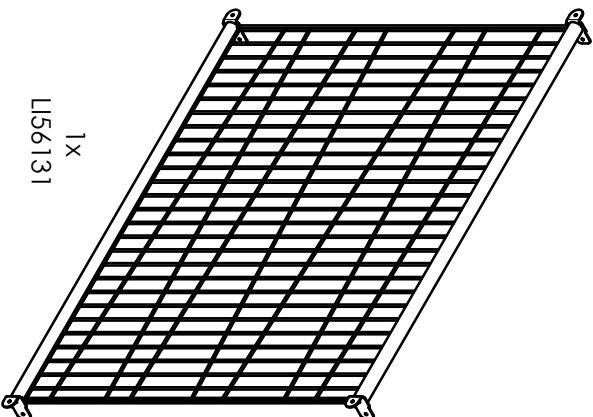
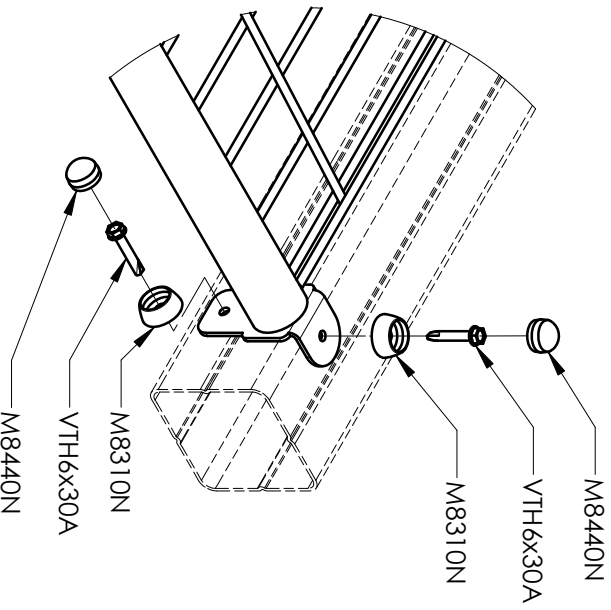
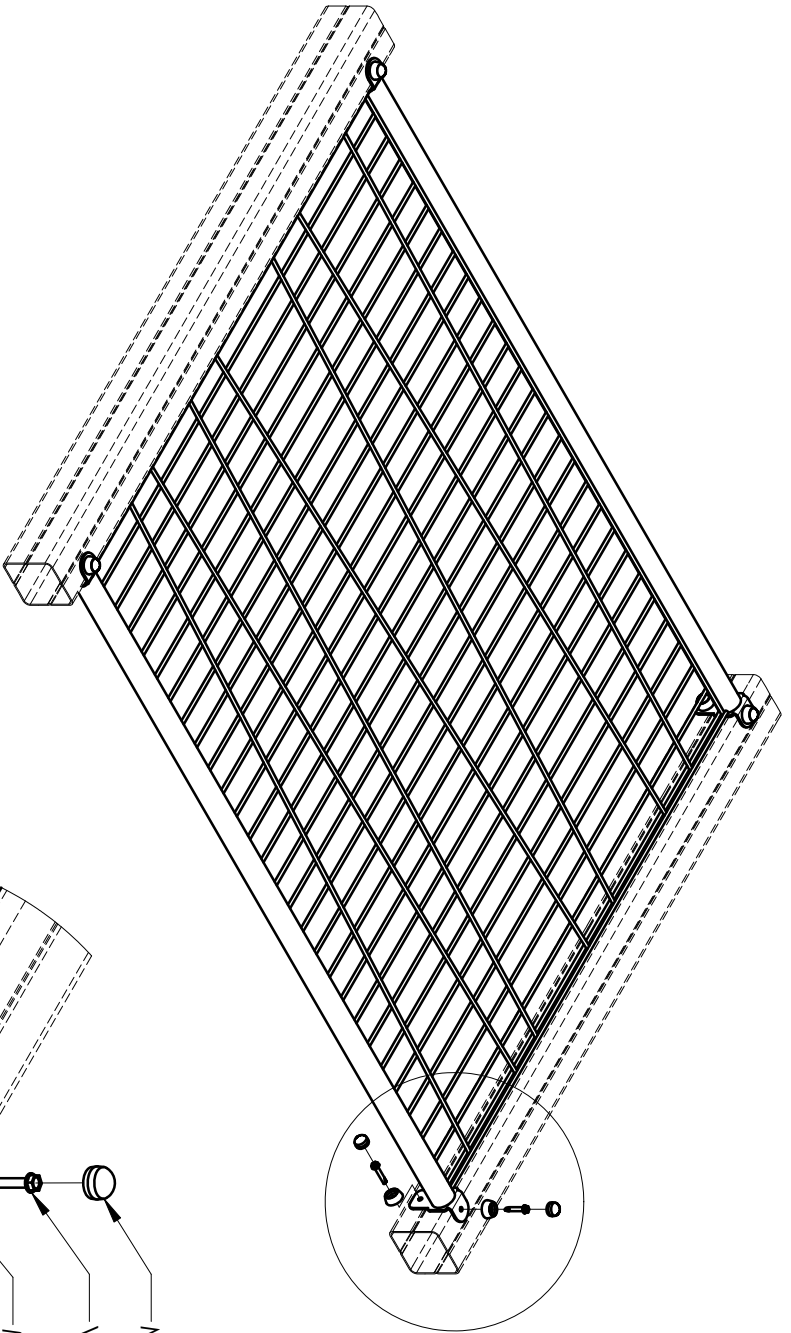
3





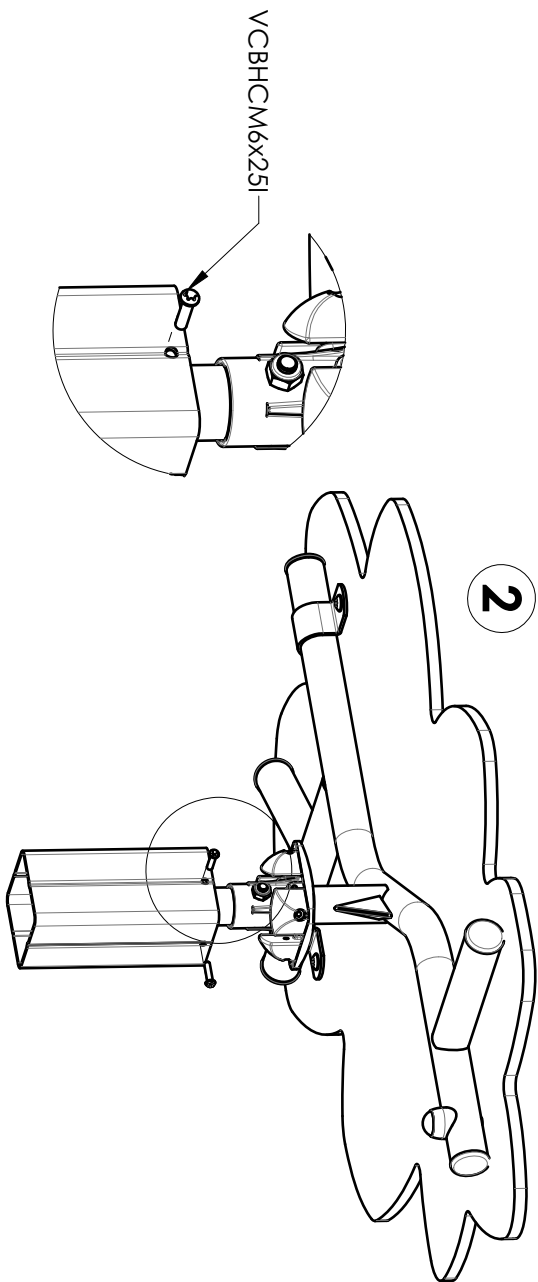
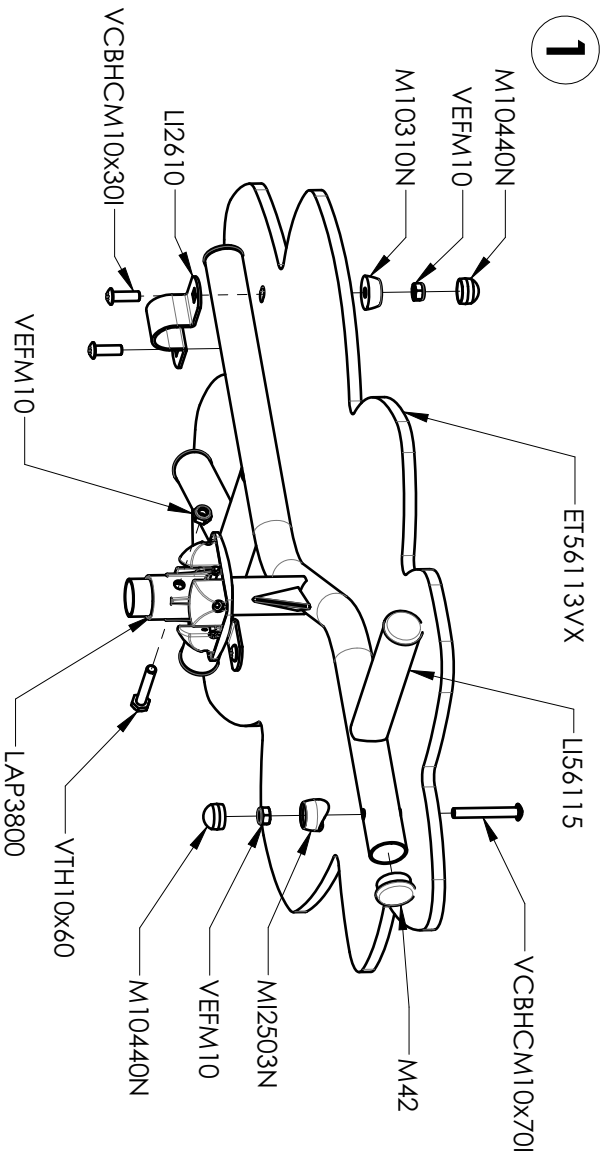
1x  
L56132

L56132	1
M8310N	8
M8440N	8
VTH6x30A	8

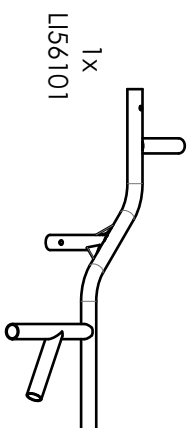


1x  
L56131

L56131	1
M8310N	8
M8440N	8
VTH6x30A	8



1x  
ET56113VX

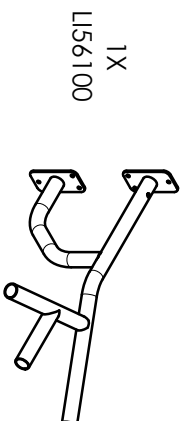
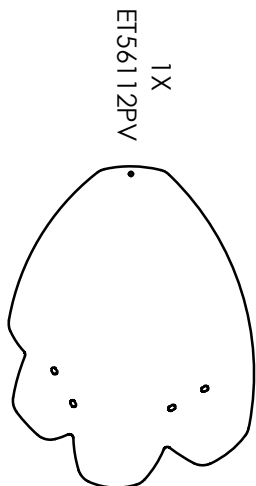
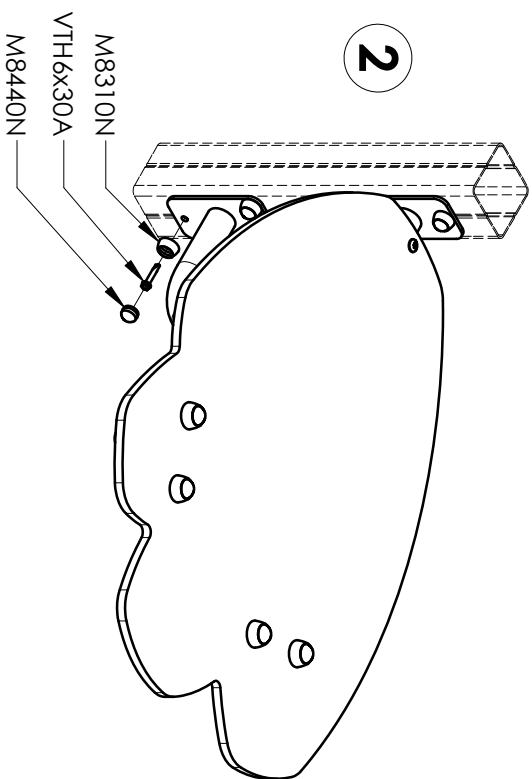
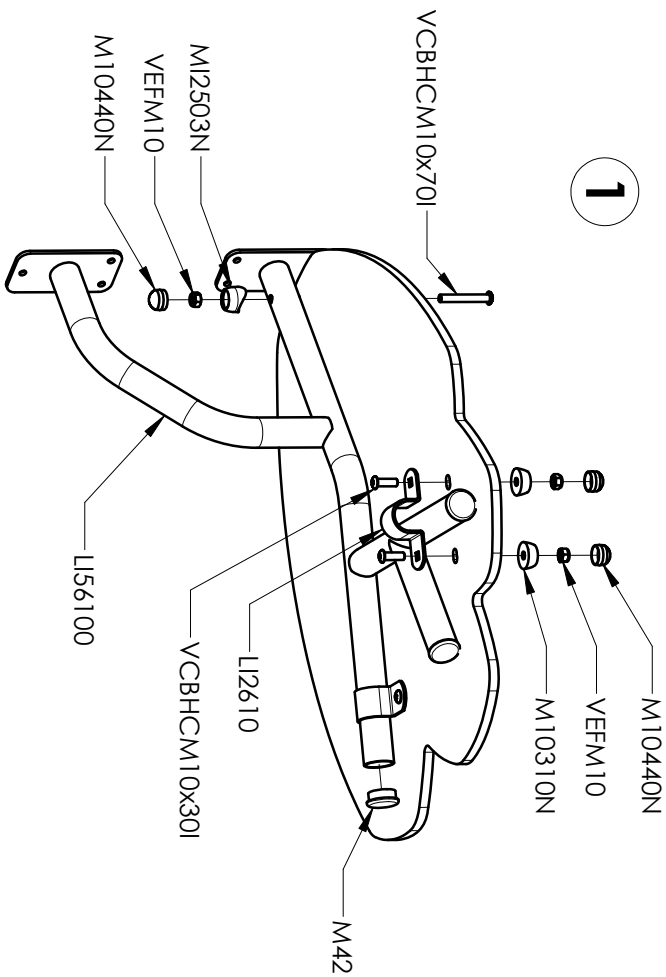


1x  
LIS6101

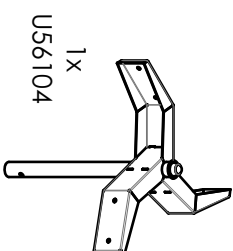
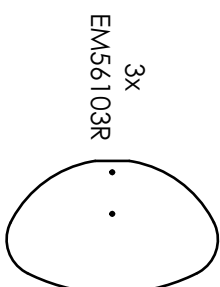
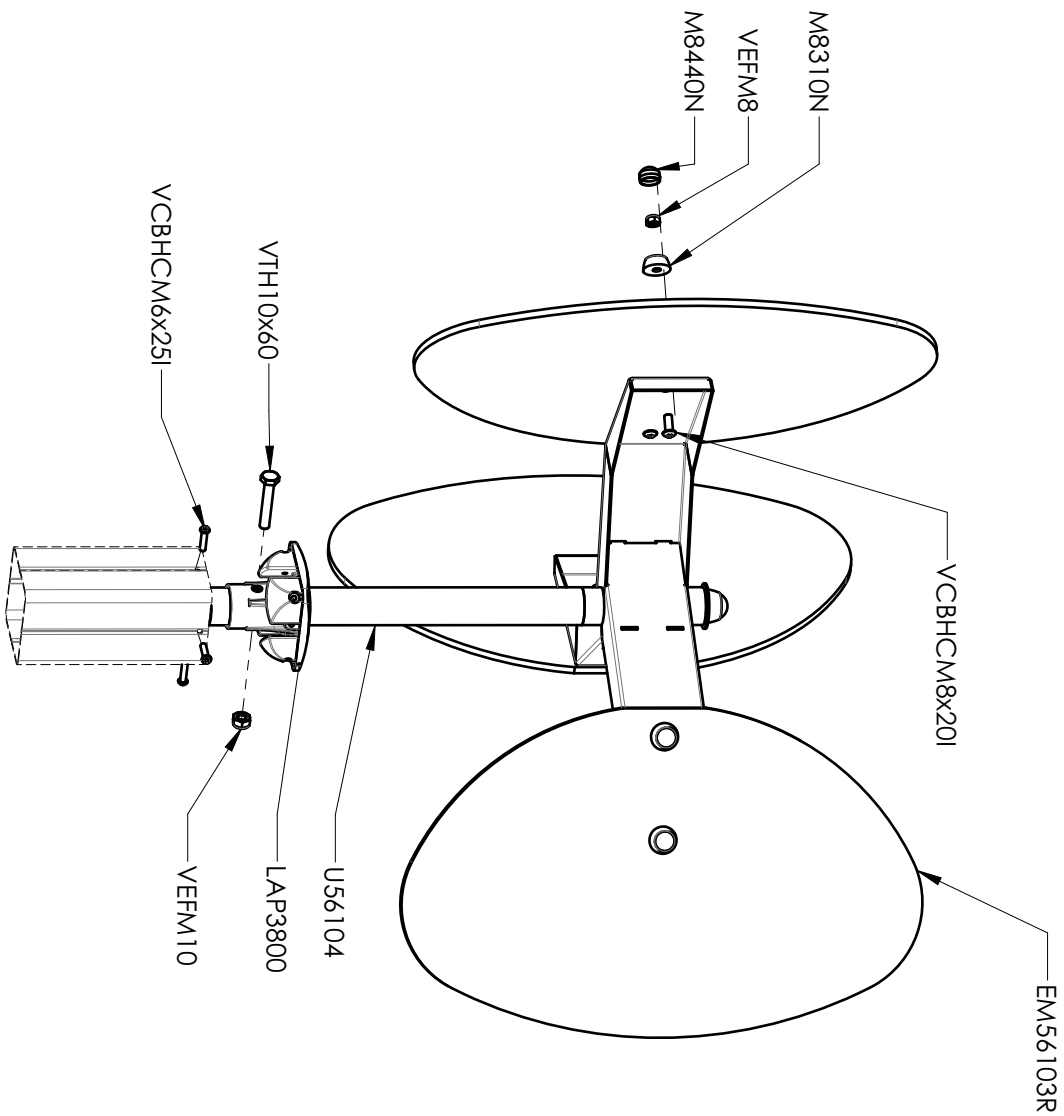


1x  
L12610

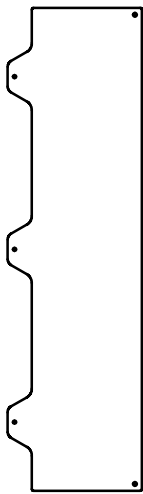
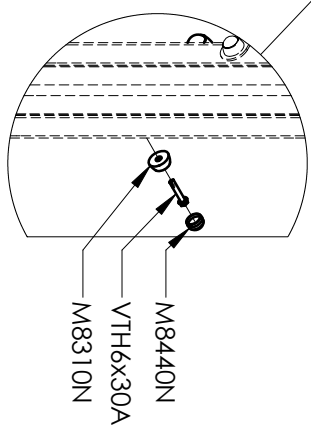
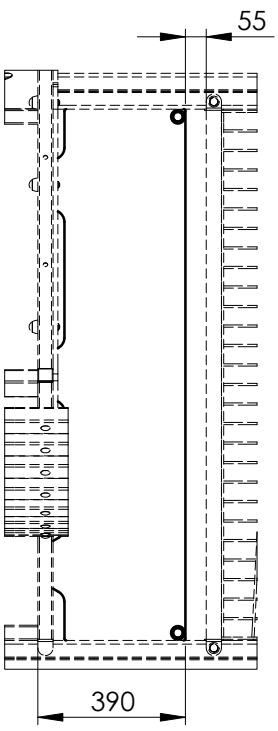
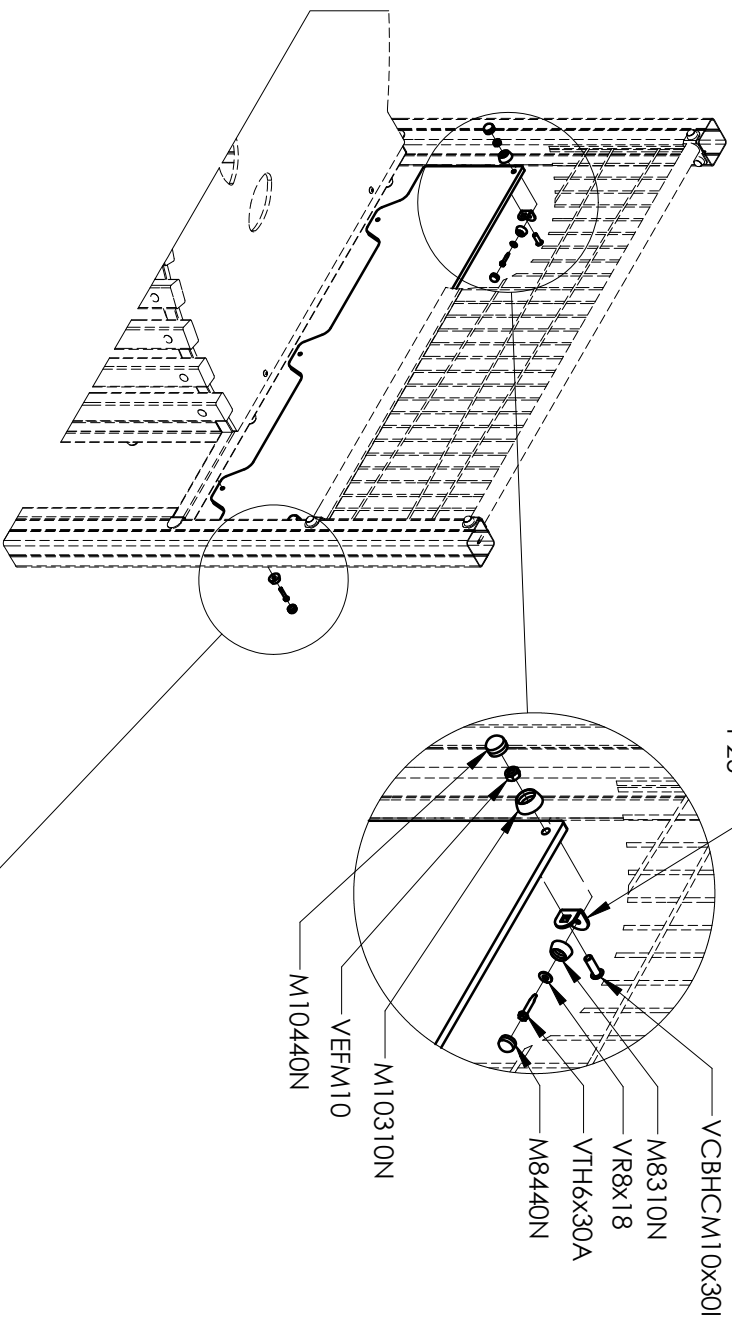
ET56113VX	1
LAP3800	1
L12610	2
LIS6101	1
M42	5
M10310N	4
M10440N	5
M12503N	1
VCBHCM6x25I	4
VCBHCM10x30I	4
VCBHCM10x70I	1
VEFM10	6
VTH10x60	1



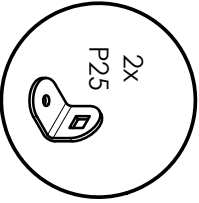
ET56112PV	1
L12610	2
L156100	1
M42	3
M8310N	6
M8440N	6
M10310N	4
M10440N	5
M12503N	1
VCBHC M10x30I	4
VCBHC M10x70I	1
VEFM10	5
VTH6x30A	6



EM56103R	3
LAP3800	1
M8310N	6
M8440N	6
U56104	1
VCBHCM6x25I	4
VCBHCM8x20I	6
VEFM8	6
VEFM10	1
VTH10x60	1

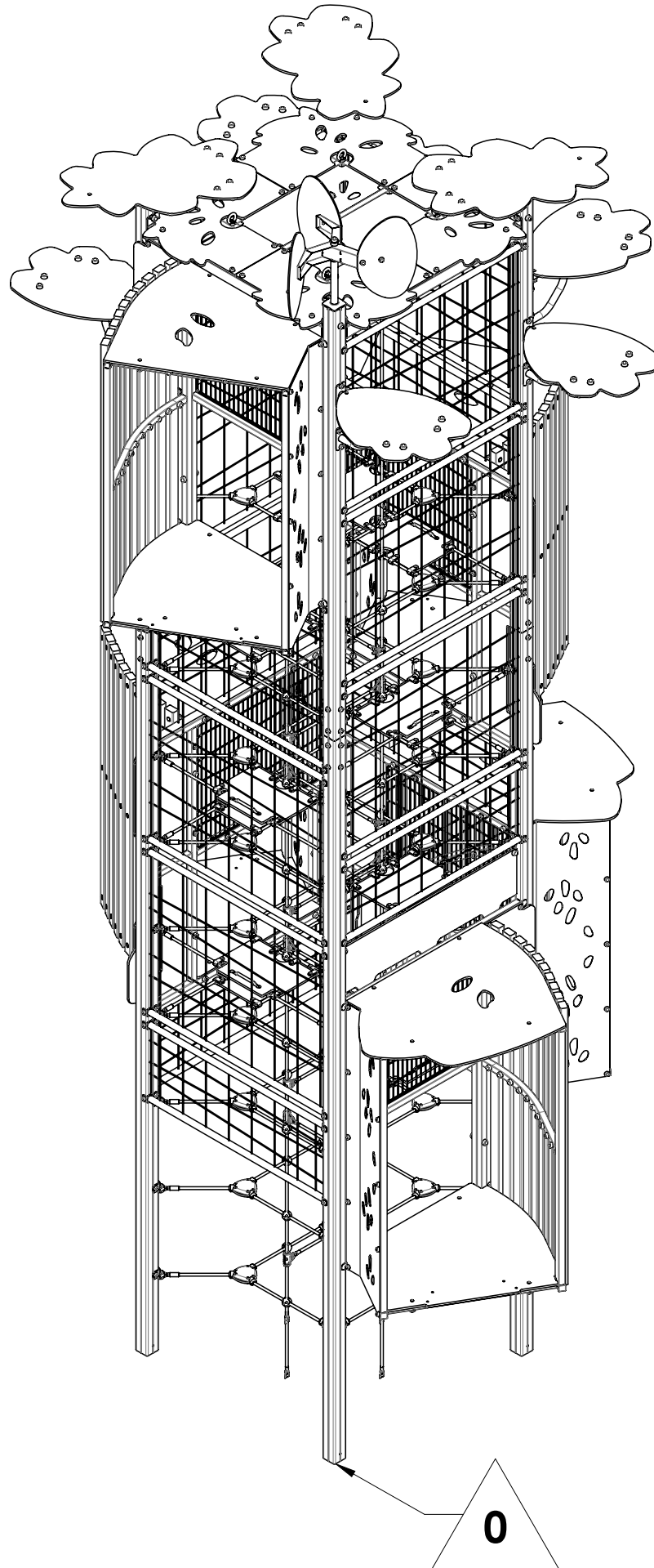


1x  
ET56122CH

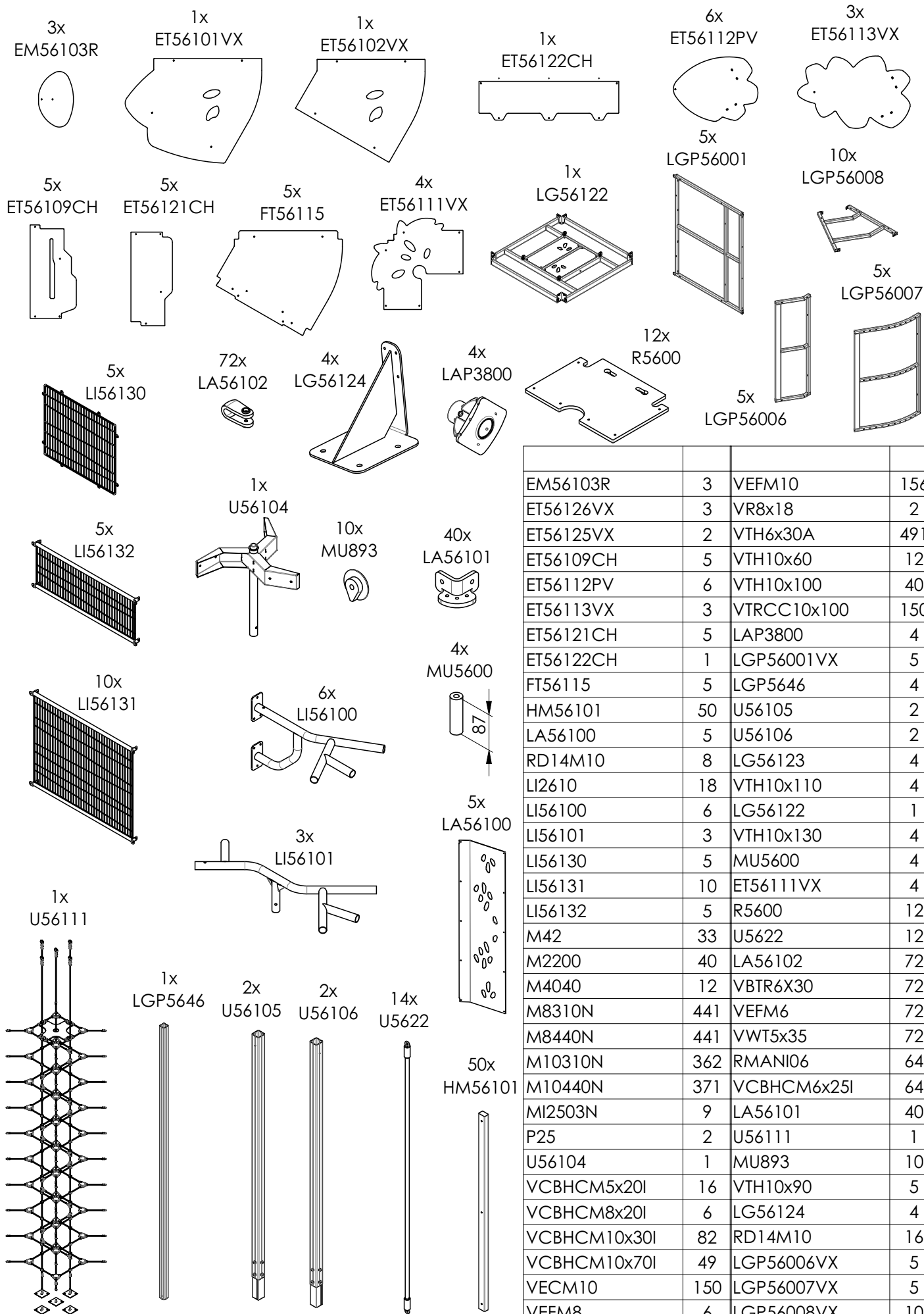


2x  
P25

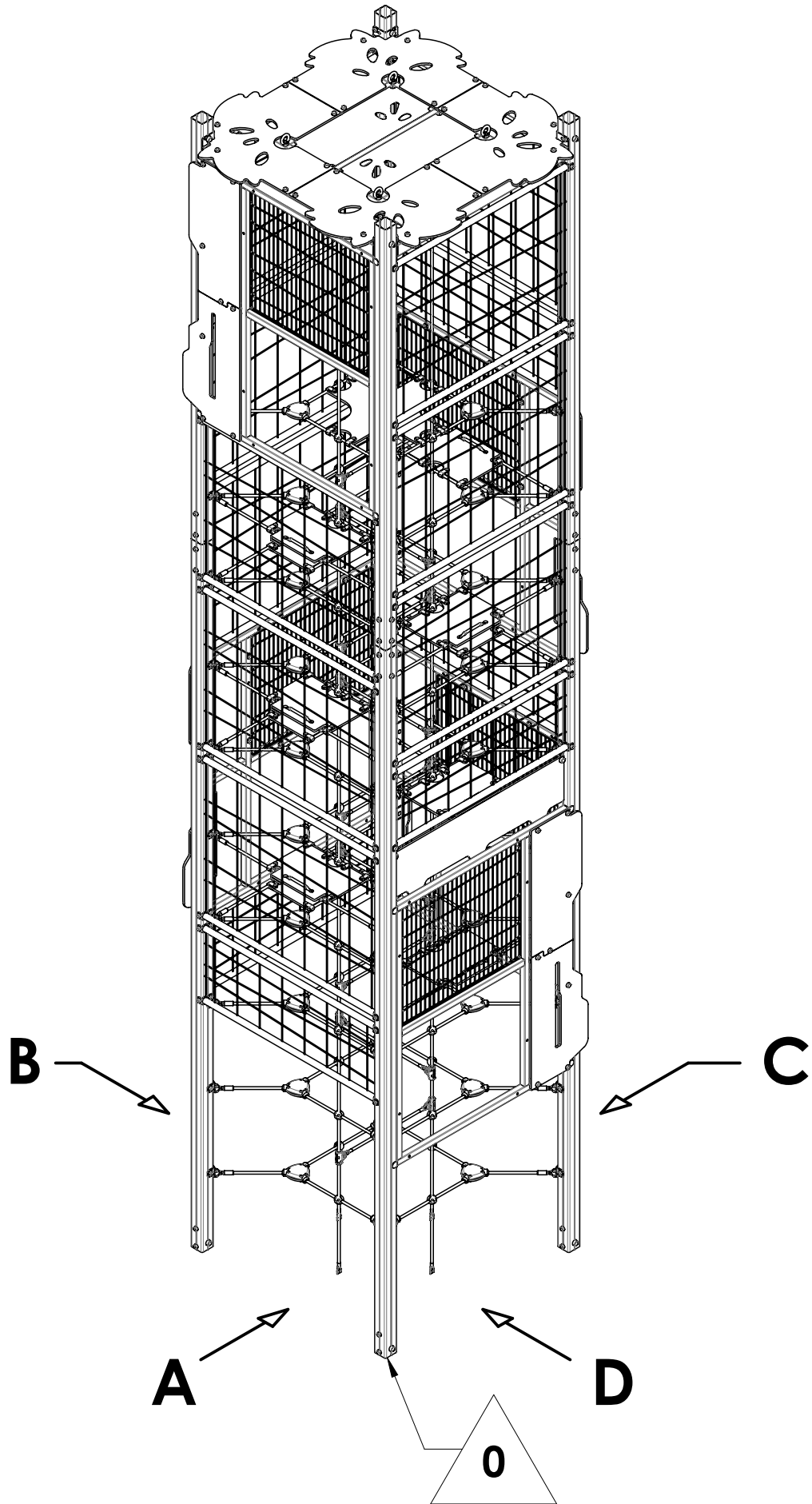
ET56122CH	1
M8310N	5
M8440N	5
M10310N	2
M10440N	2
P25	2
VCBHCM10x30I	2
VEFM10	2
VR8x18	2
VTH6x30A	5

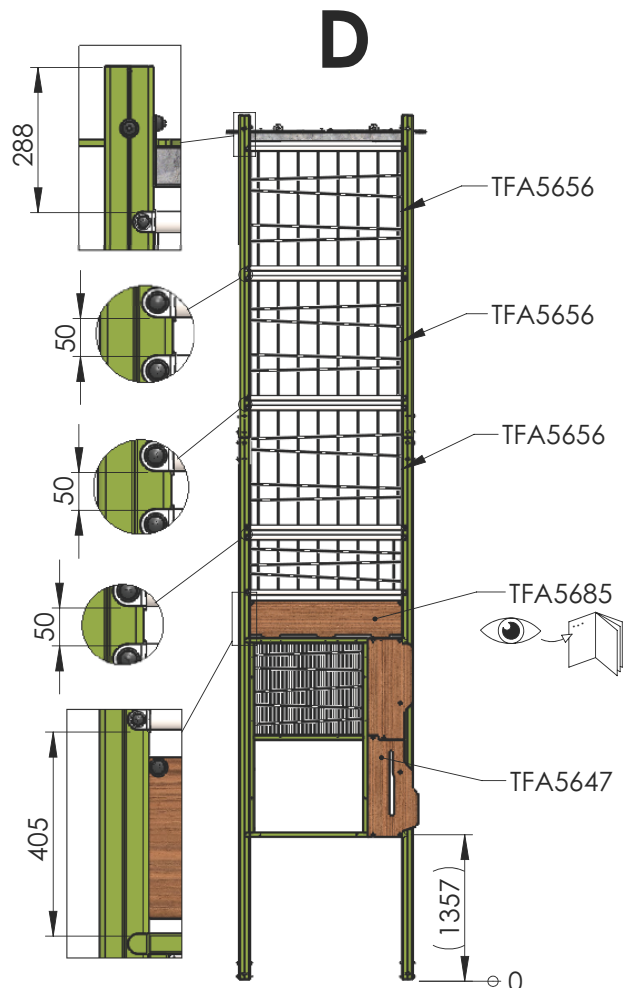
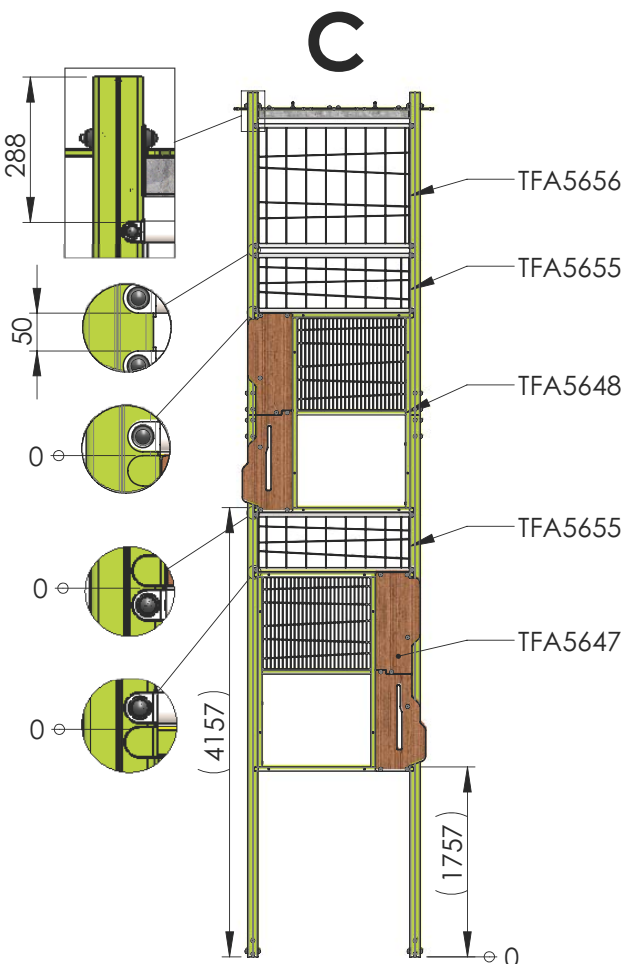
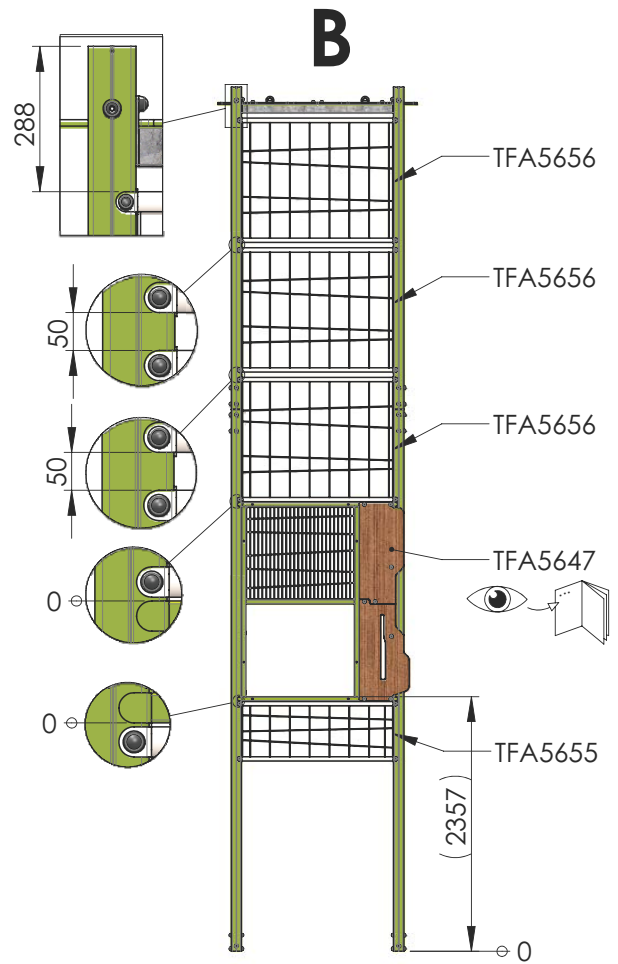
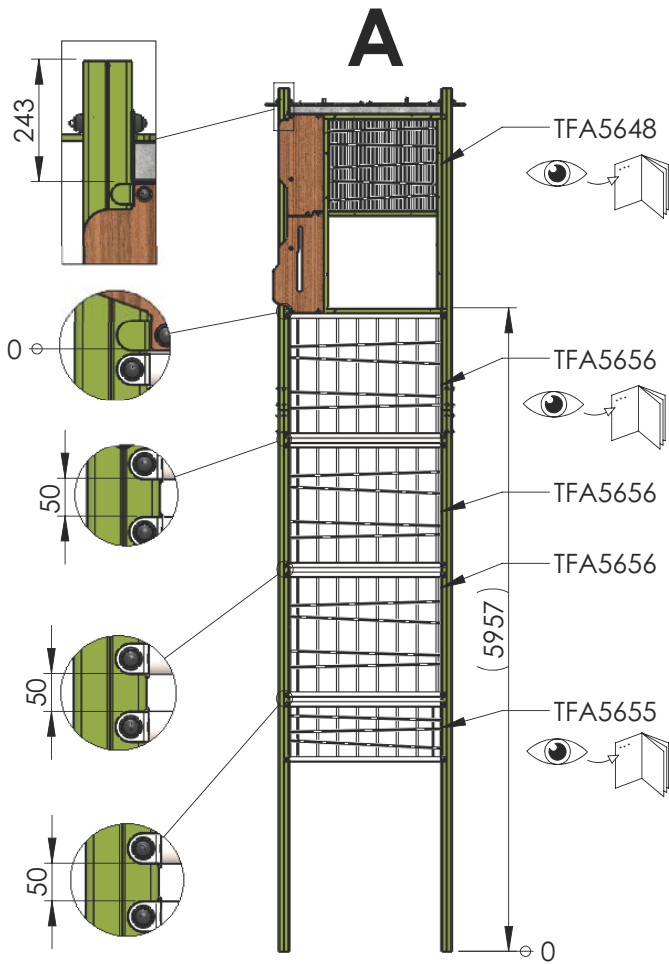




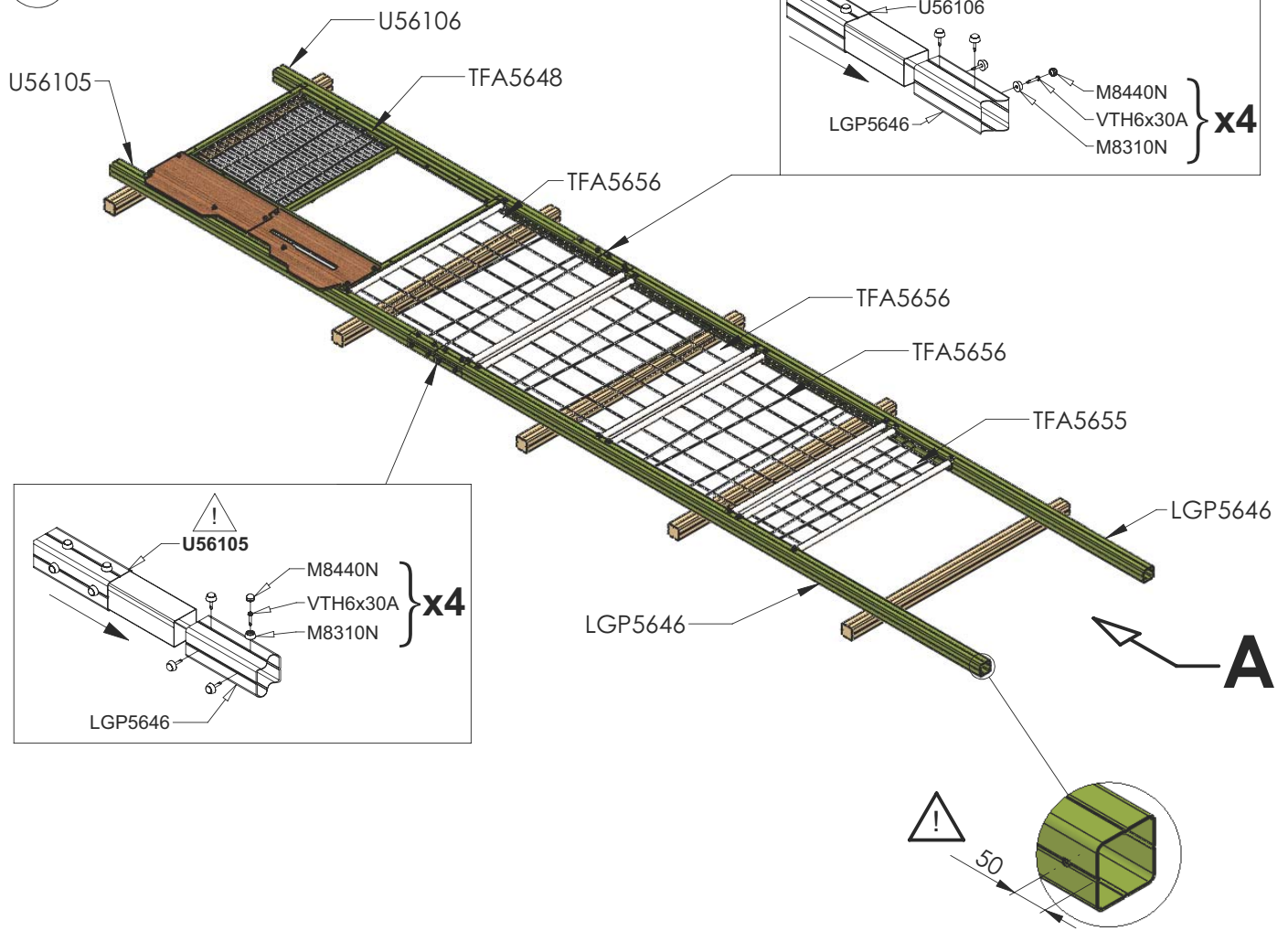


EM56103R	3	VEFM10	156
ET56126VX	3	VR8x18	2
ET56125VX	2	VTH6x30A	491
ET56109CH	5	VTH10x60	12
ET56112PV	6	VTH10x100	40
ET56113VX	3	VTRCC10x100	150
ET56121CH	5	LAP3800	4
ET56122CH	1	LGP56001VX	5
FT56115	5	LGP5646	4
HM56101	50	U56105	2
LA56100	5	U56106	2
RD14M10	8	LG56123	4
LI2610	18	VTH10x110	4
LI56100	6	LG56122	1
LI56101	3	VTH10x130	4
LI56130	5	MU5600	4
LI56131	10	ET56111VX	4
LI56132	5	R5600	12
M42	33	U5622	12
M2200	40	LA56102	72
M4040	12	VBTR6X30	72
M8310N	441	VEFM6	72
M8440N	441	VWT5x35	72
M10310N	362	RMANI06	64
M10440N	371	VCBHCM6x25I	64
MI2503N	9	LA56101	40
P25	2	U56111	1
U56104	1	MU893	10
VCBHCM5x20I	16	VTH10x90	5
VCBHCM8x20I	6	LG56124	4
VCBHCM10x30I	82	RD14M10	16
VCBHCM10x70I	49	LGP56006VX	5
VECM10	150	LGP56007VX	5
VEFM8	6	LGP56008VX	10

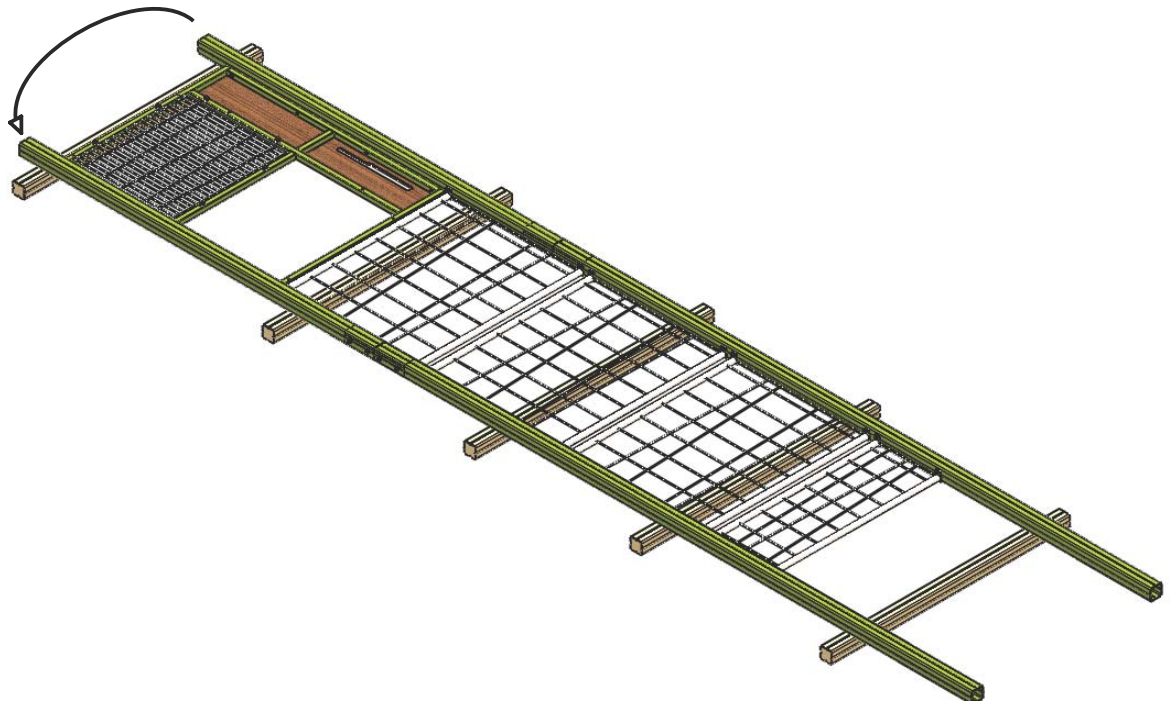


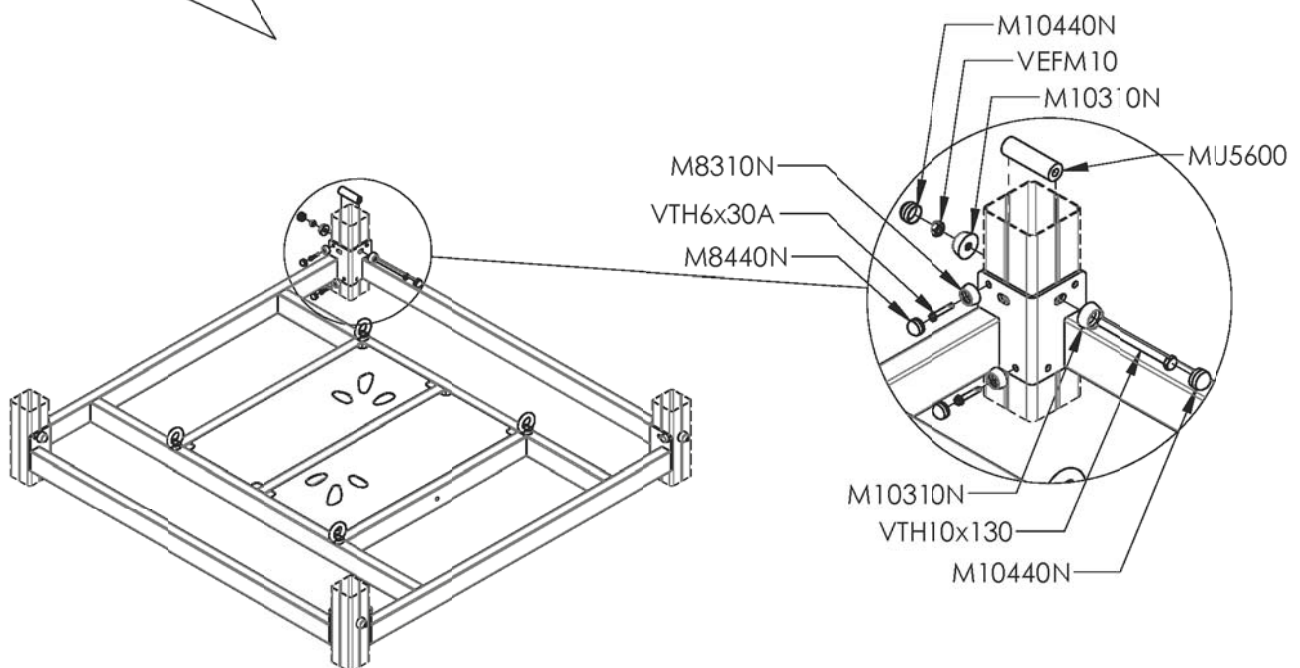
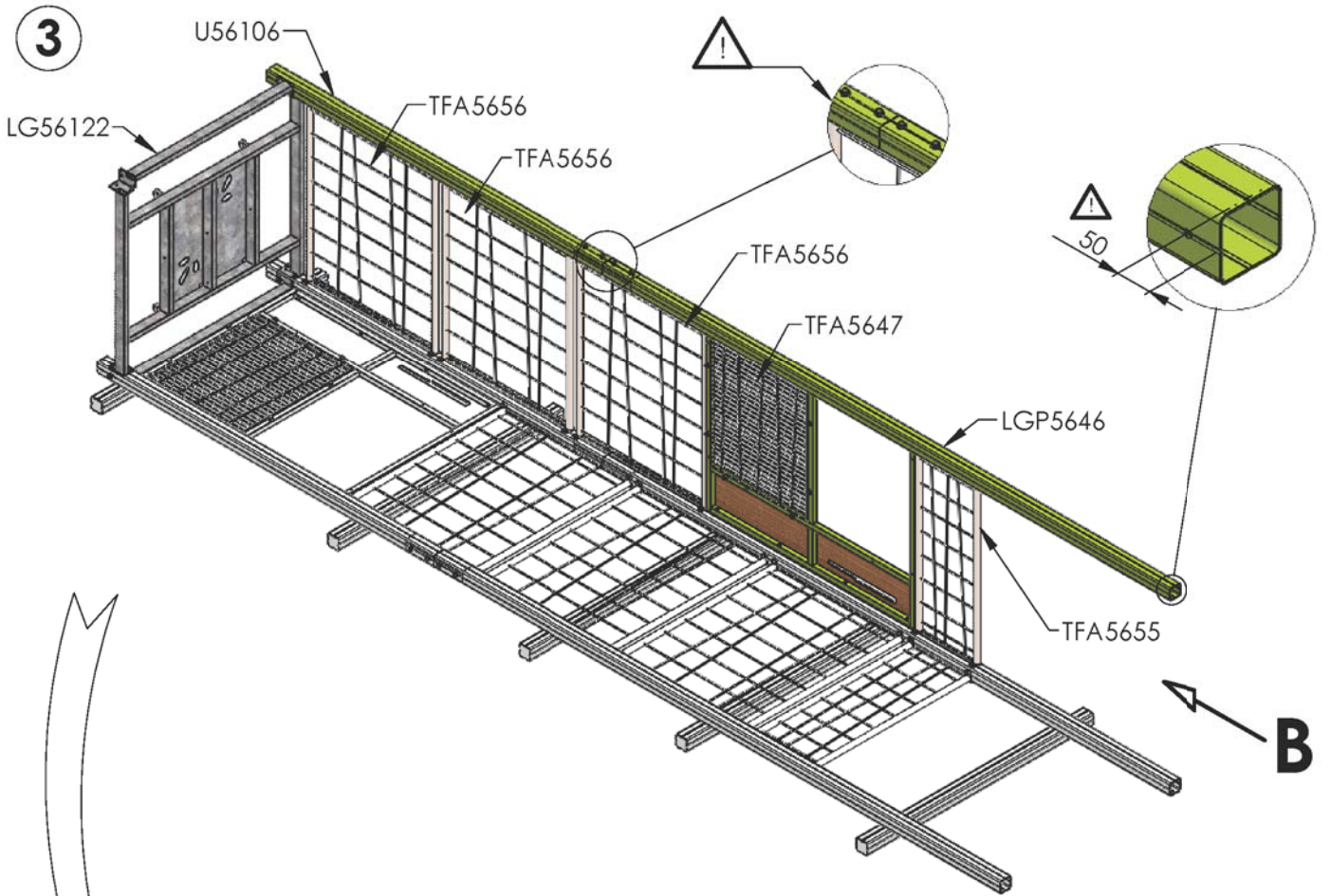


1



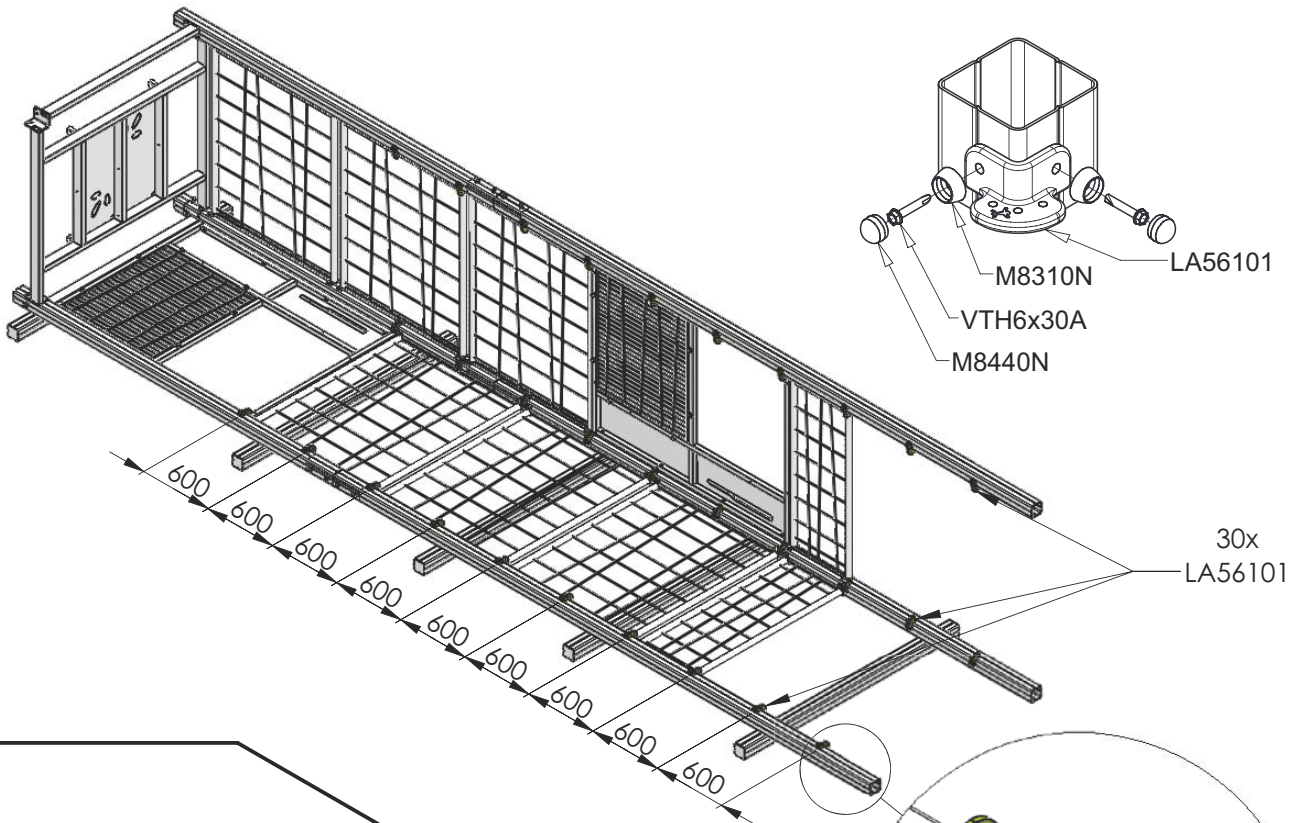
2



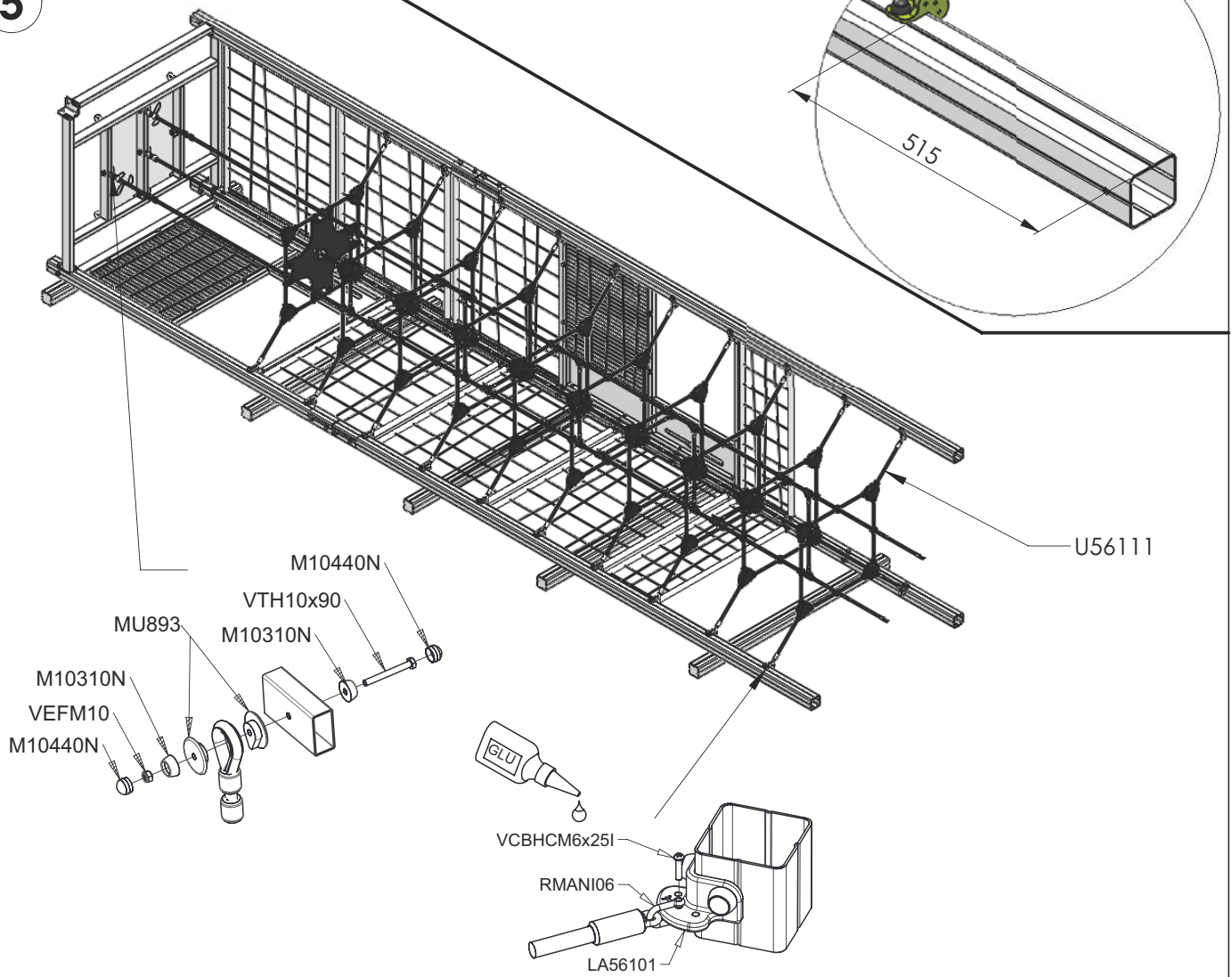




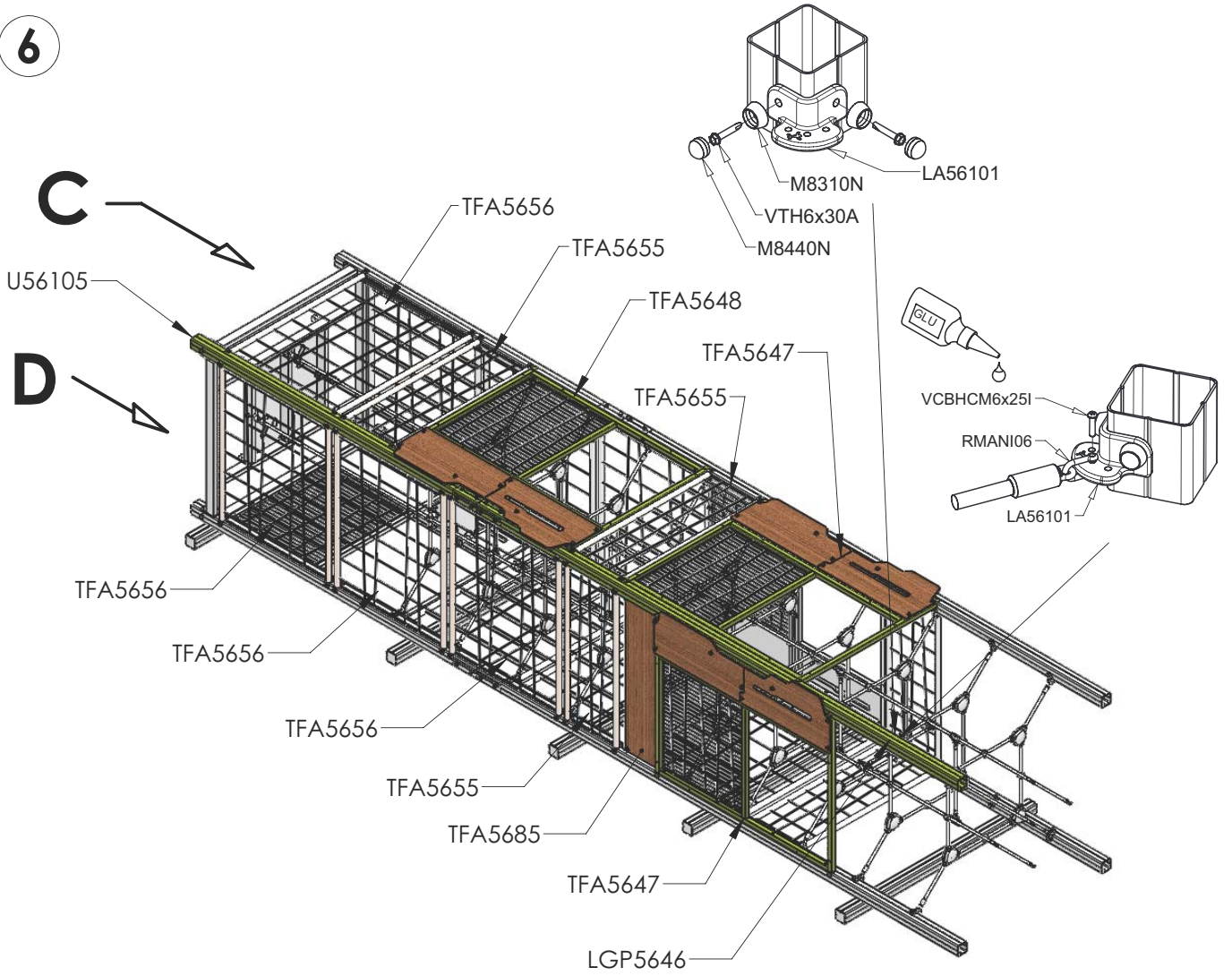
4



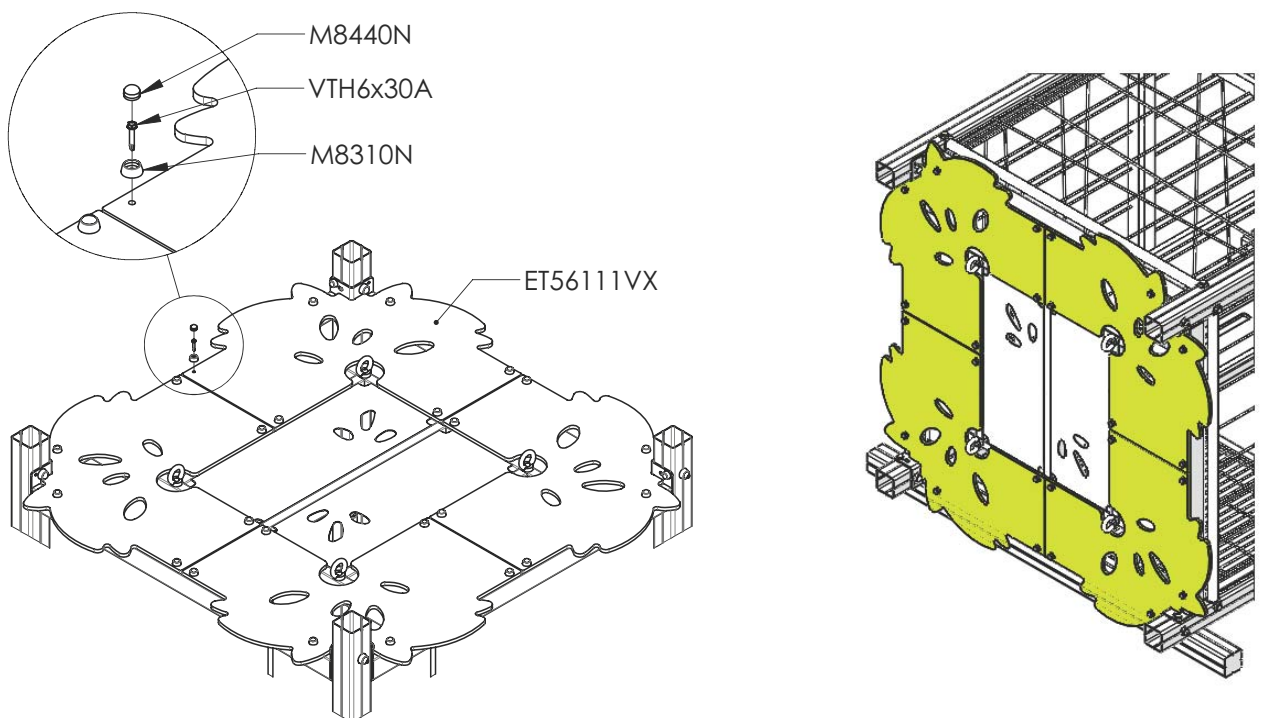
5

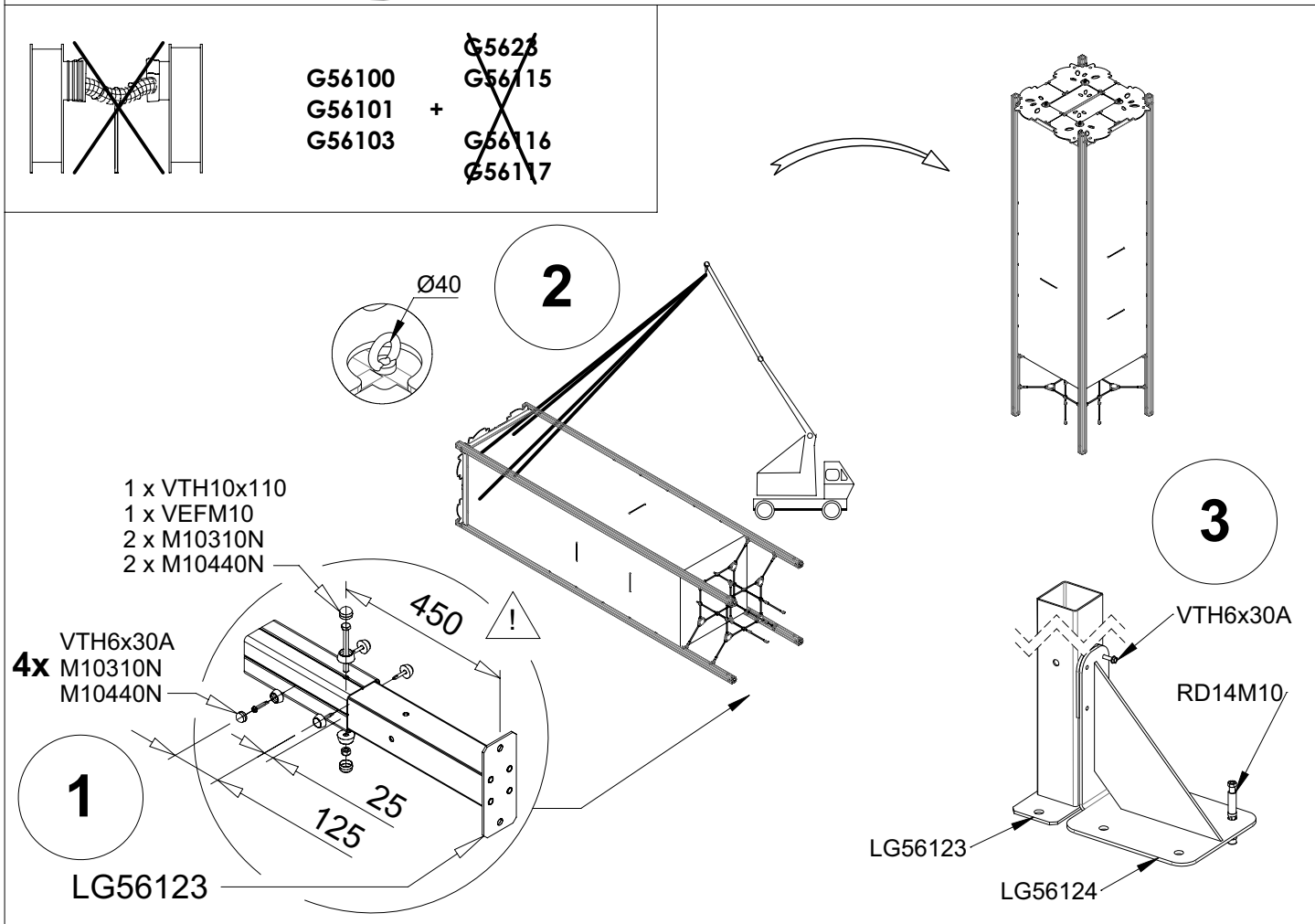
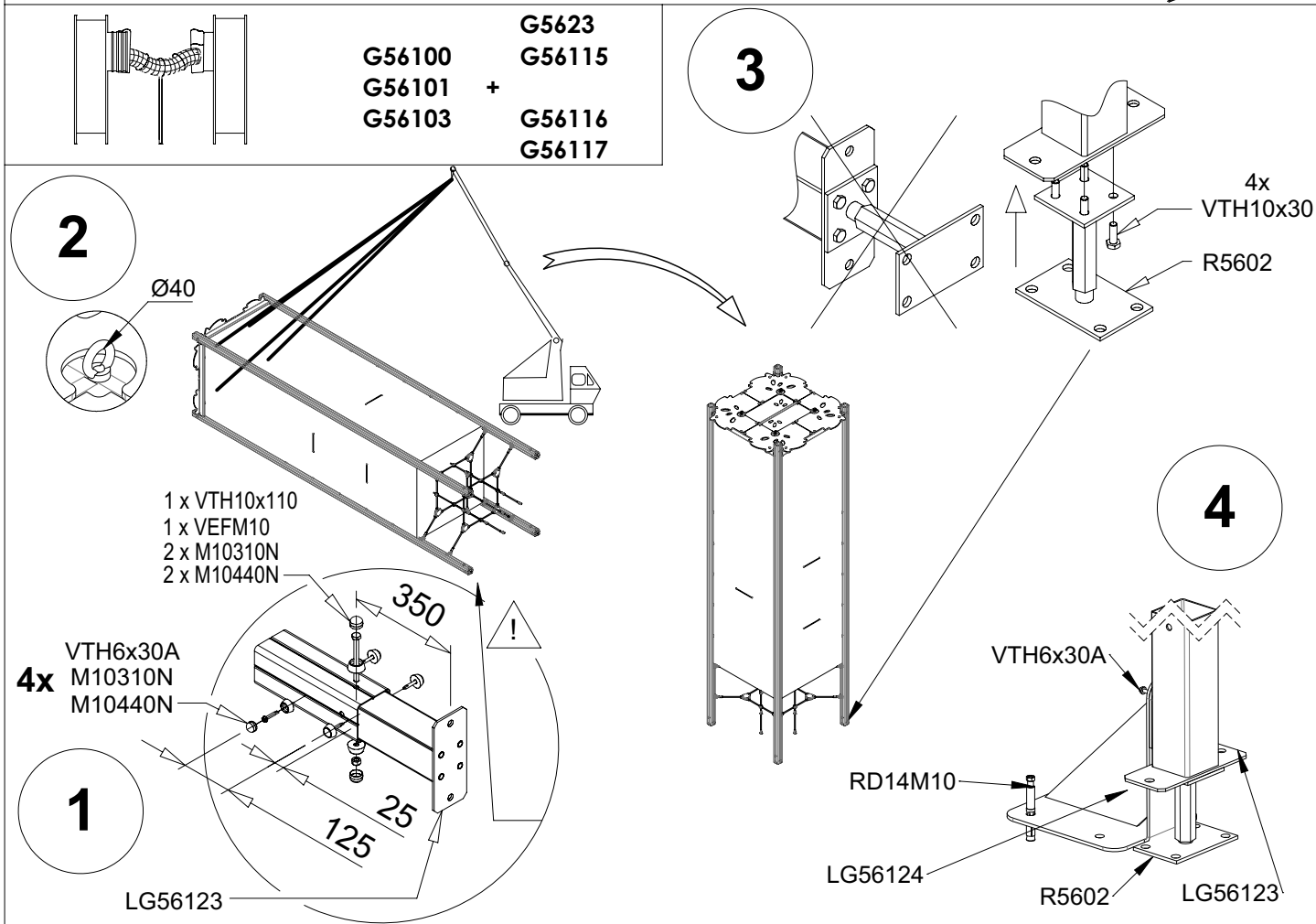


6



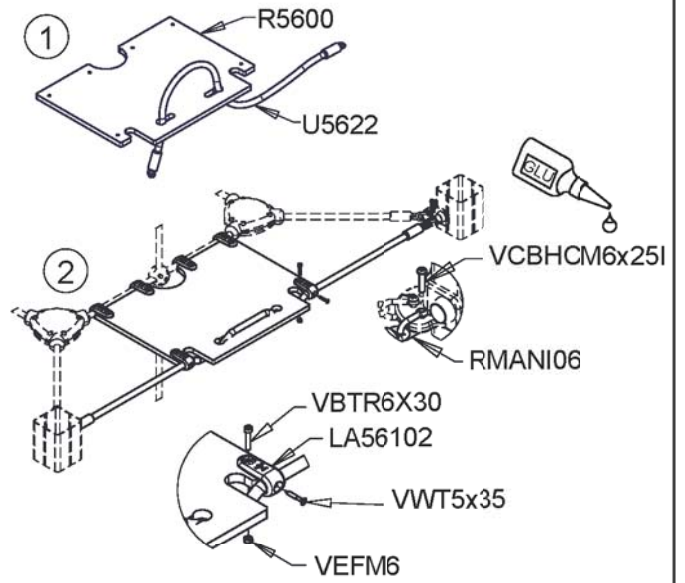
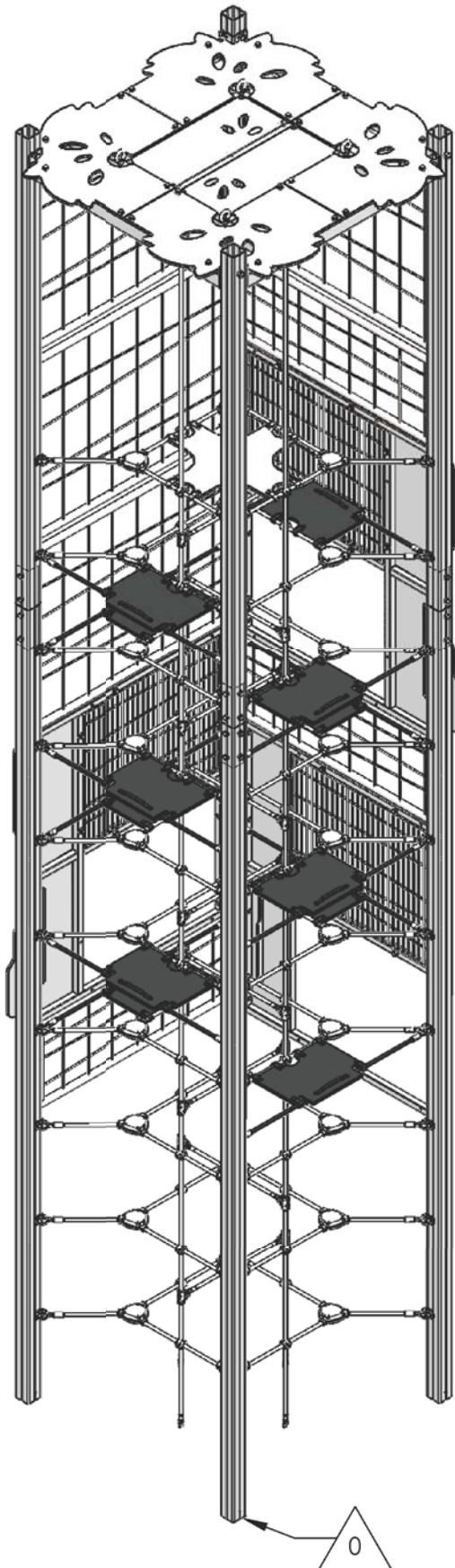
7







9



— 11 => G

— 10 => E

— 9 => F

— 8 => E

— 6 => F

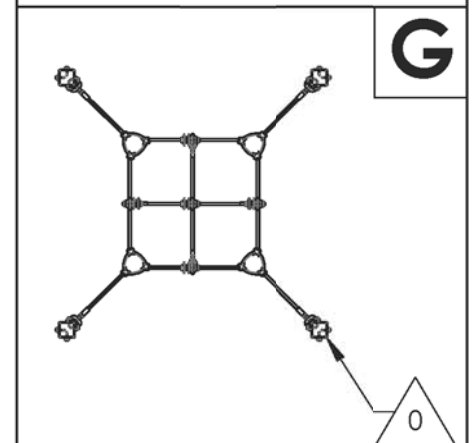
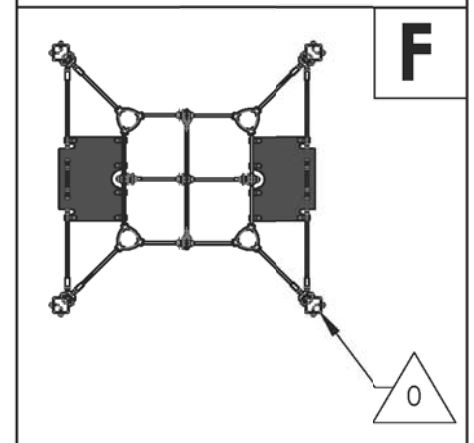
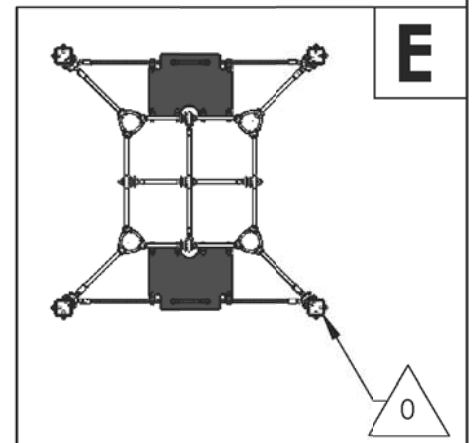
— 5 => E

— 4 => F

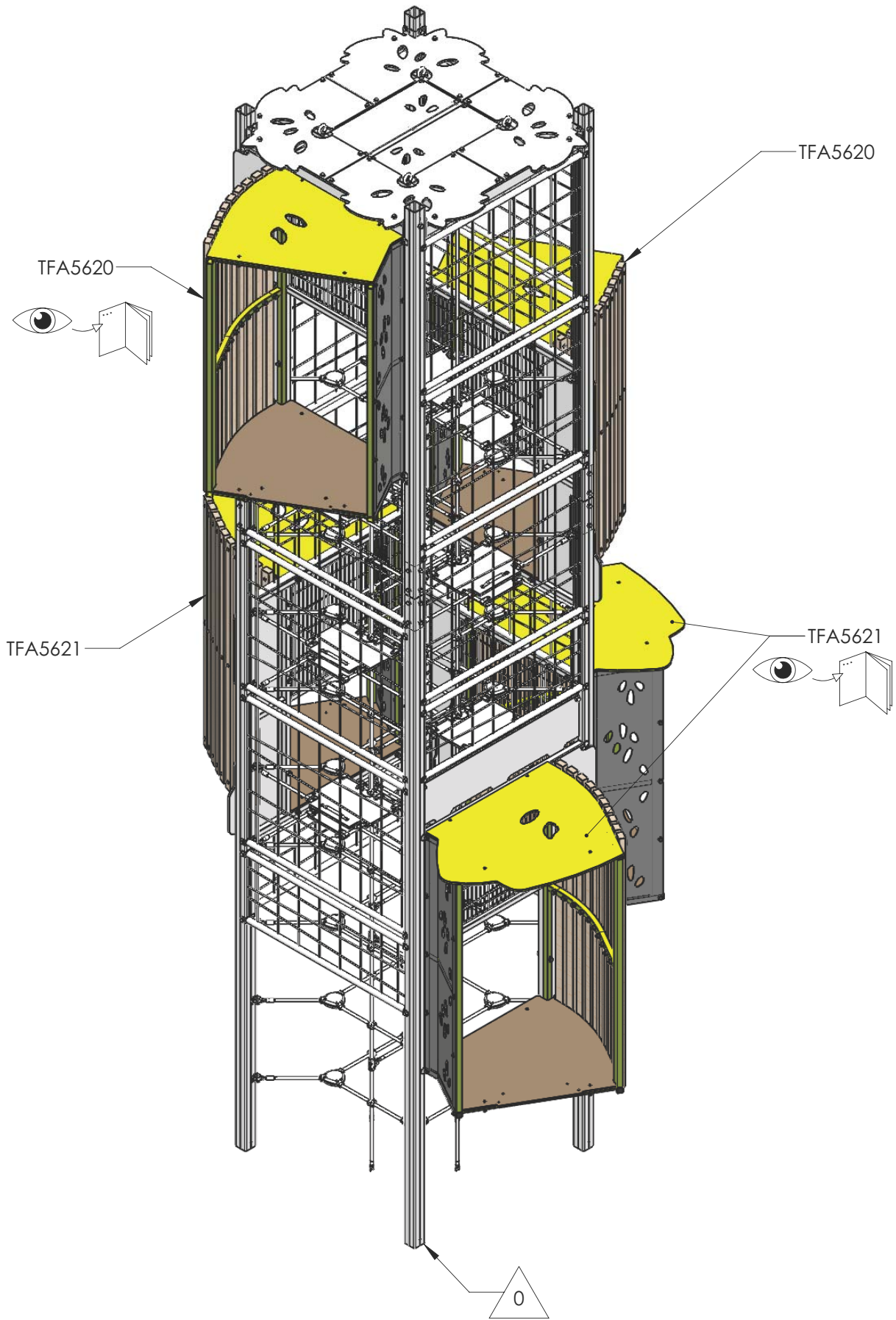
— 3 => G

— 2 => G

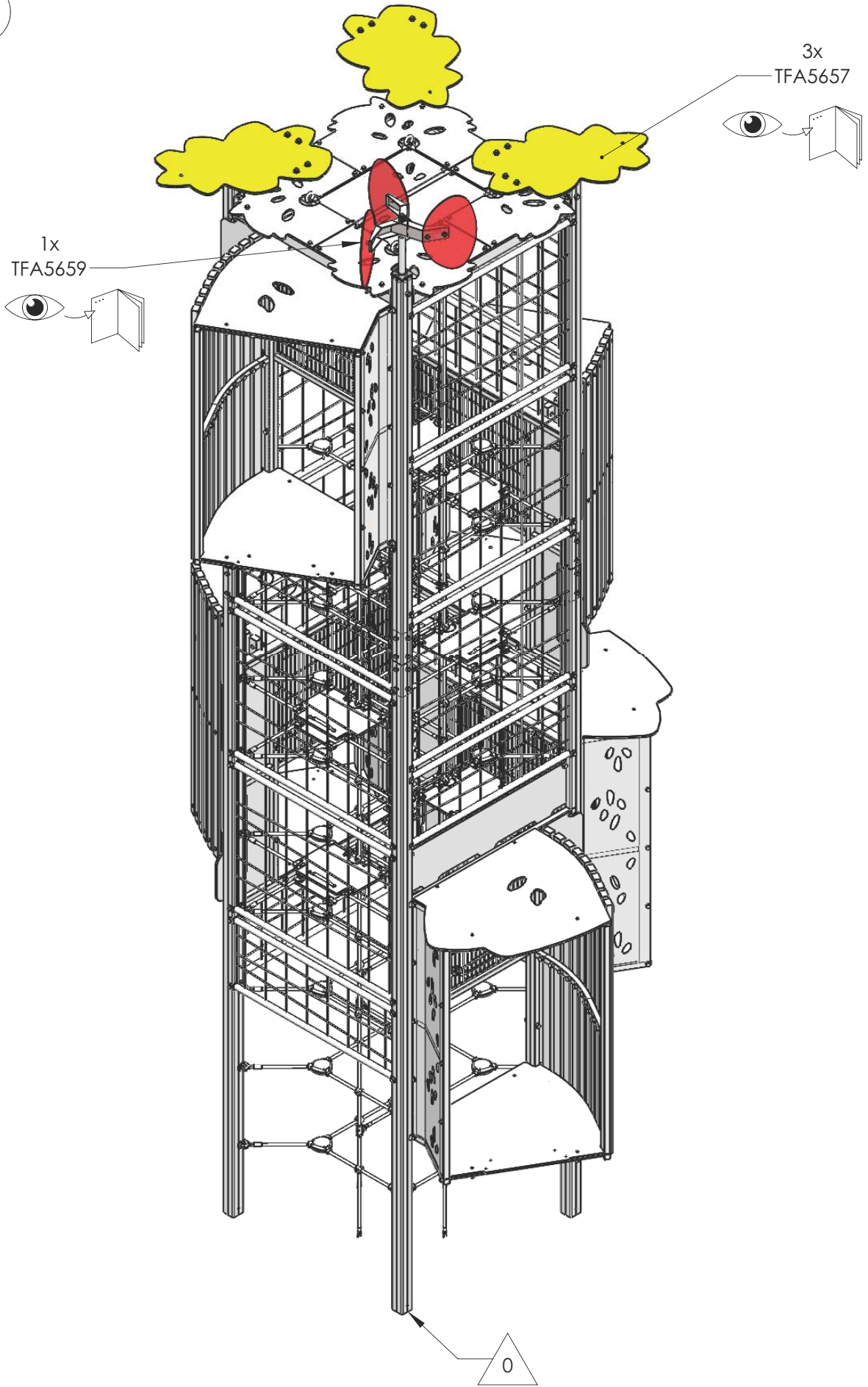
— 1 => G



10

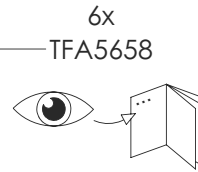
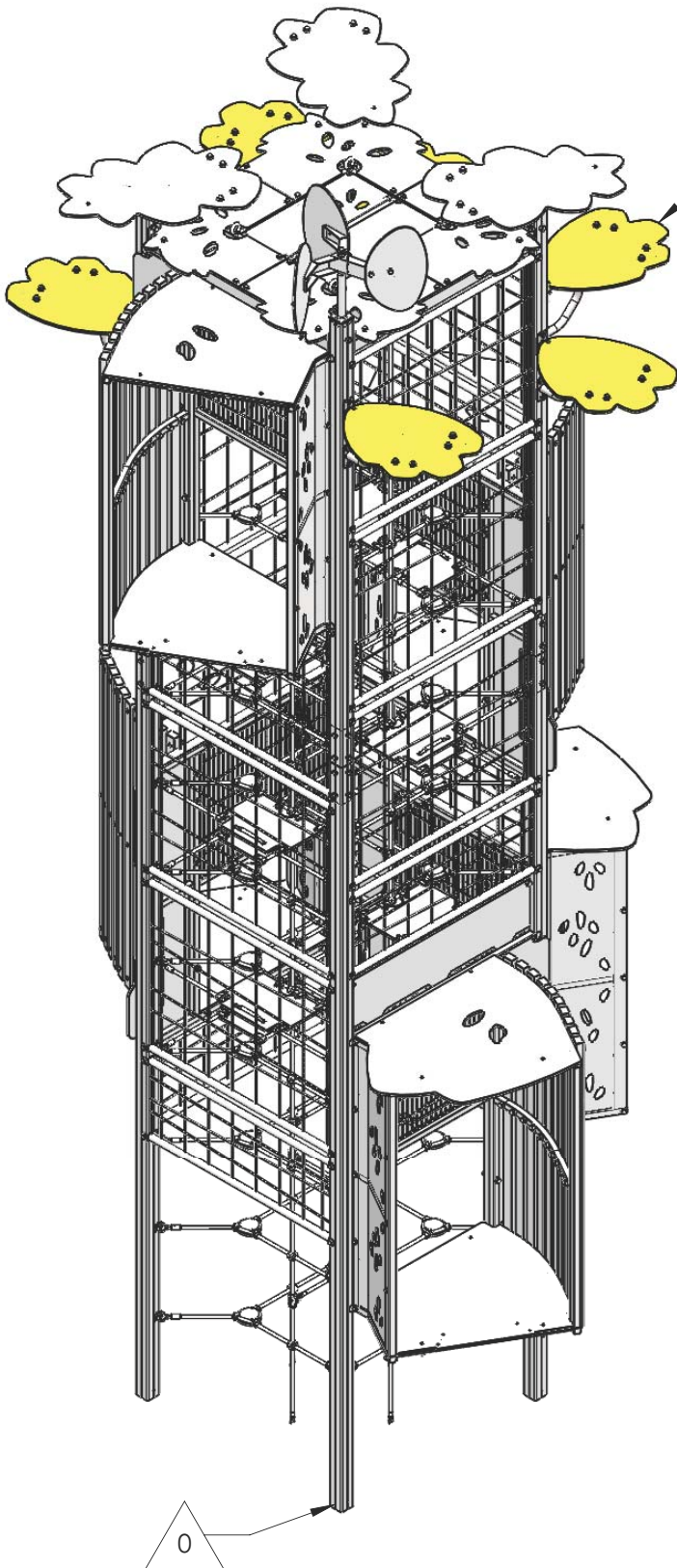


11

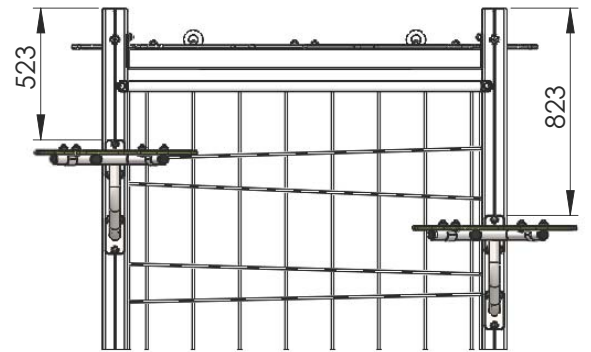




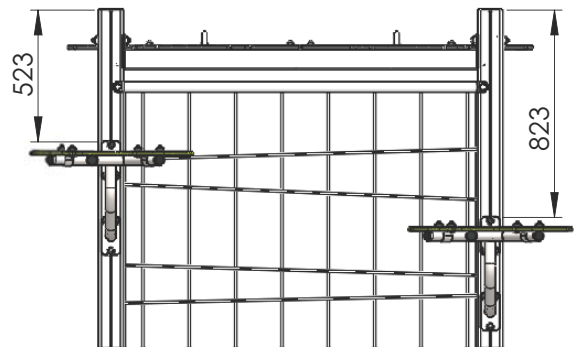
12



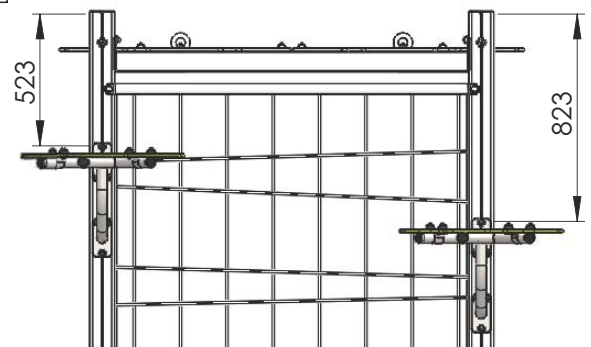
**A**

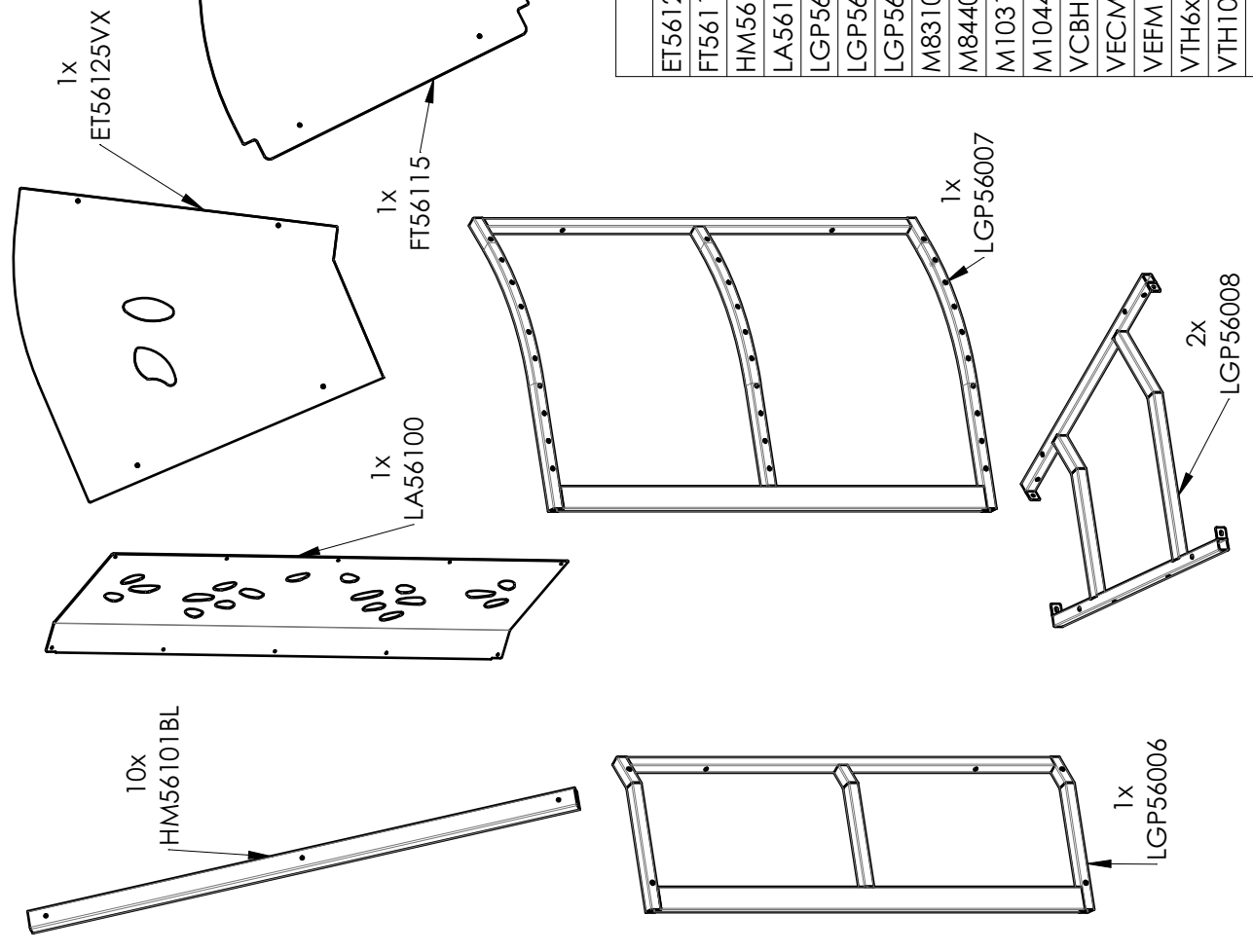
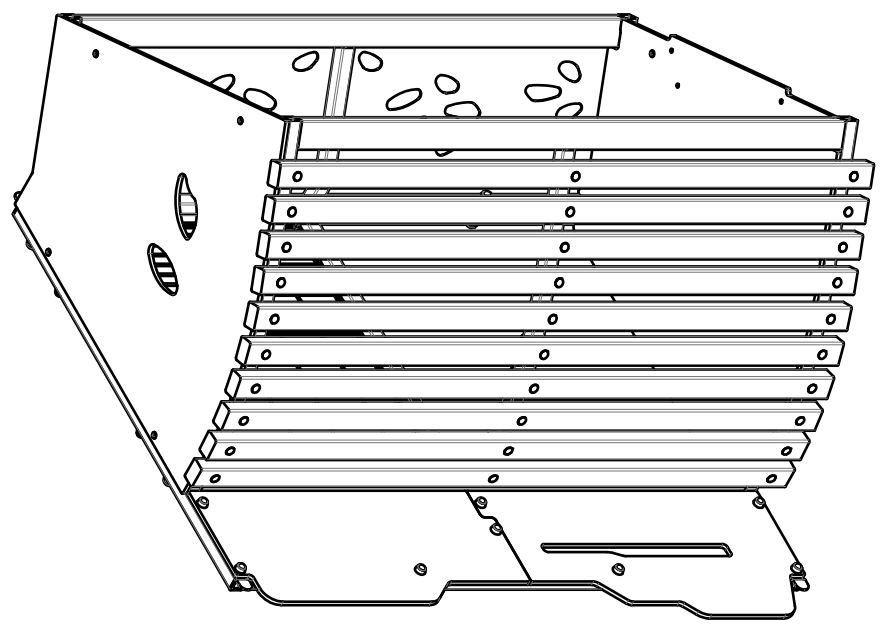


**B**



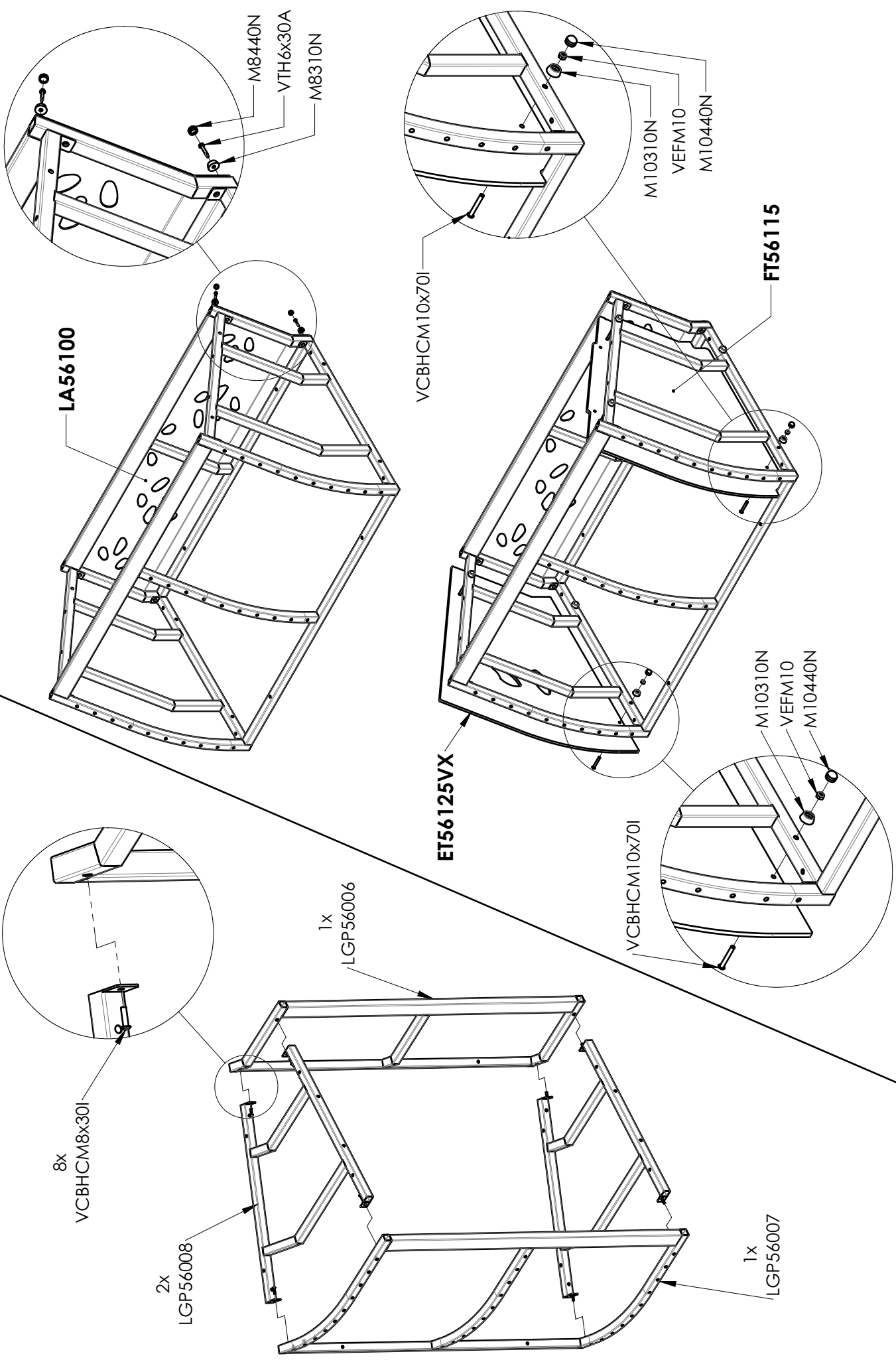
**D**

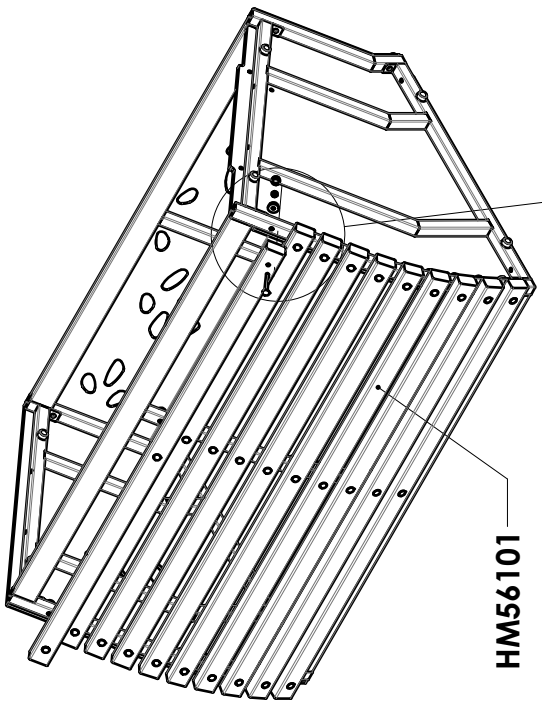
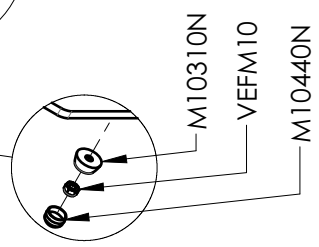
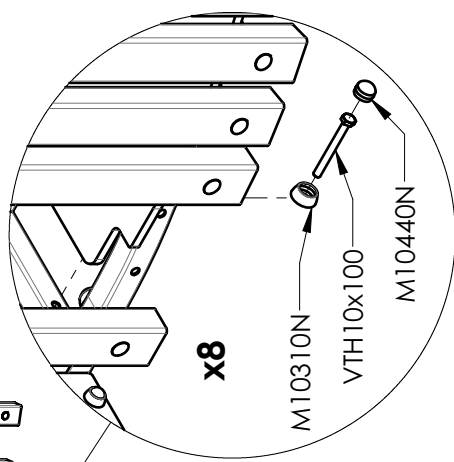
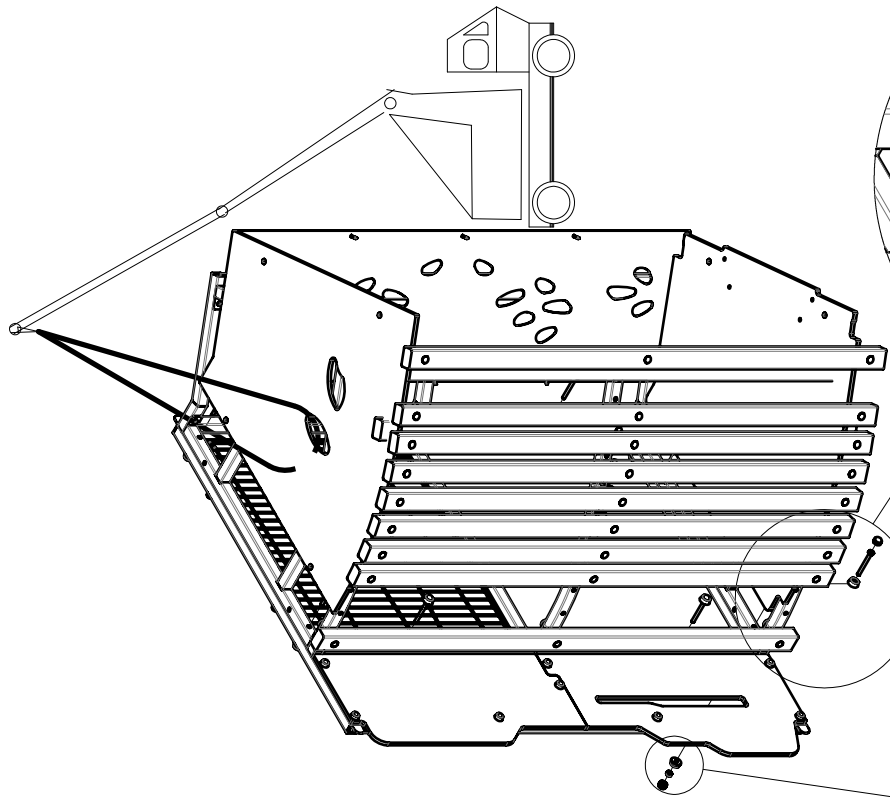




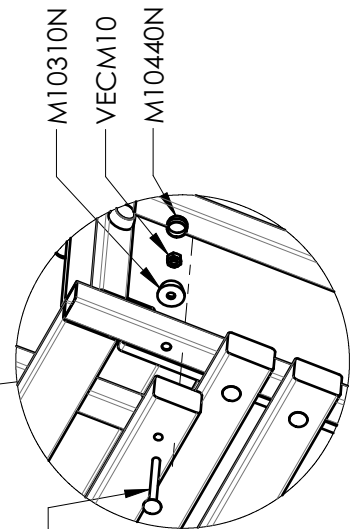
ET56125VX	1
FT56115	1
HM56101	10
LA56100	1
LGP56006VX	1
LGP56007VX	1
LGP56008VX	2
M8310N	10
M8440N	10
M10310N	54
M10440N	54
VCBHC M10x70I	8
VECM10	30
VEFM10	16
VTH6x30A	10
VTH10x100	8
VTRCC10x100	30
VCBHC M8x30I	8

TFA5620

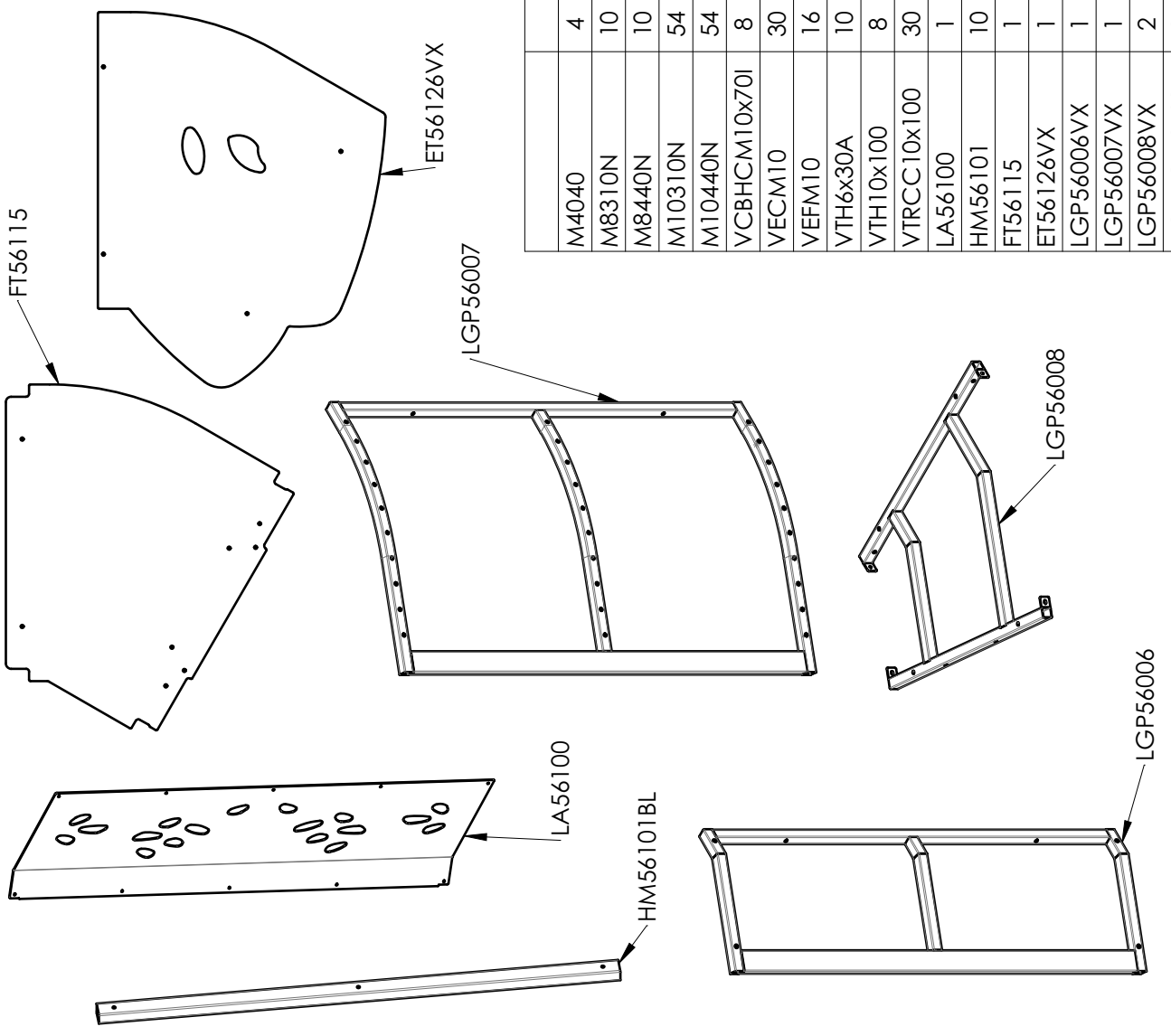
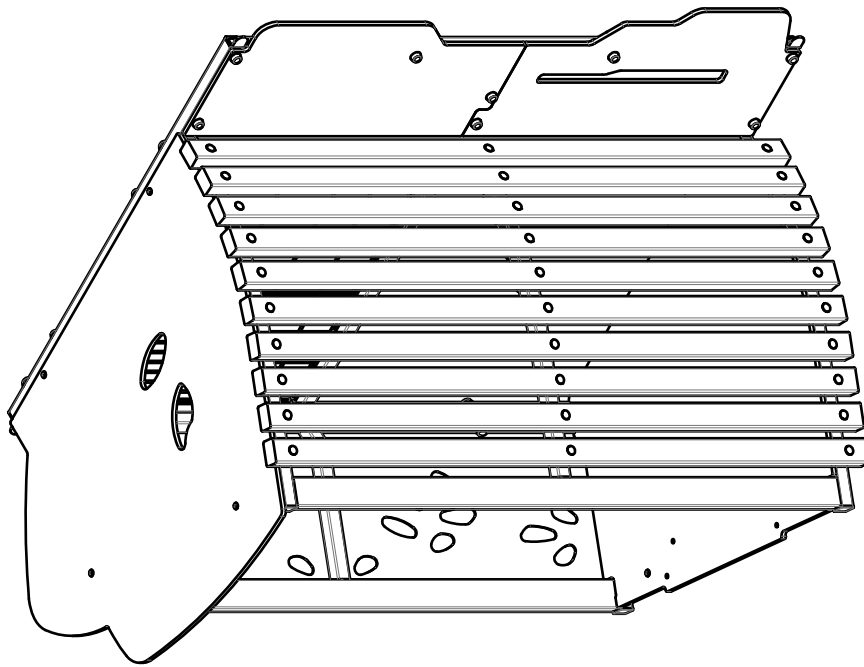




HM56101

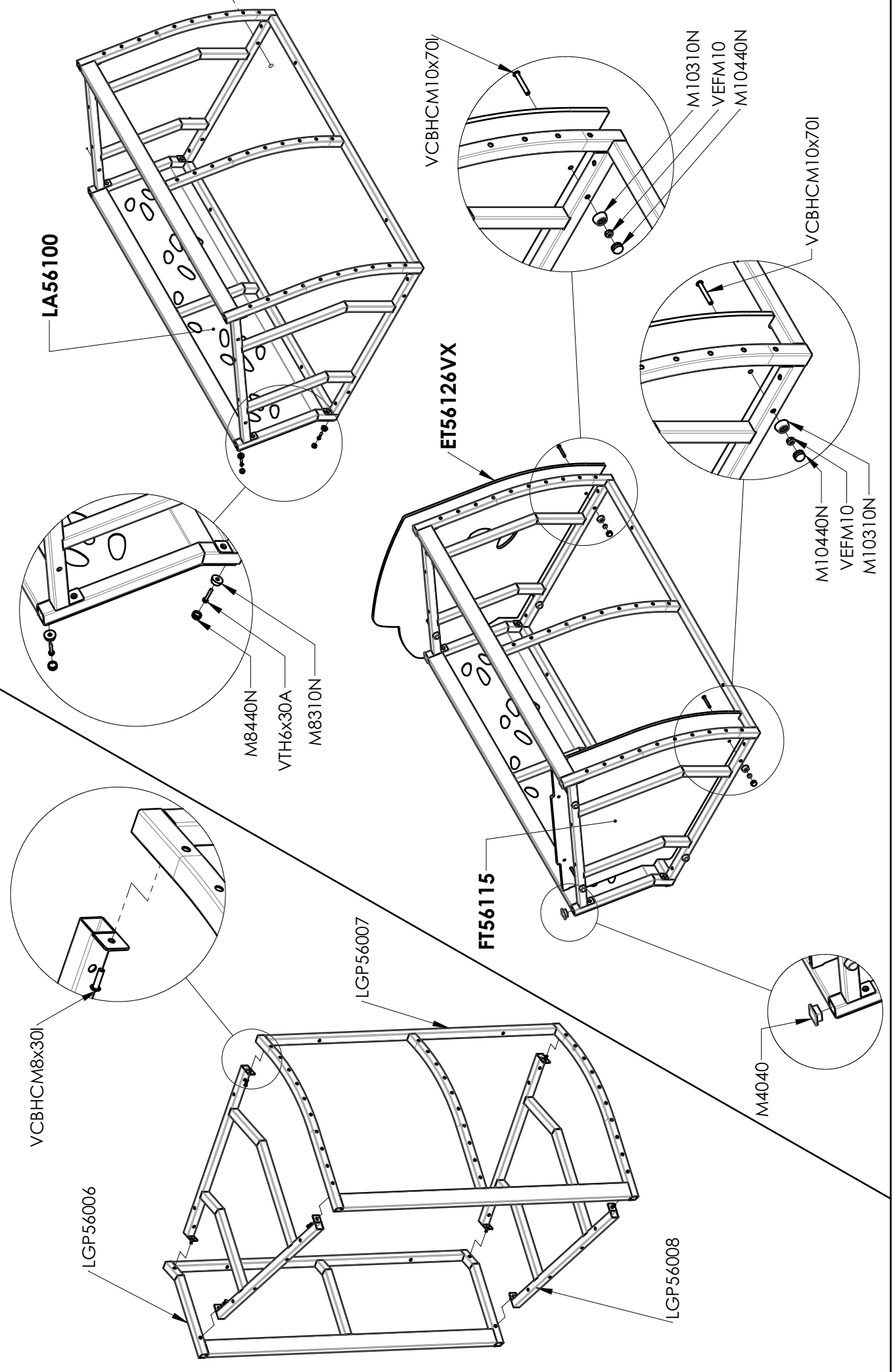


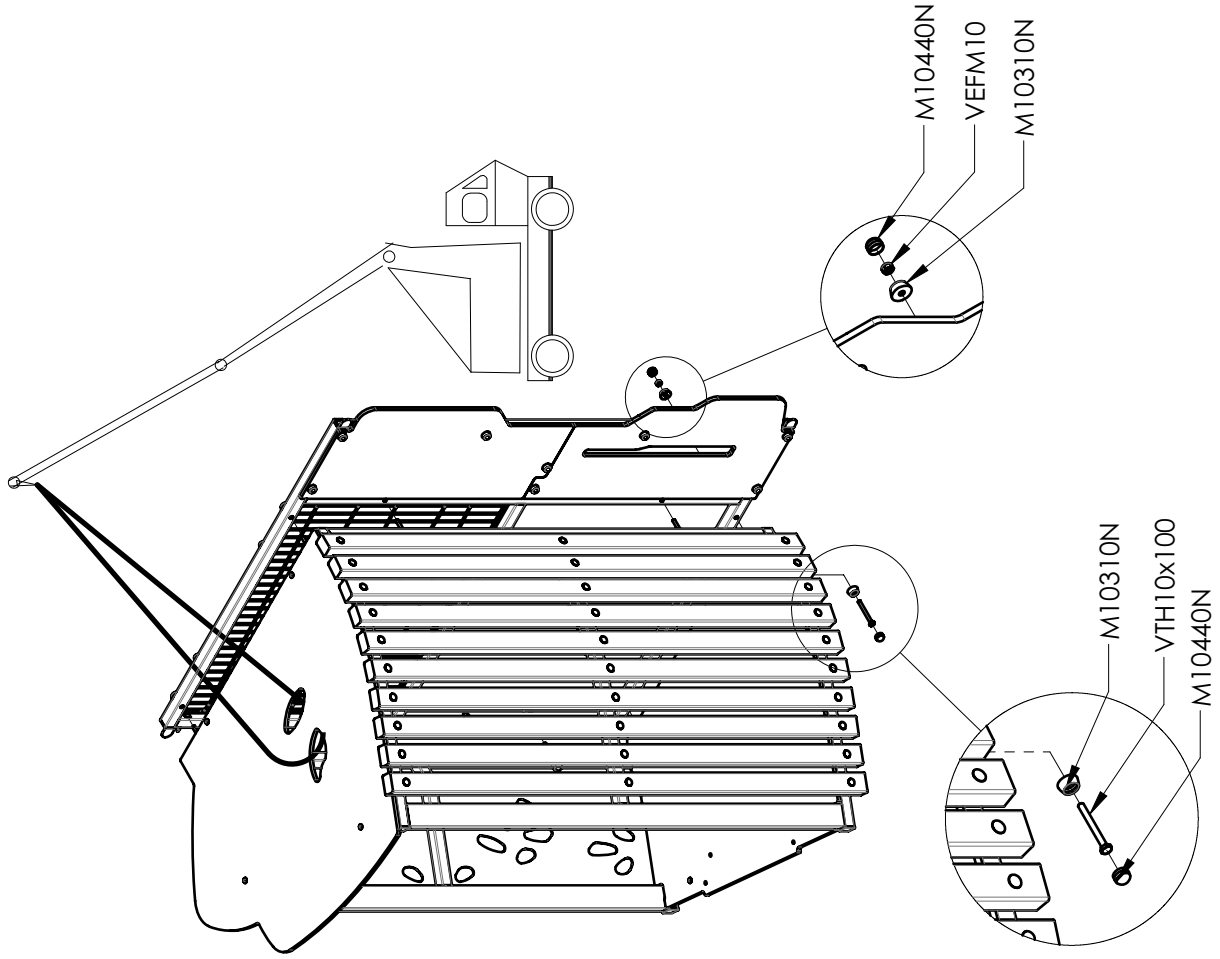
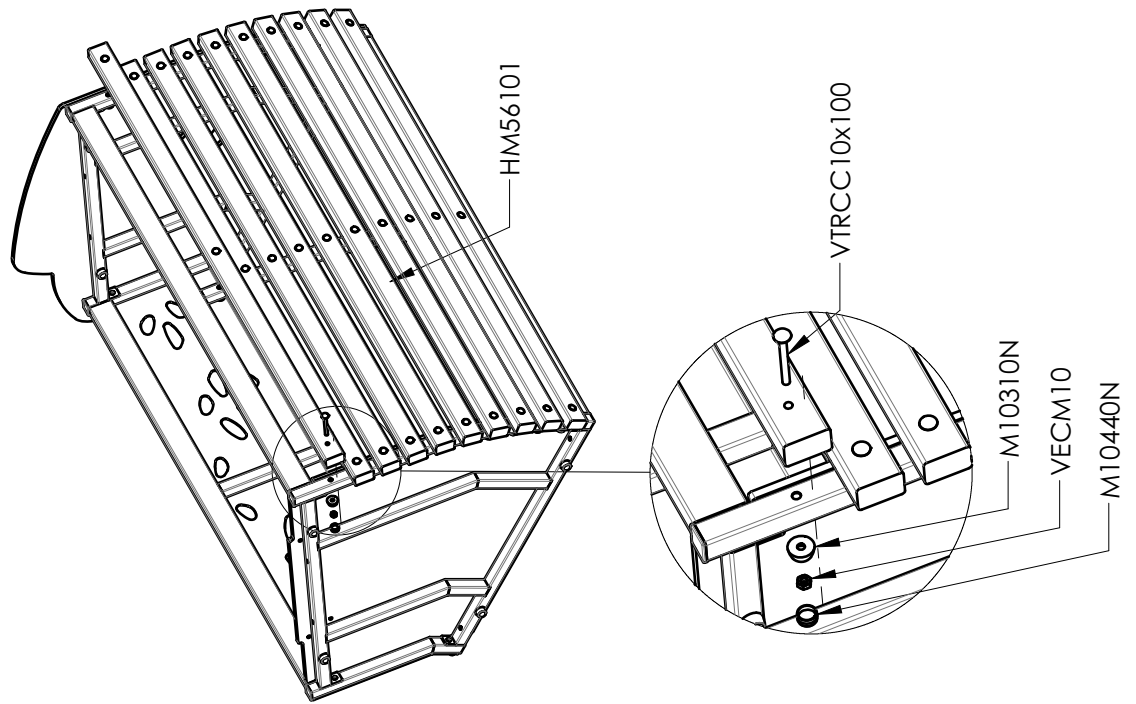
VTRCC10x100



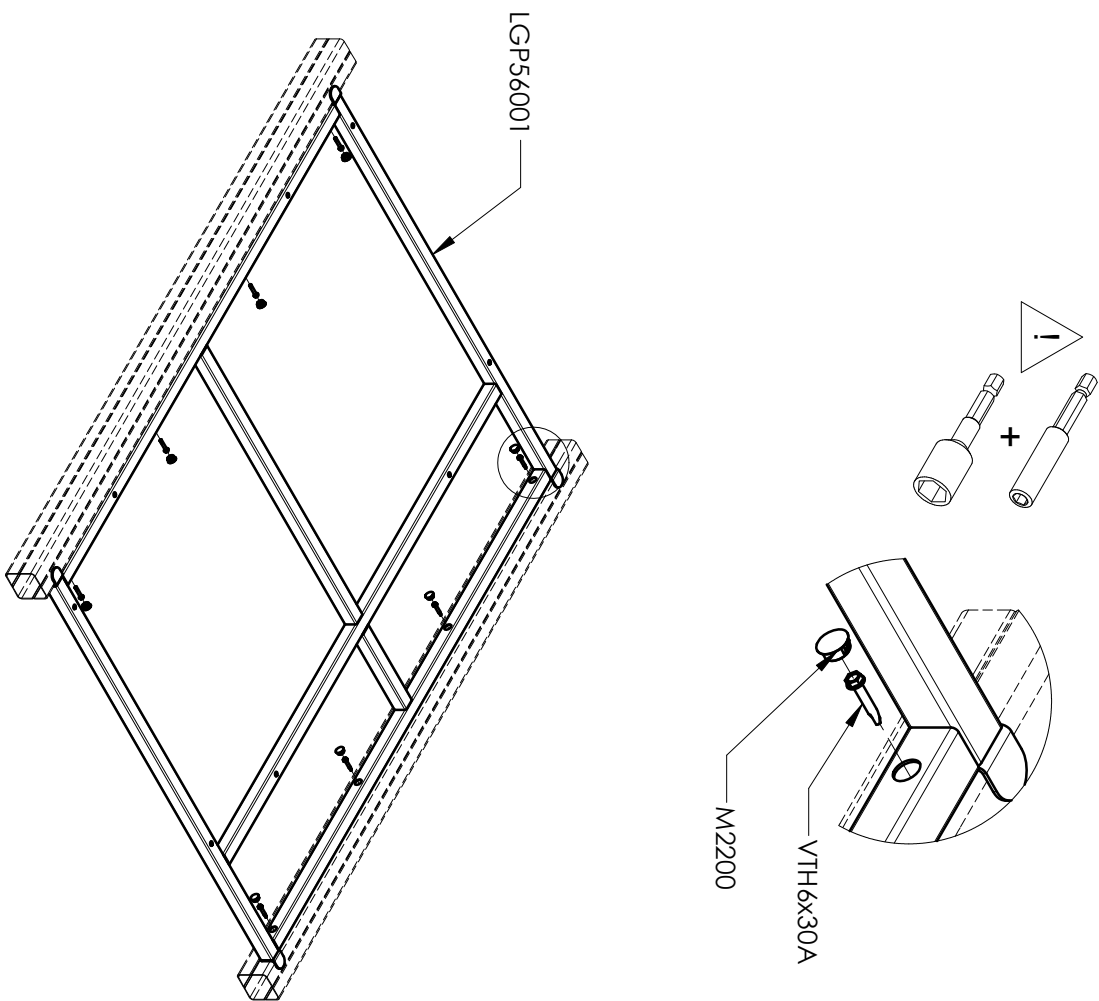
M4040	4
M8310N	10
M8440N	10
M10310N	54
M10440N	54
VCBHCM10x70I	8
VECM10	30
VEFM10	16
VTH6x30A	10
VTH10x100	8
VTRCC10x100	30
LA56100	1
HM56101	10
FT56115	1
ET56126VX	1
LGP56006VX	1
LGP56007VX	1
LGP56008VX	2
VCBHCM8x30I	8



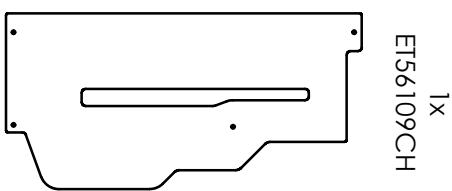




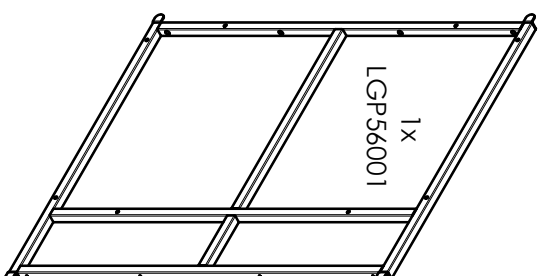
1



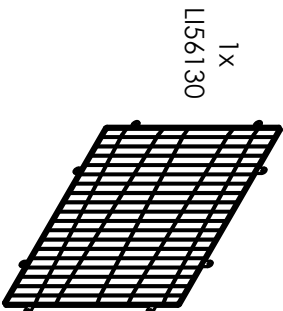
1x  
ET56121CH



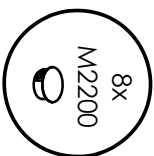
1x  
ET56109CH



1x  
LGS56001



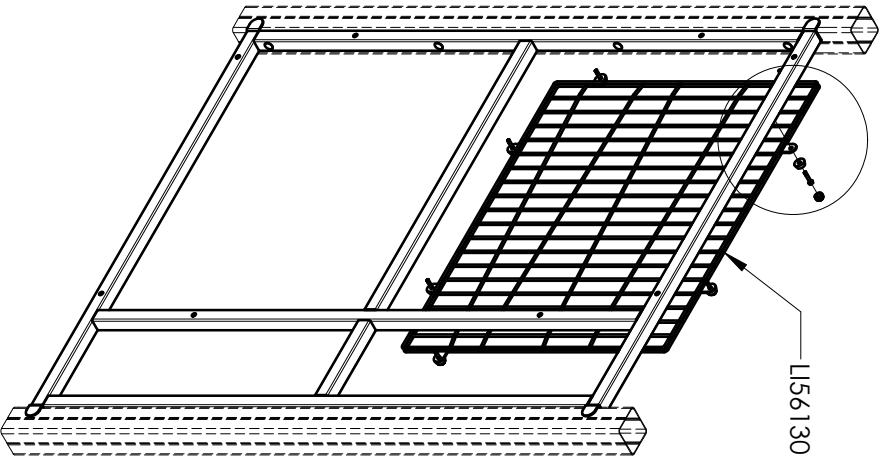
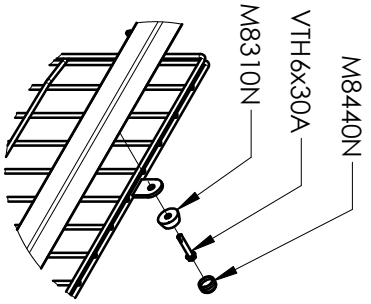
1x  
LI56130



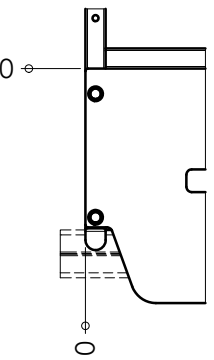
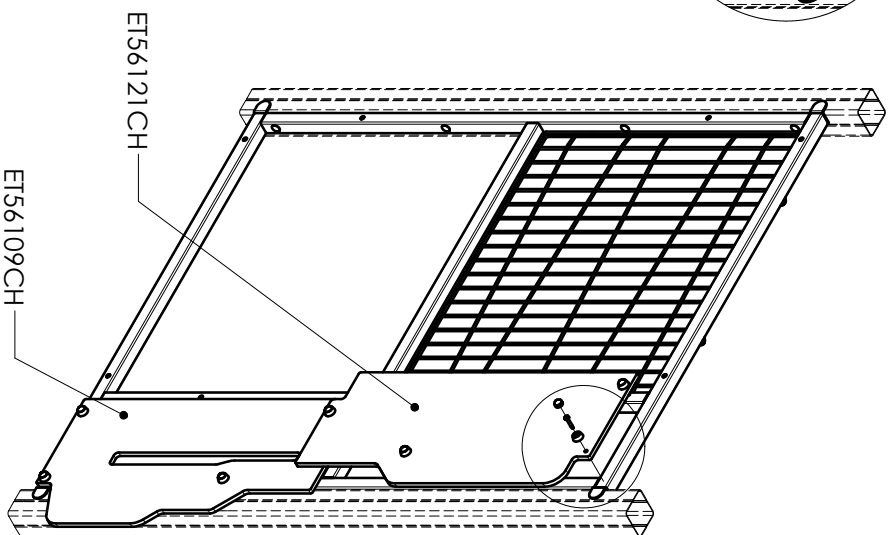
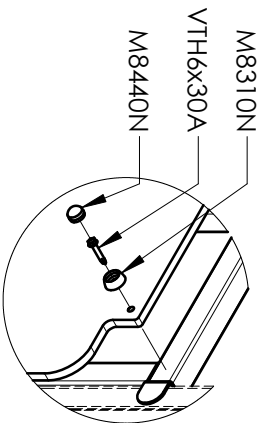
8x  
M2200

ET56109CH	1
ET56121CH	1
LGS56001	1
LI56130	1
M2200	8
M8310N	16
M8440N	16
VTH6x30A	24

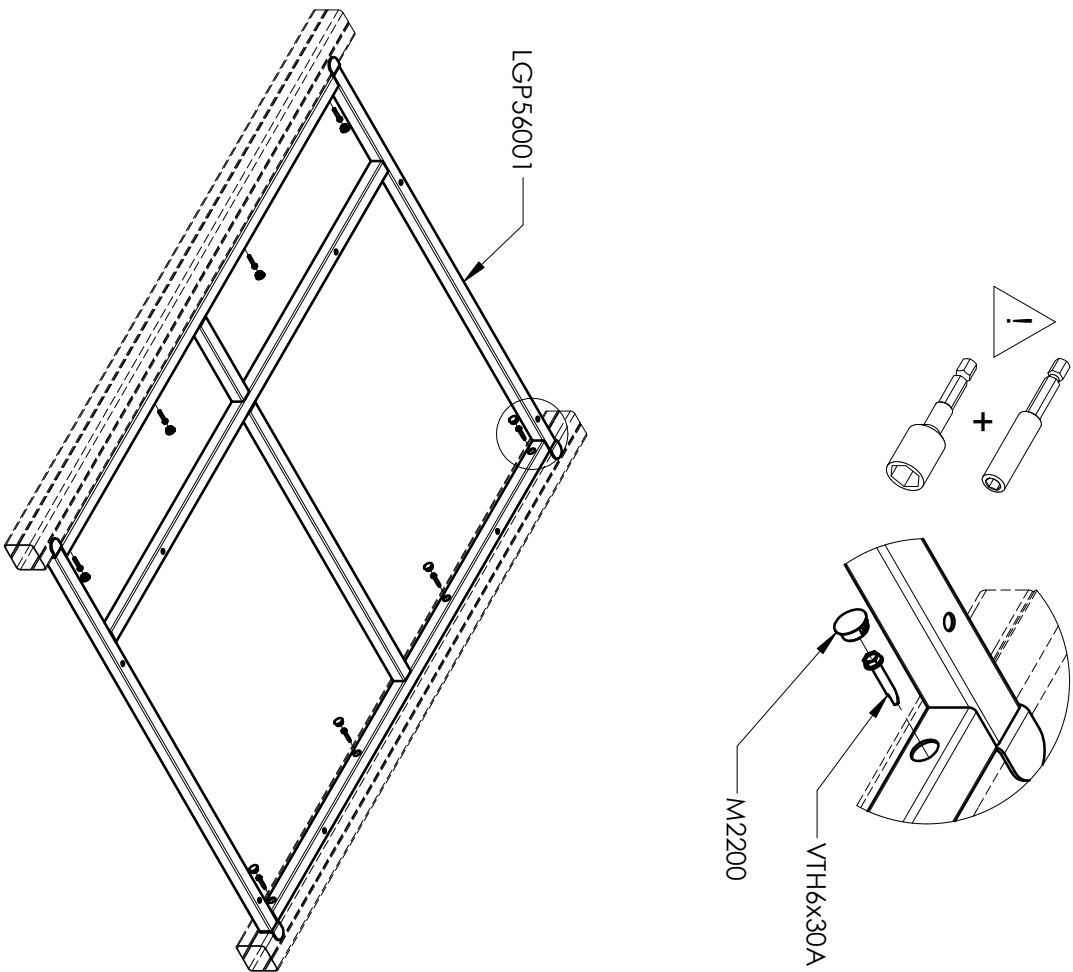
2



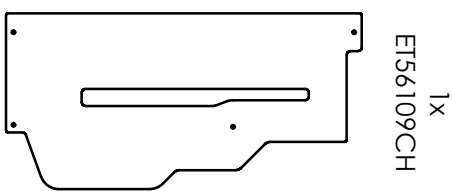
3



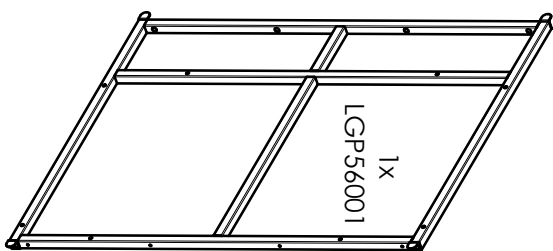
1



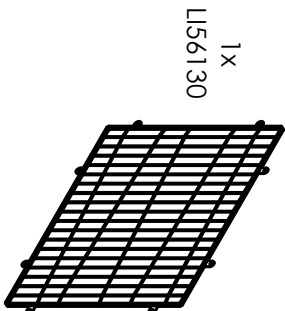
1x  
ET56121CH



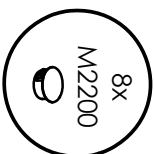
1x  
ET56109CH



1x  
LGP56001



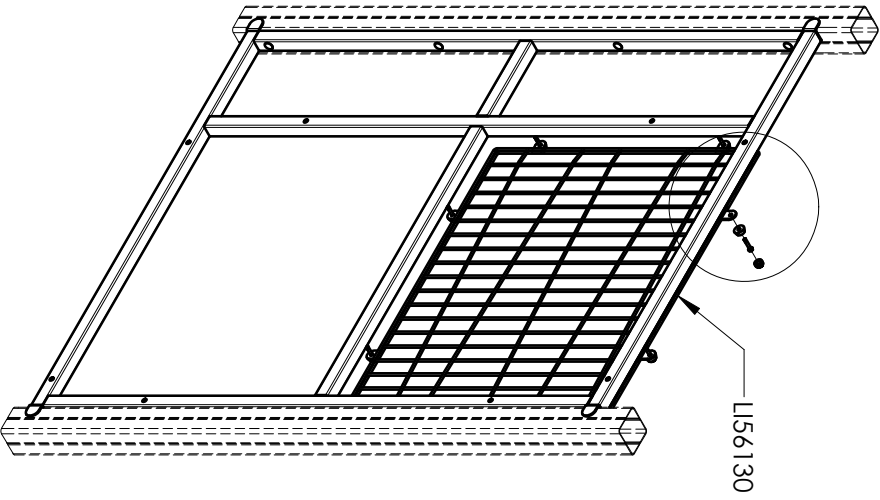
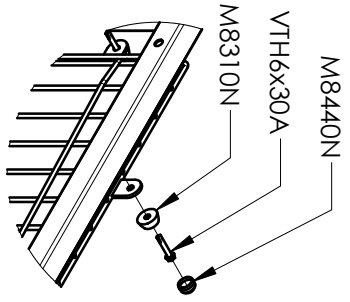
1x  
LI56130



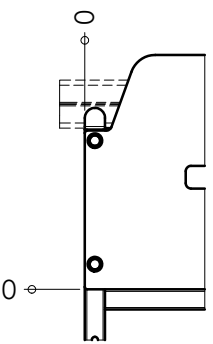
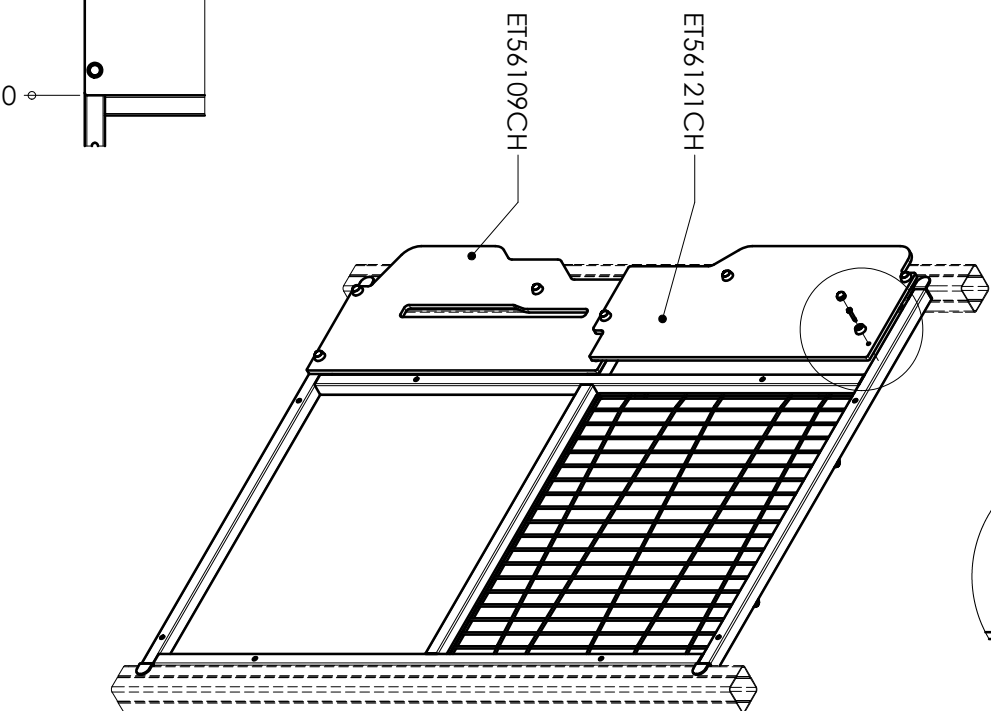
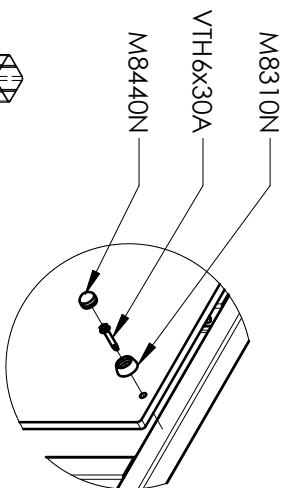
8x  
M2200

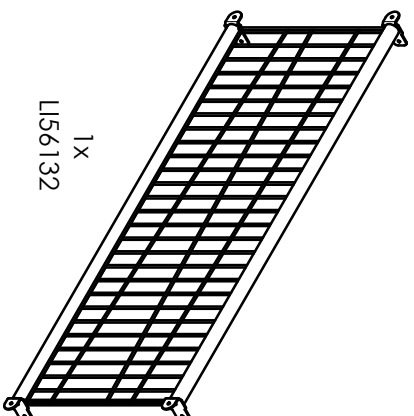
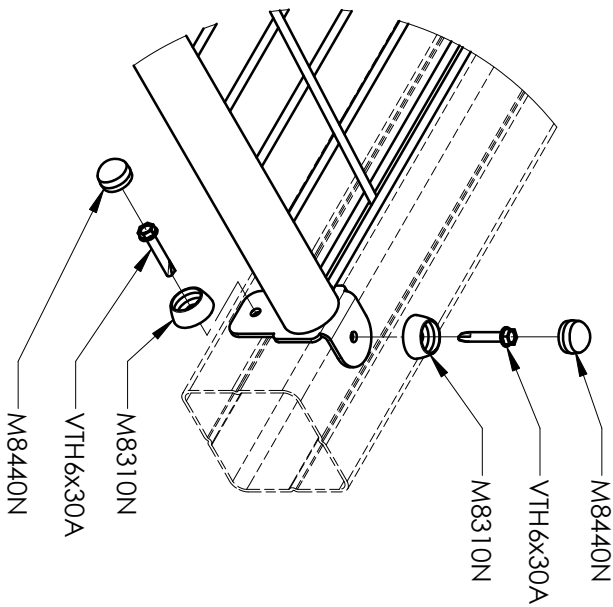
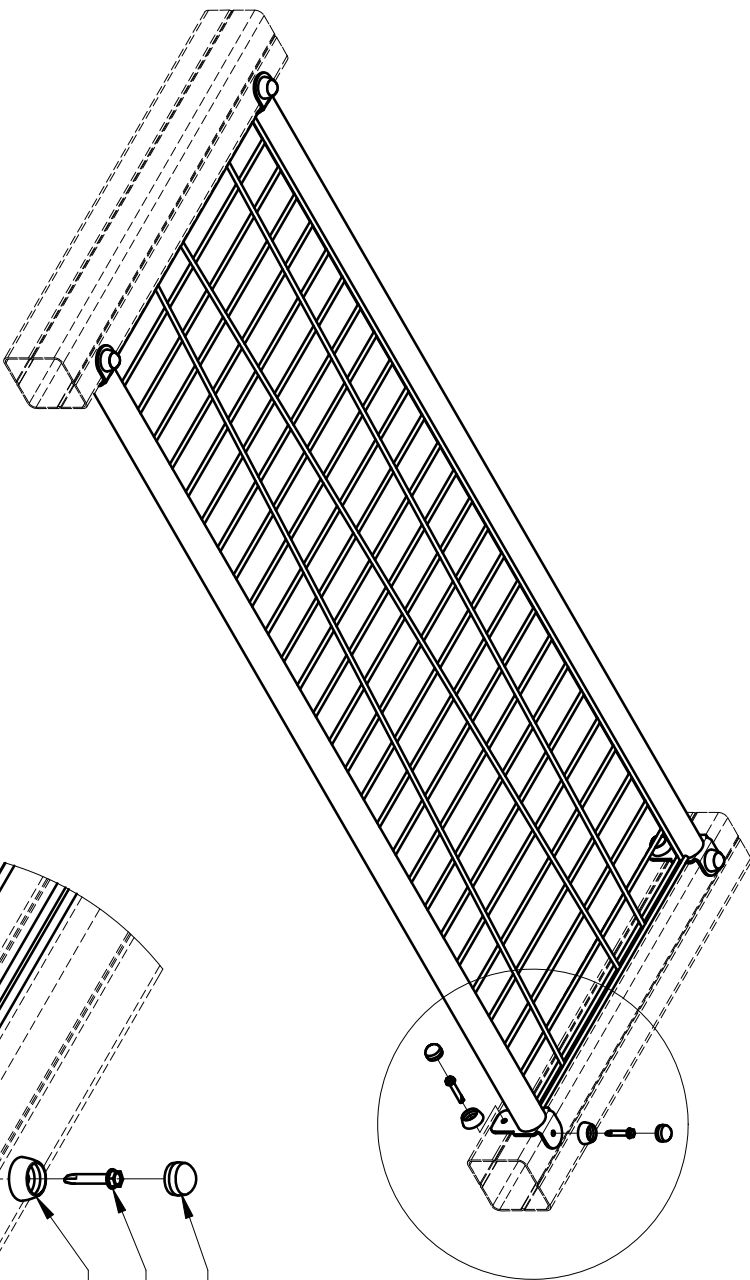
ET56109CH	1
ET56121CH	1
LGP56001	1
LI56130	1
M2200	8
M8310N	16
M8440N	16
VTH6x30A	24

2

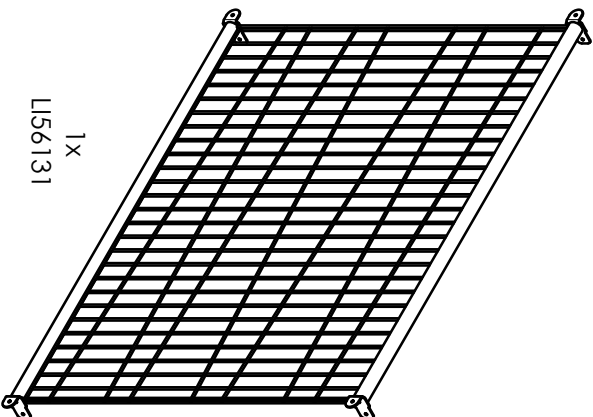
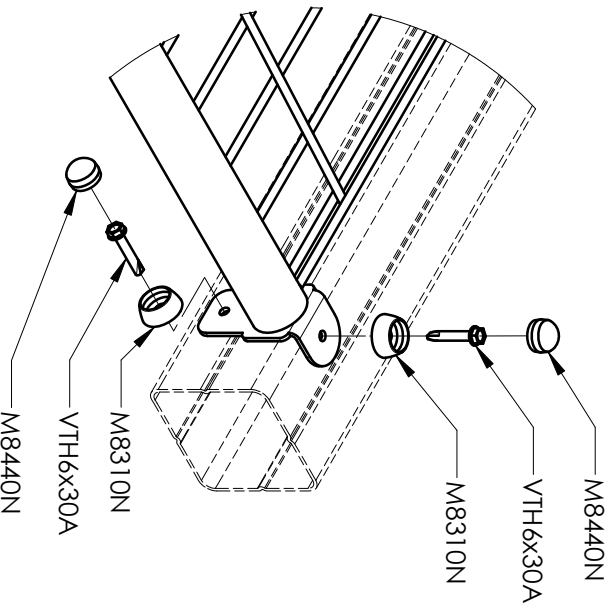
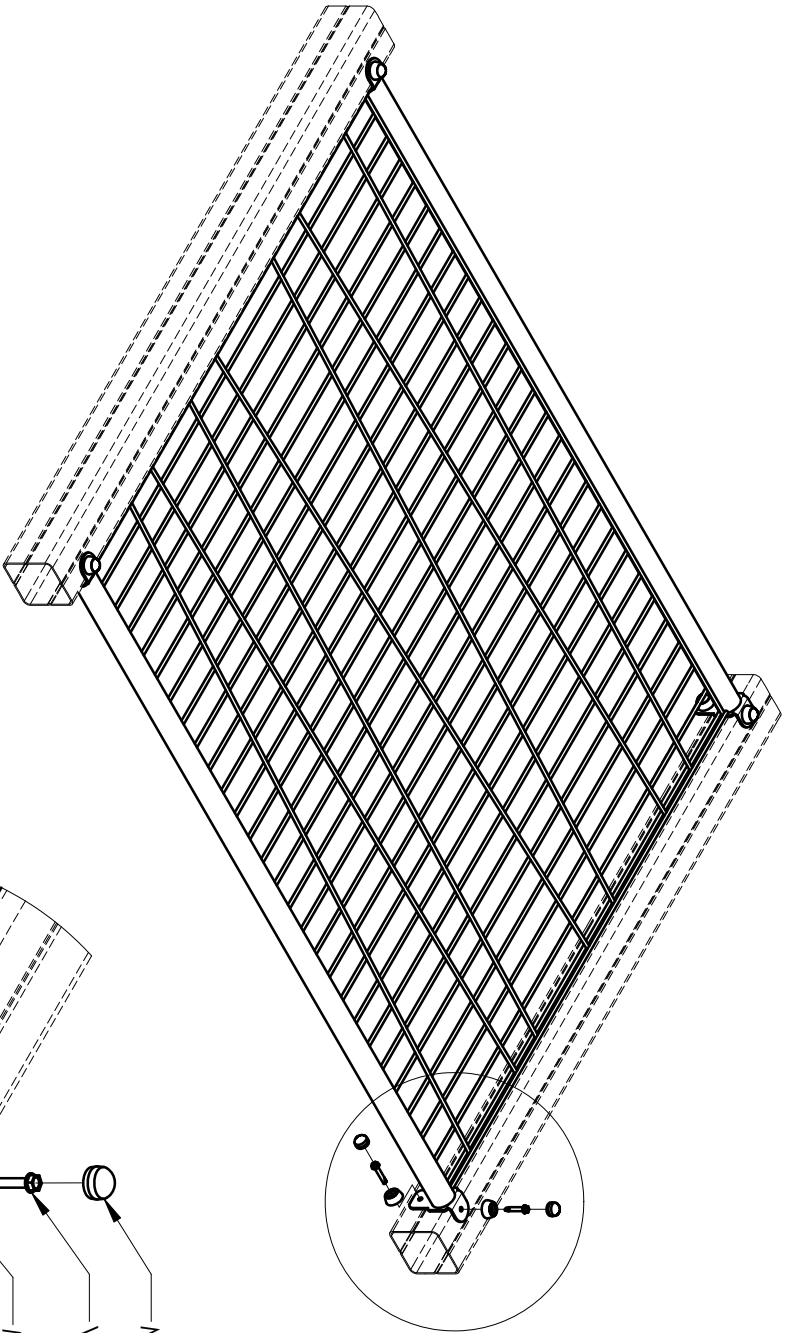


3





L56132	1
M8310N	8
M8440N	8
VTH6x30A	8

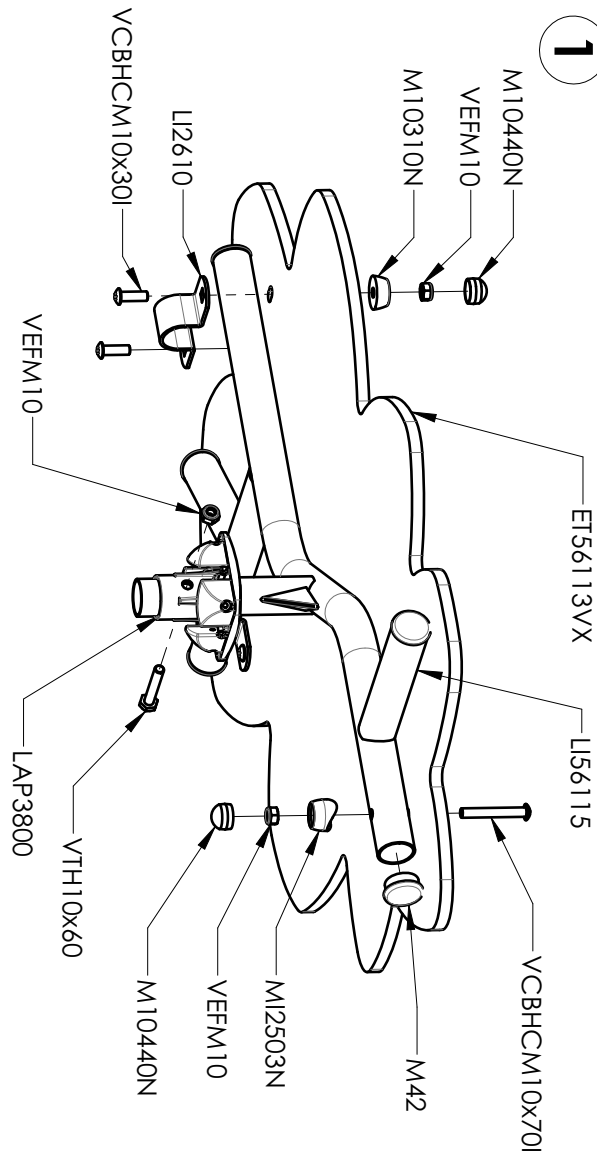


1x  
L56131

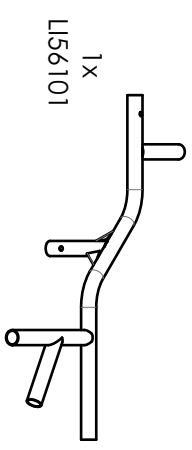
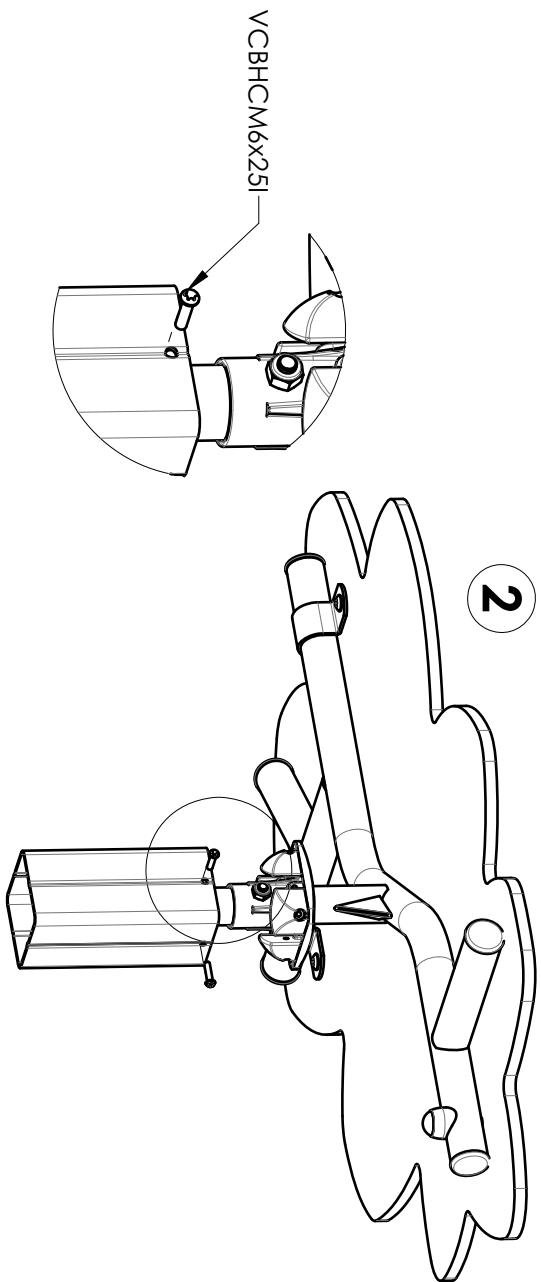
L56131	1
M8310N	8
M8440N	8
VTH6x30A	8



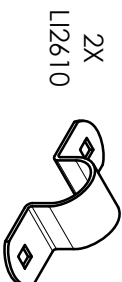
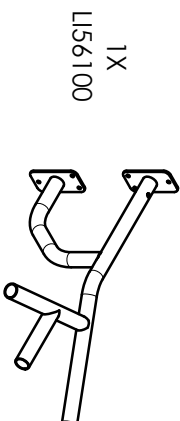
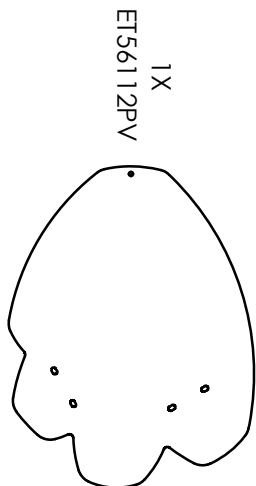
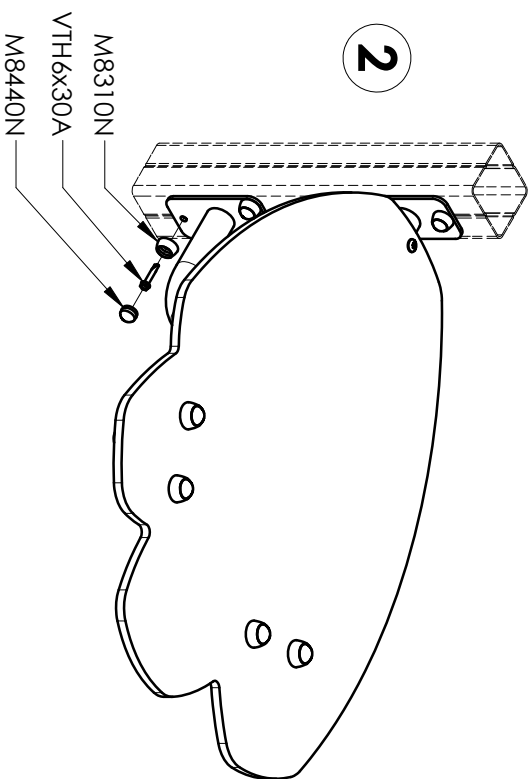
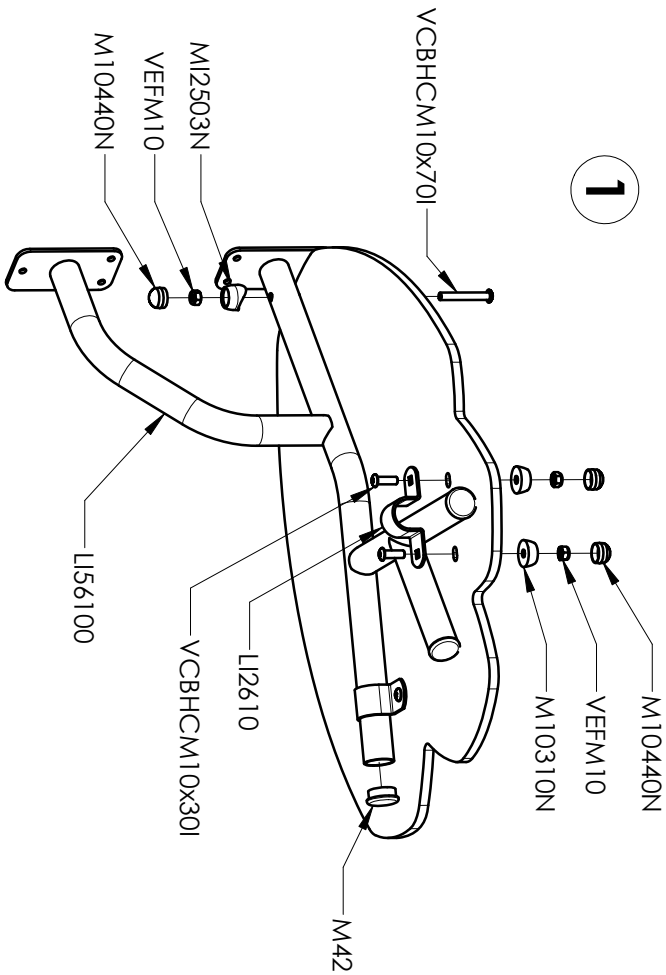
1



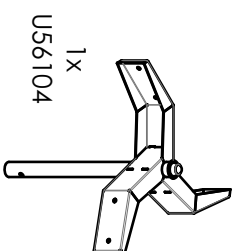
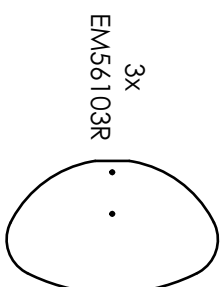
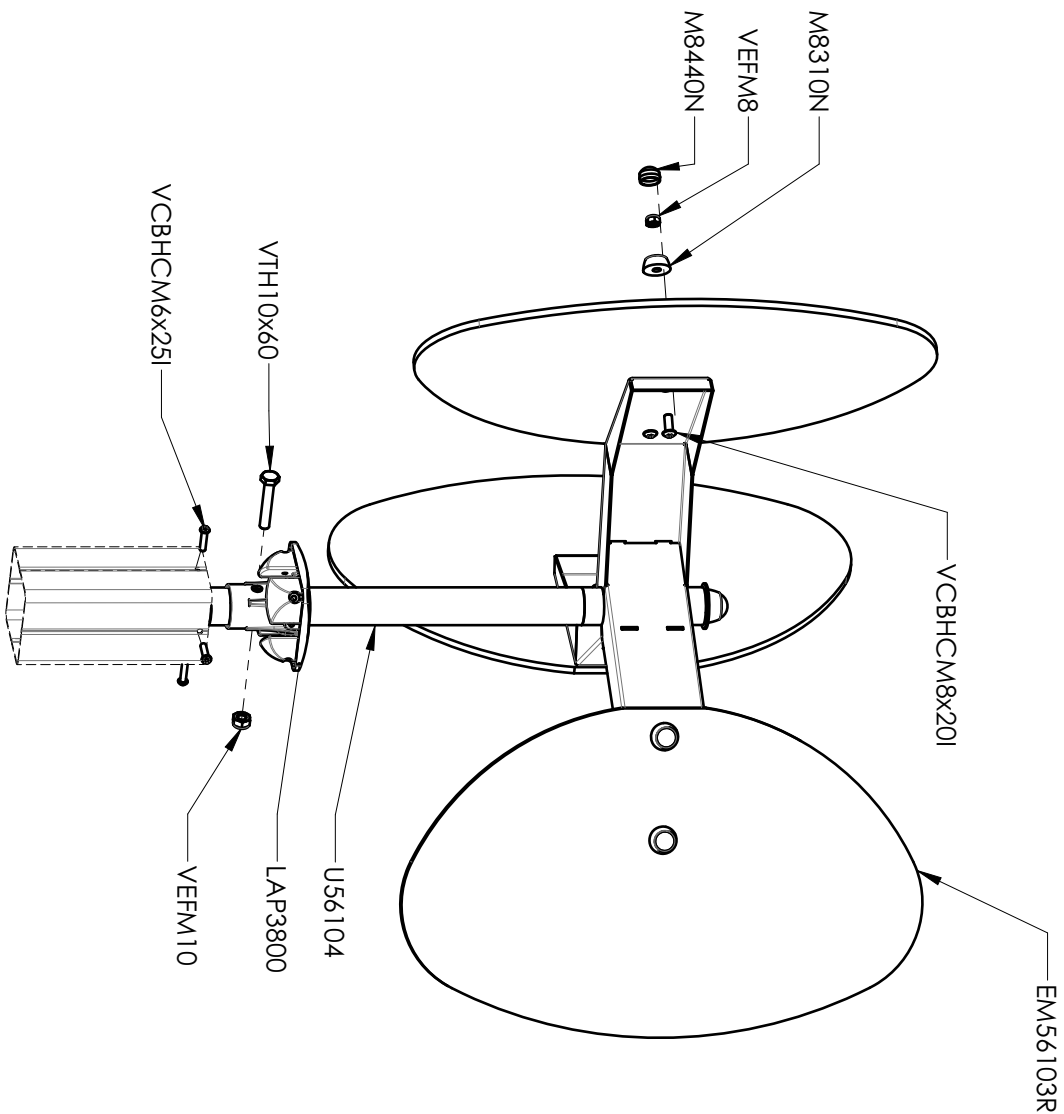
2



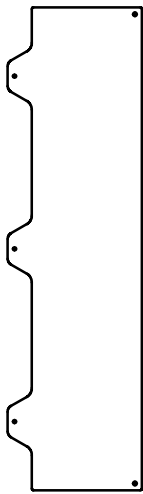
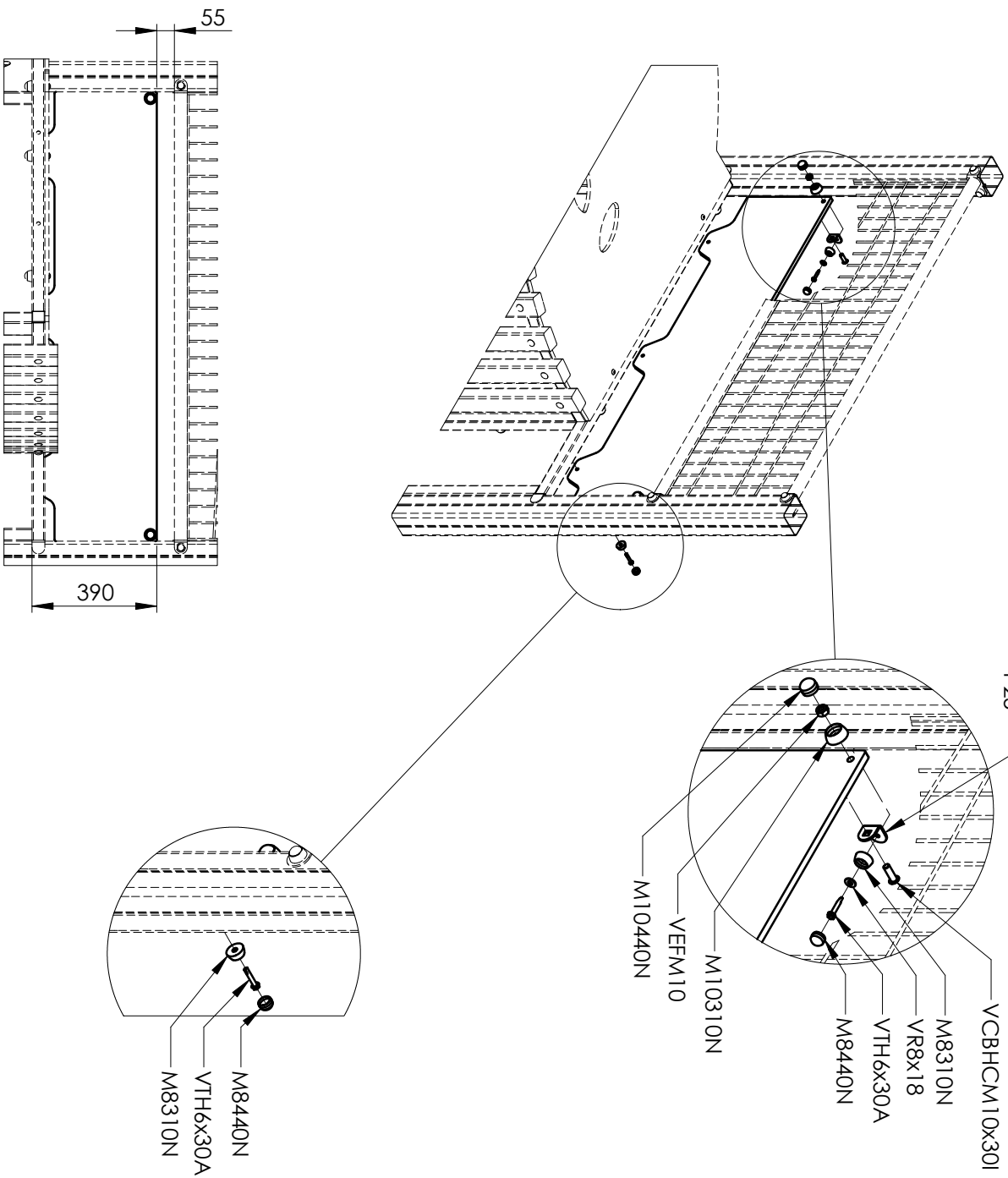
ET56113VX	1
LAP3800	1
L12610	2
LIS6101	1
M42	5
M10310N	4
M10440N	5
M12503N	1
VCBHCM6x25I	4
VCBHCM10x30I	4
VCBHCM10x70I	1
VEFM10	6
VTH10x60	1



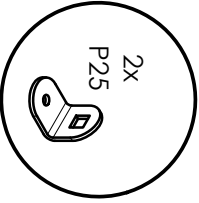
ET56112PV	1
L12610	2
L156100	1
M42	3
M8310N	6
M8440N	6
M10310N	4
M10440N	5
M12503N	1
VCBHCM10x30I	4
VCBHCM10x70I	1
VEFM10	5
VTH6x30A	6



EM56103R	3
LAP3800	1
M8310N	6
M8440N	6
U56104	1
VCBHCM6x251	4
VCBHCM8x201	6
VEFM8	6
VEFM10	1
VTH10x60	1

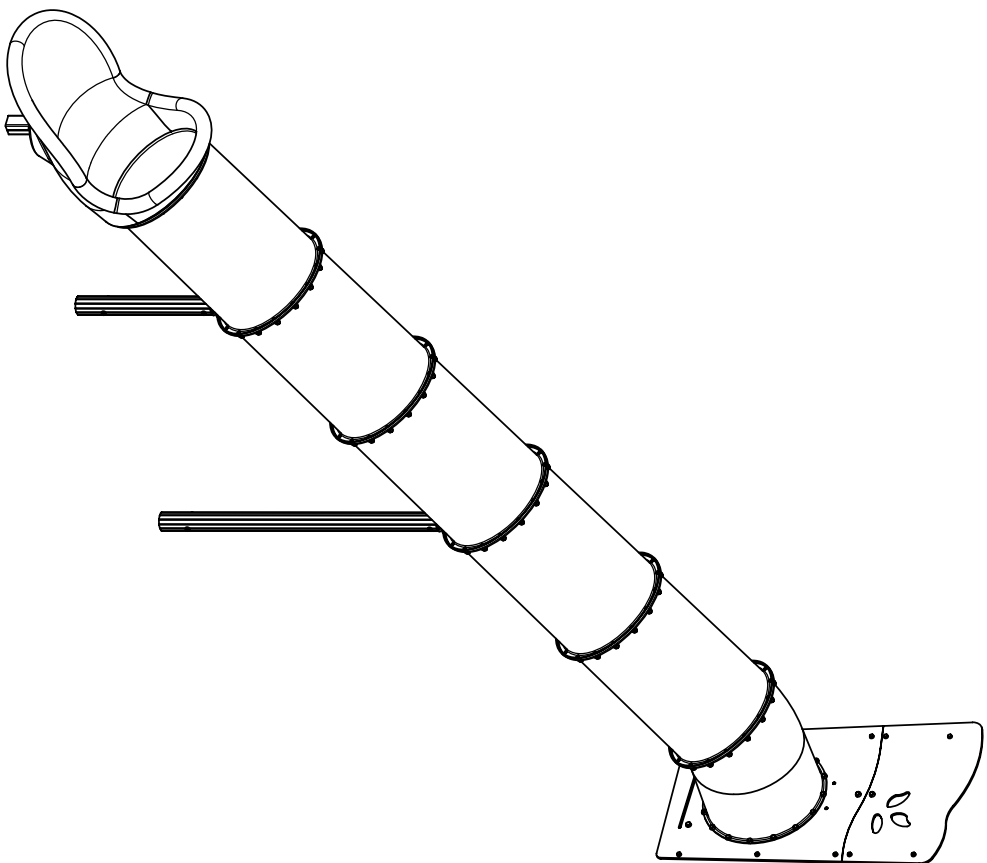


1x  
ET56122CH

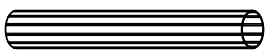


2x  
P25

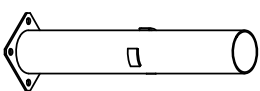
ET56122CH	1
M8310N	5
M8440N	5
M10310N	2
M10440N	2
P25	2
VCBHCM10x30I	2
VEFM10	2
VR8x18	2
VTH6x30A	5



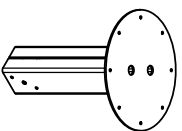
1x  
LGP47006  
955 mm



2x  
LG4708



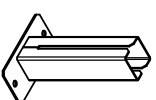
1x  
LG47000



1x  
LGP47005  
1955 mm



1x  
LG1913



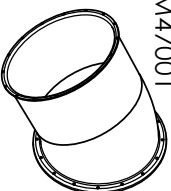
2x  
LP47001



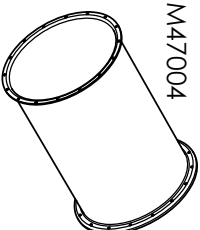
1x  
ET56105VX



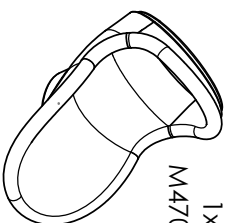
1x  
M47001



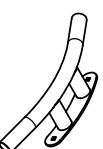
5x  
M47004



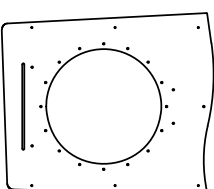
1x  
M47005



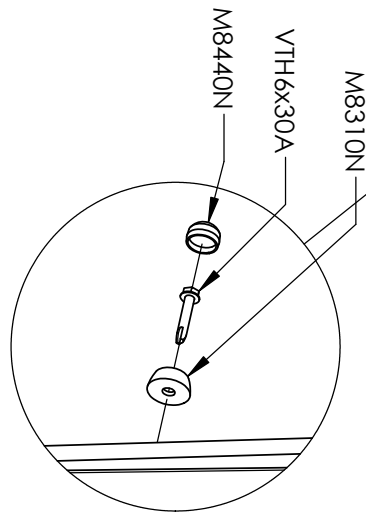
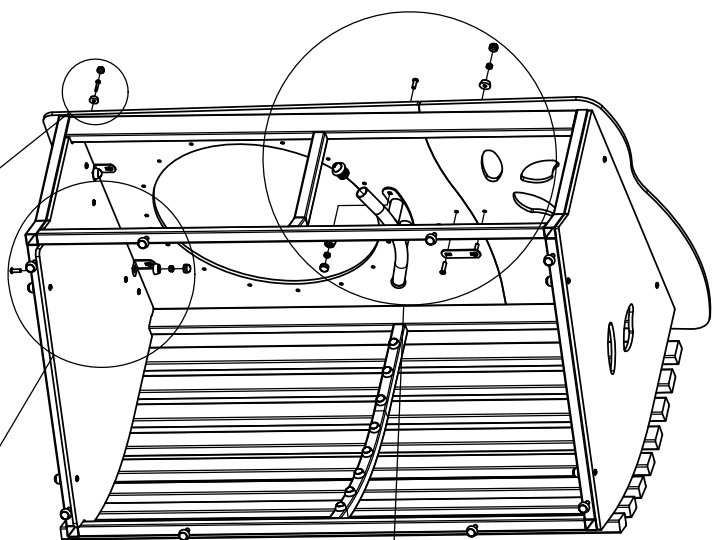
1x  
L147600



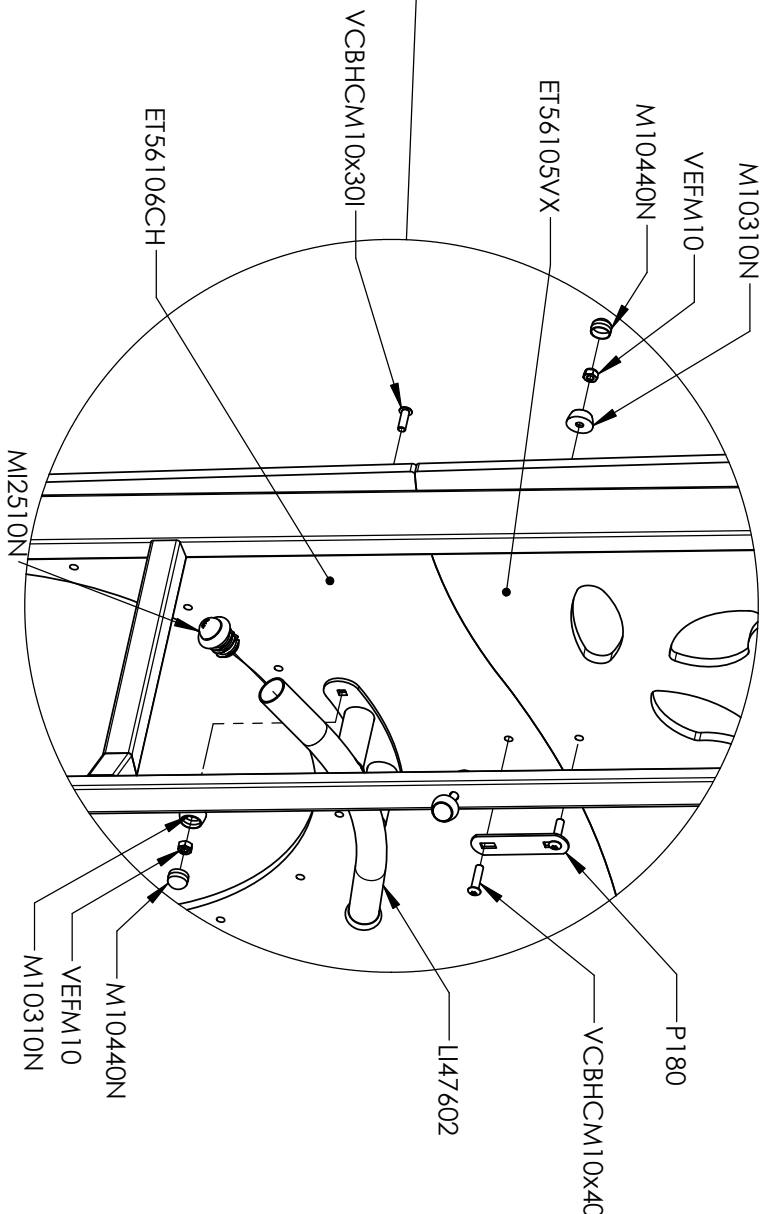
1x  
ET56106CH



ET56105VX	1
ET56106CH	1
LG1913	1
LG3814	2
LG4708	2
LG47000	1
LGP47005	1
LGP47006	1
L147600	1
LP47001	2
M8310N	22
M8440N	22
M10310N	114
M10440N	114
M47001VX	1
M47004VX	5
M47005	1
M12510N	2
P20	2
P180	1
VBT6x35	8
VCBHCMI0x30I	24
VCBHCMI0x40I	98
VEFM10	104
VR10x22	112
VTH6x30A	18
VTH6x60 AUTO	4



M8310N  
VTH6X30A  
M8440N

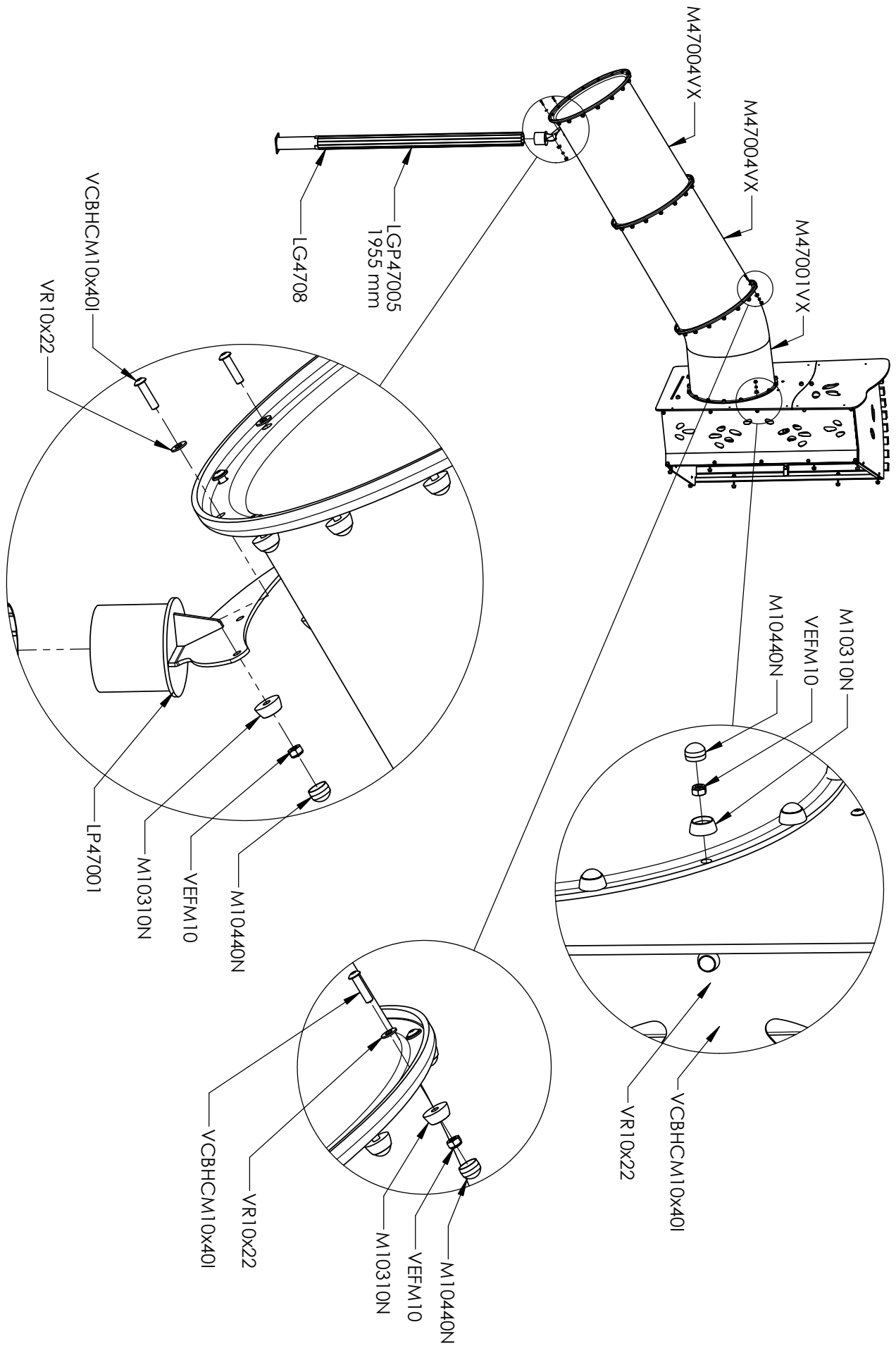


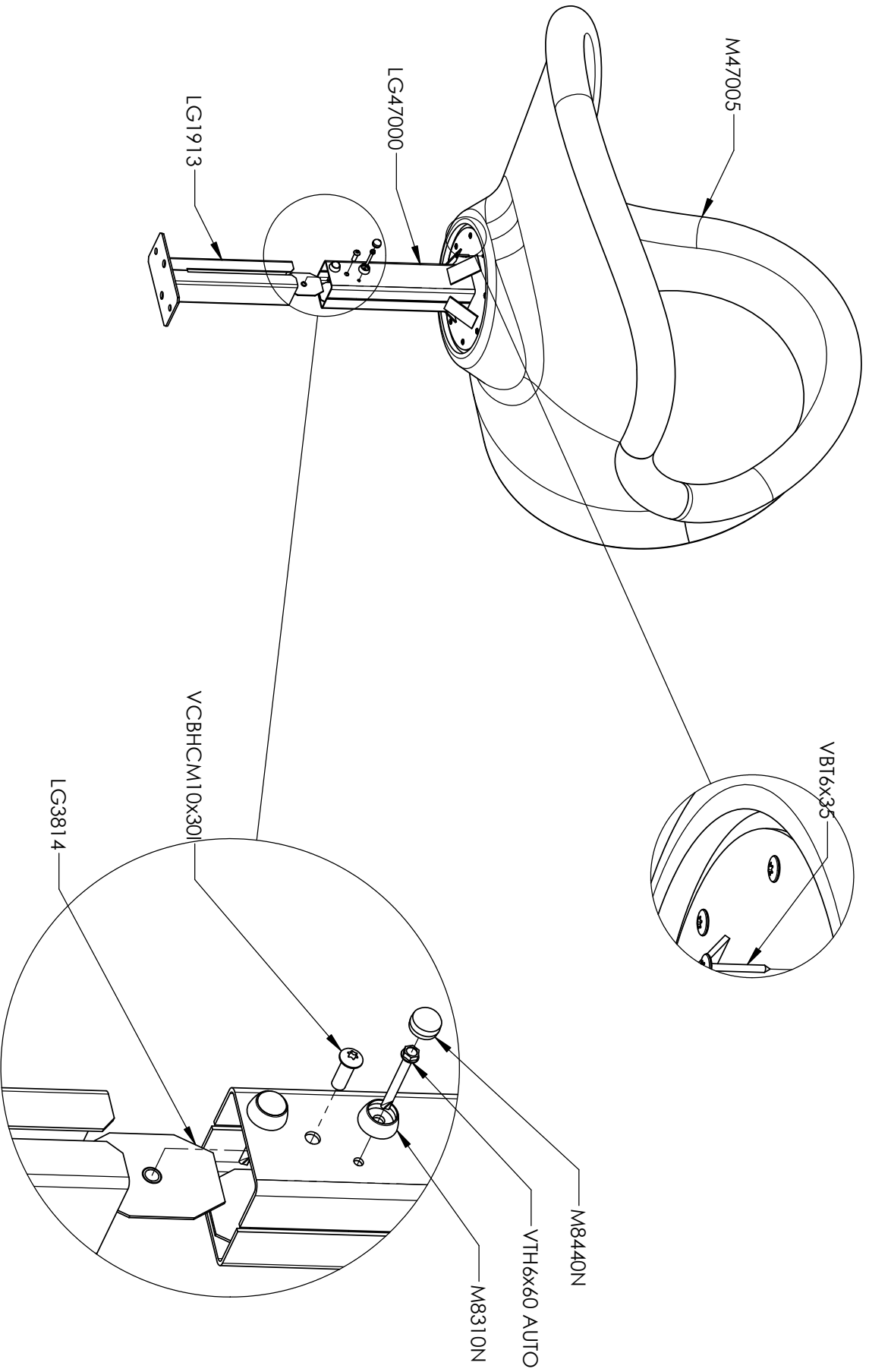
M10310N  
VEFM10  
M10440N  
ET56105VX  
VCBHC M10X30I

ET56106CH

M10440N  
M10310N  
P20  
VCBHC M10X30I

P180  
VCBHC M10X40I  
L147602  
M10440N  
VEFM10  
M10310N  
M12510N









VCBHCM10x301

VR10x22

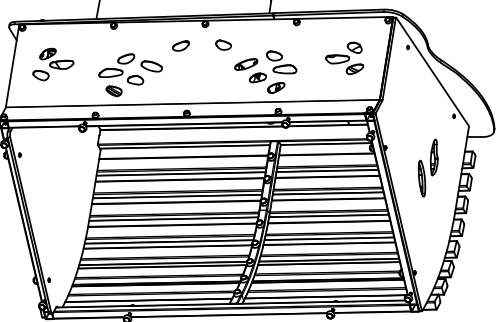
M47004VX

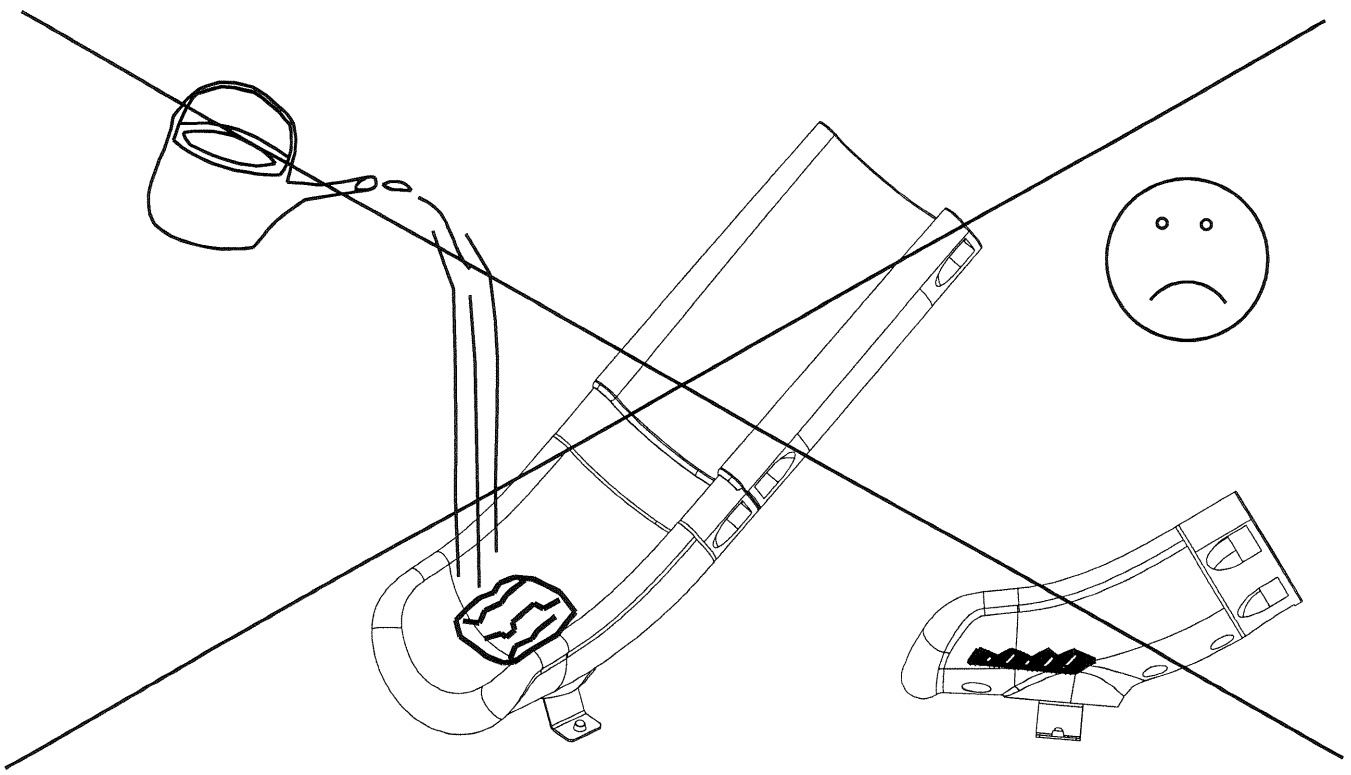
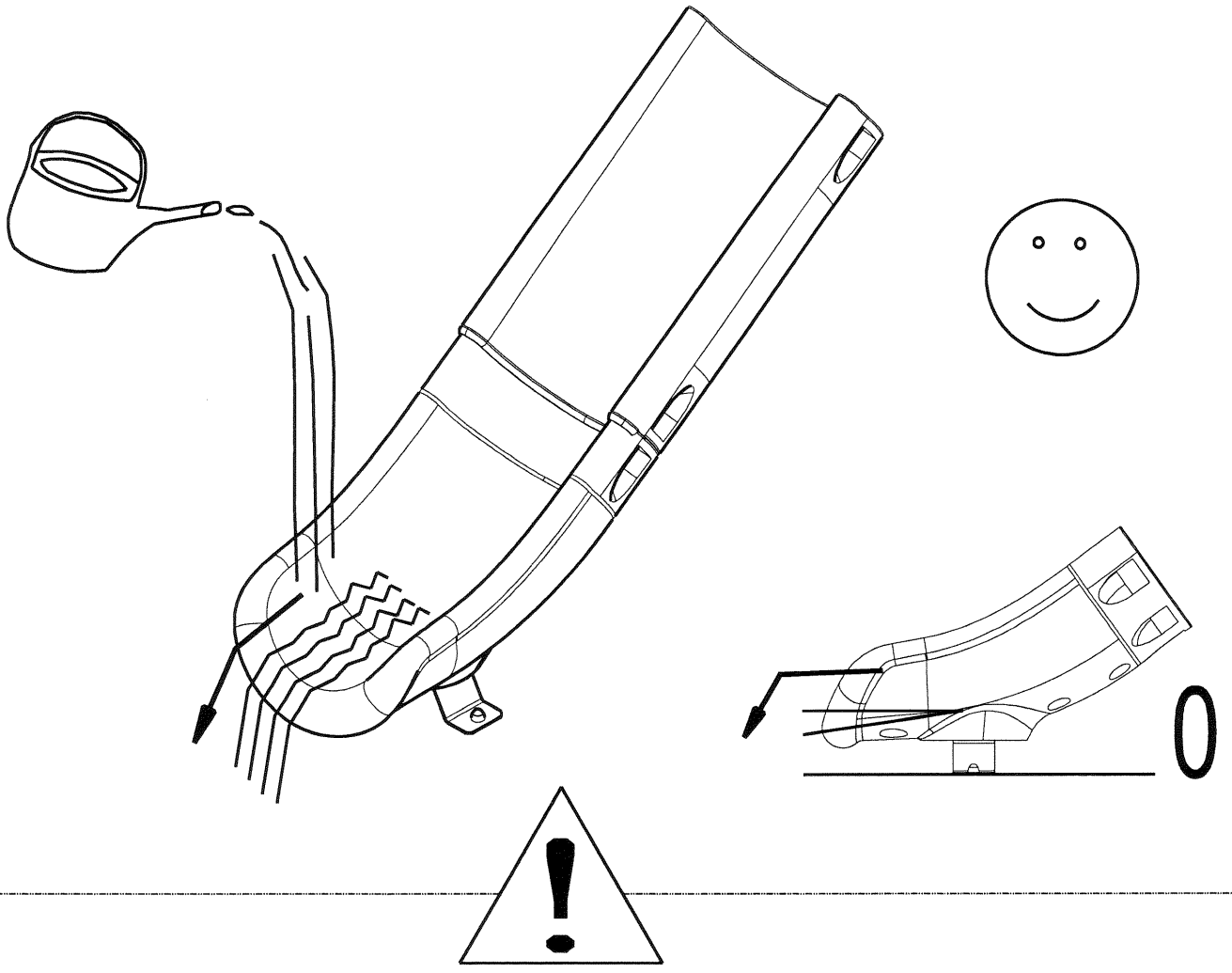
M47005

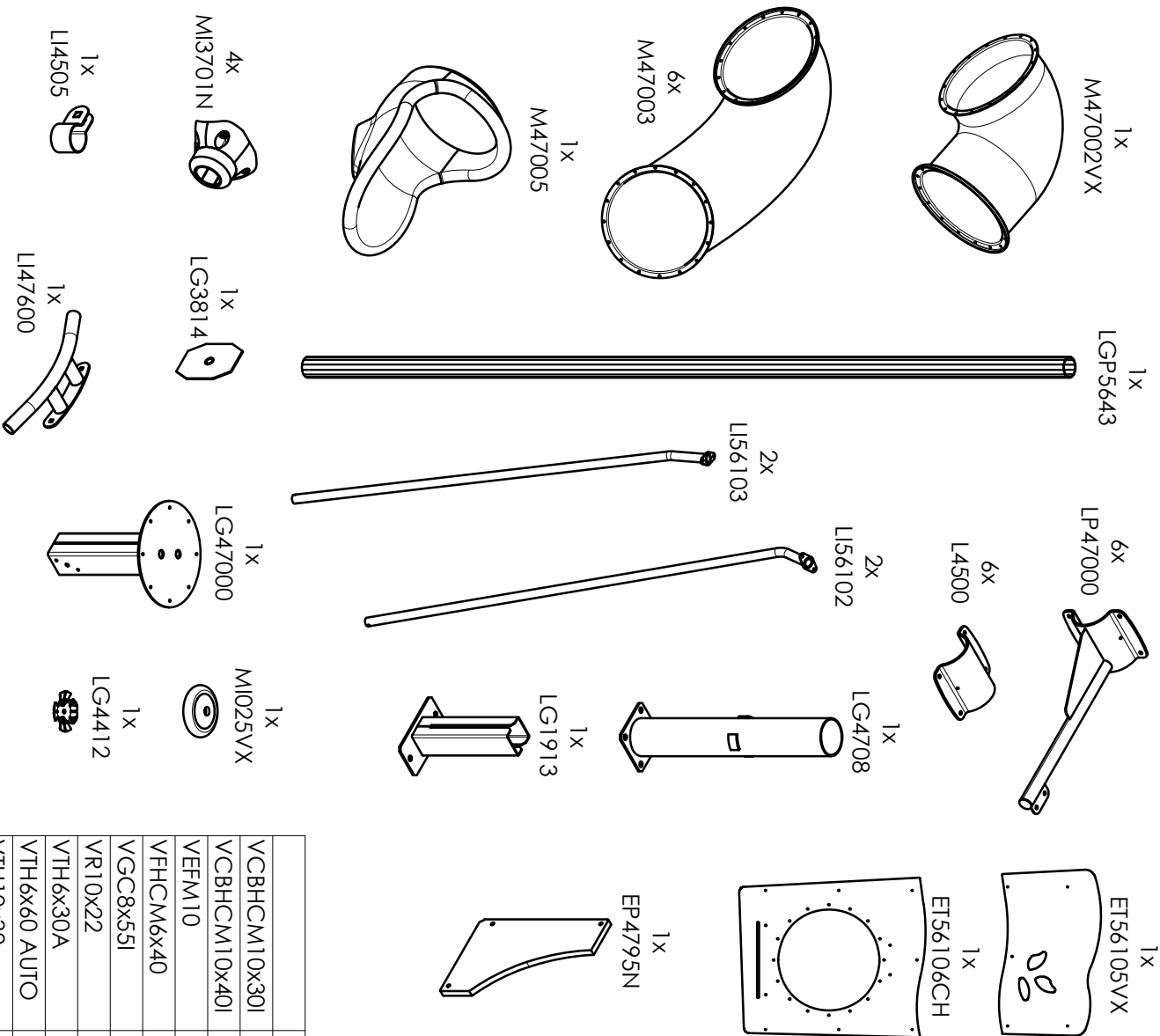
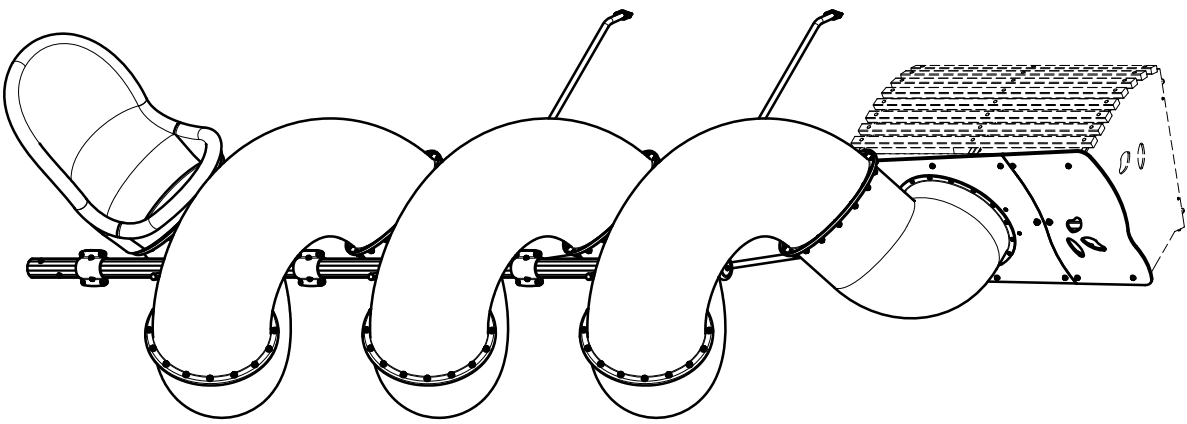
LGP47006

LG4708

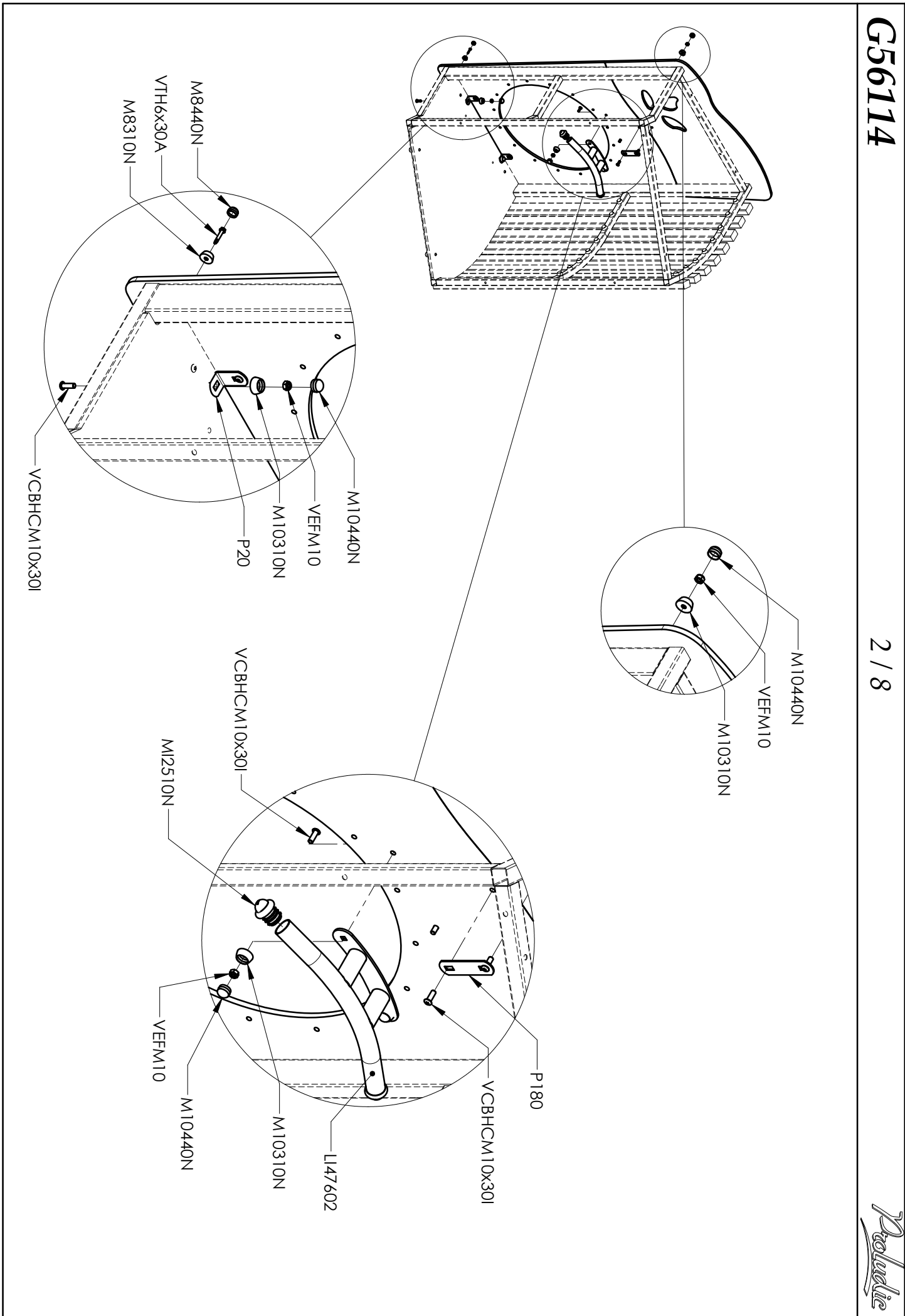
M8310N  
VTH6x30A  
M8440N  
M8310N  
VTH6x30A  
M8440N

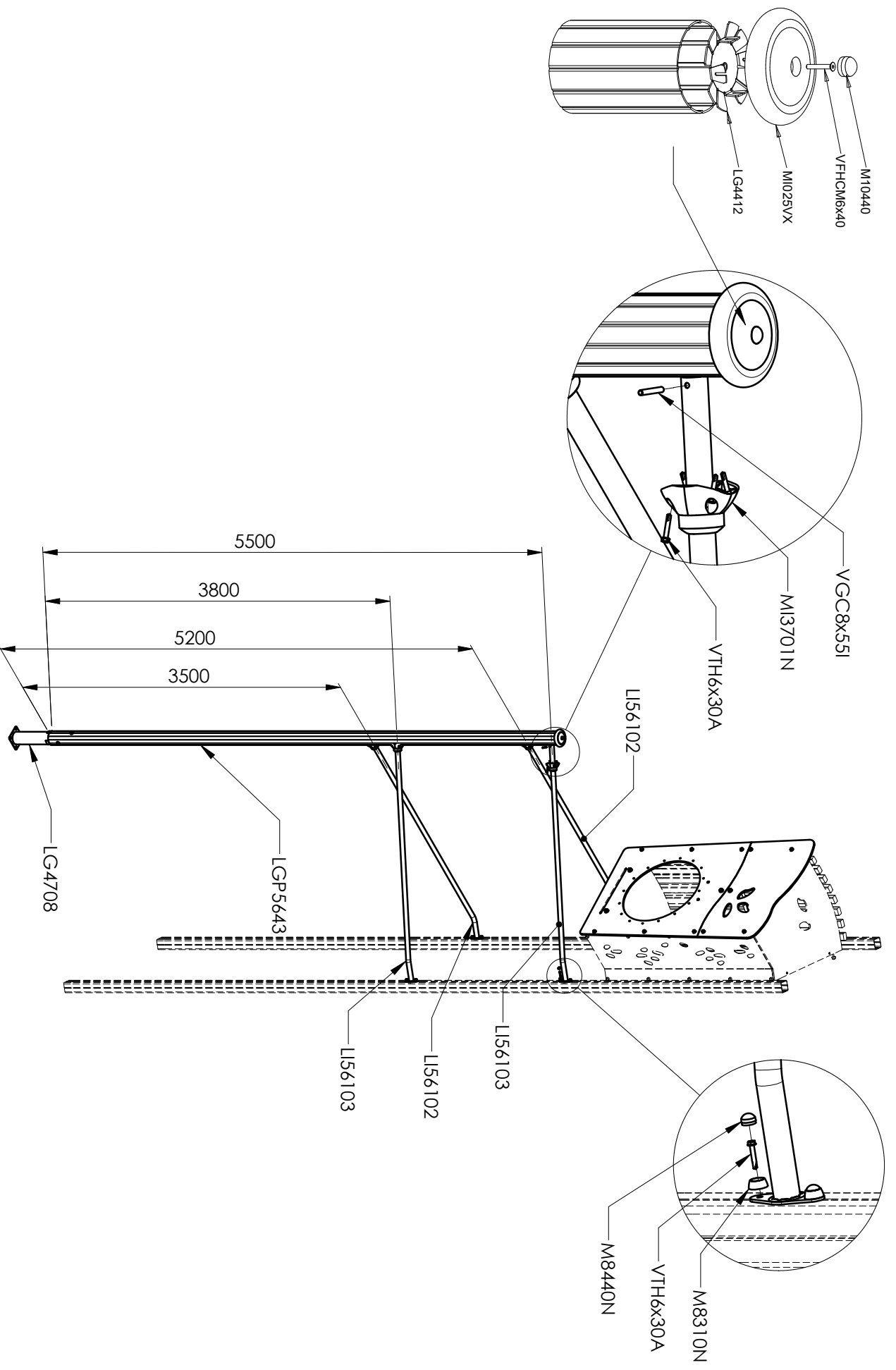


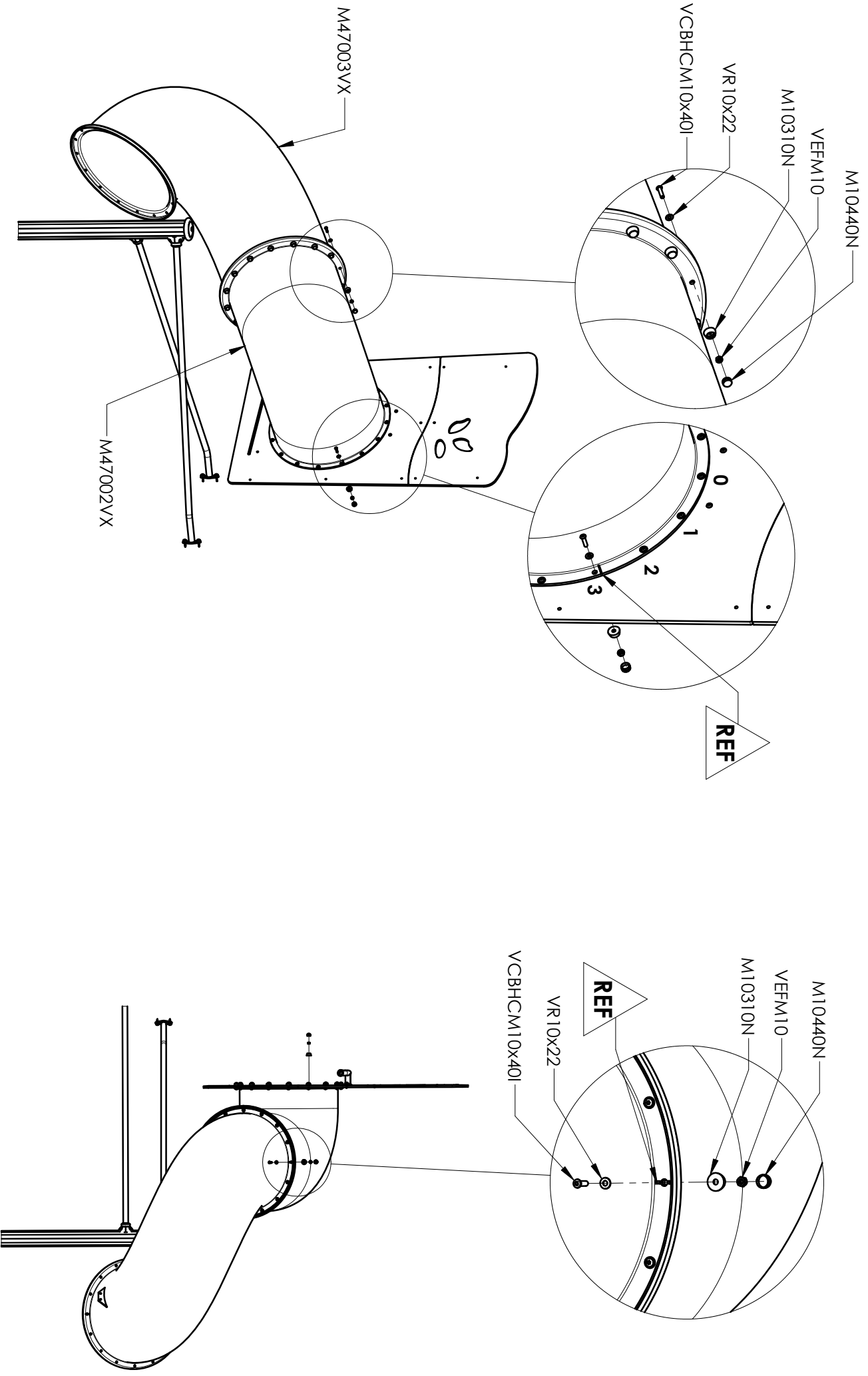


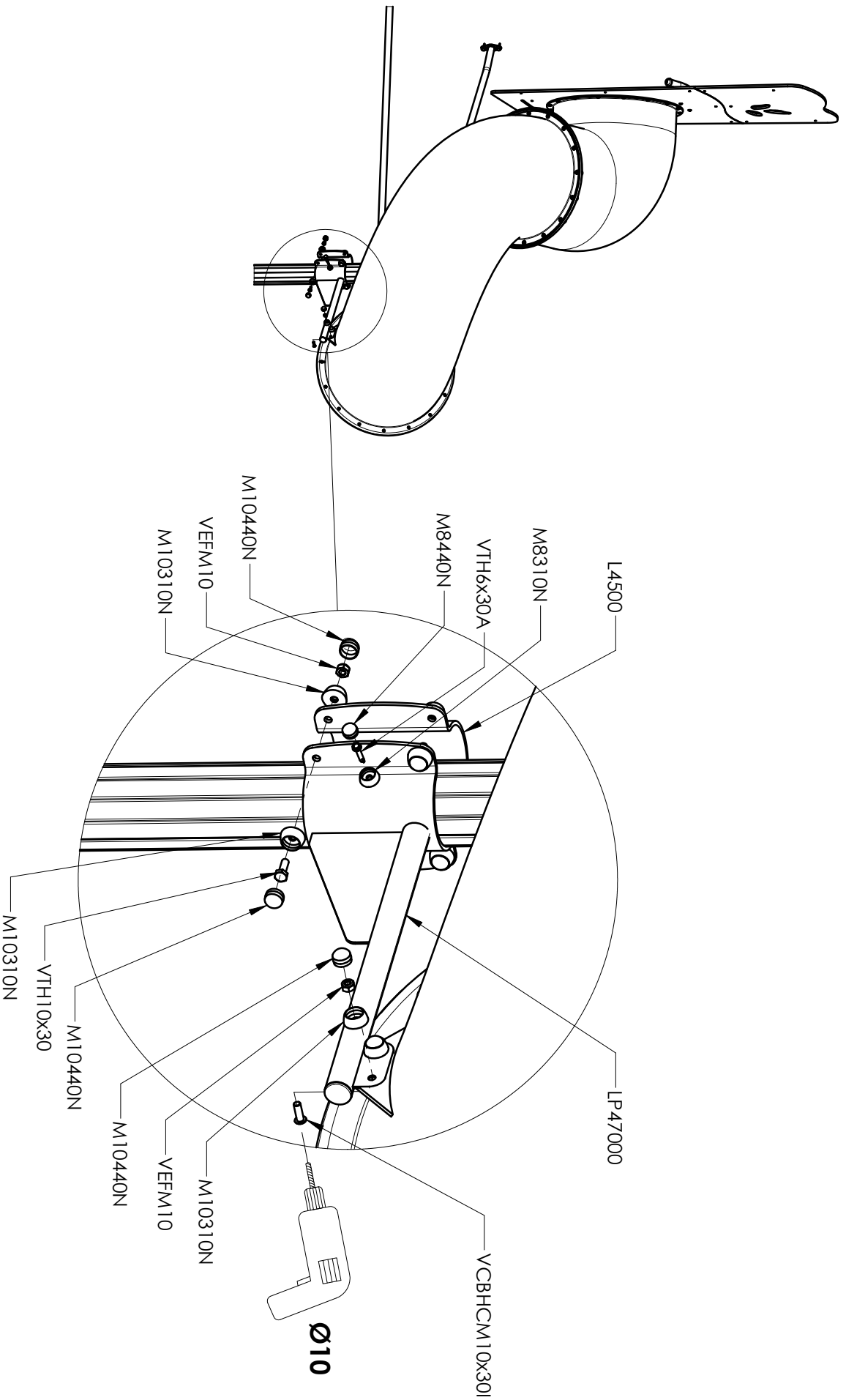


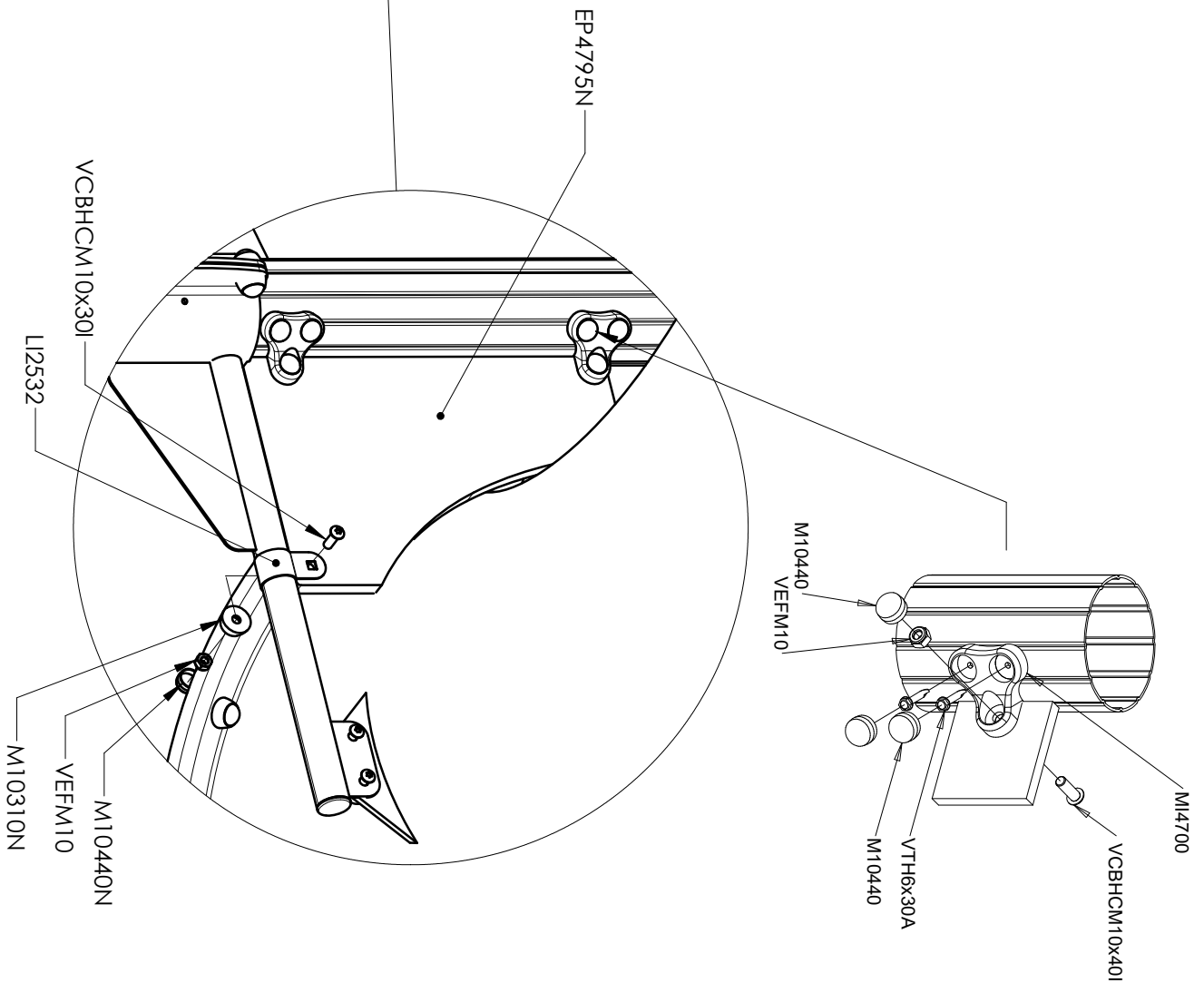
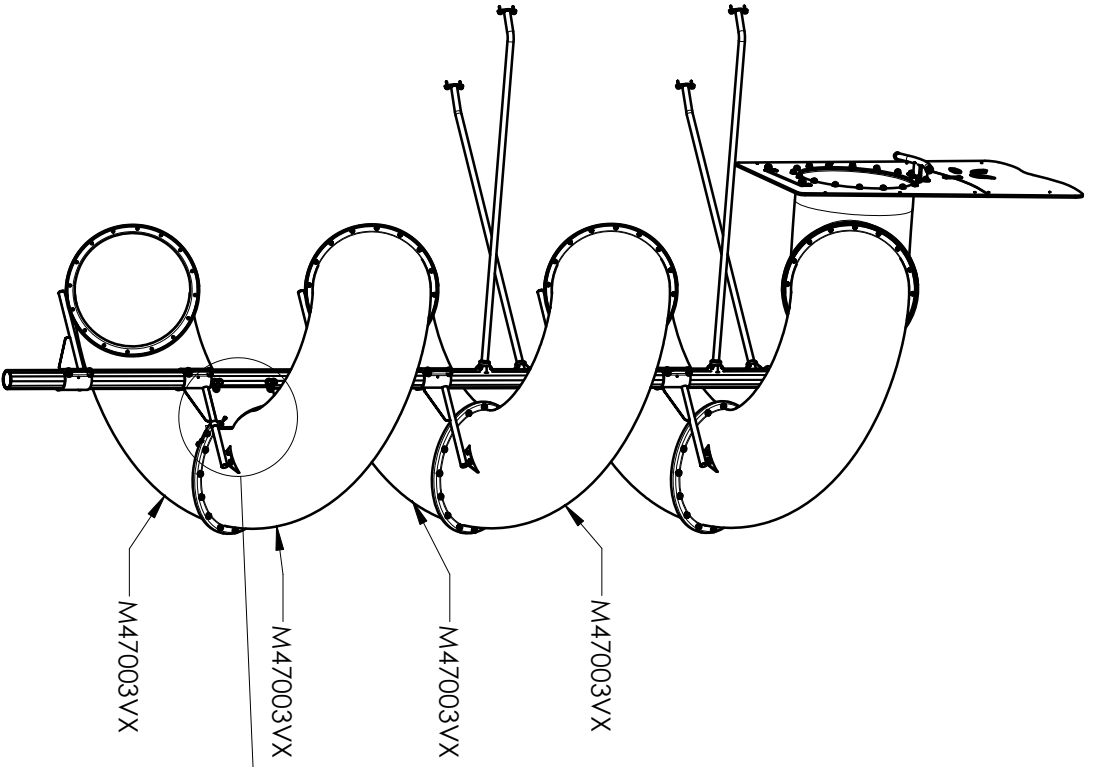
VCBHC10x301	39	M47005	1
VCBHC10x401	114	M1025VX	1
VEFM10	159	M12510N	2
VFHC6x40	1	M13701N	4
VGC8x55I	4	M14700	2
VR10x22	140	P20	2
VTH6x30A	66	P180	1
VTH6x60 AUTO	4	RD14M10	6
VTH10x30	24	VB16x35	8



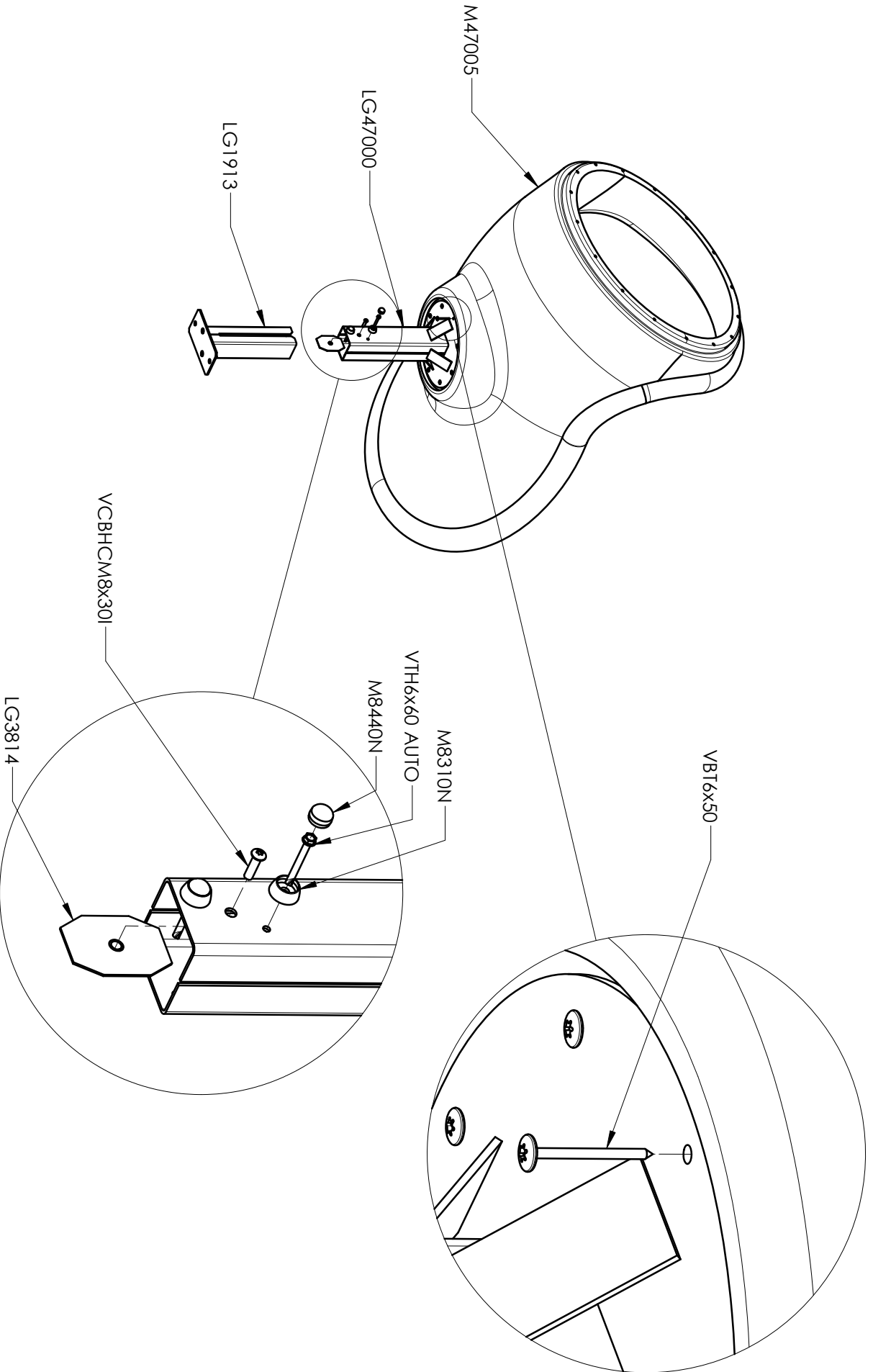


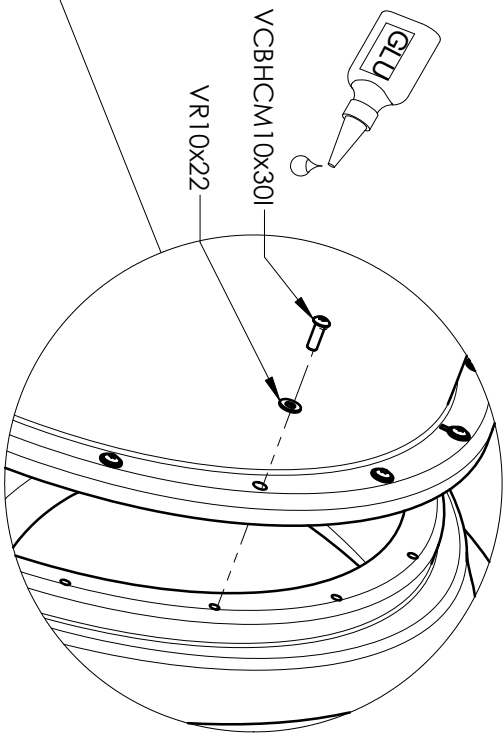
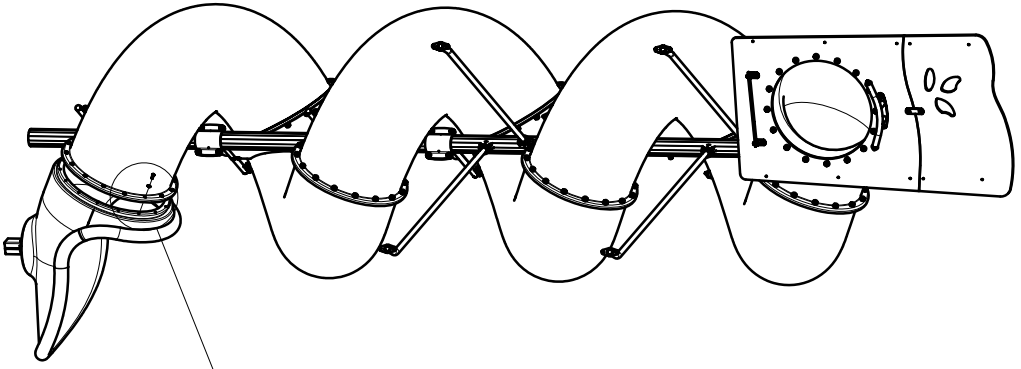


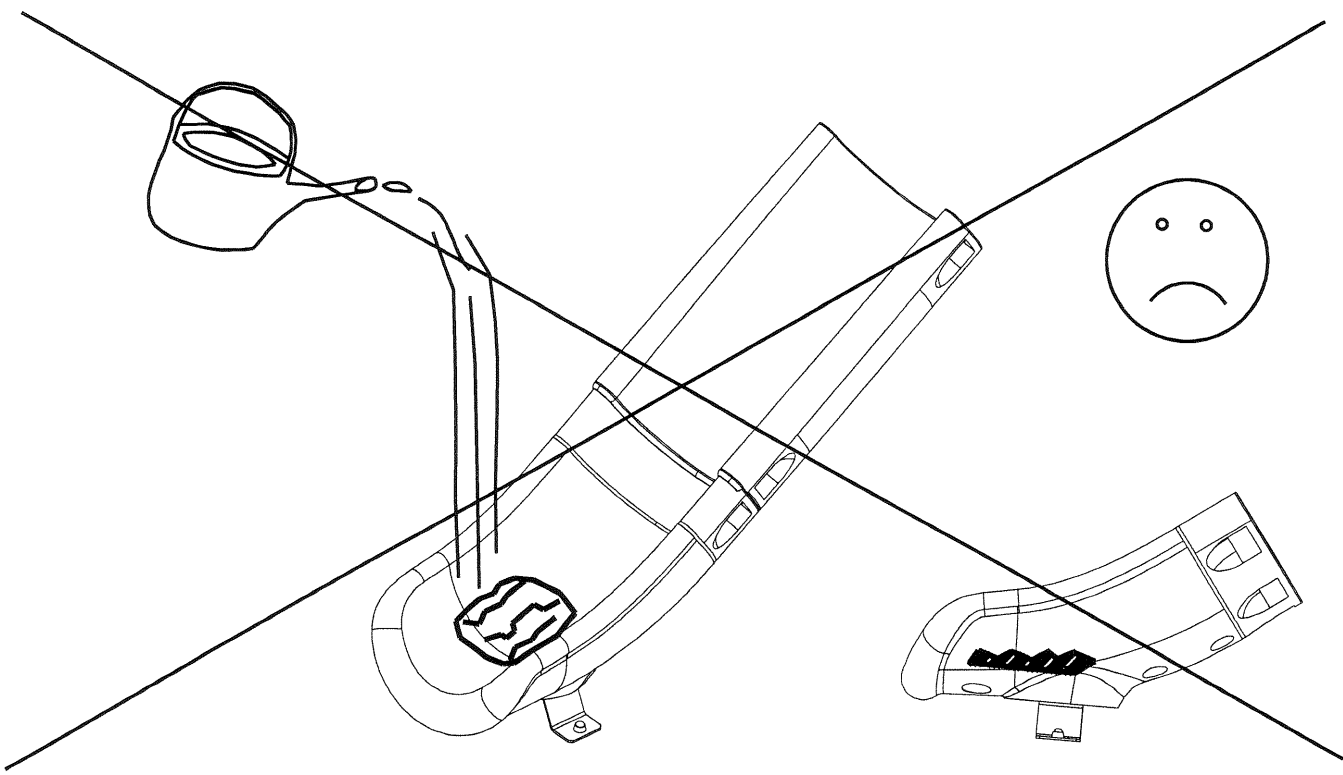
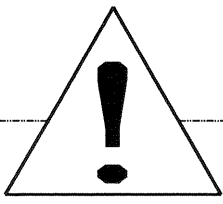
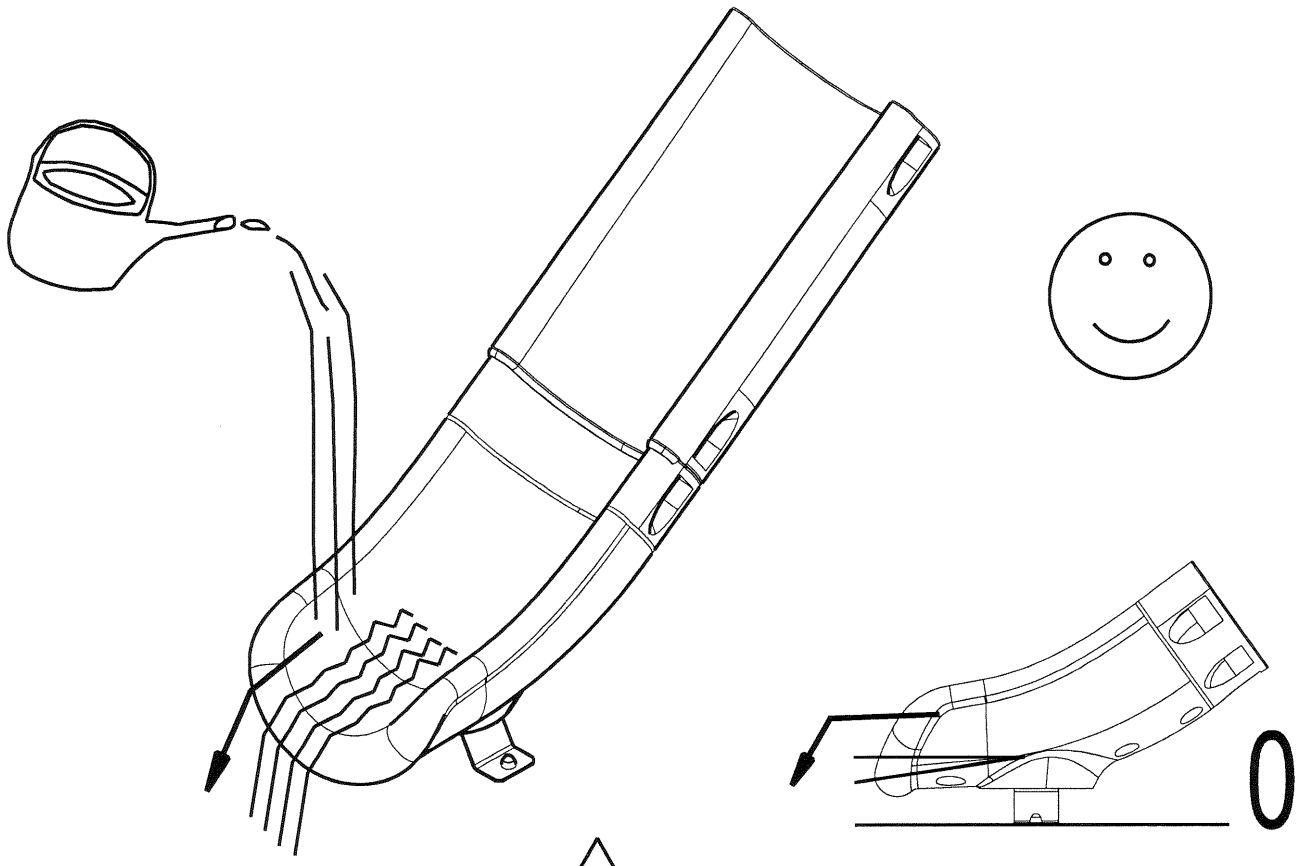


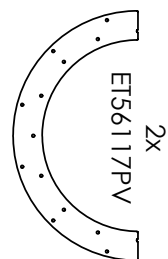
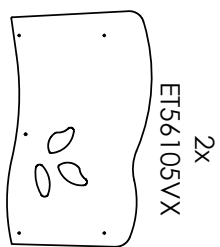
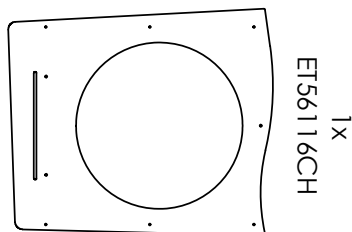
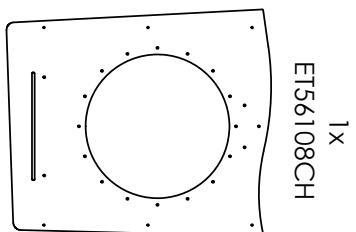
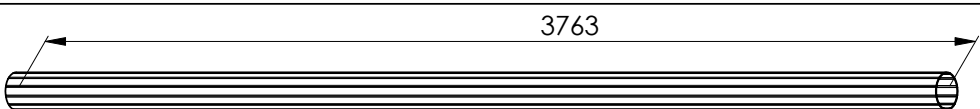
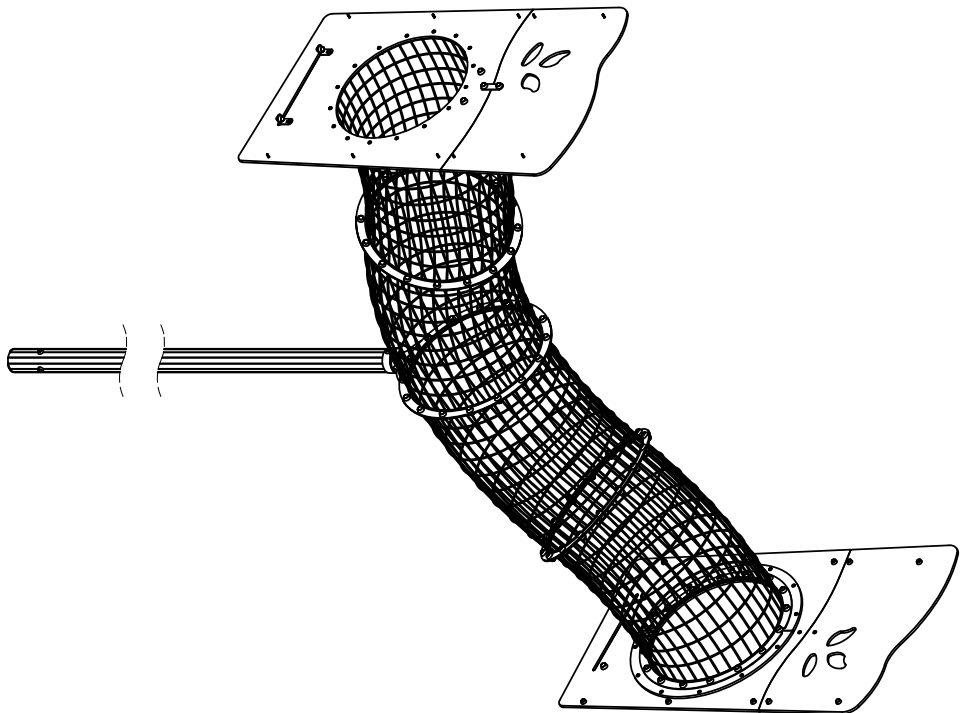




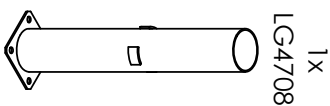
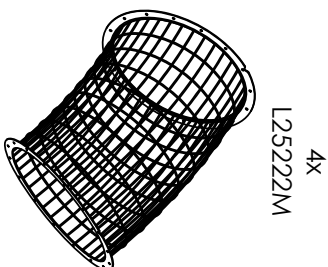
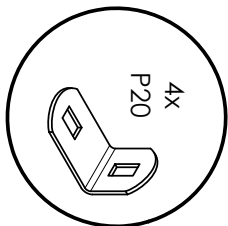
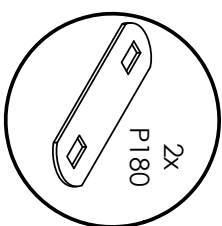






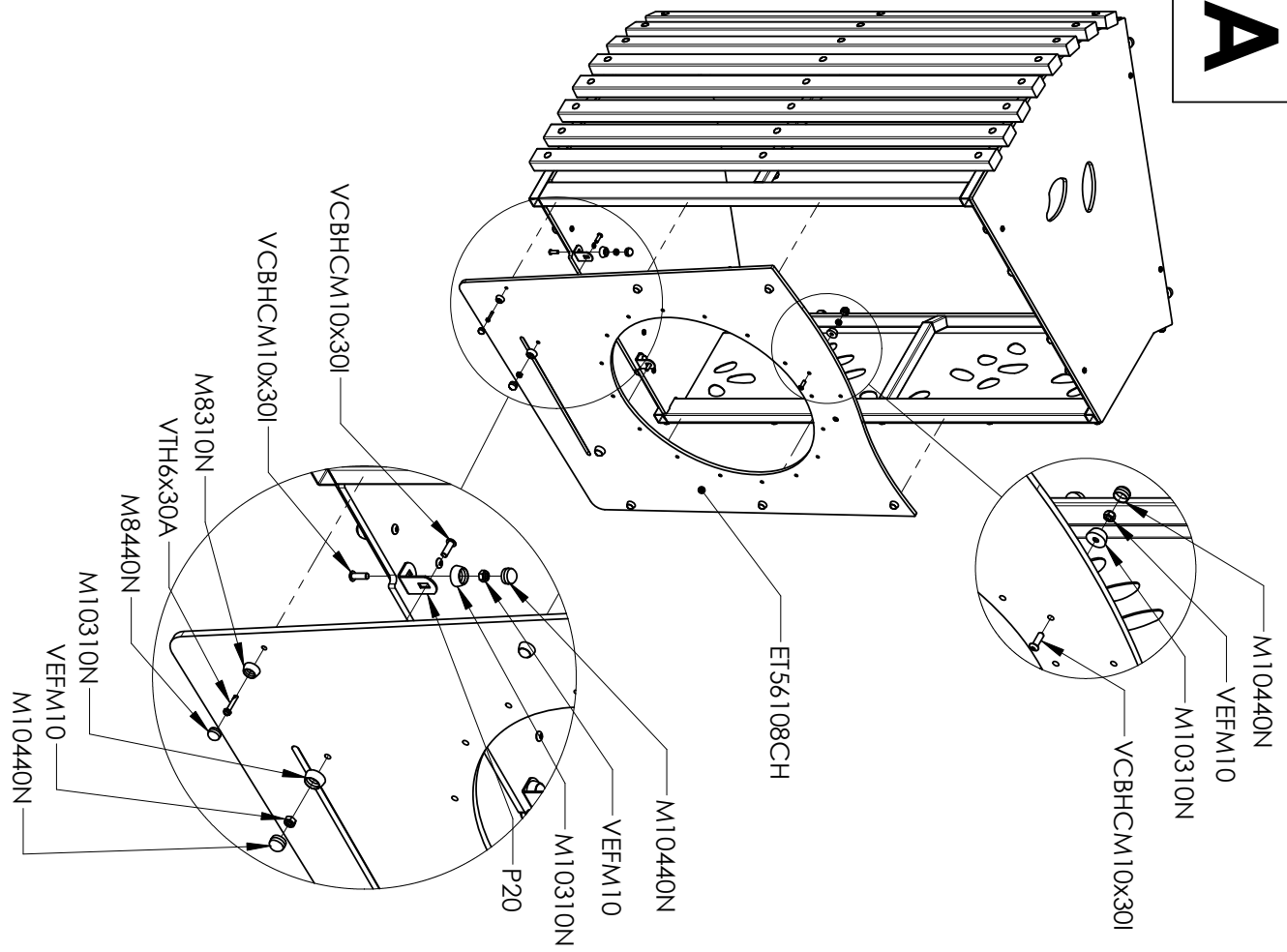


1x  
LGP5641

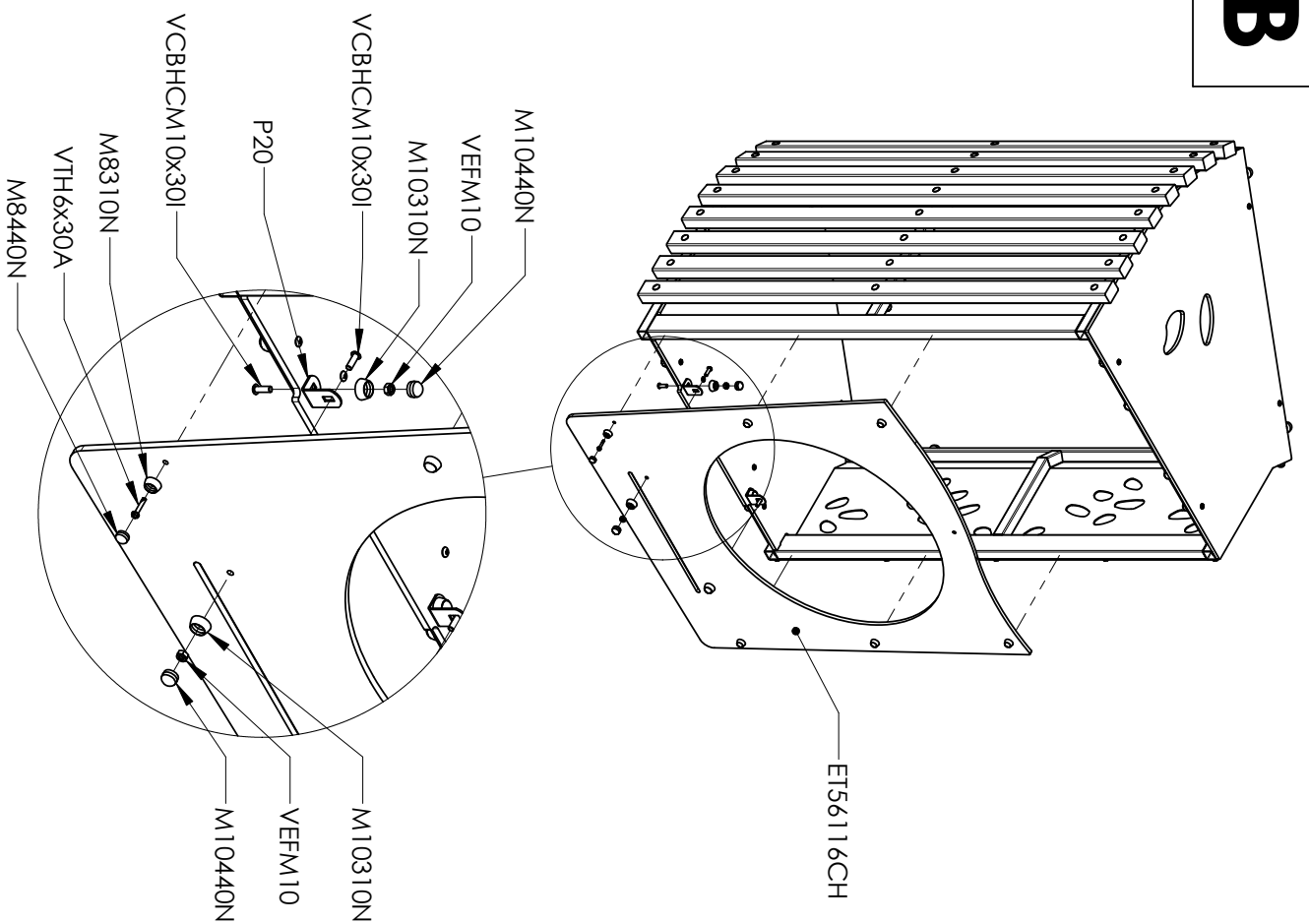


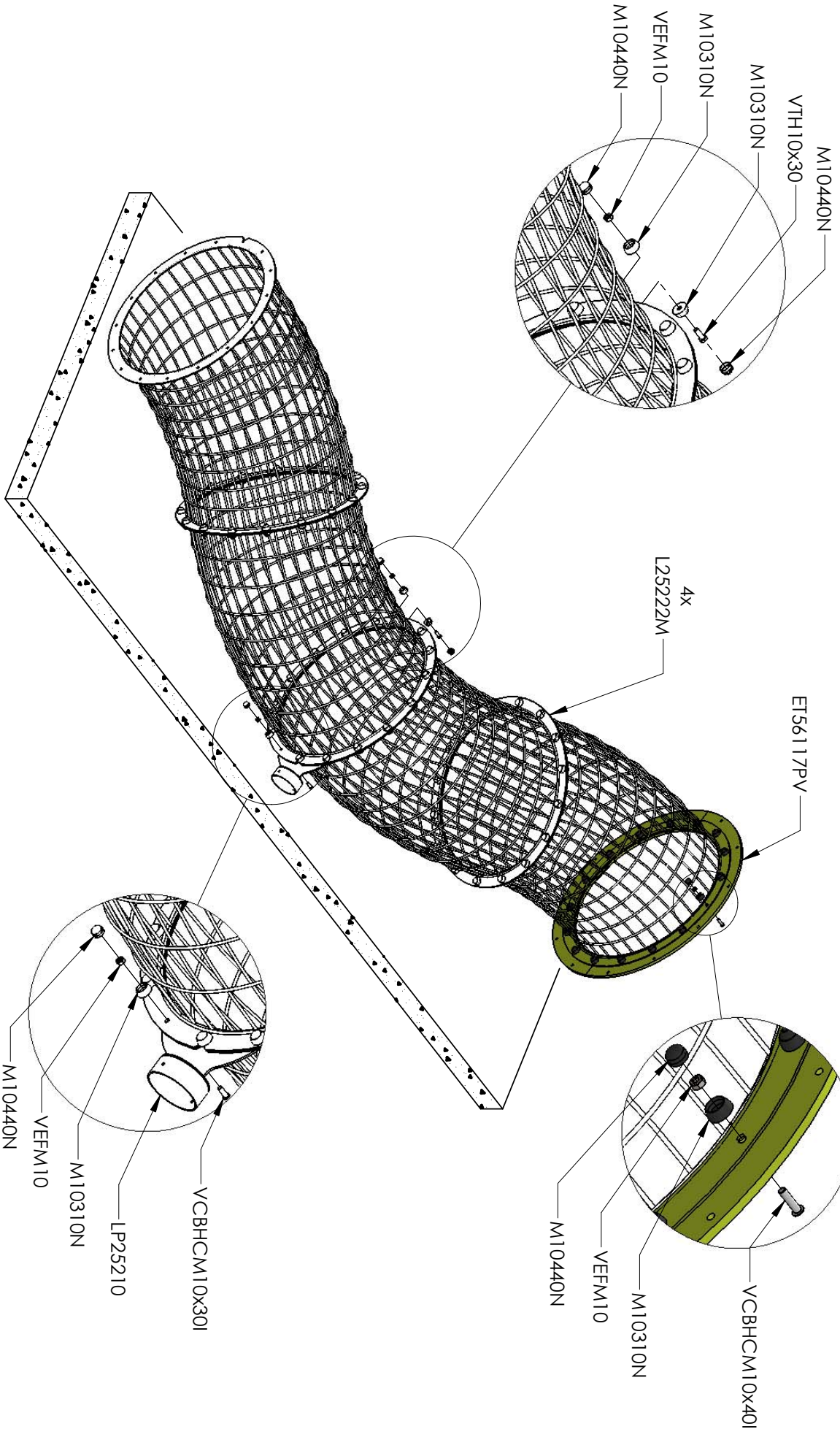
ET56105VX	2
ET56108CH	1
ET56116CH	1
ET56117PV	2
L25222M	4
LG4708	1
LGP5641	1
LP25210	1
M8310N	26
M8440N	26
M10310N	155
M10440N	155
P20	4
P180	2
RD14M10	4
VCBHCMI0X30I	17
VCBHCMI0X40I	44
VEFM10	106
VTH6X30A	26
VTH10X30	45

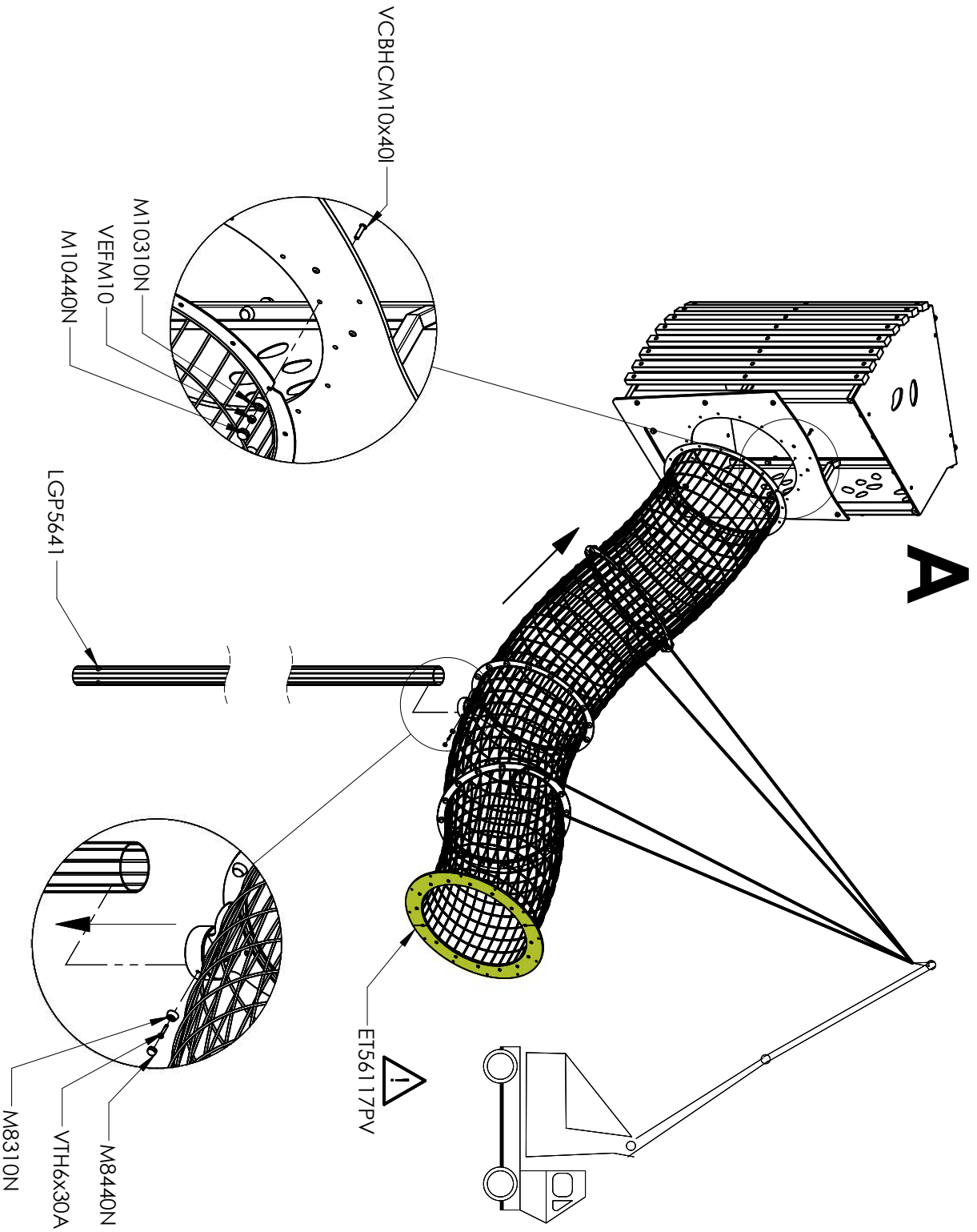
# A



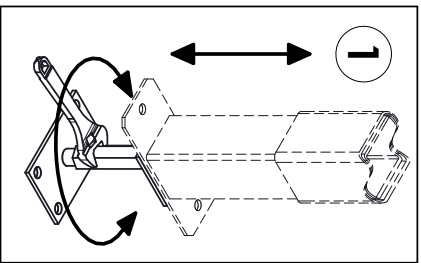
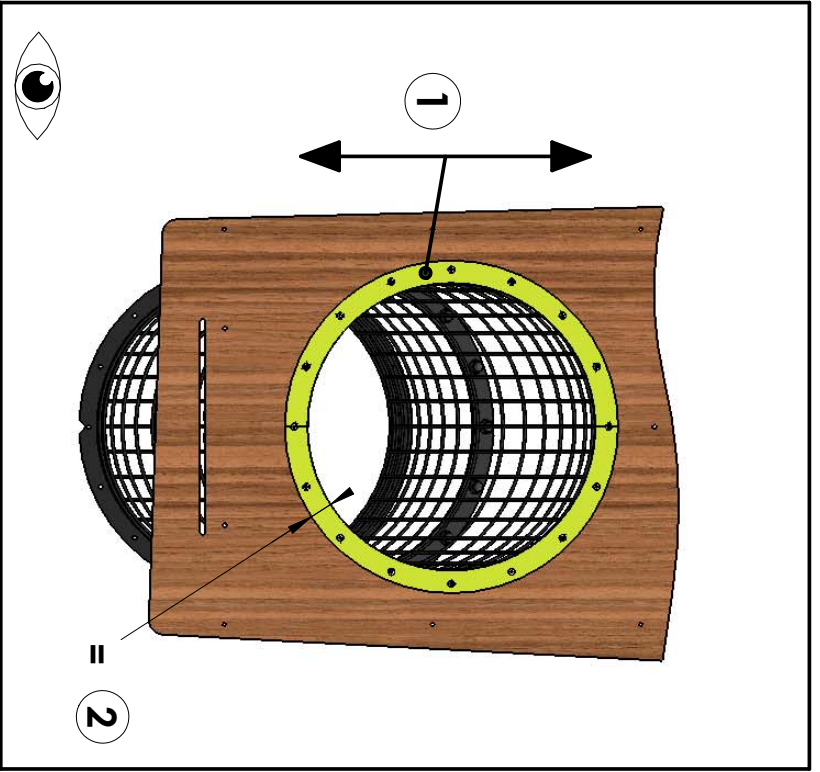
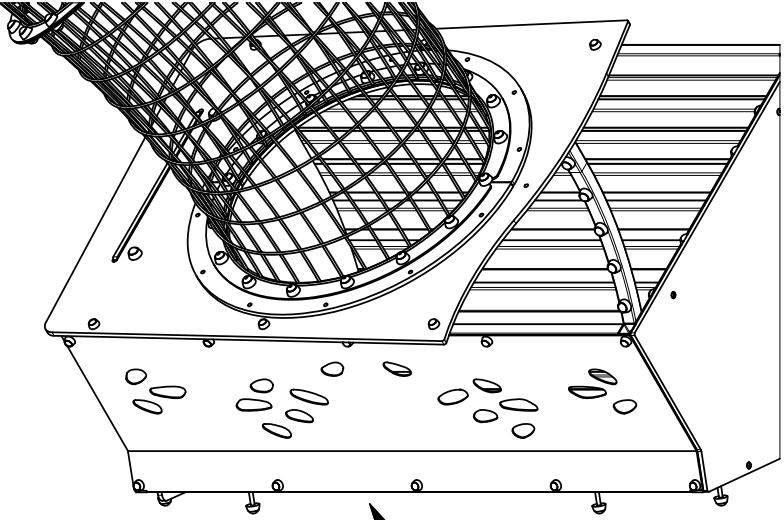
# B



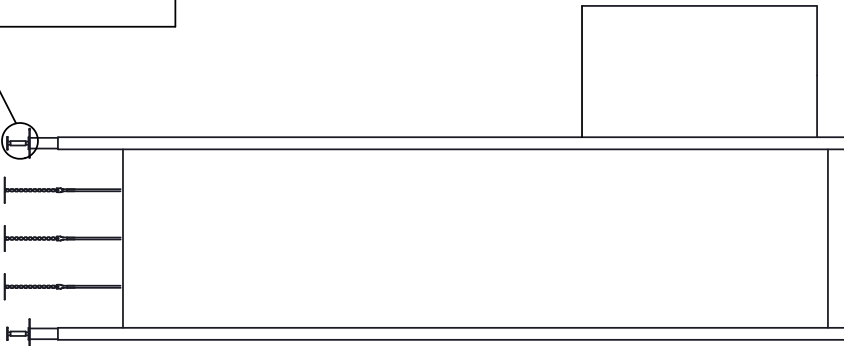




**B**

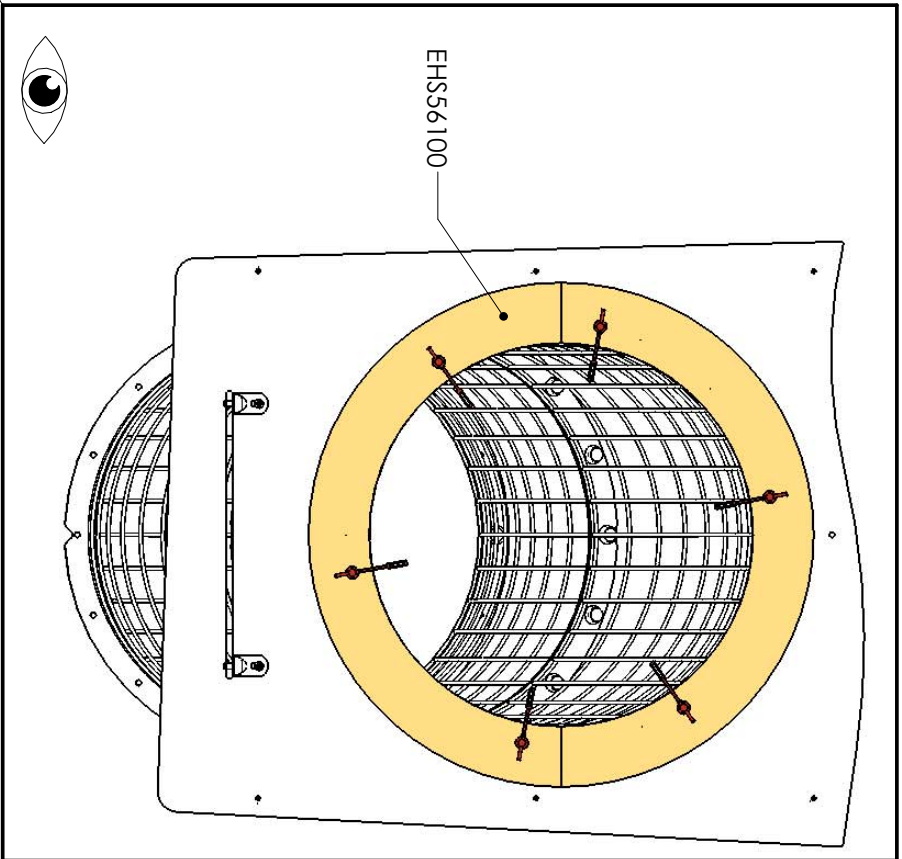
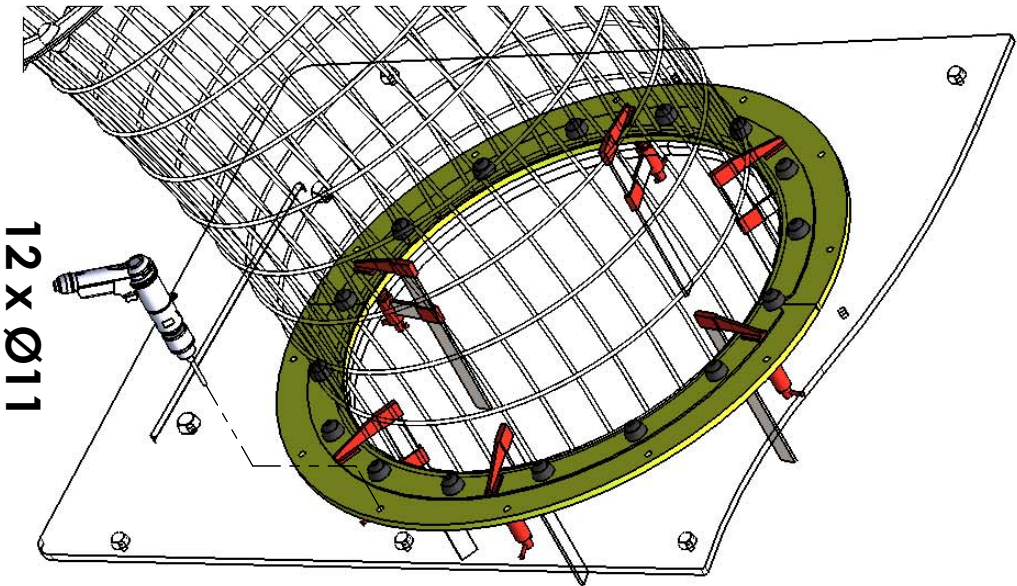


**x4**

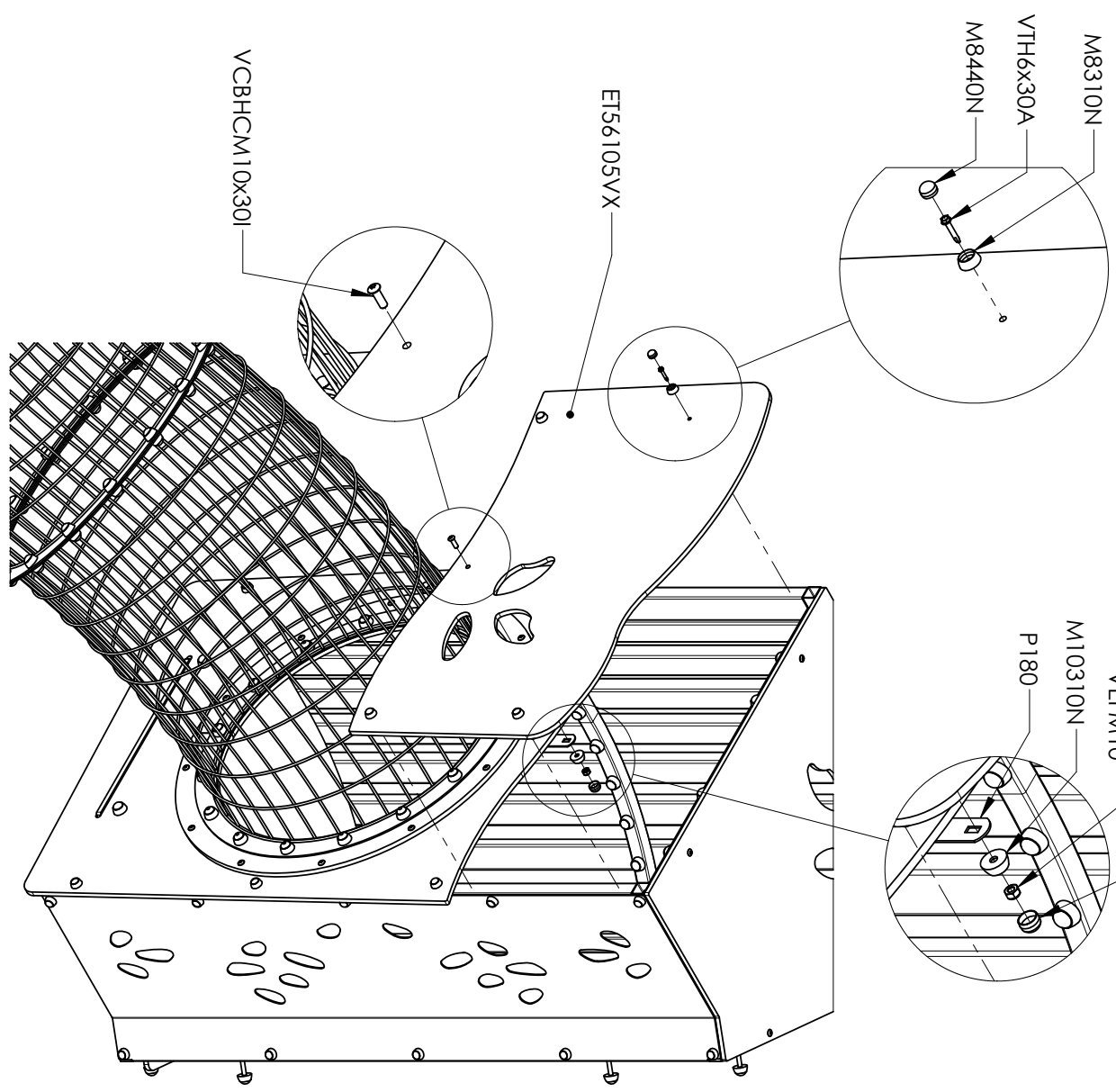
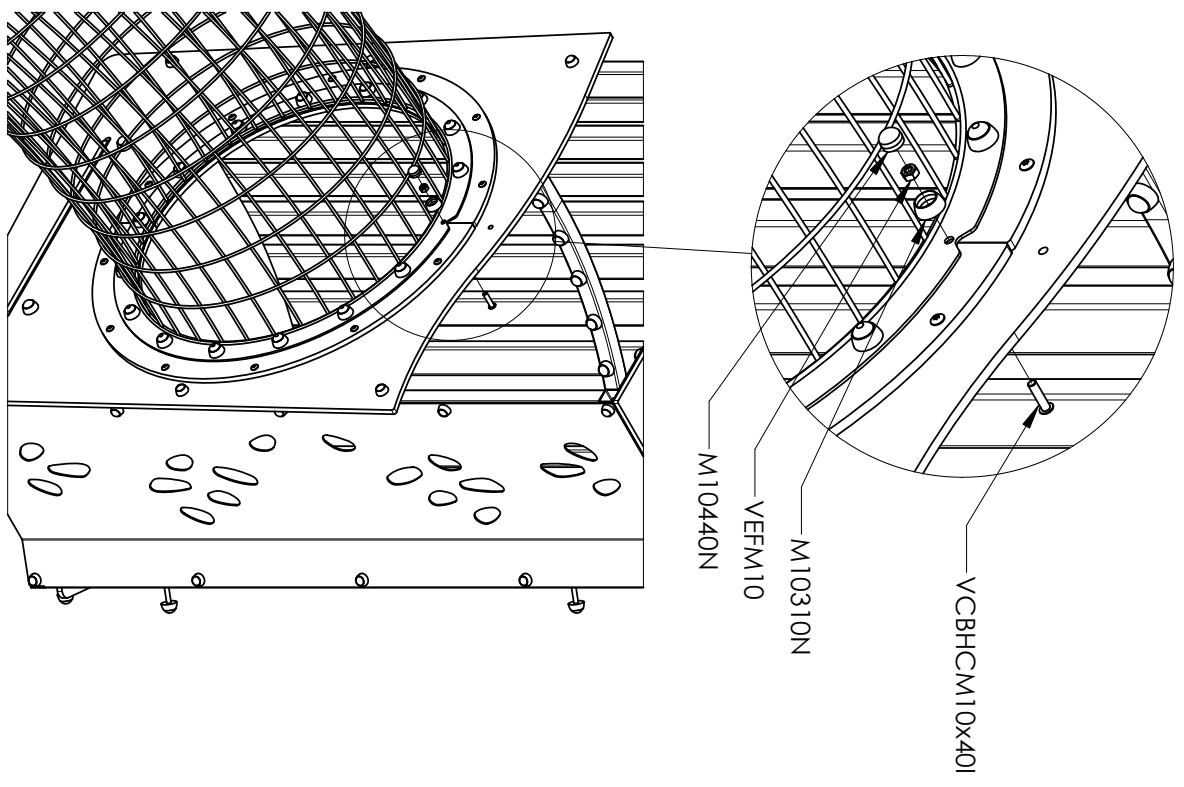


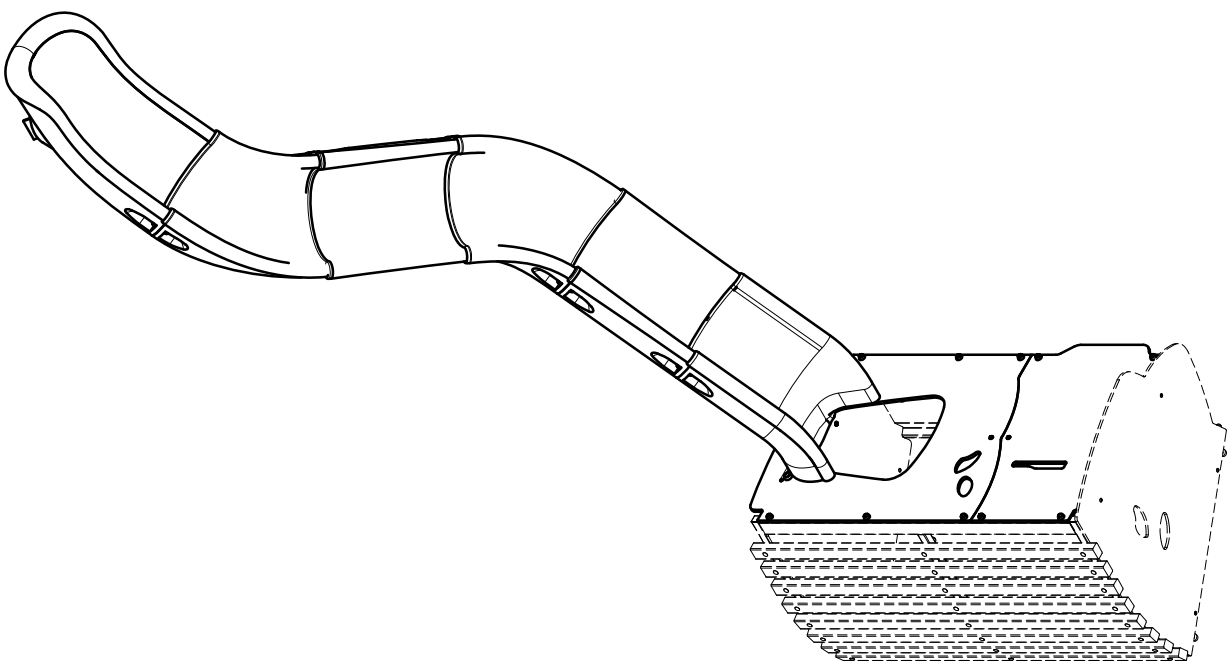


**B**

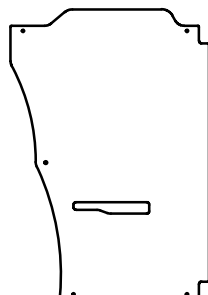


# B

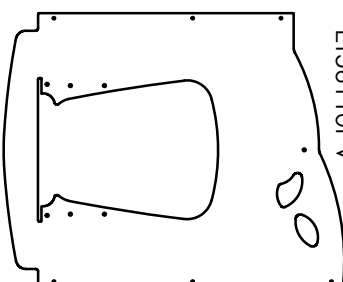




1x  
ET56119CH



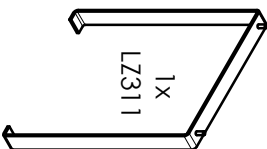
1x  
ET56110PV



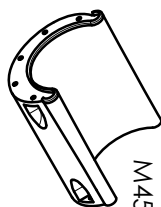
1x  
LG4505



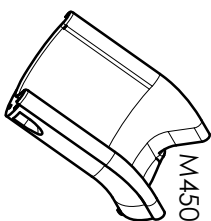
1x  
LZ311



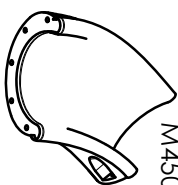
2x  
M4502VX



1x  
M4501VX



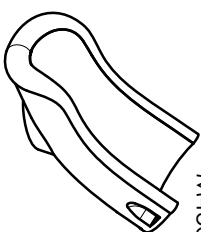
1x  
M4505VX



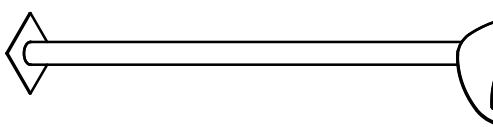
1x  
M4504VX



1x  
M4506



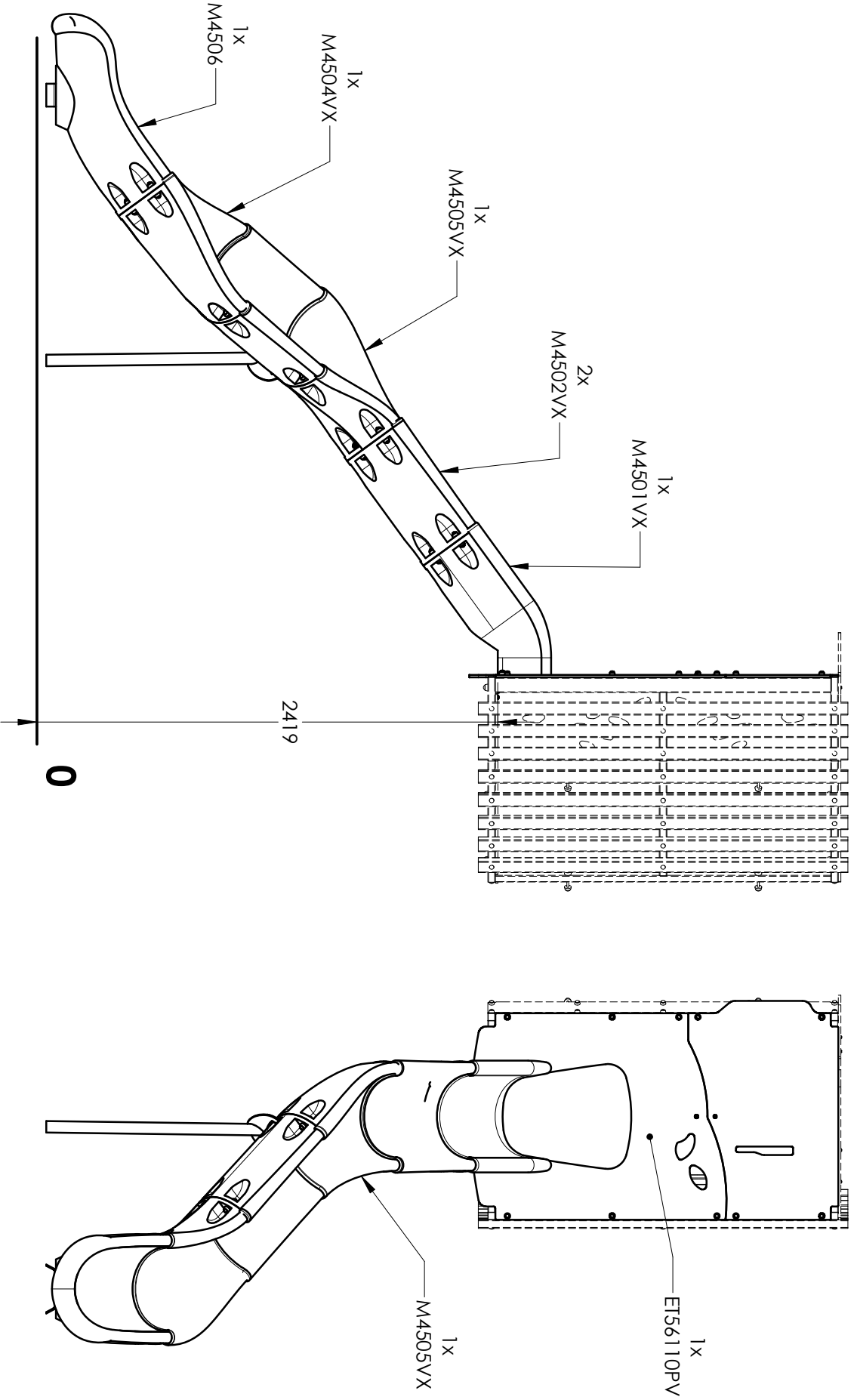
1x  
LG4506

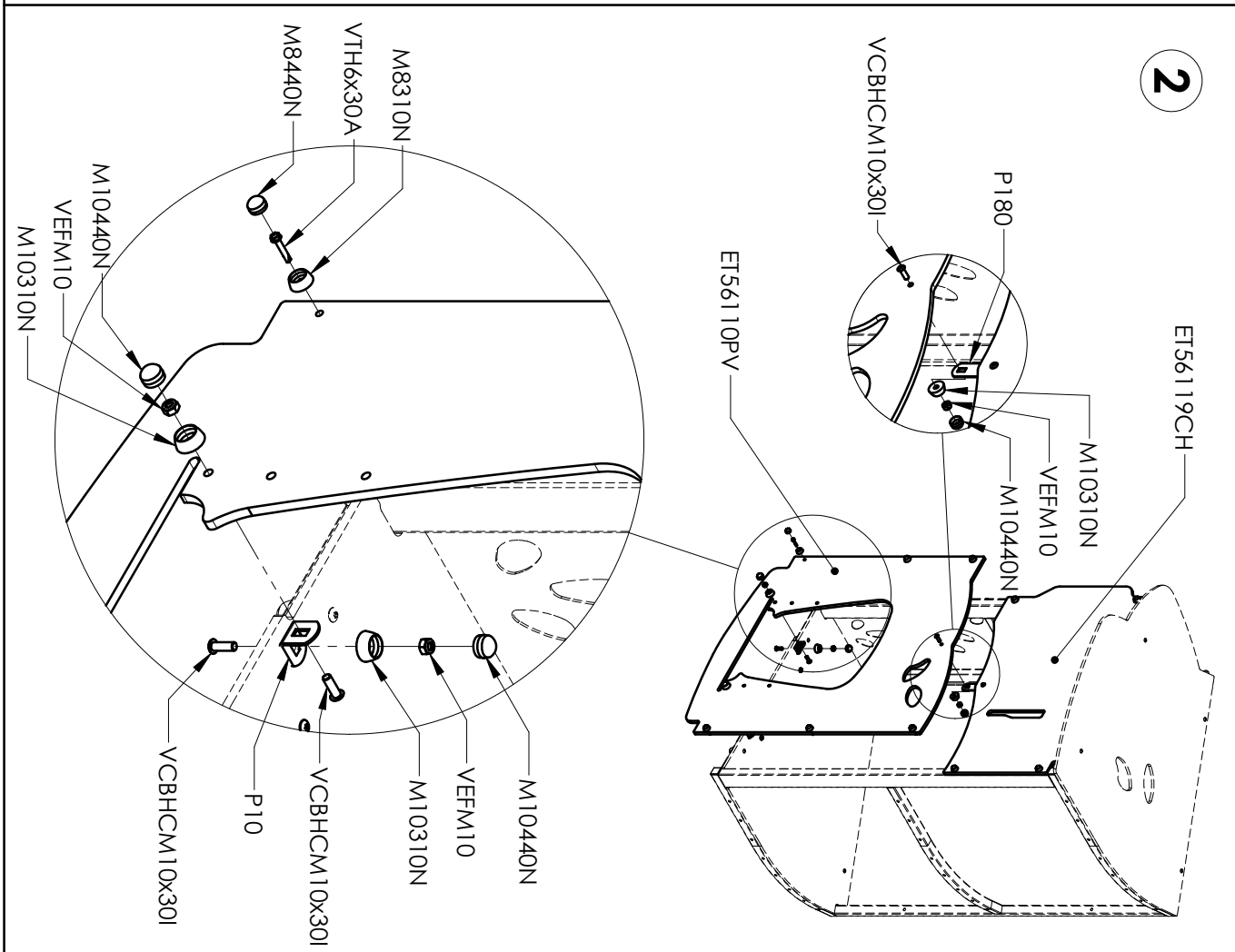
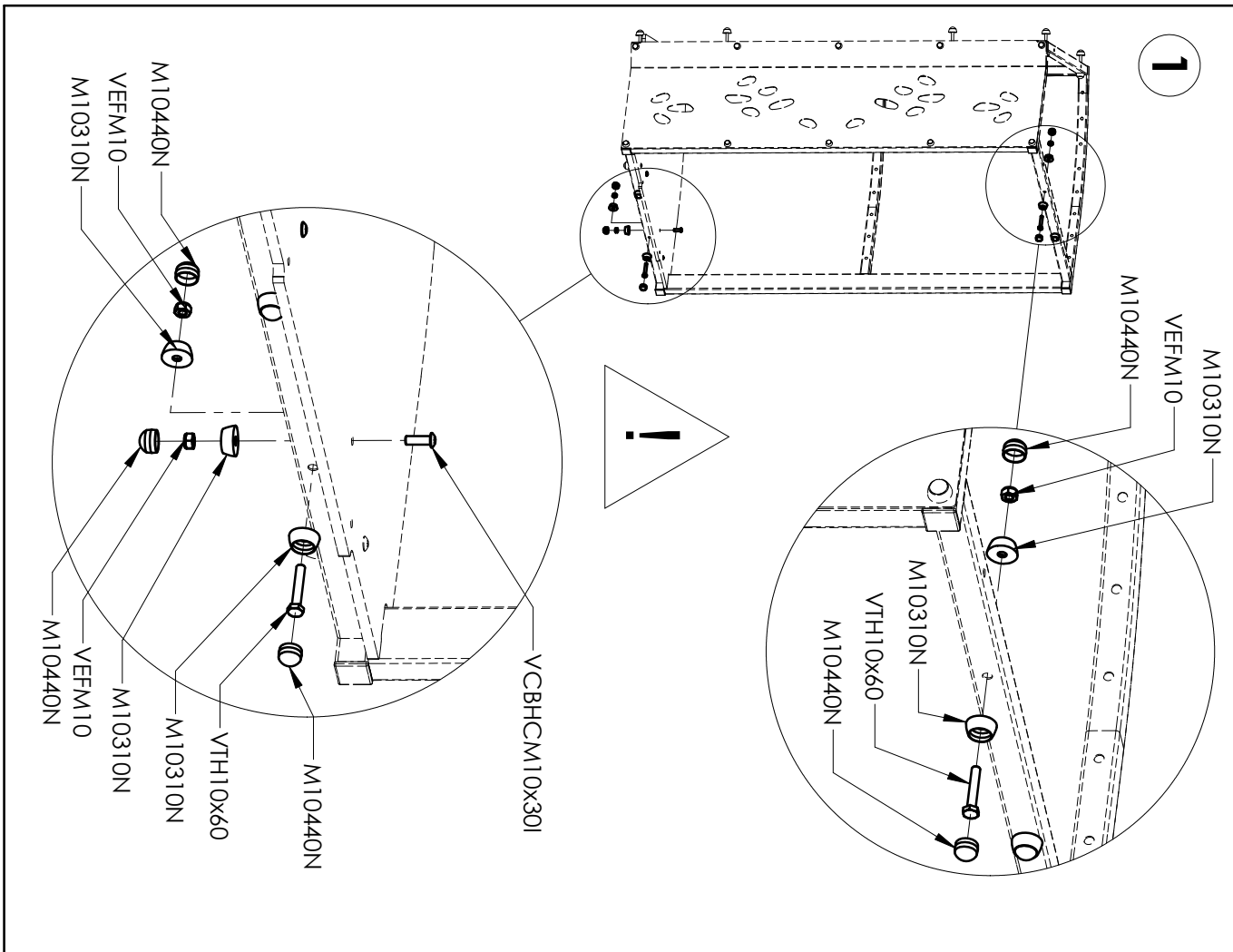


2x  
P10

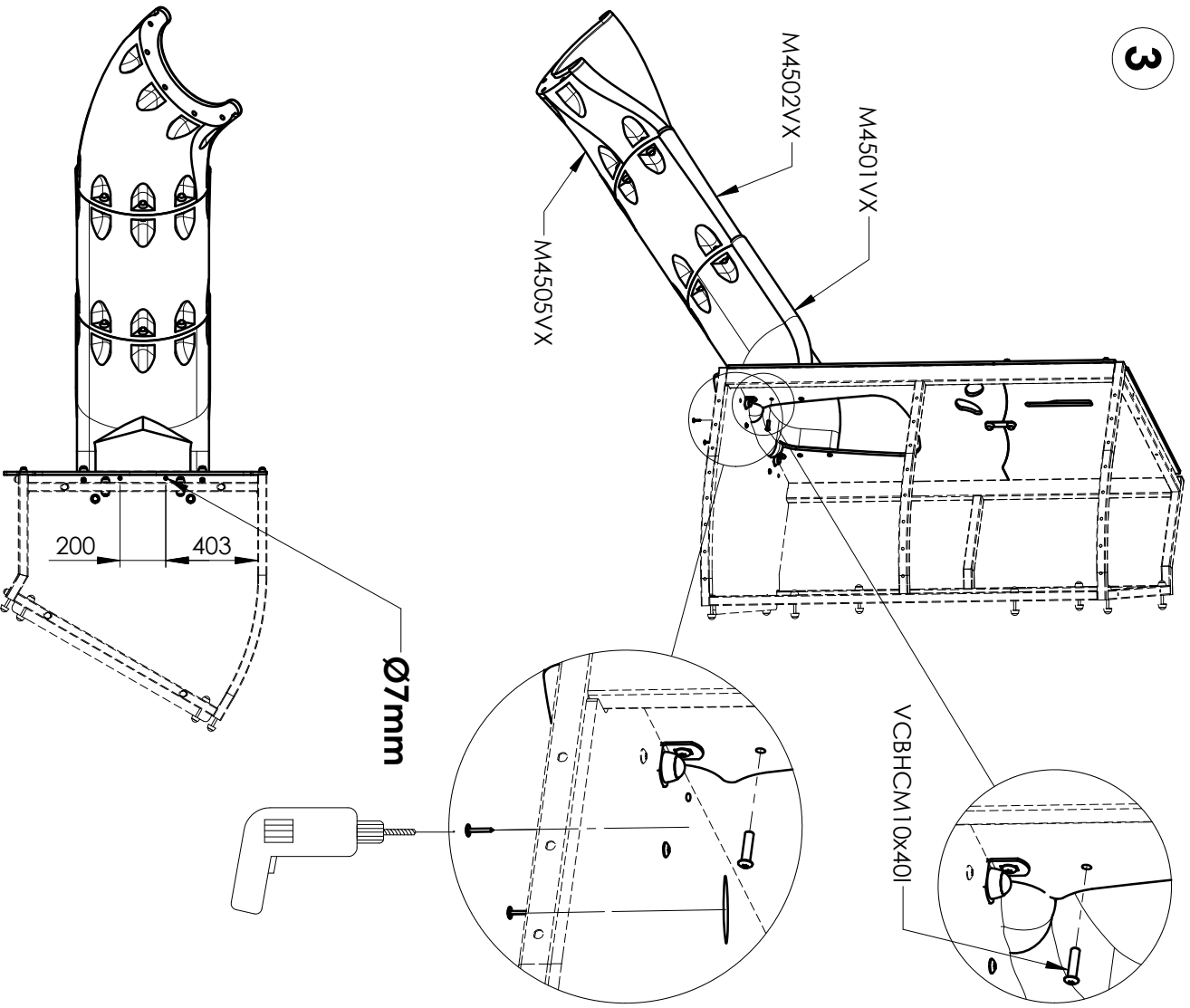


ET56110PV	1
ET56119CH	1
LG4505	1
LG4506	1
LZ311	1
M4501VX	1
M4502VX	2
M4504VX	1
M4505VX	1
M4506	1
M8310N	10
M8440N	10
M10310N	68
M10440N	68
P10	2
P180	1
VB16x30	2
VB16x50	5
VCBHC110x30I	8
VCBHC110x40I	4
VEFM10	39
VTH6x30A	10
VTH10x60	4
VTH10x70	25

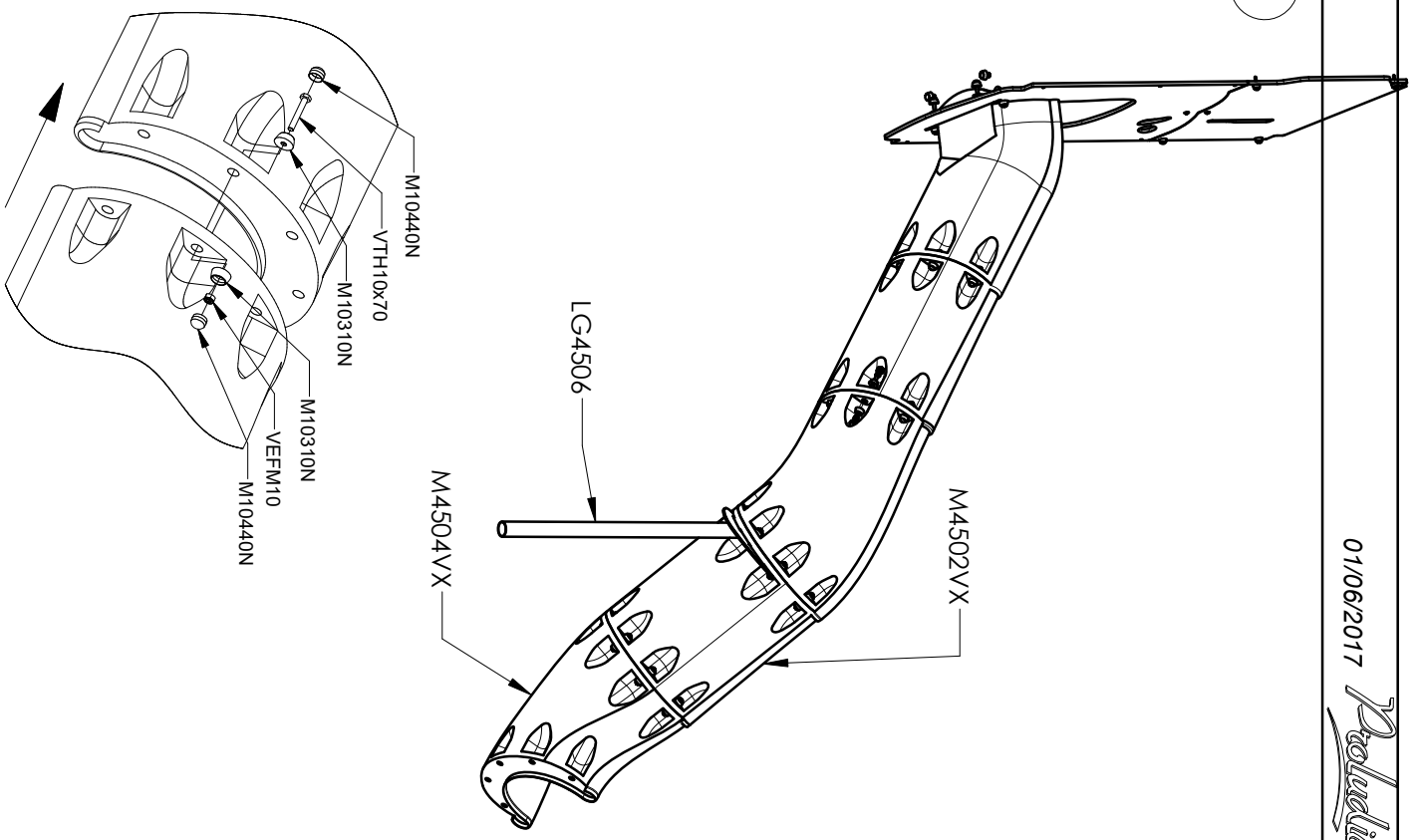




3



4



5

