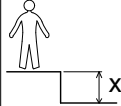
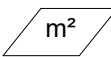




N°		
1	<0.6 m	32 m ²
2	1 m	27 m ²
3	1.37 m	6.5 m ²
4	1.77 m	16 m ²
5	2.16 m	12 m ²

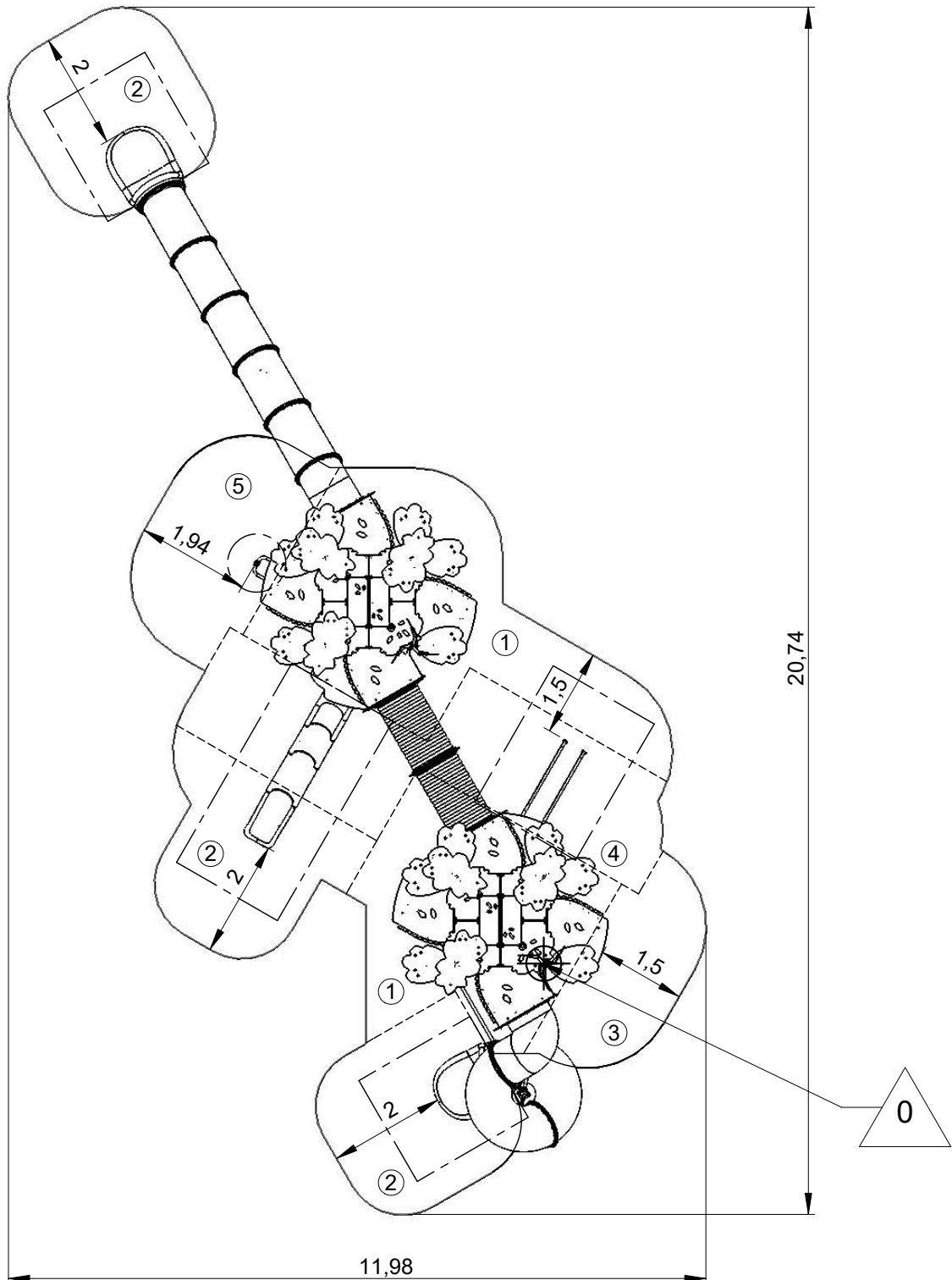
— Zone d'impact
Impact area
Area de impacto
Fallraum
Valzone

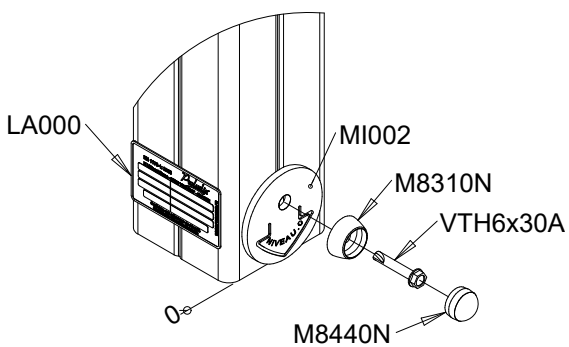
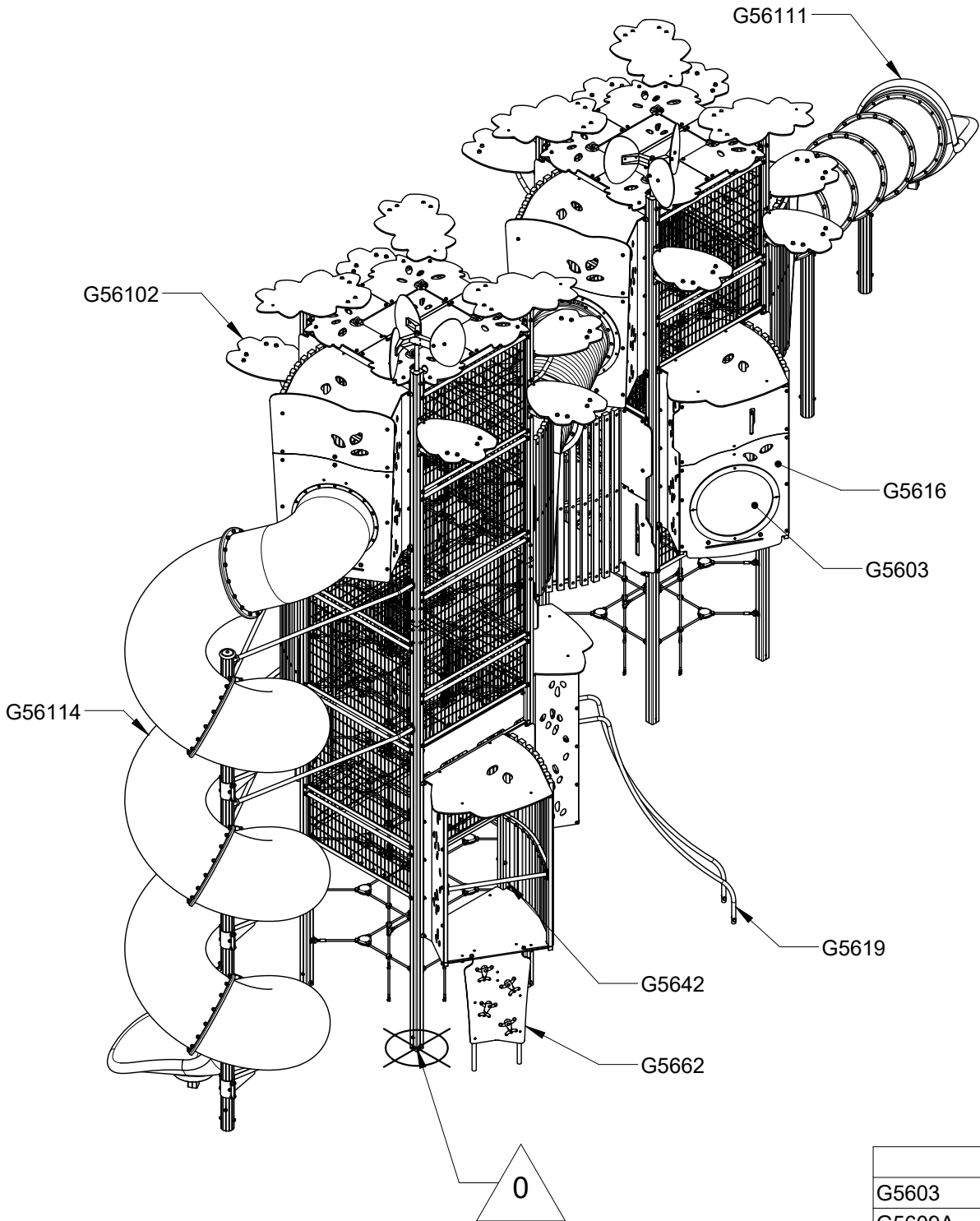
- - - Espace libre
Free space
Espacio libre
Freiraum
Vrije ruimte



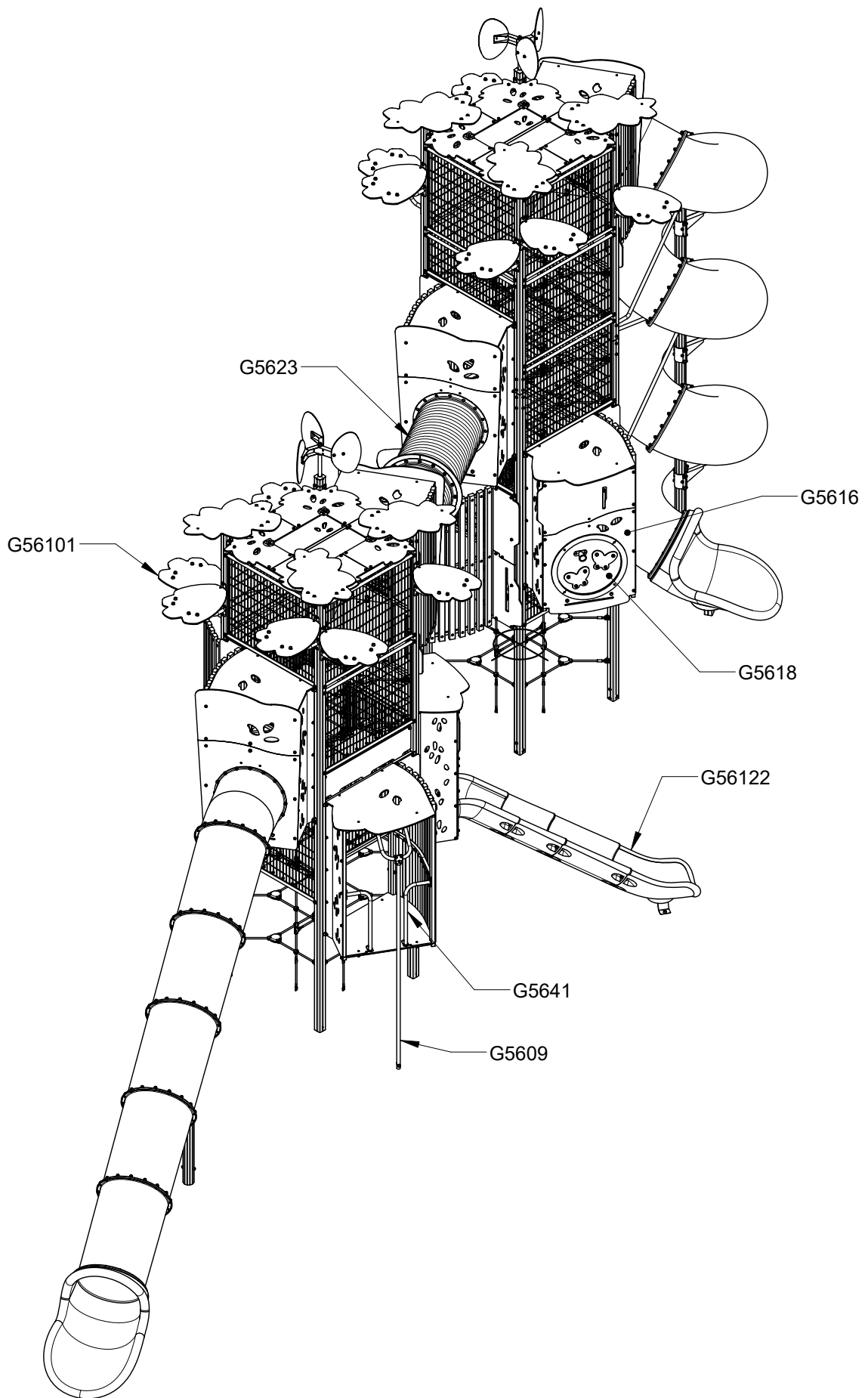
Point de référence
Setting out point
Punto de referencia
Bezugspunkt
Referentiepunt

EN1176-1:2017
EN1176-3:2017



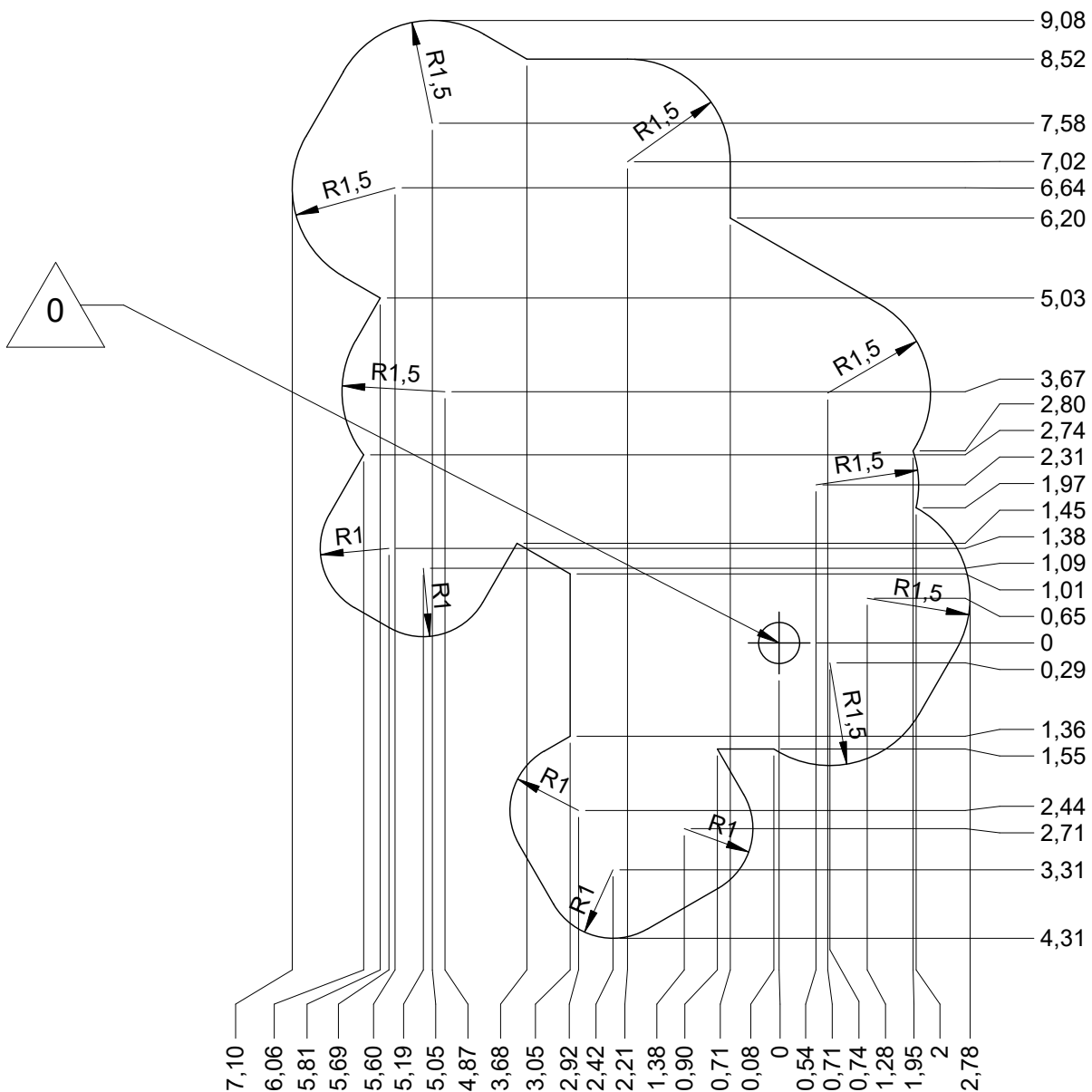
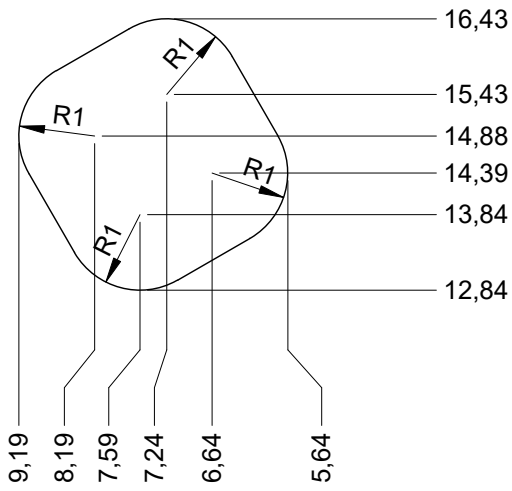


G5603	1
G5609A	1
G5616	2
G5618	1
G5619A	1
G5623	1
G5641	1
G5642	1
G5662A	1
G56101A	1
G56102A	1
G56111A	1
G56114A	1
G56122A	1



— Zone d'impact
 Impact area
 Area de impacto
 Fallraum
 Valzone

93.5 m²

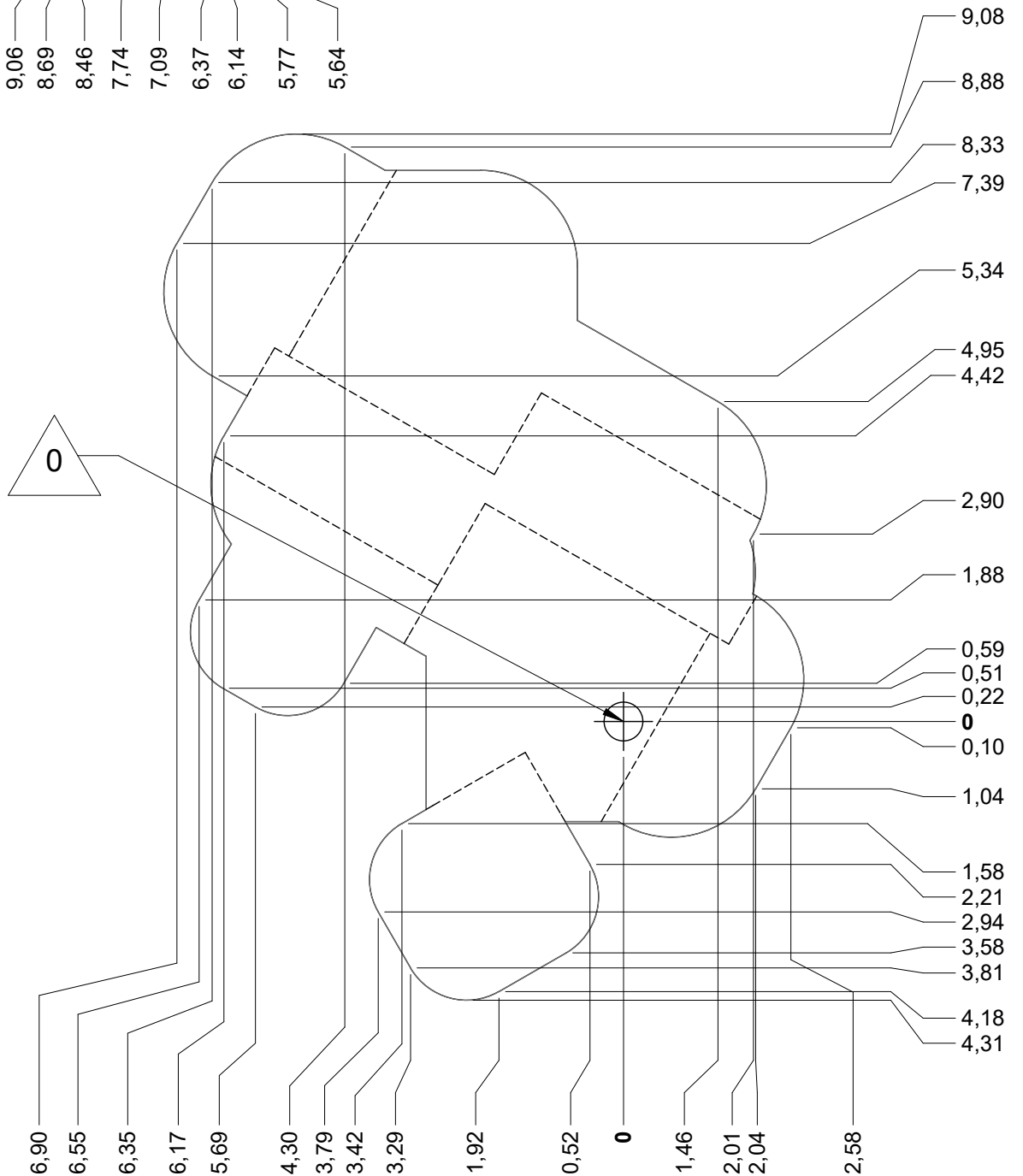


16,43
16,30
15,93
15,75
14,89
14,38
13,53
13,34
12,98
12,84

9,19
9,06
8,69
8,46
7,74
7,09
6,37
6,14
5,77
5,64

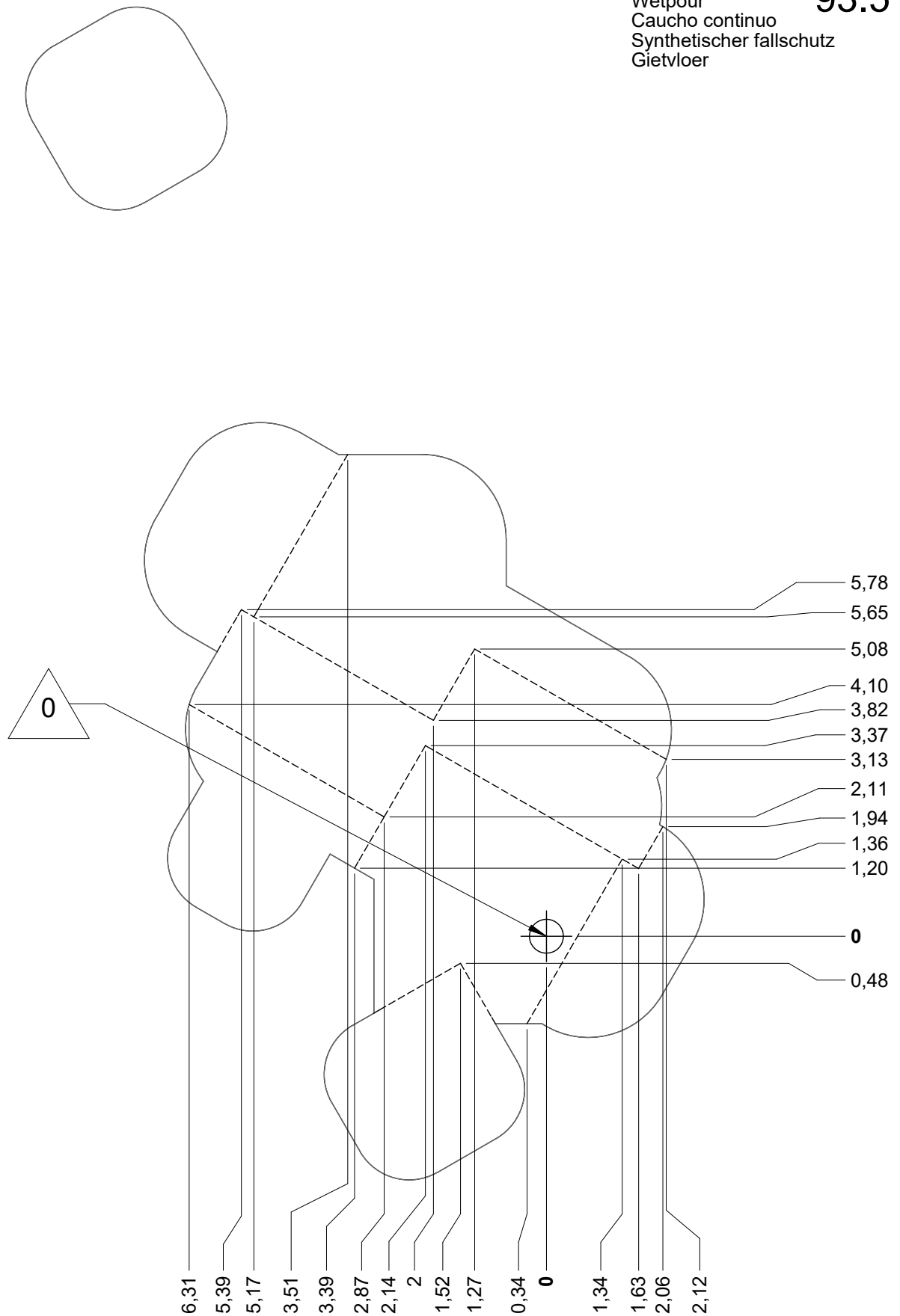
— Sol souple
Wetpour
Caucho continuo
Synthetischer fallschutz
Gietvloer

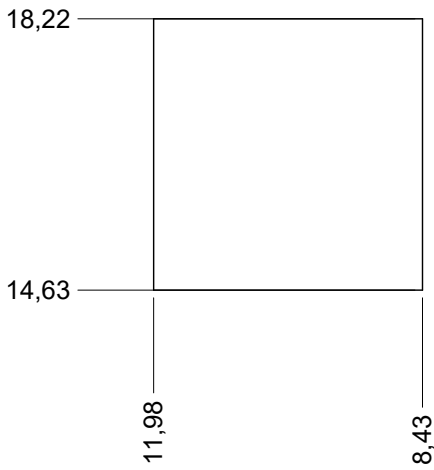
93.5 m²



— Sol souple
 — Wetpour
 — Caucho continuo
 — Synthetischer fallschutz
 — Gietvloer

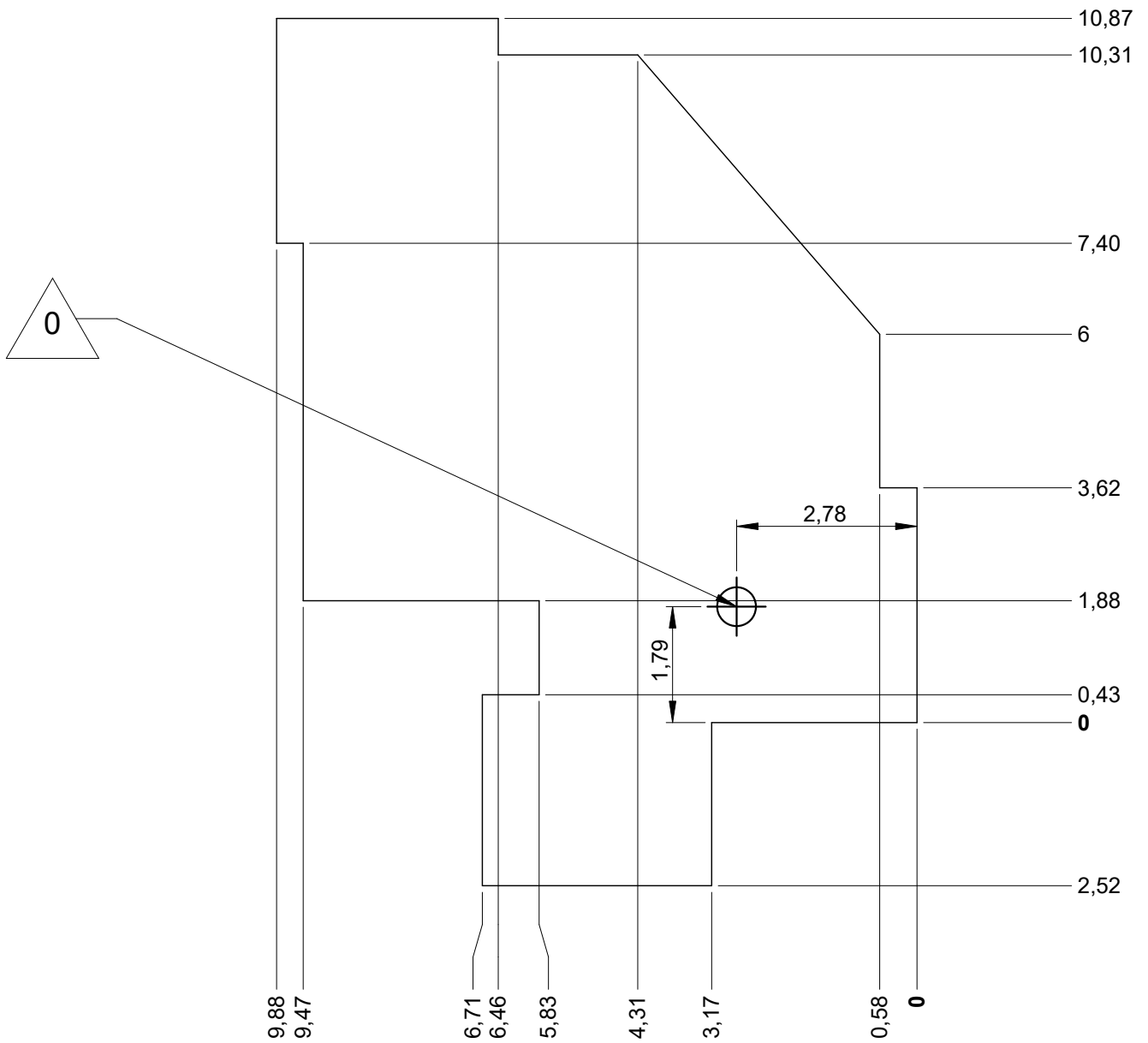
93.5 m²





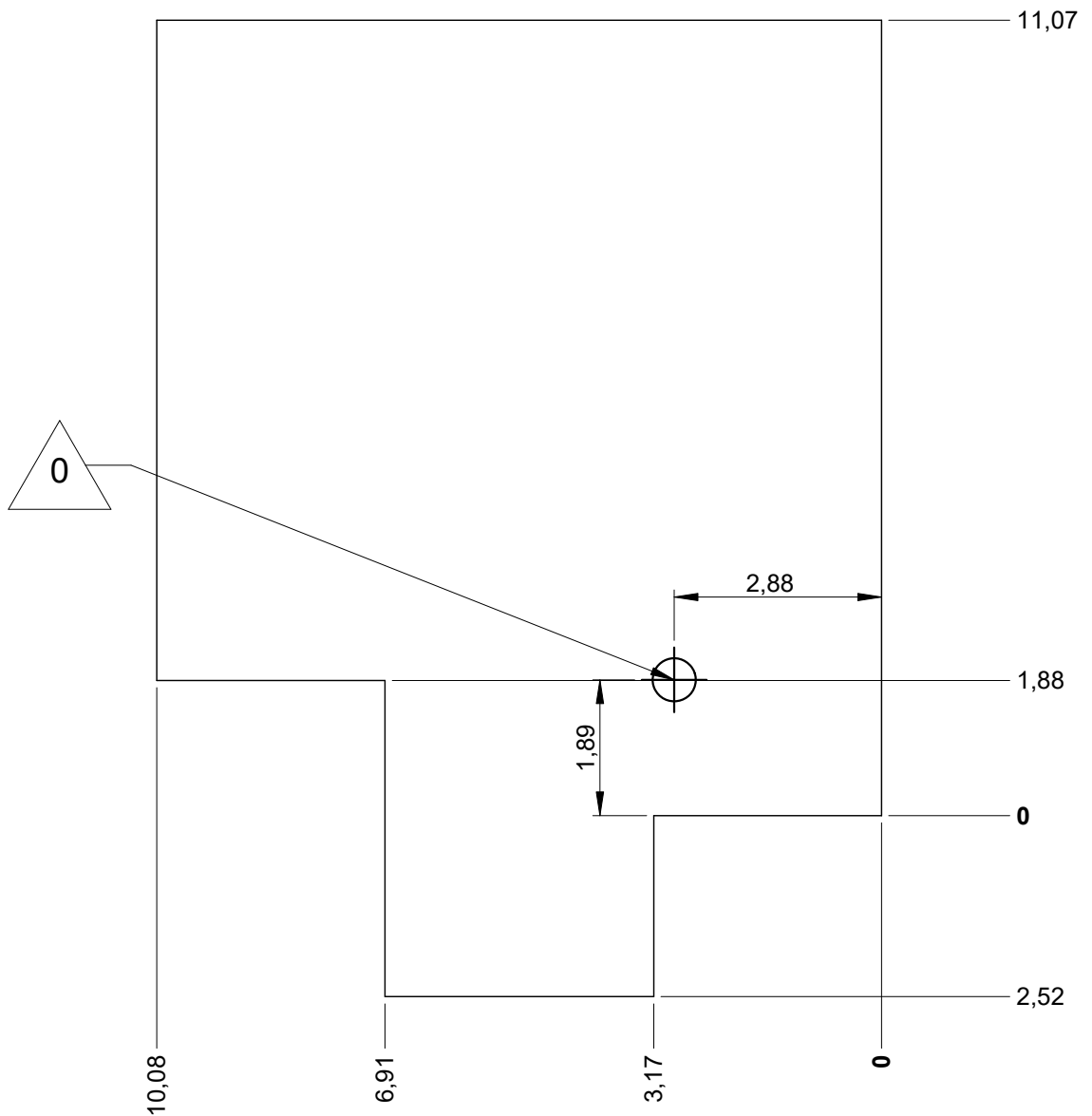
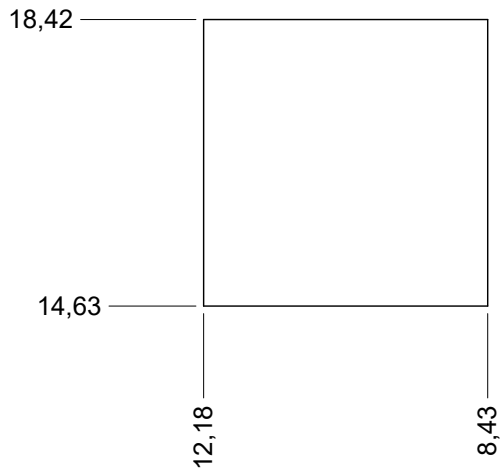
— Dalle béton
 Concrete pad
 Solera de hormigon
 Beton bodenplatte
 Betonnen bodemplaat

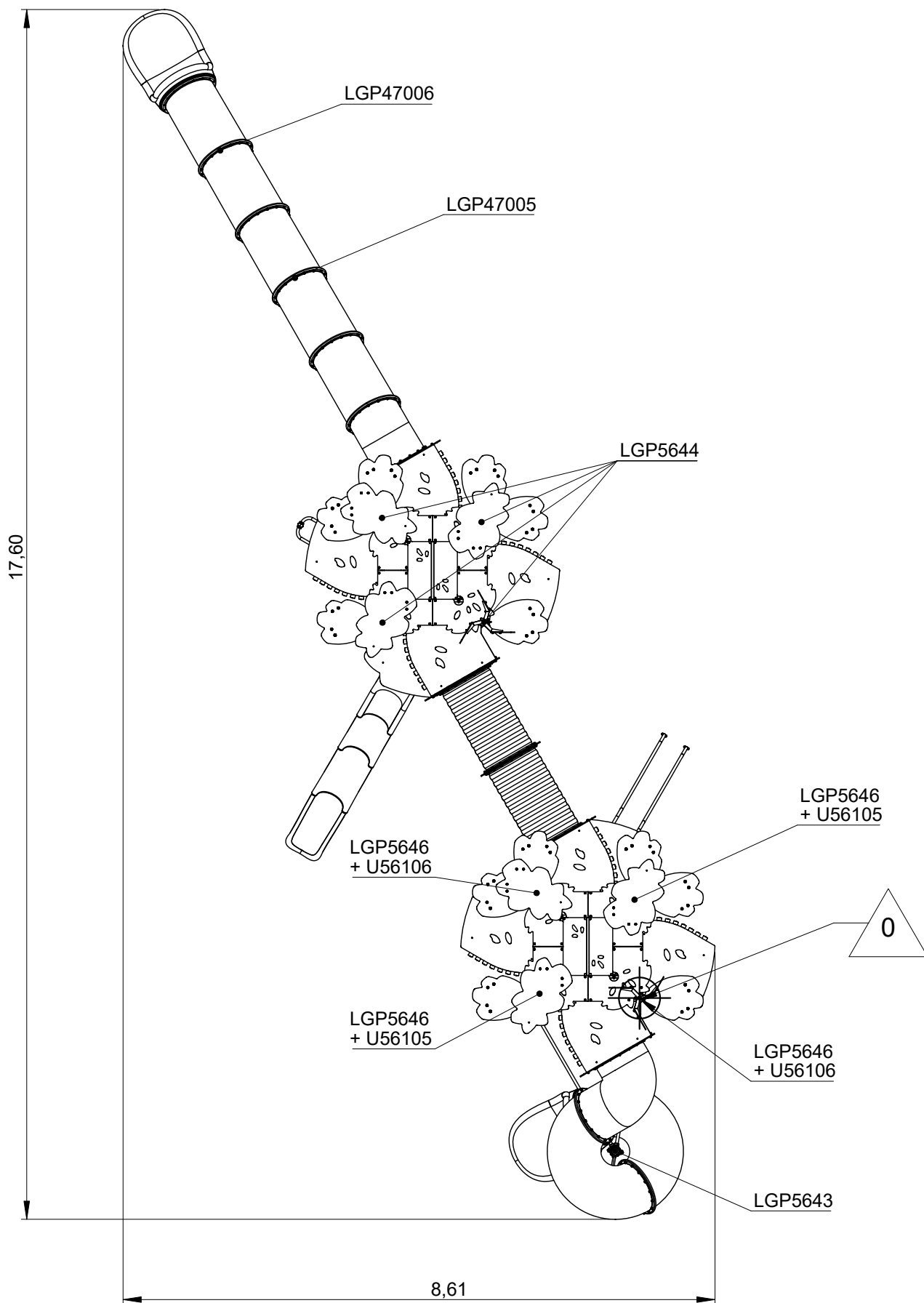
61 m
105 m²

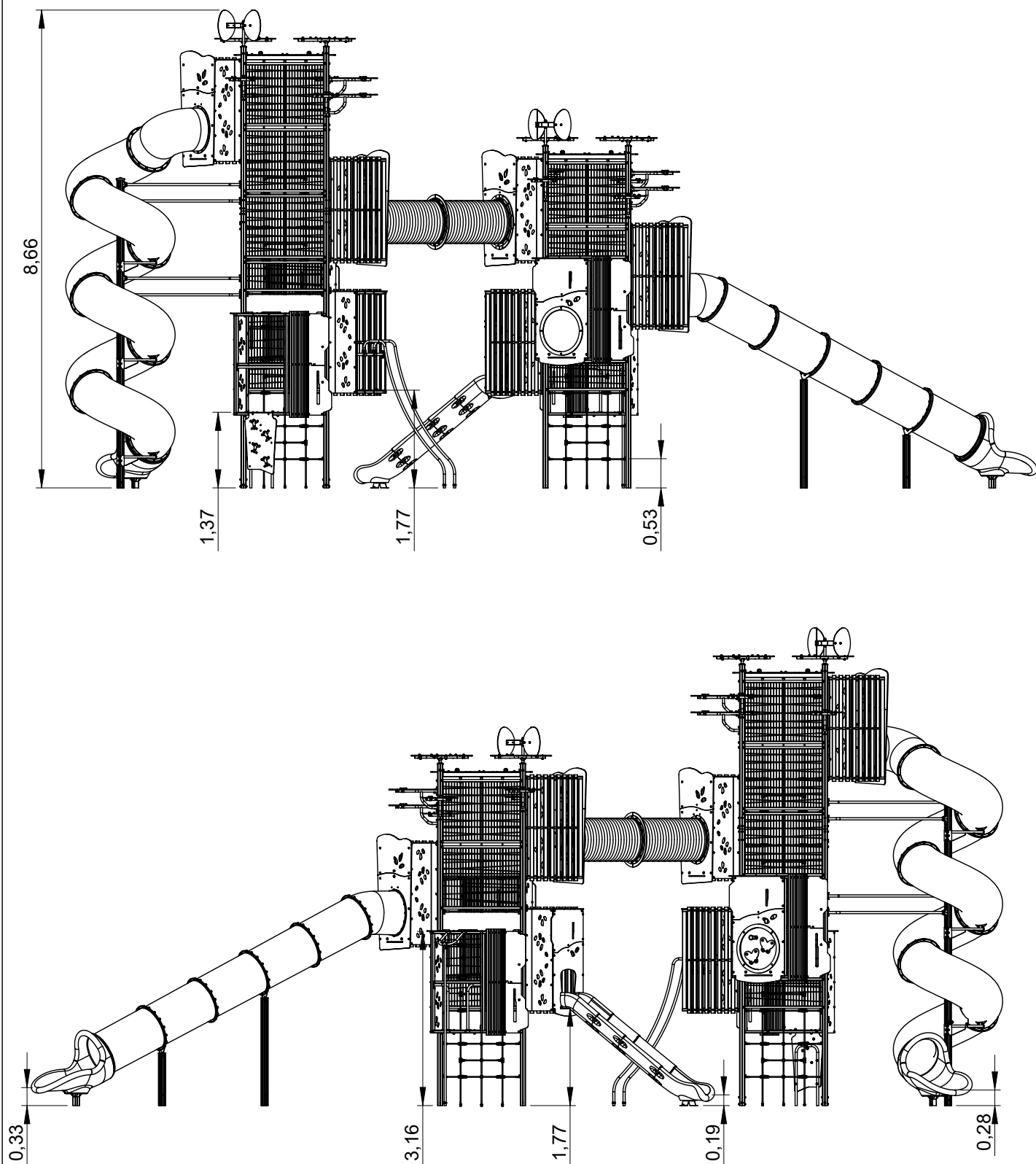


— Sol fluent
 — Loos partucule material
 — Arenero
 — Loses Bodenmaterial
 — Los bodemmaterial

64 m
130 m²



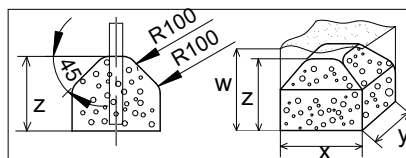
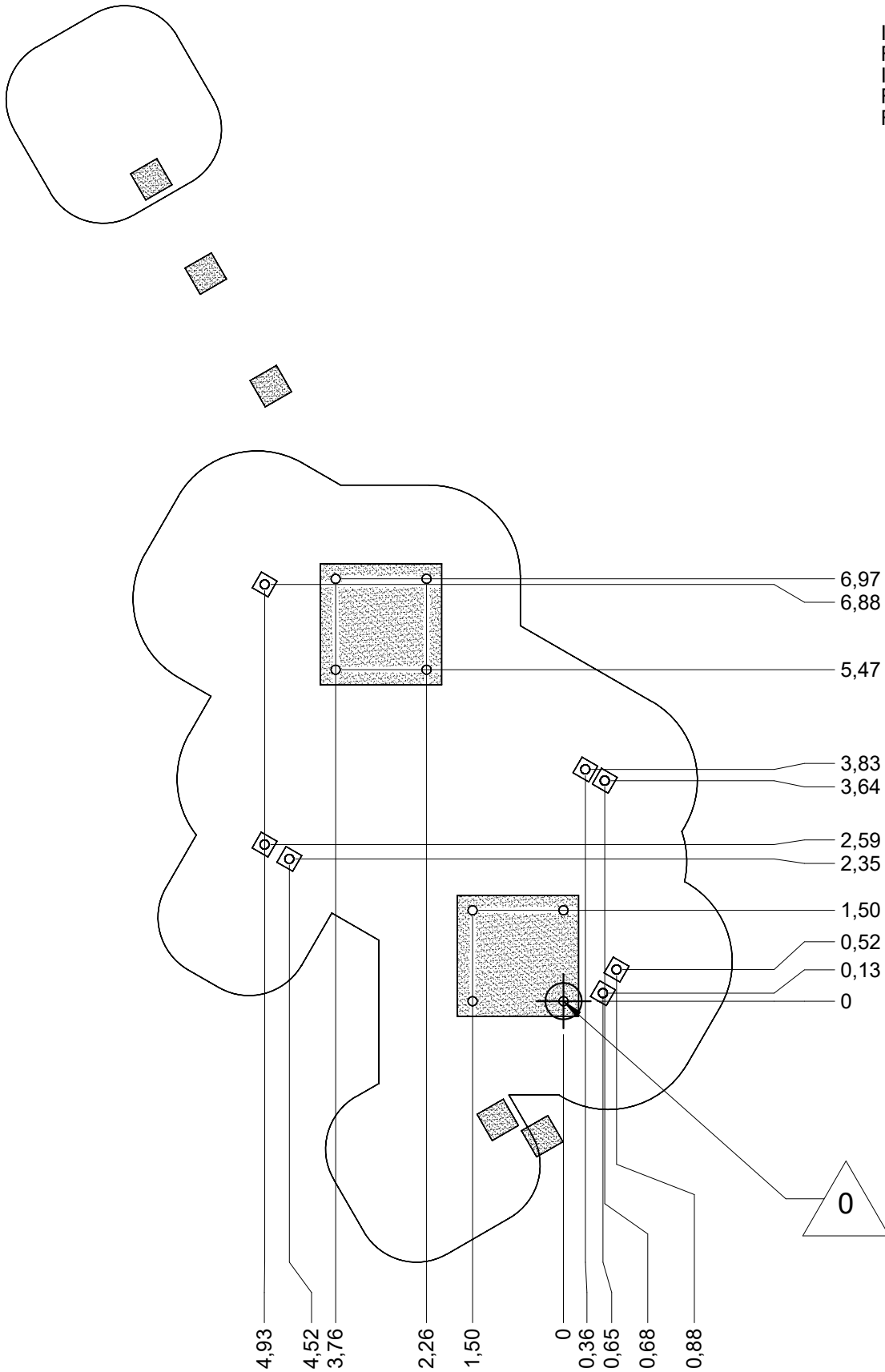




J56101A

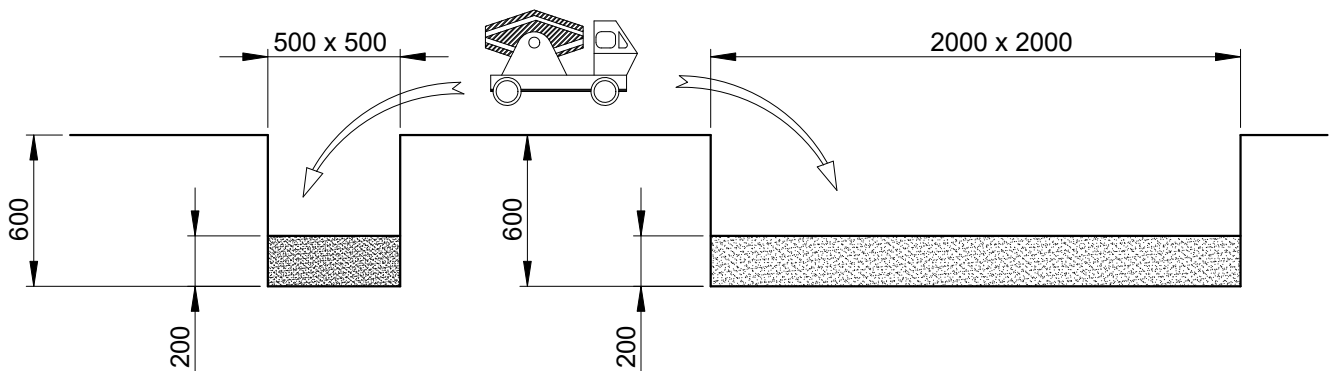
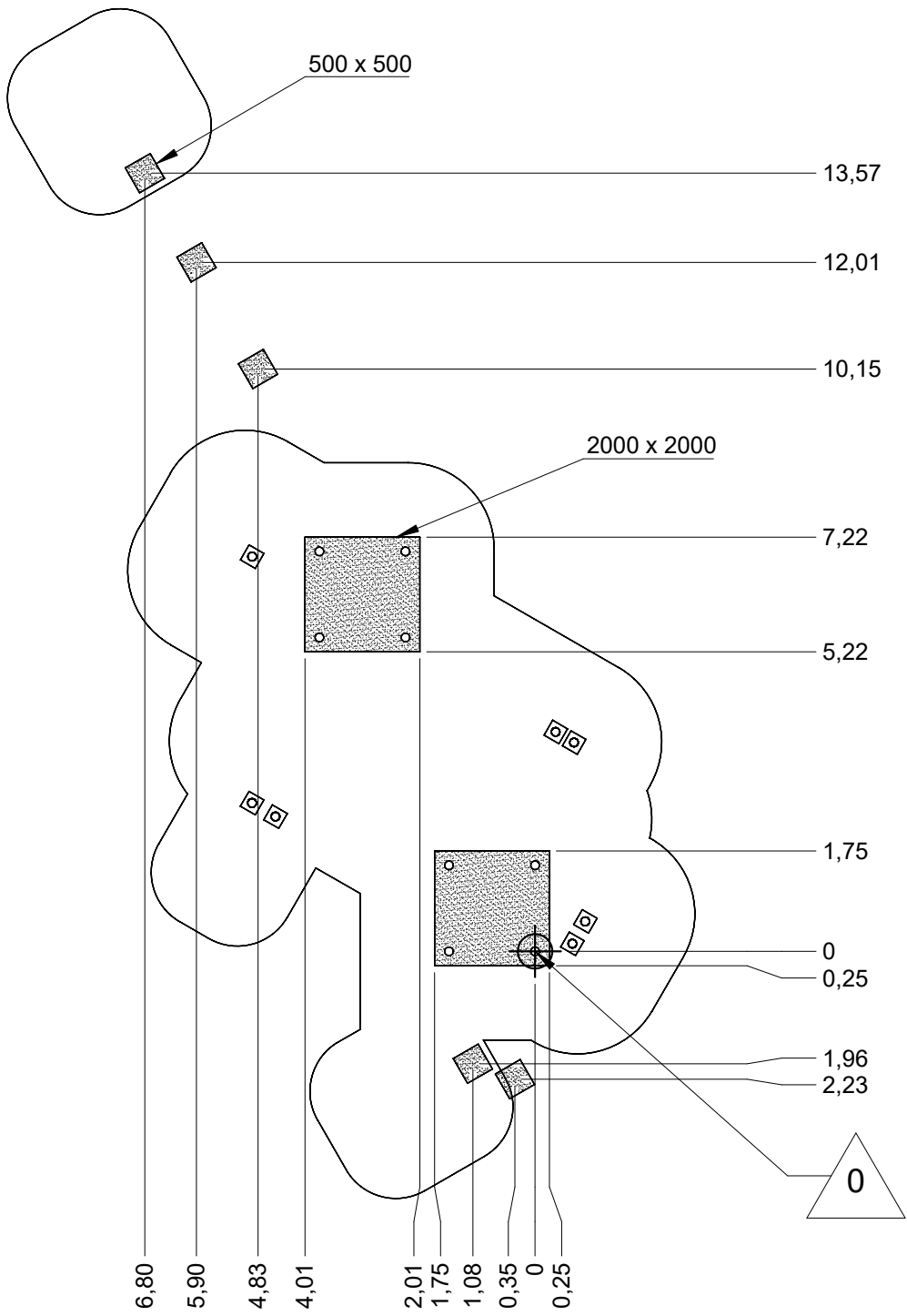
Proludic

Implantation
 Footing plan
 Implantación
 Fundamentplan
 Funderingstekening

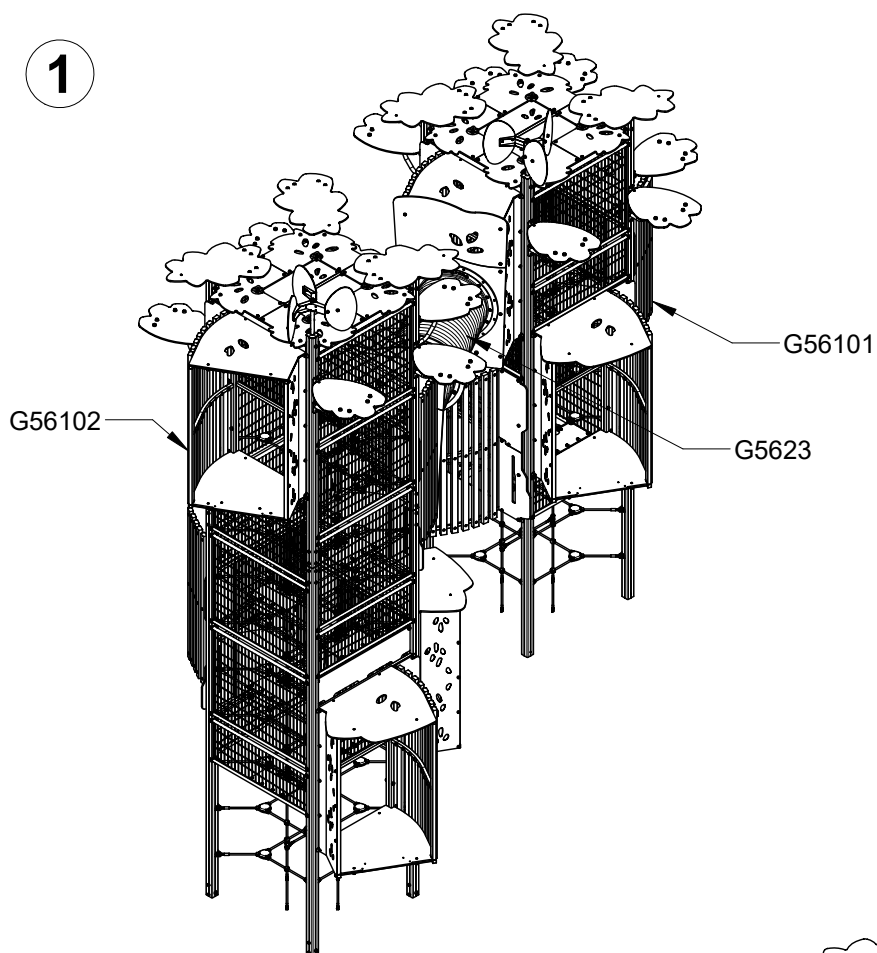


	x	y	z	w
	0.3	0.3	0.3	0.6
	0.4	0.4	0.3	0.6
	0.6	0.3	0.3	0.6

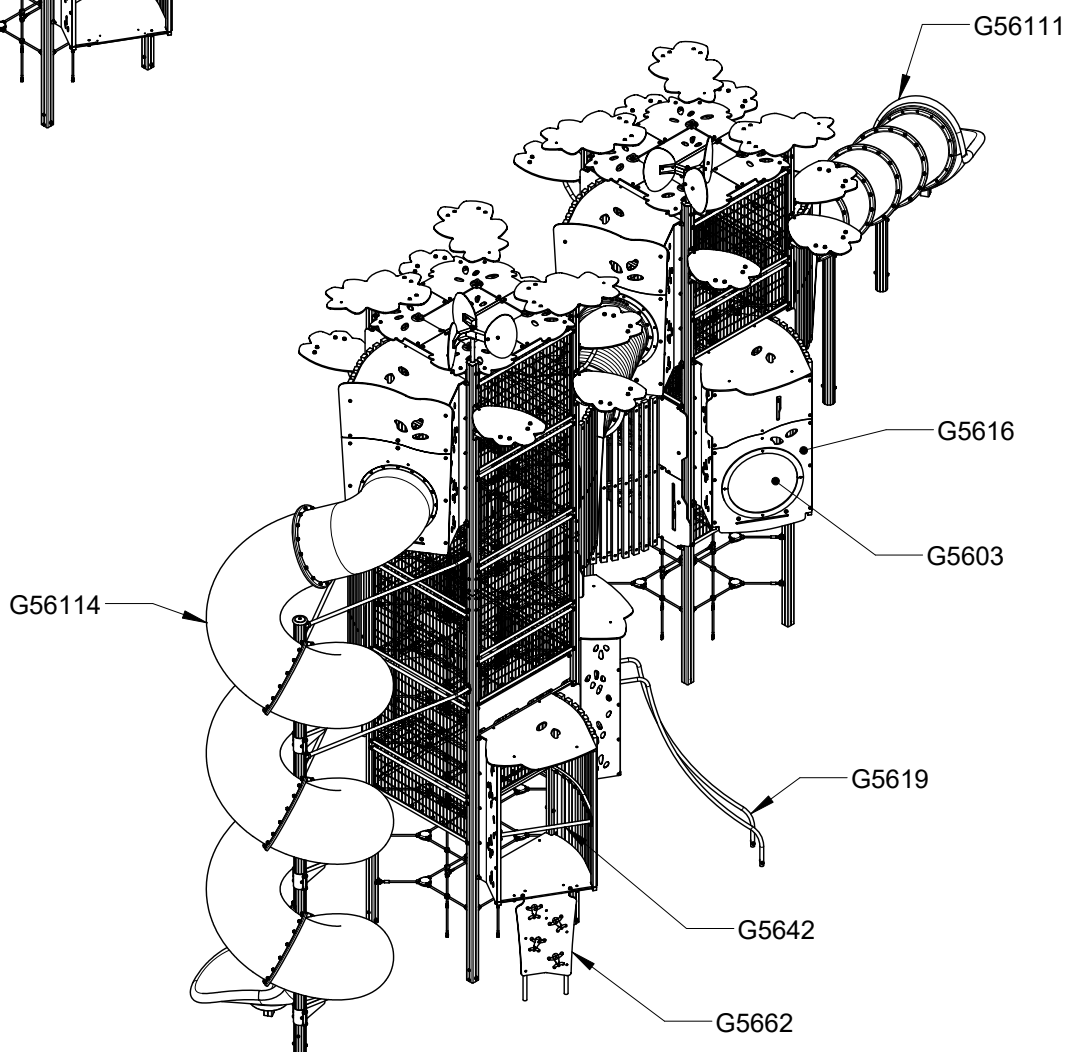
Implantation
 Footing plan
 Implantación
 Fundamentplan
 Funderingstekening



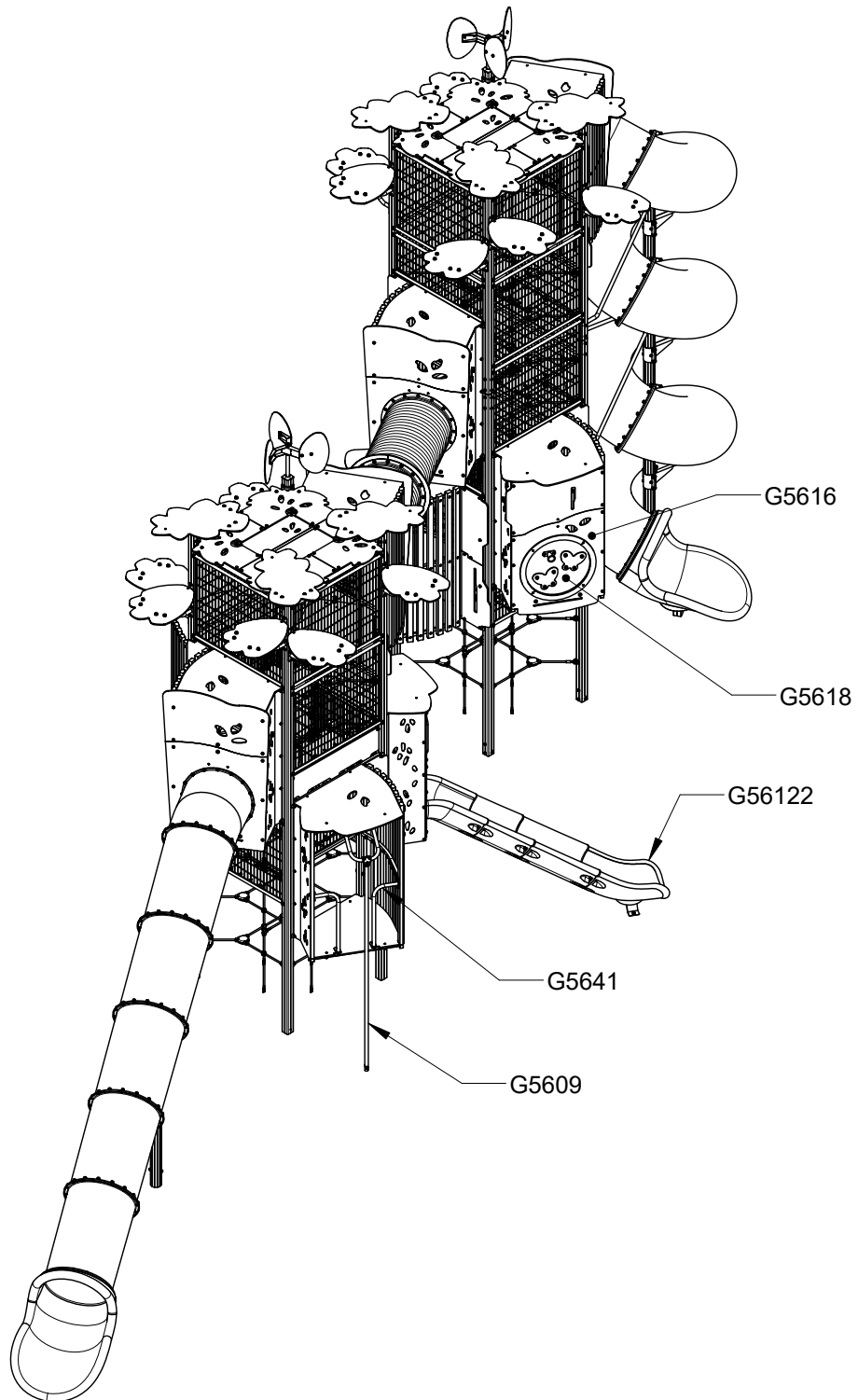
1

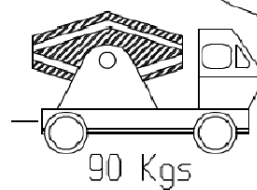
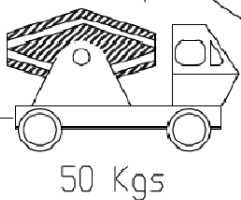
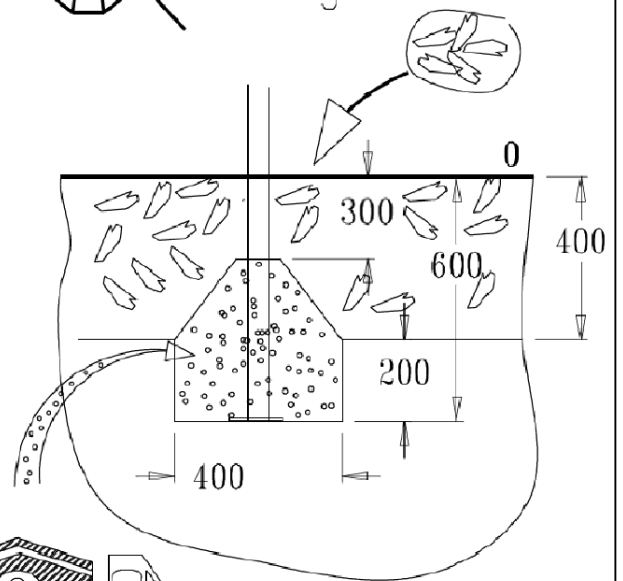
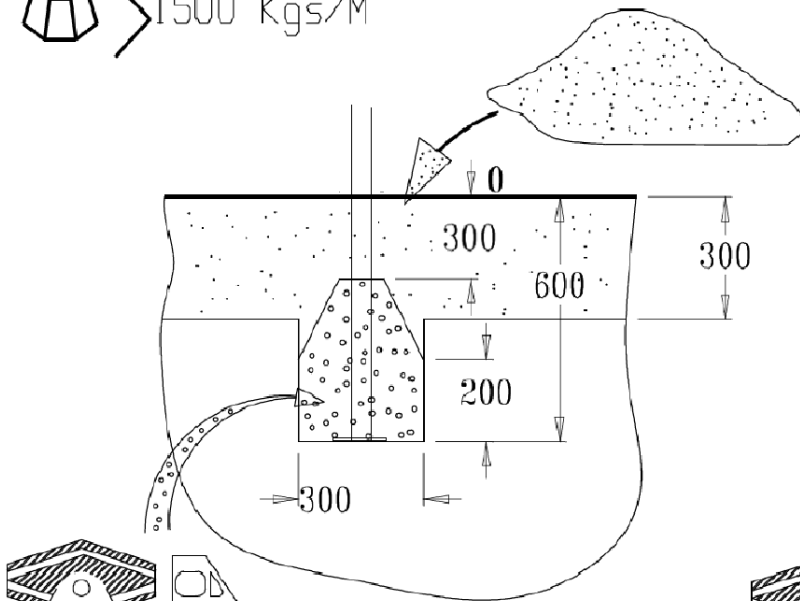
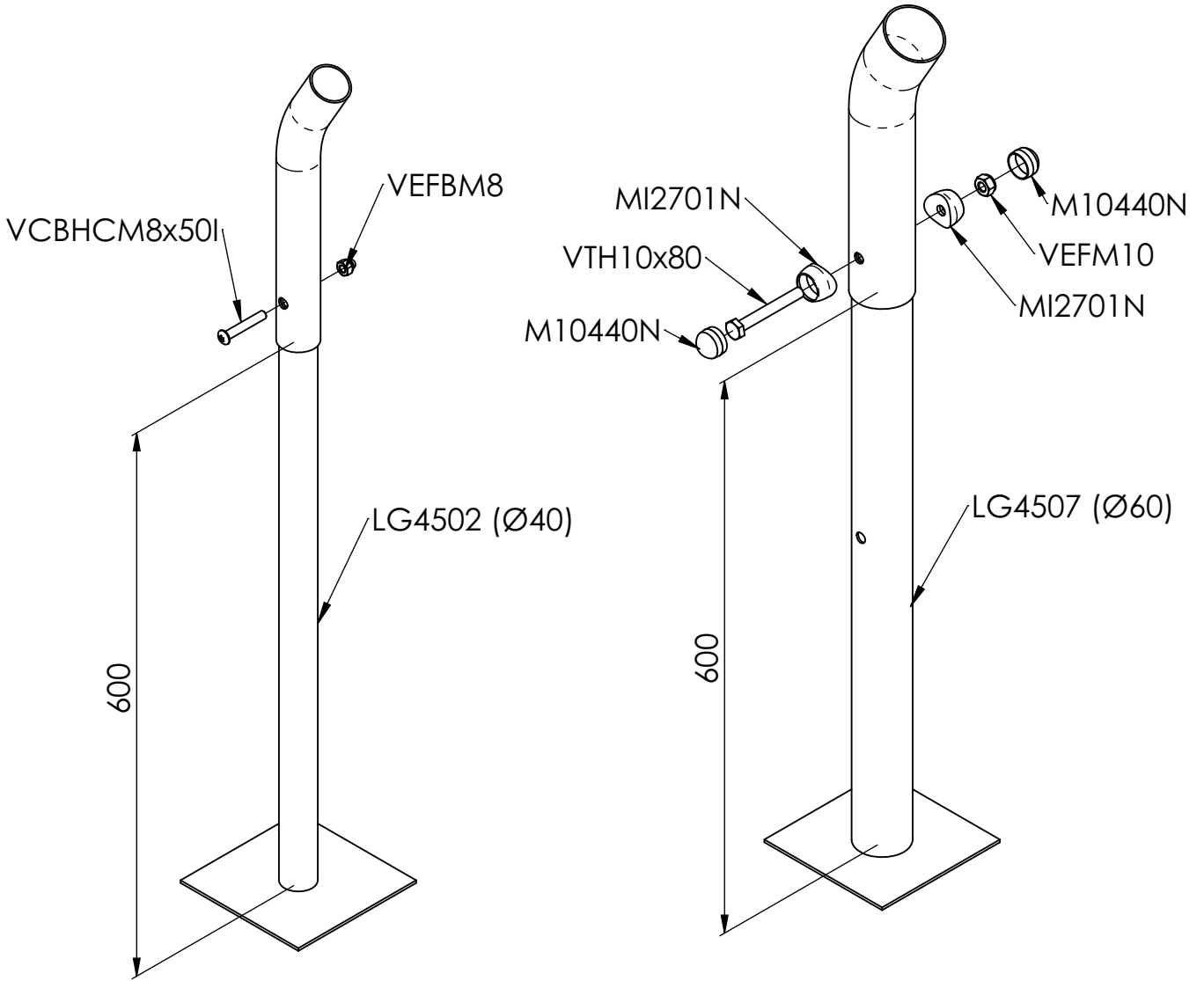


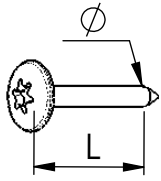
2



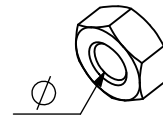
3



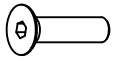




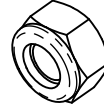
VBT 6 x 30
 \varnothing \uparrow L (mm)



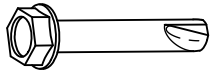
VEC M10
 \varnothing



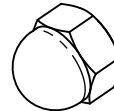
VFHC



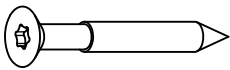
VEF



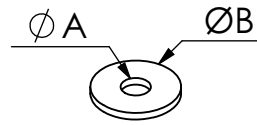
VTHA



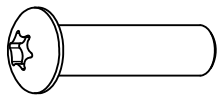
VEB



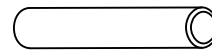
VWT



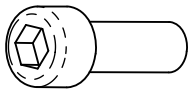
VR6x18
 $\varnothing A$ $\varnothing B$



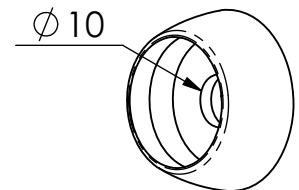
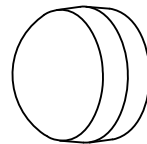
VCBHC



VGC

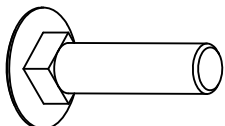


VBTR

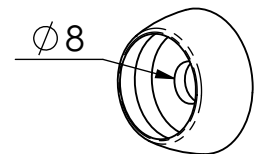
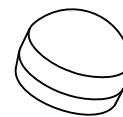


M10 440N

M10 310 N

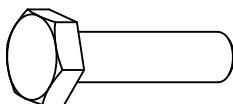


VTRCC

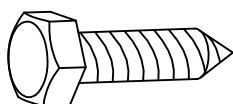


M8440N

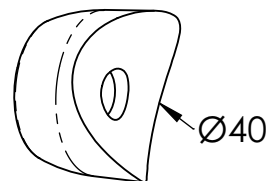
M8310N



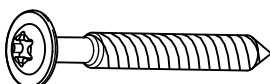
VTH



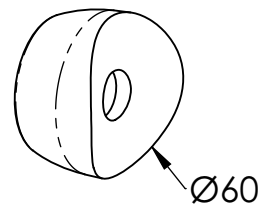
VTF



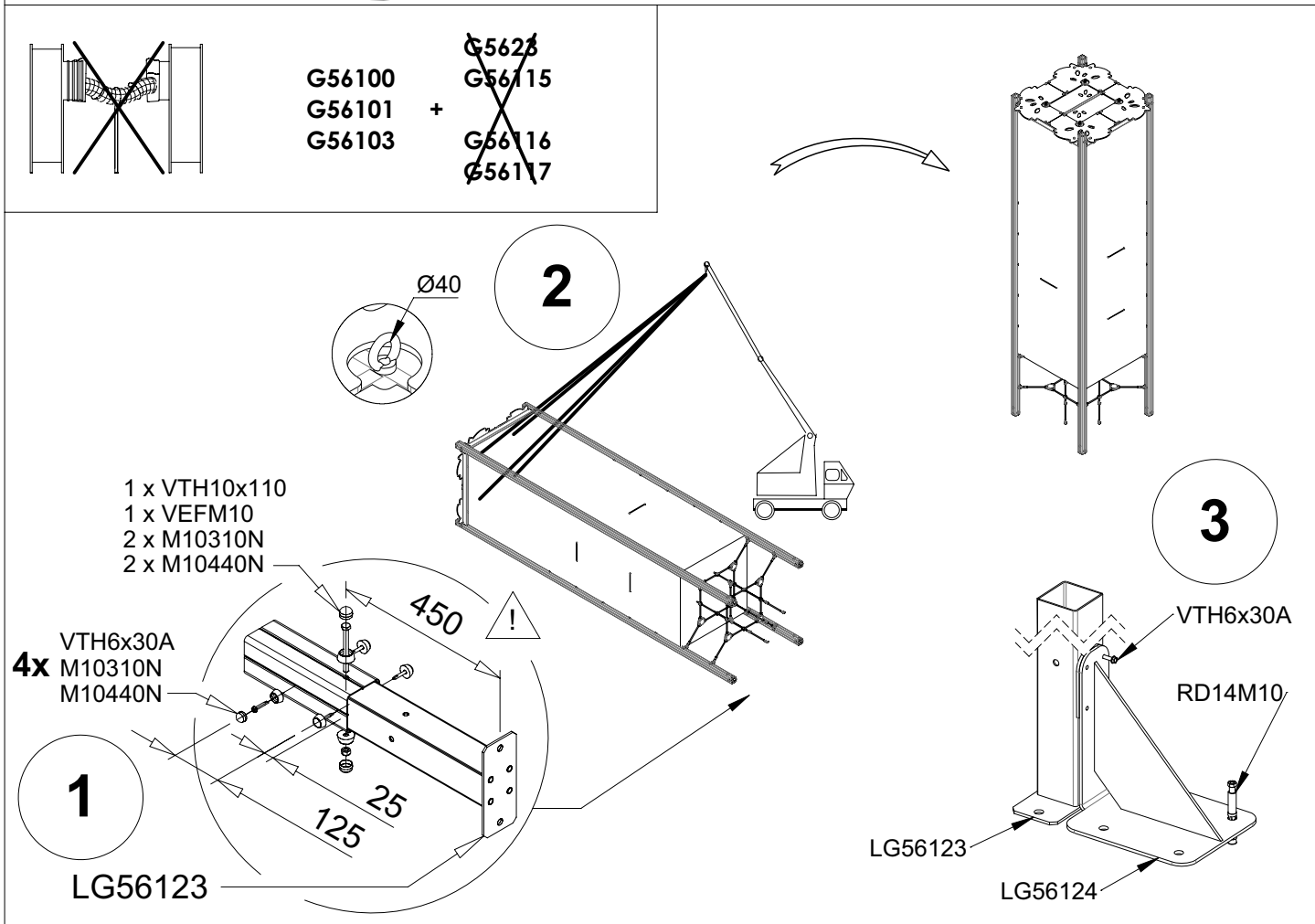
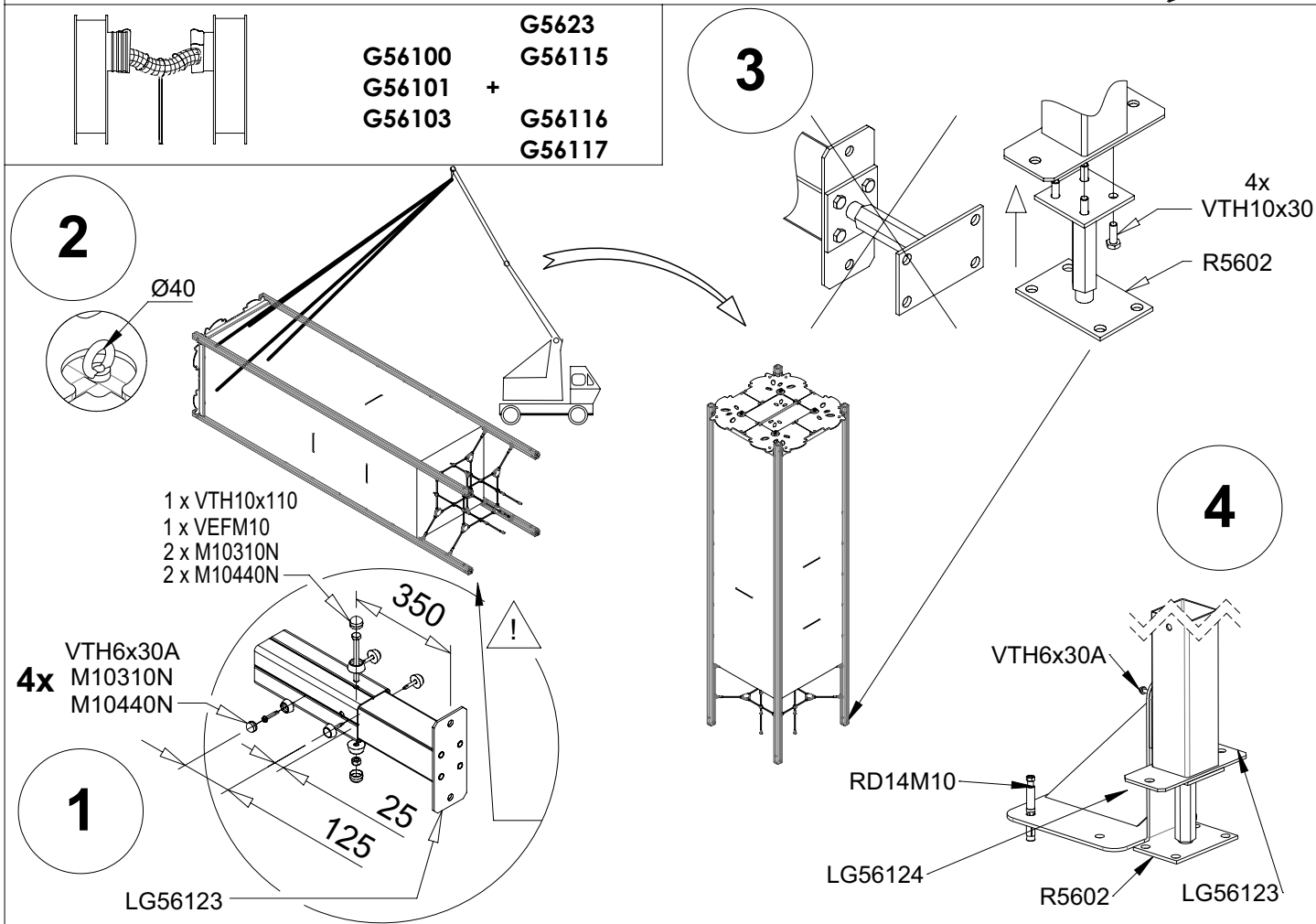
MI2503

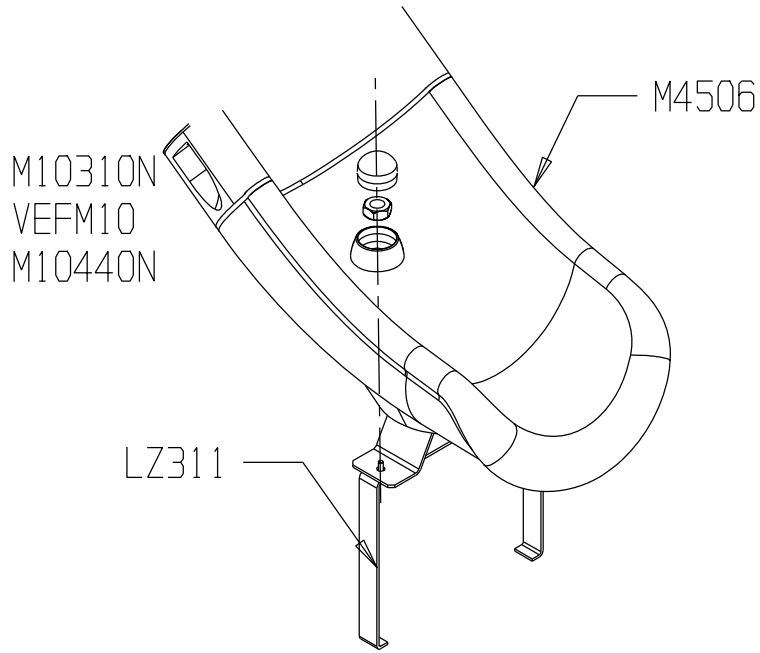


VBT

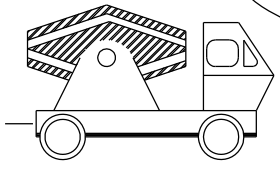
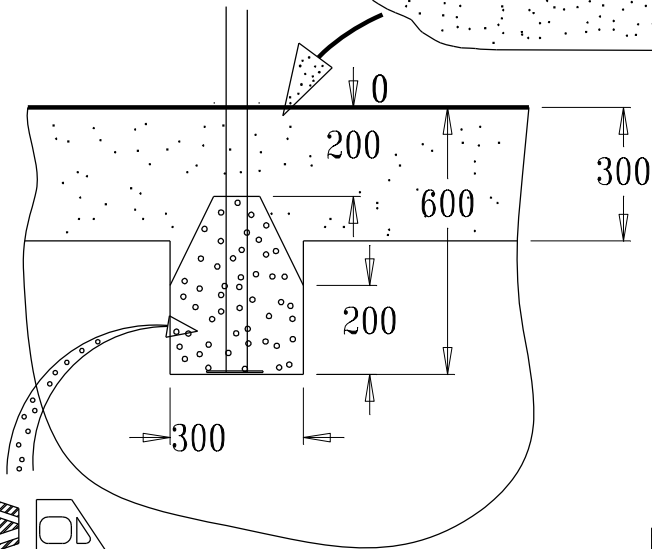
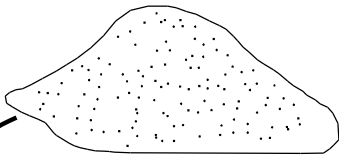


MI2701





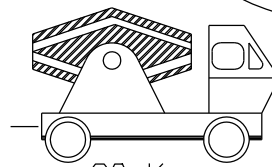
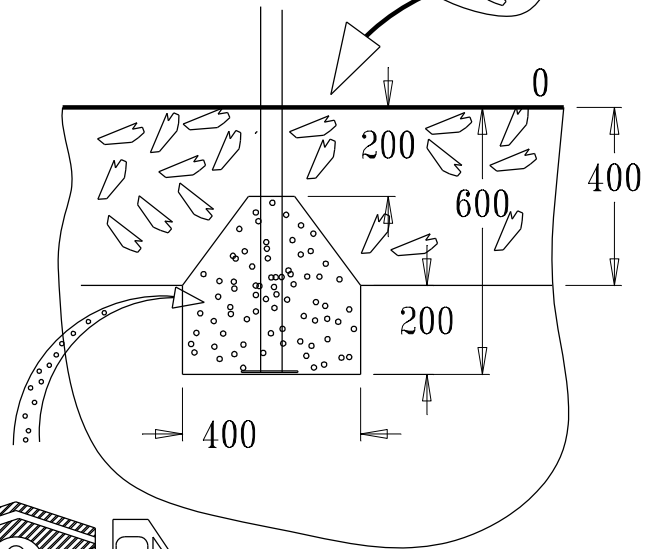
> 1500 Kgs/M³



50 Kgs

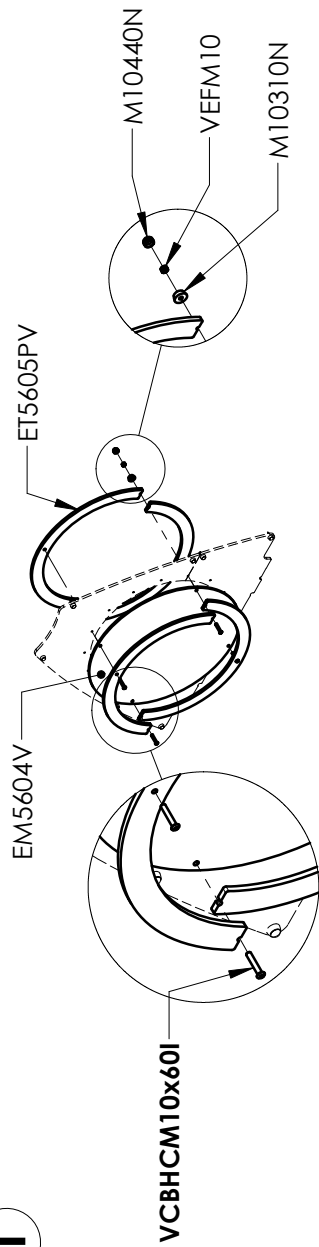


< 1500 Kgs/M³

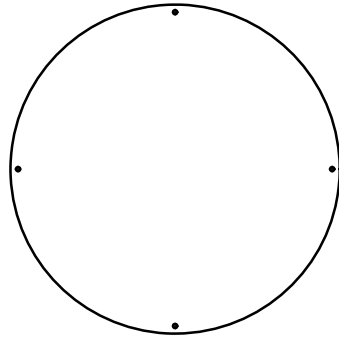


90 Kgs

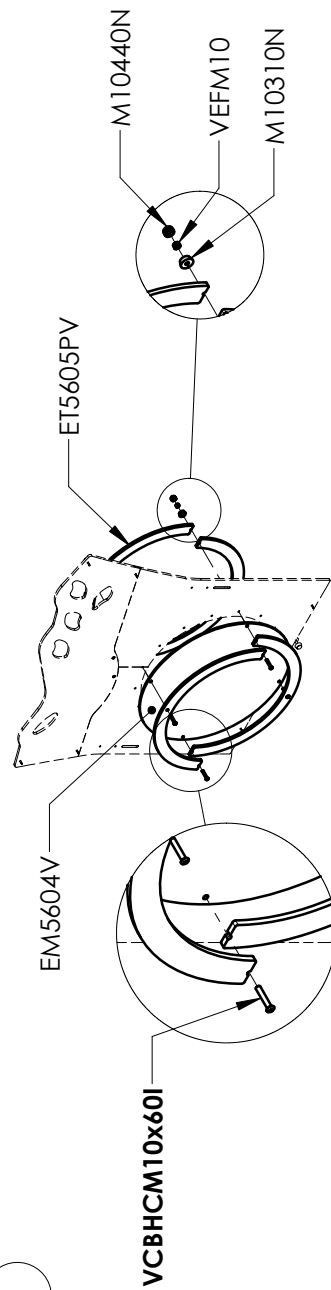
1



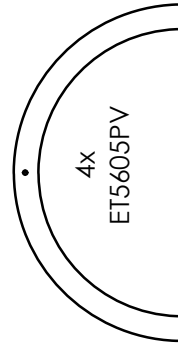
1x
EM5604V



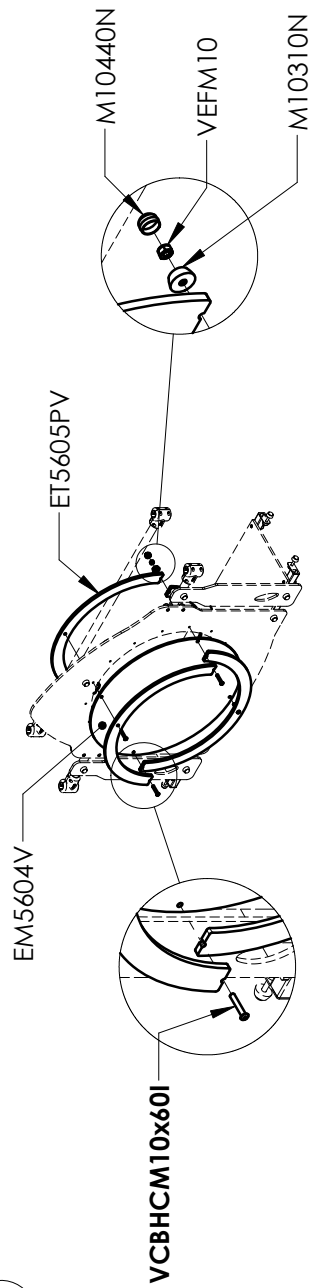
1



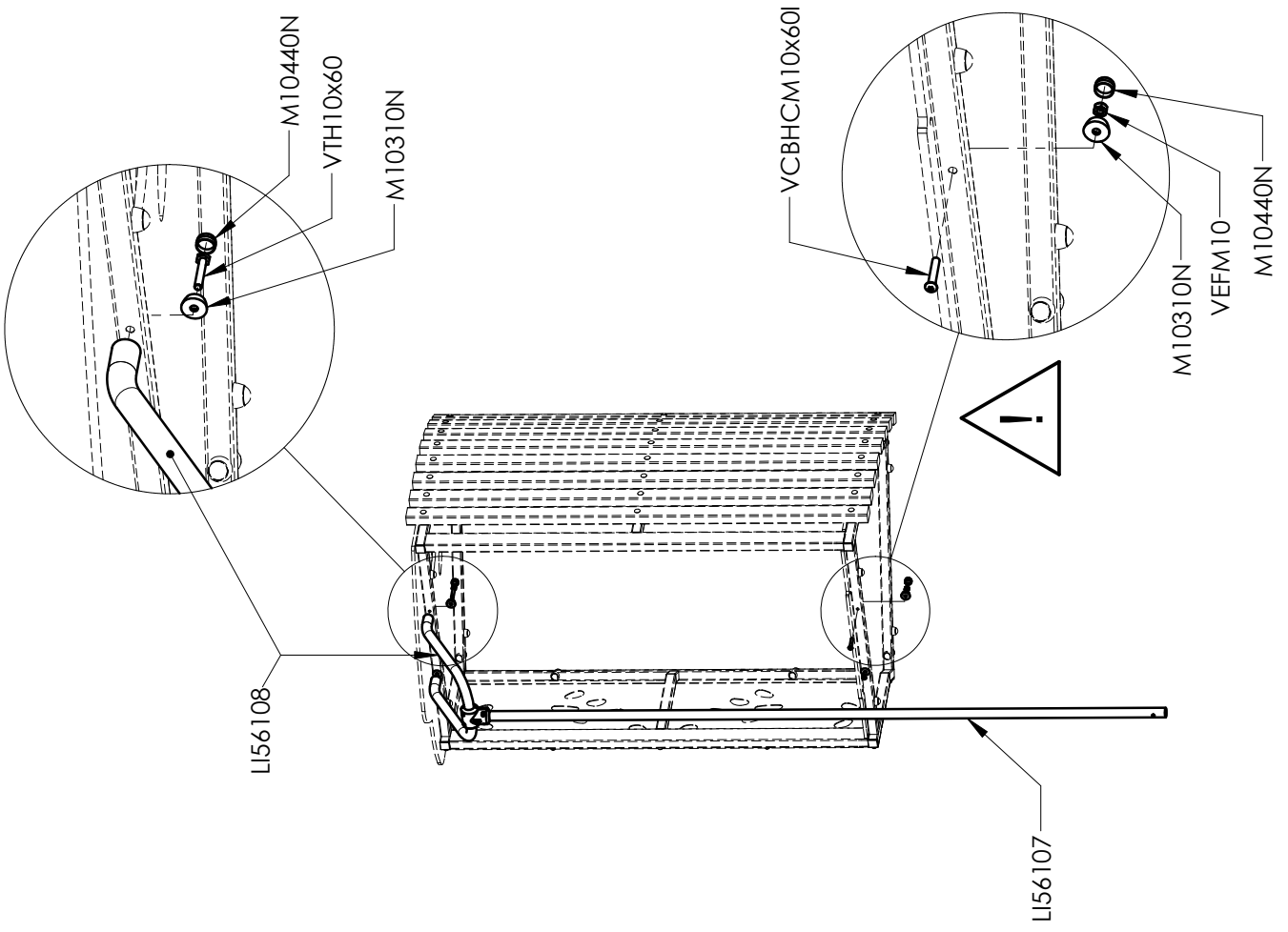
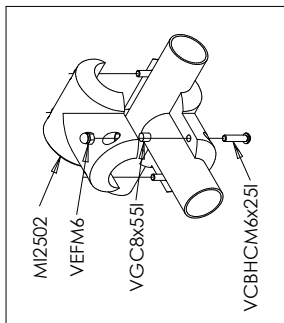
4x
ET5605PV



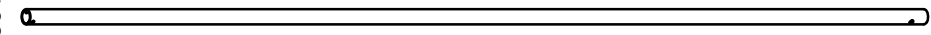
1



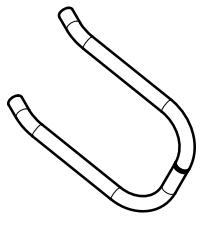
EM5604V	1
ET5605PV	4
M10310N	4
M10440N	4
VCBHCM10x60I	4
VEFM10	4



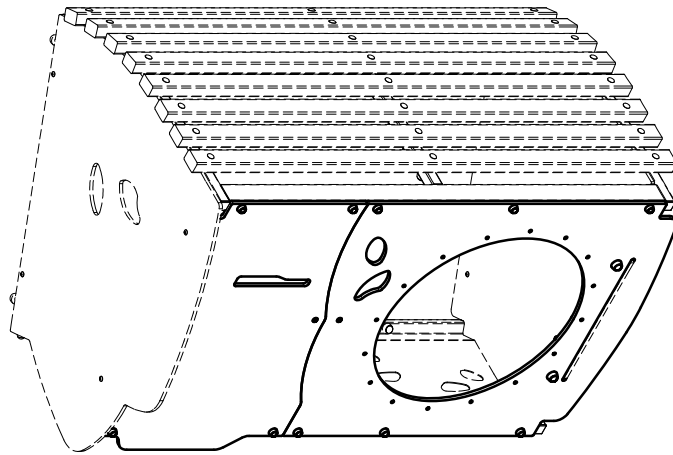
1x
LI56107



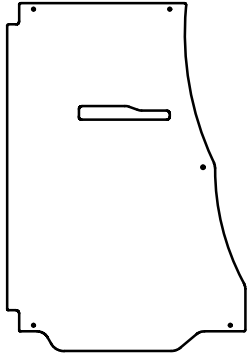
1x
LI56106



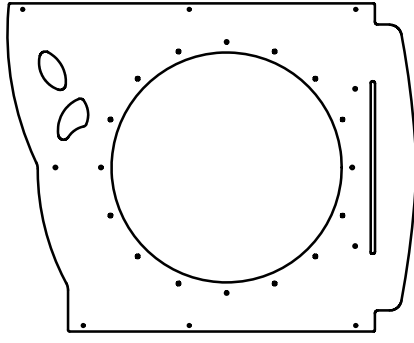
LI56106	1
LI56107	1
M10310N	4
M10440N	4
M12502N	2
VCBHCM6x25I	4
VCBHCM10x60I	2
VEBM6	4
VEFM10	2
VGC8x55I	1
VTH10x60	2



1x
ET56119CH



1x
ET56114PV

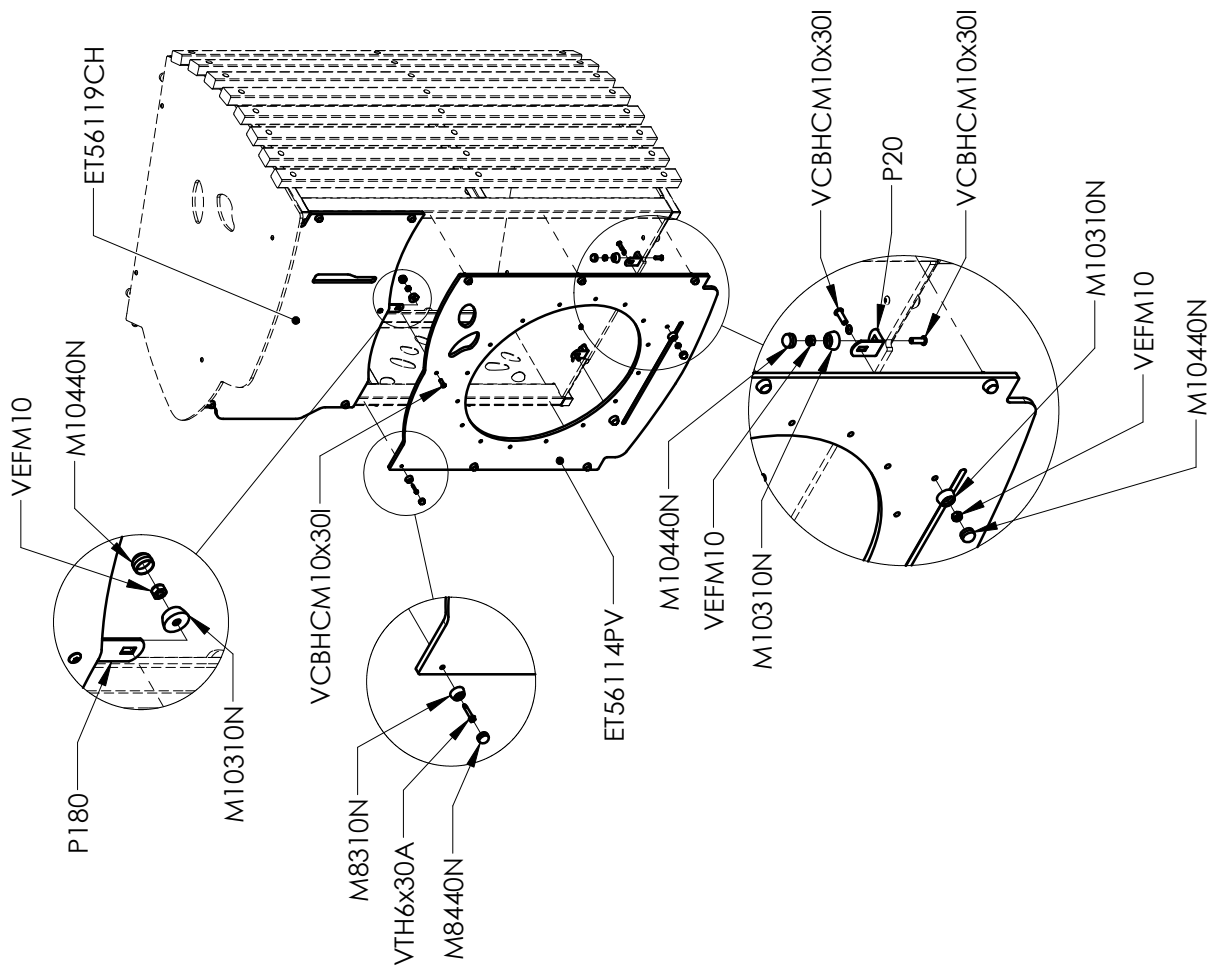
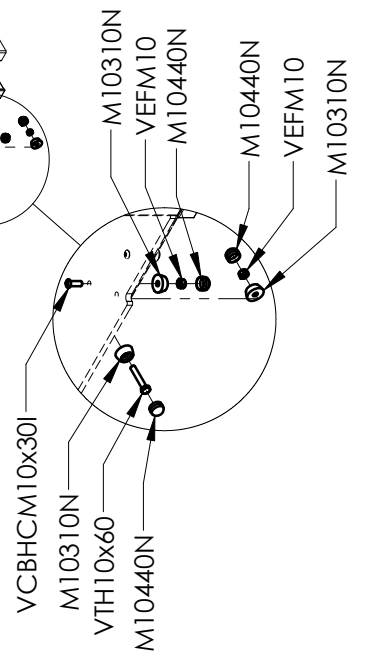
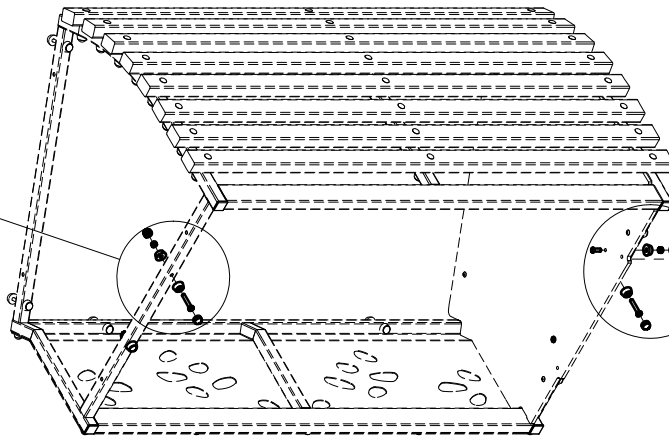
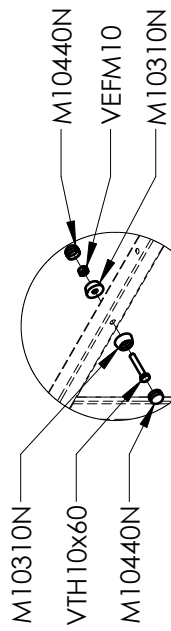


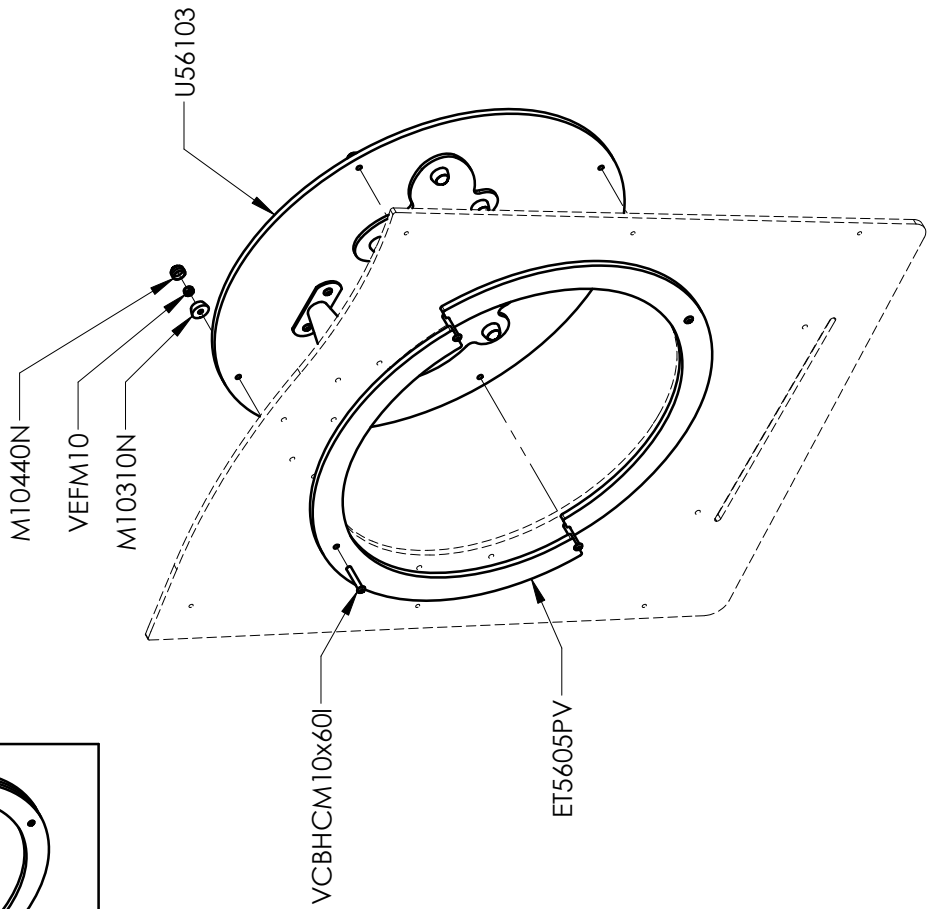
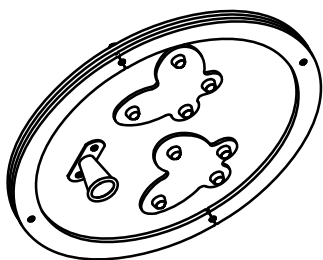
1x
P180



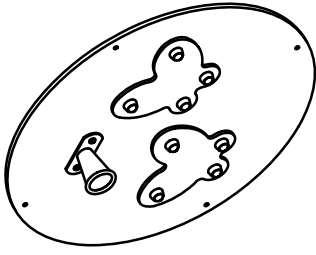
2x
P20

ET56114PV	1
ET56119CH	1
M8310N	10
M8440N	10
M10310N	16
M10440N	16
P20	2
P180	1
VCBHCM10x30I	8
VEFM10	12
VTH6x30A	10
VTH10x60	4

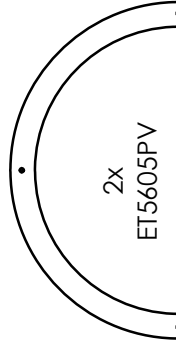




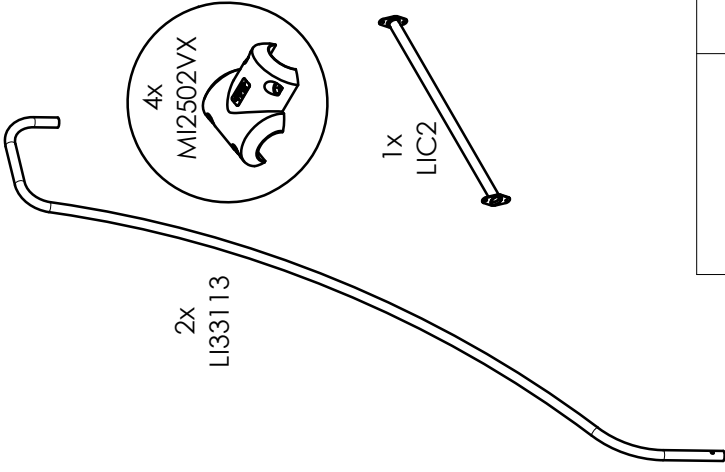
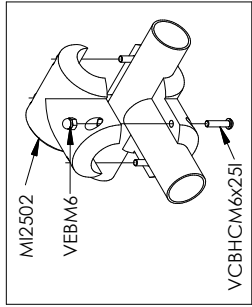
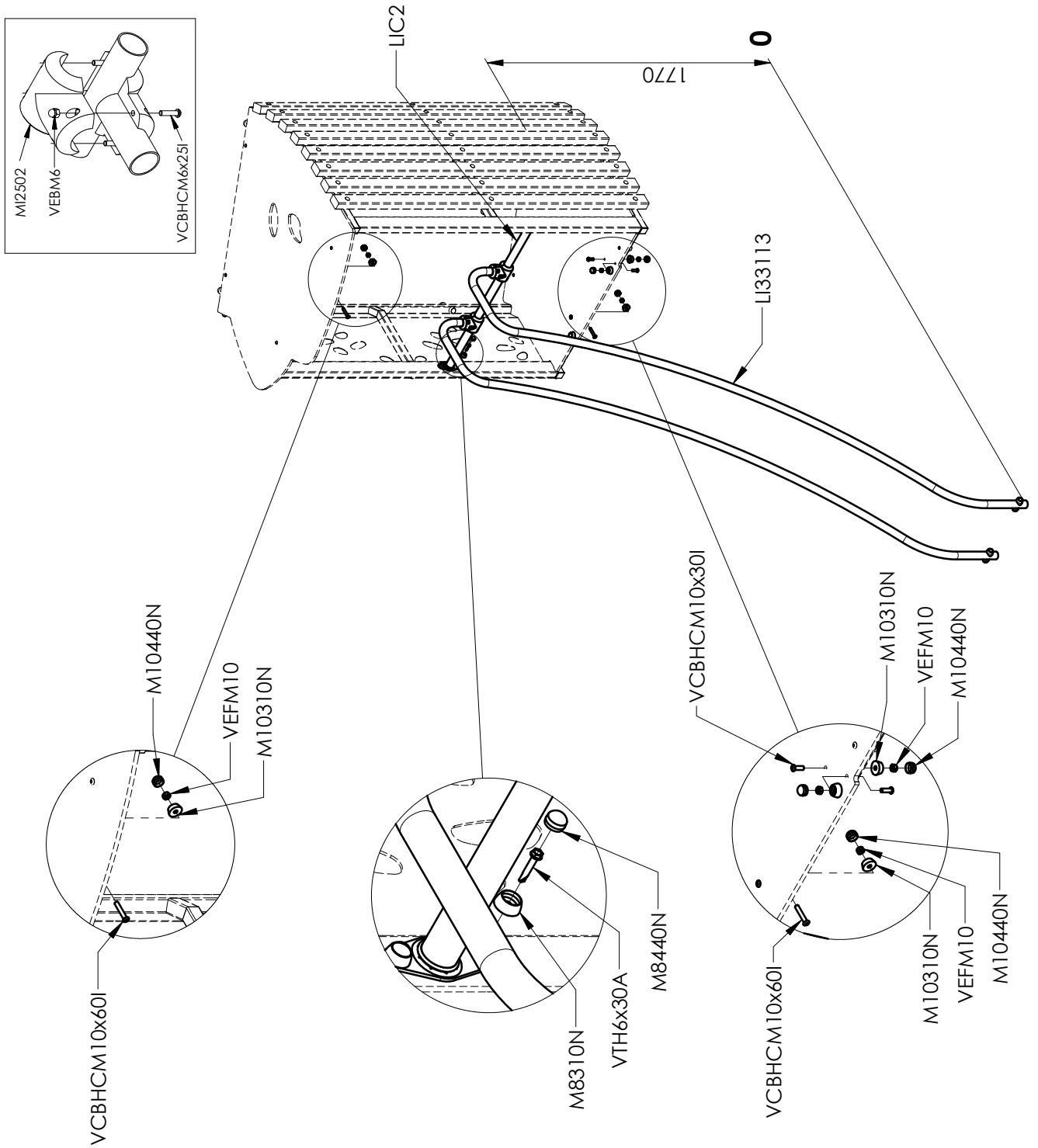
1x
U56103



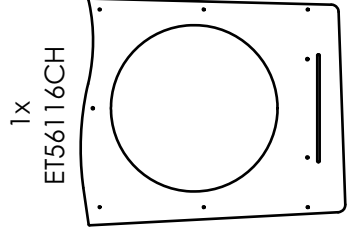
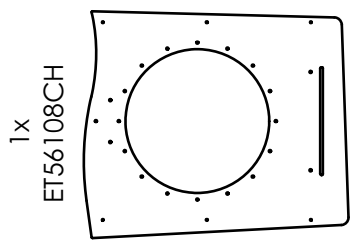
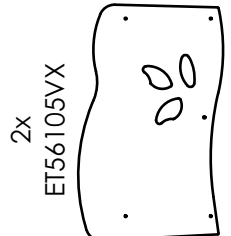
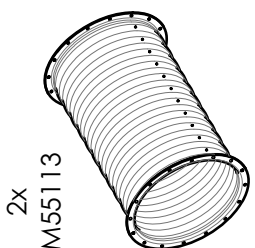
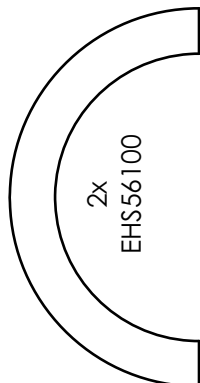
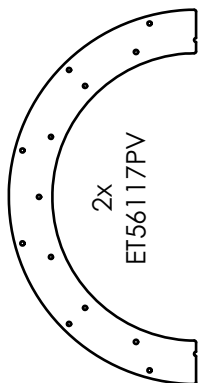
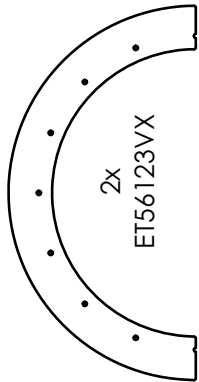
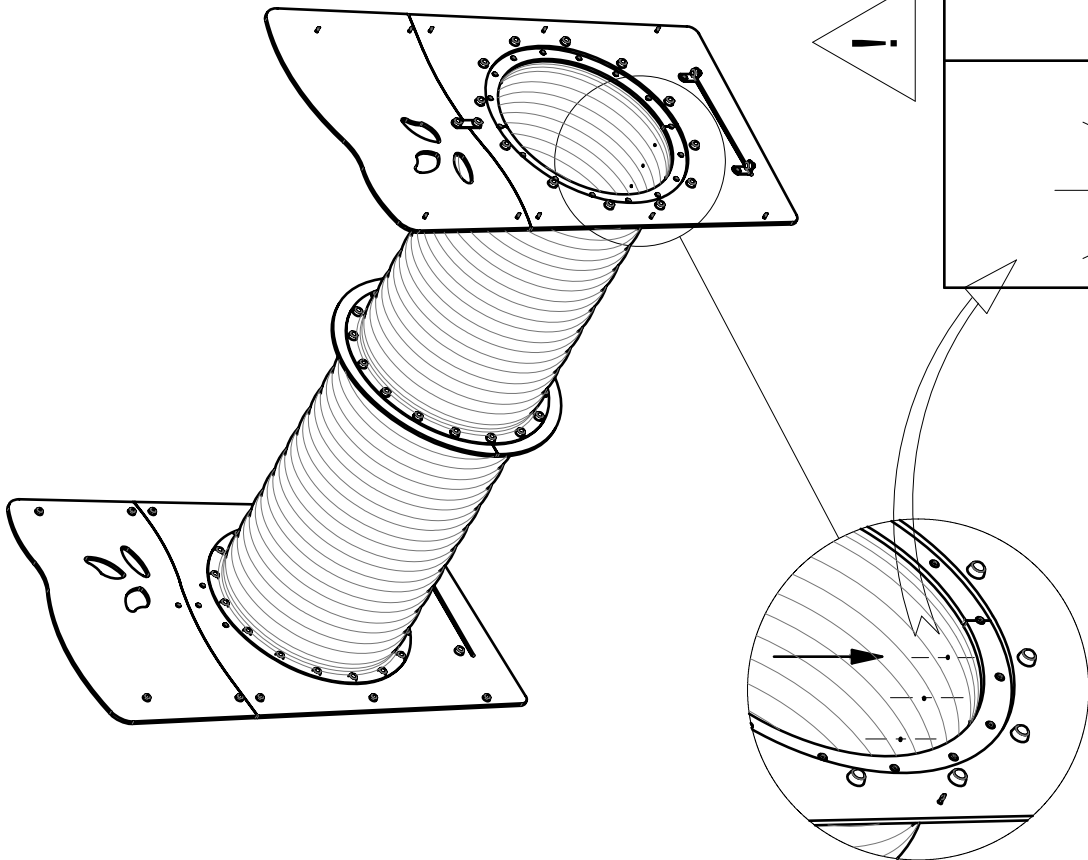
2x
ET5605PV



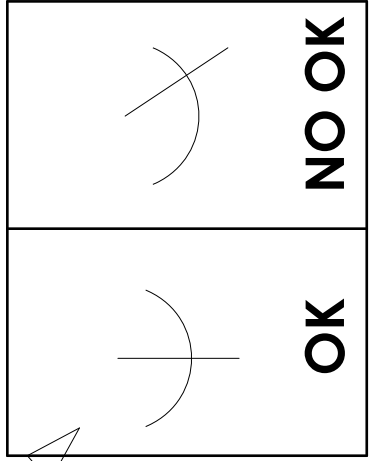
ET5605PV	2
M10310N	4
M10440N	4
U56103	1
VCBHC M10x60I	4
VEFM10	4

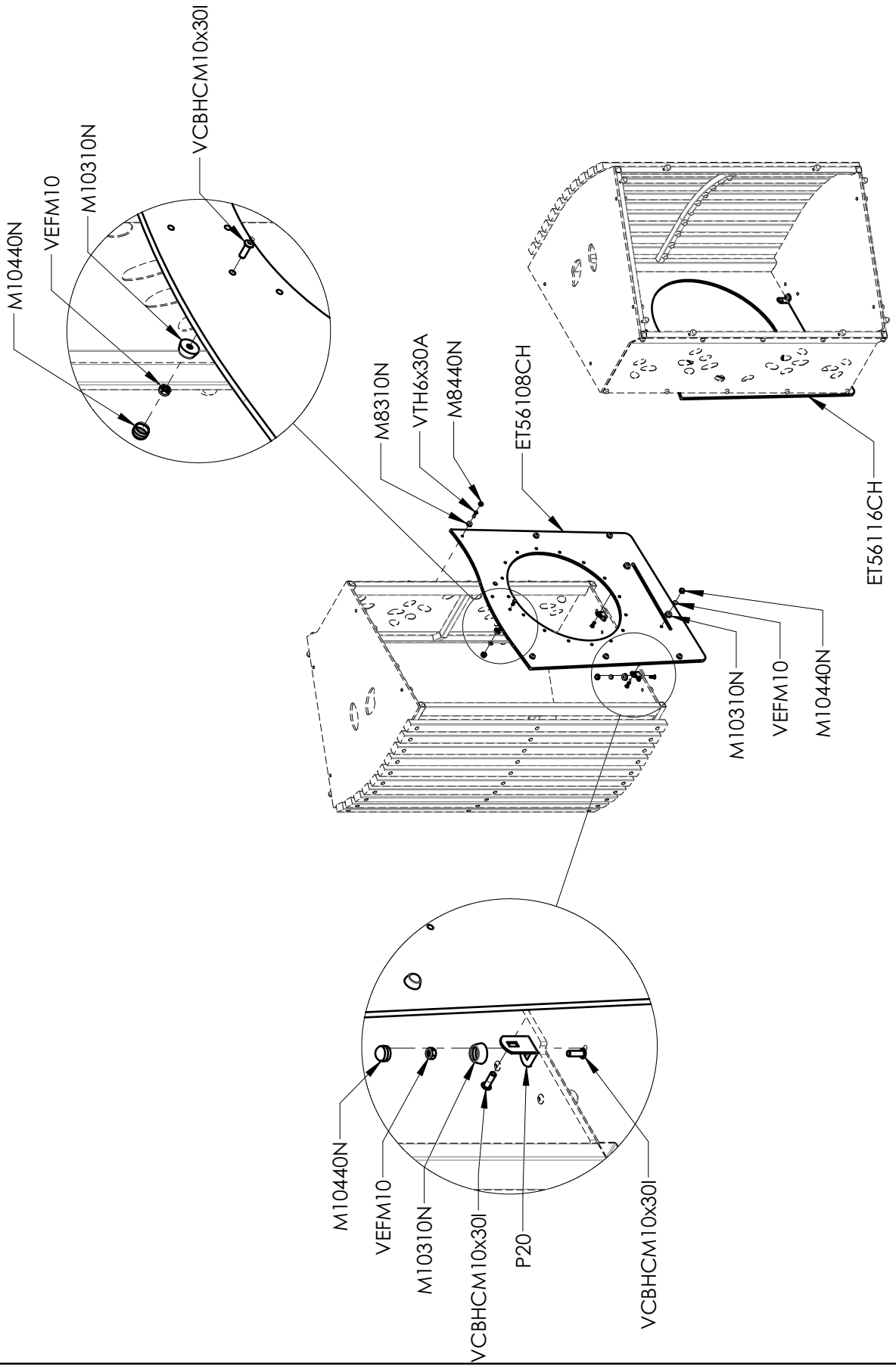


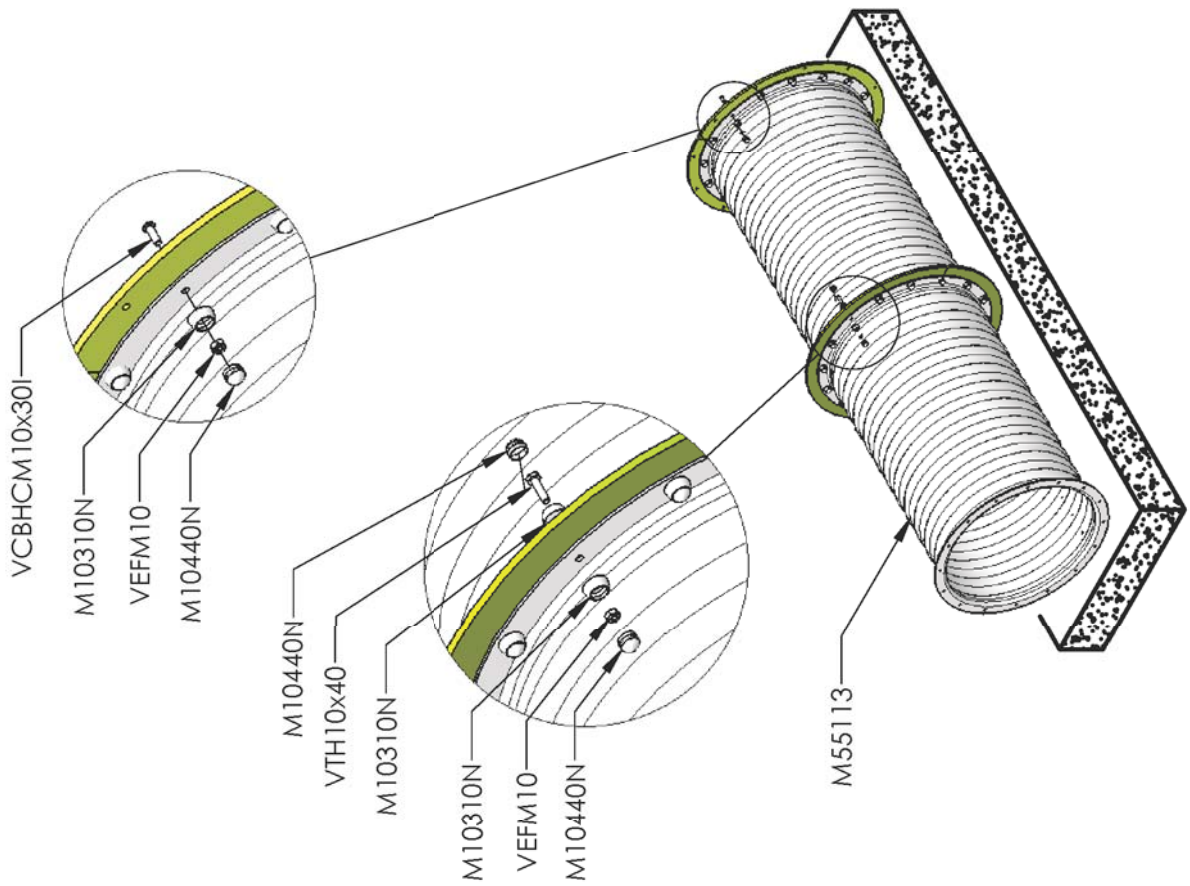
LG4502	2
LI33113	2
LIC2	1
M8310N	4
M8440N	4
M10310N	8
M10440N	12
M12502N	4
M12503N	4
VCBHCM6x25I	8
VCBHCM10x30I	4
VCBHCM10x60I	4
VEBM6	8
VEFM10	10
VTH6x30A	4
VTH10x60	2

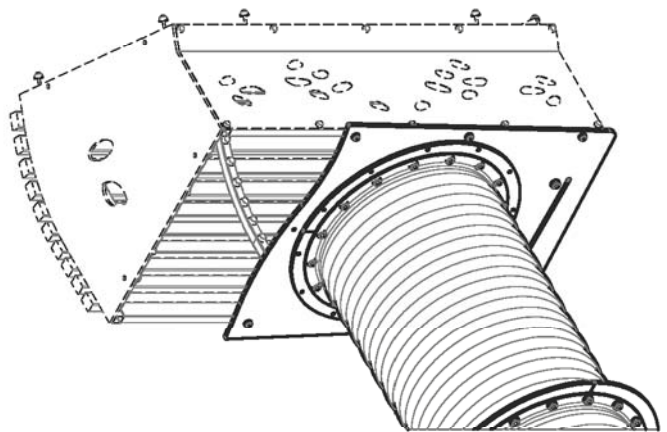
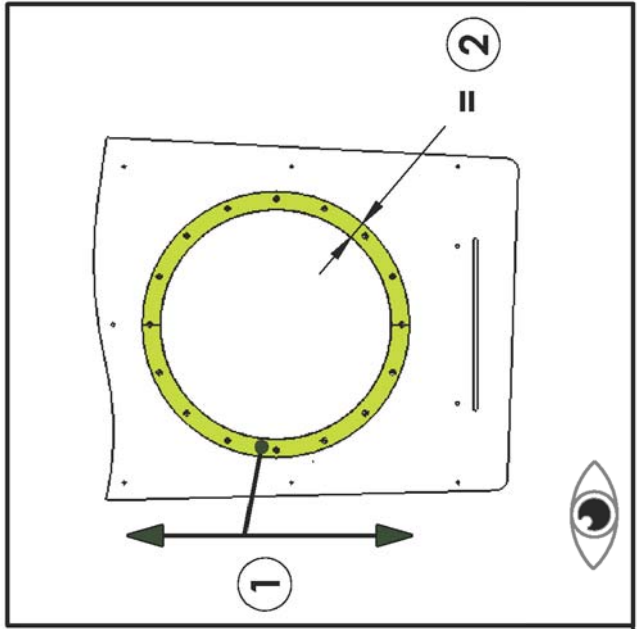
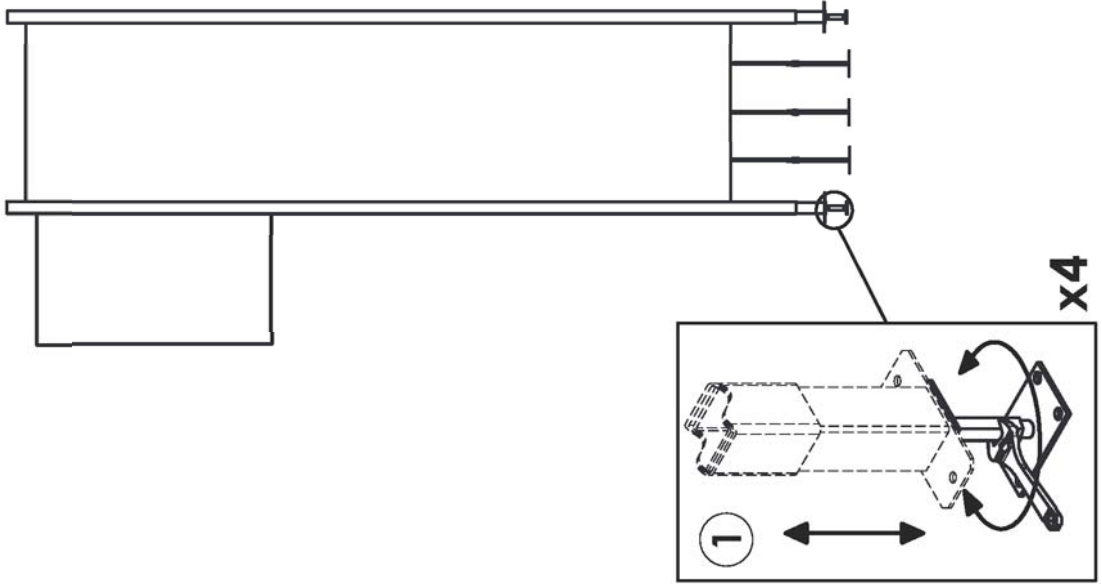


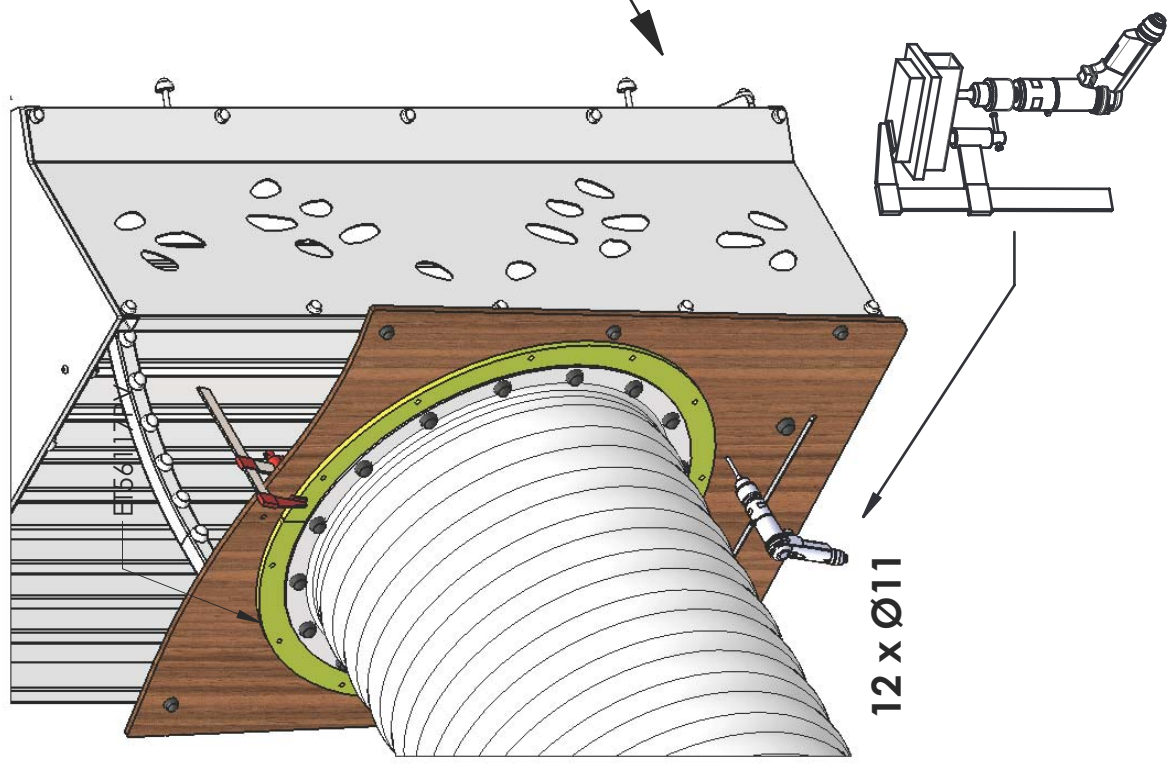
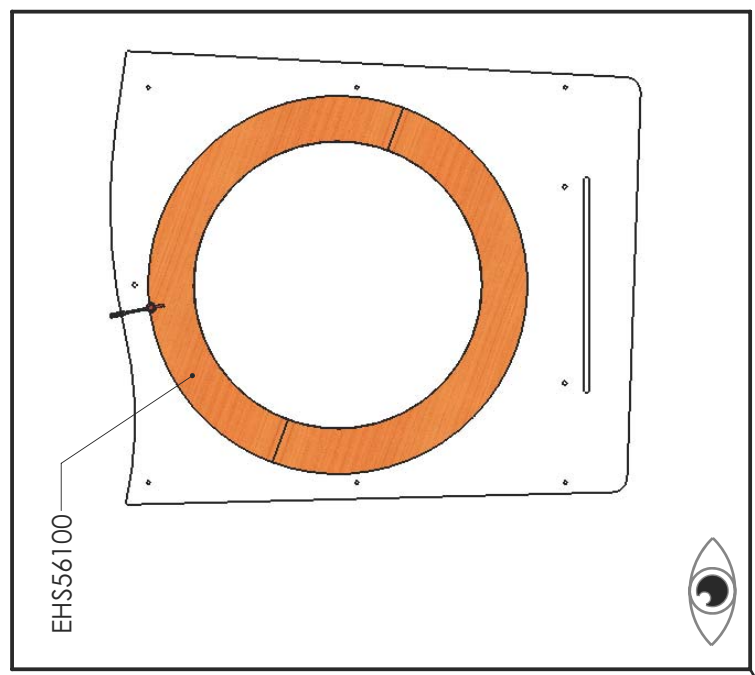
M8310N	20
M8440N	20
M10310N	90
M10440N	90
M55113	2
P20	4
P180	2
VCBHC10x30I	46
VCBHC10x40I	12
VEFM10	74
VTH6x30A	20
VTH10x40	16
ET56108CH	1
ET56105VX	2
ET56117PV	2
ET56116CH	1
ET56123VX	2

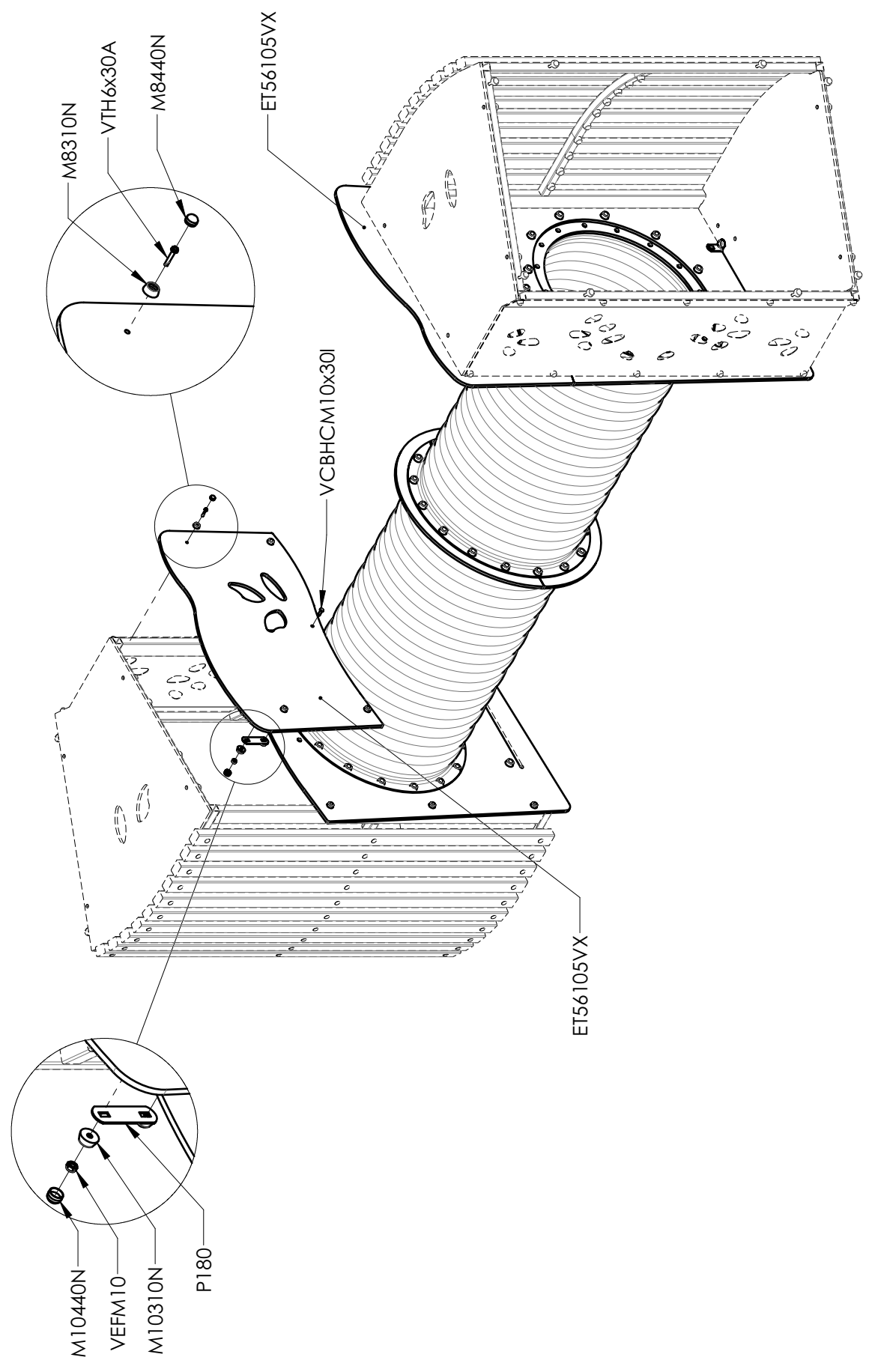


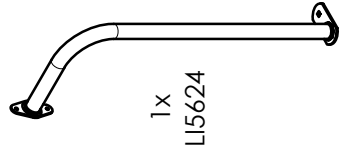
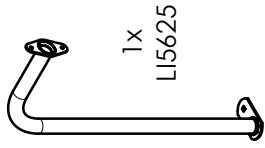
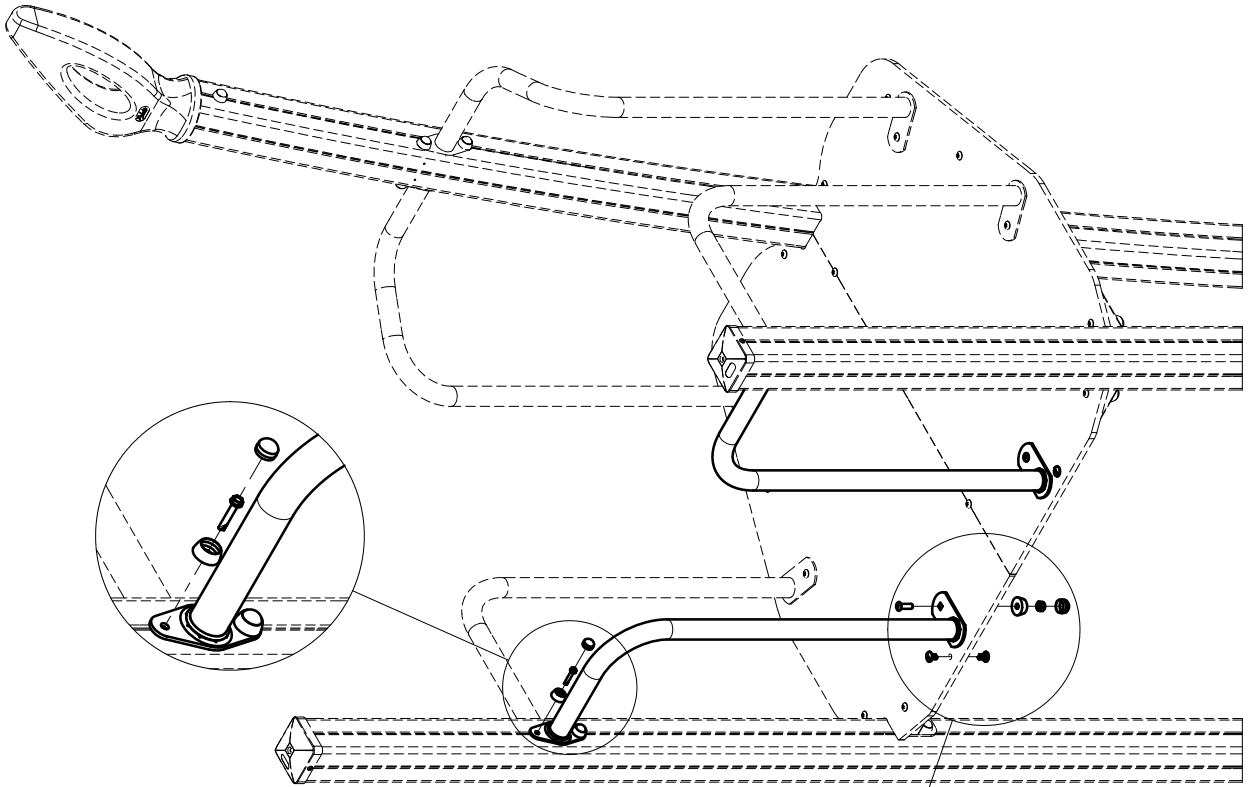




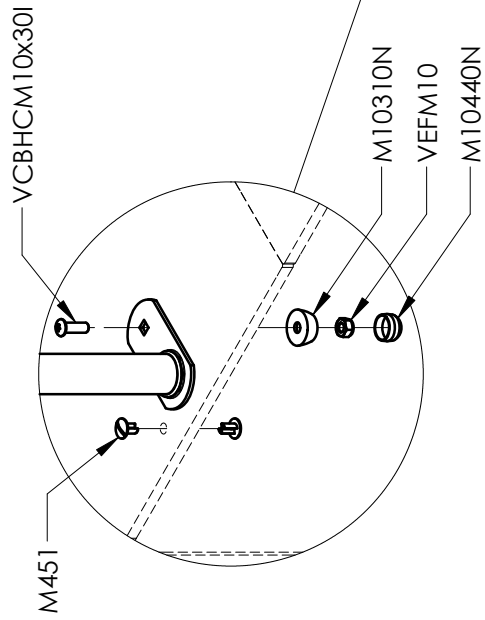


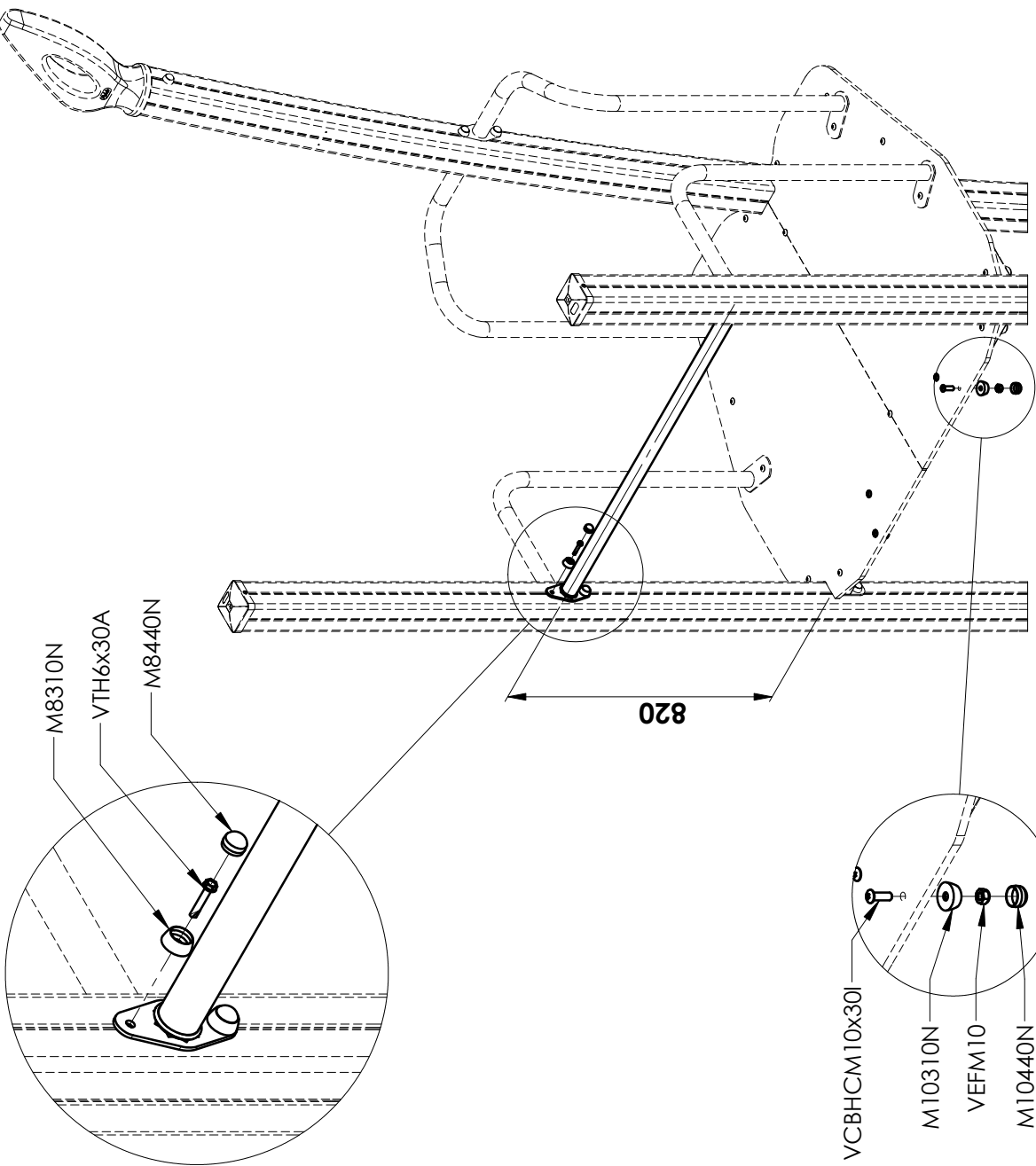




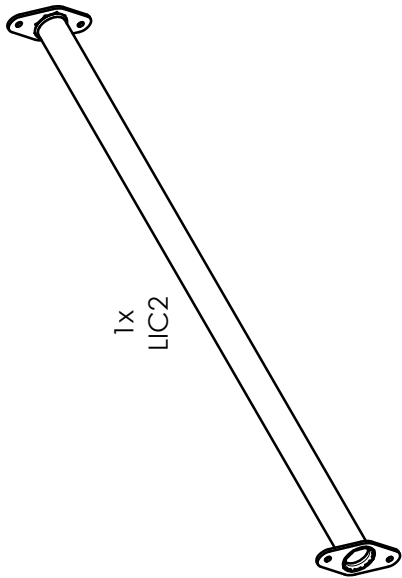


LI5624	1
LI5625	1
M451	4
M8310N	4
M8440N	4
M10310N	2
M10440N	2
VCBHCM10x30I	2
VEFM10	2
VTH6x30A	4

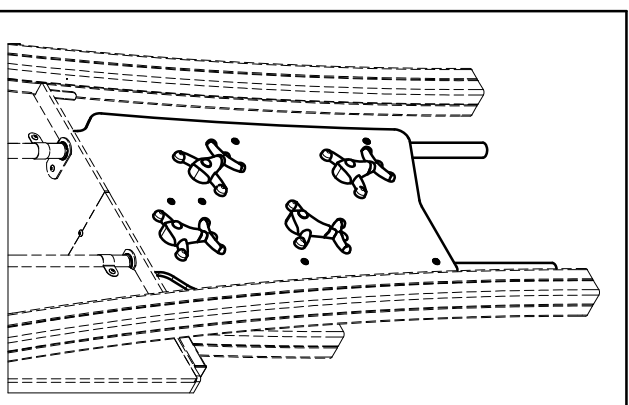




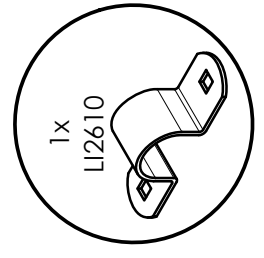
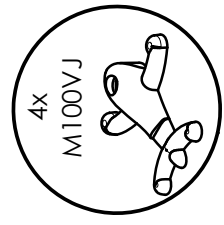
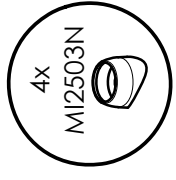
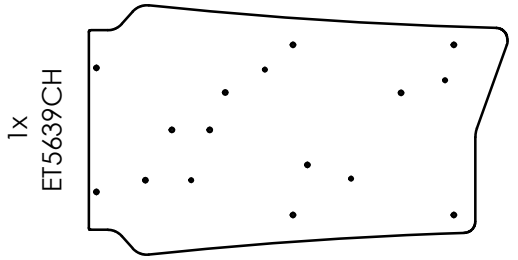
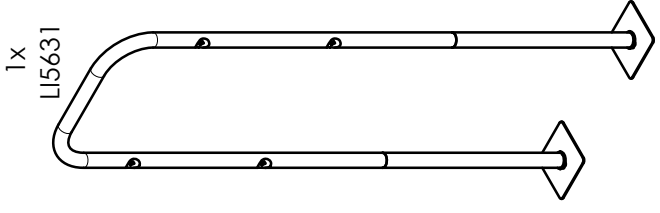
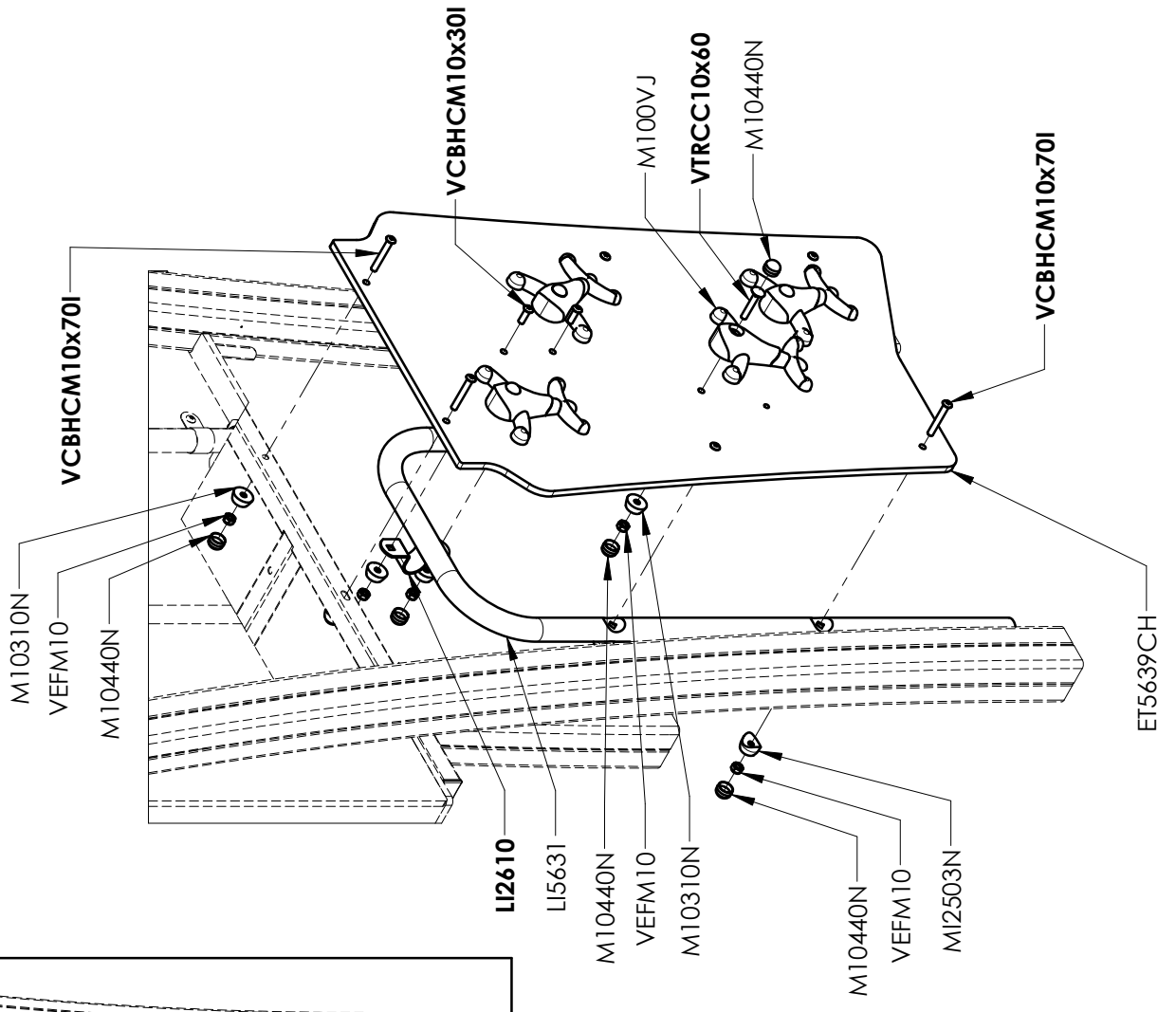
1x
LIC2



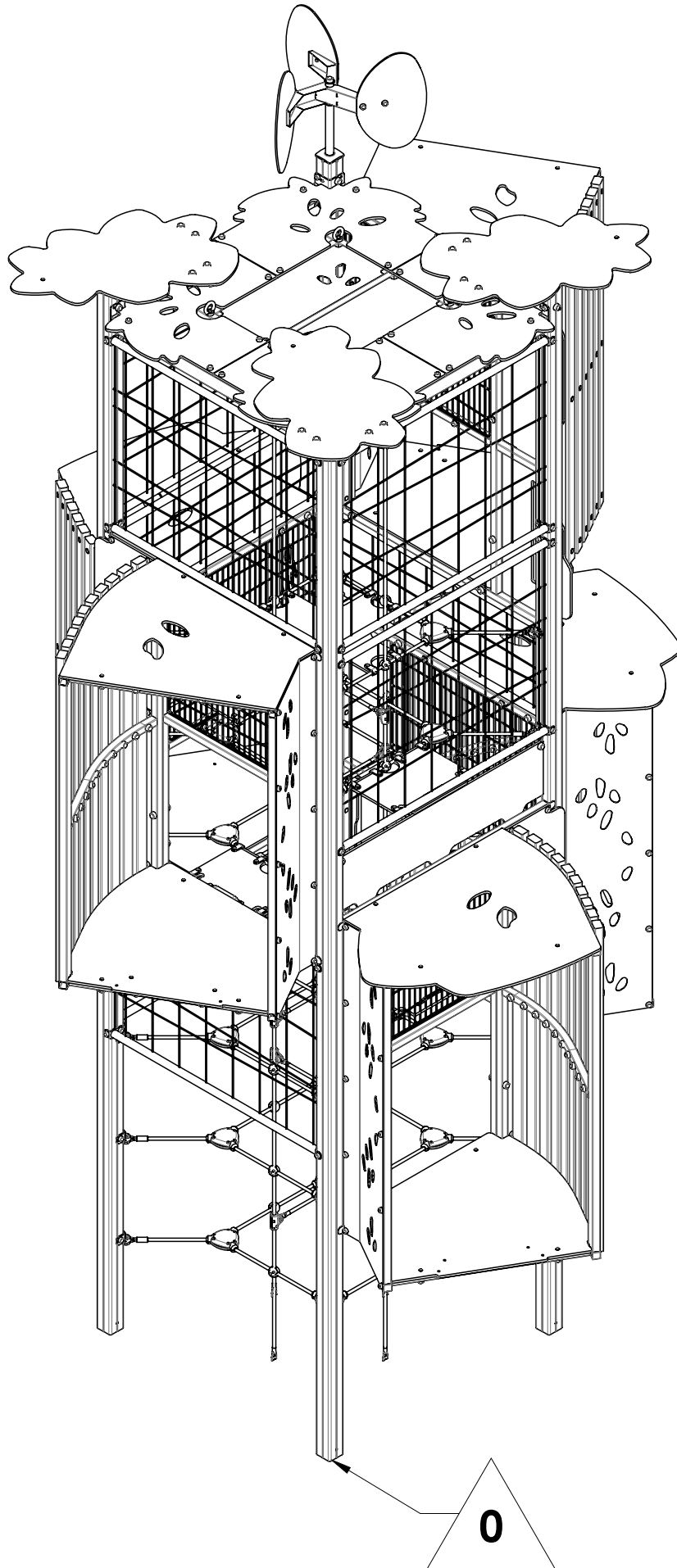
LIC2	1
M8310N	4
M8440N	4
M10310N	4
M10440N	4
VCBHCM10x30I	4
VEFM10	4
VTH6x30A	4

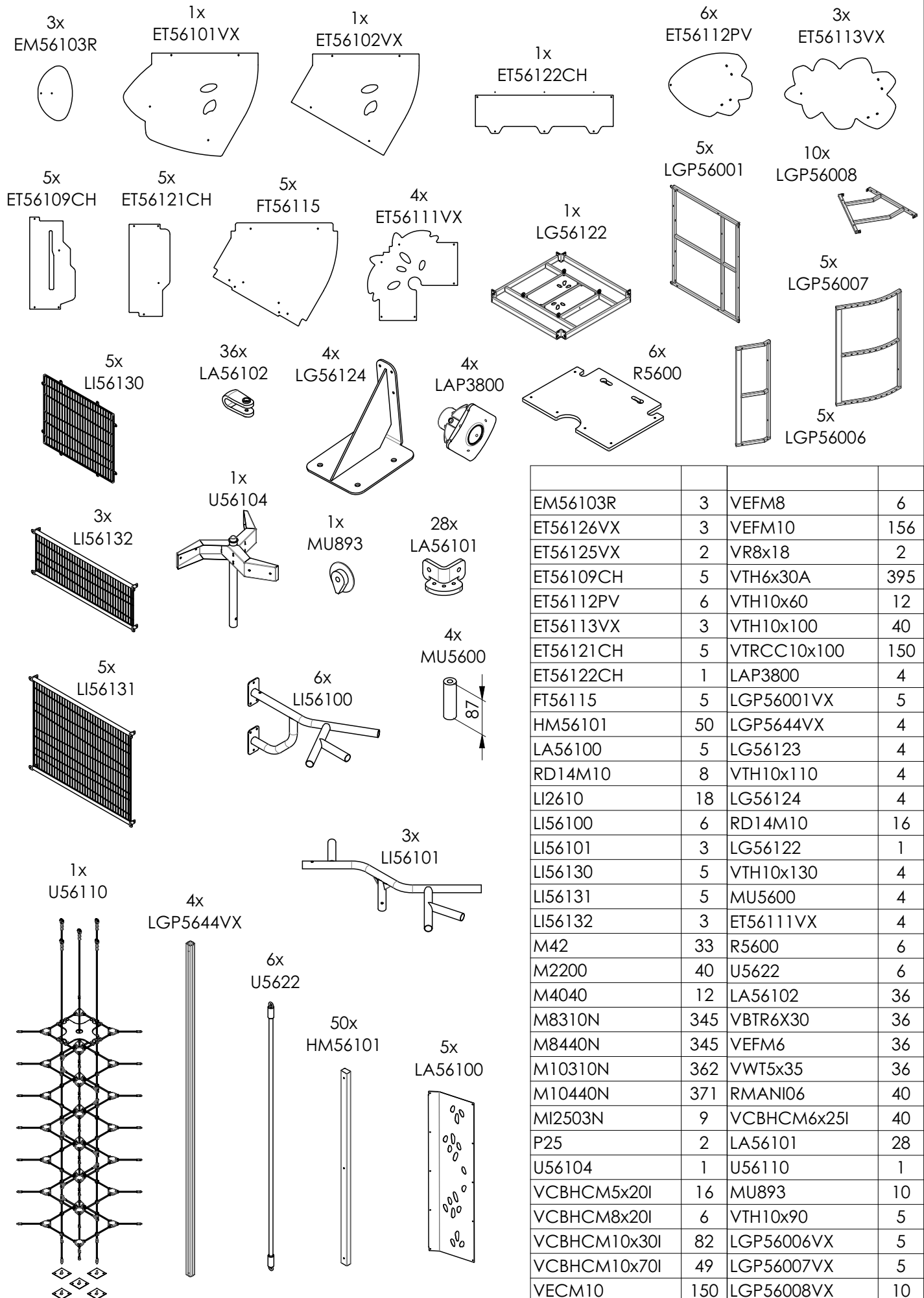


1

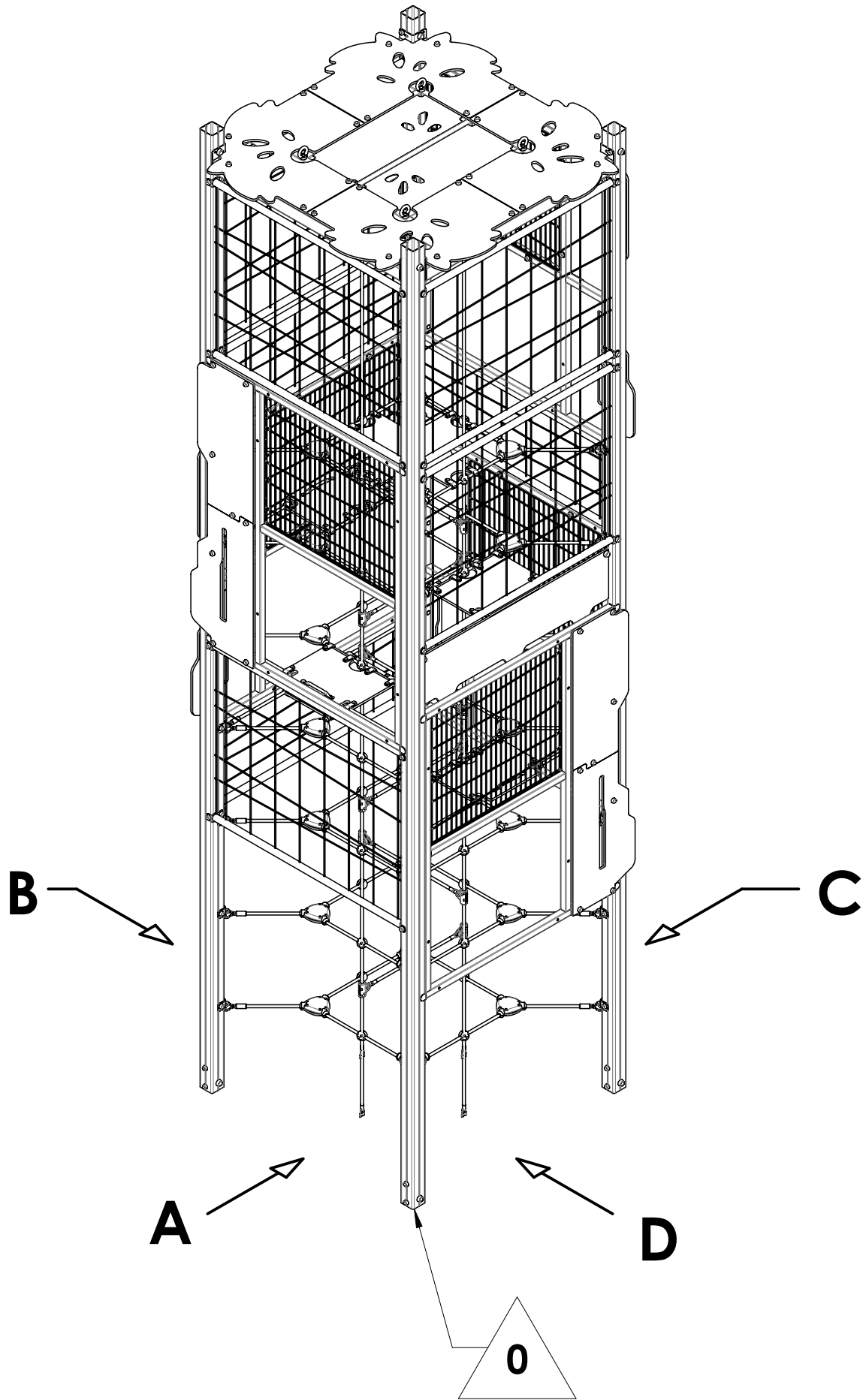


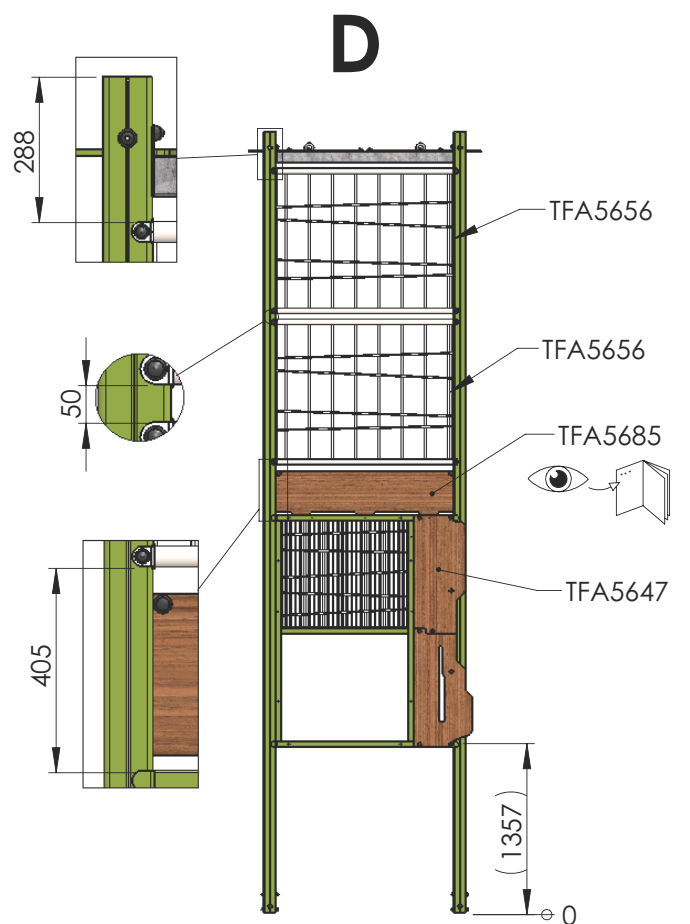
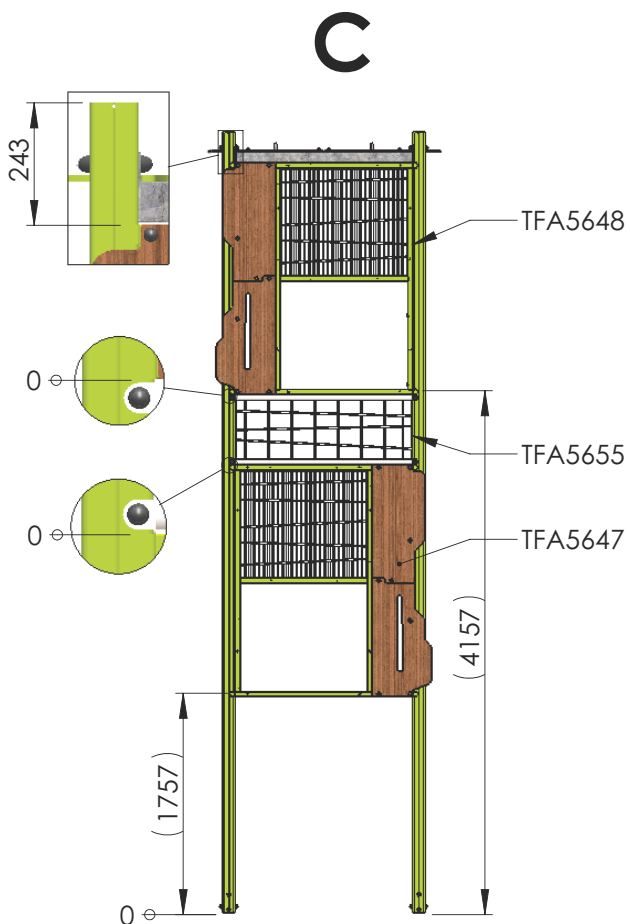
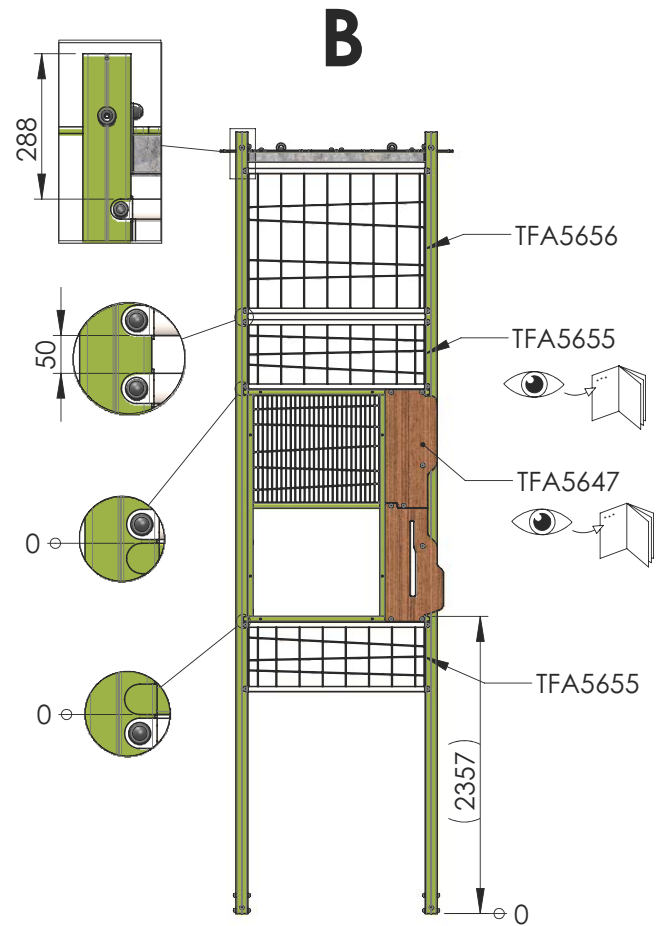
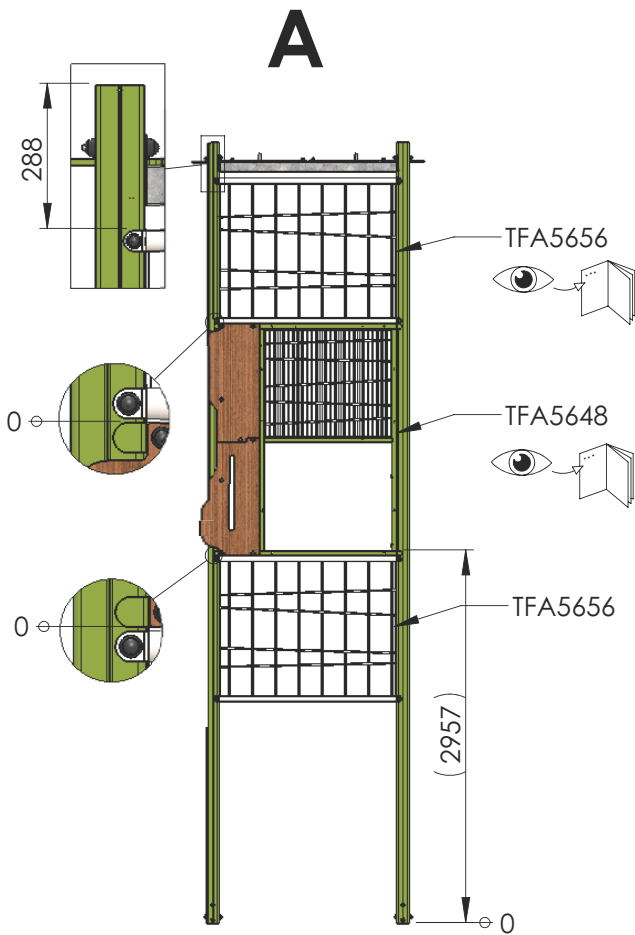
ET5639CH	1
LI2610	1
LI5631	1
M100VJ	4
M10310N	8
M10440N	16
M12503N	4
VCBHC M10x30I	2
VCBHC M10x70I	6
VEFM10	12
VTRCC10x60	4



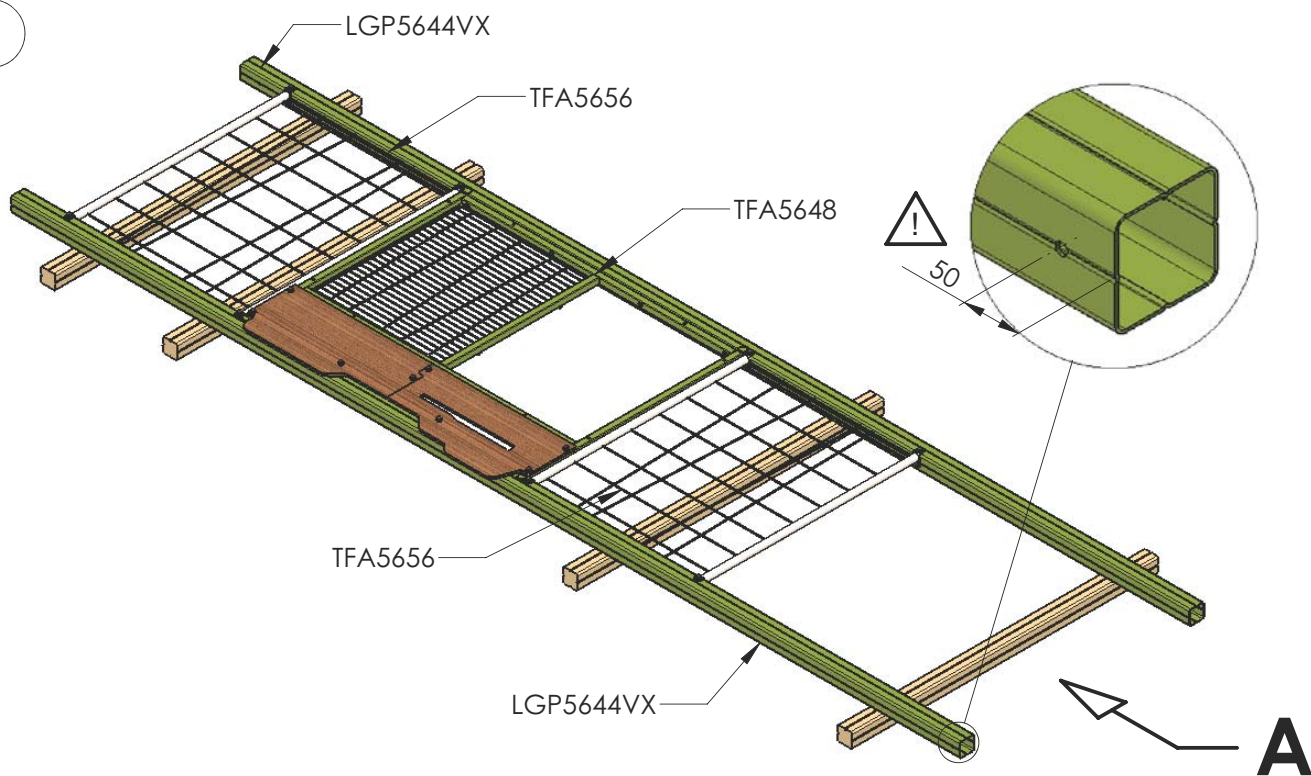


EM56103R	3	VEFM8	6
ET56126VX	3	VEFM10	156
ET56125VX	2	VR8x18	2
ET56109CH	5	VTH6x30A	395
ET56112PV	6	VTH10x60	12
ET56113VX	3	VTH10x100	40
ET56121CH	5	VTRCC10x100	150
ET56122CH	1	LAP3800	4
FT56115	5	LGP56001VX	5
HM56101	50	LGP5644VX	4
LA56100	5	LG56123	4
RD14M10	8	VTH10x110	4
LI2610	18	LG56124	4
LI56100	6	RD14M10	16
LI56101	3	LG56122	1
LI56130	5	VTH10x130	4
LI56131	5	MU5600	4
LI56132	3	ET56111VX	4
M42	33	R5600	6
M2200	40	U5622	6
M4040	12	LA56102	36
M8310N	345	VBTR6X30	36
M8440N	345	VEFM6	36
M10310N	362	VWT5x35	36
M10440N	371	RMANI06	40
MI2503N	9	VCBHCM6x25I	40
P25	2	LA56101	28
U56104	1	U56110	1
VCBHCM5x20I	16	MU893	10
VCBHCM8x20I	6	VTH10x90	5
VCBHCM10x30I	82	LGP56006VX	5
VCBHCM10x70I	49	LGP56007VX	5
VECM10	150	LGP56008VX	10

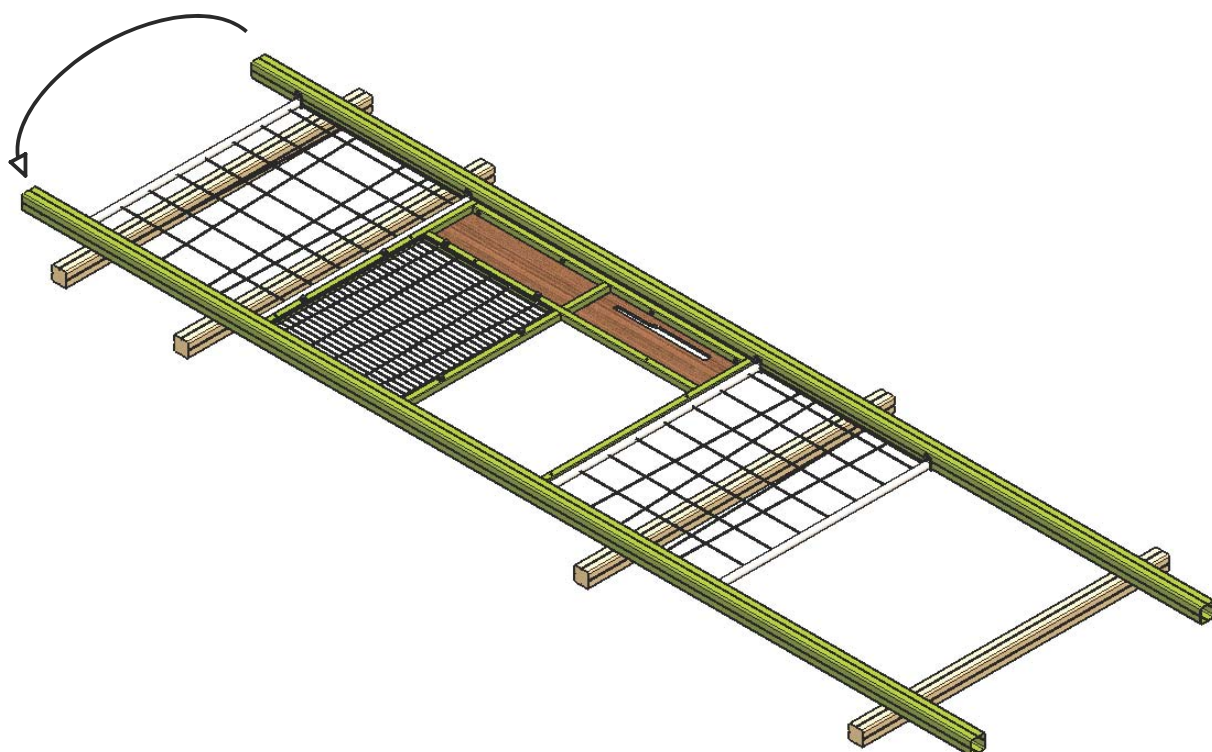




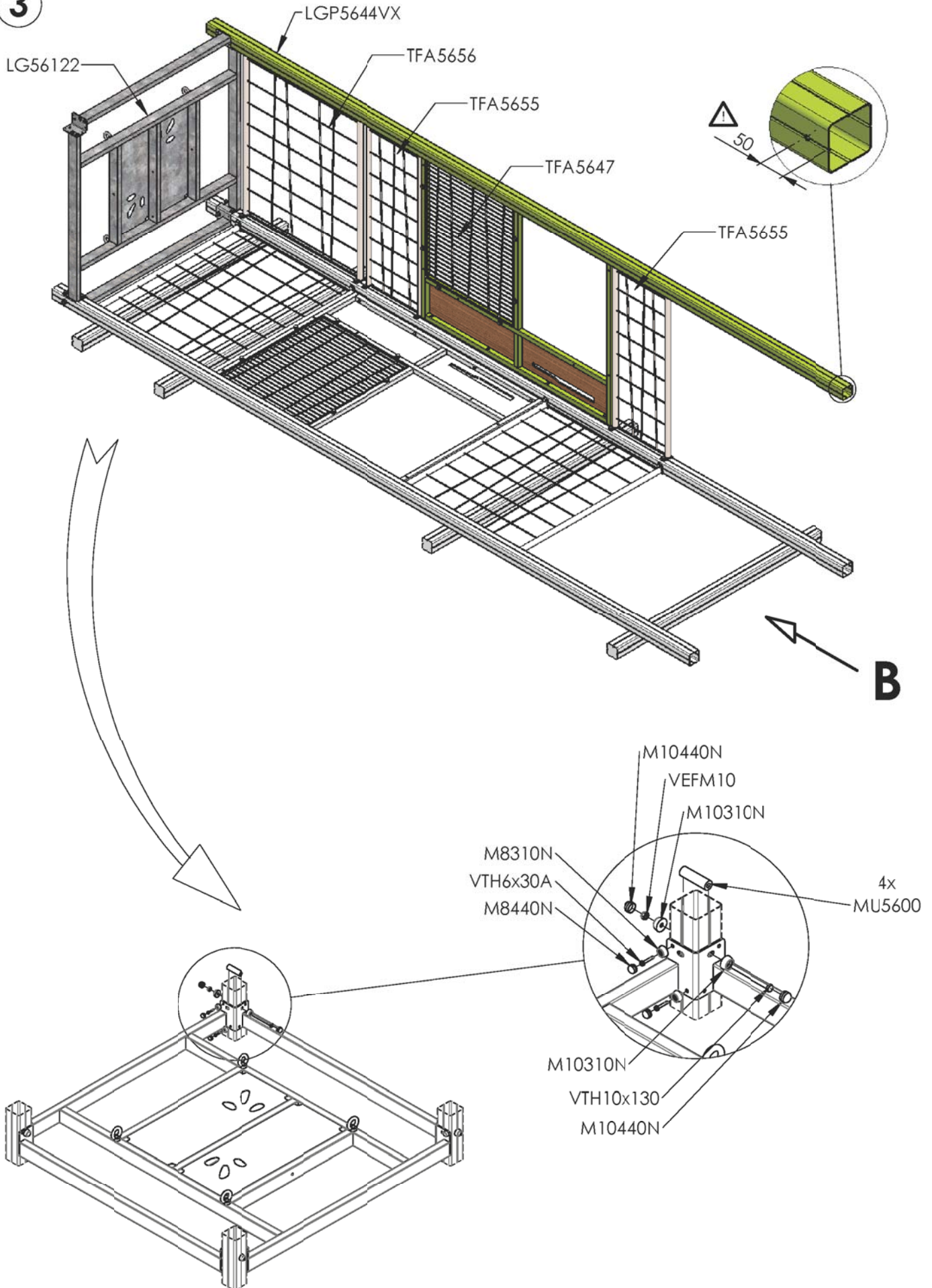
1



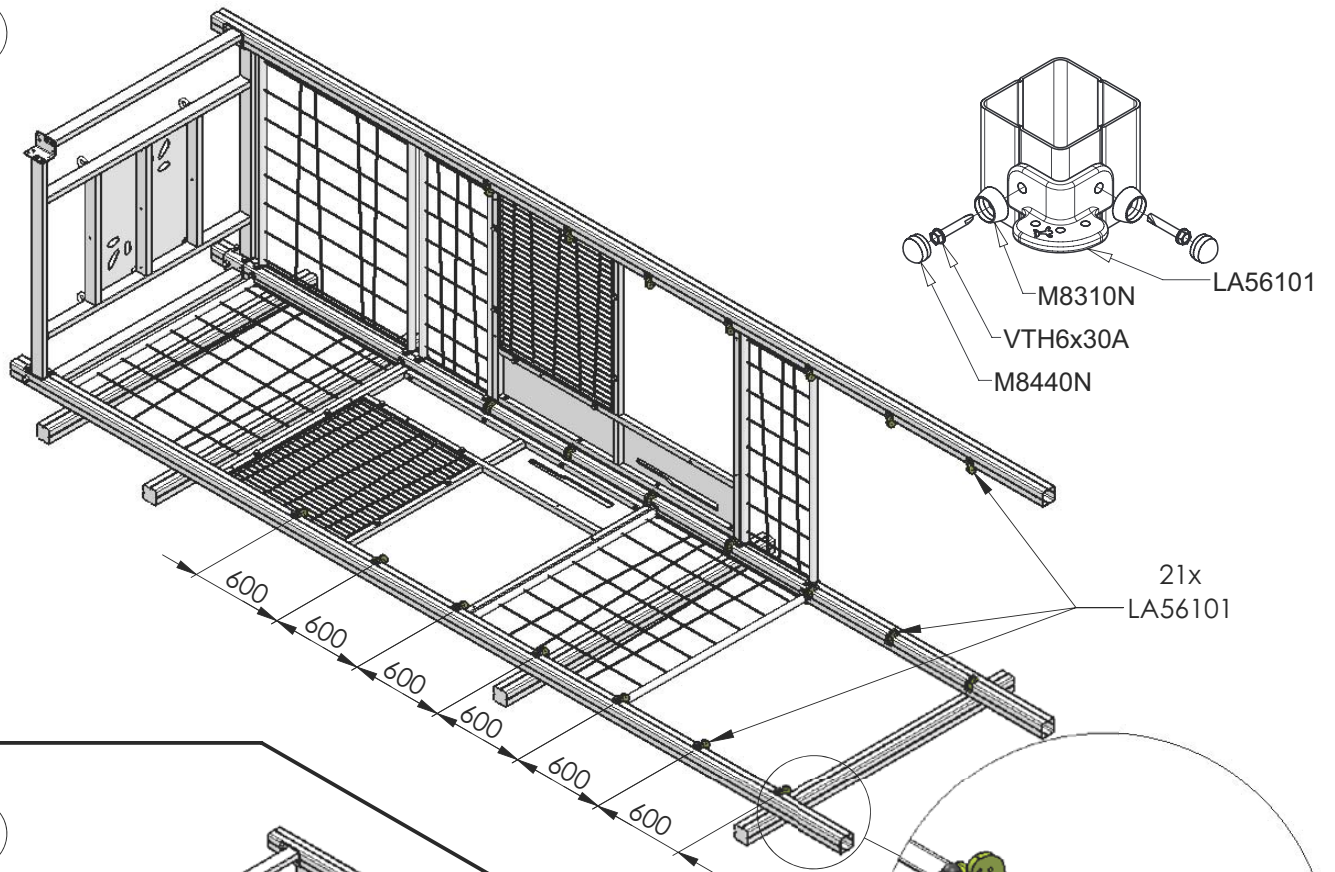
2



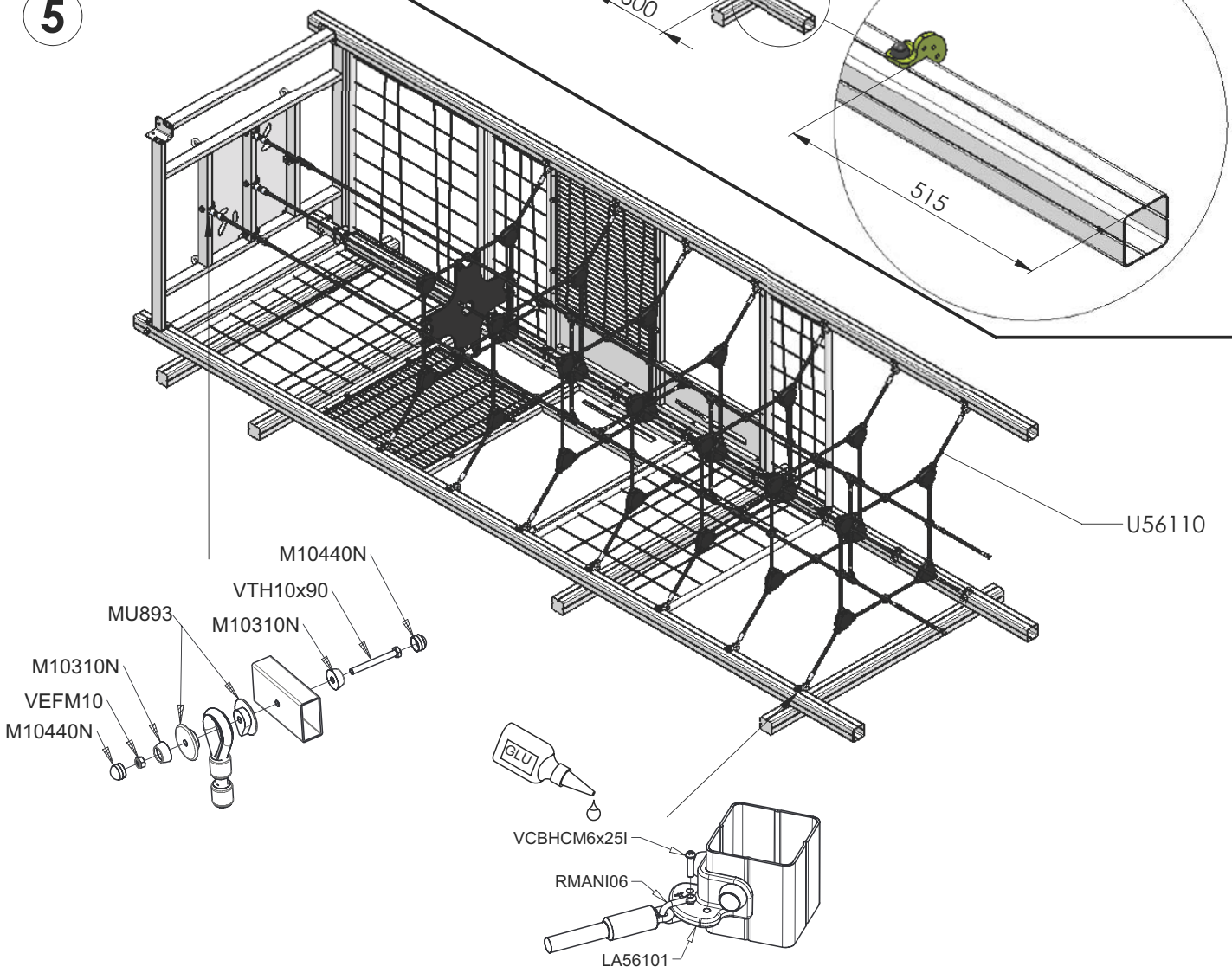
3



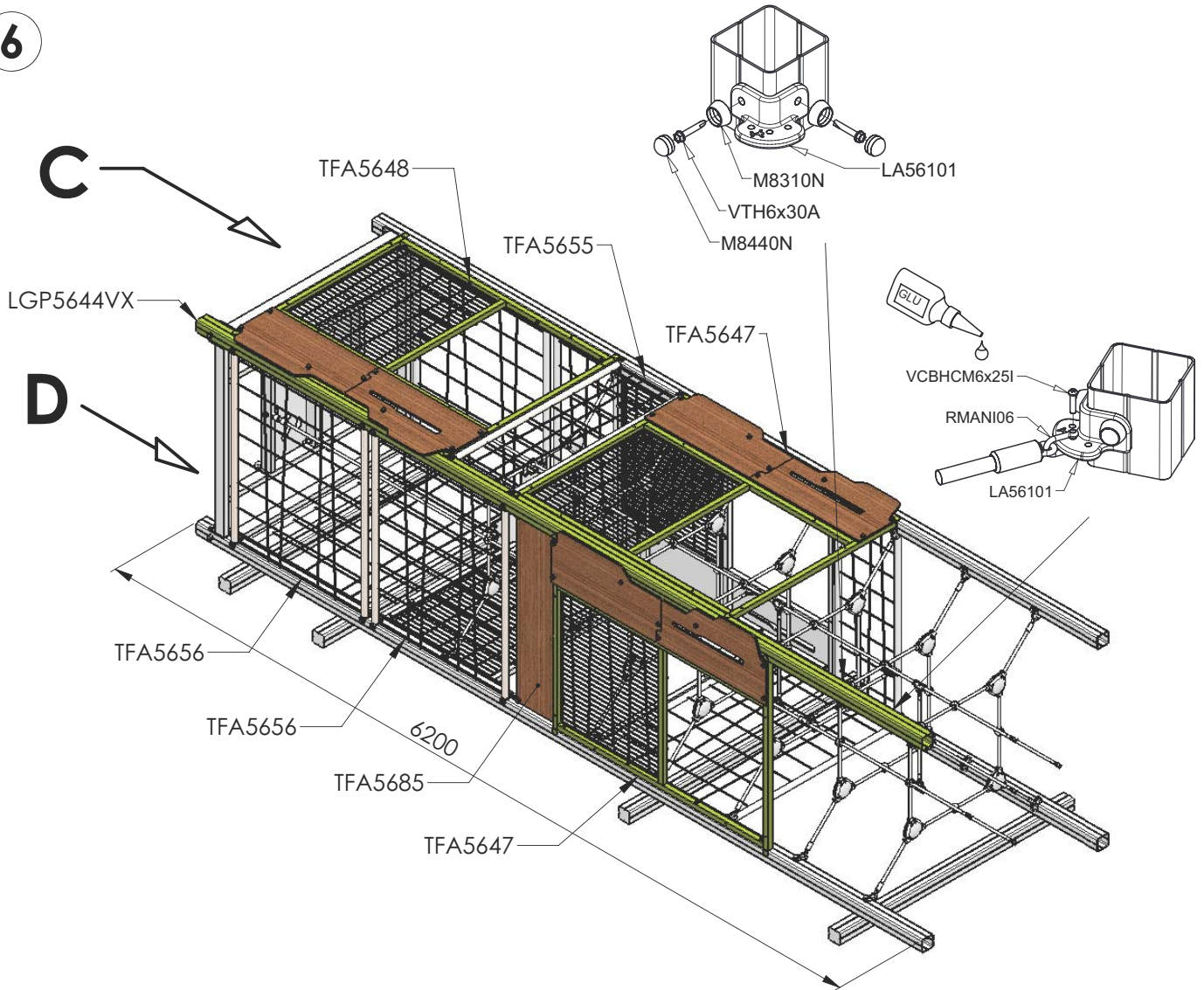
4



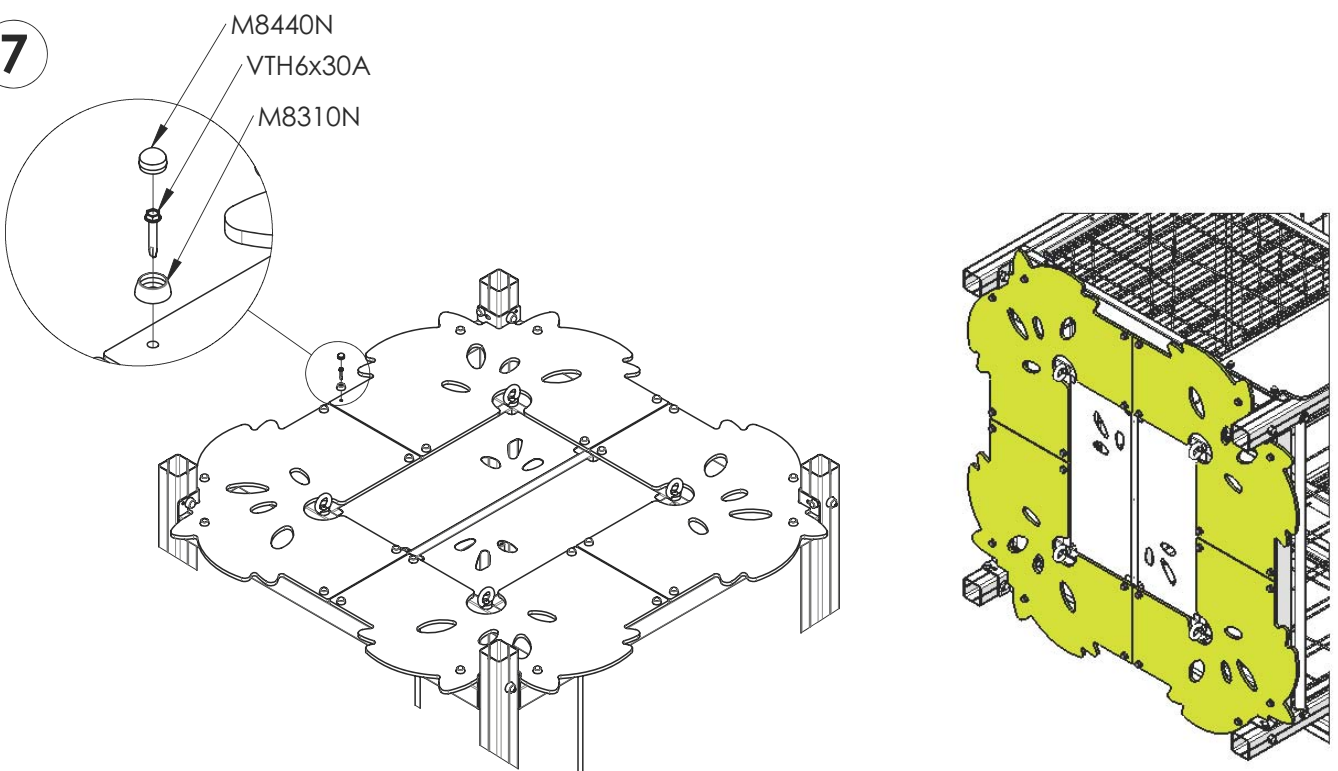
5

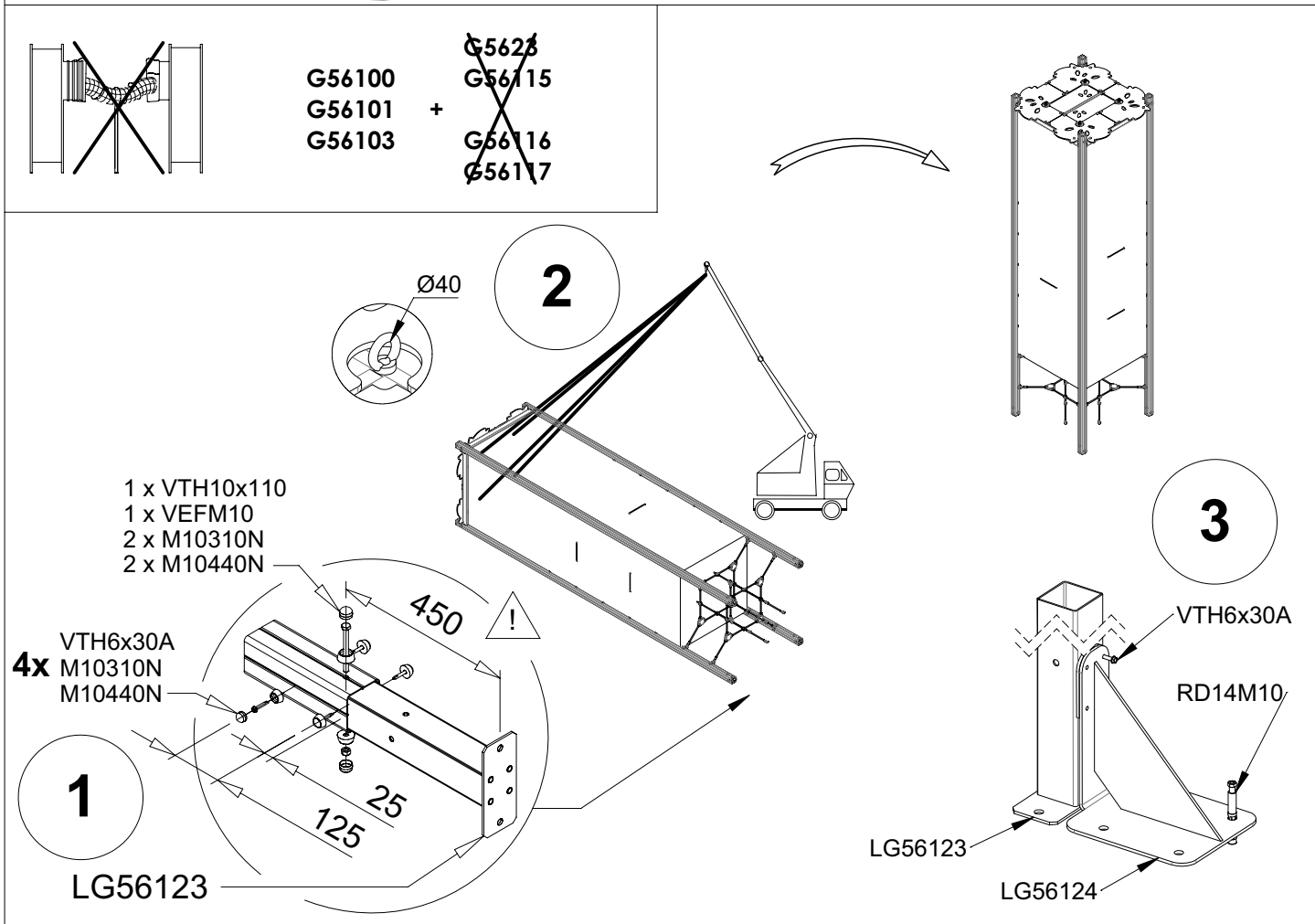
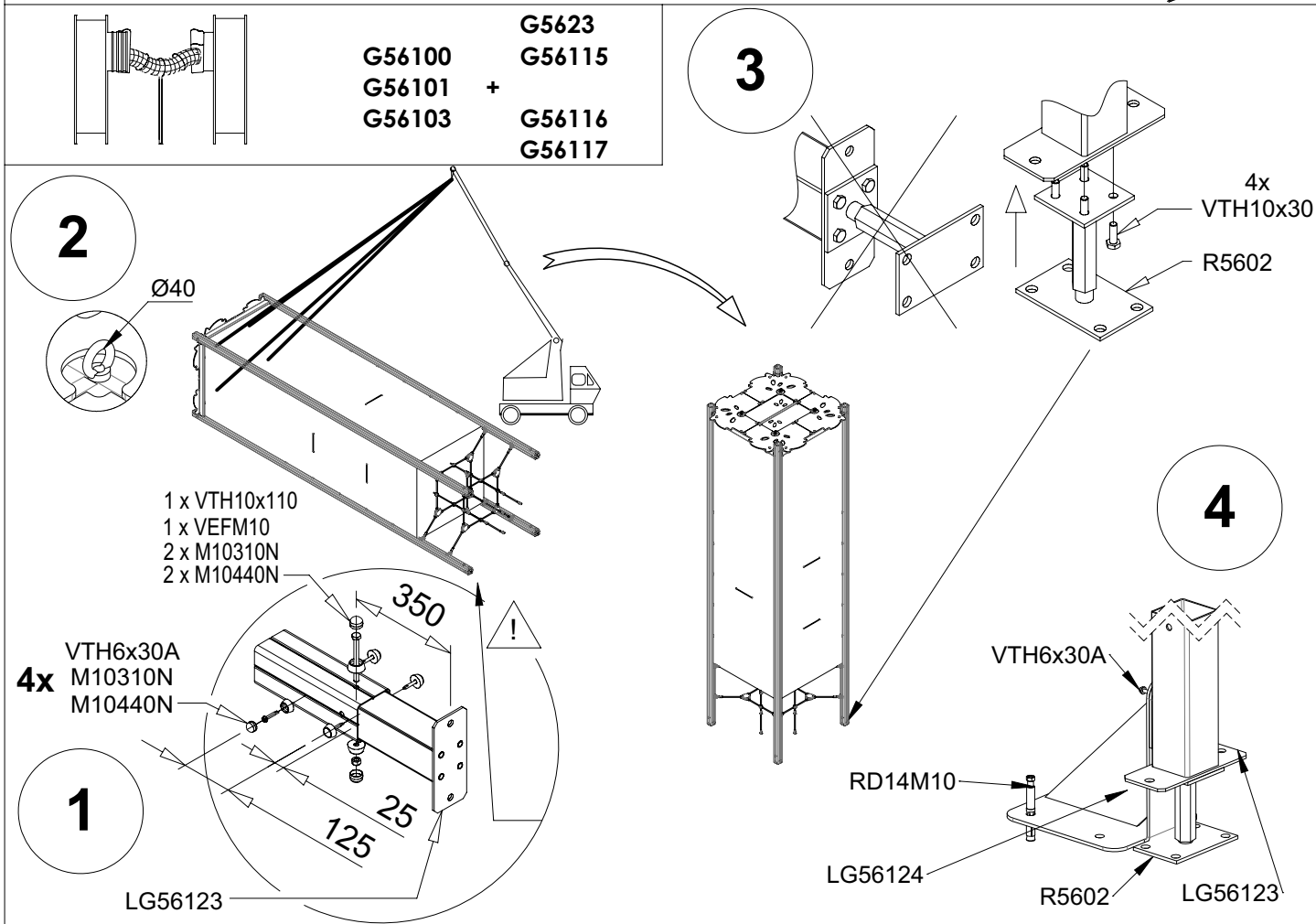


6

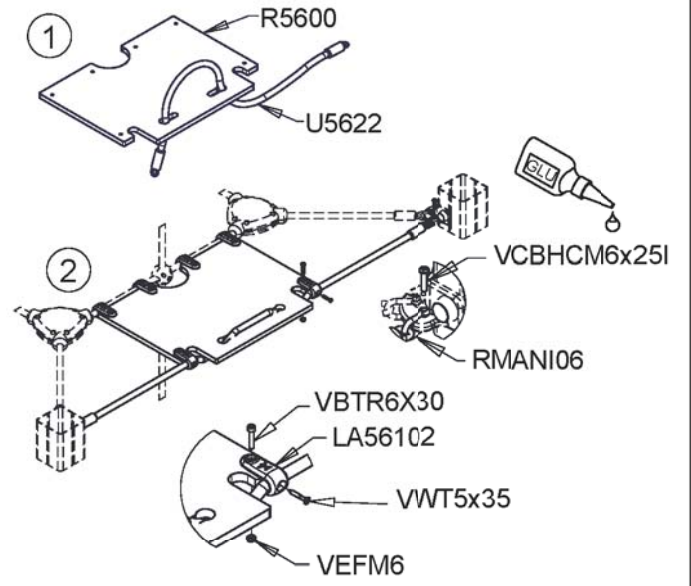
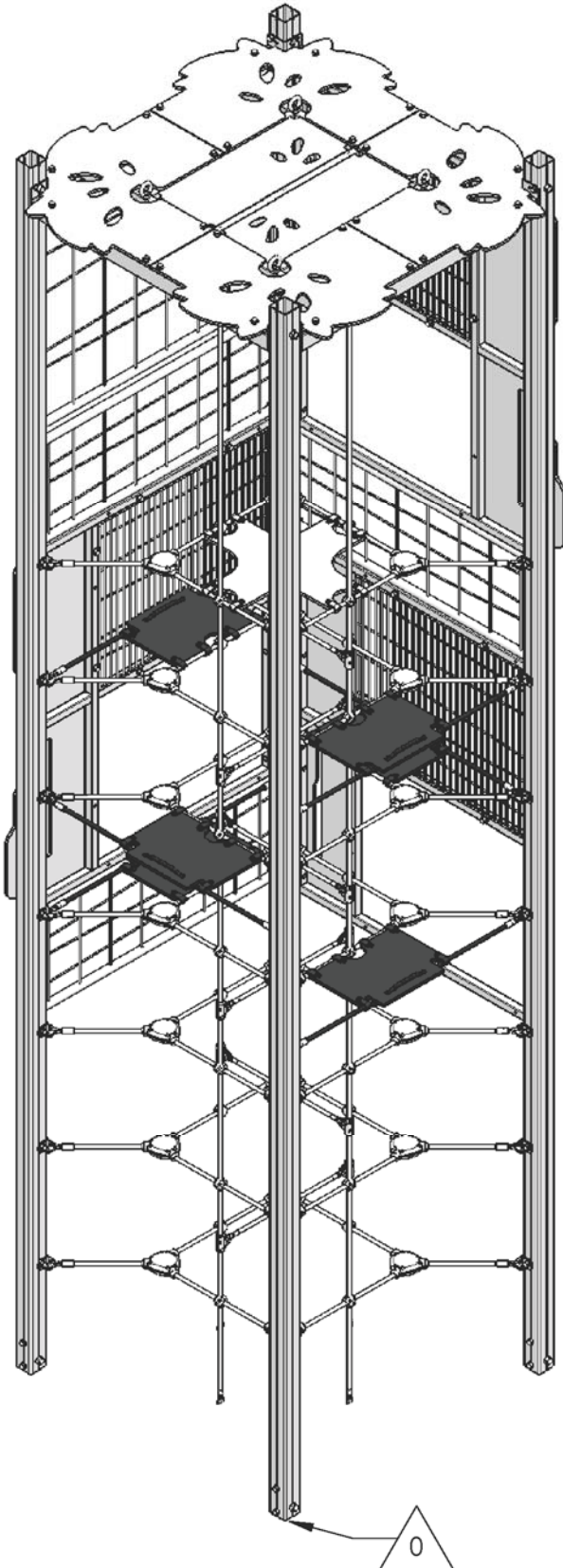


7

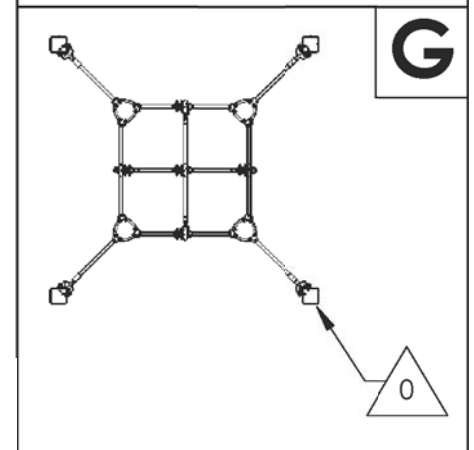
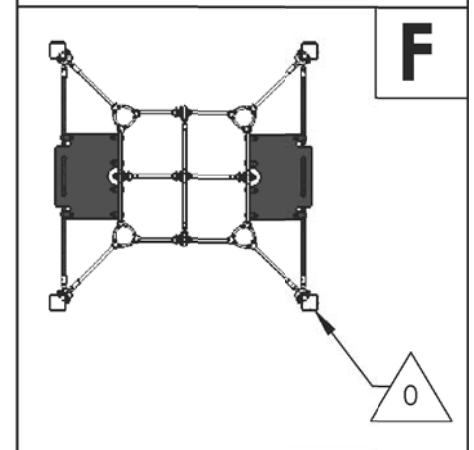
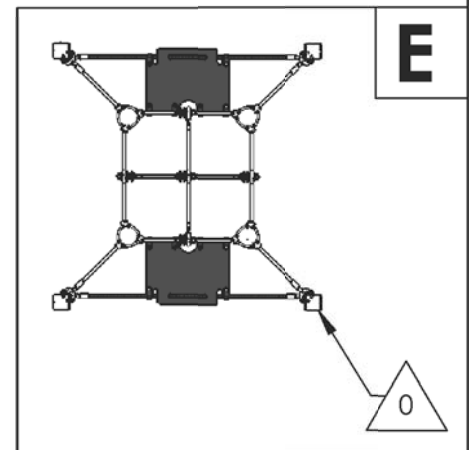




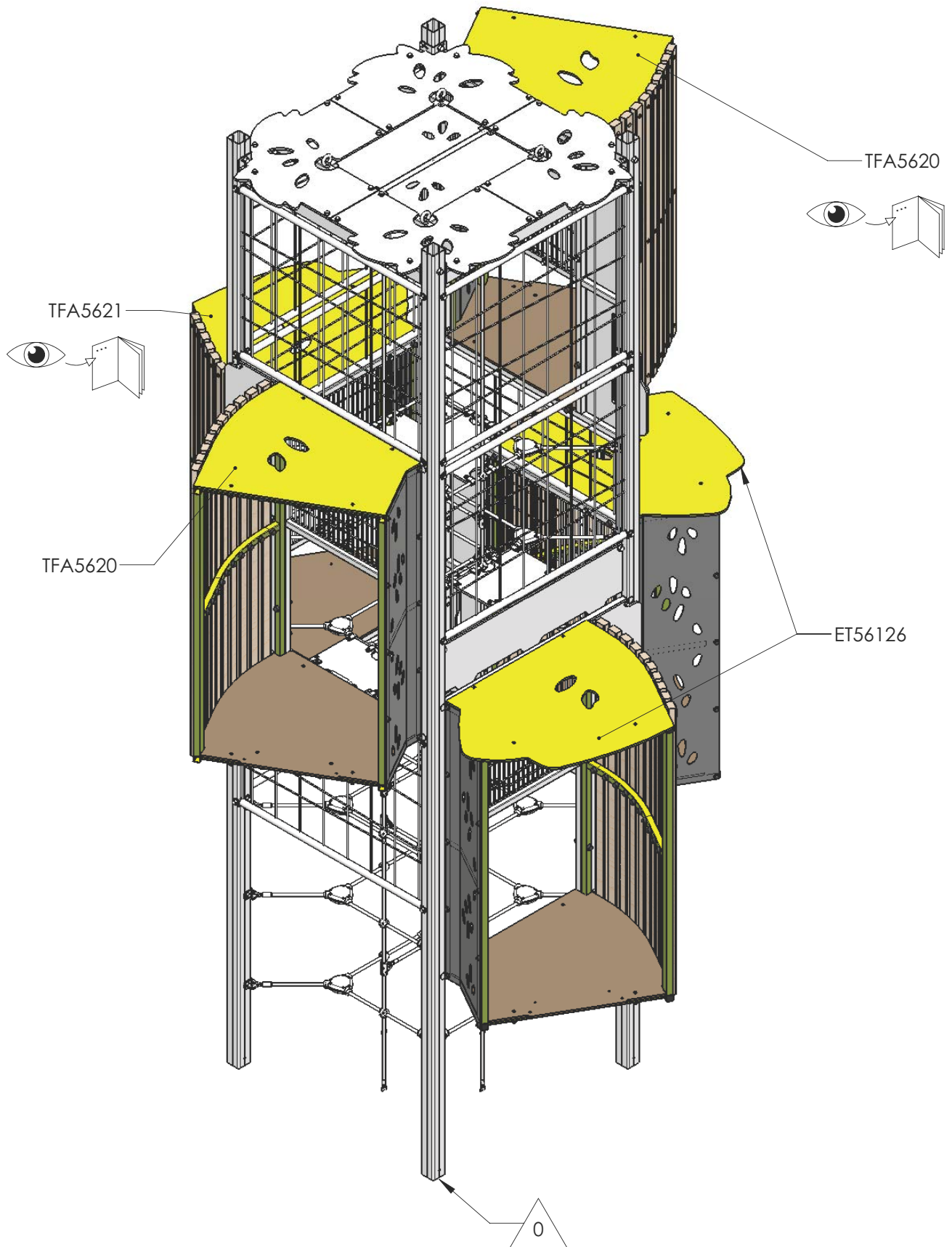
9



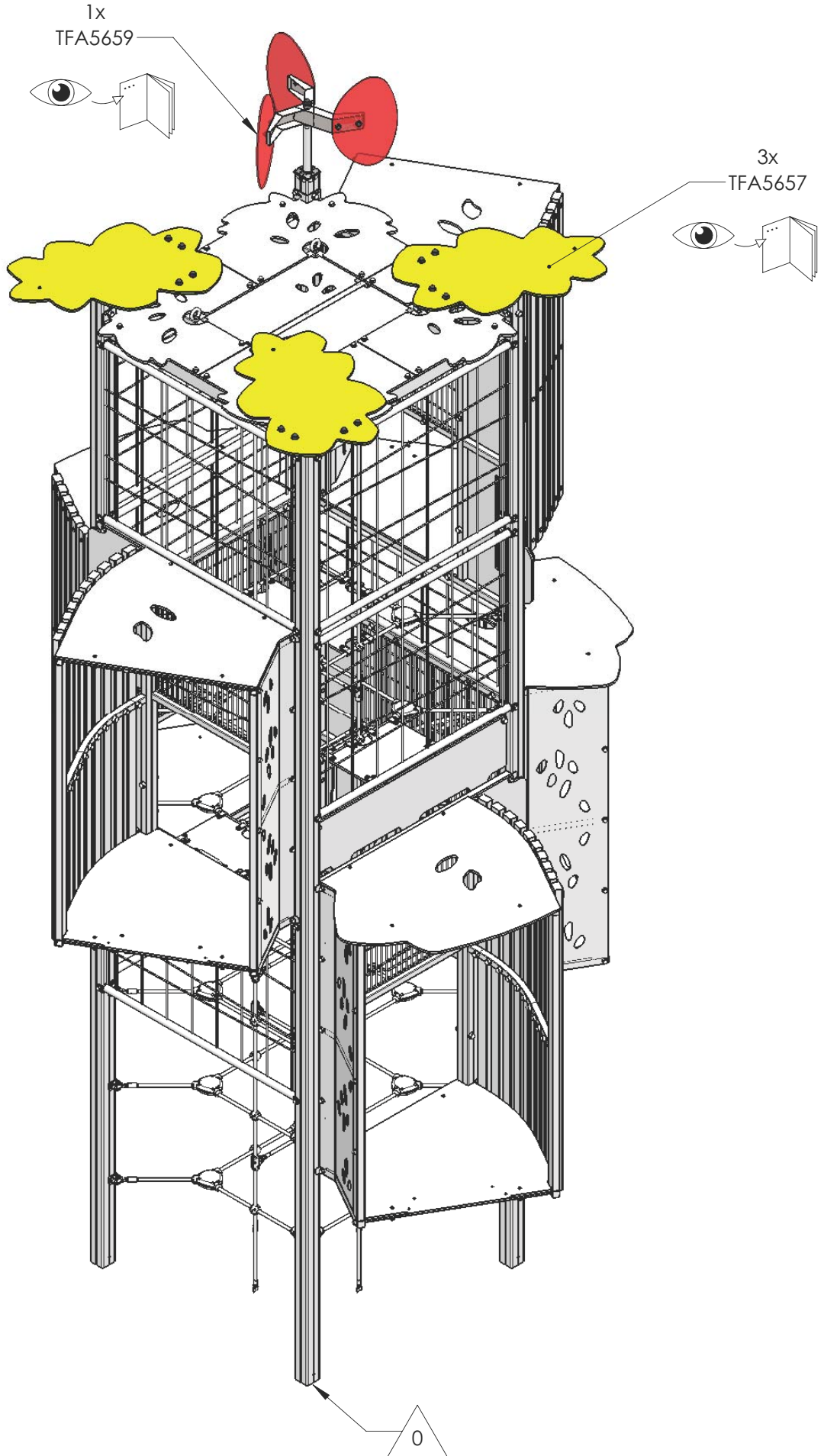
- 7 => **G**
- 6 => **F**
- 5 => **E**
- 4 => **F**
- 3 => **G**
- 2 => **G**
- 1 => **G**



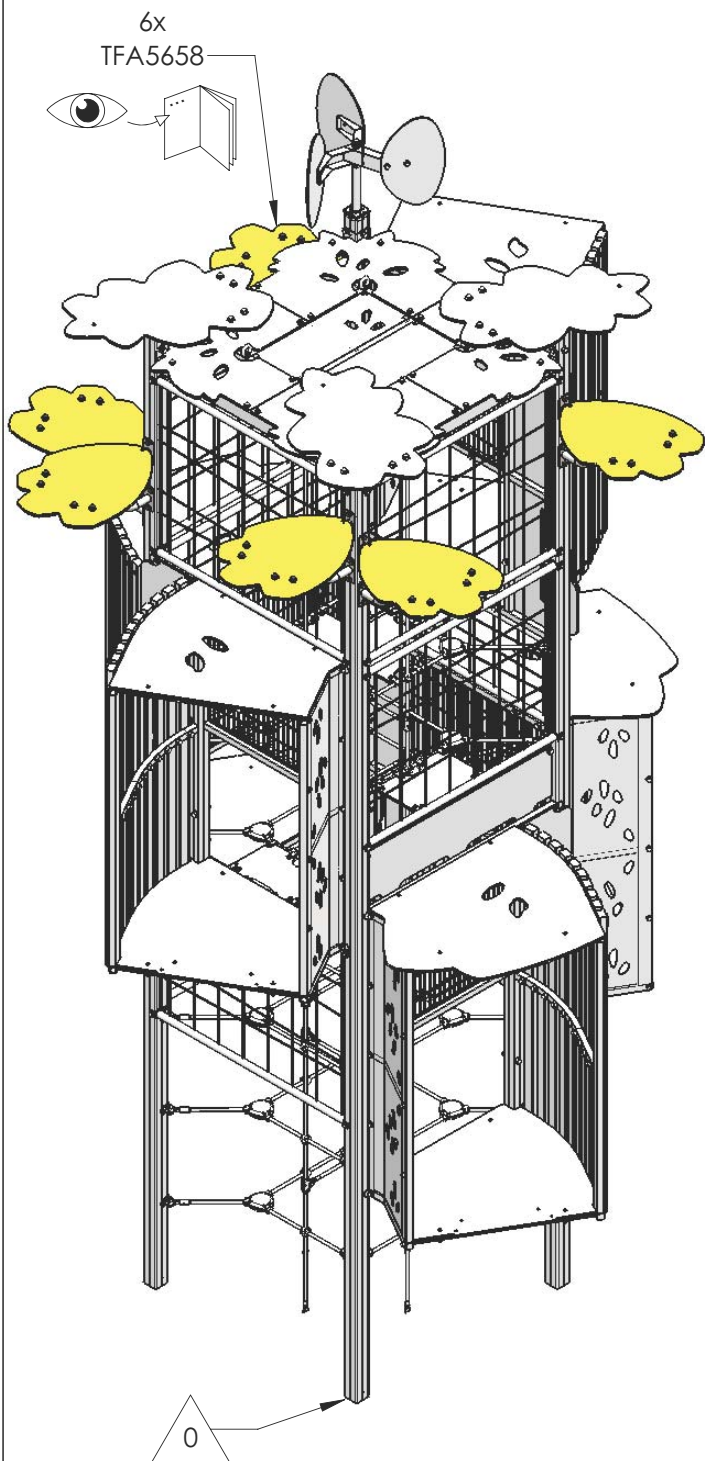
10



11



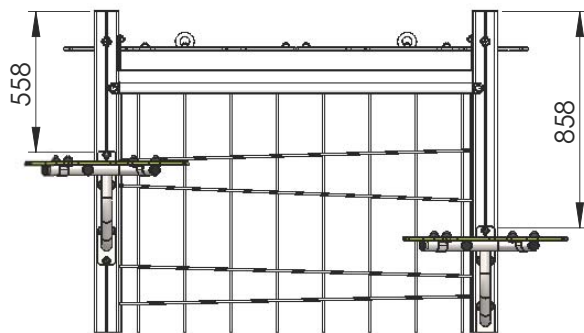
12



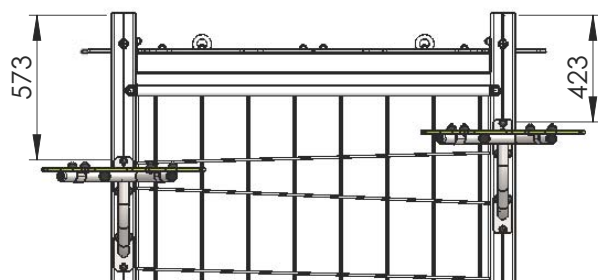
A

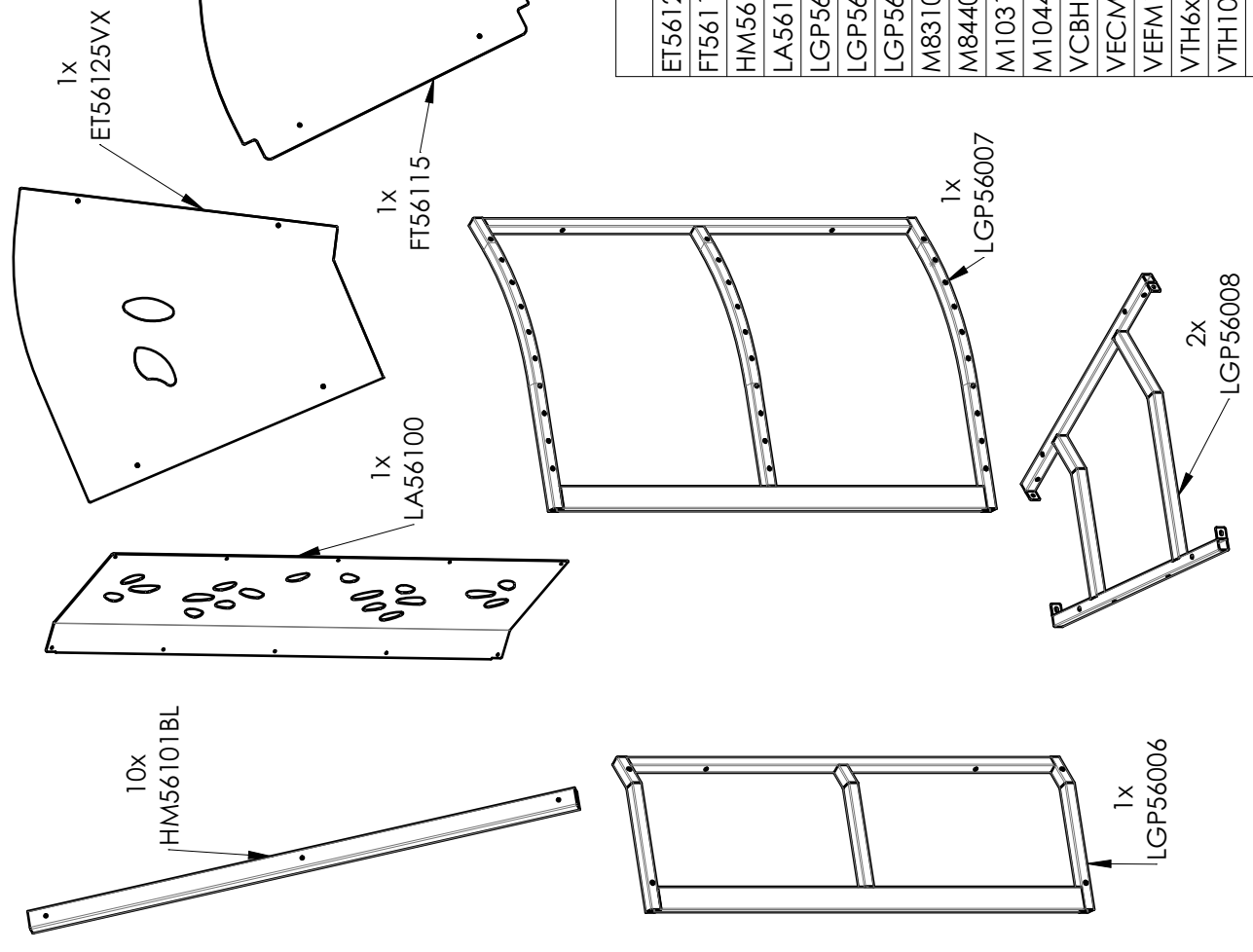
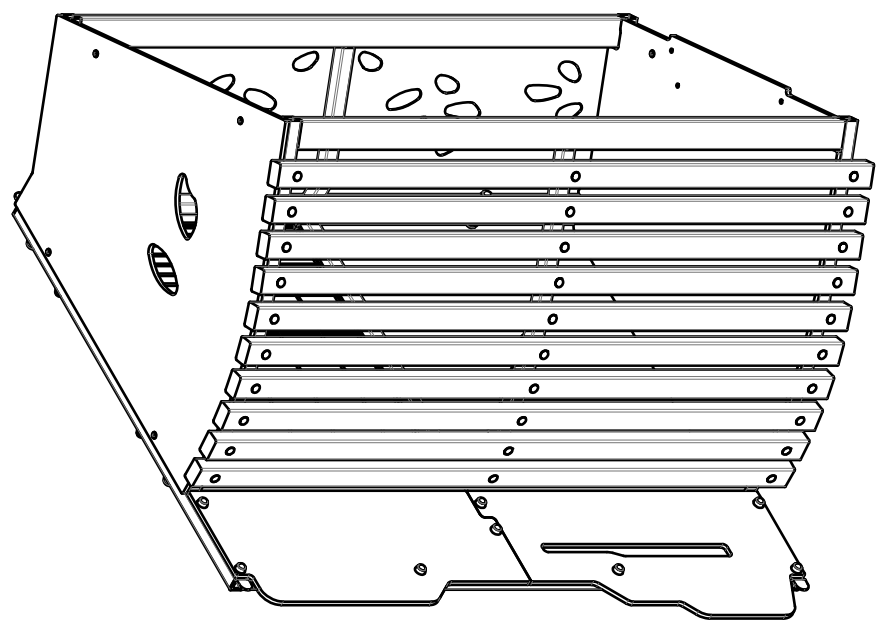


B

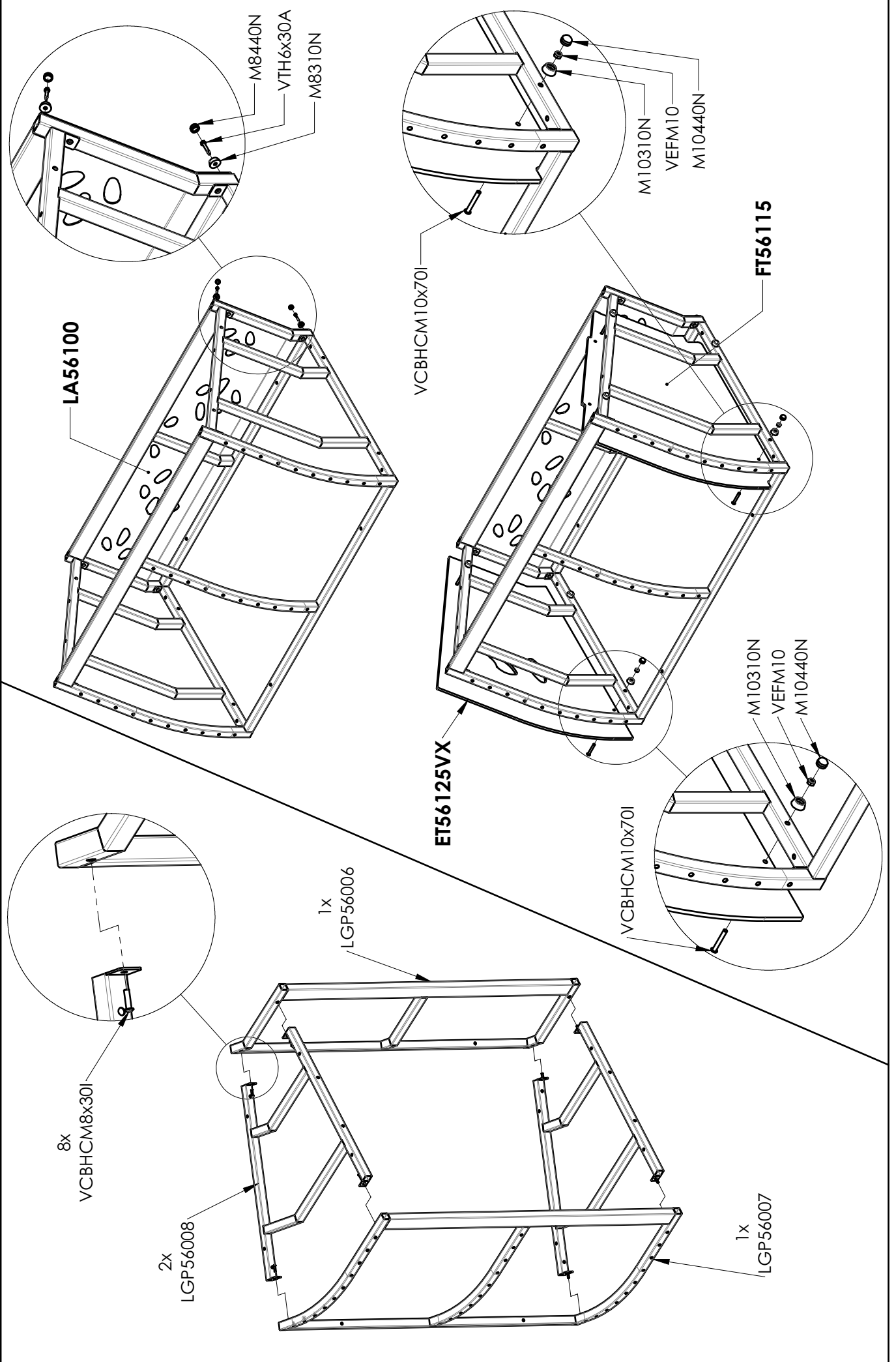


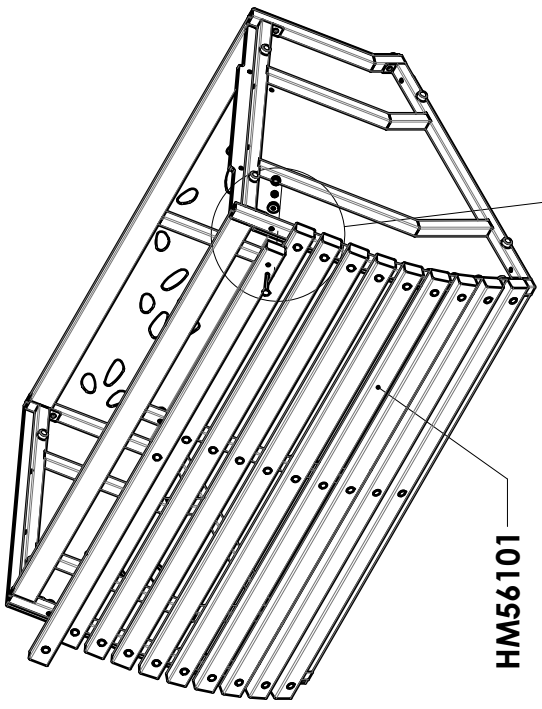
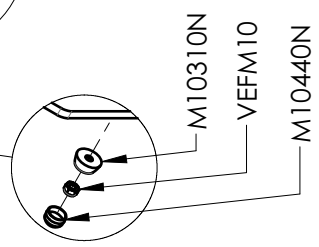
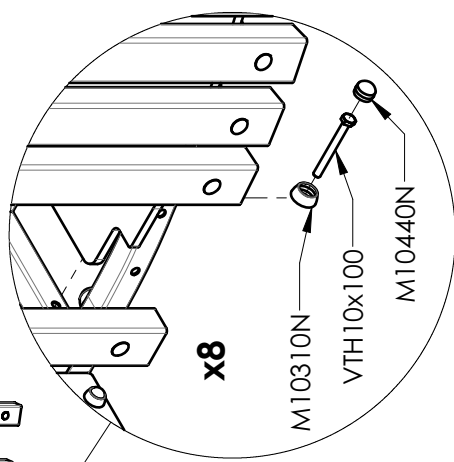
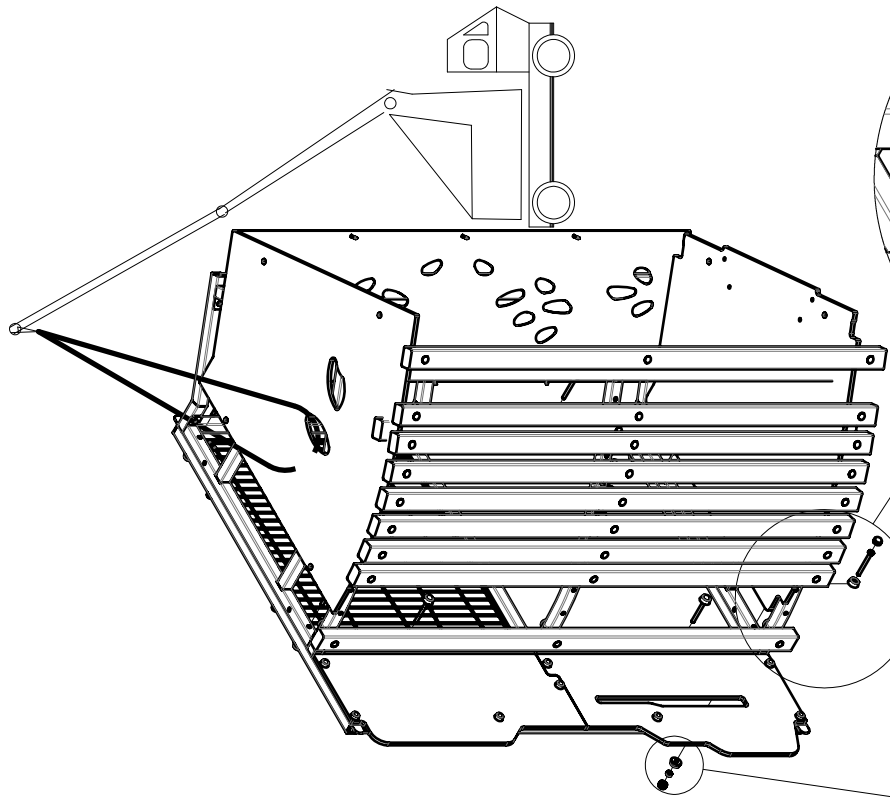
D



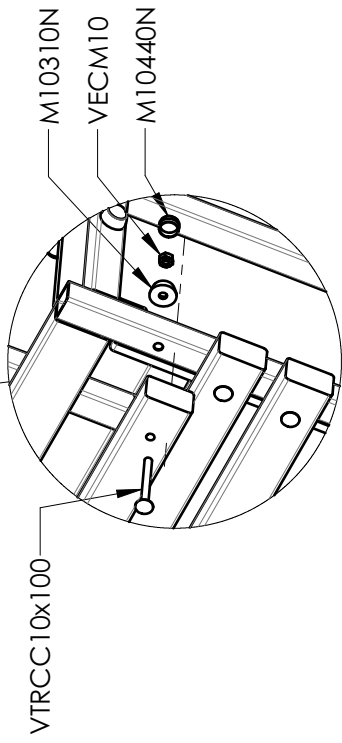


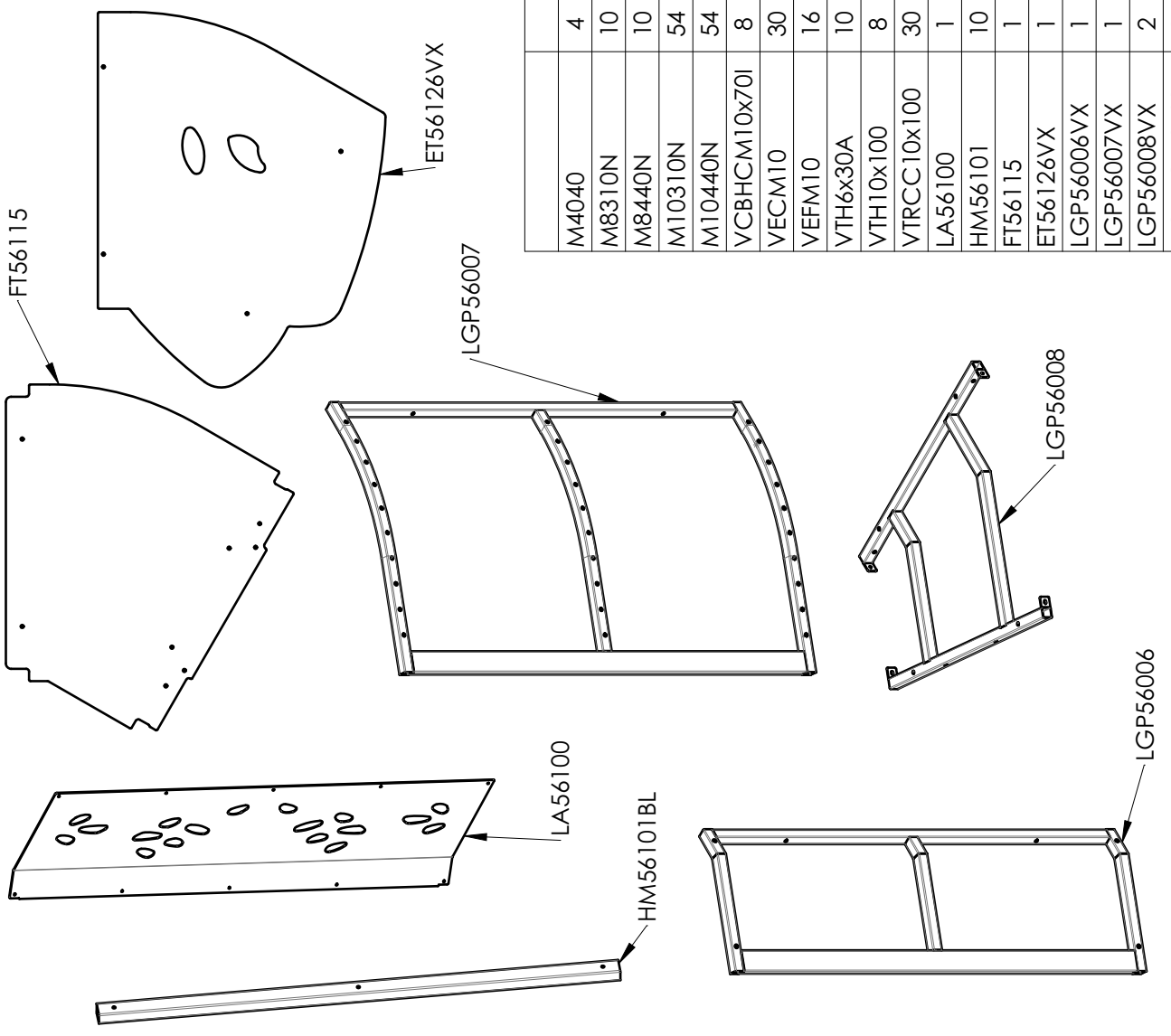
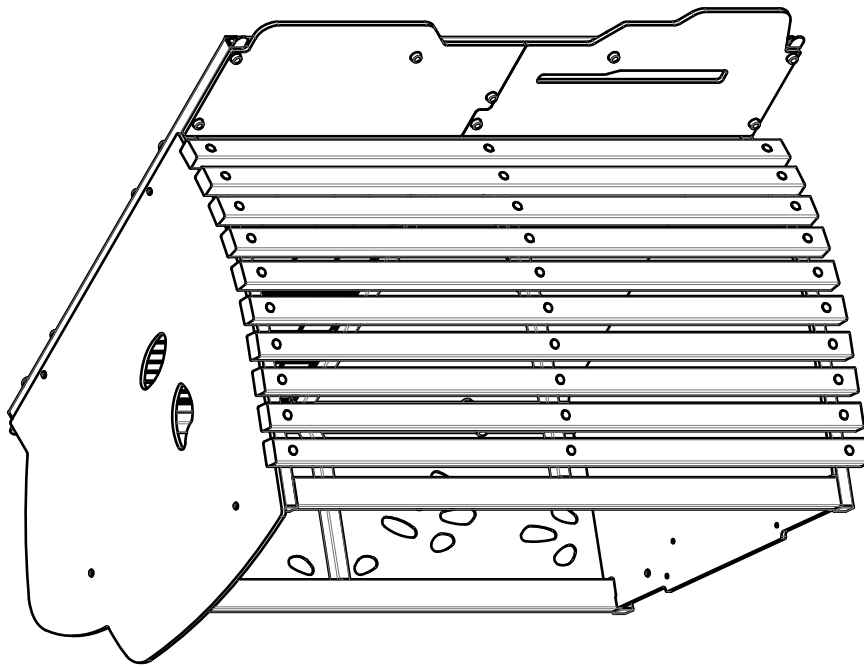
ET56125VX	1
FT56115	1
HM56101	10
LA56100	1
LGP56006VX	1
LGP56007VX	1
LGP56008VX	2
M8310N	10
M8440N	10
M10310N	54
M10440N	54
VCBHC M10x70I	8
VECM10	30
VEFM10	16
VTH6x30A	10
VTH10x100	8
VTRCC10x100	30
VCBHC M8x30I	8



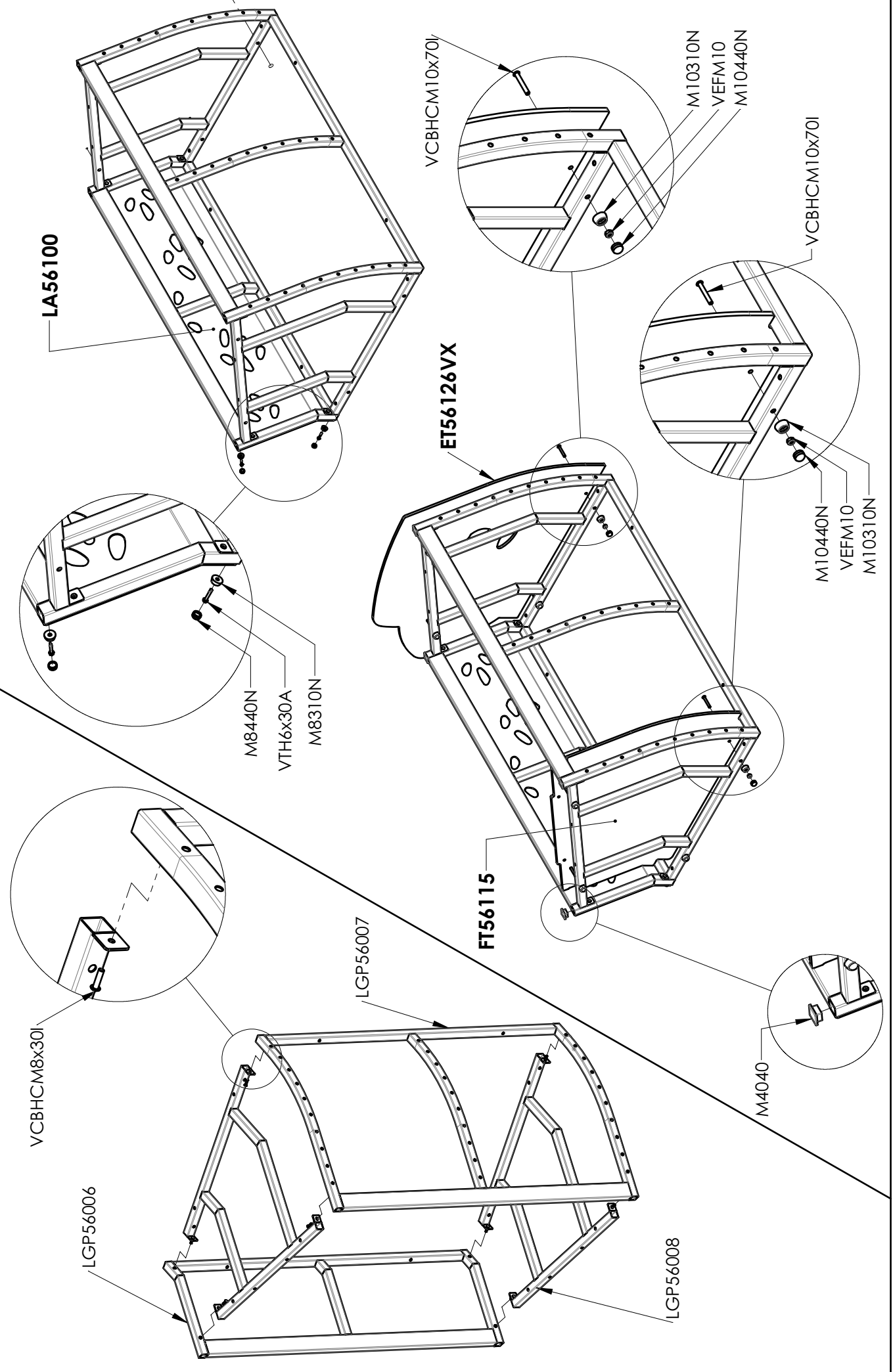


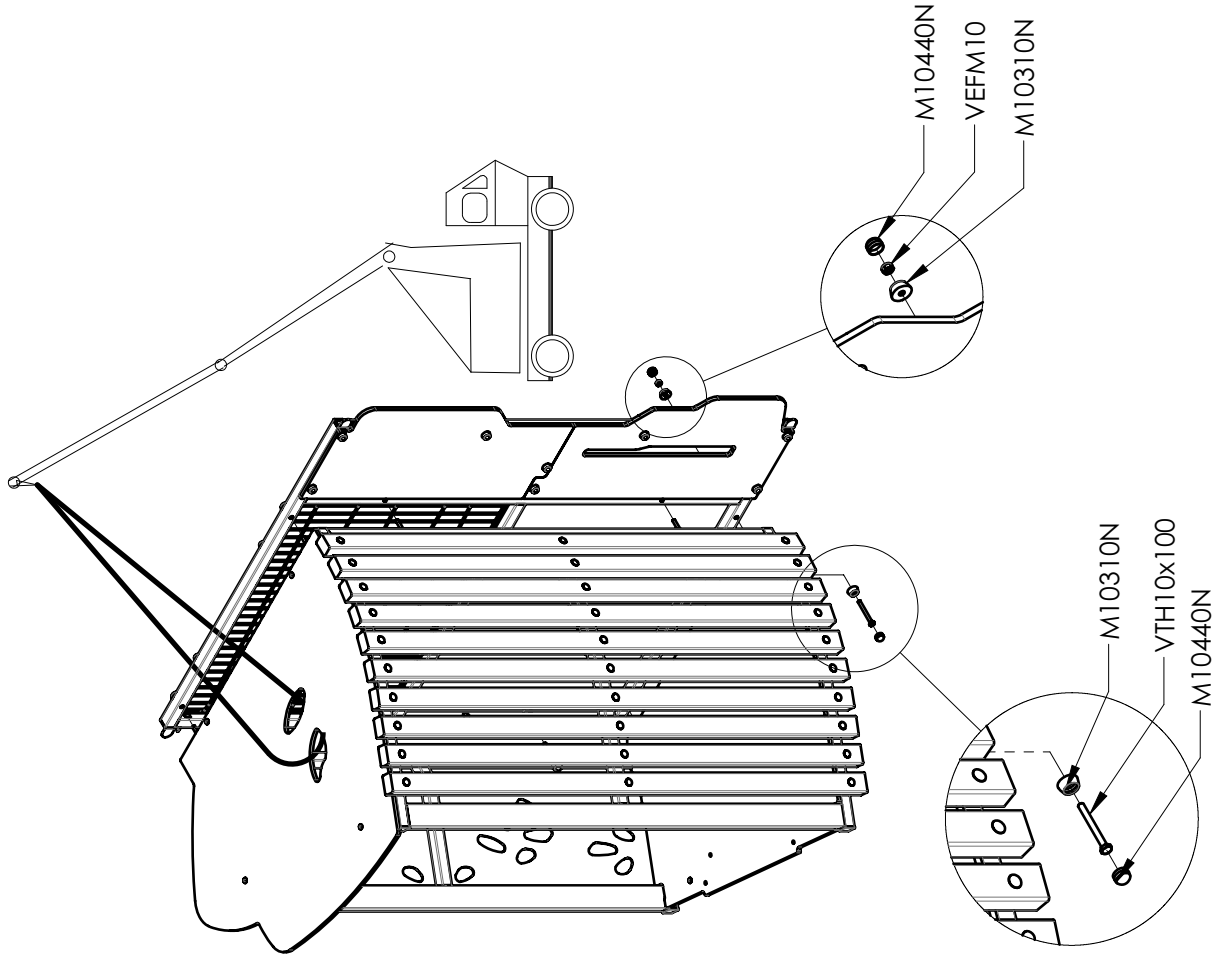
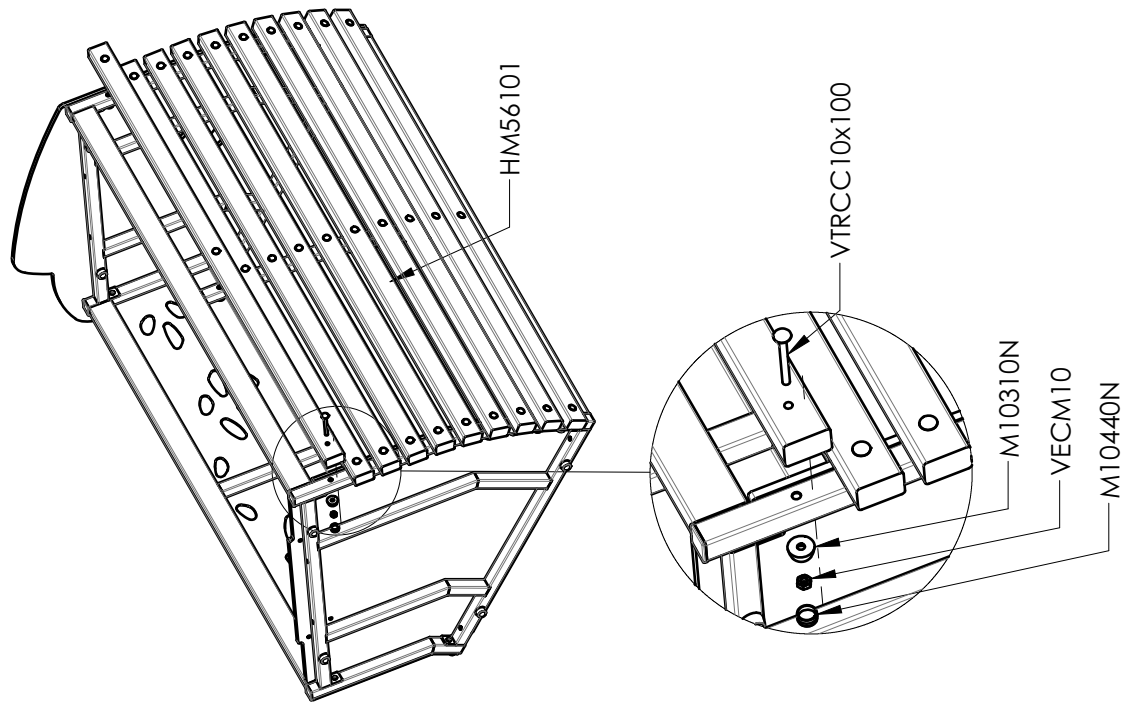
HM56101



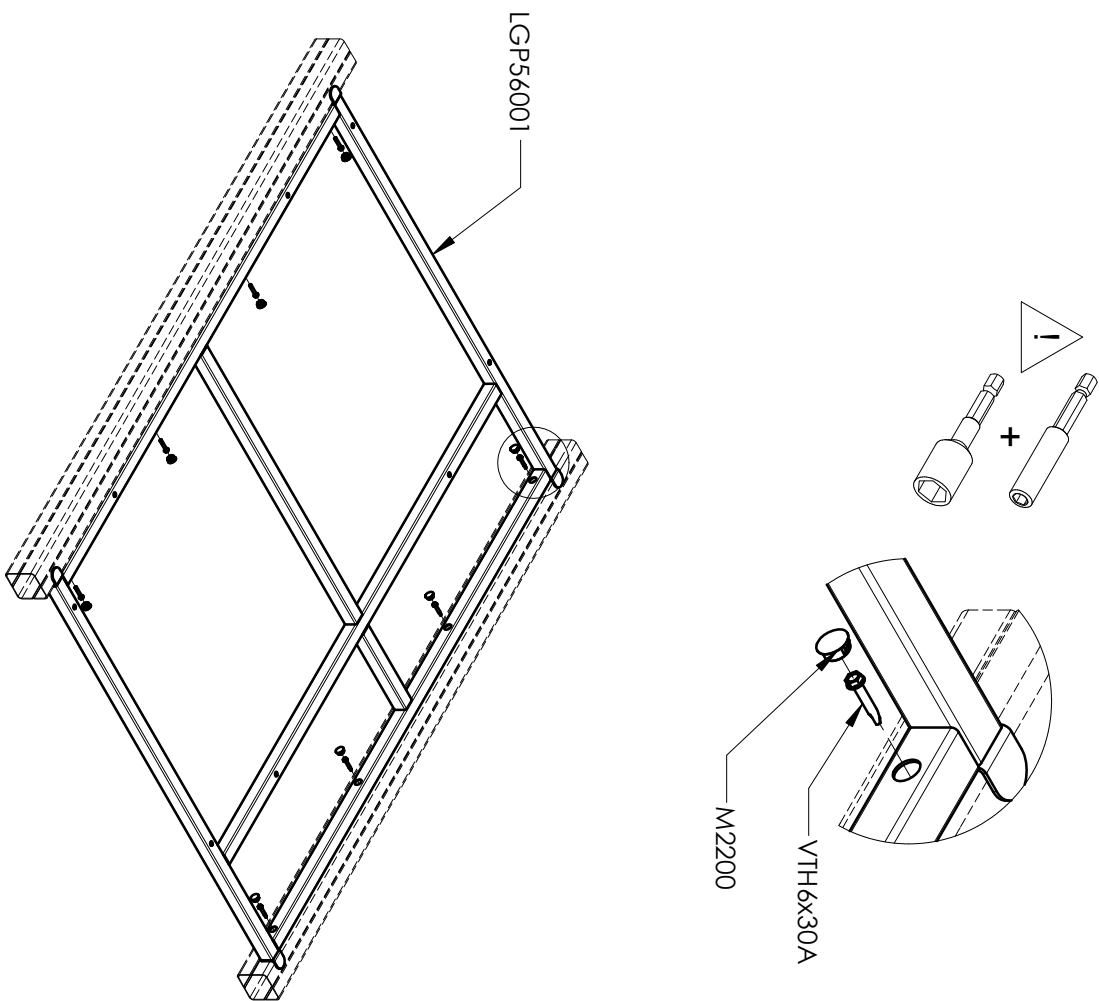


M4040	4
M8310N	10
M8440N	10
M10310N	54
M10440N	54
VCBHCM10x70I	8
VECM10	30
VEFM10	16
VTH6x30A	10
VTH10x100	8
VTRCC10x100	30
LA56100	1
HM56101	10
FT56115	1
ET56126VX	1
LGP56006VX	1
LGP56007VX	1
LGP56008VX	2
VCBHCM8x30I	8

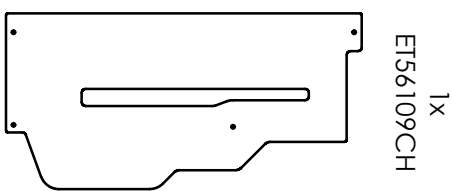




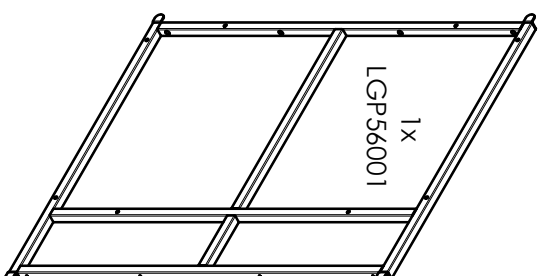
1



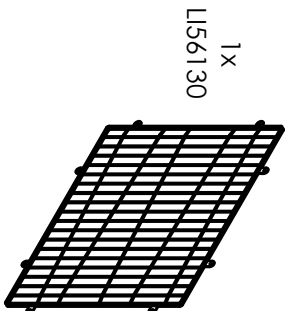
1x
ET56121CH



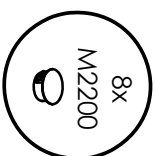
1x
ET56109CH



1x
LGP56001



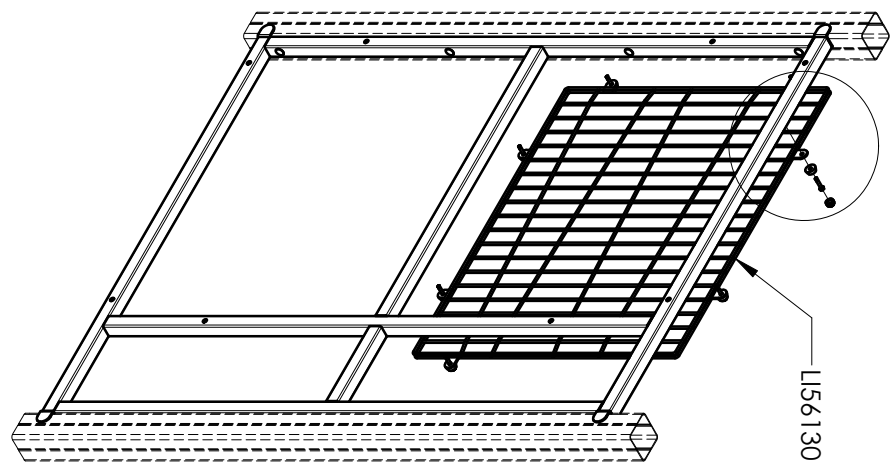
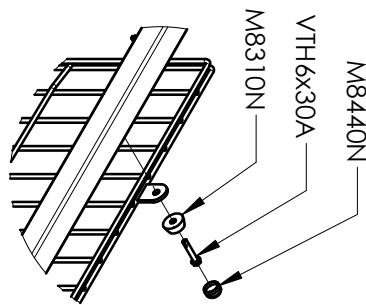
1x
LI56130



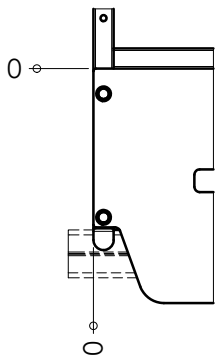
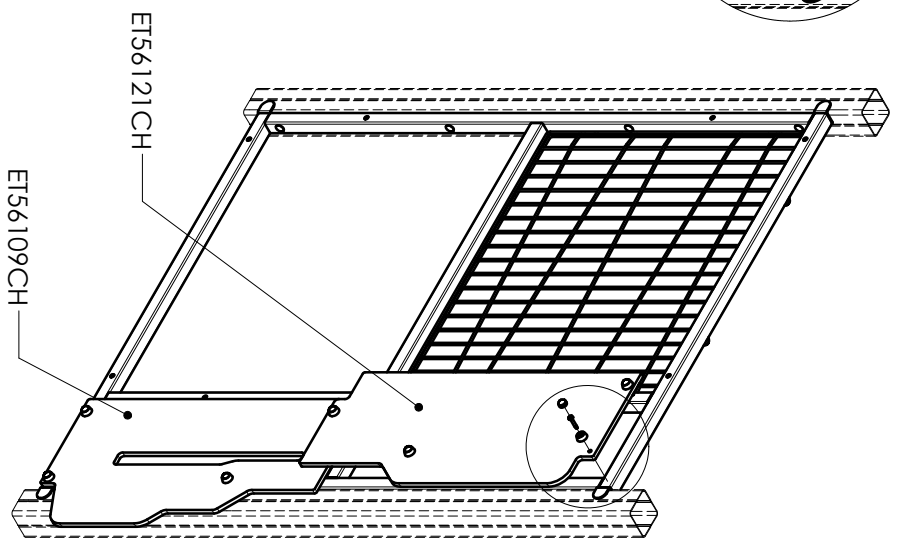
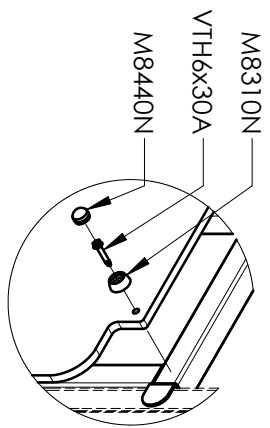
8x
M2200

ET56109CH	1
ET56121CH	1
LGP56001	1
LI56130	1
M2200	8
M8310N	16
M8440N	16
VTH6x30A	24

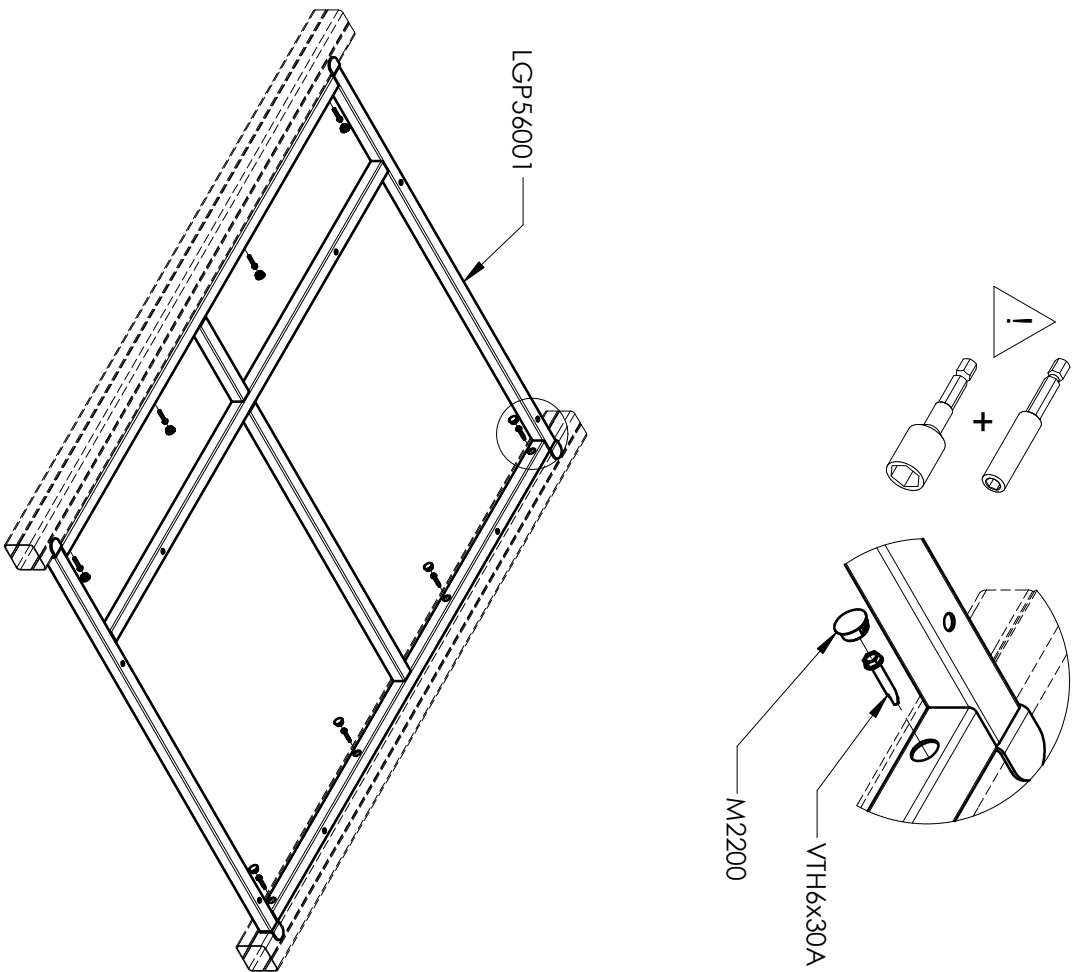
2



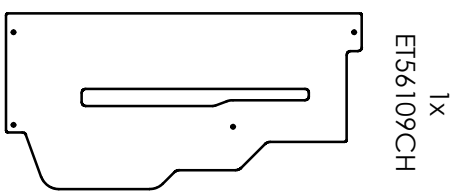
3



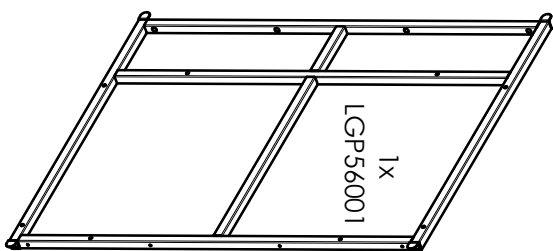
1



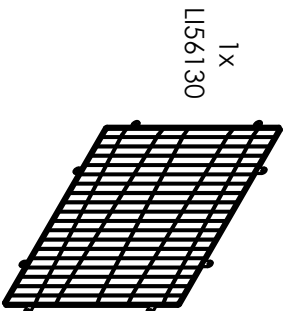
1x
ET56121CH



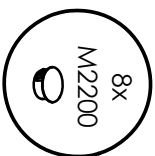
1x
ET56109CH



1x
LGP56001



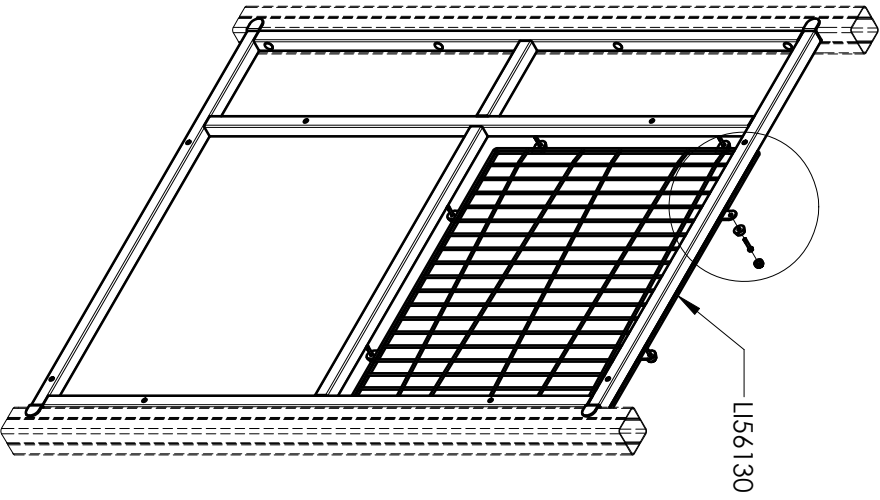
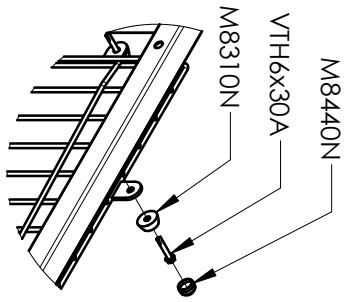
1x
LI56130



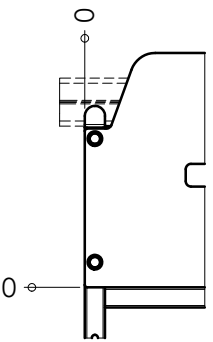
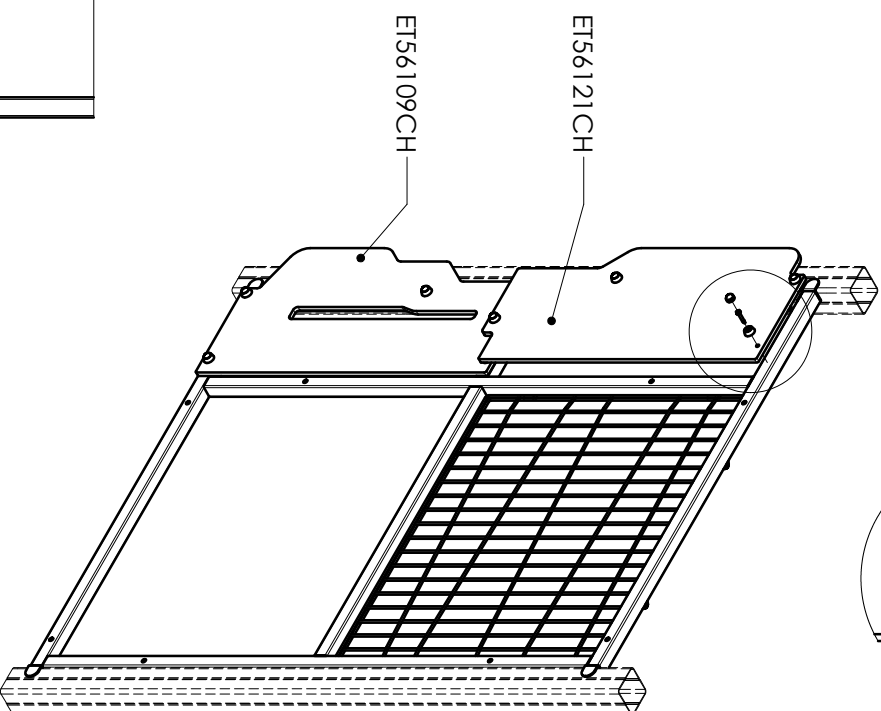
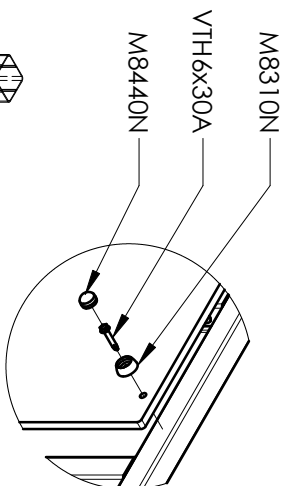
8x
M2200

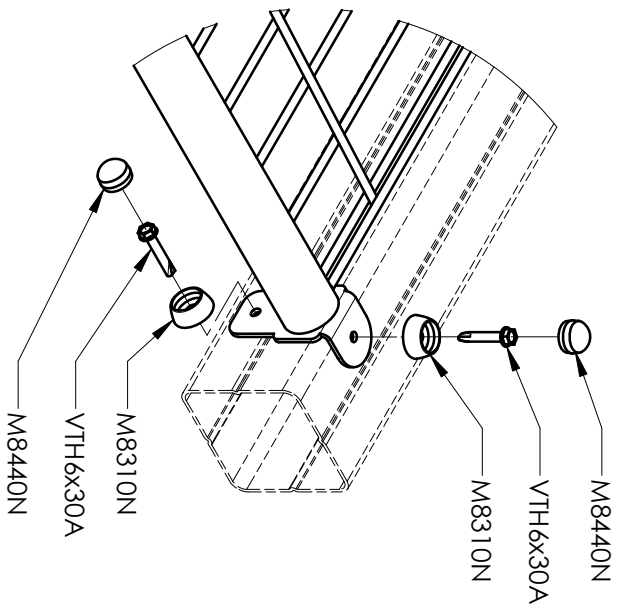
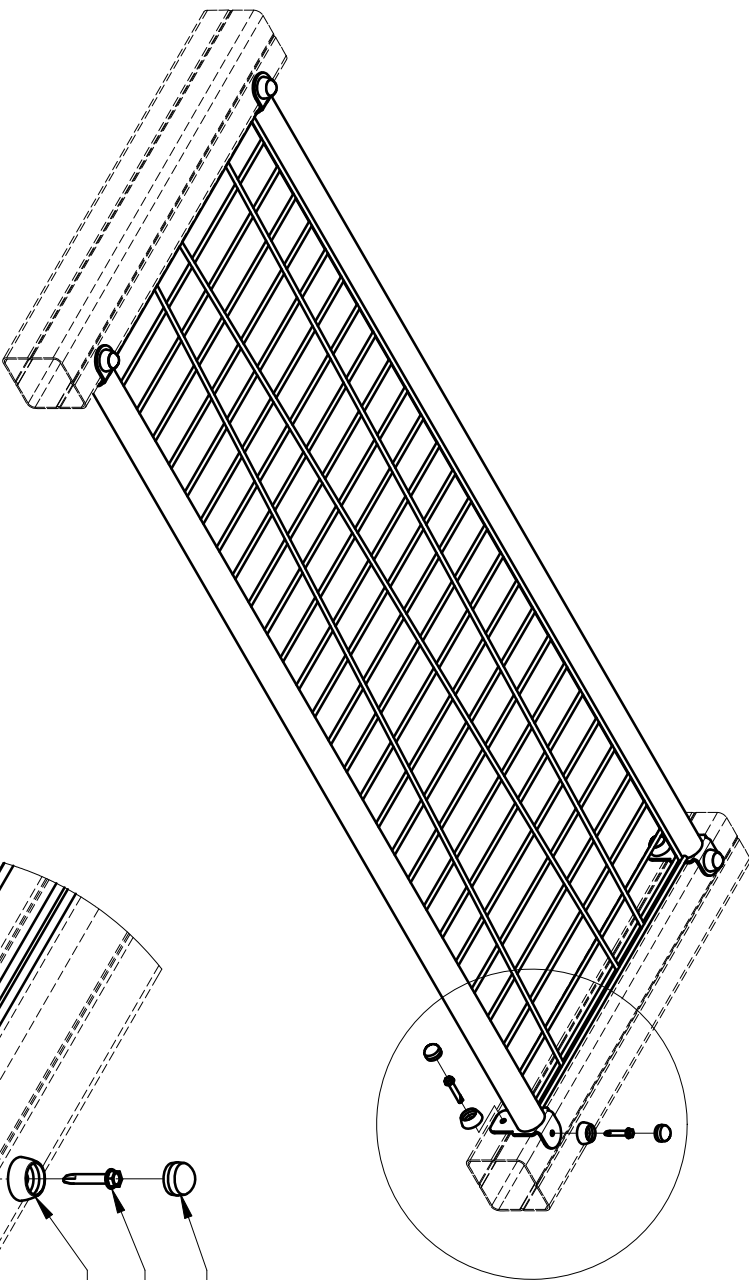
ET56109CH	1
ET56121CH	1
LGP56001	1
LI56130	1
M2200	8
M8310N	16
M8440N	16
VTH6x30A	24

2

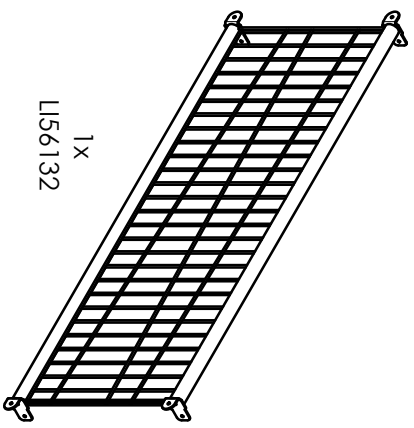


3



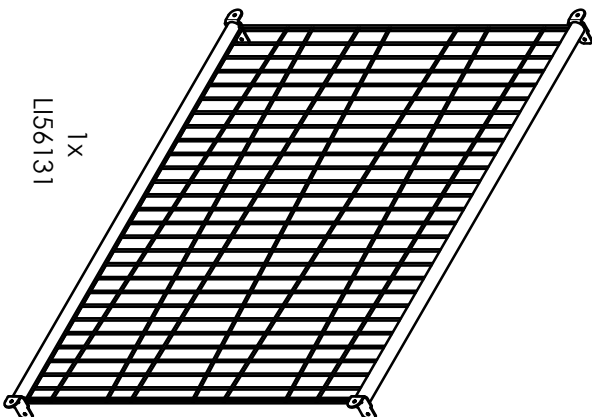
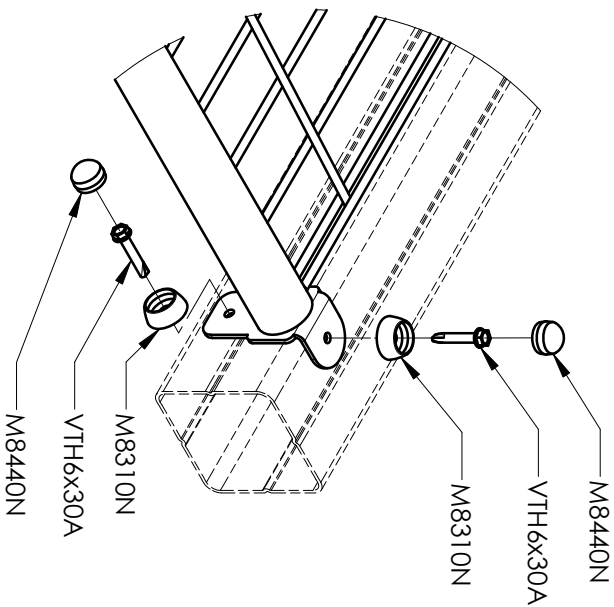
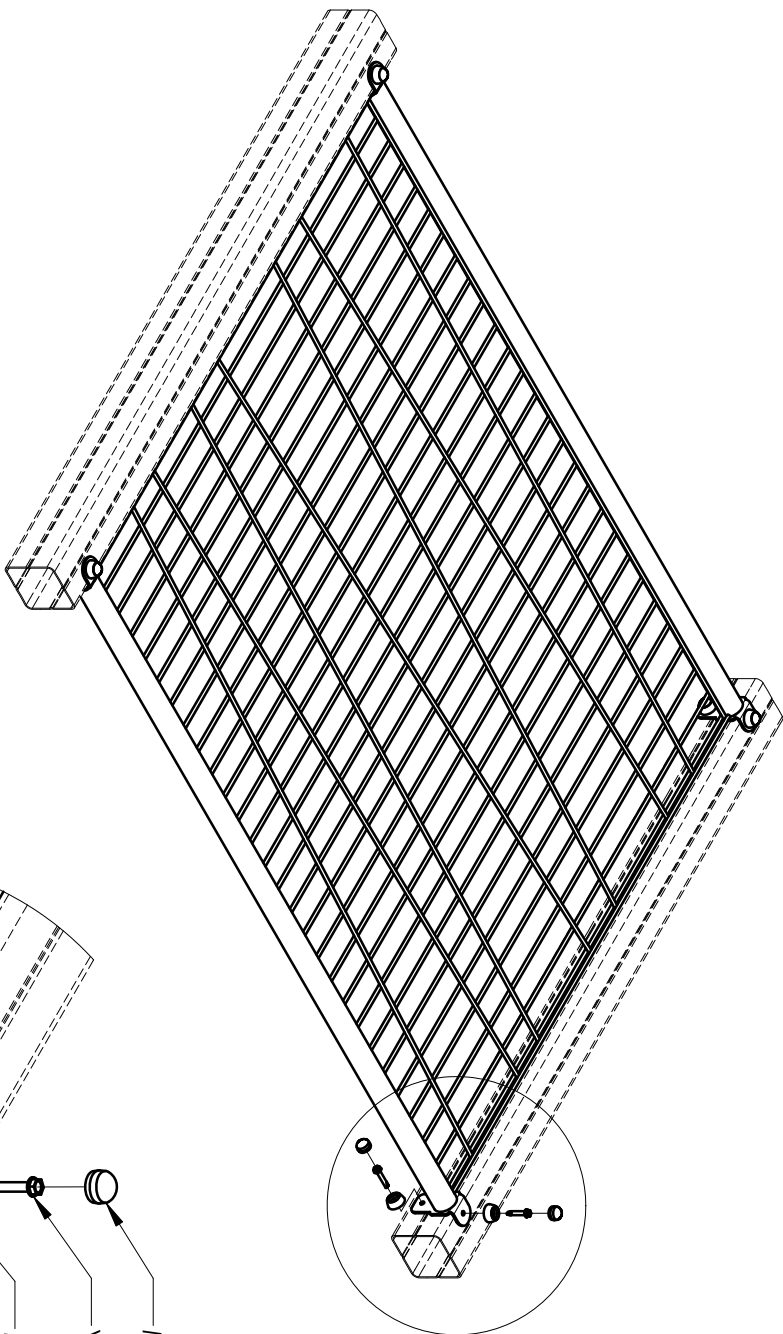


M8440N
VTH6x30A
M8310N
M8440N
VTH6x30A
M8310N



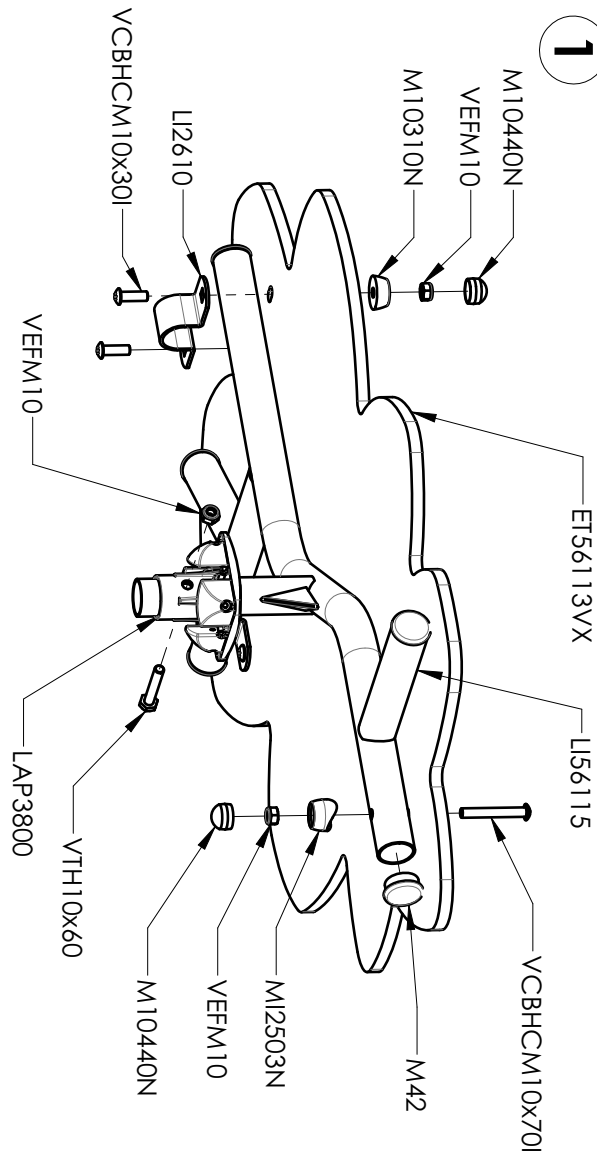
1x
L56132

L56132	1
M8310N	8
M8440N	8
VTH6x30A	8

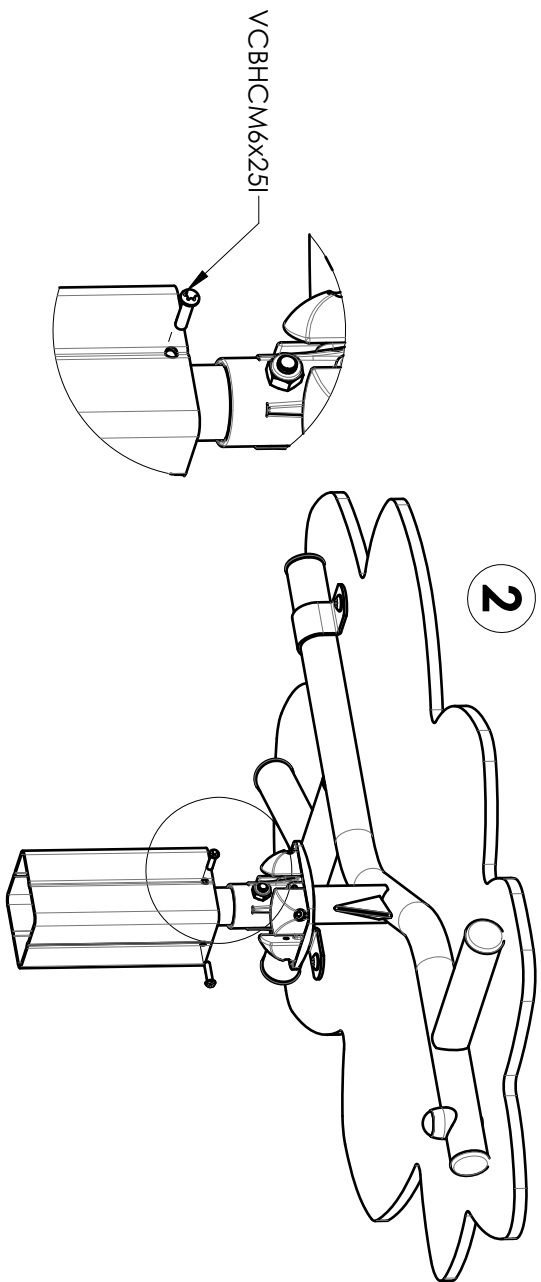


L56131	1
M8310N	8
M8440N	8
VTH6x30A	8

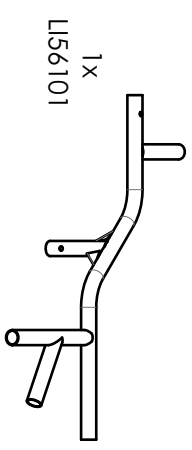
1



2



ET56113VX
1x

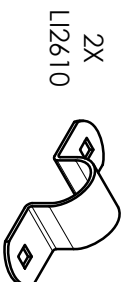
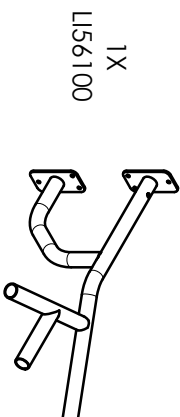
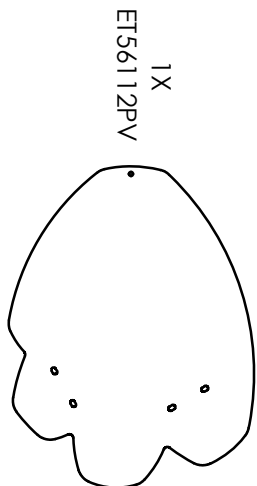
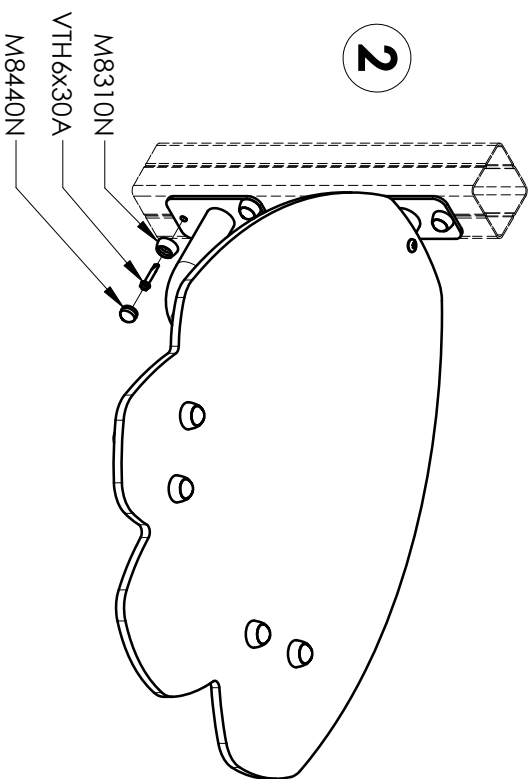
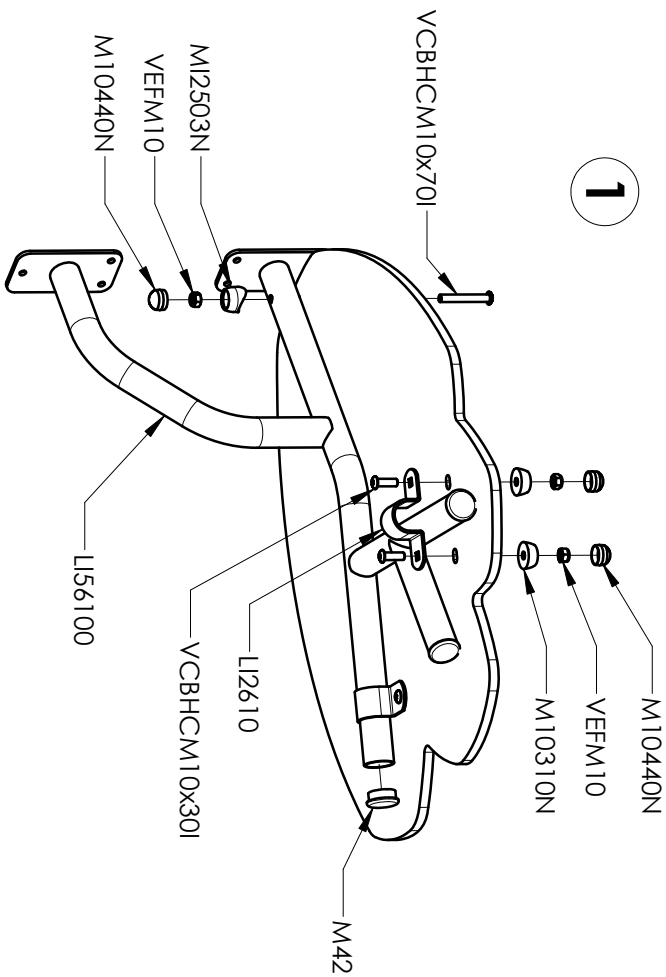


LIS6101
1x

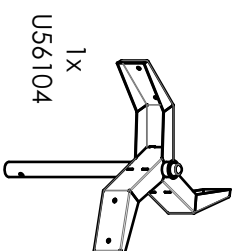
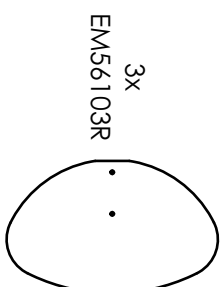
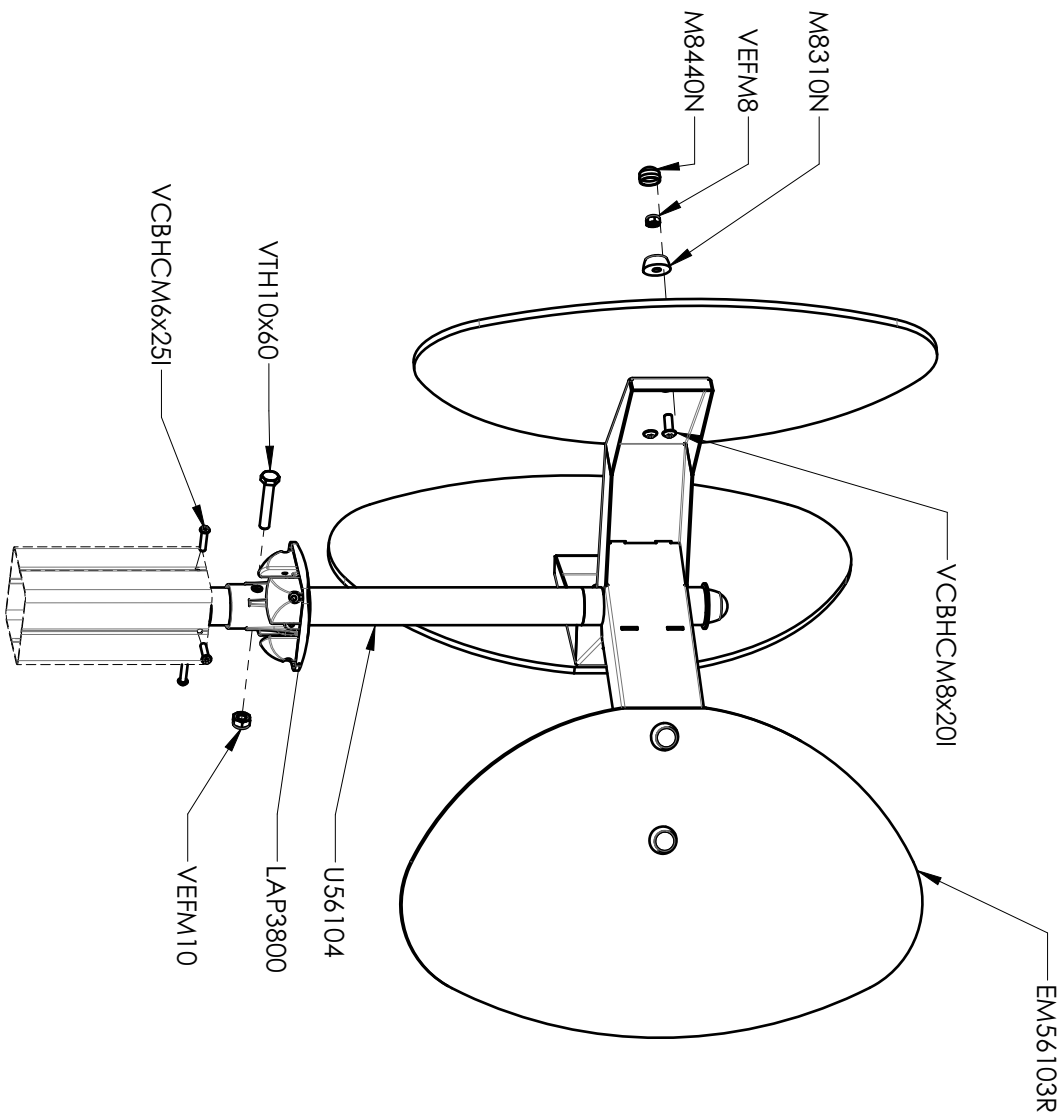


L12610
1x

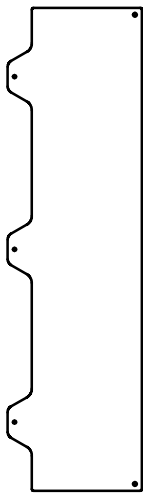
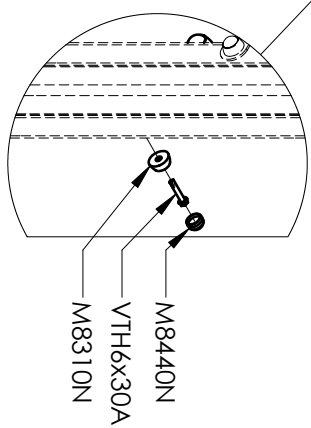
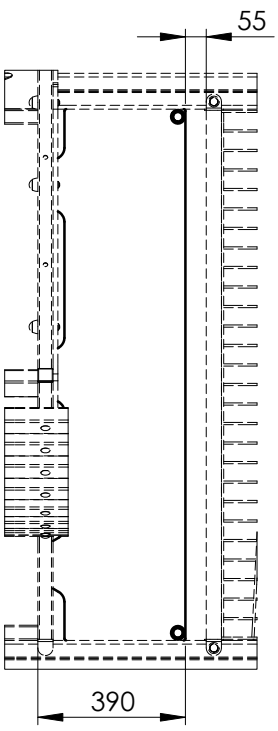
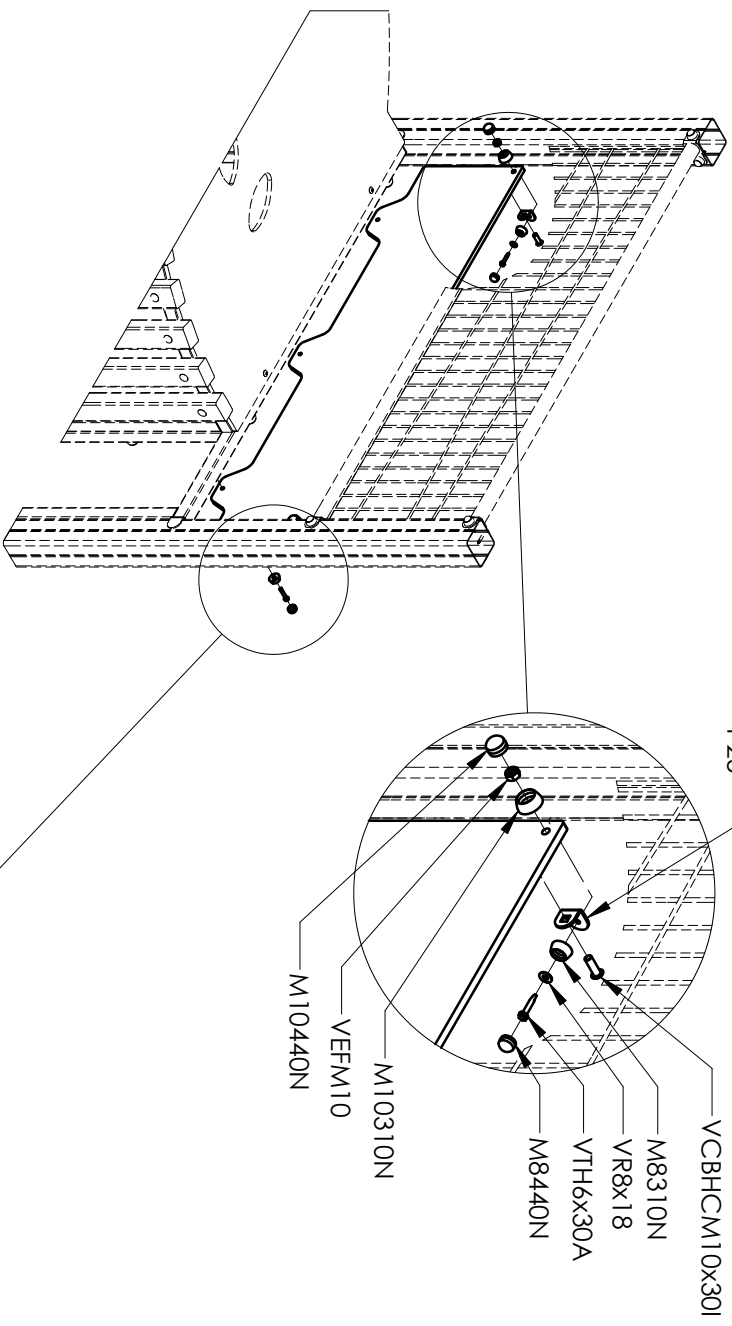
ET56113VX	1
LAP3800	1
L12610	2
LIS6101	1
M42	5
M10310N	4
M10440N	5
M12503N	1
VCBHCM6x25I	4
VCBHCM10x30I	4
VCBHCM10x70I	1
VEFM10	6
VTH10x60	1



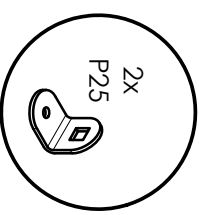
ET56112PV	1
L12610	2
L156100	1
M42	3
M8310N	6
M8440N	6
M10310N	4
M10440N	5
M12503N	1
VCBHC M10x30I	4
VCBHC M10x70I	1
VEFM10	5
VTH6x30A	6



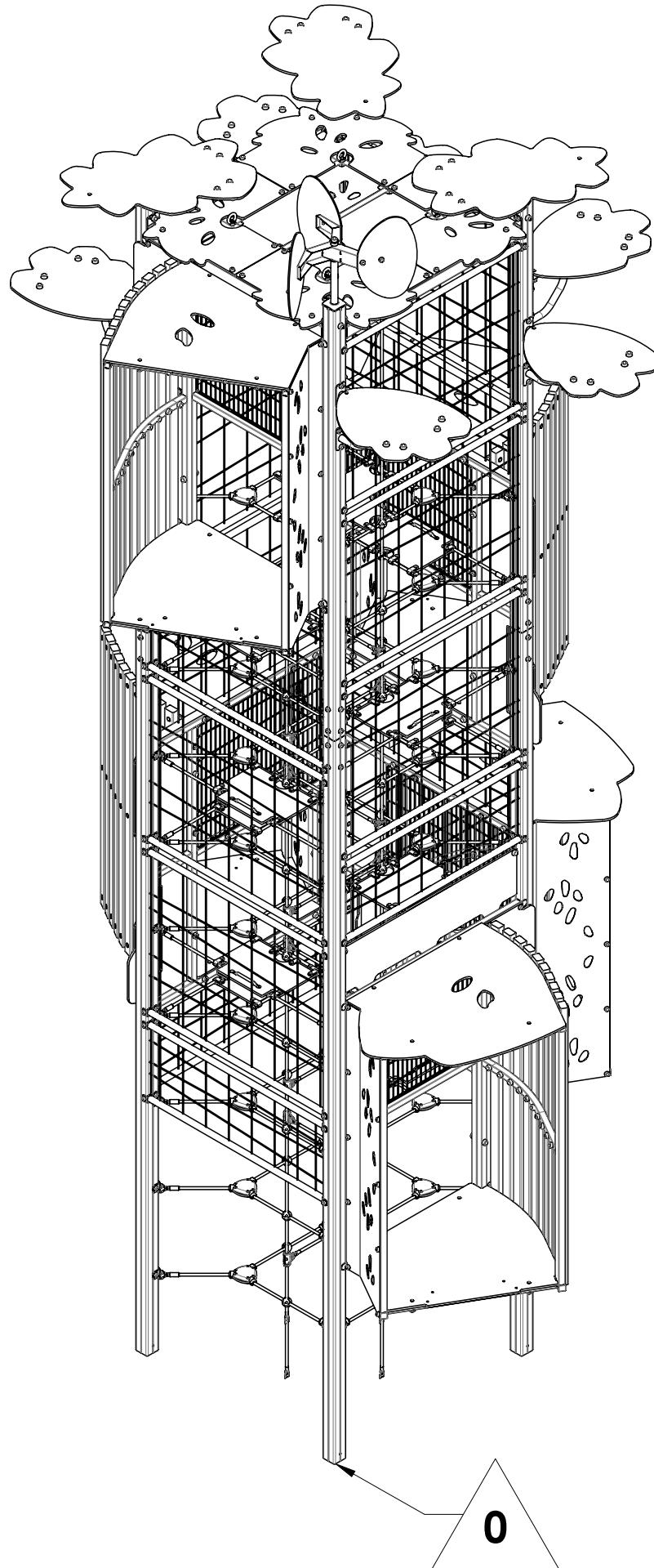
EM56103R	3
LAP3800	1
M8310N	6
M8440N	6
U56104	1
VCBHCM6x25I	4
VCBHCM8x20I	6
VEFM8	6
VEFM10	1
VTH10x60	1

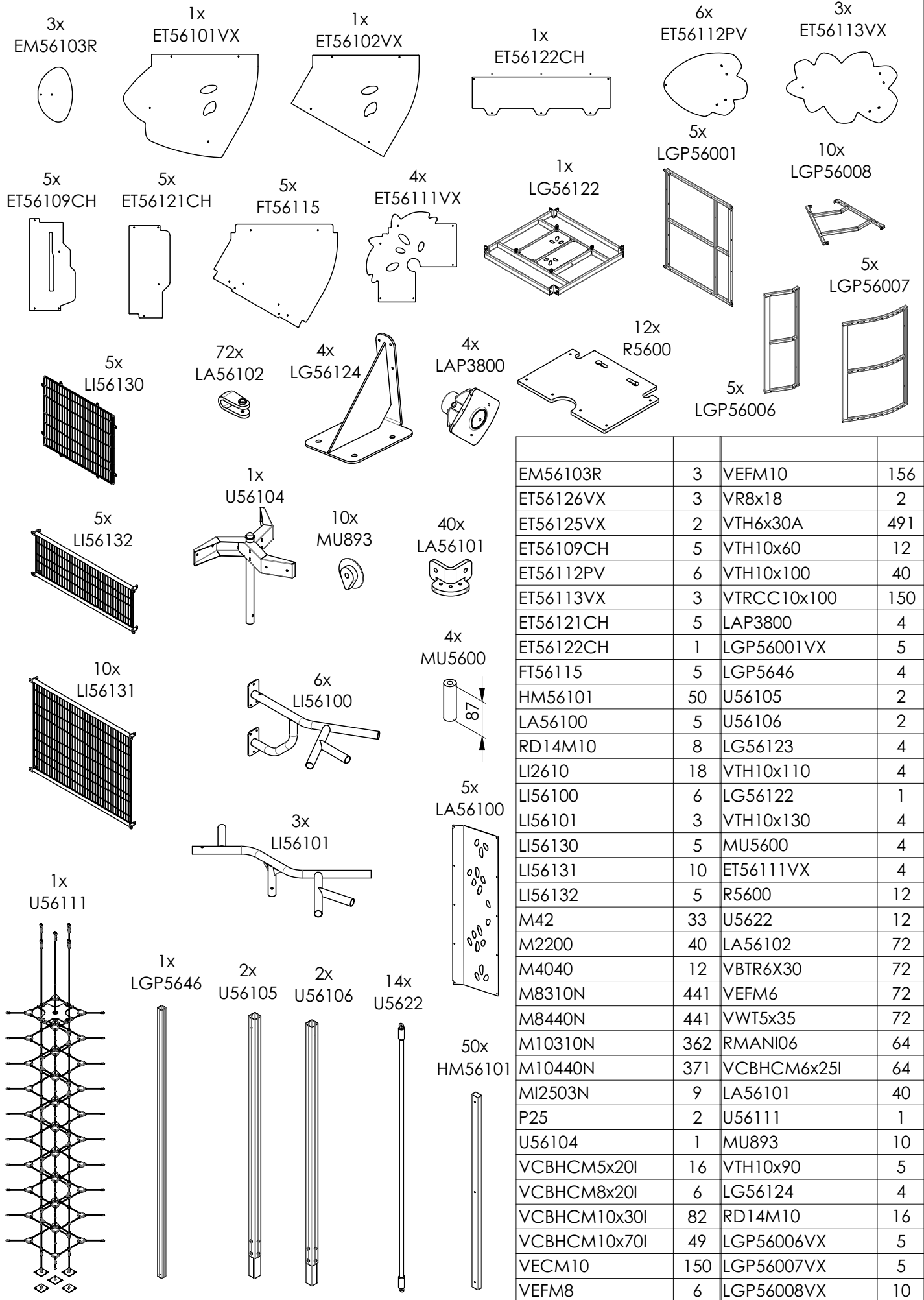


1x
ET56122CH

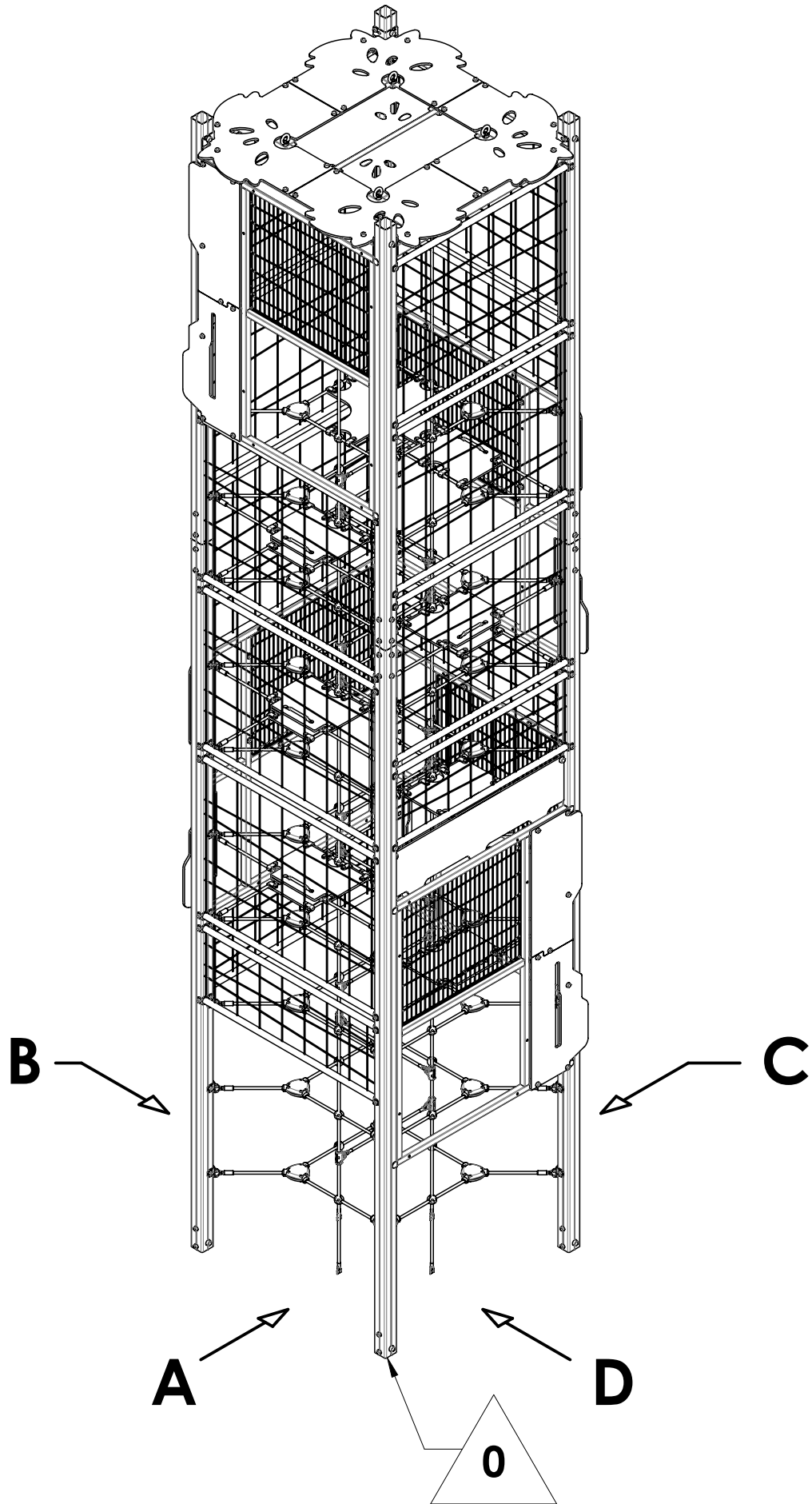


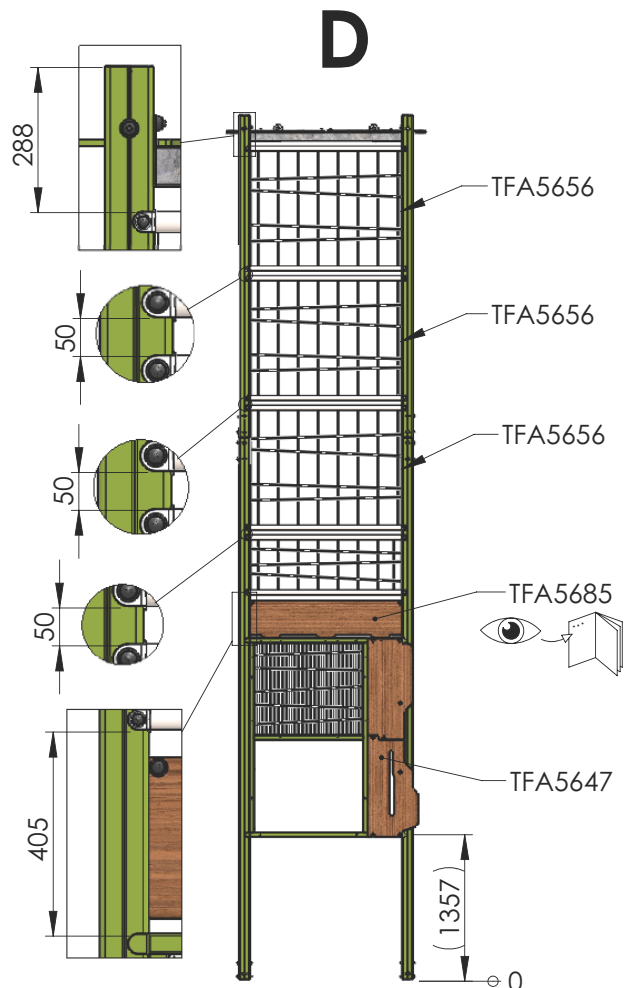
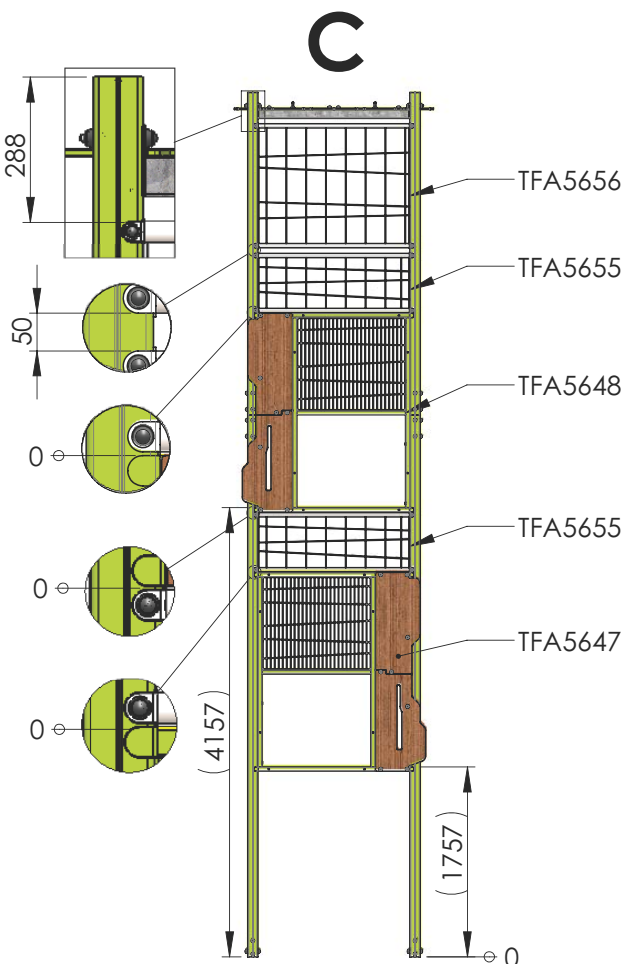
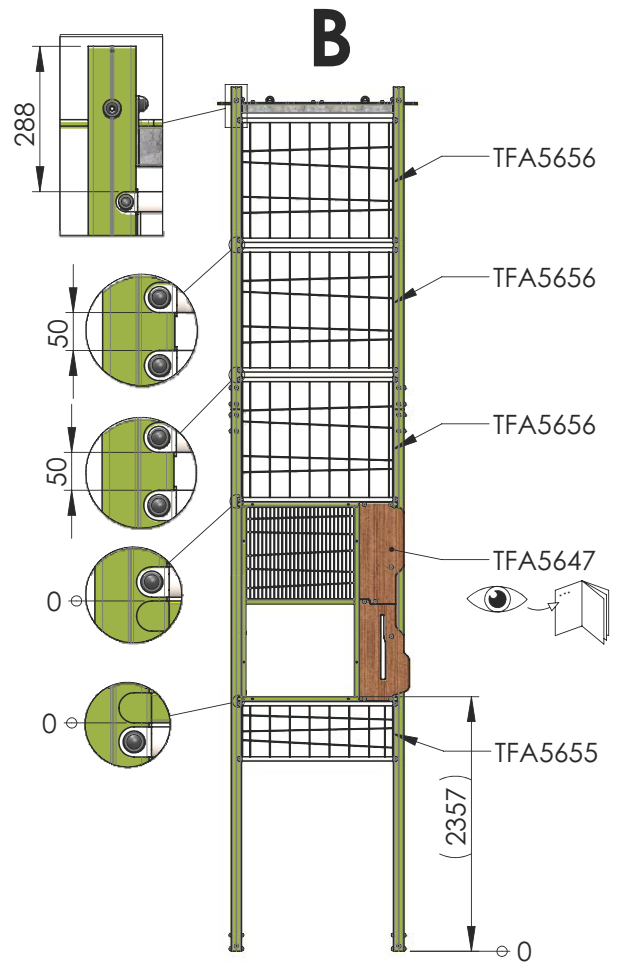
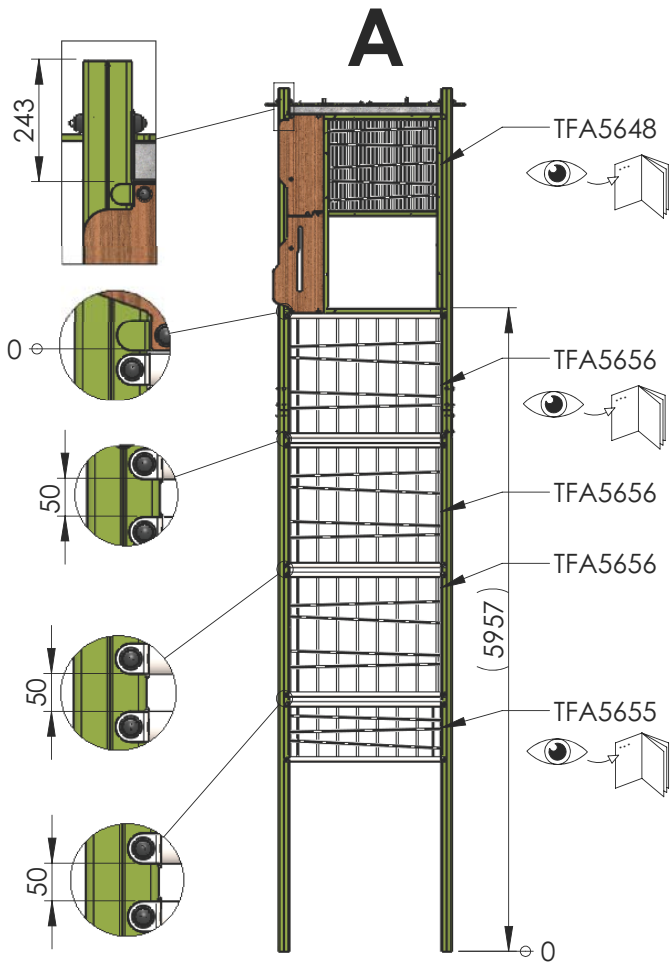
ET56122CH	1
M8310N	5
M8440N	5
M10310N	2
M10440N	2
P25	2
VCBHCM10x30I	2
VEFM10	2
VR8x18	2
VTH6x30A	5



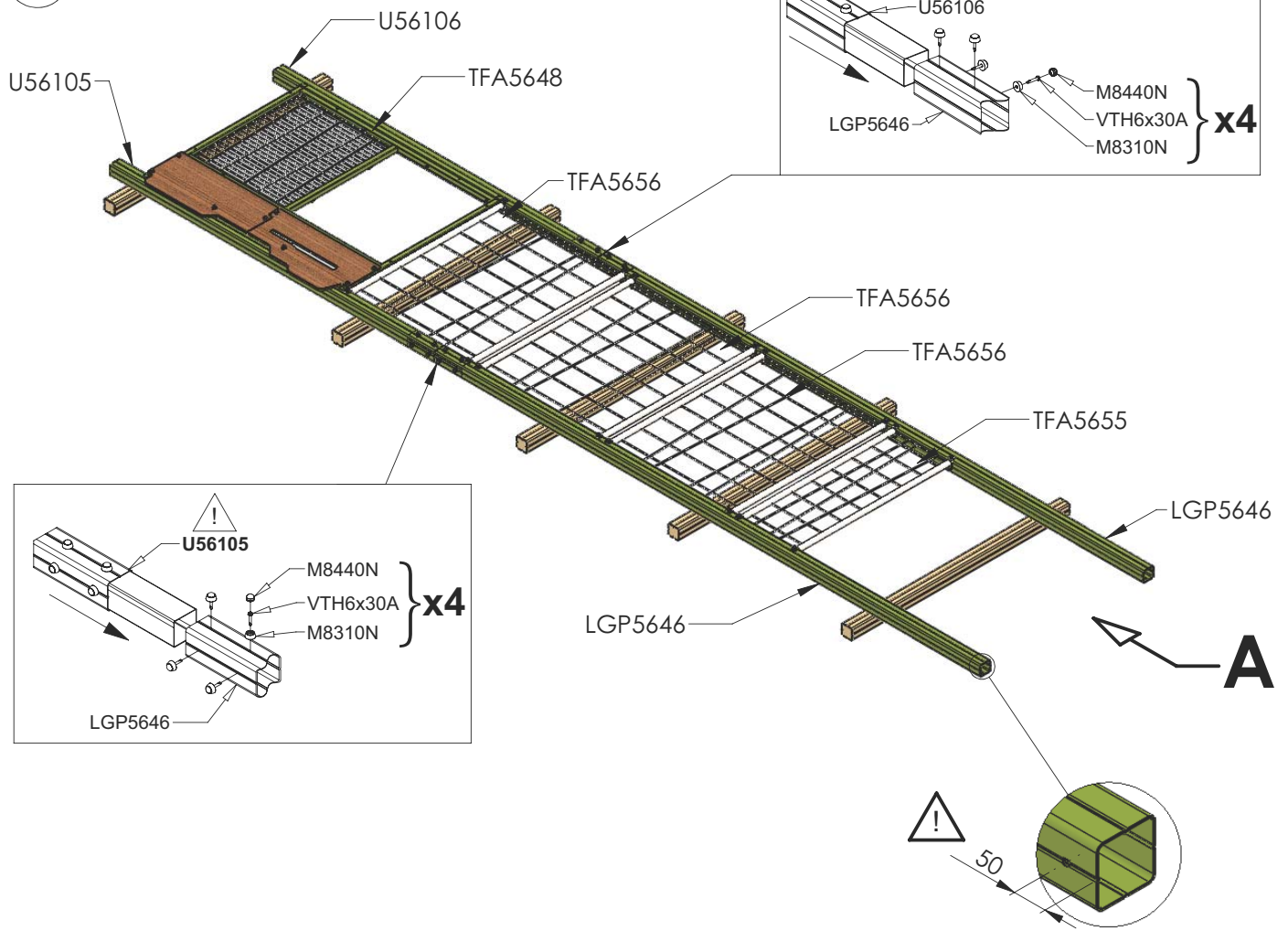


EM56103R	3	VEFM10	156
ET56126VX	3	VR8x18	2
ET56125VX	2	VTH6x30A	491
ET56109CH	5	VTH10x60	12
ET56112PV	6	VTH10x100	40
ET56113VX	3	VTRCC10x100	150
ET56121CH	5	LAP3800	4
ET56122CH	1	LGP56001VX	5
FT56115	5	LGP5646	4
HM56101	50	U56105	2
LA56100	5	U56106	2
RD14M10	8	LG56123	4
LI2610	18	VTH10x110	4
LI56100	6	LG56122	1
LI56101	3	VTH10x130	4
LI56130	5	MU5600	4
LI56131	10	ET56111VX	4
LI56132	5	R5600	12
M42	33	U5622	12
M2200	40	LA56102	72
M4040	12	VBTR6X30	72
M8310N	441	VEFM6	72
M8440N	441	VWT5x35	72
M10310N	362	RMANI06	64
M10440N	371	VCBHCM6x25I	64
MI2503N	9	LA56101	40
P25	2	U56111	1
U56104	1	MU893	10
VCBHCM5x20I	16	VTH10x90	5
VCBHCM8x20I	6	LG56124	4
VCBHCM10x30I	82	RD14M10	16
VCBHCM10x70I	49	LGP56006VX	5
VECM10	150	LGP56007VX	5
VEFM8	6	LGP56008VX	10

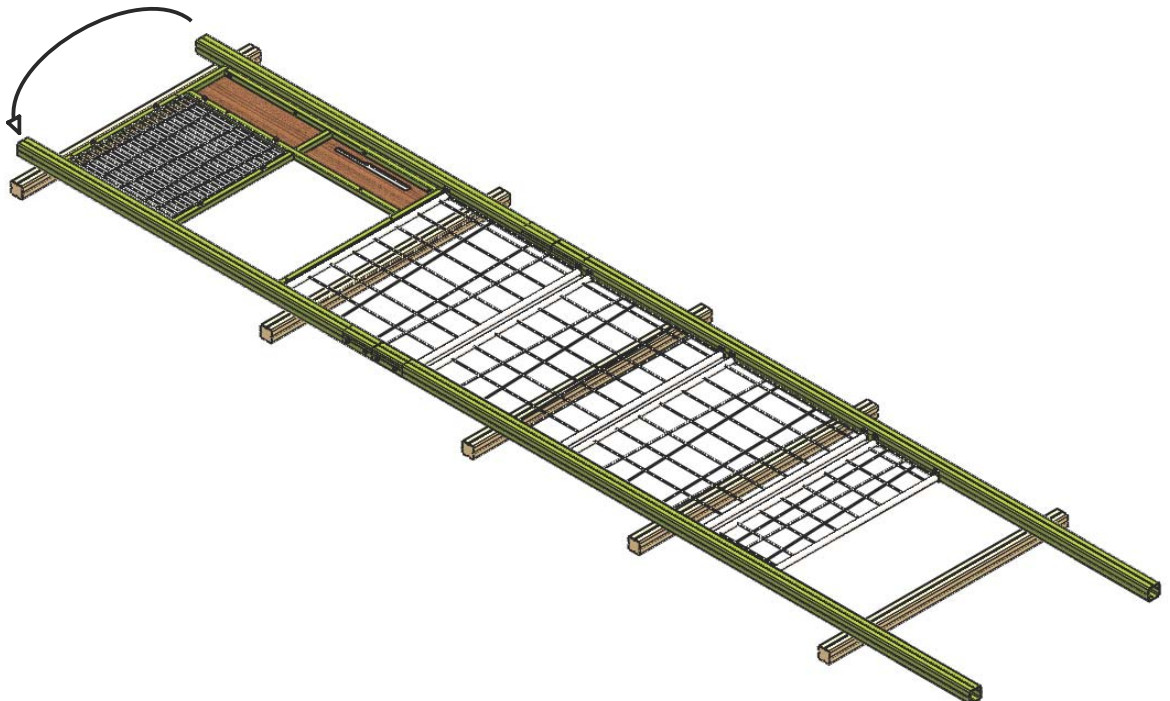


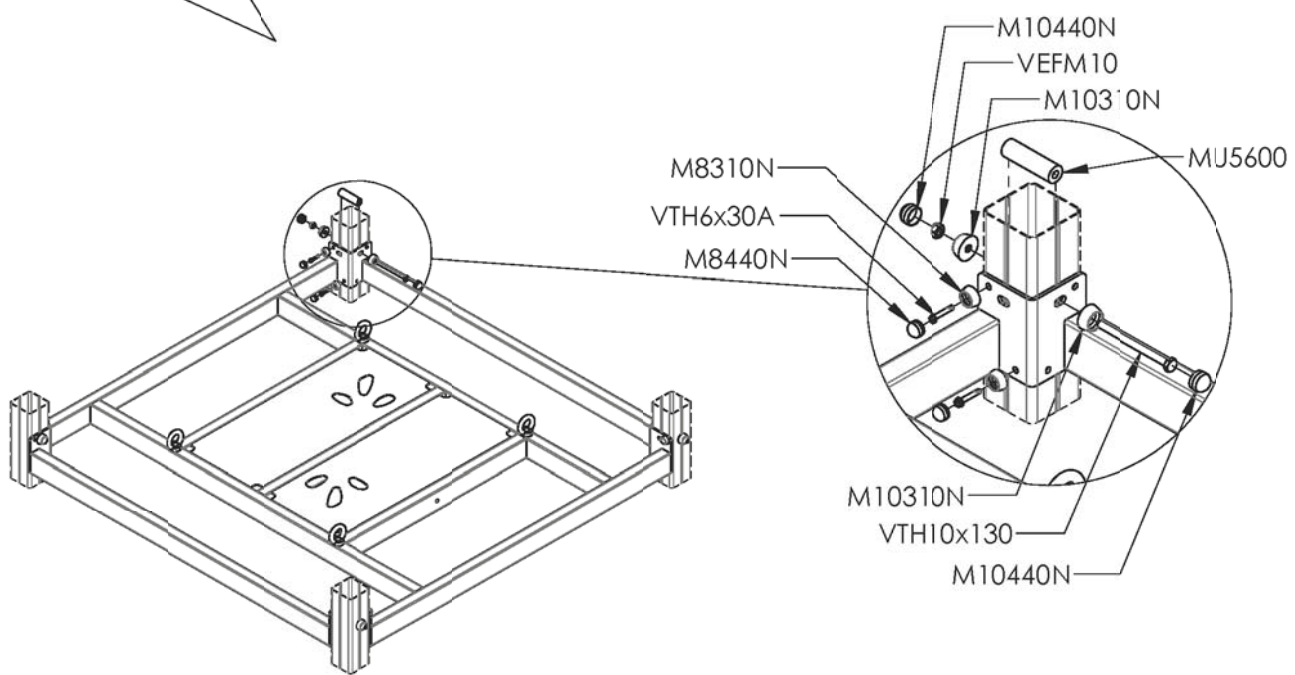
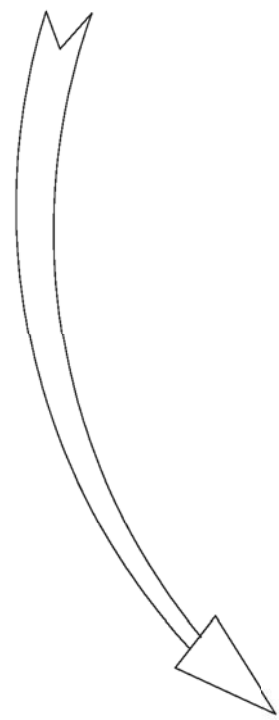
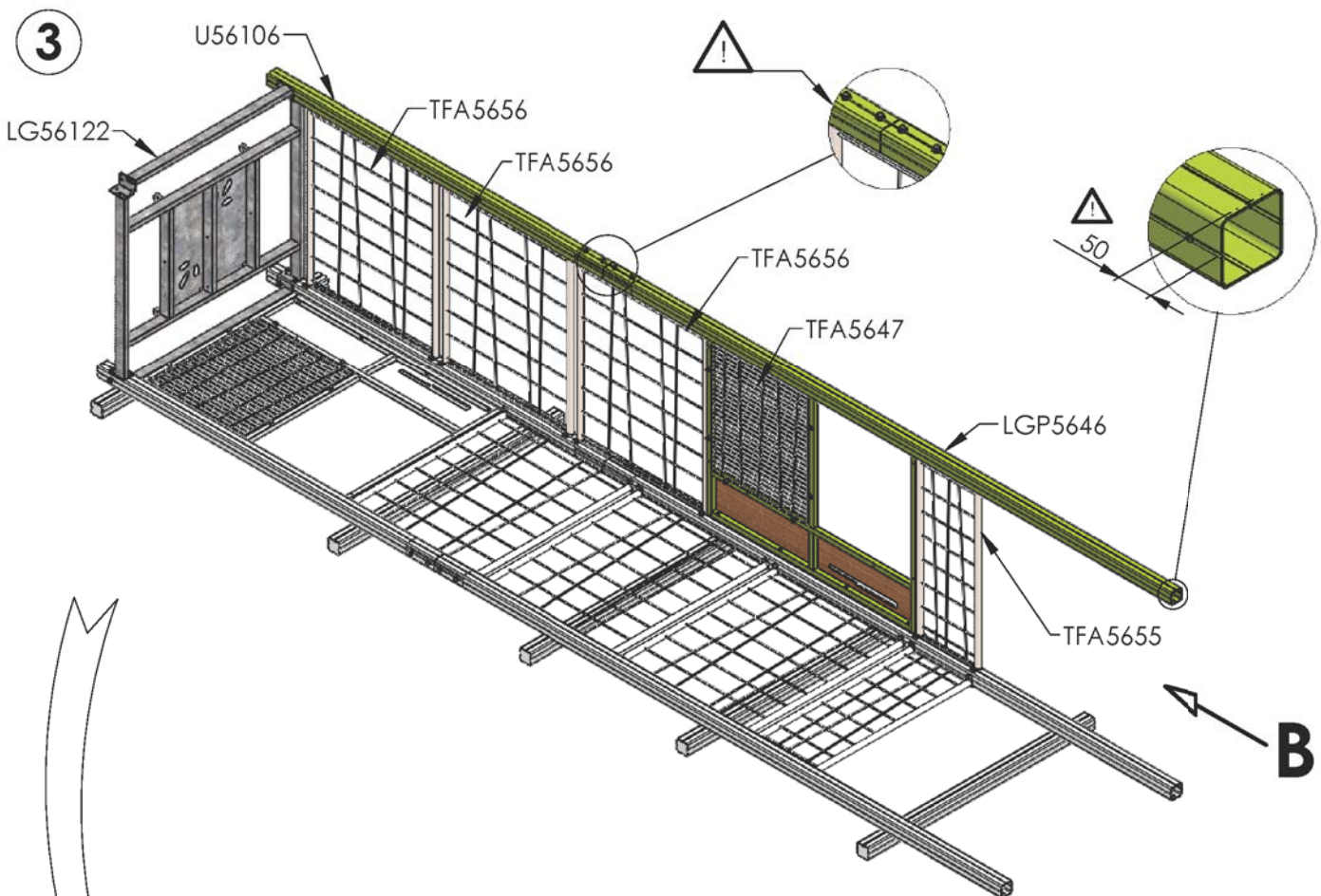


1

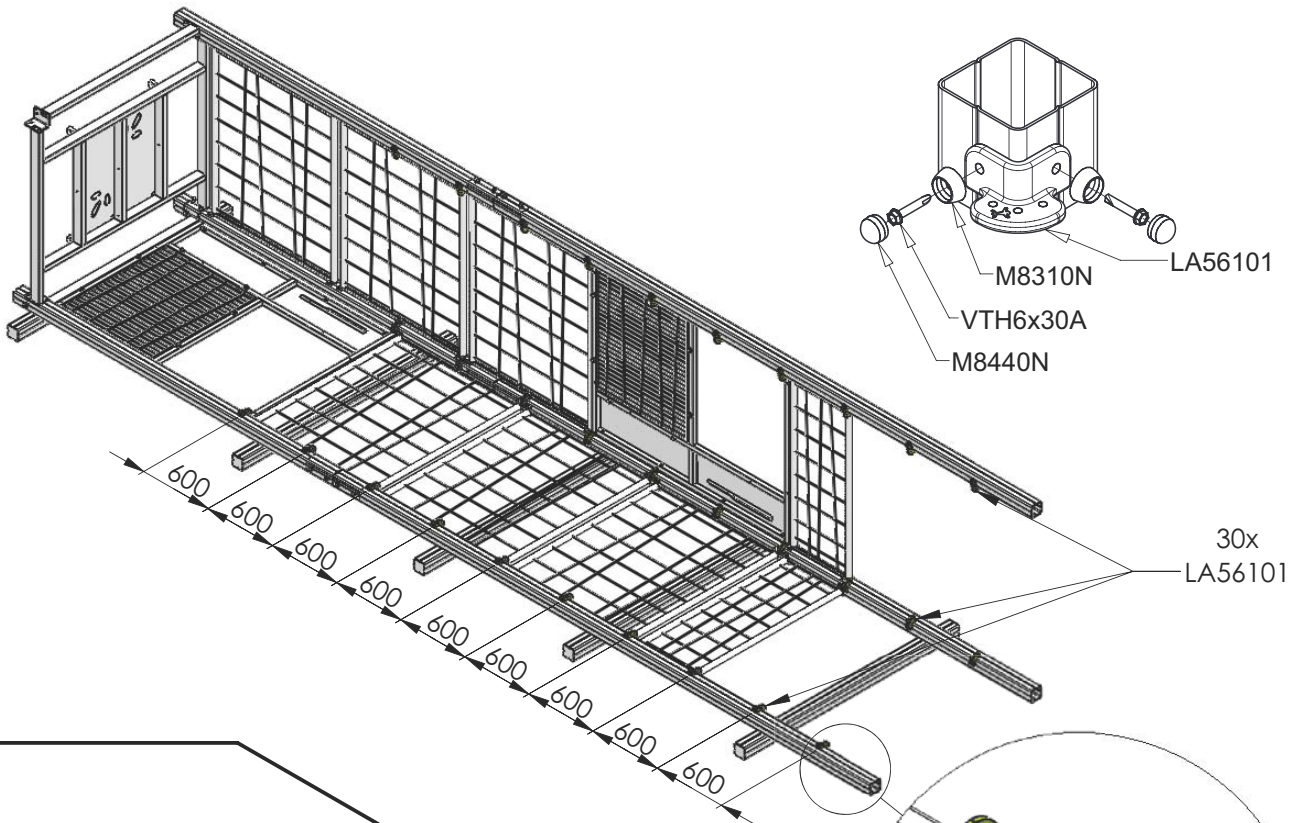


2

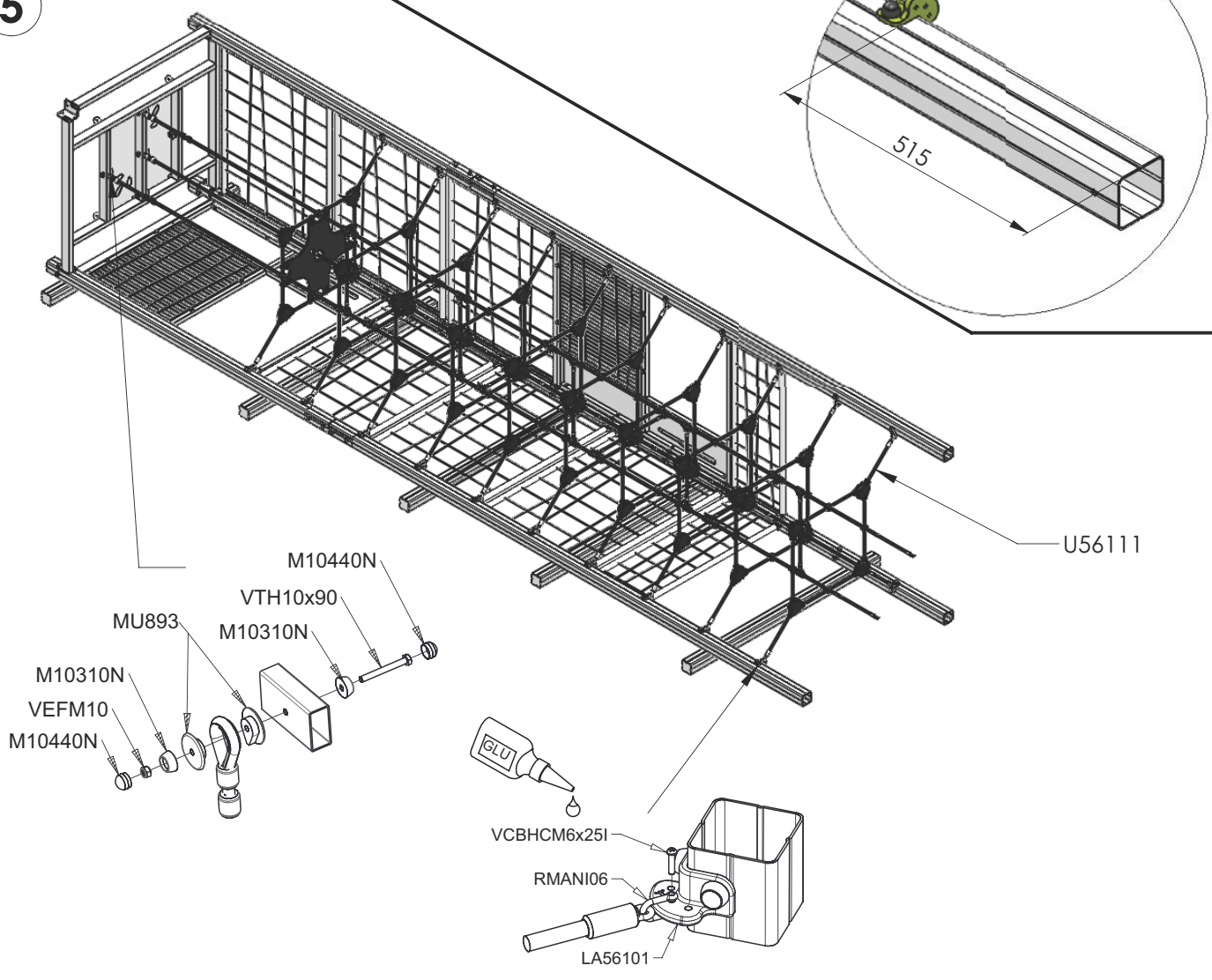




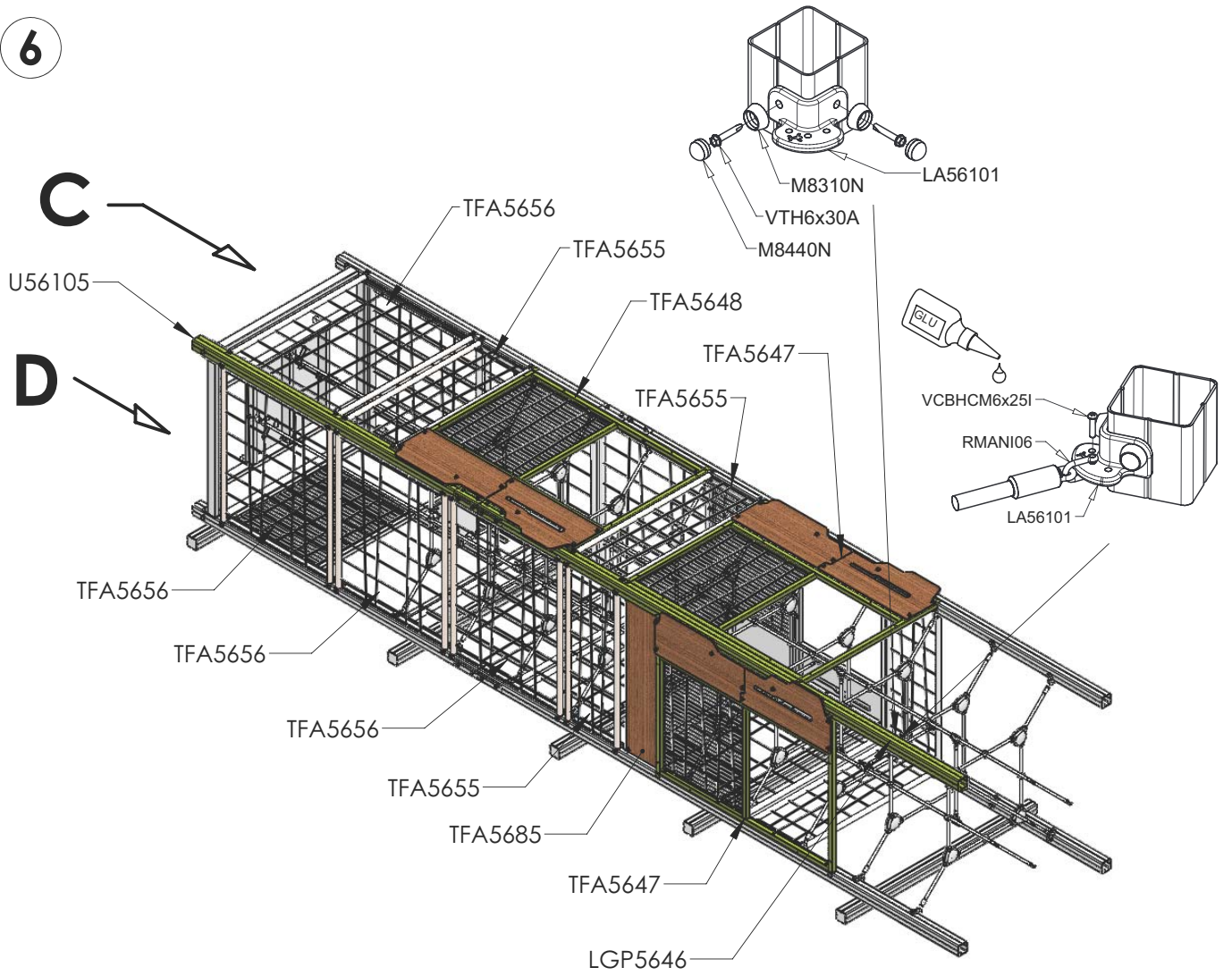
4



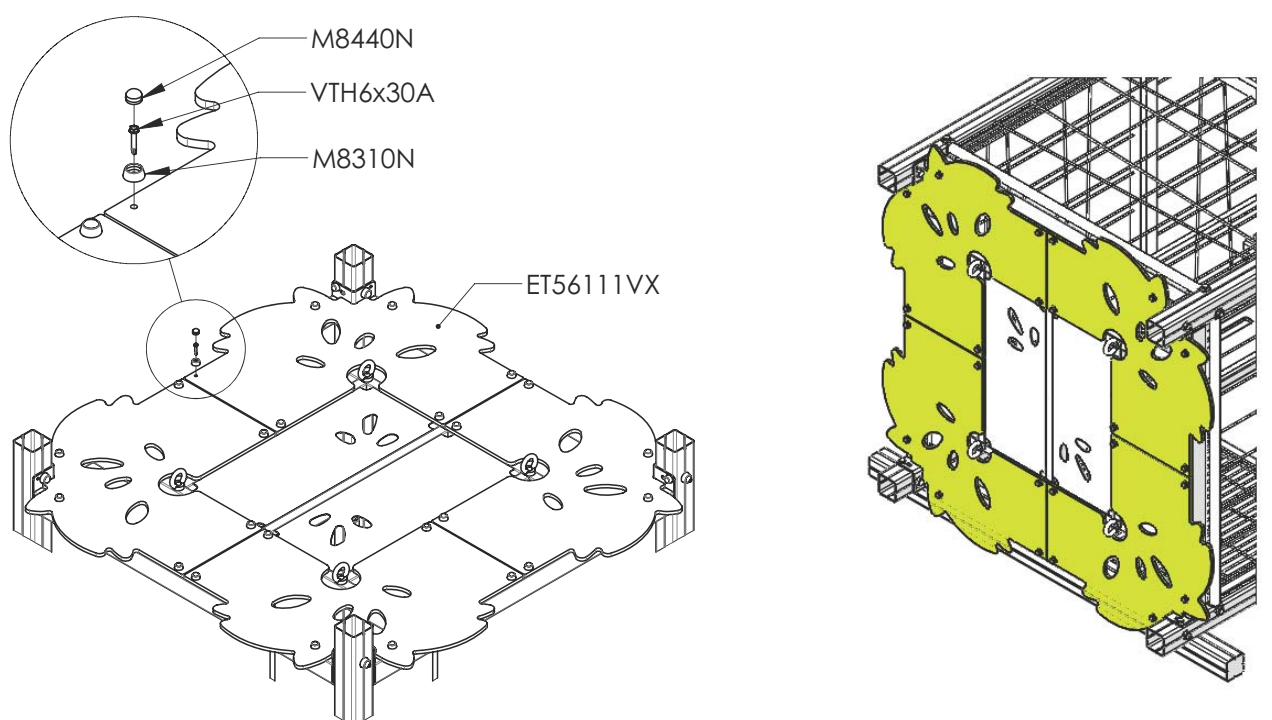
5



6



7



G56100	G5623
G56101	G56115
G56103	G56116
	G56117

2

3

1

4

1 x VTH10x110
1 x VEFM10
2 x M10310N
2 x M10440N

4x VTH6x30A
M10310N
M10440N

Ø40

LG56123

350

125

25

4x VTH10x30

R5602

VTH6x30A

RD14M10

LG56124

R5602

LG56123

G56100	G5623
G56101	G56115
G56103	G56116
	G56117

2

3

1

1 x VTH10x110
1 x VEFM10
2 x M10310N
2 x M10440N

4x VTH6x30A
M10310N
M10440N

Ø40

LG56123

450

125

25

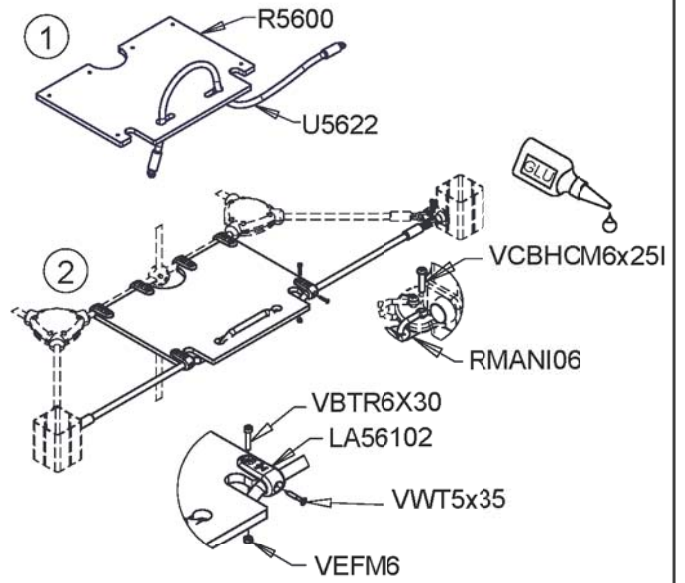
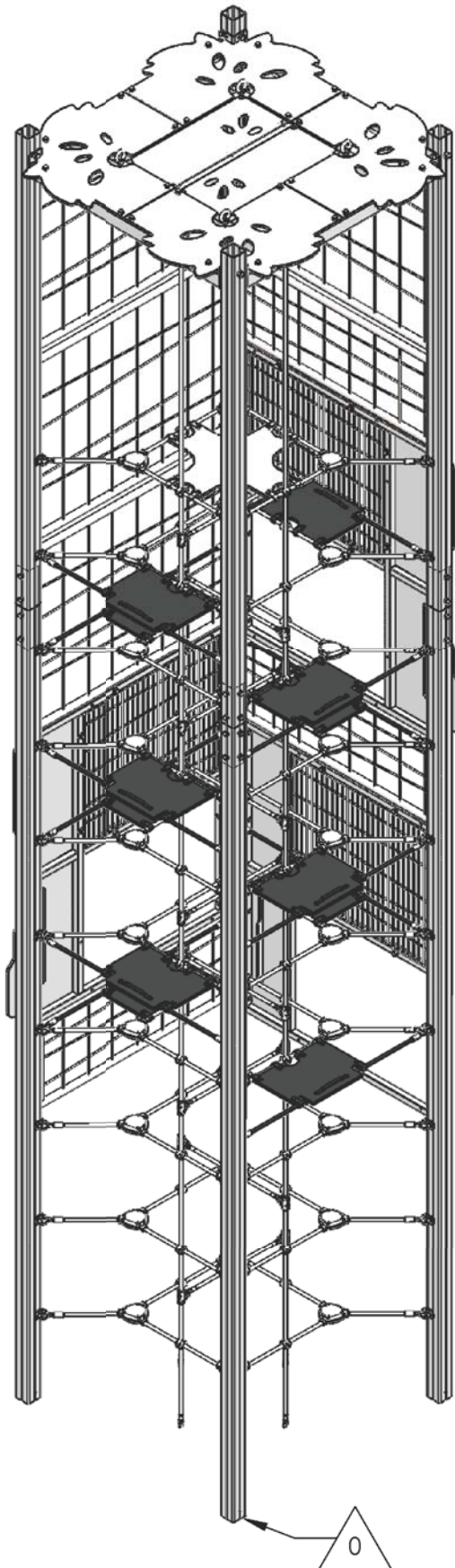
VTH6x30A

RD14M10

LG56123

LG56124

9



— 11 => G

— 10 => E

— 9 => F

— 8 => E

— 6 => F

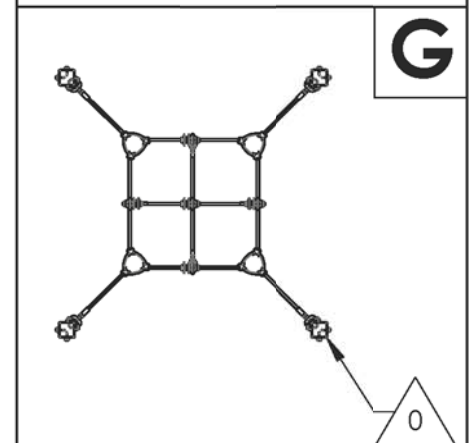
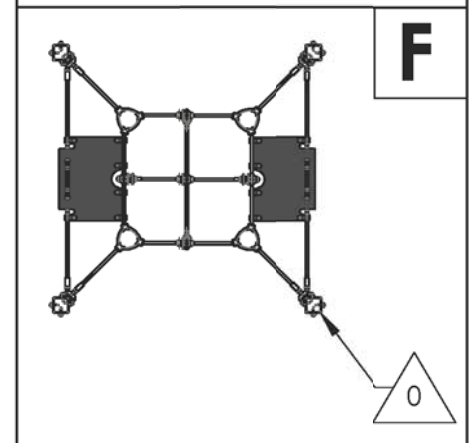
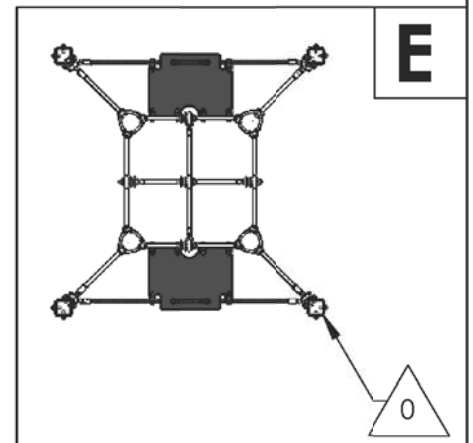
— 5 => E

— 4 => F

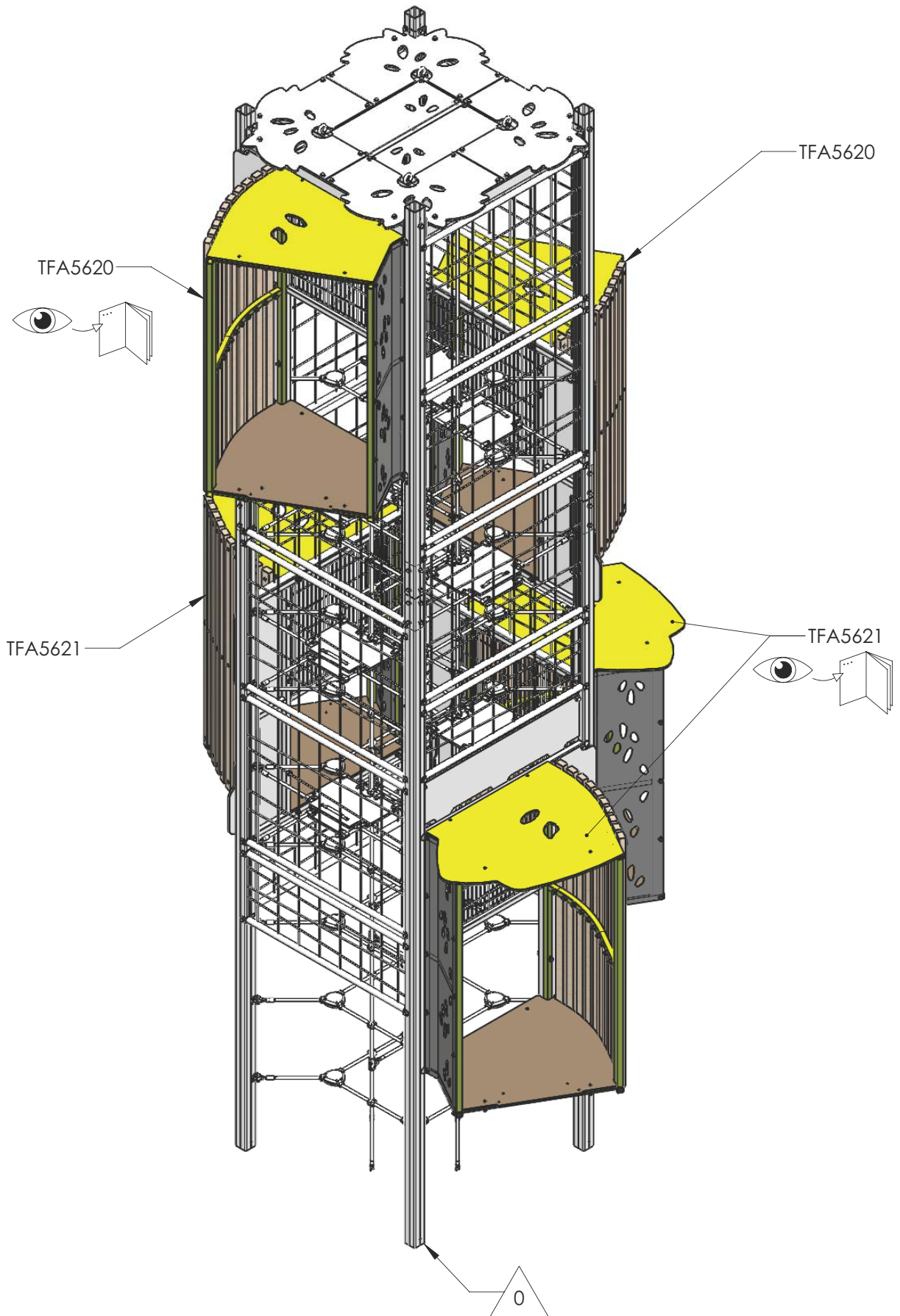
— 3 => G

— 2 => G

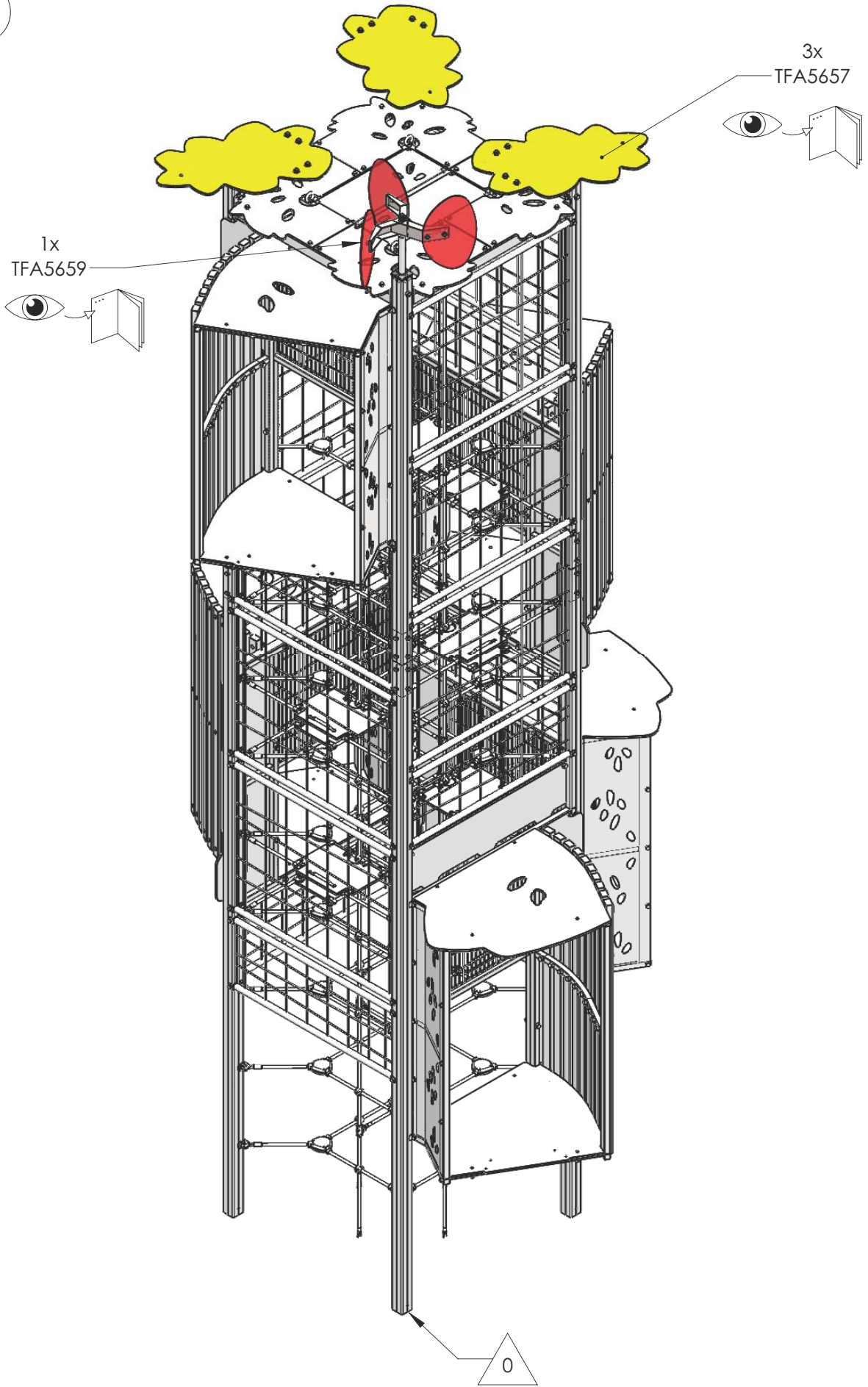
— 1 => G



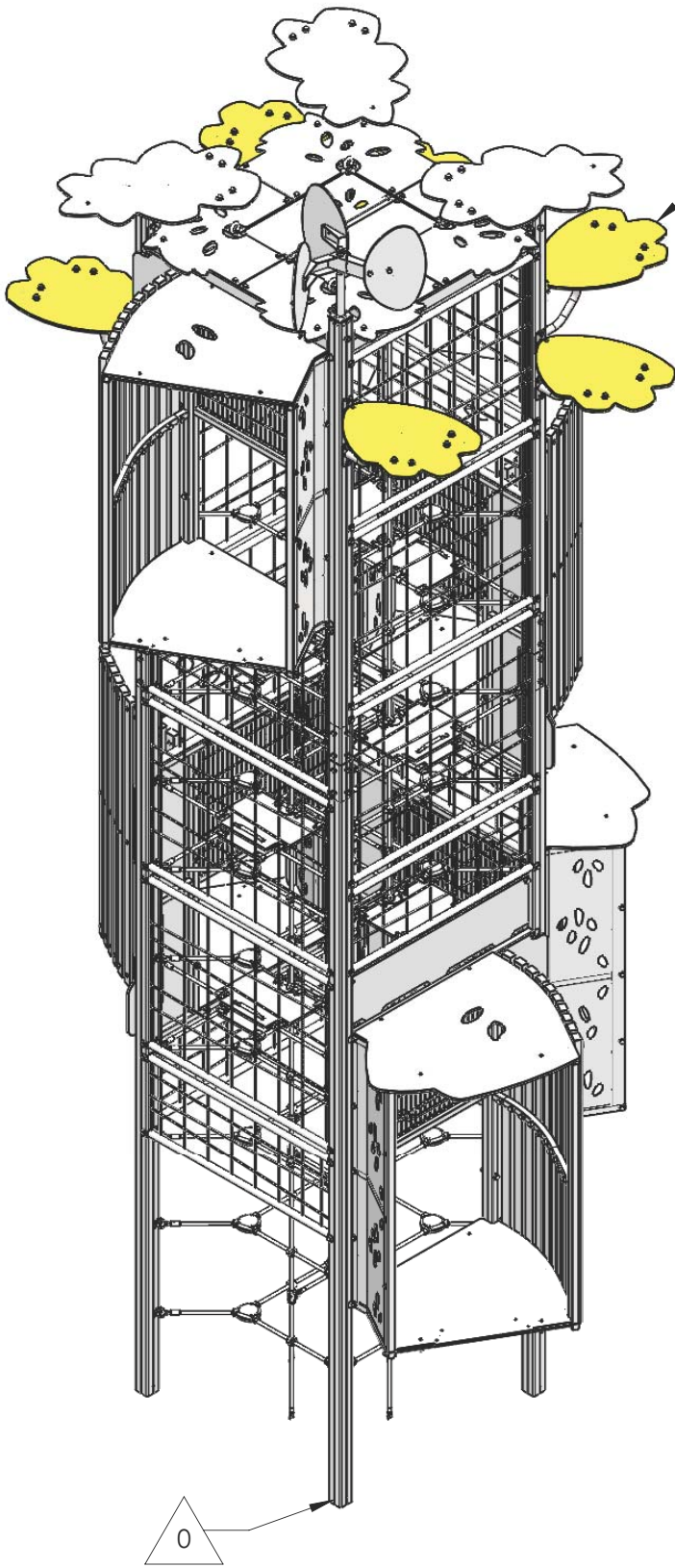
10



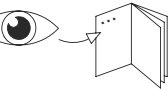
11



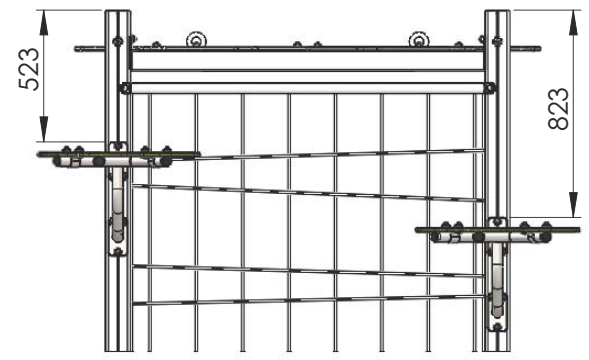
12



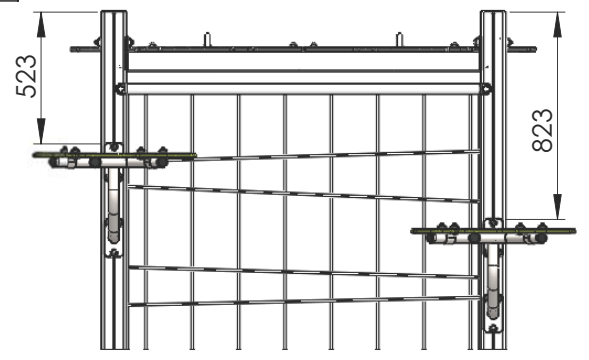
6x
TFA5658



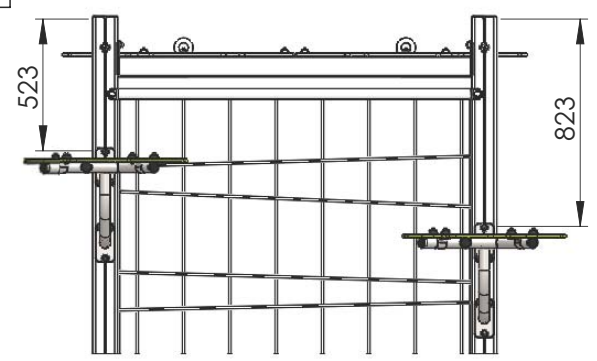
A

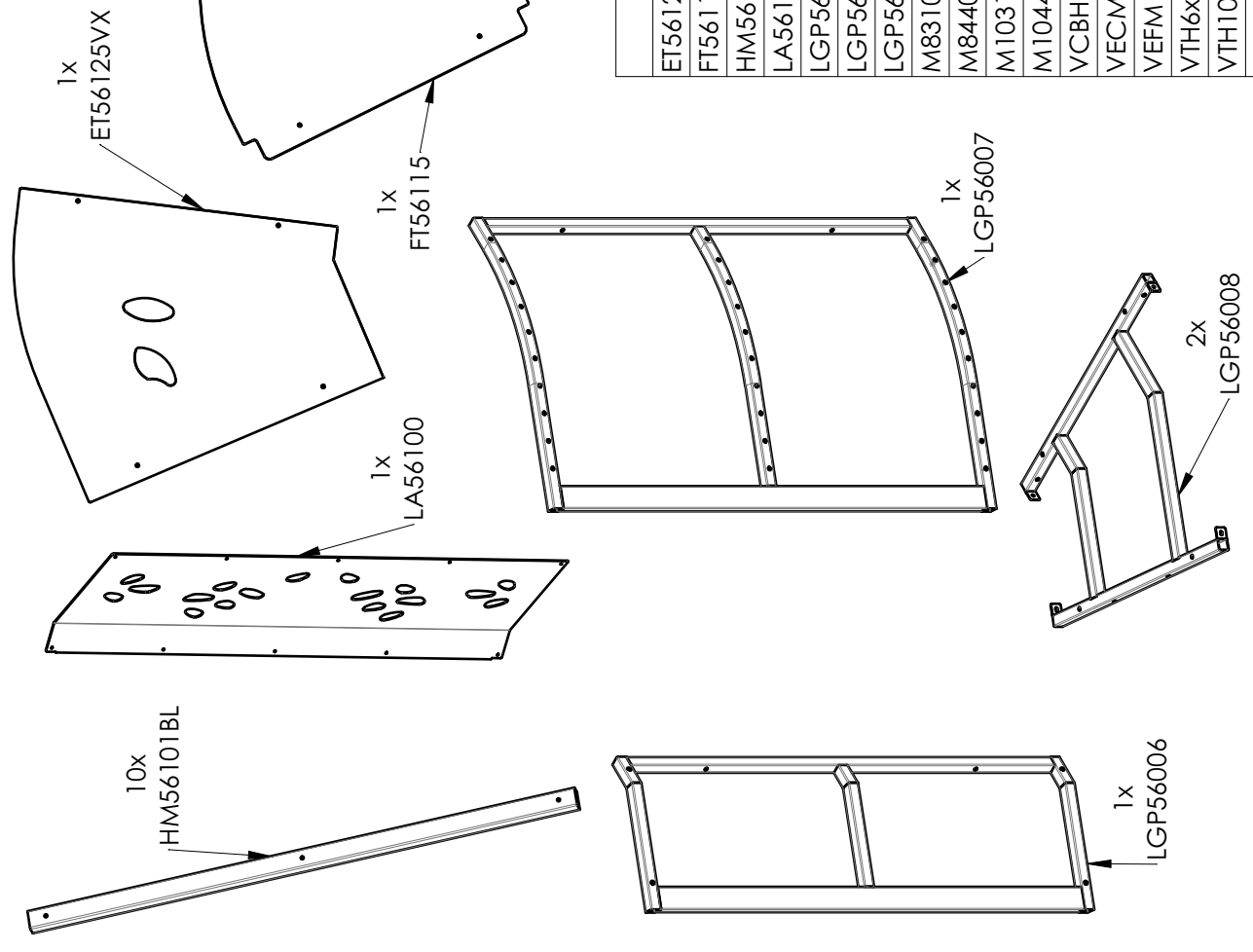
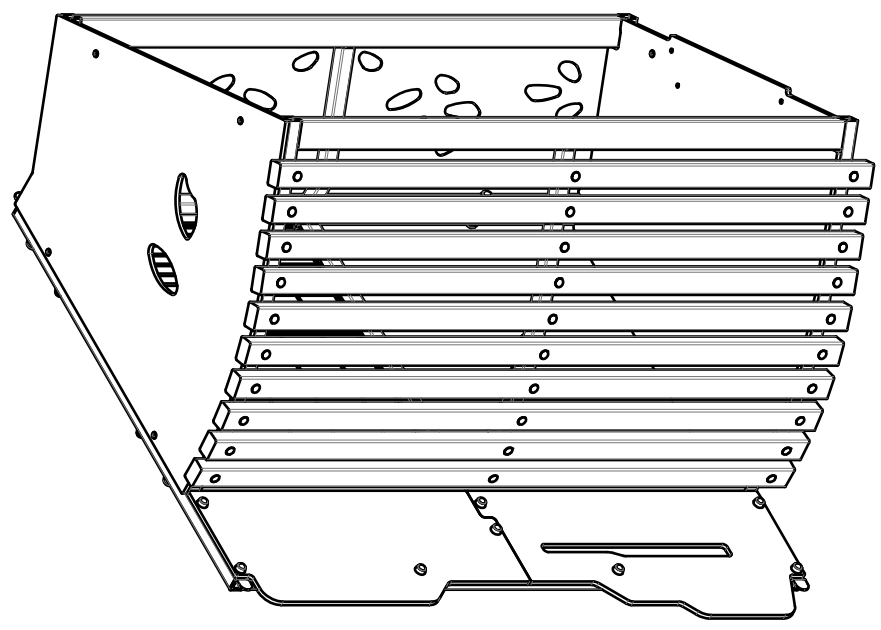


B

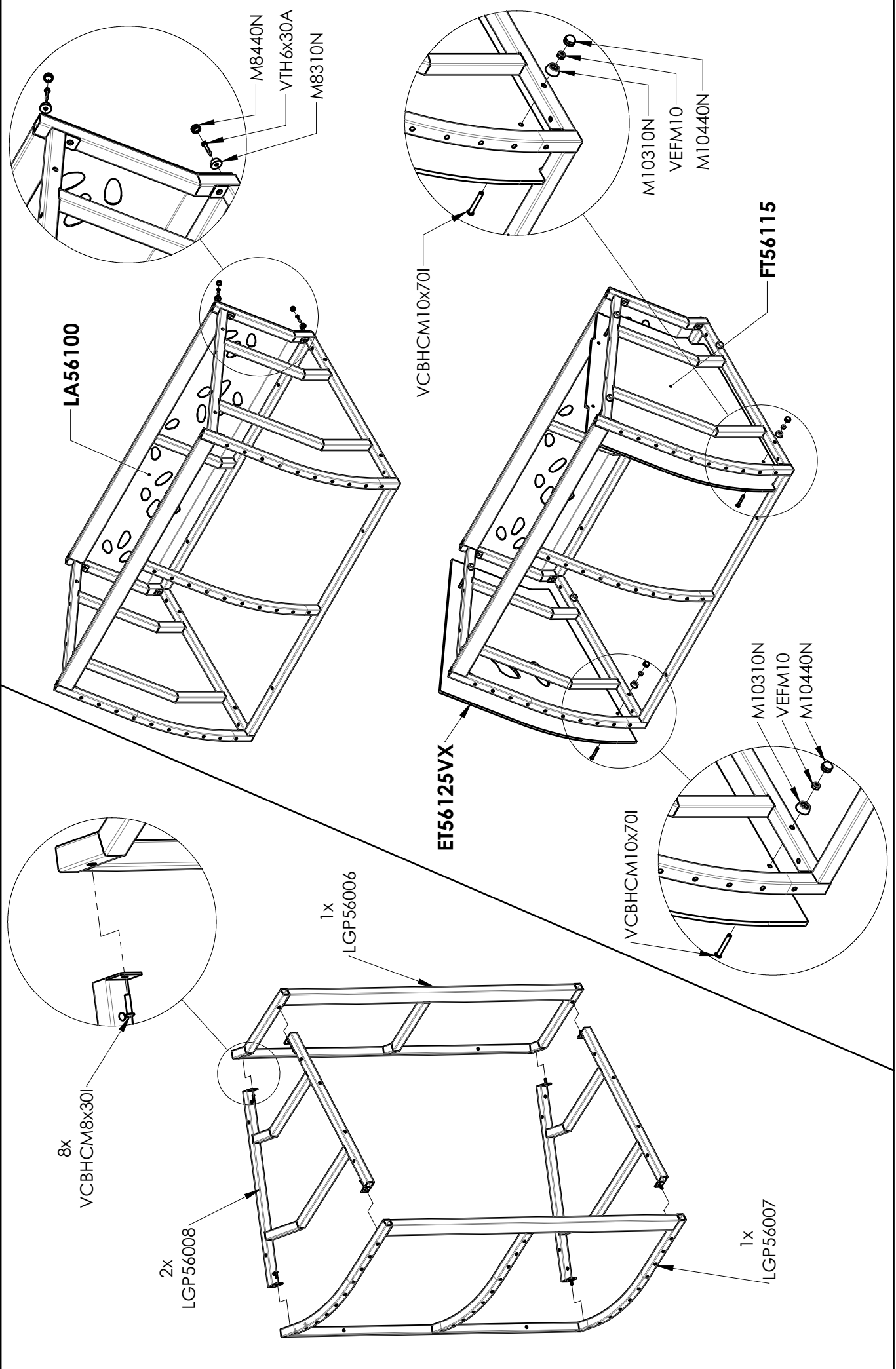


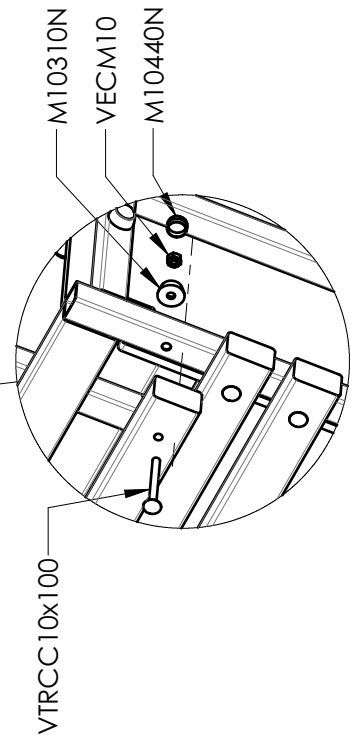
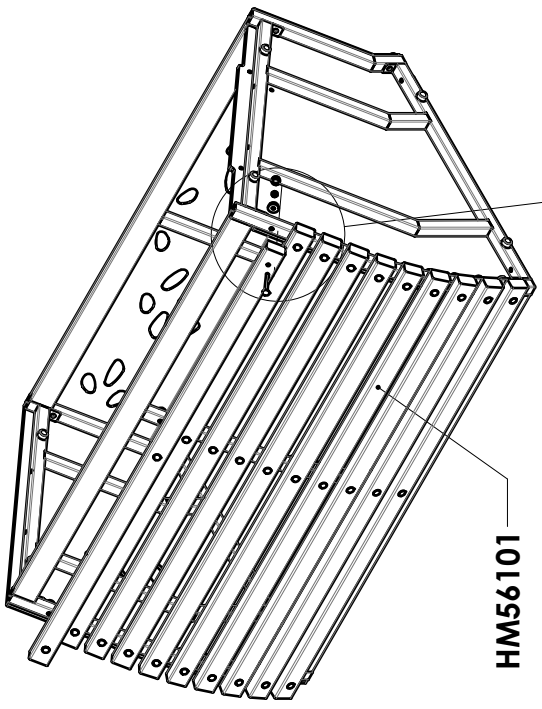
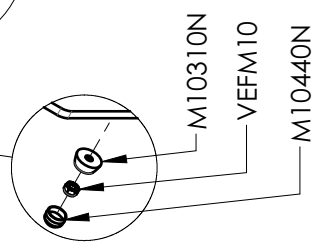
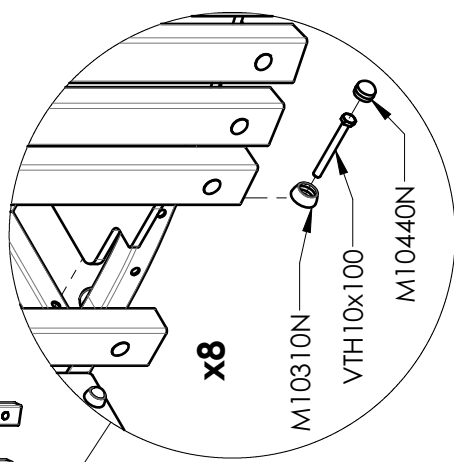
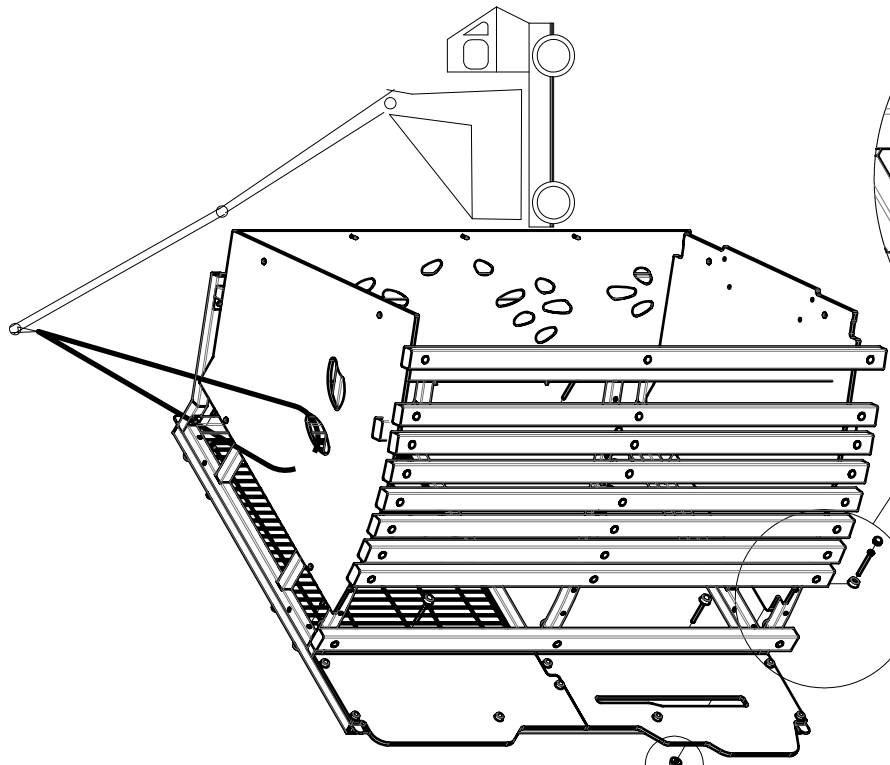
D

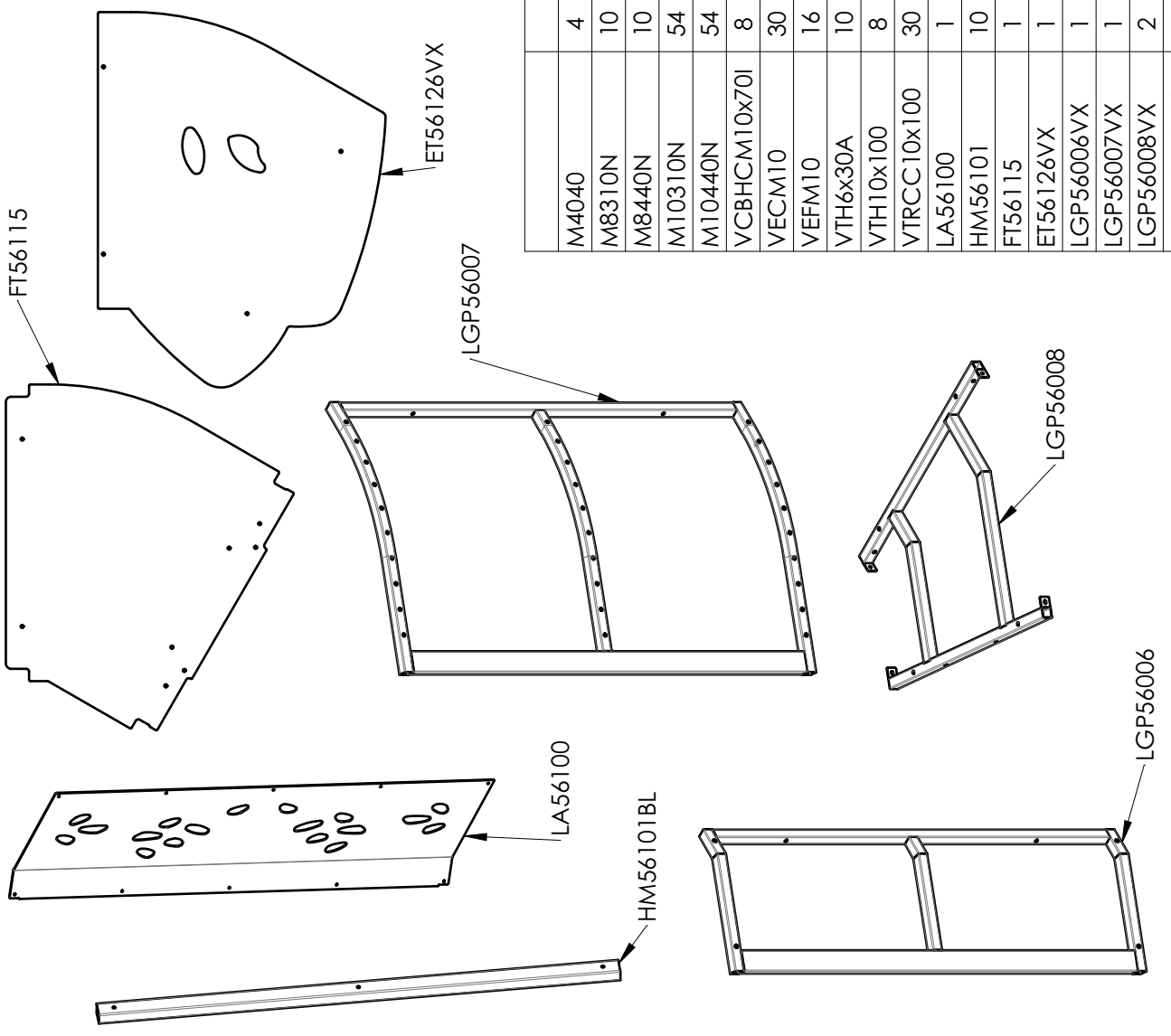
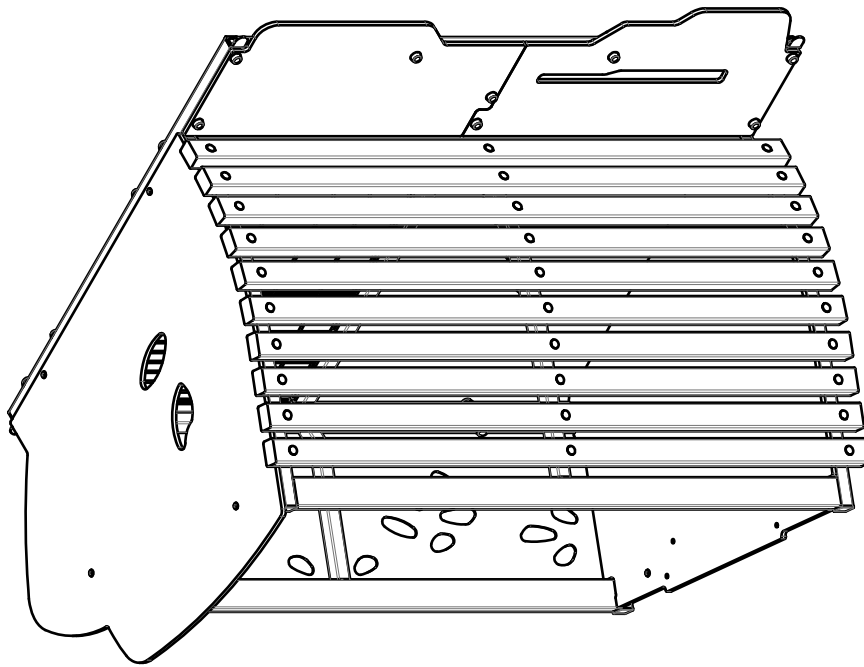




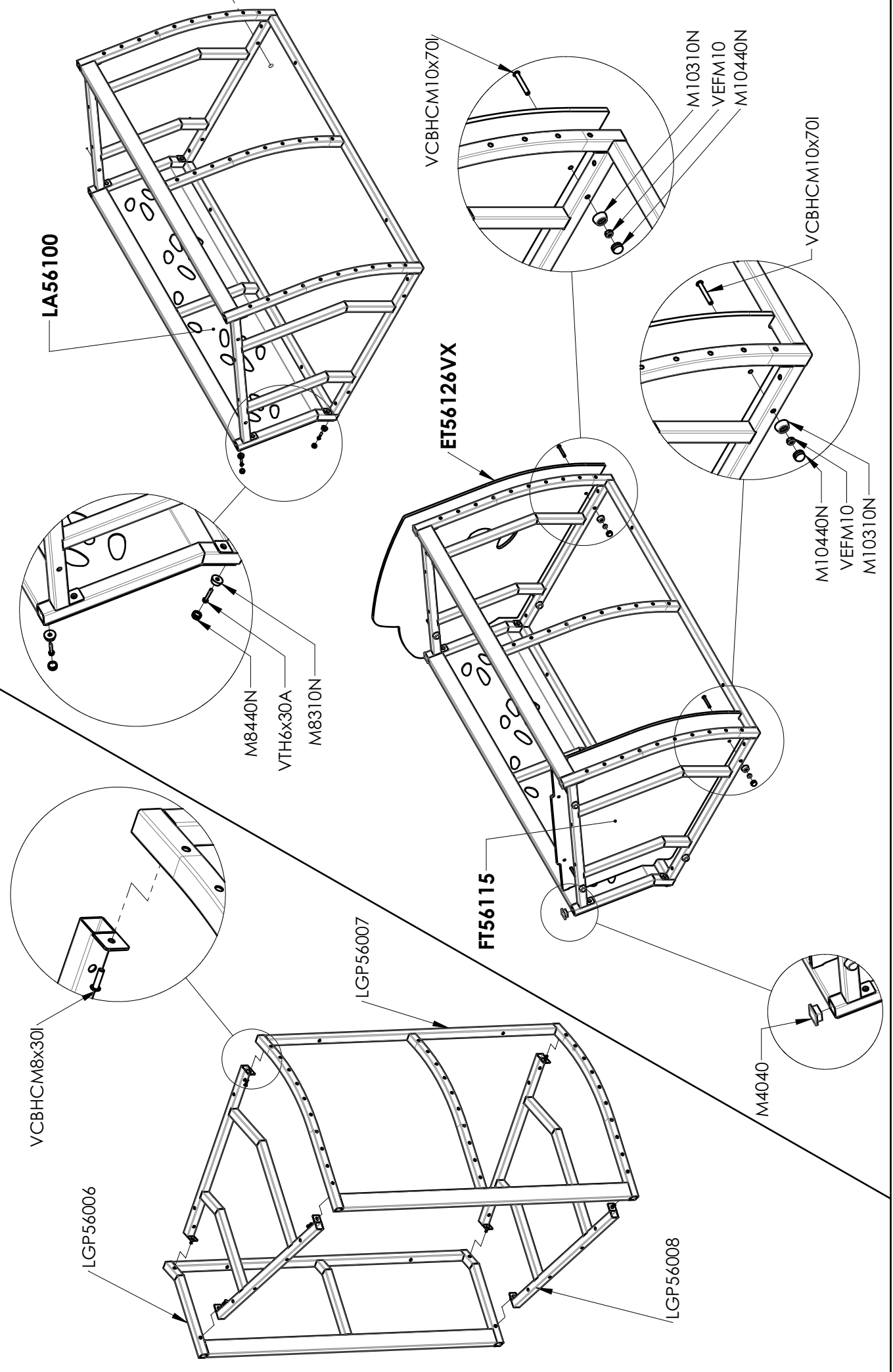
ET56125VX	1
FT56115	1
HM56101	10
LA56100	1
LGP56006VX	1
LGP56007VX	1
LGP56008VX	2
M8310N	10
M8440N	10
M10310N	54
M10440N	54
VCBHC10x70I	8
VECM10	30
VEFM10	16
VTH6x30A	10
VTH10x100	8
VTRCC10x100	30
VCBHC10x30I	8

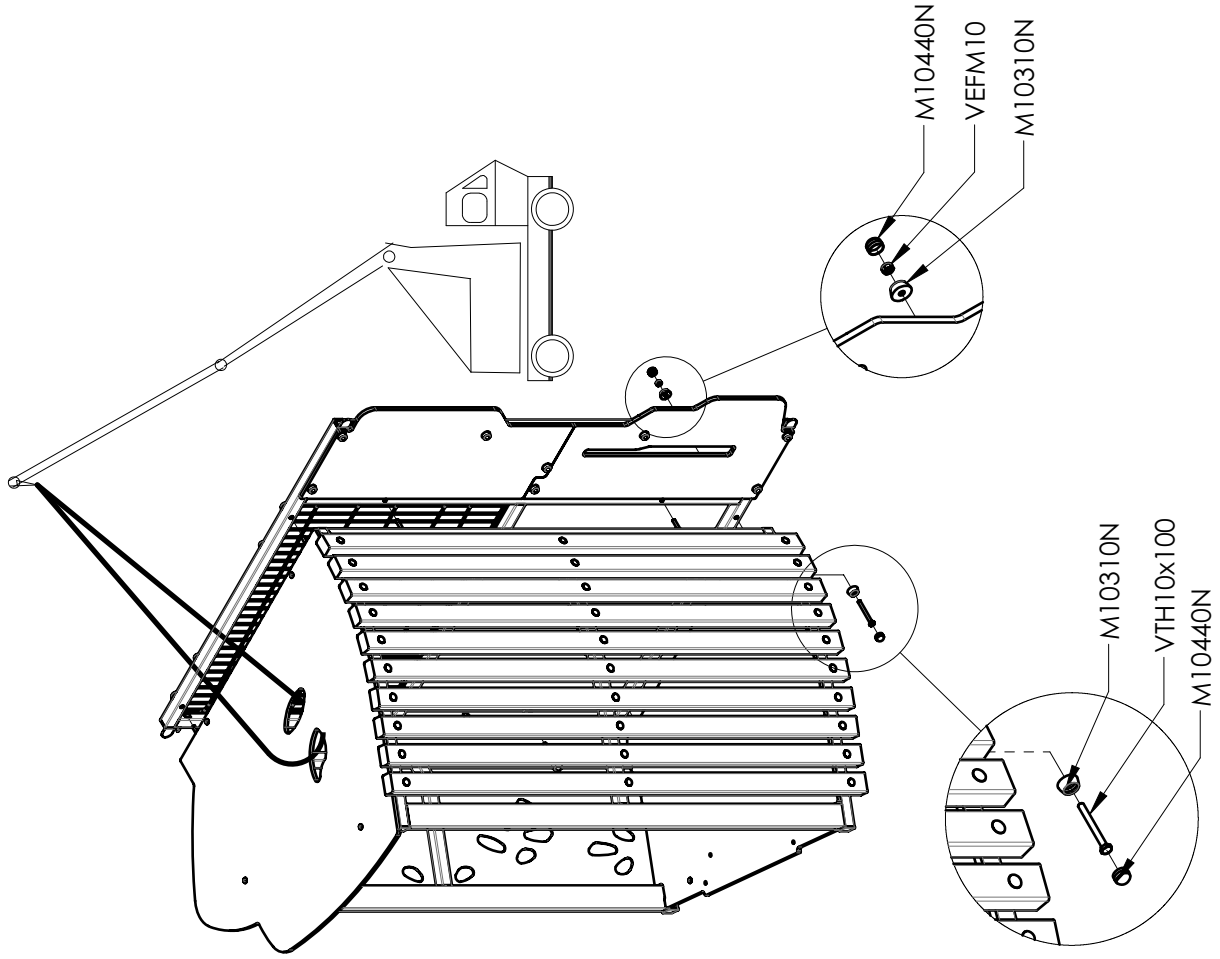
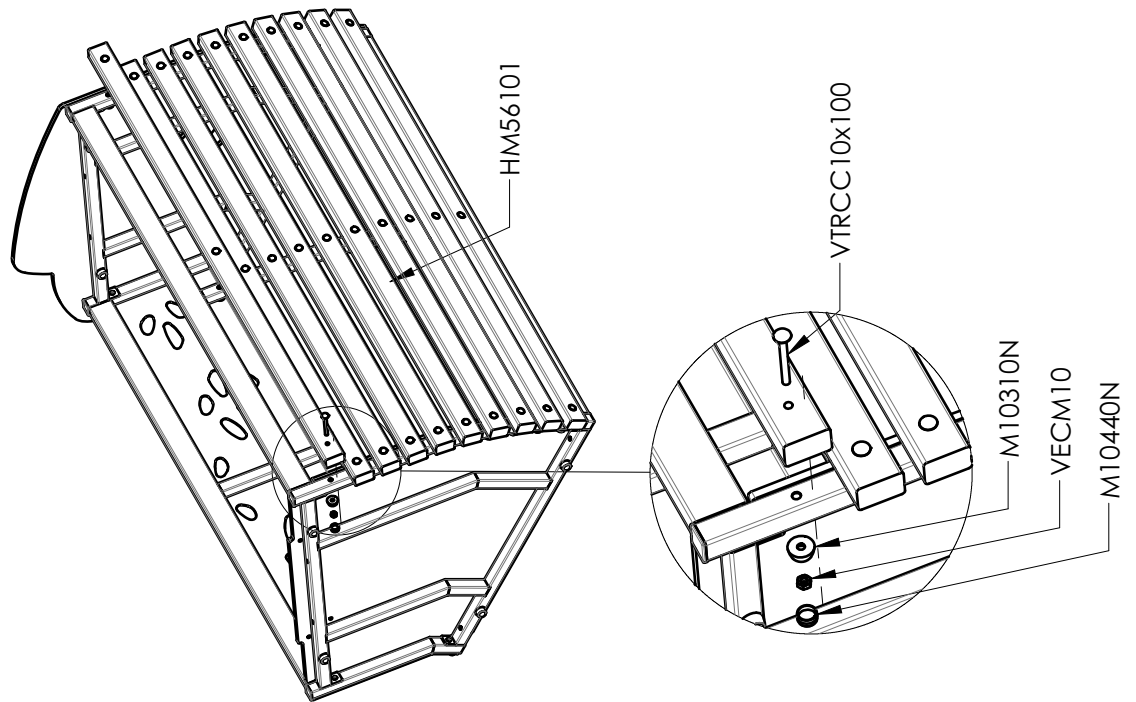




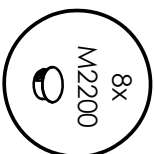
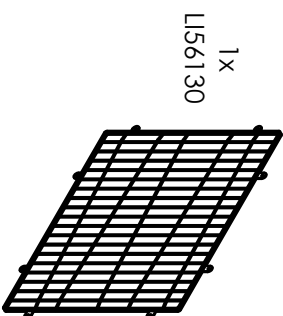
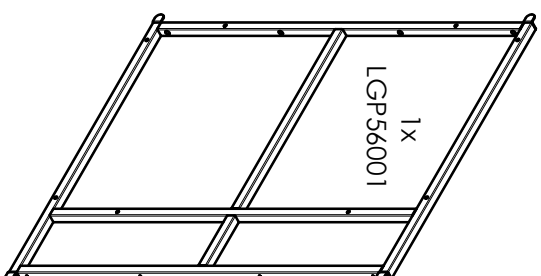
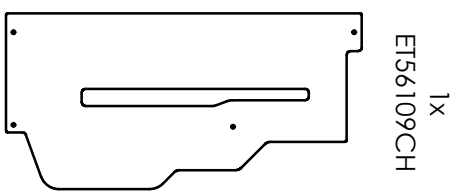
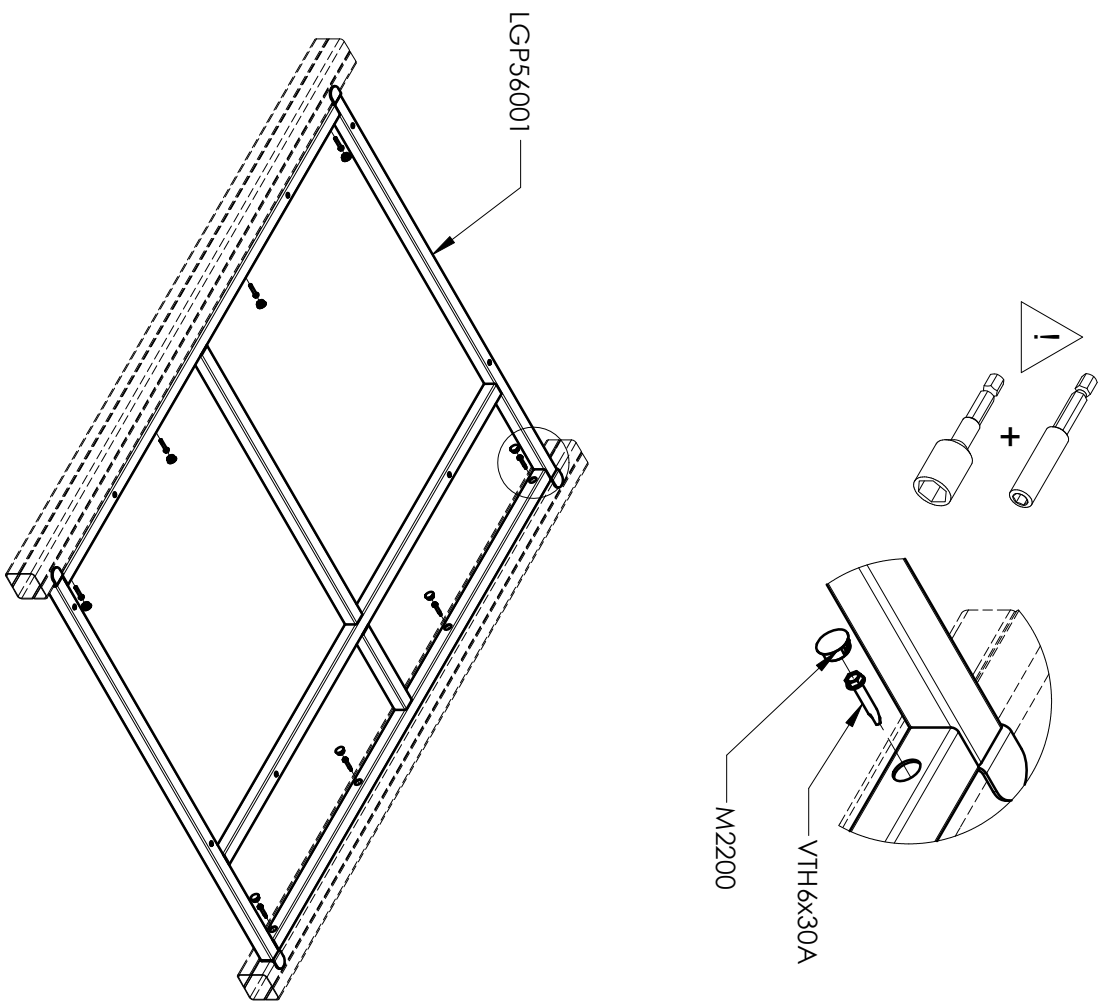


M4040	4
M8310N	10
M8440N	10
M10310N	54
M10440N	54
VCBHCM10x70I	8
VECM10	30
VEFM10	16
VTH6x30A	10
VTH10x100	8
VTRCC10x100	30
LA56100	1
HM56101	10
FT56115	1
ET56126VX	1
LGP56006VX	1
LGP56007VX	1
LGP56008VX	2
VCBHCM8x30I	8



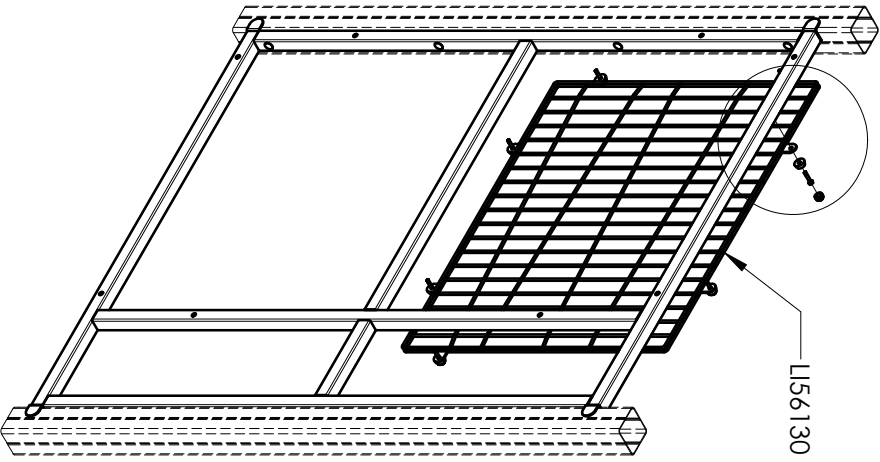
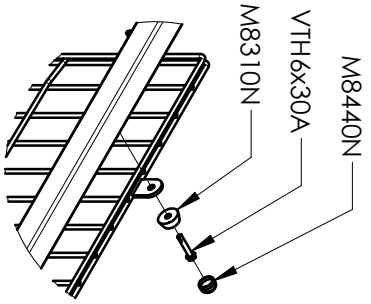


1

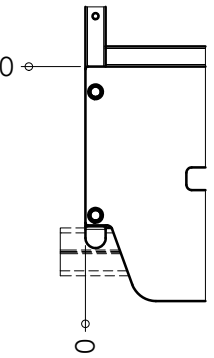
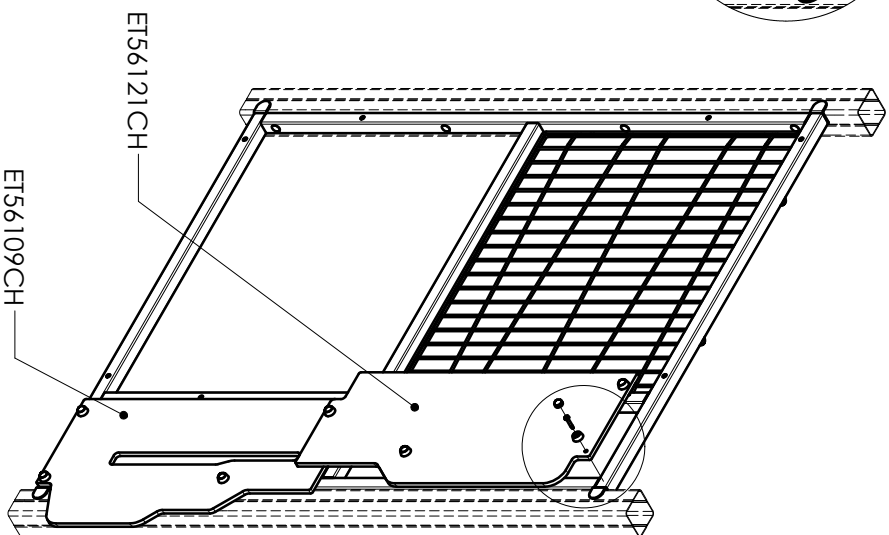
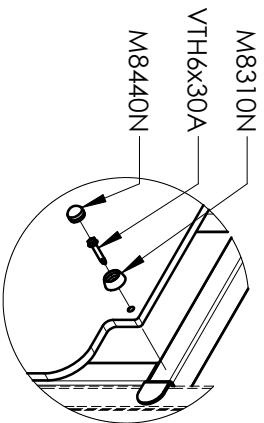


ET56109CH	1
ET56121CH	1
LGP56001	1
LI56130	1
M2200	8
M8310N	16
M8440N	16
VTH6x30A	24

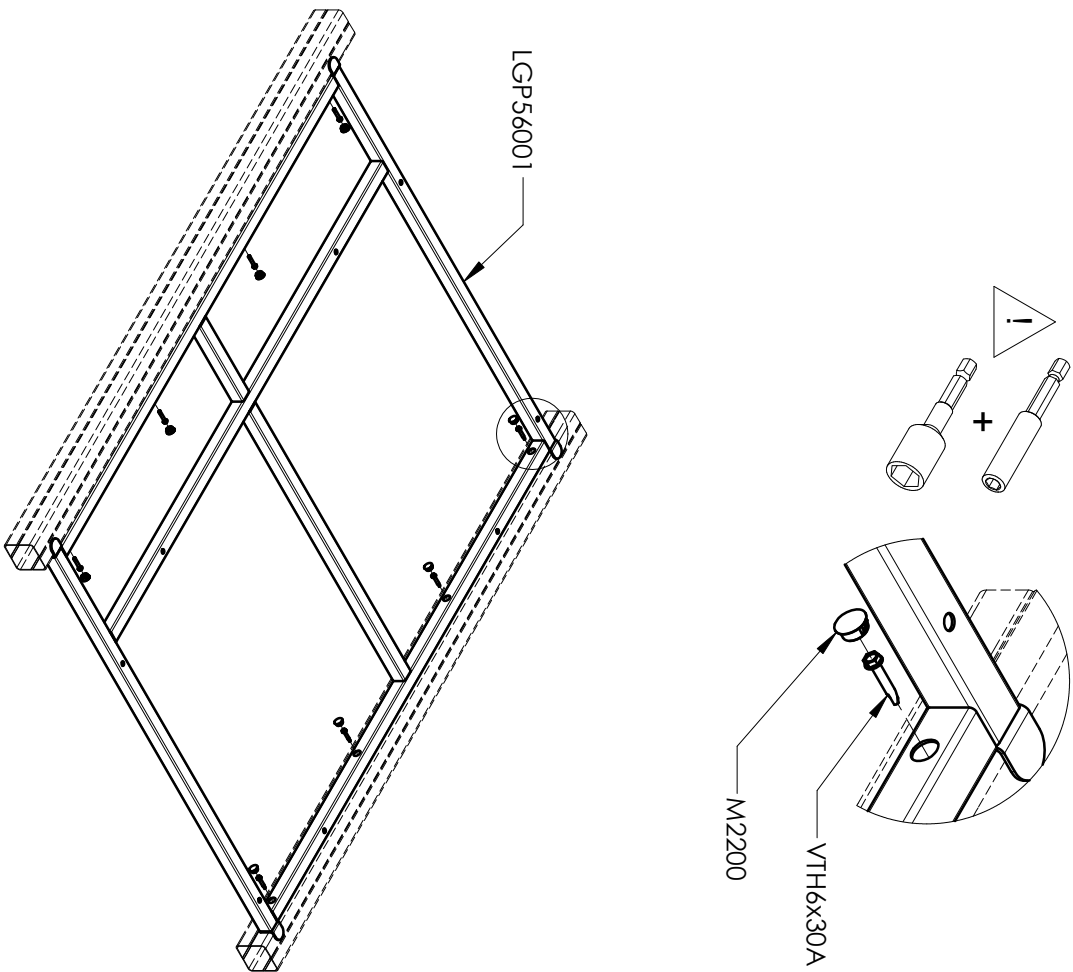
2



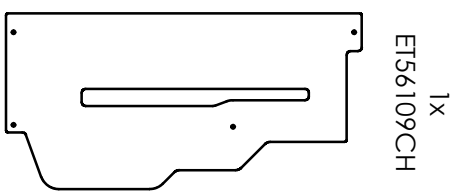
3



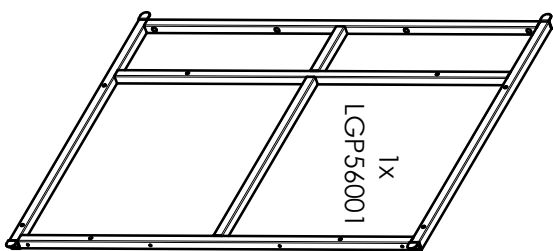
1



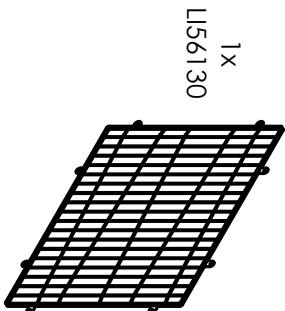
1x
ET56121CH



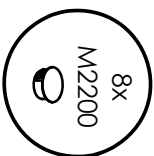
1x
ET56109CH



1x
LGP56001

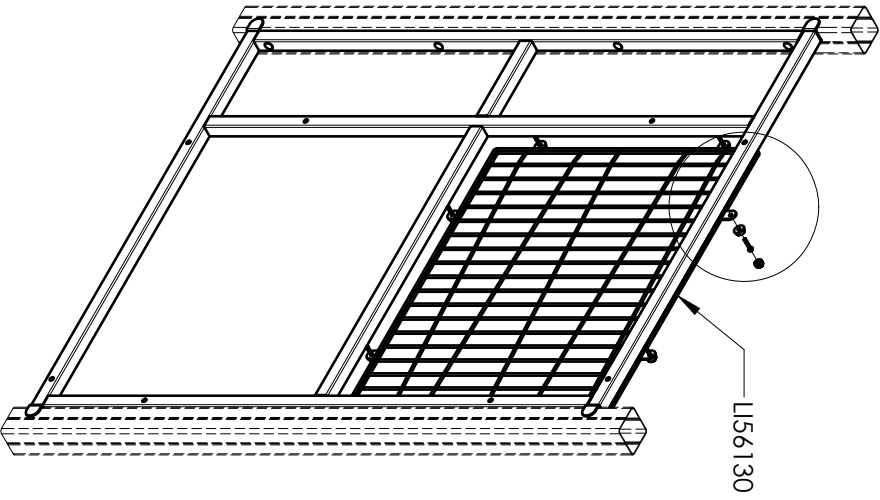
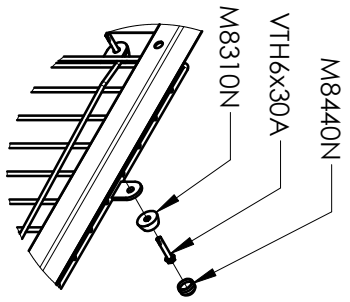


1x
LI56130

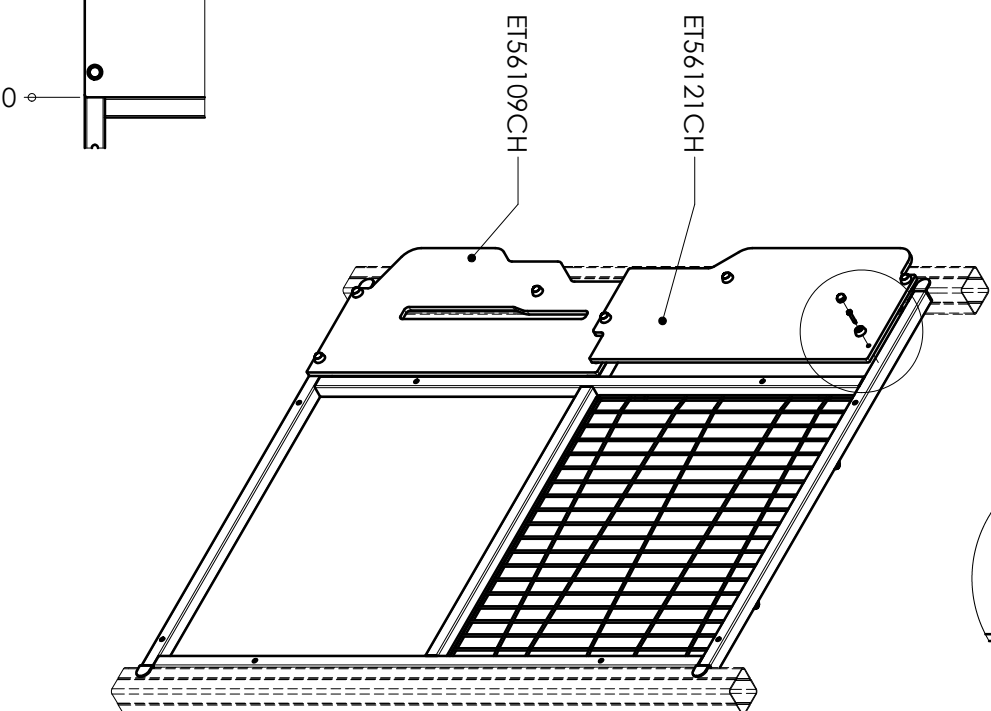
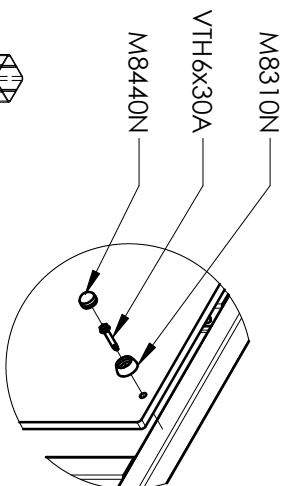


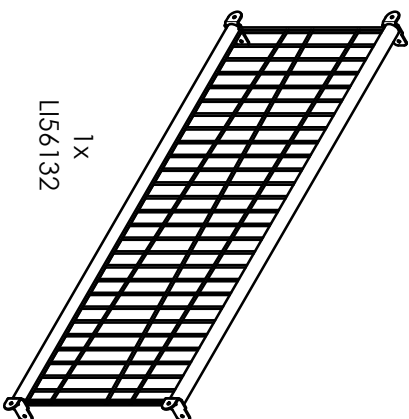
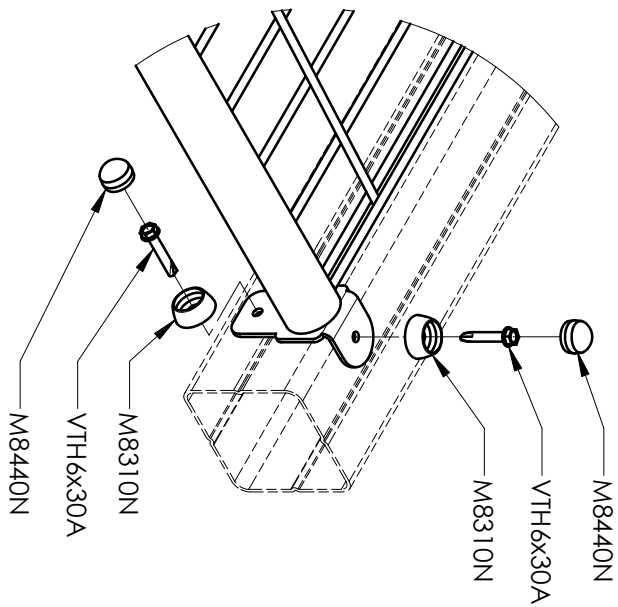
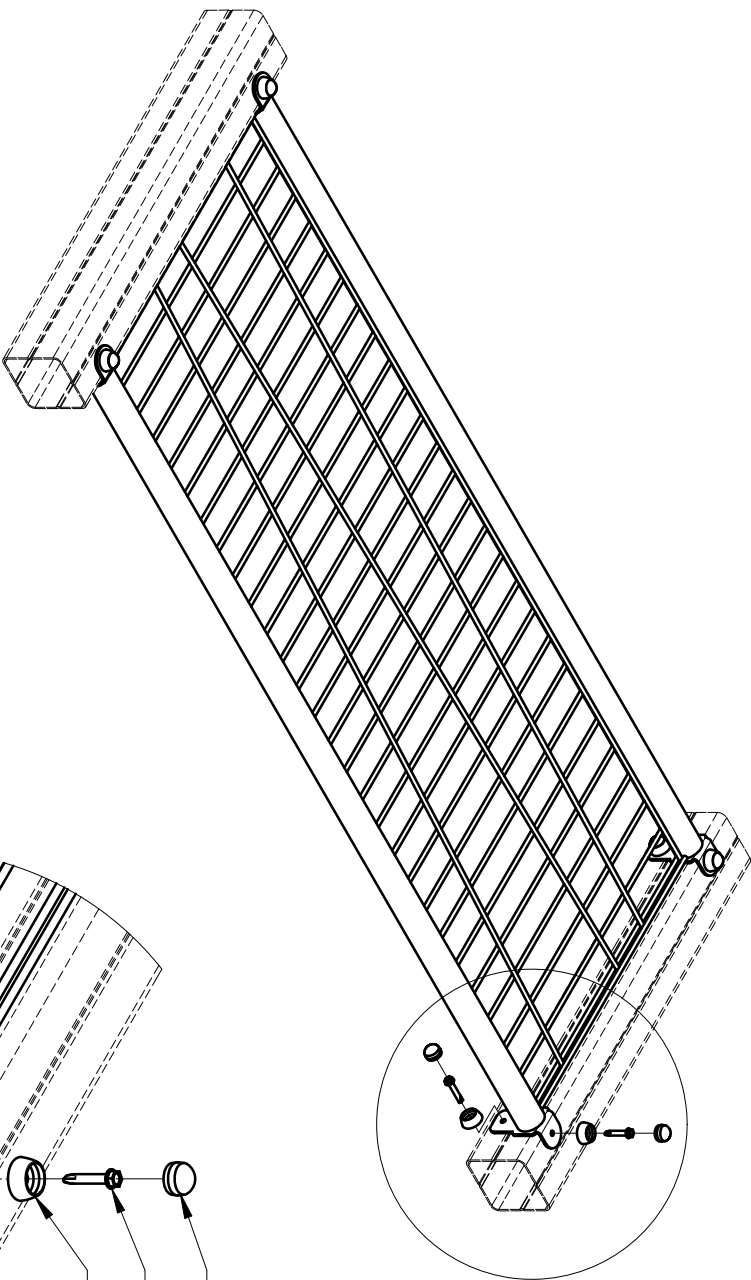
ET56109CH	1
ET56121CH	1
LGP56001	1
LI56130	1
M2200	8
M8310N	16
M8440N	16
VTH6x30A	24

2

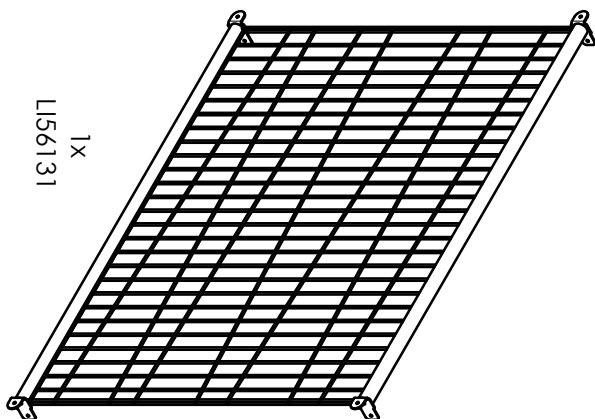
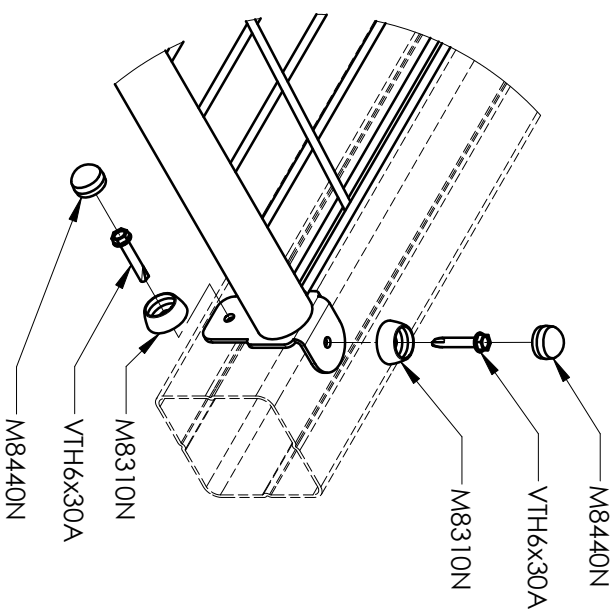
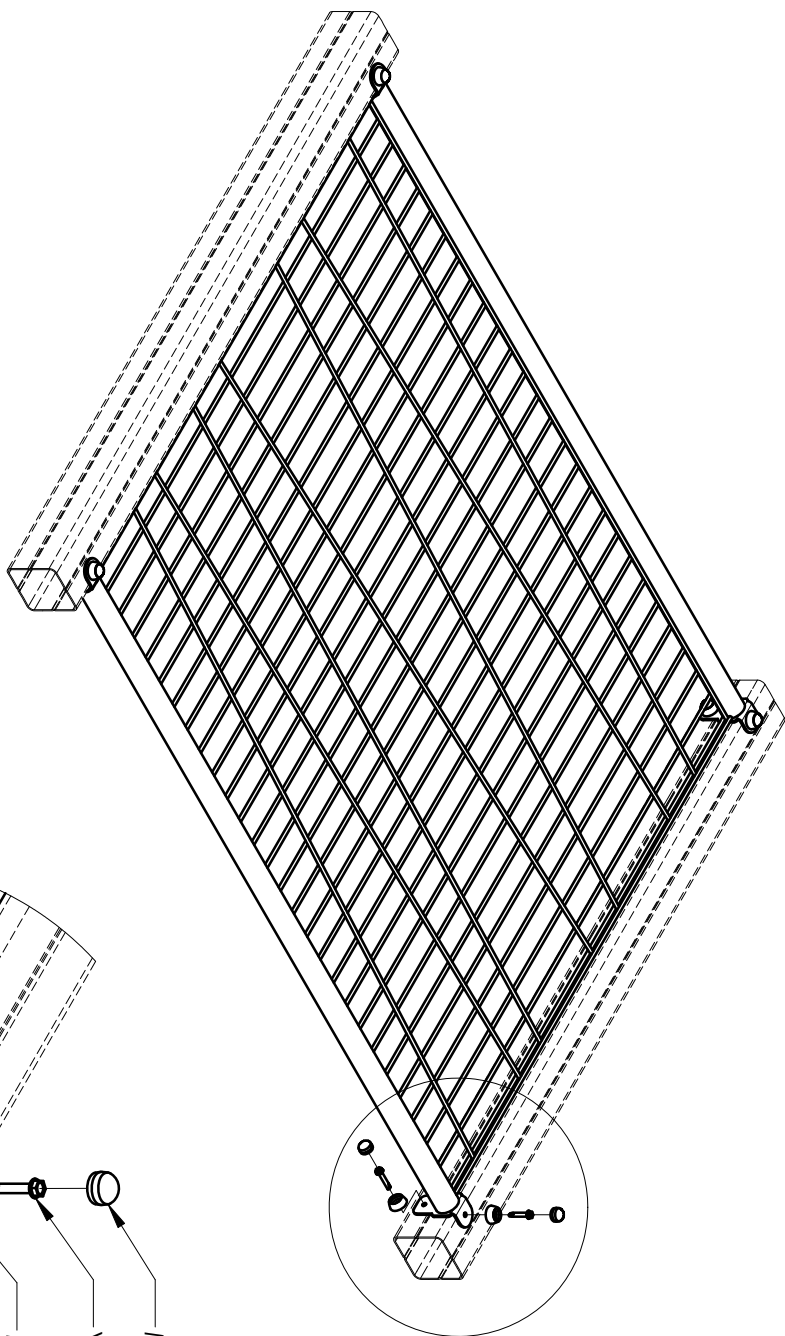


3





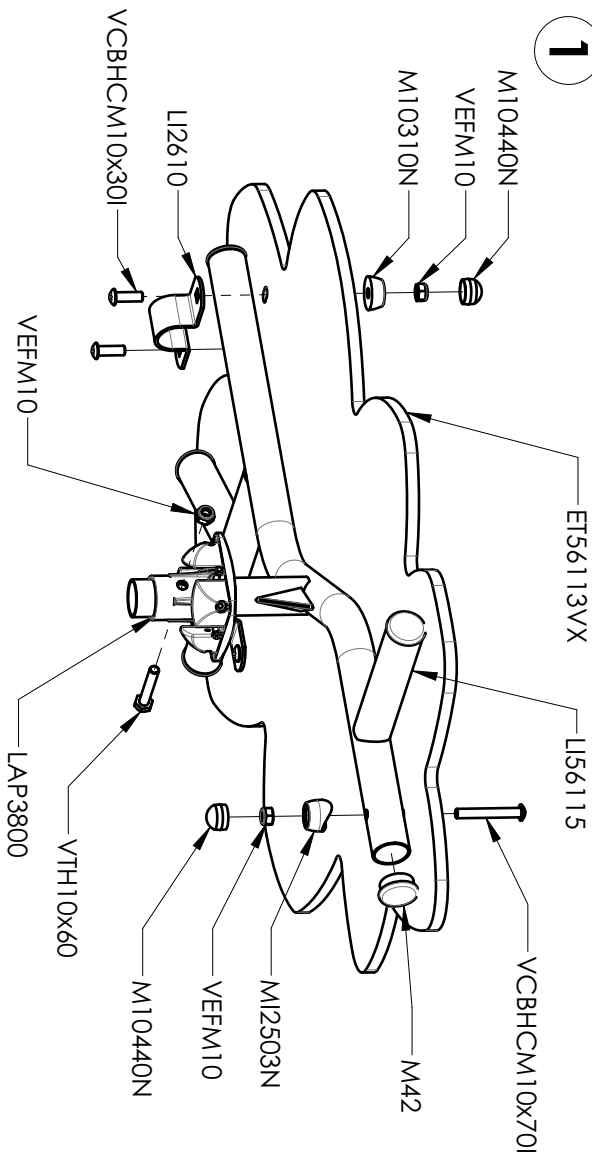
L56132	1
M8310N	8
M8440N	8
VTH6x30A	8



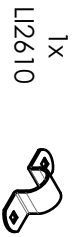
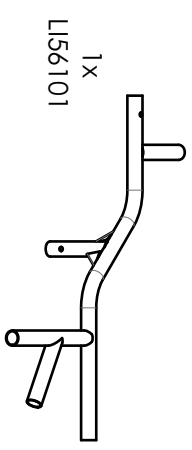
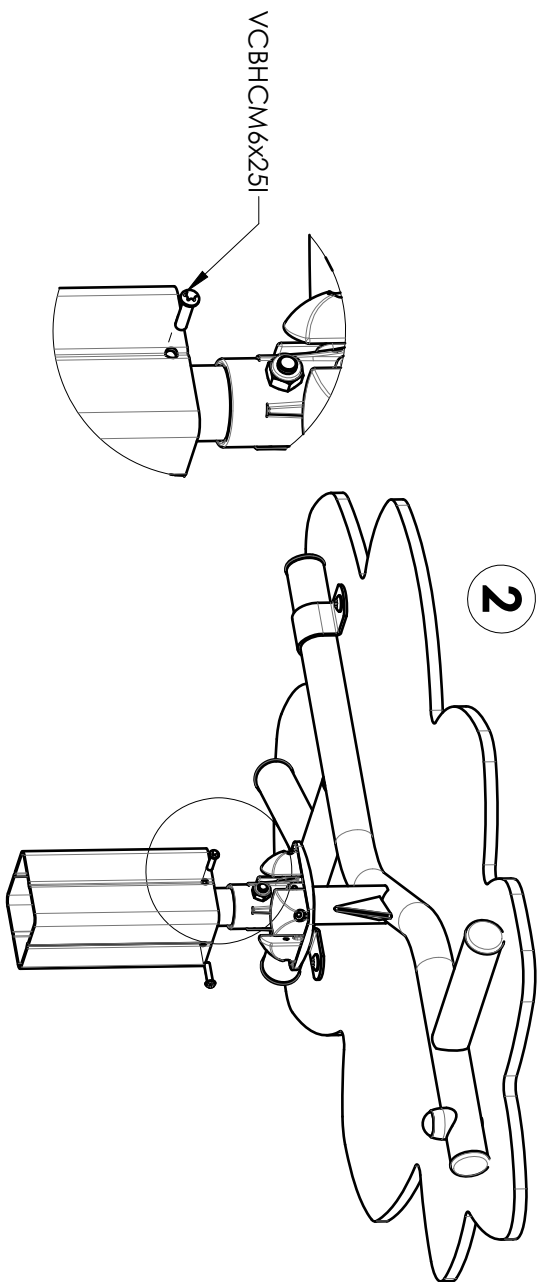
1x
L156131

L156131	1
M8310N	8
M8440N	8
VTH6x30A	8

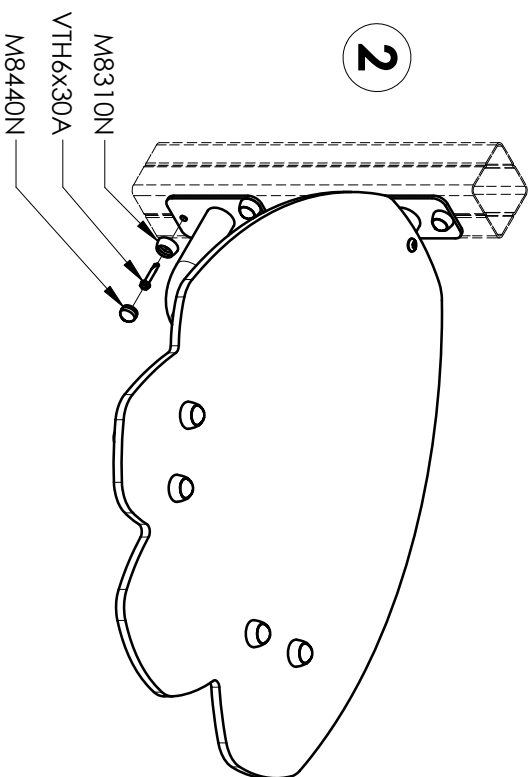
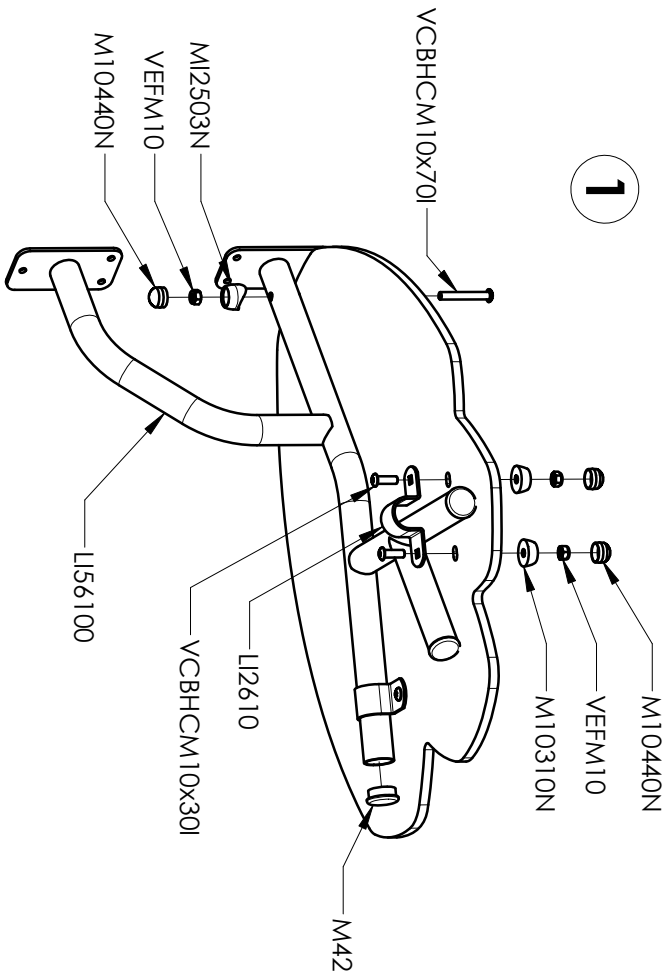
1



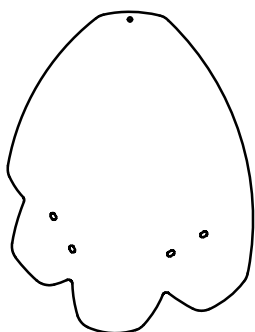
2



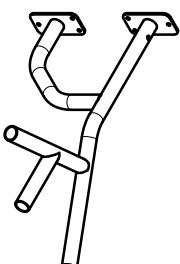
ET56113VX	1
LAP3800	1
L12610	2
LIS6101	1
M42	5
M10310N	4
M10440N	5
M12503N	1
VCBHCM6x25I	4
VCBHCM10x30I	4
VCBHCM10x70I	1
VEFM10	6
VTH10x60	1



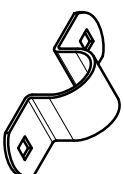
1X
ET56112PV



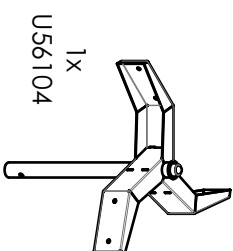
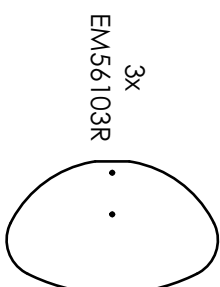
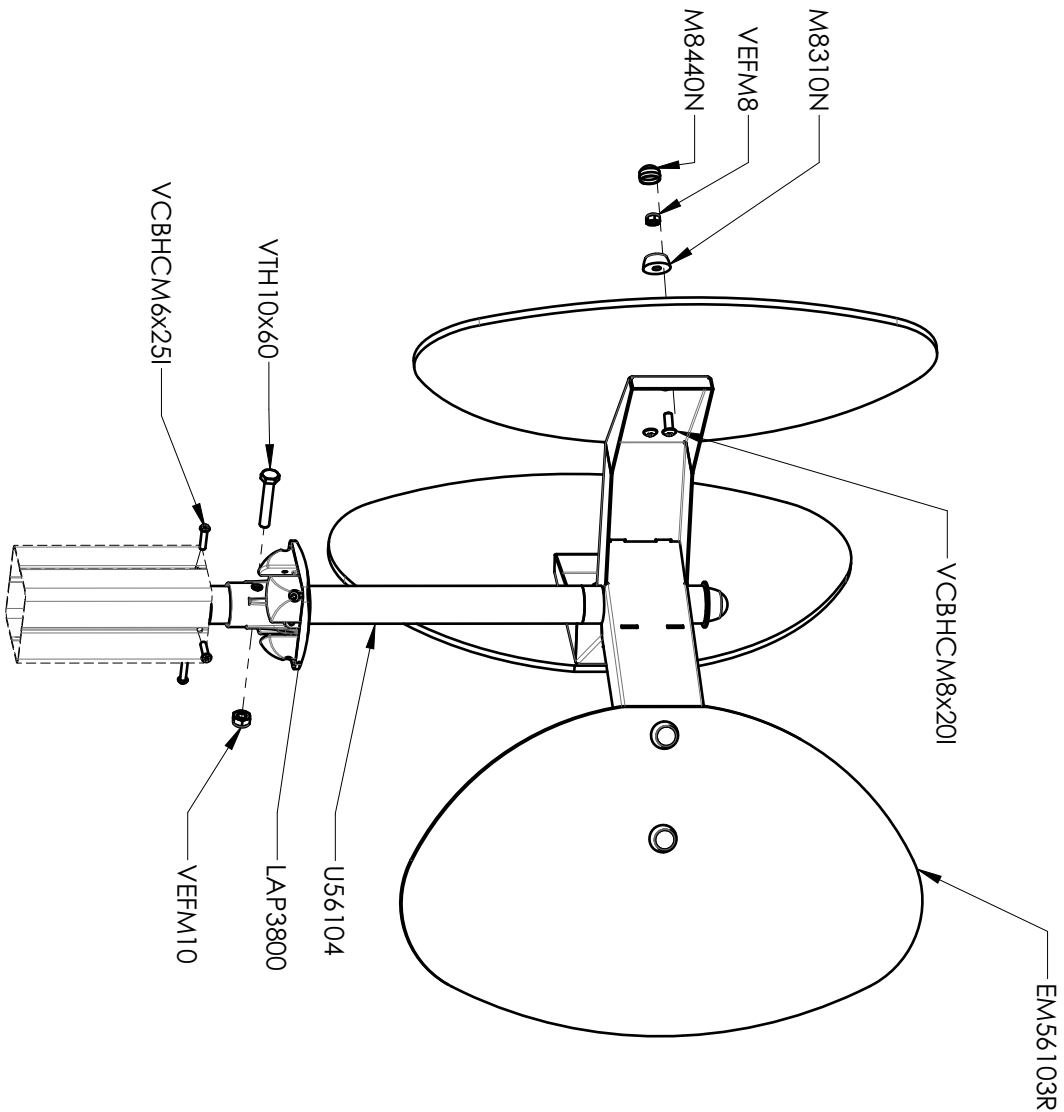
1X
LI56100



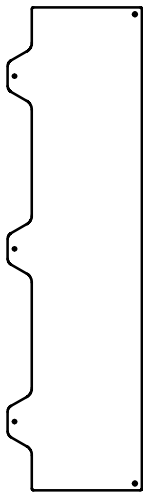
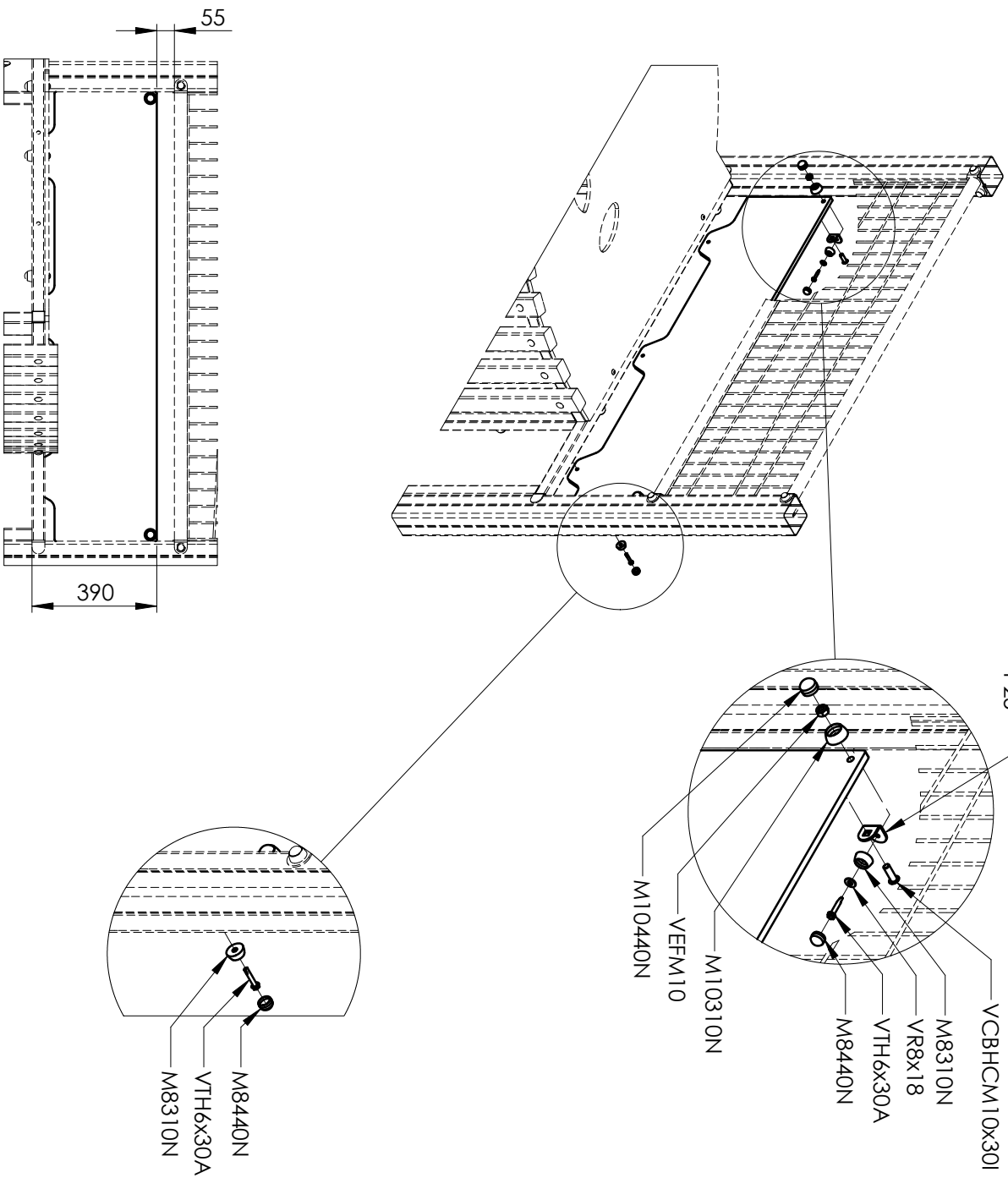
2X
LI2610



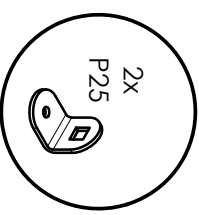
ET56112PV	1
LI2610	2
LI56100	1
M42	3
M8310N	6
M8440N	6
M10310N	4
M10440N	5
M12503N	1
VCBHCM10x30I	4
VCBHCM10x70I	1
VEFM10	5
VTH6x30A	6



EM56103R	3
LAP3800	1
M8310N	6
M8440N	6
U56104	1
VCBHCM6x25I	4
VCBHCM8x20I	6
VEFM8	6
VEFM10	1
VTH10x60	1

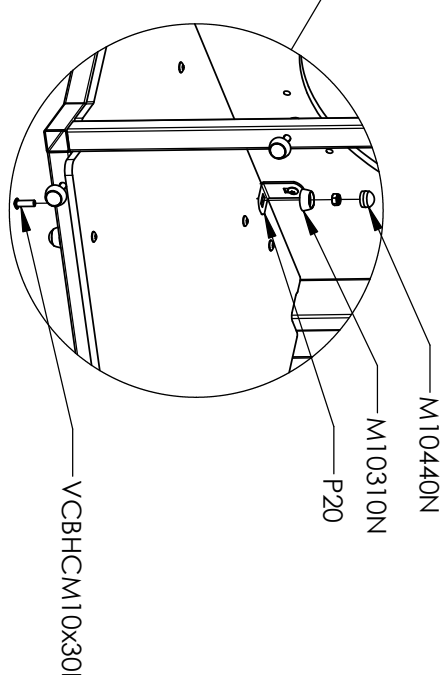
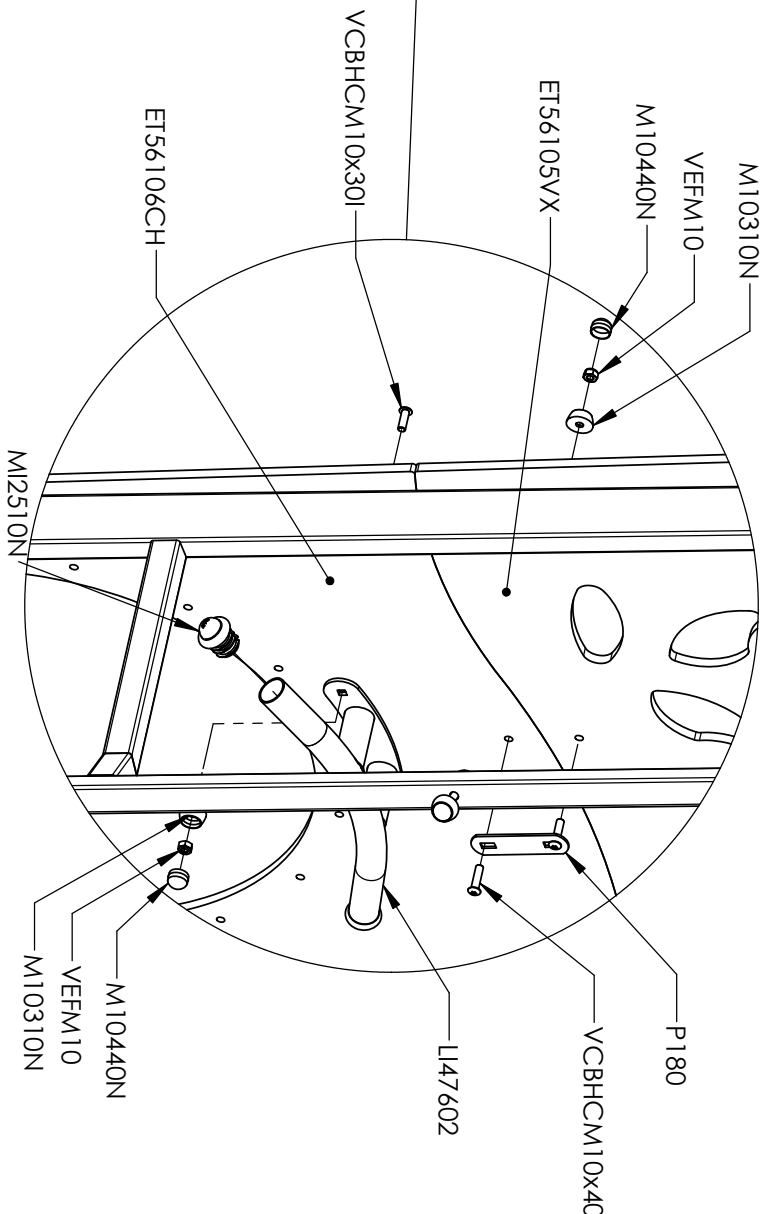
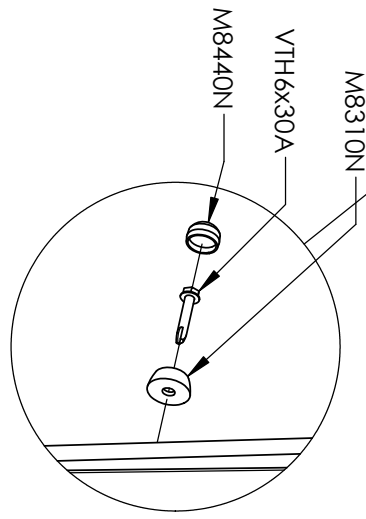
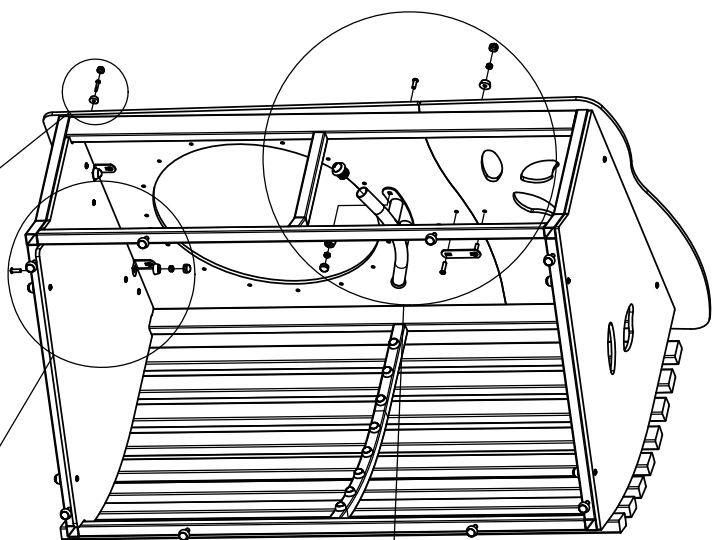


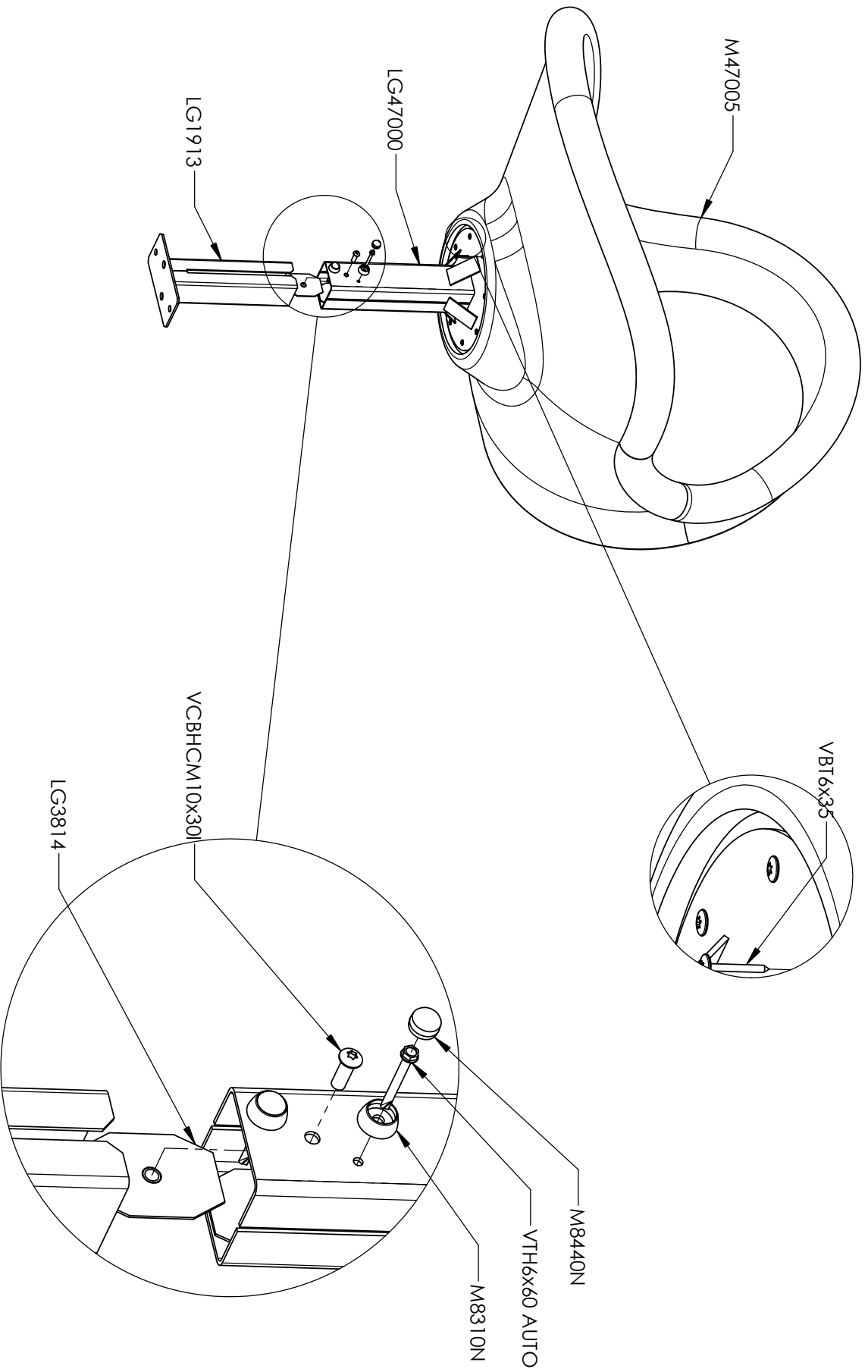
1x
ET56122CH

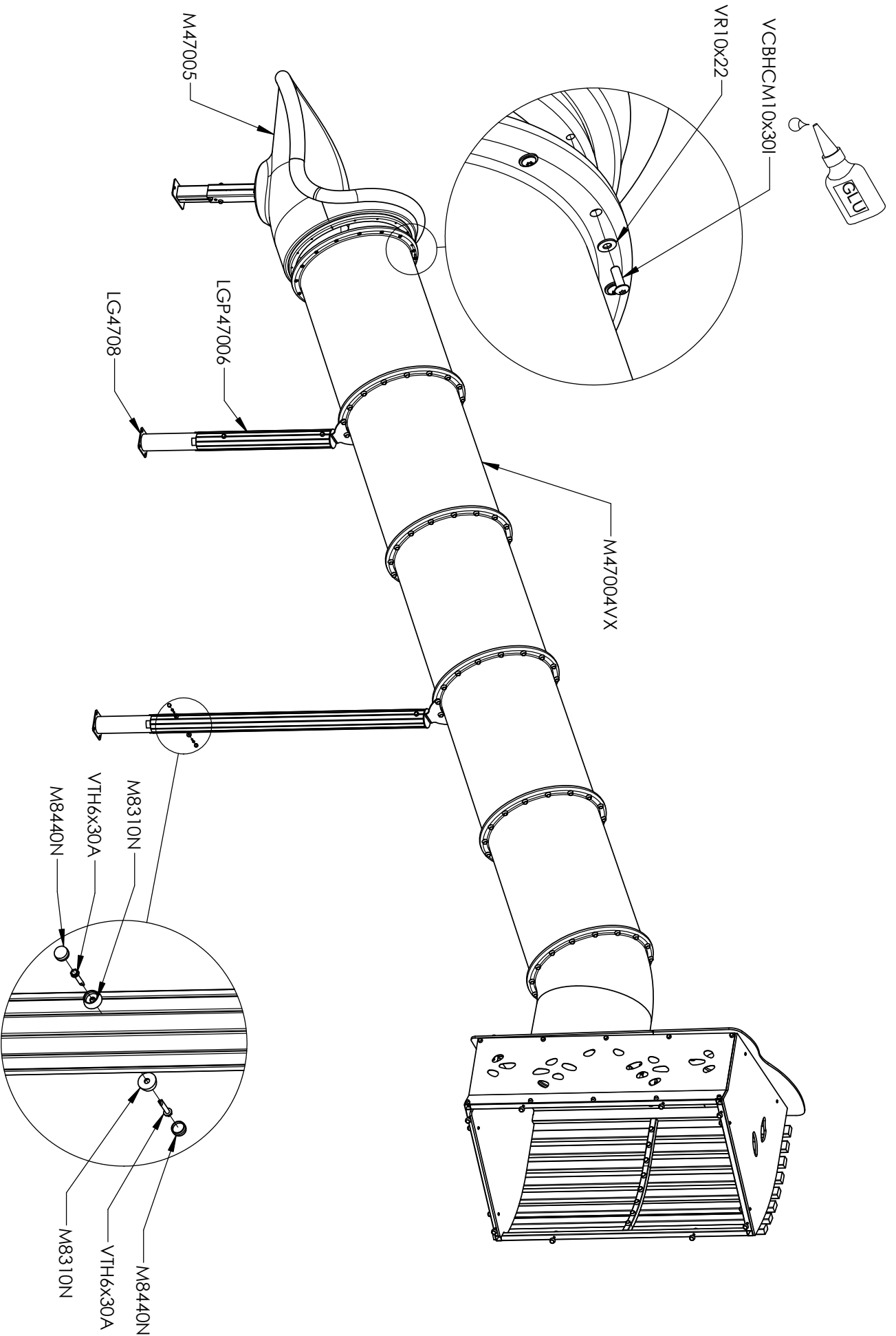


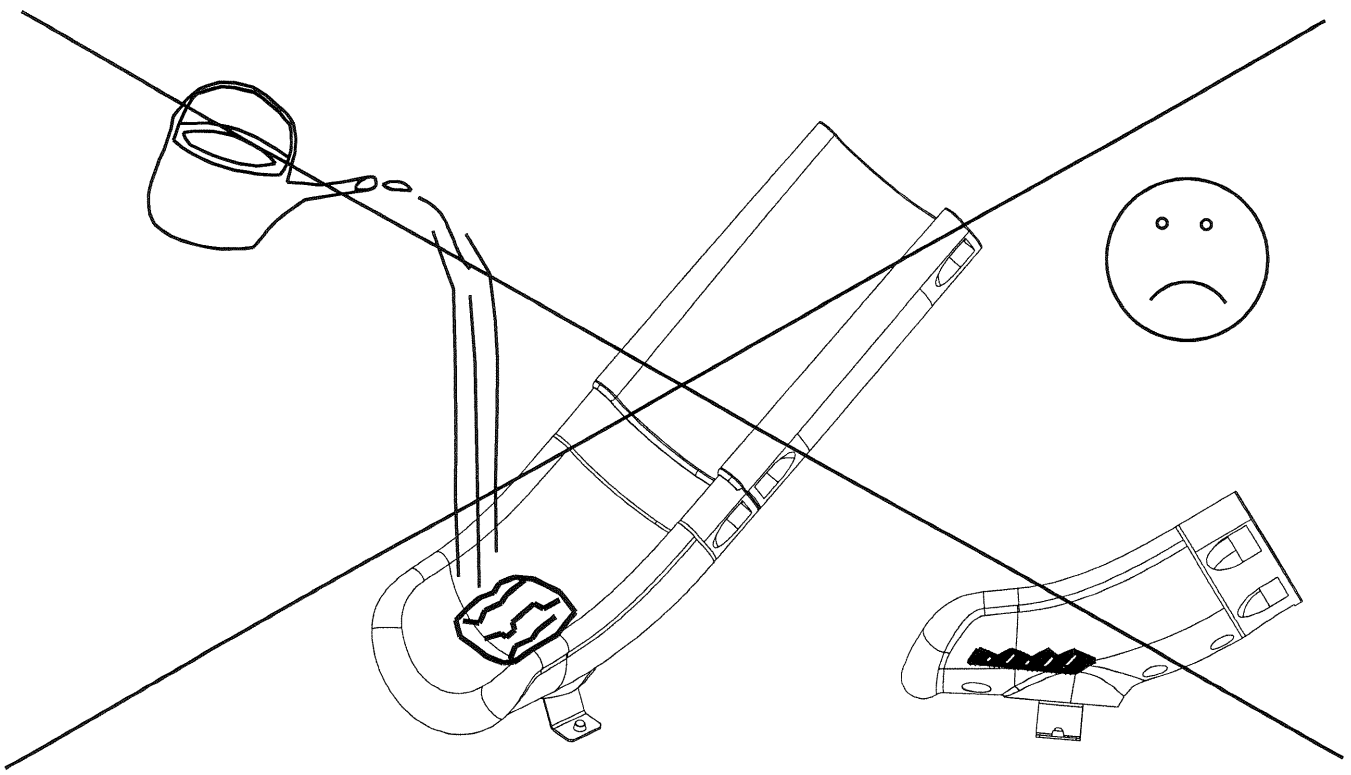
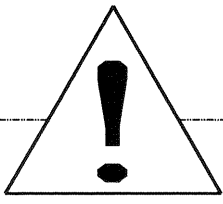
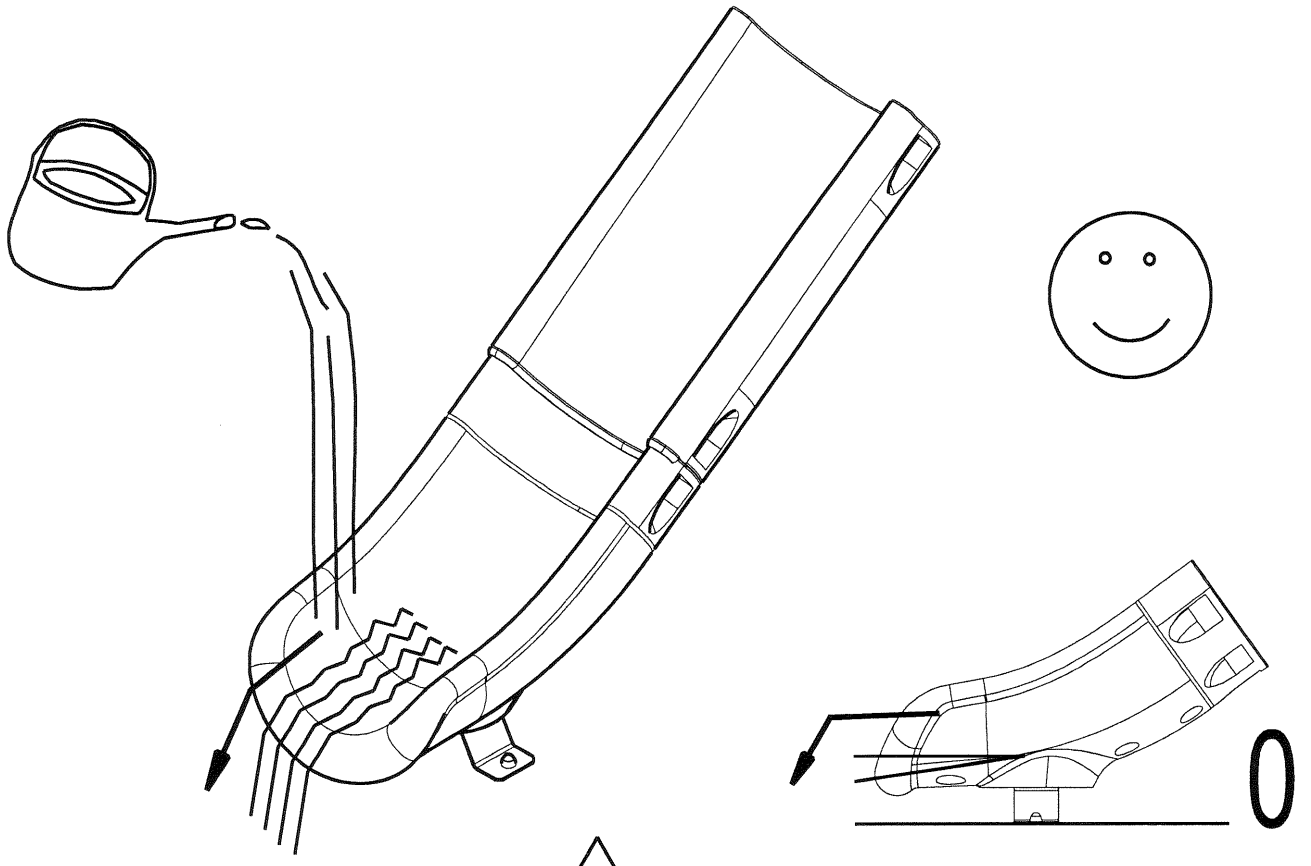
2x
P25

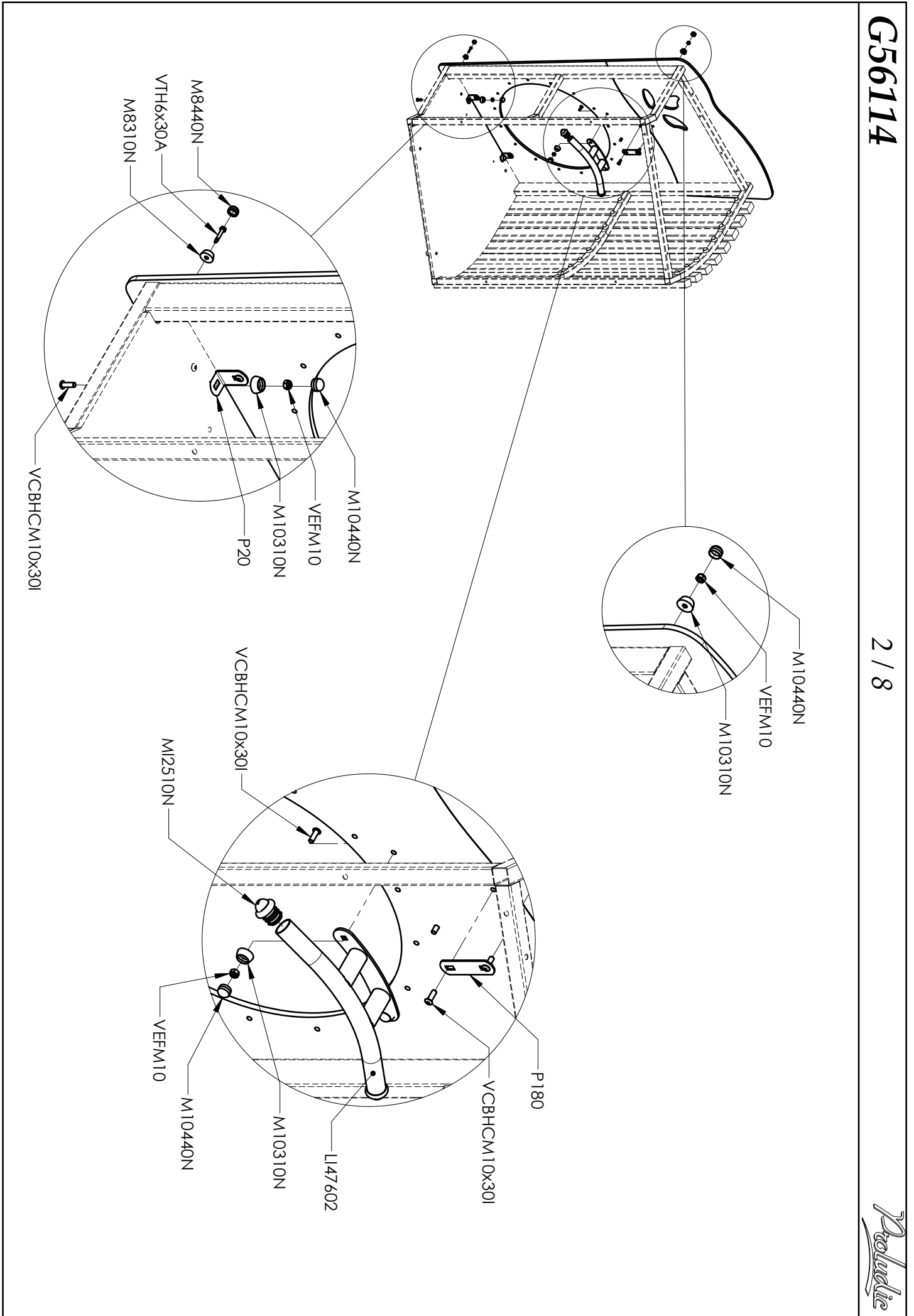
ET56122CH	1
M8310N	5
M8440N	5
M10310N	2
M10440N	2
P25	2
VCBHCM10x30I	2
VEFM10	2
VR8x18	2
VTH6x30A	5

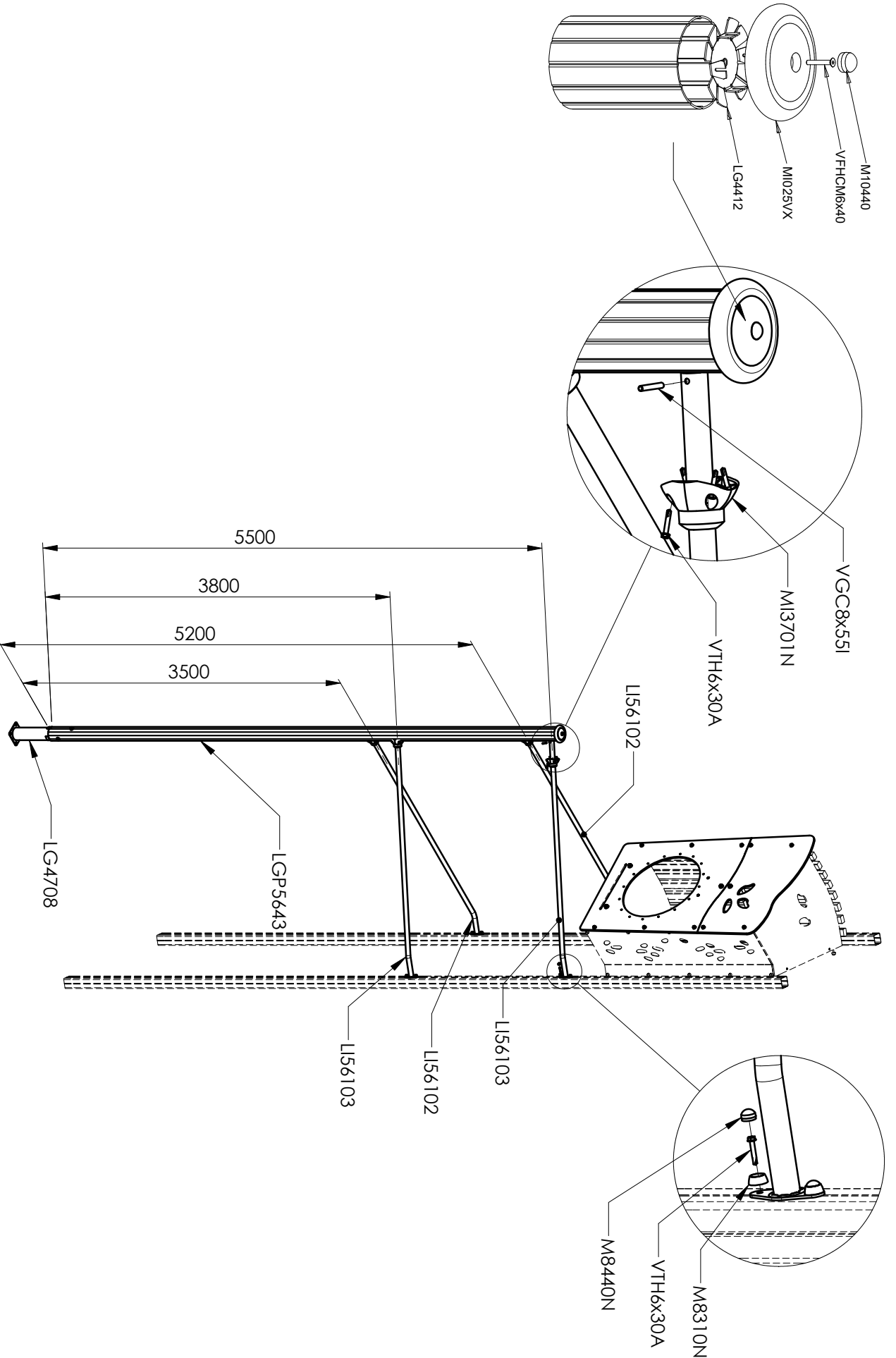


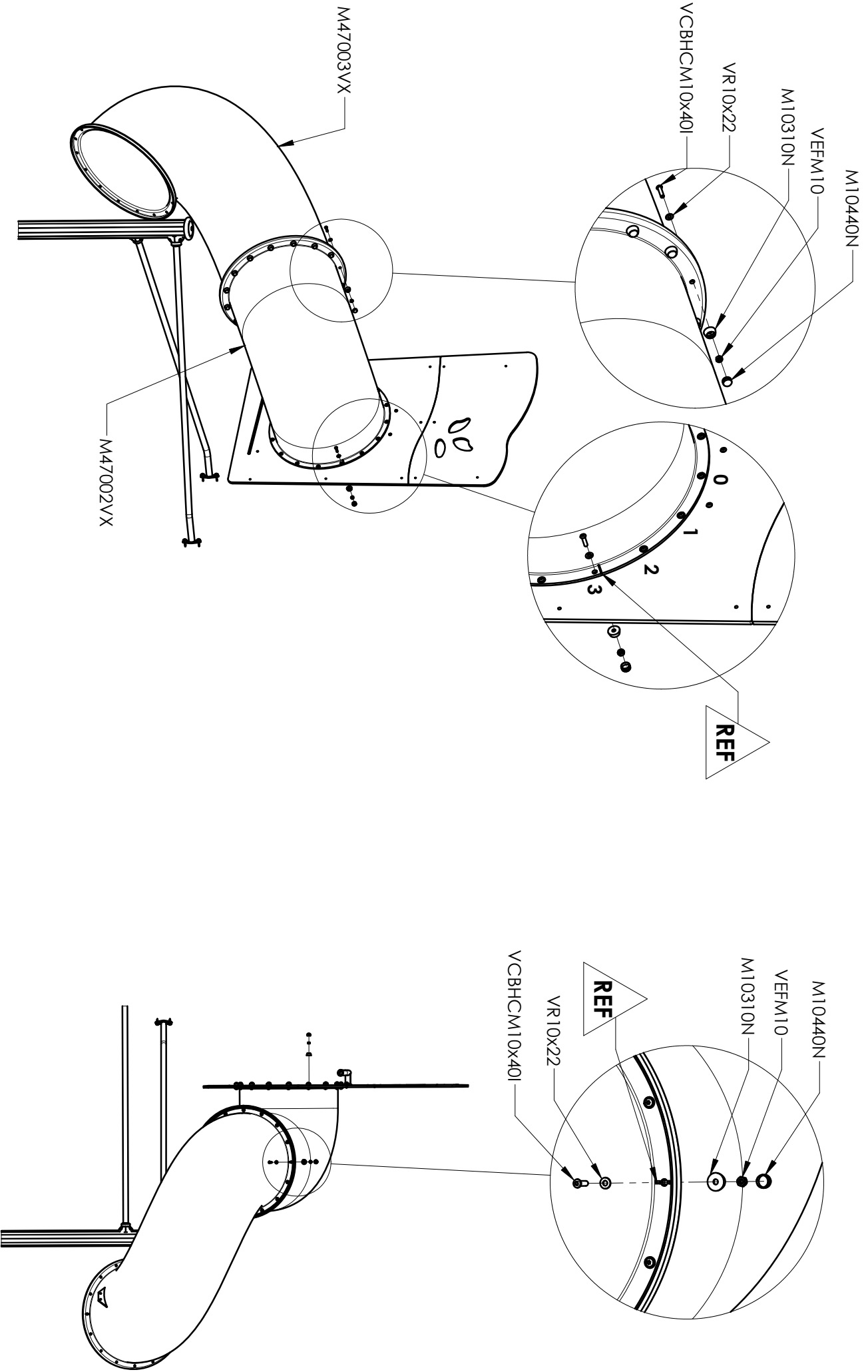


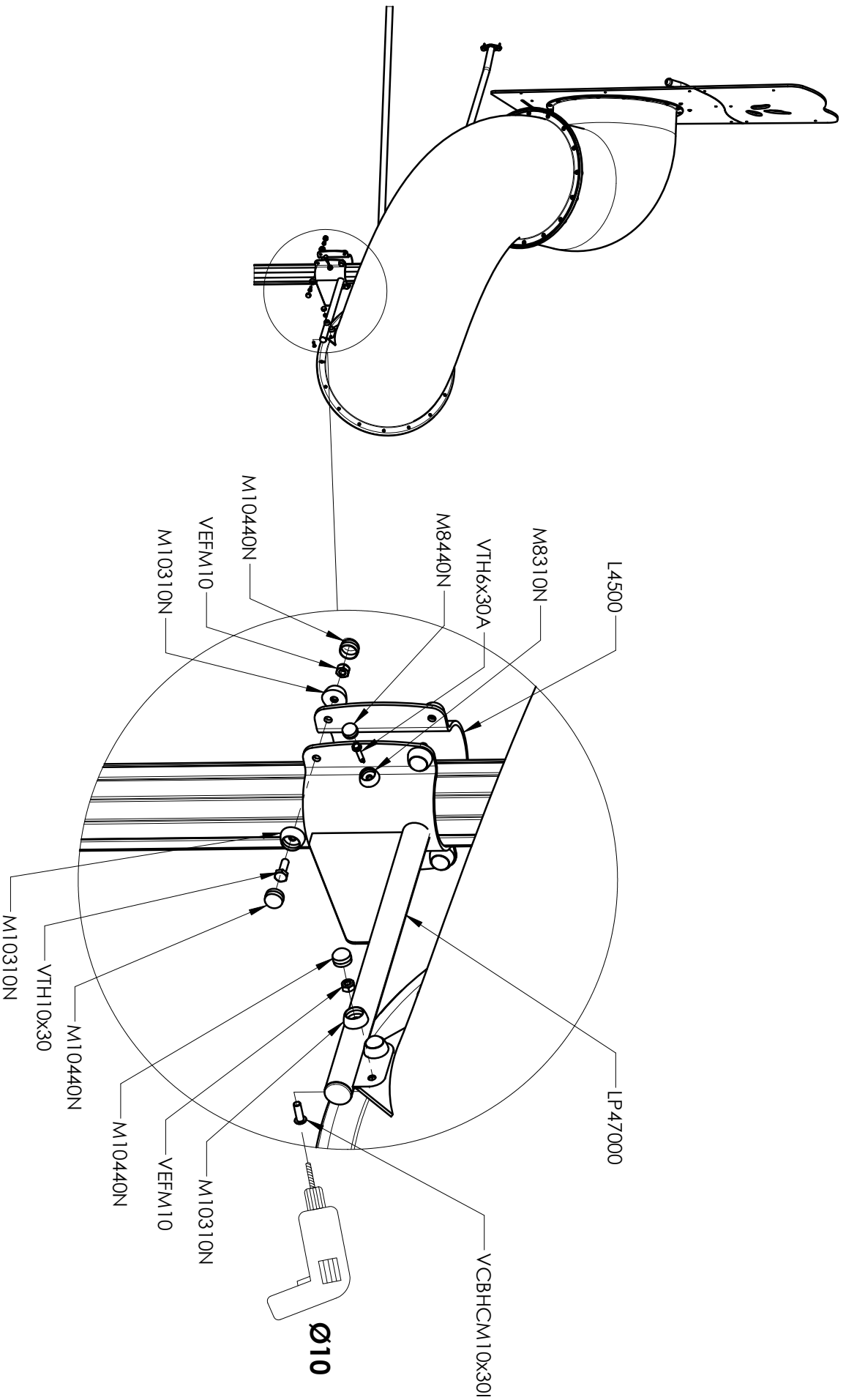


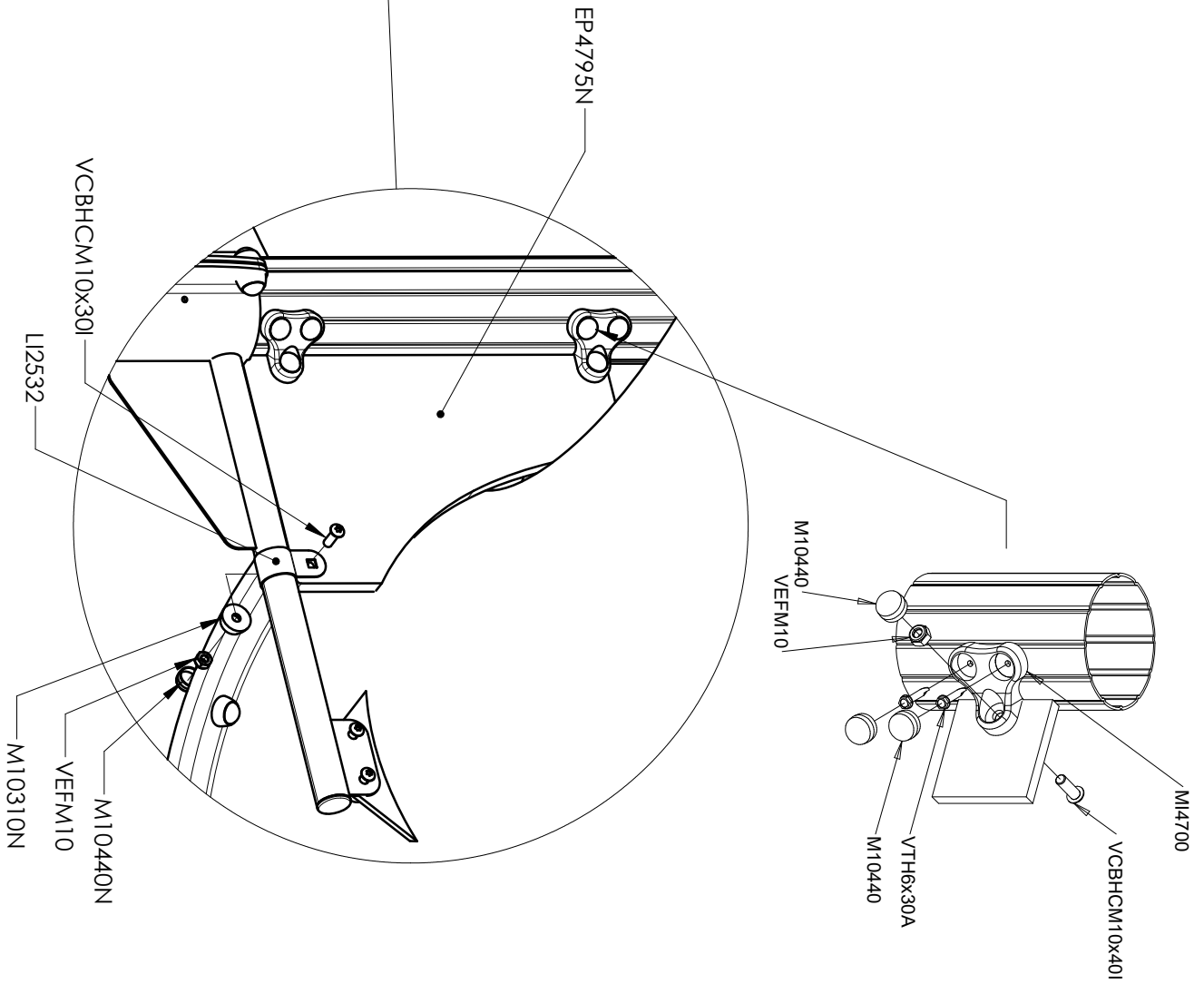
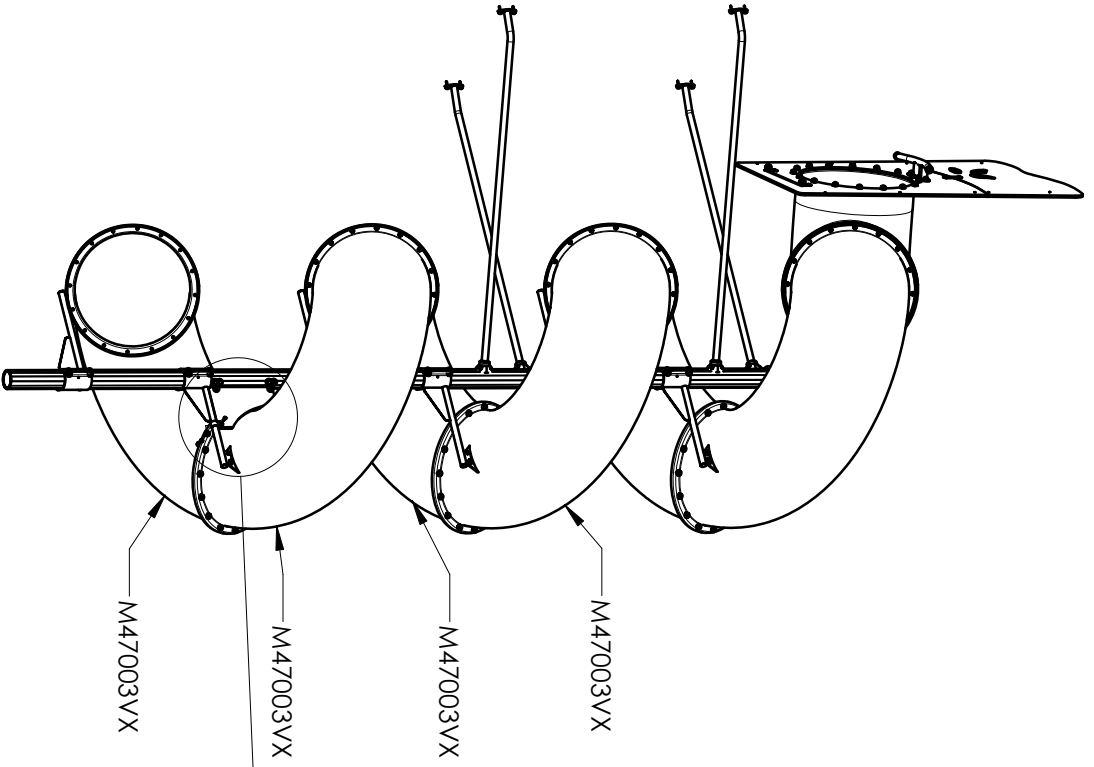


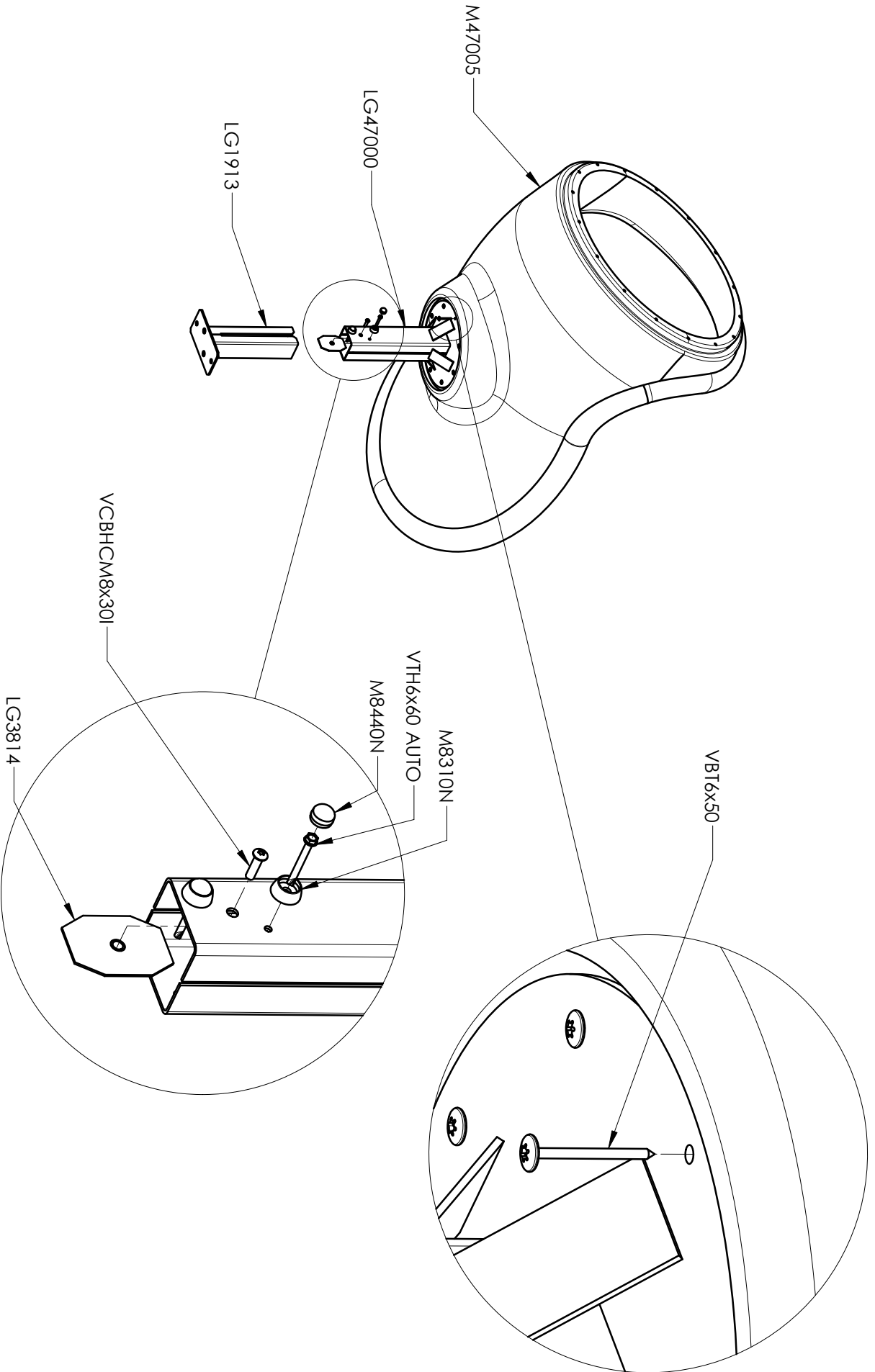


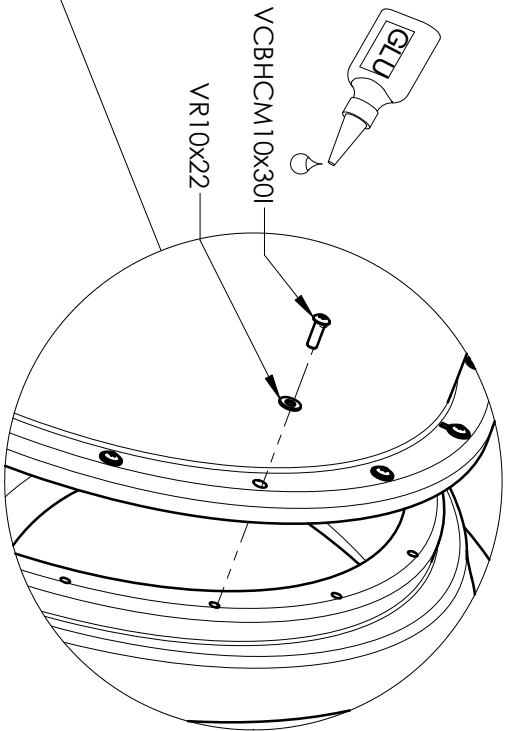
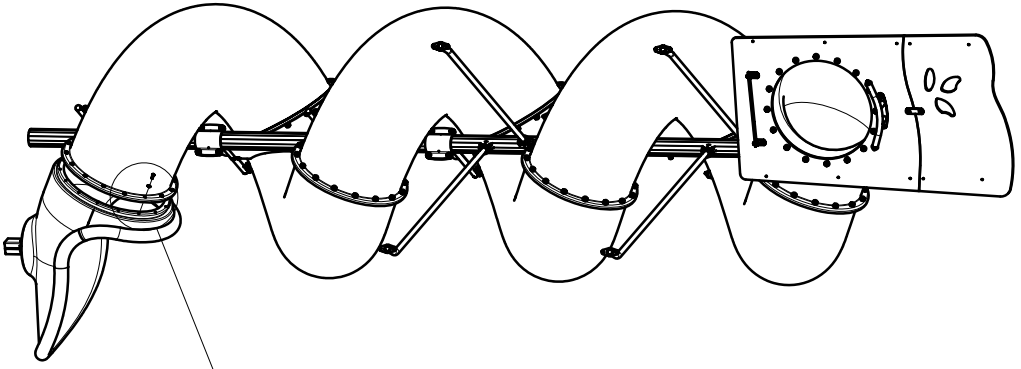


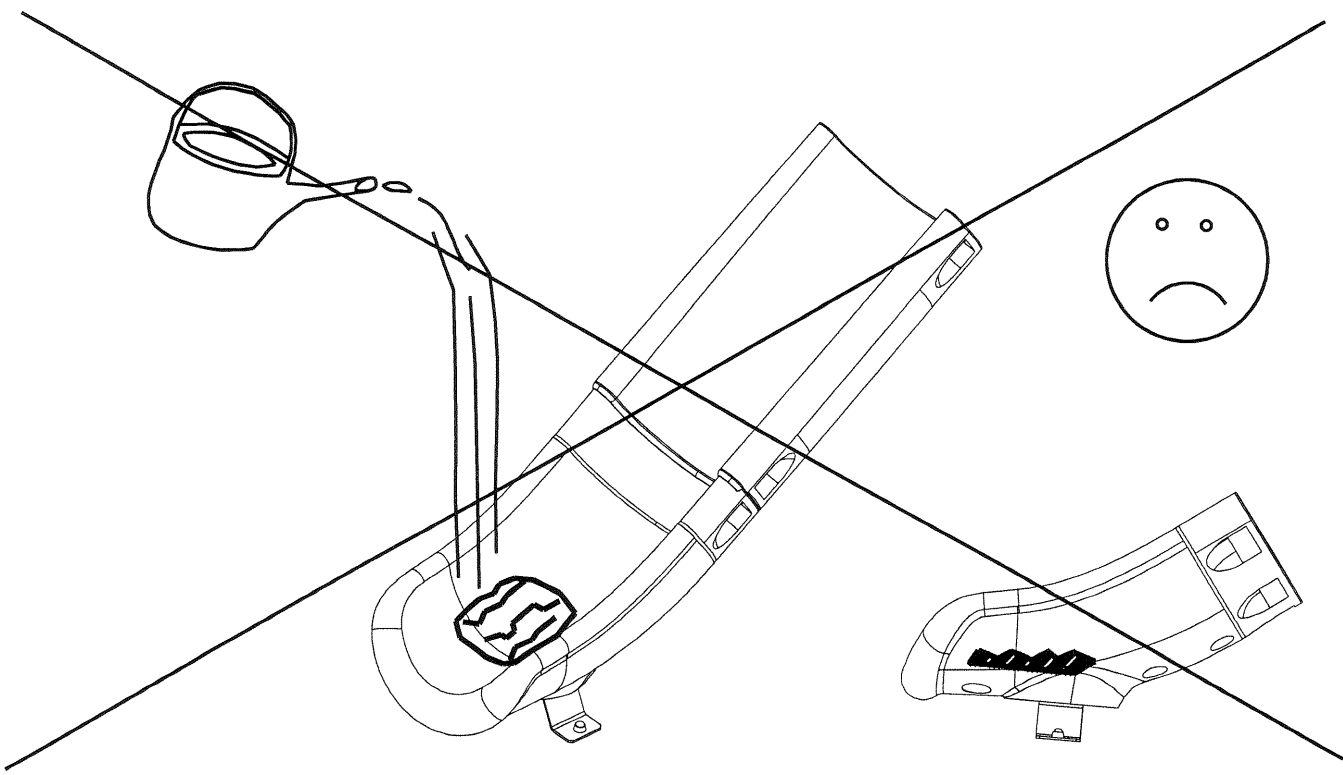
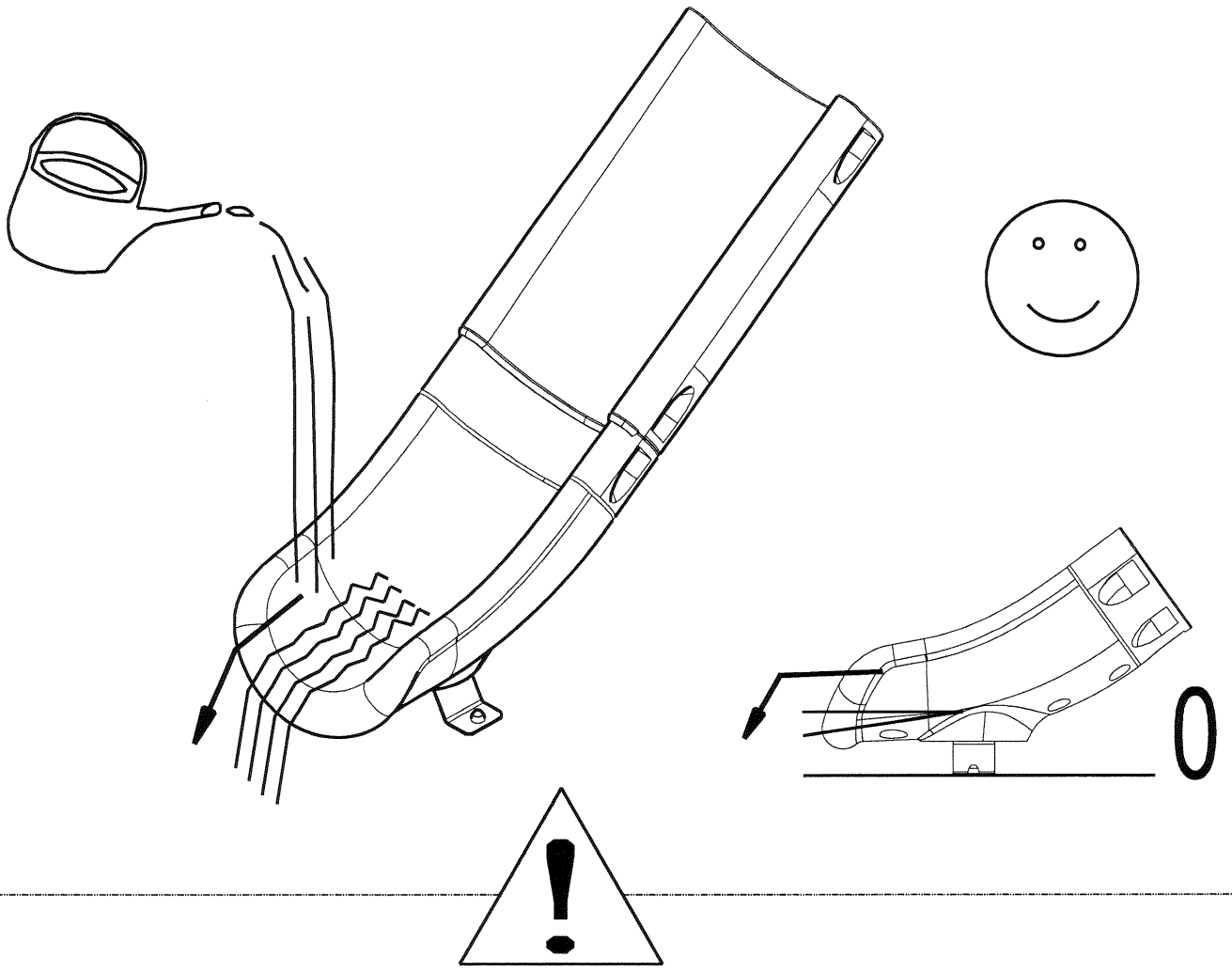


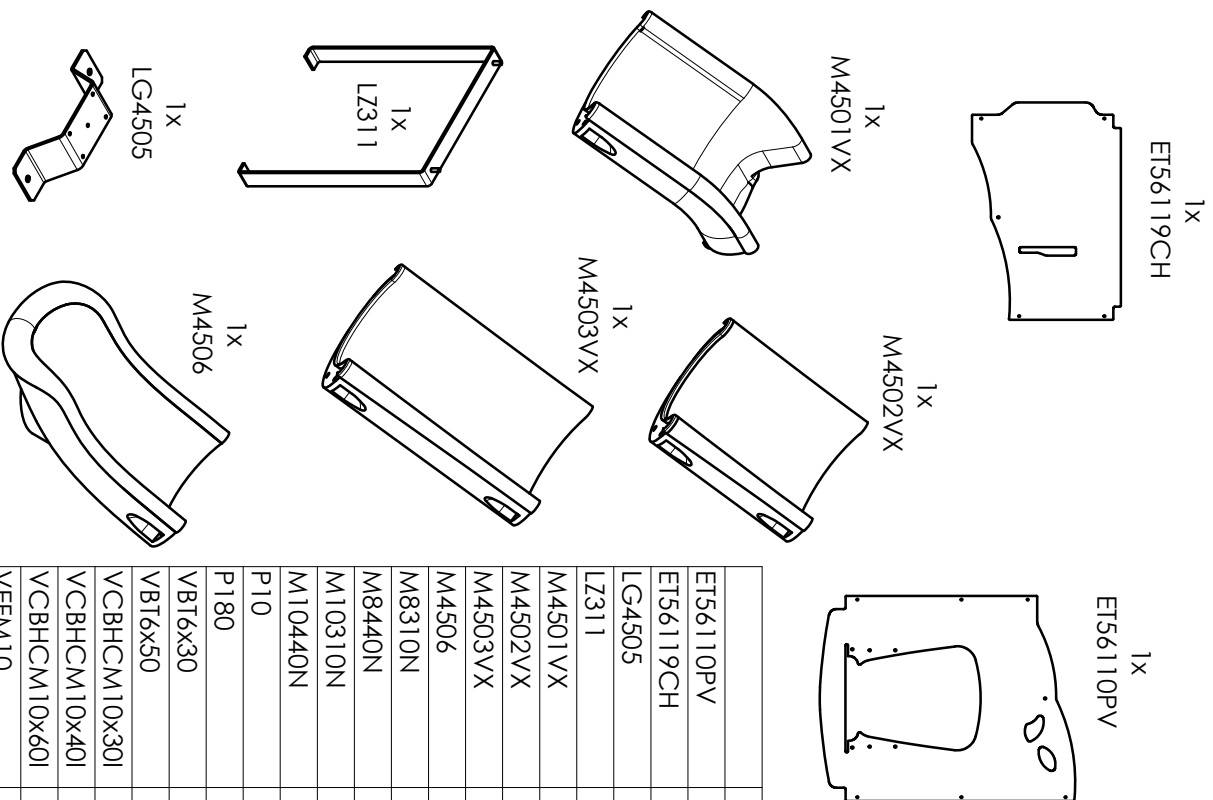
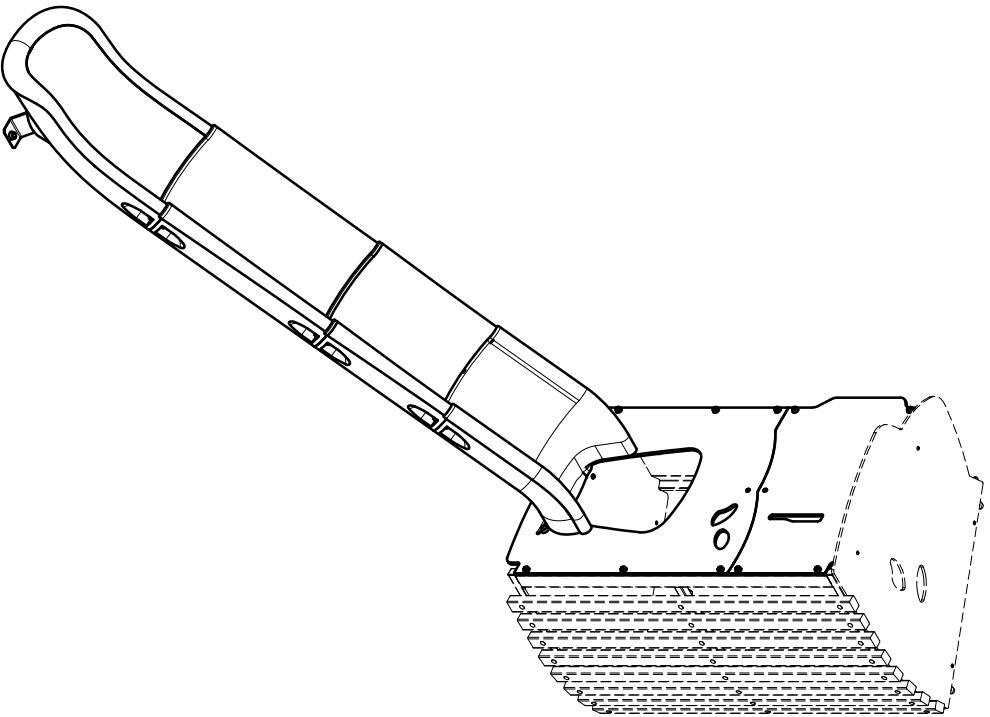












ETS6110PV	1
ETS6119CH	1
LG4505	1
LZ311	1
M4501VX	1
M4502VX	1
M4503VX	1
M4506	1
M8310N	10
M8440N	10
M10310N	44
M10440N	44
P10	2
P180	1
VB16x30	2
VB16x50	5
VCBHC10x30	8
VCBHC10x40	4
VCBHC10x60	4
VEFM10	29
VTH6x30A	10
VTH10x70	15

