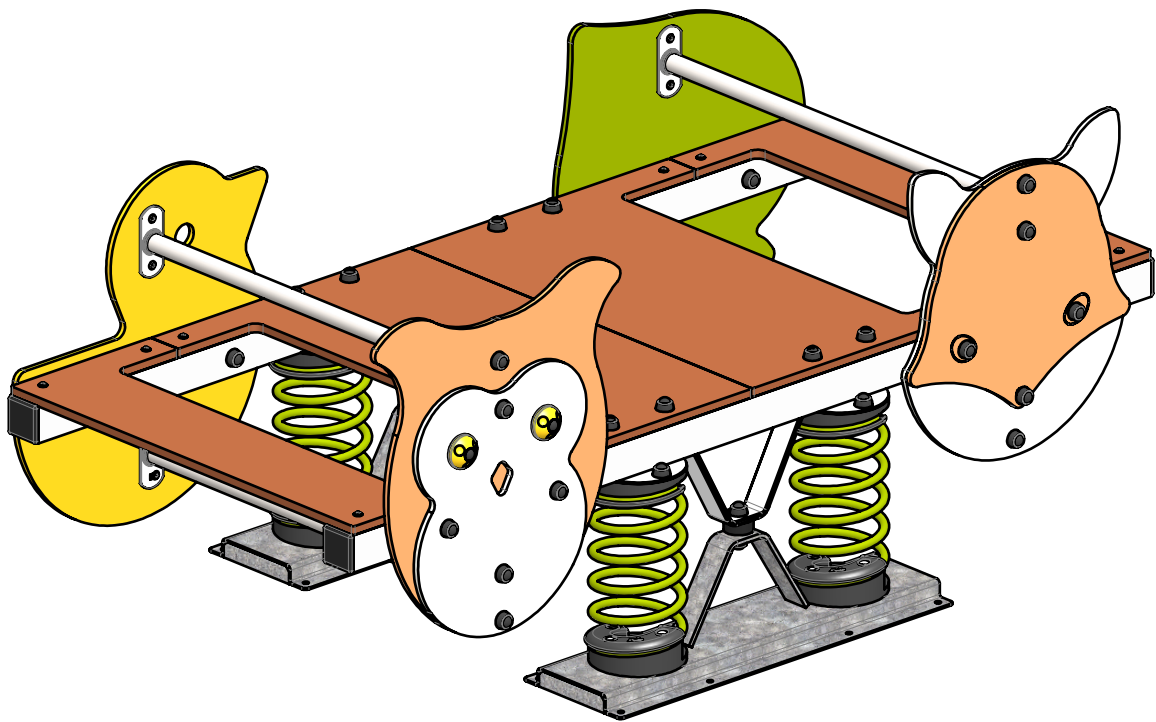
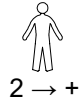


J984

*Pro ludic*





*ProLudic*

N°		
1	0.6 m	20 m <sup>2</sup>

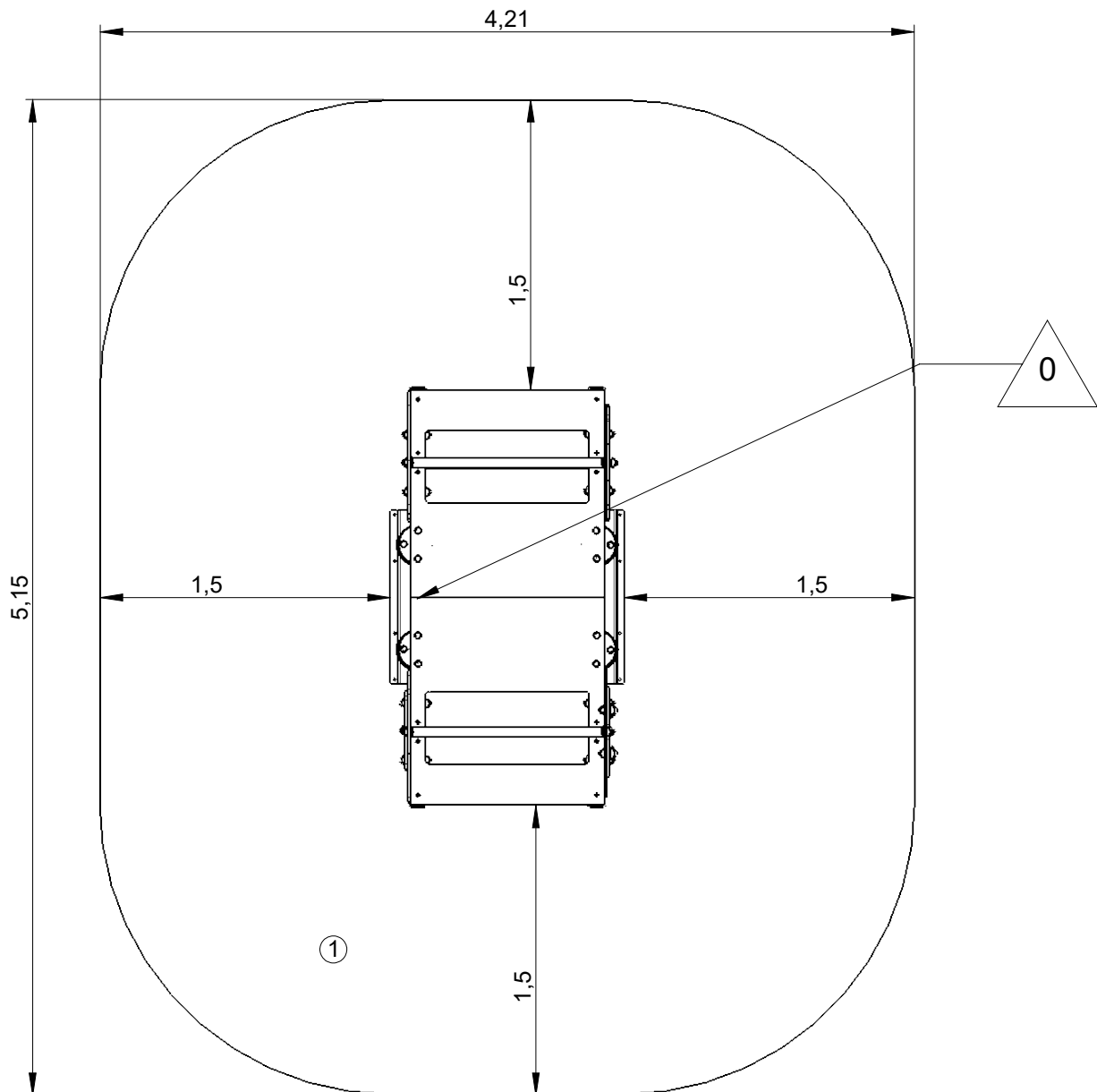
— Zone d'impact  
Impact area  
Area de impacto  
Fallraum  
Valzone

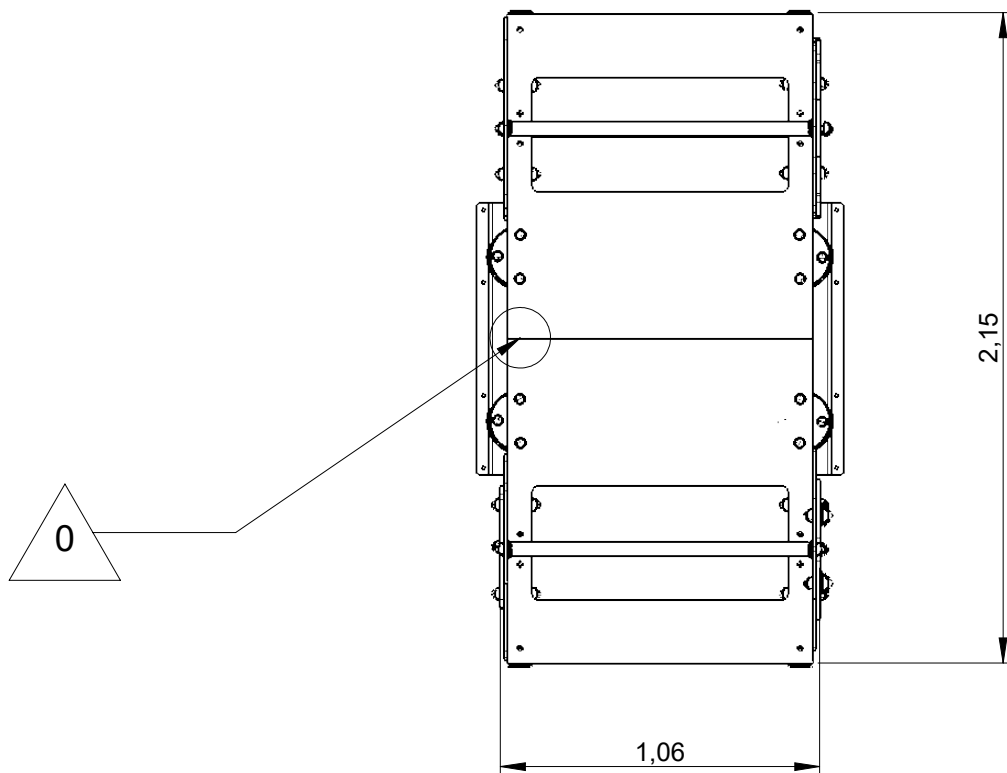


Point de référence  
Setting out point  
Punto de referencia  
Bezugspunkt  
Referentiepunt

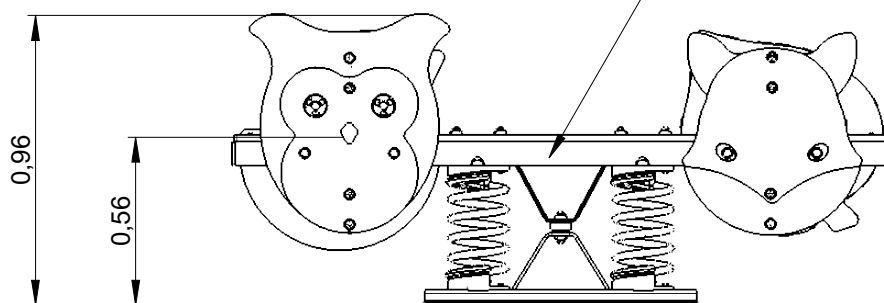
EN1176-1:2017

EN1176-6:2017





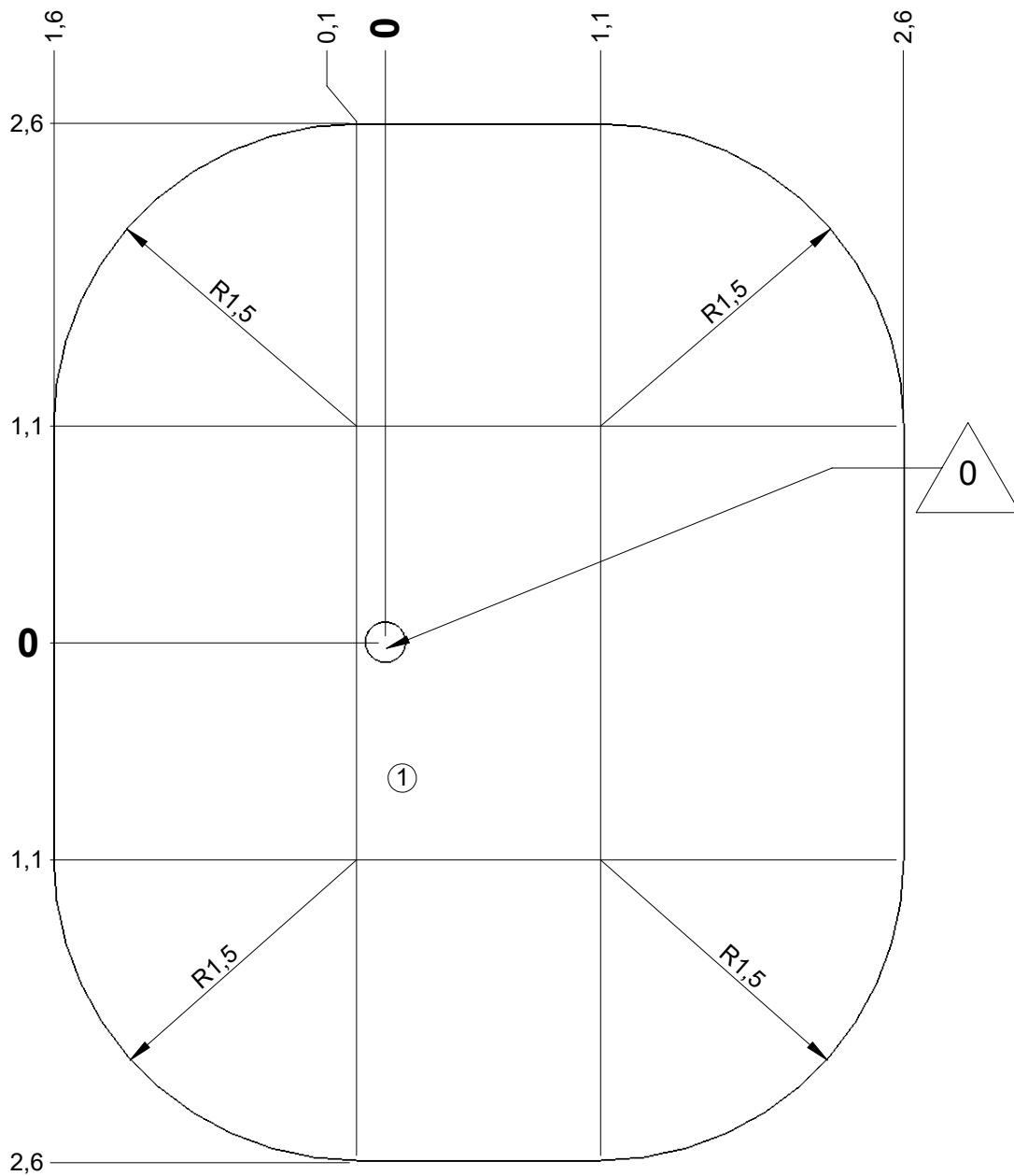
*Proludic*  
ZI l'Etang Vignon - 37210 VOUVRAY - FRANCE  
REF \_\_\_\_\_  
www.proludic.fr  
Conforme aux exigences de sécurité  
Conforms to the safety standards



— Zone d'impact  
 Impact area  
 Area de impacto  
 Fallraum  
 Valzone

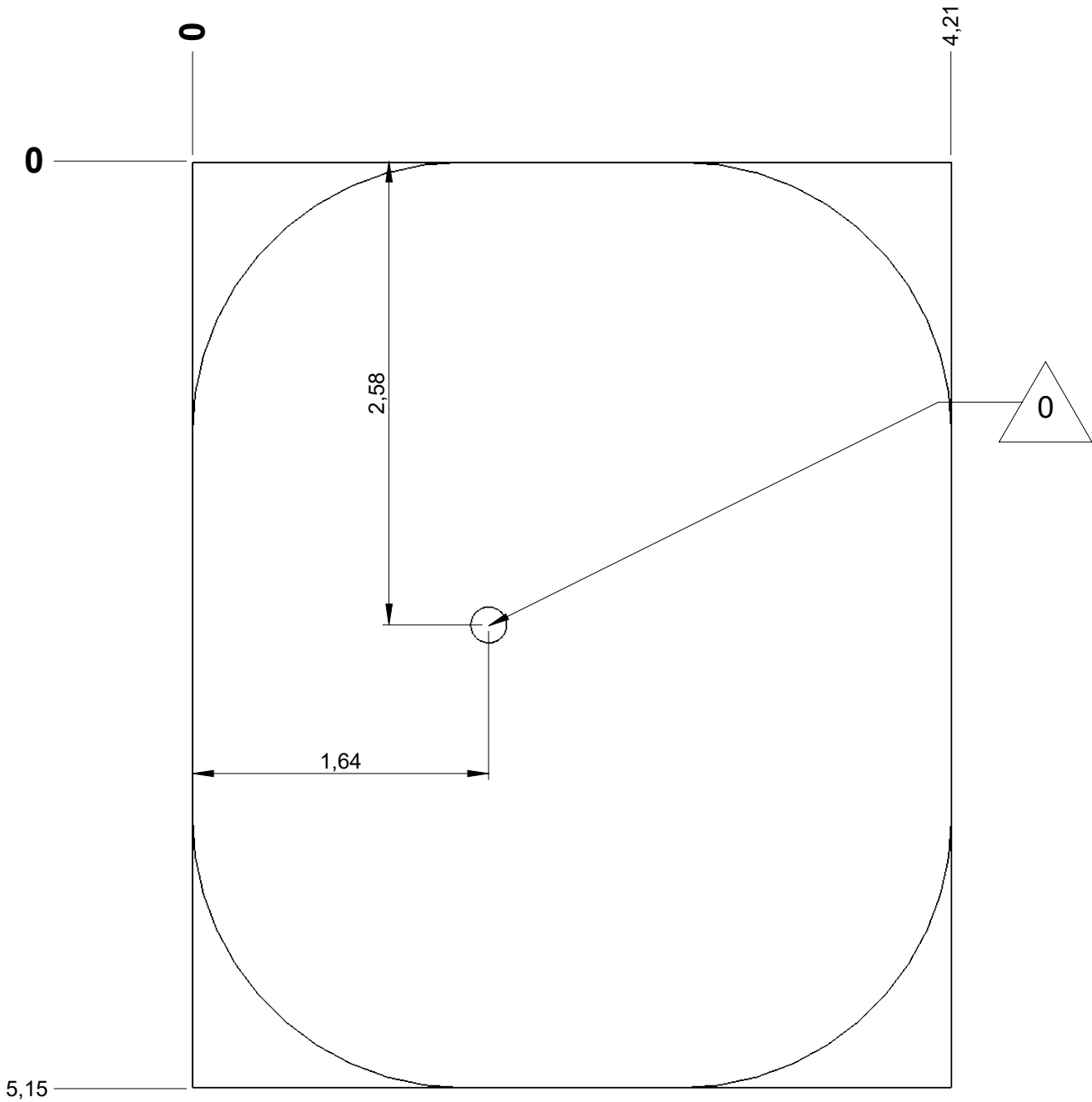
20 m<sup>2</sup>

Sol souple  
 Wetpour  
 Caucho continuo  
 Synthetischer fallschutz  
 Gietvloer



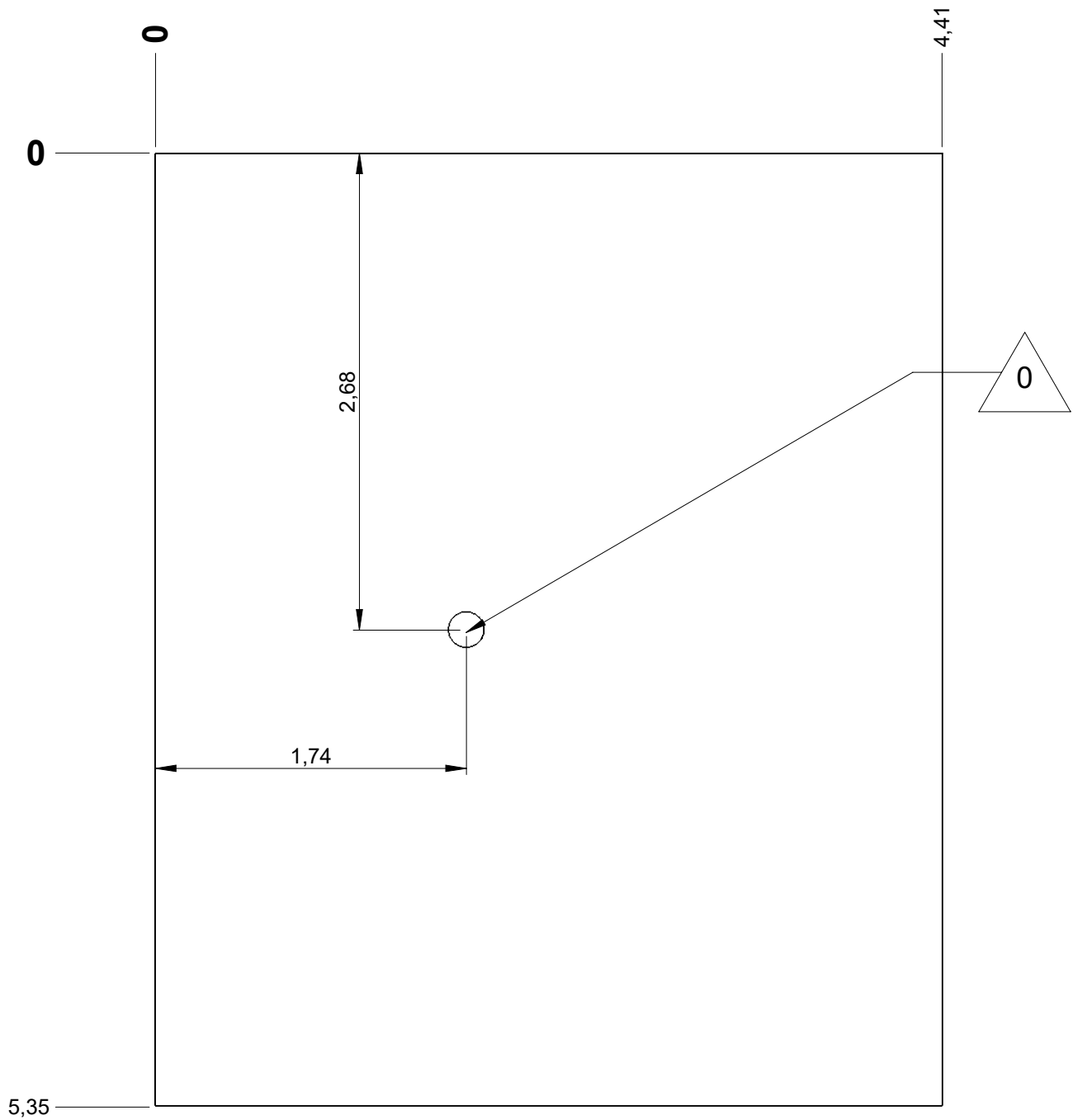
— Dalle béton  
Concrete pad  
Solera de hormigon  
Beton bodenplatte  
Betonnen bodemplaat

20 m  
22 m<sup>2</sup>



— Sol fluent  
Loos partucule material  
Arenero  
Loses Bodenmaterial  
Los bodemmaterialaal

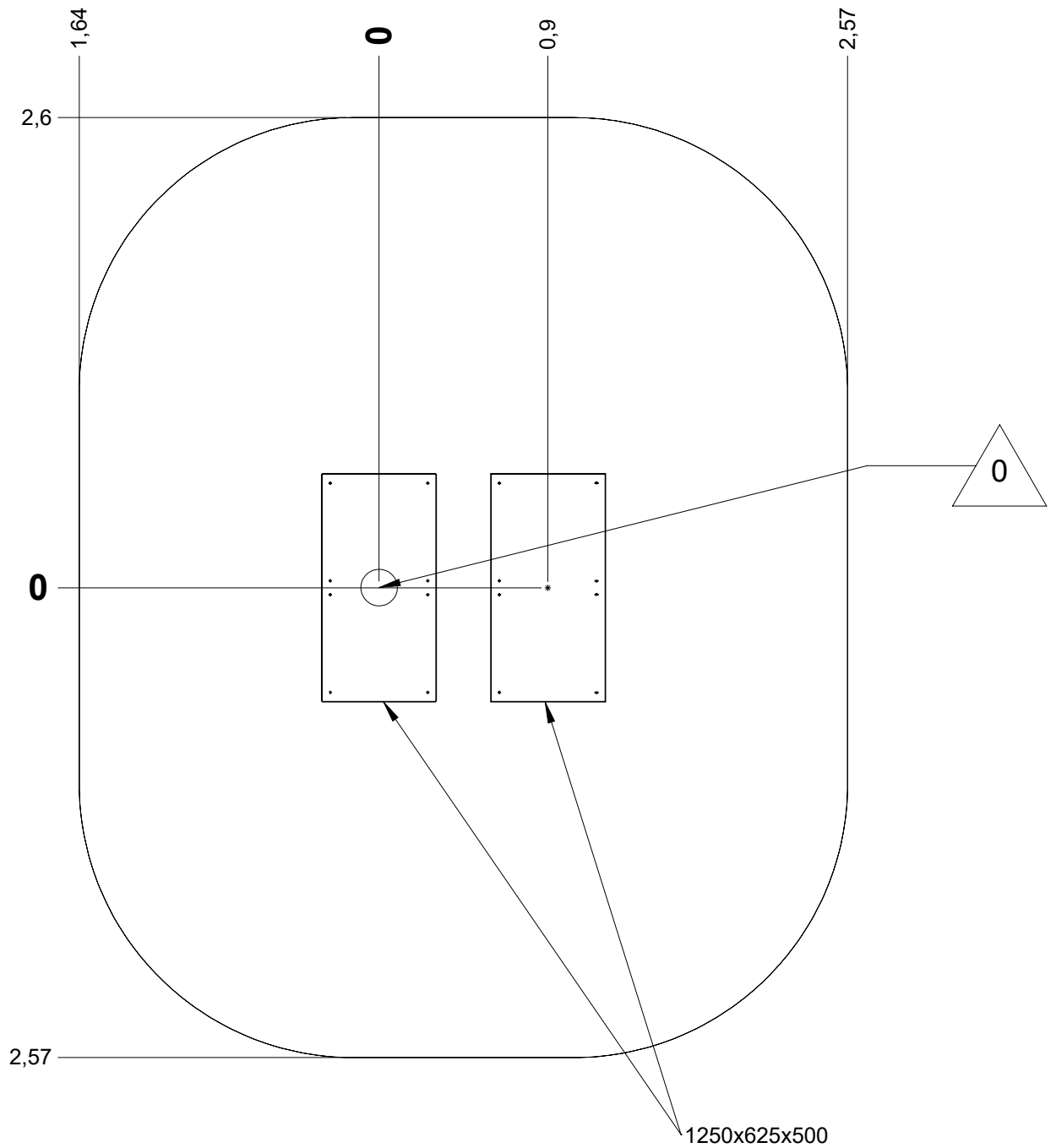
**21 m**  
**24 m<sup>2</sup>**



# J984 A

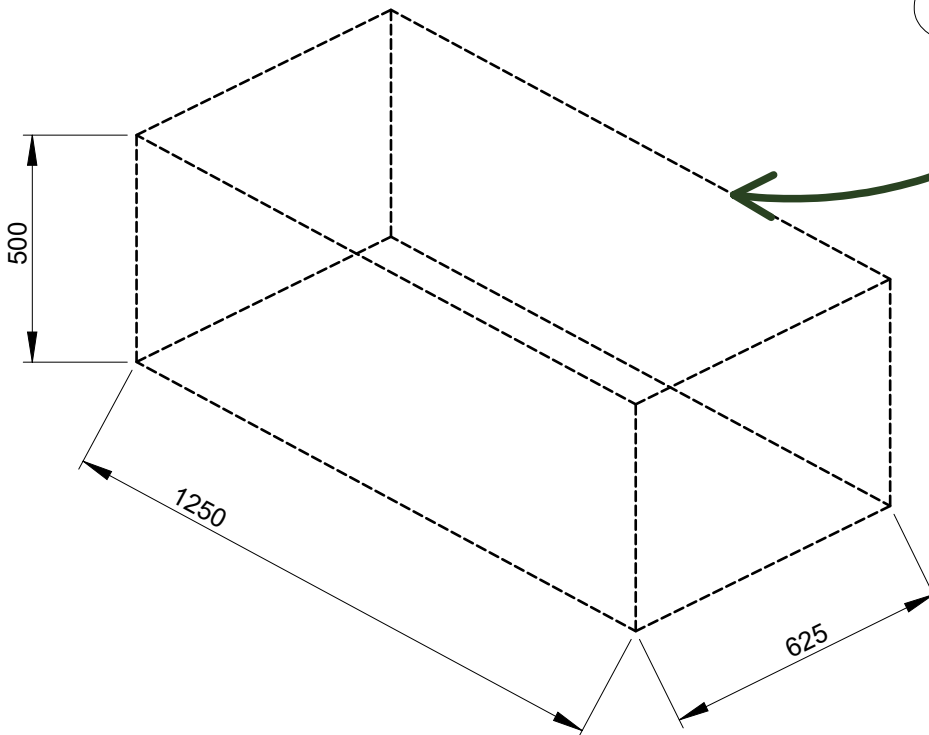
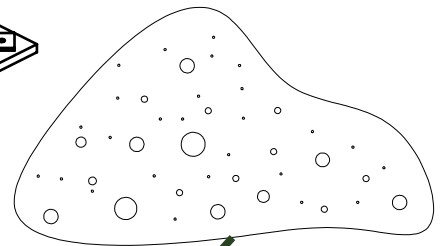
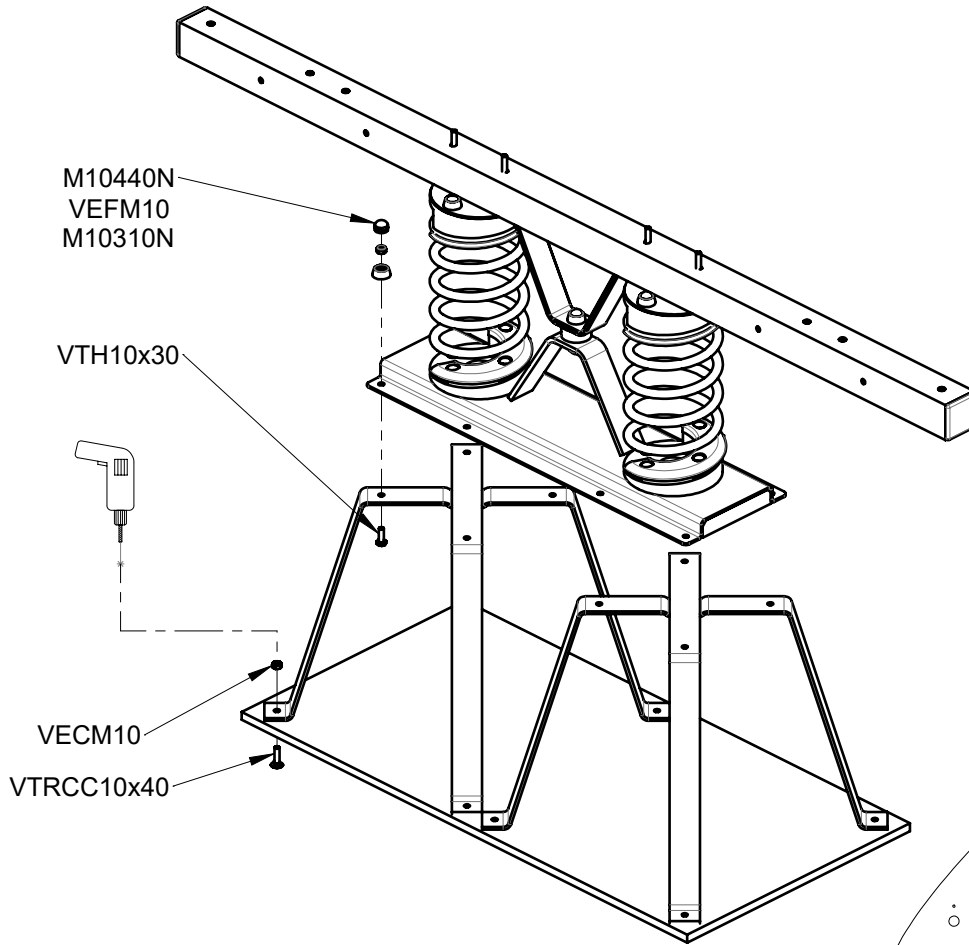
*Proludic*

Implantation  
Footing plan  
Implantación  
Fundamentplan  
Funderingstekening



# J984 A

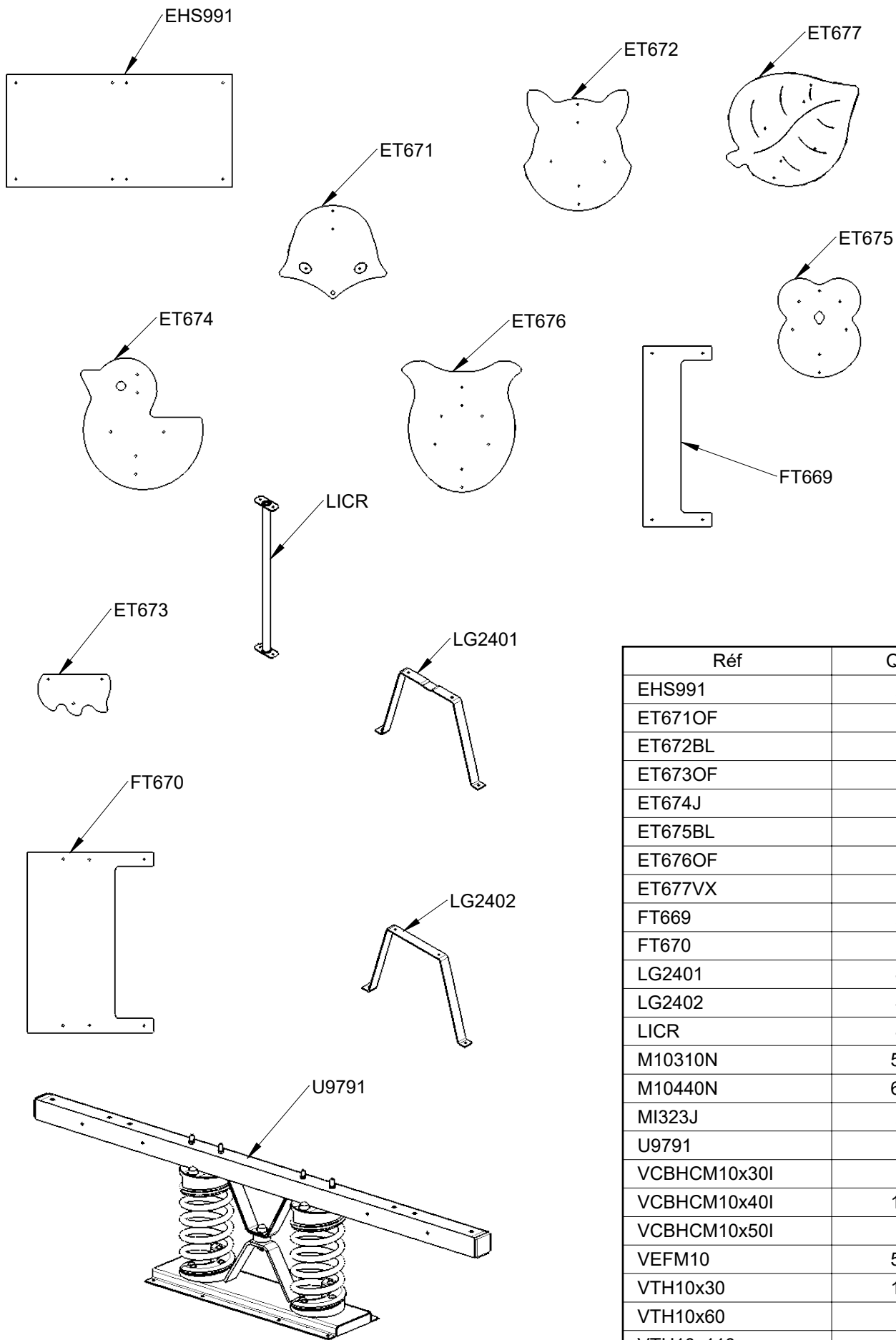
*ProLudic*



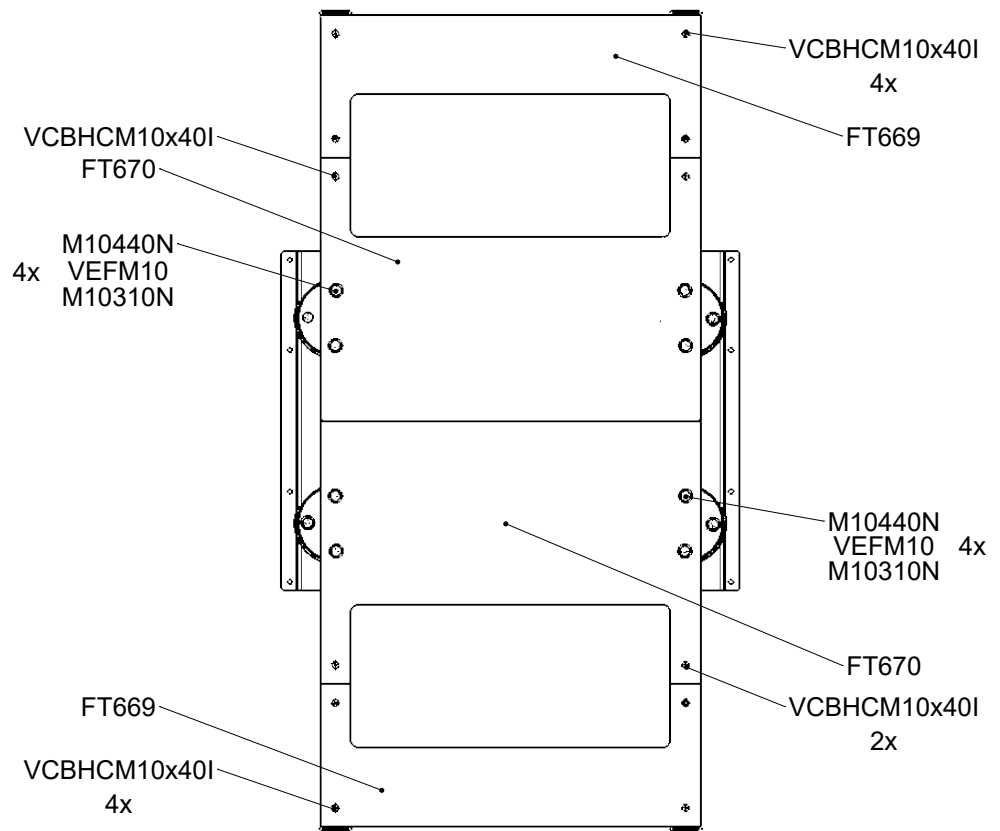
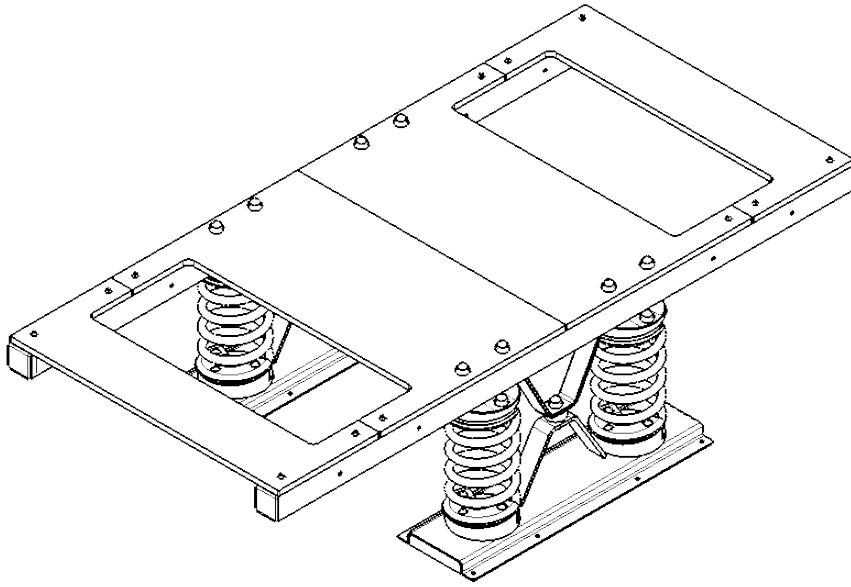
Réf	Qté
M10310N	8
M10440N	8
VECM10	8
VTH10x30	8
VTRCC10x40	8

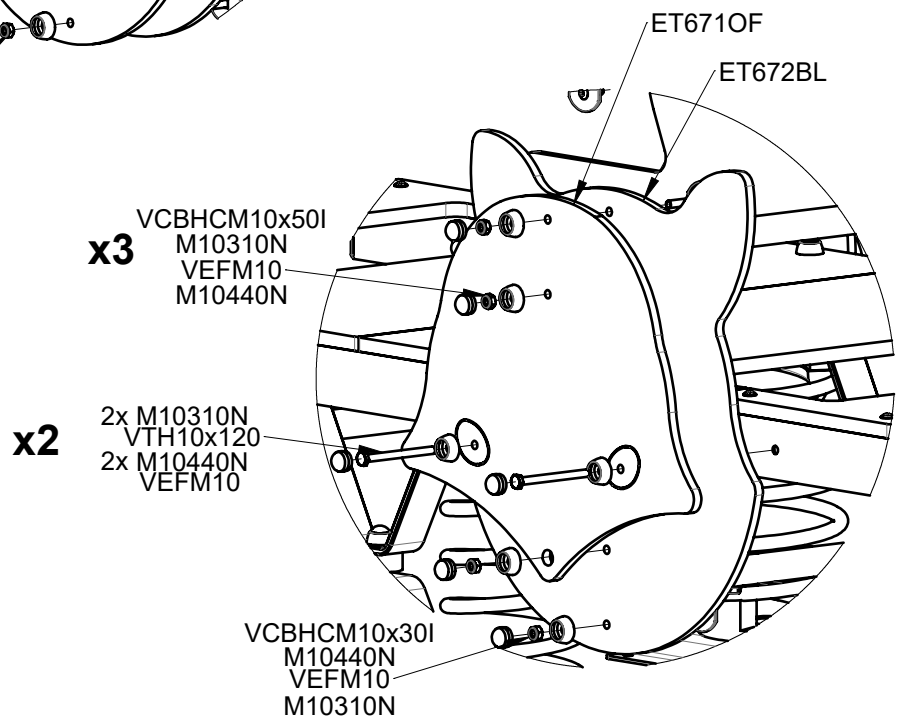
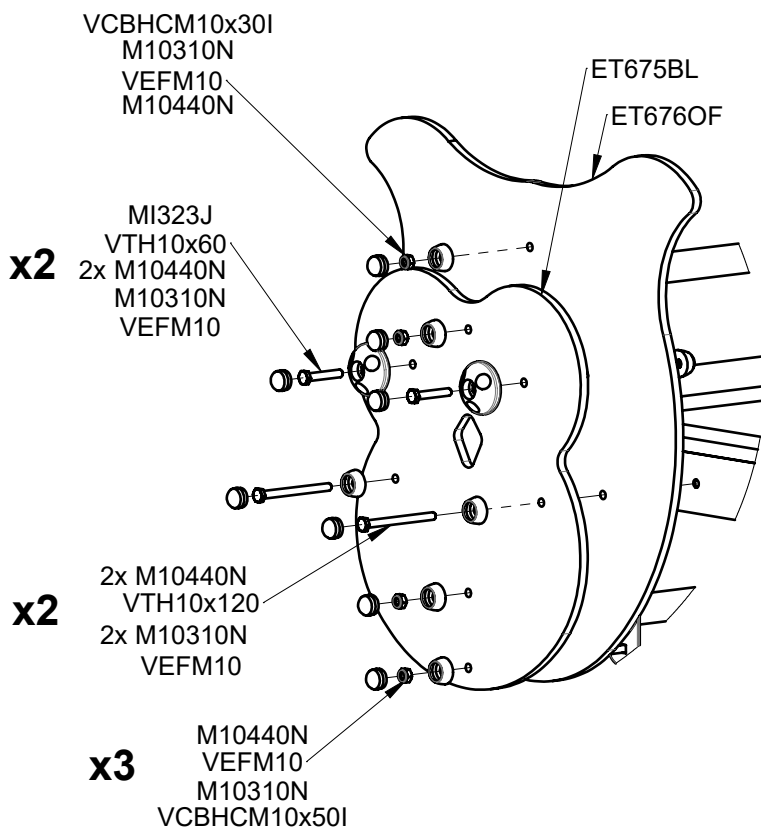
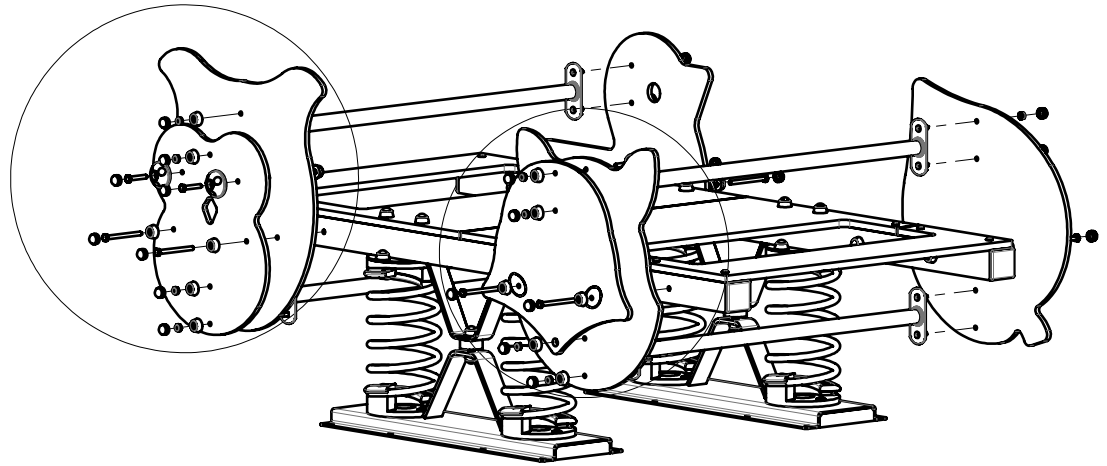


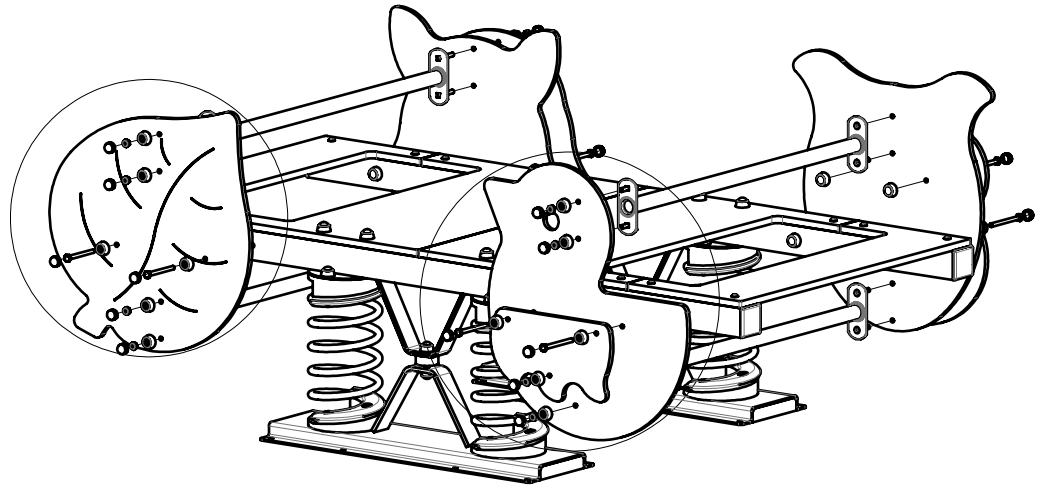
# J984 A



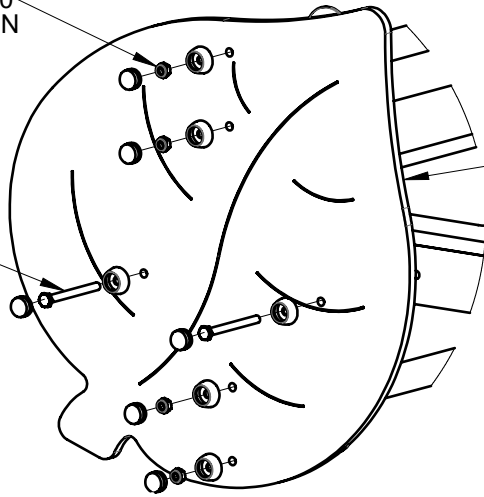
Réf	Qté
EHS991	2
ET671OF	1
ET672BL	1
ET673OF	1
ET674J	1
ET675BL	1
ET676OF	1
ET677VX	1
FT669	2
FT670	2
LG2401	4
LG2402	4
LICR	4
M10310N	58
M10440N	60
MI323J	2
U9791	2
VCBHCM10x30I	9
VCBHCM10x40I	12
VCBHCM10x50I	7
VEFM10	50
VTH10x30	16
VTH10x60	2
VTH10x110	2
VTH10x120	6







**x4**  
VCBHCM10x30I  
M10310N  
VEFM10  
M10440N



ET677VX

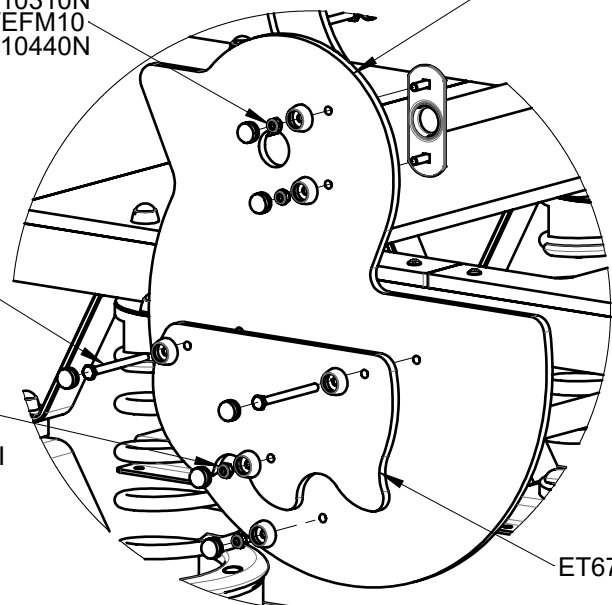
**x2**  
2x M10310N  
VTH10x110  
2x M10440N  
VEFM10

**x3**  
VCBHCM10x30I  
M10310N  
VEFM10  
M10440N

ET674J

**x2**  
2x M10310N  
VTH10x120  
2x M10440N  
VEFM10

M10310N  
VEFM10  
M10440N  
VCBHCM10x30I



ET6730F