



N°		
1	0.6 m	27.5 m ²

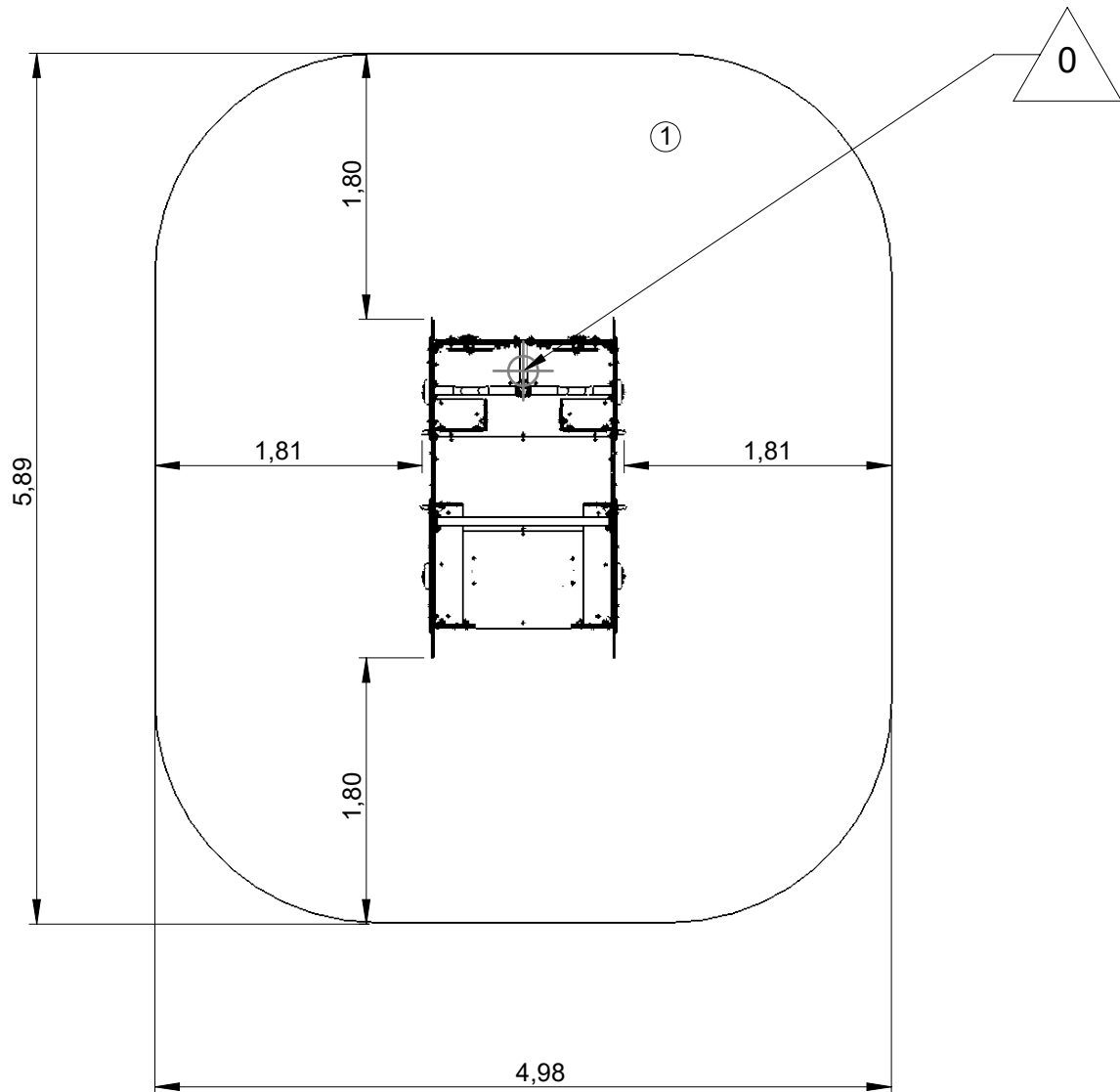
— Zone d'impact
Impact area
Area de impacto
Fallraum
Valzone



Point de référence
Setting out point
Punto de referencia
Bezugspunkt
Referentiepunt

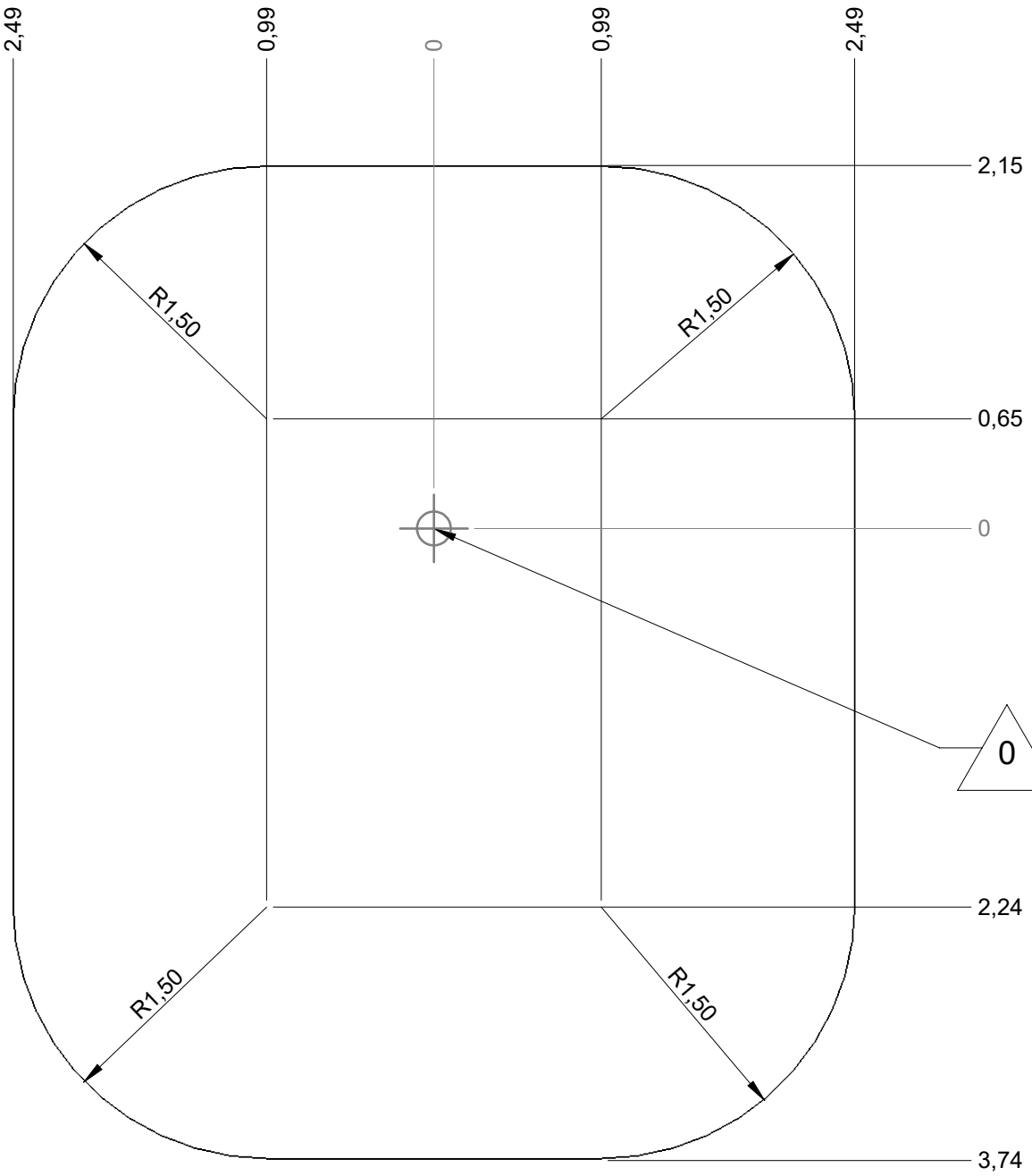
— Espace libre
Free space
Espacio libre
Freiraum
Vrije ruimte

EN1176-1:2017
EN1176-6:2017



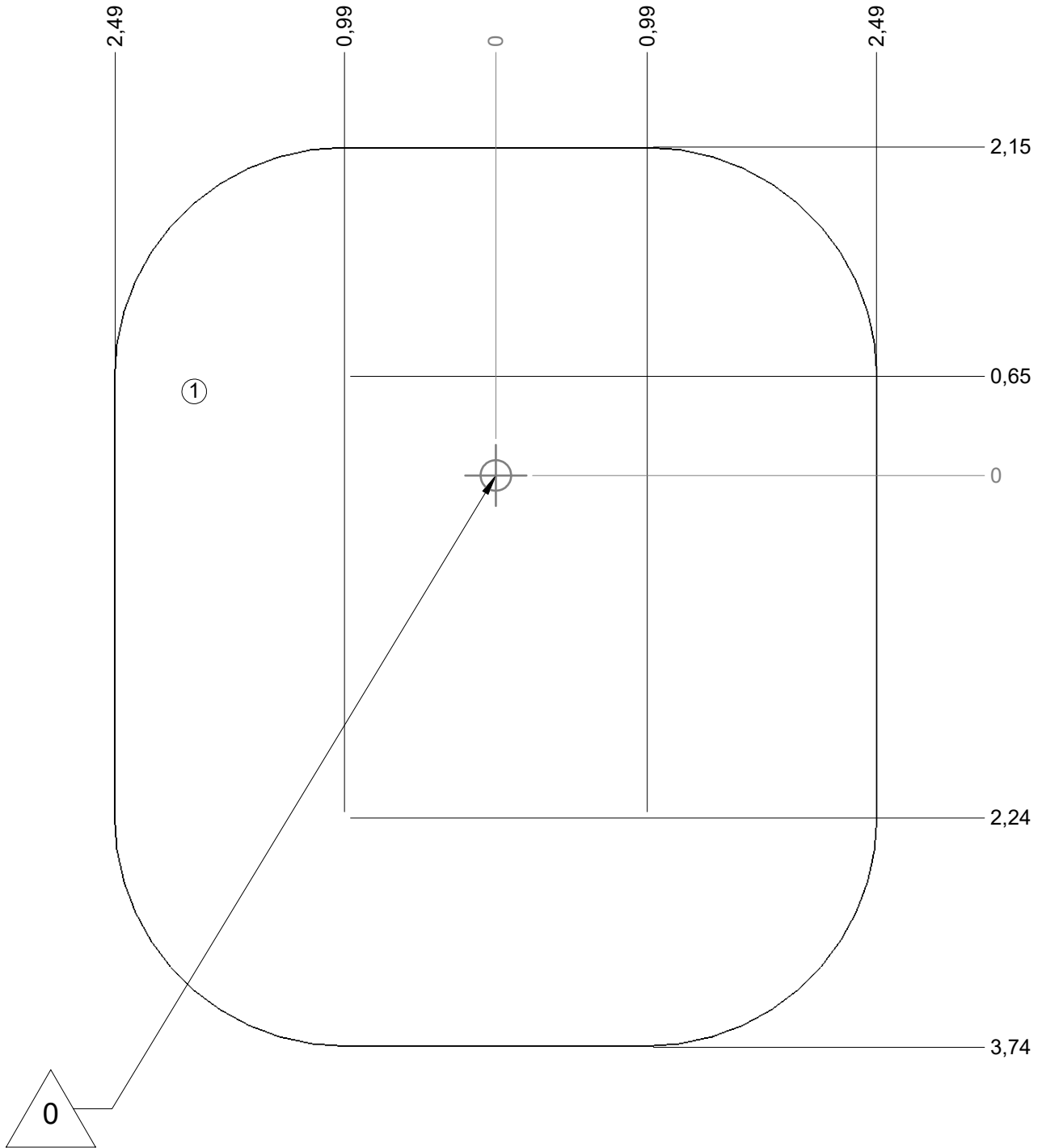
— Zone d'impact
Impact area
Area de impacto
Fallraum
Valzone

27.5 m²



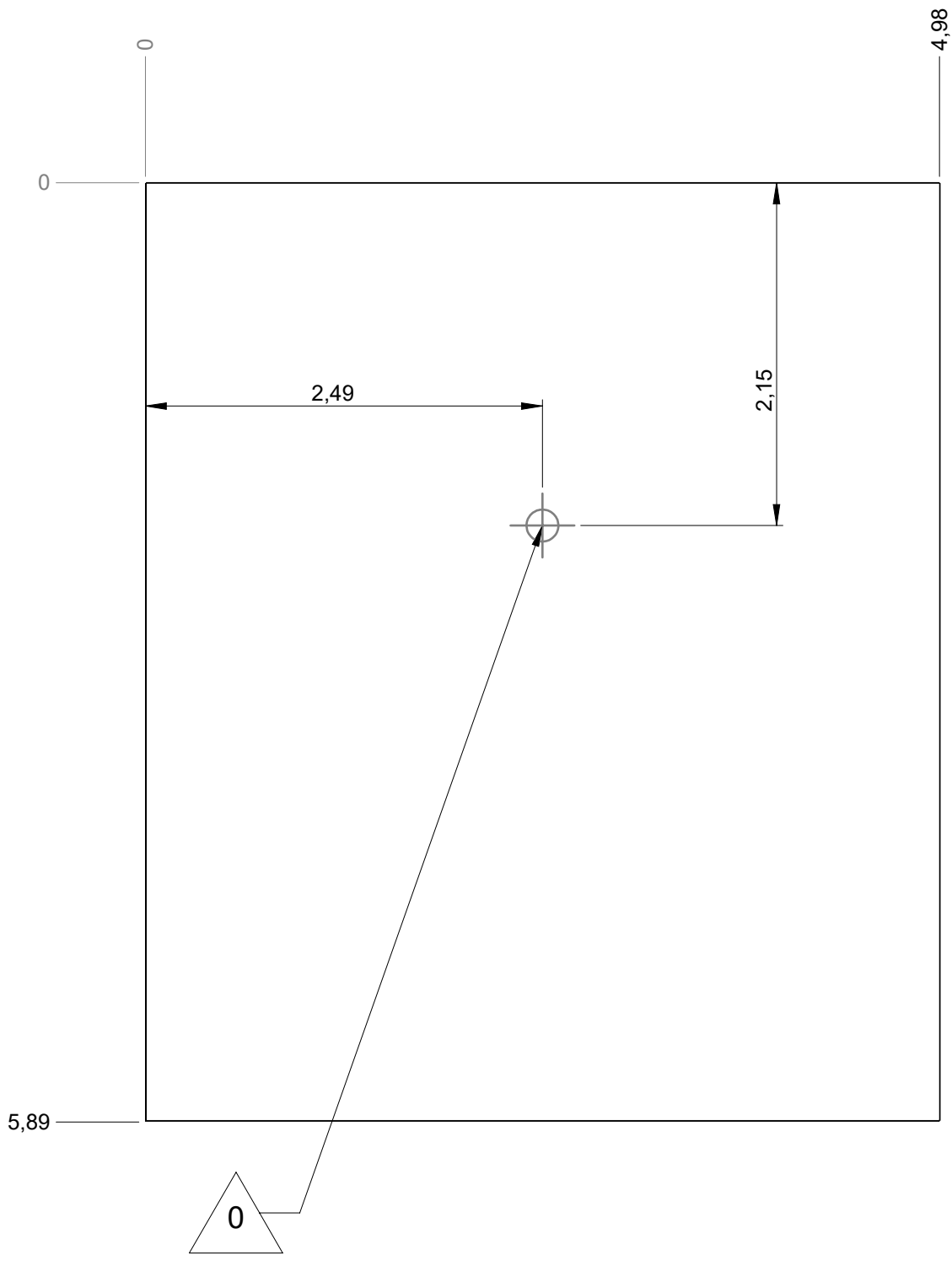
— Sol souple
Wetpour
Caucho continuo
Synthetischer Fallschutz
Gietvloer

27.5 m²



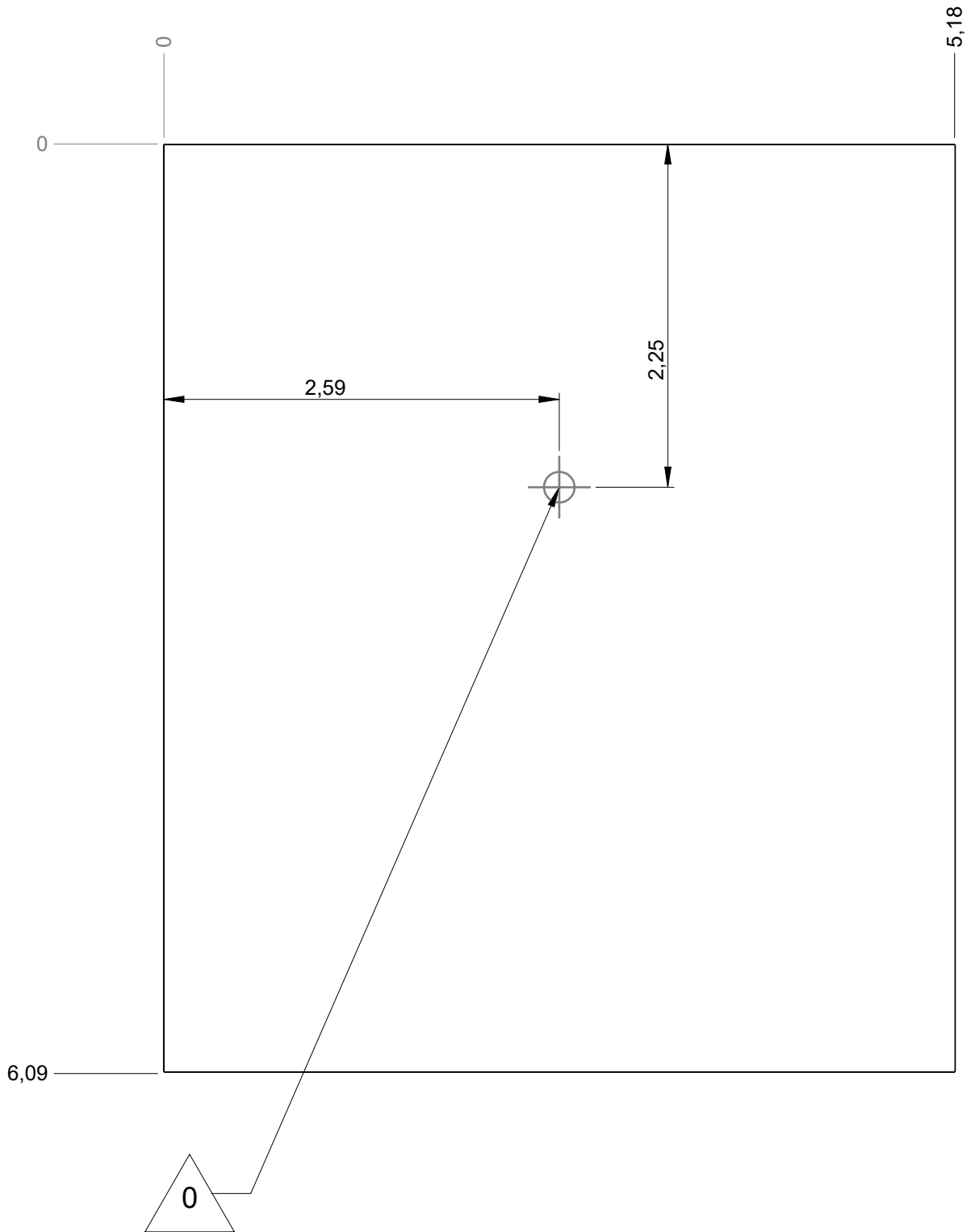
— Dalle béton
Concrete pad
Solera de hormigon
Beton Bodenplatte
Betonnen bodemplaat

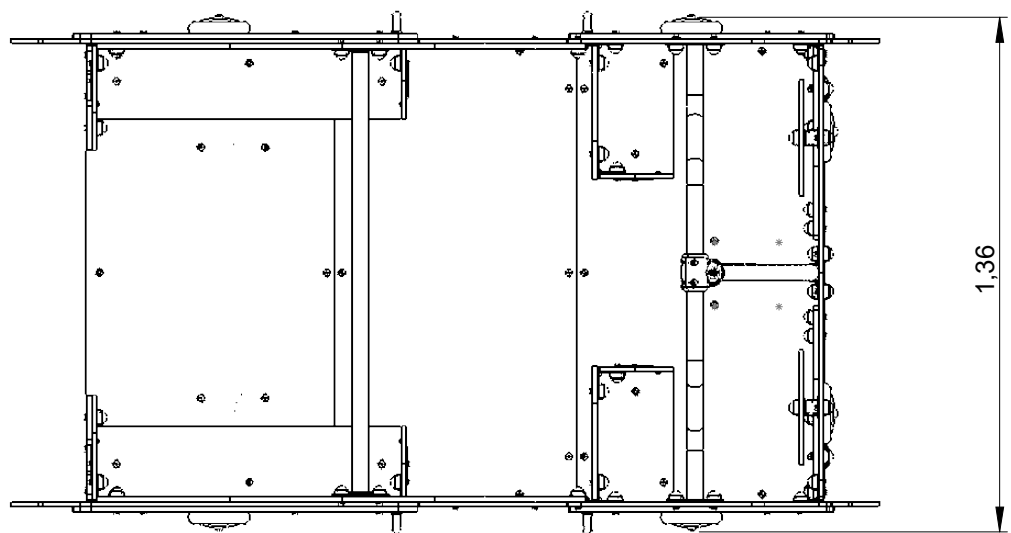
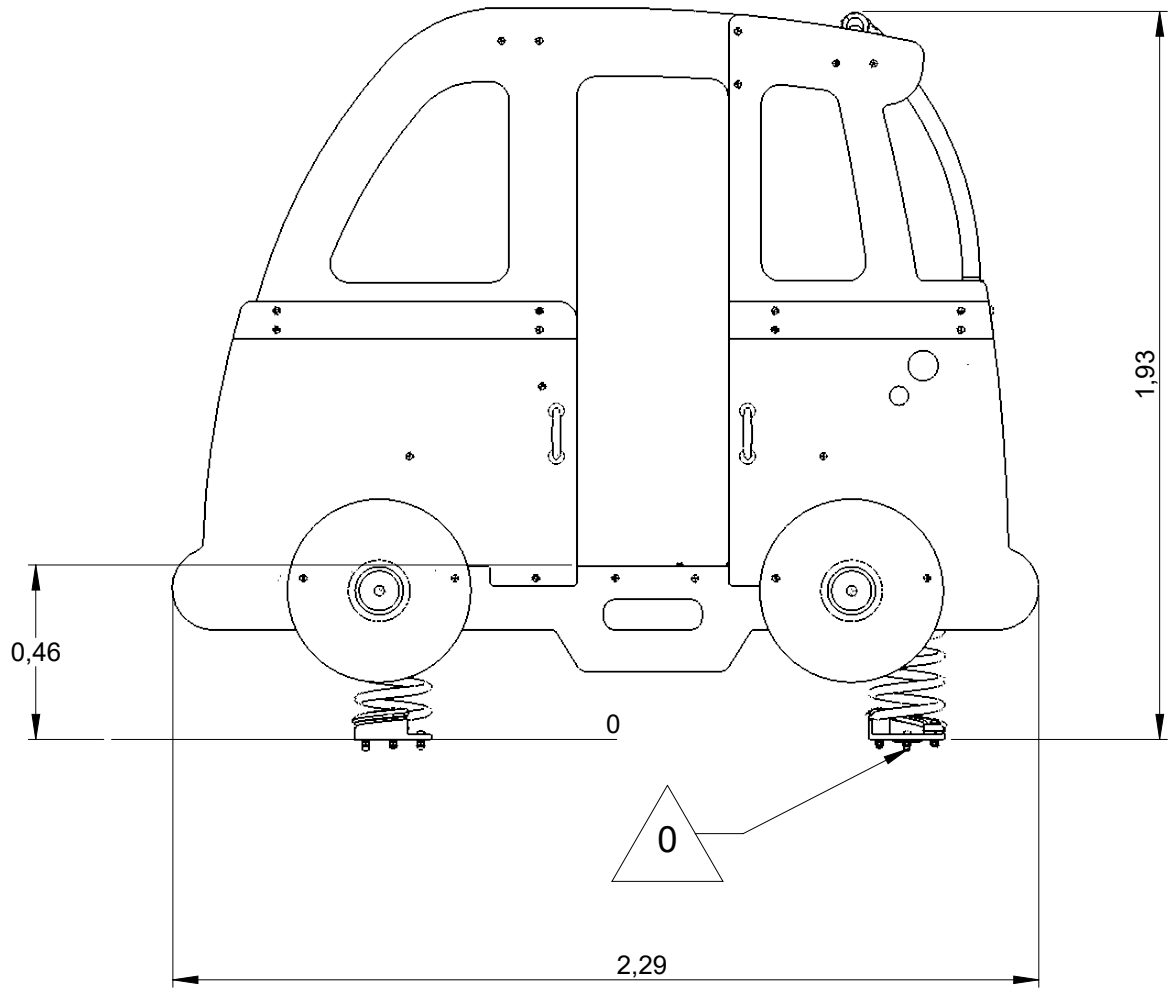
22 m
30 m²



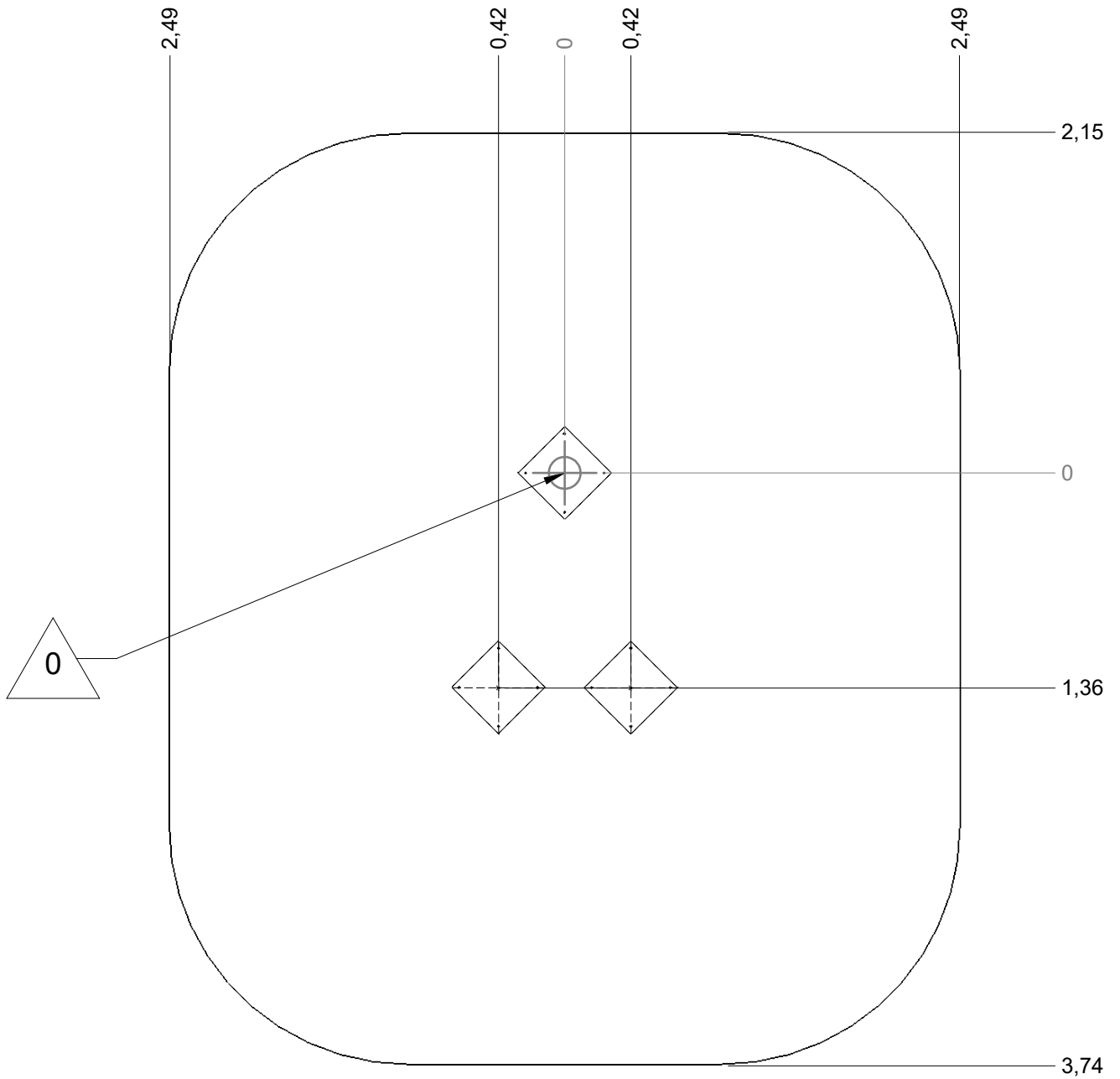
— Sol fluent
Loos partucule material
Arenero
Loses Bodenmaterial
Los bodemateriaal




23 m
32 m²





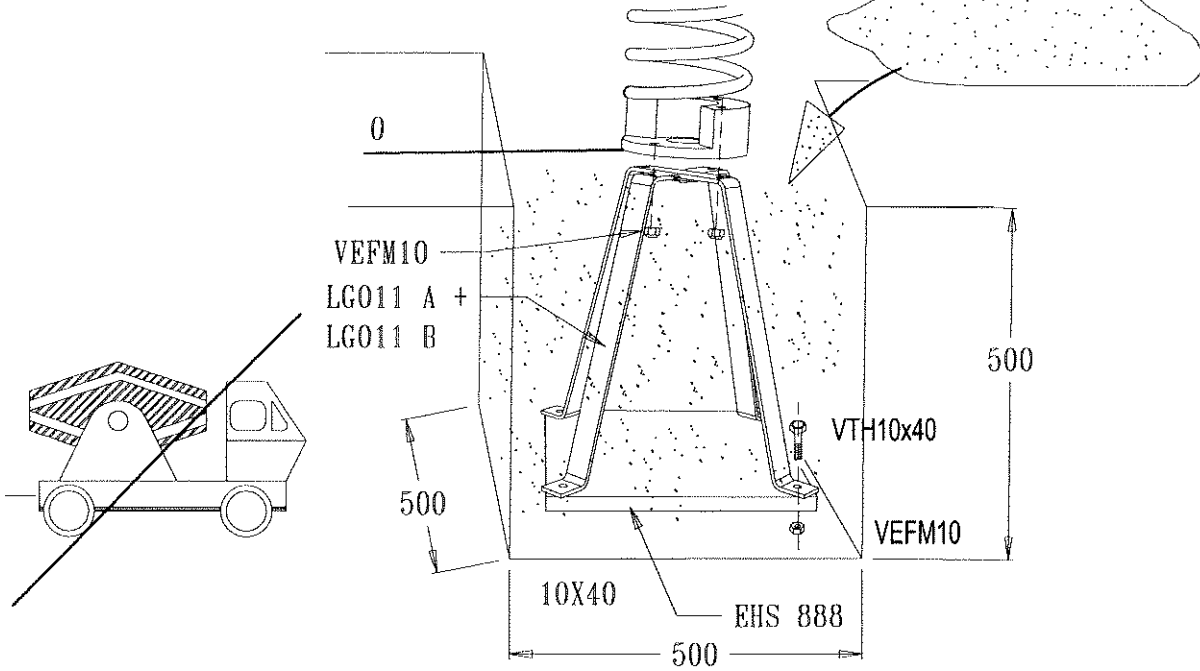
Implantation
Footing plan
Implantación
Fundamentplan
Funderingstekening



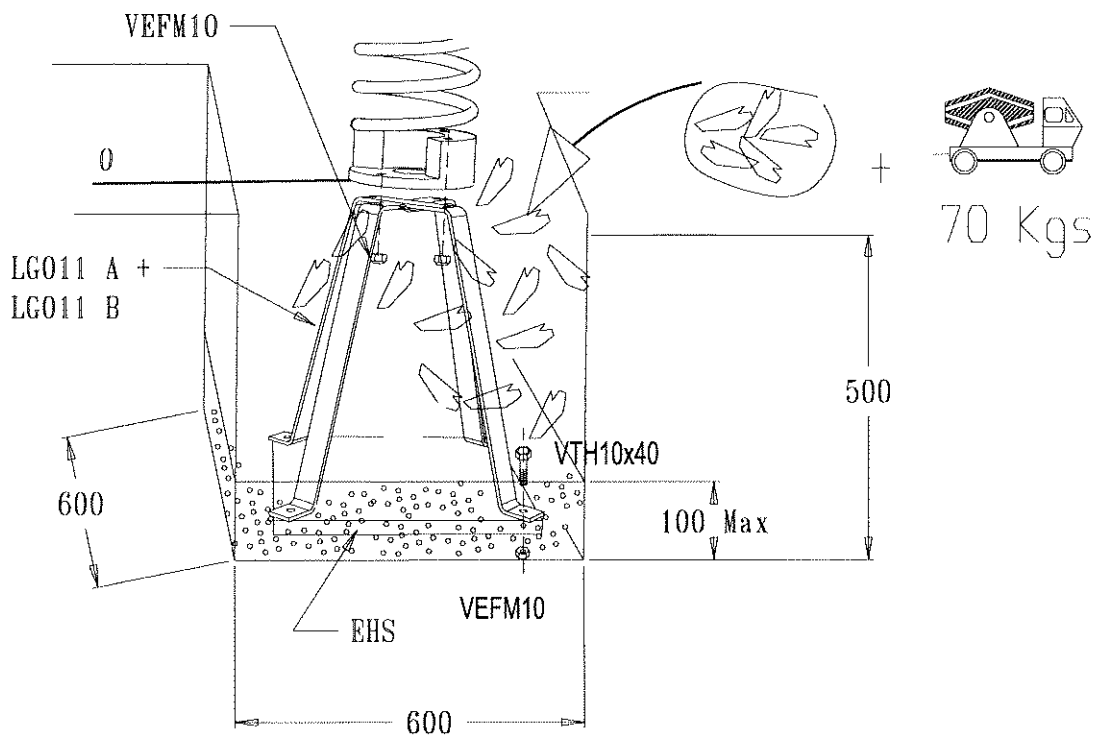
 x2	 5H	 0 m ³
---	--	--

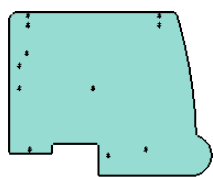


> 1500 Kgs/M³



< 1500 Kgs/M³

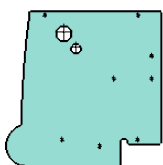




ET1180L
2x



ET1181L
4x



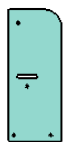
ET1182L
2x



ET1183L
1x



ET1188PL
2x



ET1184L
2x



ET1185L
2x



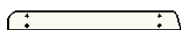
ET1186L
2x



ET1189GA
2x



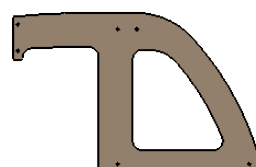
ET1190GA
4x



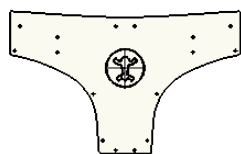
ET1191BL
2x



ET1192BL
2x



ET1187PL
2x



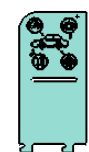
ET1194BL
1x



FT1197
2x



FT1198
2x



ET1193L
1x



EHS888
3x



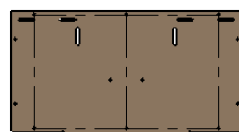
LI9260
1x



FT1199
1x



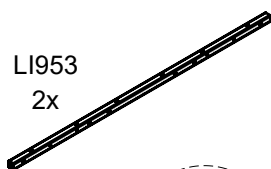
FT1200
1x



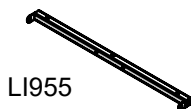
FT1201
1x



LI950
1x



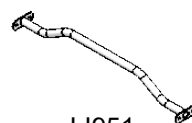
LI953
2x



LI955
2x

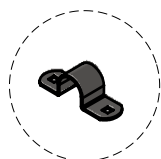


LG011B
3x



LI951
1x

LI2610
2x



U8110
3x

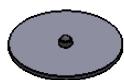
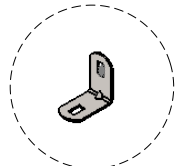


LG011A
3x



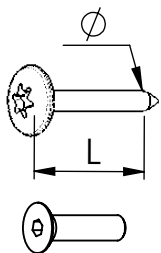
LI954
2x

P13
20x



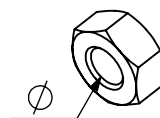
U4516
2x

Réf	Qté
EHS888	3
ET1180L	2
ET1181L	4
ET1182L	2
ET1183L	1
ET1184L	2
ET1185L	2
ET1186L	2
ET1187PL	2
ET1188PL	2
ET1189GA	2
ET1190GA	4
ET1191BL	2
ET1192BL	2
ET1193L	1
ET1194BL	1
FT1197	2
FT1198	2
FT1199	1
FT1200	1
FT1201	1
LA000	1
LG011A	3
LG011B	3
LI950	1
LI951	1
LI953	2
LI954	2
LI955	2
LI2610	2
LI9260	1
M11	18
M10310N	90
M10440N	98
MI0002	1
MI025O	6
MI323J	2
MI800	4
MI2502N	2
P13	20
U8110	3
U4516	2
VCBHCM6x25I	4
VCBHCM10x30I	116
VCBHCM10x40I	38
VCBHCM10x50I	4
VCBHCM10x70I	10
VEBM6	4
VEFM10	116
VTH10x40	12



VBT 6 x 30
 \varnothing \nearrow \nwarrow L (mm)

VFHC



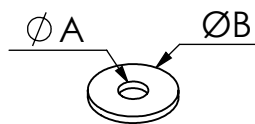
VEC M10
 \varnothing \nearrow \nwarrow




VEF



VEB




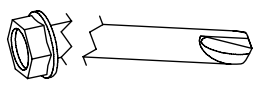
VR6x18
 $\varnothing A$ \nearrow \nwarrow $\varnothing B$

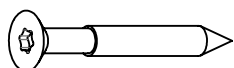


1000 - 1800 tr/min
 Vitesse de rotation
 Rotation speed

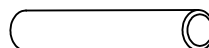
14 N.m
 Couple de rupture
 Torque of break

VTHA 

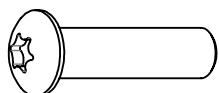




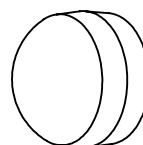
VWT



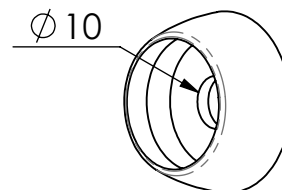
VGC



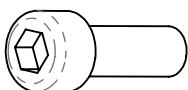
VCBHC



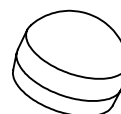
M10 440N



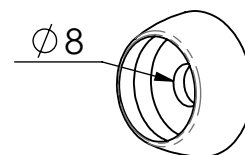
M10 310 N



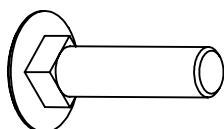
VBTR



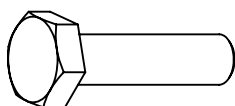
M8440N



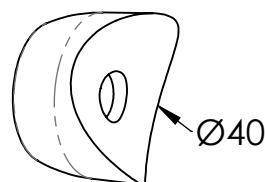
M8310N



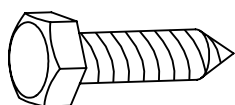
VTRCC



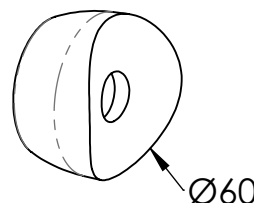
VTH



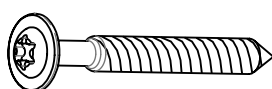
MI2503



VTF



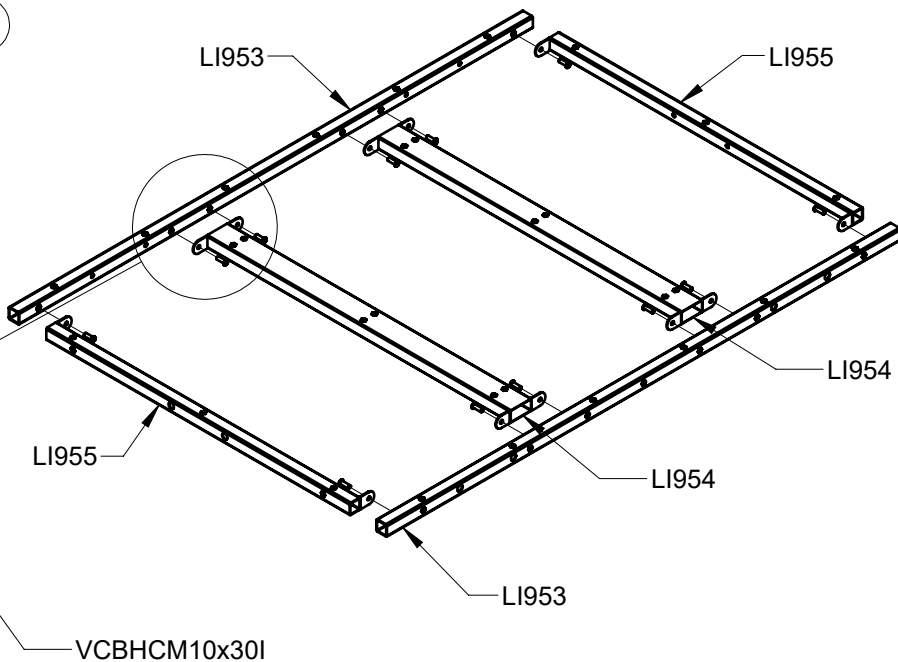
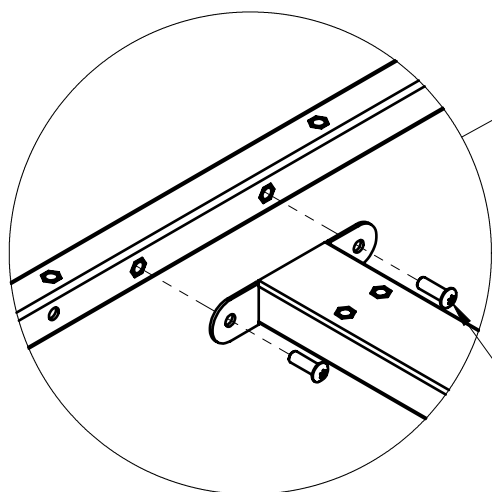
MI2701



VBT

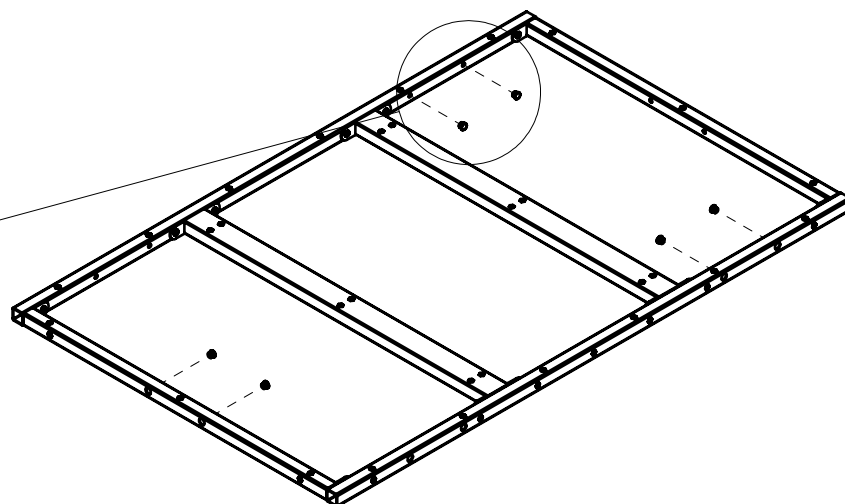
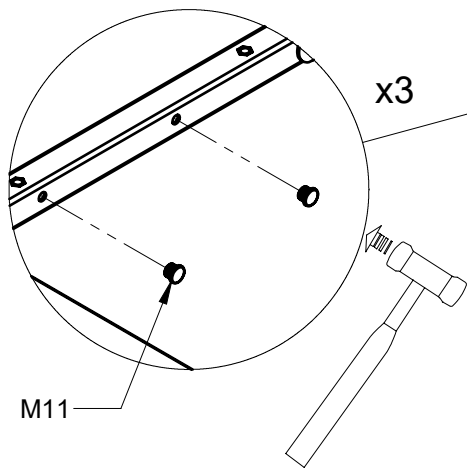
REF	Qté
LI953	2
LI954	2
LI955	2
VCBHCM10*30I	12

1



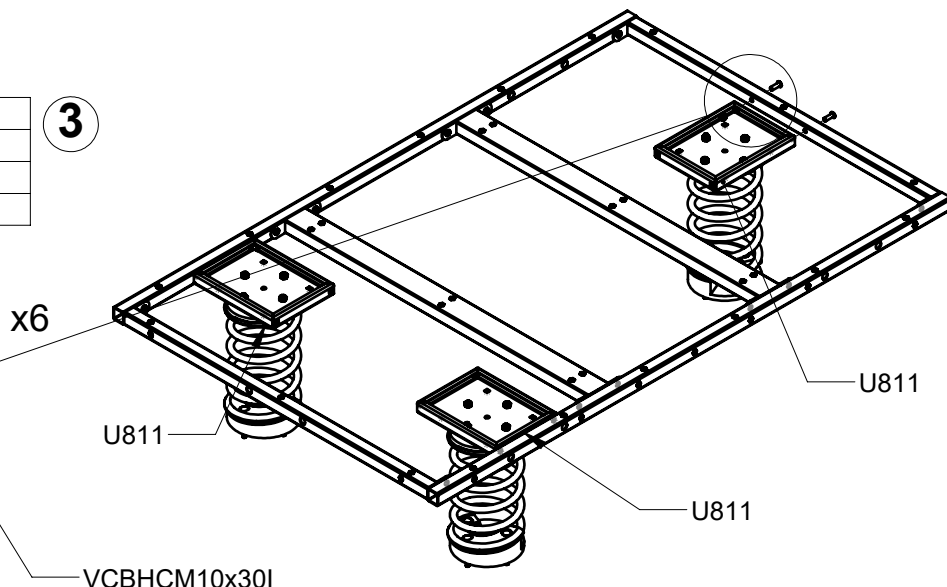
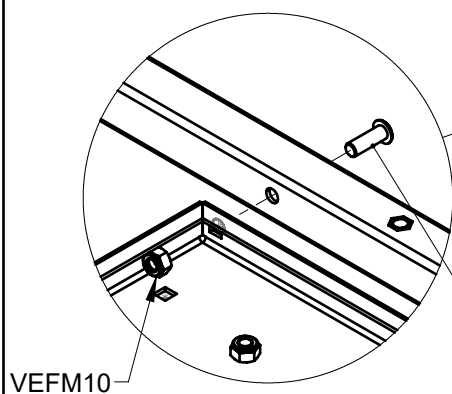
REF	Qté
M11	6

2



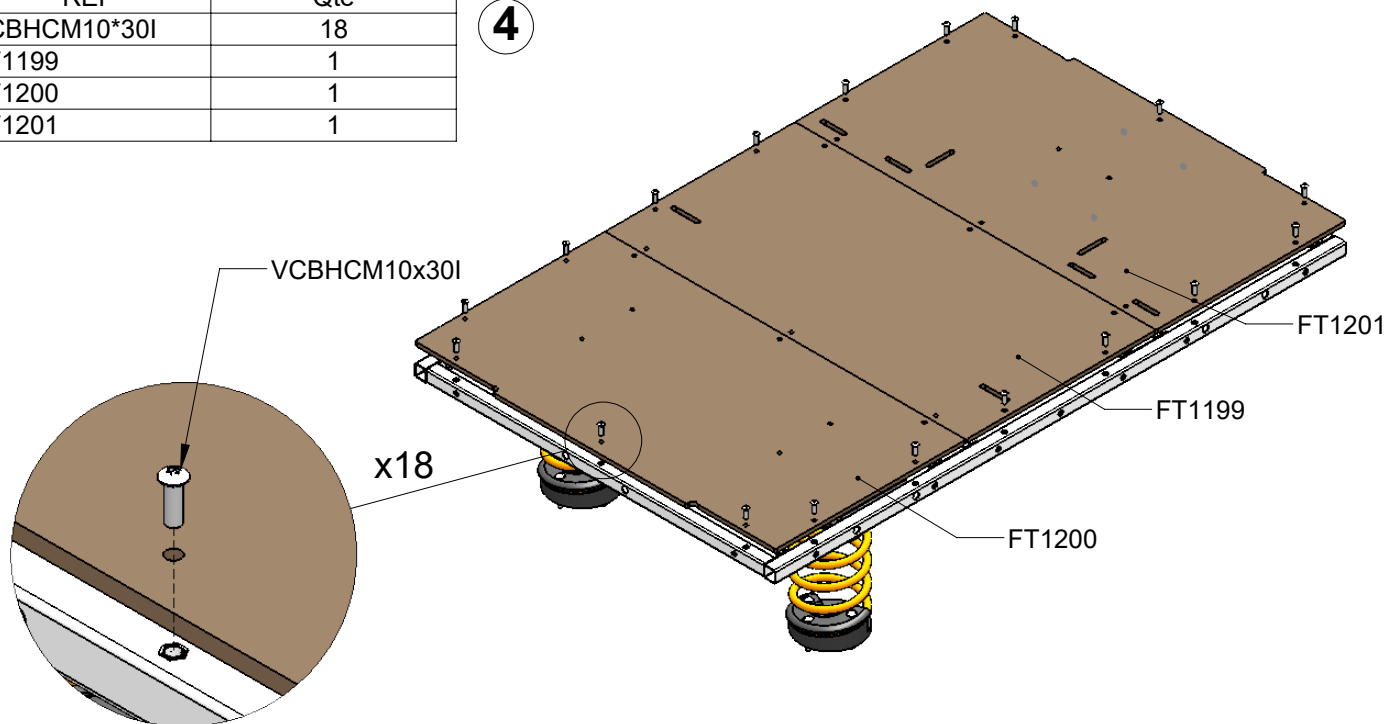
REF	Qté
U811O	3
VCBHCM10*30I	6
VEFM10	6

3



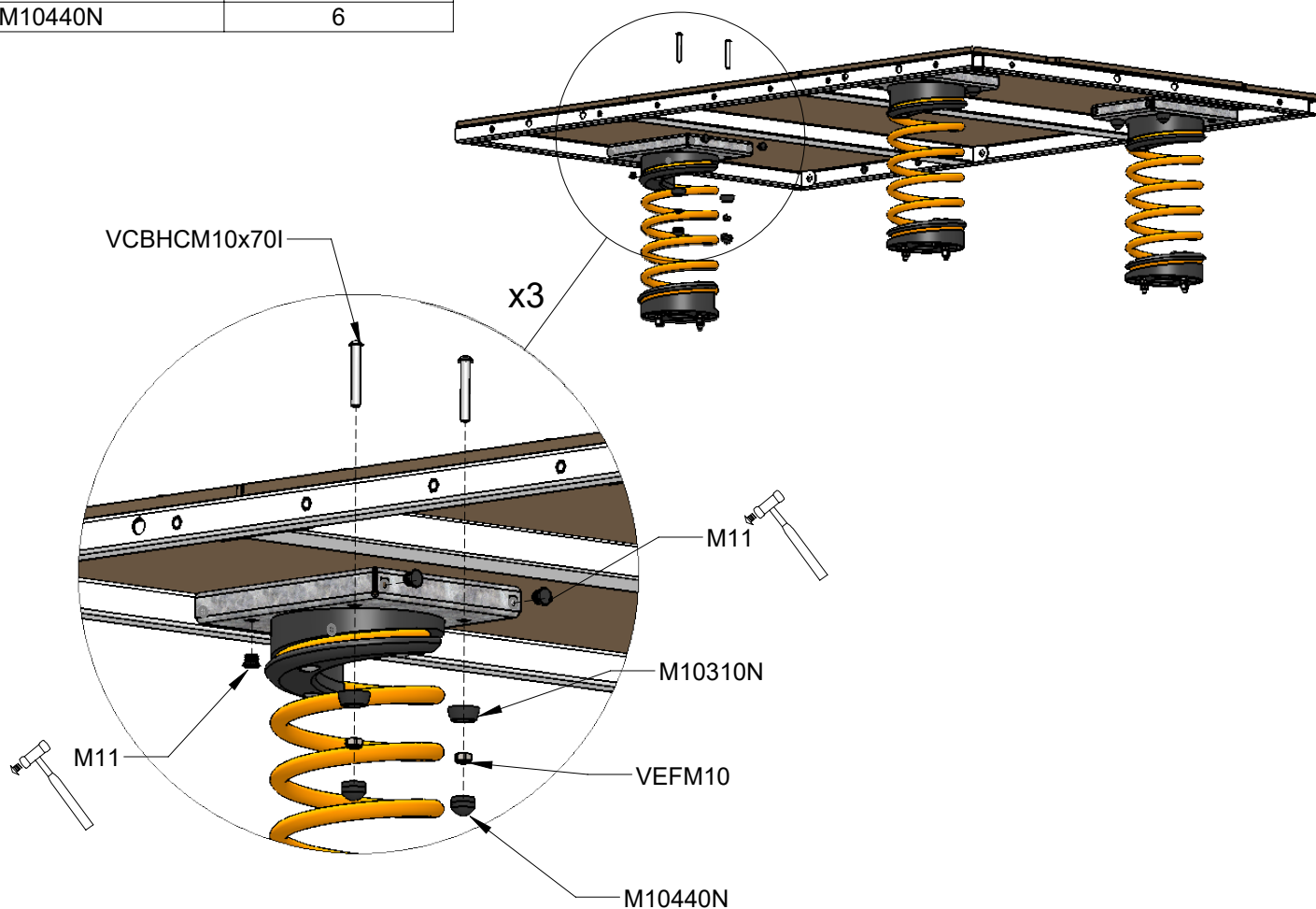
REF	Qté
VCBHCM10*30I	18
FT1199	1
FT1200	1
FT1201	1

4



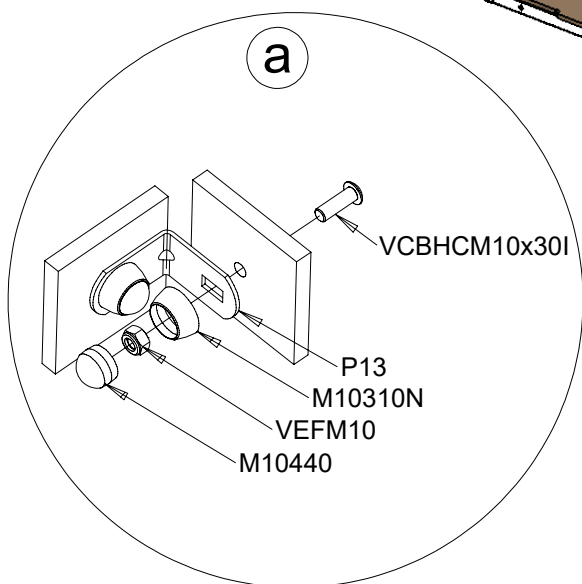
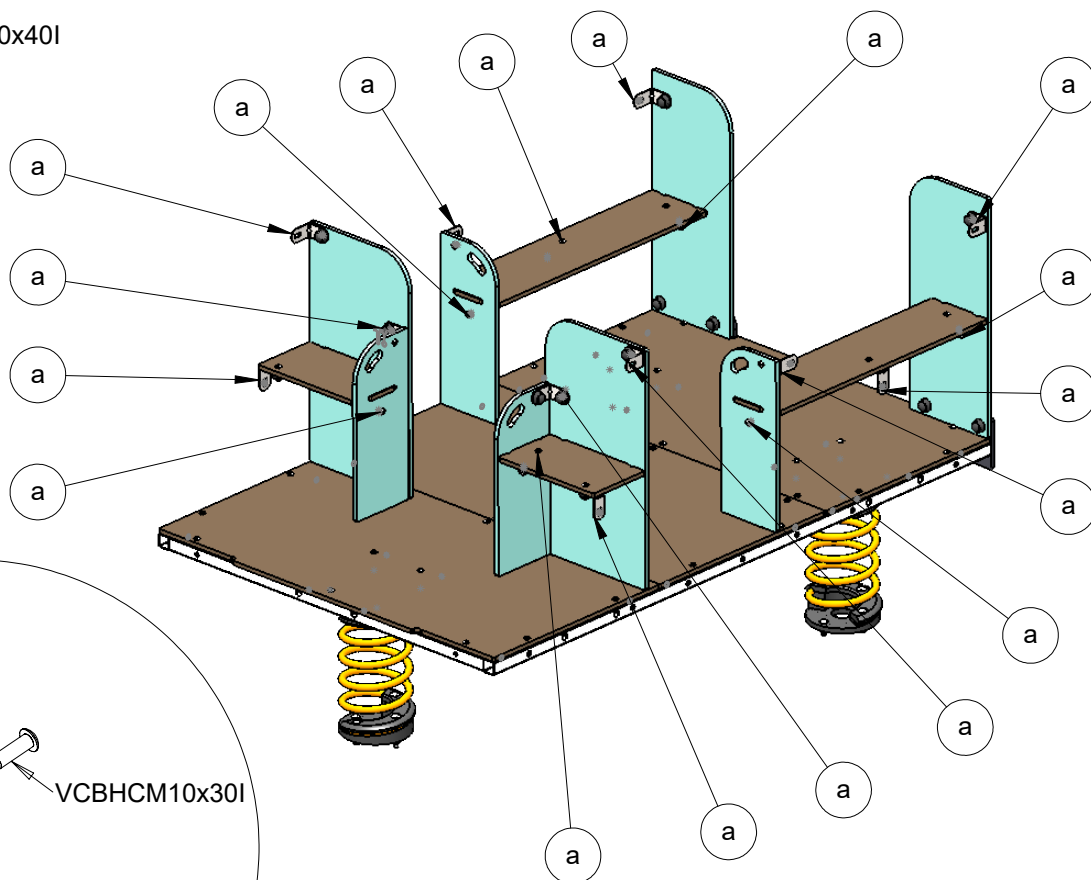
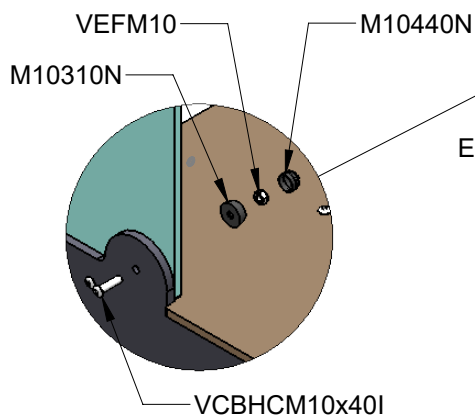
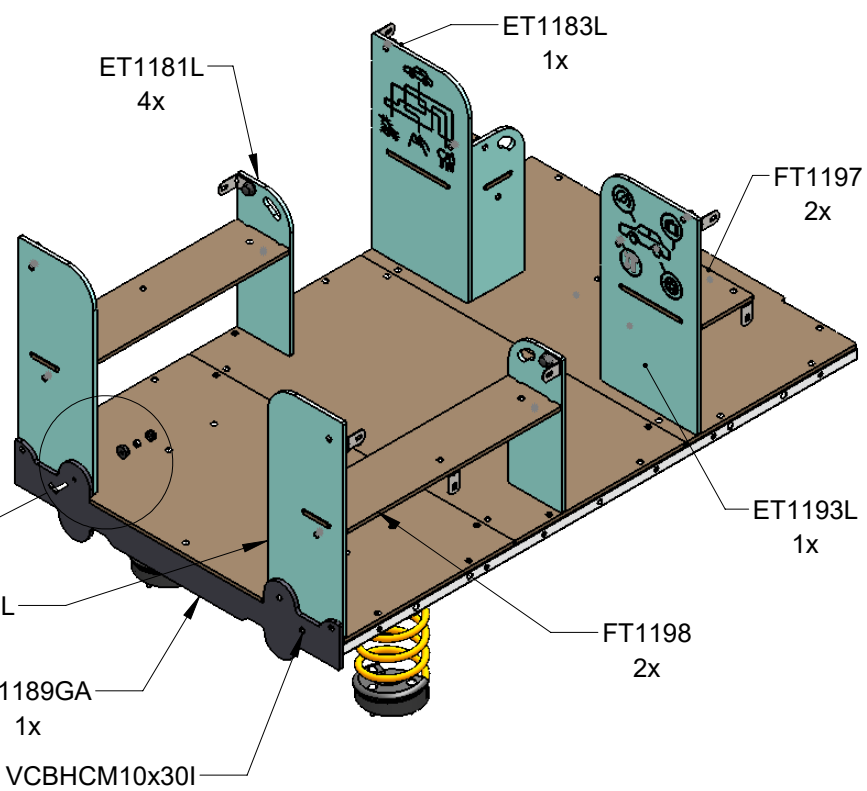
REF	Qté
VCBHCM10*70I	6
M11	12
VEFM10	6
M10310N	6
M10440N	6

5



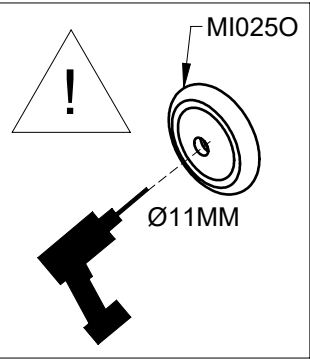
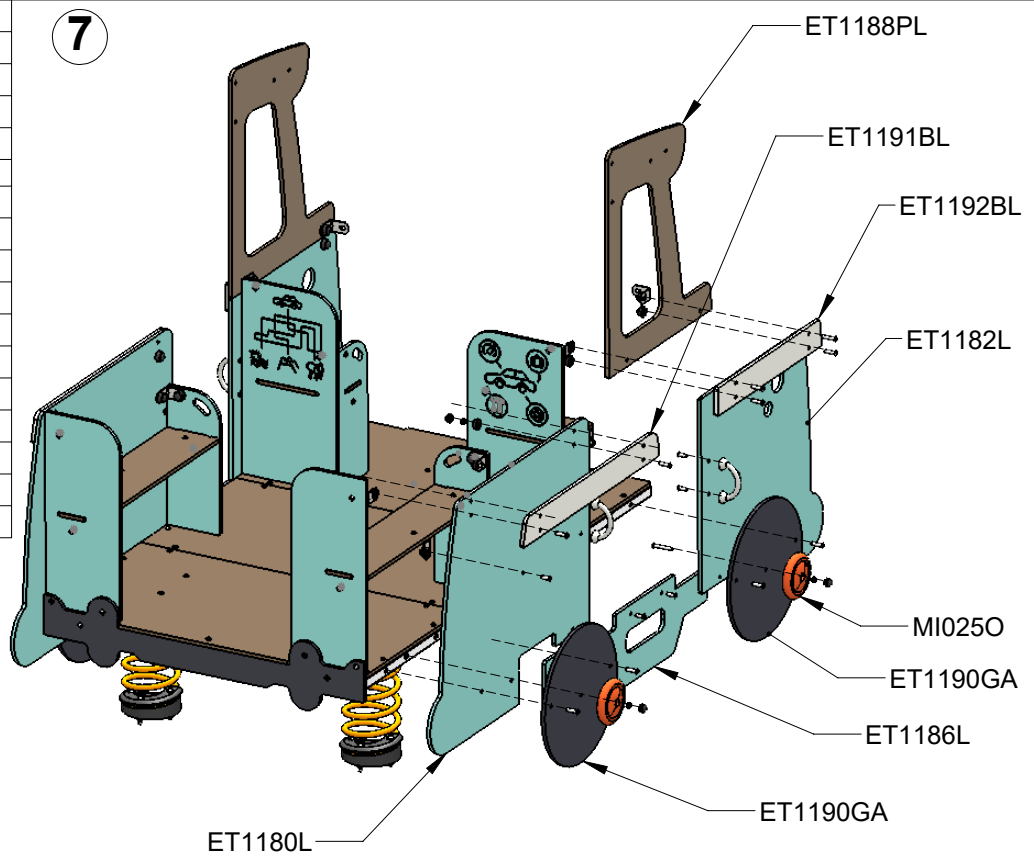
REF	Qté
ET1183L	1
ET1181L	4
ET1184L	2
ET1189L	2
FT1198	2
ET1193L	1
FT1197	2
VCBHCM10*30I	28
VCBHCM10*40I	4
VEFM10	34
M10310N	34
M10440N	34
P13	18

6

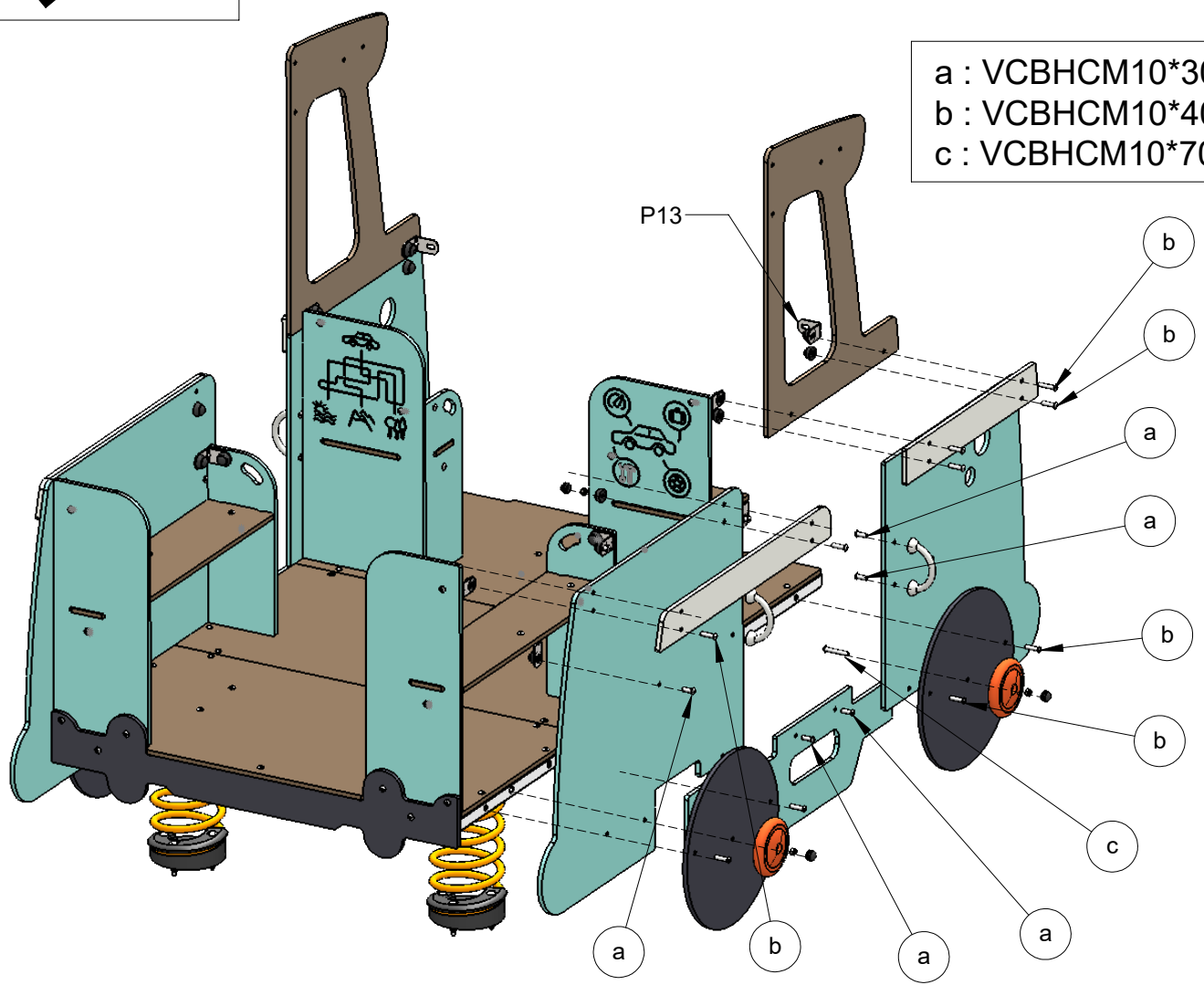


REF	Qté
ET1188PL	2
ET1191BL	2
ET1192BL	2
ET1182L	2
ET1190GA	4
ET1186L	2
ET1180L	2
MI800	4
MI025O	4
VCBHCM10*30I	20
VCBHCM10*40I	24
VCBHCM10*70I	4
VEFM10	56
M10310N	22
M10440N	26
P13	2

7

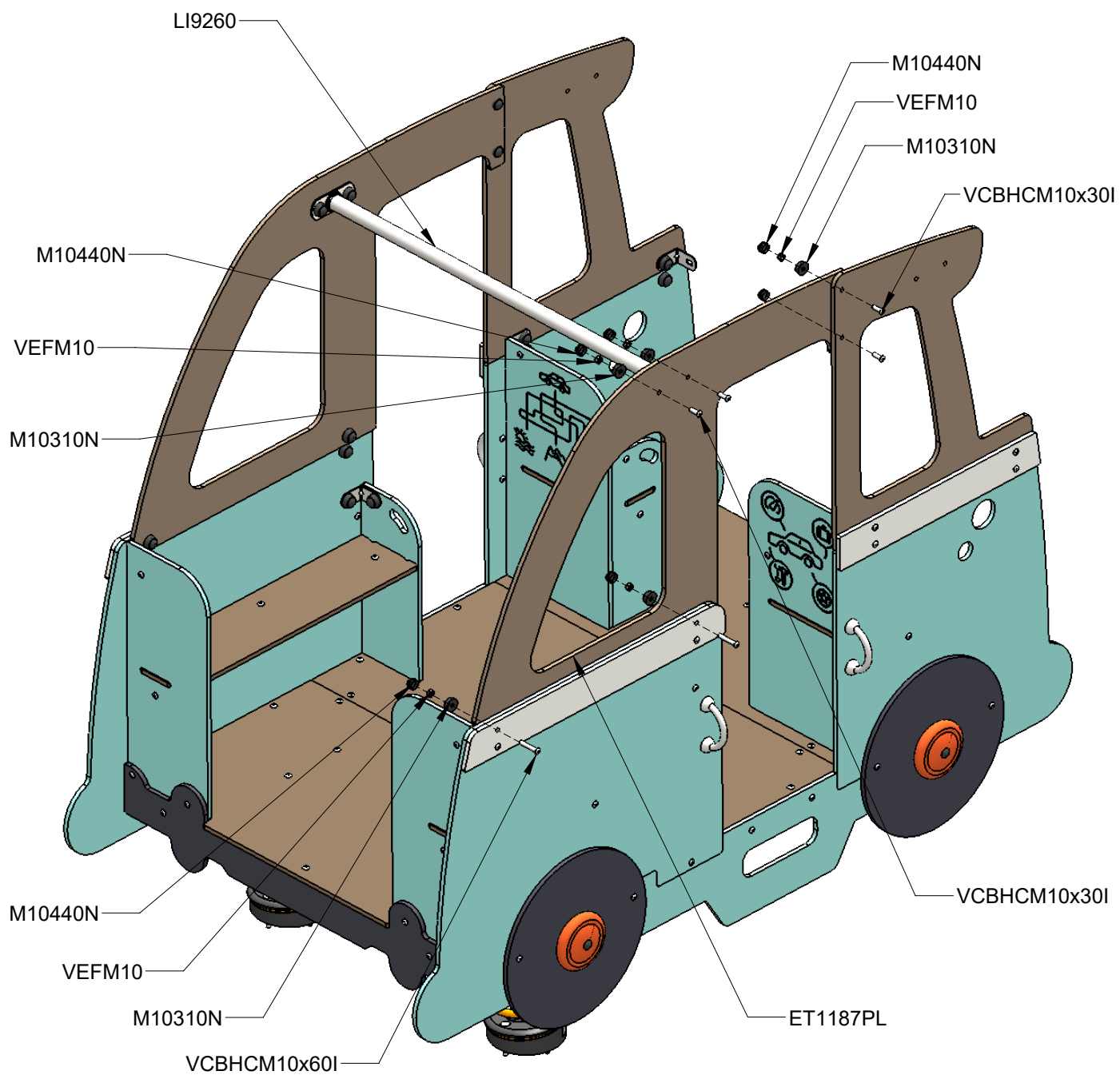


a : VCBHCM10*30I
 b : VCBHCM10*40I
 c : VCBHCM10*70I



REF	Qté
LI9260	1
ET1187PL	2
VCBHCM10*30I	8
VCBHCM10*60I	4
VEFM10	12
M10310N	12
M10440N	12

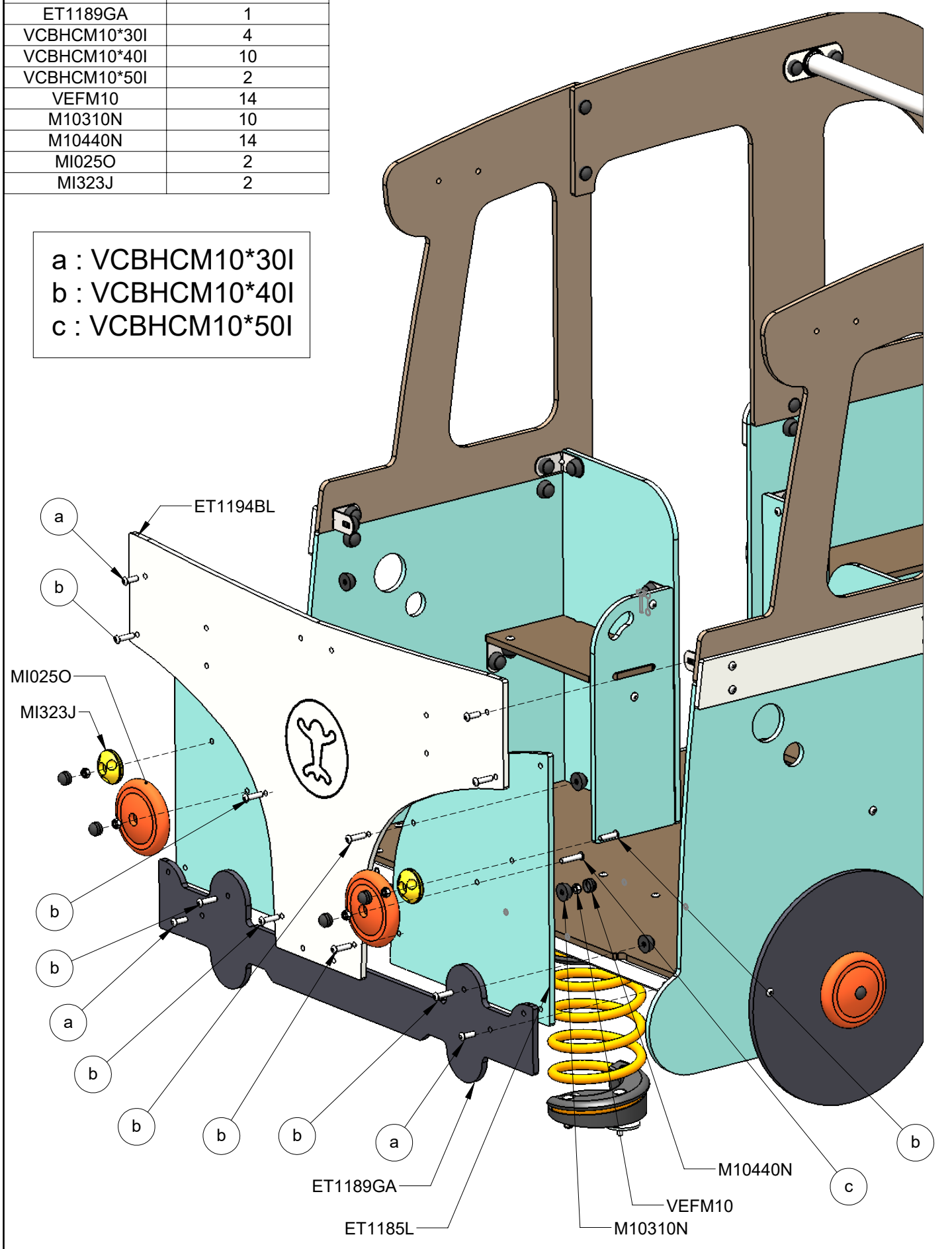
8



REF	Qté
ET1194BL	1
ET1185PV	2
ET1189GA	1
VCBHCM10*30I	4
VCBHCM10*40I	10
VCBHCM10*50I	2
VEFM10	14
M10310N	10
M10440N	14
MI025O	2
MI323J	2

9

a : VCBHCM10*30I
 b : VCBHCM10*40I
 c : VCBHCM10*50I



REF	Qté
LI950	1
LI951	1
LI2610	2
MI2502N	2
M10440N	12
M10310N	12
VEFM10	12
VCBHCM10*30I	8
VCBHCM6*25I	4
VEBM6	4
U4516	2

10

