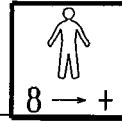


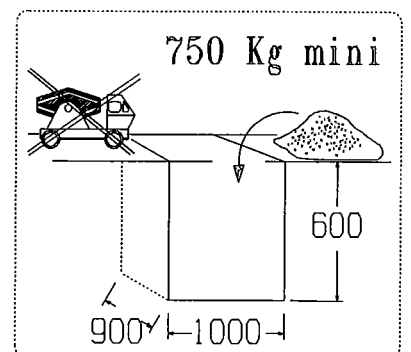
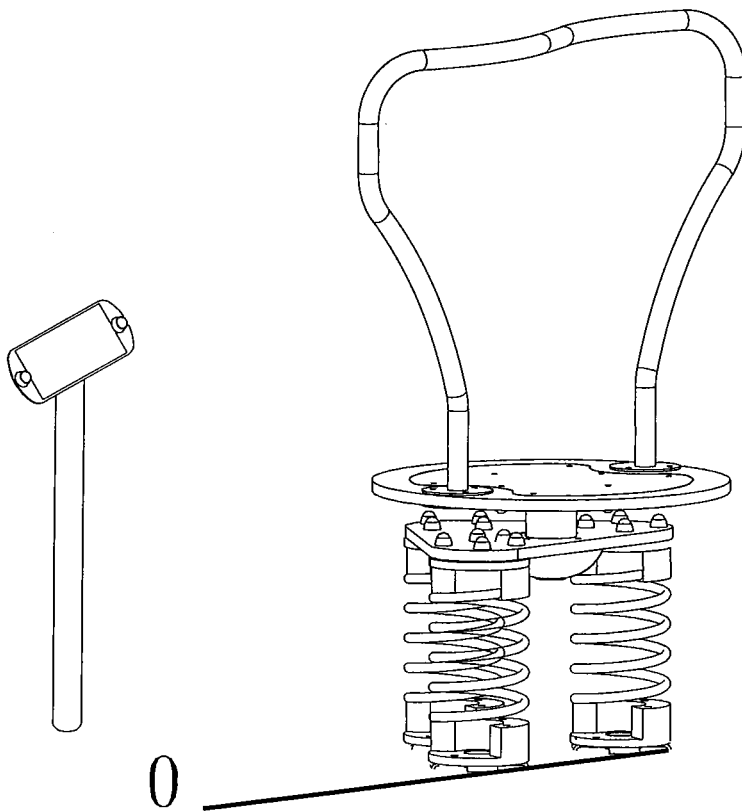
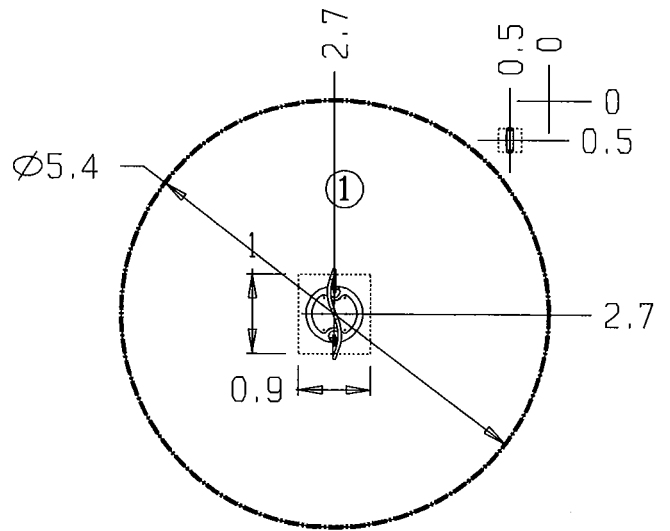
J 3501



Proludic

N°		
①	0.545 M	23 M ²

- Zone d'Impact
Impact Area
- - - Espace Libre
Free Space



EN1176 - 1 : 2017
EN 1176-5 : 2008

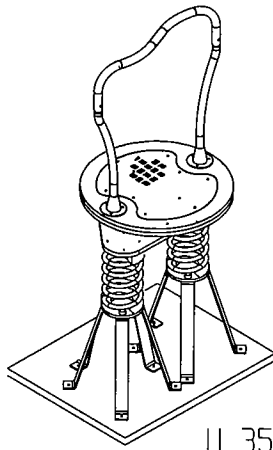
08-02-2010

J 3501

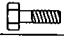



ProLudic



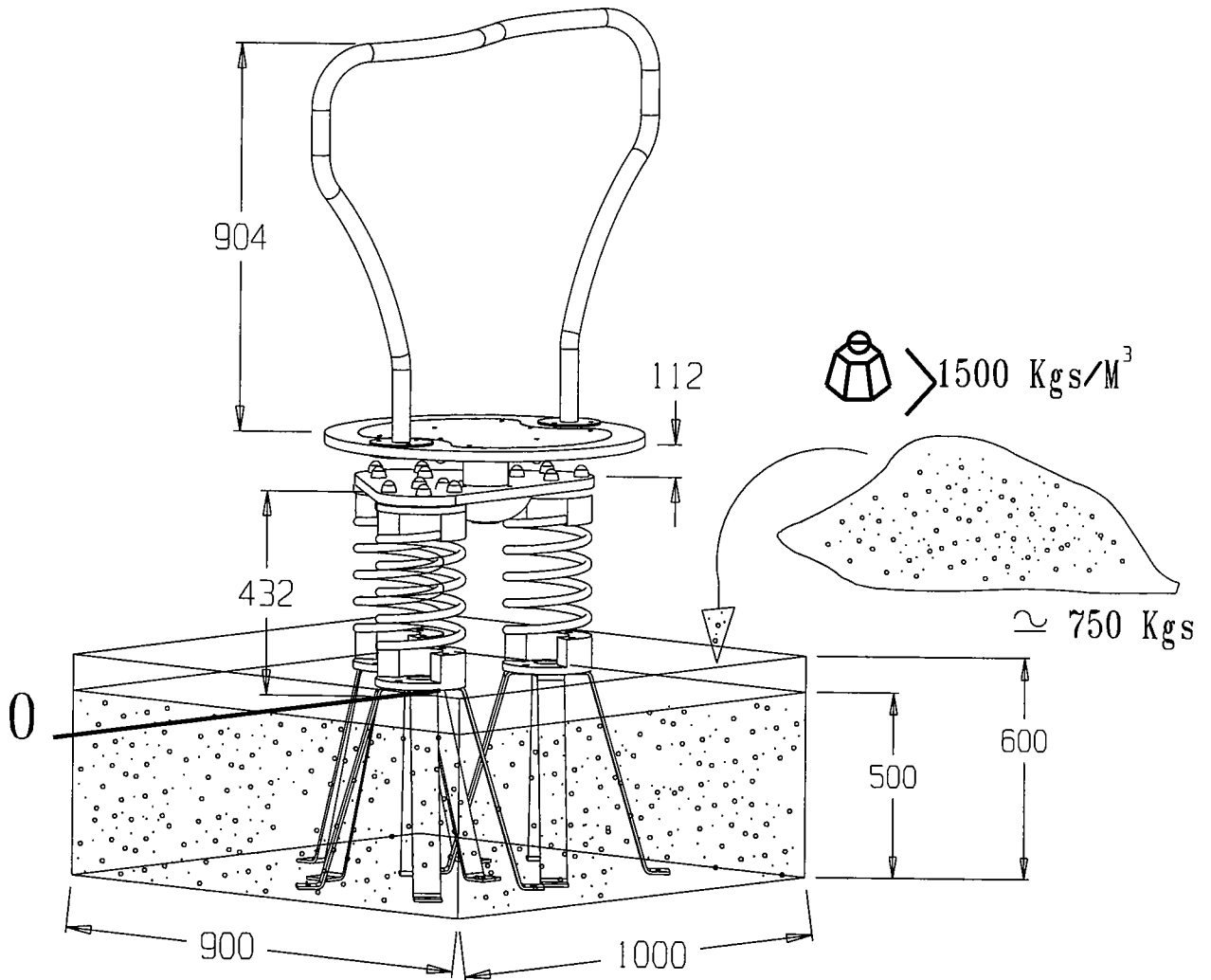
LI3543 x 1

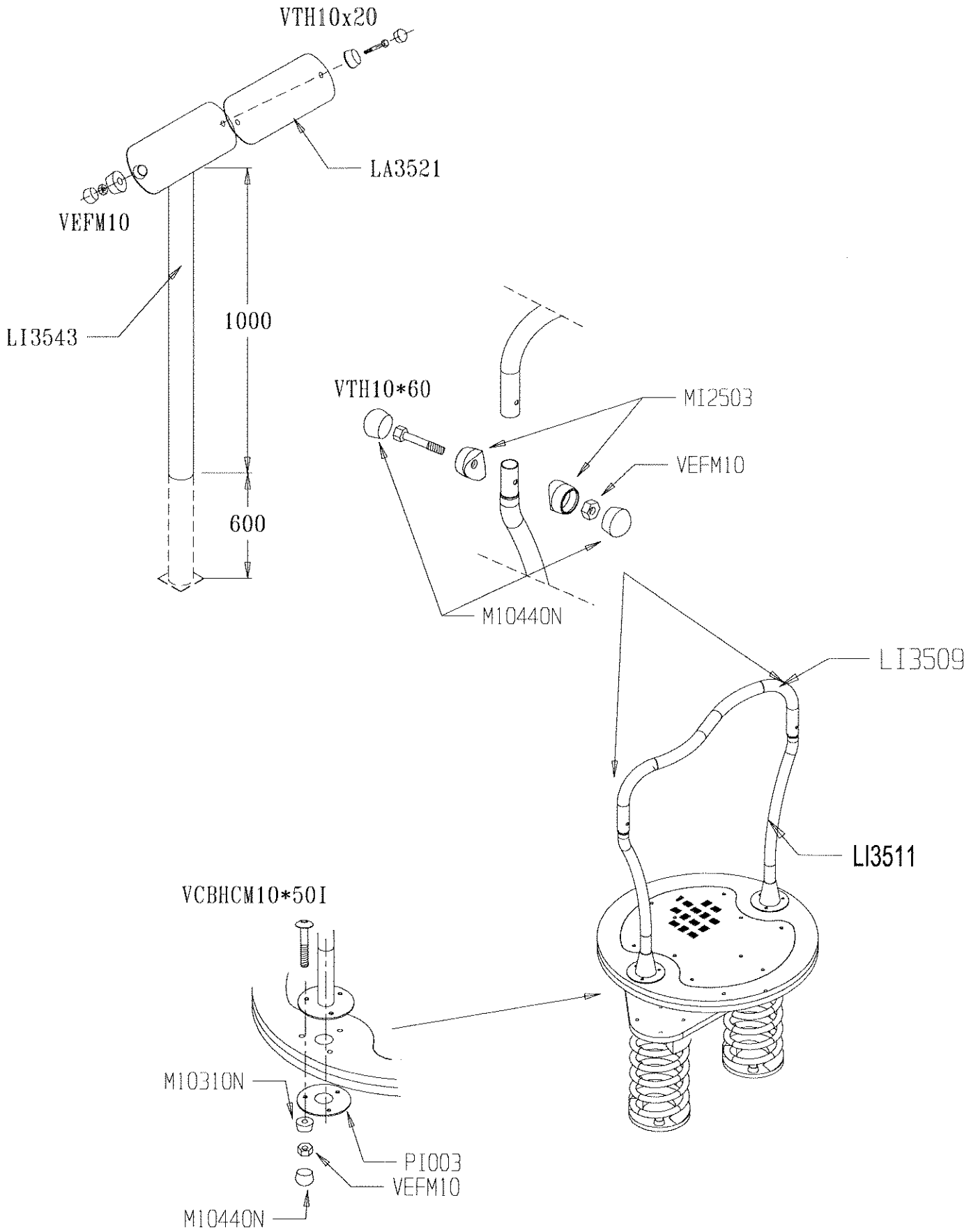


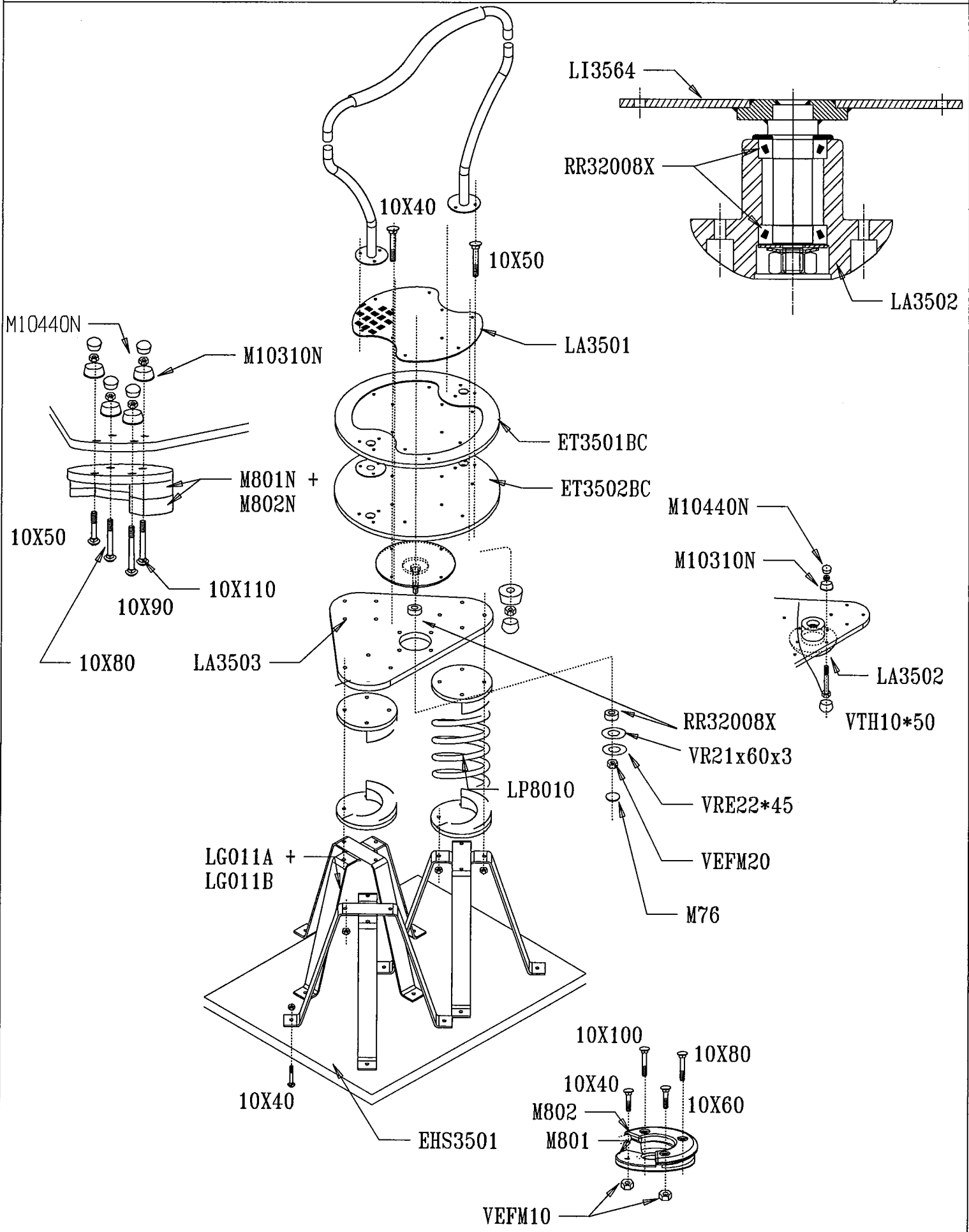
U 3501 x 1

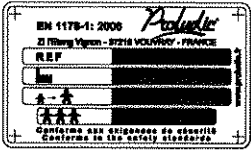
	VTH 10x20	2
	M10310N	4
	M10440N	4
	VEFM10	2

LA3521 X1



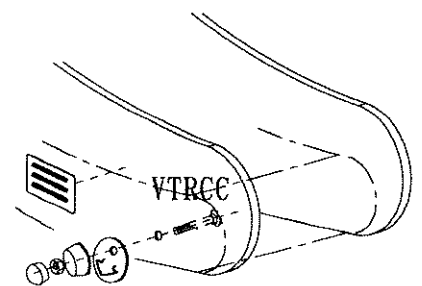
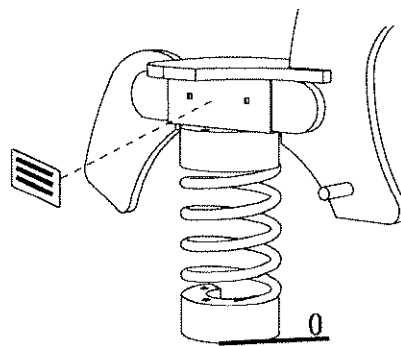
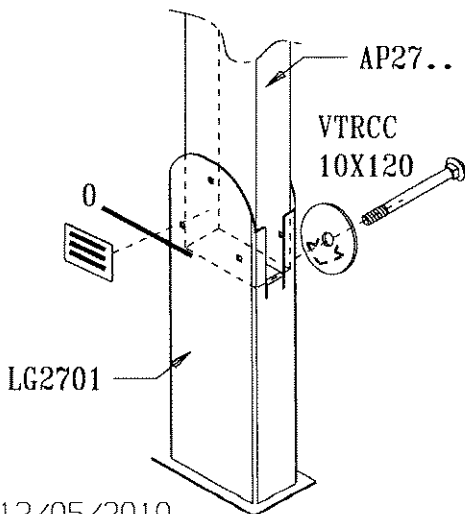
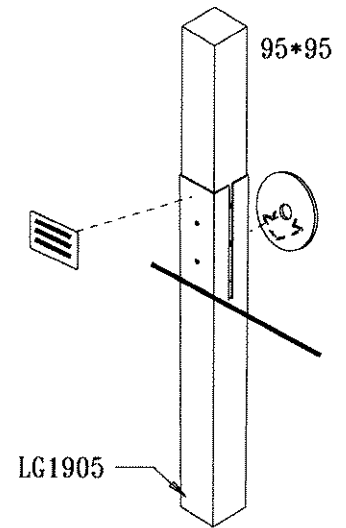
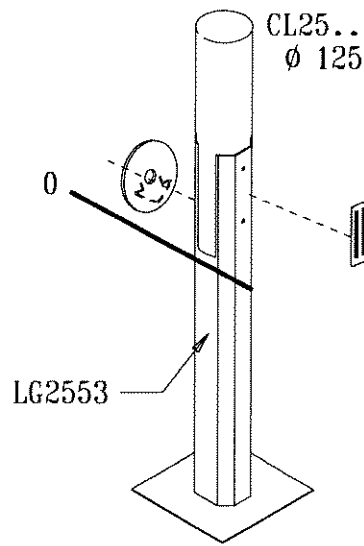
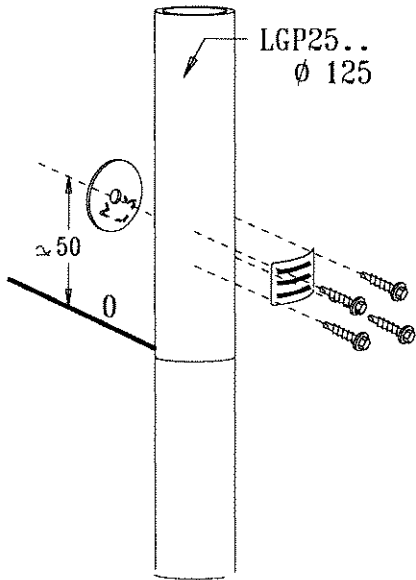
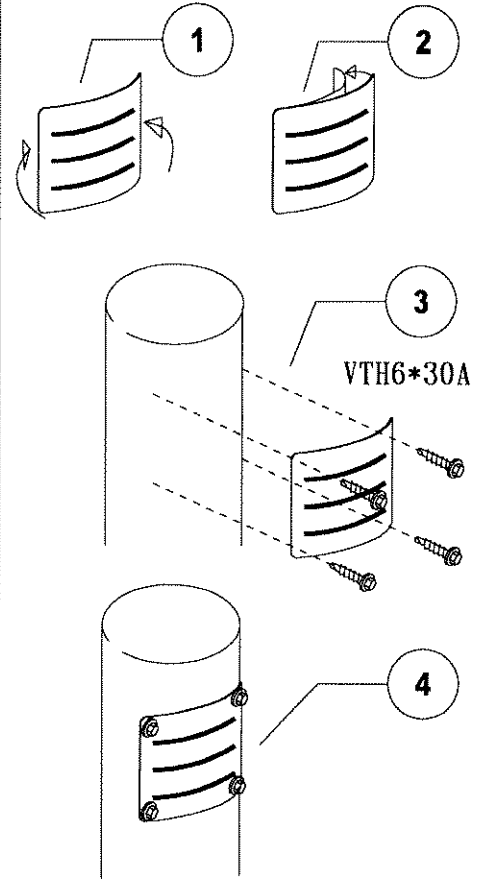
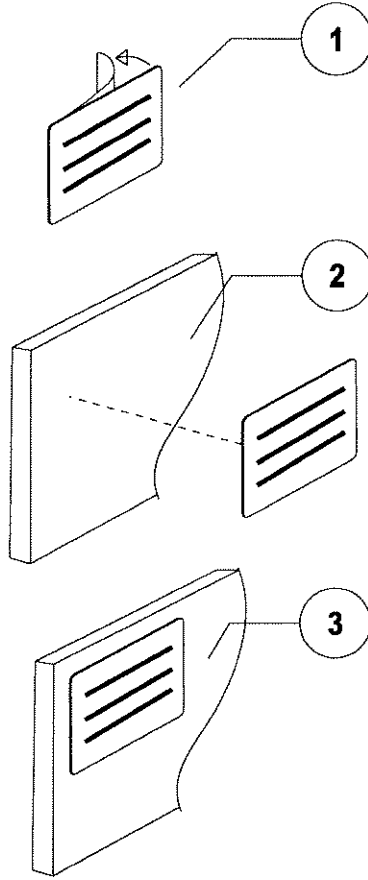
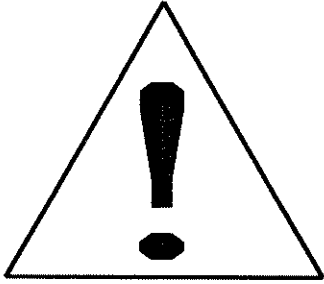


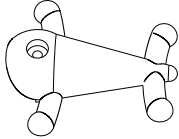
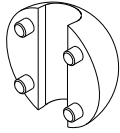
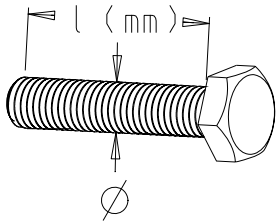
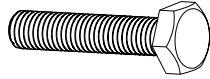

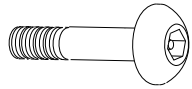
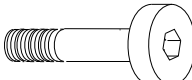
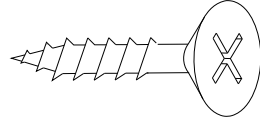
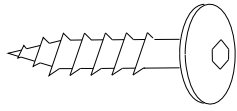
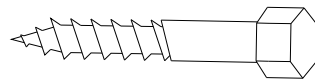
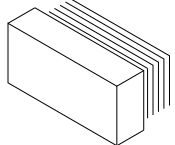
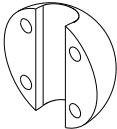
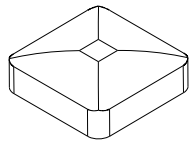
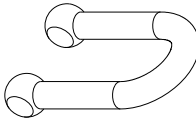
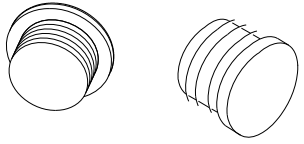
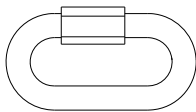
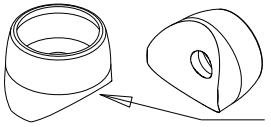
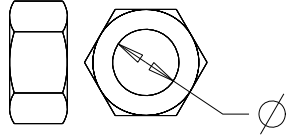
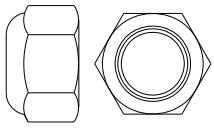
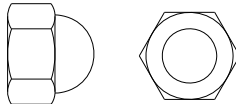
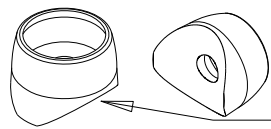
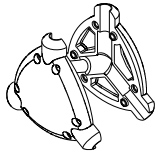
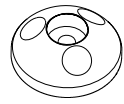
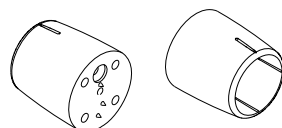




LA000

MI0002



	M100VJ		MI6A	 <p>VTH 10 x 120</p> <p>Ø</p> <p>l (mm)</p>  <p>VTH</p>  <p>VTRCC</p>  <p>VCBHC</p>  <p>VBTR</p>  <p>VWT</p>  <p>VBT</p>  <p>VTF</p>
	M4080		MI6B	
	MI0001N		RMANI06	
	M42		RMARA06	
	MI2503 Ø 40	 <p>VECMØ nut</p>  <p>VEFMØ locknut</p>  <p>VEBMØ blind nut</p>		
	MI2701 Ø 60			
	MI28N			
	MI323J			
	MI5C			