

**MONTAGEANLEITUNG:** 70-203 V12 001122

**Serie 800.**

Bitte sorgfältig aufbewahren!

**ASSEMBLY INSTRUCTIONS:** 70-203 V12 001122

**Serie 800.**

Please store this document in a safe place!


## Contents

	General note on safety	35	11. Compartments and special shelves	58
1.	General comments	36	11.1 Mailboxes	58
2.	Assembling the cabinet panels	37	11.2 Form compartments	58
2.1	Assembling a body supplied disassembled	37	11.3 Magazine shelves	59
2.2	Assembly variant: body with center partition	38	11.4 Pull-out shelf inserts	59
2.3	Assembly variant: body with center partition and construction shelf	38	12. Wardrobes	60
2.4	Erection in final position	38	13. Other cabinet types	61
2.5	Cut-outs in the body	39	13.1 Drawer cabinets	61
2.6	Leveling and connecting the body	40	13.2 Sliding door cabinets	62
2.7	Shelf inserts	41	13.3 Magazine cabinet	63
2.8	Installing swing doors, closing bracket, strikers	42	13.4 Roller-shutter cabinets	64
2.9	Aligning swing doors	43	13.5 Kitchenettes and cabinets with washbasin	64
2.10	Damping of swing doors	44	13.6 Locker cabinets	65
2.11	Bow handles, lock cases, closing olive	45	14. Special fittings	66
2.12	Adjusting the lock	46	14.1 Tilt protection	66
2.13	Combination lock	46	14.2 Concluding tasks	67
2.13.1	Combination locks with fixed code	46	14.3 Extras	67
2.13.2	Combination locks with free code	47		
3.	Attachments and accessories	48		
3.1	Attaching the finished back	48		
3.2	Attaching the side covers	48		
3.3	Mounting the top cover	48		
4.	Wall and ceiling closure	49		
4.1	Wall closure flush with body	49		
4.2	Front-flush wall closure without/with add-on cabinets	49		
4.3	Ceiling closure without joins – flush with body	50		
4.4	Front-flush ceiling closure	50		
4.5	Front-flush ceiling closure without/with add-on cabinets and join > 400 mm	51		
5.	Corner top and corner strip	52		
6.	Cabinet walls with add-on cabinets	52		
6.1	Shelf and swing door add-ons	52		
6.2	Cabinet walls with sliding door and add-on horizontal roller shutter	53		
7.	Suspended cabinets	54		
8.	Cabinet wall with base/add-on cabinets	55		
9.	Fixing elements for cabinet ladders	55		
10.	Fittings	56		
10.1	Hanging frames and wide drawers	56		
10.2	Concealed drawers	57		
10.3	Suspension rail	57		


### General note on safety:

The following symbols and notes are used in our Instructions for Use:

---

 **Important!** This symbol indicates an important assembly note.

---

 **Caution!** This symbol indicates a very important note.

---

## 1. General comments:

**⚠ Caution!** Please read these instructions carefully before starting to use the system and keep them in a safe place for future reference. They are also available via download: (see title in header).

**Intended use (scope):** The current Series 800 cabinet system is an extensive system that has been designed to be suitable for use in office environments. No liability will be assumed for any use other than that intended. Any other use or use beyond the intended scope (e.g. in workshops, storage areas, damp locations) is considered to be non-intended use. The company VS Vereinigte Spezialmöbelfabriken GmbH & Co. KG shall not be held liable for any loss or damage resulting from such use.

### General information on assembly:

**⚠ Caution!** The system may only be assembled by trained specialist personnel.

### Scope of delivery, assembly, transport:

- The Serie 800 cabinet system is generally supplied by VS Vereinigte Spezialmöbelfabriken GmbH & Co. KG preassembled in the form of discrete elements.
- Repairs may only be performed by employees of VS Vereinigte Spezialmöbelfabriken GmbH & Co. KG.
- The assembly of subsequently supplied accessories or any conversion operations made necessary by them may only be performed by persons who are perfectly familiar with the assembly instructions. Only original VS accessories may be used.
- If you have to move the Serie 800 cabinet system, make sure that all the electrical devices are unplugged from the mains and that no objects are present in the Serie 800 cabinet system.

### Checking the scope of delivery:

Do the delivered items correspond to the assembly plans and delivery note? Is there any transport damage?

### Problems?

If it is not possible to install the furniture correctly, please contact the customer service in the Tauberbischofsheim plant immediately.

### During assembly:

**Matching:** If cabinets are assembled in different rooms, make sure that the cabinet elements, doors, rails and accessories are all located in the correct rooms.

### Compare:

Check that the layout plans and grid sheets correspond to one another. Check the position of doors and windows!

### Connections:

If the connections for TV, radio, telephone, network, electricity, water, ventilation etc. are hidden by the cabinet installation, you must first check the following:

- Are the necessary cut-outs already taken into account in the order confirmation?
- Ask/inform the building owner or architect whether/these cut-outs are necessary.
- VS must inform the customer if, for example, other items cannot be used due to the cabinet wall.
- Clarify whether switches or lines have to be moved.
- The customer must ensure that the various contractors can work together successfully and on-schedule.
- Clarify whether holes have to be drilled for cavity wall boxes (68 mm) or cut-outs.
- If multiple holes have to be drilled, observe the correct center distance (72 mm)!
- If in doubt: Request binding sketches or diagrams.
- Present and request authorization of document relating to the assumption of costs.

### Miscellaneous:

**Disposal:** Remove the packaging from the furniture and dispose of it in an environmentally friendly manner.

### Corner protectors:

These are located on the bottom side of the cabinets and should usually be removed.

### Castor protection:

These are pulled over the castor surfaces and must usually be removed.

### Fittings:

Prior to assembly, clarify which inserts are to be assembled in which cabinets.

### On the Web:

You can find these Instructions on the Web:

### Use:

Please take account of the notes on the following pages.

### Faults and service:

If any faults occur, please contact our Customer Service: kundendienst@vs-moebel.de

### Maintenance and cleaning:

On the Internet: [vs.de/kataloge/reinigung/en](http://vs.de/kataloge/reinigung/en)

### Transfer und Disposal:

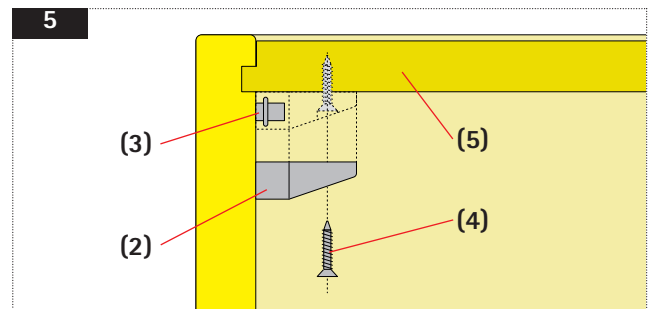
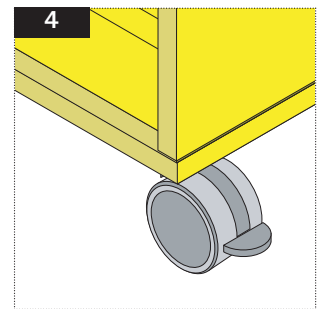
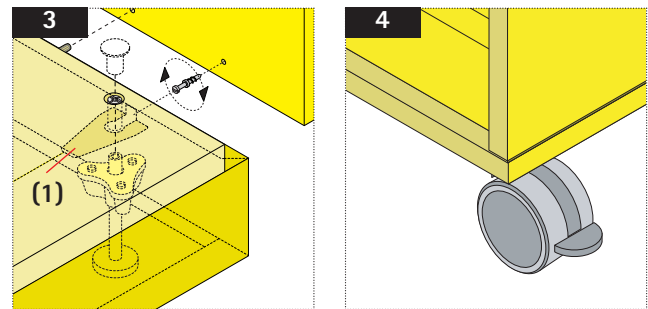
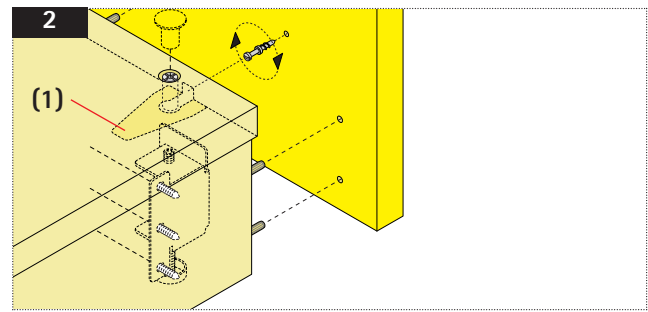
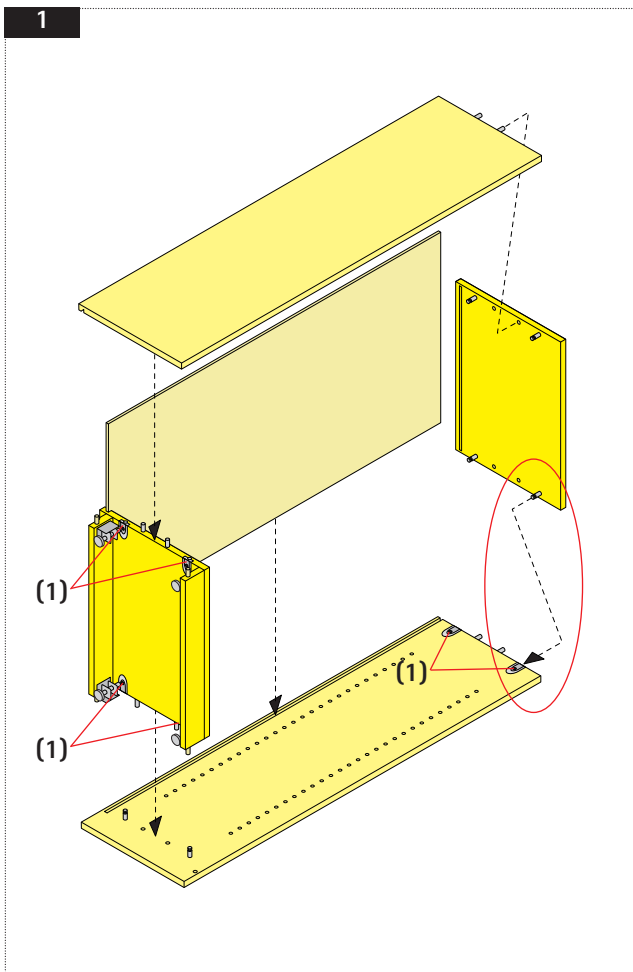
If the product is transferred to another party then it must be accompanied by these Instructions. Please contact your responsible local authority department regarding environmentally friendly disposal.

The indicated electric and electronic components must not be disposed of with the ordinary waste.

They must be removed from the furniture unit before the unit is sent for disposal.

They are to be disposed of at authorized collection and return points.





## 2. Assembling the cabinet panels.

**Important!** There are three types of base which are assembled in different ways. LIGNOpal base [Figure 2], steel base [Figure 3] or the mobile variant with castors [Figure 4].

### 2.1 Assembling a body supplied disassembled [Figure 1]

#### Step 1

Lay the side wall on the floor with the outside surface facing down (protect with a blanket). Attach the base shelf and loosely tighten the eccentric connector (1).

#### Step 2

Apply glue along the entire length of the back of the groove in the back panel (side and plinth) and insert the back shelf. In the case of mobile cabinets/shelves, fold towards the back [Figure 5].

#### Step 3

Lay the second side wall on the floor or on blocks with the outside surface facing down (protect with a blanket) and apply glue along the entire length of the back of the groove in the back panel. Place the side wall on the base shelf and side and tap with a rubber hammer; loosely tighten the eccentric connector (1).

#### Step 4

Apply glue to the back of the groove in the upper part of the base and press onto the body positioned on the floor. Tap into place with a rubber hammer; loosely tighten the eccentric connector (1).

#### Step 5

Tighten all the eccentric connectors (1).

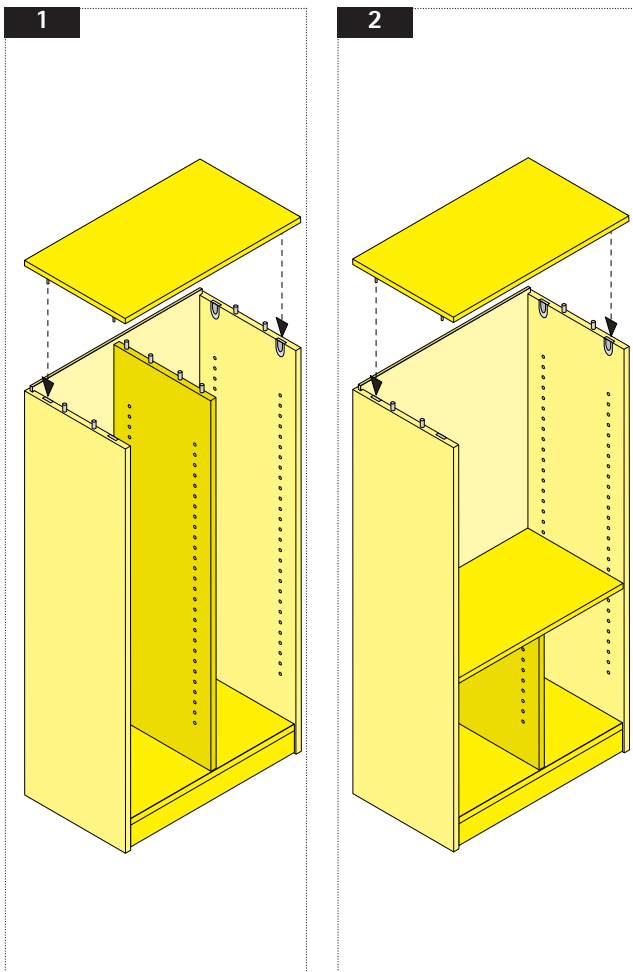
**Caution!** Check that there is enough space to turn the fully assembled cabinet upright again. If there is not, assemble the cabinet in standing position. **Sequence:** Plinth - ...

**Step 6 [Figure 5];** (only for mobile cabinets) Clip back panel holder (2) to shelf carrier (3) and use screw (4) to screw the back panel holder to the back panel (5).

**Caution!** Make sure that the side does not bulge.

#### Step 7

Turn the cabinet onto its back and lift into upright position. Remove any excess glue.



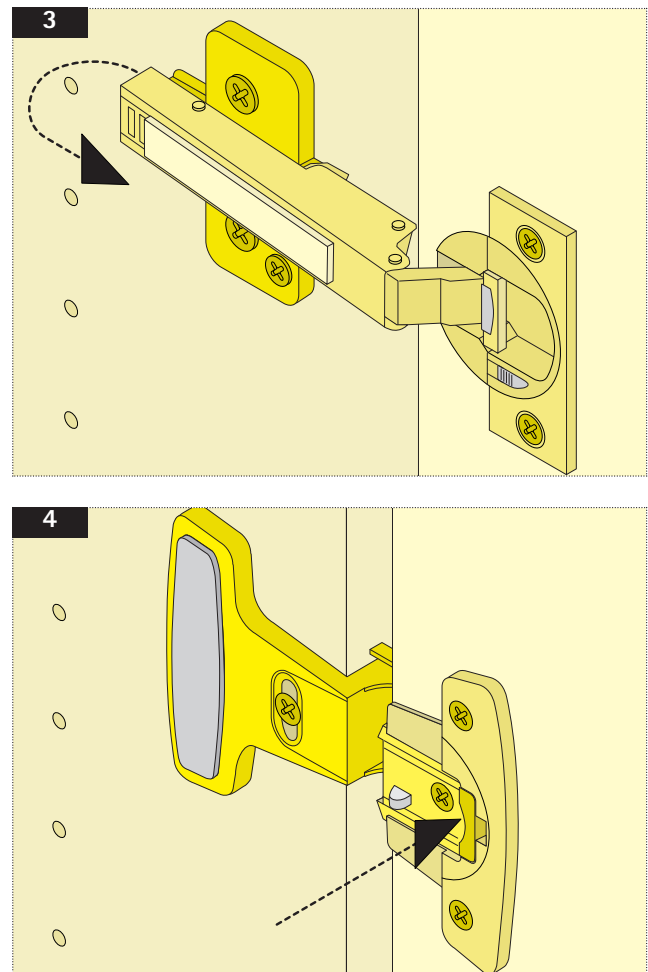
## 2.2 Assembly variant: body with center partition [Figure 1]

Assemble body as described in 2.1 step 1-4 Insert the center partition in the base shelf diagonally from above and then push/tap upwards toward the dowel-holes until these engage. Tap the top panel firmly into position and tighten all the eccentric connector as described in Step 5.

**Caution!** Check: Is a center partition flush with the body or is a set-back center partition required?

## 2.3 Assembly variant: body with center partition and construction shelf [Figure 2]

Assemble body as described in 2.1 step 1-6 Insert center partition in the base shelf. Insert the construction shelf diagonally on one side into the side wall and press/tap downwards on the other side (making sure the center partition is in the correct position) until the dowels engage on the opposite side. Tap the side walls firmly into position and tighten the eccentric connectors.



## 2.4 Erection in final position

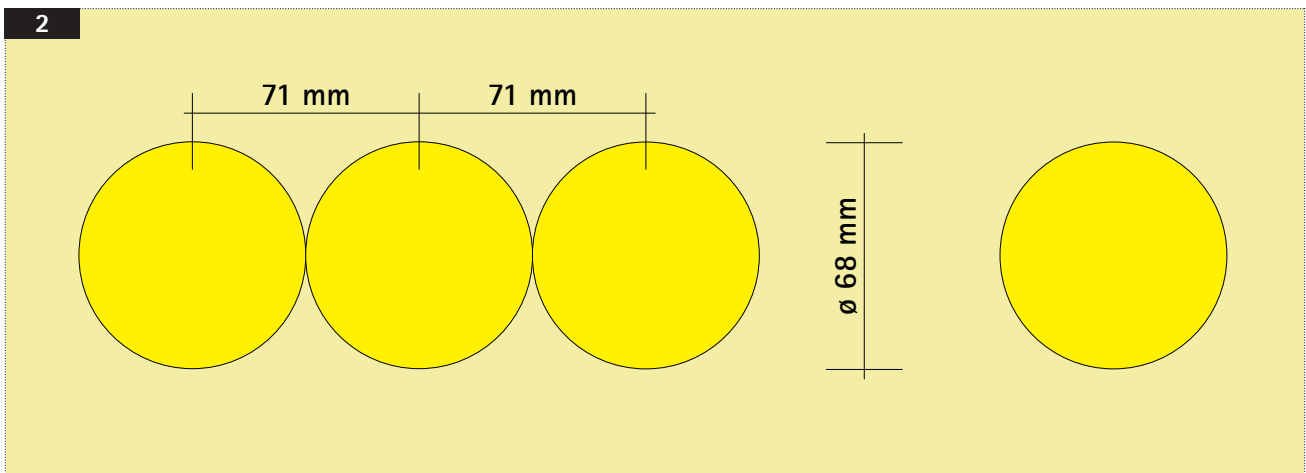
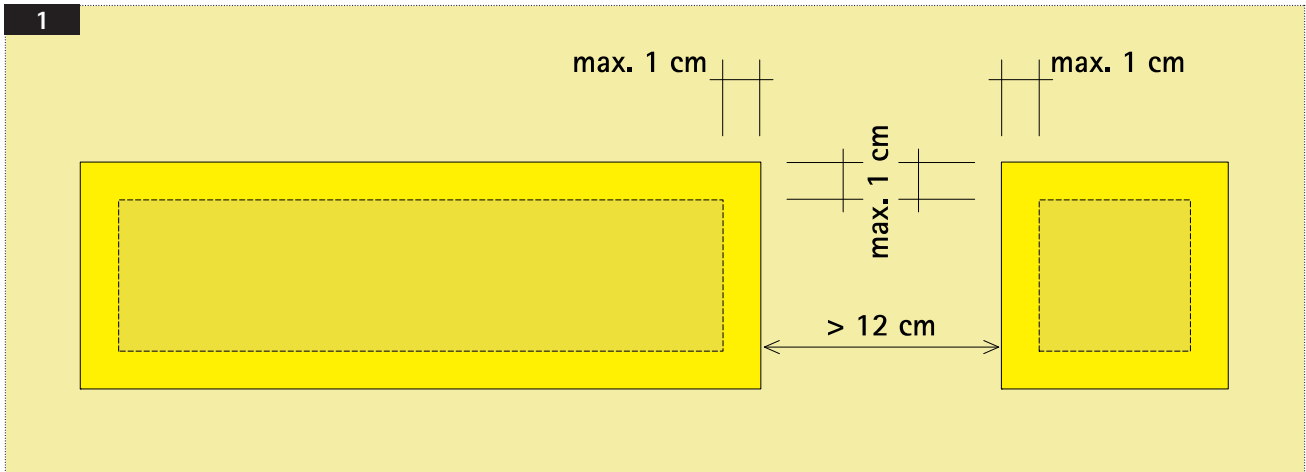
**Caution!** In the case of cabinets delivered pre-assembled, it is essential to remove the four transport corner protectors below the base; caution! Make sure that all the clips are fully removed as otherwise there is a risk of damage to the floor!

### Step 1

In the case of cabinets supplied pre-assembled, remove the doors. In the case of concealed hinges [Figure 3] loosen the locking mechanism (see arrow) and press forwards. In the case of visible hinges [Figure 4], use a slot-head screwdriver to unlock at the hinge (see arrow).

### Step 2

Move the bodies to the place of installation and provide for a wall fixing (see 14.1) if necessary.



## 2.5 Cut-outs in the body

Connections for TV, radio, IT equipment, telephone, electricity, water, etc. must be provided in the building if required.

**Caution!** Cut-outs are an additional service charged for separately unless listed in the order confirmation.

**Caution!** Take account of possible changes in position due to height adjustments/lateral movements.

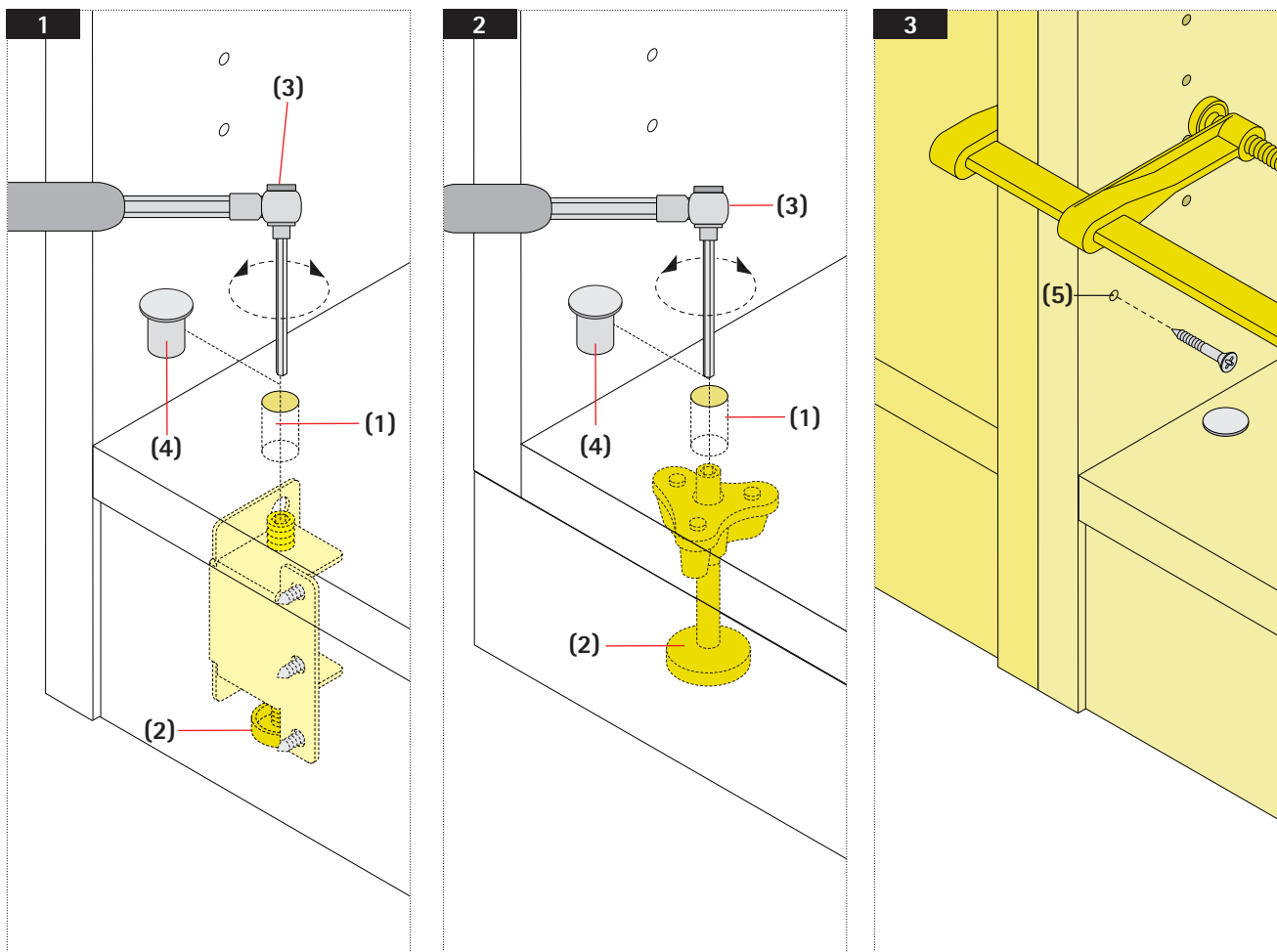
**Caution!** If there are multiple connections next to one another then it is necessary to produce multiple cutouts.

Produce the cut-outs with a keyhole saw or bell-saw drill attachment (max. 1 cm excess length and width). Gently chamfer and smooth the cut edges using a file or an abrasive sheet.

**[Figure 1]** Sockets behind the cabinet  
Rule of thumb: Distance > 12 cm = two cut-outs

**[Figure 2]** Cavity wall boxes

**Caution!** Secure cabinet against movement (to avoid cable, hose or pipe breakage).



## 2.6 Leveling and connecting the body

### Step 1

Bodies must be aligned horizontally and vertically. Fine adjustment (2) is performed via the holes in the base shelf (1) Tool: elongated Allen key, size 4 with 1/4" ratchet (3) or similar. Replace cover (4).

#### Important!

[Figure 1] shows a LIGNOpal base, [Figure 2] shows a steel base.

#### Caution!

Maximum adjustable height = 25 mm

### Step 2

The bodies are connected [Figure 3] by bolting them together flush.

#### Important!

Please use C-clamps.

Predrill using a 4.5 mm drill bit (5). The holes should be drilled in the front area above or below the hinges. In the center between the hinges.

#### Caution!

Choose the drilling positions in such a way that the shelf inserts hide these or cover them with VS adhesive pads of the corresponding color.

Connecting the cabinets with 4.5 x 35 mm Spax screws

Minimum number of screws for height units

HU	Front	Back
2	2	2
3	2-3	2
4	3-4	3
5	3-5	3
6	5	3

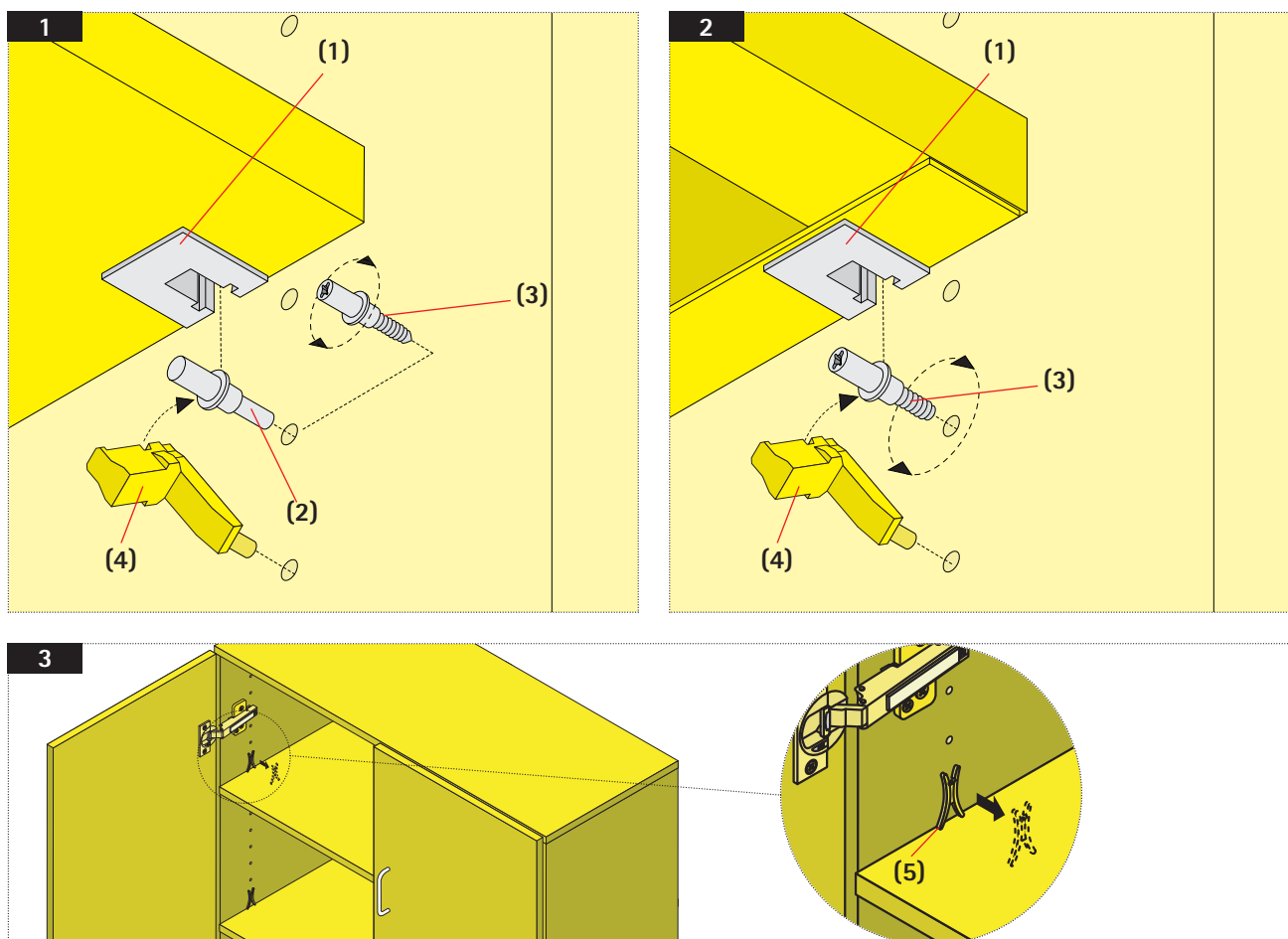
#### Caution!

Open cabinet next to cabinet with door. The screw on side walls from door side.

Open cabinet or cabinet with glass doors next to cabinet with door. Concealed screw fixing through cabinet with door.

#### Caution!

Do not drill in the line of drill holes.



## 2.7 Shelf inserts

The support for the shelf carriers (1) is the same for all shelf carriers:

LIGNOpal [Figure 1], chip-plywood [Figure 1] or metal shelf insert [Figure 2].

### Variant 1

Number of shelves corresponds to coded basic variant

#### Non disassembled cabinets:

The shelf inserts are installed ex works.

#### Disassembled cabinets

Threaded shelf carriers are installed ex works.

### Variant 2

Number of shelves does not correspond to coded basic variant

#### Non disassembled cabinets:

The shelf inserts are stacked on the lower base shelf.

#### Disassembled cabinets

Shelf inserts are enclosed separately.

#### Important!

Always insert socket bolts (2) together with a support (4).

## Normal distribution of shelf inserts

First shelf carrier from bottom: 35.6 cm

Further shelf carriers at center distance: 37.5 cm (= 1 HU)

**Caution!** The required shelf carriers are located in the accessories pack.

**Caution!** In the case of shelf inserts with wardrobe holders, always use threaded shelf carriers!

**Caution!** When removing the shelf inserts, press upwards evenly and carefully in order to avoid damage!

**Caution!** Make sure that the cabinet is stable: Screw in four threaded shelf carriers in the middle of the free space at the top.

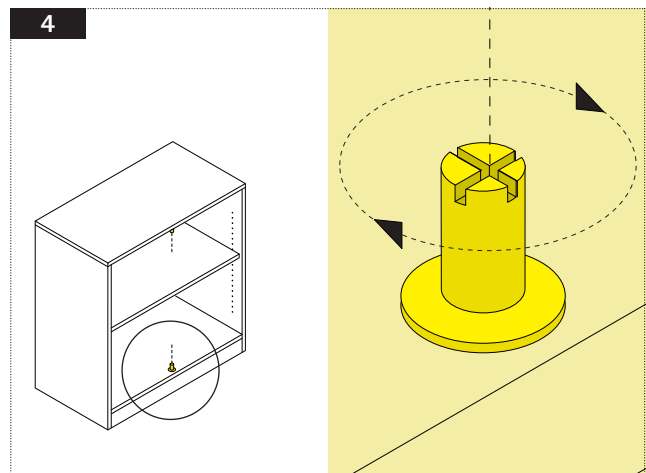
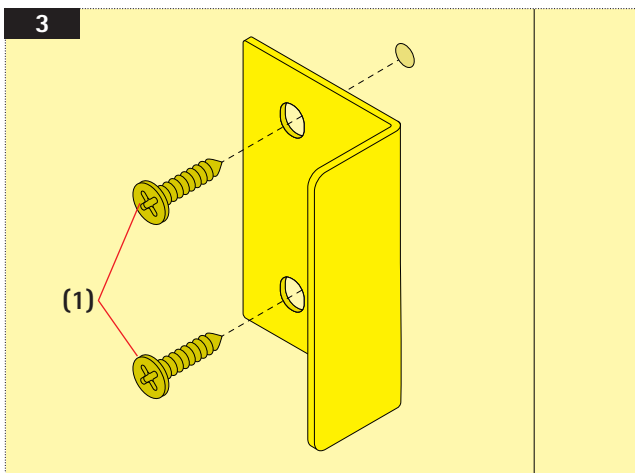
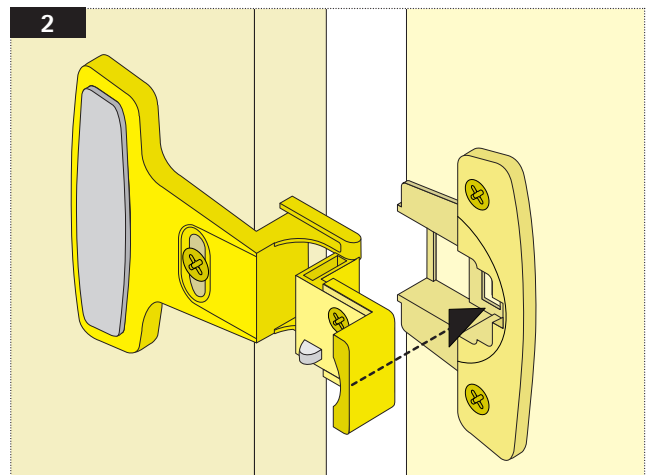
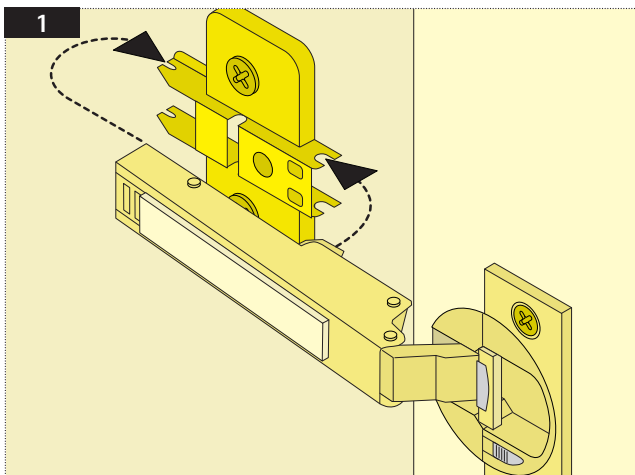
#### Important!

Always install metal shelf carriers with threaded bolts (3) and supports (4).

## Transport protection [Figure 3]

On delivery, the pre-mounted shelf inserts are secured with a transport protection (5). This is not needed during use and should be removed. To do this, pull the transport protection off to the side.





## 2.8 Installing swing doors, closing bracket, strikers

### Installing the swing door

Fold out the hinge. Push in the door at the required height.

### In the case of concealed hinges [Figure 1]:

Push in = then press in front arrow using the thumb (rear arrow).

### In the case of visible hinges [Figure 2]:

Engage = press in with the thumb (see arrow).

### Fixing the closing bracket [Figure 3]

**Assembled cabinets:** The closing bracket is installed ex works.

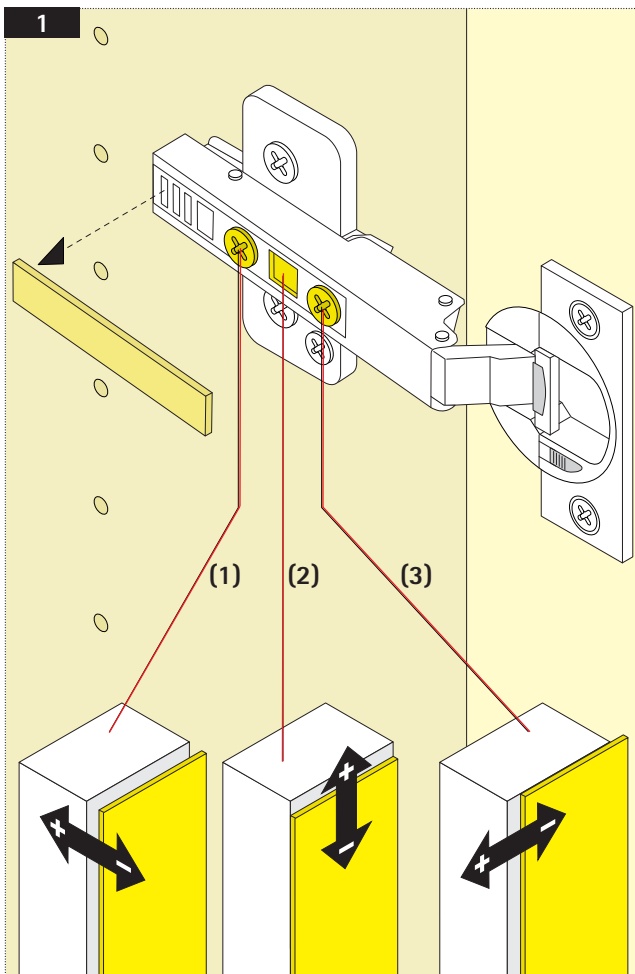
**Disassembled cabinets:** The closing bracket is located in the accessories pack.

### Mount the closing bracket

Measure the installation height. Screw on the closing bracket using a 6.3 x 11 mm (1) euro screw.

### Smooth-running closure [Figure 4]

Insert the top and bottom strikers in the predrilled holes. Use a screwdriver to adjust the eccentric top and bottom strikers so that the clip engages easily.



## 2.9 Aligning swing doors

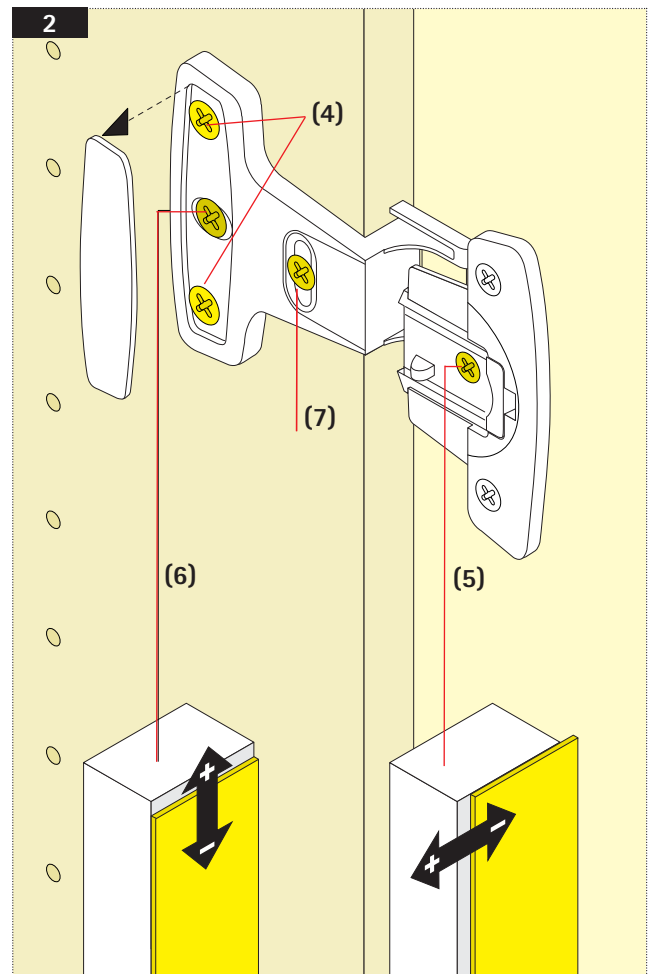
**[Figure 1]**

Opening angle up to 110°.

In the case of concealed hinges: Remove the protective caps. Adjust as required using a screwdriver.

**[Figure 1]**

Adjust over  
 (+ 3 / - 2.0 mm) (1)  
 (± 3 mm) (2)  
 (± 2 mm) (3)



**[Figure 2]**

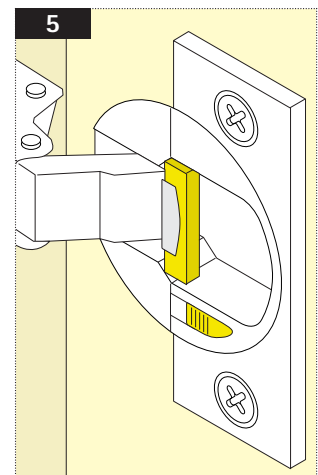
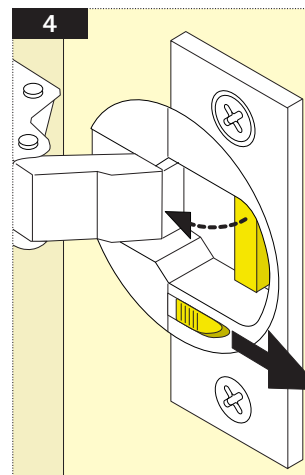
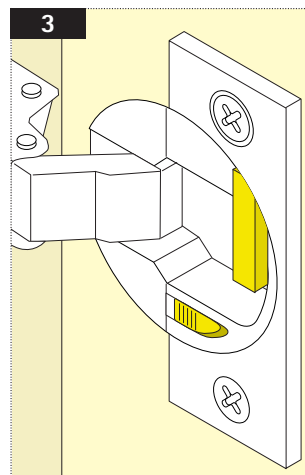
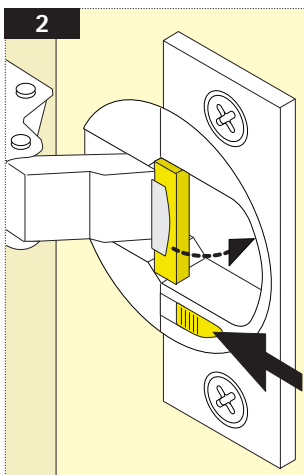
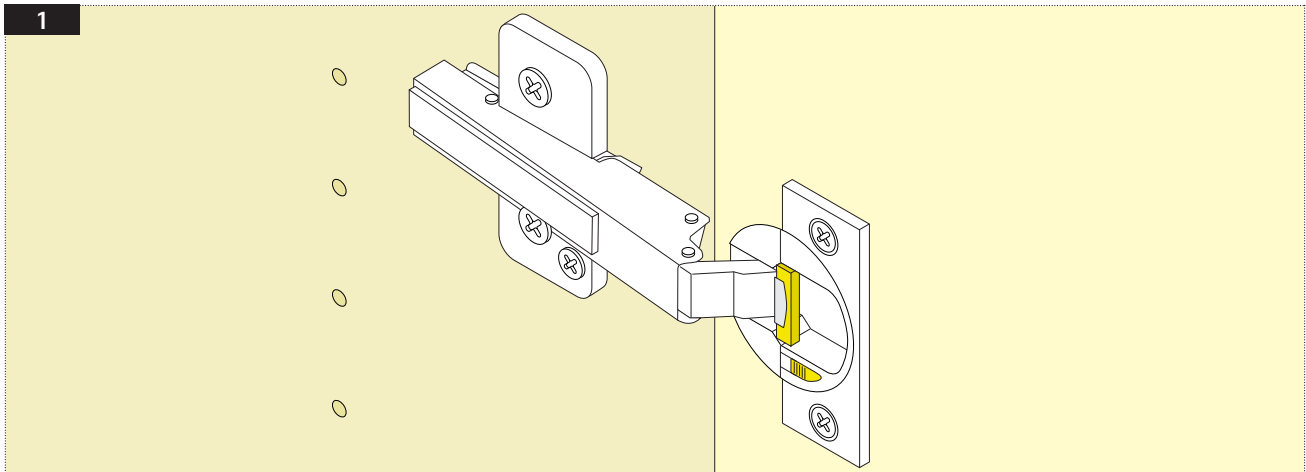
Opening angle up to 270°.

In the case of visible hinges: Release the screws (4), and remove the protective caps. Then adjust as required using a screwdriver.

**[Figure 2]**

Adjust over  
 Eccentric screw - positional adjustment (- 2 mm) (5)  
 Eccentric screw - height adjustment (± 2 mm) (6)  
 Third fixing screw (7)

When adjustment is complete, replace the protective caps.



## 2.10 Damping of swing doors

**In the case of concealed hinges [Figure 1]**  
Damping can be activated or deactivated at each hinge as required. Just push using the finger.

**Damping off**  
Press slider inwards [Figure 2] Damper folds in the next time the door is closed [Figure 3].

**Damping on**  
Press slider forwards [Figure 4].  
Damper folds forwards [Figure 5].

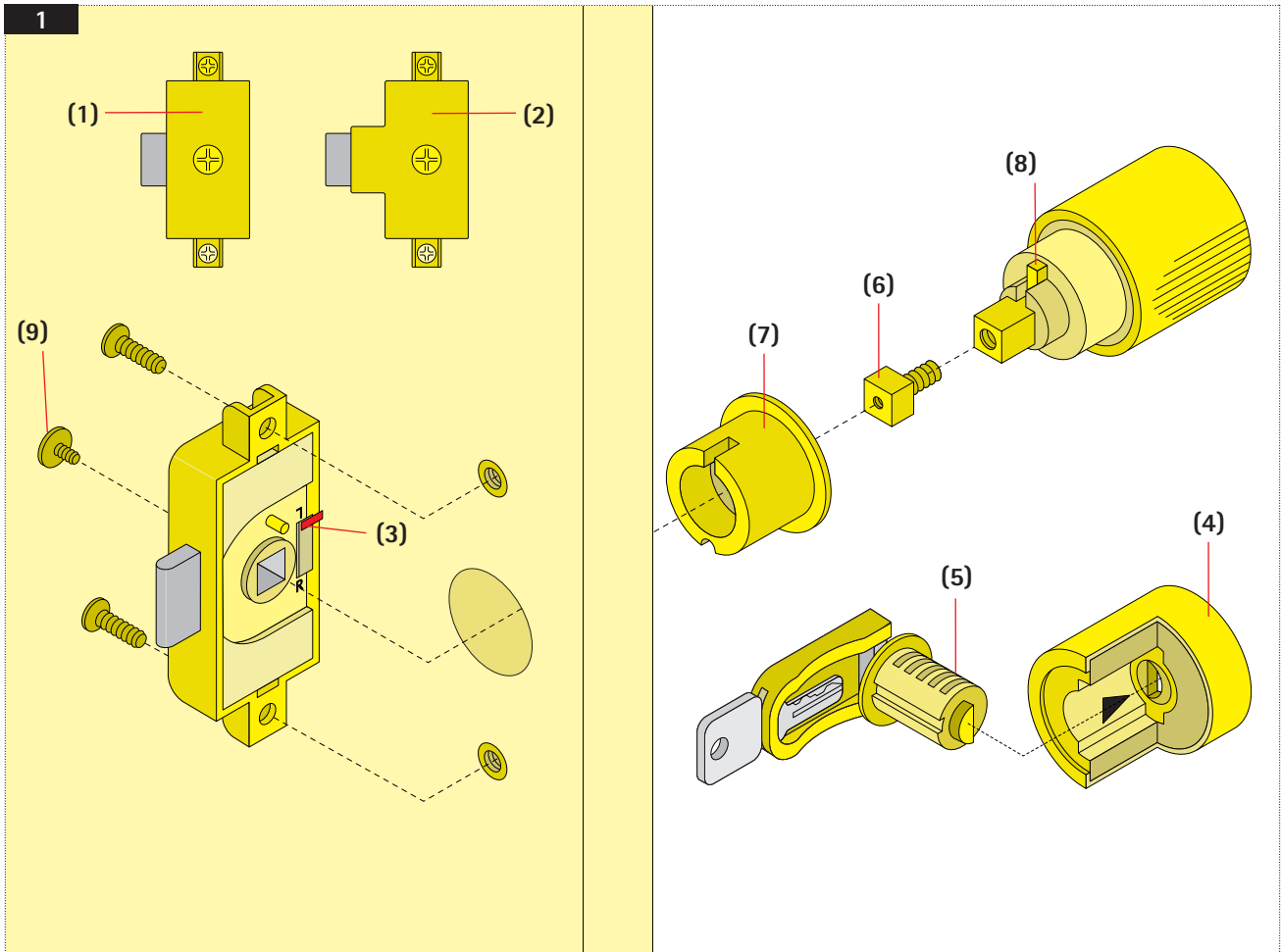
---

**Caution!** In the case of small doors, damping at just one hinge may be sufficient.

---

**Caution!** Damping is active when the unit is delivered!

---



## 2.11 Bow handles, lock cases, closing olive

### Bow handles

Screw through the predrilled openings from the inside. If the existing lock is equipped with a locking rod, remove this.

### Lock cases

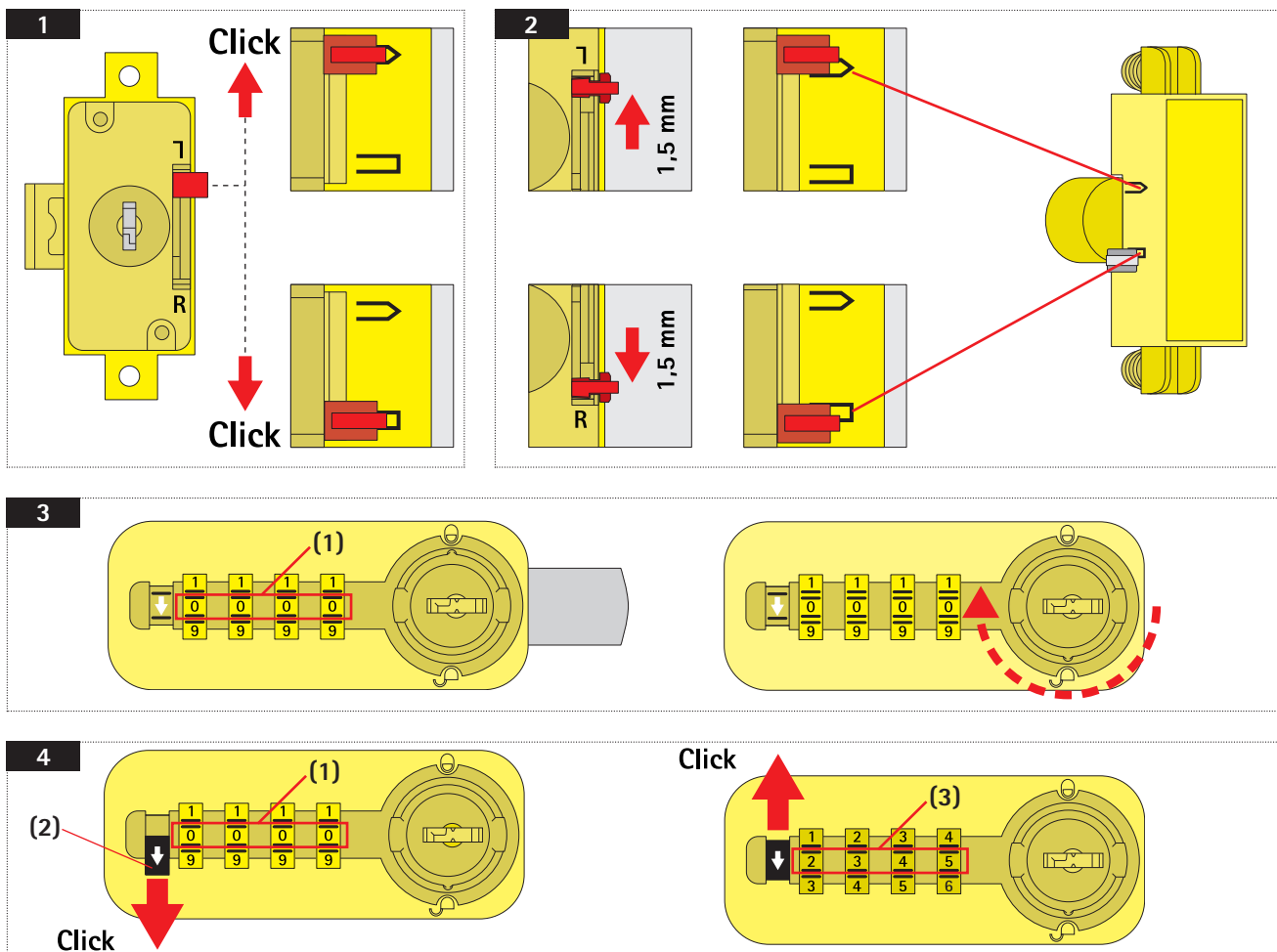
Lock case without center partition **(1)**. With center partition **(2)**. If necessary, the right/left direction of closing **(3)** can be changed.

### Installing the closing olive in the lock case [Figure 1]

Insert the securing sleeve **(7)** with the square cut-out pointing upwards into the door drill hole (the lock case pin must fit into the cut-out!). Screw the square spacer **(6)** into the closing olive; insert the closing olive in the securing sleeve (the lock must be closed and the lug of the closing olive must point upwards). On the inside, the square spacer should protrude slightly beyond the lock case (remove again and adjust if necessary). Screw in the securing screw **(9)**.

**Caution!** Note that there is a left-hand and a right-hand cylinder! The lug **(8)** of the left-hand closing olive is copper-colored, that of the right-hand olive aluminum-colored.

Insert the inner cylinder **(5)** in the closing olive **(4)**.



## 2.12 Adjusting the lock

Adjusting the locking direction [Figure 1].

Adjusting the key blocking mechanism [Figure 2].

## 2.13 Combination locks

Combination locks are opened without the need for a key using a 4-digit code.

In the case of combination locks with a **fixed code** the freely definable code is entered by the user once to open the unit and this setting is then retained. In the event of a change of user, the fixed code can be reprogrammed. Combination locks with **free codes** allow different users to lock the cabinet securely. A personal code must be entered again every time the cabinet is opened and closed. The automatic clearance of the code and resetting of the digits to zero increases security.

### 2.13.1 Combination locks with fixed code

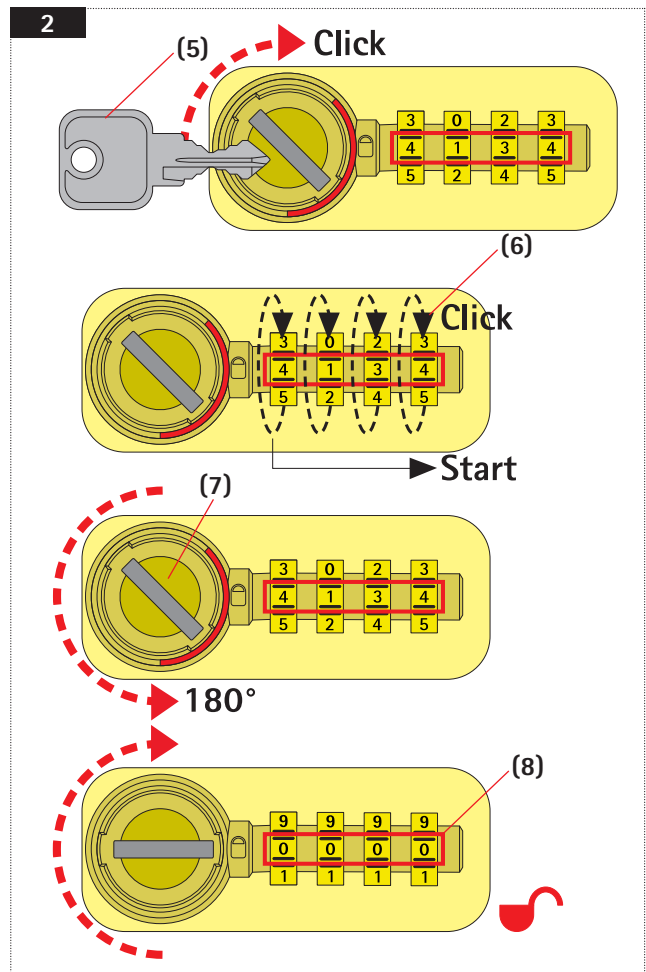
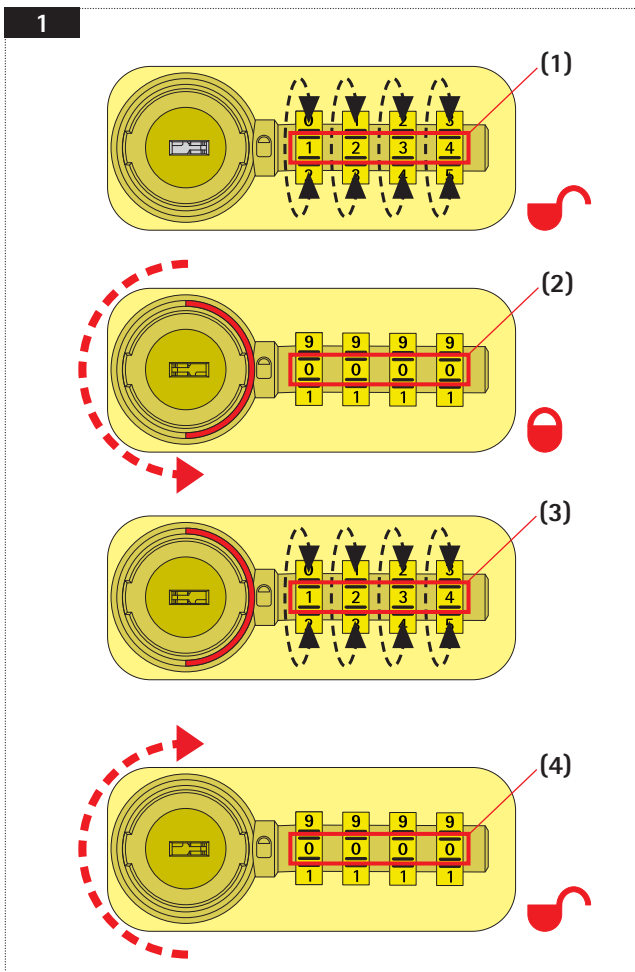
#### Opening the combination lock [Figure 3]

Werkscod 0000 (1) oder den eingestellten Code wählen. Schloss öffnen durch Rechtsdrehen. Die Zahlenräder stellen sich auf 0000 zurück (Verwischtechnik).

#### Changing the code [Figure 4]

Choose the factory-set code 0000 (1) or the defined code. Press the locking bar (2) down until you hear a click. Enter the new code (3) Press the locking bar up until you hear a click. The new code is stored.

**Caution!** The customer must be given the manufacturer's operating instructions.



### 2.13.2 Combination locks with free code

#### Closing and opening the combination lock [Figure 1]

Thanks to the code clearance technology, all the digits display "0" when the cabinet is open.

Set your personal code (1) and close the lock by turning it to the left. This automatically clears the code (2).

To open the cabinet, enter your defined code (3) and unlock by turning the lock to the right.

The code is cleared again and all the digits display zero (4). The lock is now ready to be used again.

**Caution!** The customer must be given the manufacturer's operating instructions.

#### Emergency opening with code reset [Figure 2]

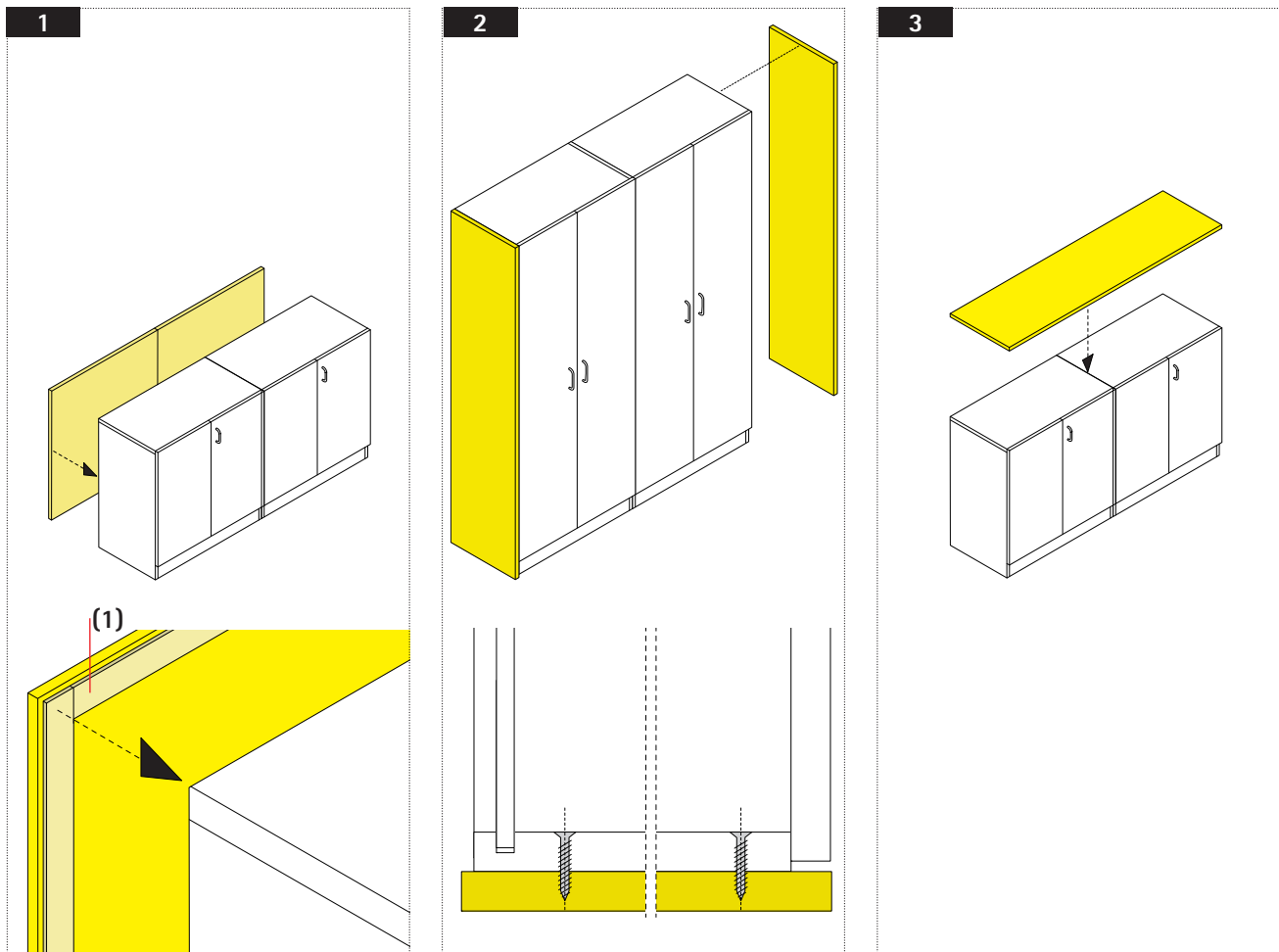
**Important!** You can obtain the emergency key from the building's administrative office.

Insert the emergency key (5) in the lock and turn it to the right until you hear a click.

Starting from the lock mechanism end, turn the digit wheels (6) until you hear a click.

Then turn the emergency key 180° to the left (7), and unlock by turning the lock to the right. Remove the emergency key. The programmed code is deleted and the digits are set to zero (8). The lock can now be used again normally.

**Caution!** Note that the top covers have different depths!



### 3. Attachments and accessories.

#### 3.1 Attaching the finished back [Figure 1]

The finished back is secured with pre-applied, double-sided adhesive tape (1) Remove the protective film, clean the edge and mount the finished back so that it is flush with the top panel at the sides and top.

#### 3.2 Attaching the side covers [Figure 2]

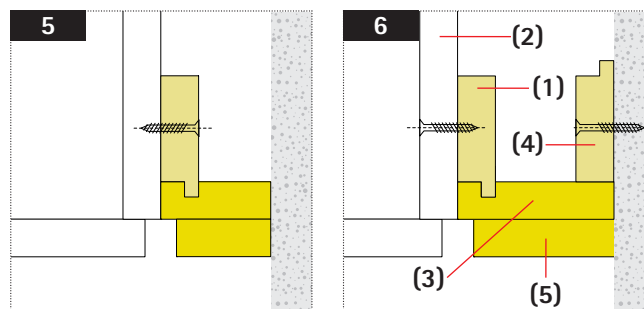
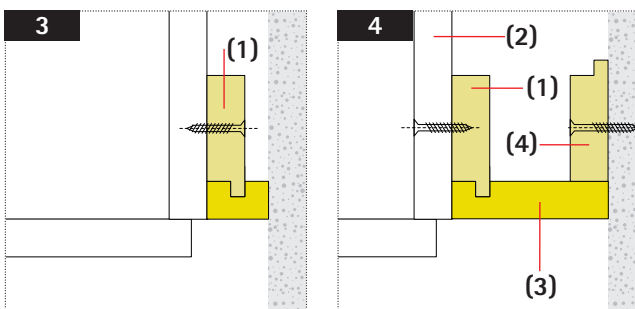
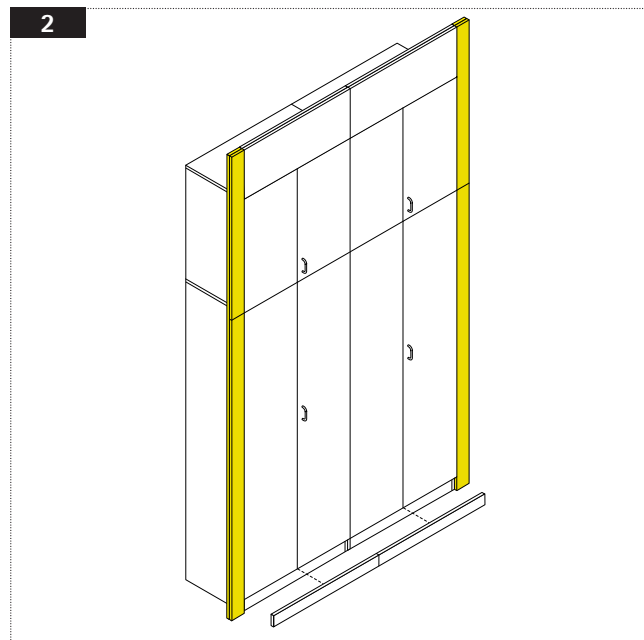
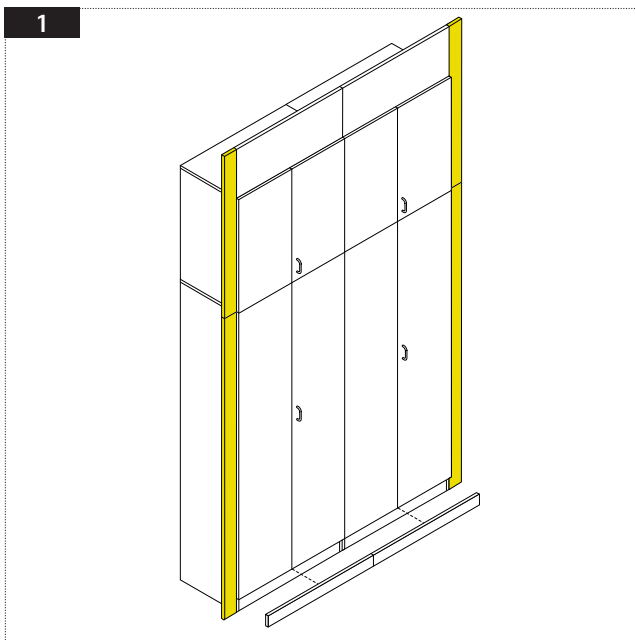
Align the side cover so that it is flush at the front and vertically flush with the top cover and secure in place with C-clamps. Use a 4 mm drill bit to pre-drill holes from the inside at a depth of approximately 12 mm centered between the row of holes and the front edge of the body. Screw tight using 4.5x35 mm Spax screws. (Number as when connecting bodies) Place caps (if present) on the screws. Remove the C-clamps.

#### 3.3 Mount the top cover [Figure 3]

**Important!** Cabinets with steel base: Side cover may also only be the height of the body.

Apply the top cover so that it is flush at the front and secure in place with C-clamps. Use a 4 mm drill bit to pre-drill holes from the inside at a depth of approximately 12 mm and approximately 30 mm from the edge. Screw tight using 4.5x35 mm Spax screws. Depending on width of body: 2-3 screws at the front and 2 at the back. Remove the C-clamps.

**Caution!** Note that the top covers have different depths!



## 4. Wall and ceiling closure.

### 4.1 Wall closure flush with body

Cover width 30 to 199 mm [Figure 1+3]  
 Cover width 200 to 400 mm [Figure 1+4]

Secure fixing strip (1) externally (2) to the cabinet using 4.5 x 35 mm Spax screws.

Then cut the wall closer panel (3) (groove on rear) to exactly the right size. In the case of covers > 199 mm, an additional wall closer strip (4) is required.

#### Fixing

Apply glue to tongue of the fixing strip or to the groove. Press in cover so that it is flush with the body.

### 4.2 Front-flush wall closure without and with add-on cabinets

Cover width 30 to 199 mm [Figure 2+5]  
 Cover width 200 to 400 mm [Figure 2+6]

Assembly as described in 4.1.

The wall closer panel (3) and front panel (5) are already connected ex works.

---

**Important!** The lower cover must always be continuous.

---

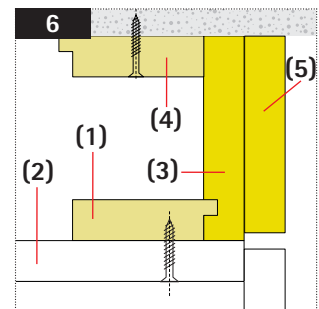
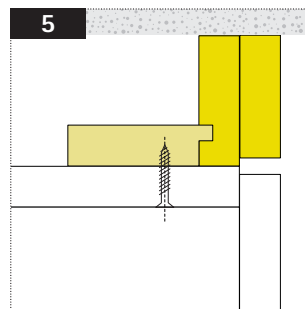
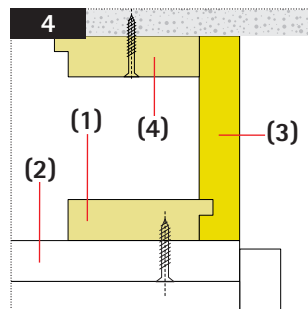
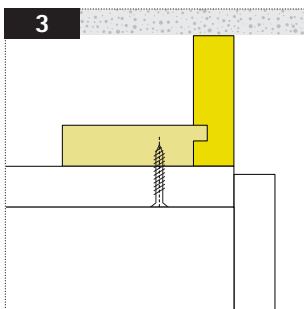
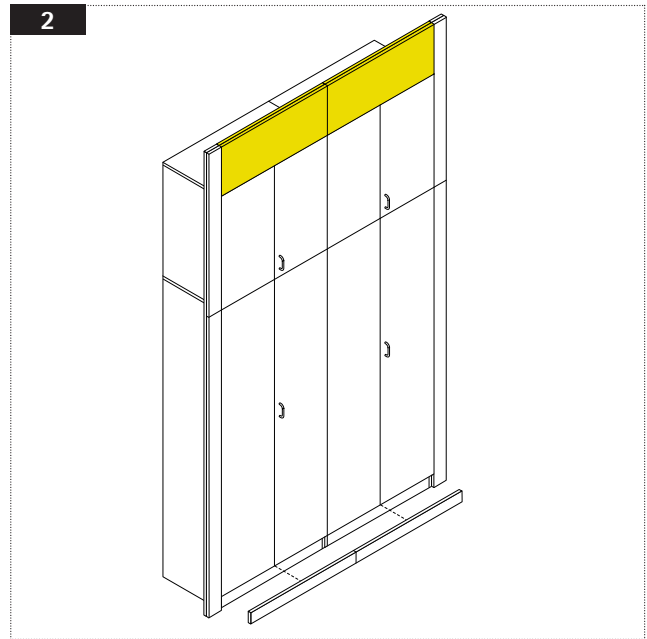
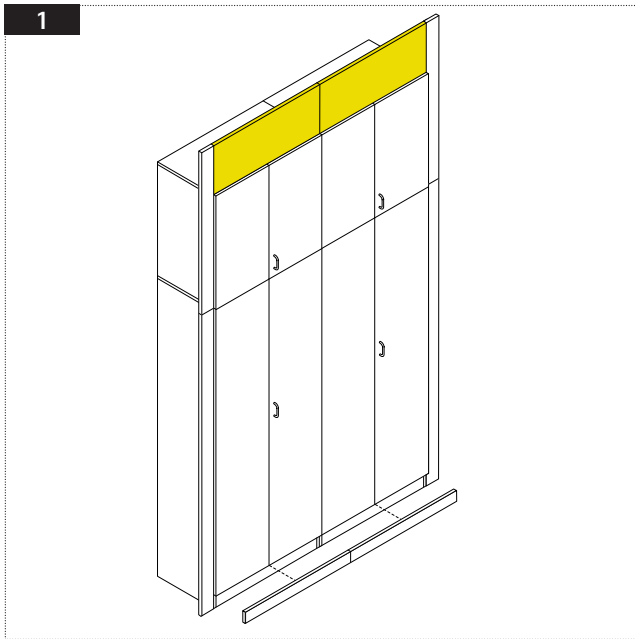


---

**Important!** Upper covers are always the width of the cabinet.

---





### 4.3 Ceiling closure without joins – flush with body

Cover height 30 to 199 mm [Figure 1+3]  
 Cover height 200 to 400 mm [Figure 1+4]

Fix strip (1) to the top of the cabinet (2) using 4.5x35 mm Spax screws. Cut the ceiling closer panel with grooved side on the rear (3) to the correct size. Apply glue to the tongue of the fixing strip and press in so that it is flush with the body.

If width > 199 mm a further connecting strip is fixed to the ceiling.

Then cut the wall closer panel (3) (groove on rear) to exactly the right size. In the case of covers > 199 mm, an additional wall closer strip (4) is required.

Then apply glue to the tongue of the fixing strip and press in so that it is flush with the body.

---

**Important!**  
 Cover height > 400 mm: see section 4.5

---

### 4.4 Front-flush ceiling closure

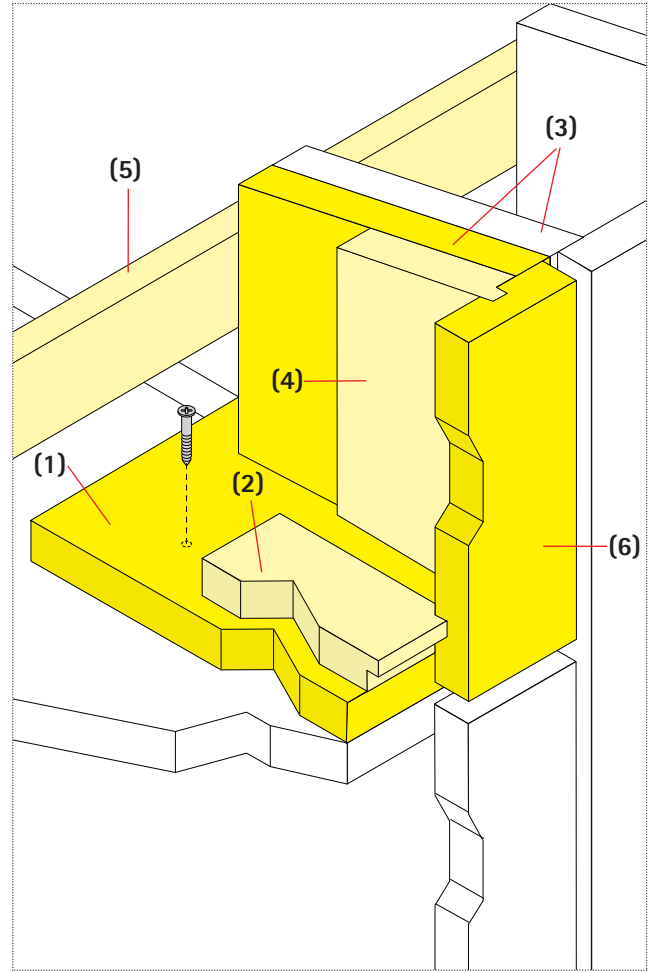
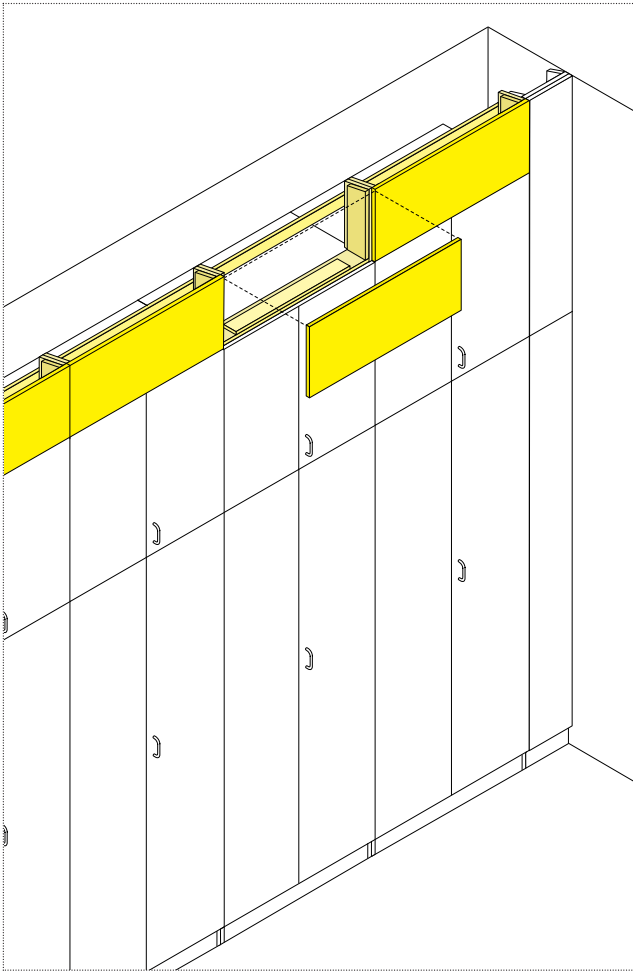
Cover height 30 to 199 mm [Figure 2+5]  
 Cover height 200 to 400 mm [Figure 2+6]

Assembly as described in 4.3.

---

**Important!** The ceiling closer panel (3) and front panel (5) are pre-assembled ex works.

---

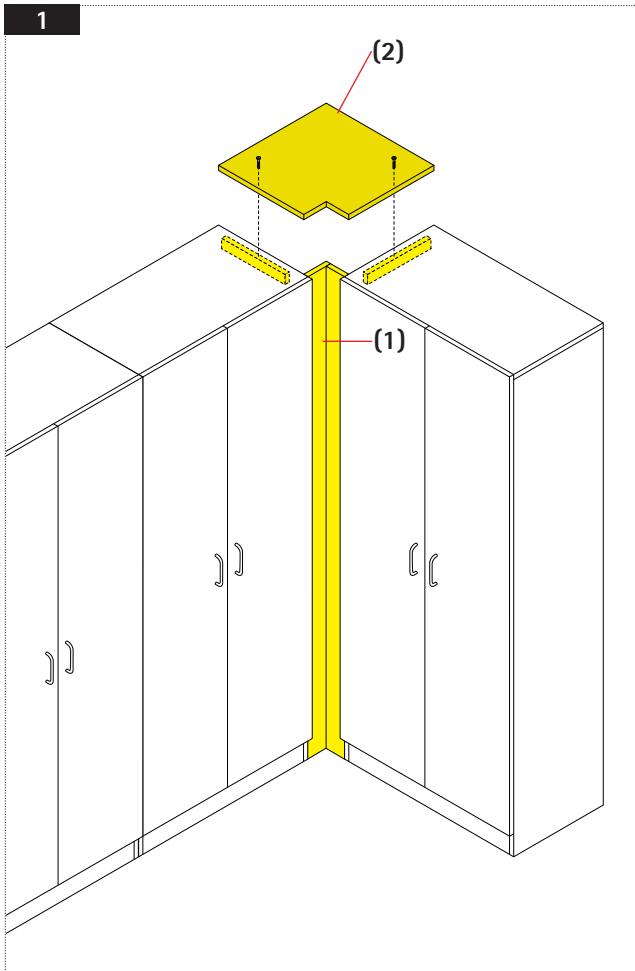


#### 4.5 Front-flush ceiling closure without/with add-on cabinets and join >400 mm

The following elements are pre-assembled ex works:

- Body edge strip (1)
- Fixing strip (2)
- Cabinet side extension (3)
- Vertical fixing strip (right-hand side only) (4)
- and strut on right (5)

Fix pre-assembled ceiling closer element to the top of the cabinet using 4.5 x 35 mm Spax screws. Then apply dots of glue or silicon to the groove of the ceiling closer panel (6) and press in the ceiling closer panel (6) so that it is flush at the front.



## 5. Corner top and corner strip.

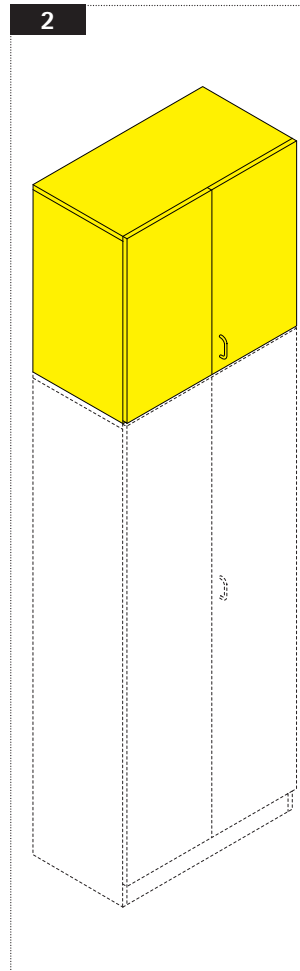
### Corner strip [Figure 1]

Screw on corner strips (1) using 4 x 50 mm Spax screws.

See also 2.3 Connecting bodies. Observe the required grid dimensions depending on the body height.

### Corner top (2)

Fasten fixing strips to the outer sides set back by the thickness of the plate. From above, screw the corner top to the fixing strips using one screw for each.



## 6. Cabinet wall with add-on cabinets.

### 6.1 Shelf and swing door add-ons

Place the add-on cabinets on the cabinets already in position. Align the bodies correctly [Figure 2].

Use C-clamps to secure the top cover to the base plate of the add-on cabinets.

**Caution!** Protect the sides of the cabinet because of the risk of scratches due to the C-clamps.

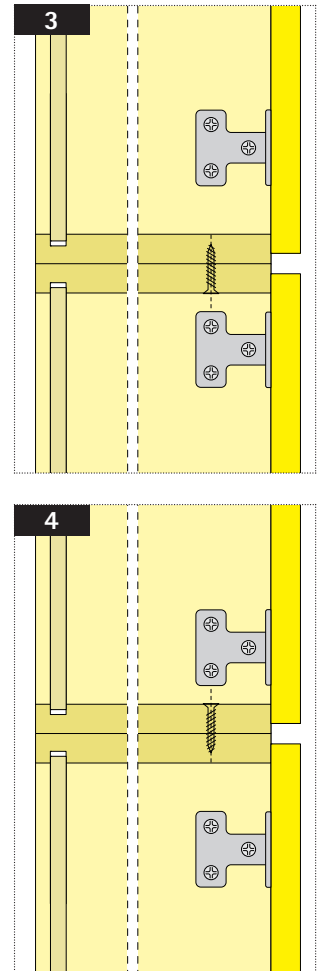
Use a 4 mm drill bit to pre-drill holes in the add-on cabinet at a depth of approximately 12 mm and approximately 3 cm from the front edge of the body and approximately 3 cm from the back panel. Screw tight using 4.5 x 35 mm Spax screws.

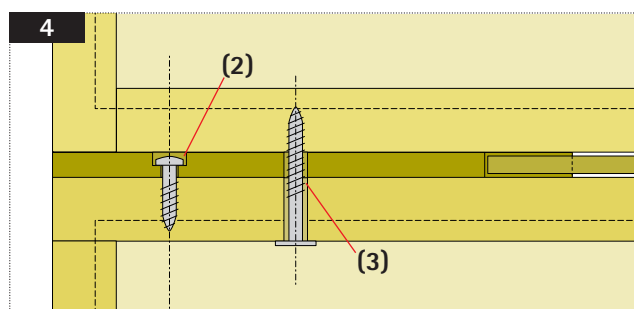
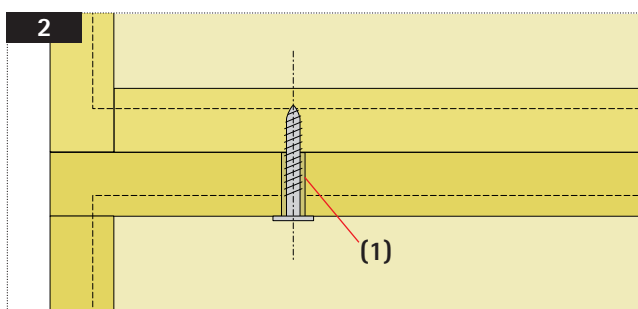
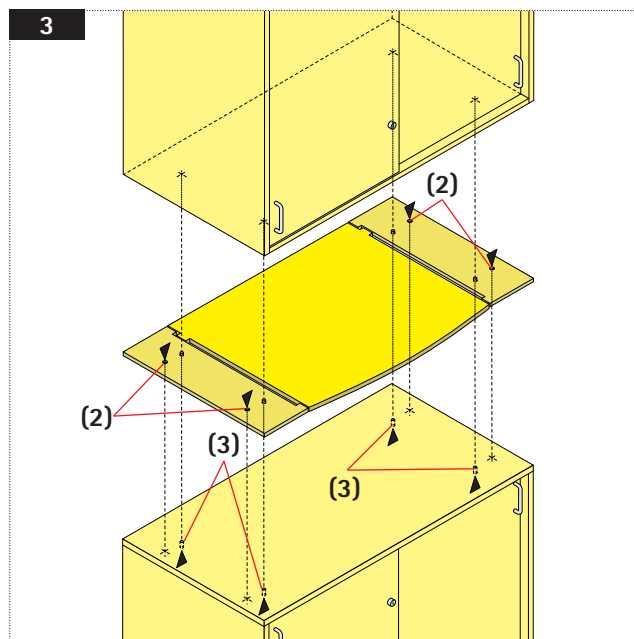
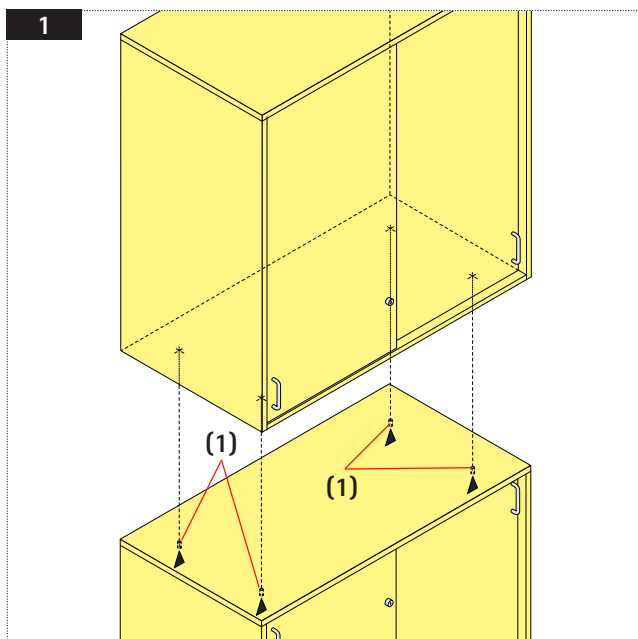
**Caution!** At least 5 screws per body (3 at the front and 2 at the back). Up to 3 HU [Figure 3], insert the screw from below and as of 4 HU [Figure 4], insert it from above.

Then remove the C-clamps.



**Important!** Always first connect the add-on unit with the cabinet and only then connect the elements at the side.





## 6.2 Cabinet walls with sliding door and add-on horizontal roller shutter

### Without pull-out drawer [Figures 1 and 2]:

Align the add-on cabinet correctly on the lower cabinet. From below, screw to the add-on unit through all the pre-drilled holes (1) in the top shelf of the lower cabinet (PH euro screw  $\varnothing$  6.3 x 30 mm).

**Caution!** Use the supplied screws to join the items.

**Important!** Always first connect the add-on unit with the cabinet and only then connect the elements at the side.

### With pull-out drawer [Figures 3 and 4]:

Align the lower cabinet and guides correctly with the pull-out drawer placed on them.

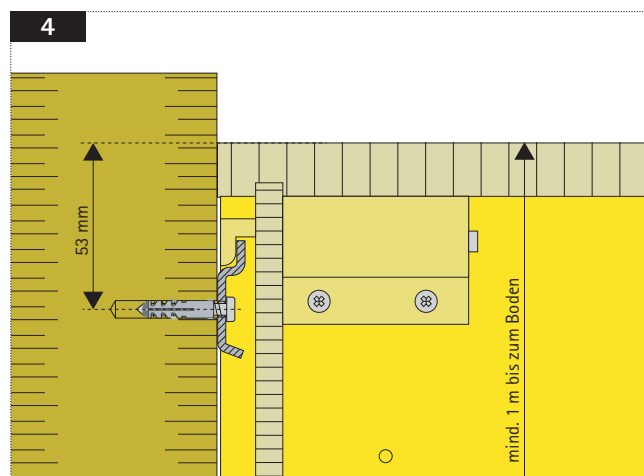
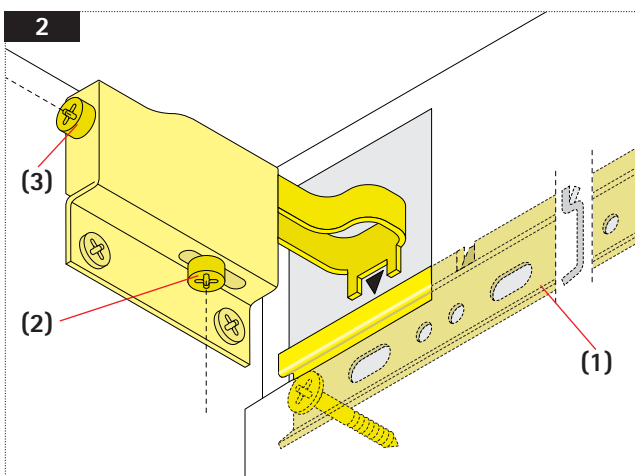
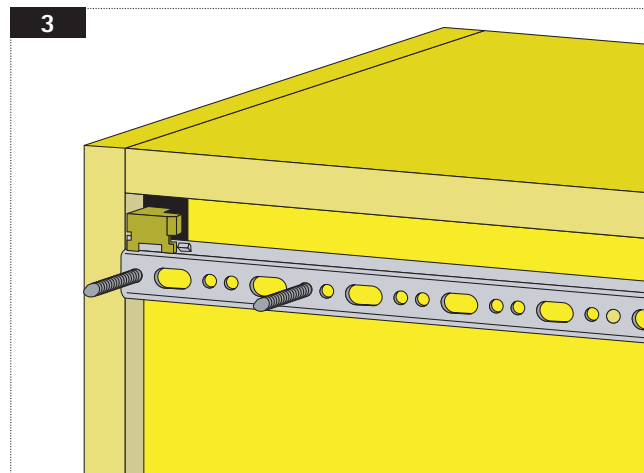
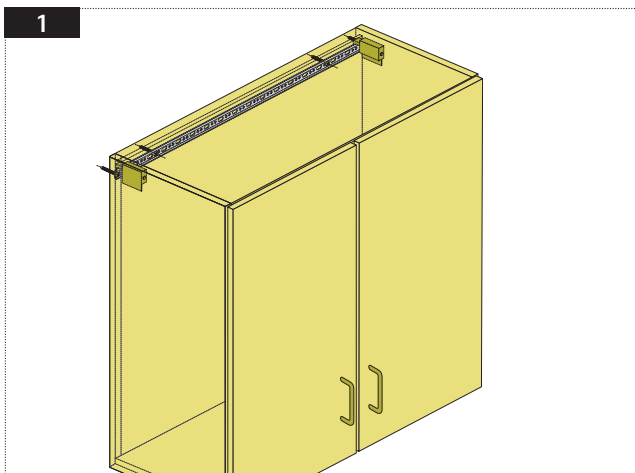
Screw the guides to the lower cabinet through the stepped hole (2) (spax 4.5 x 20 mm).

Align the add-on cabinet correctly on the lower cabinet with the screwed-on guides and positioned pull-out drawer.

From below, screw to the add-on unit through all the pre-drilled holes (3) in the top shelf of the lower cabinet and the guides (screw  $\varnothing$  7 x 38 mm).

**Caution!** Use the supplied screws to join the items.

**Important!** Always first connect the add-on unit with the cabinet and only then connect the elements at the side.



## 7. Suspended cabinets.

Wall mounting with the double suspension rail [Figure 1].

### Step 1

Fasten the double suspension rail (1) to the wall. In the case of lightweight walls, screw the double suspension rail into the stand, possibly use a load compensation plate.

### Screw position Left / Right [Figure 3].

Screw the first screw between the distal edge and the outer edge. Fasten the second screw approximately 8 cm from the first screw.

**Important!** No relining allowed!  
The rail must lie completely against the wall!

### Step 2

Suspend the cabinet.

### Step 3

Level the cabinet and adjust the cabinet to the correct position using a cross-head screwdriver.

### Height adjustment (2).

### Depth adjustment (3).

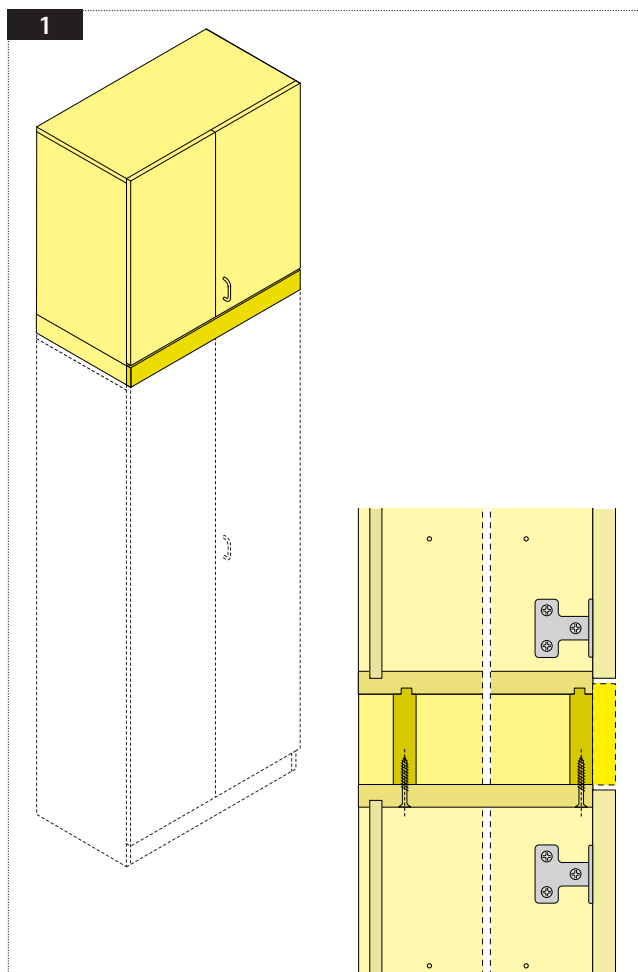
**Caution!** When fixing to a lightweight partition wall, make sure that the load is distributed correctly – if in doubt, contact the manufacturer!

Before installation, there is a need to check the suitability of the wall construction and to check that the fasteners are able to withstand the forces that occur. If the supplied universal set does not match the nature of the wall, appropriate screws and fittings must be obtained from specialist dealers to ensure safety.

Assembly or disassembly may only be carried out by trained specialist personnel, since there is a risk of serious accidents if the assembly is not carried out correctly. VS Vereinigte Spezialmöbelfabriken GmbH & Co.KG assumes no liability for incorrect or improper installation and operation.

**Caution!**  
Always hang cupboards above 1m (top shelf)!

**Important!** Make sure that the screw heads are not slip through the holes in the suspension rail!



## 8. Cabinet wall with base/add-on cabinets [Figure 1].

### Step 1

Position the add-on cabinets with base on the cabinets.

### Step 2

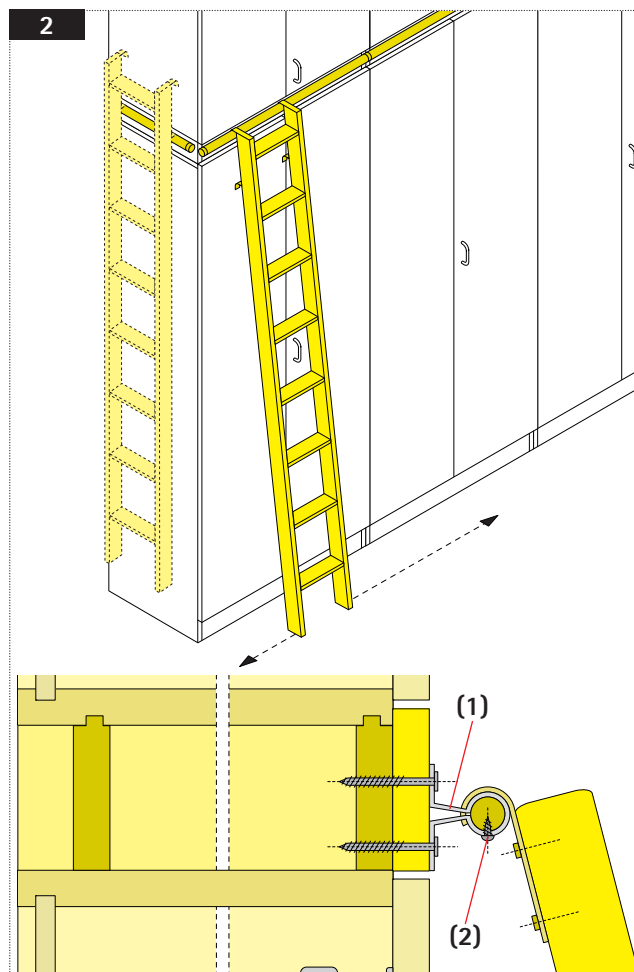
Align the bodies to be flush at the sides and front.

### Step 3

Screw up into the base from below using 4.5x50 Spax SK screws. Determine the position for the holes using a drilling template or by measuring.



**Caution!** In the case of cabinet walls, always start by connecting the top and bottom cabinets and only then connect the units at the side.



## 9. Fixing element for cabinet ladder [Figure 2].

Push tube retainer (1) onto the tube.

### Number

End caps + tube retainers for tube length

2 - 500- 800

2 + 1 801-1600

2 + 2 1601-2400

2 + 3 2401-3200

2 + 4 3201-4000

2 + 5 4001-4800

2 + 6 4801-5200

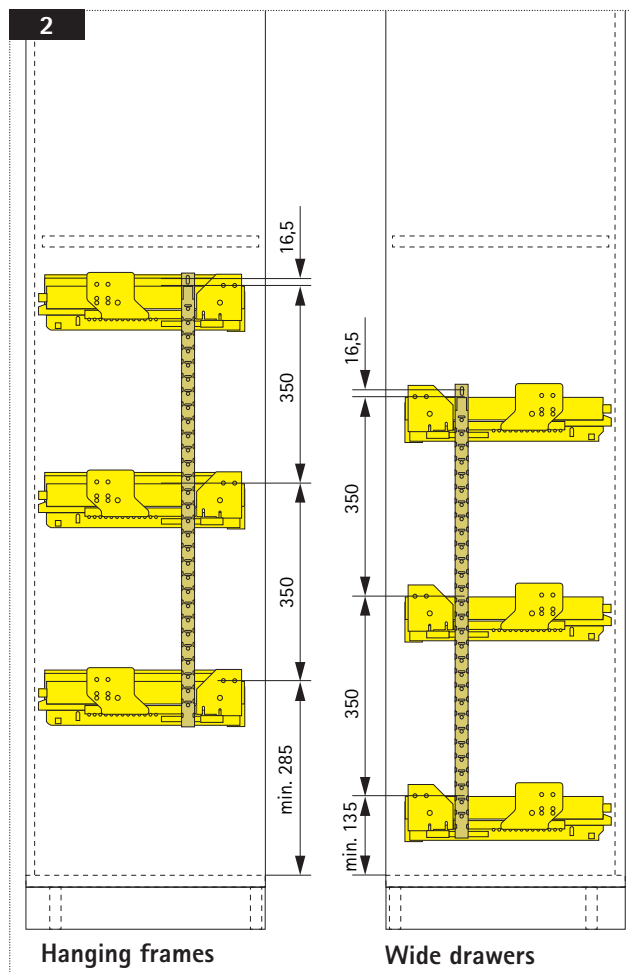
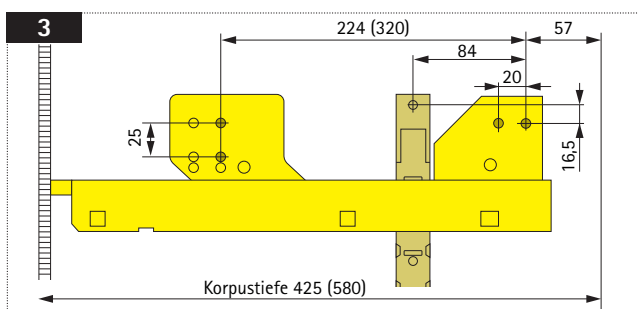
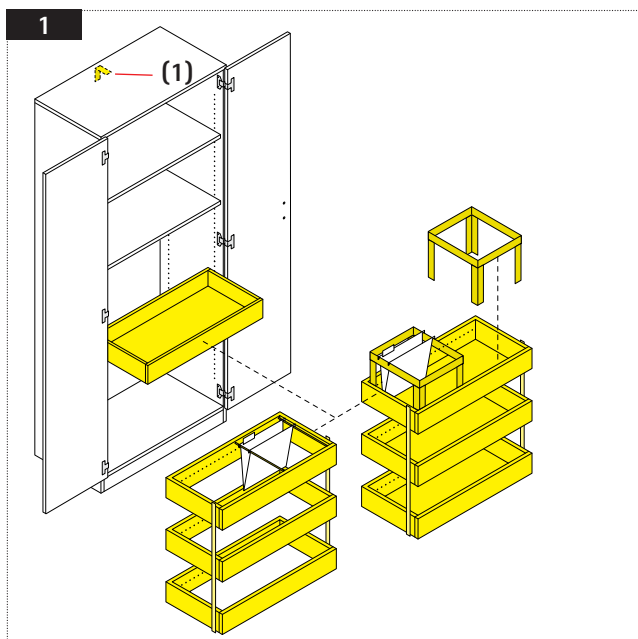
2 + 7 5201-6000

Screw the tube retainers in at uniform distances flush with the bottom of the base panel. Spax PH 4.5x50, maximum distance of tube retainers 795 mm (see drawing no. 48535 sheets 1+2). The tubes (apart from the park element) are secured at the end caps from below with a 4.2 x 16 dia. drilling screw (2).



**Caution!** Maximum tube length of 3 m. Always position any abutment so it is hidden below a tube retainer.

Park element (48536) must be ordered separately, see cabinet ladder fixing elements, drawing No. 48545, Bl. 1+2.



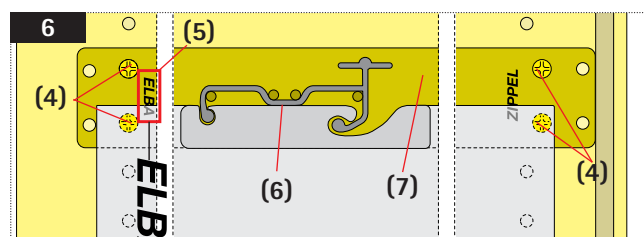
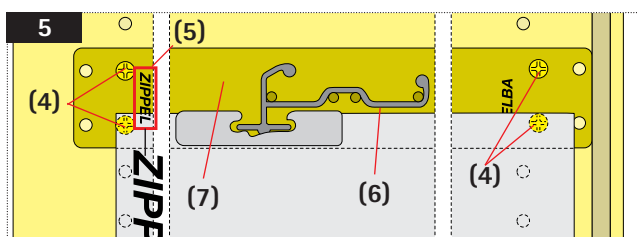
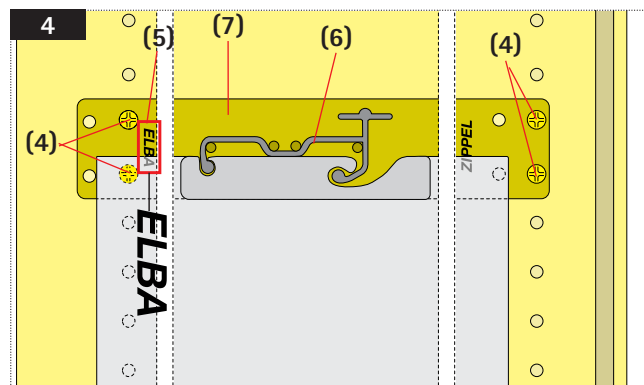
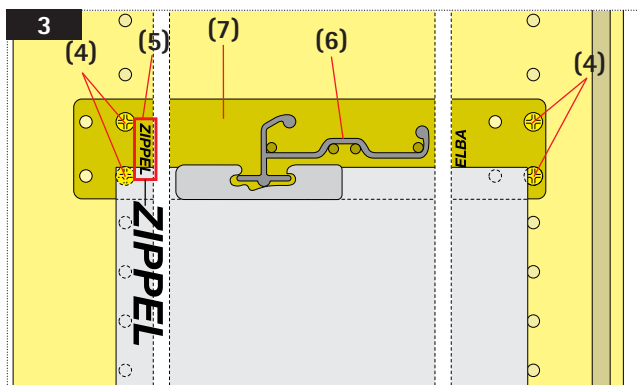
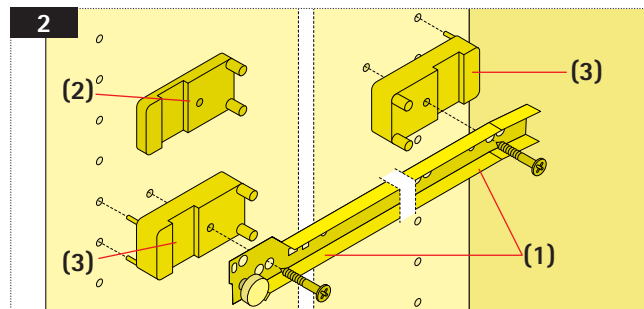
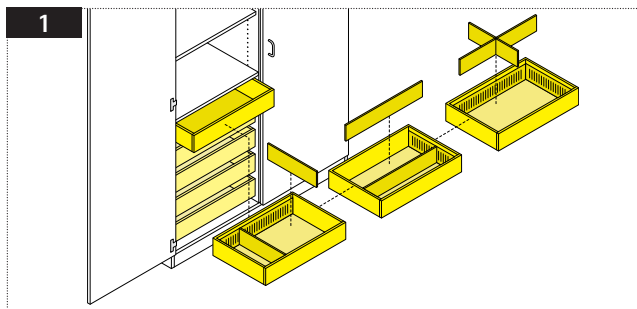
## 10. Fittings.

### 10.1 Hanging frames and wide drawers

See separate assembly instructions (MA) issued by VS, Part no. 70-381 Serie 800 hanging frames and wide drawers.

**Important!** In the case of subsequent installation, take account of the drilling dimensions and/or the customer's wishes [Figure 2].

**Caution!** If pull-outs are installed, always install tilt protection (1) [Figure 1].



## 10.2 Concealed drawers [Figures 1 and 2]

Guide rails (1) are secured in the row of holes using spacers (2), (3).

**Important!** The retaining pins for the guide rail point toward the centre of the cabinet.

### Cabinet with central partition:

Insert the 15 mm support (3) in the row of holes using both dowels. Screw tight using 3.5 x 30 mm Spax screw at all four retaining positions.

### Cabinet without central partition:

Always mount the 15 mm support (3) on the hinge side of the cabinet using a 3.5 x 30 mm Spax screw. Mount the 5.5 mm support (2) opposite using a 3.5 x 20 mm Spax screw.

## 10.3 Suspension rail

### For cabinets with swing doors [Figures 3 and 4]

The screw connection position for all cabinet depths is at the row of holes at the front and back.

**In the case of sliding doors and cabinets with horizontal roller shutters [Figures 5 and 6]** The screw connection position for all cabinet depths is at the row of holes at the front. It is necessary to pre-drill the screw connection position at the back.

**Caution!** The screw connection position depends on the type of door.

The suspension rail (6) is secured using two 4.5 x 16 mm panhead screws at the front and back.

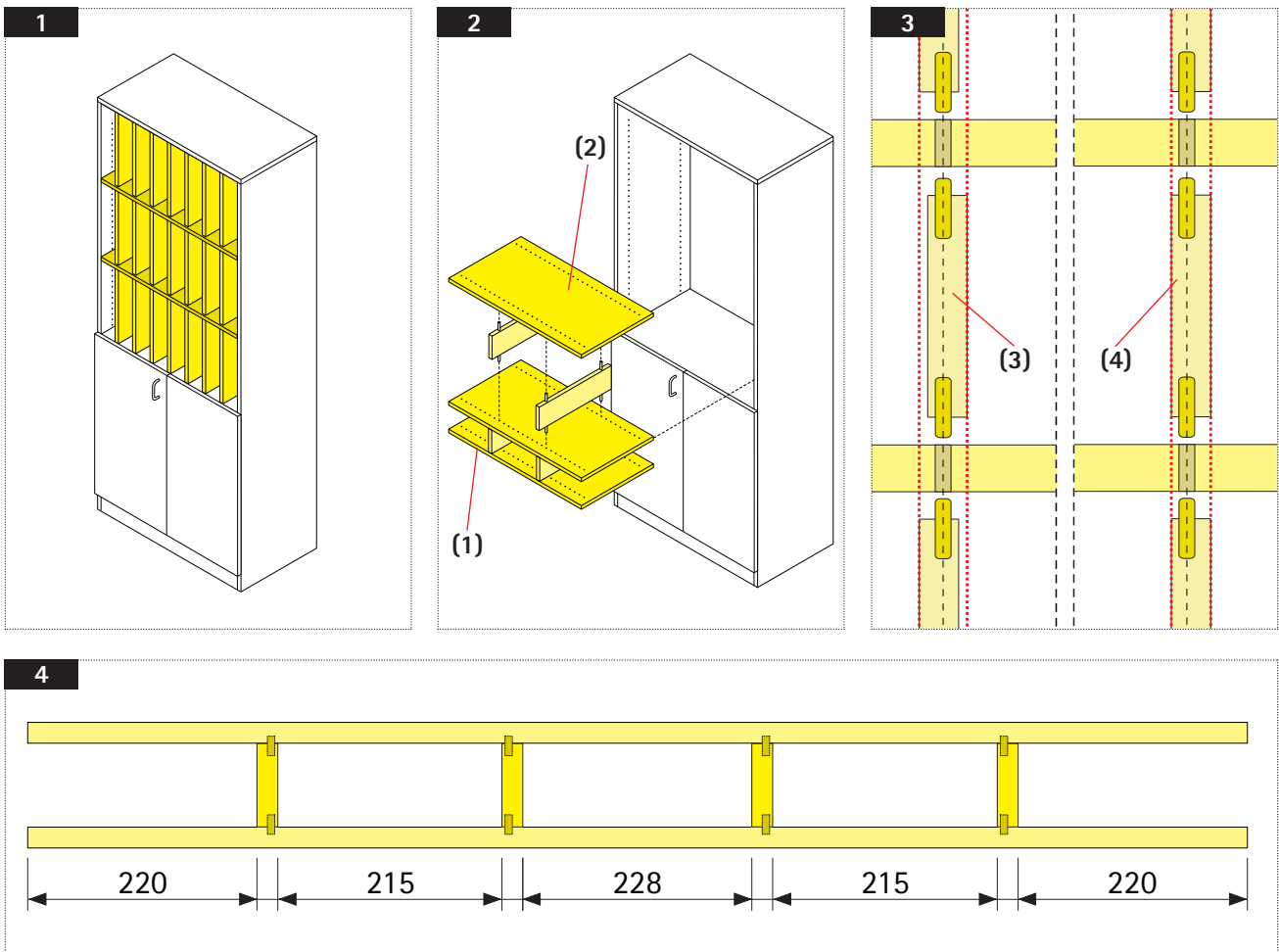
The rail and holder can be used for the various systems: Zippel [Figures 3 and 5] top and Elba [Figures 4 and 6] bottom.

**Important!** Ask the customer which system (Zippel or Seiz/Elba) is required.

Screw on the retaining plates (7) in such a way that the corresponding text can be read from the front (5). The suspension rail (6) must be mounted before the second holder is fastened in position. Then secure using four 4 x 16 mm chip-board screws (4). The standard grid height is 300 mm (other grid heights are also possible depending on the customer's specifications).

**Caution!** If pull-outs are installed, always install tilt protection.





## 11. Compartments and special shelves. 11.2 Form compartments [Figure 2]

### 11.1 Mailboxes

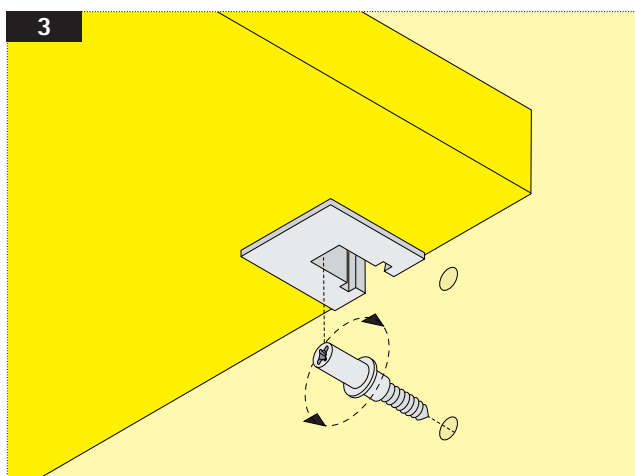
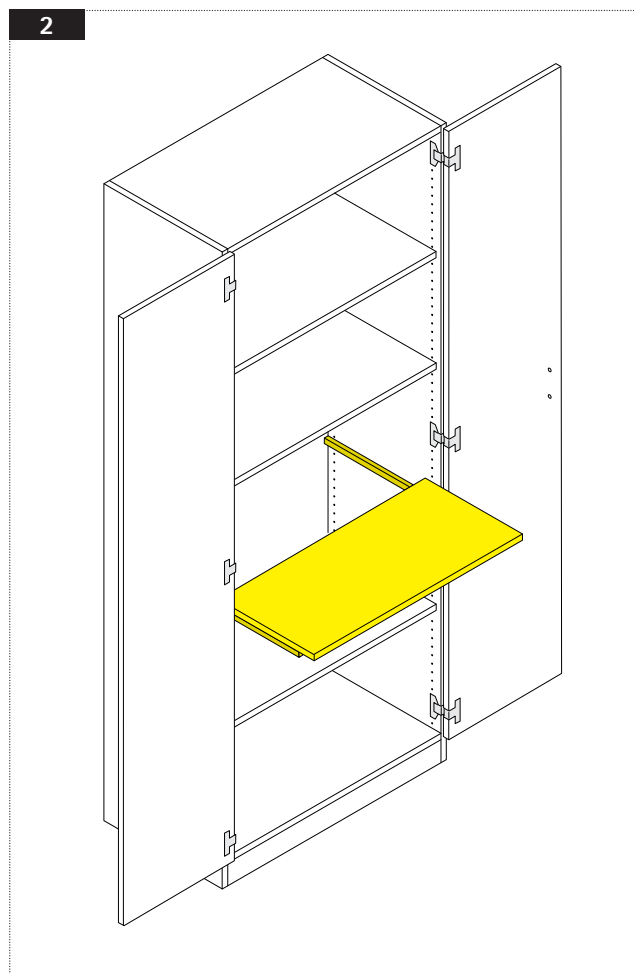
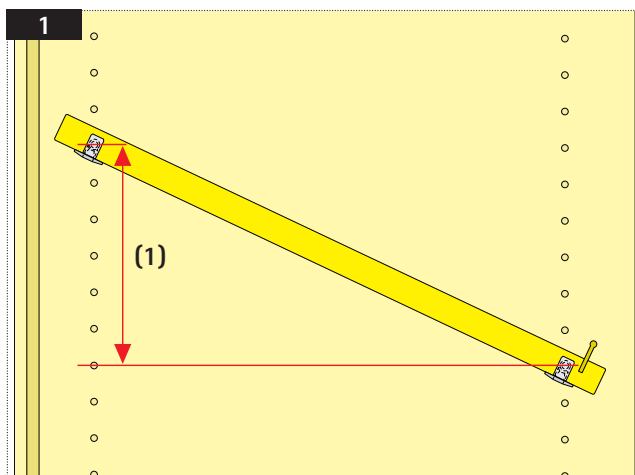
Mailboxes [Figure 1] are assembled ex works.

Install the basic elements with shelf carrier as shown in the drawing (1). Install the add-on element (2) with shelf carrier and tap into position using a rubber hammer if necessary. Affix any other attachments accordingly. The basic and add-on elements are available in two heights (112.5 mm and 81 mm).

**Caution!** Asymmetrical dowel positions may change the clear heights of the compartments.

**Important!** The cabinet width of model 48460 is 120 cm, Observe dowel positions, see [Figure 4].

**Caution!** Do not install the dividers offset (3) but aligned (4), see [Figure 3].



### 11.3 Magazine shelves

The accessories pack always contains threaded shelf carriers [Figure 3].

**Caution!** Magazine shelves are inclined at an angle of approximately 26°.

[Figure 1] Insert the front shelf carriers first. The rear position at cabinet depth 425 (1) = 150 mm, at cabinet depth 580 (1) = 225 mm.

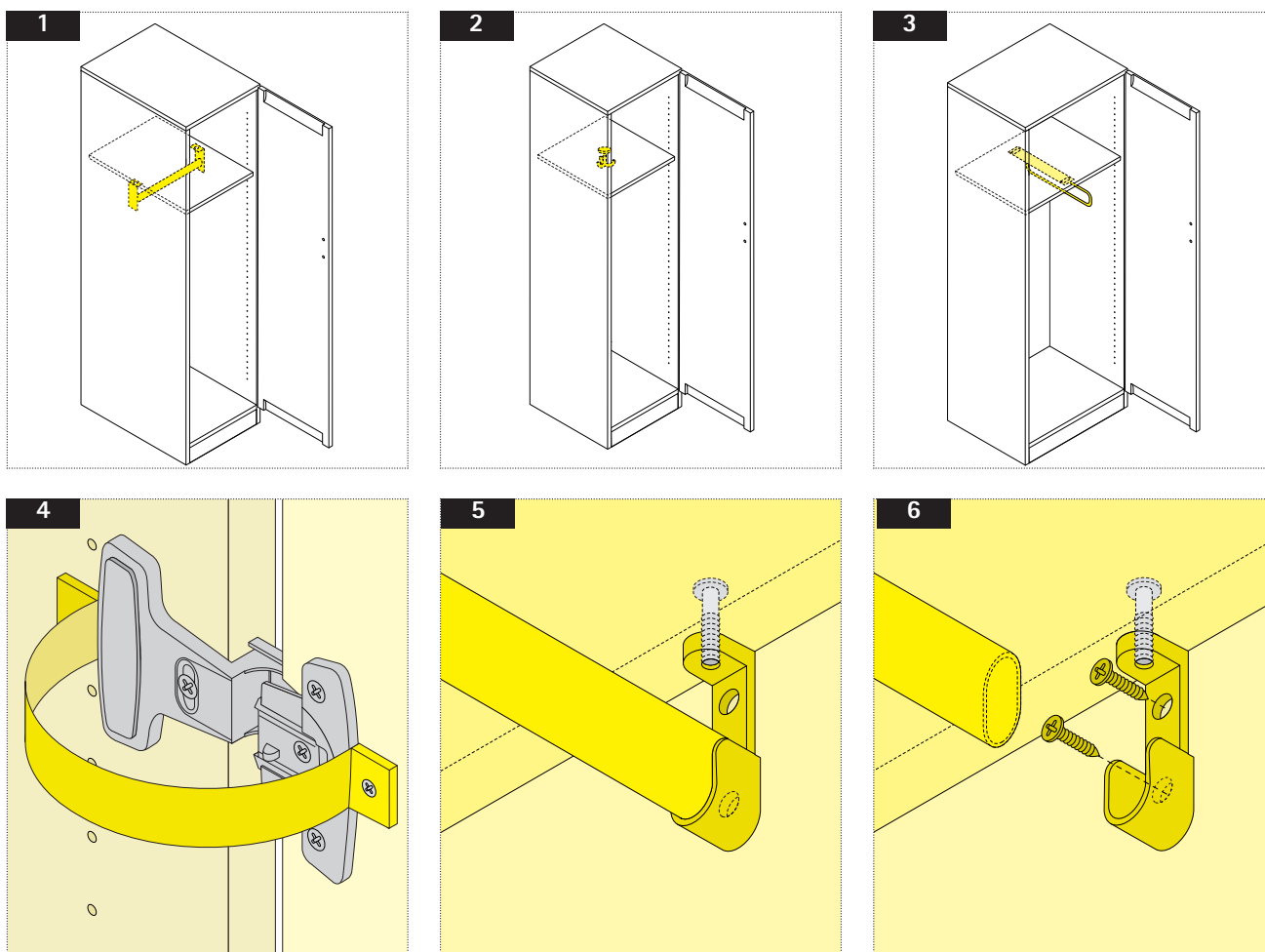
### 11.4 Pull-out shelf inserts

Pull-out shelf inserts with roller guides [Figure 2].

Insert (15 mm or 5.5 mm) the support in the shelf holes in the side of the cabinets. Always insert the 15 mm support on the hinge side of the cabinet.

Fix the guide rail on the supports in the sides of the cabinet using 3.5 x 25 mm or 3.5 x 20 mm Spax screws and insert the pull-out shelf.

**Caution!** Tilt protection must always be installed when pull-out shelf inserts are used.



## 12. Wardrobes.

For installation in Serie 800 swing door and shelving cabinets. No liability will be assumed for any use other than that intended. Approved for use in closed, dry rooms.

Maximum loads:

wardrobe rod	[Figure 1]	_____	50 kg
rotating clothes hook	[Figure 2]	_____	35 kg
pull-out coat-hangers	[Figure 3]	_____	6 kg

Wardrobes are preassembled ex works.

**Caution!** Clothing protection elements [Figure 4] – only required in the case of visible hinges.

If cabinets supplied unassembled, install at the same time (in accessories pack). Already installed in pre-assembled cabinets.

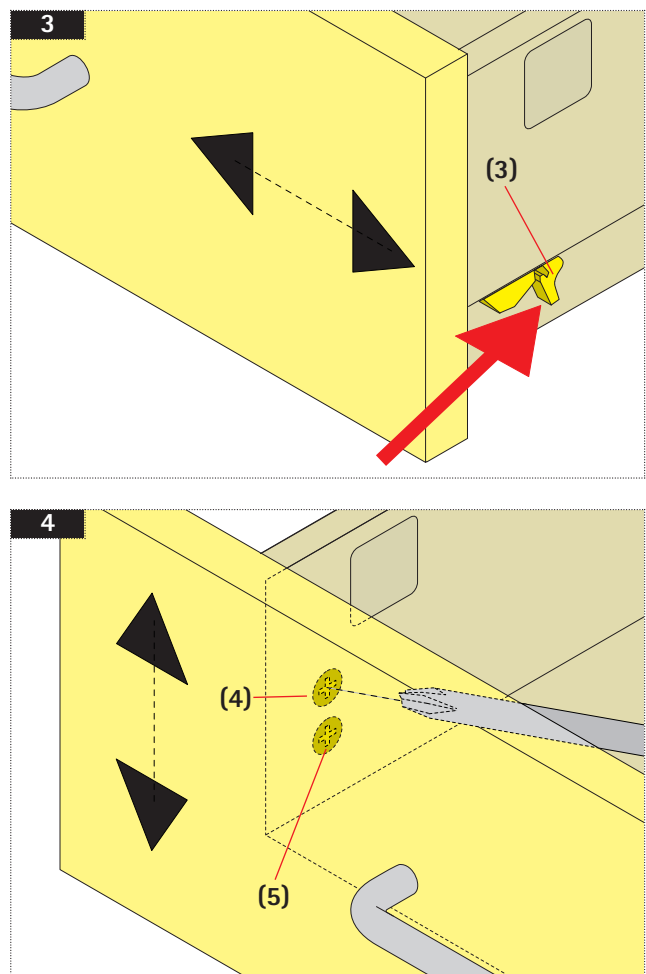
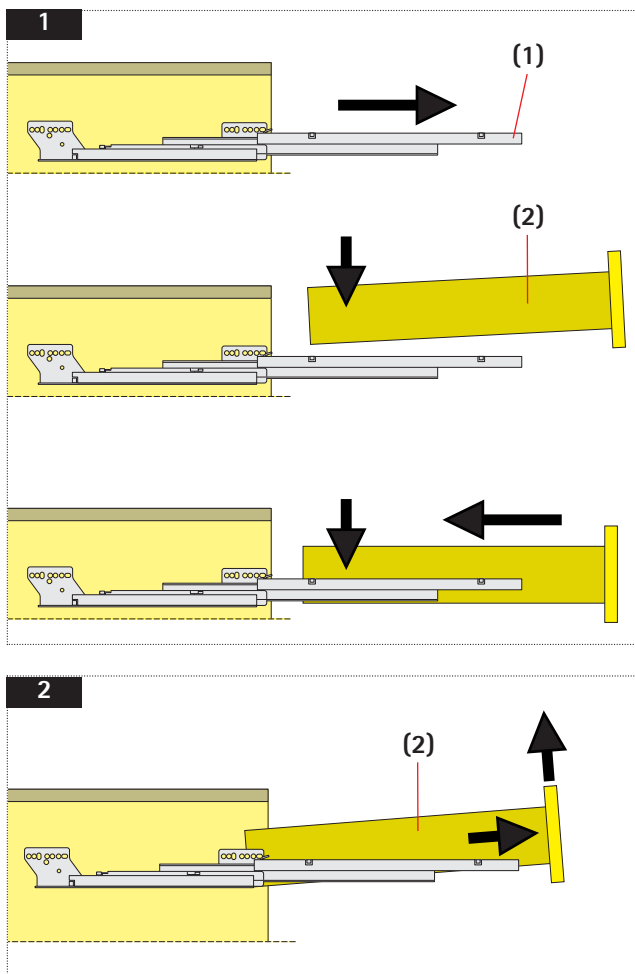
**Caution!** If pull-outs are installed, always install tilt protection.

## Installation or modification:

[Figure 1] and [Figure 5] show the status at the time of delivery or shipment.

- Define the required shelf position and change the shelf position if necessary [Figure 6]
- Remove the coat-hanger
- Use the screws from the accessories pack to screw the retainers to the side of the cabinet (cross-head)
- Insert the coat-hanger again

**Caution!** If the shelf is moved, this results in visible screw holes in the side of the cabinet!



### 13. Other cabinet types.

#### 13.1 Drawer cabinets

Drawer cabinets are usually supplied assembled. The lateral alignment and height of the fronts of the drawer cabinets can be adjusted if required.

##### Assembling the drawers [Figure 1]

Pull out the body rail (1), position the drawer (2) on the body rail at a slight angle and push in until the drawer engages.

##### Disassembling the drawers [Figure 2]

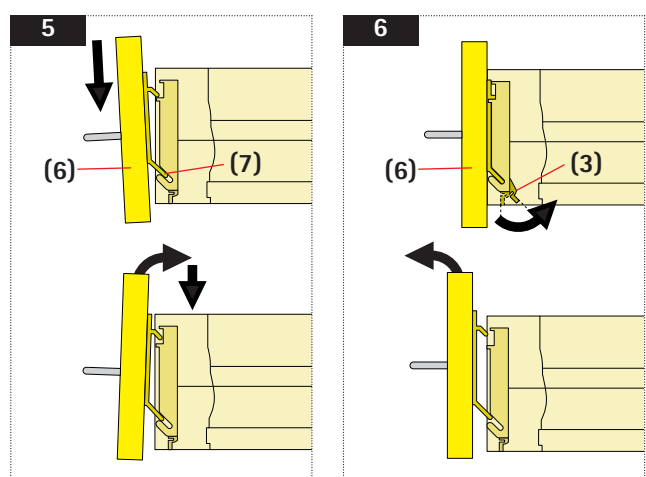
Pull the drawer (2) out completely and lift. Lifting = deactivating the pull-out protection in the open position.

##### Lateral adjustment of the drawer fronts [Figure 3]

Press the left and right catches (3) backwards. Lift the front slightly and push over the corrugated section (adjustment path  $\pm 1.5$  mm). Release the catch.

##### Höhenverstellung der Schubkastenfronten [Figure 4]

Loosen screw (4) slightly. Use the eccentric screw (5) to adjust the front to the required vertical position (adjustment path  $\pm 2$  mm). Tighten screw (4).



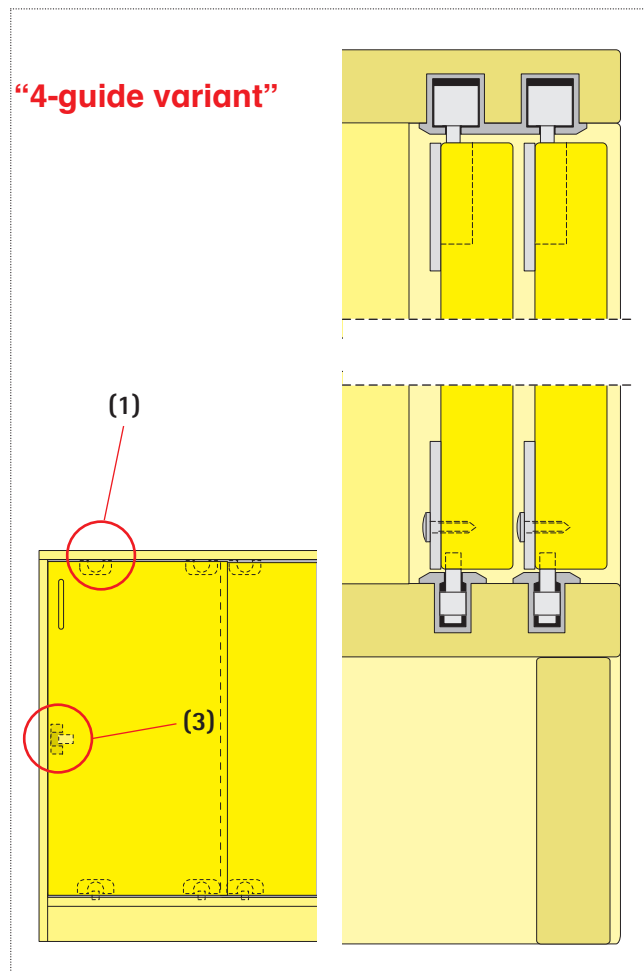
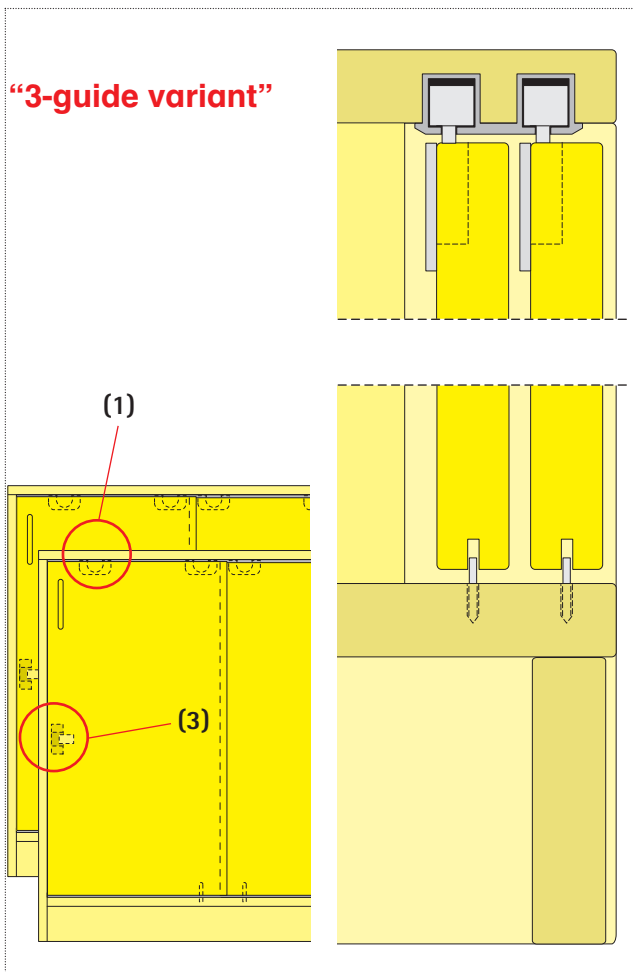
##### Assembling the drawer front [Figure 5]

Insert the front (6) with the mounting hook (7) in the lower, oblique slit (initial positioning ensured by mounting hook). Tilt in the front and press down.

##### Disassembling the drawer front [Figure 6]

Press the catch (3) away from the front (6) and unhook the front.

**Important!** If necessary, consult the separate instructions issued by Grass for the Nova Pro drawer system.



### 13.2 Sliding door cabinets

Sliding door cabinets are usually supplied assembled. Can be adjusted if required: Doors and stoppers.

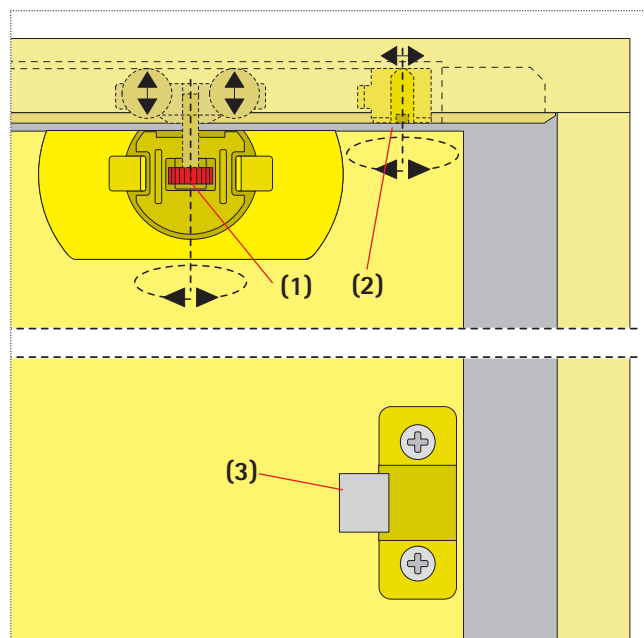
**Important!** If necessary, consult the separate installation instructions issued by EKV.

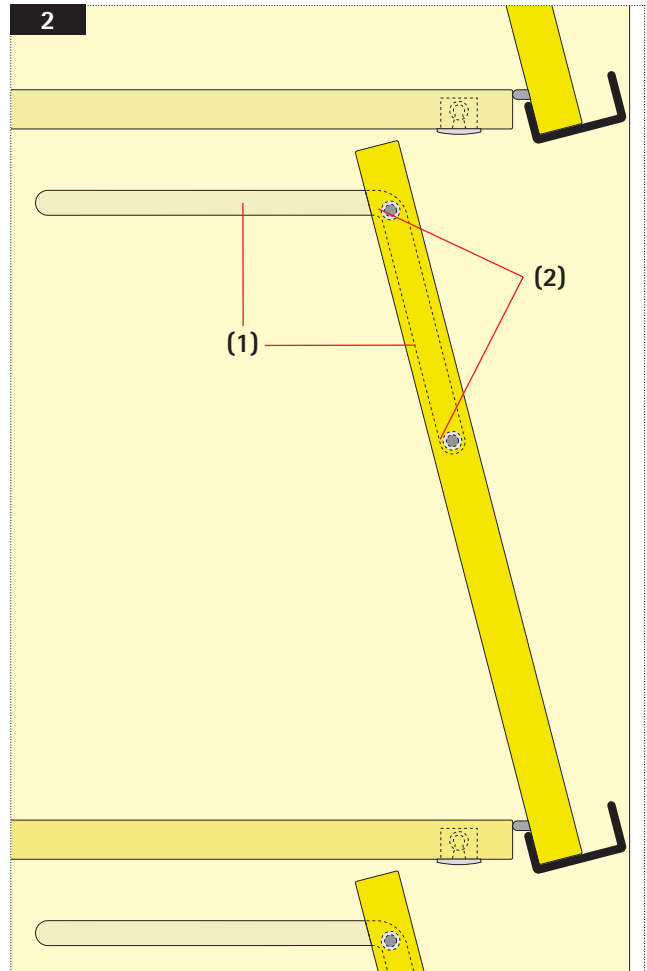
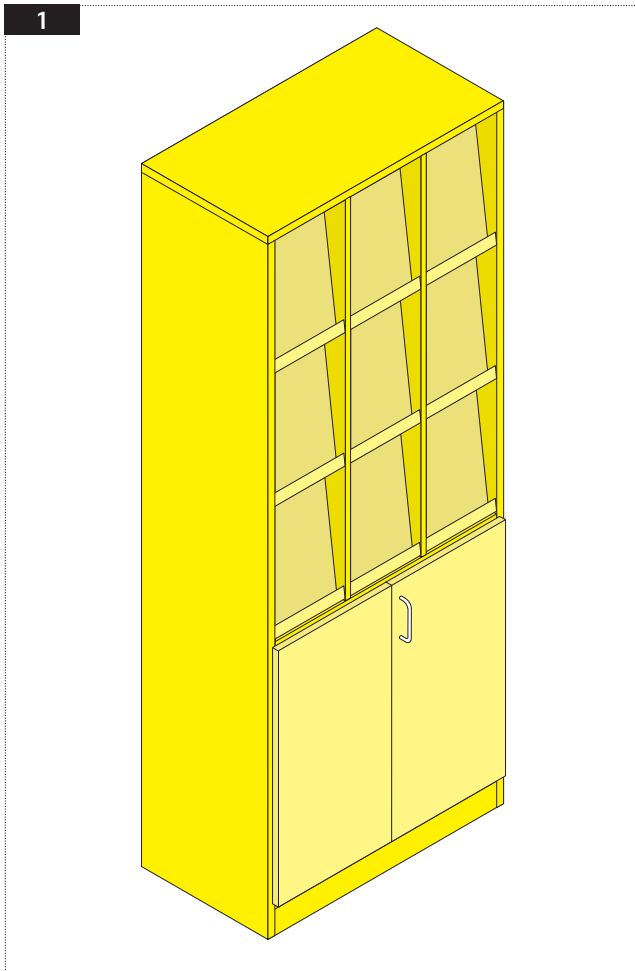
#### Adjust sliding door cabinets in horizontal position.

Rotate the knurled screw **(1)** on the inside of the door so that the door is horizontal or all the door gaps are aligned.

Adjust the door stop **(2)**.

Remove the lug **(3)** before removing the door.

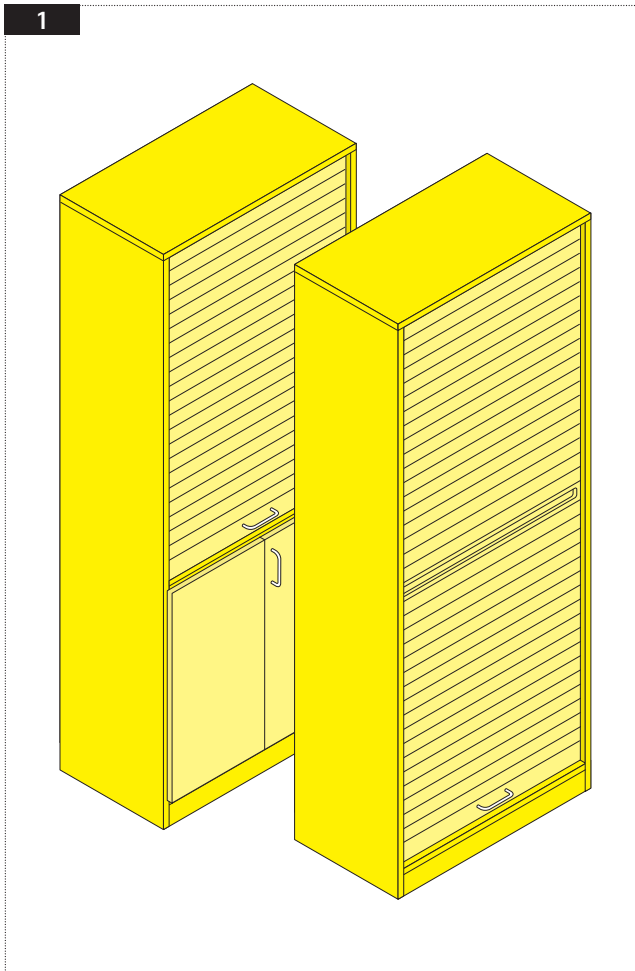




### 13.3 Magazine cabinet

Magazine cabinets [Figure 1] are usually supplied assembled.

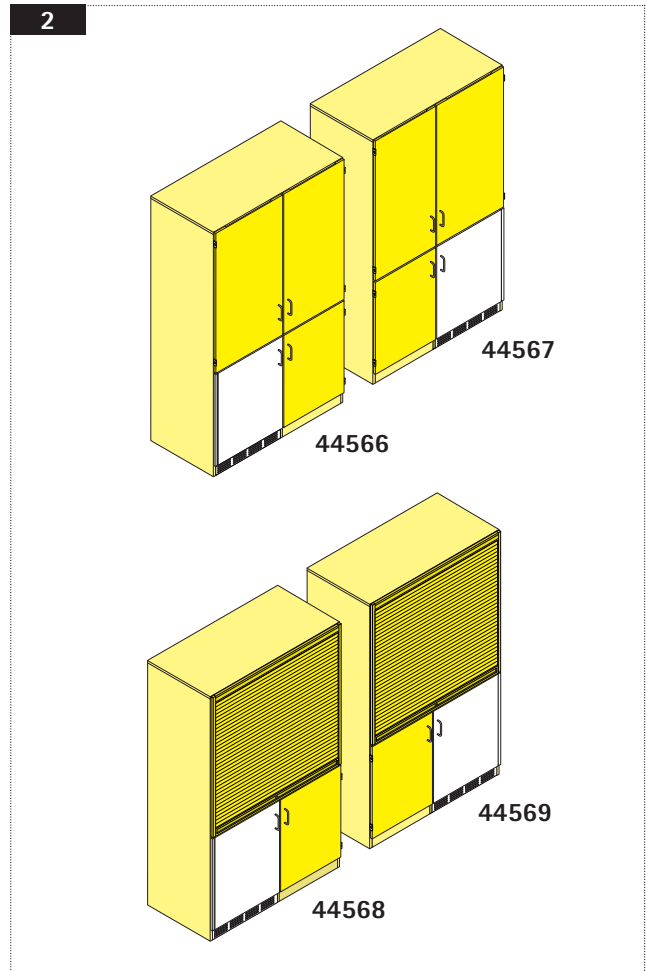
**Replacing the flaps [Figure 2]:**  
The flaps are inserted in the lateral guide grooves (1) using spring-loaded dowels (2).



### 13.4 Roller-shutter cabinets

Roller-shutter cabinets [Figure 1] are usually supplied assembled.

**Important!** If necessary, consult the separate installation instructions issued by Rehau.



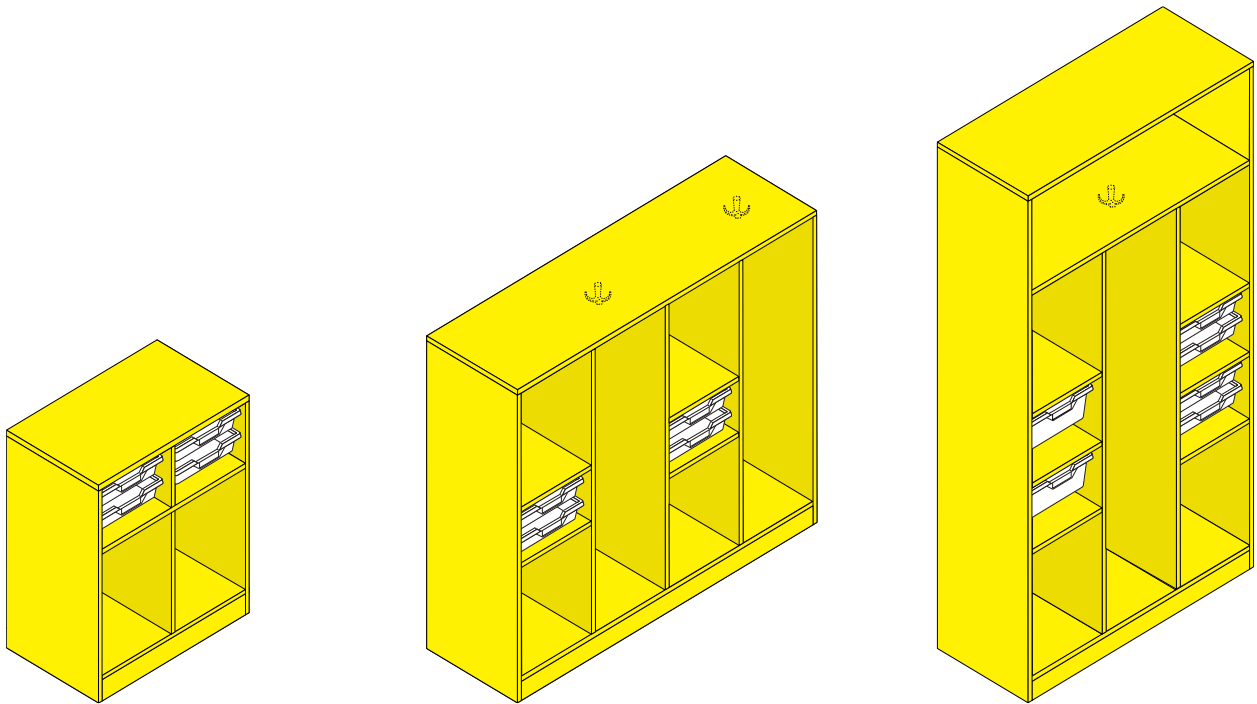
### 13.5 Kitchenettes and cabinets with washbasins

These models [Figure 2] are pre-assembled ex works.

**Caution!** All models with swing doors are asymmetrical.

**Important!** See operating instructions 70-212, Serie 800 kitchenettes.

1



### 13.6 Locker cabinets

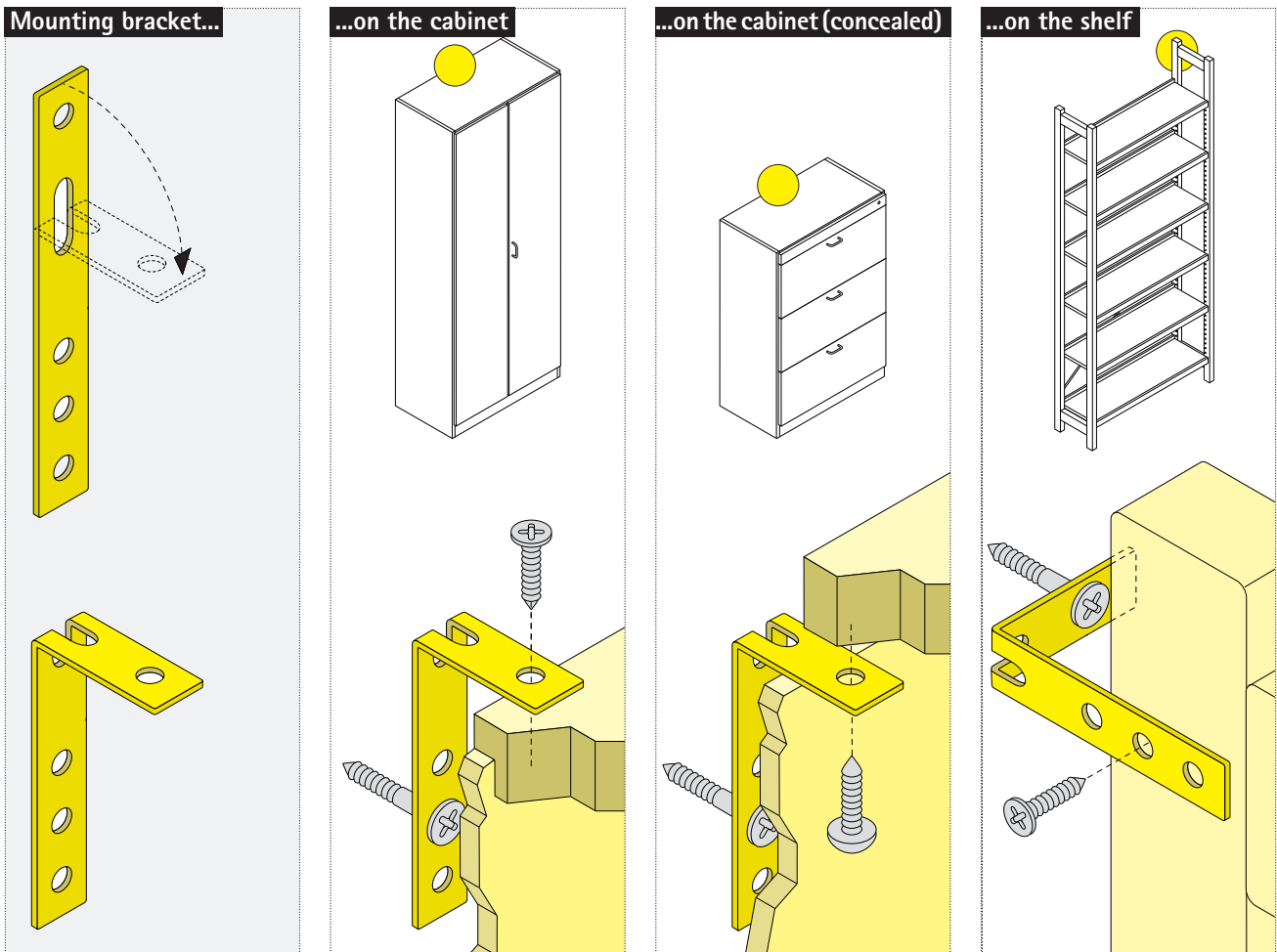
Locker cabinets [Figure 1] are usually delivered assembled. If several locker cabinets are in a row, connect (screw) locker cabinets together.

The supplied universal "anti-tilt" kit should be used as usual.

**Exception:** In the case of single-standing 30H wardrobes with wardrobe, these wardrobes should also be attached to the wall.

For details see item 14.1 Anti-tilt device for fixed cupboards/shelves.





## 14. Special fittings.

### 14.1 Tilt protection

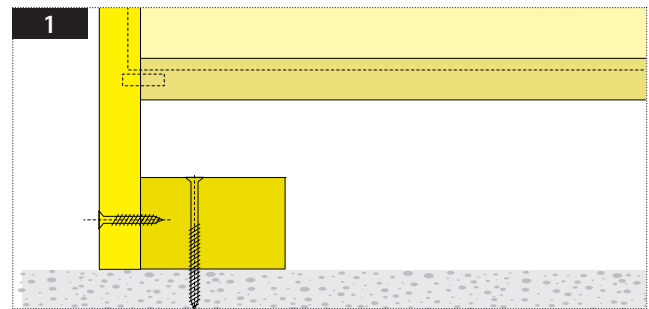
The DGUV Regel 108-007 regulations of the German employer's liability insurance association stipulate that all cabinets that meet one of the following criteria be secured to the wall with a retaining bracket:

- cabinets, shelves and wall units when add-on cabinets are mounted,
- cabinets and shelves with a total height of 197 cm or more,
- cabinets and shelves when the height is more than four times the depth,
- cabinets with pull-outs, drawers and suspension files.

**Caution!** If furniture tips over, this can result in severe or life-threatening injuries resulting from entrapment. The system may only be assembled by trained specialist personnel.

If the supplied multipurpose kit does not correspond to the properties of the wall, appropriate screws and fittings that guarantee stability must be obtained from specialist outlets. In the case of concealed fixings, a gap must be sawed for the fixing strip in the rear panel of the cabinet.

No fittings for floor fixing [Figure 1] are provided in the accessories pack. Depending on the properties of the floor or the underfloor material, the appropriate screws and fittings must be obtained from specialist outlets.



**For specialist personnel:** If the customer refuses tilt protection then this must be documented on the assembly certificate.

#### This multipurpose fixing kit contains:

1 x fixing strip, 1 x screw for wall fixing, 1 x screw for cabinet/shelving fixing 1 x multipurpose dowel for concrete walls, cellular concrete, plasterboard, solid bricks or perforated bricks

**Caution!** The manufacturer accepts no liability in the event of incorrect installation or installation that does not comply with regulations.


## 14.2 Concluding tasks

- Remove any visible labels or labels that interfere with operation.
- Remove protective films and protective packaging.
- Eliminate dust from drilling and transport protections.
- Clean the inside and outside of the furniture.
- Dispose of any waste in accordance with requirements.

### Other:

Any difficulties or problems encountered must be carefully documented and sent to the Customer Service at VS.

---

 **Important!** Document any additional work, such as the number and type of cut-outs, and obtain confirmation of this from a responsible person (instruction document).

---


## 14.3 Extras

Wall and ceiling closures are inserted at the installation site. Customer's wishes (instruction document): Cut-outs are an additional service unless listed in the order confirmation.

### **Additional services that are charged for separately:**

Sealing small floor joins using pliant joining material. This also applies to small lateral or ceiling joins. Connections and base are only sealed if the customer requests this.

---

 **Important!** Inform the customer of any additional services before performing them ->VOB <Part B § 6[1].

---