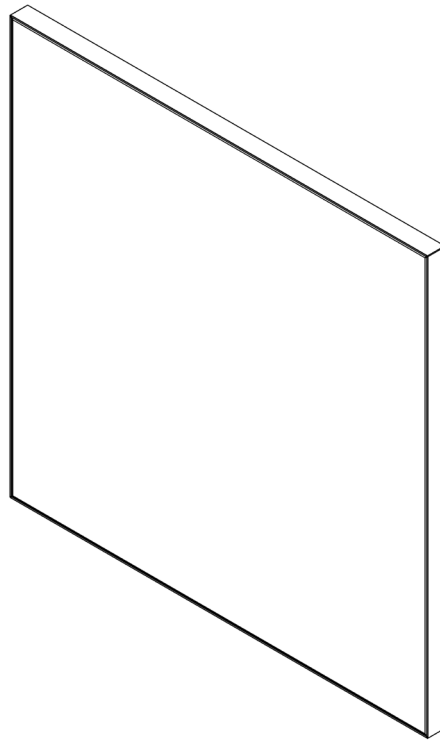
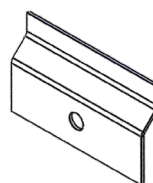
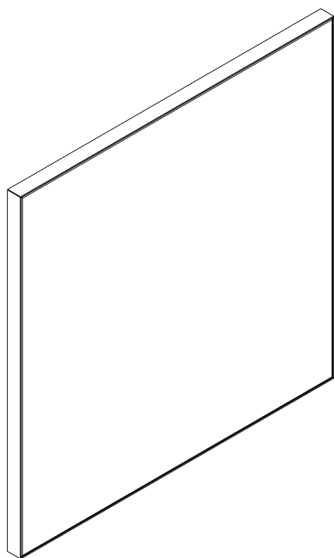


SS50 Wall Panel



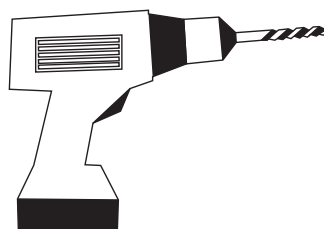
Installation manual for regular sizes

PARTS

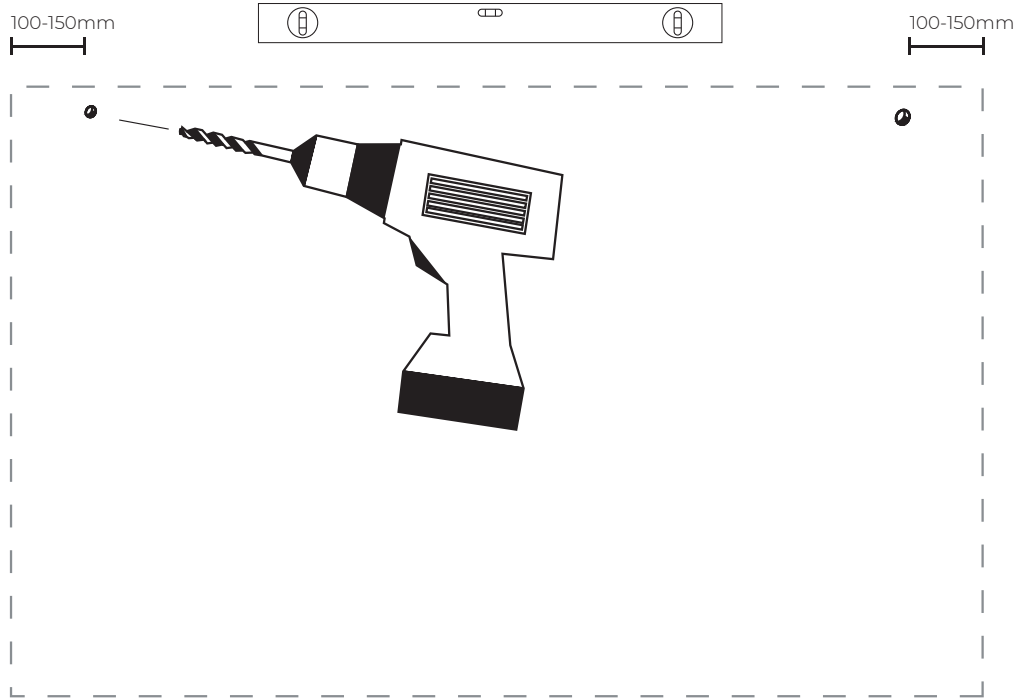


2x 50mm

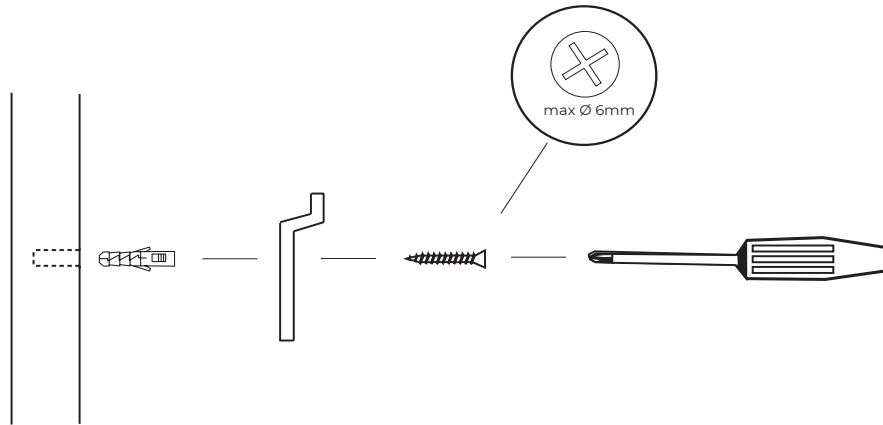
TOOLS



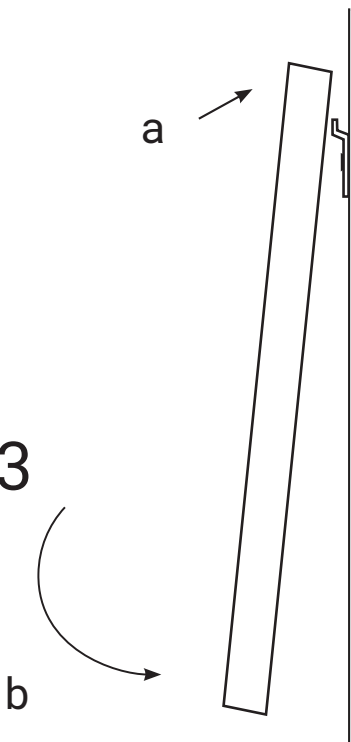
01



02



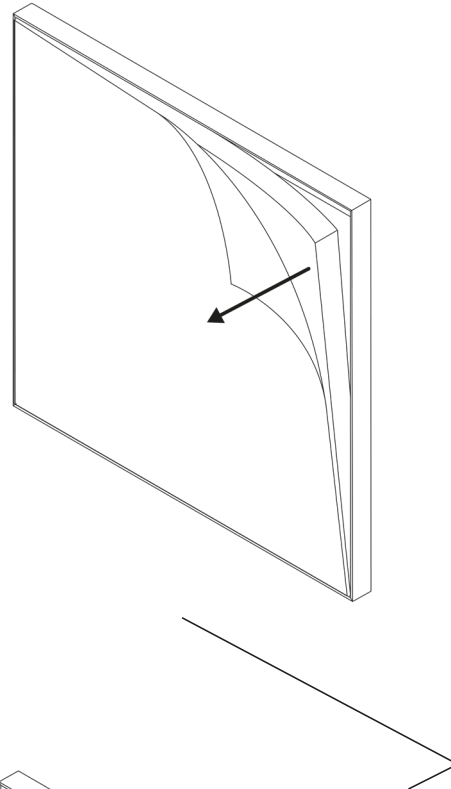
03



Optional*

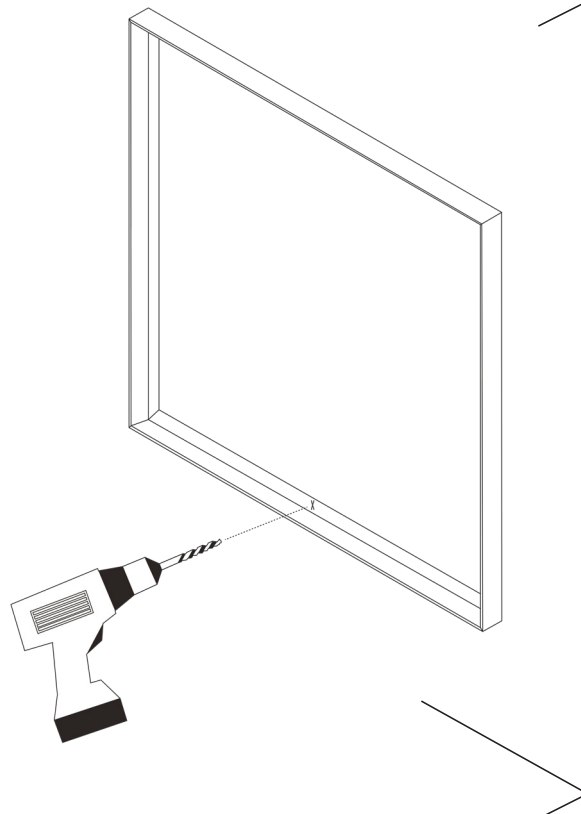
*For a more secure mount it is possible to fixate the panel to the wall, following the next steps:

04

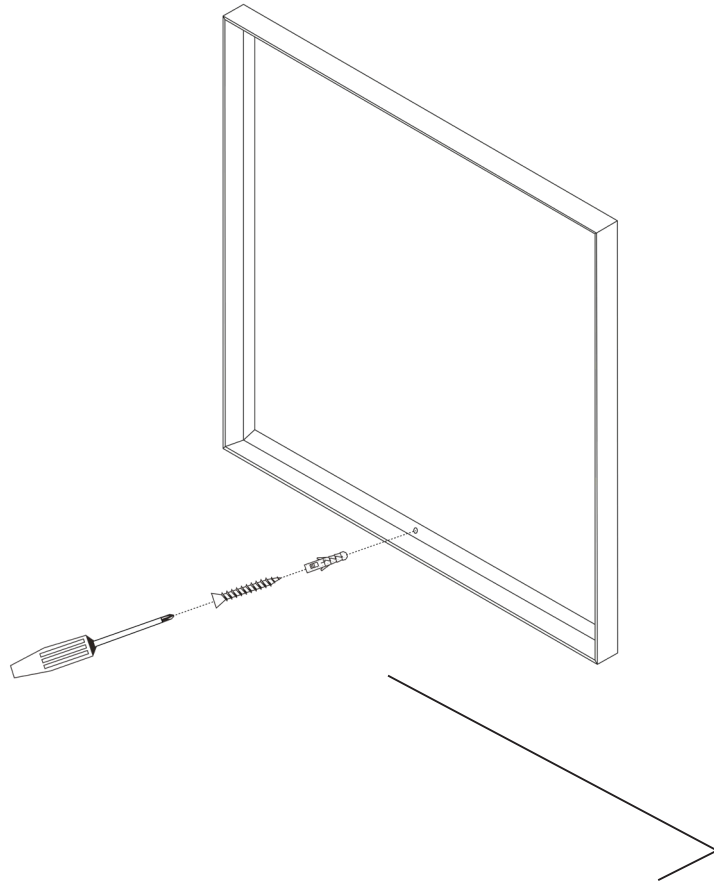


05

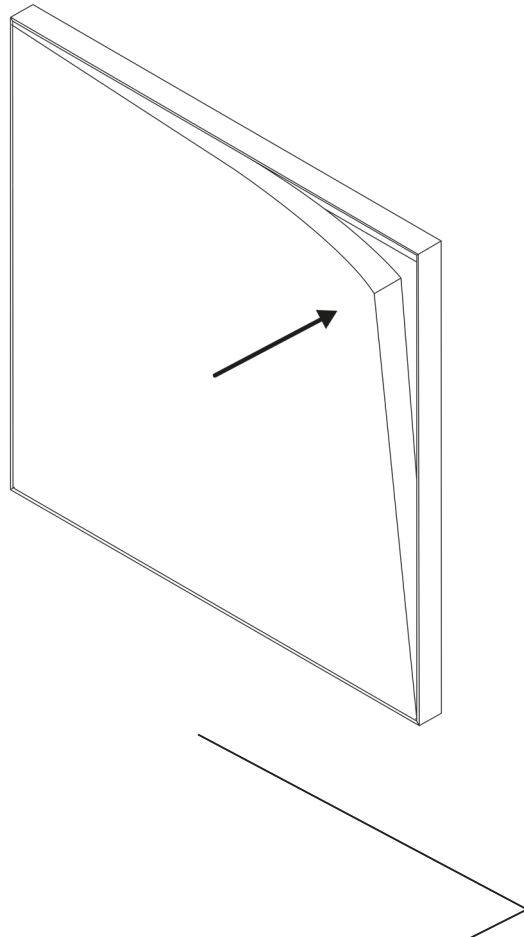
Drill a hole through the aluminium profile into the wall.



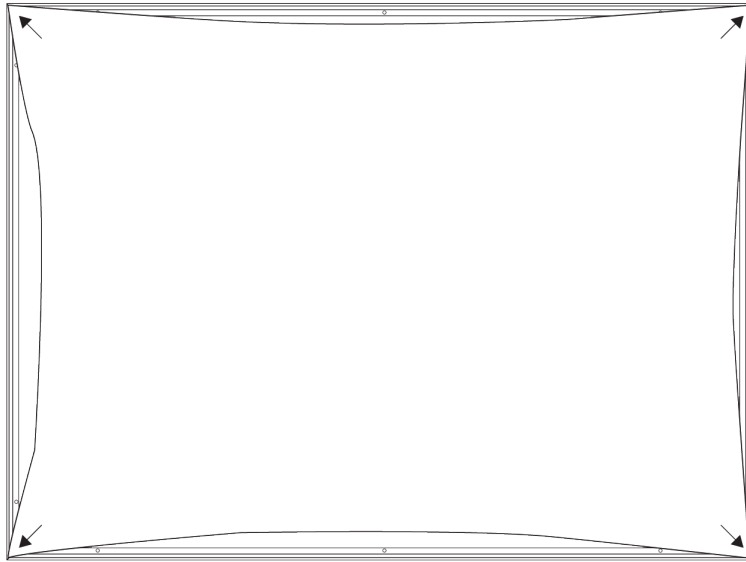
06



07



08



09

