

2



24h



38 m²



10 x 4,6 x 3 m



~1268 kg



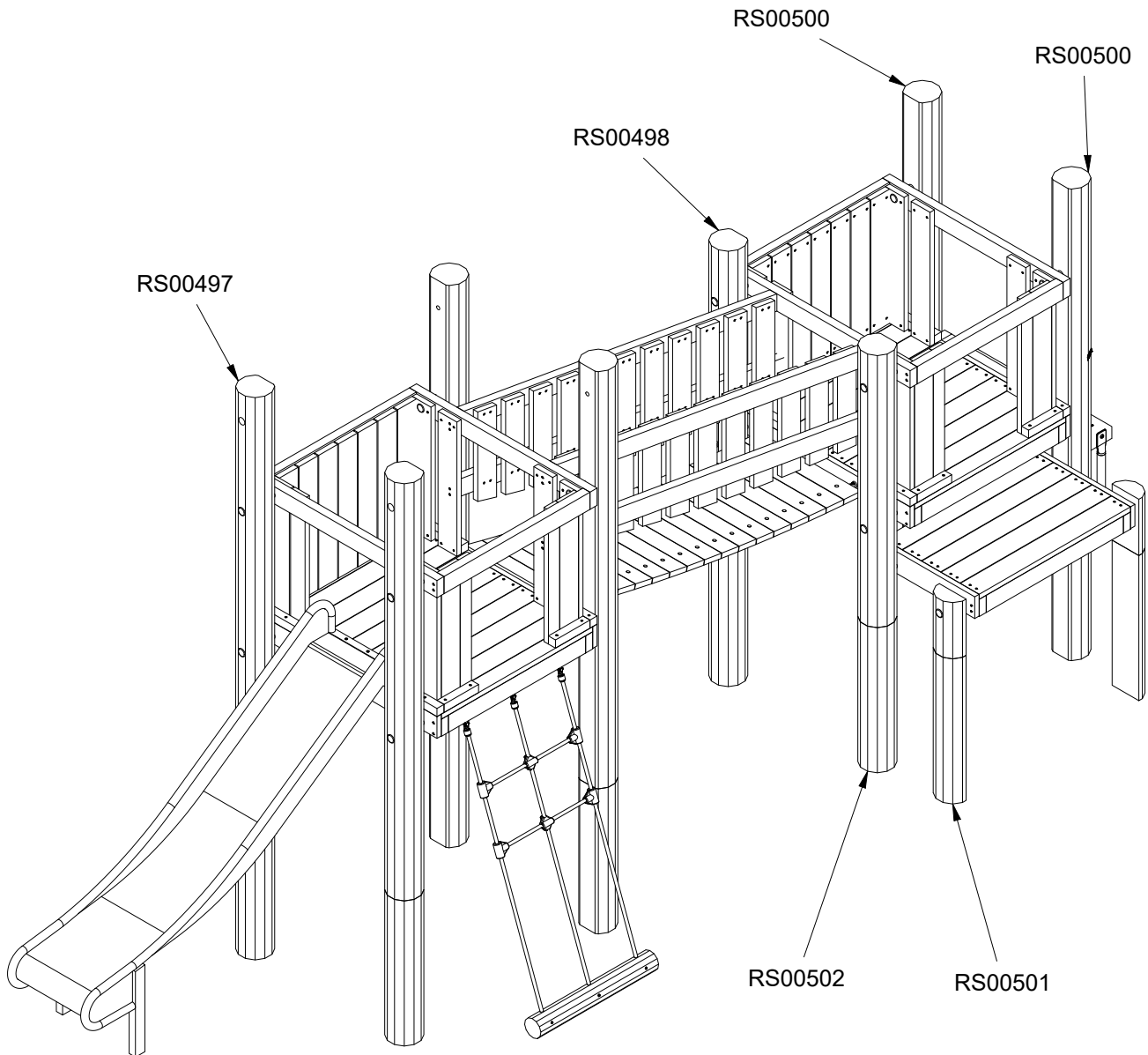
~0,38 m³



Ø16-18 x 350 cm

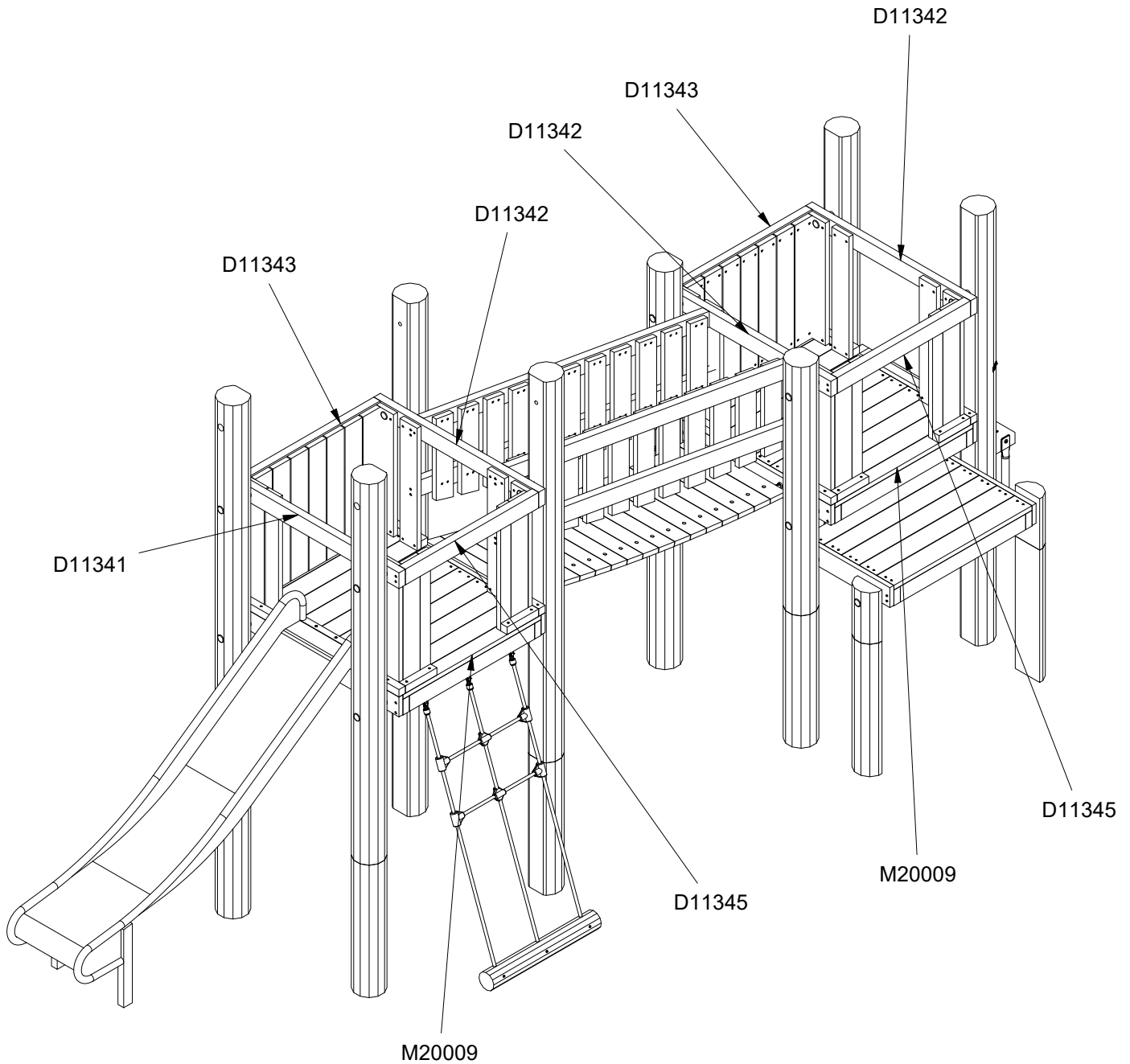


96 kg



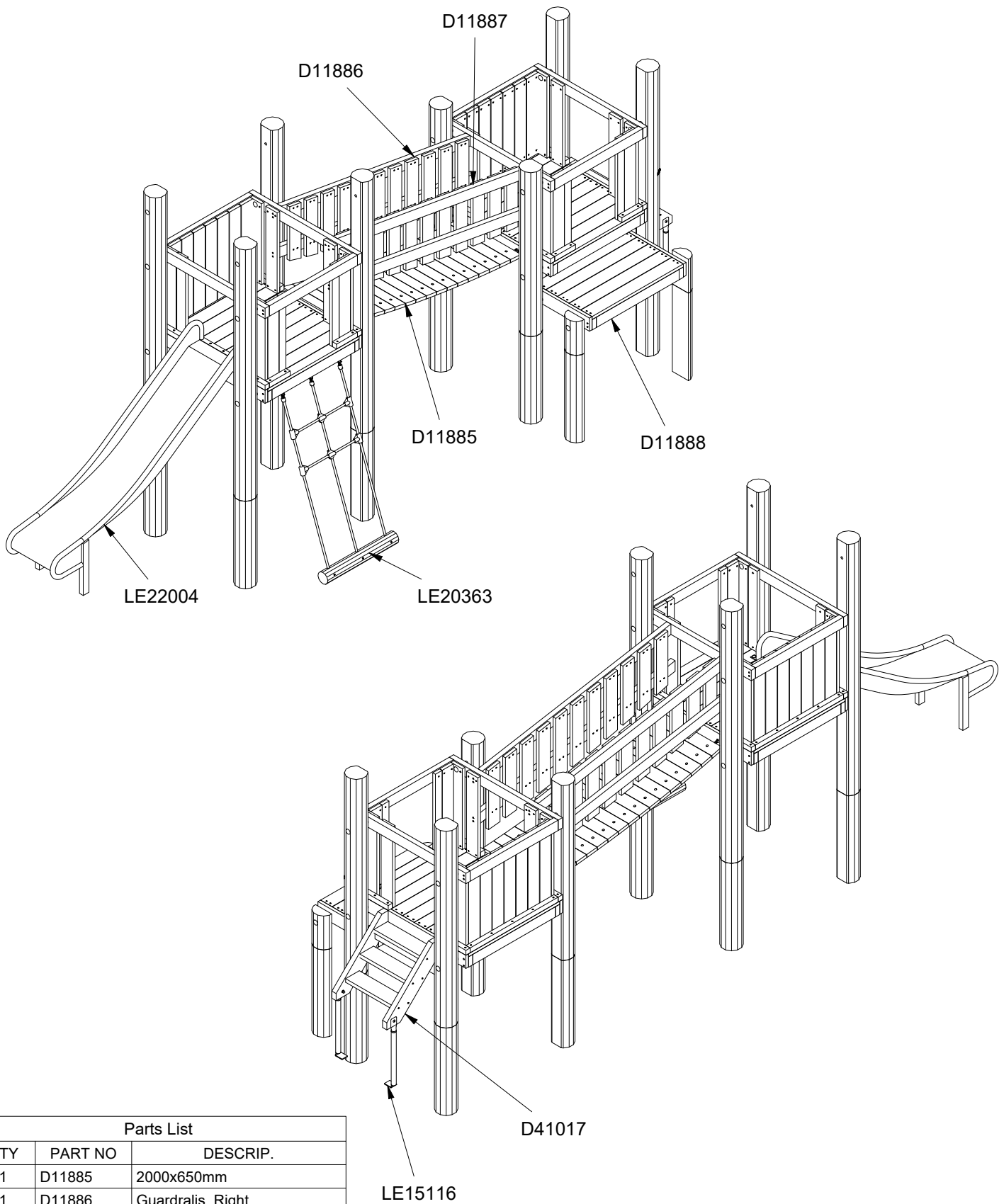
Parts List

QTY	PART NO	DESCRIP.
4	RS00497	Ø160-180
1	RS00498	Ø160-180
2	RS00500	Ø160-180
2	RS00501	Ø160-180
1	RS00502	Ø160-180

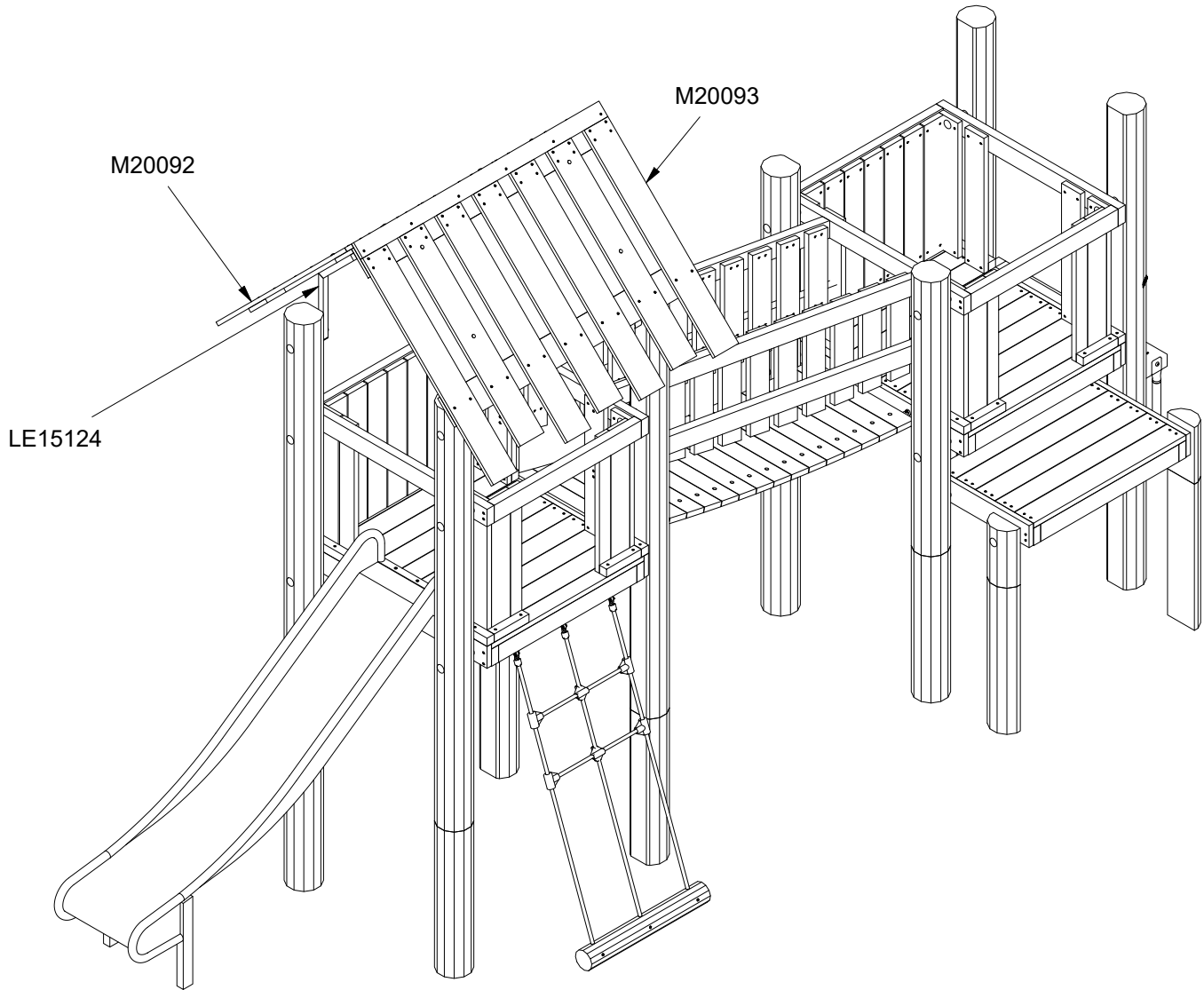


Parts List

QTY	PART NO	DESCRIP.
1	D11341	1150x750mm, 620mm Gap
3	D11342	1150x750mm, 490mm Gap
2	D11343	930x750mm, Closed
2	D11345	930x750mm, 490mm Gap
2	M20009	1150x1020mm

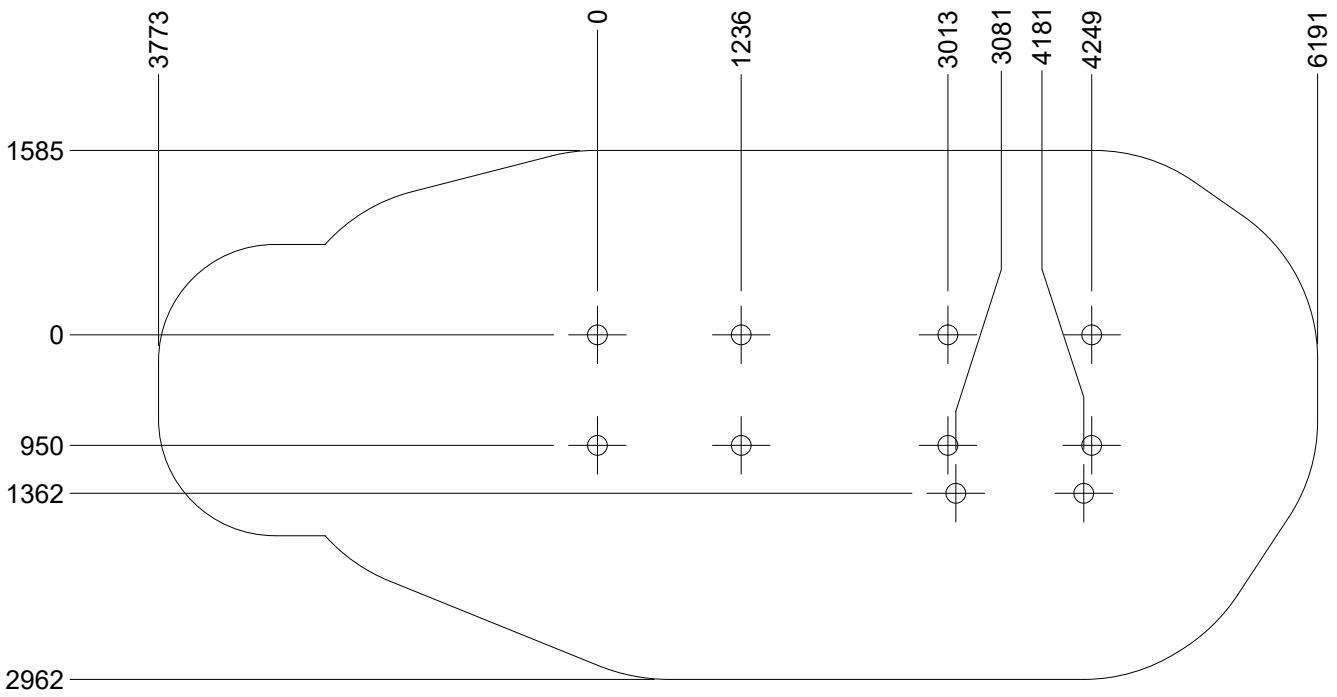
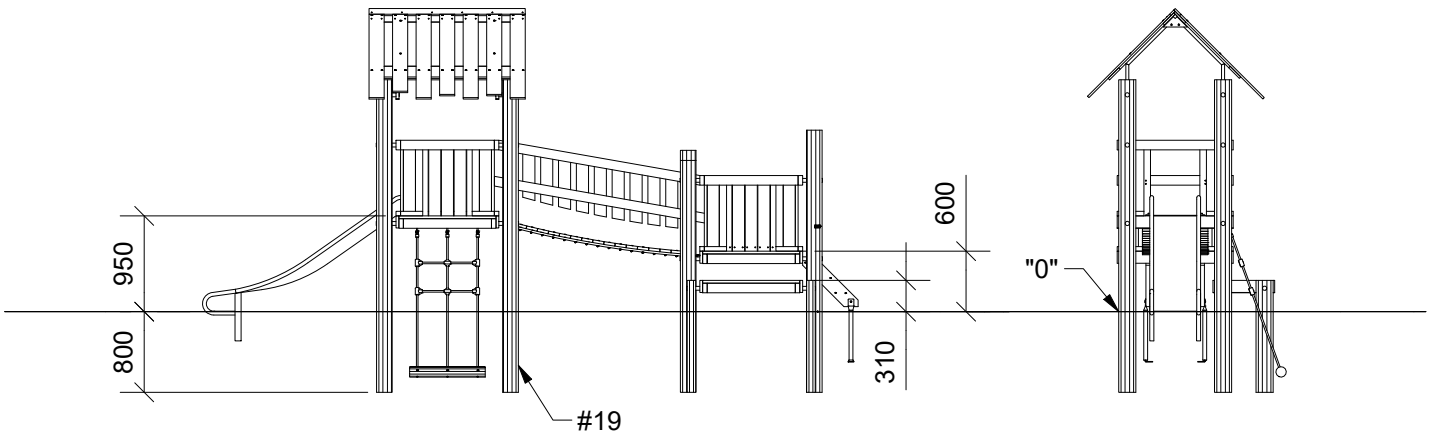


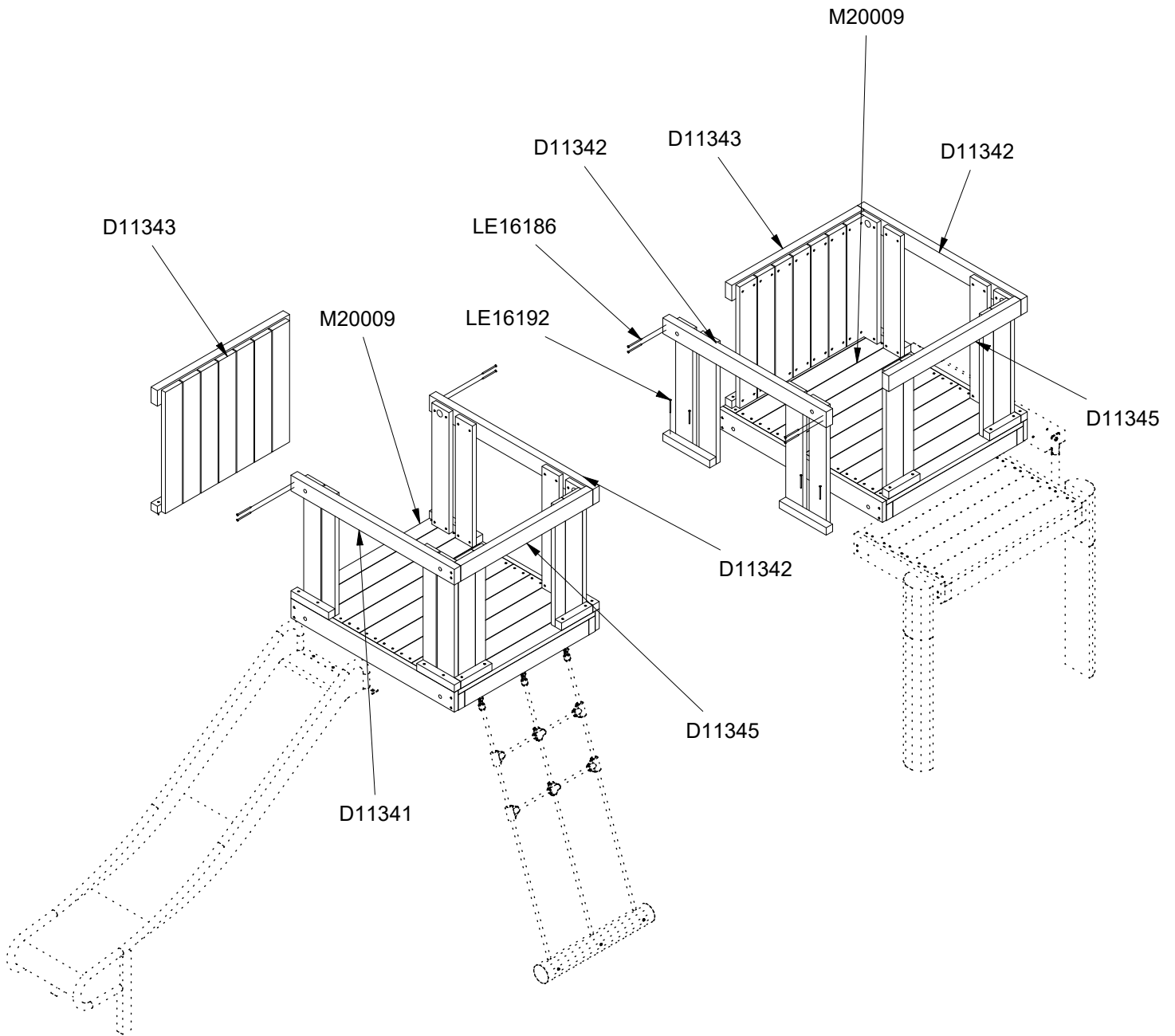
Parts List		
QTY	PART NO	DESCRIP.
1	D11885	2000x650mm
1	D11886	Guardralis, Right
1	D11887	Guardralis, Left
1	D11888	1020x660x120mm, Half floor
1	D41017	Stairs FH: 600
2	LE15116	L: 600mm
1	LE20363	Taifun net
1	LE22004	Slide 50x170x195cm



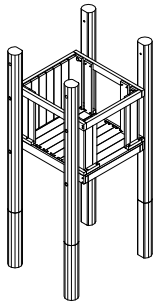
Parts List

QTY	PART NO	DESCRIP.
2	LE15124	Steel rafters
1	M20092	Roof side
1	M20093	Roof side

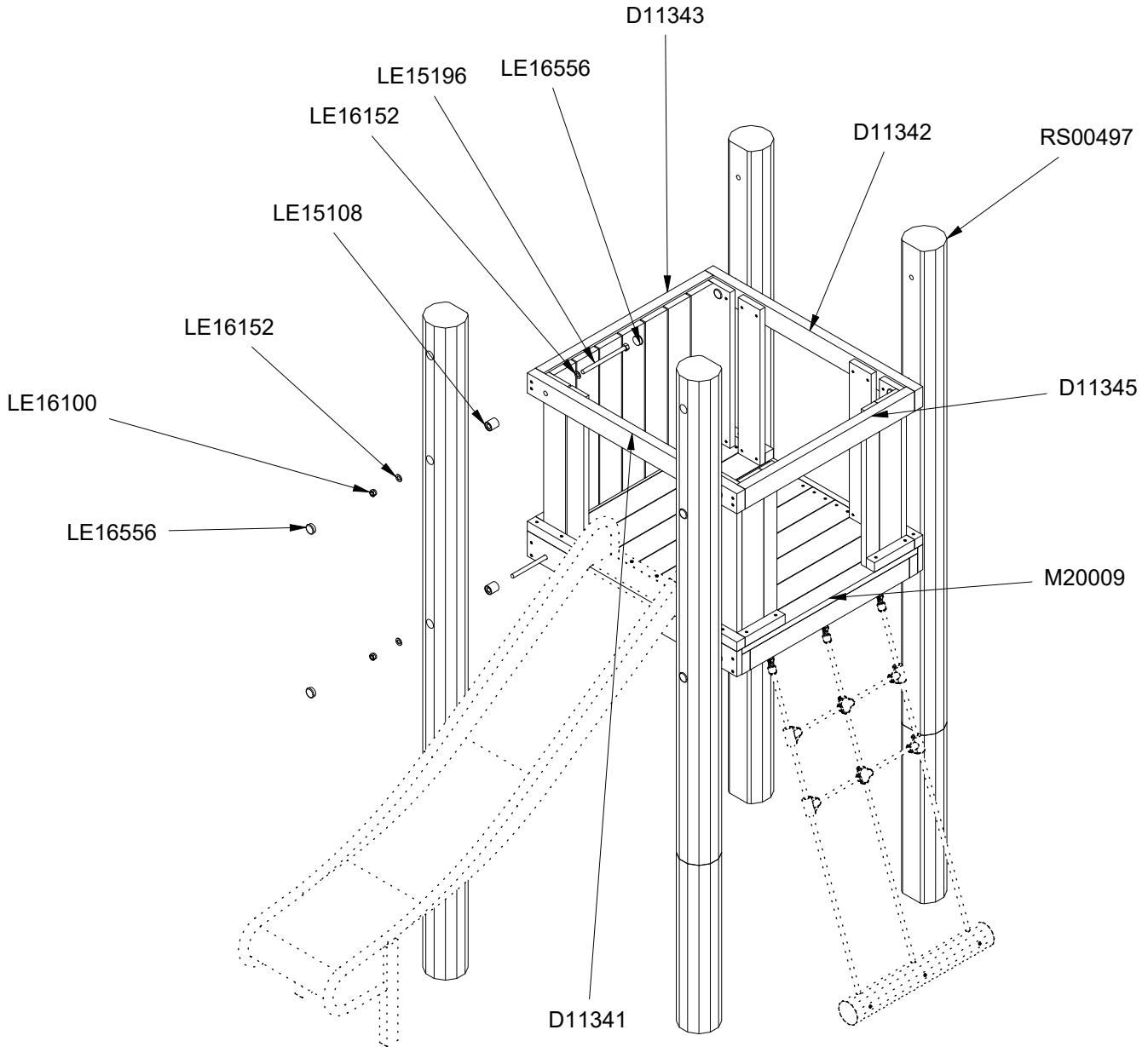




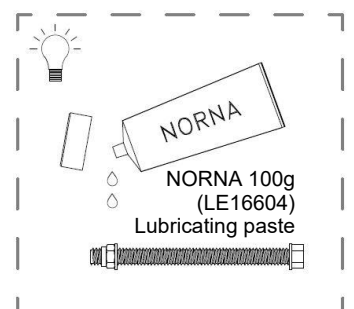
Parts List		
QTY	PART NO	DESCRIP.
1	D11341	1150x750mm, 620mm Gap
3	D11342	1150x750mm, 490mm Gap
2	D11343	930x750mm, Closed
2	D11345	930x750mm, 490mm Gap
16	LE16186	6x100 Ch
38	LE16192	5x80mm
2	M20009	1150x1020mm

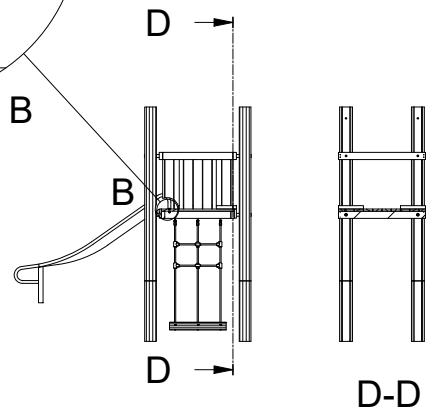
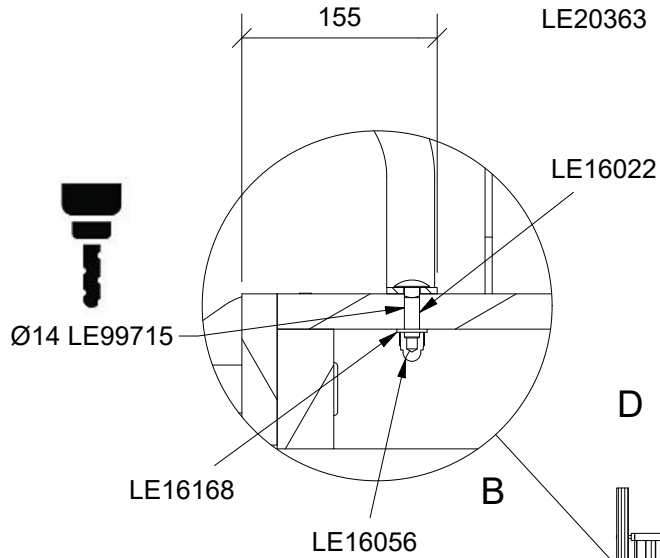
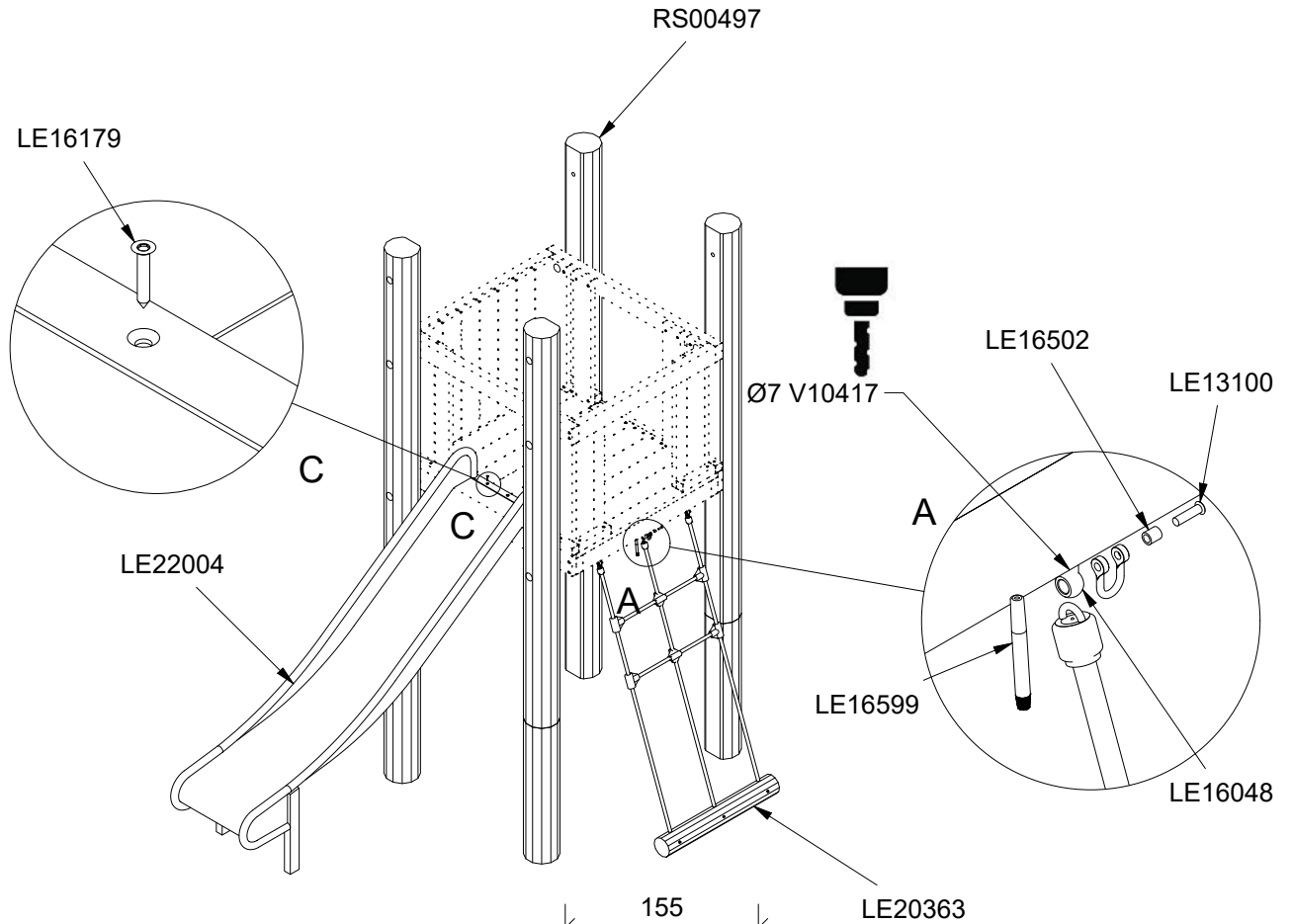
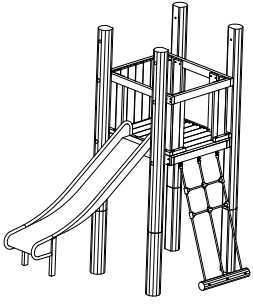


0102-015-001

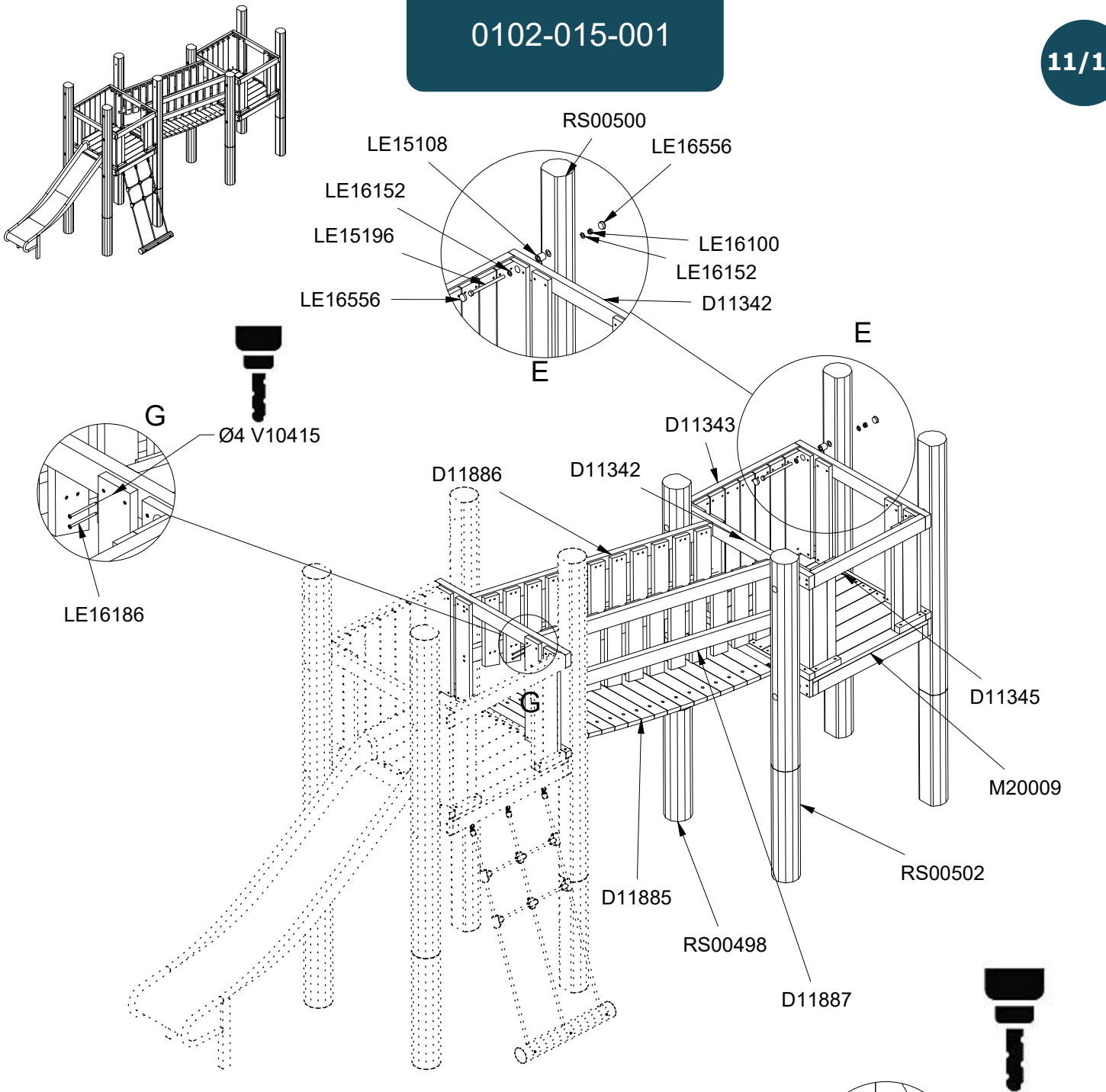


Parts List		
QTY	PART NO	DESCRIP.
1	D11341	1150x750mm, 620mm Gap
1	D11342	1150x750mm, 490mm Gap
1	D11343	930x750mm, Closed
1	D11345	930x750mm, 490mm Gap
8	LE15108	Ø38x40mm
8	LE15196	M16x230 mm
8	LE16100	M16 nut
16	LE16152	M16 - Ø30 mm
16	LE16556	Ø42/38mm
1	M20009	1150x1020mm
4	RS00497	Ø160-180

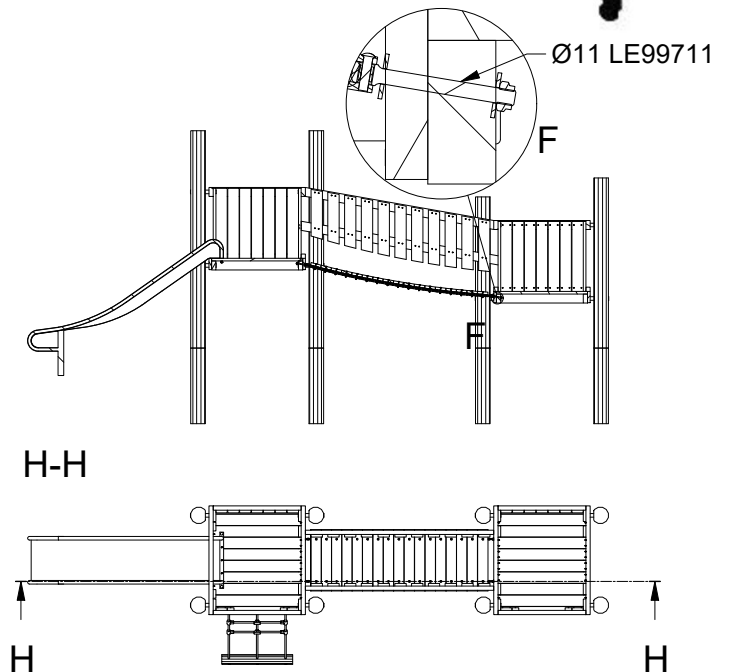


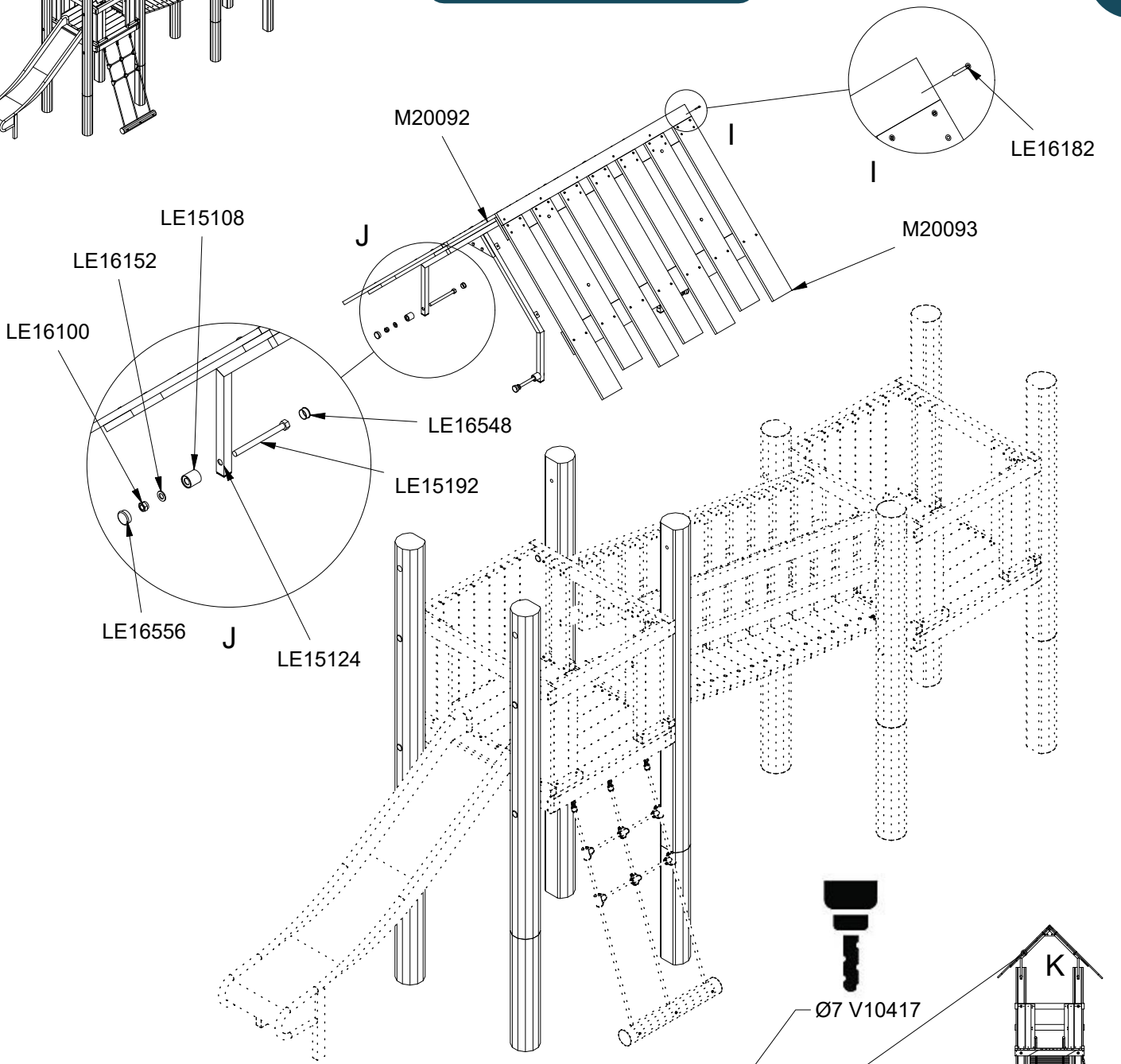
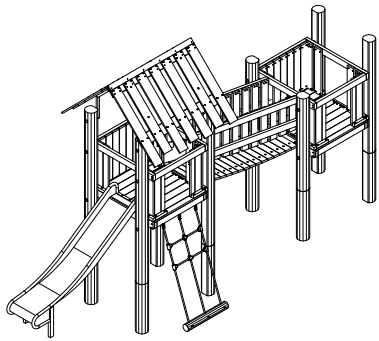


Parts List		
QTY	PART NO	DESCRIP.
3	LE13100	Shackle
2	LE16022	M12x40 mm
3	LE16048	Eyebolt 10x120mm
2	LE16056	M12 cap nut
2	LE16168	M12 - Ø24 mm
3	LE16179	Ø5x30mm Ch
3	LE16502	Spacer 6mm
1	LE16599	Sealtite 970 1,5ml
1	LE20363	Taifun net
1	LE22004	Slide 50x170x195cm
1	LE99715	Ø14mm, l=200/130mm
4	RS00497	Ø160-180
1	V10417	HSS lang Ø7mm L:156mm

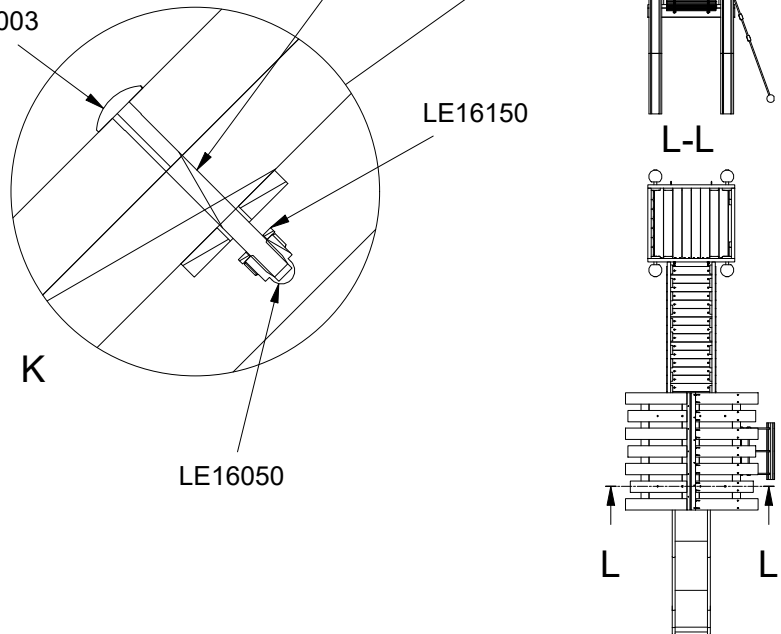


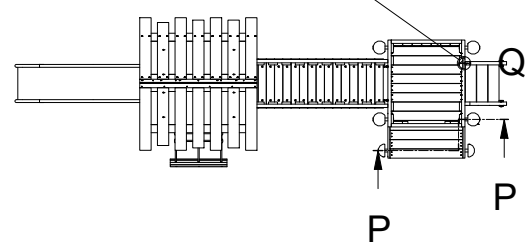
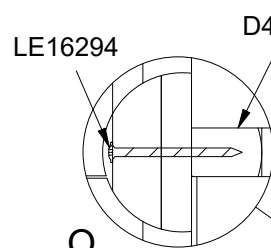
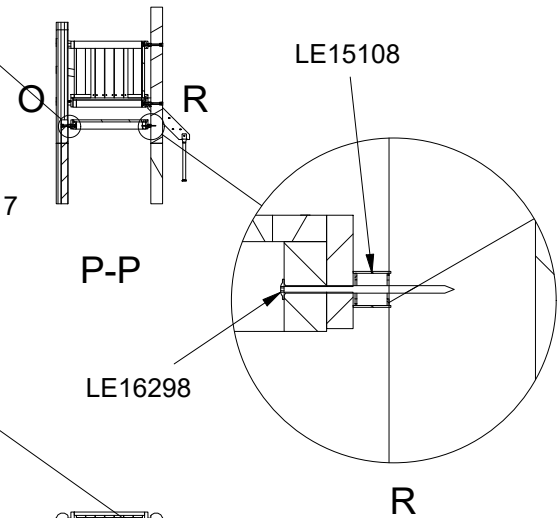
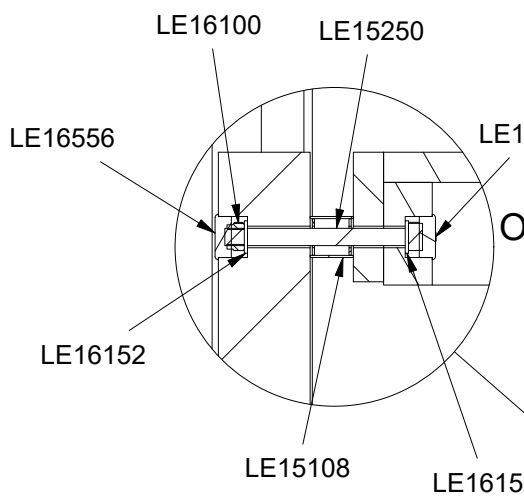
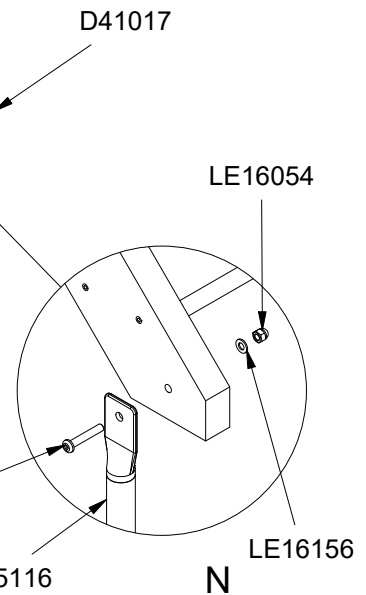
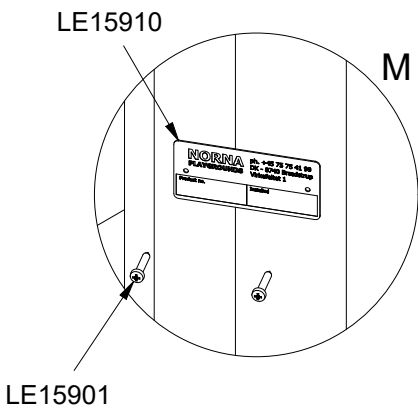
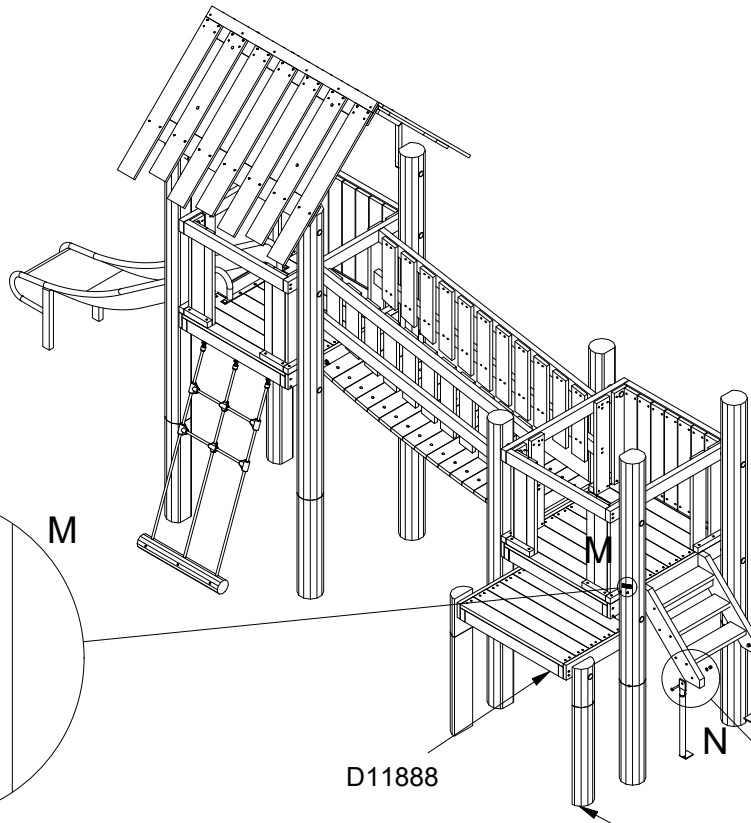
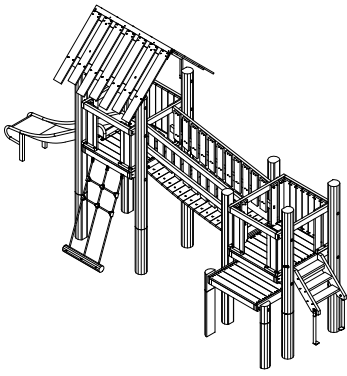
Parts List		
QTY	PART NO	DESCRIP.
2	D11342	1150x750mm, 490mm Gap
1	D11343	930x750mm, Closed
1	D11345	930x750mm, 490mm Gap
1	D11885	2000x650mm
1	D11886	Guardralis, Right
1	D11887	Guardralis, Left
8	LE15108	Ø38x40mm
8	LE15196	M16x230 mm
8	LE16100	M16 nut
16	LE16152	M16 - Ø30 mm
16	LE16186	6x100 Ch
16	LE16556	Ø42/38mm
1	LE99711	Ø11mm, l=190/120 mm
1	M20009	1150x1020mm
1	RS00498	Ø160-180
2	RS00500	Ø160-180
1	RS00502	Ø160-180
1	V10415	HSS Ø4mm L:119mm





Parts List		
QTY	PART NO	DESCRIP.
4	LE15108	Ø38x40mm
2	LE15124	Steel rafters
4	LE15192	M16x190 mm
8	LE16003	M6x60
8	LE16050	M6 DIN 986
4	LE16100	M16 nut
8	LE16150	M6
4	LE16152	M16 - Ø30 mm
11	LE16182	Ø5x50mm
4	LE16548	Cap Ø28 hole
4	LE16556	Ø42/38mm
1	M20092	Roof side
1	M20093	Roof side
1	V10417	HSS lang Ø7mm L:156mm





Parts List		
QTY	PART NO	DESCRIP.
1	D11888	1020x660x120mm, Half floor
1	D41017	Stairs FH: 600
4	LE15108	Ø38x40mm
2	LE15116	L: 600mm
2	LE15250	M16x170 mm
2	LE15901	3x16, PH
1	LE15910	Name tag
2	LE16054	M10 cap nut
2	LE16077	Buttonhead 10x60mm
2	LE16100	M16 nut
4	LE16152	M16 - Ø30 mm
2	LE16156	M10-Ø20
2	LE16294	Ø8x120/80 mm
2	LE16298	8x180/80 Dh
4	LE16556	Ø42/38mm
2	RS00501	Ø160-180