

2



6h



32 m²



7,2 x 5,5 x 2,8 m



~1039 kg



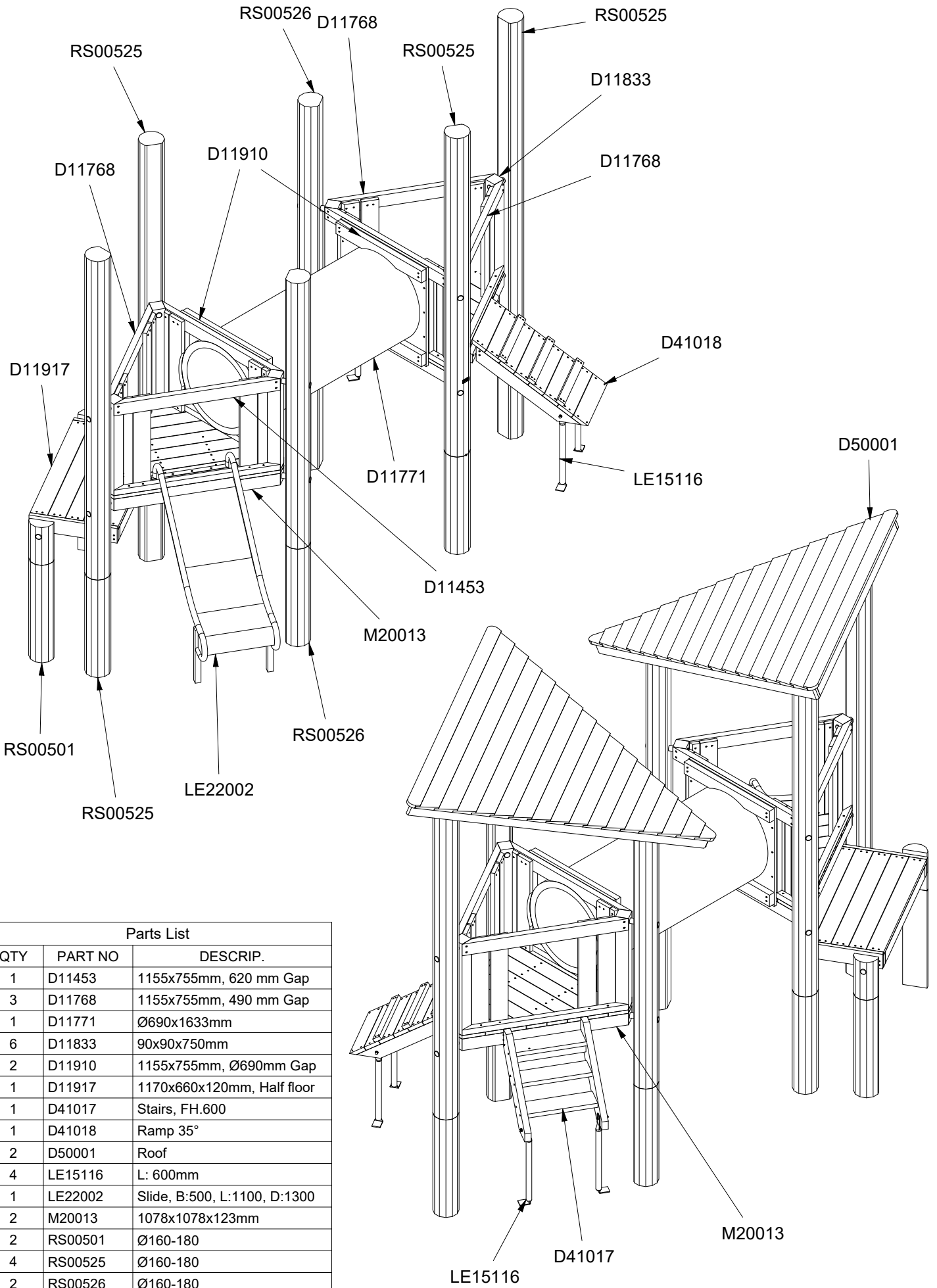
~0,46 m³



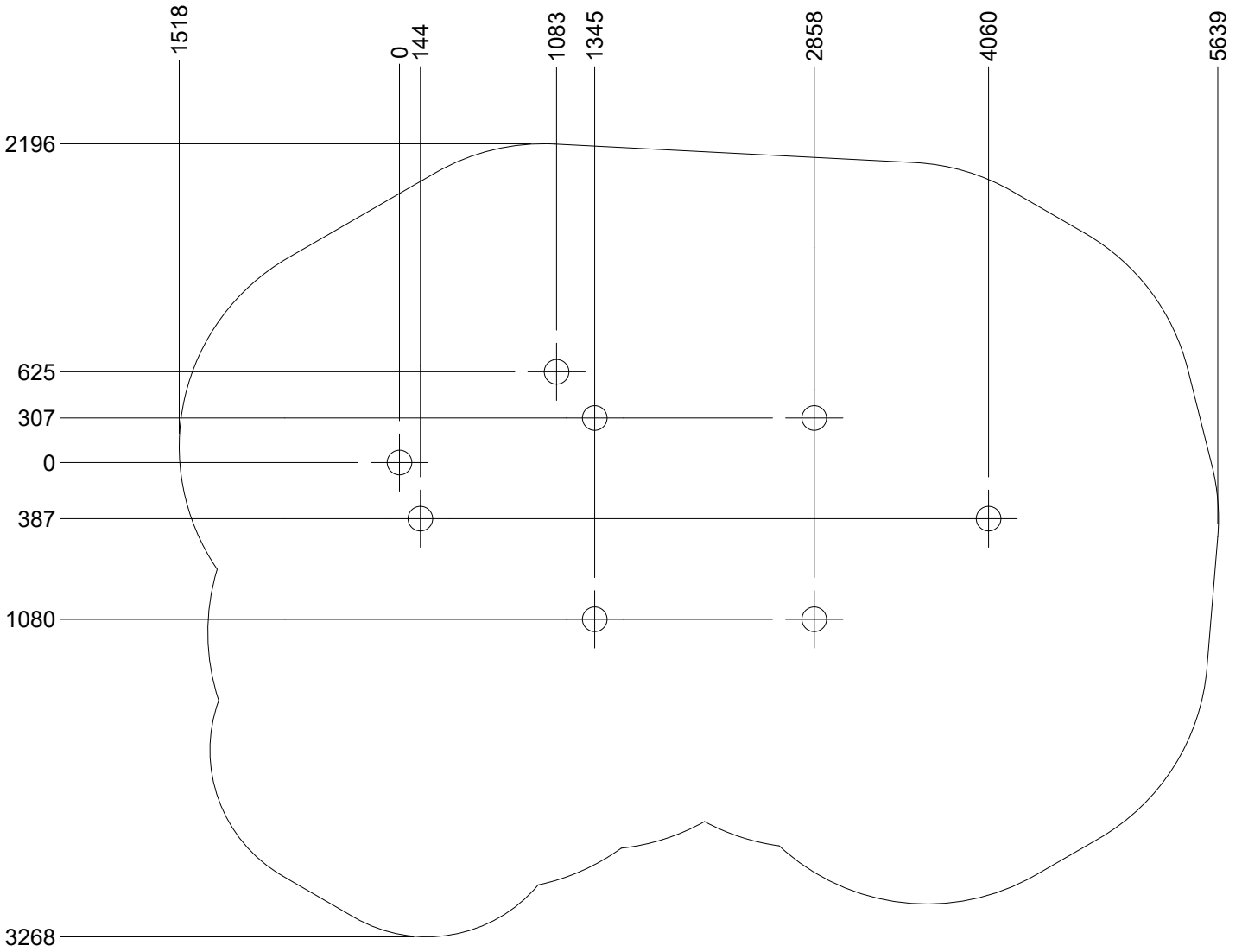
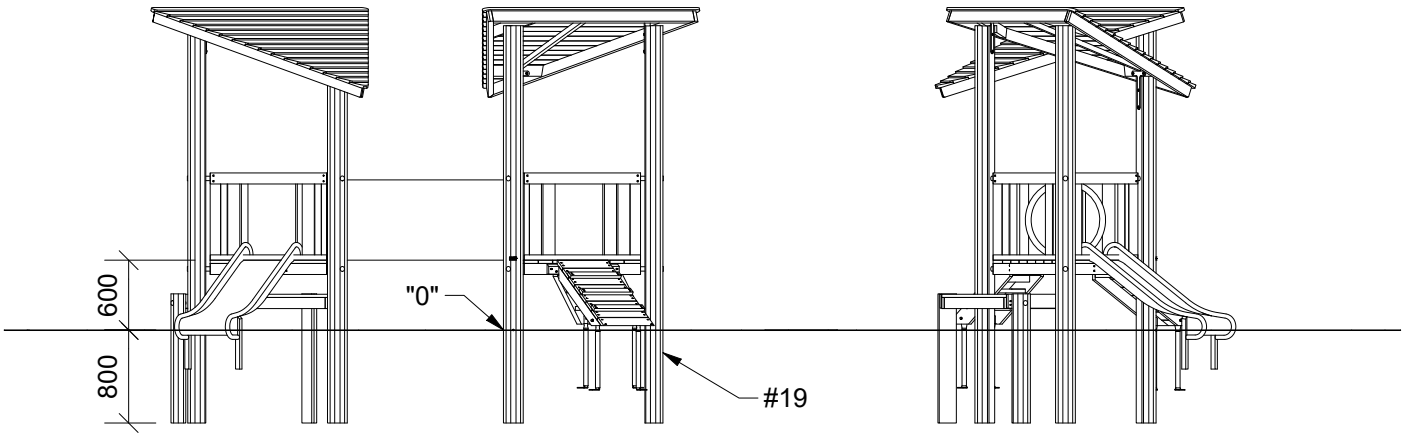
Ø16/18-270 cm

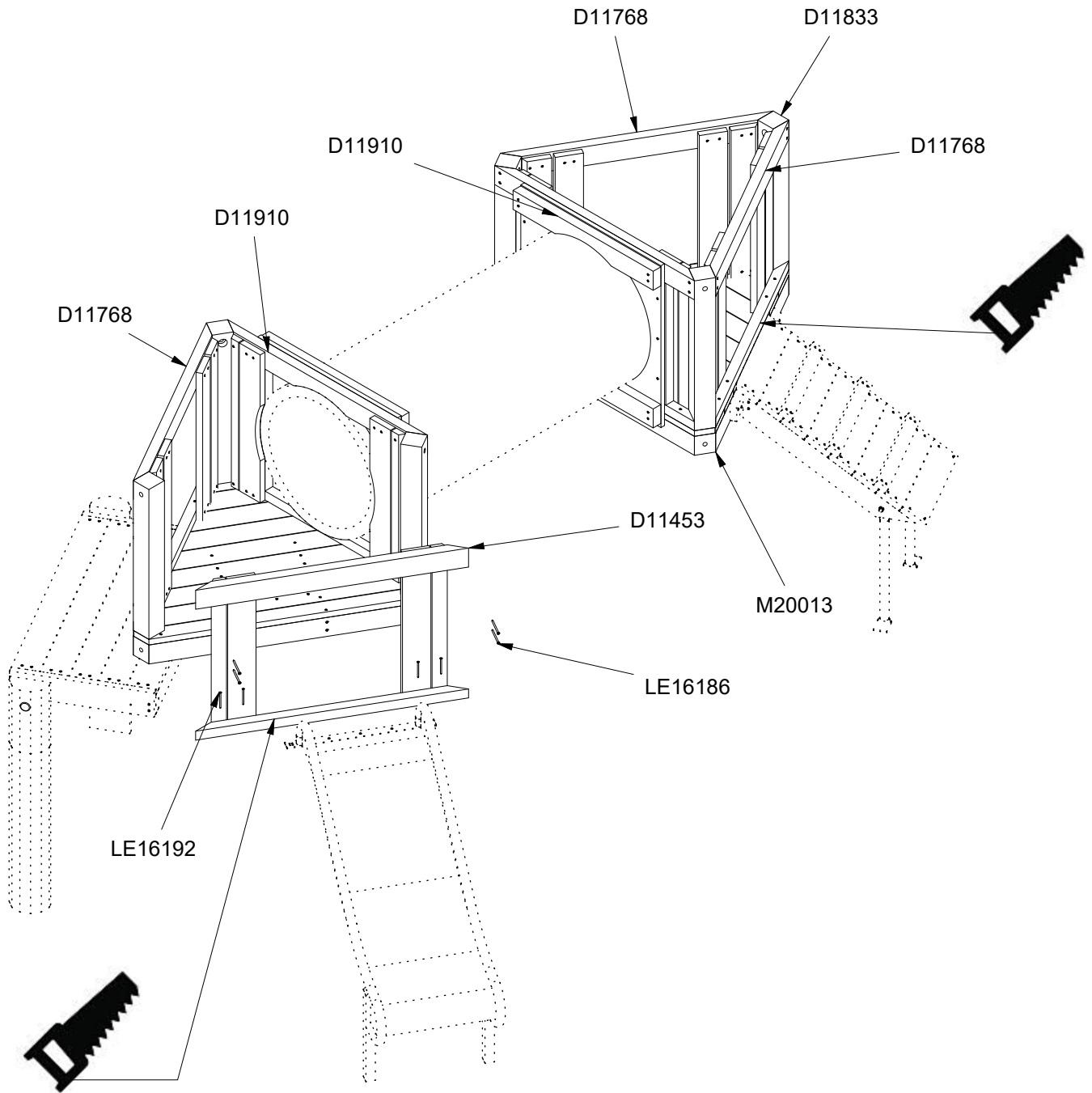


230 kg



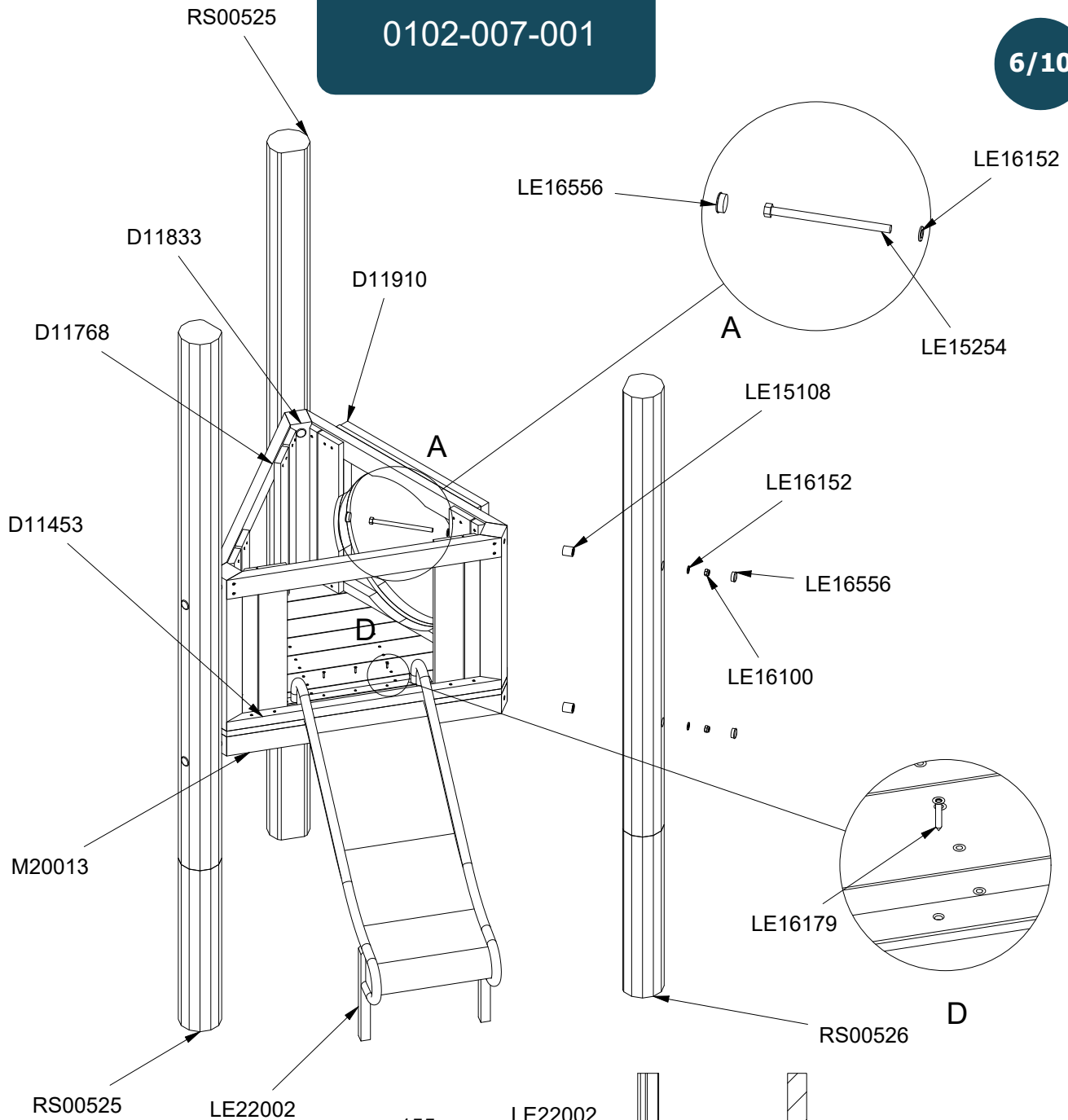
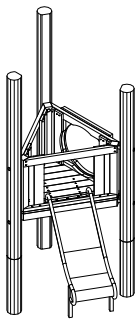
Parts List		
QTY	PART NO	DESCRIP.
1	D11453	1155x755mm, 620 mm Gap
3	D11768	1155x755mm, 490 mm Gap
1	D11771	Ø690x1633mm
6	D11833	90x90x750mm
2	D11910	1155x755mm, Ø690mm Gap
1	D11917	1170x660x120mm, Half floor
1	D41017	Stairs, FH.600
1	D41018	Ramp 35°
2	D50001	Roof
4	LE15116	L: 600mm
1	LE22002	Slide, B:500, L:1100, D:1300
2	M20013	1078x1078x123mm
2	RS00501	Ø160-180
4	RS00525	Ø160-180
2	RS00526	Ø160-180



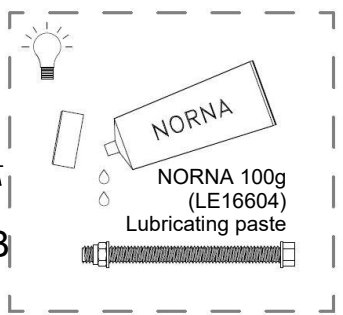
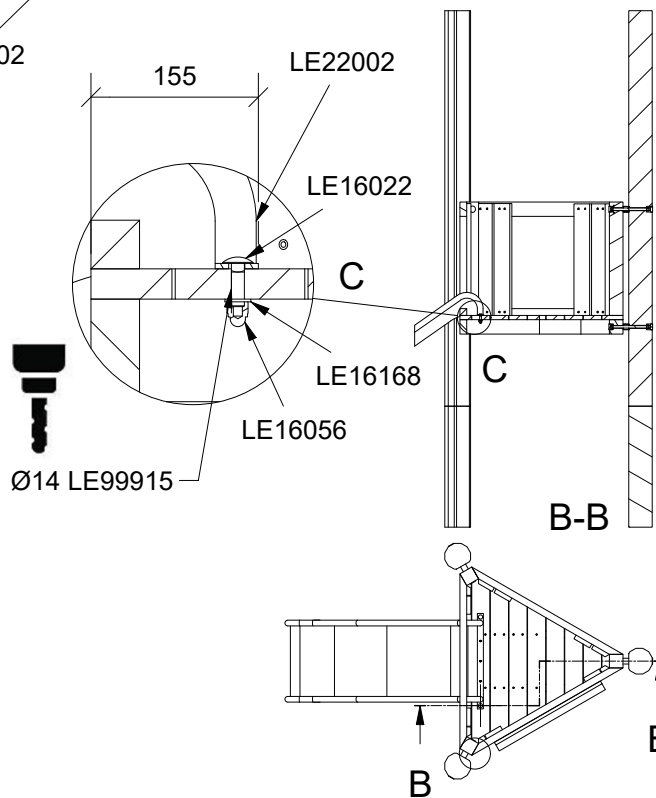


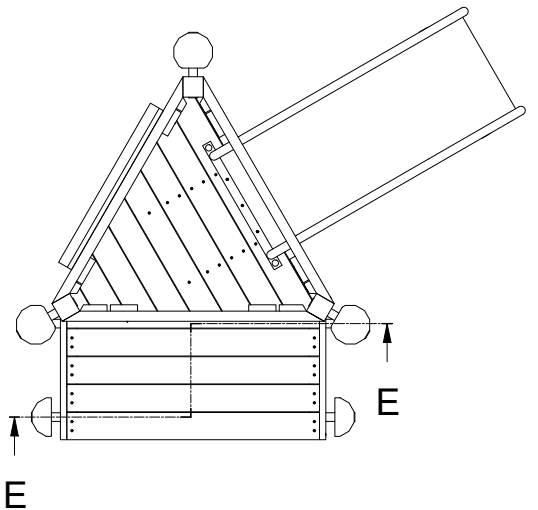
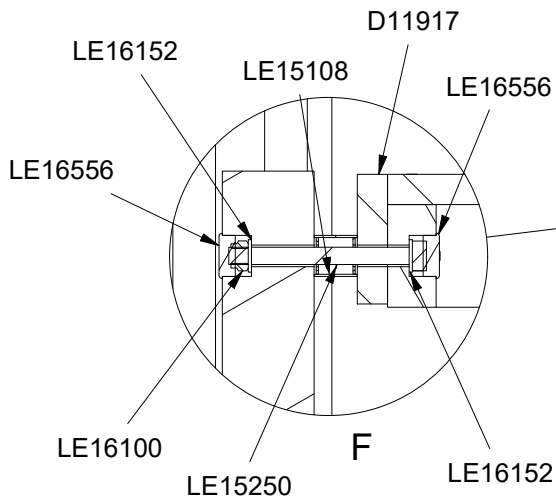
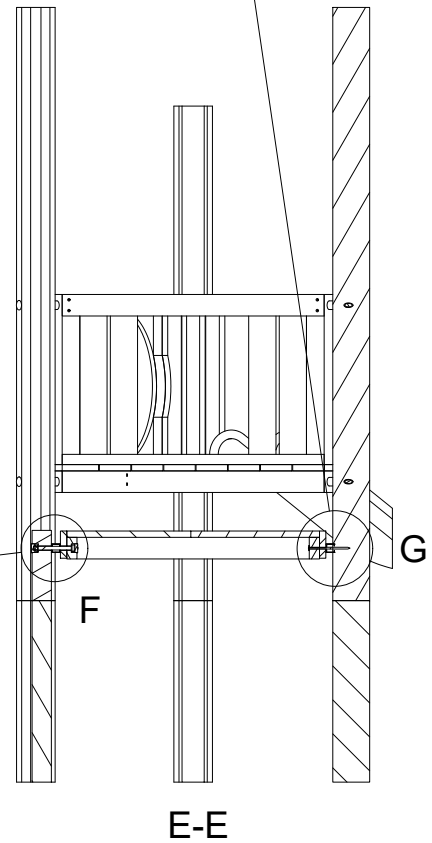
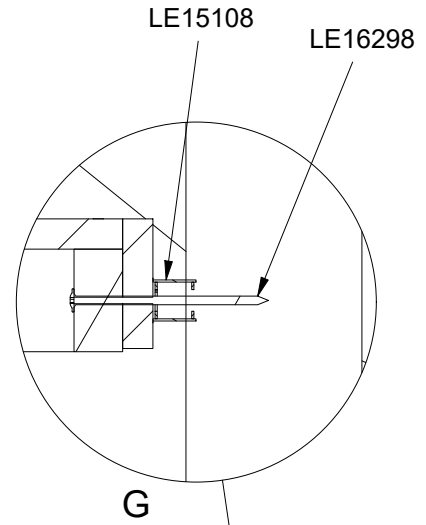
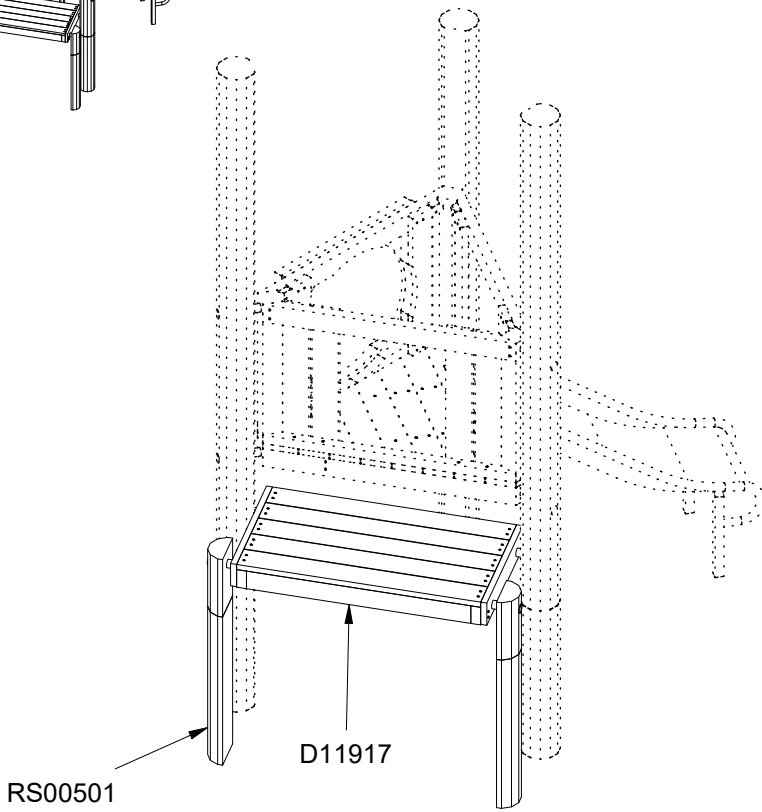
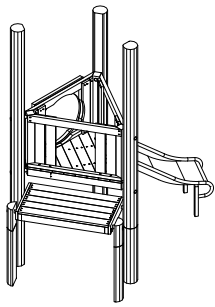
Parts List

QTY	PART NO	DESCRIP.
1	D11453	1155x755mm, 620 mm Gap
3	D11768	1155x755mm, 490 mm Gap
6	D11833	90x90x750mm
2	D11910	1155x755mm, Ø690mm Gap
24	LE16186	6x100 Ch
20	LE16192	5x80mm
2	M20013	1078x1078x123mm

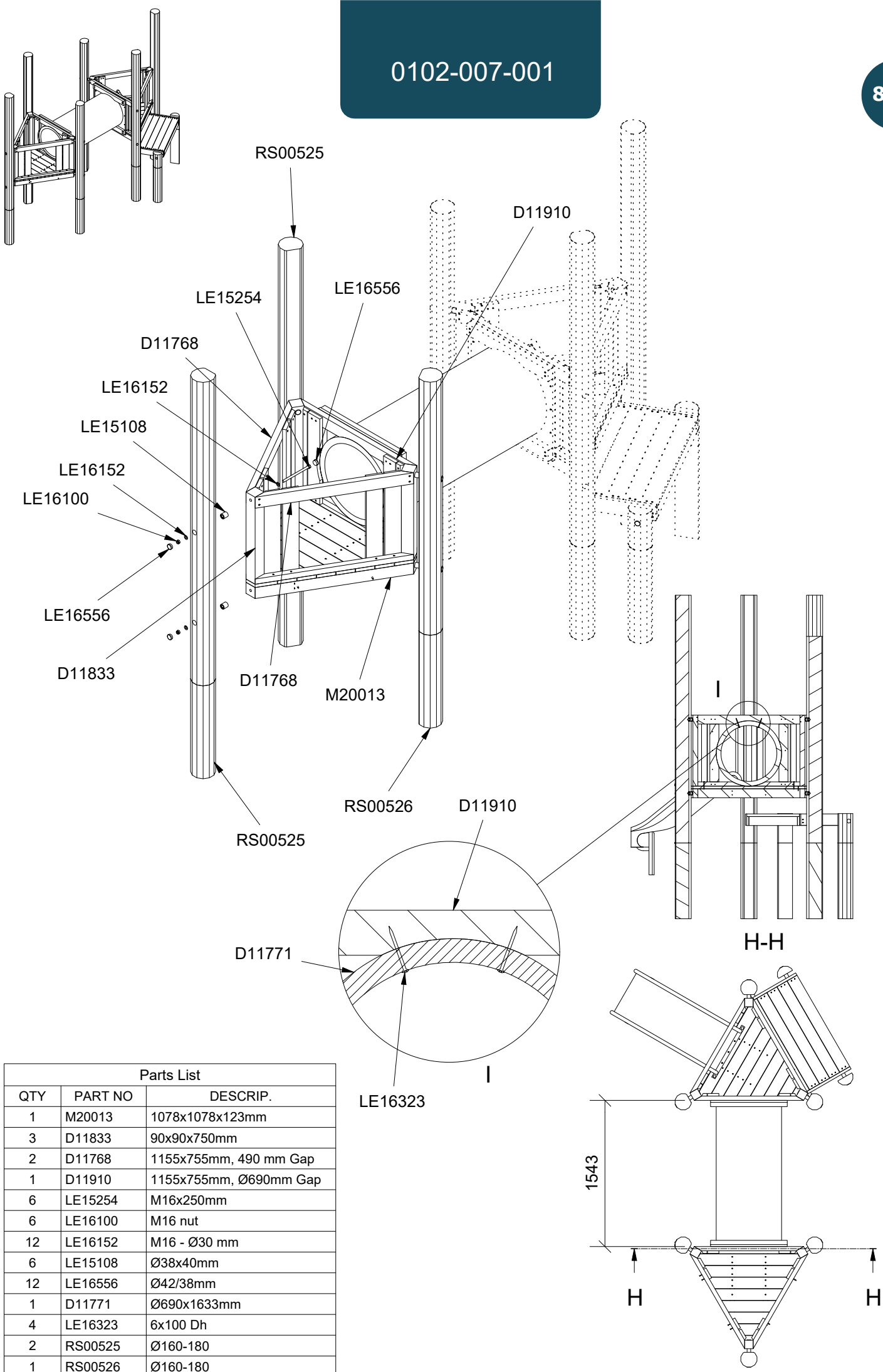


Parts List		
QTY	PART NO	DESCRIP.
1	D11453	1155x755mm, 620 mm Gap
1	D11768	1155x755mm, 490 mm Gap
3	D11833	90x90x750mm
1	D11910	1155x755mm, Ø690mm Gap
6	LE15108	Ø38x40mm
6	LE15254	M16x250mm
2	LE16022	M12x40 mm
2	LE16056	M12 cap nut
6	LE16100	M16 nut
12	LE16152	M16 - Ø30 mm
2	LE16168	M12 - Ø24 mm
3	LE16179	Ø5x30mm Ch
12	LE16556	Ø42/38mm
1	LE22002	Slide, B:500, L:1100, D:1300
1	LE99715	Ø14mm, l=200/130mm
1	M20013	1078x1078x123mm
2	RS00525	Ø160-180
1	RS00526	Ø160-180



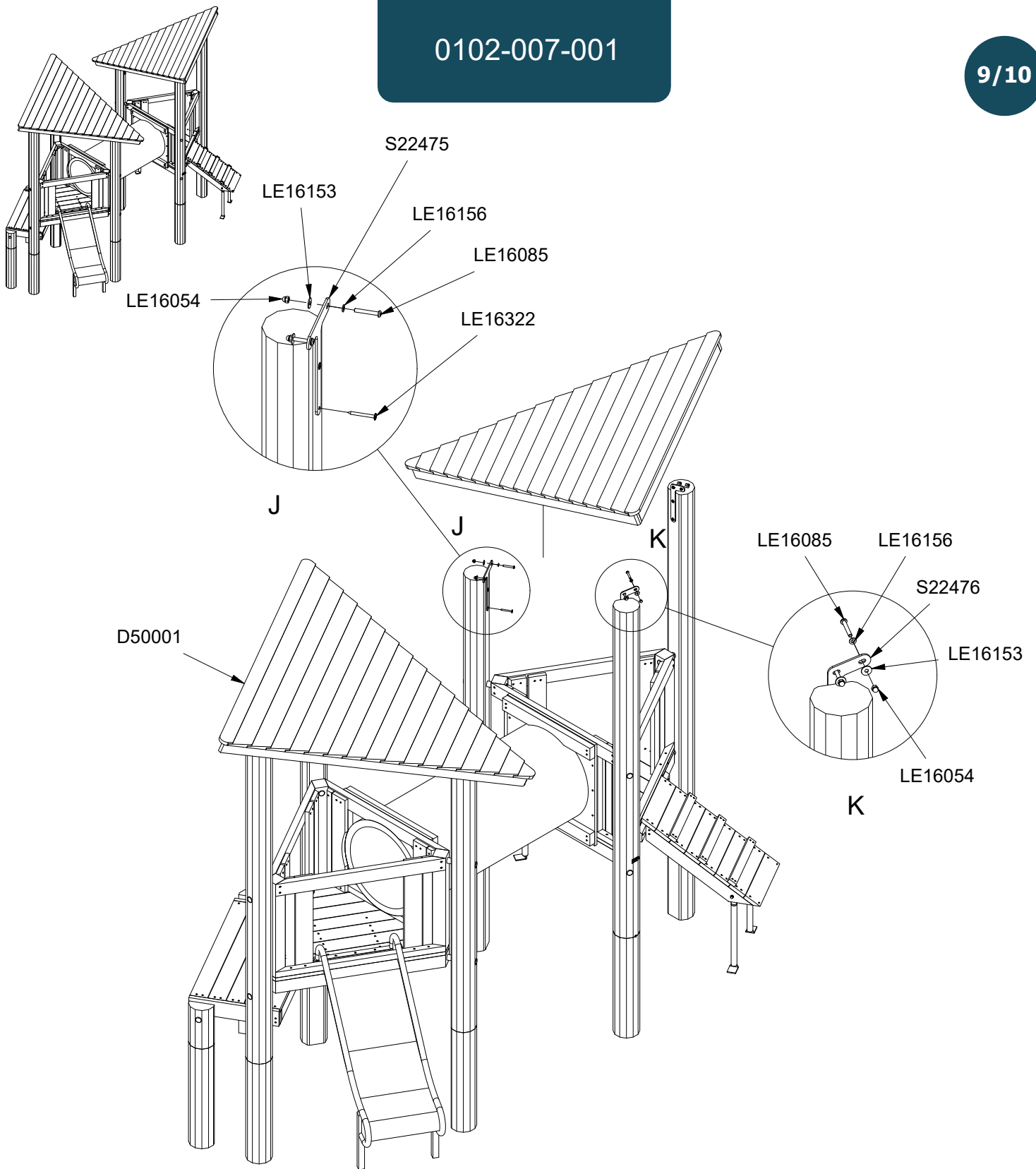


Parts List		
QTY	PART NO	DESCRIP.
1	D11917	1170x660x120mm, Half floor
4	LE15108	Ø38x40mm
2	LE15250	M16x170 mm
2	LE16100	M16 nut
4	LE16152	M16 - Ø30 mm
2	LE16298	8x180/80 Dh
4	LE16556	Ø42/38mm
2	RS00501	Ø160-180

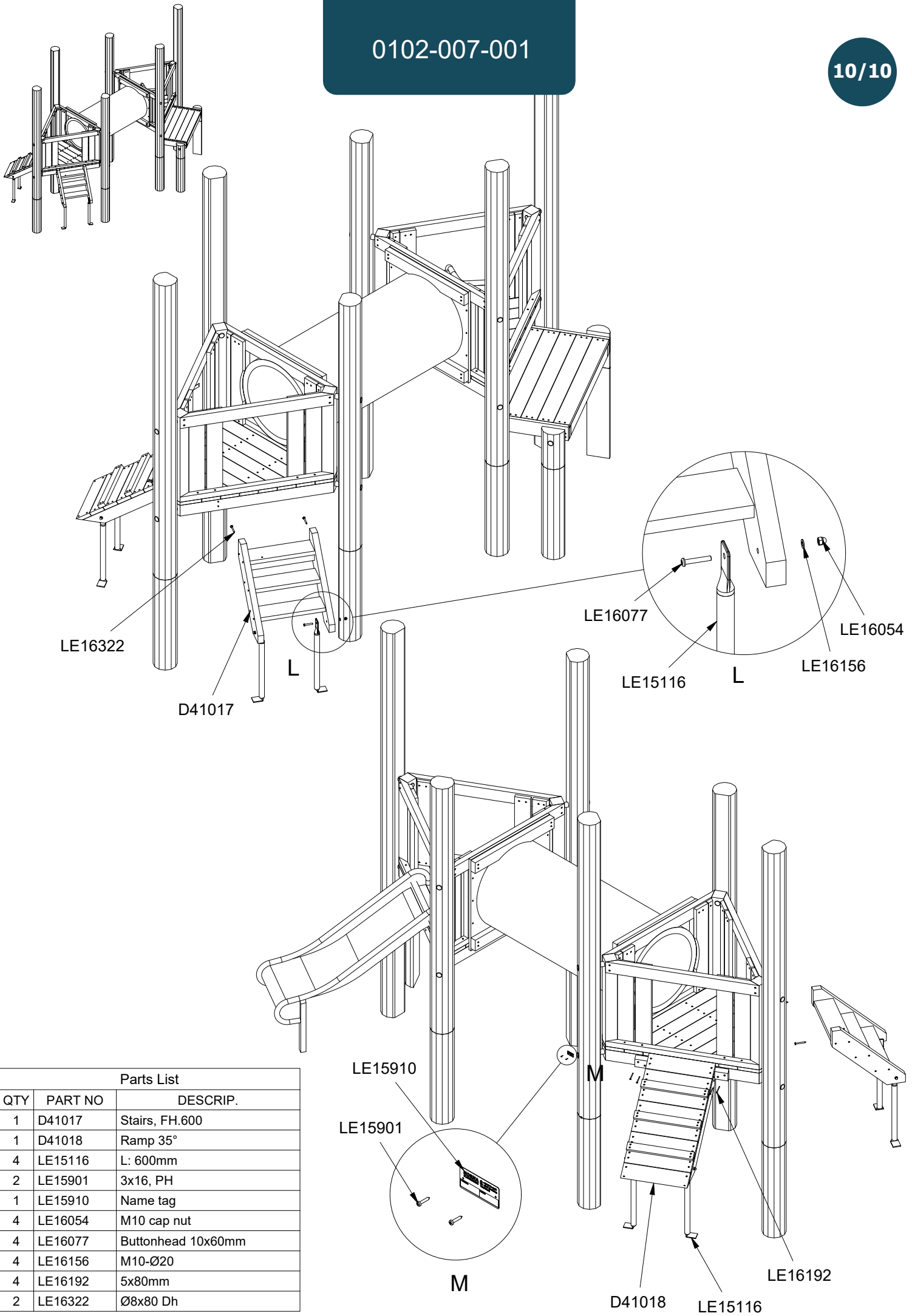


Parts List

QTY	PART NO	DESCRIP.
1	M20013	1078x1078x123mm
3	D11833	90x90x750mm
2	D11768	1155x755mm, 490 mm Gap
1	D11910	1155x755mm, Ø690mm Gap
6	LE15254	M16x250mm
6	LE16100	M16 nut
12	LE16152	M16 - Ø30 mm
6	LE15108	Ø38x40mm
12	LE16556	Ø42/38mm
1	D11771	Ø690x1633mm
4	LE16323	6x100 Dh
2	RS00525	Ø160-180
1	RS00526	Ø160-180



Parts List		
QTY	PART NO	DESCRIP.
2	D50001	Roof
12	LE16054	M10 cap nut
12	LE16085	M10x70 mm
12	LE16153	M10 - Ø29mm
12	LE16156	M10-Ø20
12	LE16322	Ø8x80 Dh
2	S22475	T - Bracket
4	S22476	Bracket



Parts List		
QTY	PART NO	DESCRIP.
1	D41017	Stairs, FH.600
1	D41018	Ramp 35°
4	LE15116	L: 600mm
2	LE15901	3x16, PH
1	LE15910	Name tag
4	LE16054	M10 cap nut
4	LE16077	Buttonhead 10x60mm
4	LE16156	M10-Ø20
4	LE16192	5x80mm
2	LE16322	Ø8x80 Dh