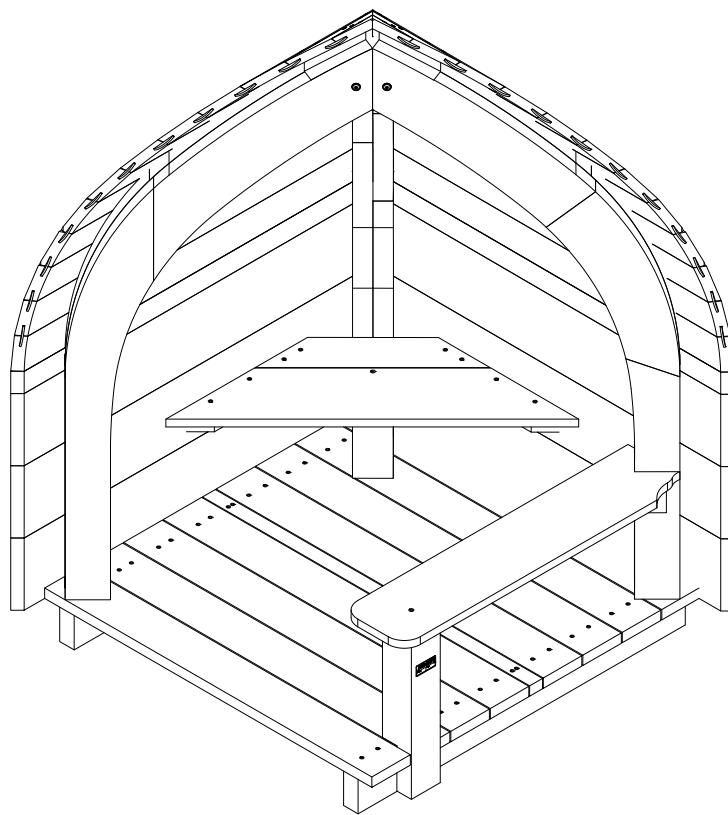
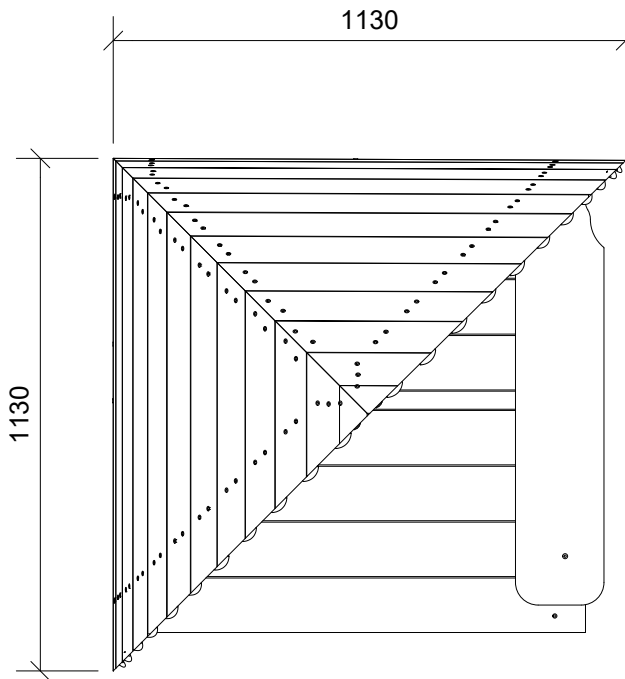
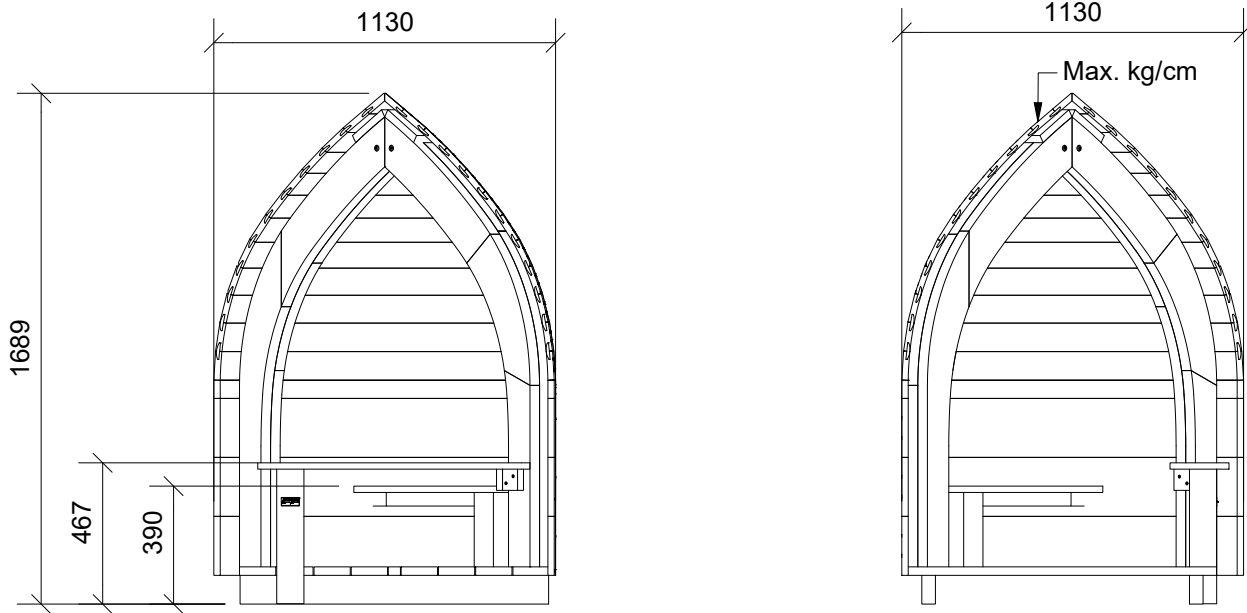


LE20097U

1/3





2



1h



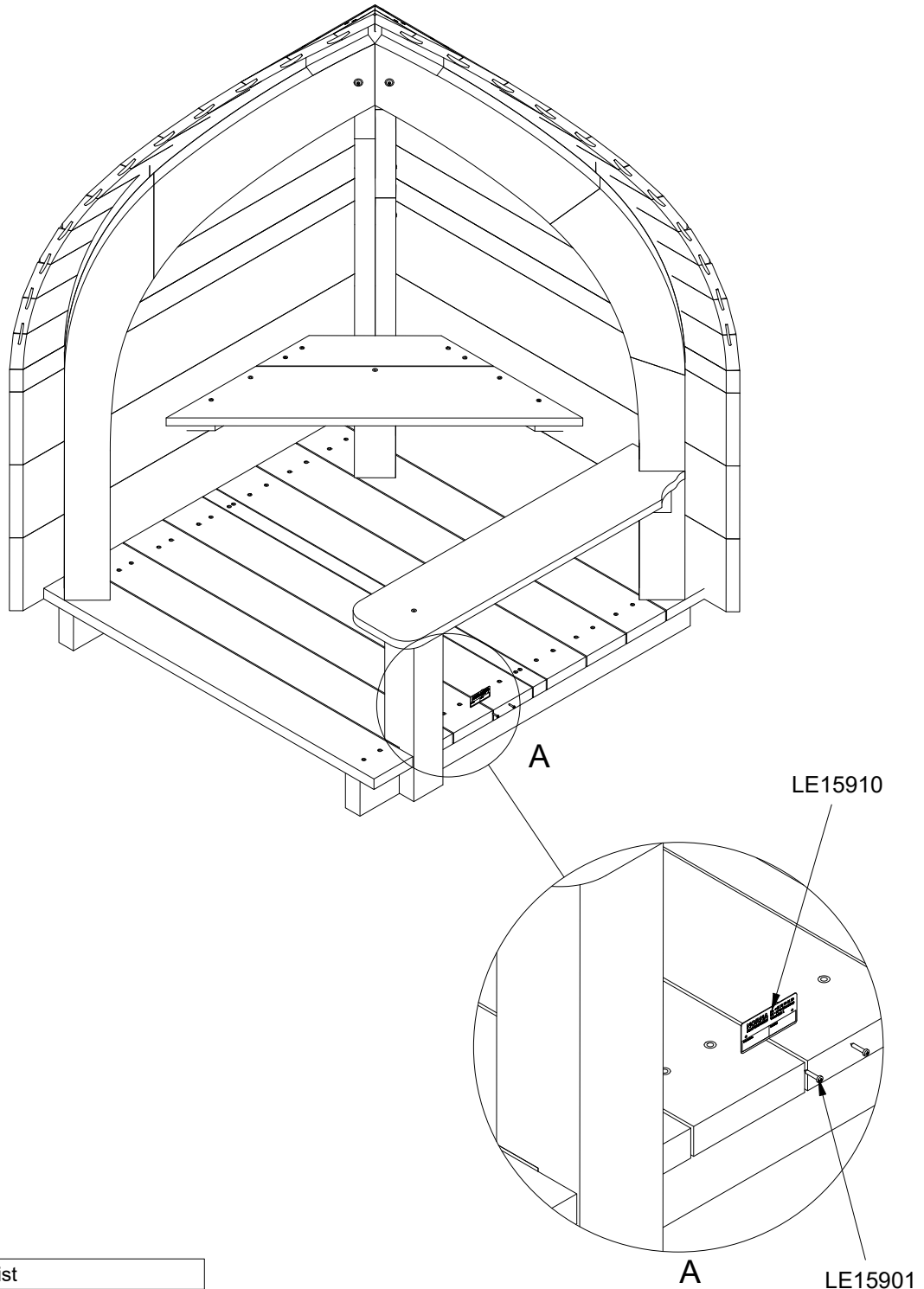
1,13 x 1,13 x 1,7 m ~100 kg



113x113x170 cm



100 kg



| Parts List |         |          |
|------------|---------|----------|
| QTY        | PART NO | DESCRIP. |
| 2          | LE15901 | 3x16, PH |
| 1          | LE15910 | Name tag |