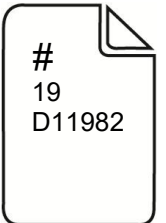
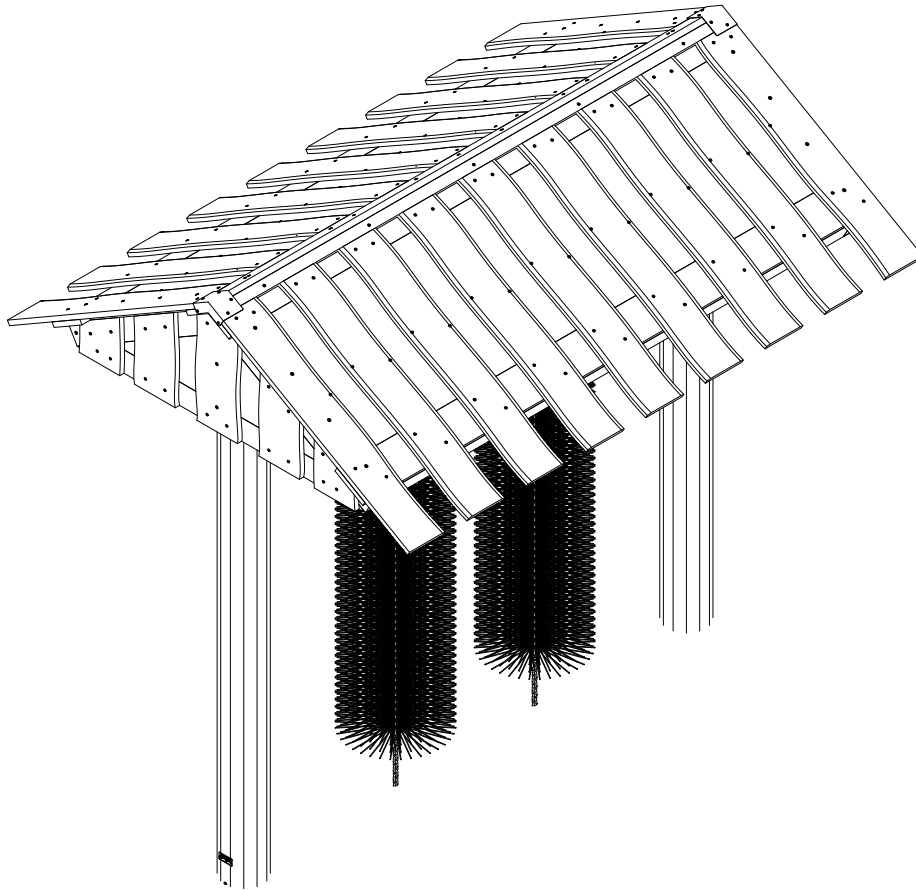
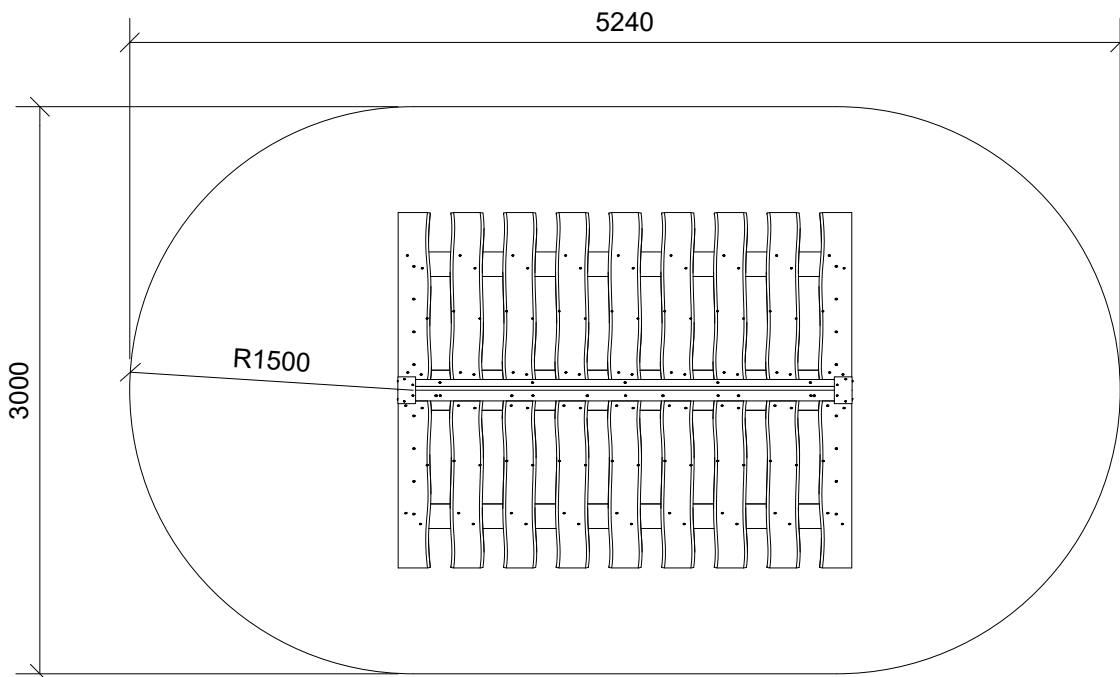
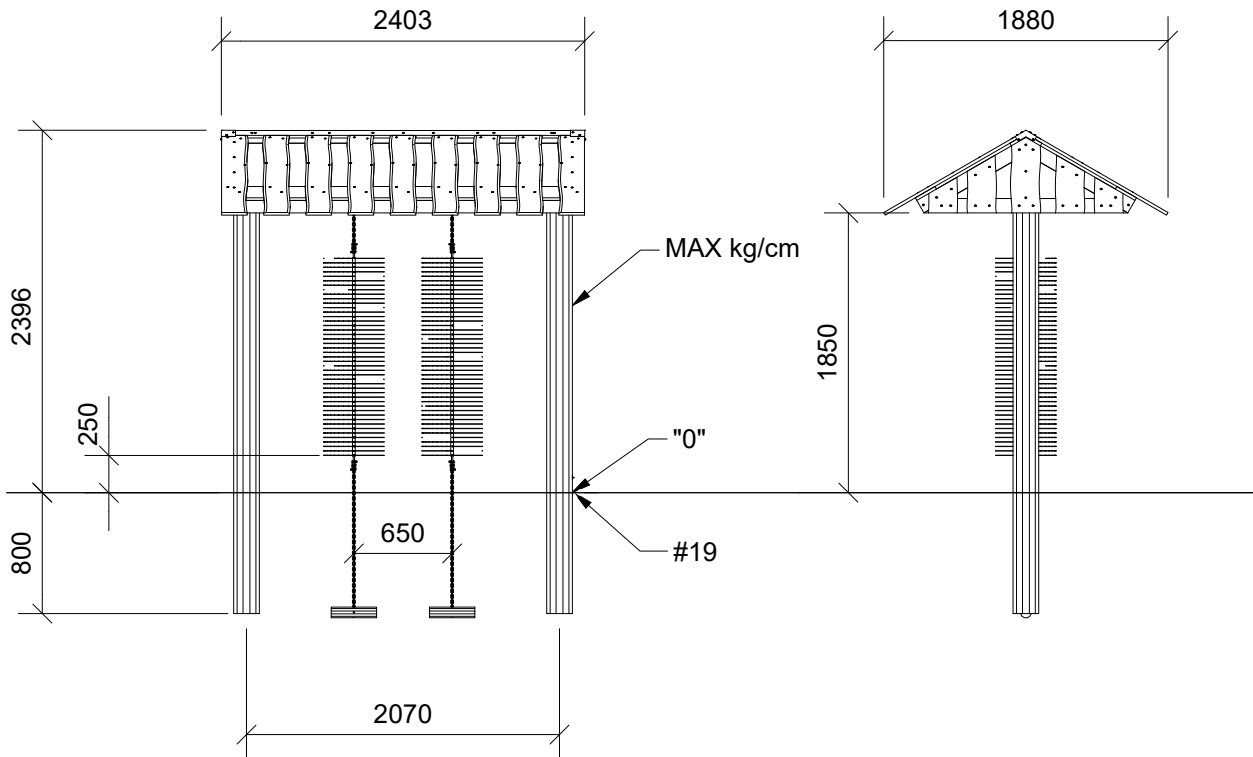


LE20093U

1/5





2



5h



14 m<sup>2</sup>



5,2 x 3,0 x 2,3 m



~434 kg



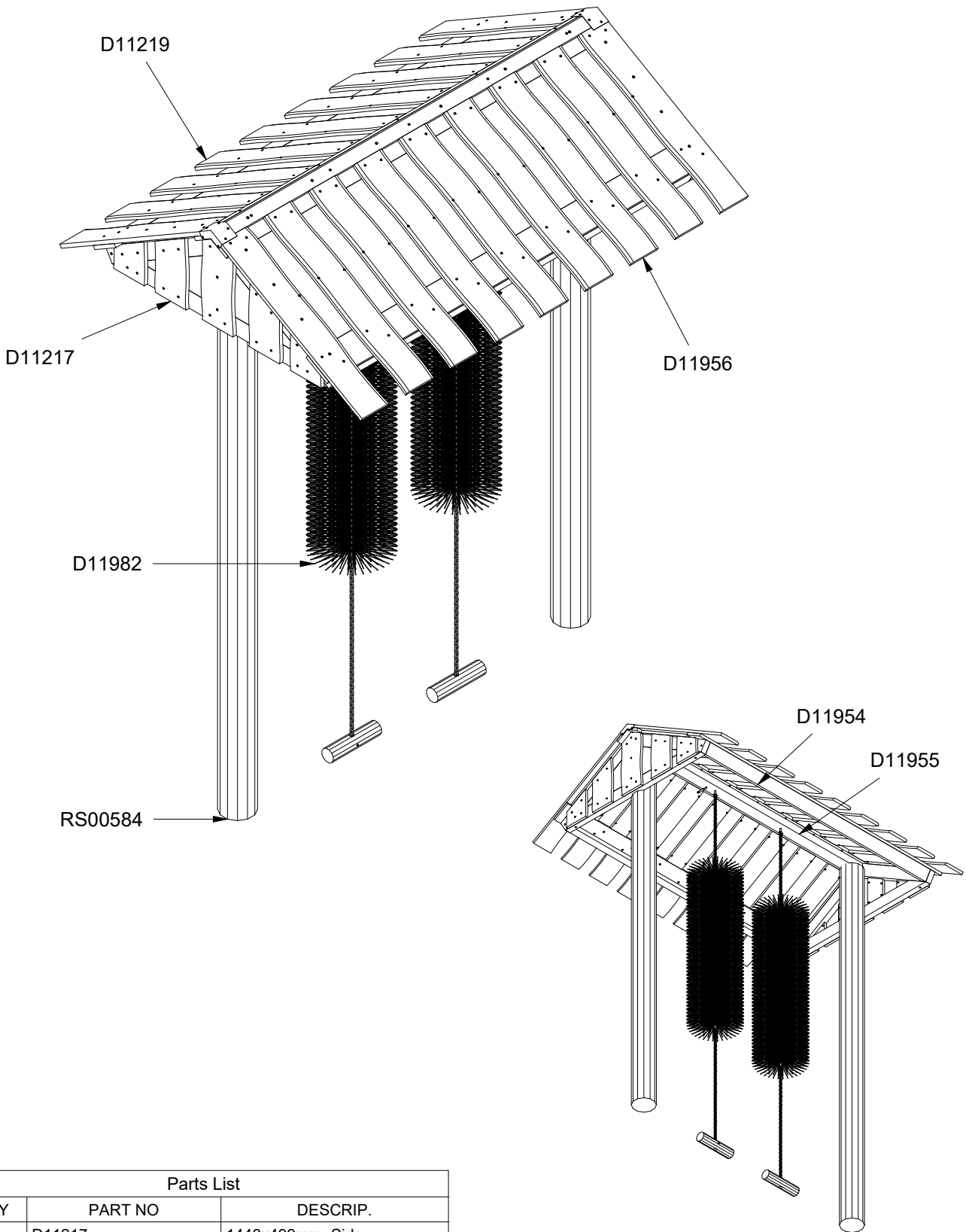
~0,08 m<sup>3</sup>



Ø17 x 300 cm

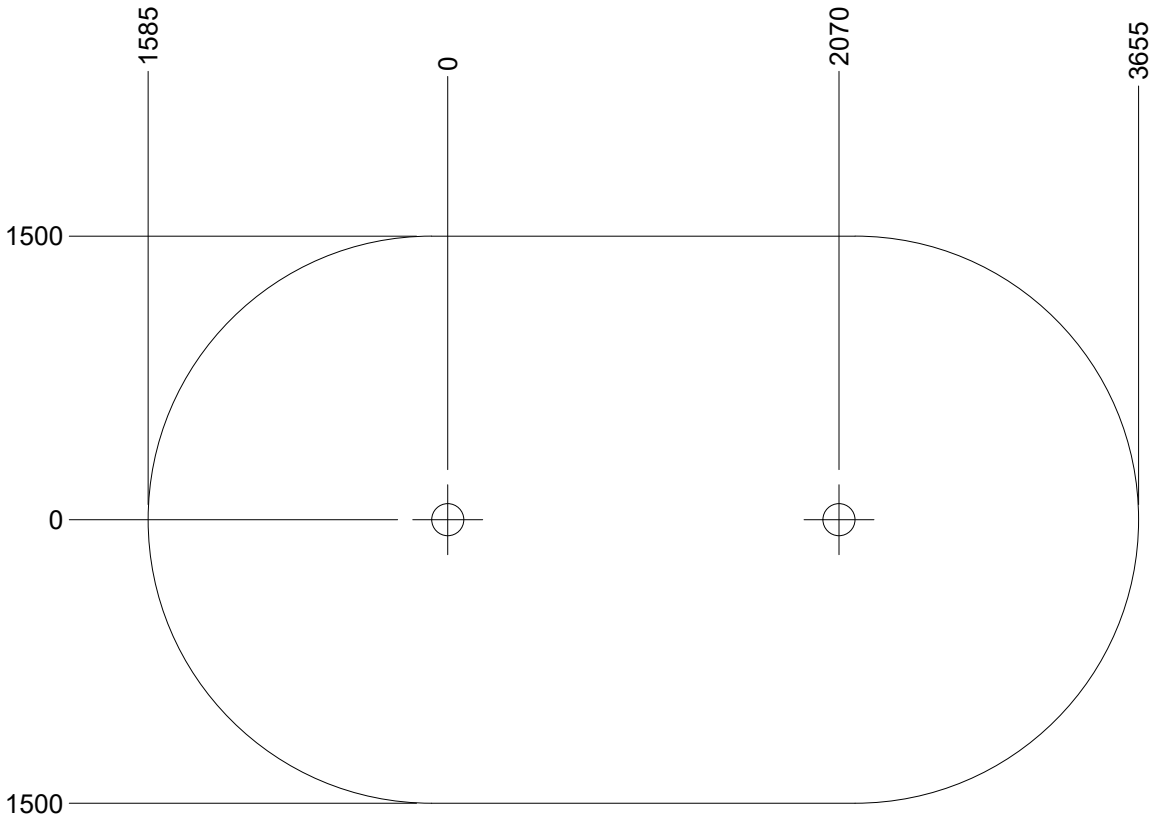
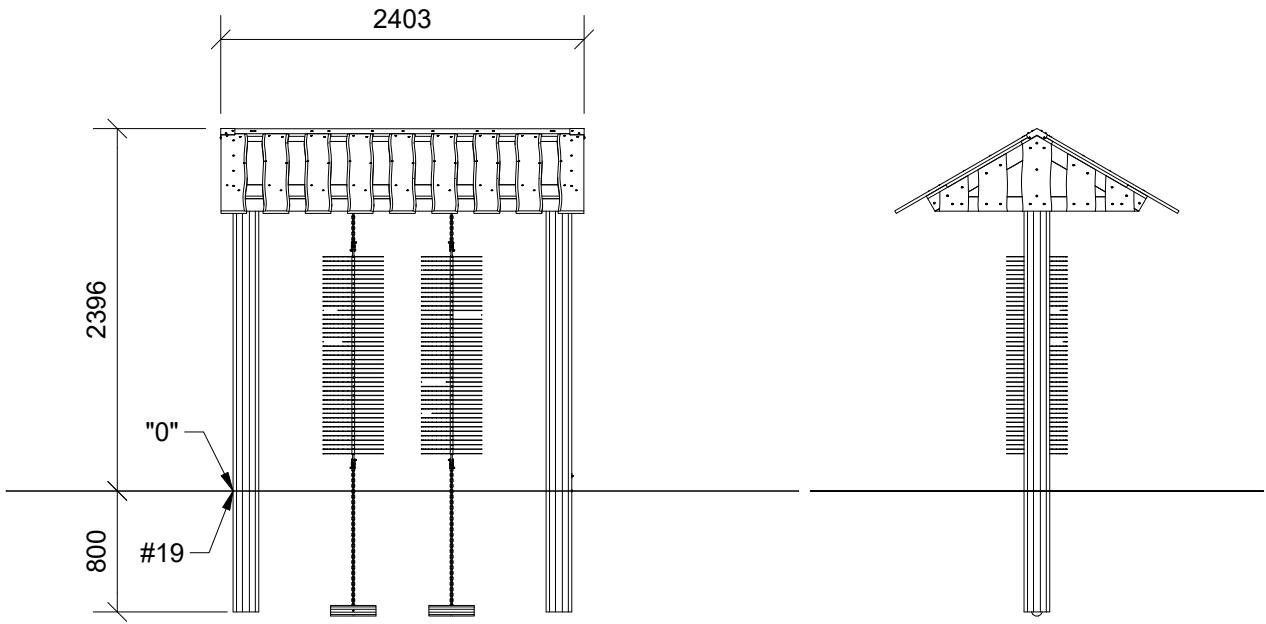


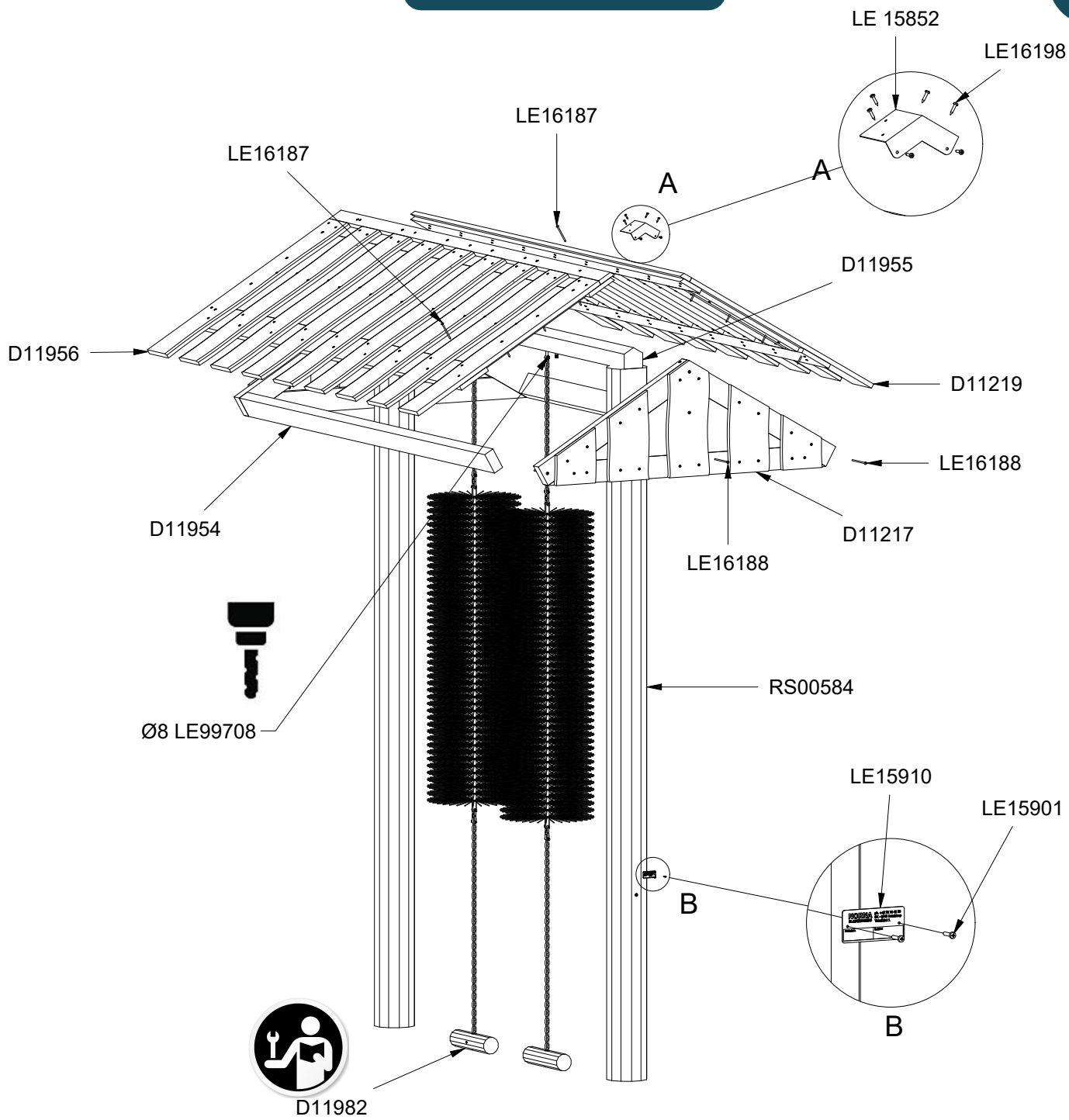
128 kg



Parts List

QTY	PART NO	DESCRIP.
2	D11217	1443x499mm, Side
1	D11219	2400x1074mm, Roof
2	D11954	2190x45mm, Beam
1	D11955	2190x90mm, Beam
1	D11956	2400x1097mm, Roof
2	RS00584	Ø160-180x3000mm
2	D11982	Ø400mm, Brush





Parts List		
QTY	PART NO	DESCRIP.
2	D11217	1443x499mm, Side
1	D11219	2400x1074mm, Roof
2	D11954	2190x45mm, Beam
1	D11955	2190x90mm, Beam
1	D11956	2400x1097mm, Roof
2	LE 15852	Bracket
2	LE15901	3x16, PH
1	LE15910	Name tag
22	LE16187	Ø6x80mm
10	LE16188	6x120
12	LE16198	4x20mm PH
1	LE16320	6x50 Dh
2	RS00584	Ø160-180x3000mm
2	D11982	Ø400mm, Brush
1	LE99708	Ø8mm, l=170/100 mm