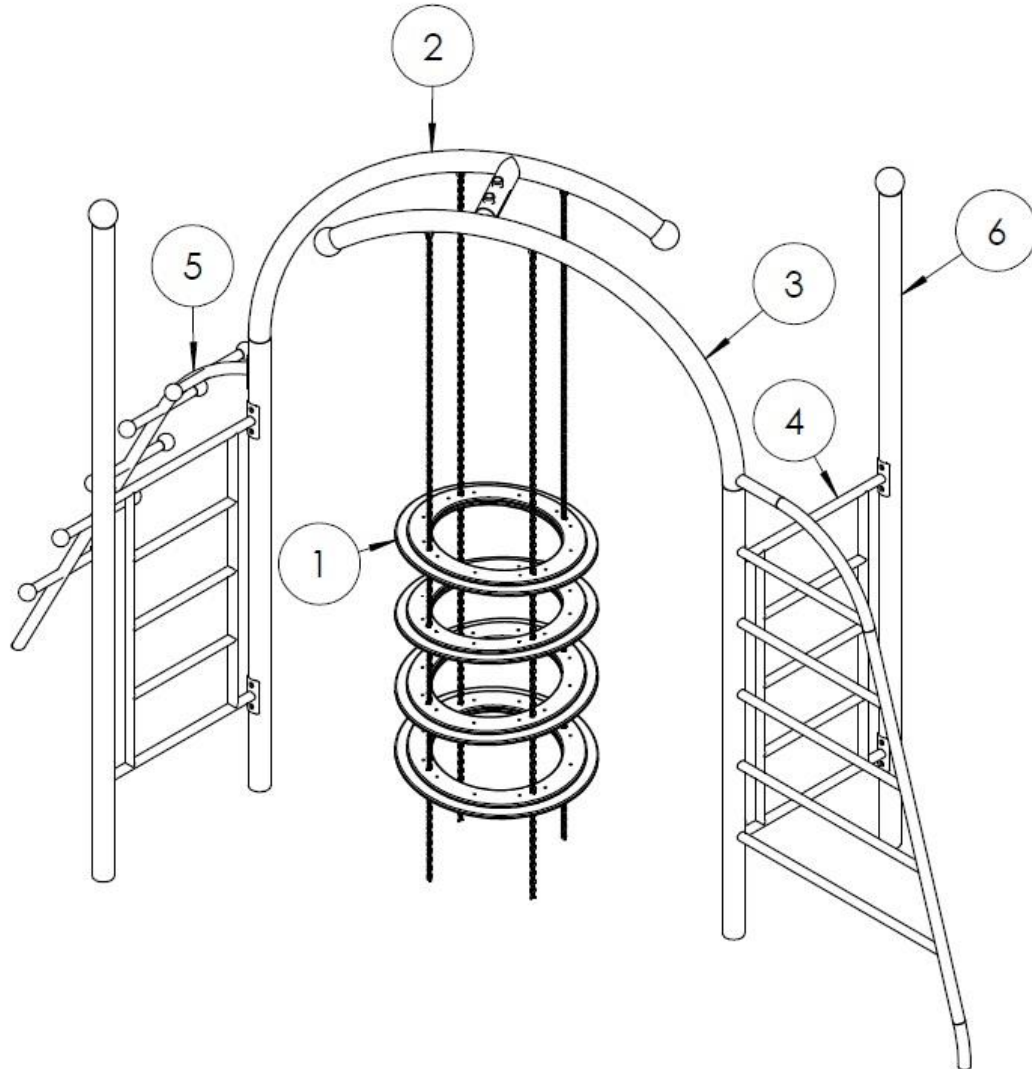


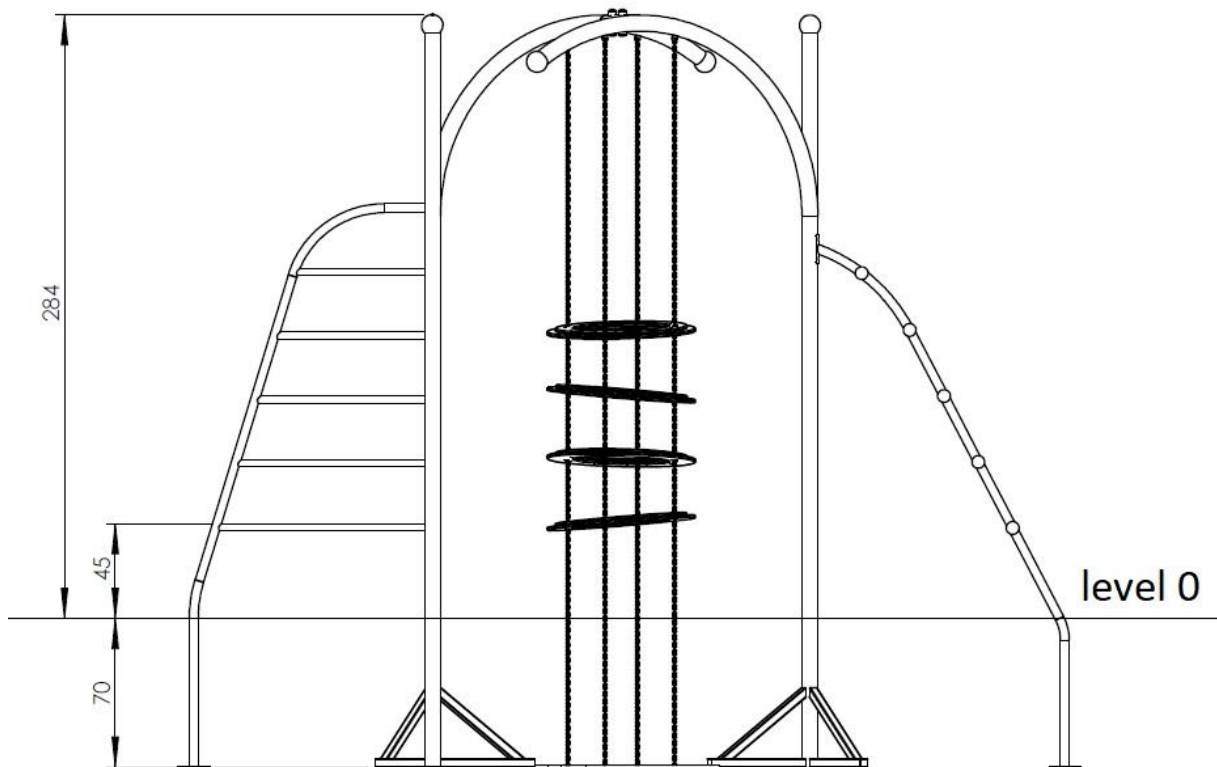
Installation guide K702 ESKALO 2



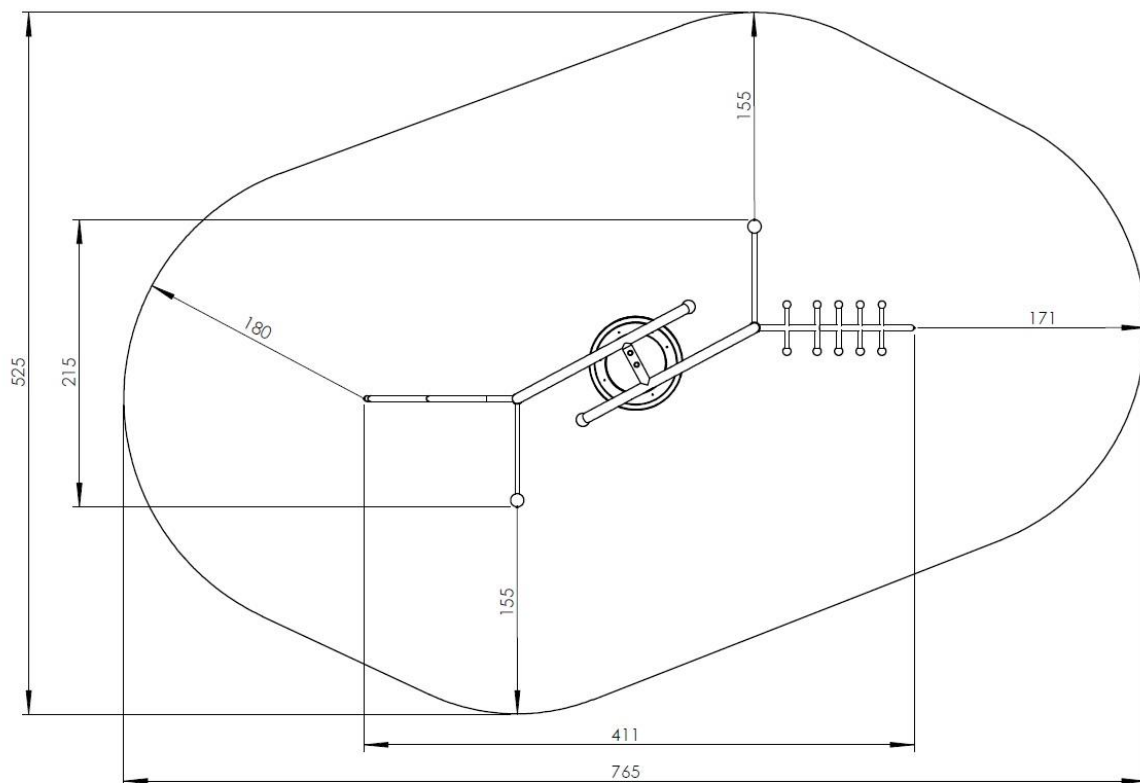
List of parts for installation:

Part	Part's number	Quantity
1	Hoops Eskalo 2	1
2	Frame 1 of the hoop	1
3	Frame 2 of the hoop	1
4	Ladder Eskalo	2
5	Arch ladder	1
6	Post Eskalo 2	2

Marking of foundation depth:



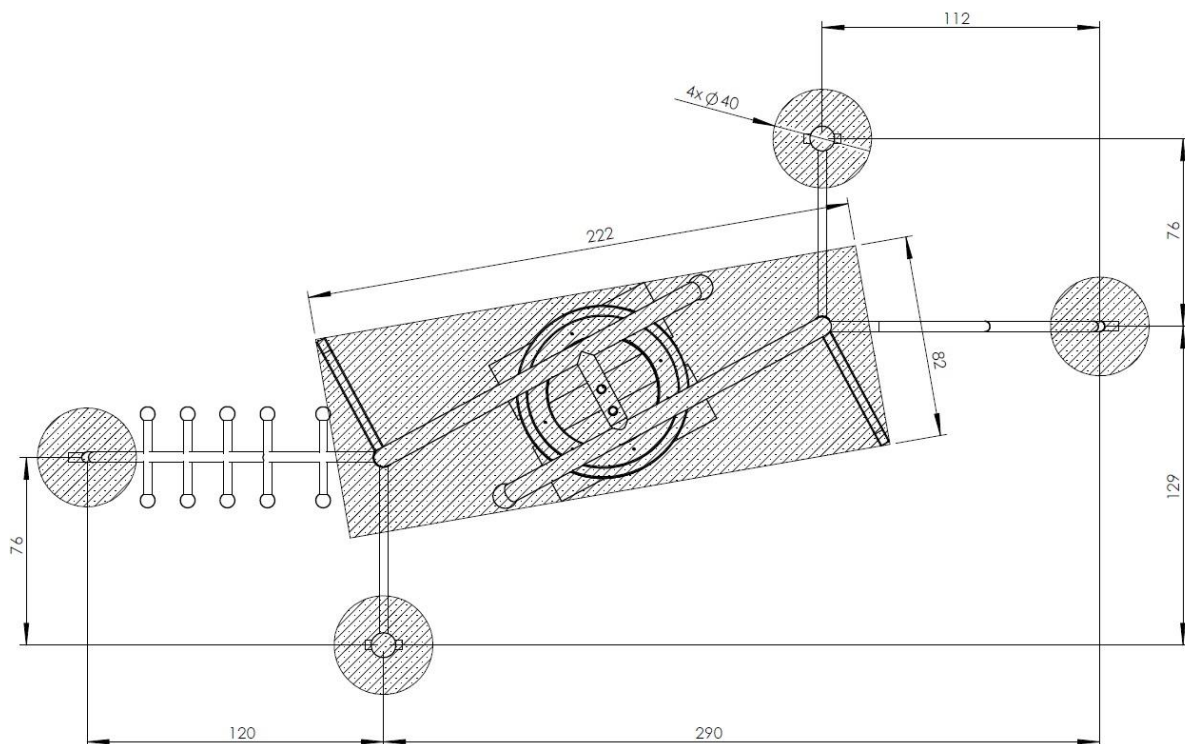
Marking of the safety zone:



Order of installation:

1. Marking of installation holes.
2. Embed the elements into installation holes.
3. Install: frames of hoops, ladders and posts.
4. Install hoops of Eskalo 2.
5. Filing with concrete.

Location of installation hole (foundation blocks):



Comment:

The height of block foundations – 30 cm (for the elements which are anchoring 70 cm into the ground).