



N°		
1	0.6 m	15 m ²

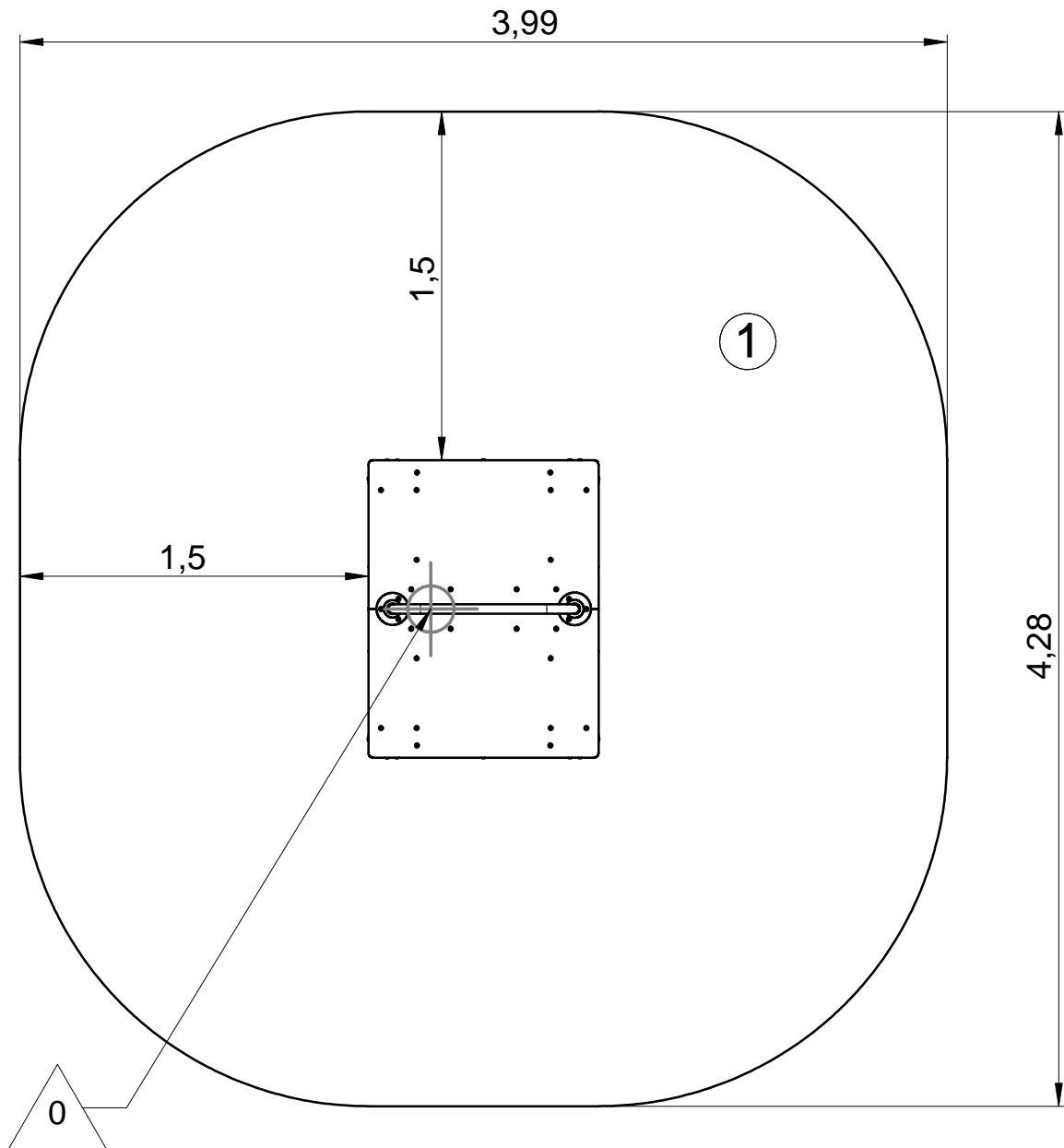
— Zone d'impact
Impact area
Area de impacto
Fallraum
Valzone

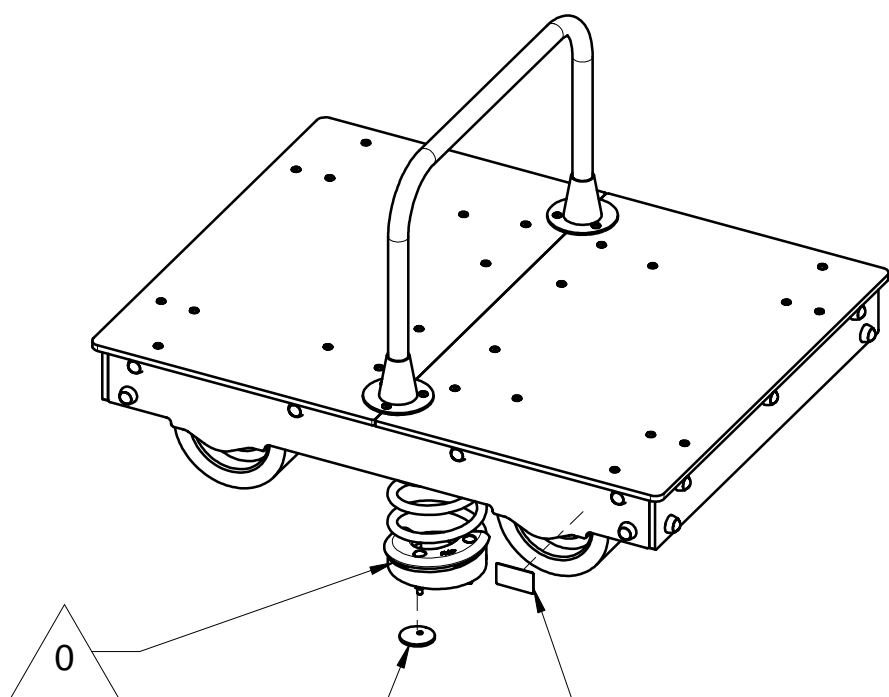


Point de référence
Setting out point
Punto de referencia
Bezugspunkt
Referentiepunt

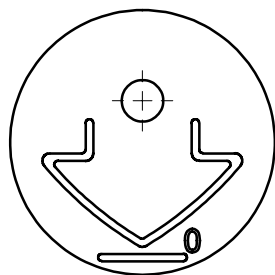
- - - Espace libre
Free space
Espacio libre
Freiraum
Vrije ruimte

EN1176-1:2017
EN1176-6:2017

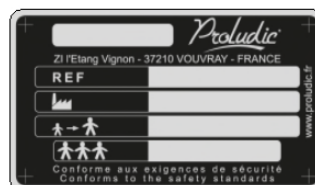




MI0002

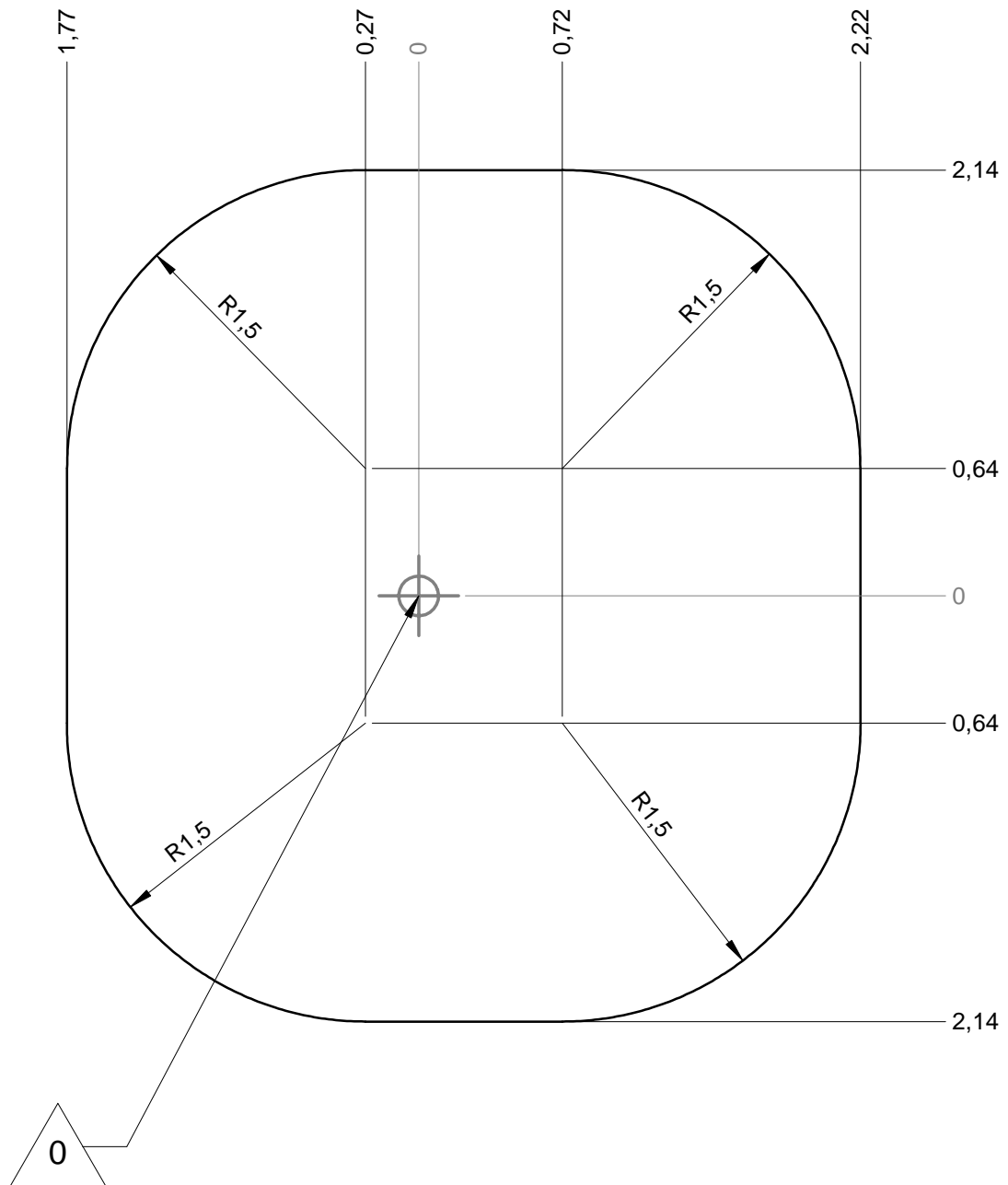


LA000



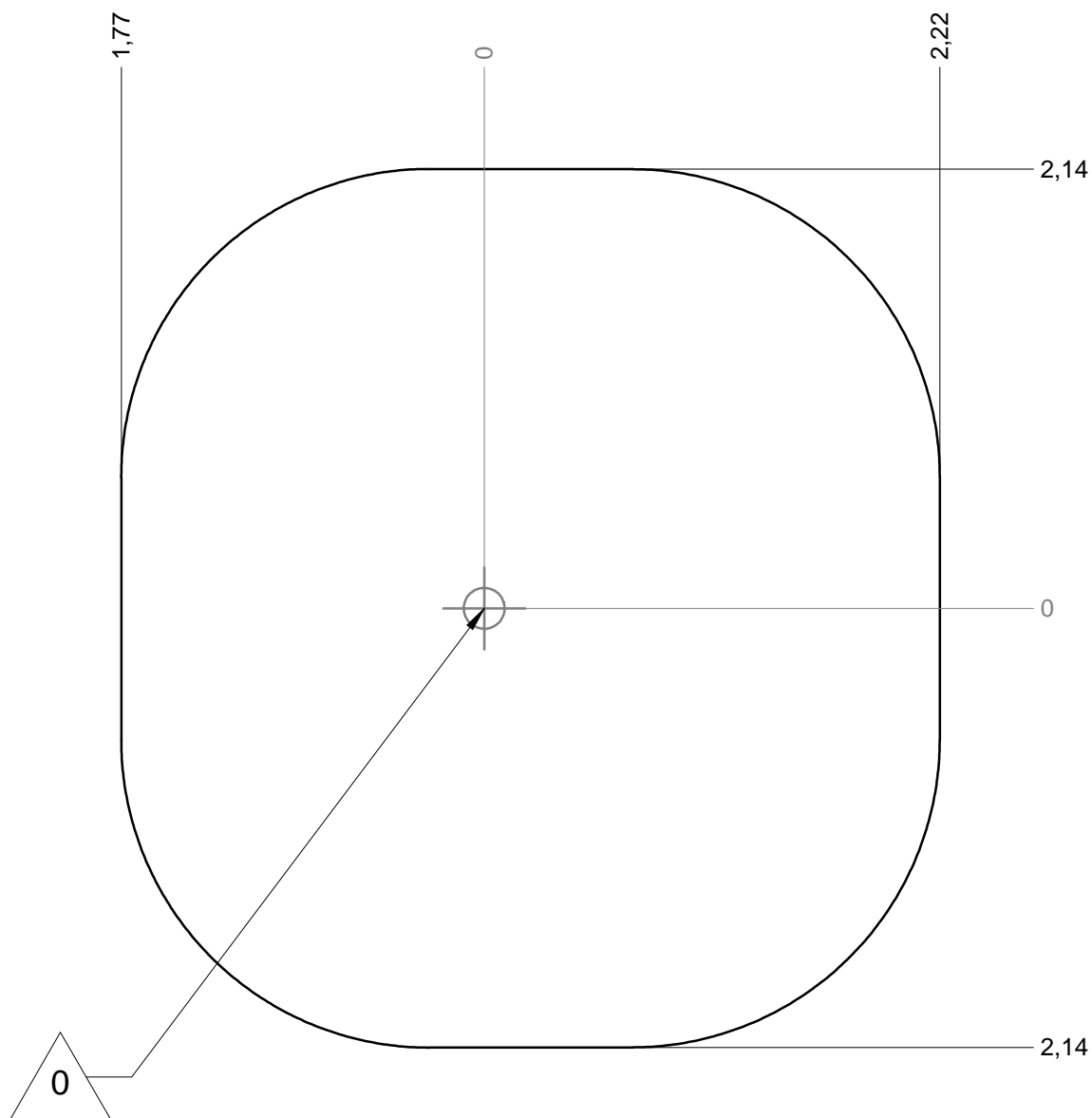
— Zone d'impact
 Impact area
 Area de impacto
 Fallraum
 Valzone

15 m²



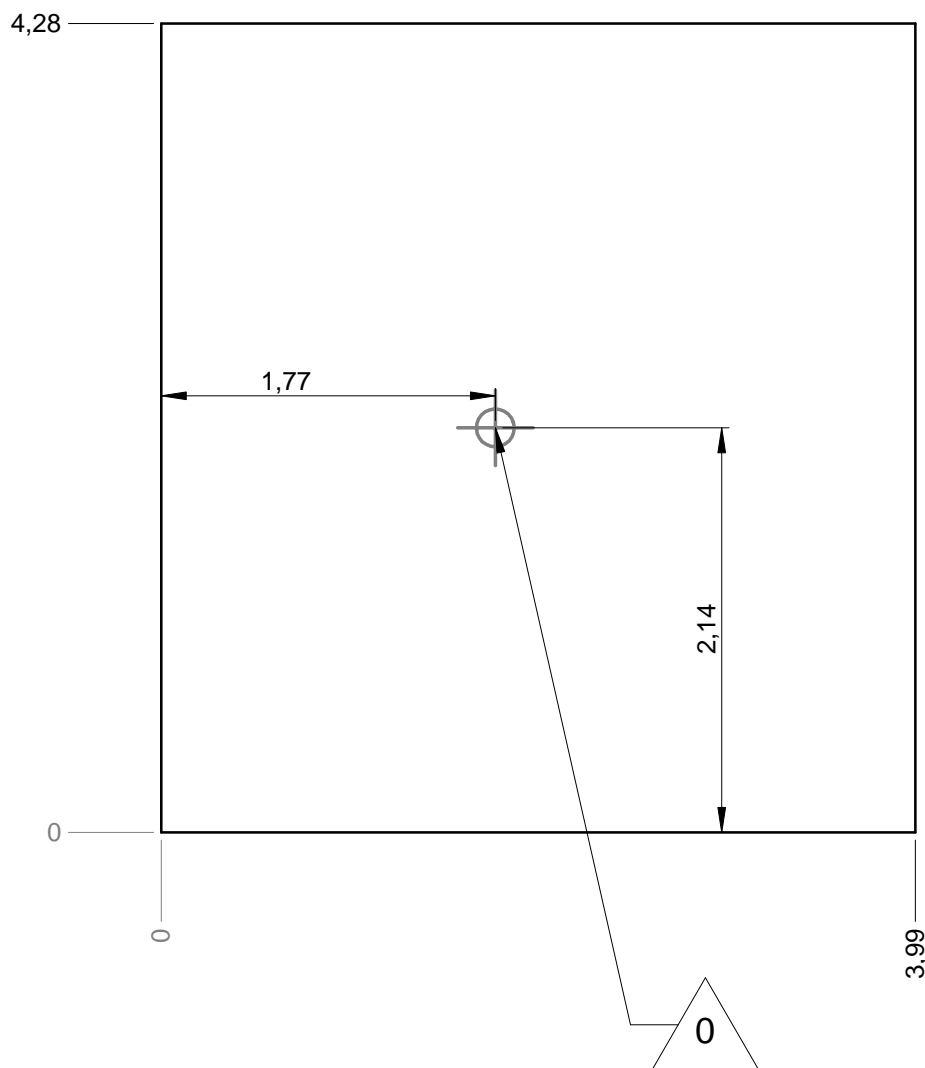
— Sol souple
Wetpour
Caucho continuo
Synthetischer Fallschutz
Gietvloer

15 m²

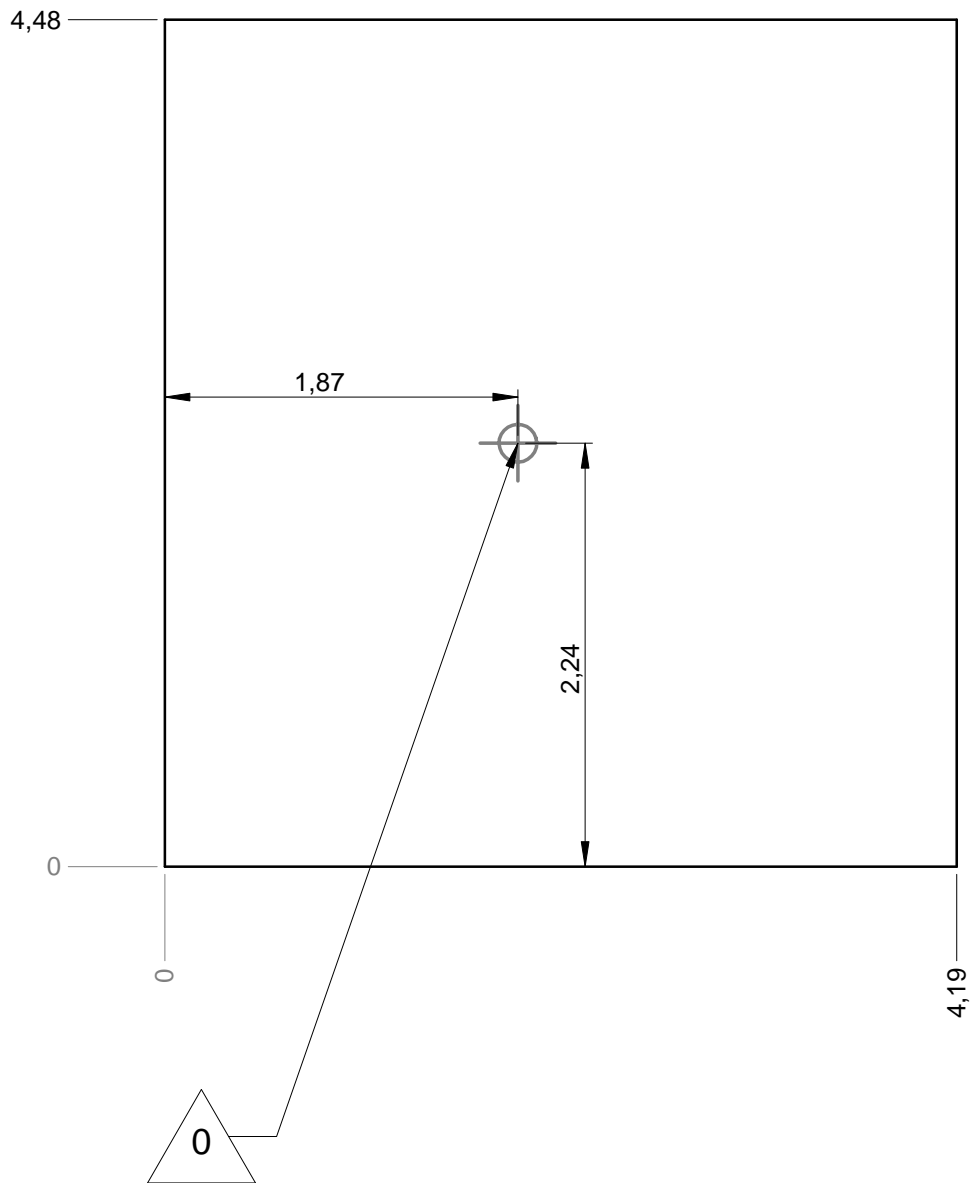


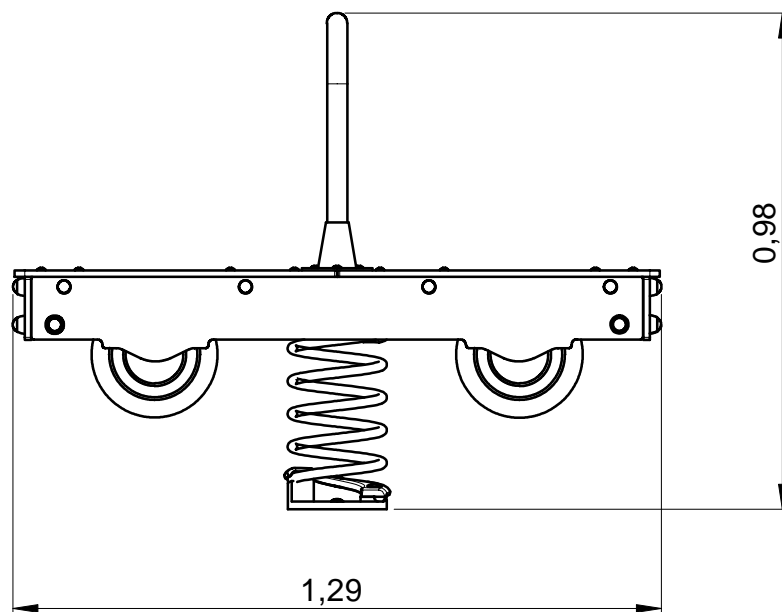
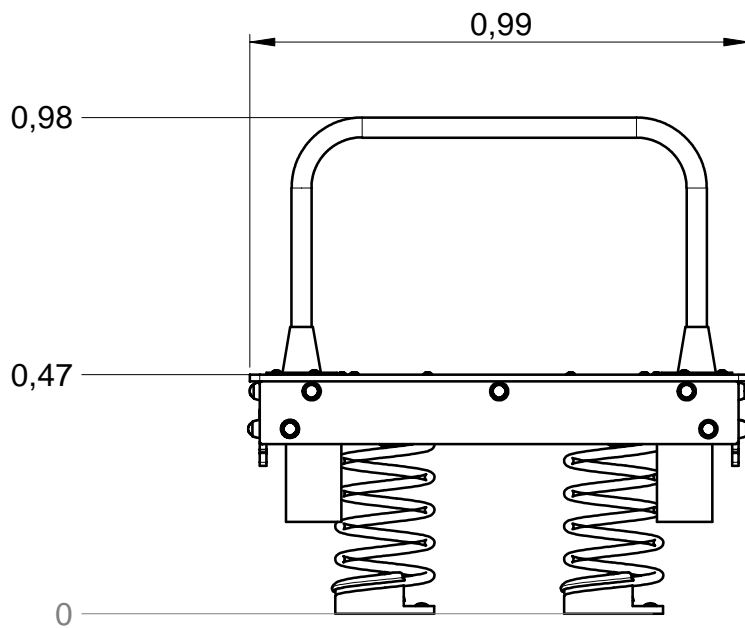
— Dalle béton
Concrete pad
Solera de hormigon
Beton Bodenplatte
Betonnen bodemplaat

17 m
17 m²



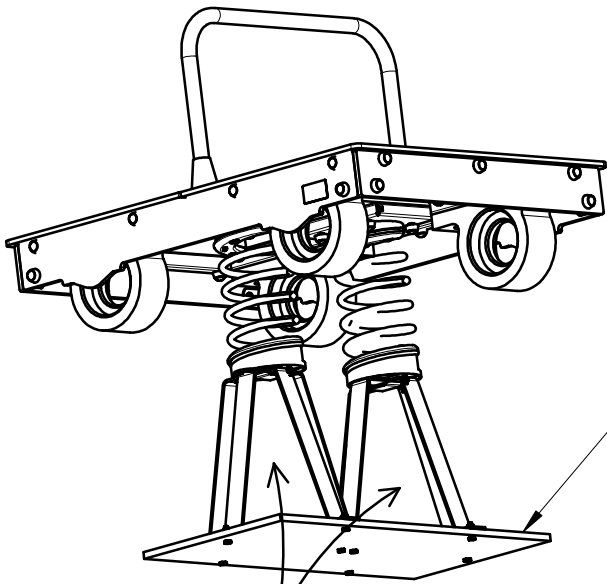
— Sol fluent
Loos partucule material 18 m
Arenero
Loses Bodenmaterial 19 m²
Los bodemateriaal



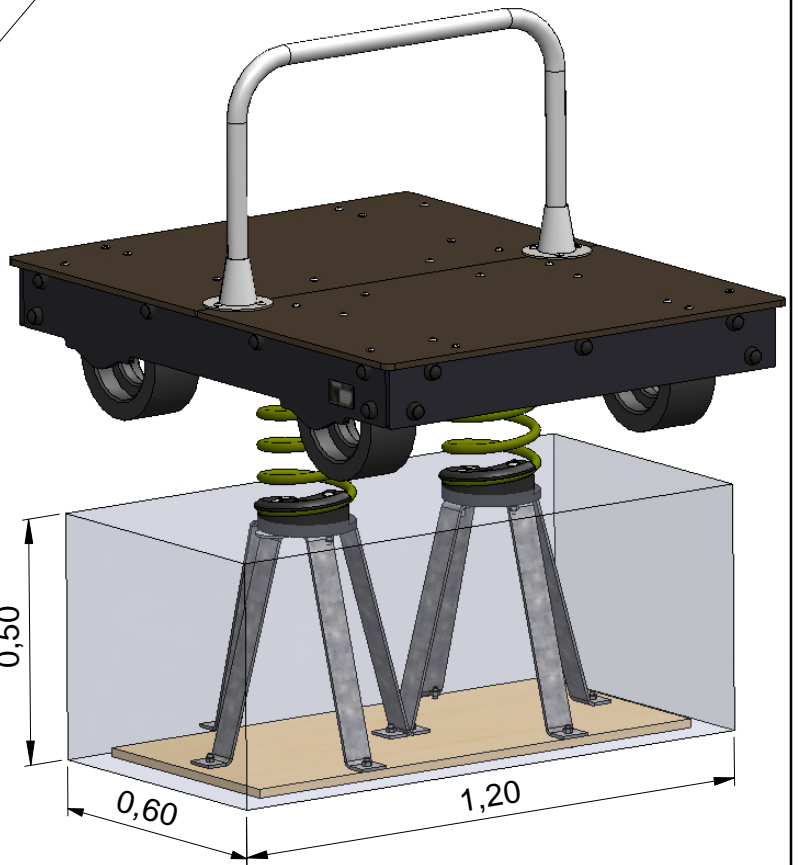


J953A

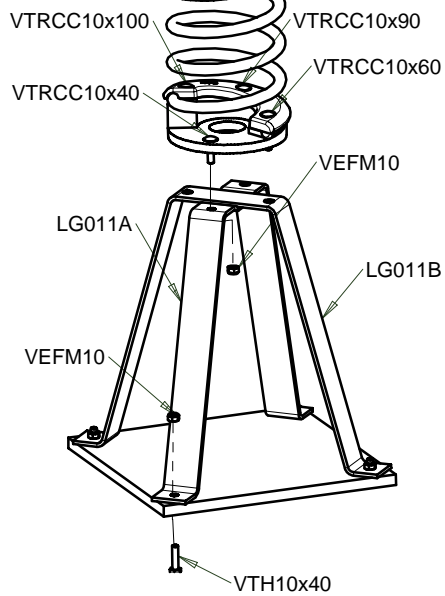
ProLudic



EHS830

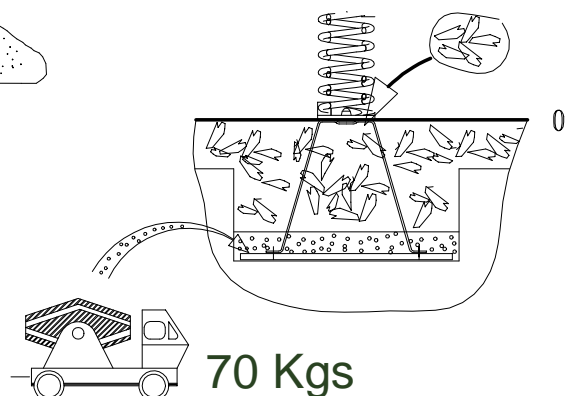
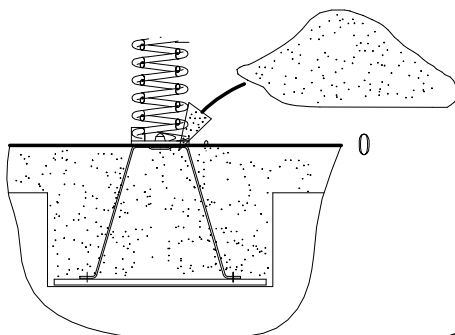
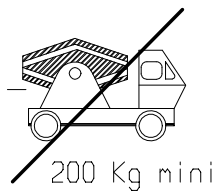


x2



 > 1500 Kgs/M³

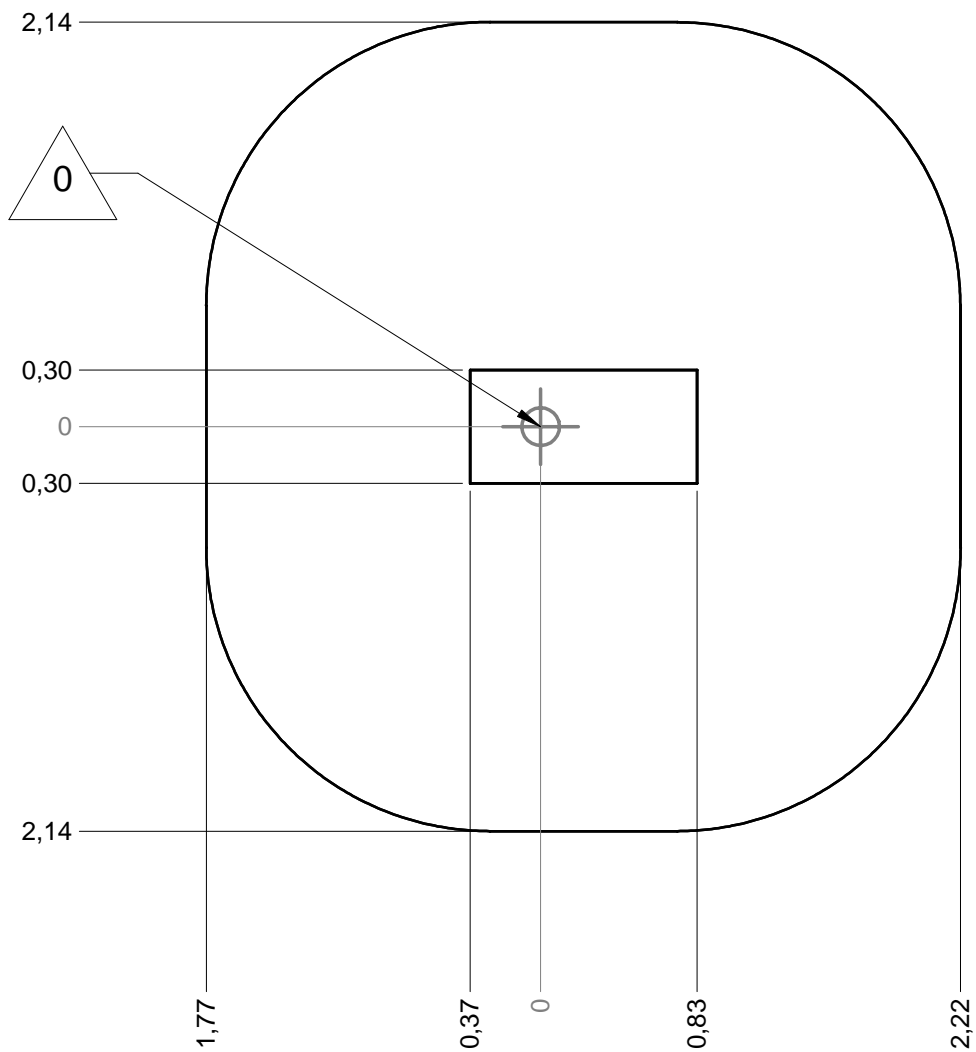
 < 1500 Kgs/M³

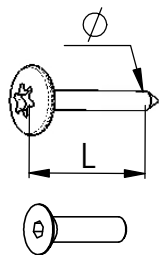


J953A

ProLudic

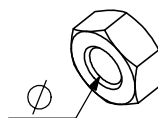
Implantation
Footing plan
Implantación
Fundamentplan
Funderingstekening





VBT 6 x 30
 \varnothing L (mm)

VFHC



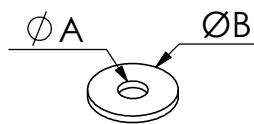
VEC M10
 \varnothing



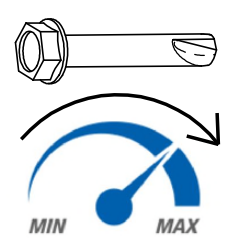
VEF



VEB




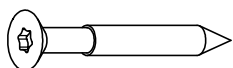
VR6x18
 $\varnothing A$ $\varnothing B$



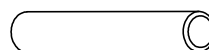
1000 - 1800 RPM
 Vitesse de rotation
 Rotation speed

< 14 N.m
 Couple de rupture
 Breakage torque

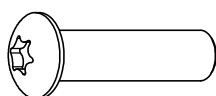




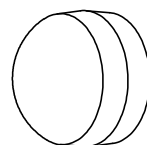
VWT



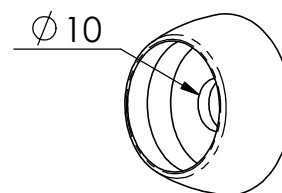
VGC



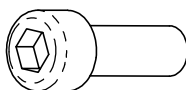
VCBHC



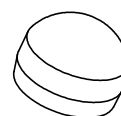
M10 440N



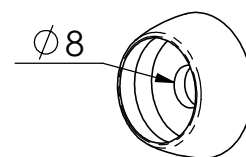
M10 310 N



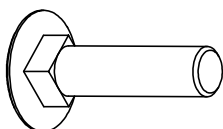
VBTR



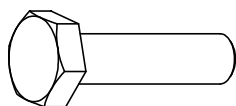
M8440N



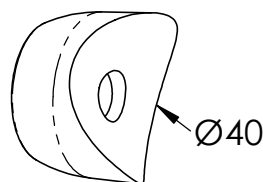
M8310N



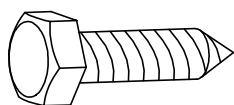
VTRCC



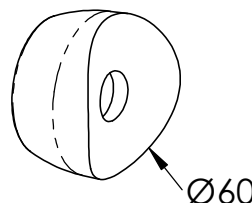
VTH



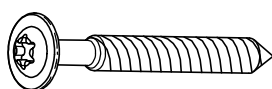
MI2503



VTF

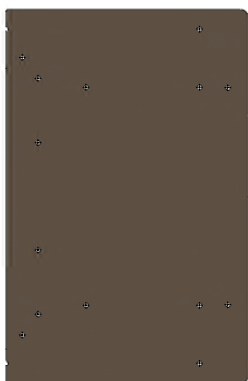


MI2701

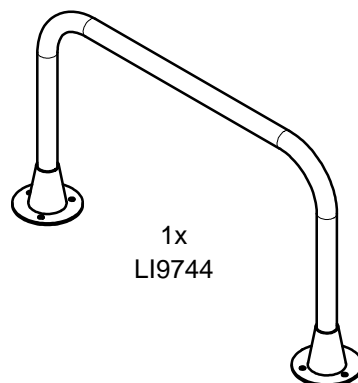
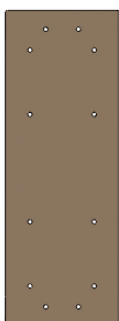


VBT

2x
FT95000



1x
FT95001

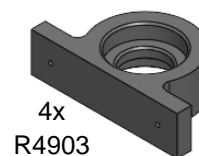


1x
LI9744

2x
ET99182

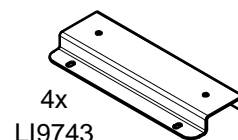


4x
P13



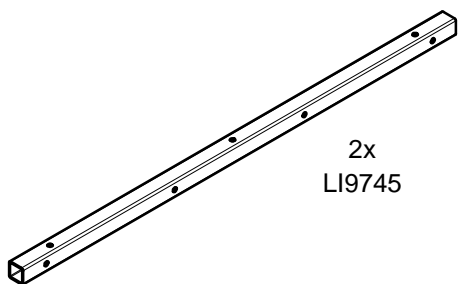
4x
R4903

2x
ET99181



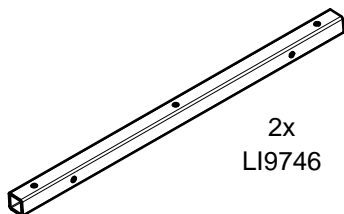
4x
LI9743

2x
LI9745



2x
LG011B

2x
LI9746

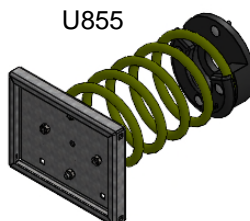


2x
LG011A

1x EHS830

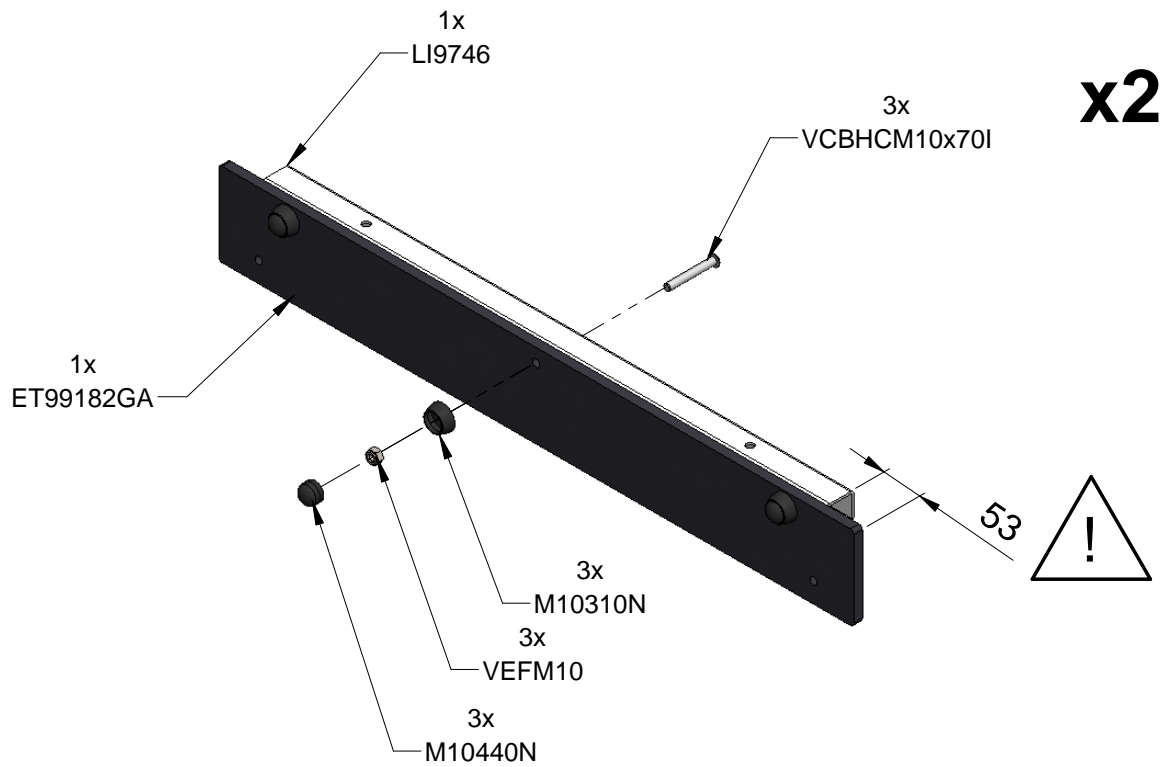


2x
U855

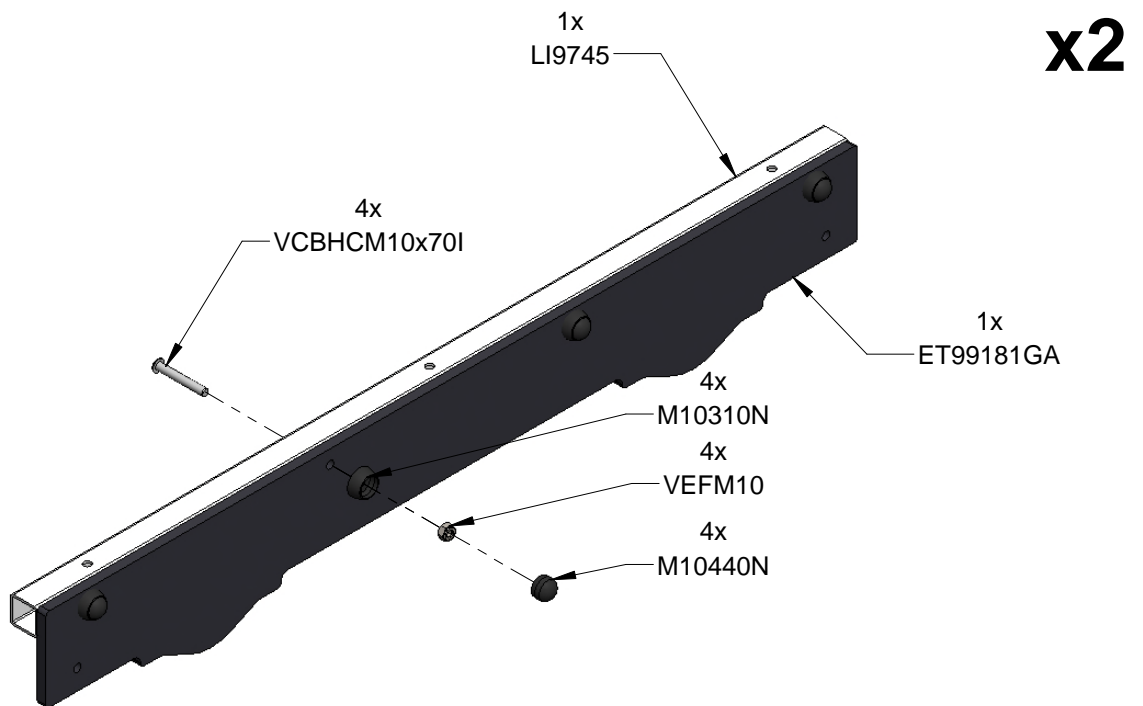


Réf	Qté
EHS830	1
ET99181GA	2
ET99182GA	2
FT95000	2
FT95001	1
LA000	1
LG011A	2
LG011B	2
LI9743	4
LI9744	1
LI9745	2
LI9746	2
M11	8
M10310N	52
M10440N	52
MI0002	1
P13	4
R4903	4
U855VX	2
VCBHCM10x30I	16
VCBHCM10x50I	4
VCBHCM10x60I	8
VCBHCM10x70I	24
VCBHCM10x80I	8
VEFBM10	8
VEFM10	60
VR10x40	8
VTH10x40	8

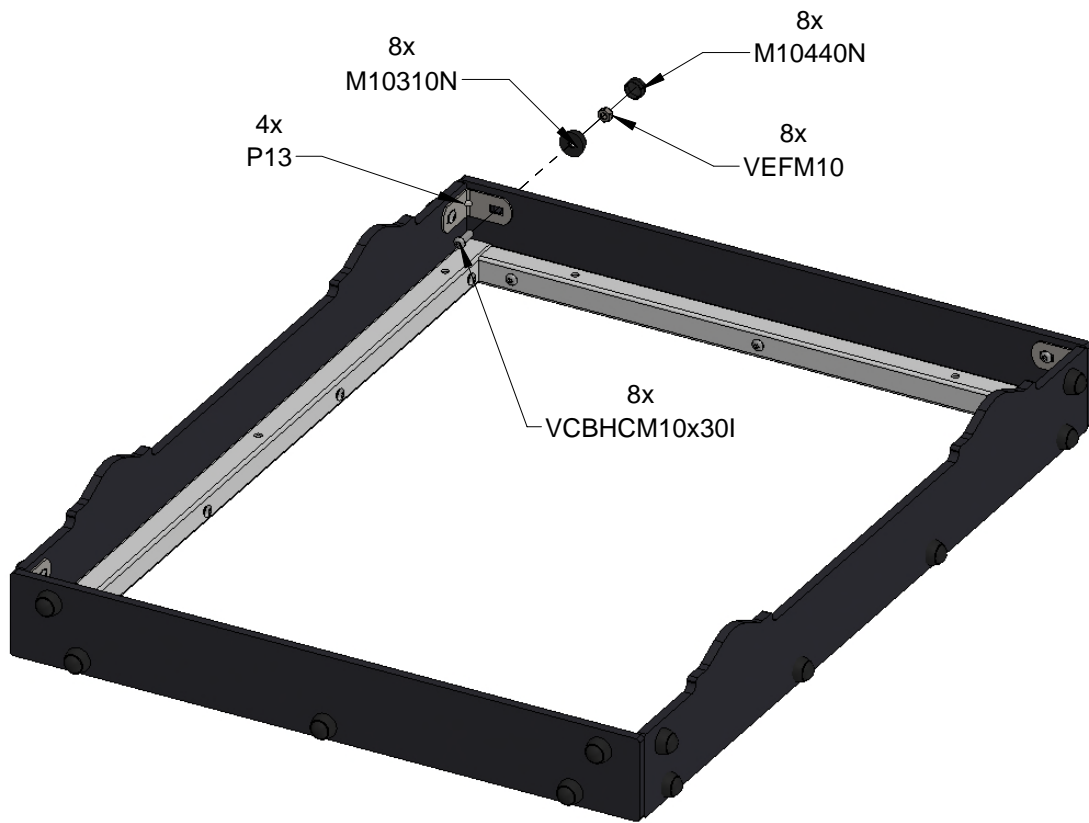
1)



2)

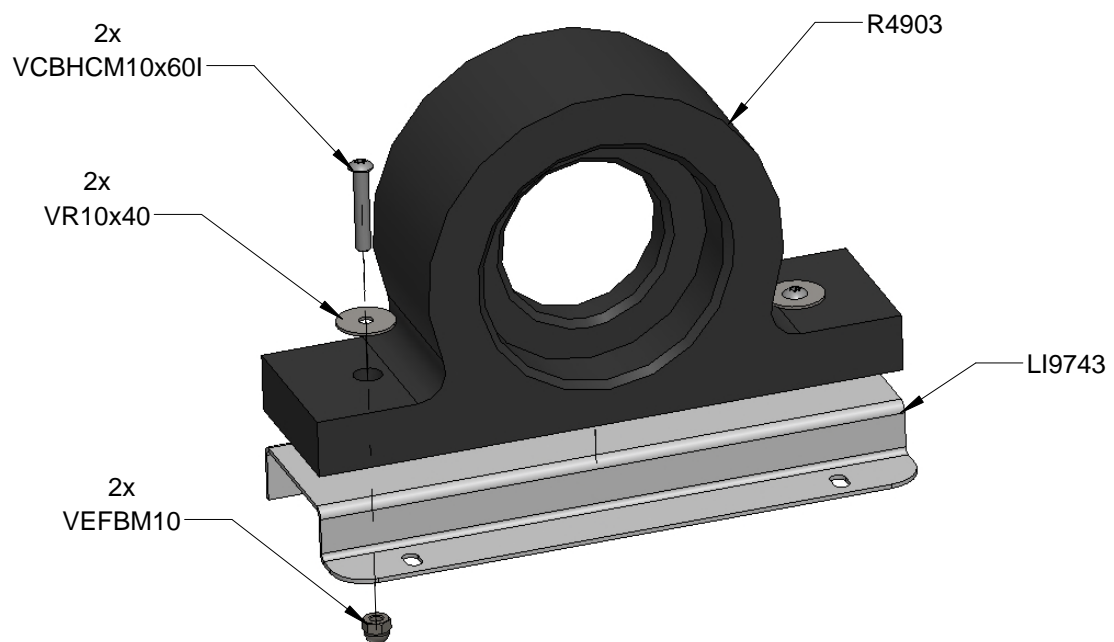


3)

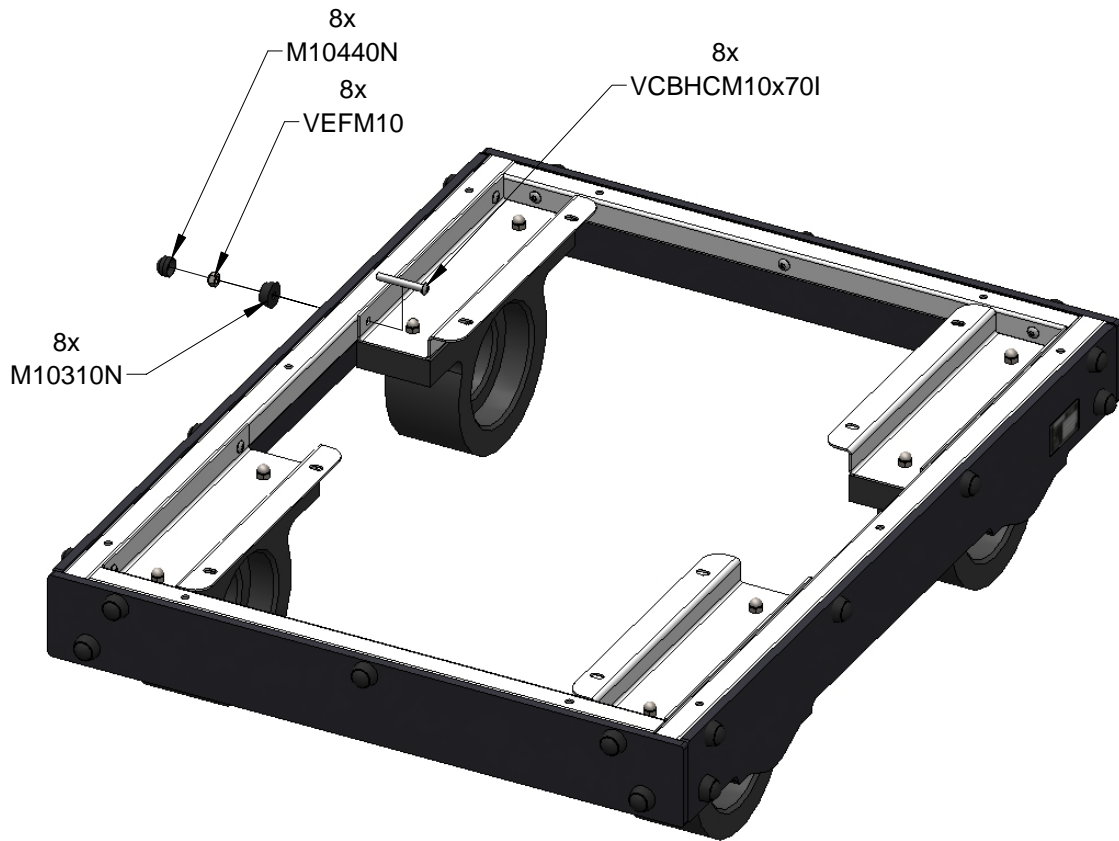


4)

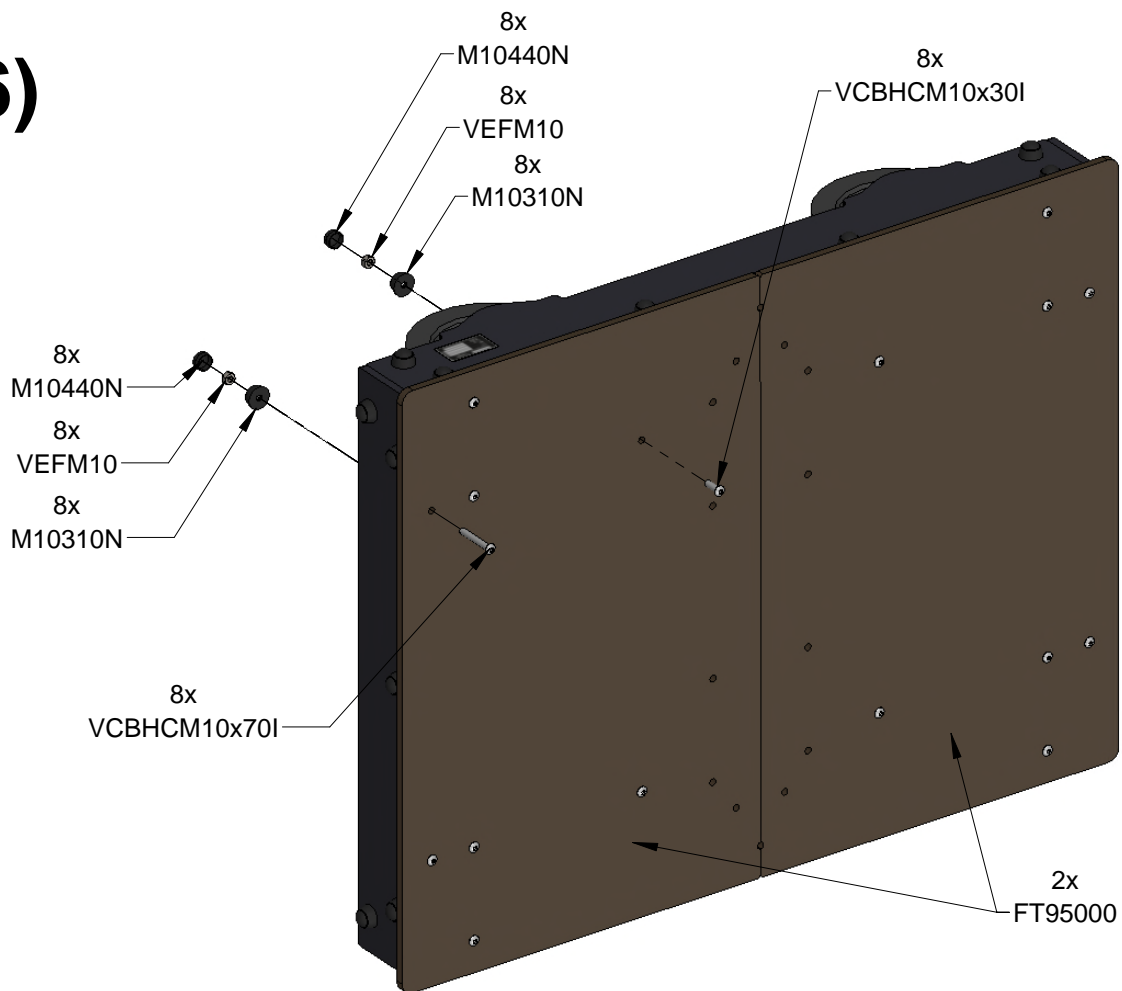
x4



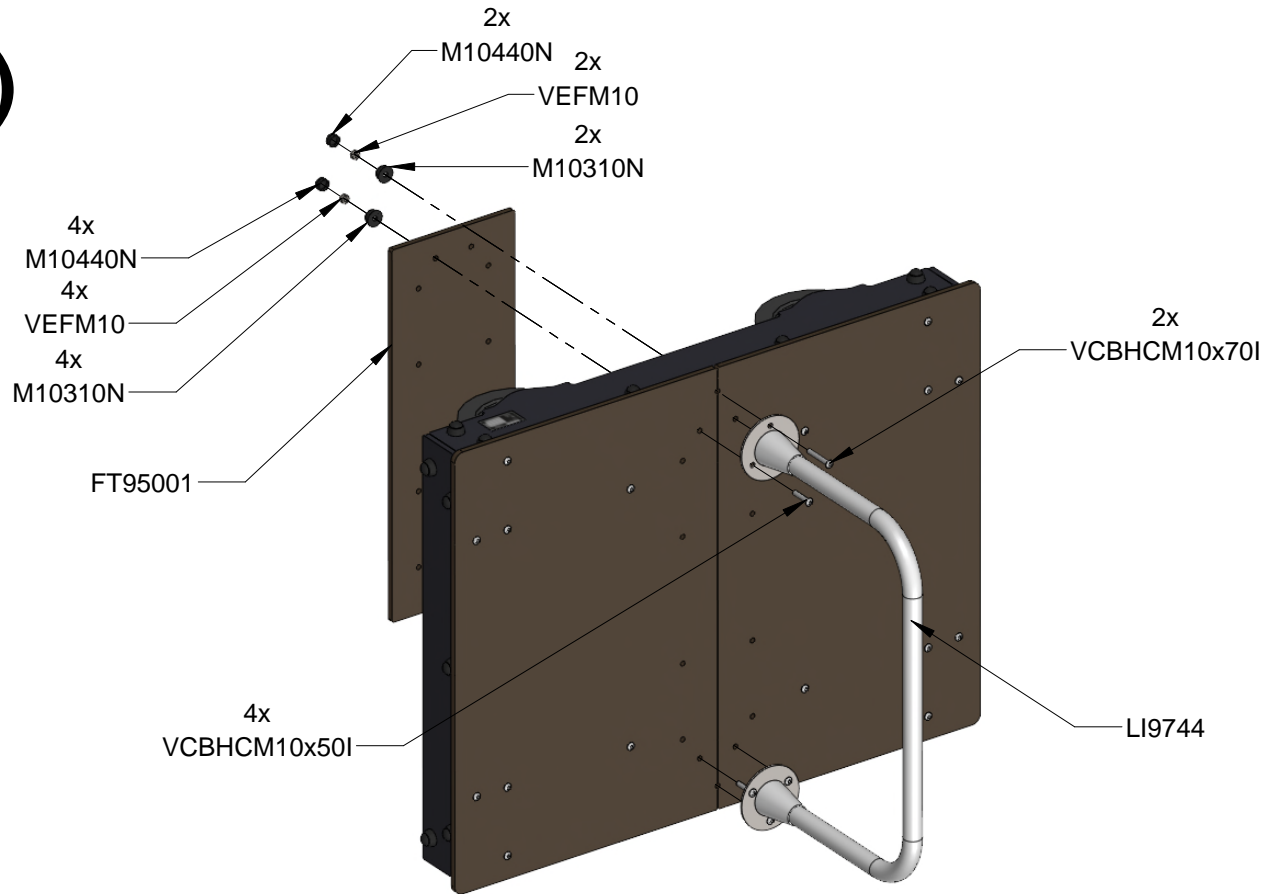
5)



6)



7)



8)

