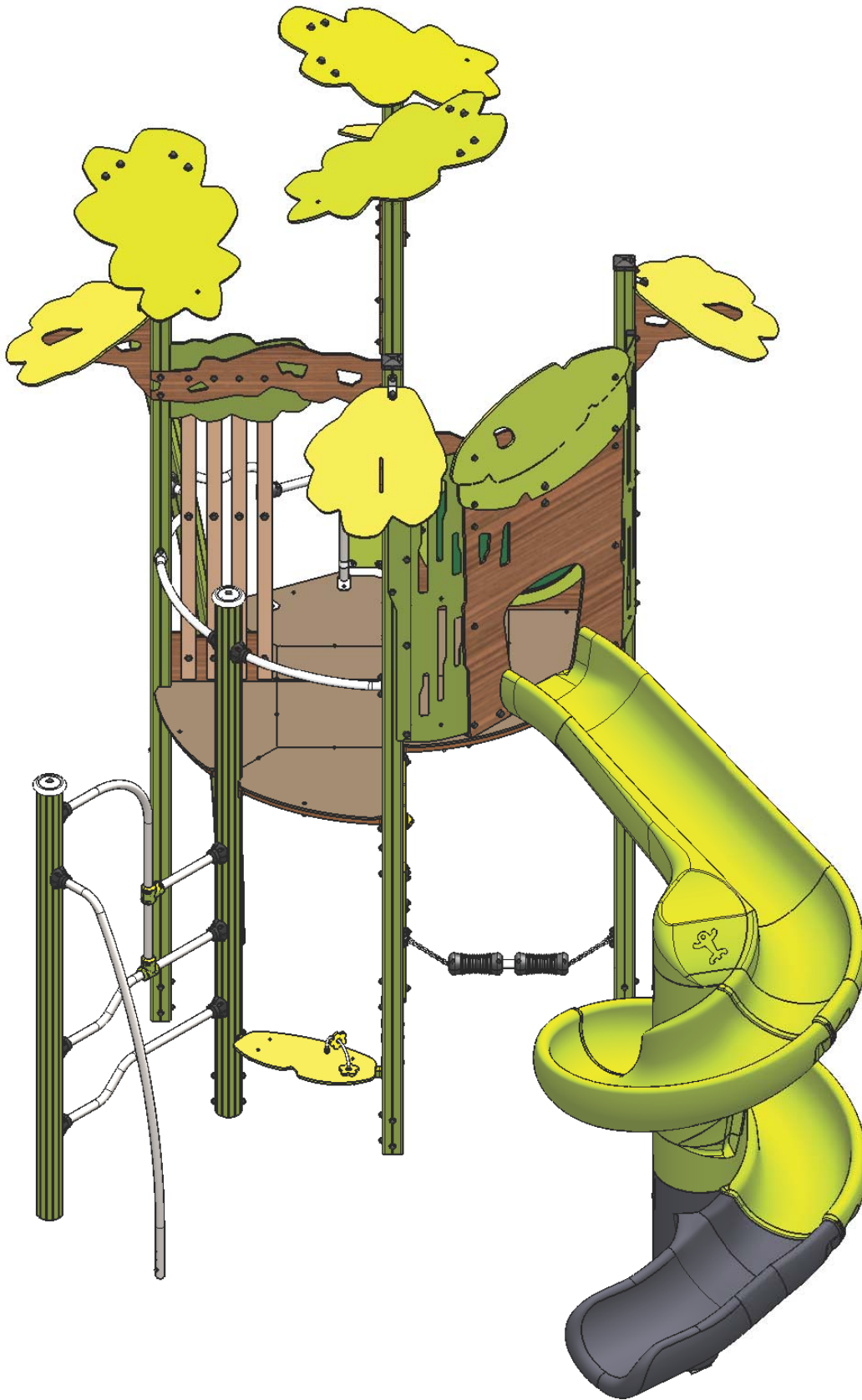


J56005A

*Proludic*



08-05-2022



N°		m <sup>2</sup>
1	0.6 m	6 m <sup>2</sup>
2	1 m	0.5 m <sup>2</sup>
3	1.77 m	12.5 m <sup>2</sup>
4	1.95 m	7.5 m <sup>2</sup>
5	2.37 m	22 m <sup>2</sup>

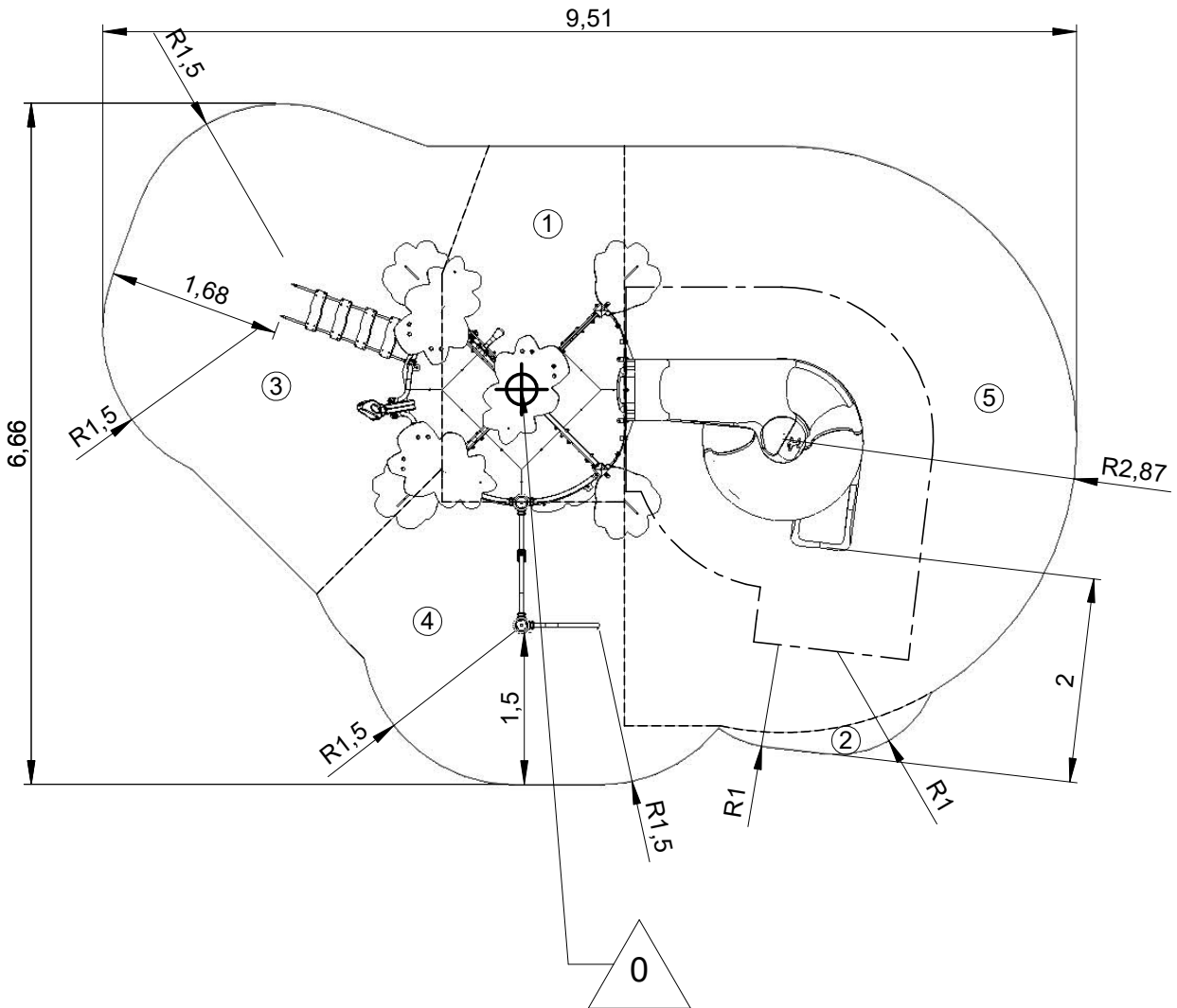
— Zone d'impact  
Impact area  
Area de impacto  
Fallraum  
Valzone

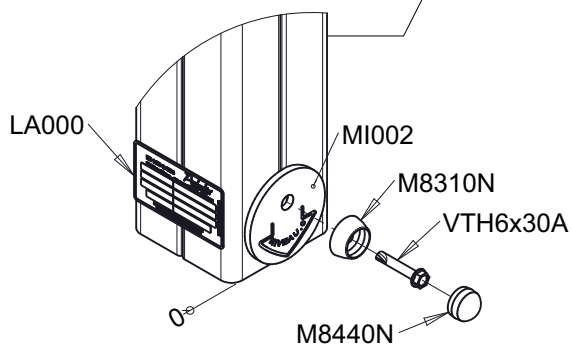
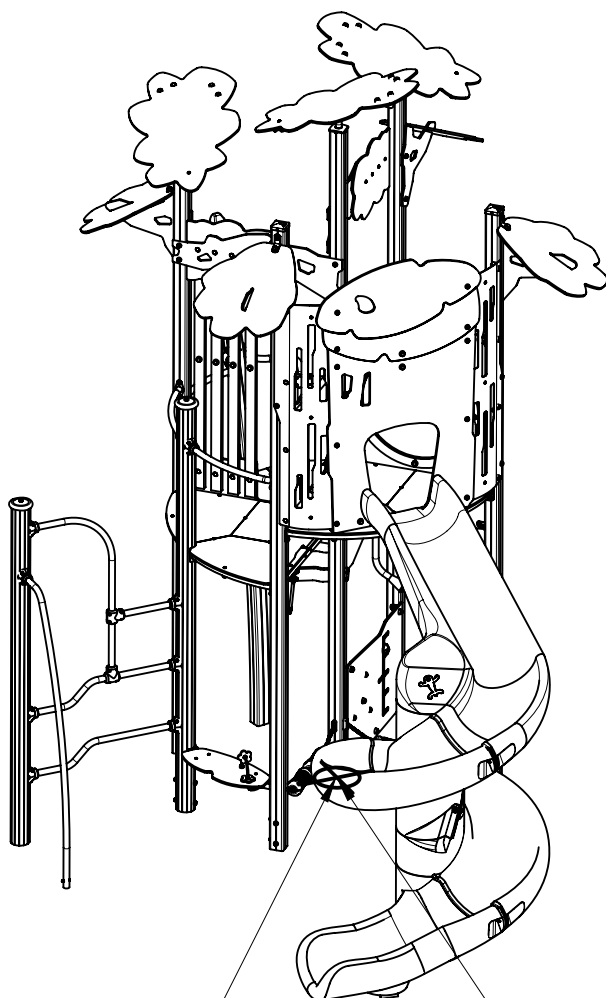
- - - Espace libre  
Free space  
Espacio libre  
Freiraum  
Vrije ruimte



Point de référence  
Setting out point  
Punto de referencia  
Bezugspunkt  
Referentiepunt

EN1176-1:2017  
EN1176-3:2017

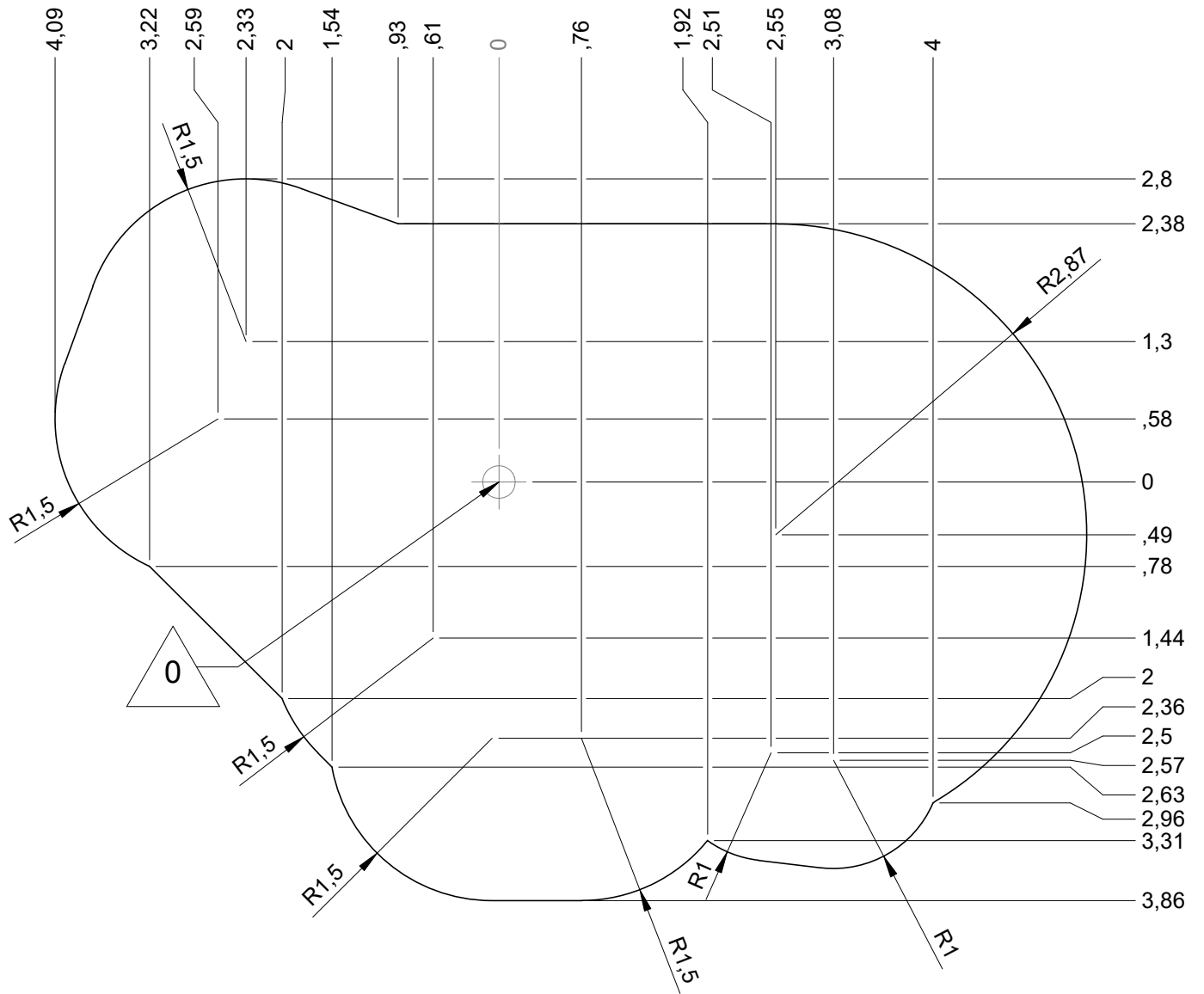




Réf	Qté
G2542M	1
G2543-M	1
G3428	1
G5603	1
G5625	1
G5628	1
G56000	1
G56005	1
G56006	1
G56013	2
G56017	1
G56129	1
G56011	1

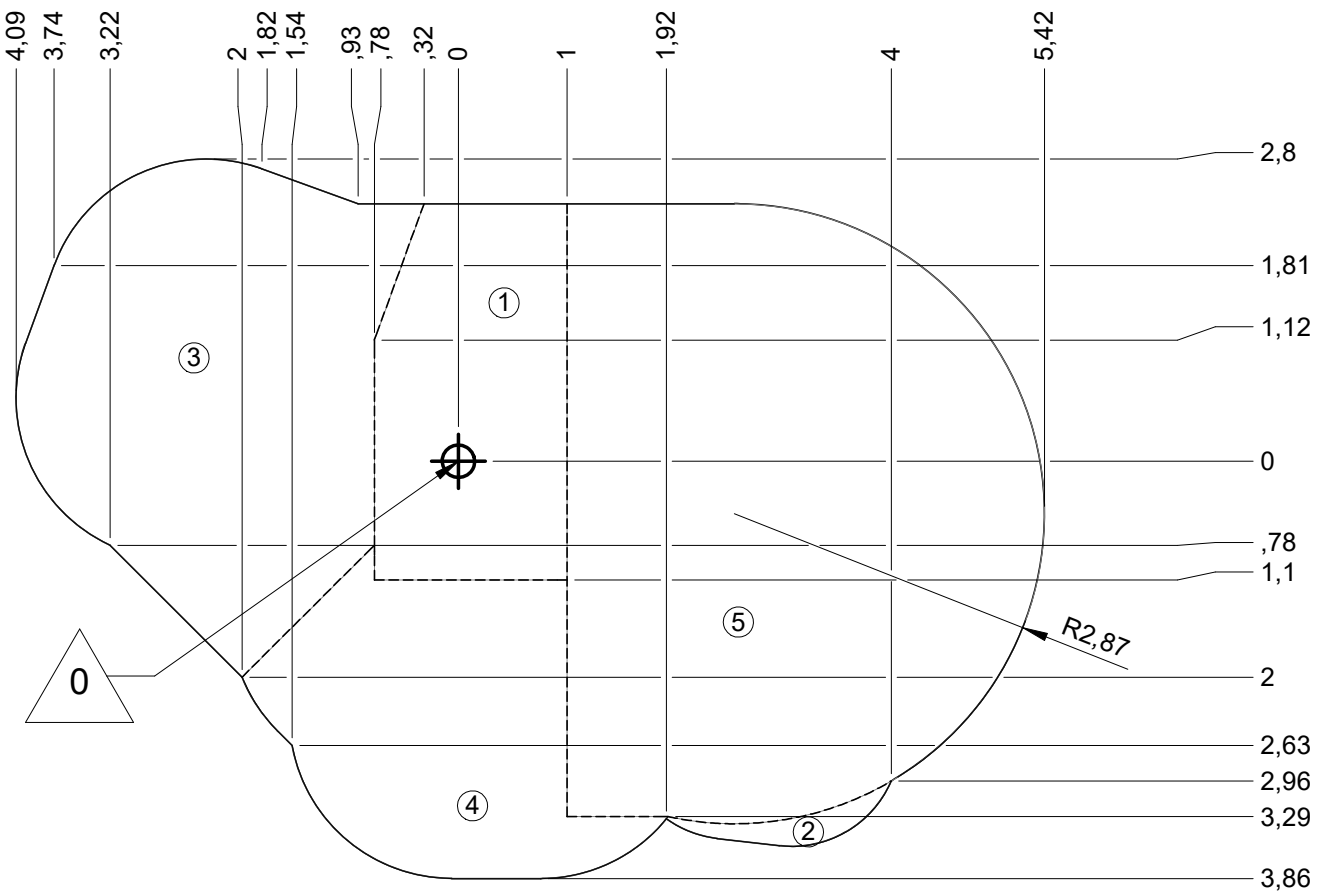
— Zone d'impact  
 Impact area  
 Area de impacto  
 Fallraum  
 Valzone

48.5 m<sup>2</sup>



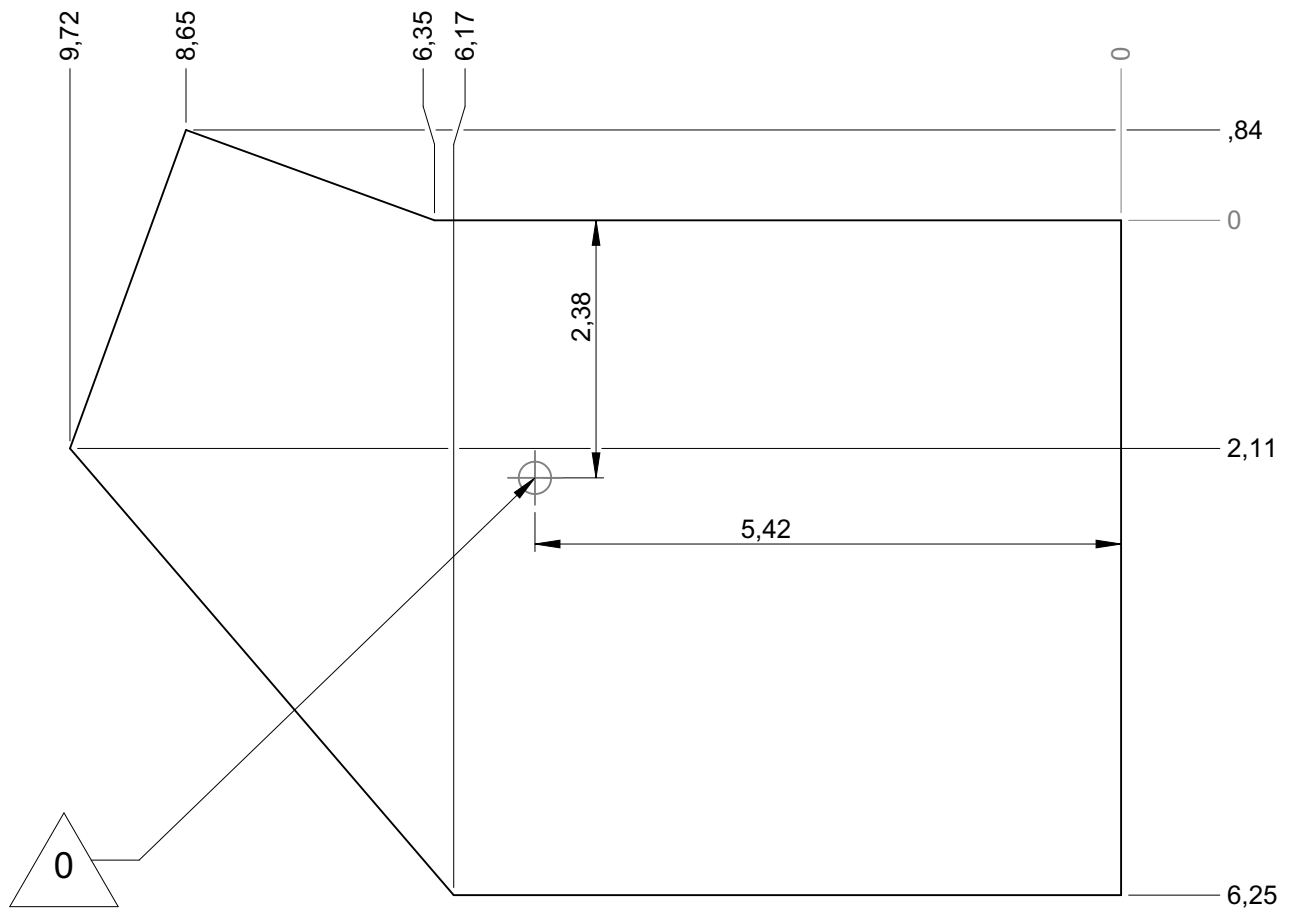
— Sol souple  
 Wetpour  
 Caucho continuo  
 Synthetischer Fallschutz  
 Gietvloer

48.5 m<sup>2</sup>

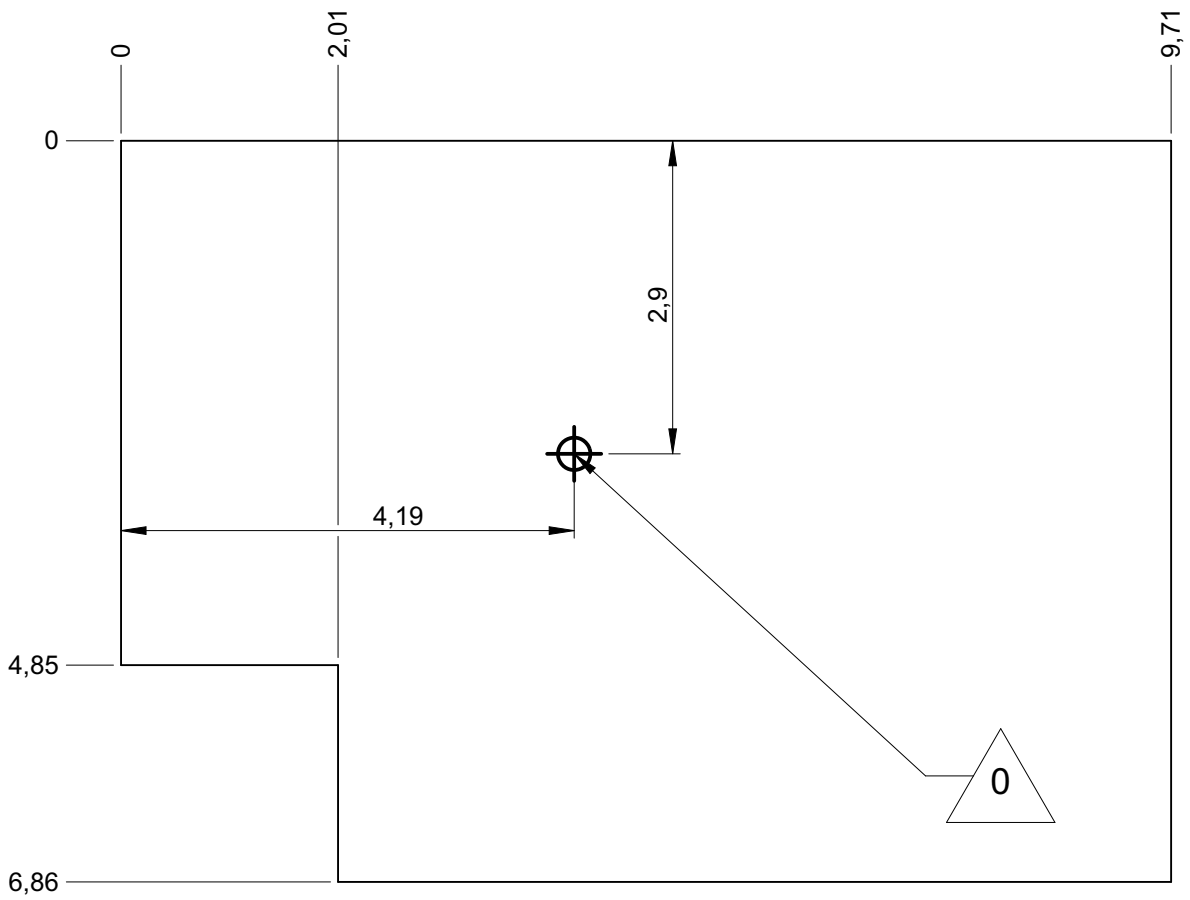


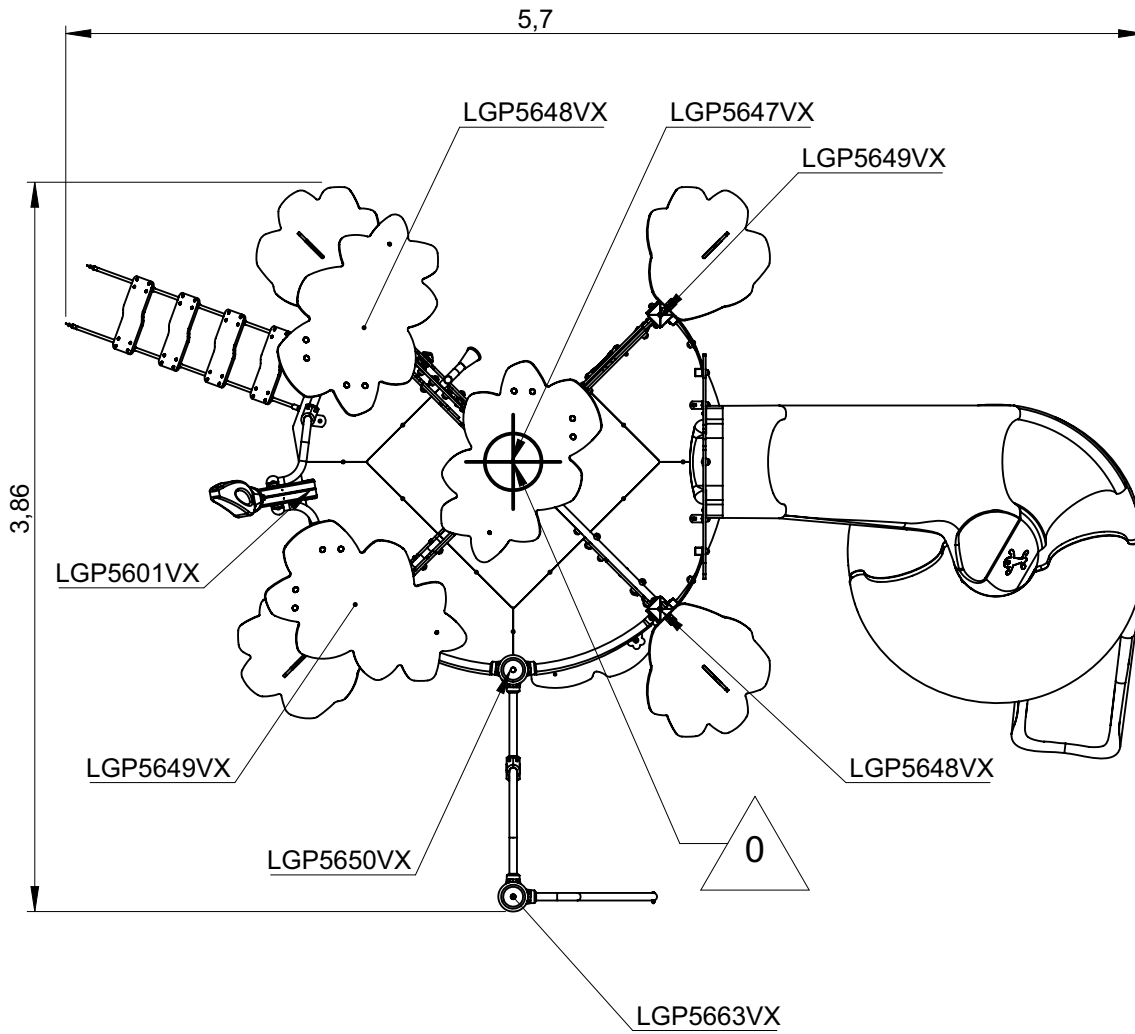
— Dalle béton  
 Concrete pad  
 Solera de hormigon  
 Beton Bodenplatte  
 Betonnen bodemplaat

30 m  
 54 m<sup>2</sup>

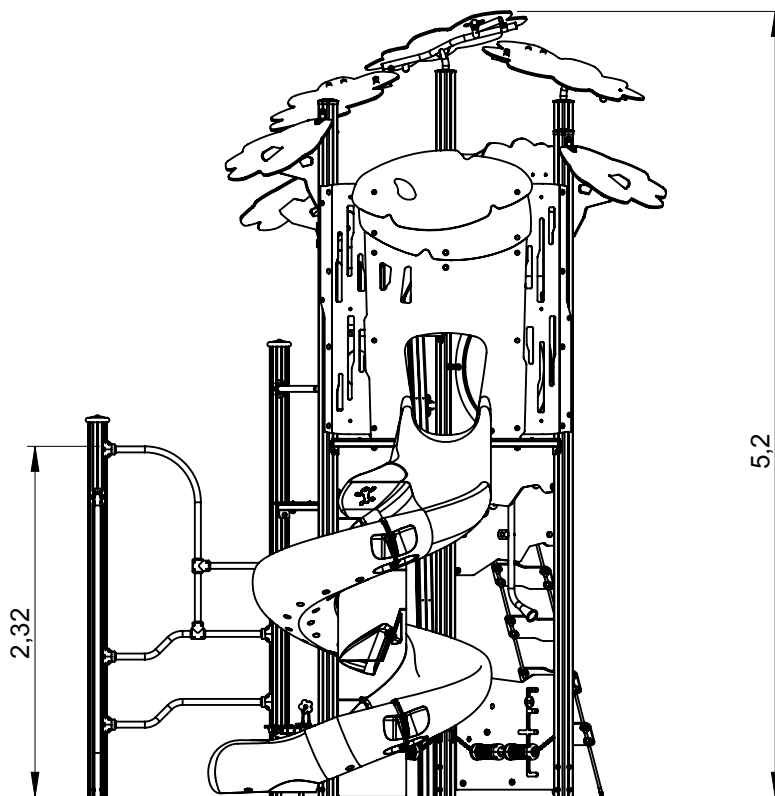
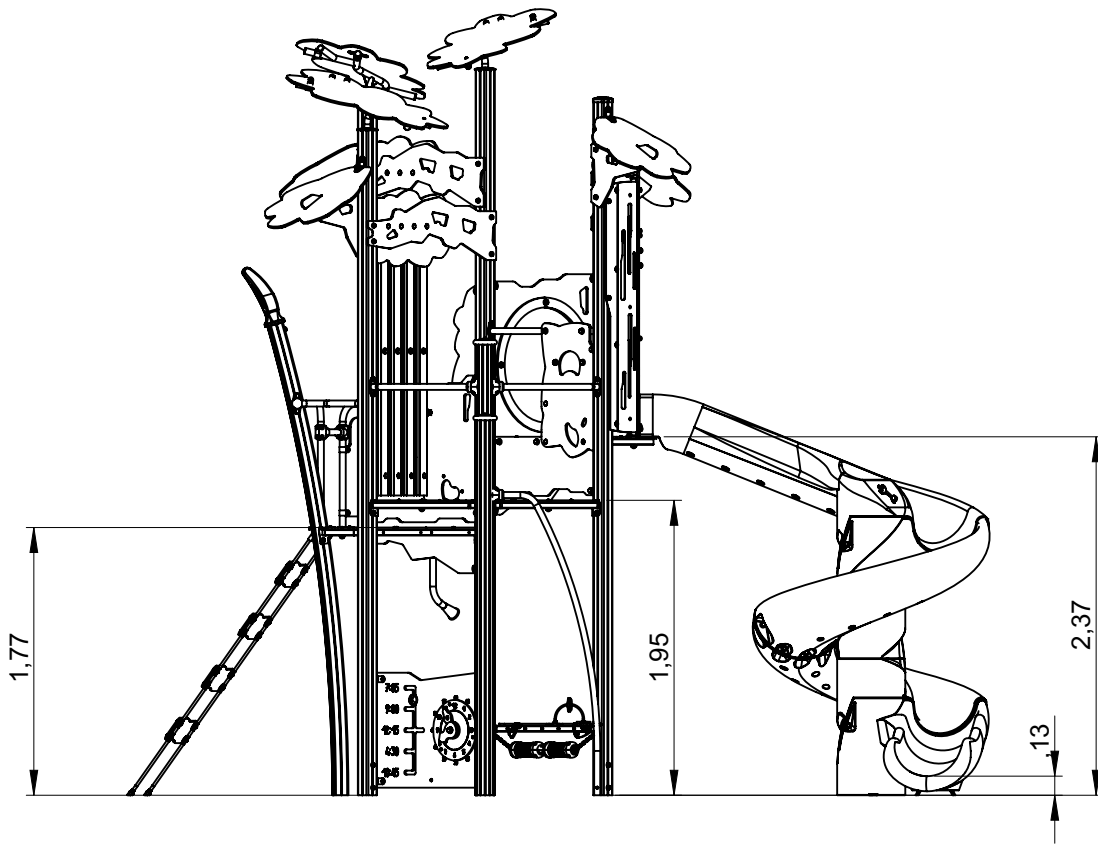


— Sol fluent  
Loos partucule material 33 m  
Arenero  
Loses Bodenmaterial 63 m<sup>2</sup>  
Los bodemateriaal

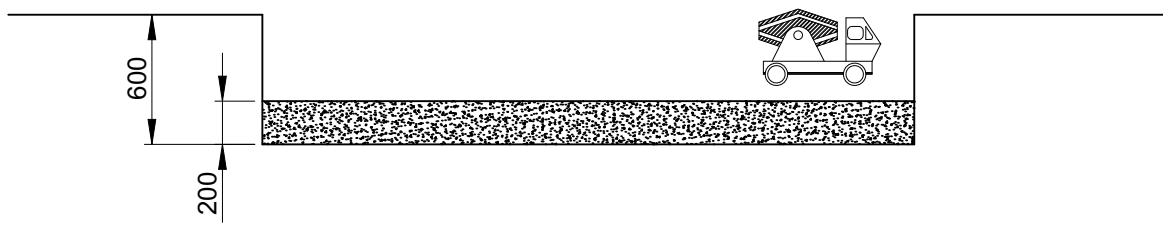
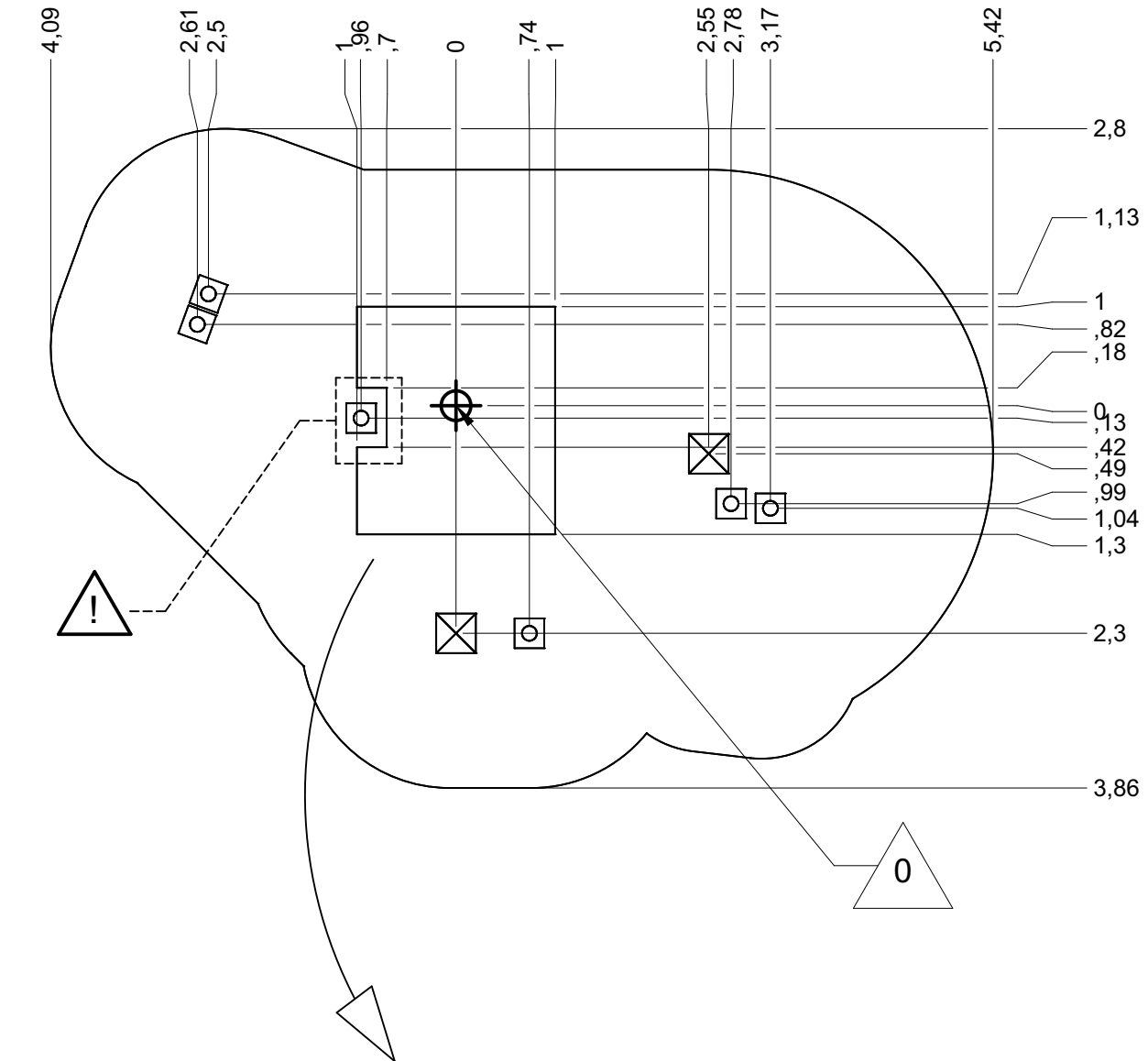




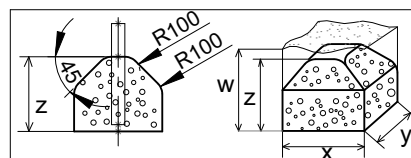






Implantation  
 Footing plan  
 Implantación  
 Fundamentplan  
 Funderingstekening

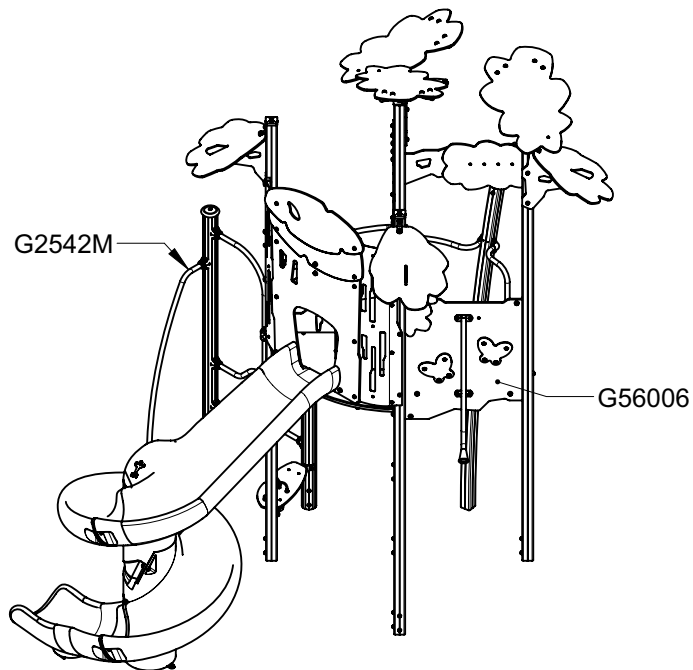
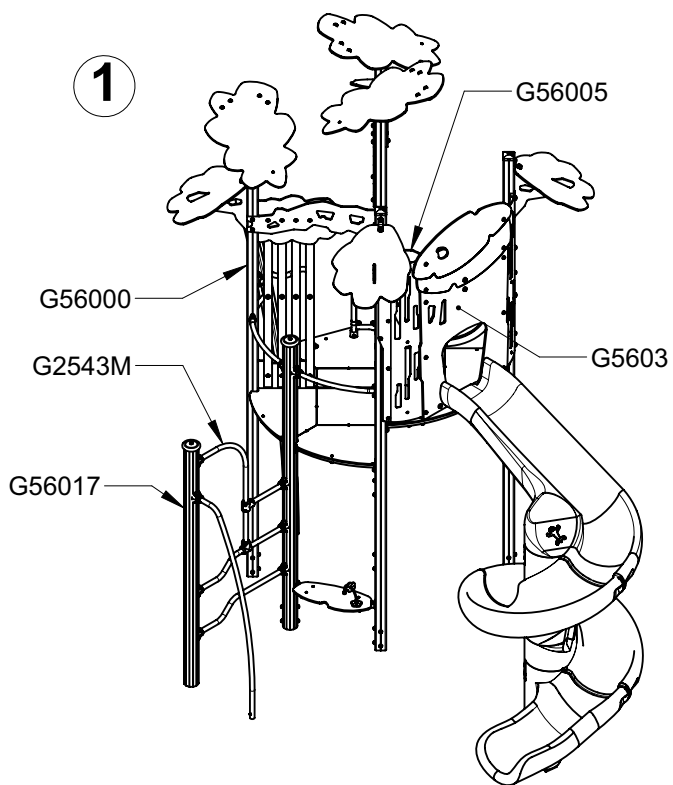


 x2  
 18H  
 1.3 m<sup>3</sup>

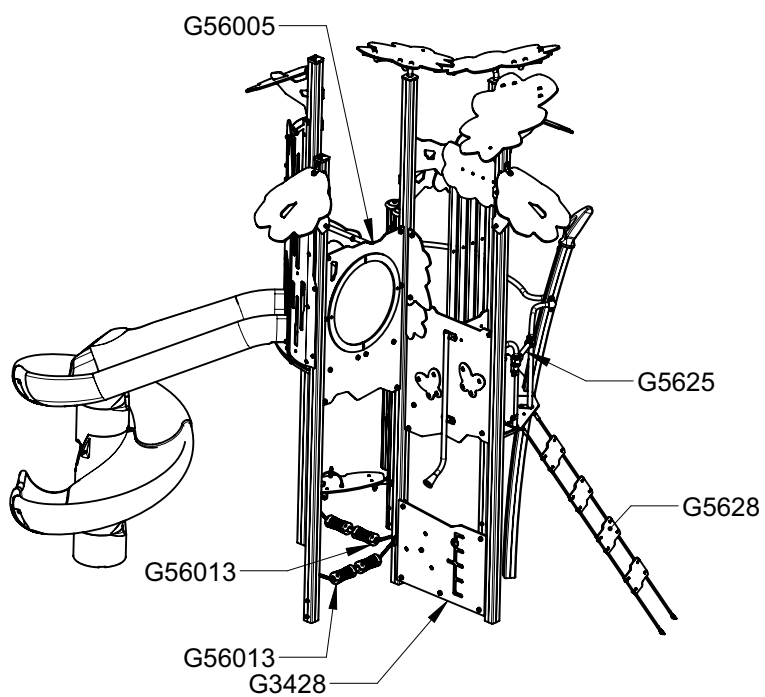
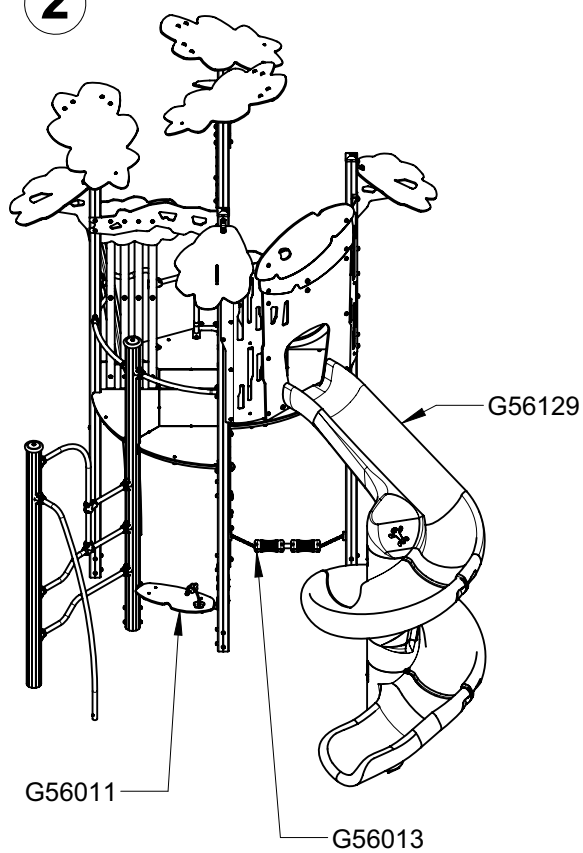


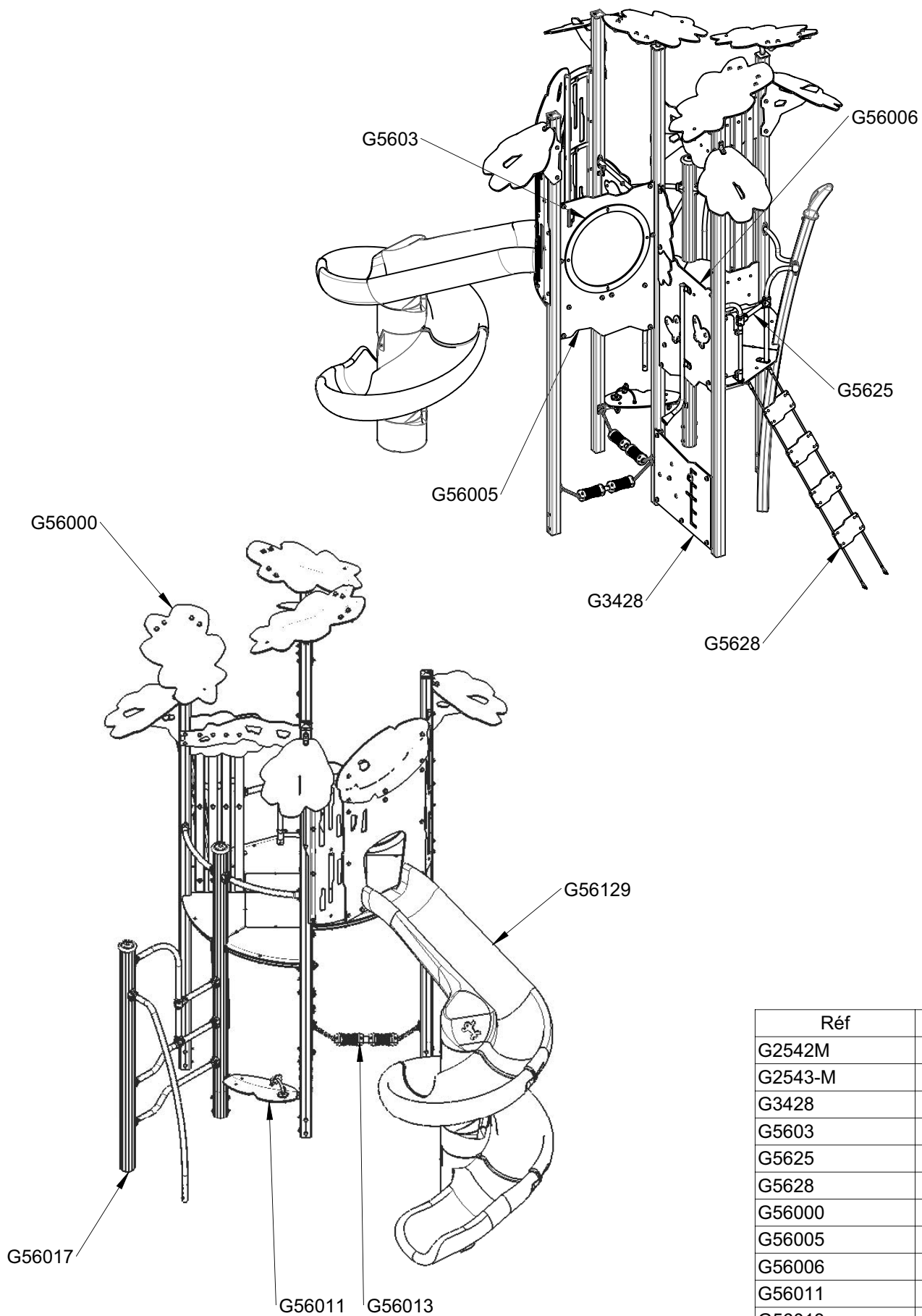
	x	y	z	w
	0.3	0.3	0.3	0.6
	0.4	0.4	0.6	0.8

1

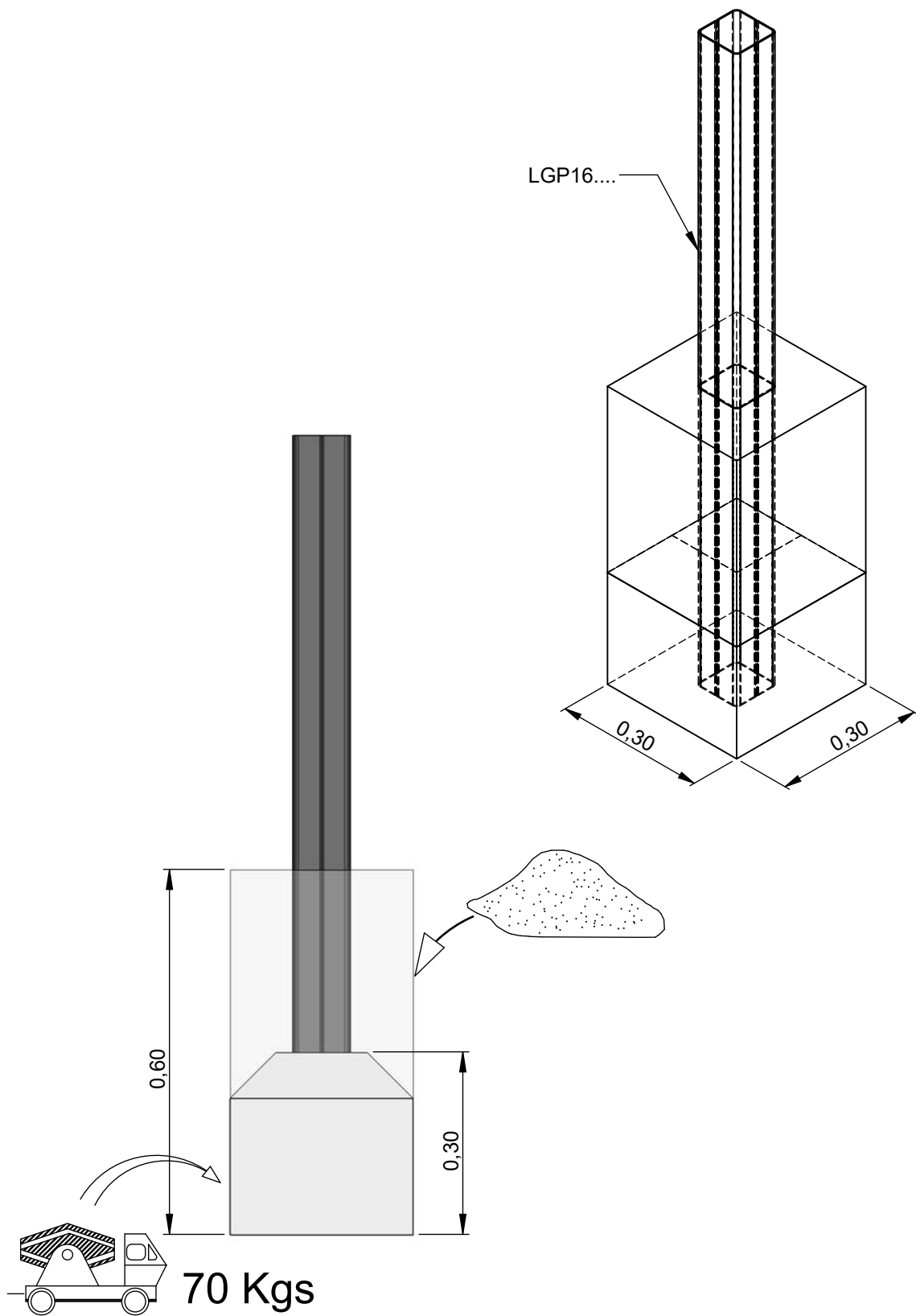


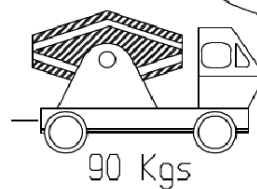
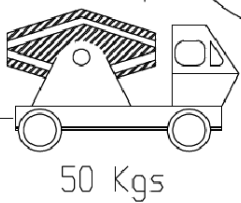
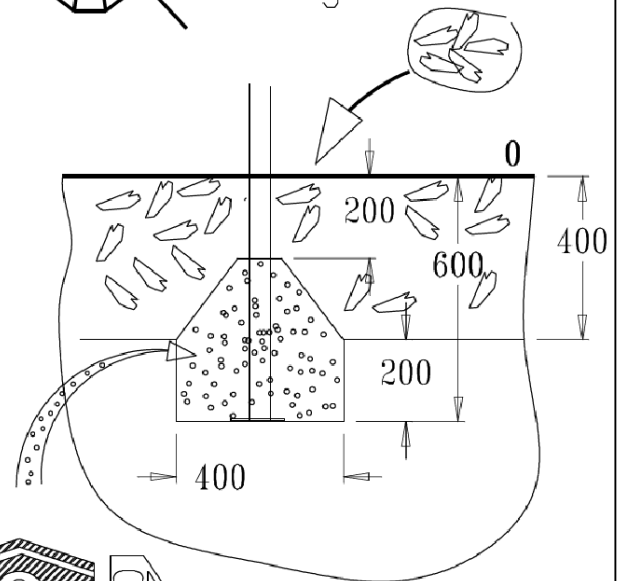
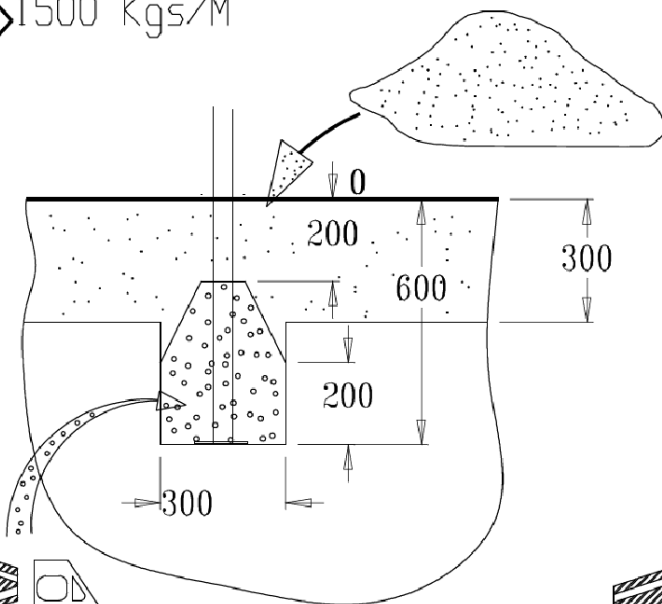
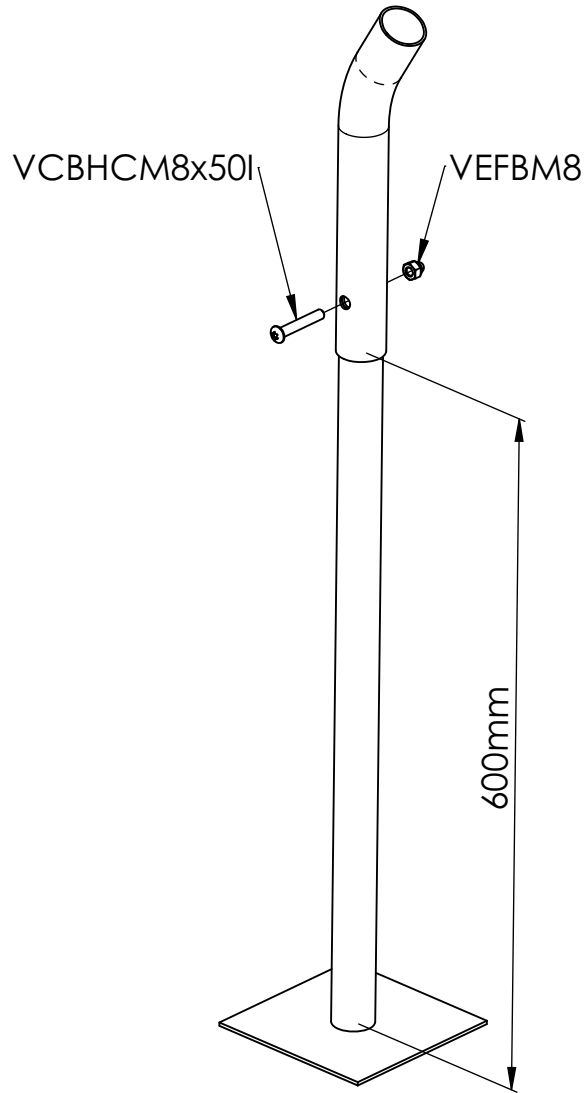
2

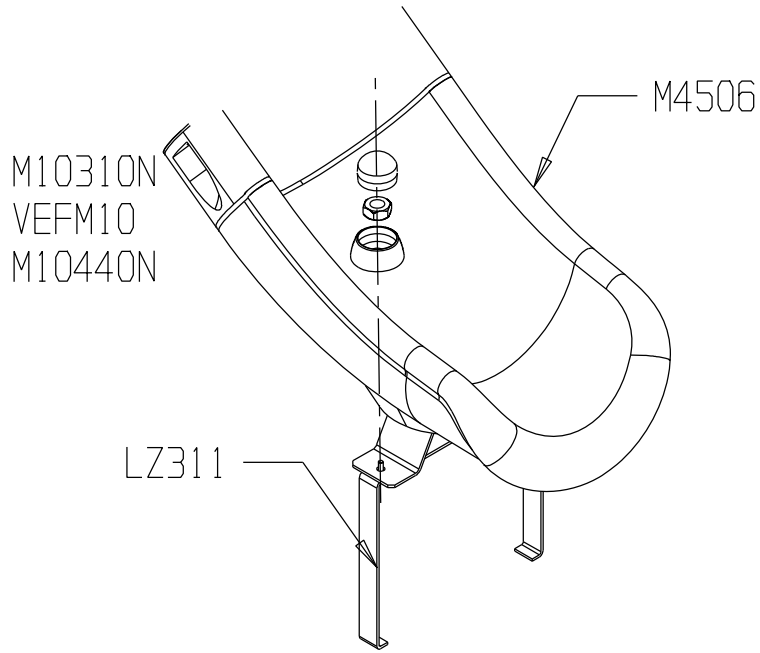




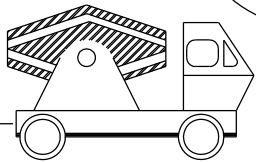
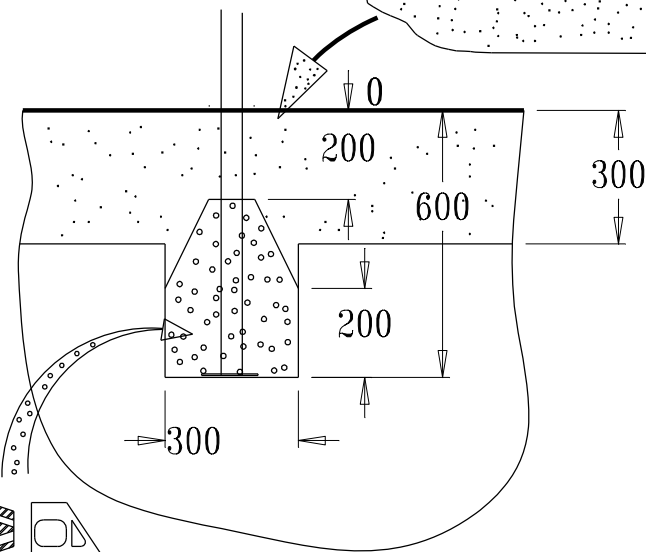
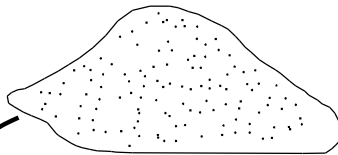
Réf	Qté
G2542M	1
G2543-M	1
G3428	1
G5603	1
G5625	1
G5628	1
G56000	1
G56005	1
G56006	1
G56011	1
G56013	2
G56017	1
G56129	1







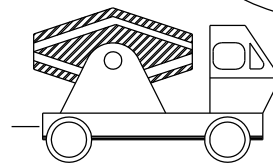
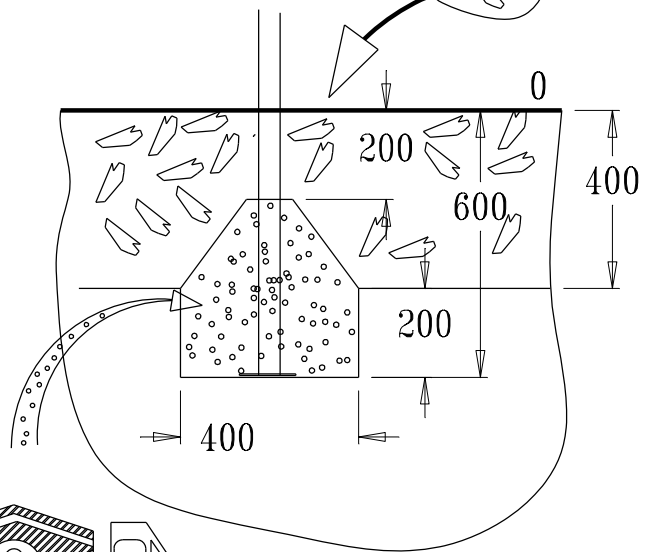
> 1500 Kgs/M<sup>3</sup>



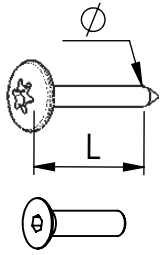
50 Kgs



< 1500 Kgs/M<sup>3</sup>

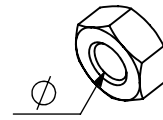


90 Kgs

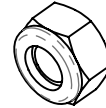


VBT 6 x 30  
 $\varnothing$   $\uparrow$  L (mm)

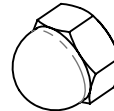
VFHC



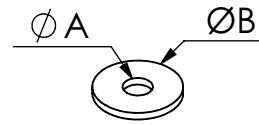
VEC M10  
 $\varnothing$




VEF




VEB



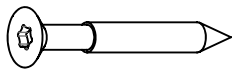
VR6x18  
 $\varnothing A$   $\varnothing B$



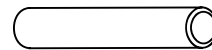
**1000 - 1800 tr/min**  
 Vitesse de rotation  
 Rotation speed



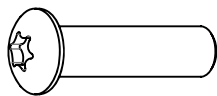
**14 N.m**  
 Couple de rupture  
 Torque of break



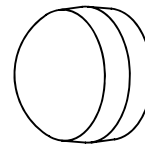
VWT



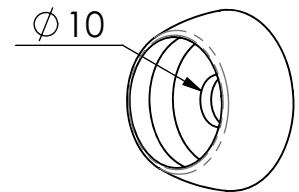
VGC



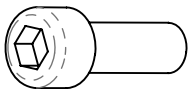
VCBHC



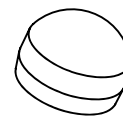
M10 440N



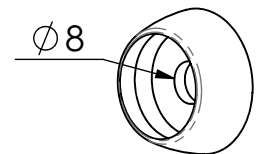
M10 310 N



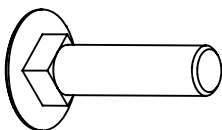
VBTR



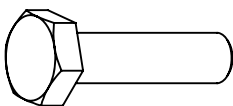
M8440N



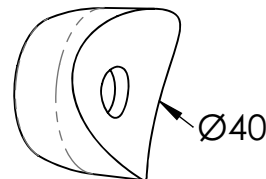
M8310N



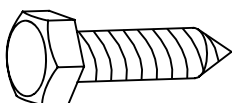
VTRCC



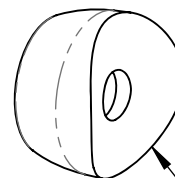
VTH



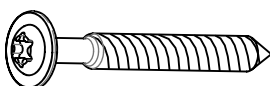
MI2503



VTF

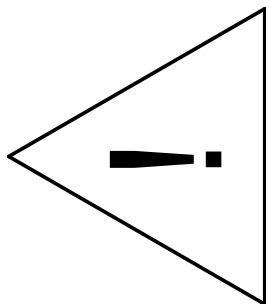


MI2701



VBT



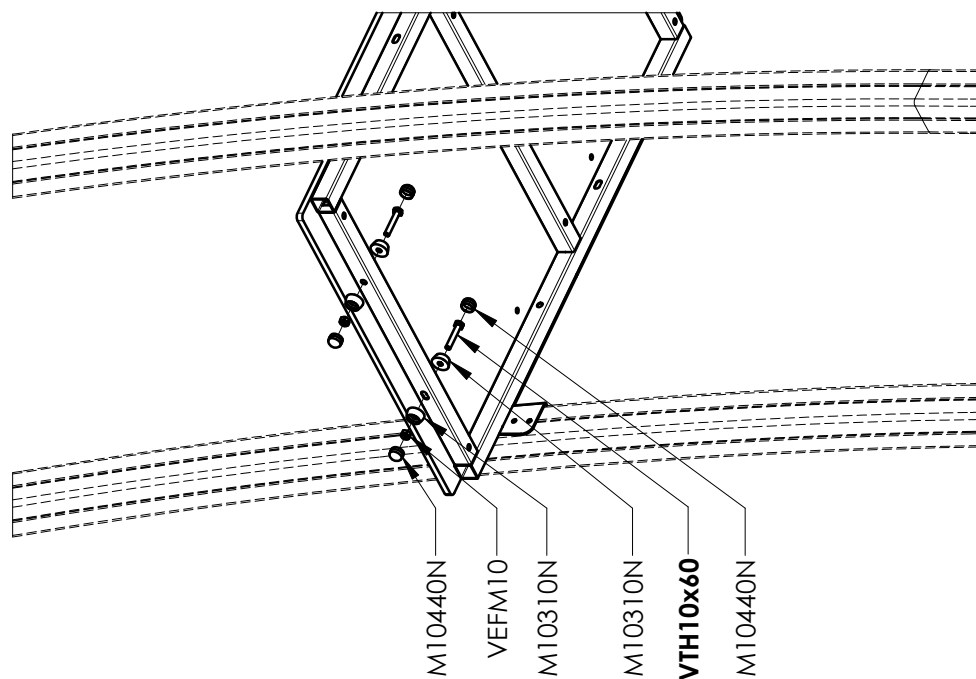
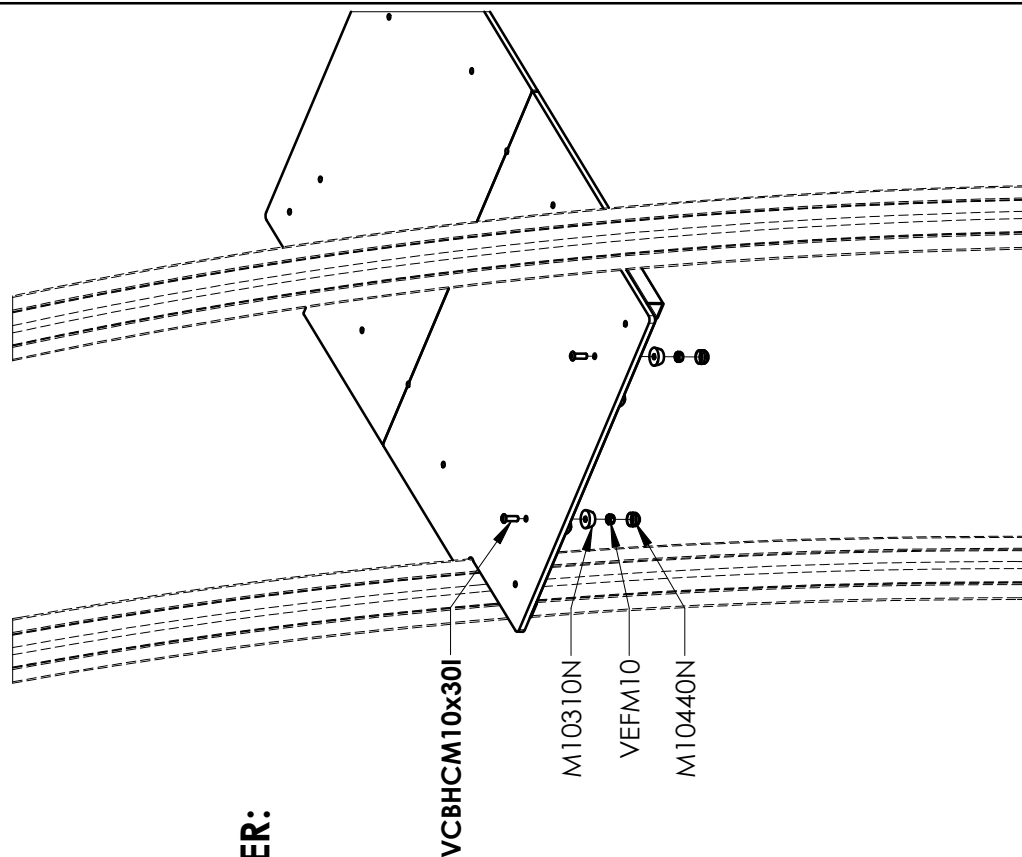


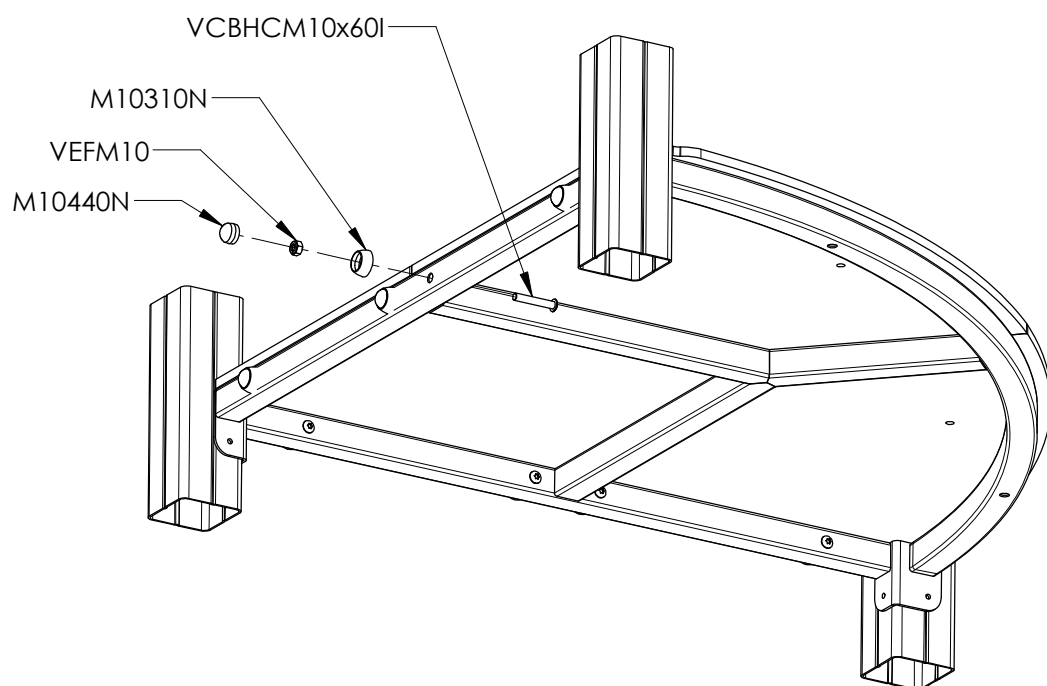
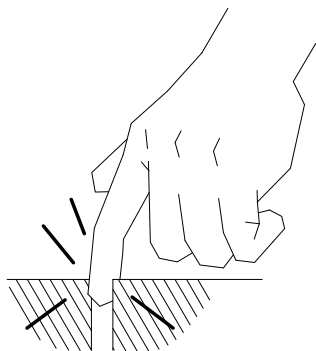
**TROUS RESTÉS LIBRES:**

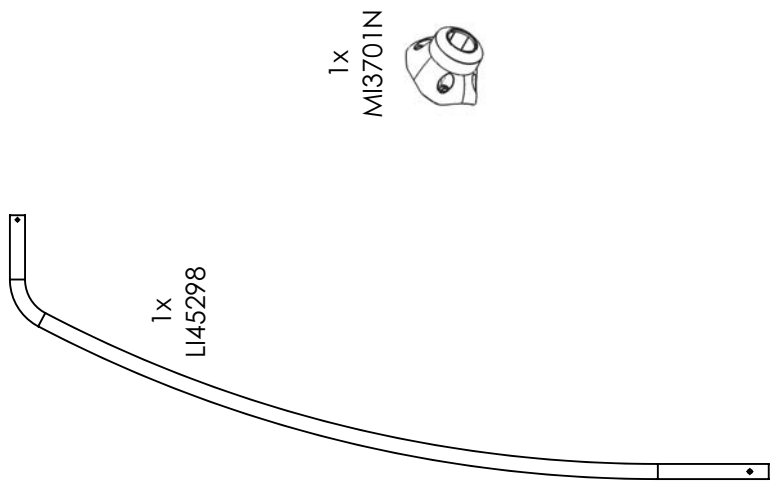
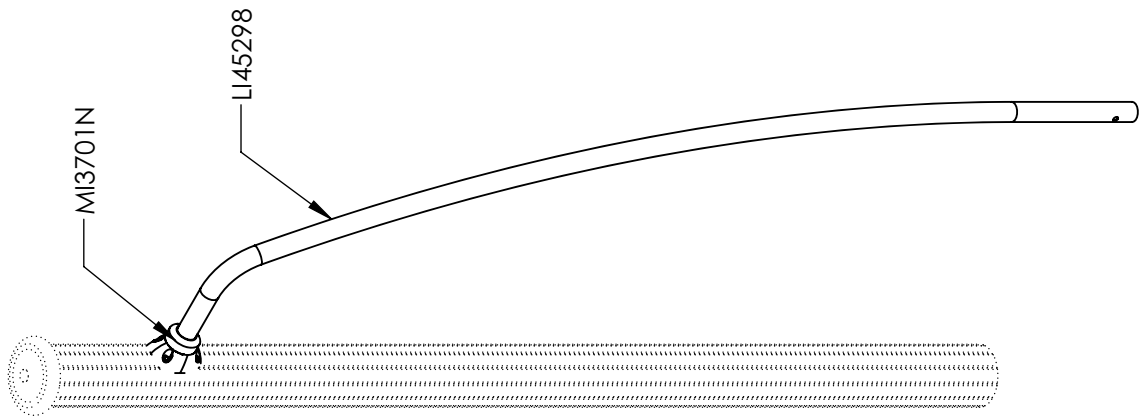
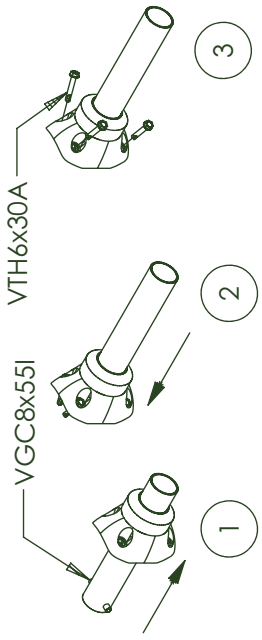
**OPEN HOLES:**

**NICHT VERSTOPFTE LOCHER:**

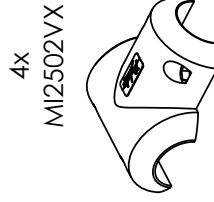
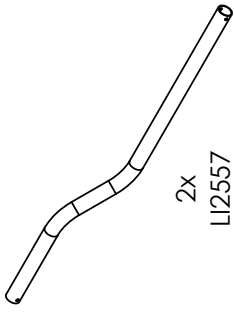
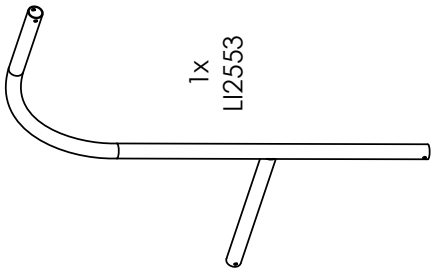
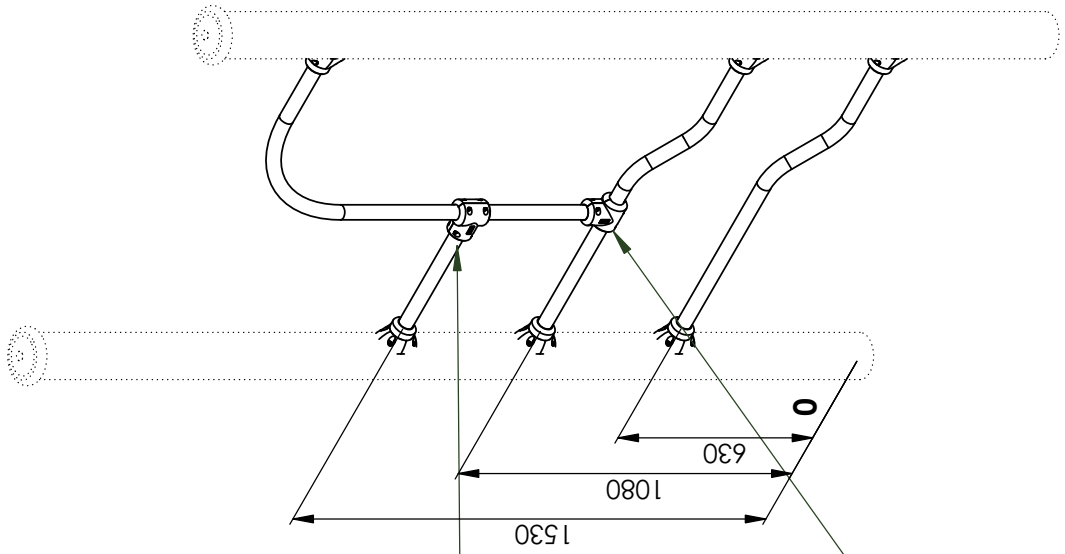
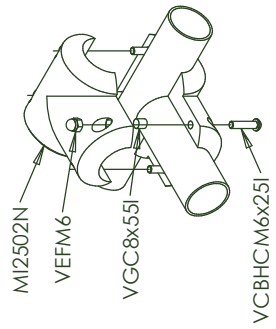
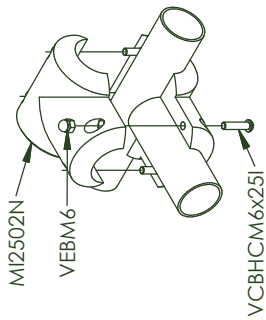
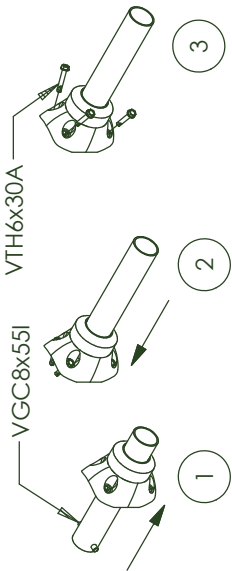
**AGUJEROS A TAPAR**



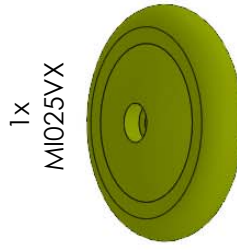
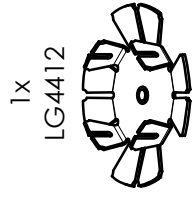
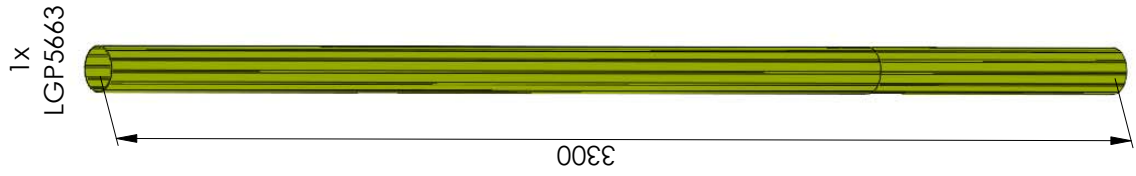
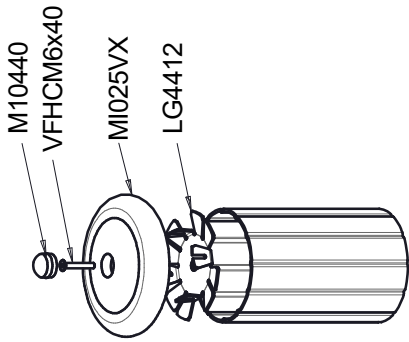
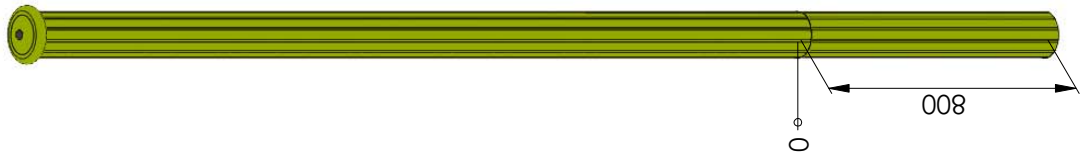




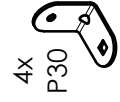
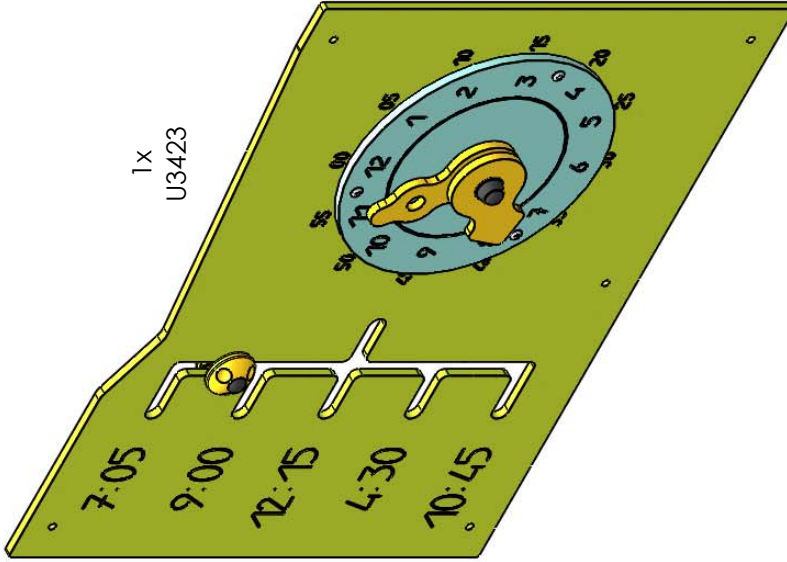
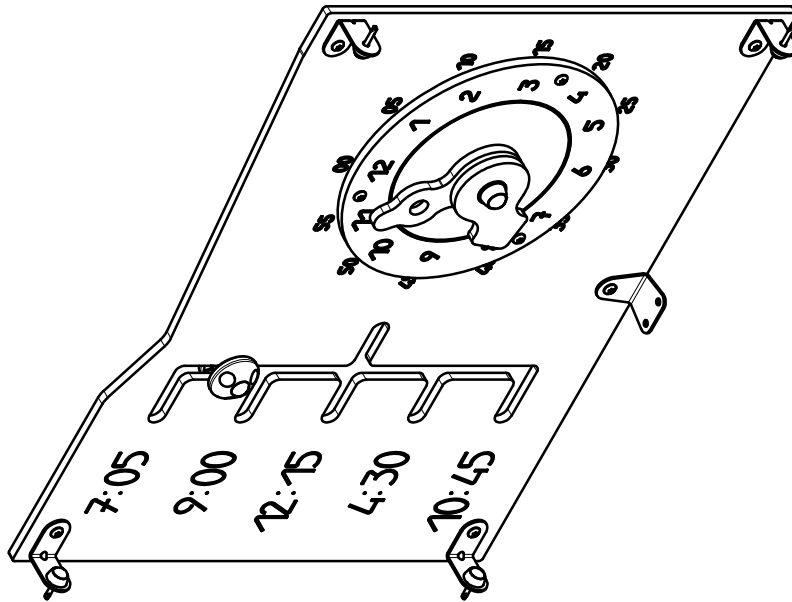
LI45298	1
MI3701N	1
VGC8x55I	1



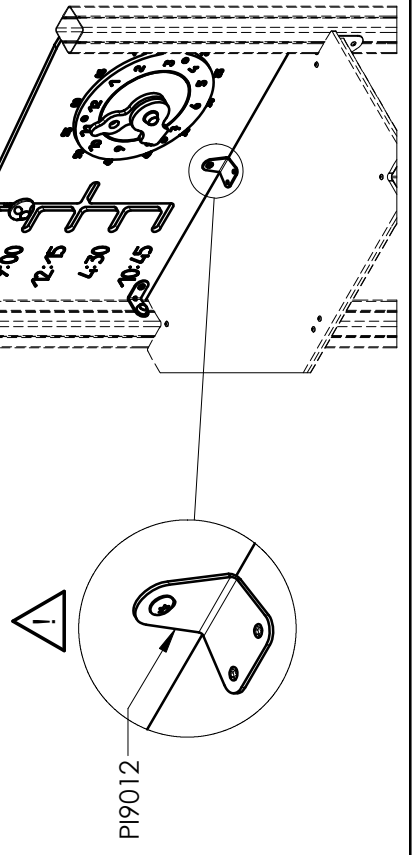
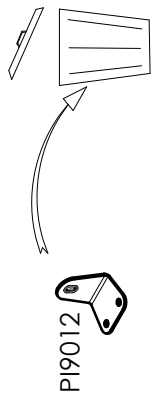
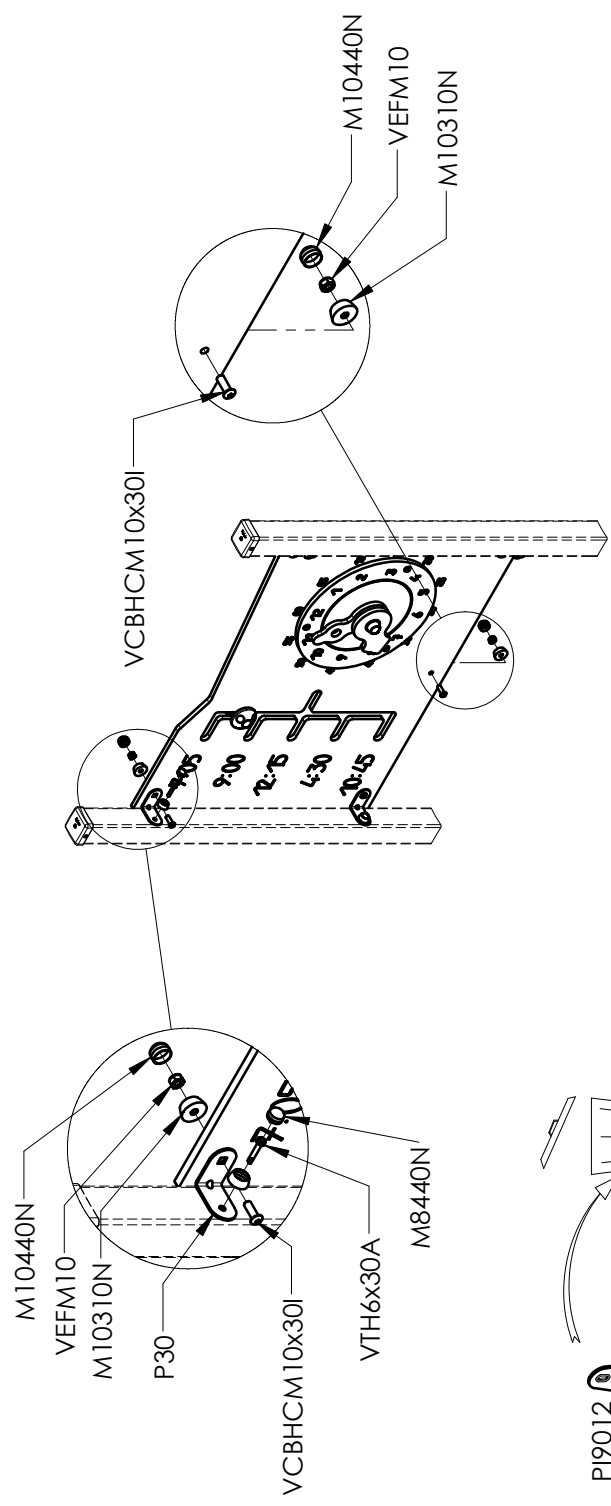
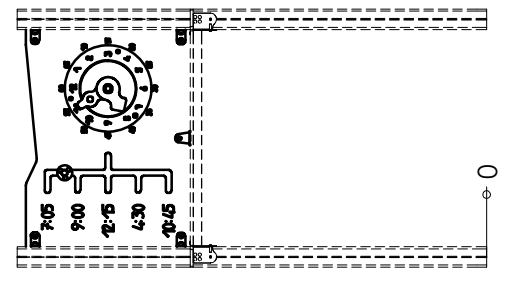
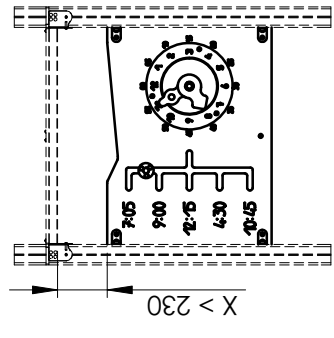
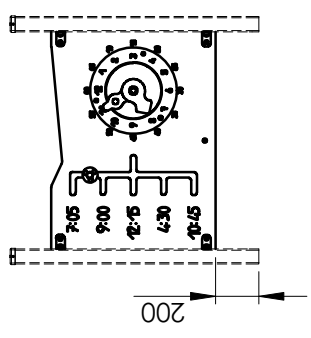
LI2557	2
LI2553	1
MI2502VX	4
MI3701N	6
VCBHC6x25I	8
VEBM6	8
VGC8x55I	7
VTH6x30A	24



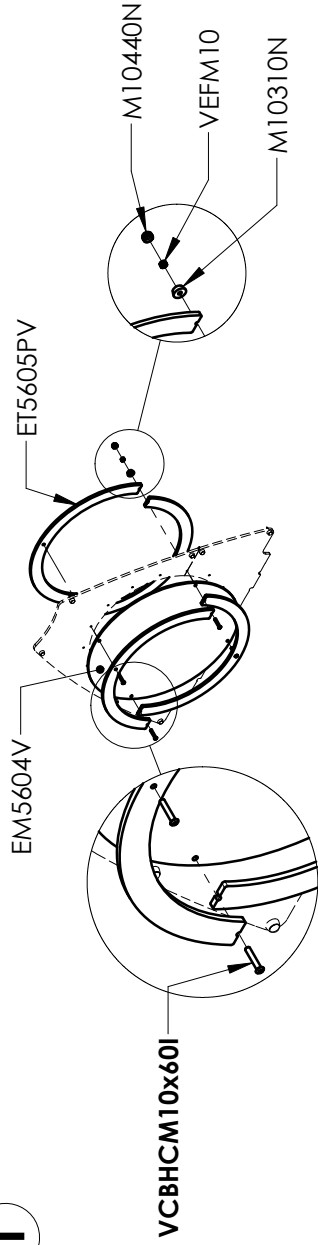
LG4412	1
LGP5663	1
M10440N	1
MI025VX	1
VFHCM6x40	1



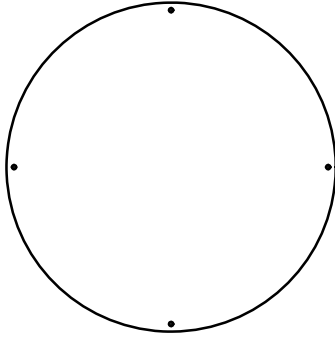
M8310N	4
M8440N	4
M10310N	5
M10440N	5
P30	4
P19012	1
U3423	1
VCBHC M10x30I	5
VEFM10	5
VTH6x30A	4



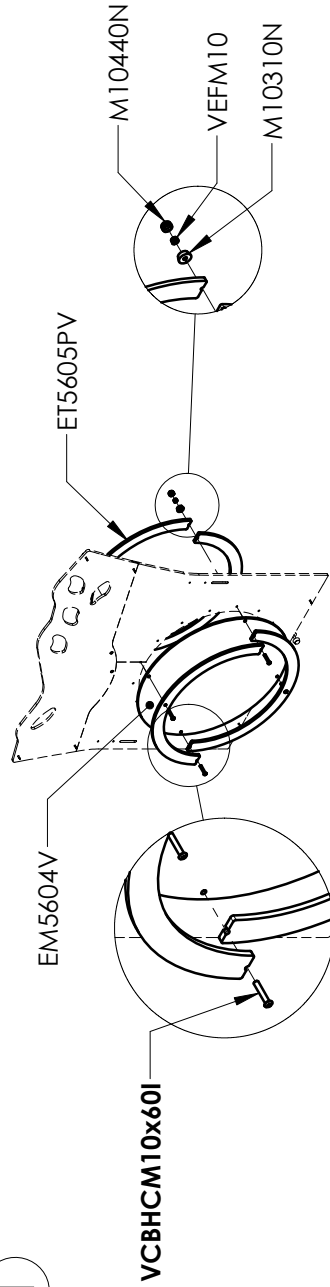
**1**



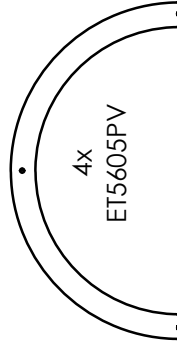
1x  
EM5604V



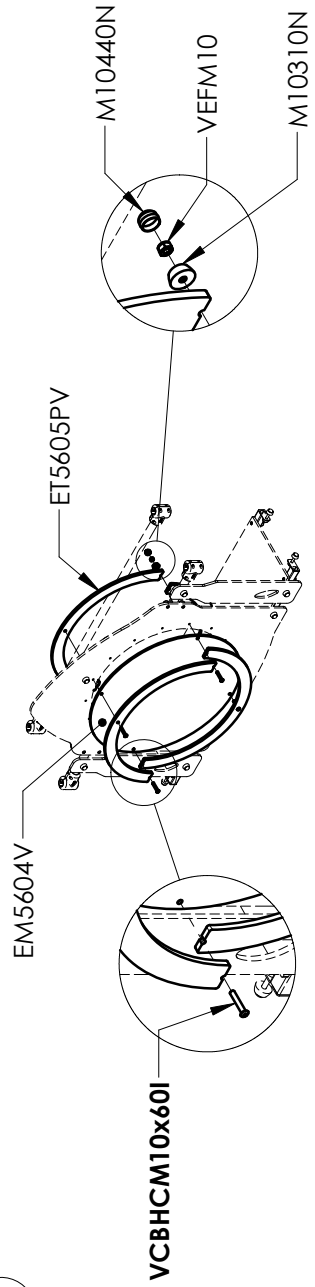
**1**



4x  
ET5605PV



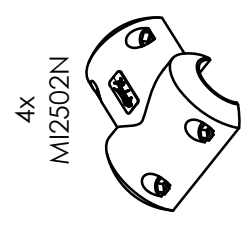
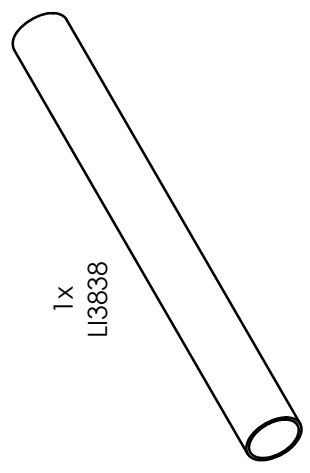
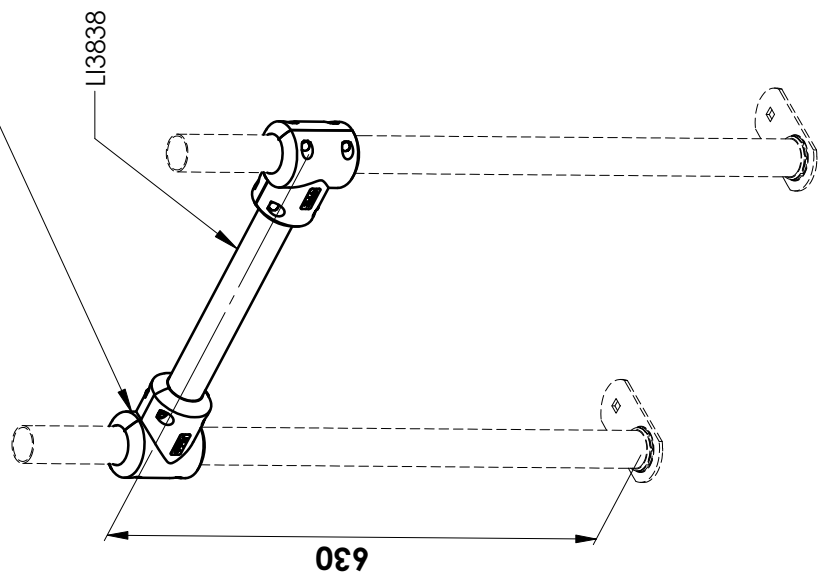
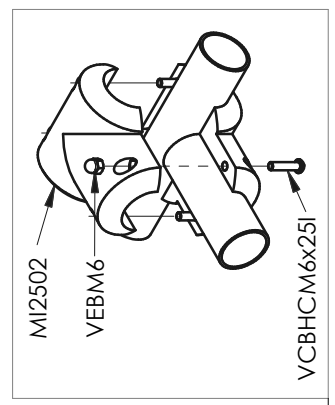
**1**



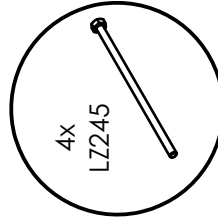
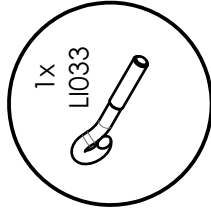
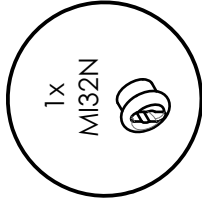
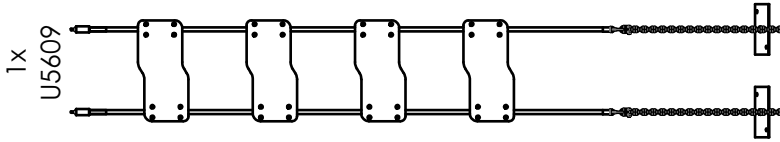
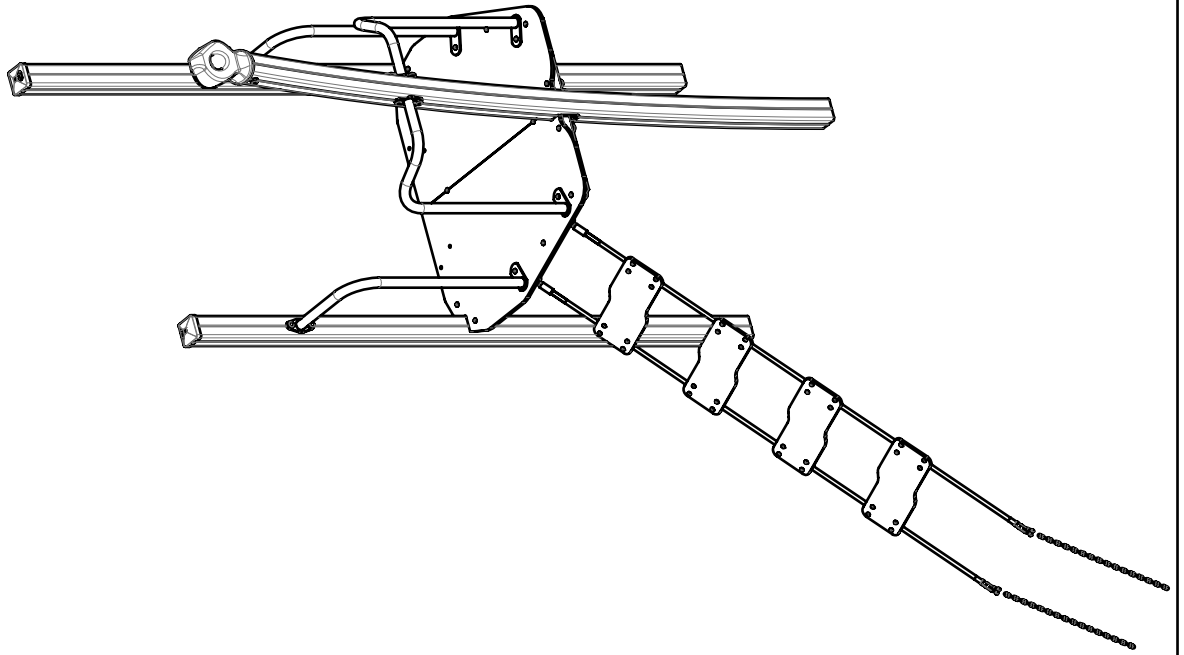
EM5604V	1
ET5605PV	4
M10310N	4
M10440N	4
VCBHCM10x60I	4
VEFM10	4



1



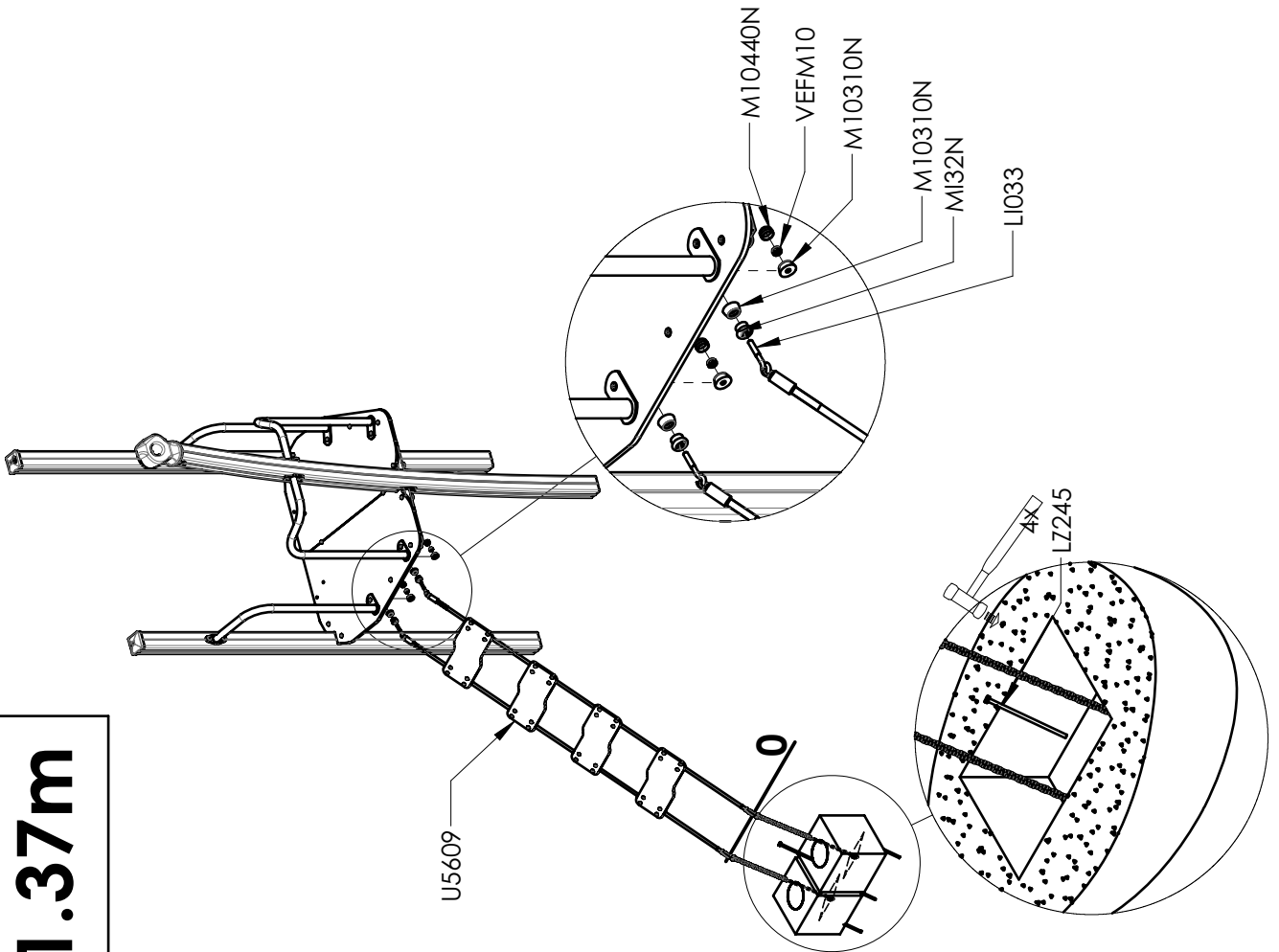
Réf	Qté
LI3838	1
MI2502N	4
VCBHCM6x25I	8
VEBM6	8



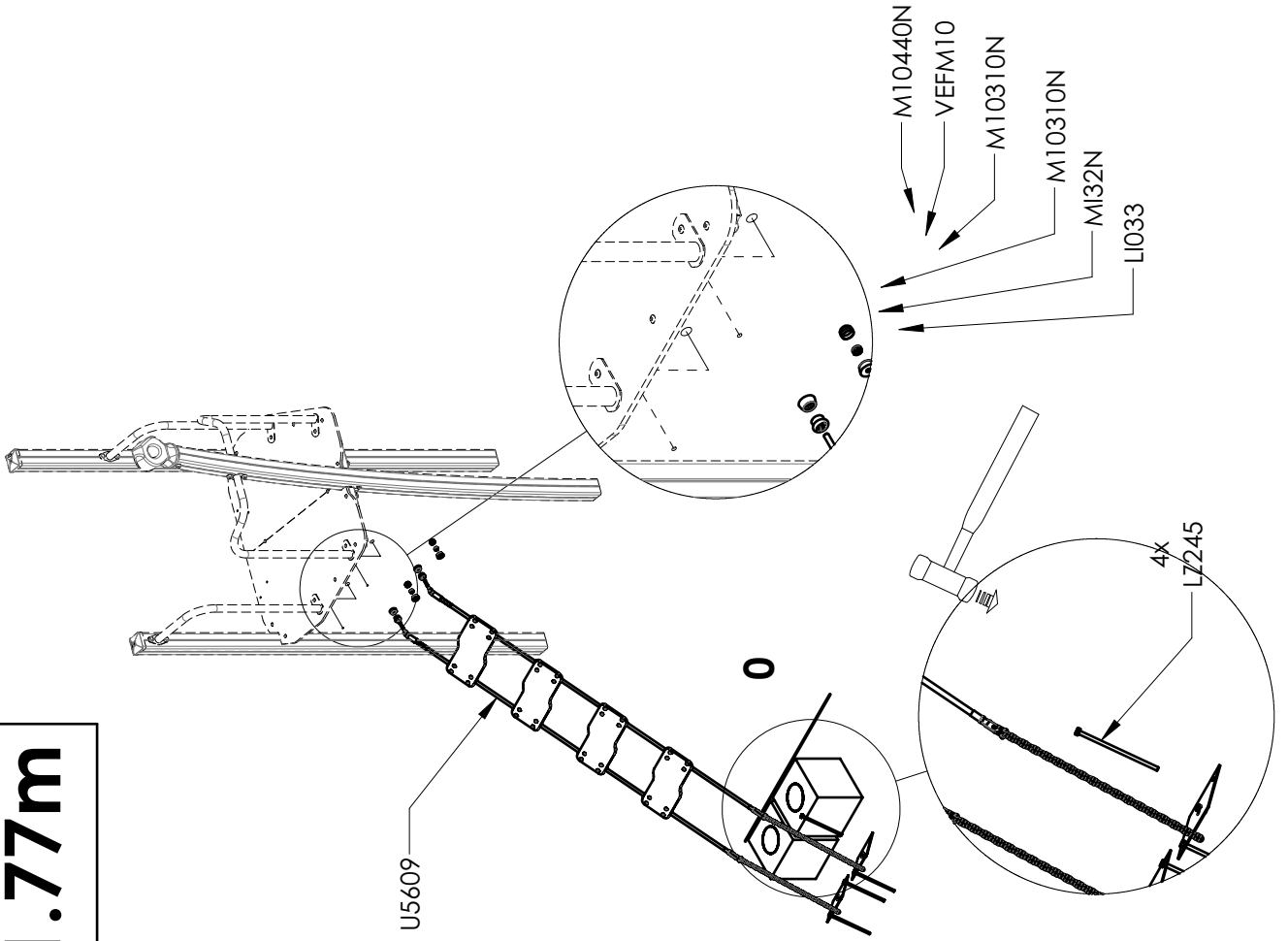
LI033	2
LZ245	4
M10310N	4
M10440N	2
MI32N	2
U5609	1
VEFM10	2

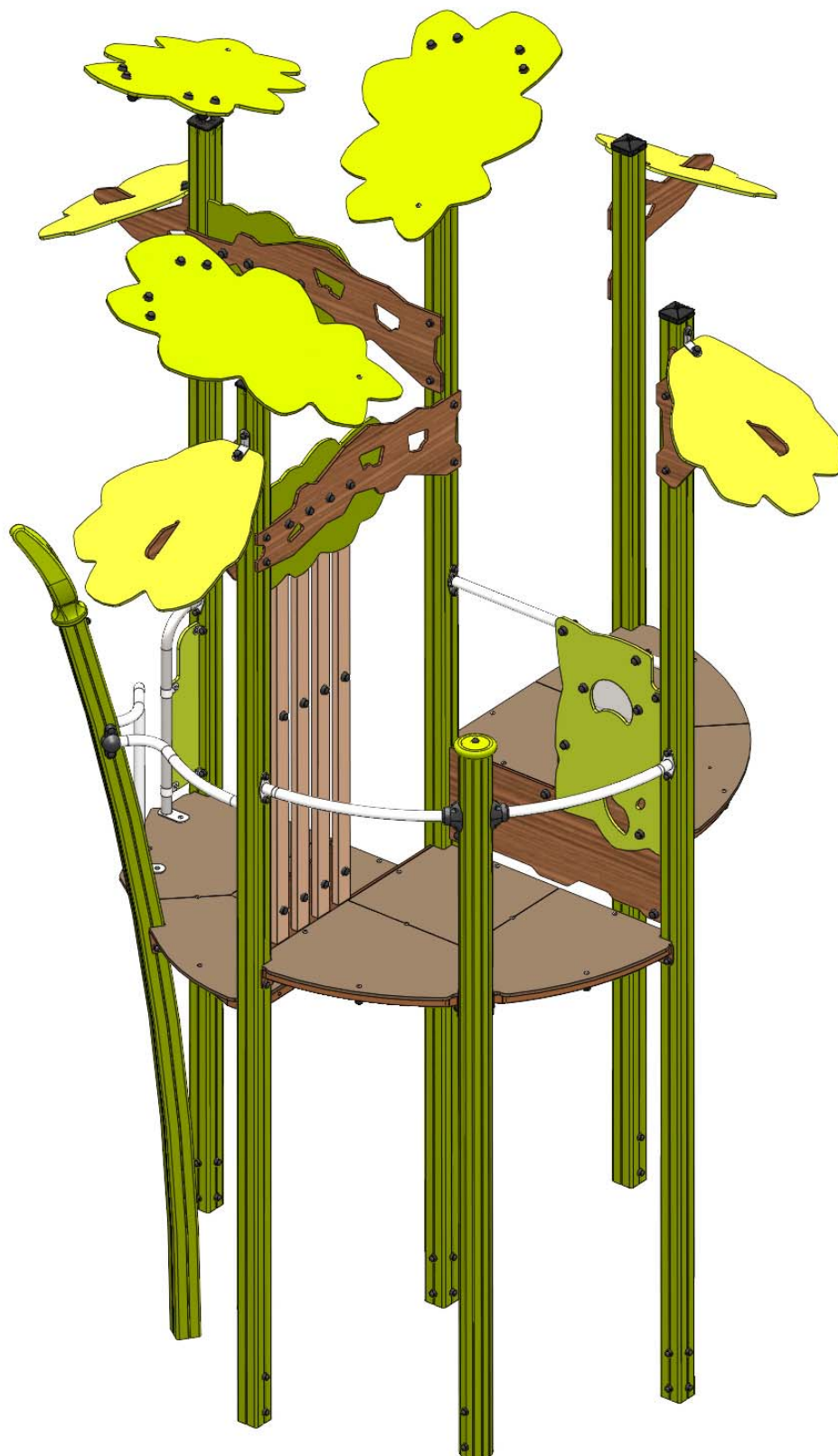
G5628A

1.37m



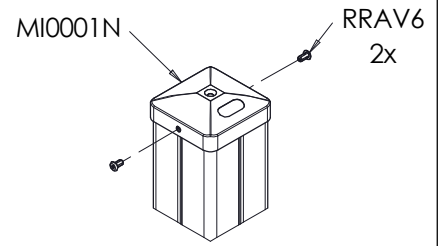
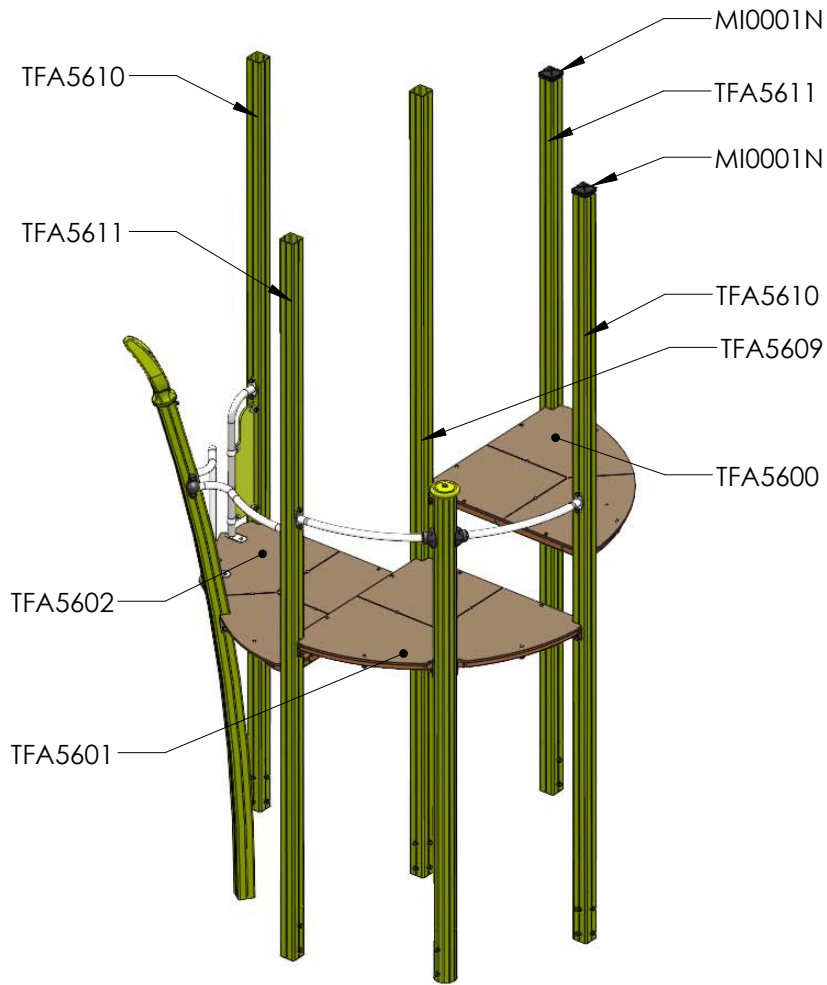
1.77m



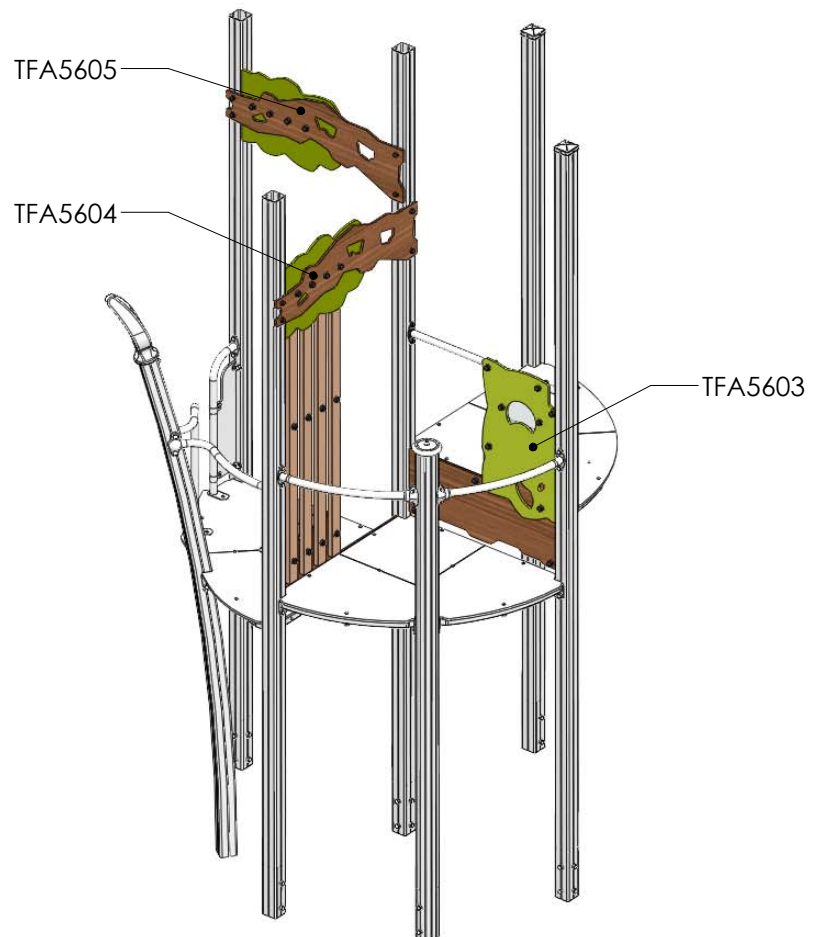


TFA5600	1
TFA5601	1
TFA5602	1
TFA5603	1
TFA5604	1
TFA5605	1
TFA5606	3
TFA5607	4
TFA5609	1
TFA5610	2
TFA5611	2
MI0001N	2
RRAV6	4

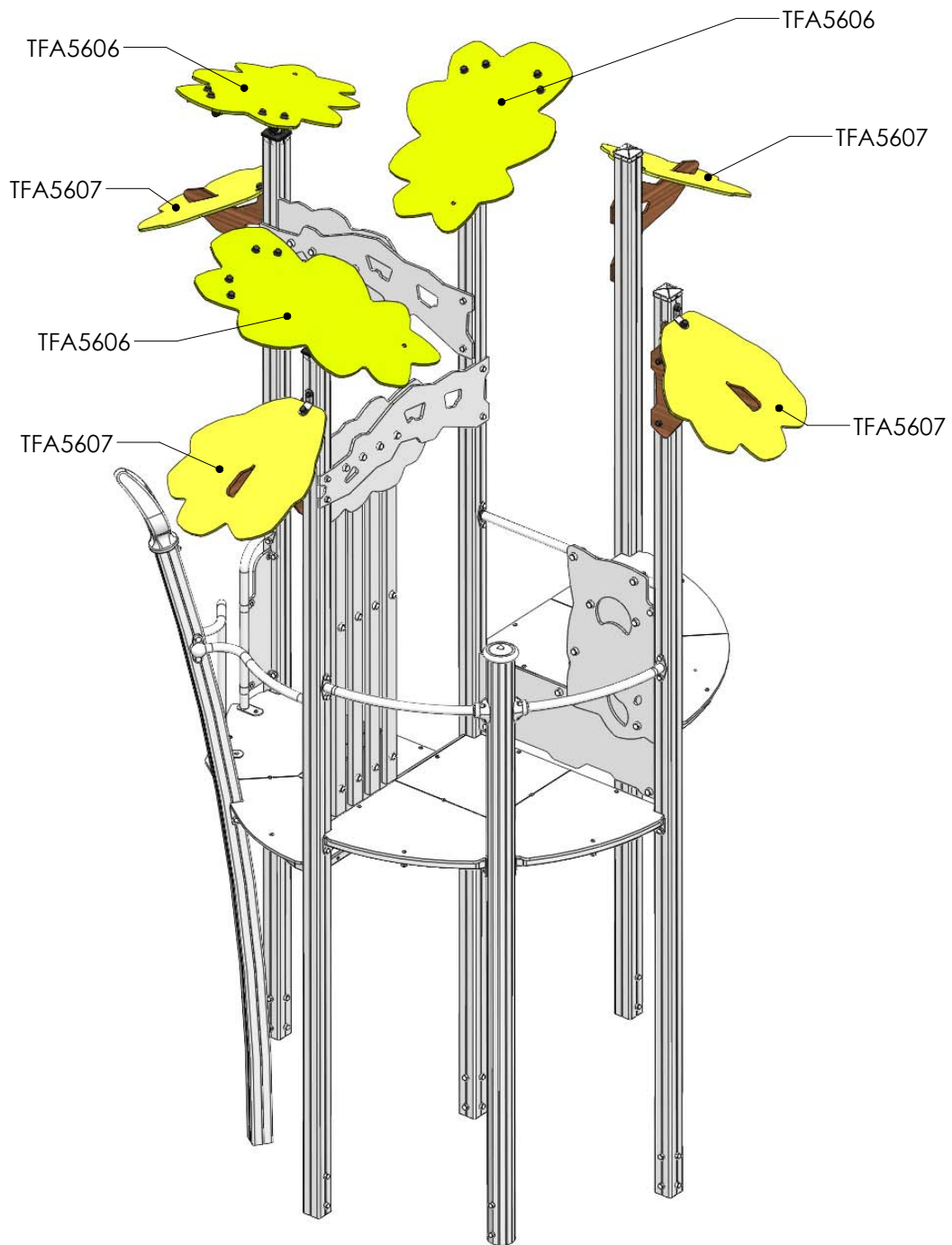
1



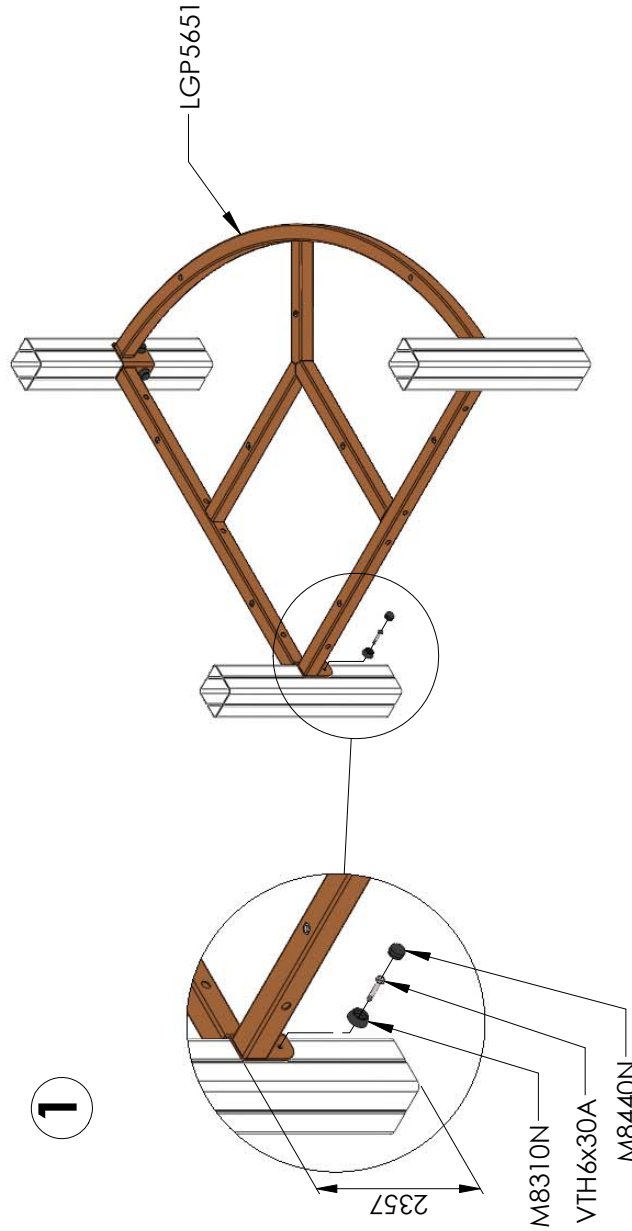
2



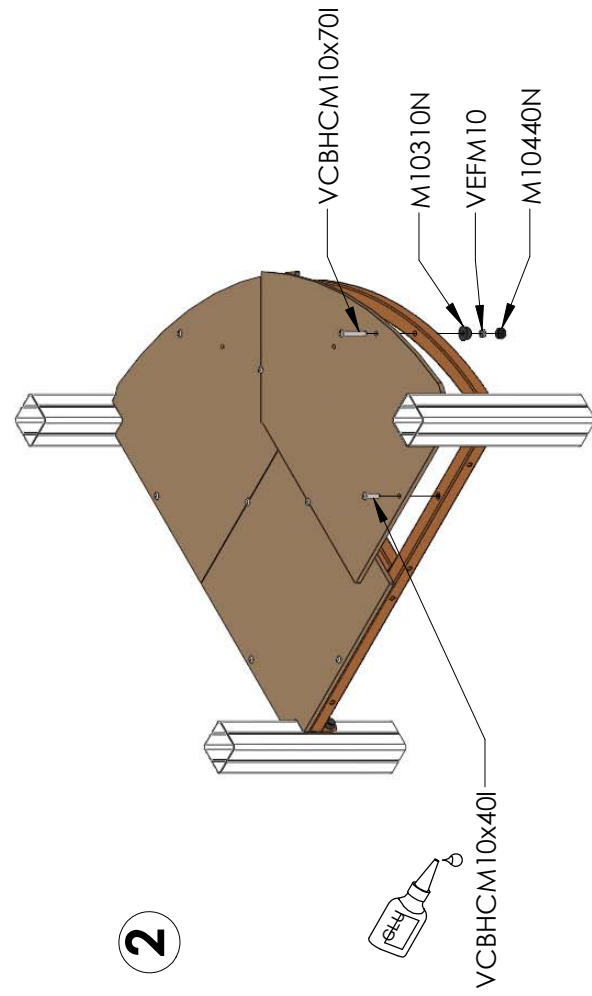
3



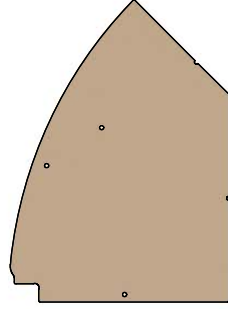
**1**



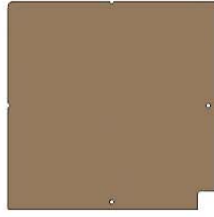
**2**



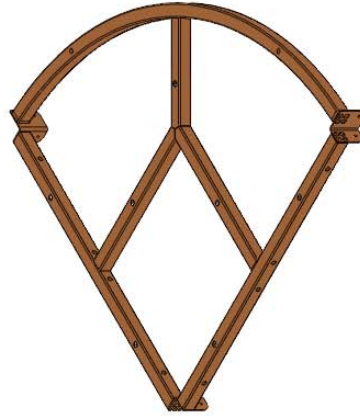
2x  
FT5662



1x  
FT5661

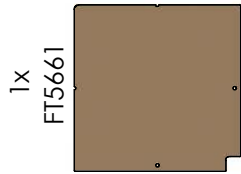
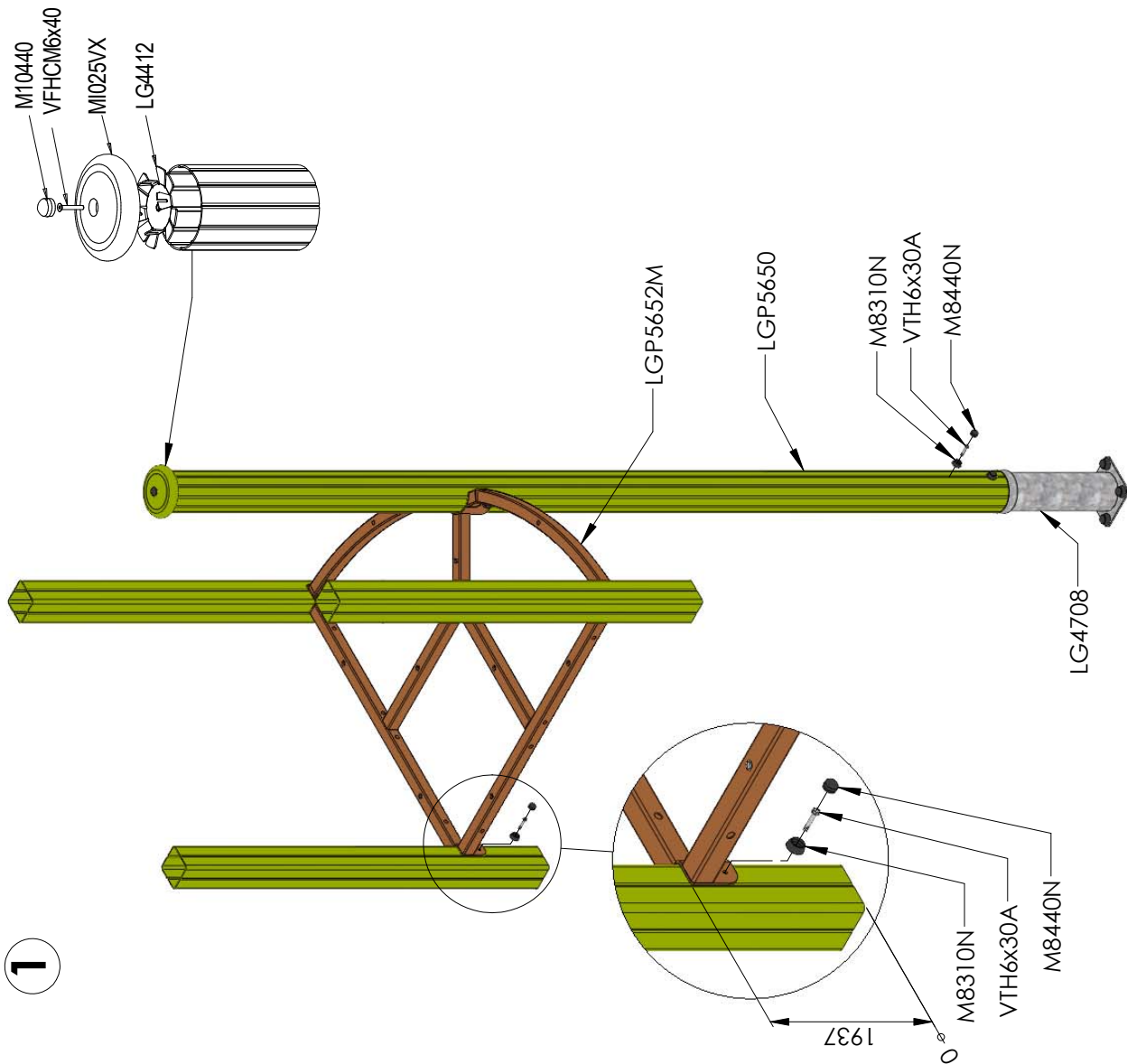


1x  
LGP5651

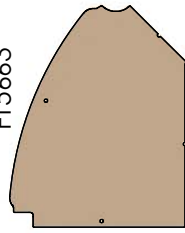


Réf	Qté
FT5661	1
FT5662	2
LGP5651M	1
M8310N	6
M8440N	6
M10310N	2
M10440N	2
VCBHCM10x40I	7
VCBHCM10x70I	2
VEFM10	2
VTH6x30A	6

1



1x  
FT5661



2x  
FT5663



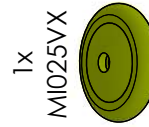
1x  
LGP5650



2x  
LI5661



2x  
MI3701



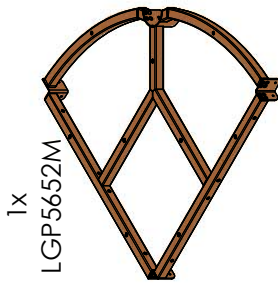
1x  
MI025VX



1x  
LG4412



1x  
LG4708



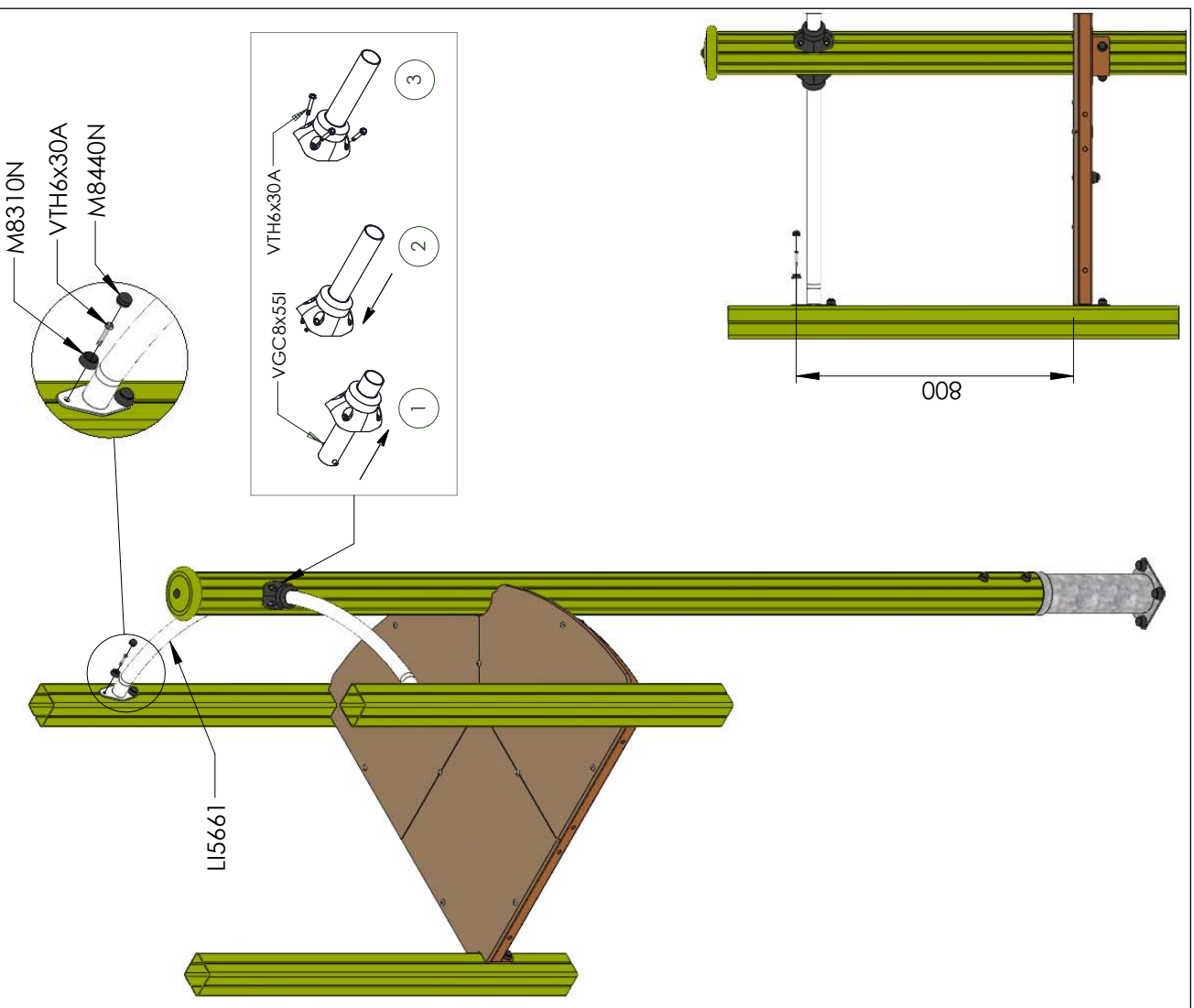
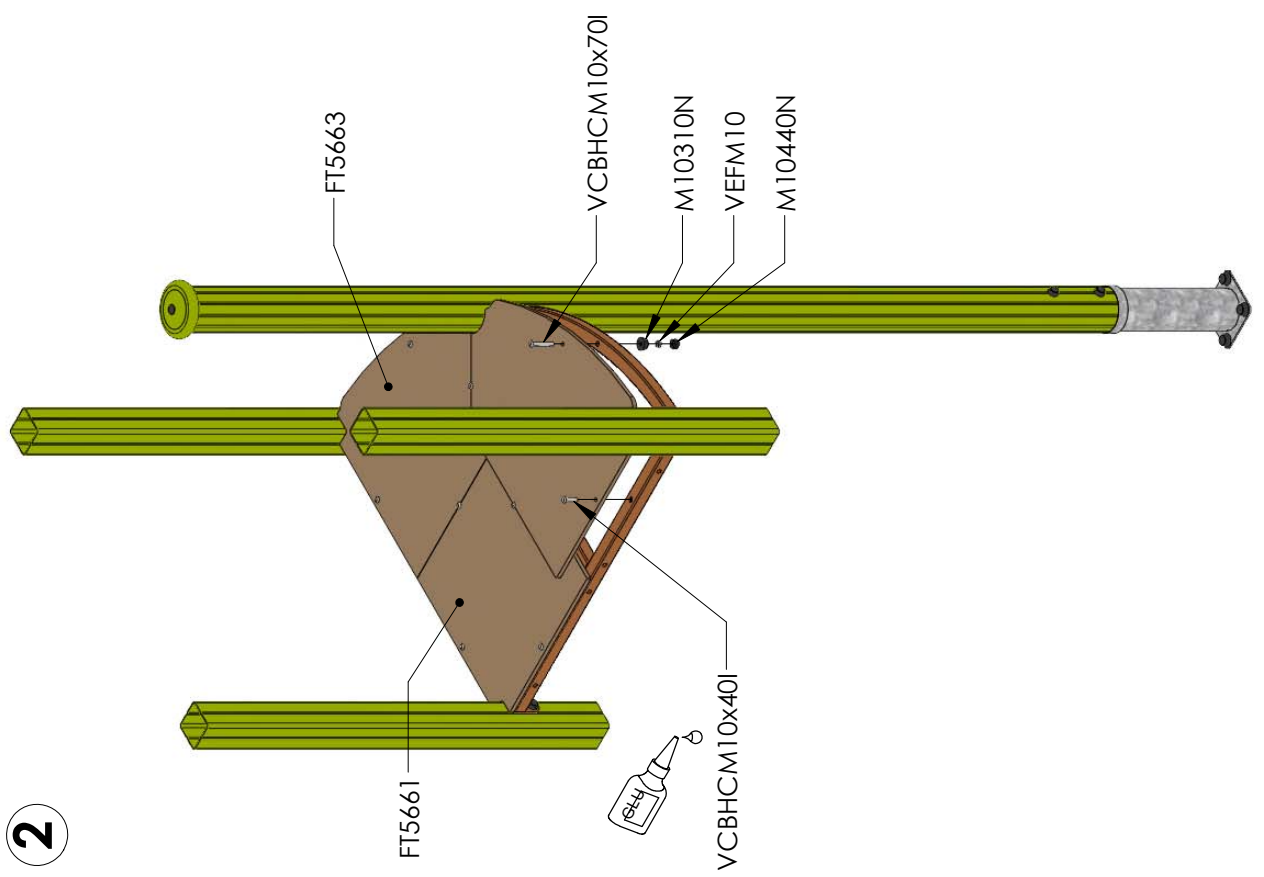
1x  
LGP5652M

FT5661	1
FT5663	2
LG4412	1
LG4708	1
LGP5650	1
LGP5652M	1
LI5661	2
M8310N	16
M8440N	16
M10310N	6
M10440N	7
MI025VX	1
MI3701	2
RD14M10	4
VCBHCM10x40I	7
VCBHCM10x70I	2
VEFM10	2
VFHCM6x40	1
VGC8x55I	2
VTH6x30A	24

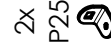
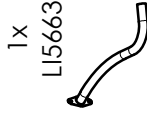
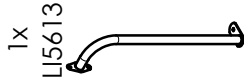
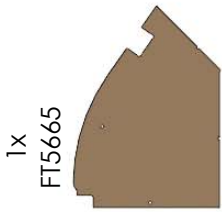
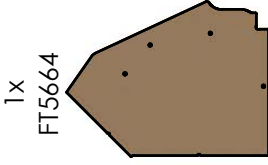
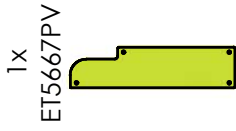
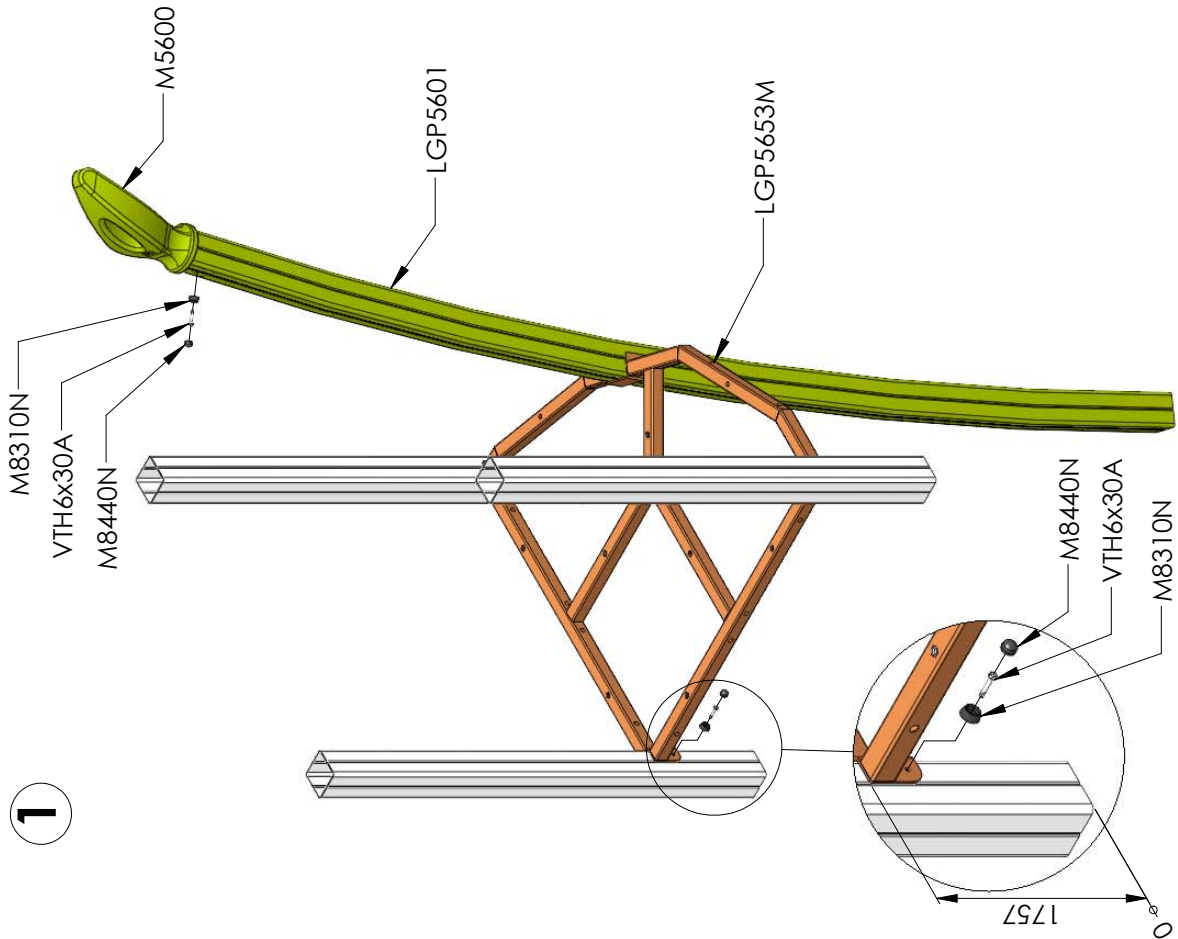


**2**

**3**

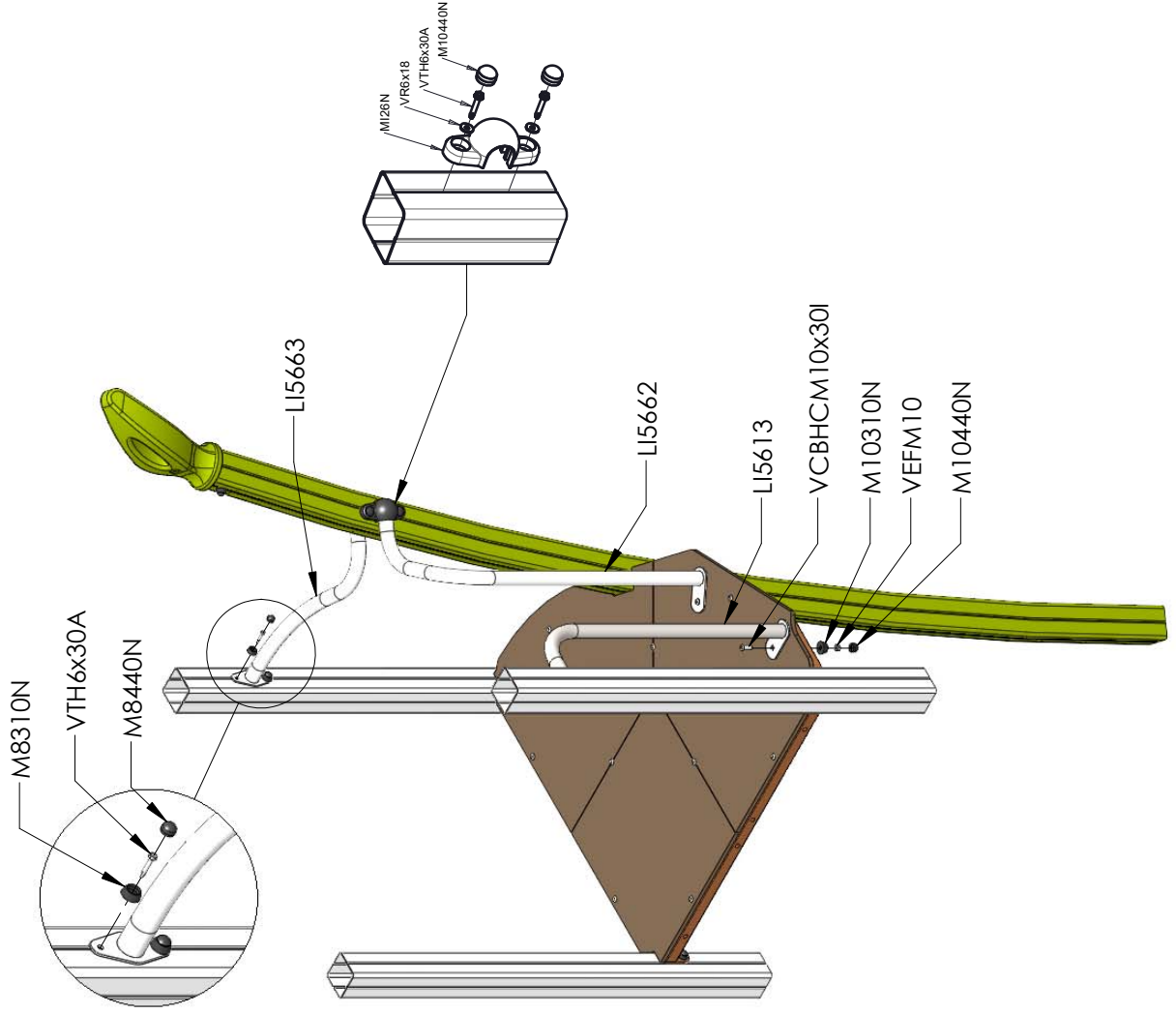


1

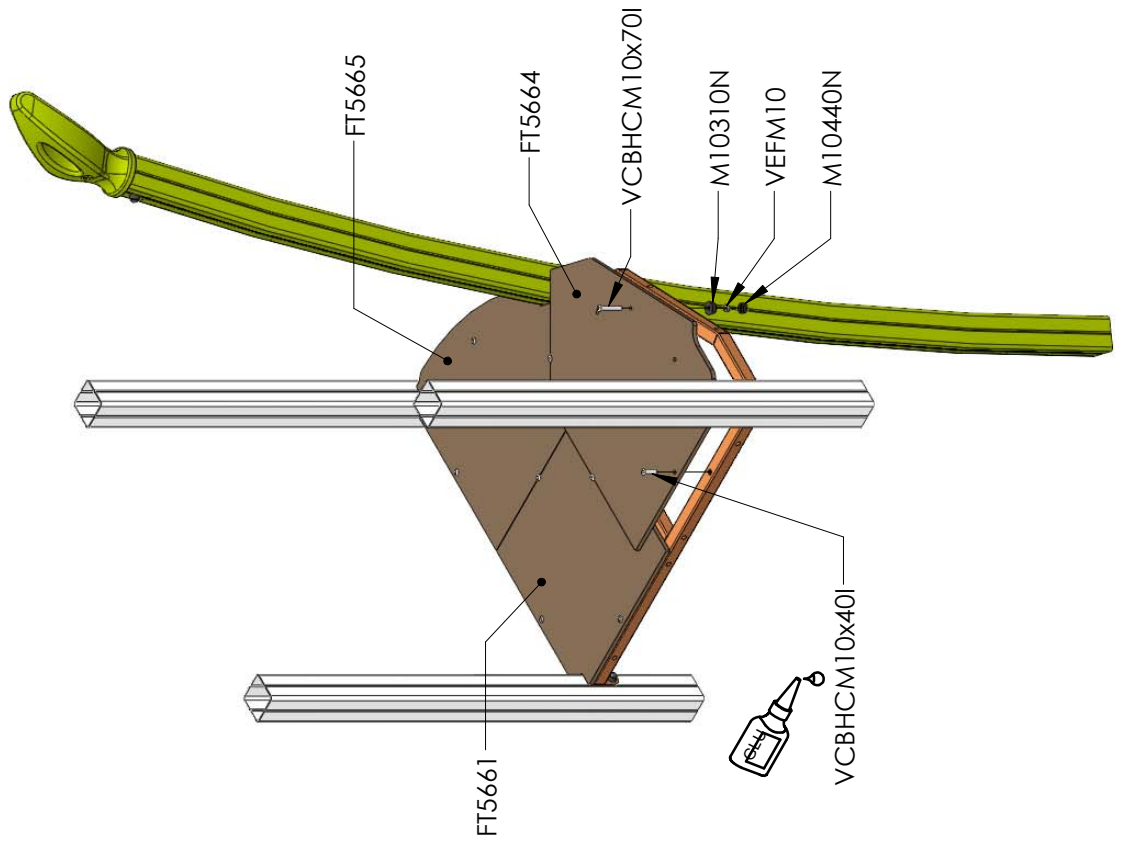


ET5667PV	1
FT5661	1
FT5664	1
FT5665	1
LGP5601	1
LGP5653M	1
LI4505	2
LI5613	1
LI5662	1
LI5663	1
M5600	1
M8310N	15
M8440N	15
M10310N	8
M10440N	12
MI26N	2
P25	2
VCBHC M10x30I	6
VCBHC M10x40I	7
VCBHC M10x70I	2
VEFM10	8
VR6x18	4
VTH6x30A	19

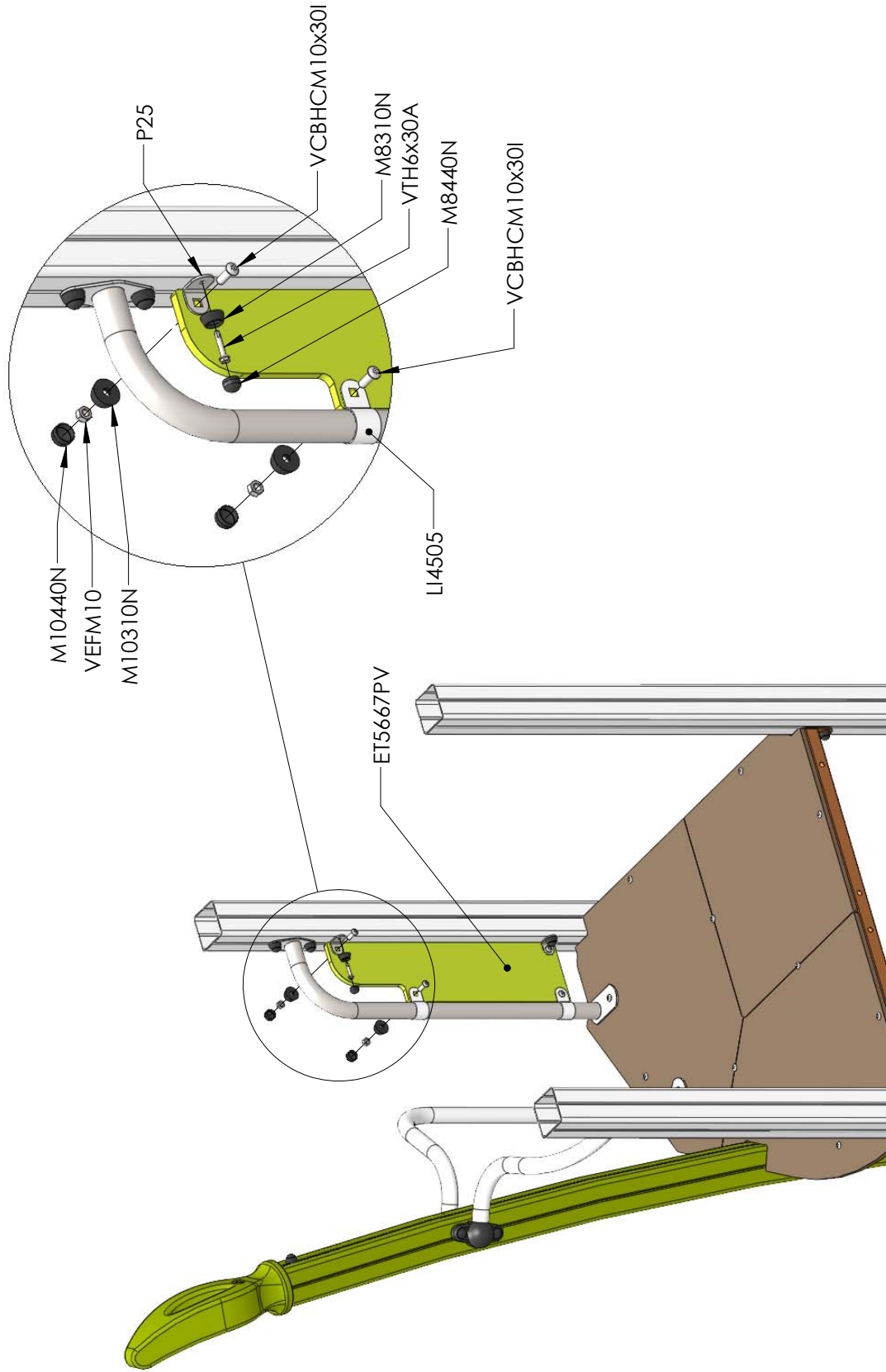
3

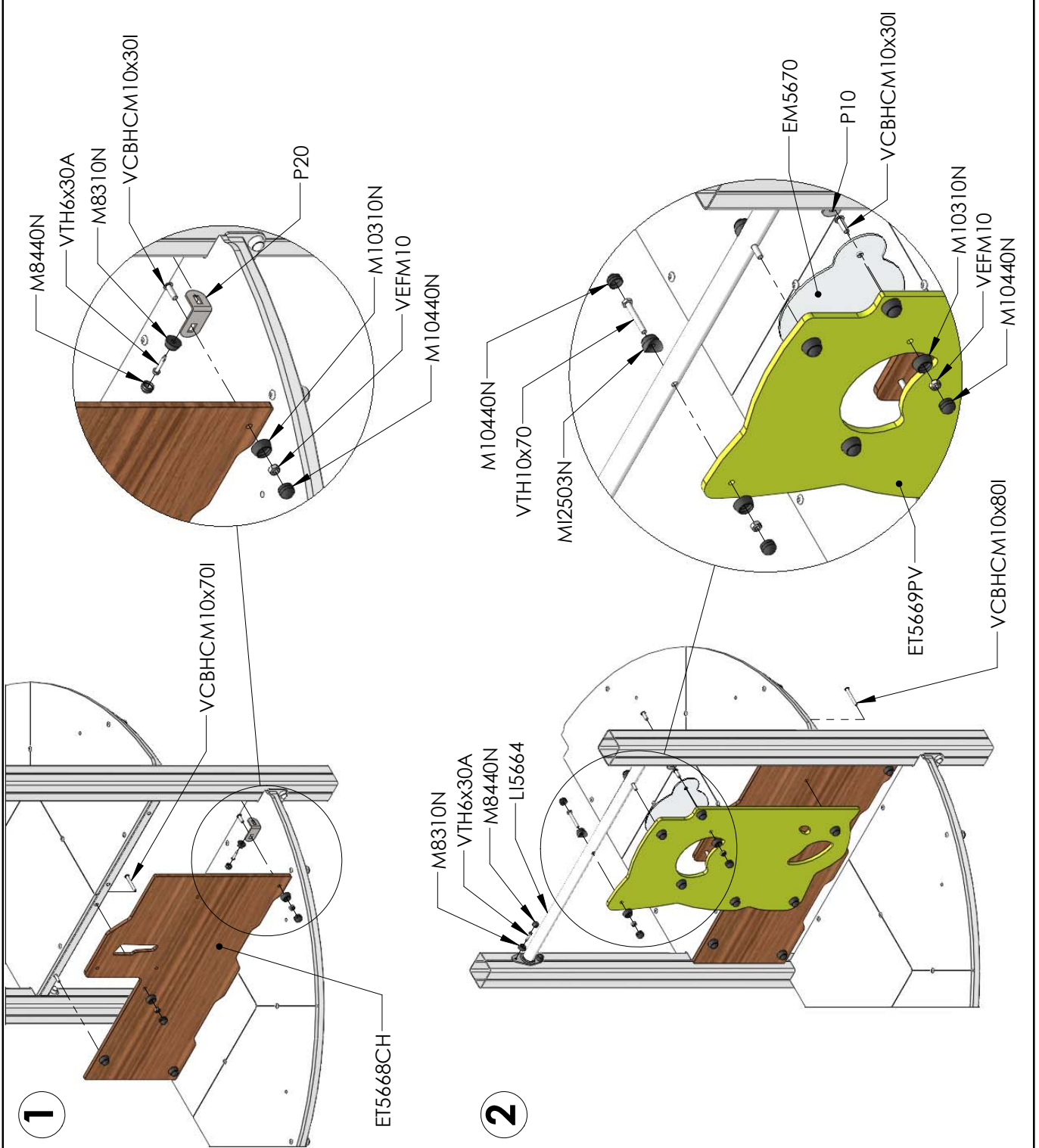


2

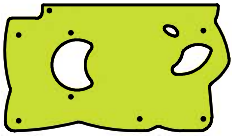


4





1x  
ET5669PV



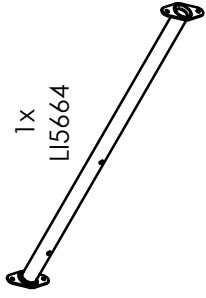
1x  
EM5670



1x  
ET5668CH



1x  
LI5664



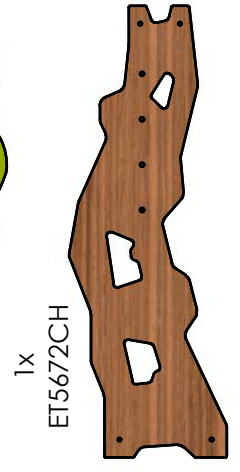
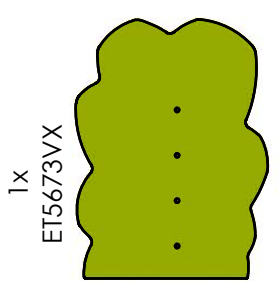
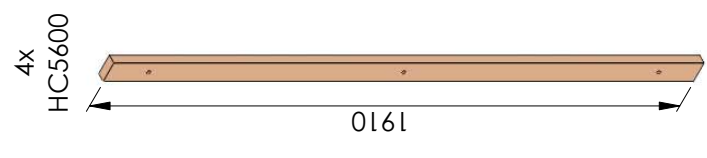
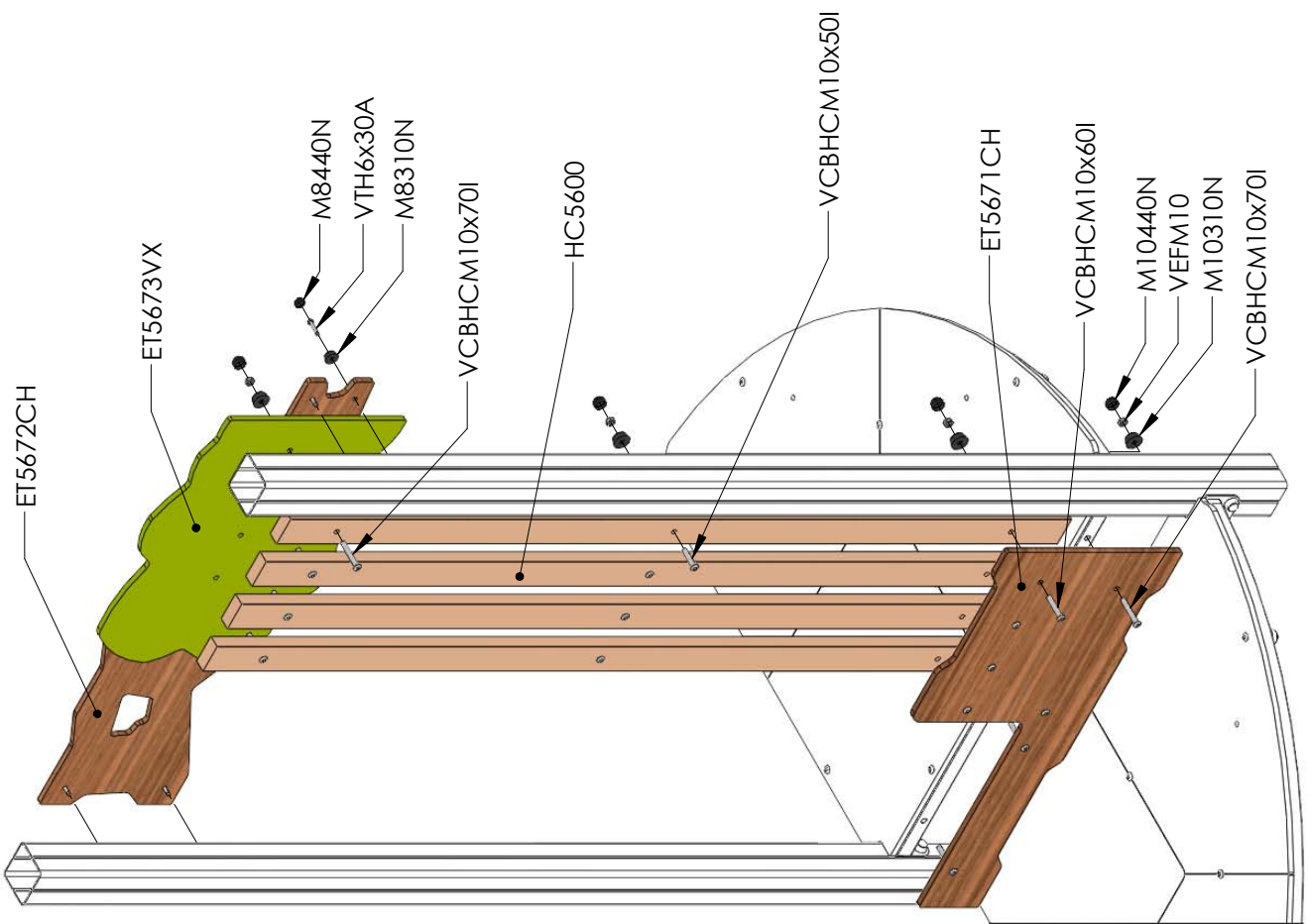
2x  
P20



1x  
P10

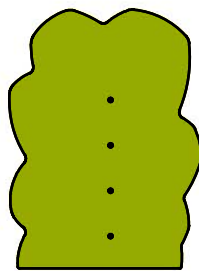


Réf	Qté
EM5670	1
ET5668CH	1
ET5669PV	1
LI5664	1
M8310N	7
M8440N	7
M10310N	12
M10440N	14
M12503N	2
P10	1
P20	2
VCBHC10x30I	5
VCBHC10x40I	1
VCBHC10x70I	2
VCBHC10x80I	2
VEFM10	12
VTH6x30A	7
VTH10x70	2

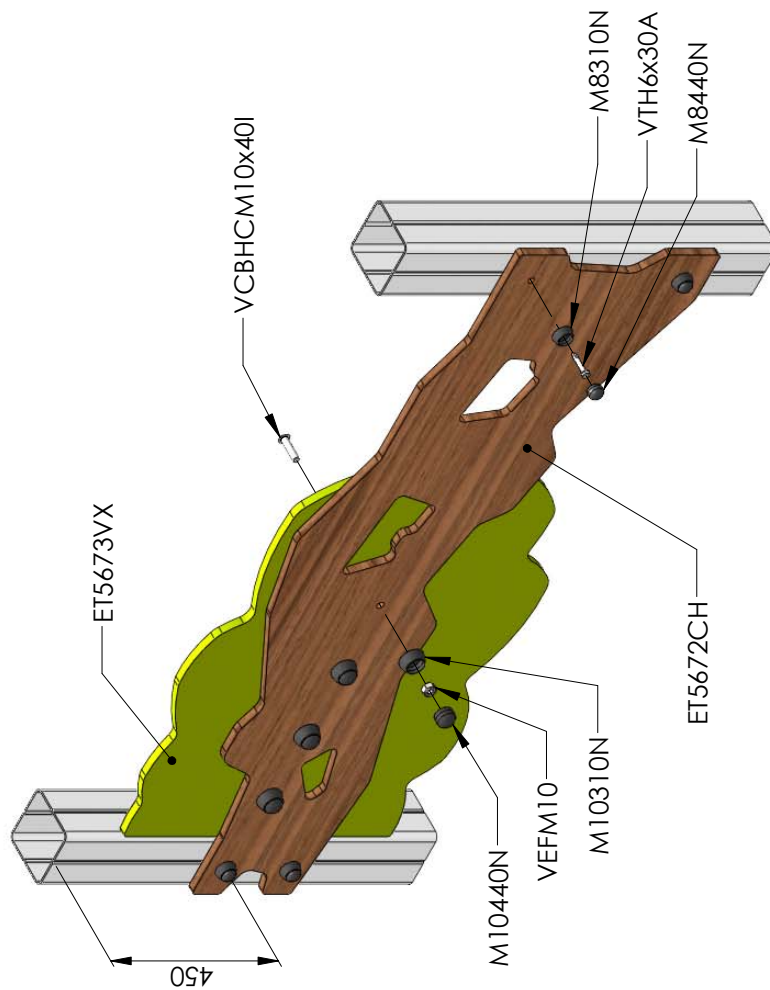


ET5671CH	1
ET5672CH	1
ET5673VX	1
HC5600	4
M8310N	4
M8440N	4
M10310N	16
M10440N	16
VCBHCM10x50I	4
VCBHCM10x60I	4
VCBHCM10x70I	8
VEFM10	16
VTH6x30A	4

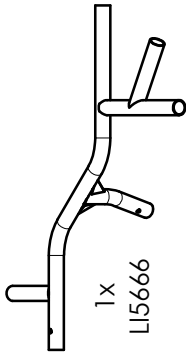
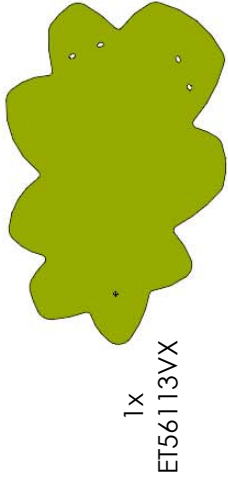
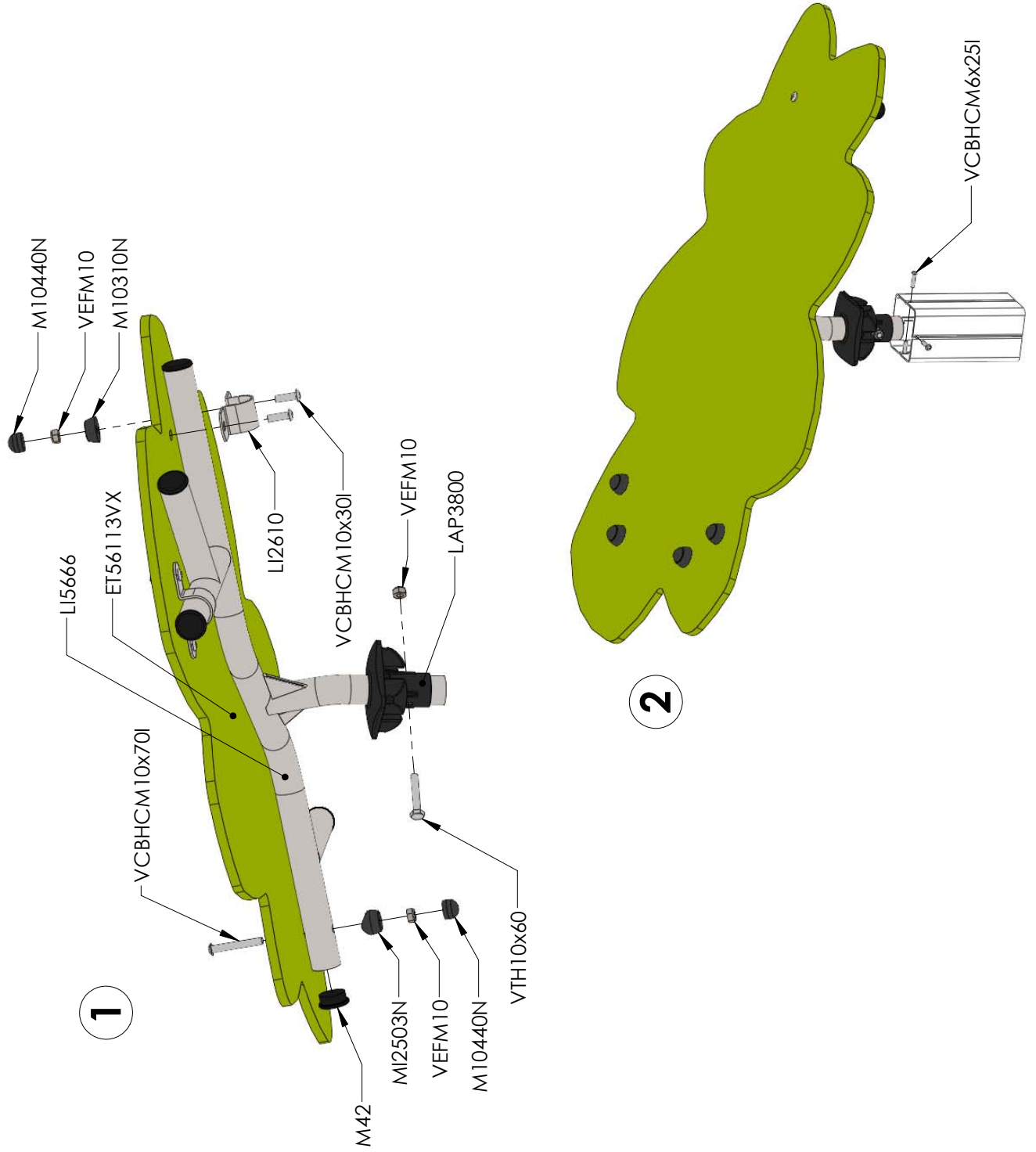
1x  
ET5673VX



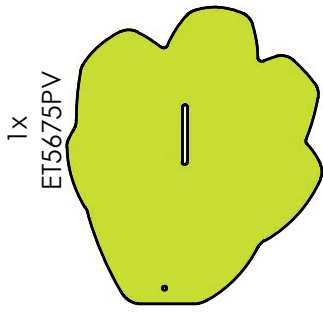
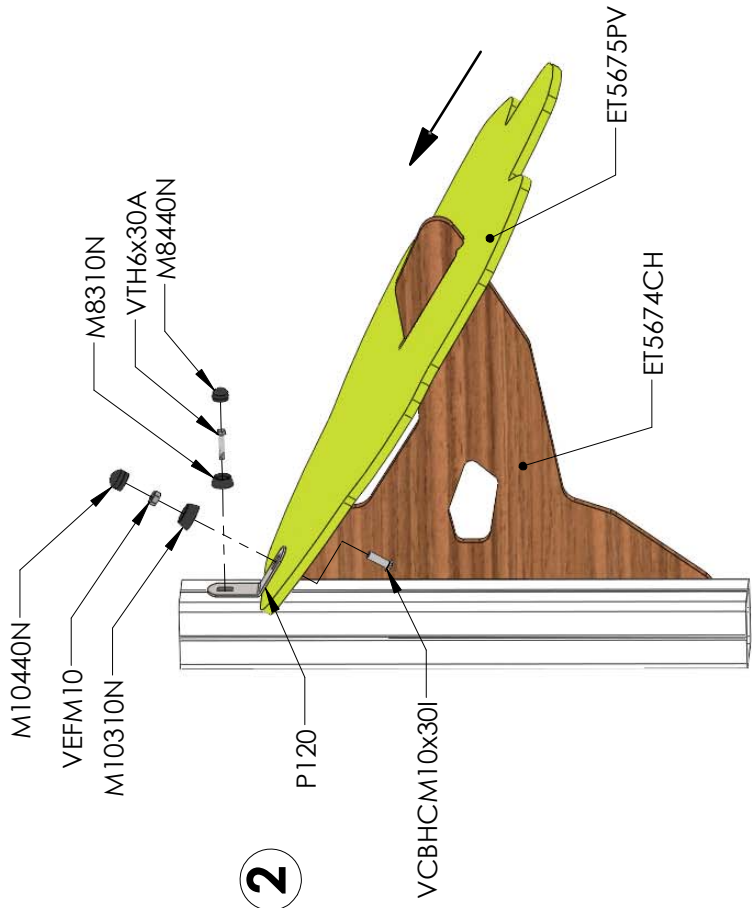
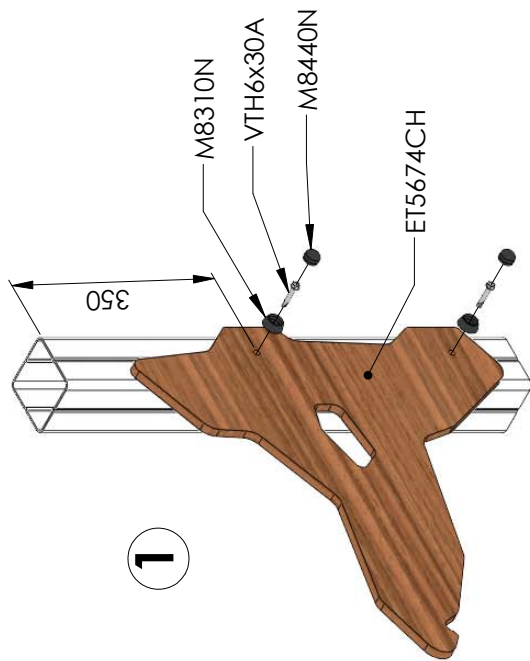
1x  
ET5672CH



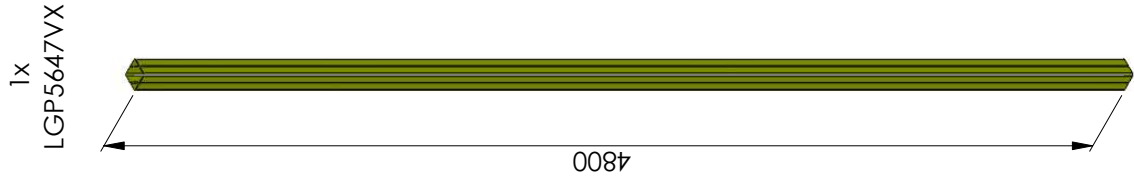
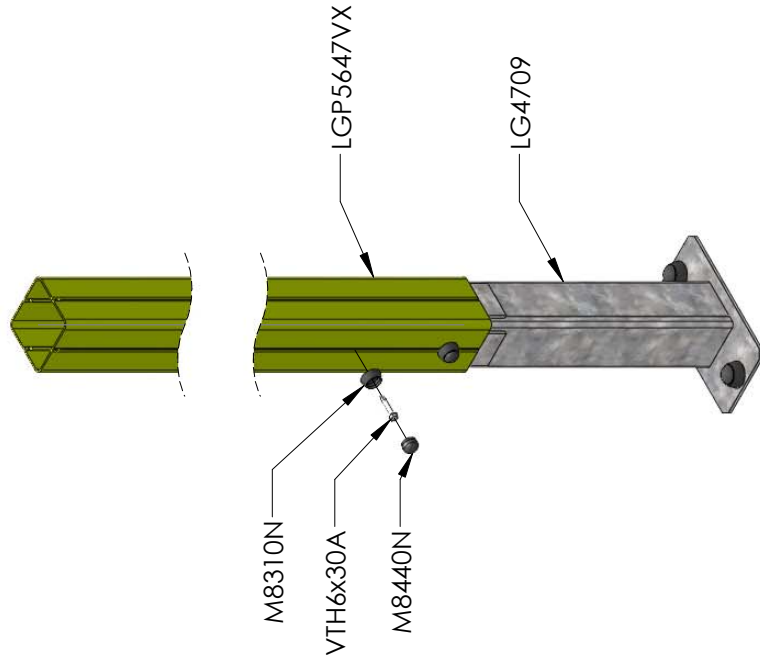
Réf	Qté
ET5672CH	1
ET5673VX	1
M8310N	4
M8440N	4
M10310N	4
M10440N	4
VCBHCM10x40I	4
VEFM10	4
VTH6x30A	4



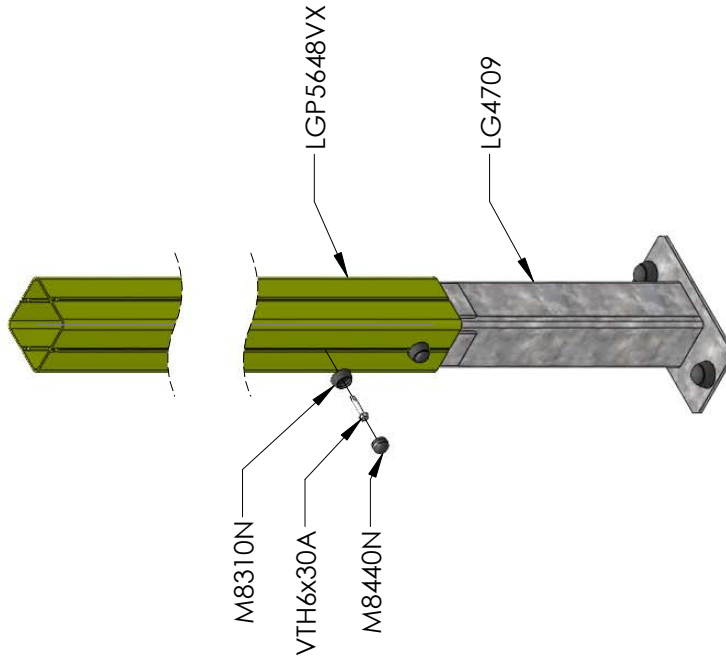
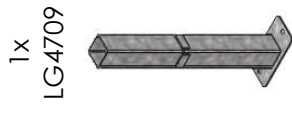
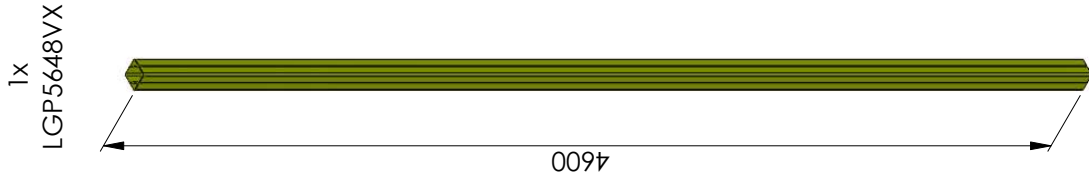




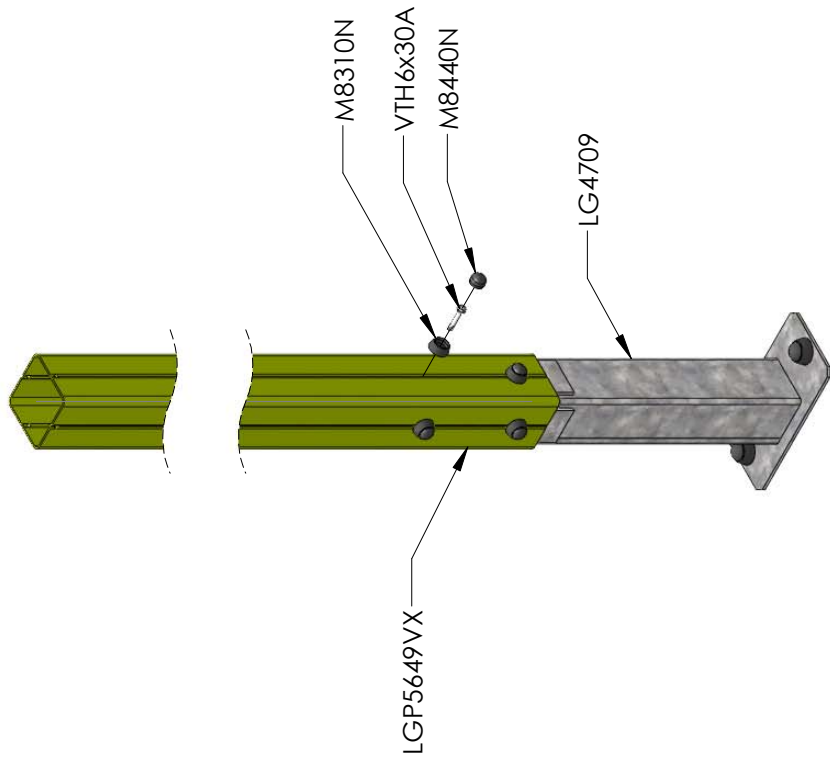
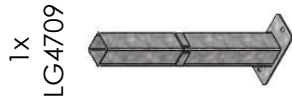
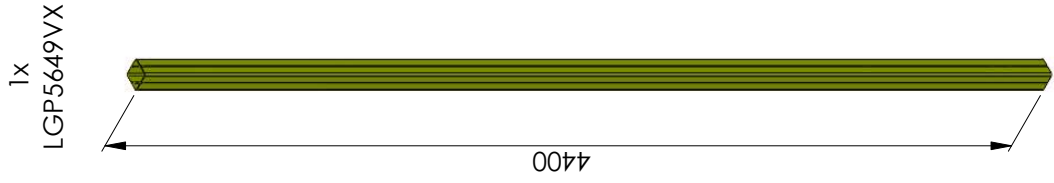
Réf	Qté
ET5674CH	1
ET5675PV	1
M8310N	3
M8440N	3
M10310N	1
M10440N	1
P120	1
VCBHC10x30I	1
VEFM10	1
VTH6x30A	3



Réf	Qté
LG4709	1
LGP5647VX	1
M8310N	4
M8440N	4
M10310N	2
M10440N	2
RD14M10	2
VTH6x30A	4

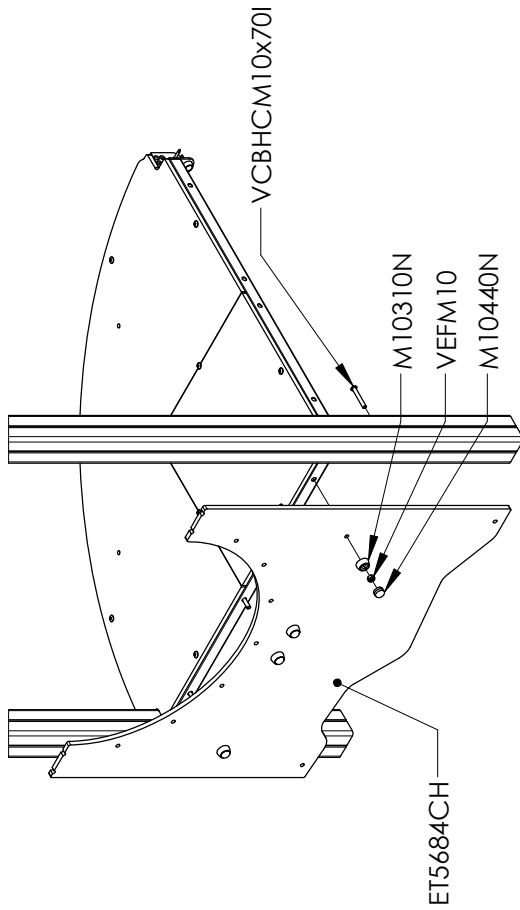


Réf	Qté
LG4709	1
LGP5648VX	1
M8310N	4
M8440N	4
M10310N	2
M10440N	2
RD14M10	2
VTH6x30A	4

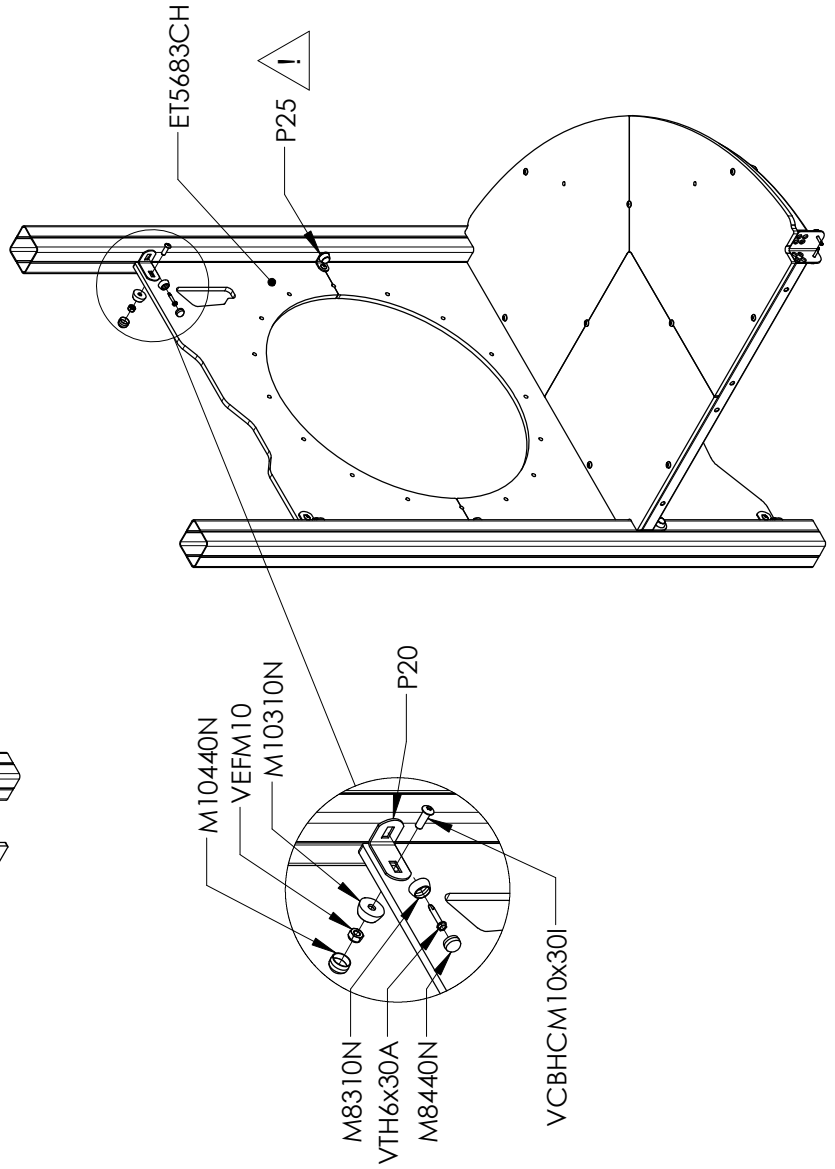


Réf	Qté
LG4709	1
LGP5649VX	1
M8310N	4
M8440N	4
M10310N	2
M10440N	2
RD14M10	2
VTH6x30A	4

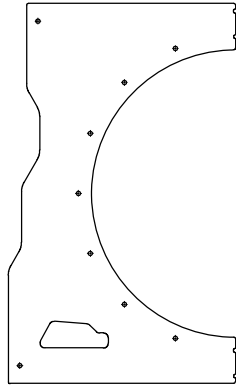
1



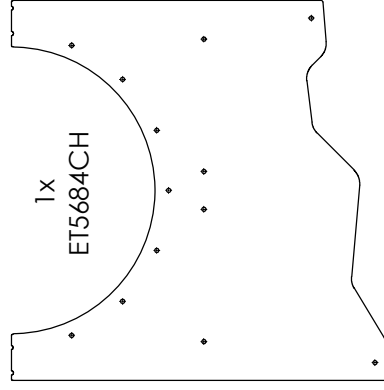
2



1x  
ET5683CH



1x  
ET5684CH



2x  
P25

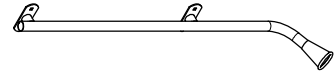
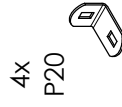
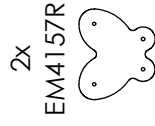
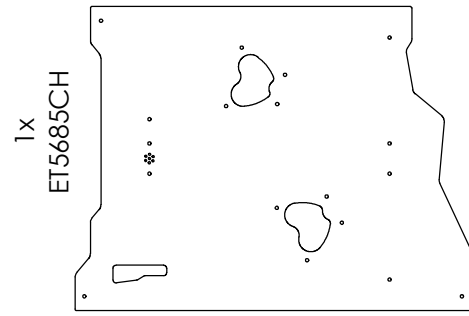
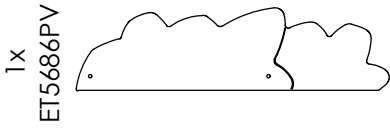
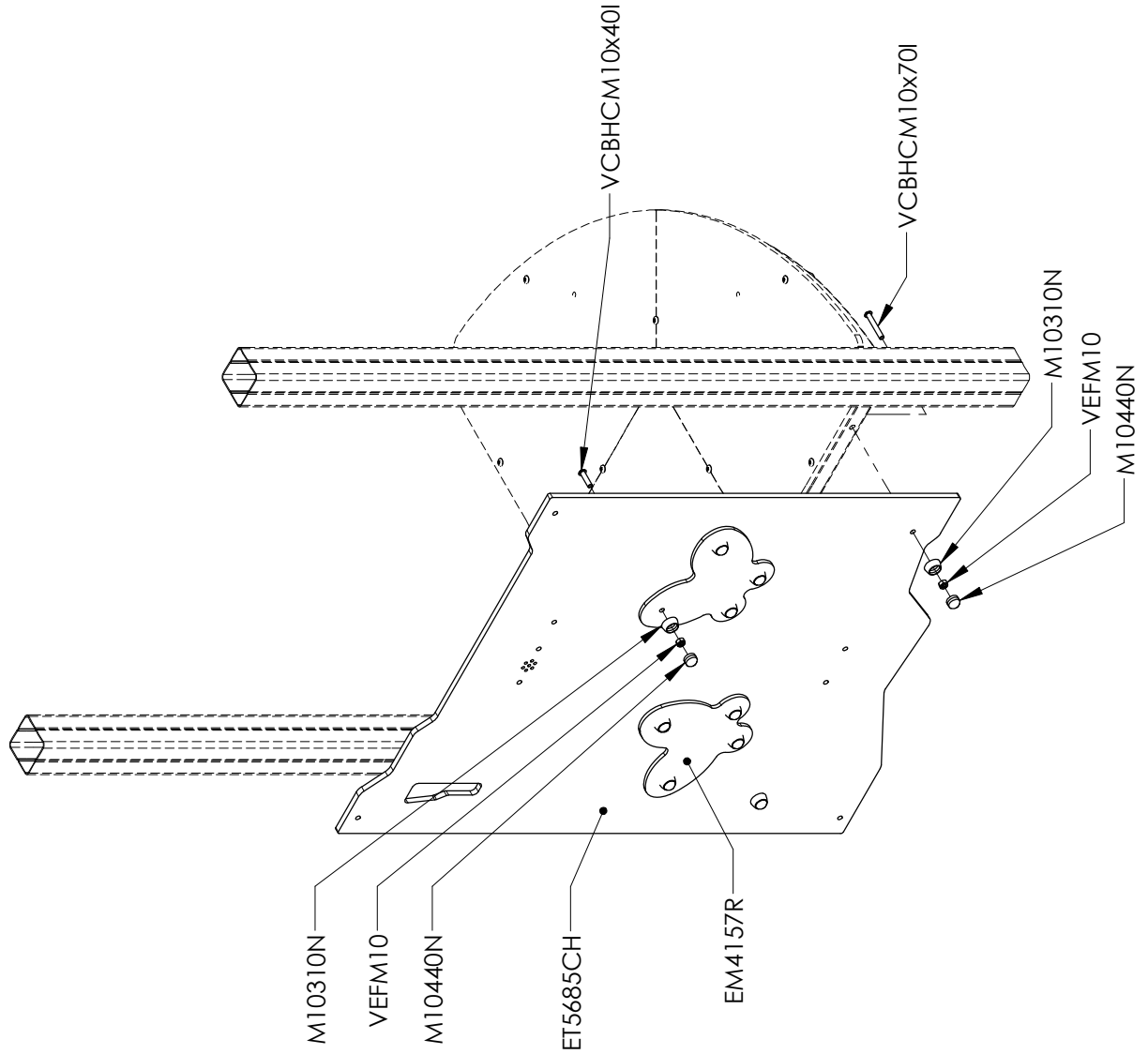


4x  
P20



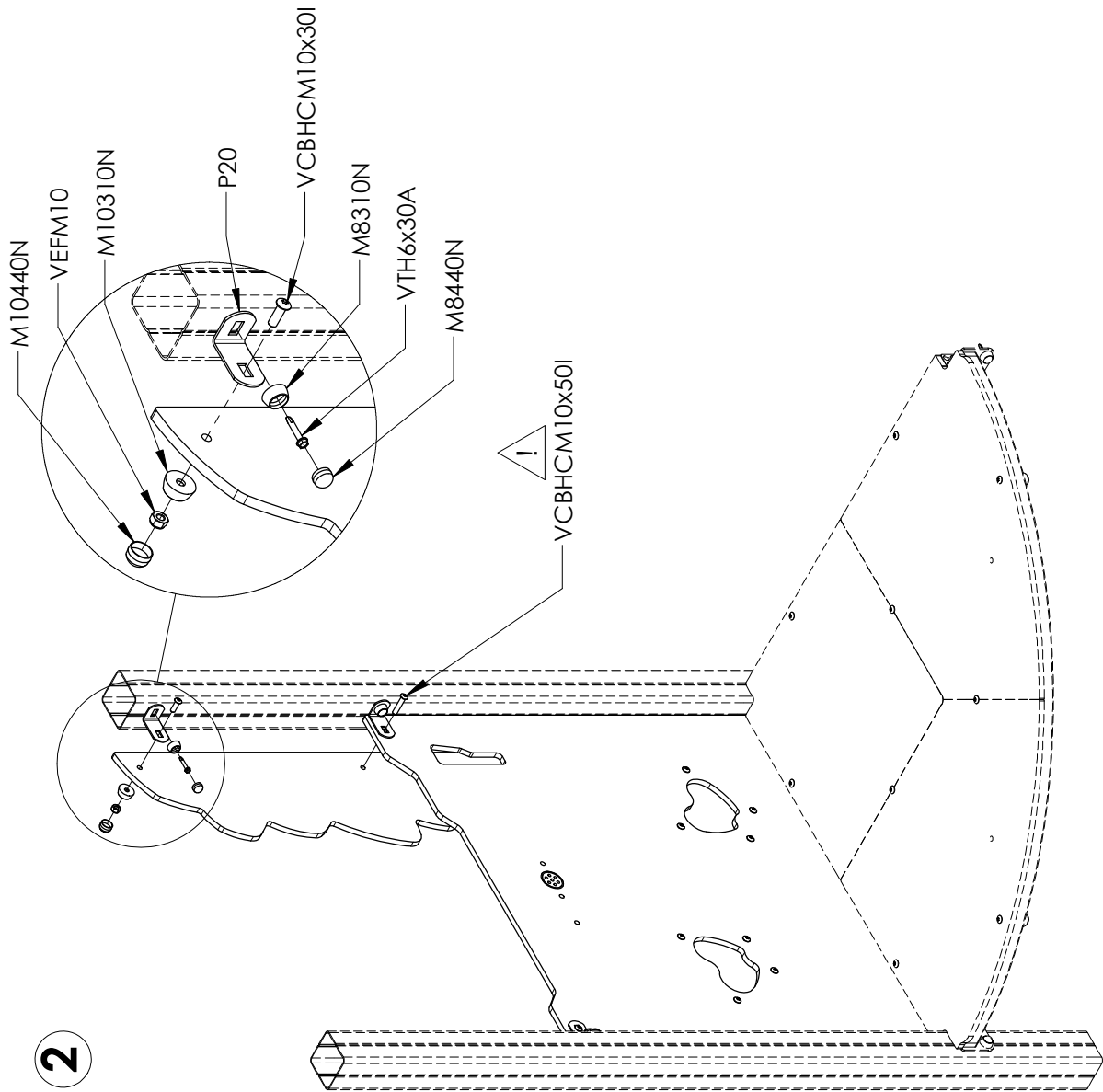
Réf	Qté
ET5683CH	1
ET5684CH	1
M8310N	6
M8440N	6
M10310N	10
M10440N	10
P20	4
P25	2
VCBHC10x30I	6
VCBHC10x70I	4
VEFM10	10
VTH6x30A	6

1

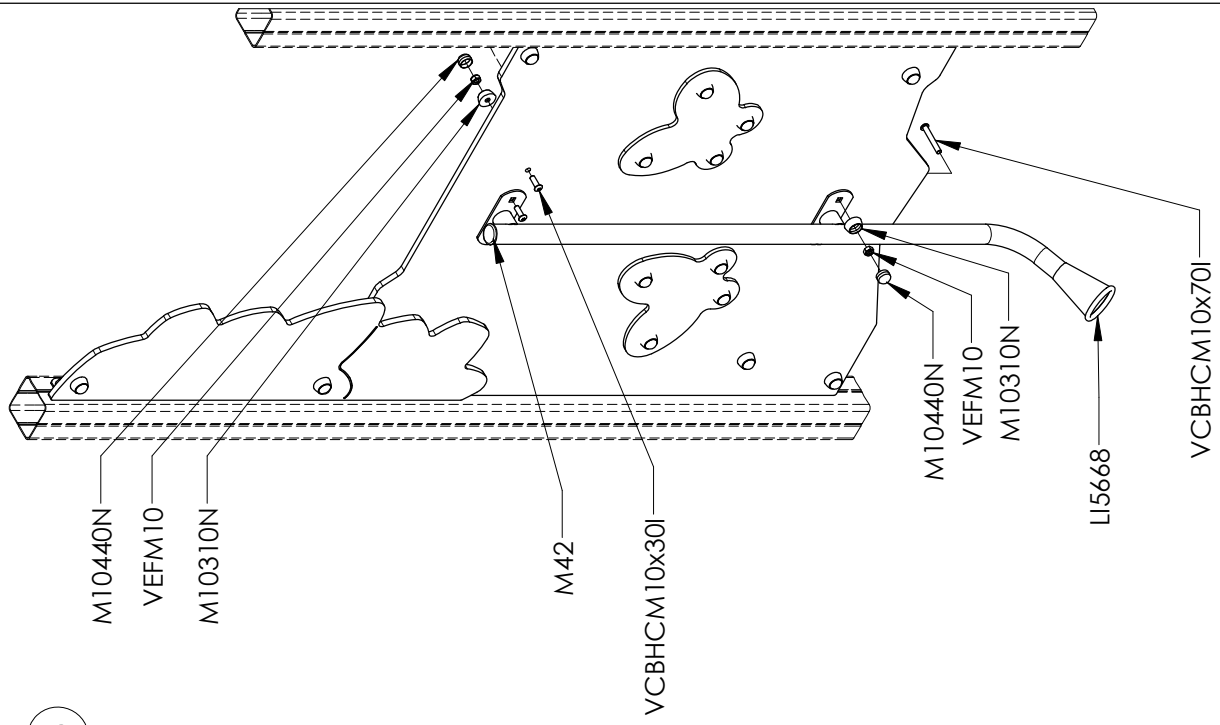


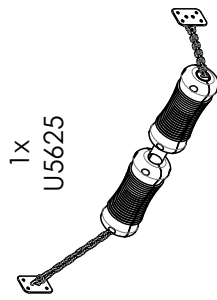
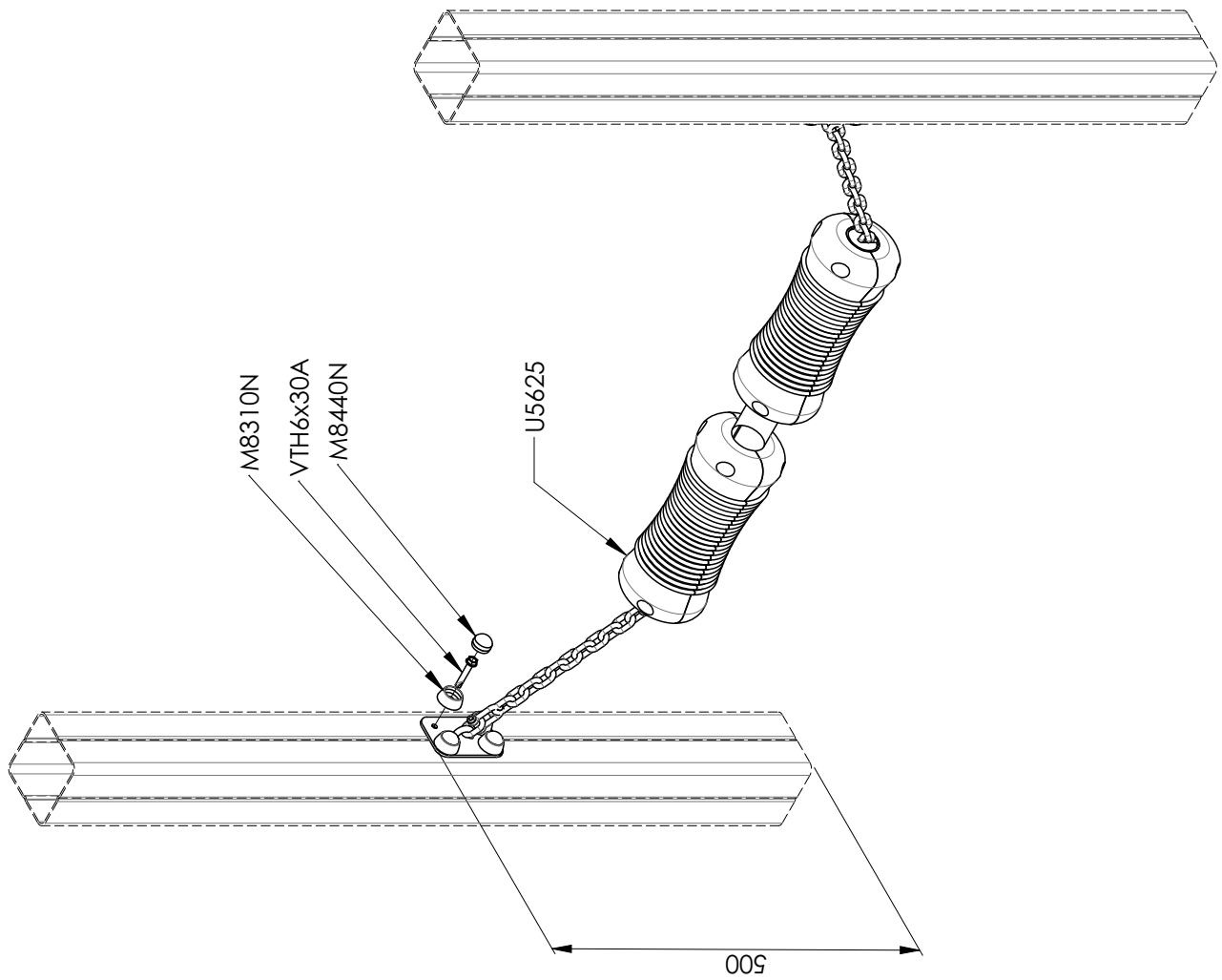
EM4157R	2
ET5685CH	1
ET5686PV	1
L15668	1
M42	1
M8310N	4
M8440N	4
M10310N	19
M10440N	19
P20	4
VCBHCM10x30I	6
VCBHCM10x40I	8
VCBHCM10x50I	1
VCBHCM10x70I	4
VEFM10	19
VTH6x30A	4

2



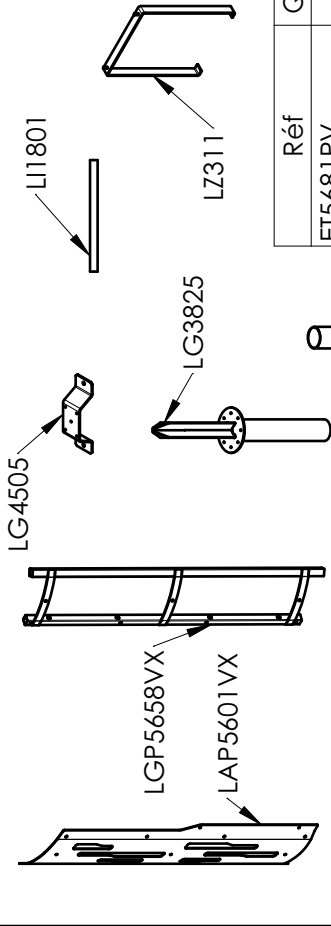
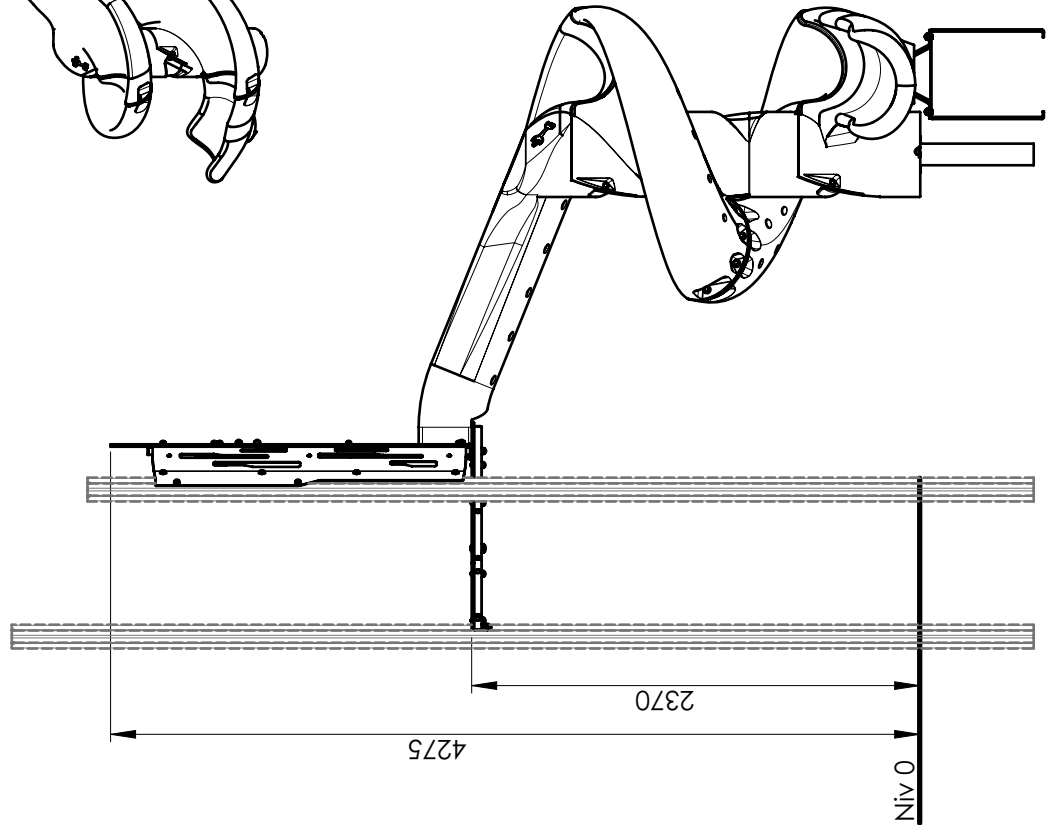
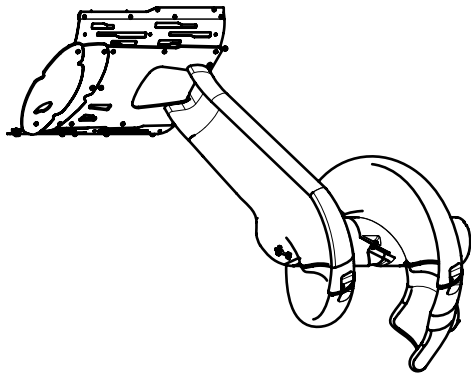
3



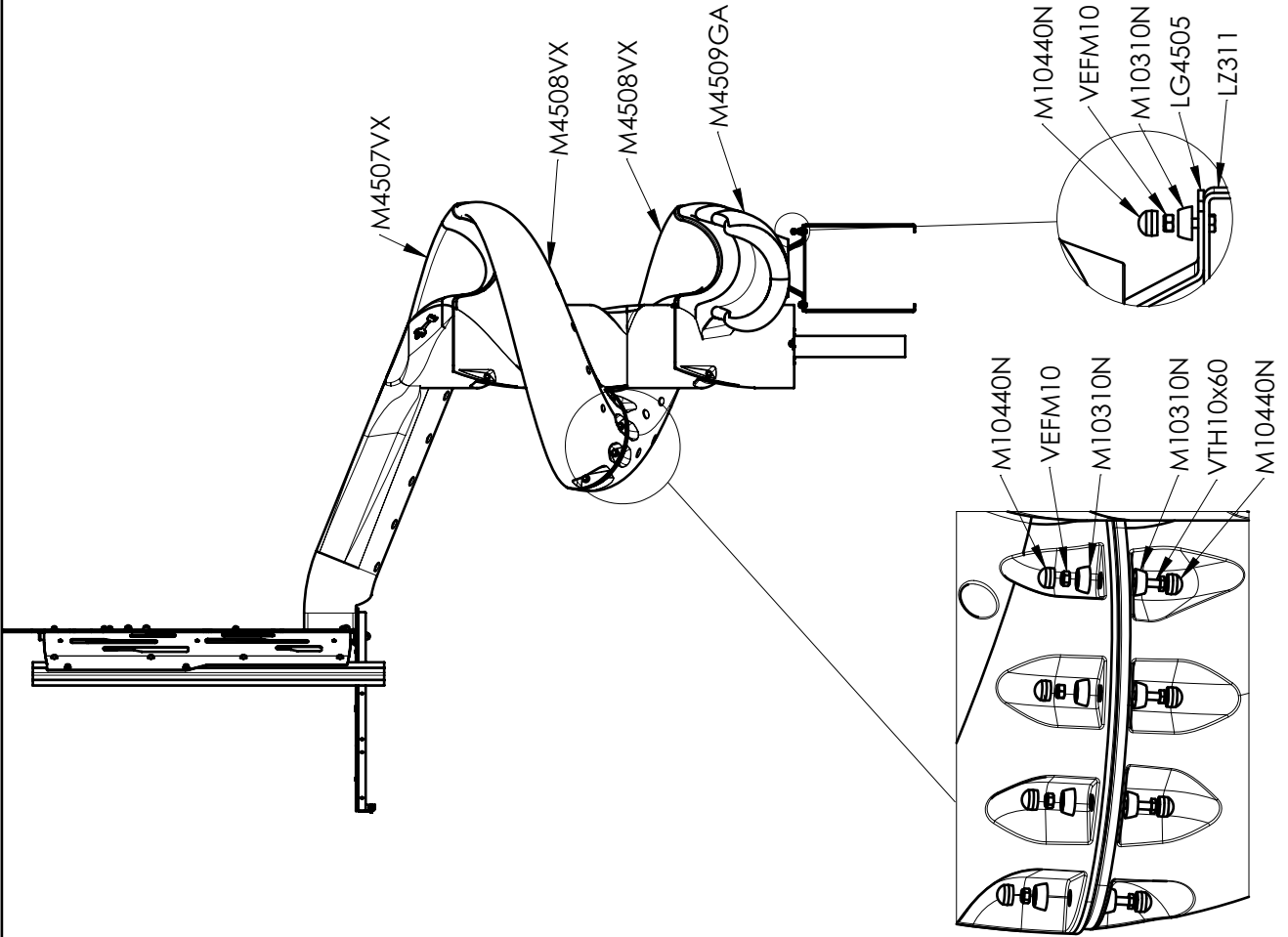
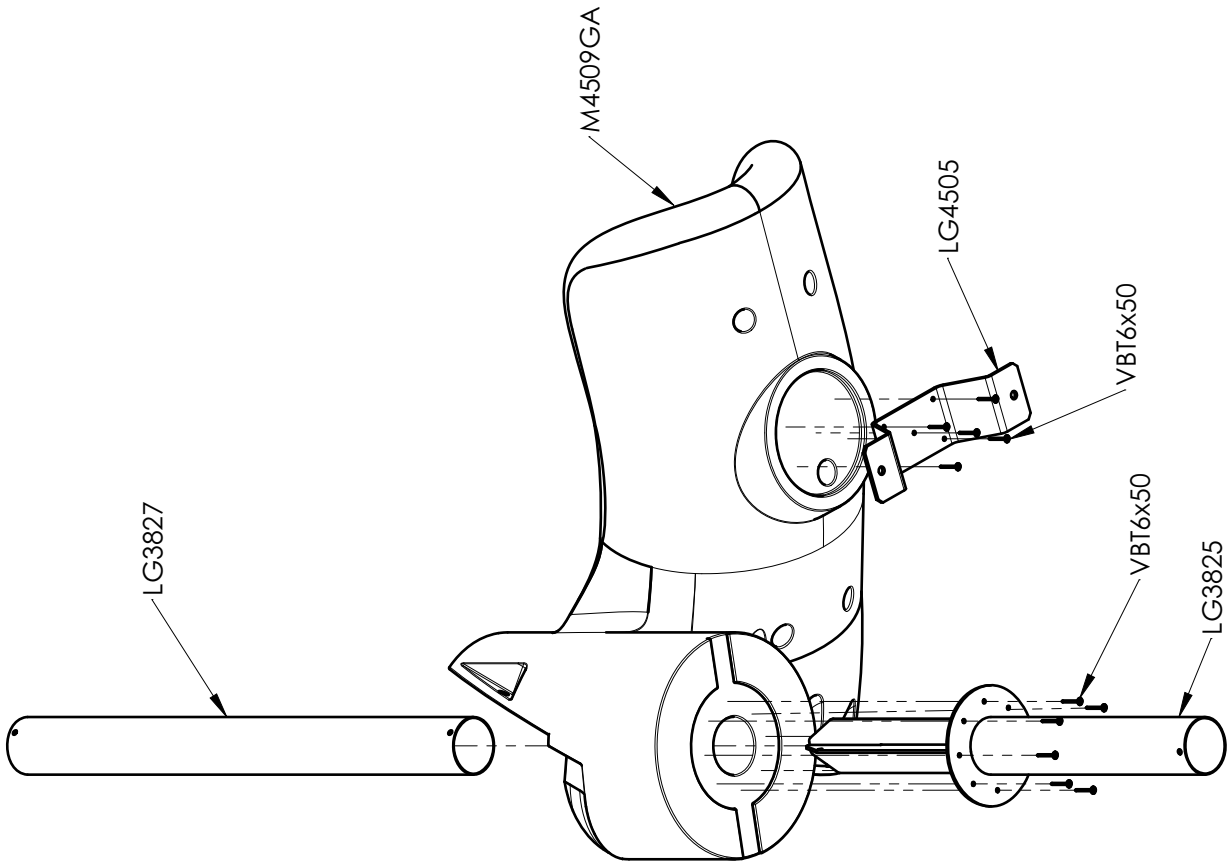


U5625	1
VTH6x30A	8
M8310N	8
M8440N	8

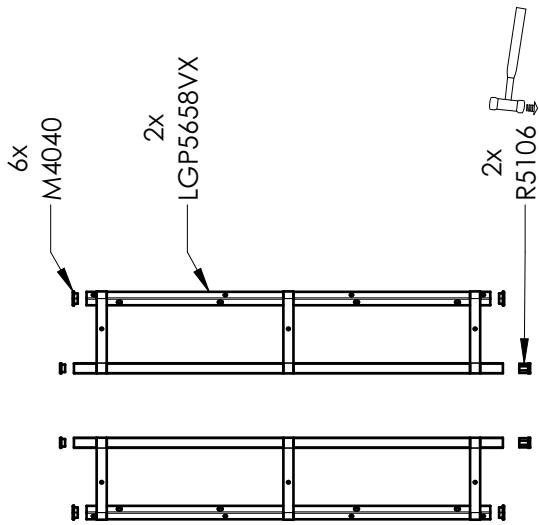




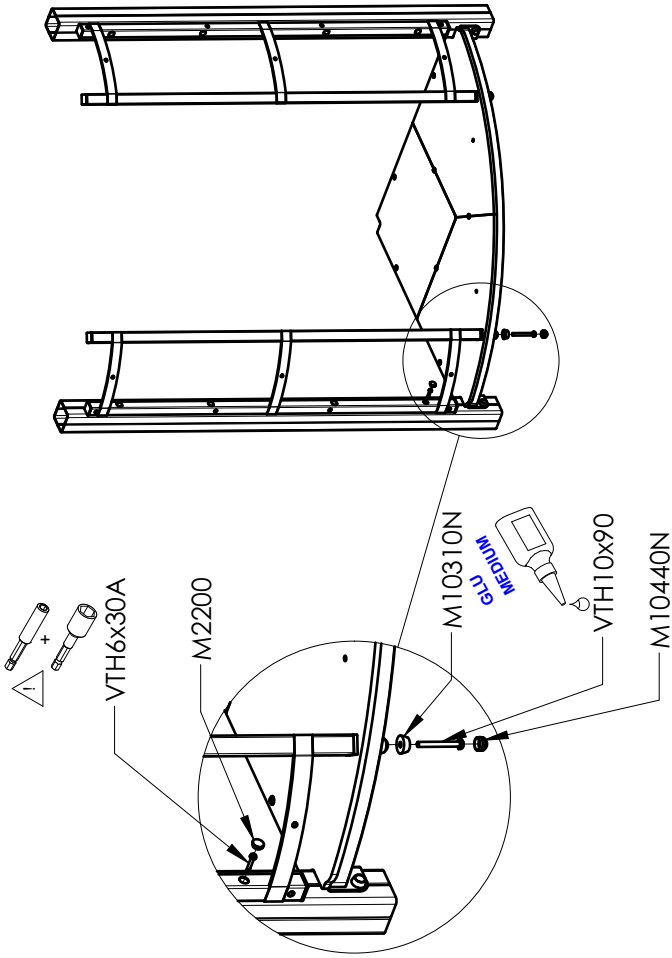
Réf	Qté
ET5681PV	1
ET5682CH	1
LAP5601VX	2
LG3825	1
LG3827	1
LG4505	1
LGP5658VX	2
LZ311	1
M2200	8
M4040	6
M4507VX	1
M4508VX	2
M4509GA	1
M8310N	14
M8440N	14
M10310N	54
M10440N	54
P13	2
P180	1
R5106	2
VBT6x50	13
VCBHC10x30I	12
VCBHC10x40I	4
VCBHC10x60I	8
VEFM10	37
VTH6x30A	22
VTH10x60	15
VTH10x90	2



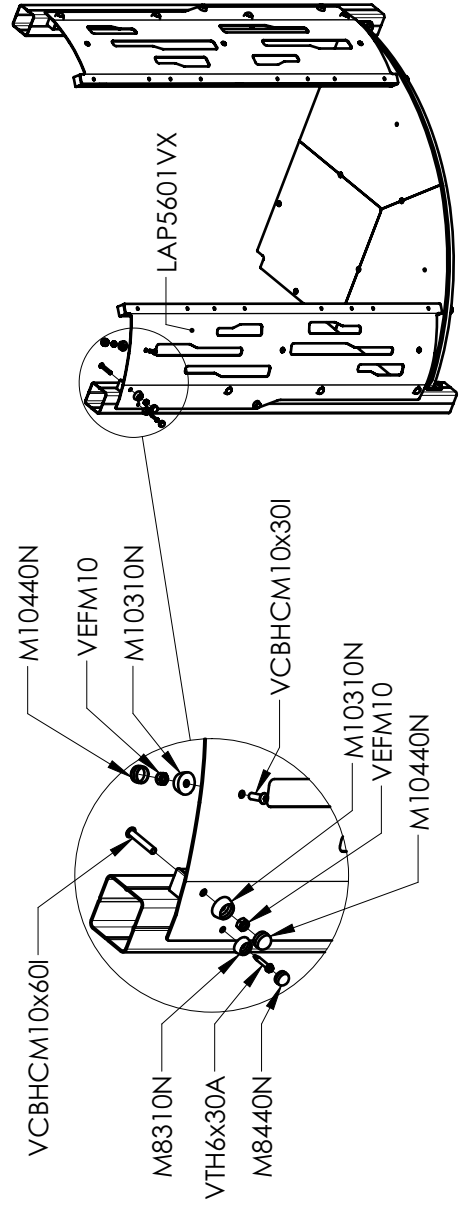
1

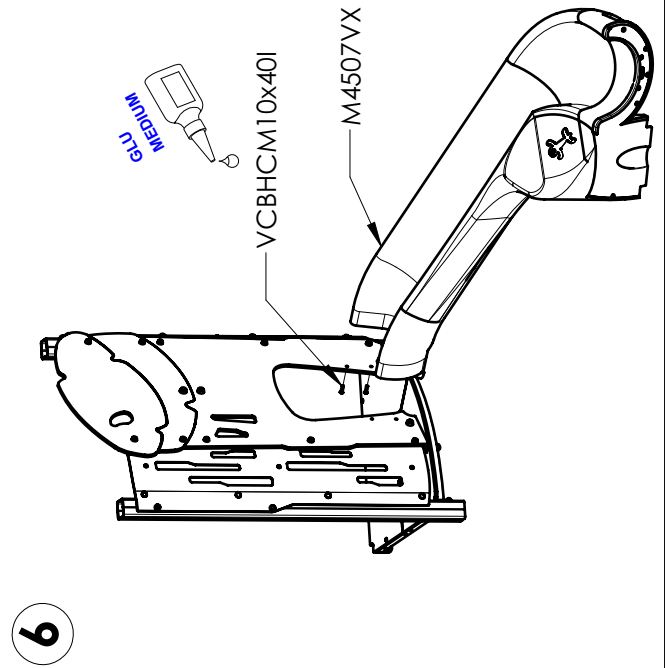
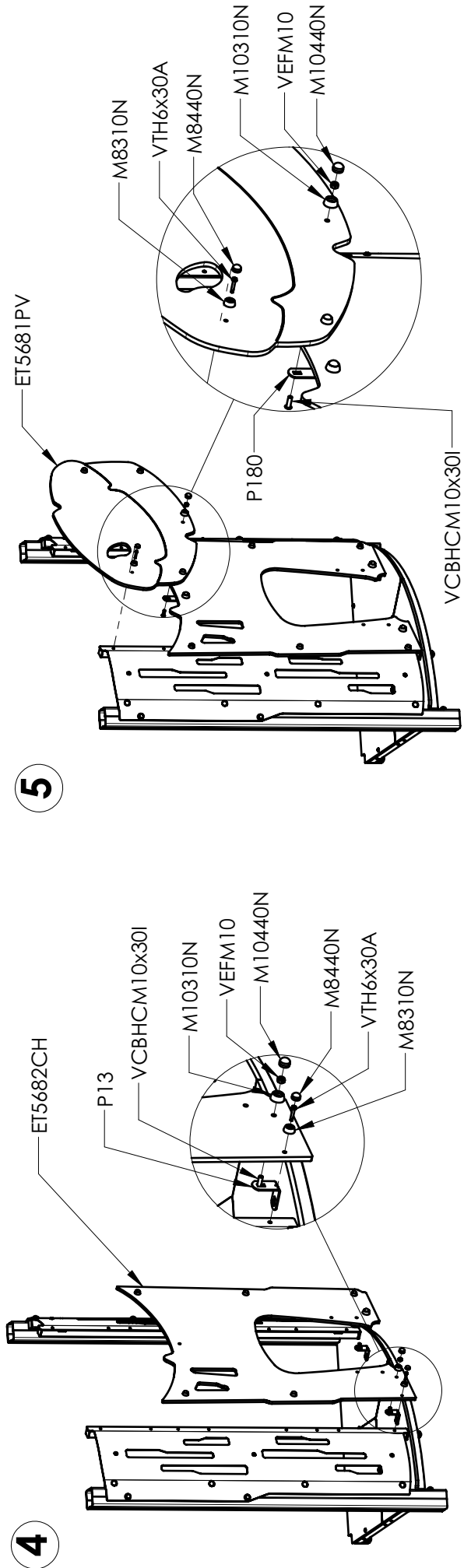


2

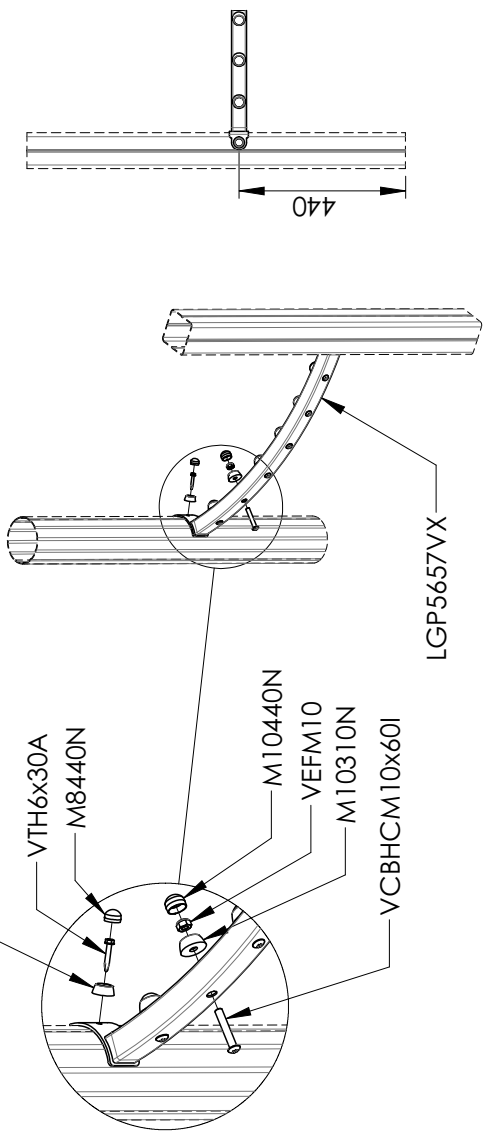
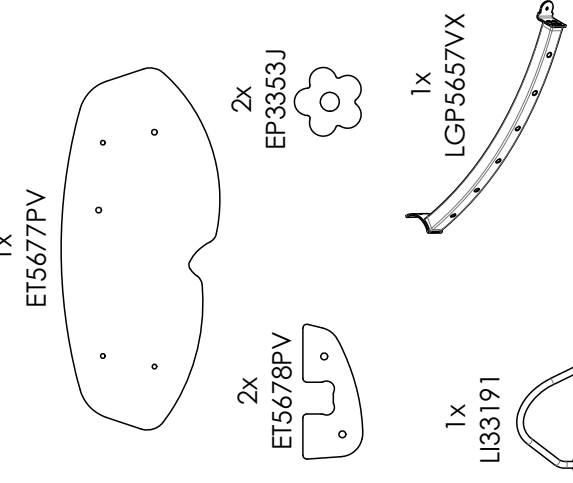


3

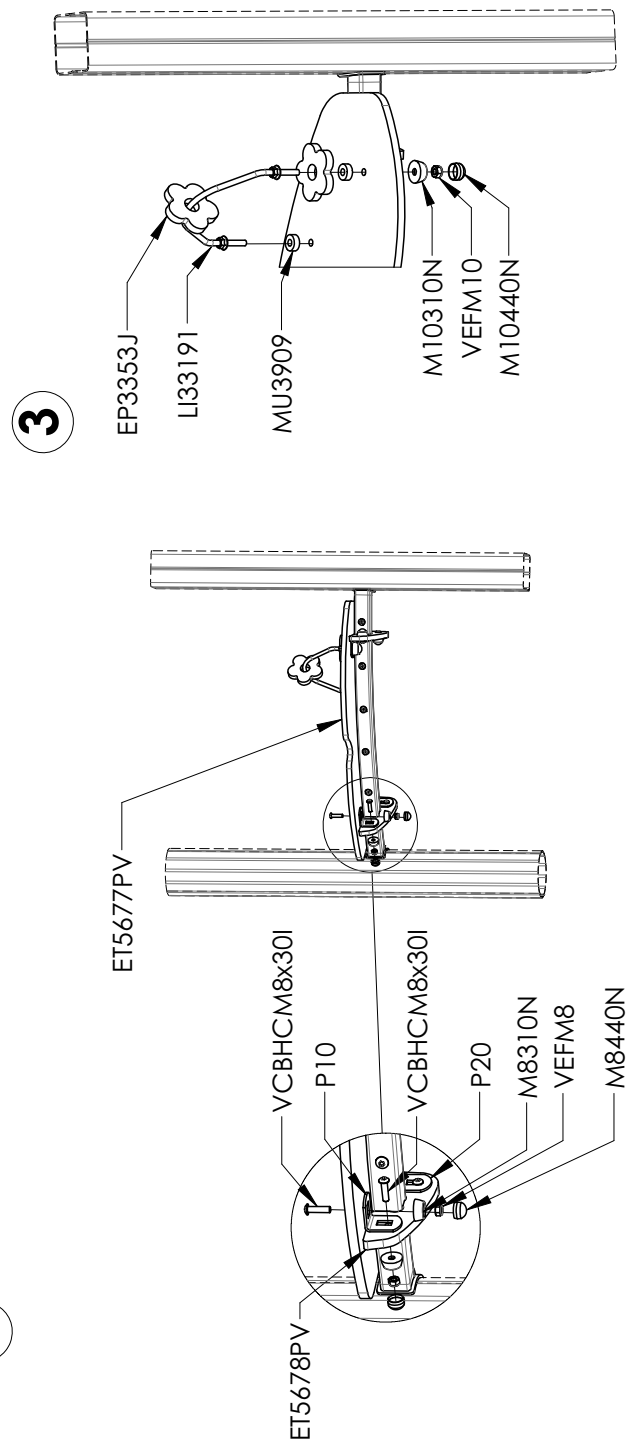




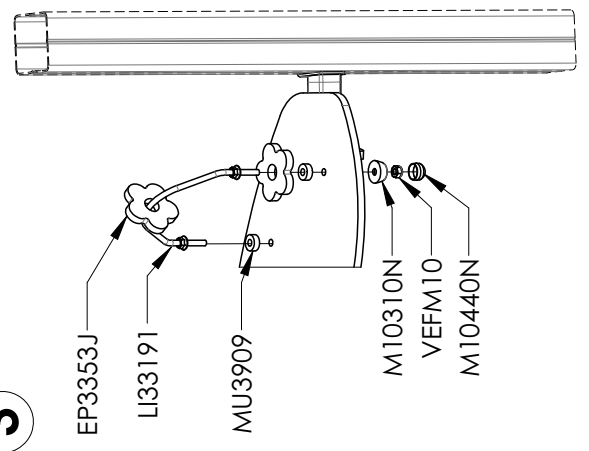
**1**



**2**



**3**



EP3353J	2
ET5677PV	1
ET5678PV	2
LGP5657VX	1
LI33191	1
M8310N	9
M8440N	9
M10310N	8
M10440N	8
MU3909	2
P10	2
P20	2
VCBHCM8x30I	7
VCBHCM10x60I	6
VEFM8	7
VEFM10	8
VTH6x30A	2