

J56004A

Proludic





N°		m ²
1	0.6 m	18.5 m ²
2	1 m	7.5 m ²
3	1.17 m	7.5 m ²

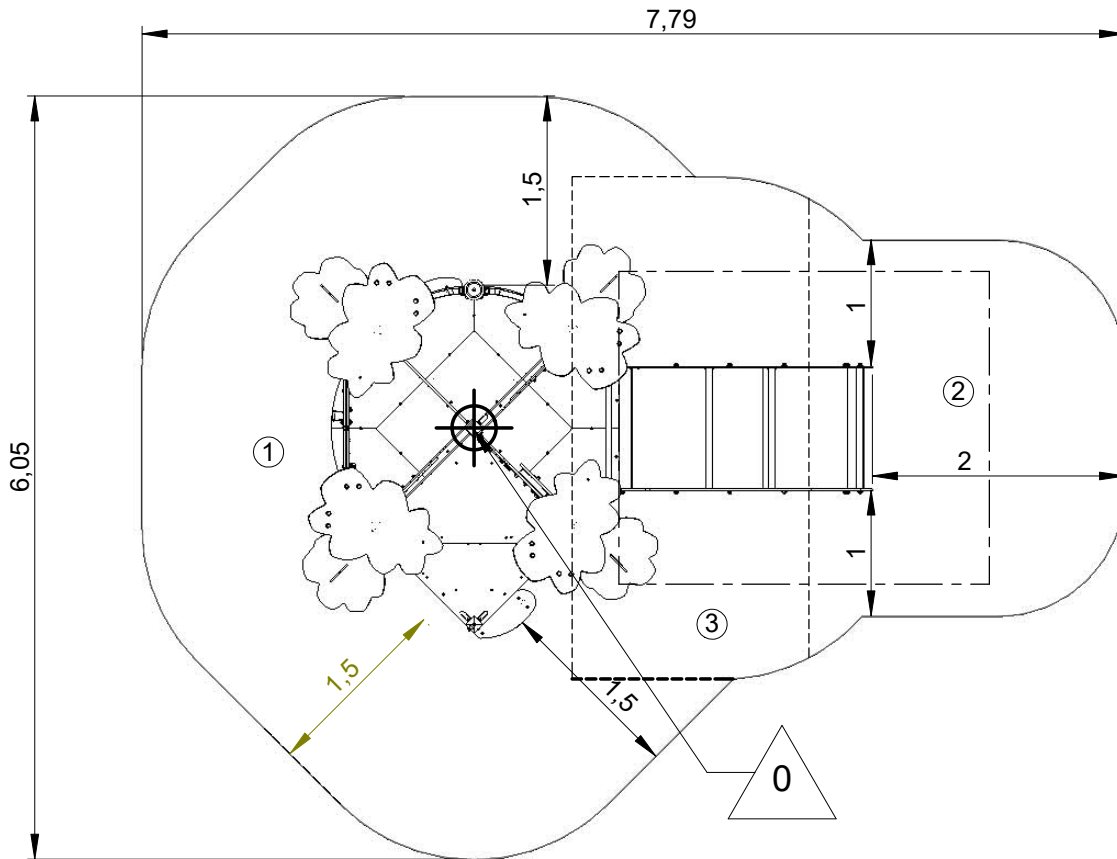
— Zone d'impact
Impact area
Area de impacto
Fallraum
Valzone

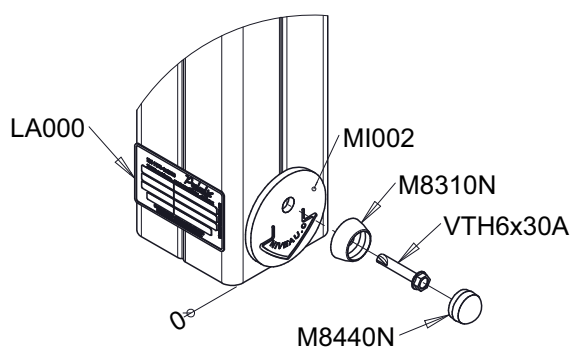
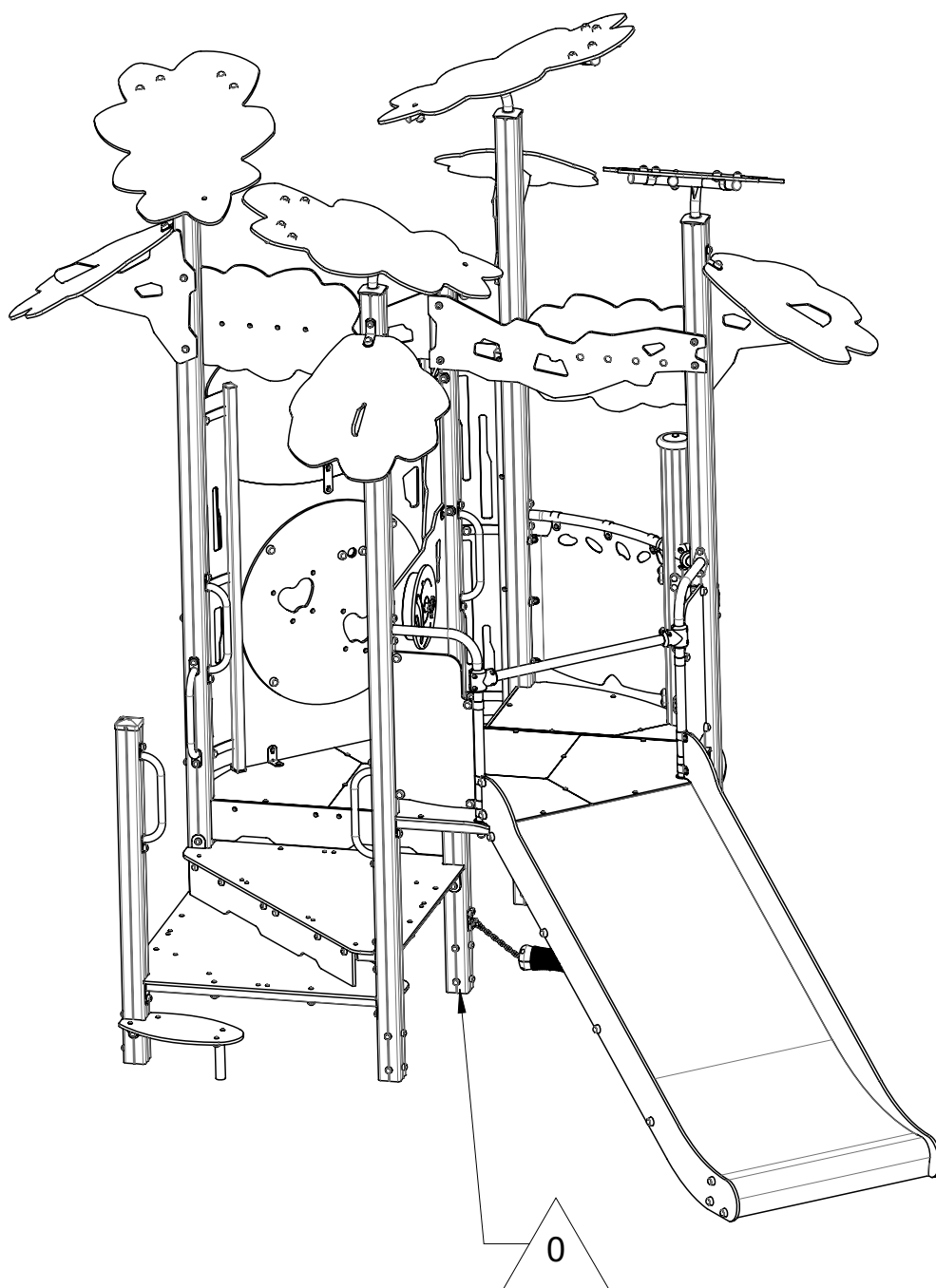
- - - Espace libre
Free space
Espacio libre
Freiraum
Vrije ruimte



Point de référence
Setting out point
Punto de referencia
Bezugspunkt
Referentiepunt

EN1176-1:2017
EN1176-3:2017

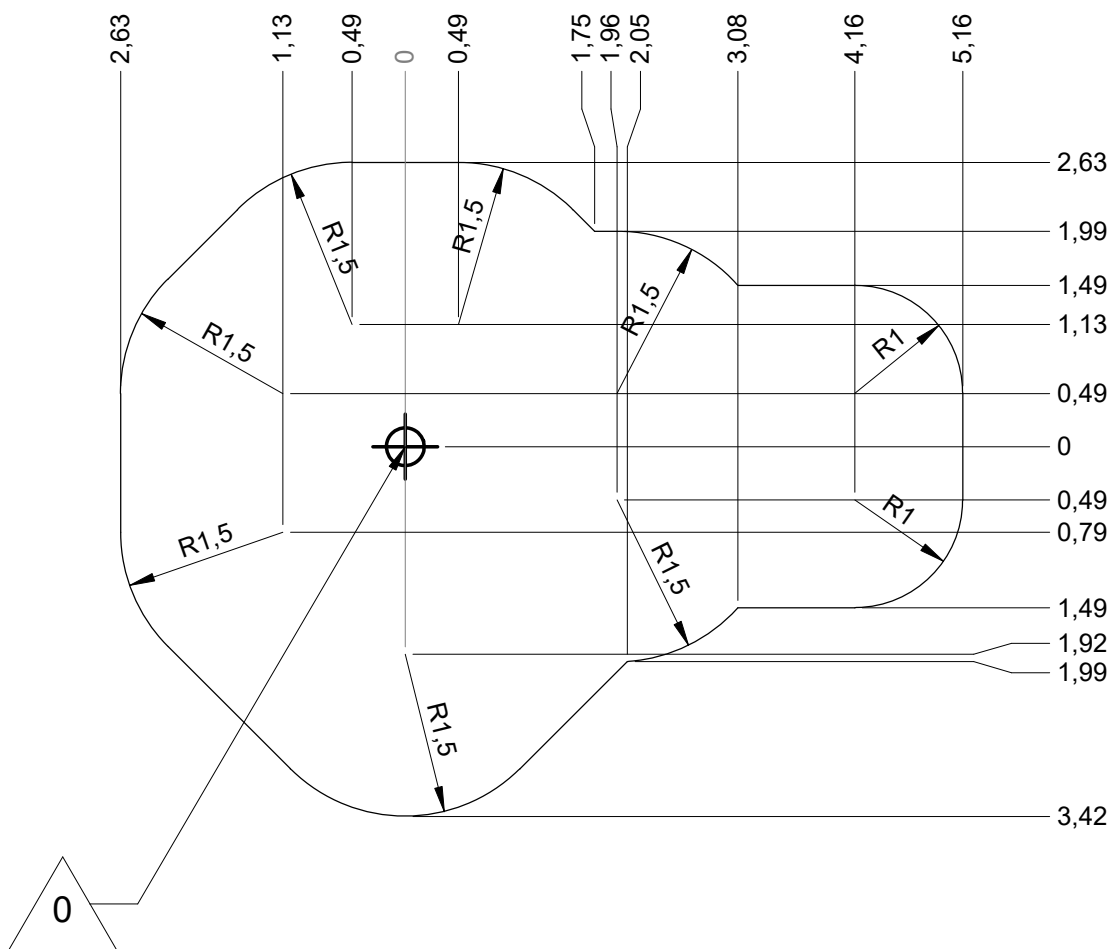




Réf	Qté
G5618	1
G56003	1
G56007	1
G56007	1
G56010	1
G56013	1
G56016	1
G56019	1

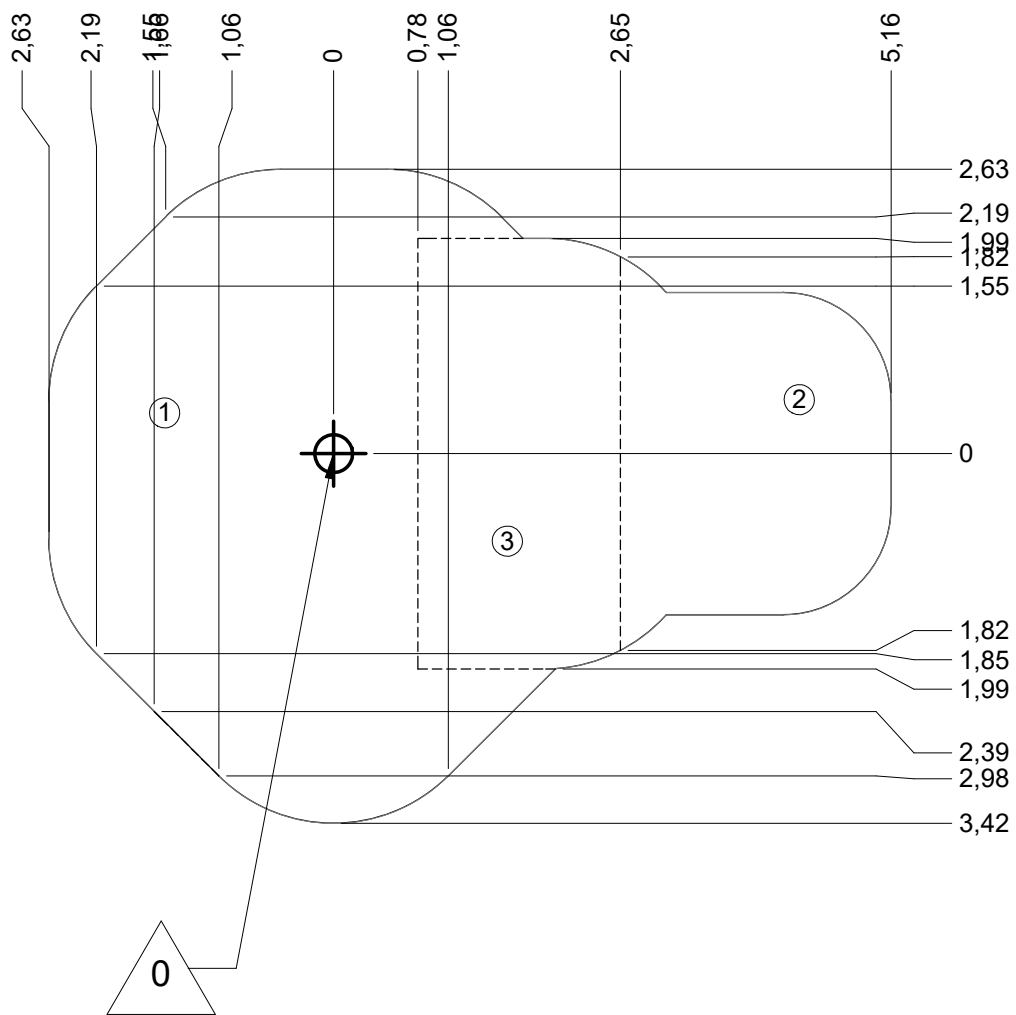
— Zone d'impact
 Impact area
 Area de impacto
 Fallraum
 Valzone

33.5 m²

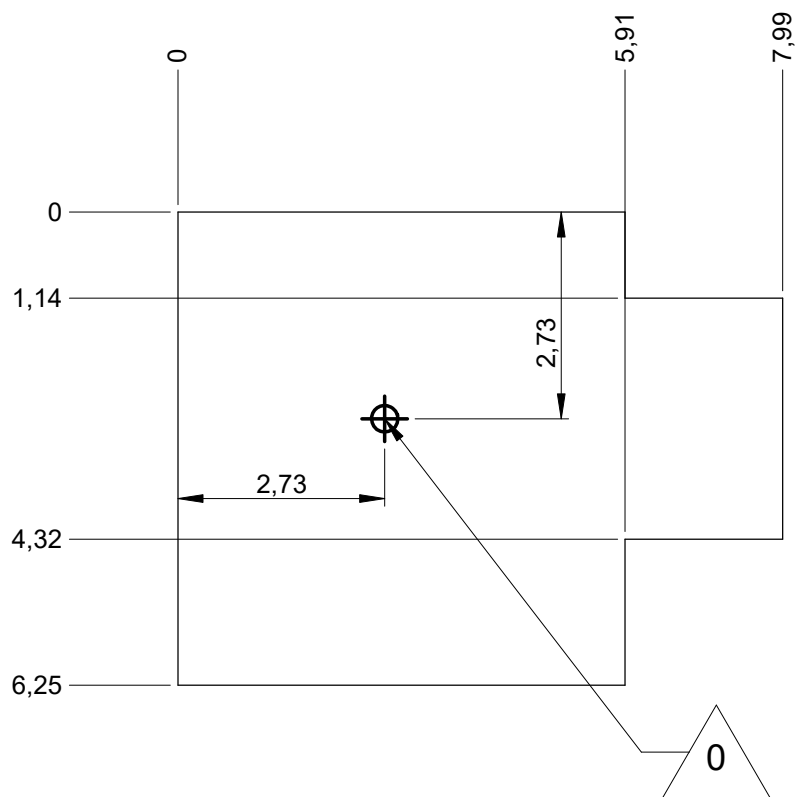


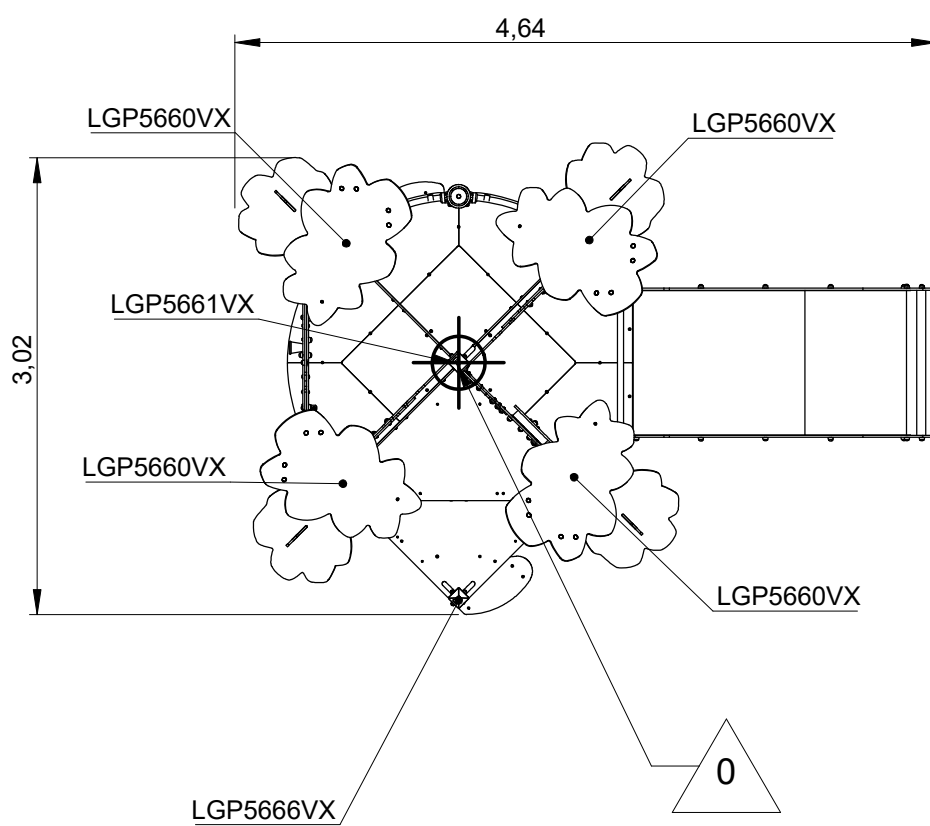
— Sol souple
 Wepour
 Caucho continuo
 Synthetischer Fallschutz
 Gietvloer

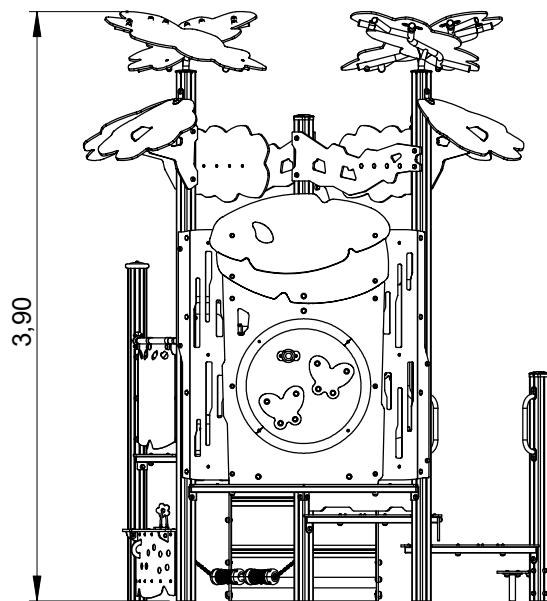
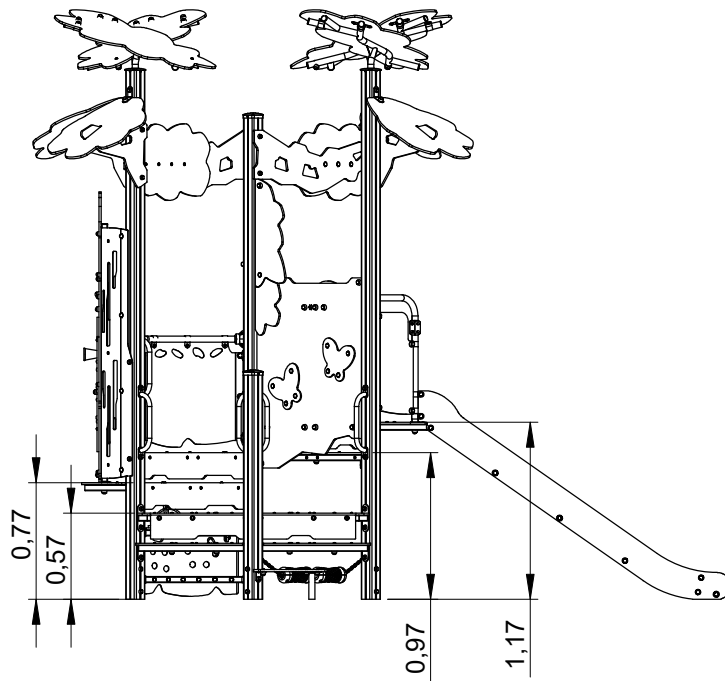
33.5 m²



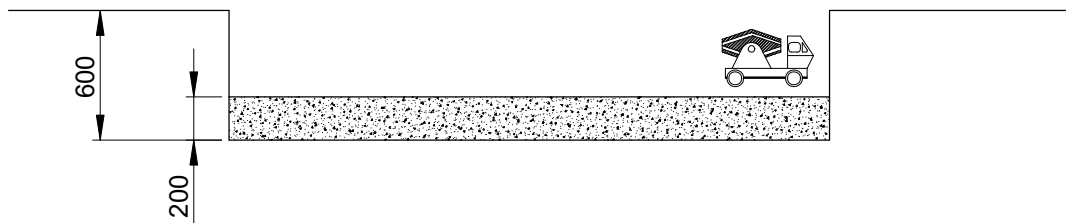
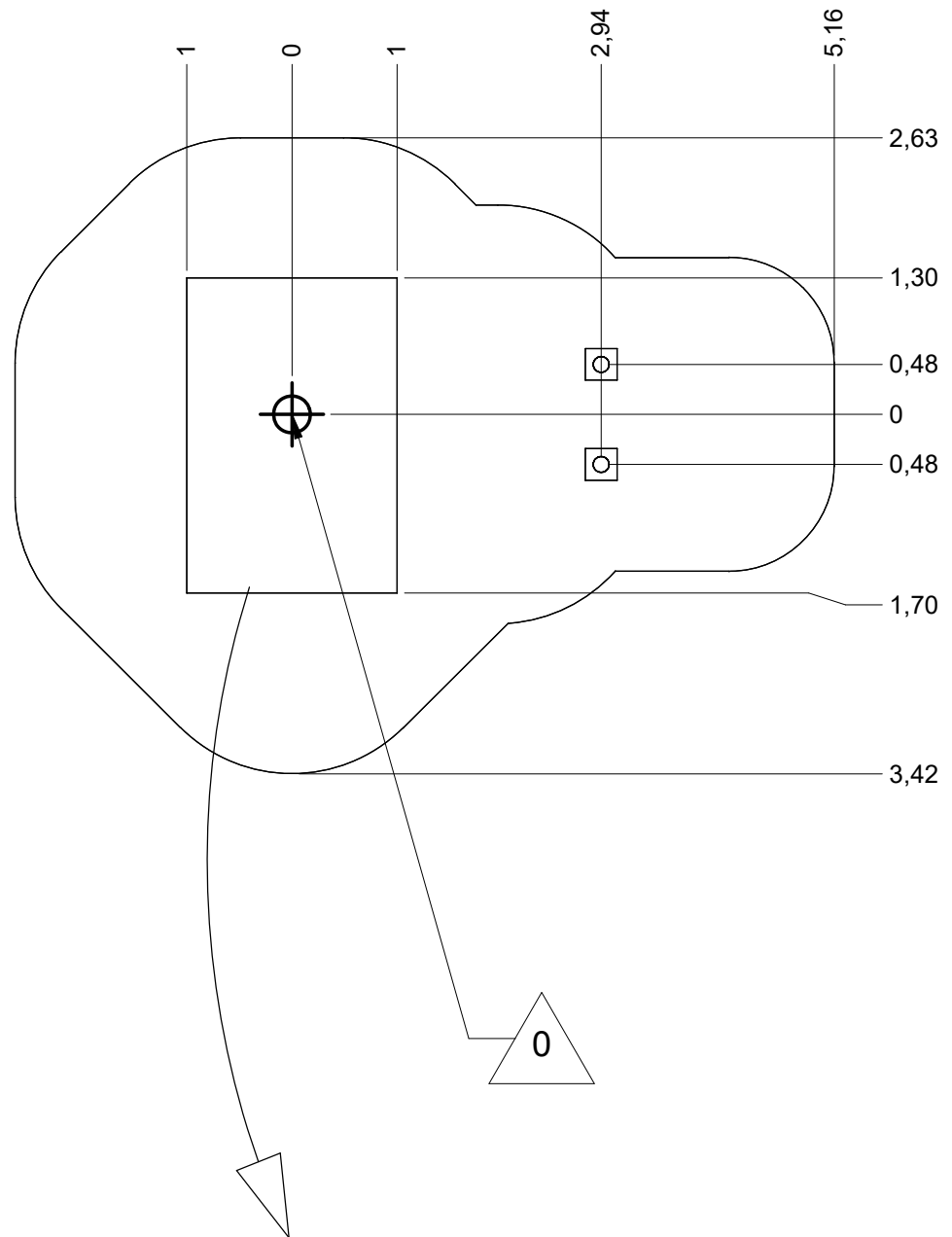
— Sol fluent
Loos partucule material 30 m
Arenero
Loses Bodenmaterial 44 m²
Los bodemmaterial






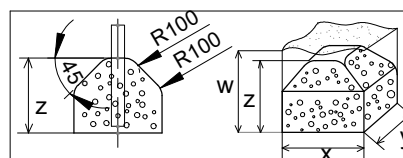




Implantation
 Footing plan
 Implantación
 Fundamentplan
 Funderingstekening

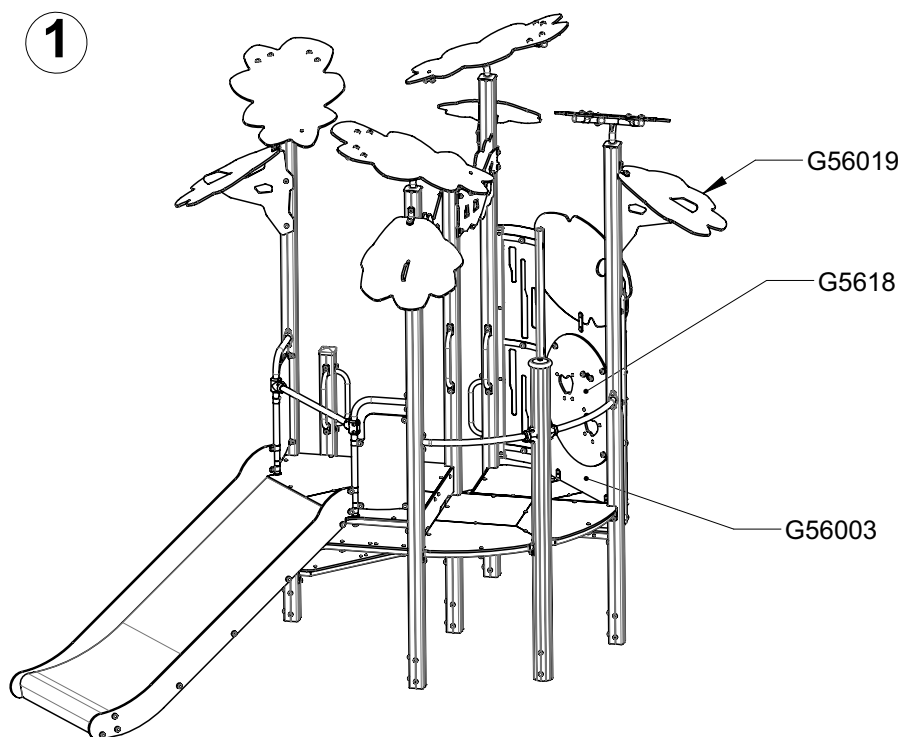


 x2
 18H
 1.3 m³

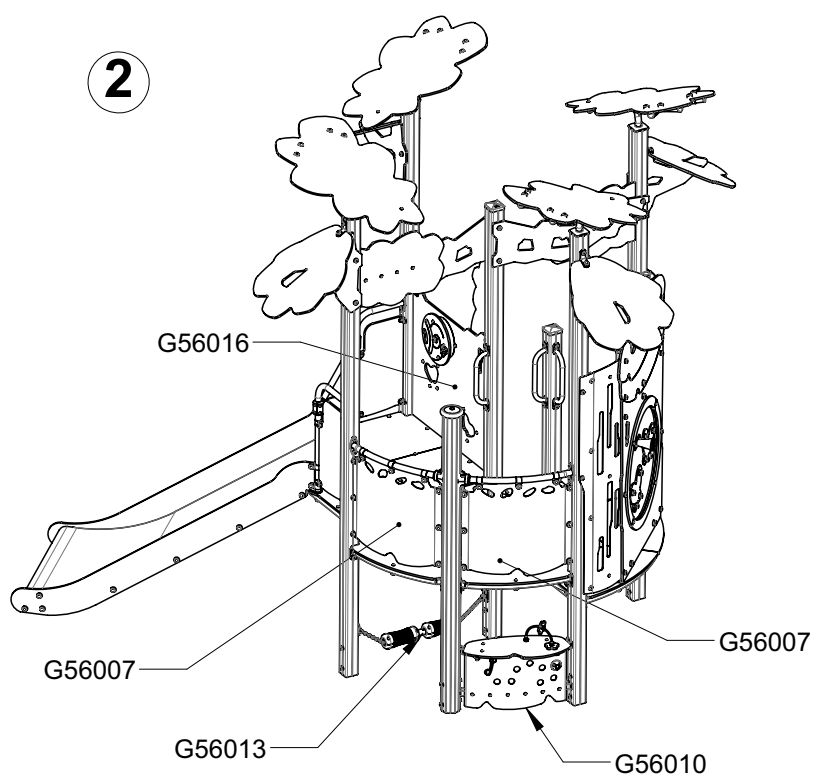


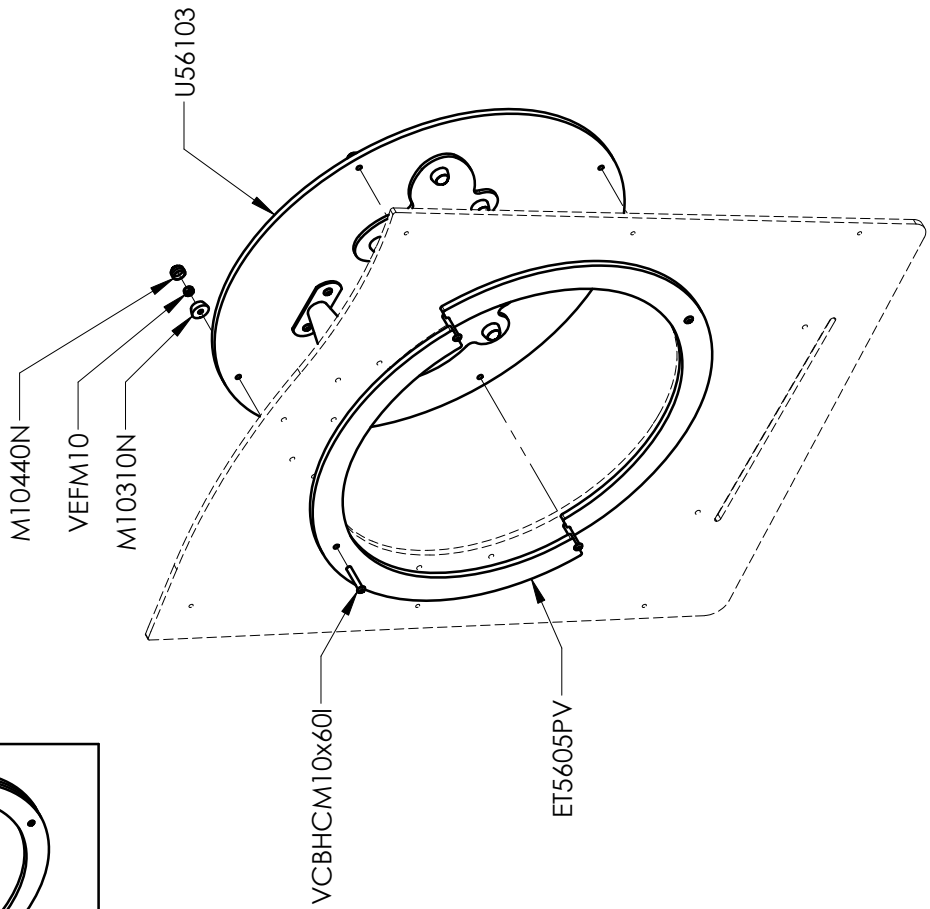
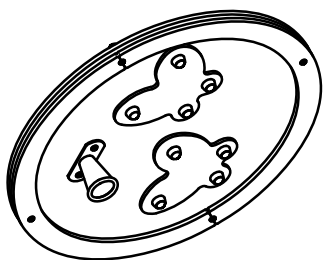
	x	y	z	w
□	0.3	0.3	0.3	0.6

1

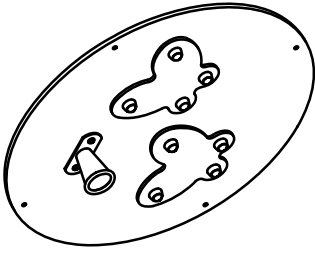


2

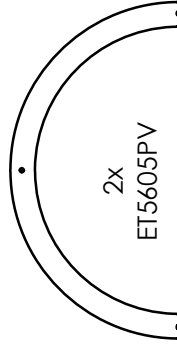




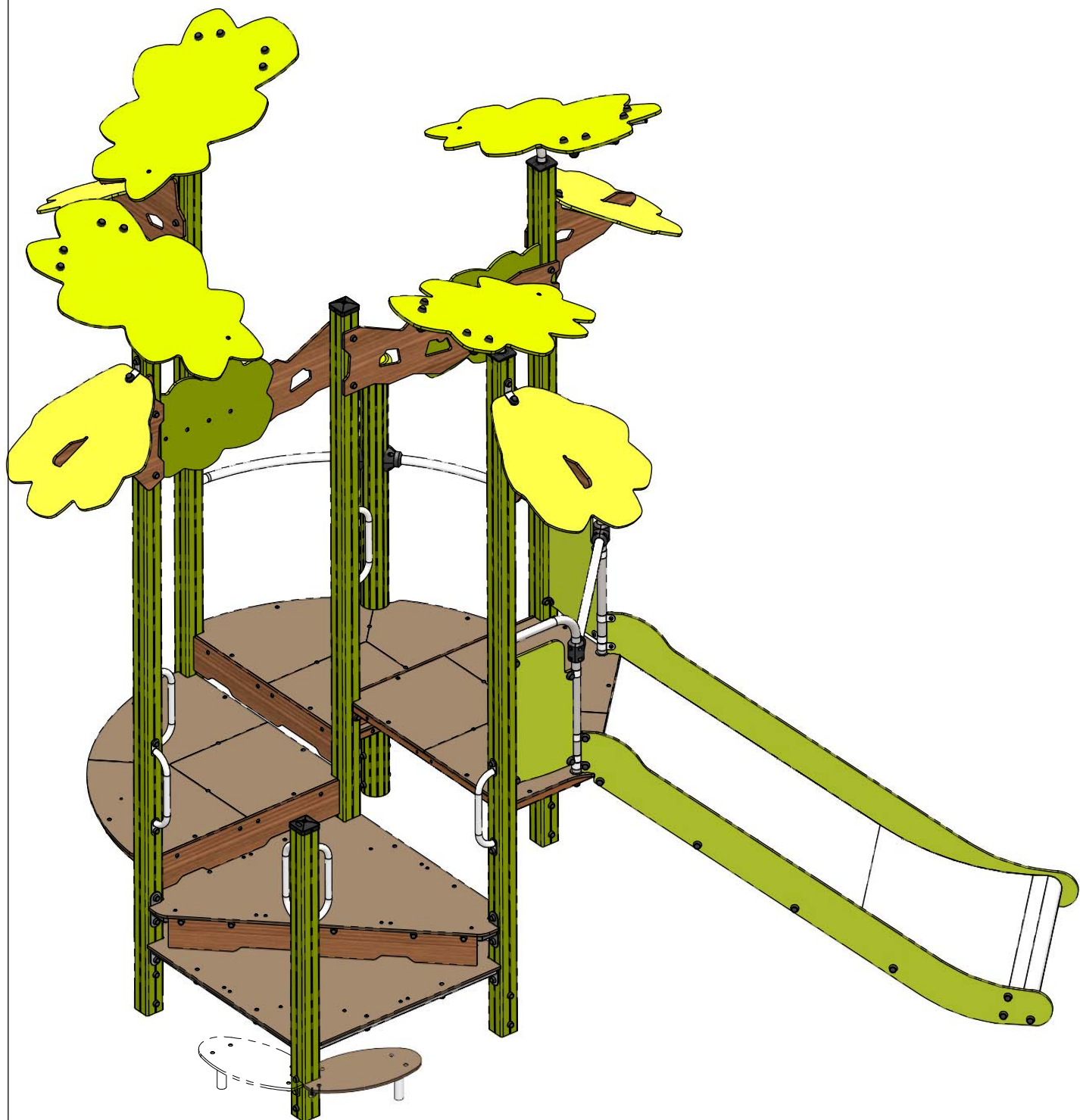
1x
U56103



2x
ET5605PV

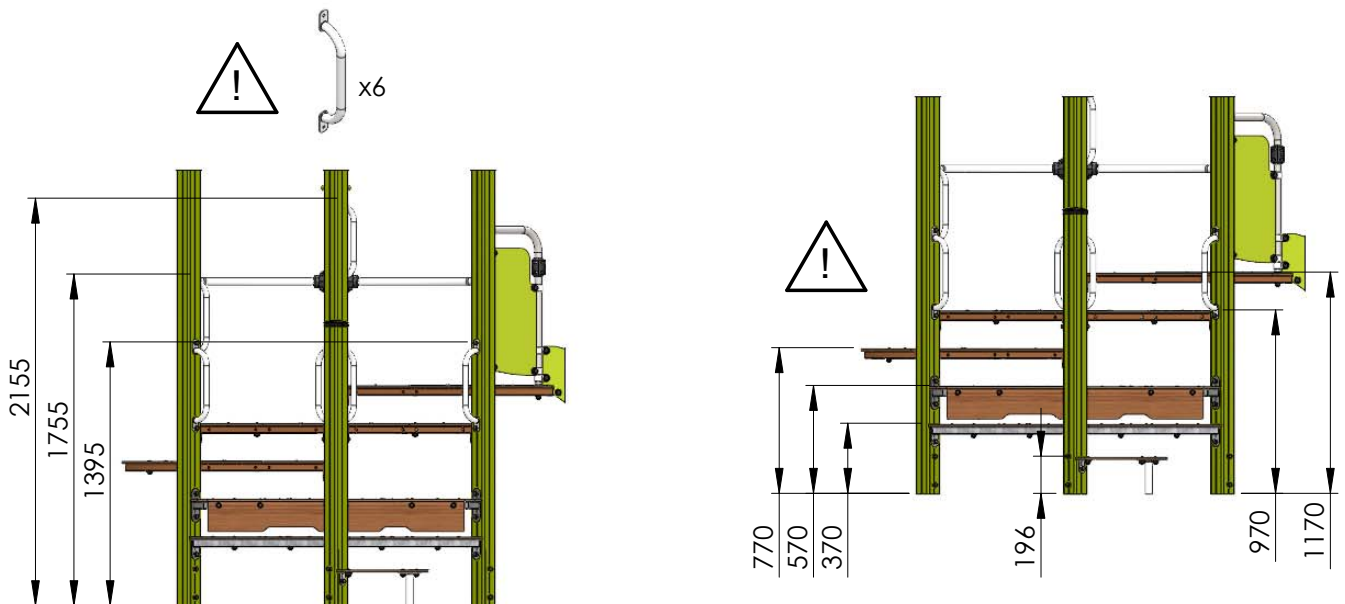
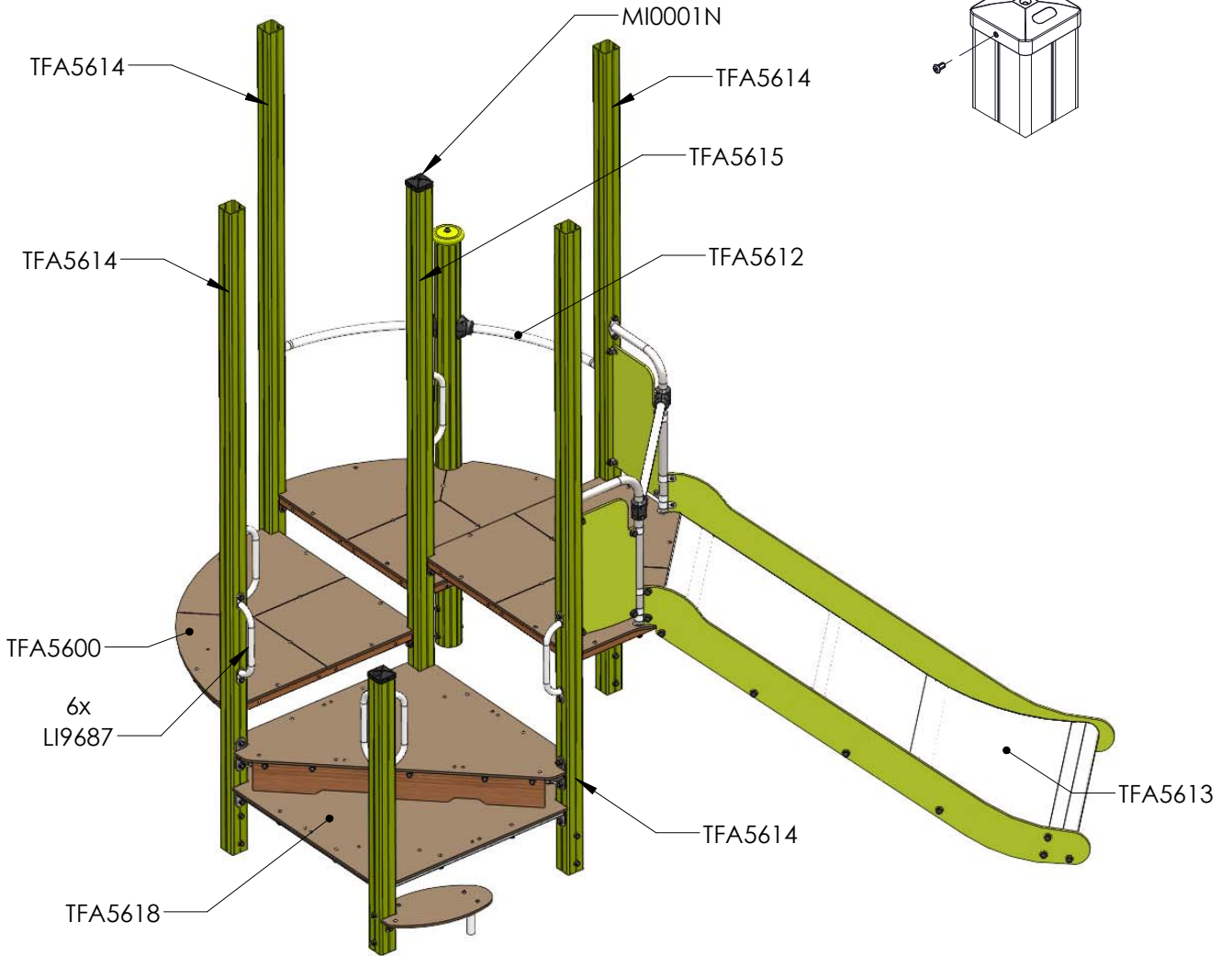


ET5605PV	2
M10310N	4
M10440N	4
U56103	1
VCBHC M10x60I	4
VEFM10	4

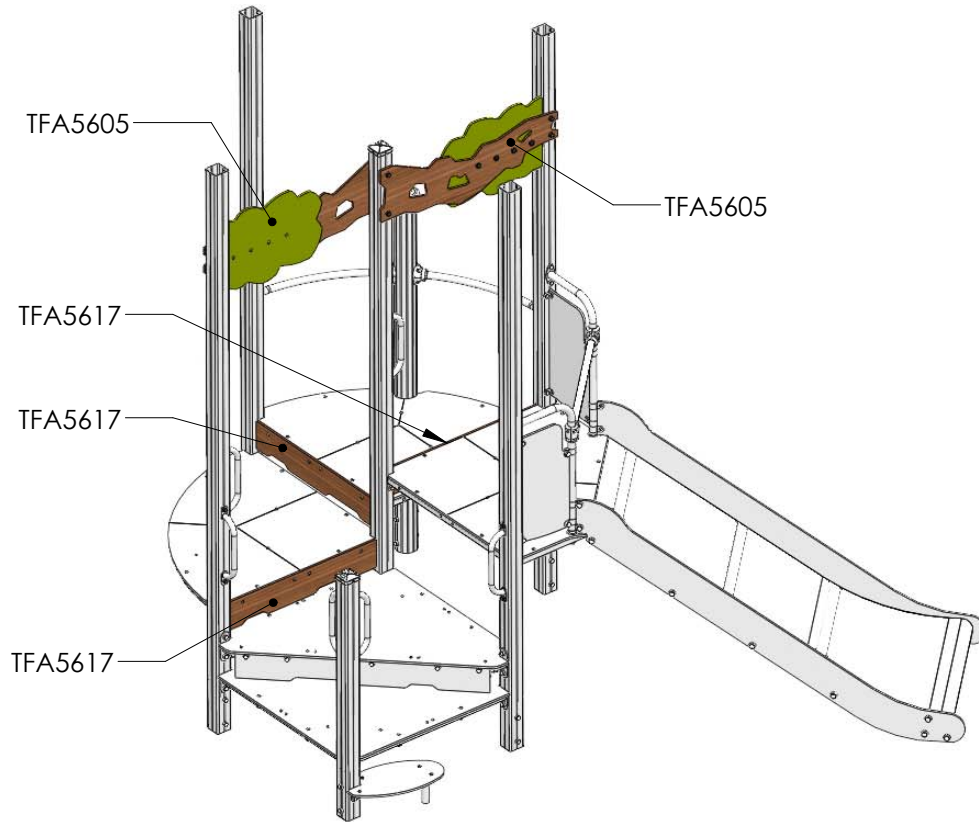


TFA5600	1	LI9687	6
TFA5605	2	M8310N	12
TFA5606	4	M8440N	12
TFA5607	4	M10310N	8
TFA5612	1	M10440N	8
TFA5613	1	MI0001N	1
TFA5614	4	RRAV6	2
TFA5615	1	VCBHCM10x60I	8
TFA5617	3	VEFM10	8
TFA5618	1	VTH6x30A	12

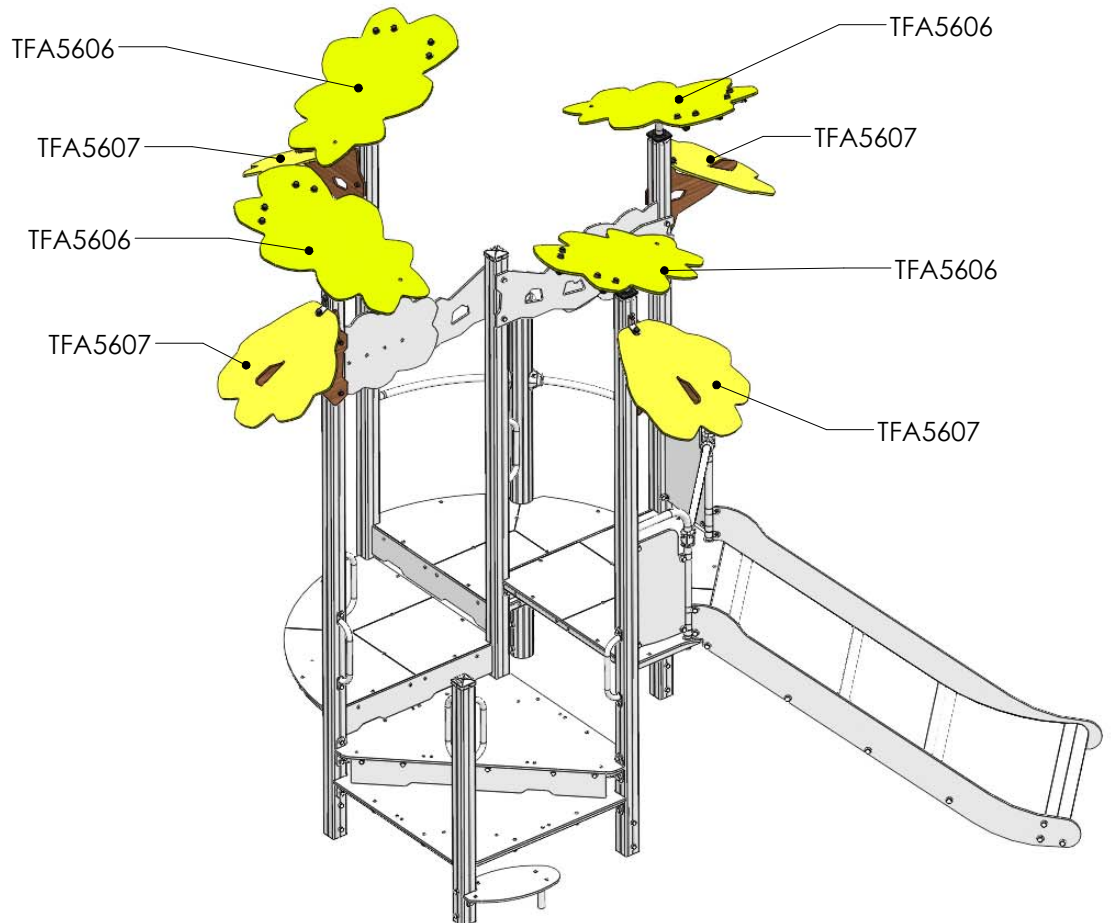
1



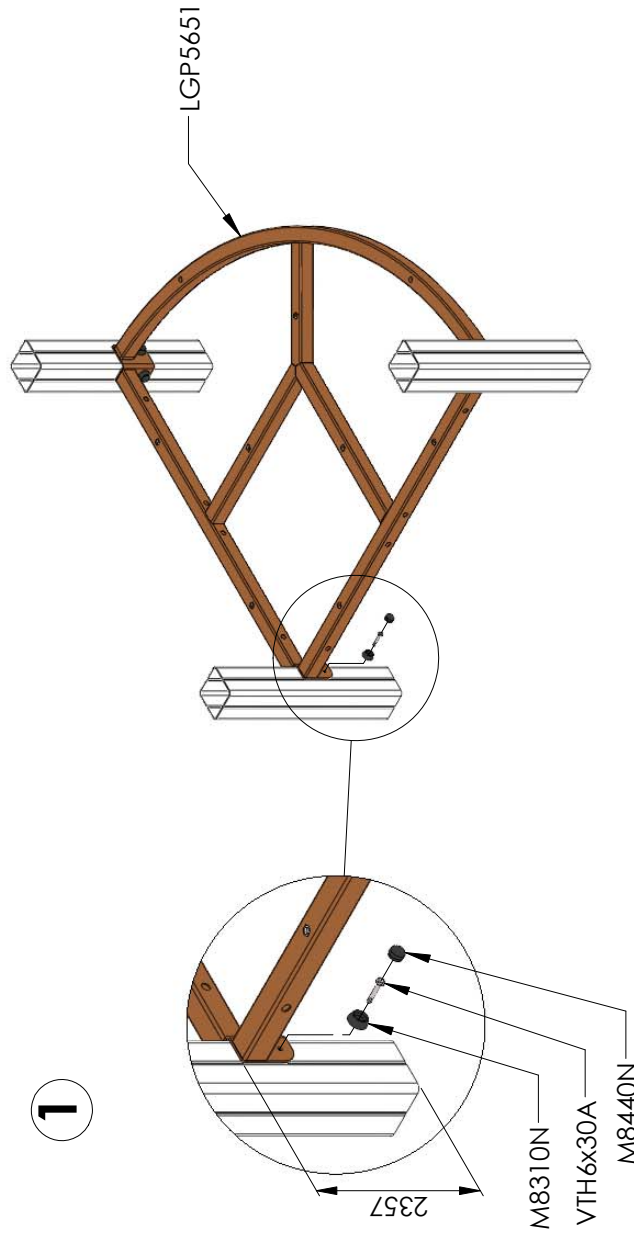
2



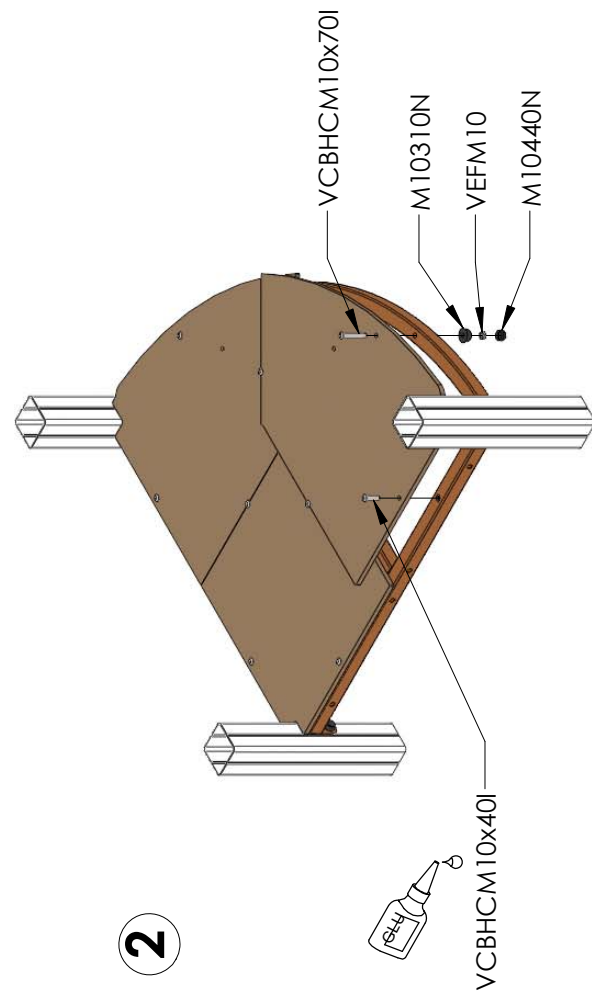
3



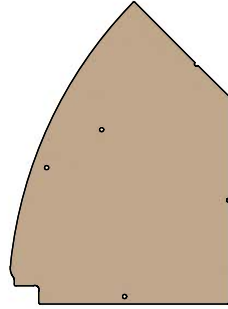
1



2



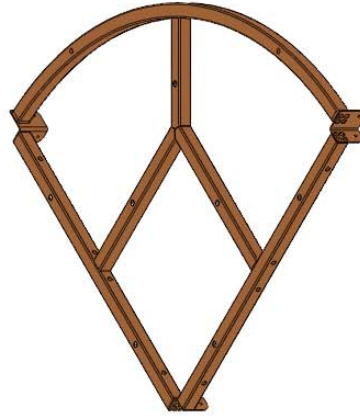
2x
FT5662



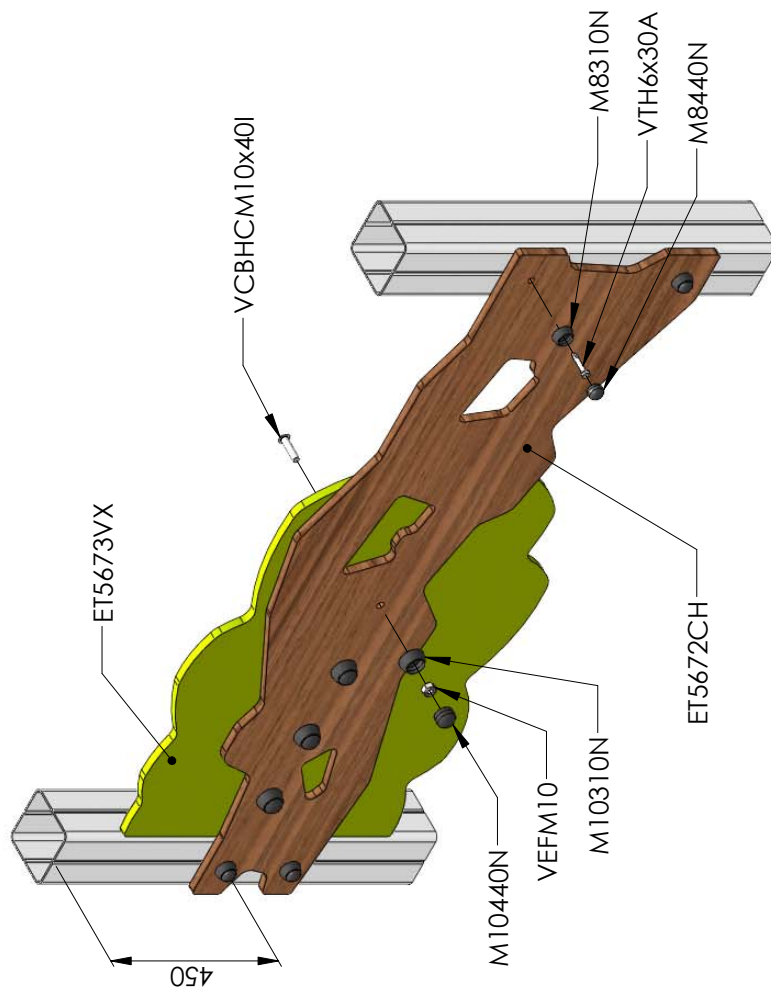
1x
FT5661



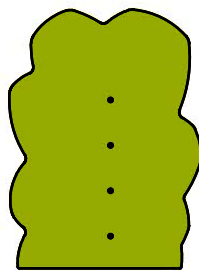
1x
LGP5651



Réf	Qté
FT5661	1
FT5662	2
LGP5651M	1
M8310N	6
M8440N	6
M10310N	2
M10440N	2
VCBHCM10x40I	7
VCBHCM10x70I	2
VEFM10	2
VTH6x30A	6



1x
ET5673VX

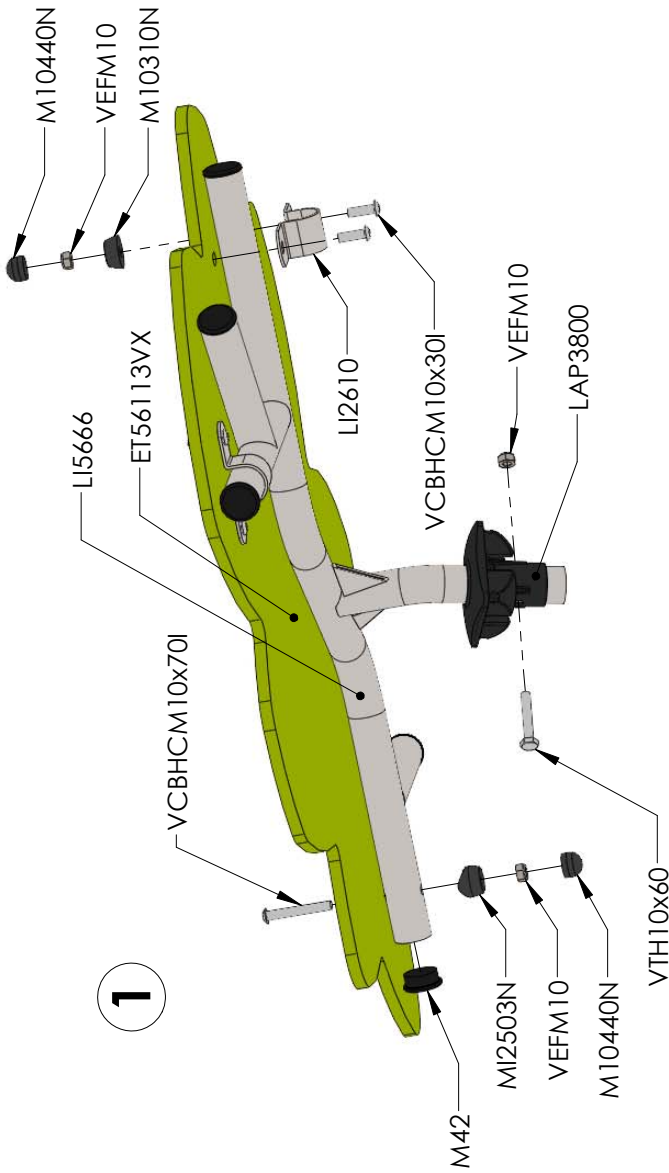


1x
ET5672CH

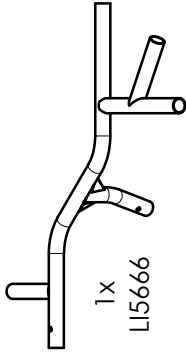
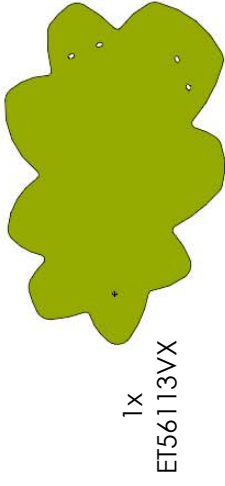
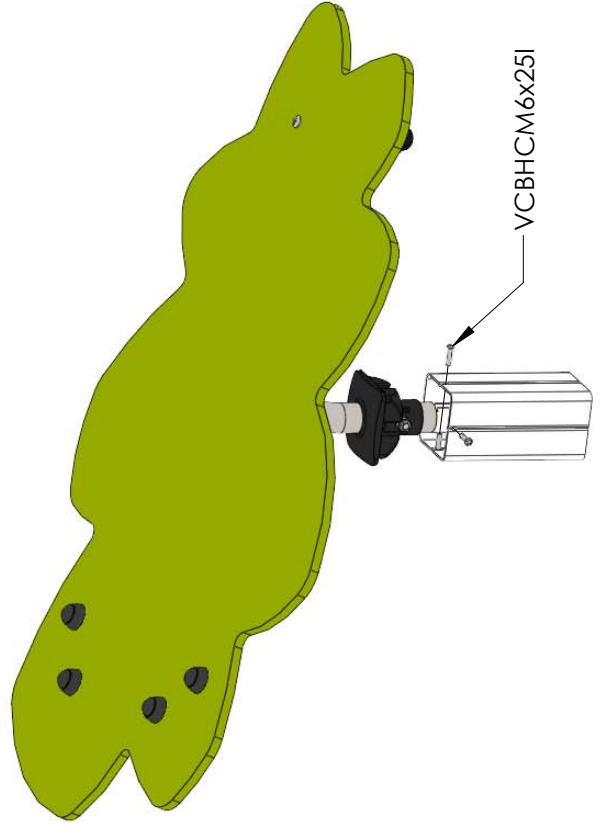


Réf	Qté
ET5672CH	1
ET5673VX	1
M8310N	4
M8440N	4
M10310N	4
M10440N	4
VCBHCM10x40I	4
VEFM10	4
VTH6x30A	4

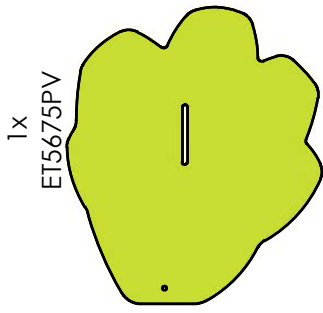
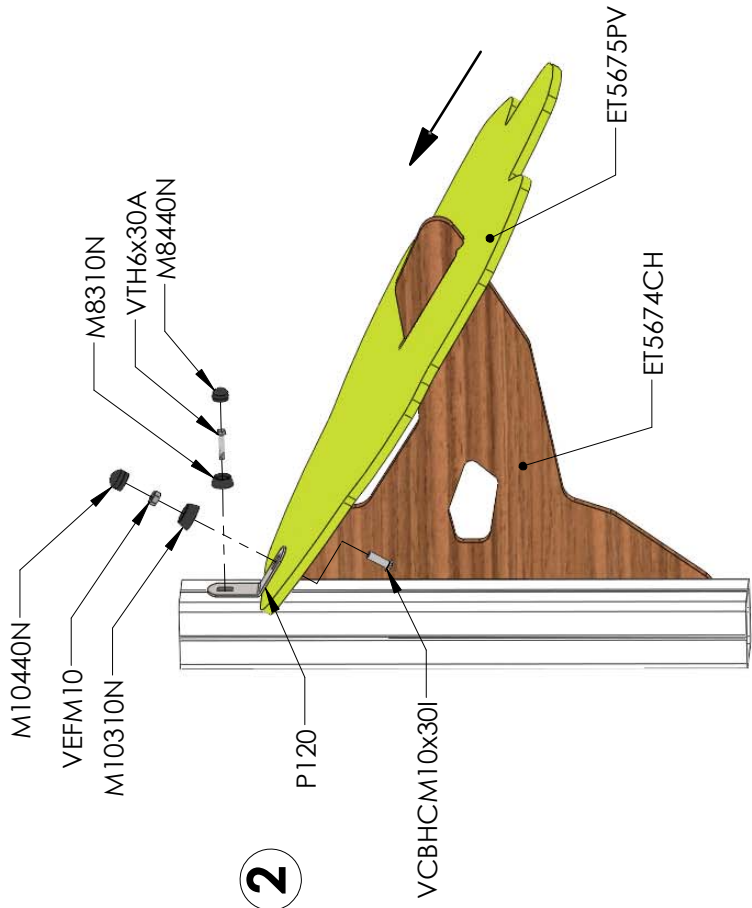
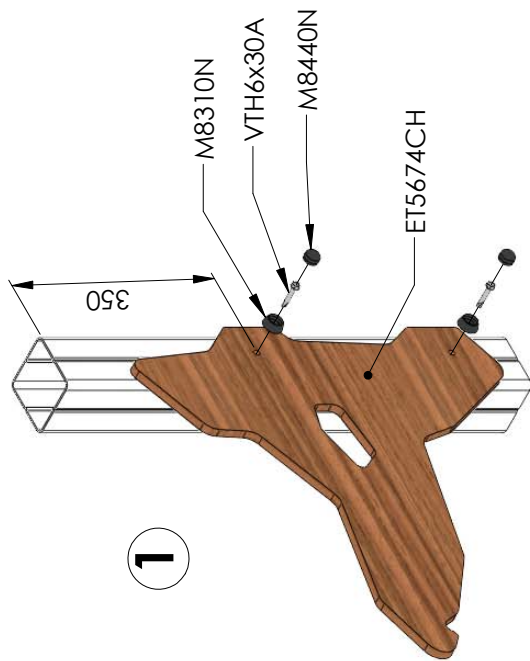
1



2

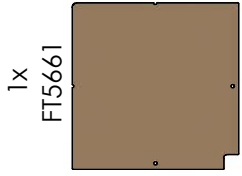
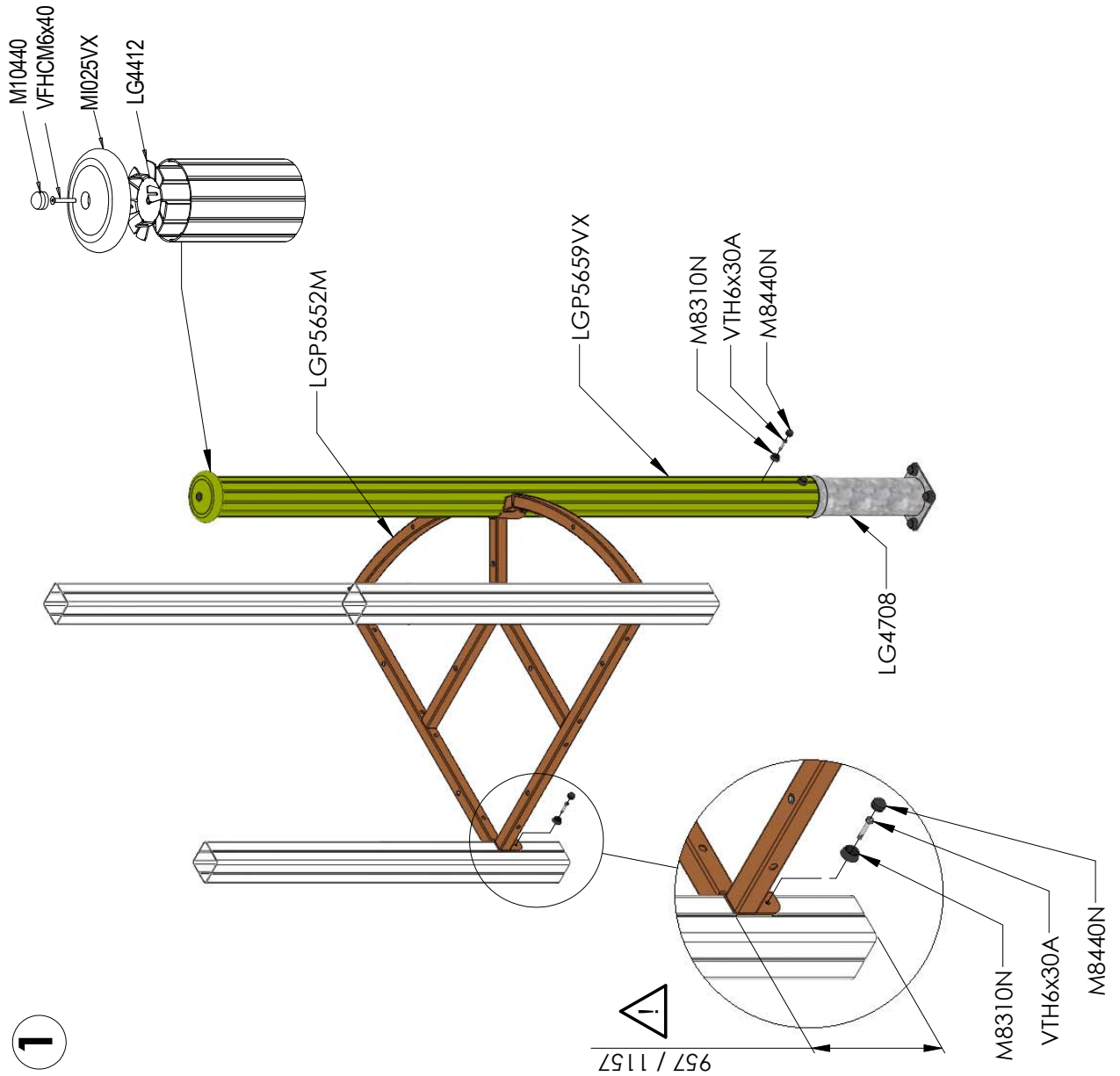


ET56113VX	1
LAP3800	1
LI2610	2
LI5666	1
M42	5
M10310N	4
M10440N	5
M12503N	1
VCBHCM6x25I	4
VCBHCM10x30I	4
VCBHCM10x70I	1
VEFM10	6
VTH10x60	1

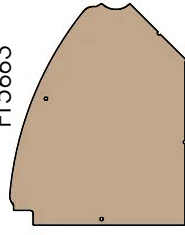


Réf	Qté
ET5674CH	1
ET5675PV	1
M8310N	3
M8440N	3
M10310N	1
M10440N	1
P120	1
VCBHC10x30I	1
VEFM10	1
VTH6x30A	3

1



1x FT5661



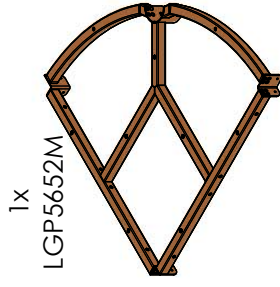
2x FT5663



2x LI5661



1x LGP5659VX



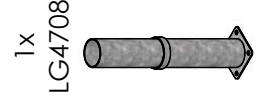
1x LGP5652M



2x MI3701N



1x MI025VX



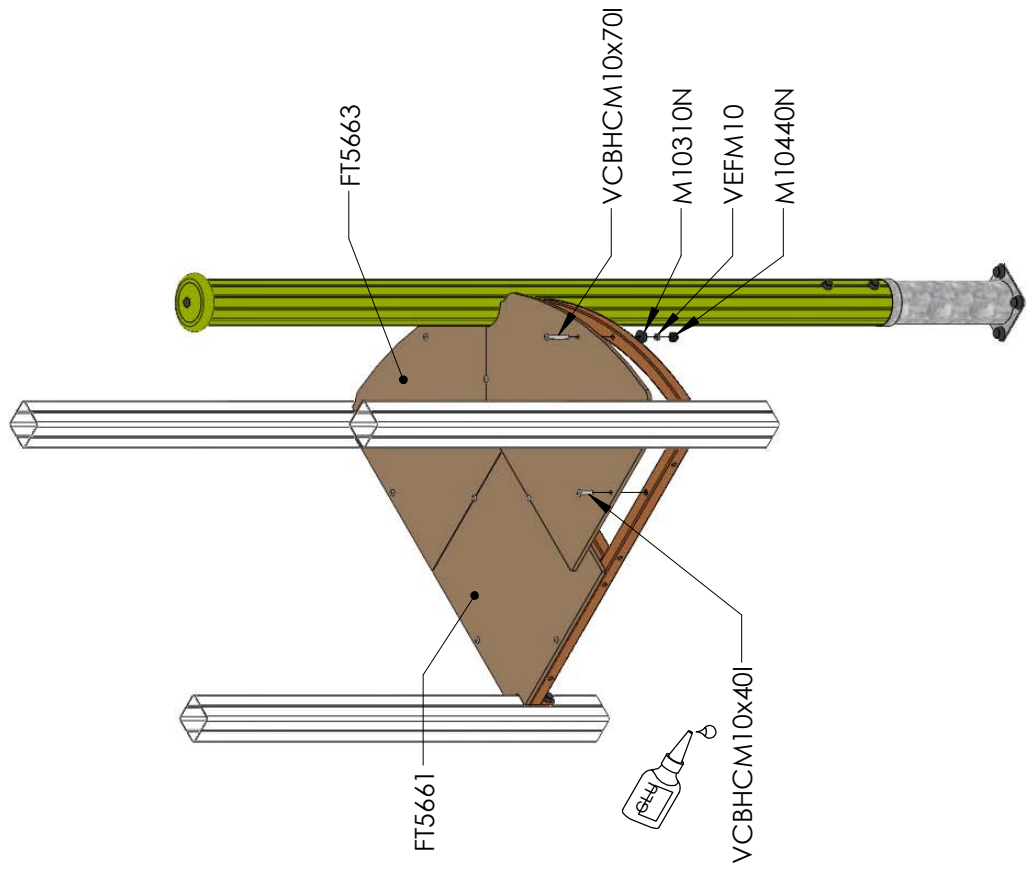
1x LG4708



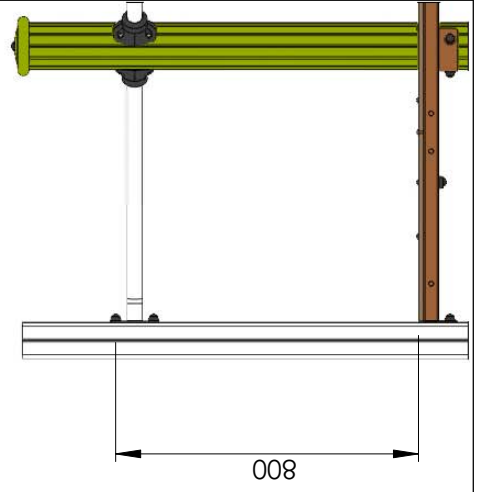
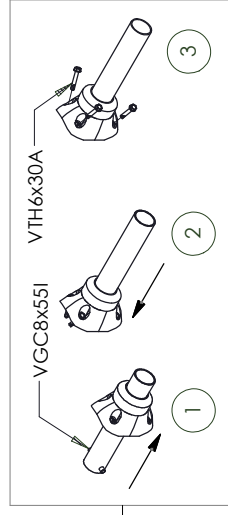
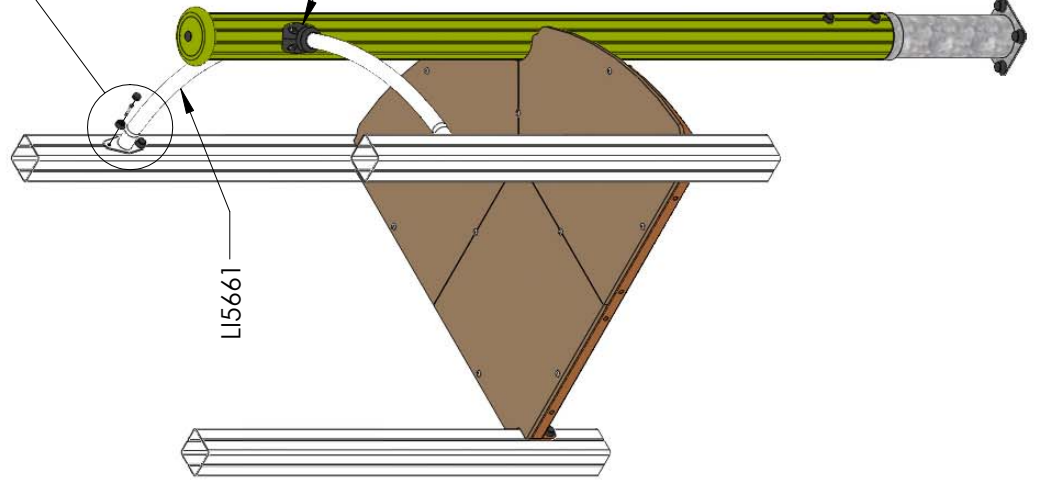
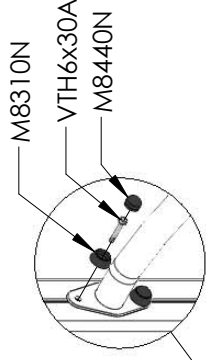
1x LG4412

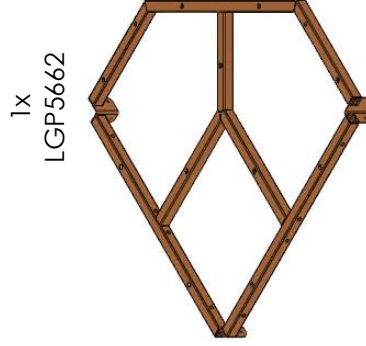
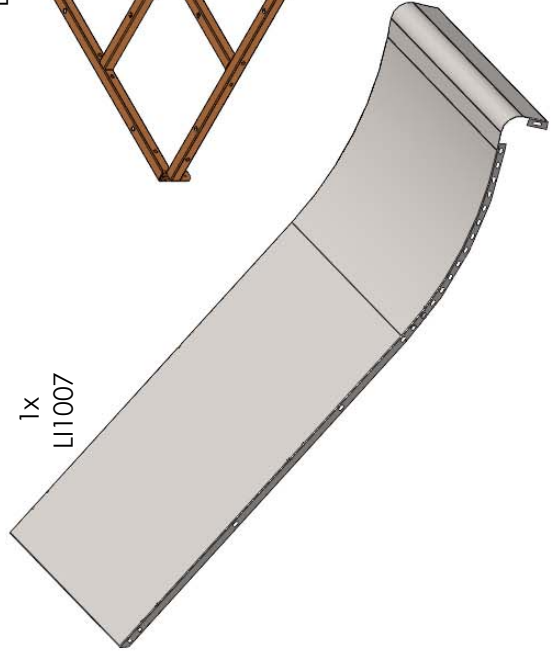
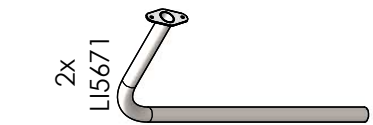
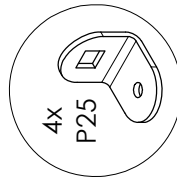
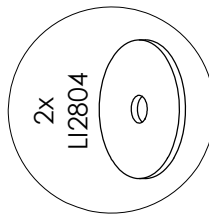
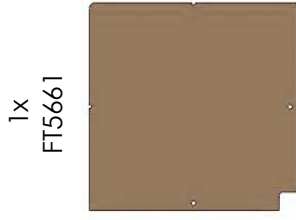
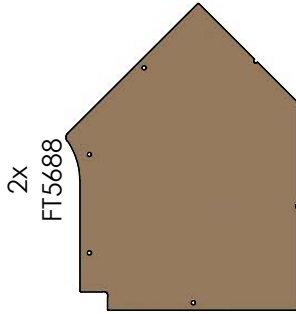
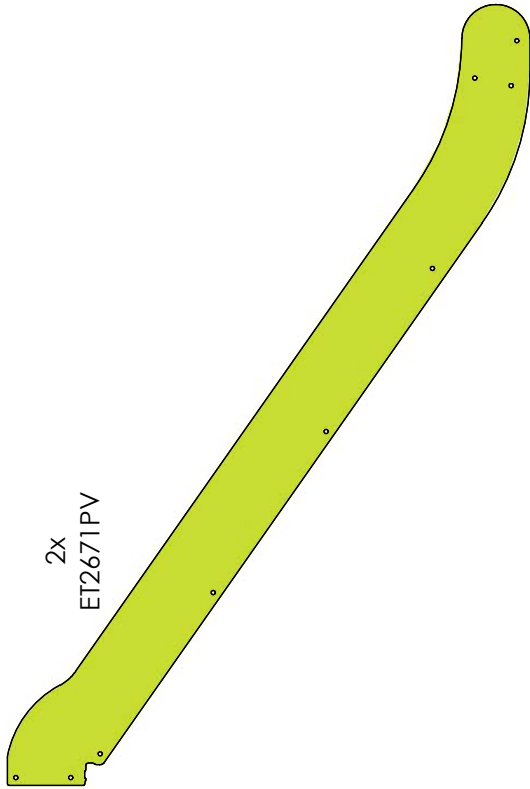
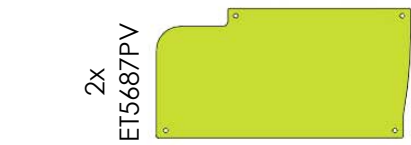
FT5661	1
FT5663	2
LG4412	1
LG4708	1
LGP5659VX	1
LGP5652M	1
LI5661	2
M8310N	16
M8440N	16
M10310N	6
M10440N	7
MI025VX	1
MI3701N	2
RD14M10	4
VCBHC M10x40I	7
VCBHC M10x70I	2
VEFM10	2
VFHC M6x40	1
VGC8x55I	2
VTH6x30A	24

2

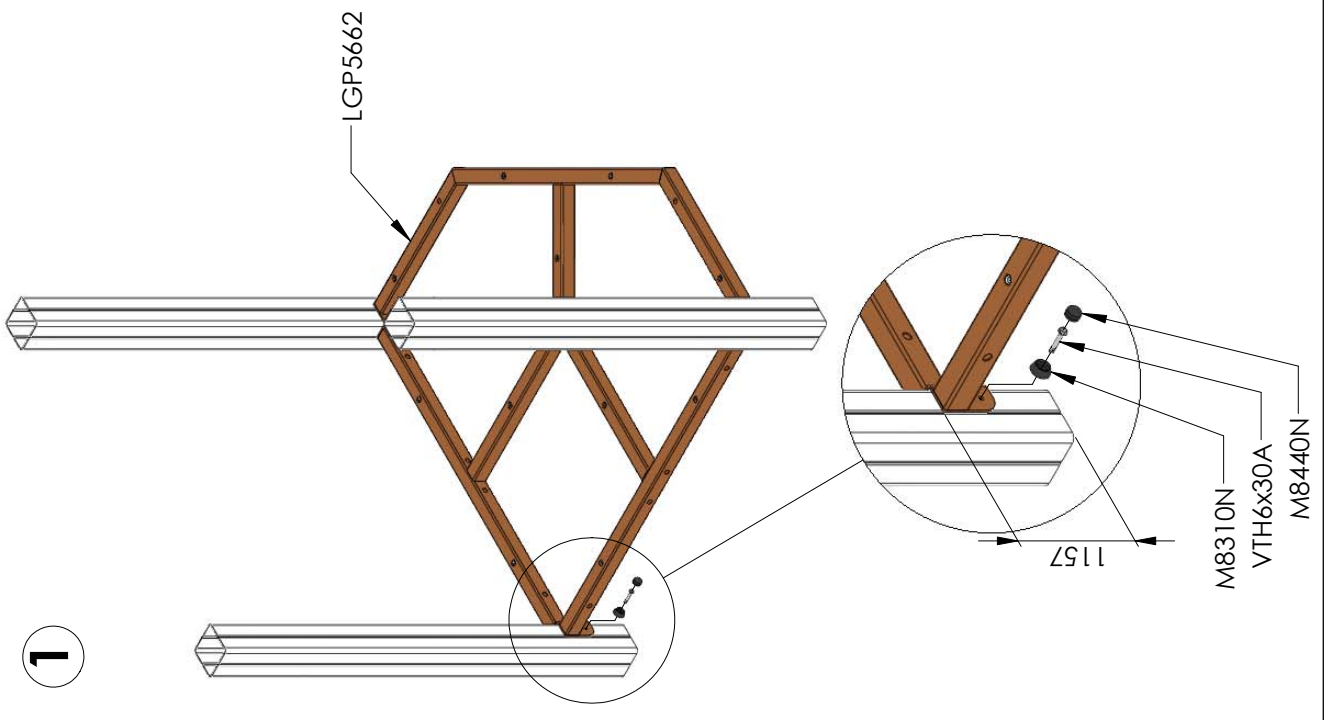


3

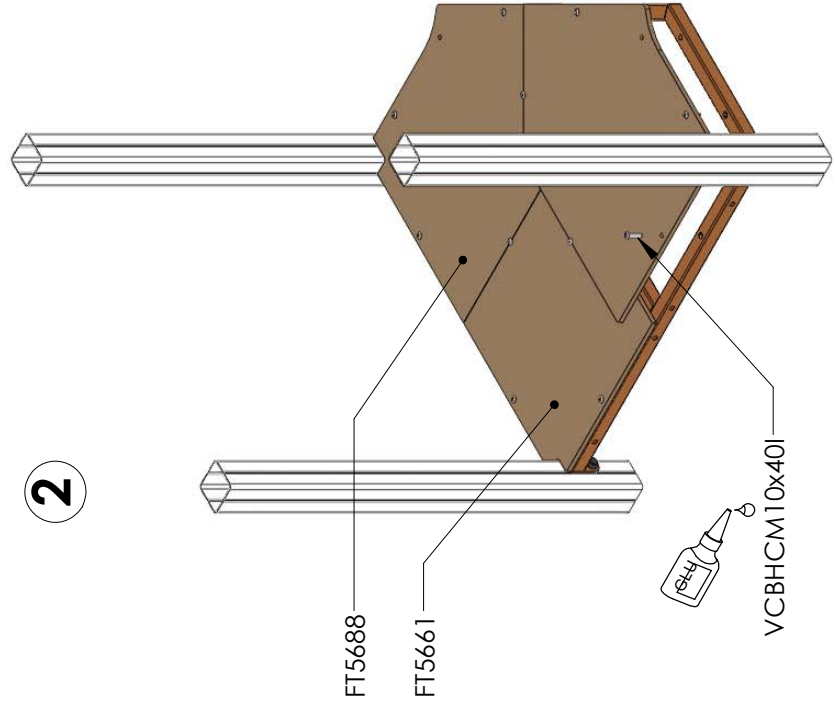




ET2671PV	2
ET5687PV	2
FT5661	1
FT5688	2
LG08	2
LGP5662	1
LI1007	1
LI2804	2
LI4505	8
LI5671	2
LI5672	1
M8310N	14
M8440N	14
M10310N	28
M10440N	28
MI2502N	4
P25	4
VCBHC6M6x25I	8
VCBHC6M10x30I	26
VCBHC6M10x40I	11
VEBM6	8
VEFM10	26
VGC8x55I	2
VTH6x30A	14
VTH10x100	2

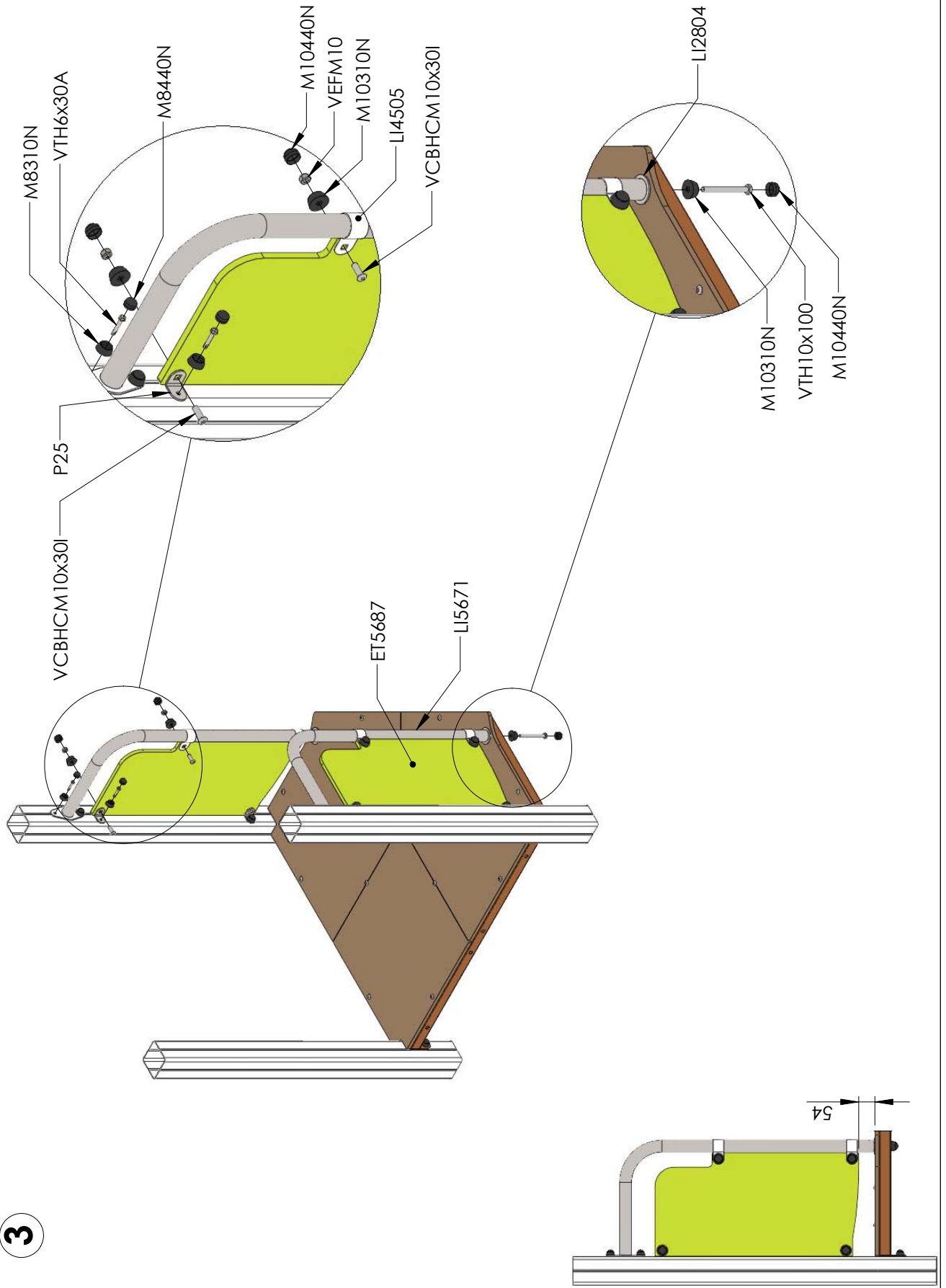


1

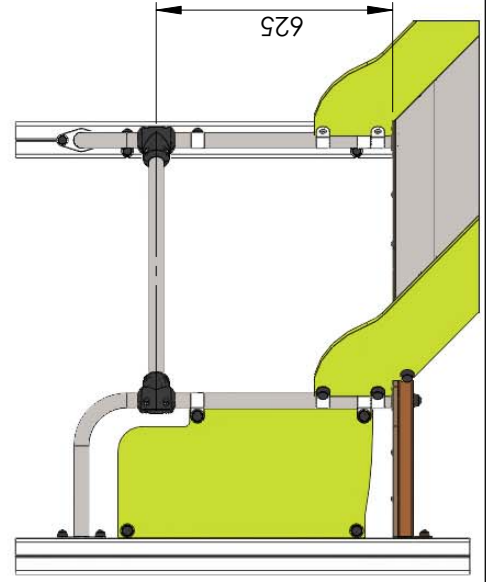
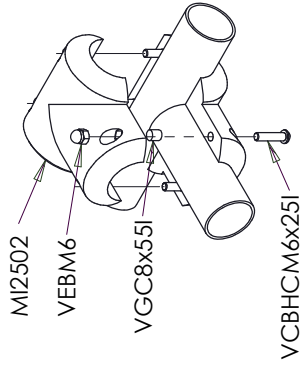
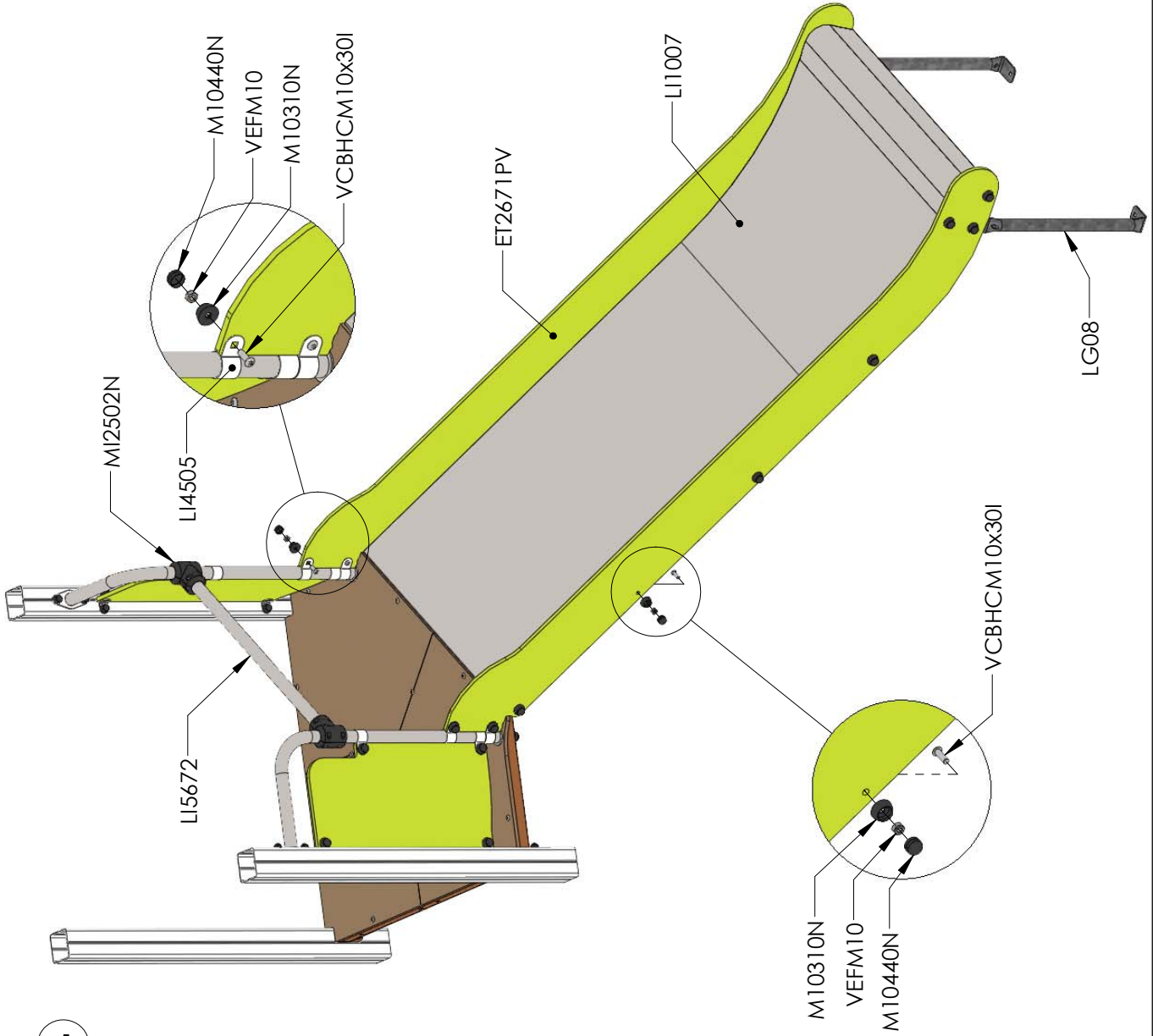


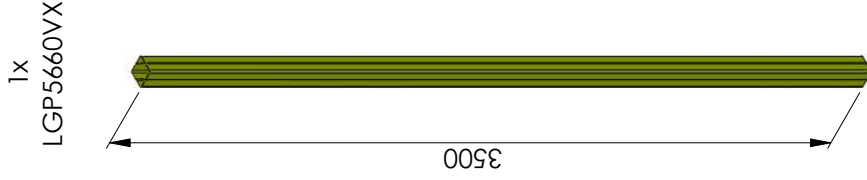
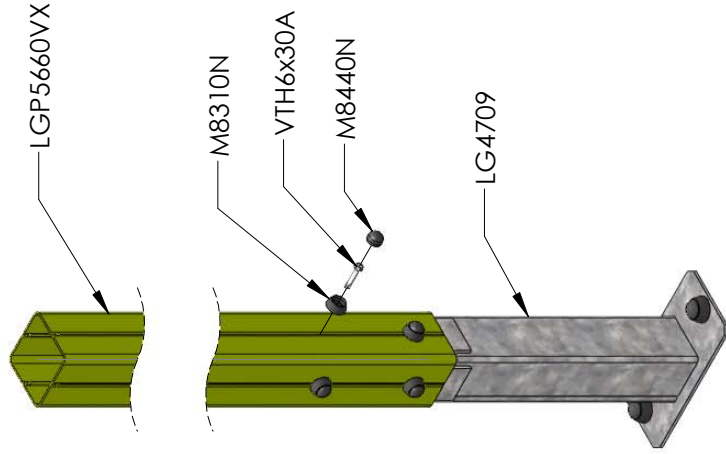
2

3

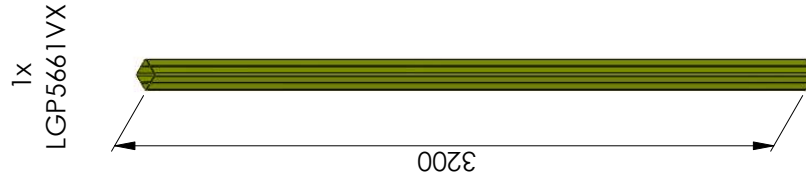
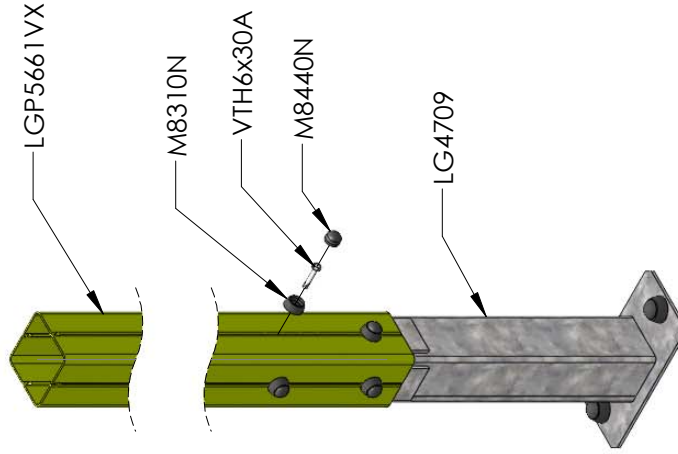


4



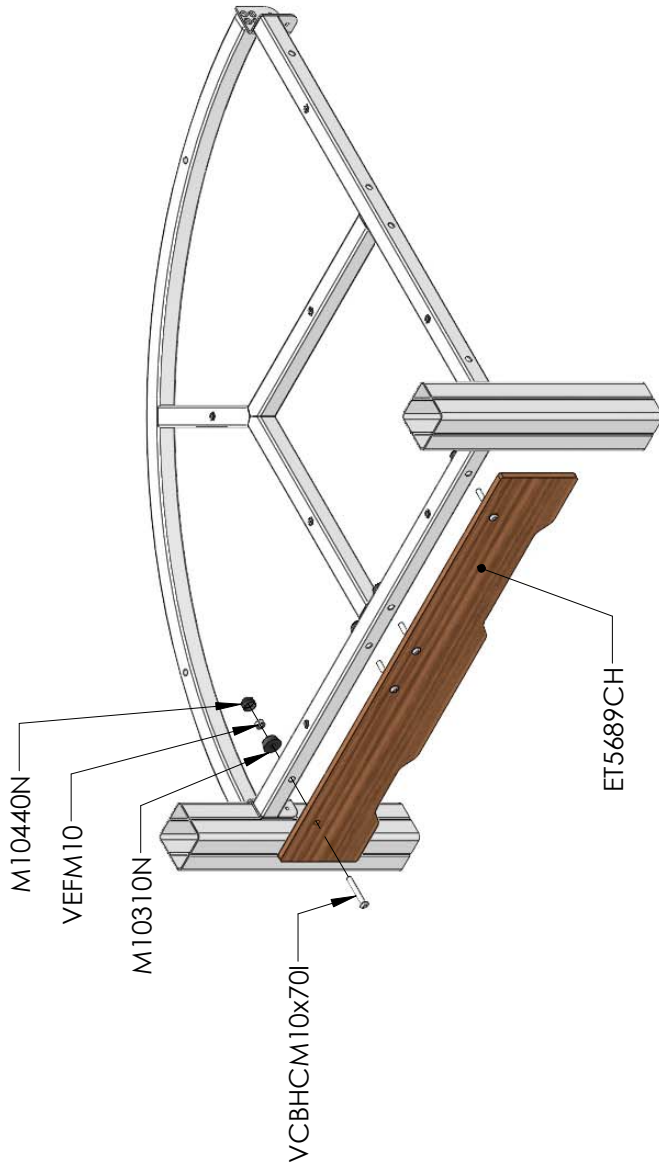


Réf	Qté
LG4709	1
LGP5660VX	1
M8310N	4
M8440N	4
M10310N	2
M10440N	2
RD14M10	2
VTH6x30A	4



Réf	Qté
LG4709	1
LGP5661VX	1
M8310N	4
M8440N	4
M10310N	2
M10440N	2
RD14M10	2
VTH6x30A	4

1

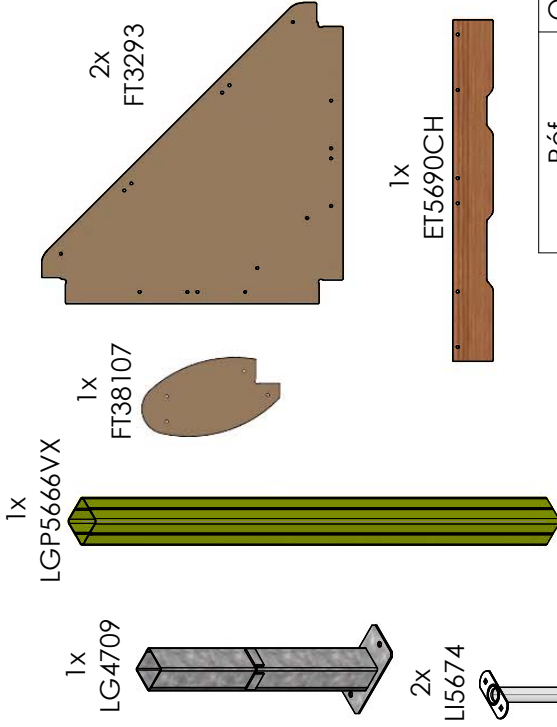
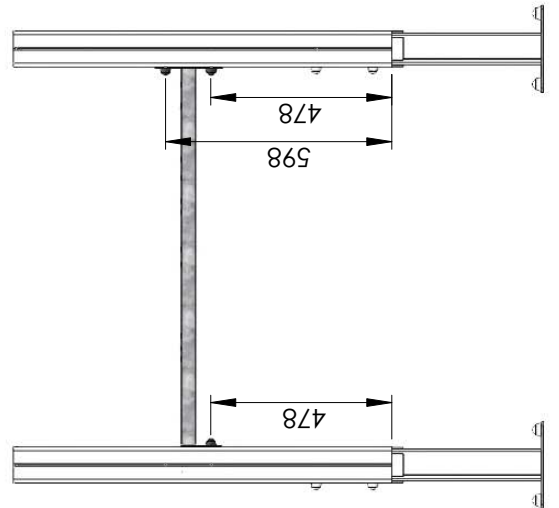
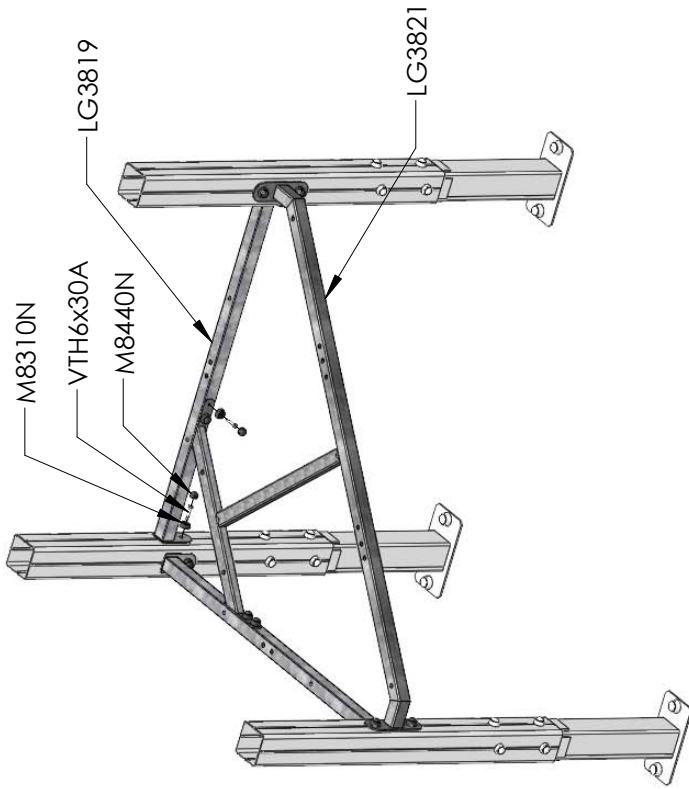


1x
ET5689CH

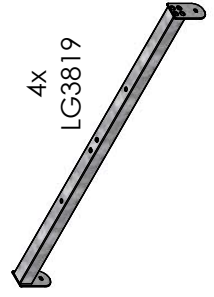
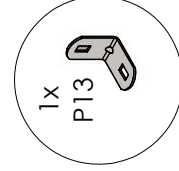
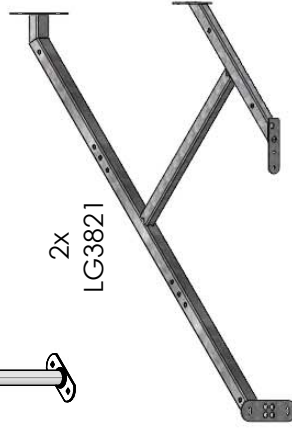


ET5689CH	1
M10310N	4
M10440N	4
VCBHCM10x70I	4
VEFM10	4

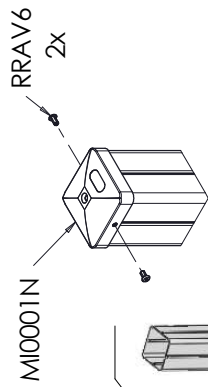
1



Réf	Qté
ET5690CH	1
FT3293	2
FT38107	1
LG3819	4
LG3821	2
LG4709	1
LGP5666VX	1
LI5674	1
M8310N	36
M8440N	36
M10310N	16
M10440N	16
M10001N	1
P13	2
RD14M10	4
RRAV6	2
VCBHC M8x30I	24
VCBHC M10x30I	4
VCBHC M10x70I	8
VEFM10	12
VTH6x30A	36

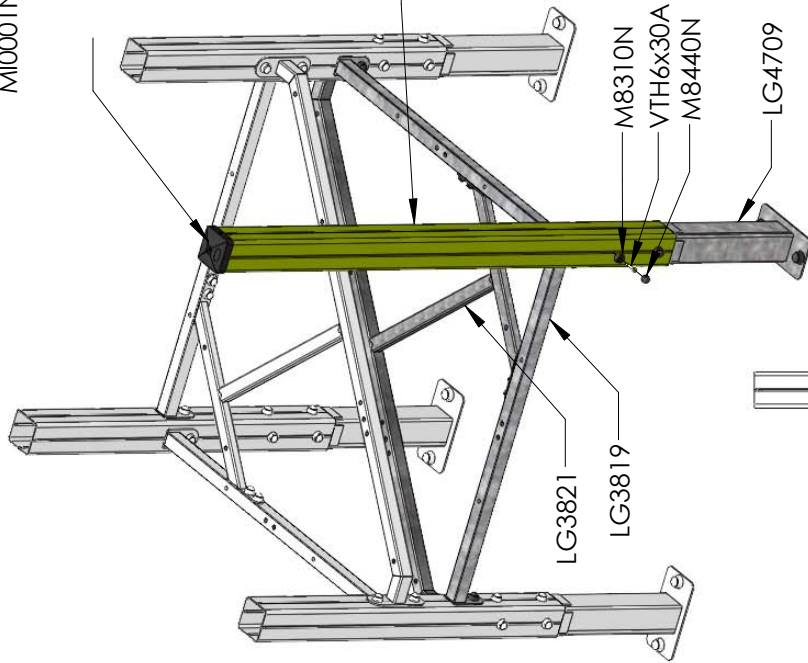


2



M10001N

RRAV6
2x



LG3821

LG3819

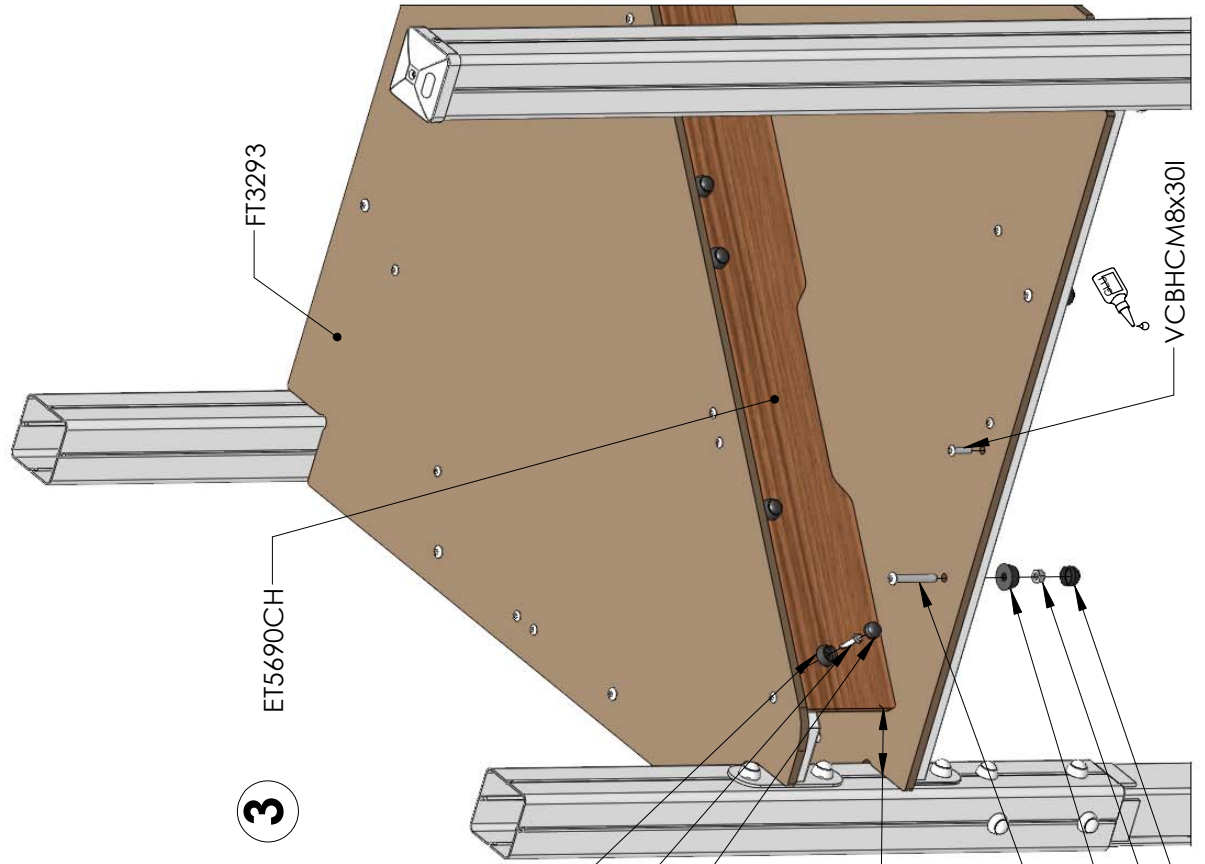
LG4709

M8310N

VTH6x30A

M8440N

3



3

FT3293

ET5690CH

VCBHCM8x30I

M8310N

VTH6x30A

M8440N

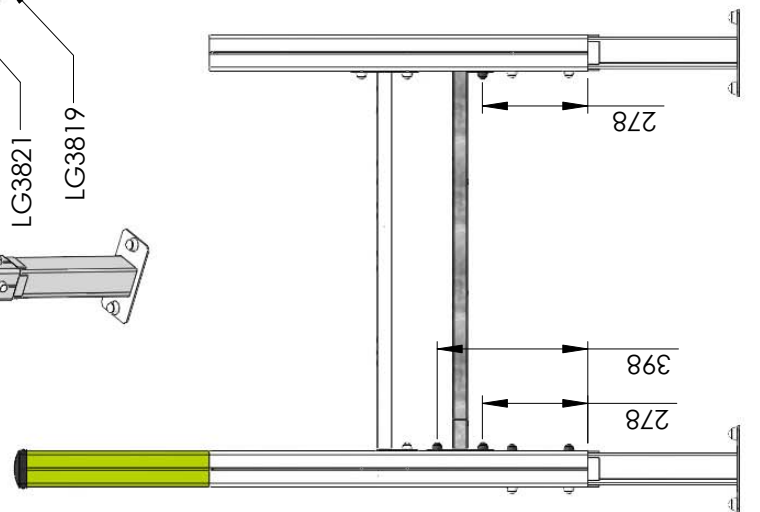
98

VCBHCM10x70I

M10310N

VEFM10

M10440N

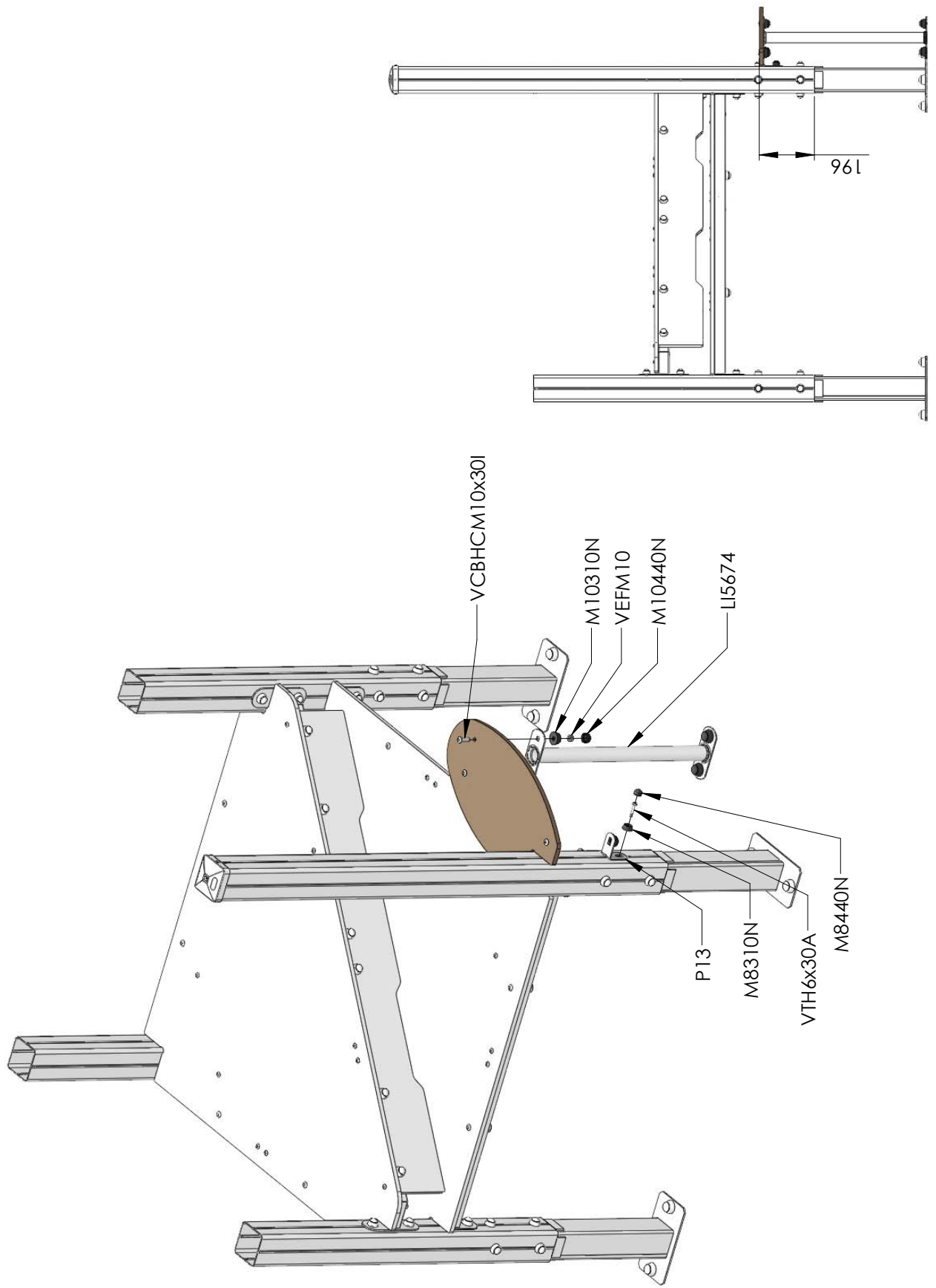


278

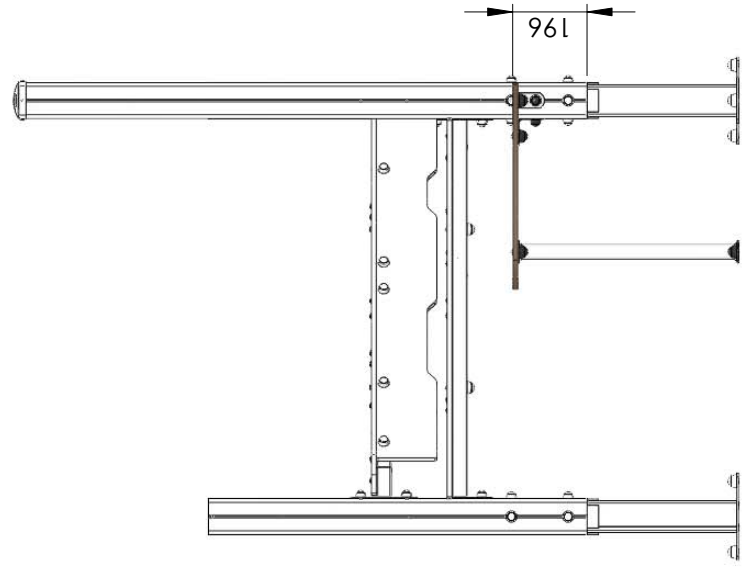
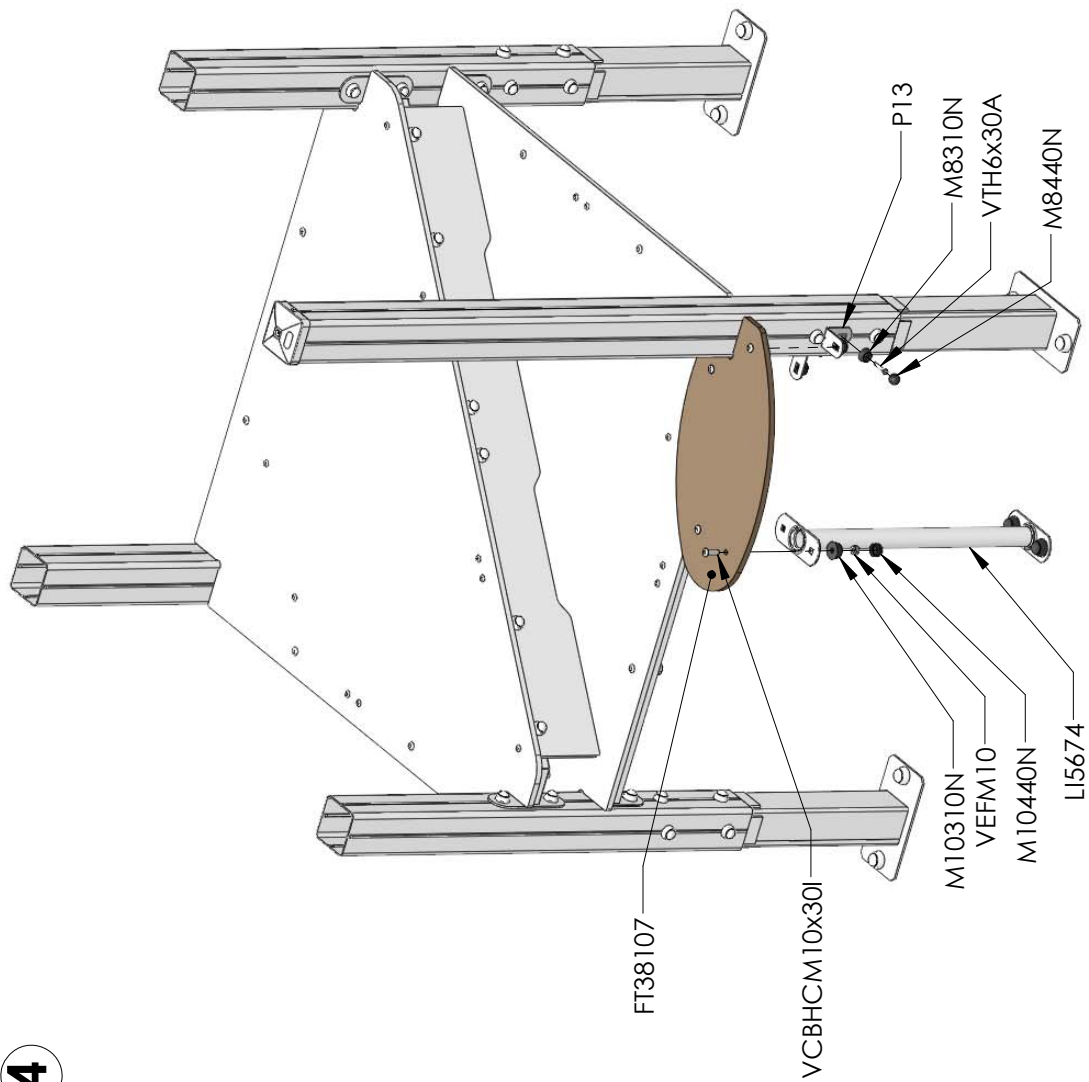
398

278

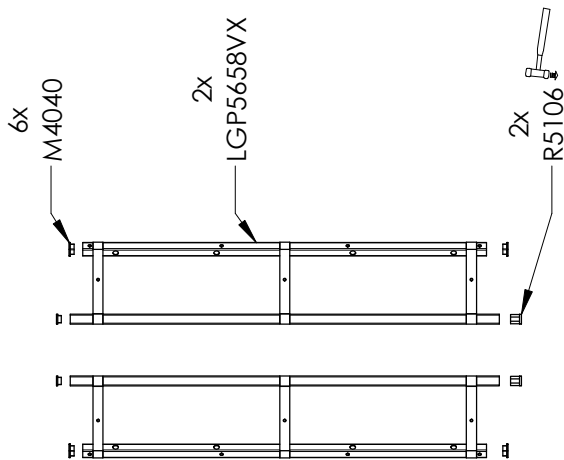
4



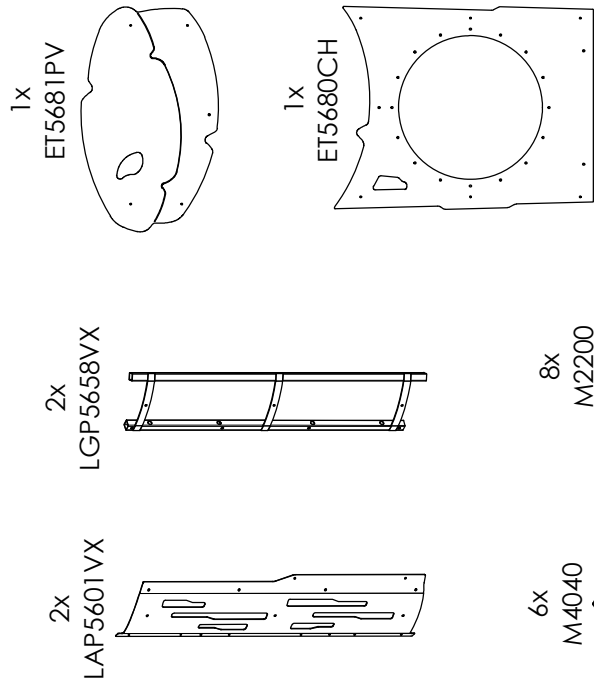
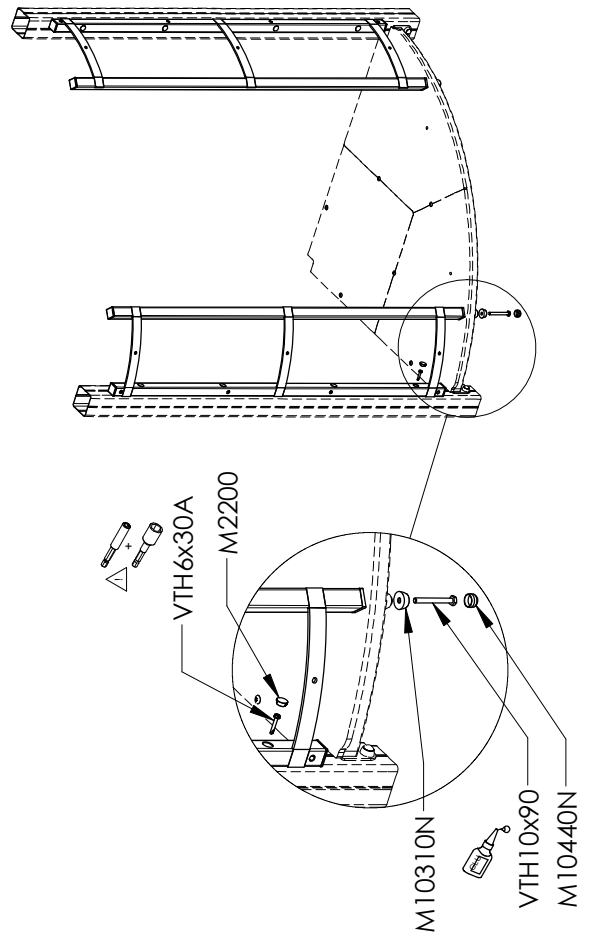
4



1

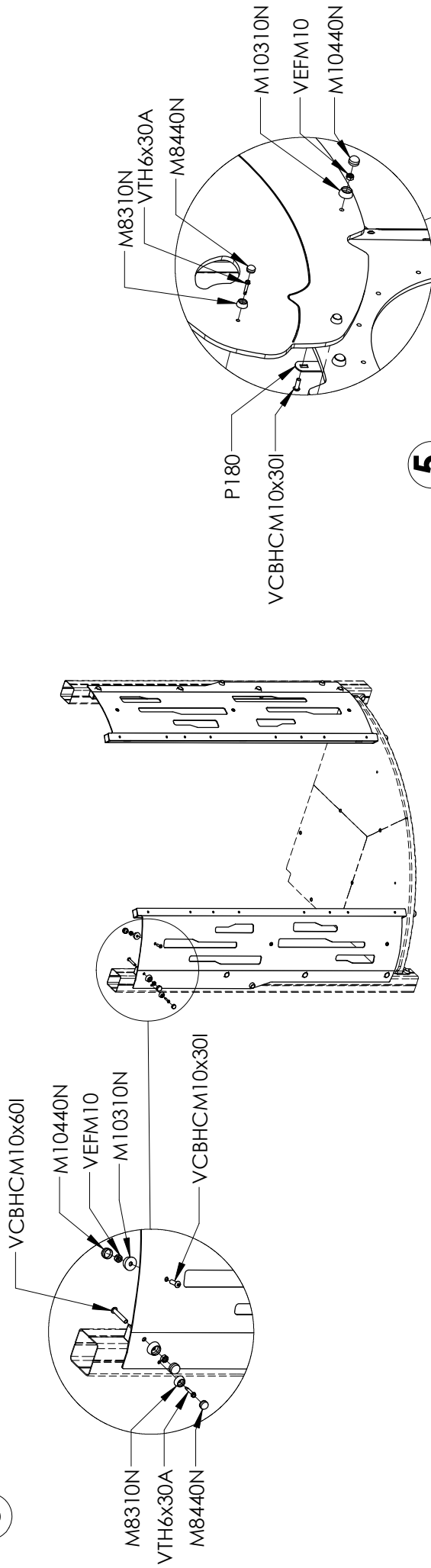


2

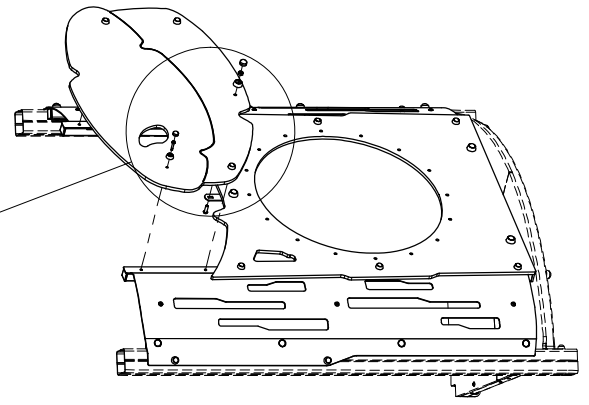


Réf	Qté
ET5680CH	1
ET5681PV	1
LAP5601VX	2
LGP5658VX	2
M2200	8
M4040	6
M8310N	14
M8440N	14
M10310N	22
M10440N	22
P13	2
P180	1
R5106	2
VCBHCMI0x30I	12
VCBHCMI0x60I	8
VEFM10	20
VTH6x30A	22
VTH10x90	2

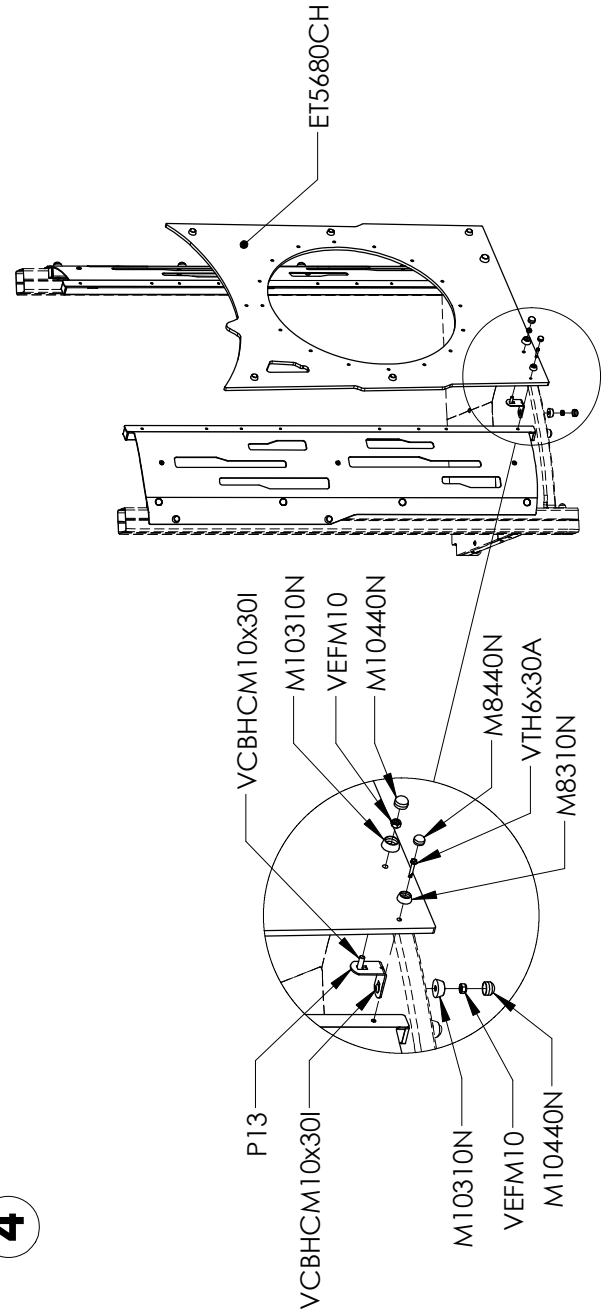
3



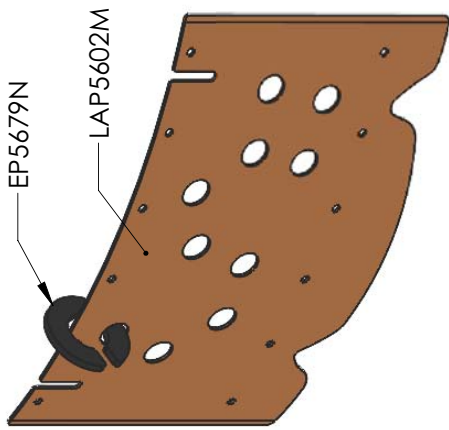
5



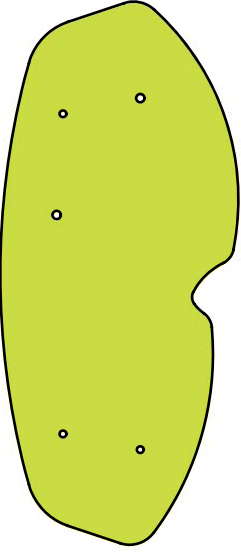
4



1



1x
ET5677PV



2x
ET5678PV



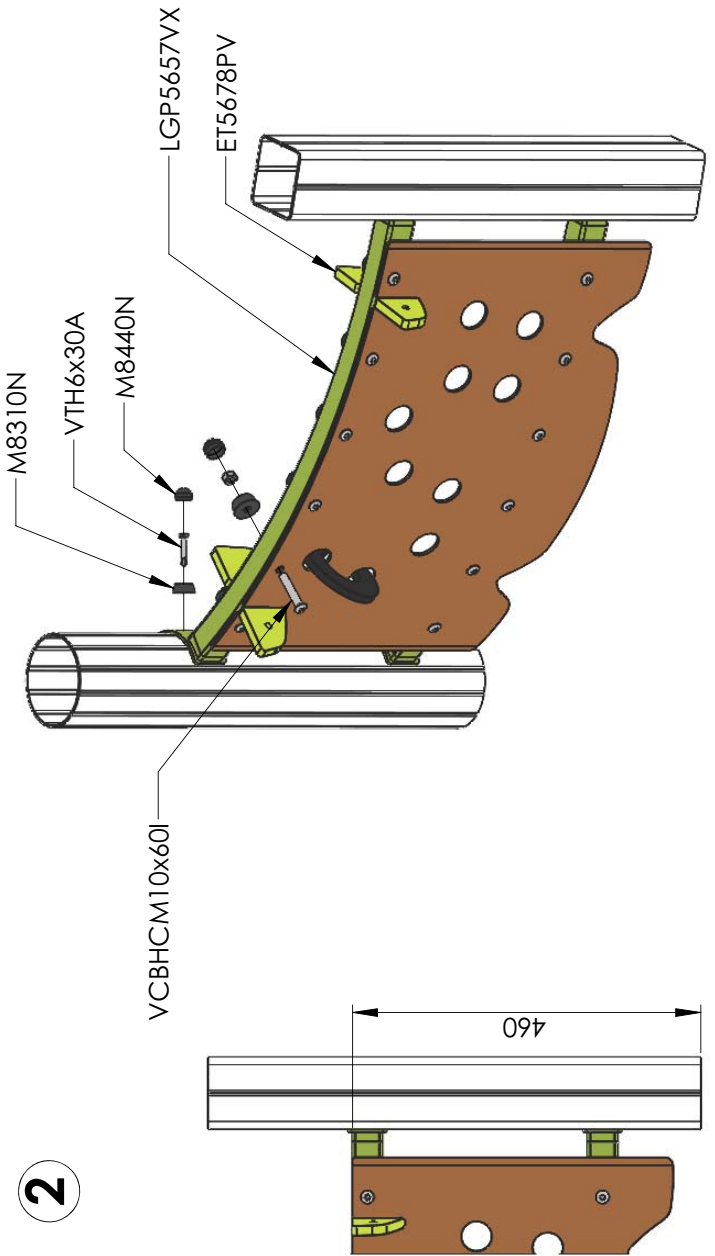
2x
EP3353J



1x
EP5679N



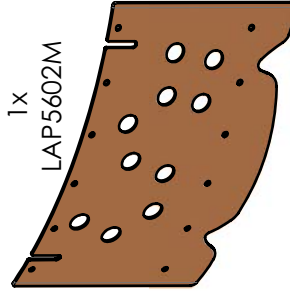
2



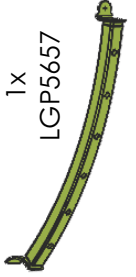
1x
LI33191



1x
LAP5602M

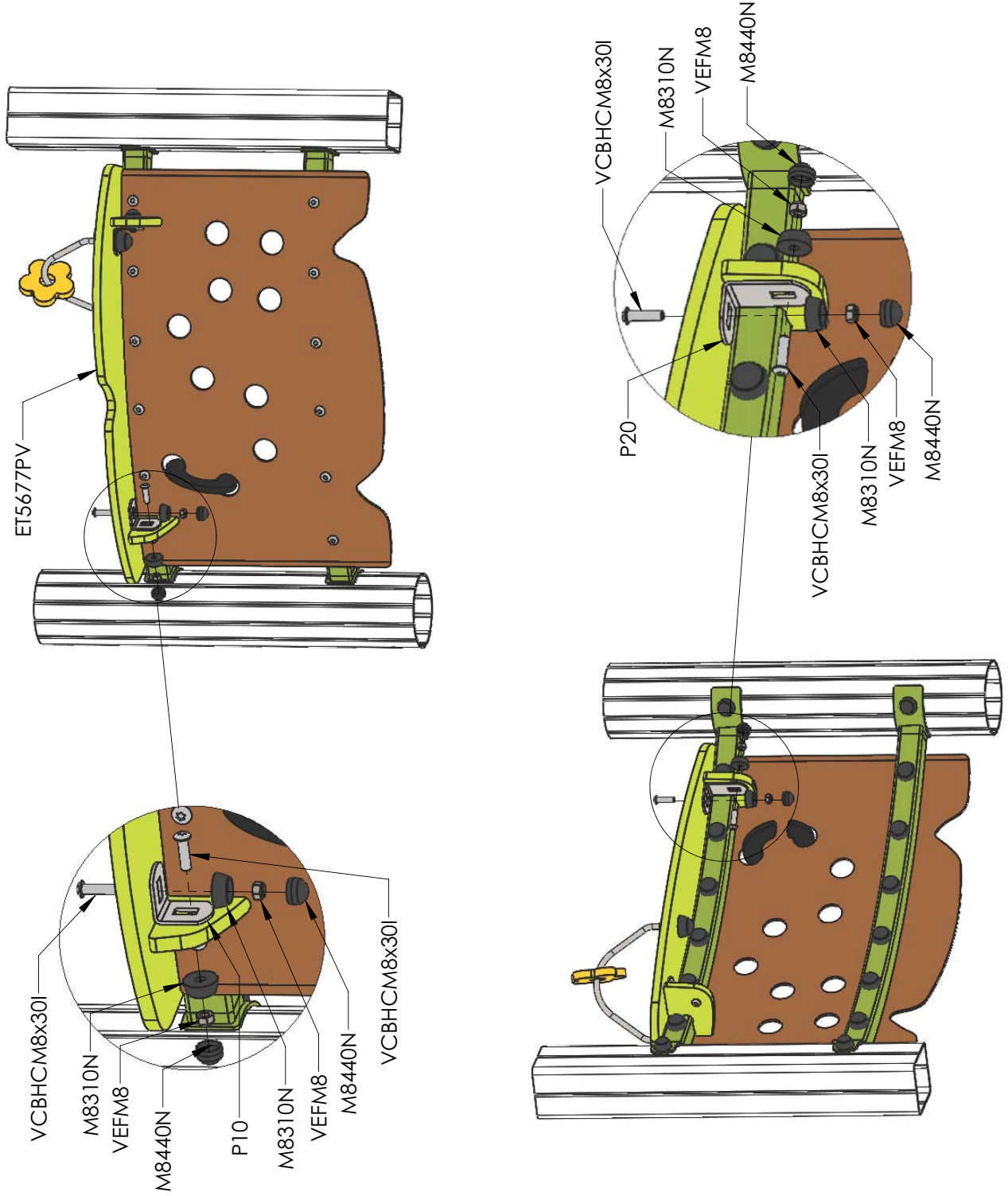


1x
LGP5657

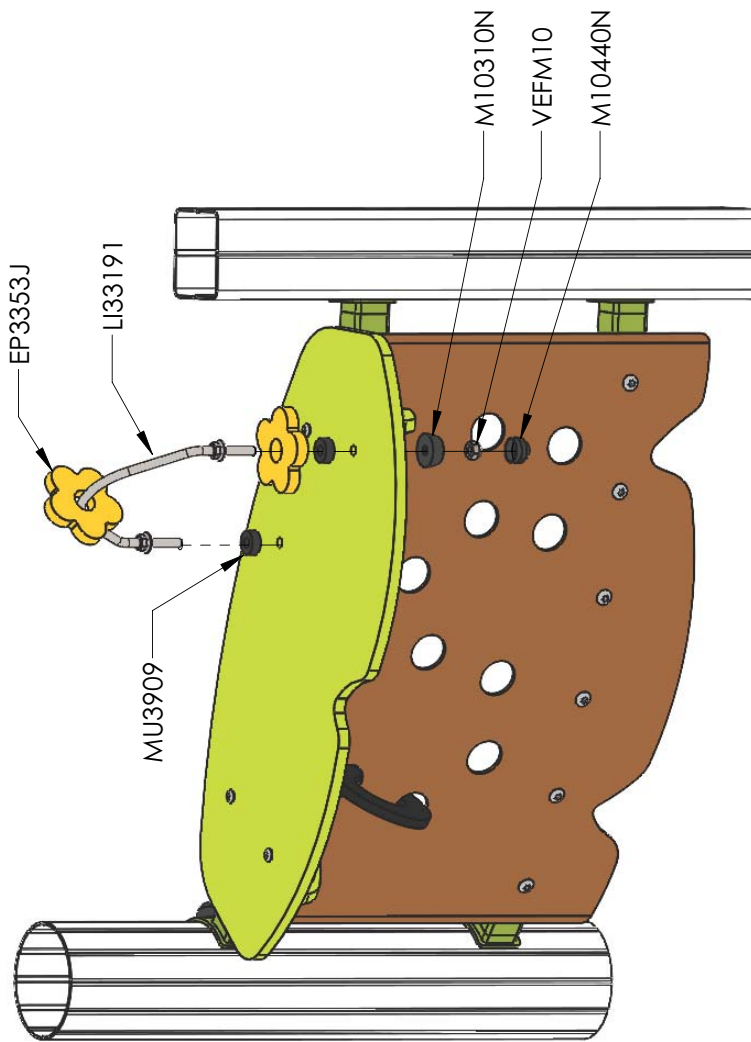


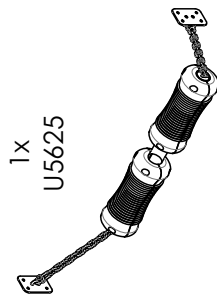
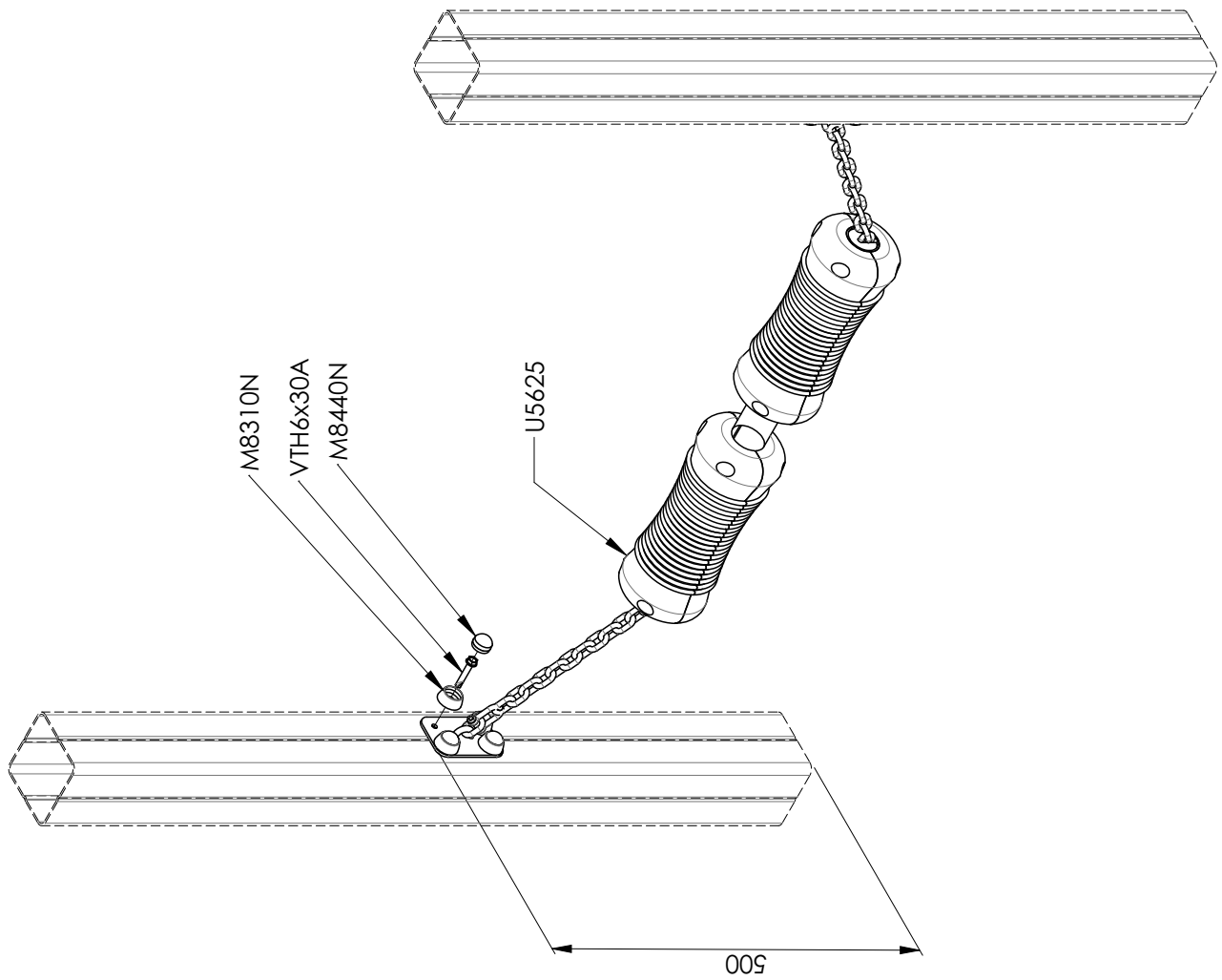
Réf	Qté
EP3353J	2
EP5679N	1
ET5677PV	1
ET5678PV	2
LAP5602M	1
LGP5657VX	2
LI33191	1
M8310N	11
M8440N	11
M10310N	14
M10440N	14
MU3909	2
P10	2
P20	2
VCBHCMM8x30I	7
VCBHCMM10x60I	12
VEFM8	7
VEFM10	14
VTH6x30A	4

3



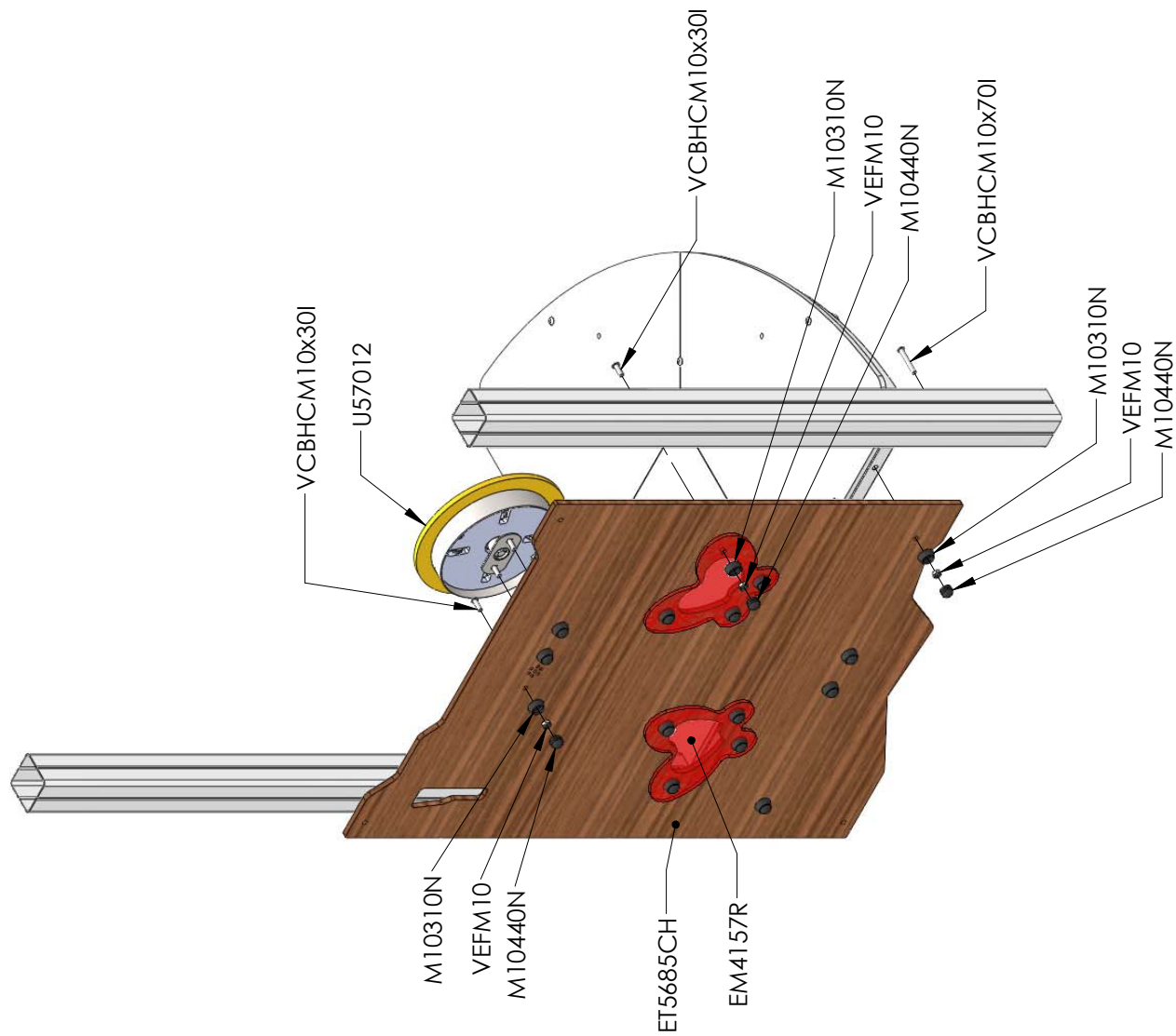
5





U5625	1
VTH6x30A	8
M8310N	8
M8440N	8

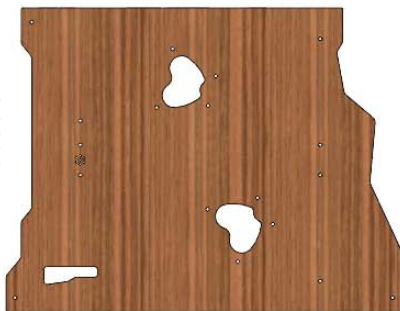
1



1x
ET5686PV



1x
ET5685CH



2x
EM4157R



4x
P20



1x
U57012



EM4157R	2
ET5685CH	1
ET5686PV	1
M8310N	4
M8440N	4
M10310N	19
M10440N	19
P20	4
VCBHC M10x30I	12
VCBHC M10x40I	1
VCBHC M10x70I	4
VEFM10	19
VTH6x30A	4
U57012	1

2

