



N°		m <sup>2</sup>
1	0.6 m	6 m <sup>2</sup>
2	0.7 m	6 m <sup>2</sup>
3	1 m	33.5 m <sup>2</sup>
4	1.95 m	17 m <sup>2</sup>
5	2.7 m	22 m <sup>2</sup>

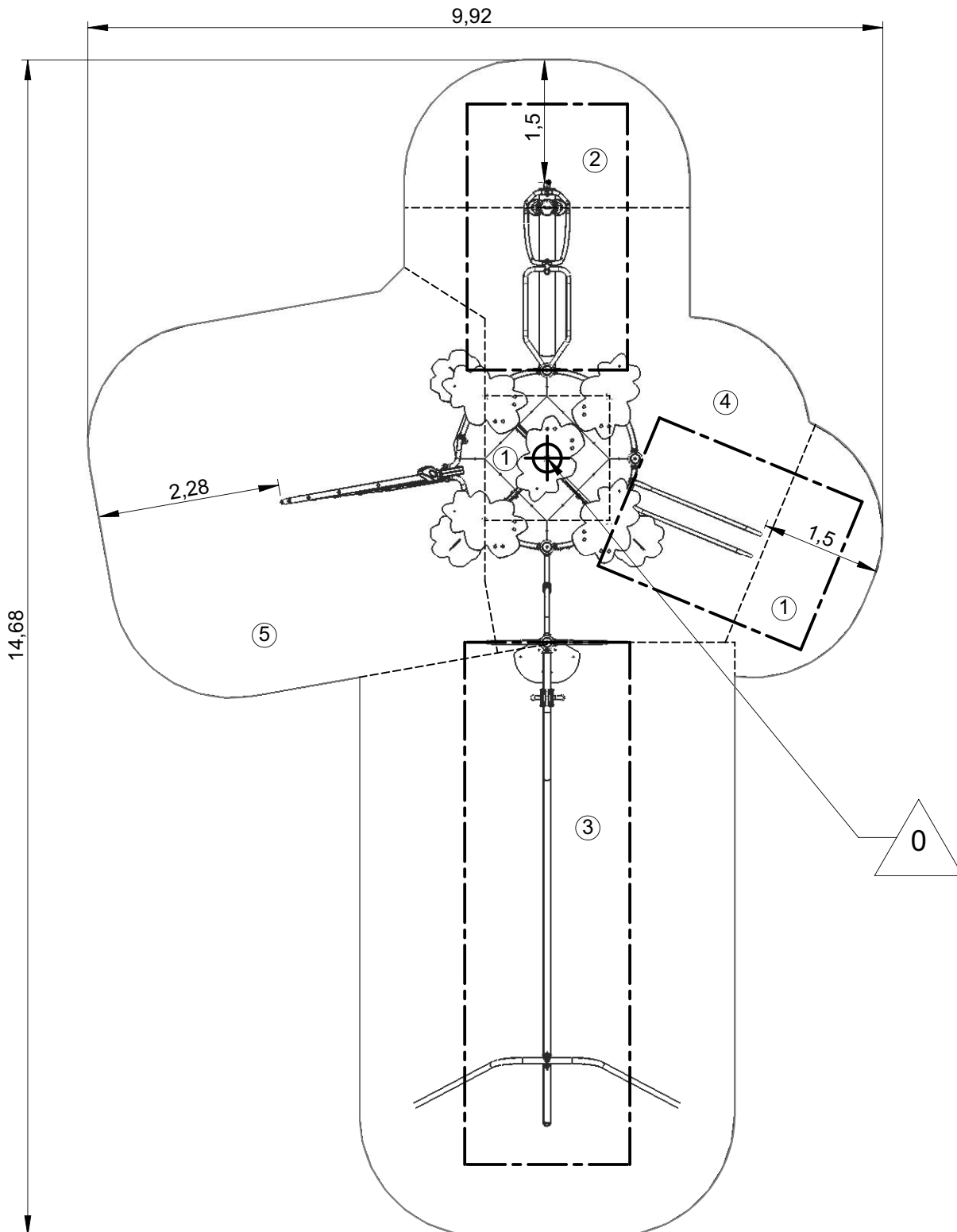
— Zone d'impact  
Impact area  
Area de impacto  
Fallraum  
Valzone

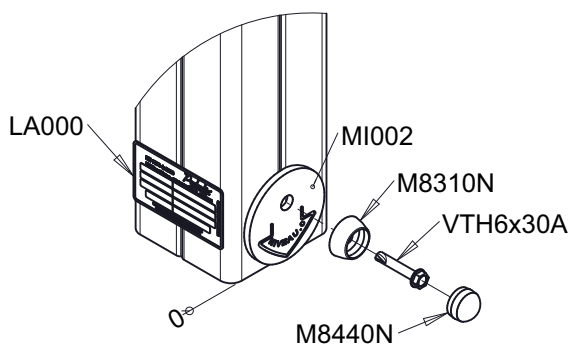
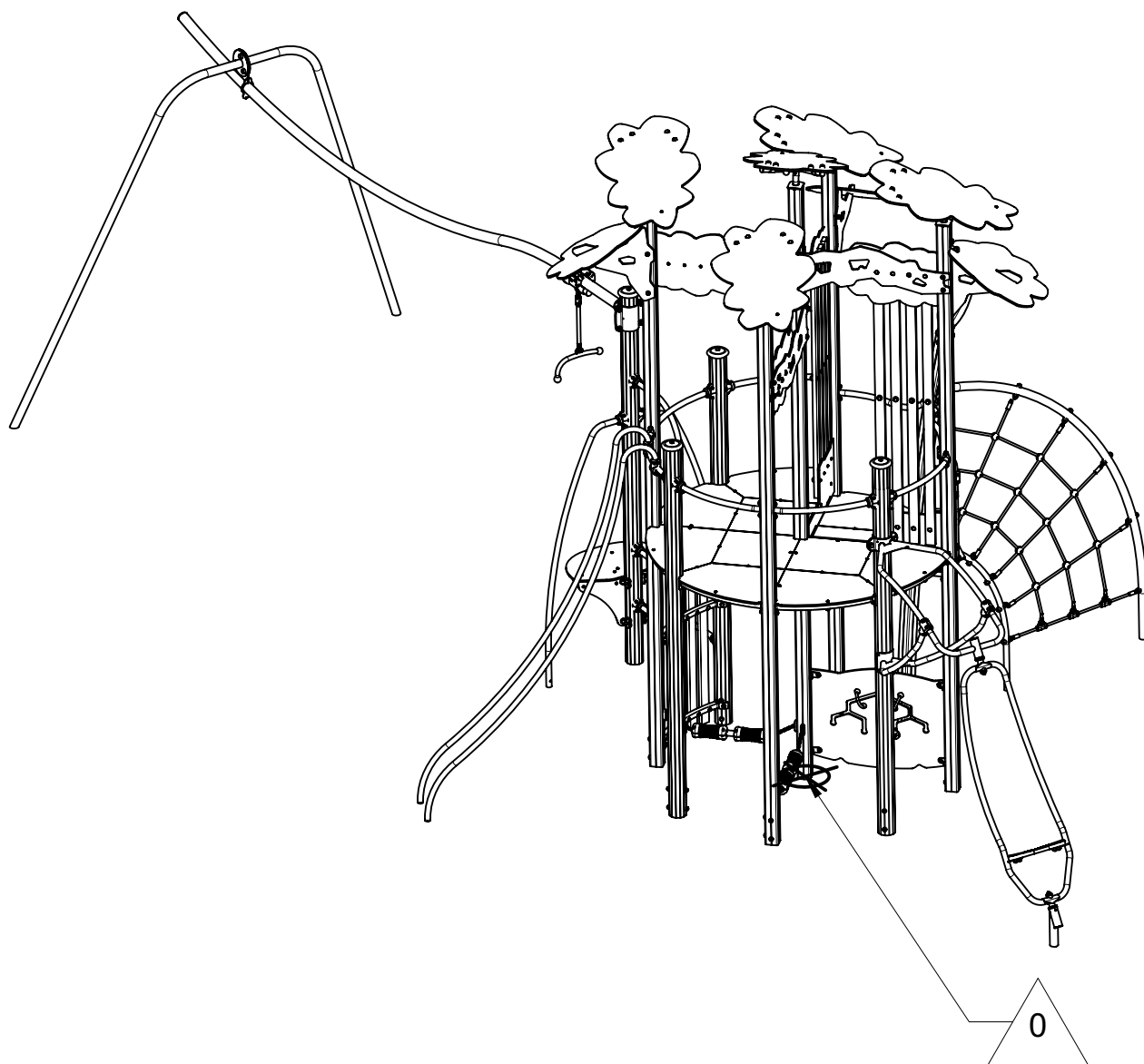
- - - Espace libre  
Free space  
Espacio libre  
Freiraum  
Vrije ruimte



Point de référence  
Setting out point  
Punto de referencia  
Bezugspunkt  
Referentiepunt

EN1176-1:2017  
EN1176-3:2017

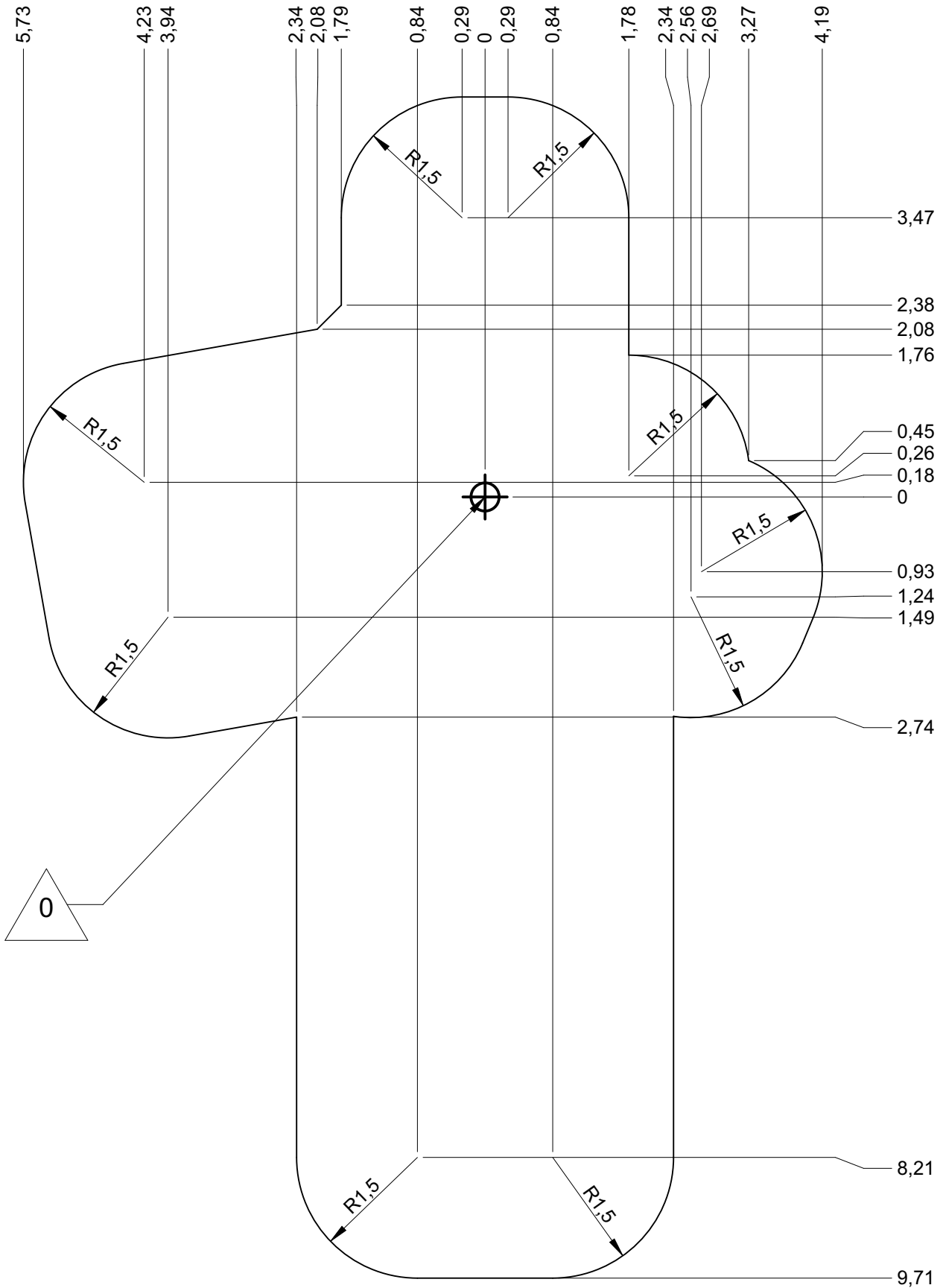




Réf	Qté
G2515	1
G2527	1
G2549M	1
G5625	1
G5676A	1
G56002	1
G56009	1
G56012	1
G56013	2

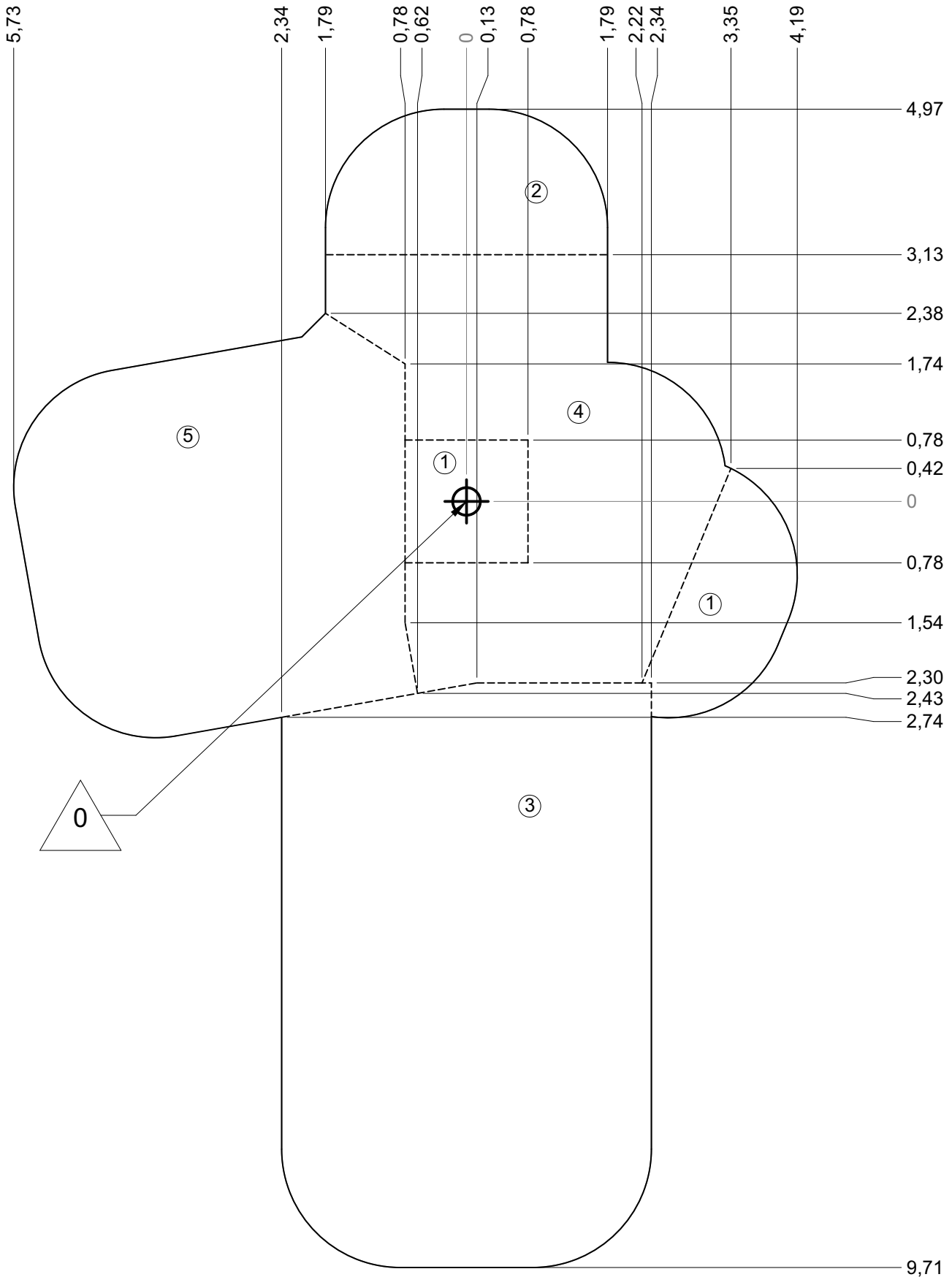
— Zone d'impact  
 Impact area  
 Area de impacto  
 Fallraum  
 Valzone

84.5 m<sup>2</sup>

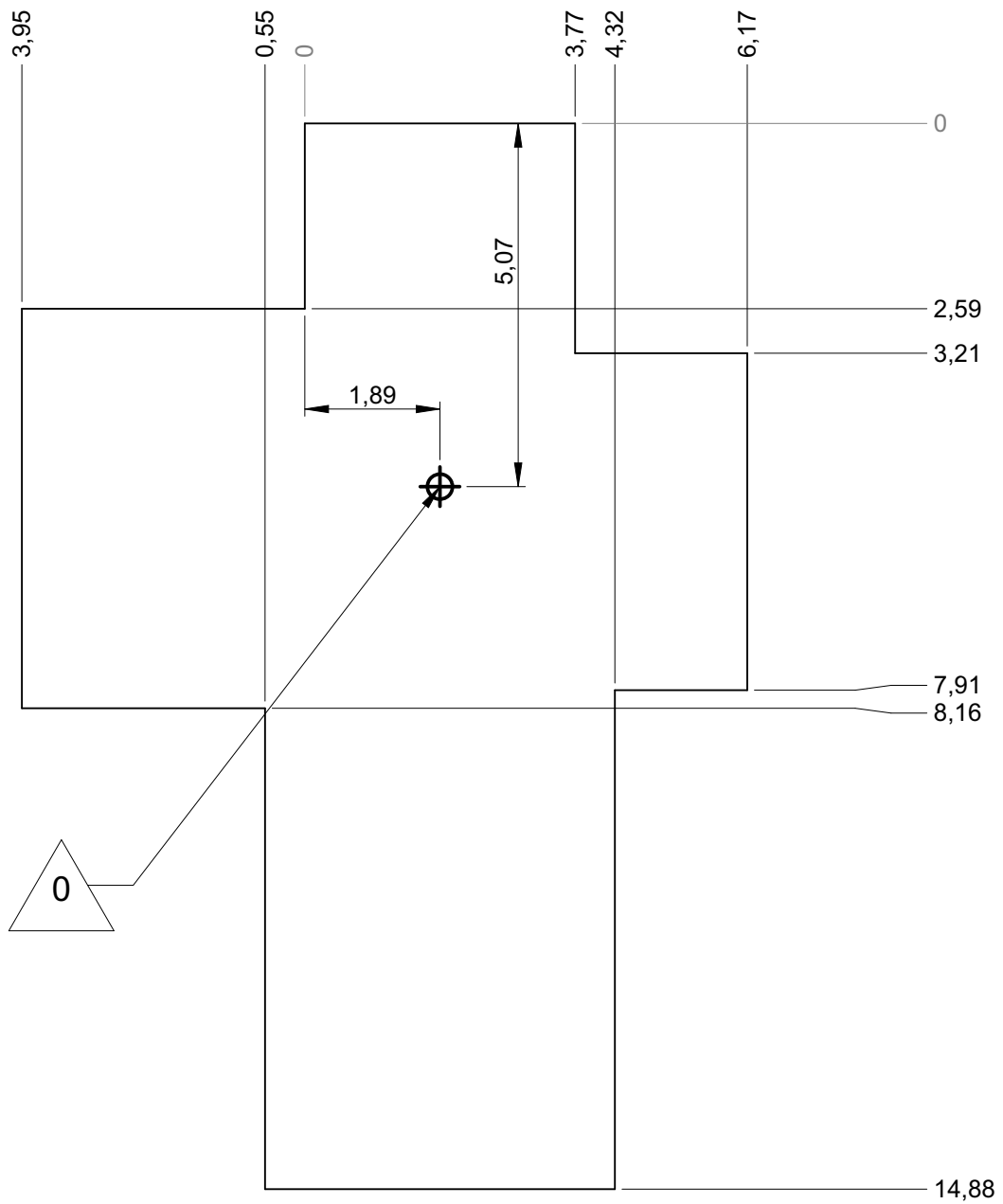


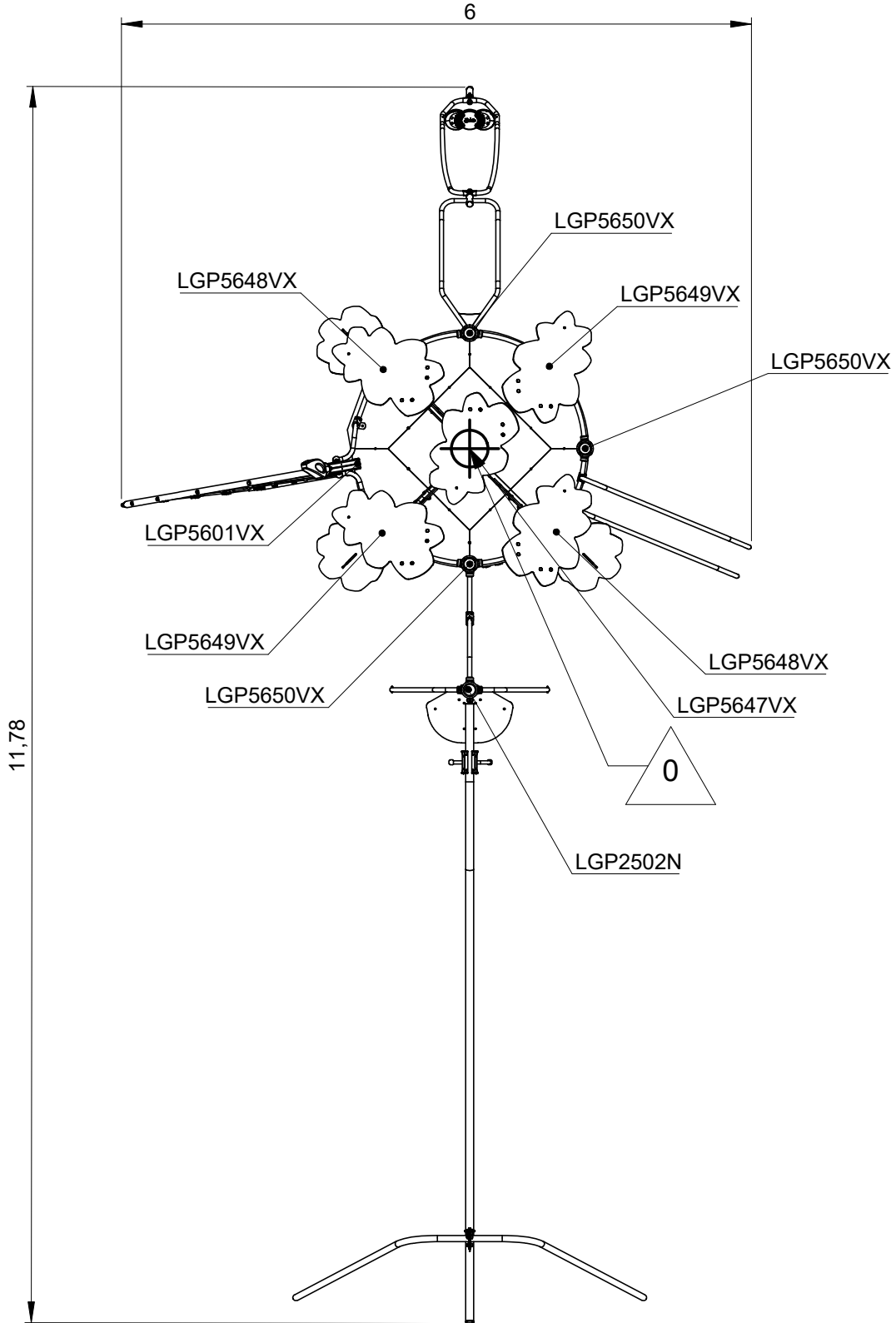
— Sol souple  
 — Wetpour  
 — Caucho continuo  
 — Synthetischer Fallschutz  
 — Gietvloer

**84.5 m<sup>2</sup>**

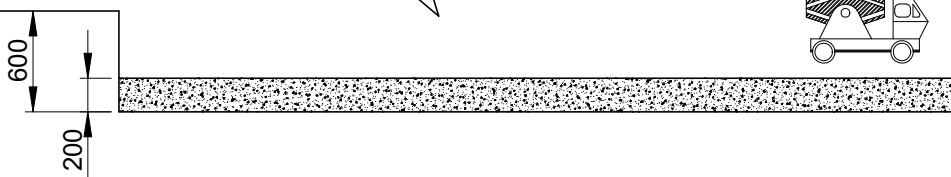
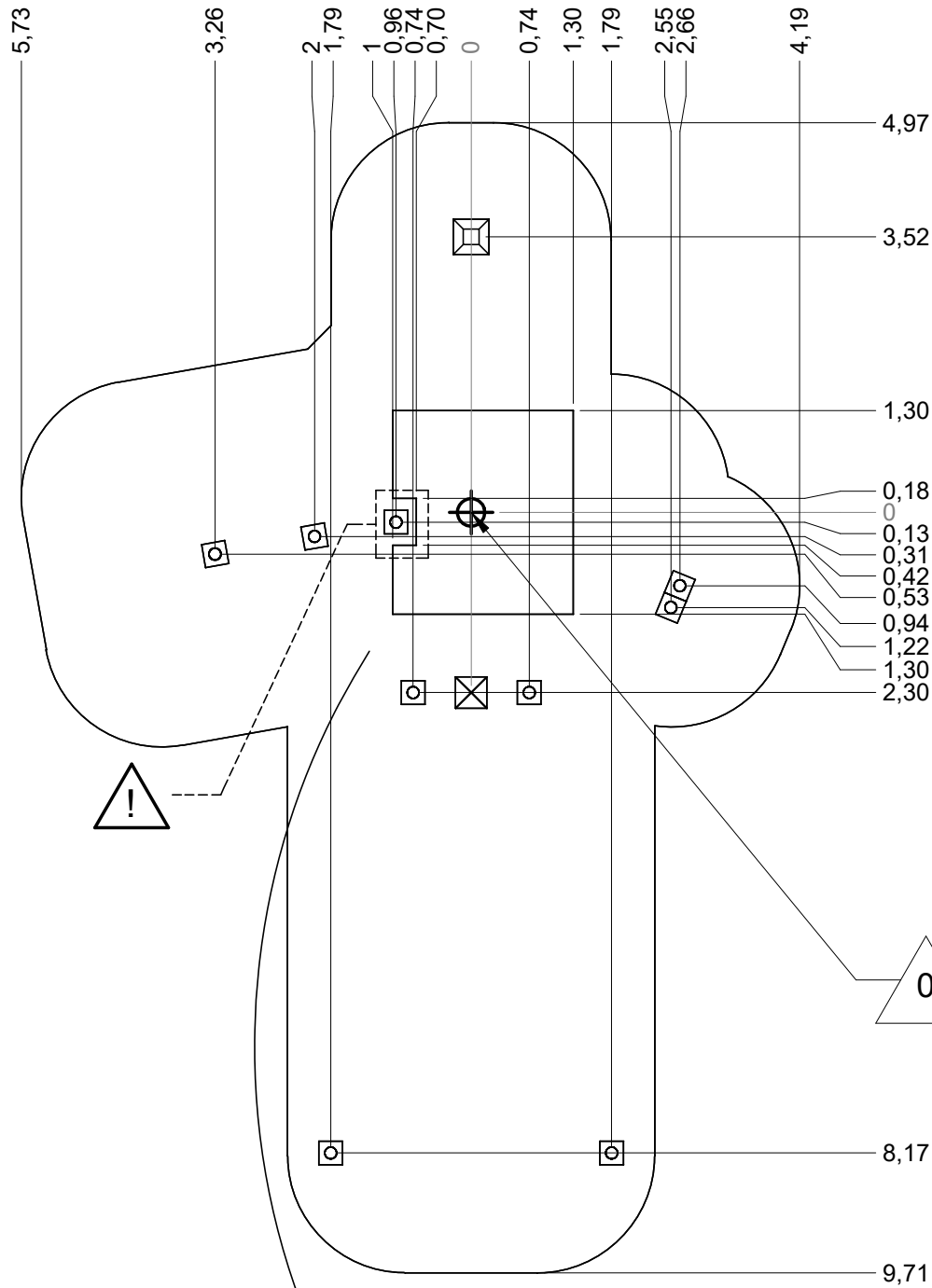


— Sol fluent  
 Loos partucule material 51 m  
 Arenero  
 Loses Bodenmaterial 97 m<sup>2</sup>  
 Los bodemmaterial

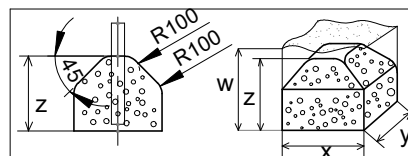







Implantation  
Footing plan  
Implantación  
Fundamentplan  
Funderingstekening

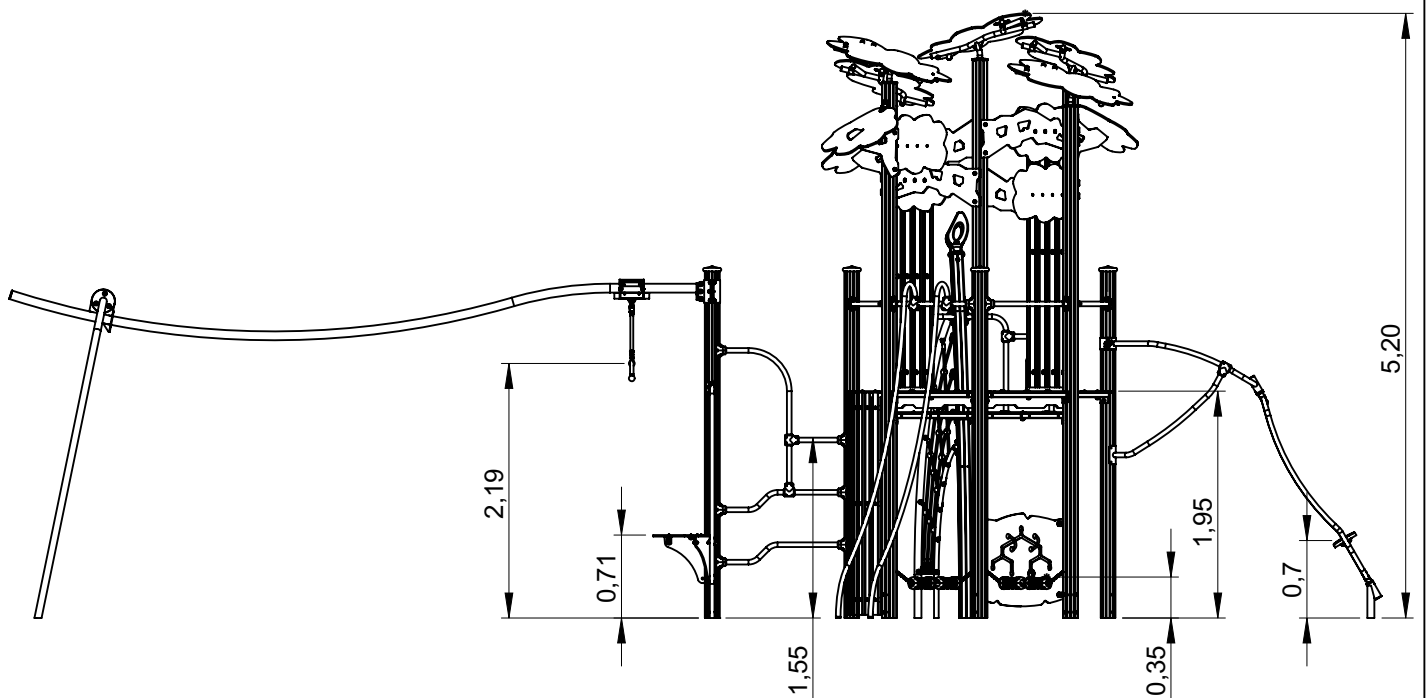
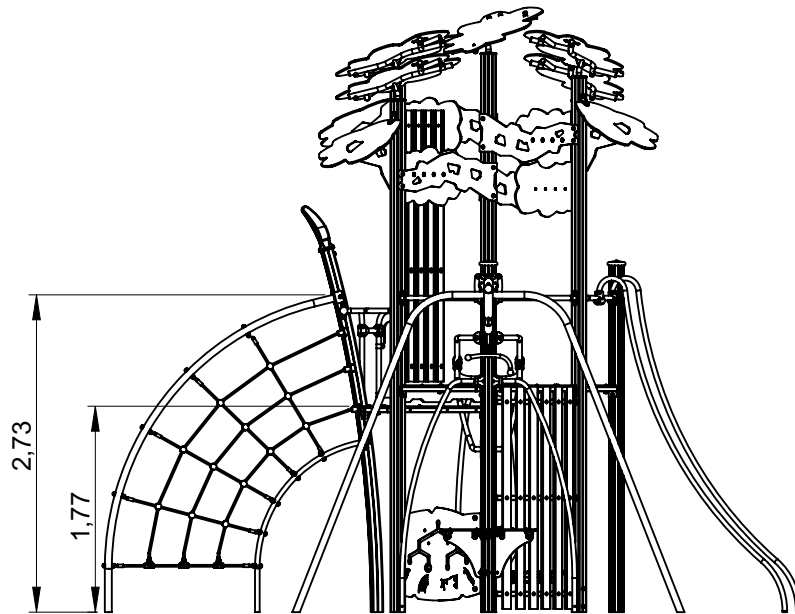


 x2  
 21H  
 1.7 m<sup>3</sup>

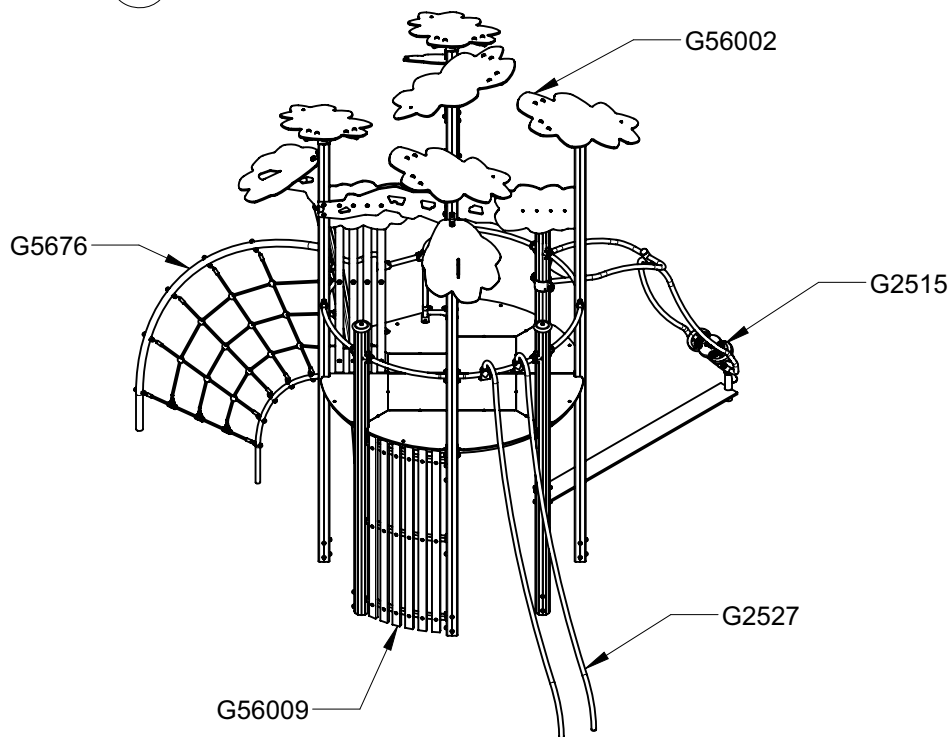


	x	y	z	w
	0.3	0.3	0.3	0.6
	0.4	0.4	0.6	0.8
	0.45	0.45	0.6	0.8

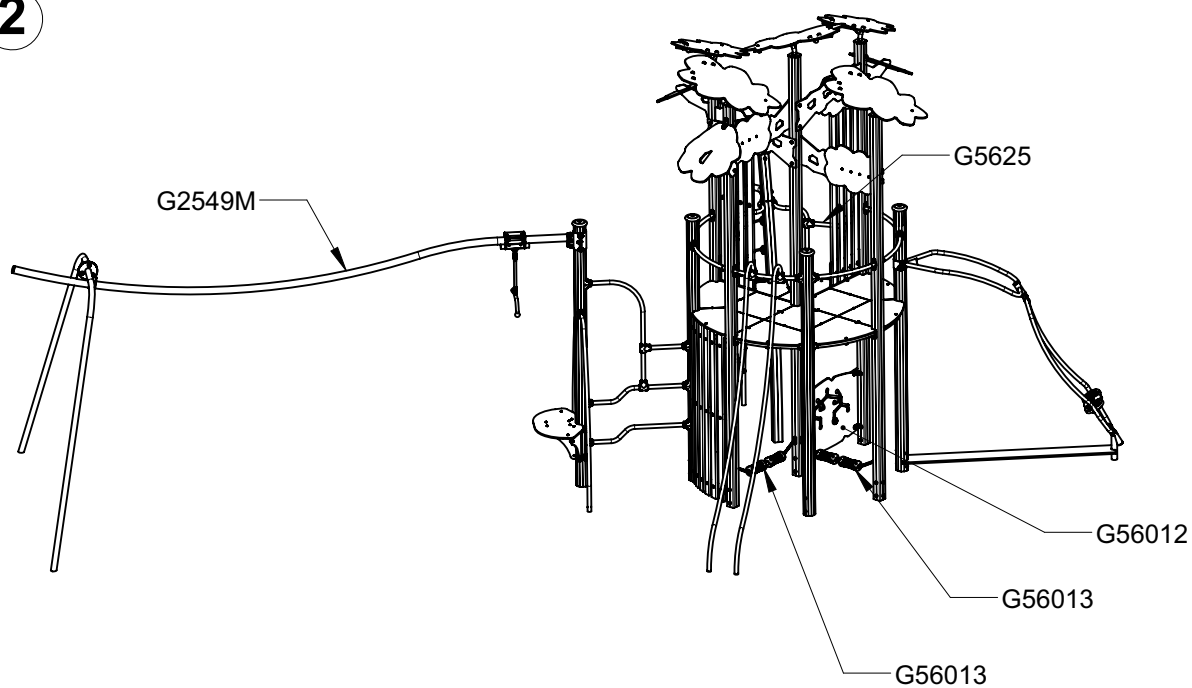


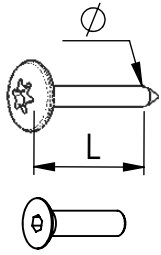


1



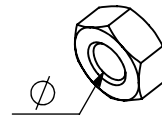
2



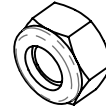


VBT 6 x 30  
 $\varnothing$  L (mm)

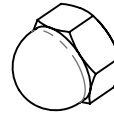
VFHC



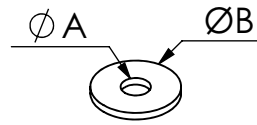
VEC M10  
 $\varnothing$




VEF




VEB



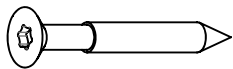
VR6x18  
 $\varnothing A$   $\varnothing B$



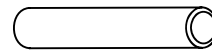
**1000 - 1800 tr/min**  
 Vitesse de rotation  
 Rotation speed



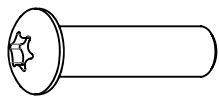
**14 N.m**  
 Couple de rupture  
 Torque of break



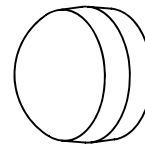
VWT



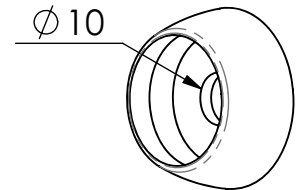
VGC



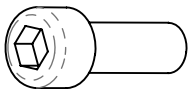
VCBHC



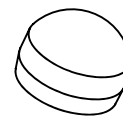
M10 440N



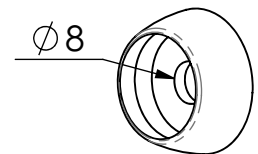
M10 310 N



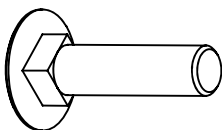
VBTR



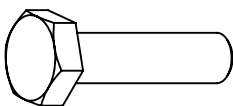
M8440N



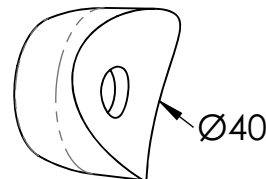
M8310N



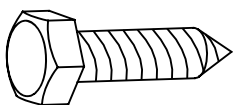
VTRCC



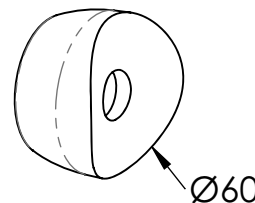
VTH



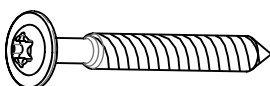
MI2503



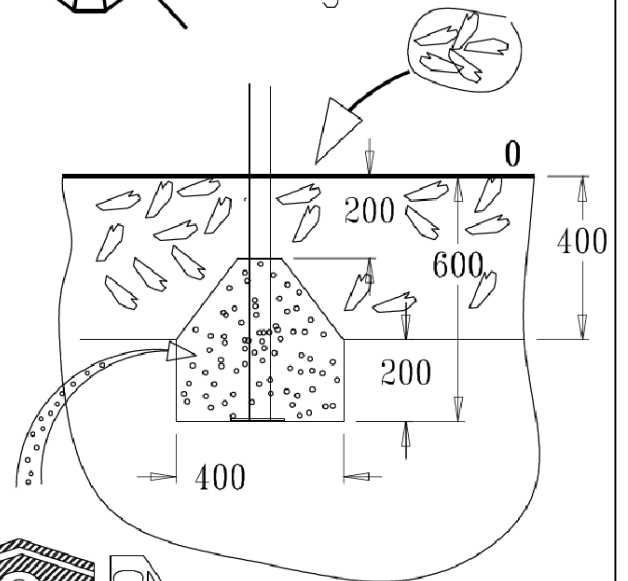
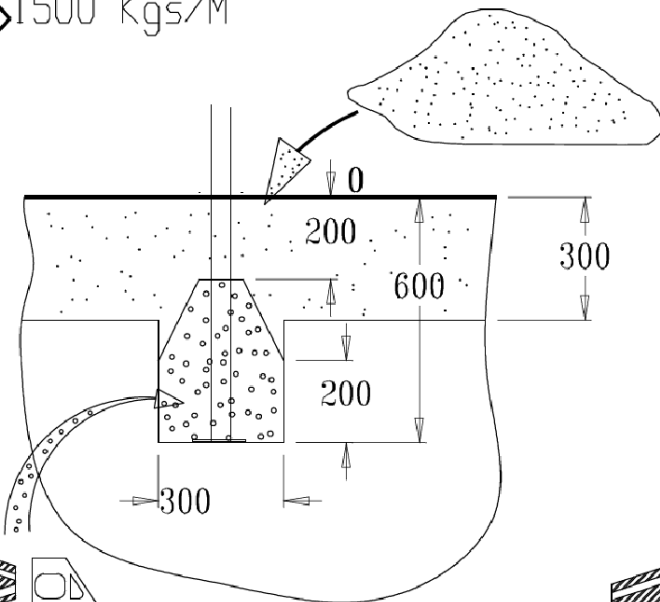
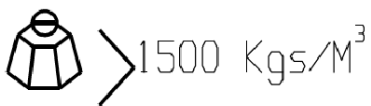
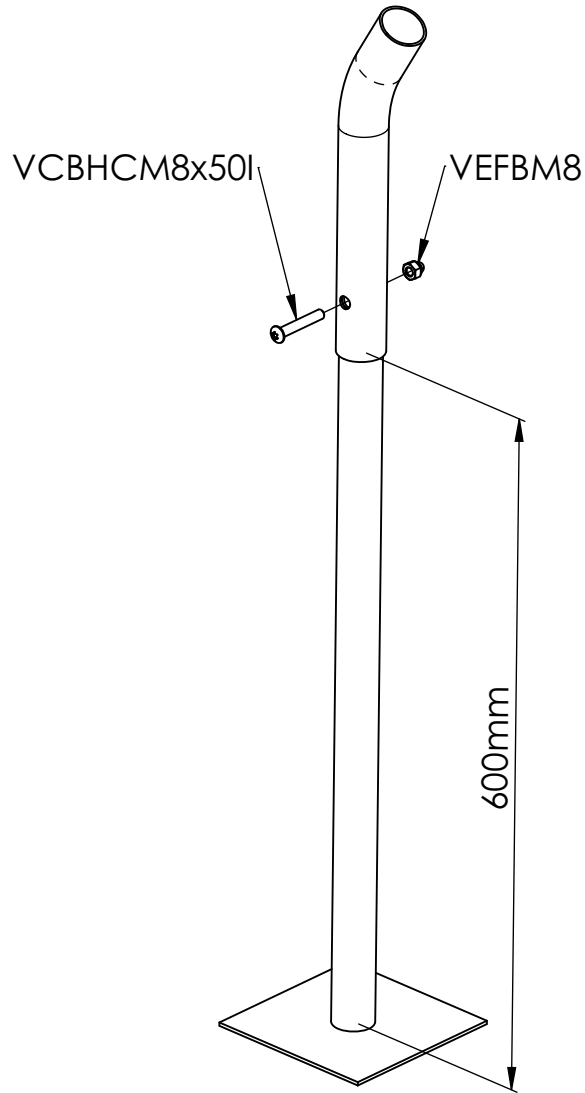
VTF

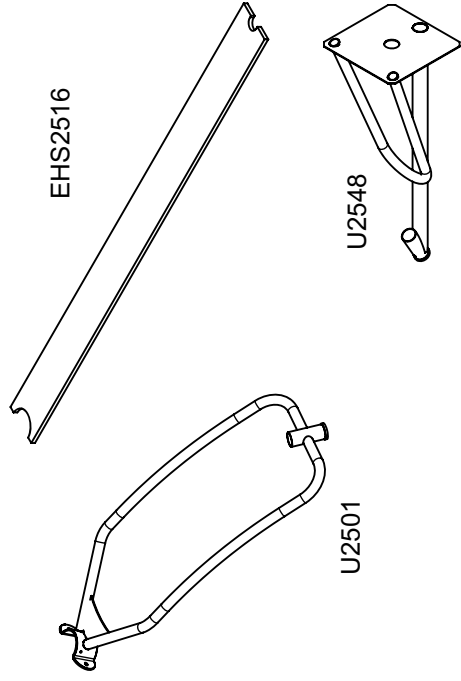
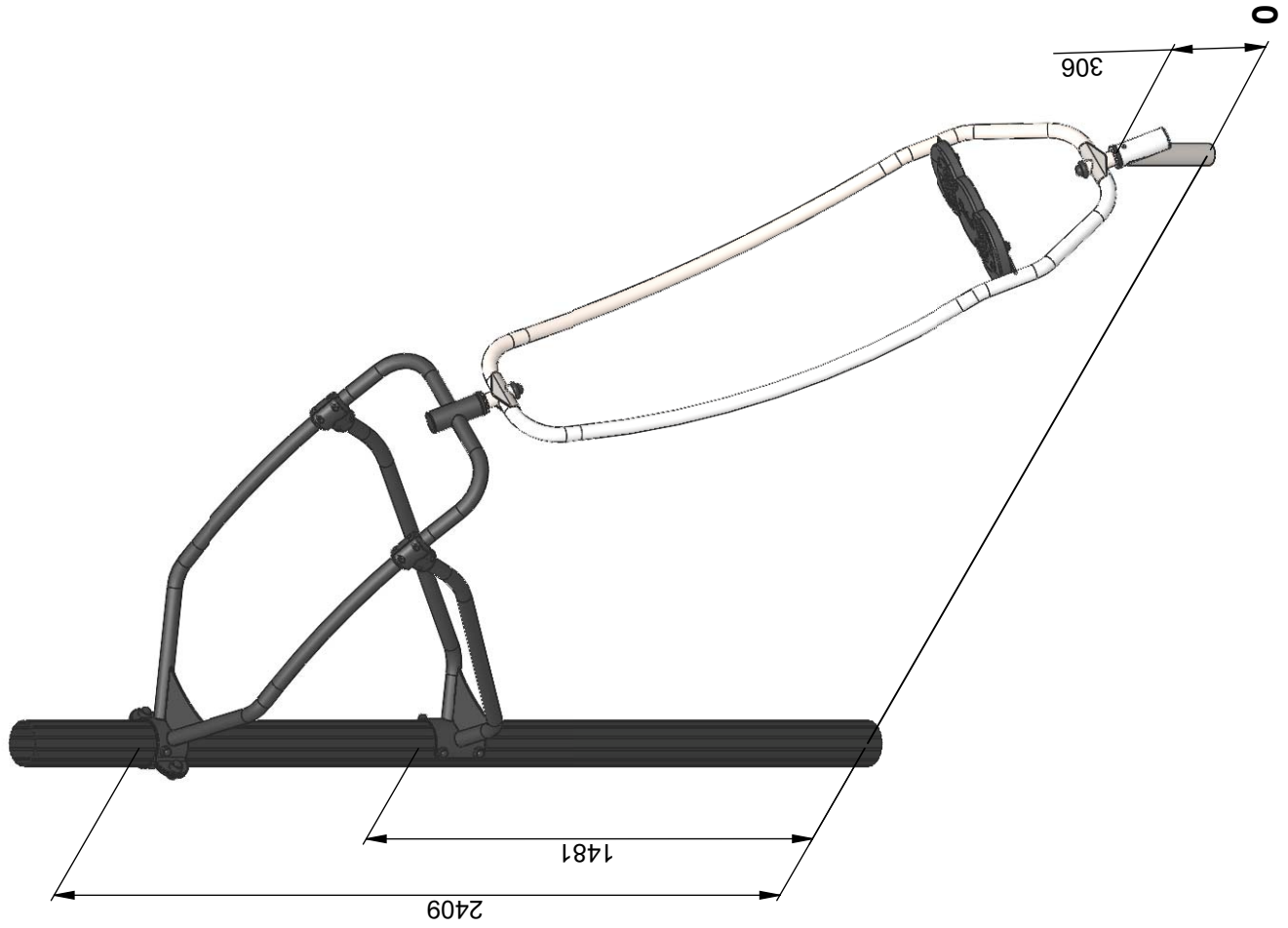


MI2701

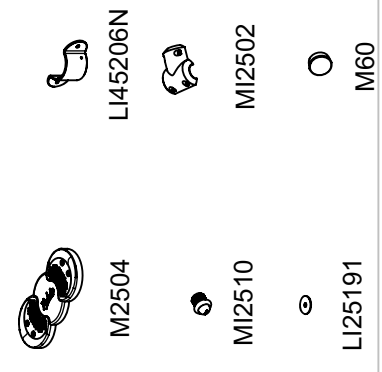


VBT

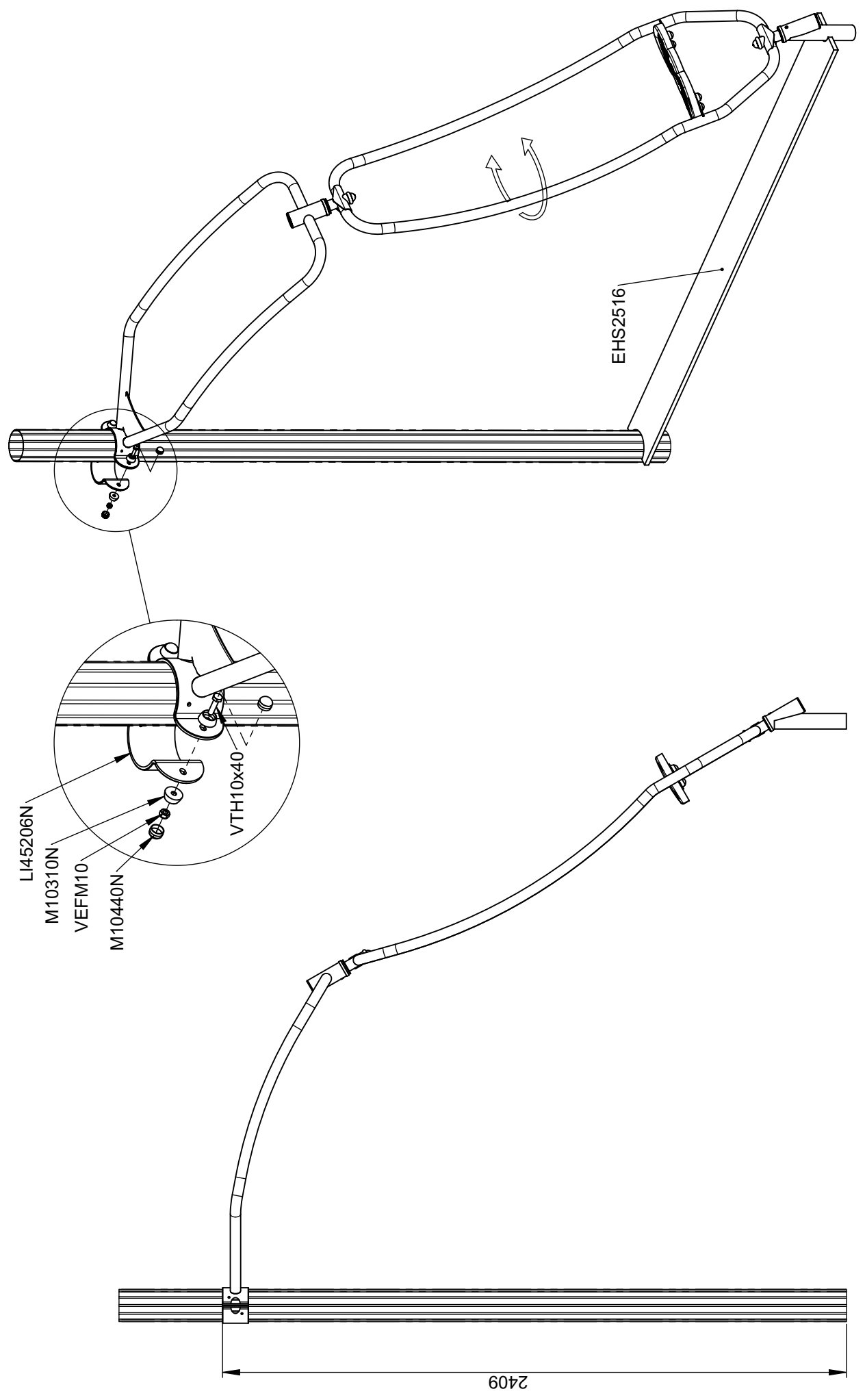


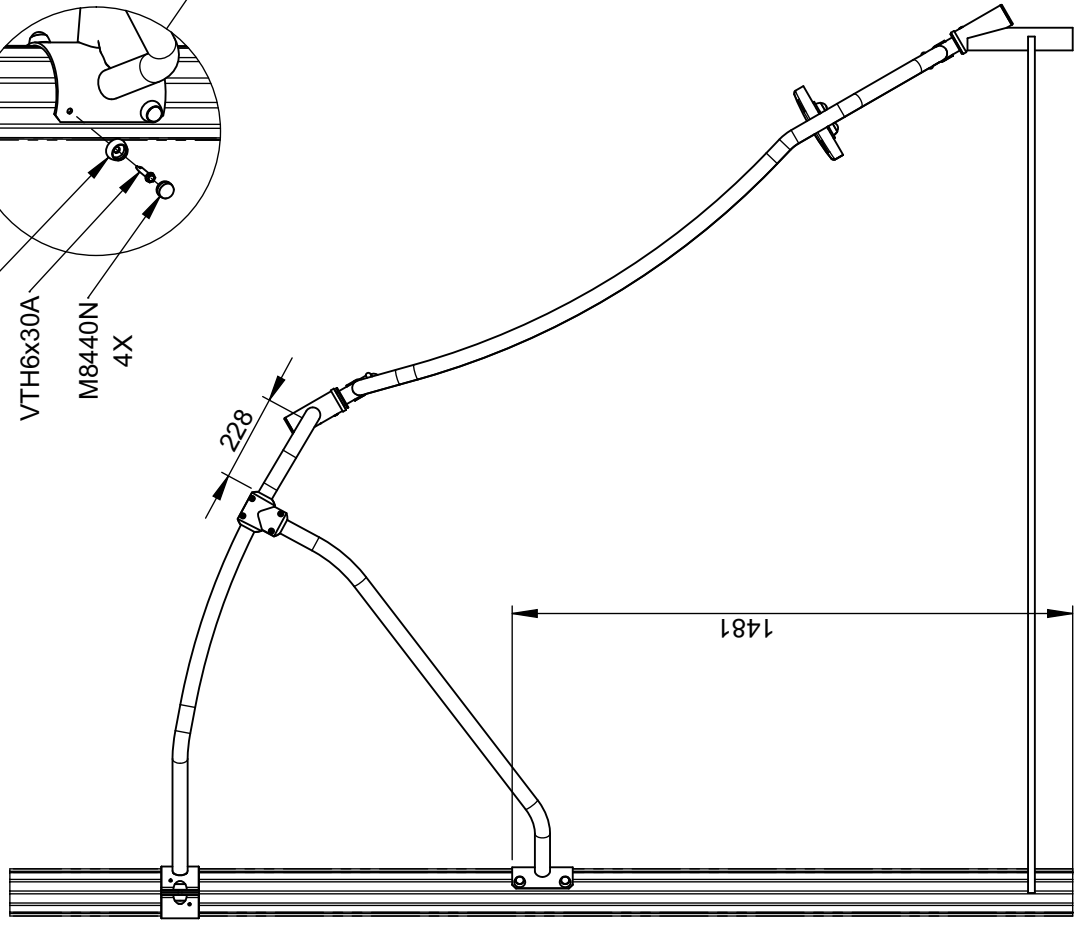
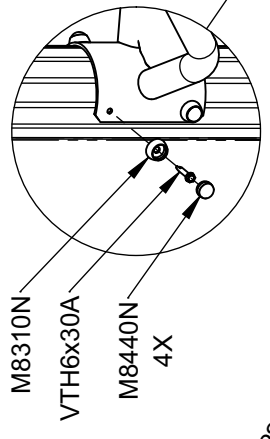
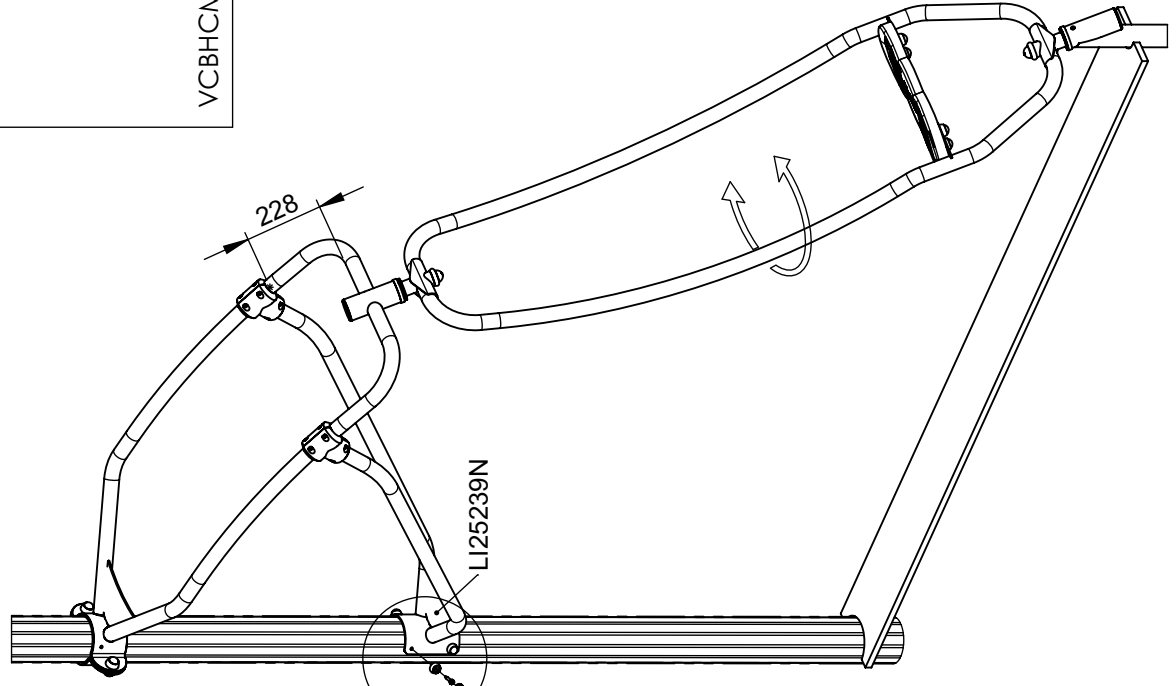
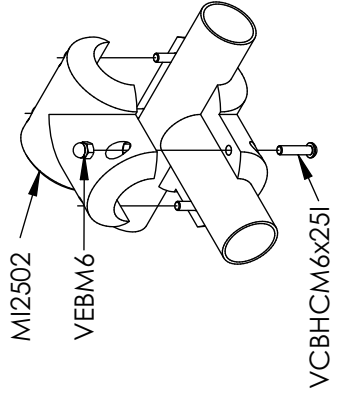


Réf	Qté
EHS2516	1
LI25189	1
LI25191	2
LI25239N	1
LI45206N	1
M60	2
M2504	1
M8310N	8
M8440N	8
M10310N	8
M10440N	8
M12502N	4
M12510N	2
U2501	1
U2548	1
VCBHCM6x25J	8
VEBM6	8
VEFM10	8
VTH6x30A	8
VTH10x40	2
VTRCC10x40	4

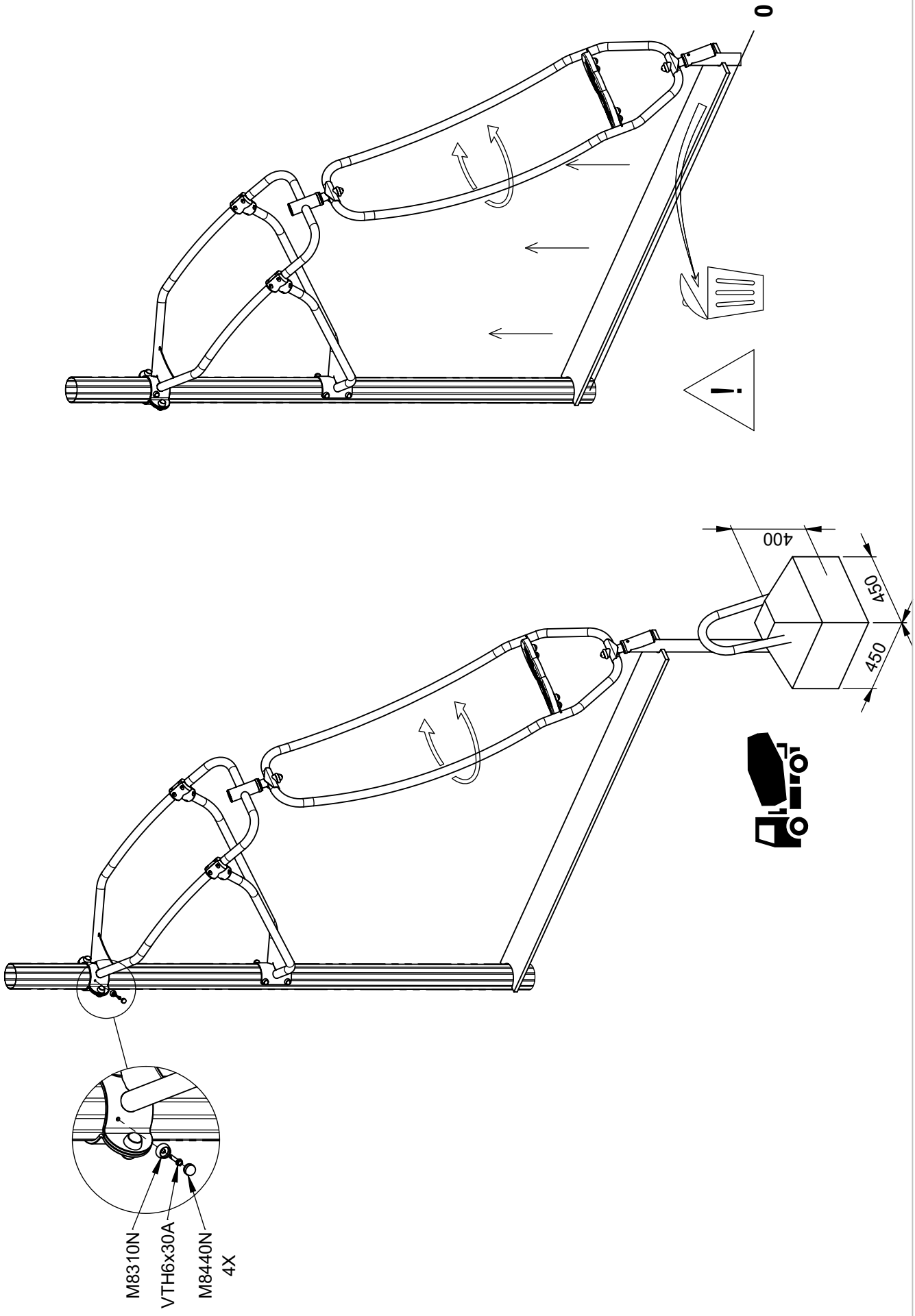


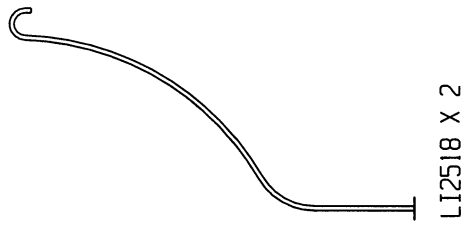
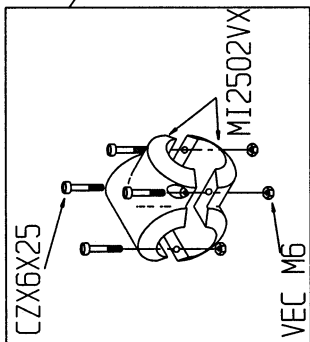




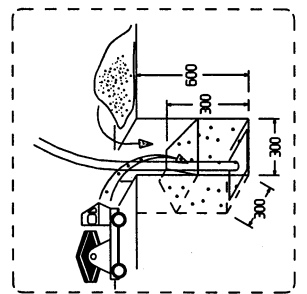
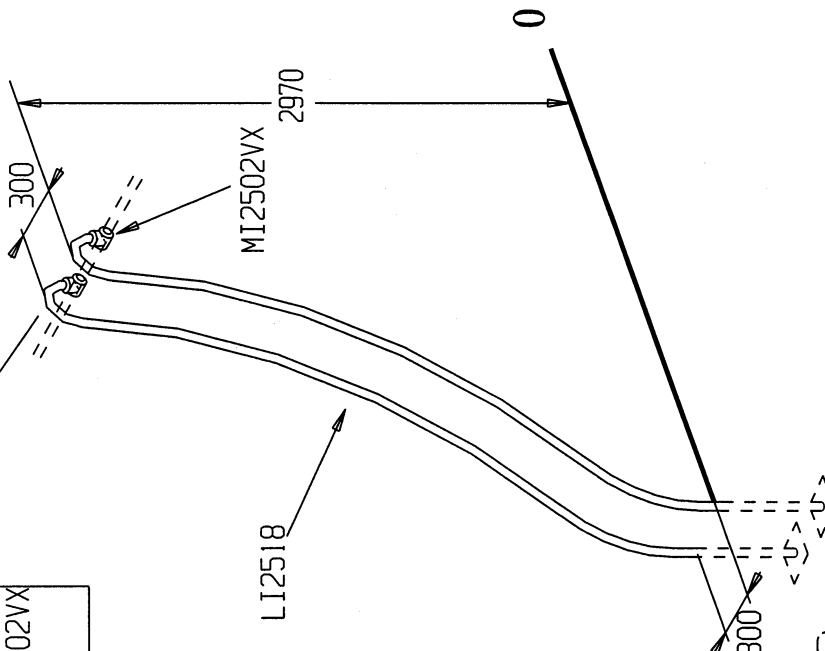






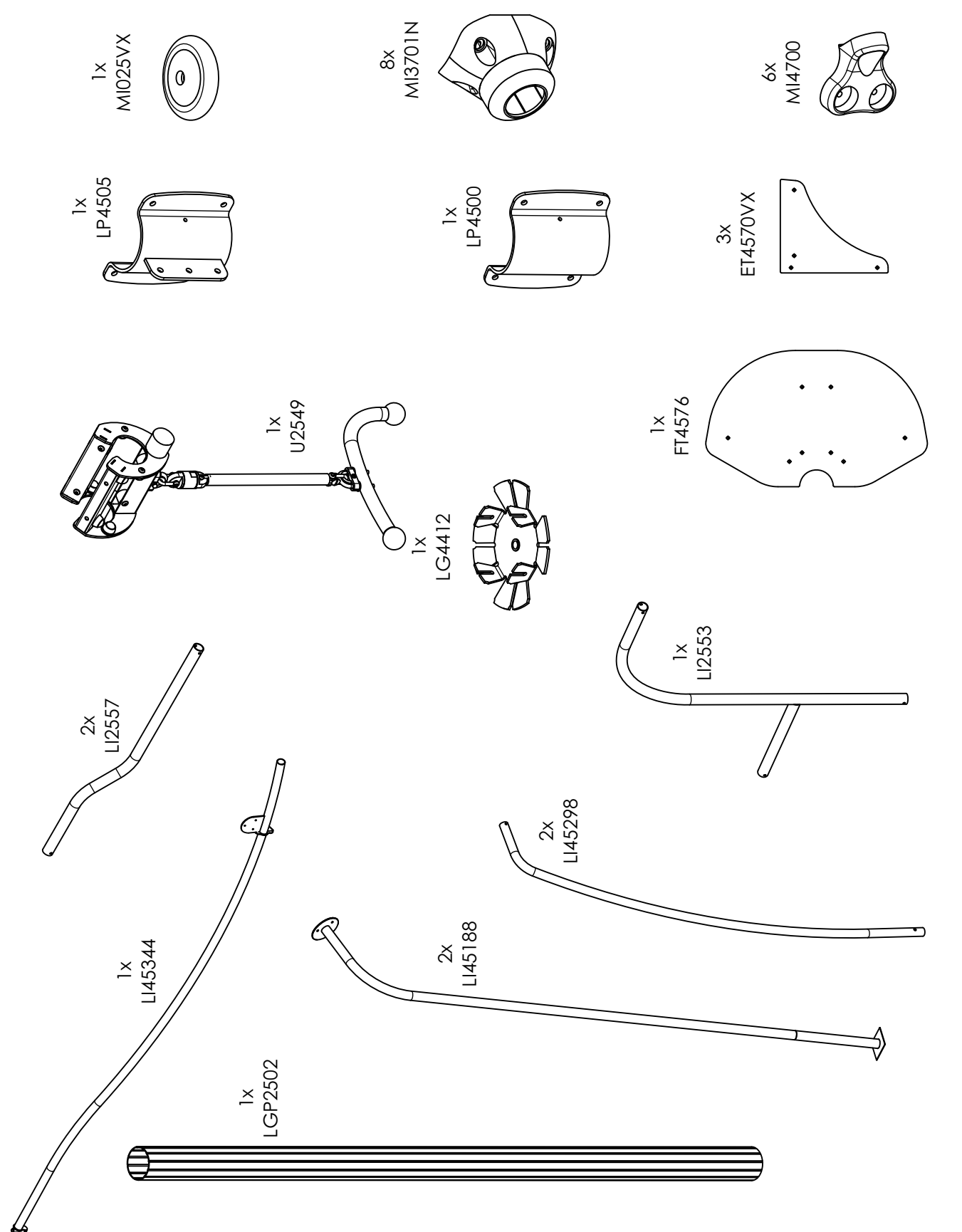


MI2502VX X 4

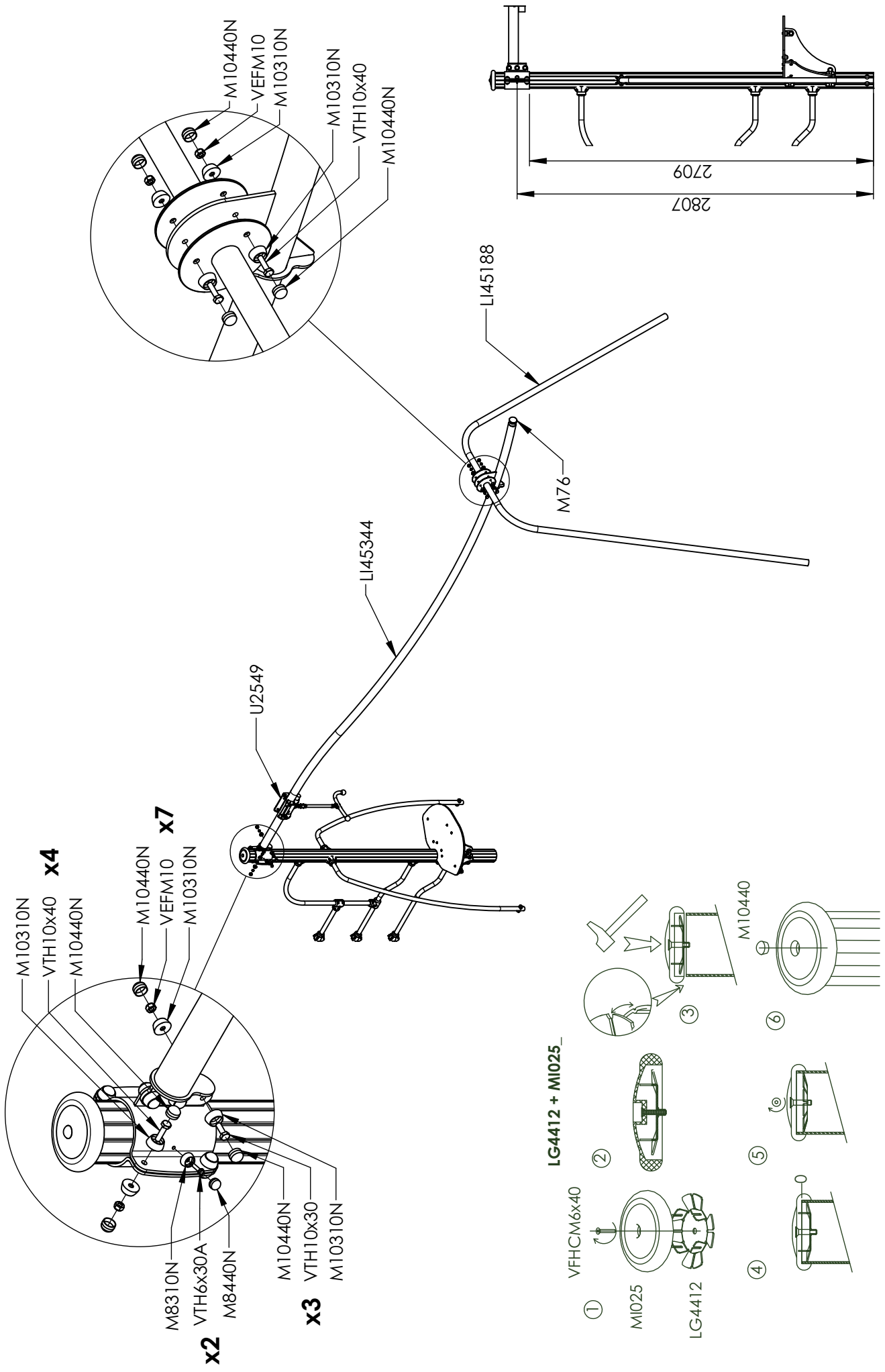


⊗	VEC M6	8
⊗	VCZX 6x25	8

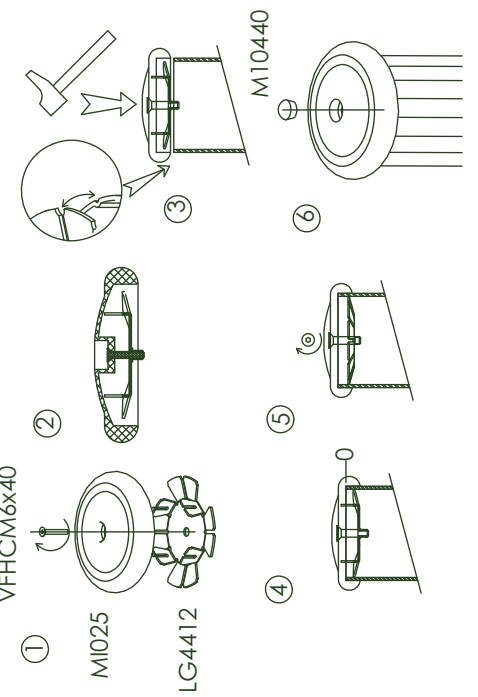
REF	QTE
ET4570VX	3
FT4576	1
LG4412	1
LG4502	2
LGP2502	1
LI2553	1
LI2557	2
LI45188	2
LI45298	2
LI45344	1
LP4500	1
LP4505	1
M76	1
M8310N	2
M8440N	2
M10310N	34
M10440N	57
MI025VX	1
MI2502VX	4
MI2503N	4
MI3701N	8
MI4700	6
P13	8
U2549	1
VCBHC6x25I	8
VCBHC6x25I	8
VEBM6	20
VEFM10	8
VEFM10	32
VFHCM6x40	1
VGC8x55I	9
VTH6x30A	46
VTH10x30	3
VTH10x40	7
VTH10x60	2

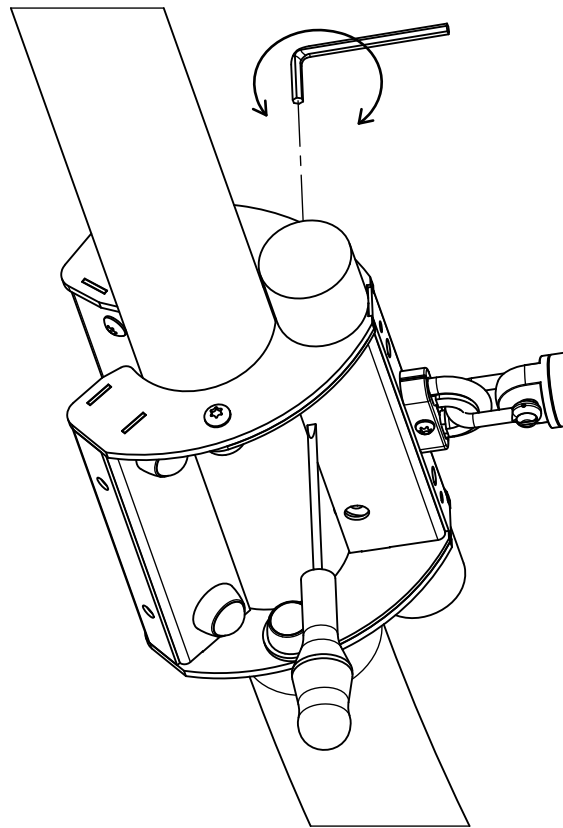
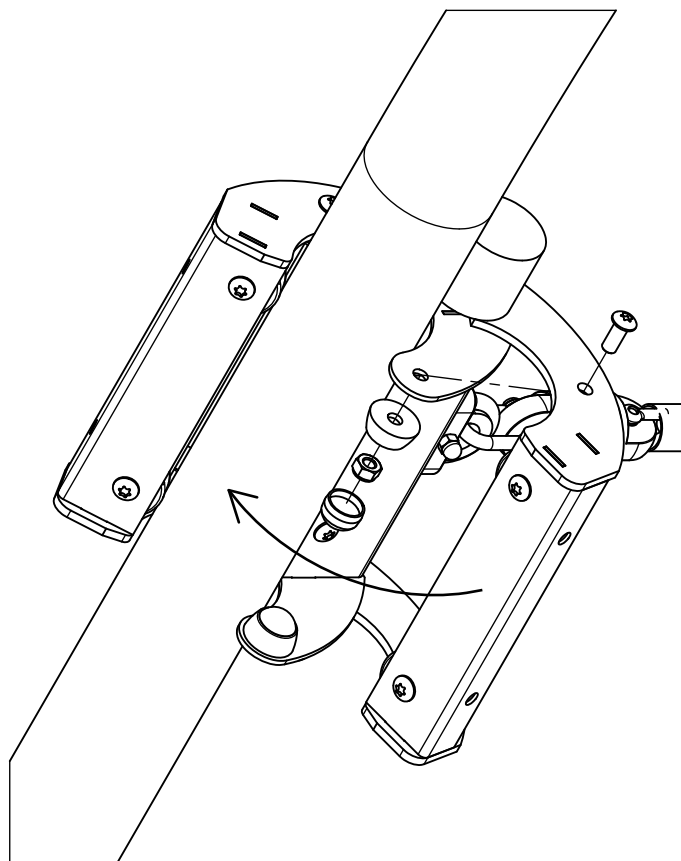






**LG4412 + MI025\_**



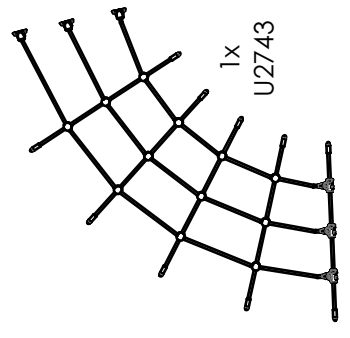
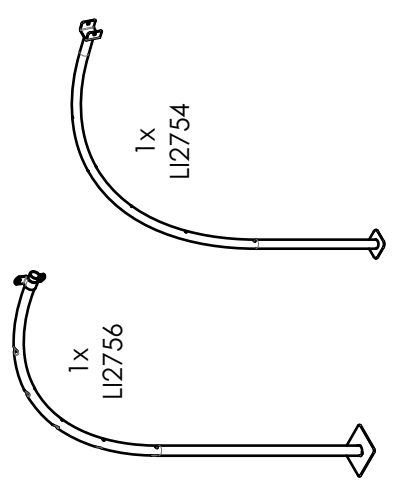
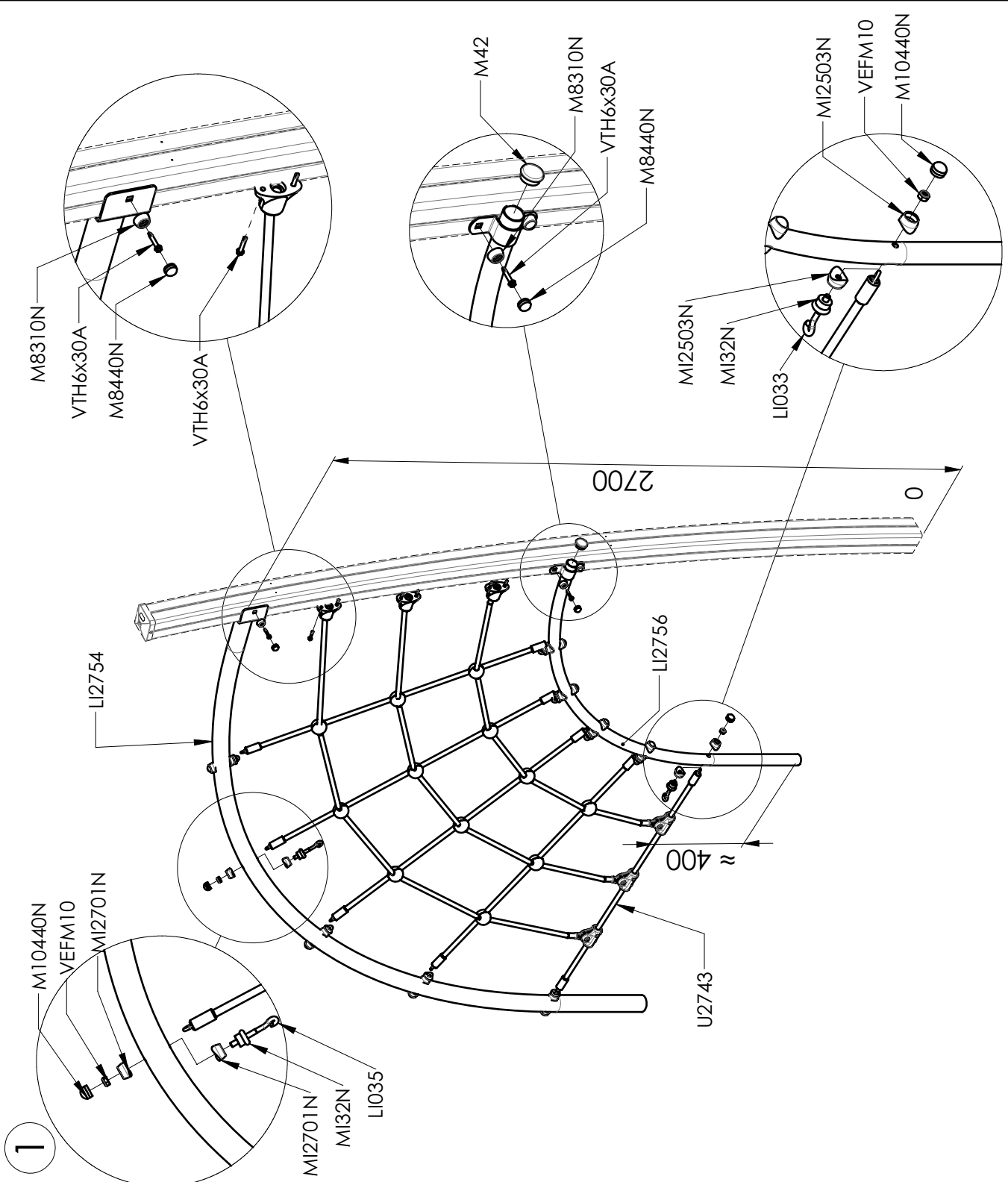


# G5676A

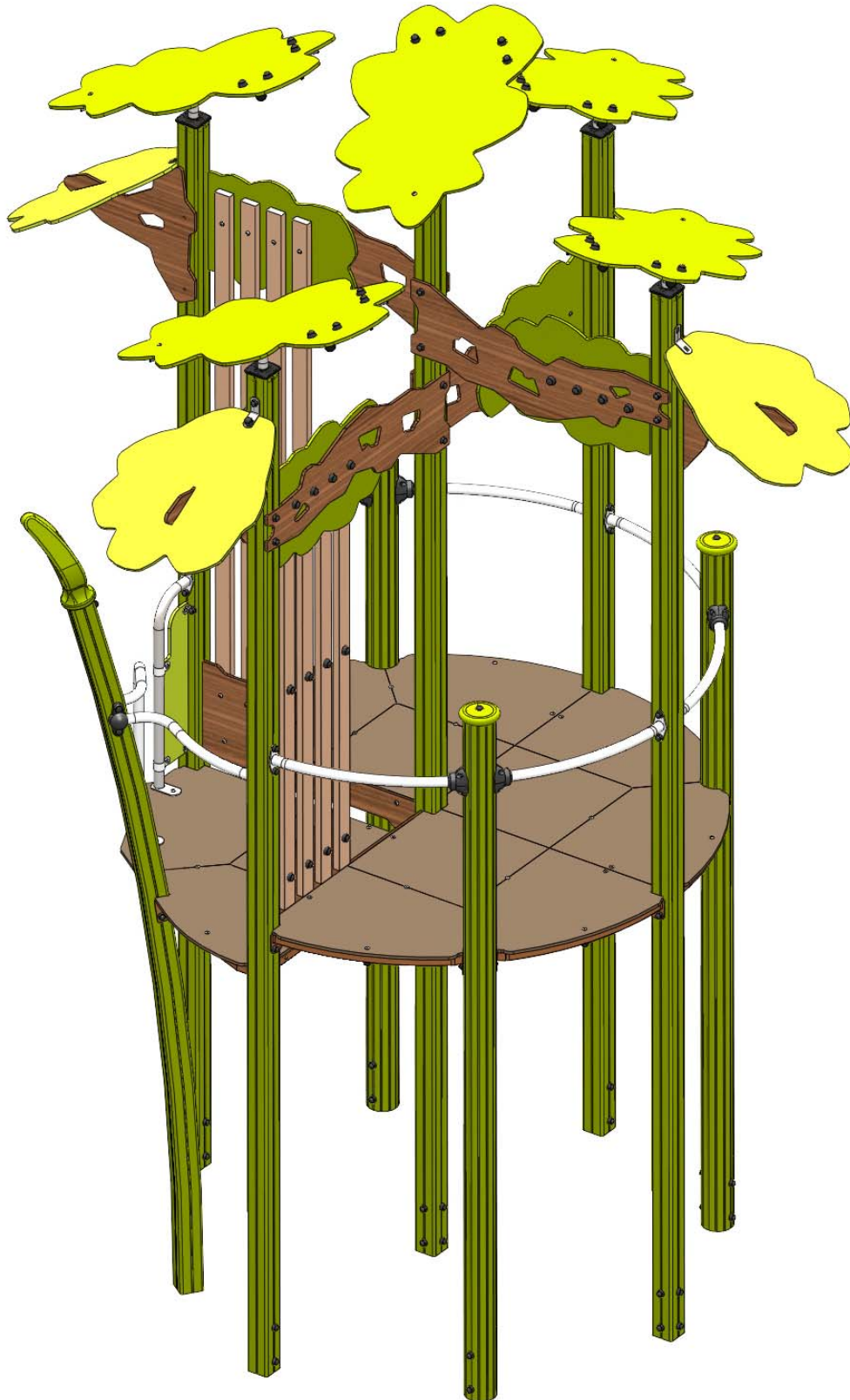
1/1

17/12/2017

*Proteclic*



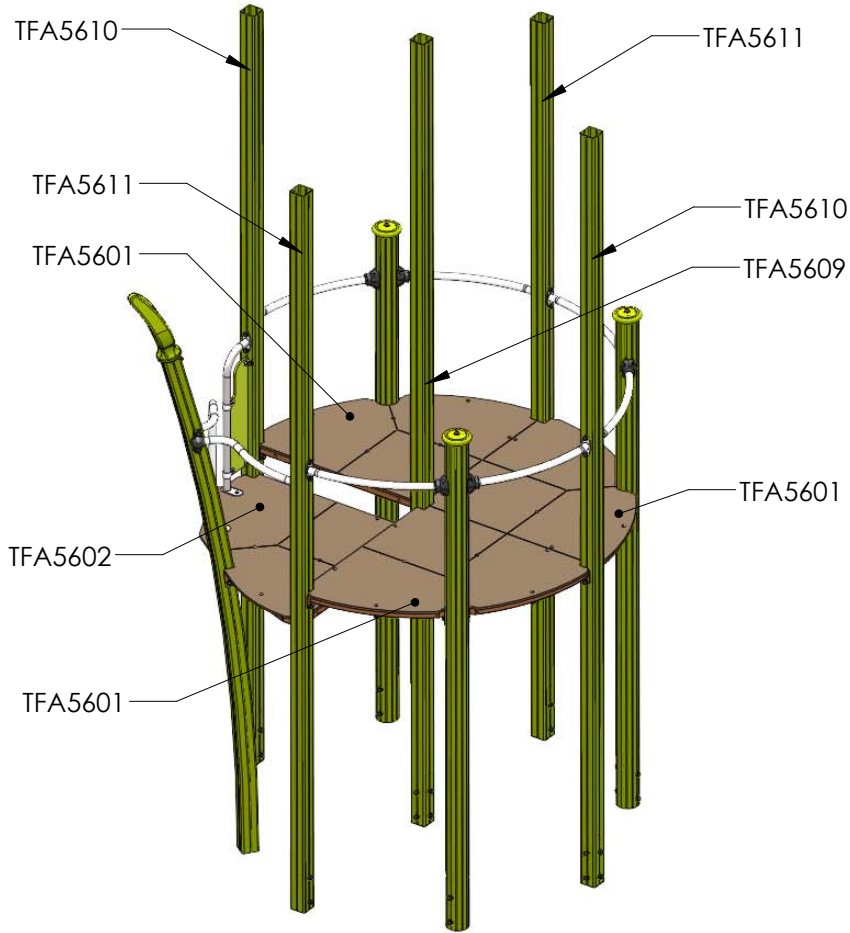
LI033	5
LI035	5
LI2754	1
LI2756	1
M42	1
M8310N	4
M8440N	4
M10440N	10
MI32N	10
MI2503N	10
MI2701N	10
U2743	1
VEFM10	10
VTH6x30A	10



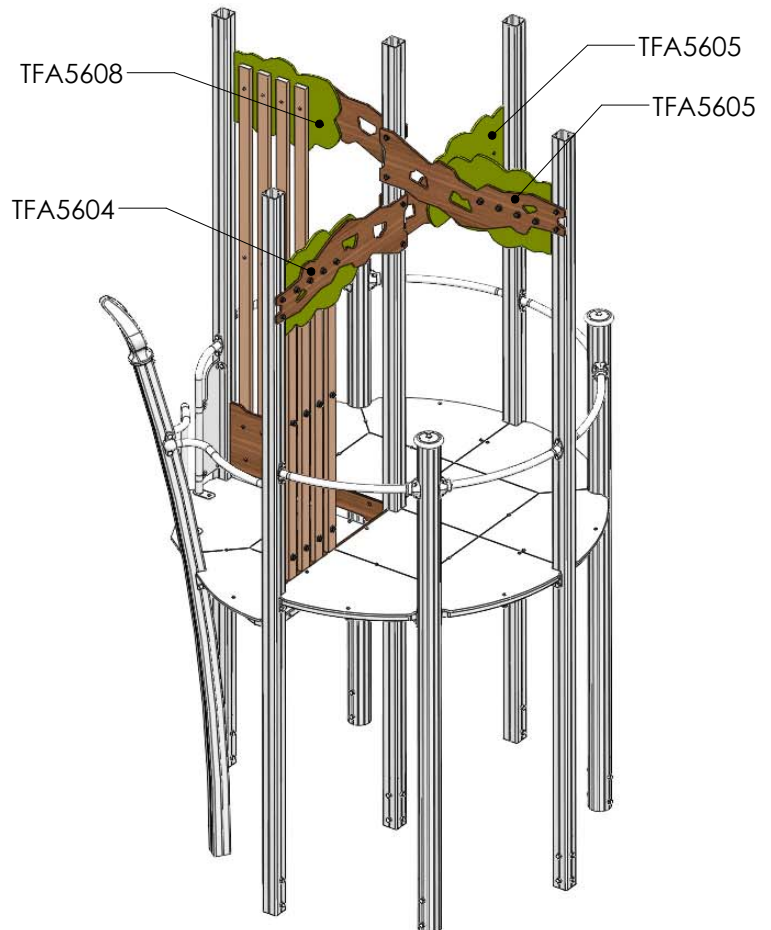
TFA5601	3
TFA5602	1
TFA5604	1
TFA5605	2
TFA5606	5
TFA5607	3
TFA5608	1
TFA5609	1
TFA5610	2
TFA5611	2



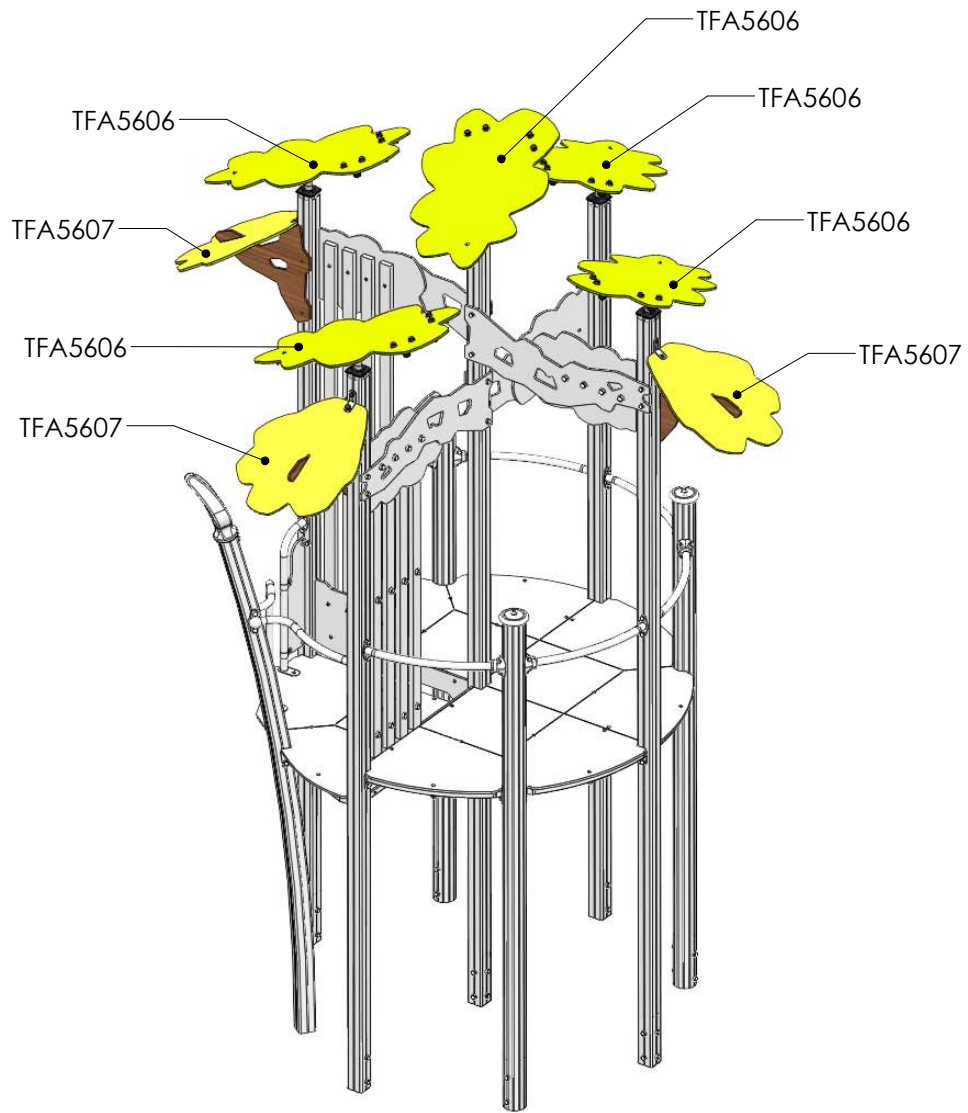
1



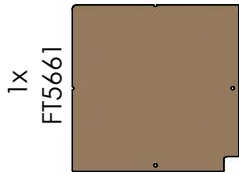
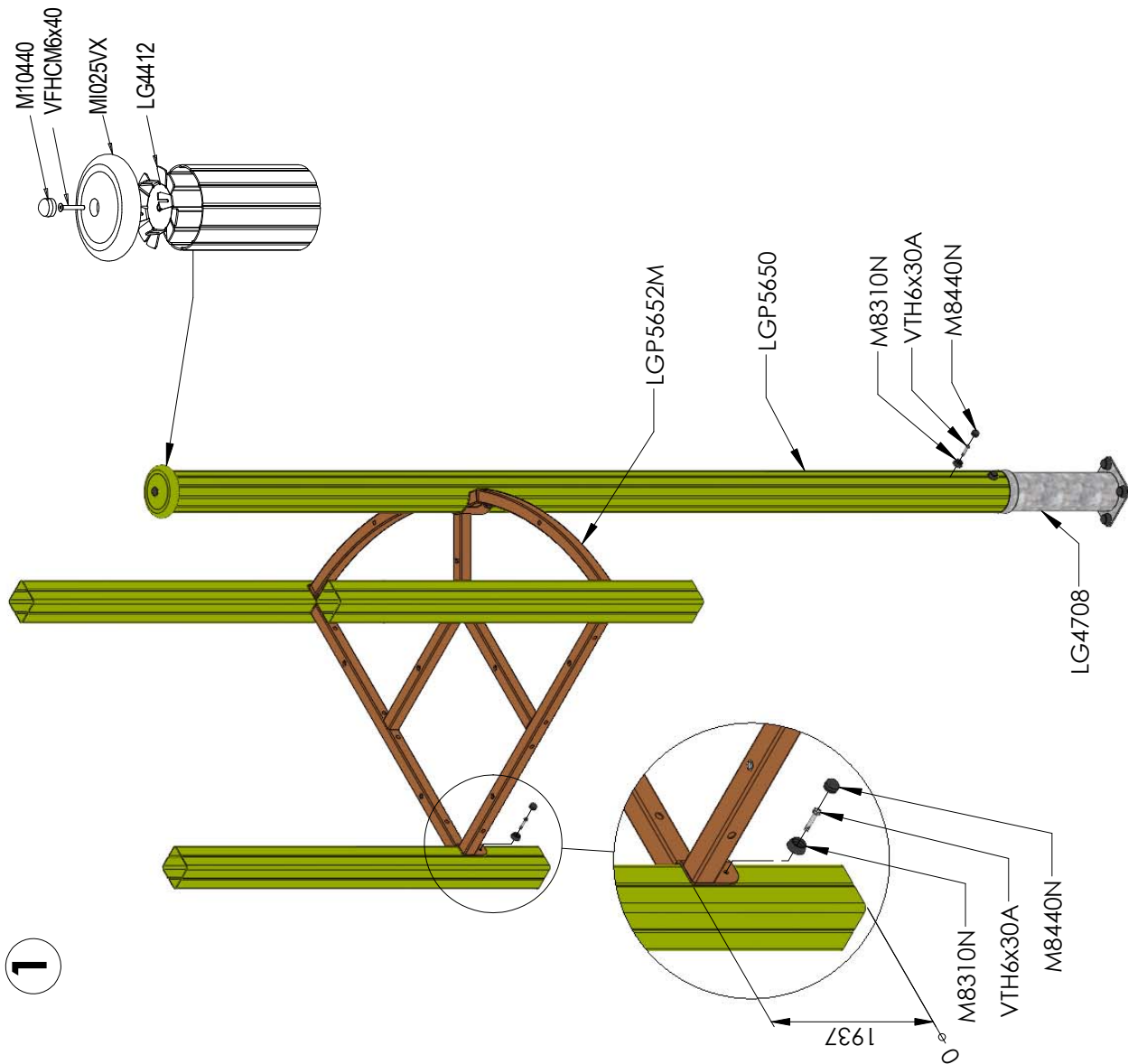
2



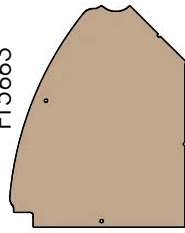
3



1



1x FT5661



2x FT5663



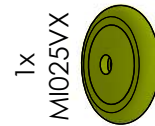
1x LGP5650



2x LI5661



2x MI3701



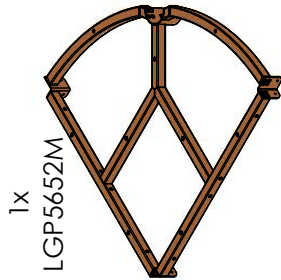
1x MI025VX



1x LG4708



1x LG4412

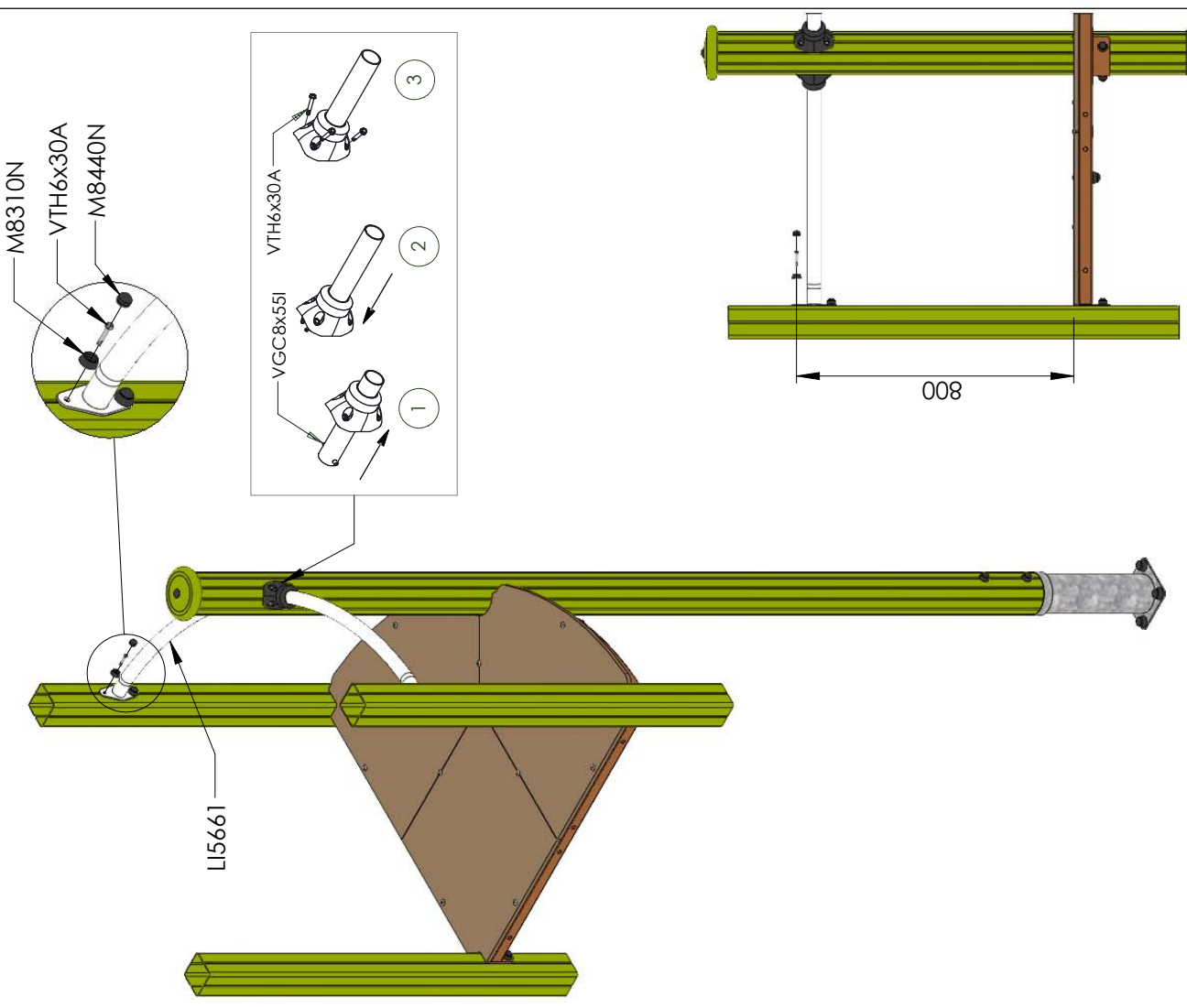
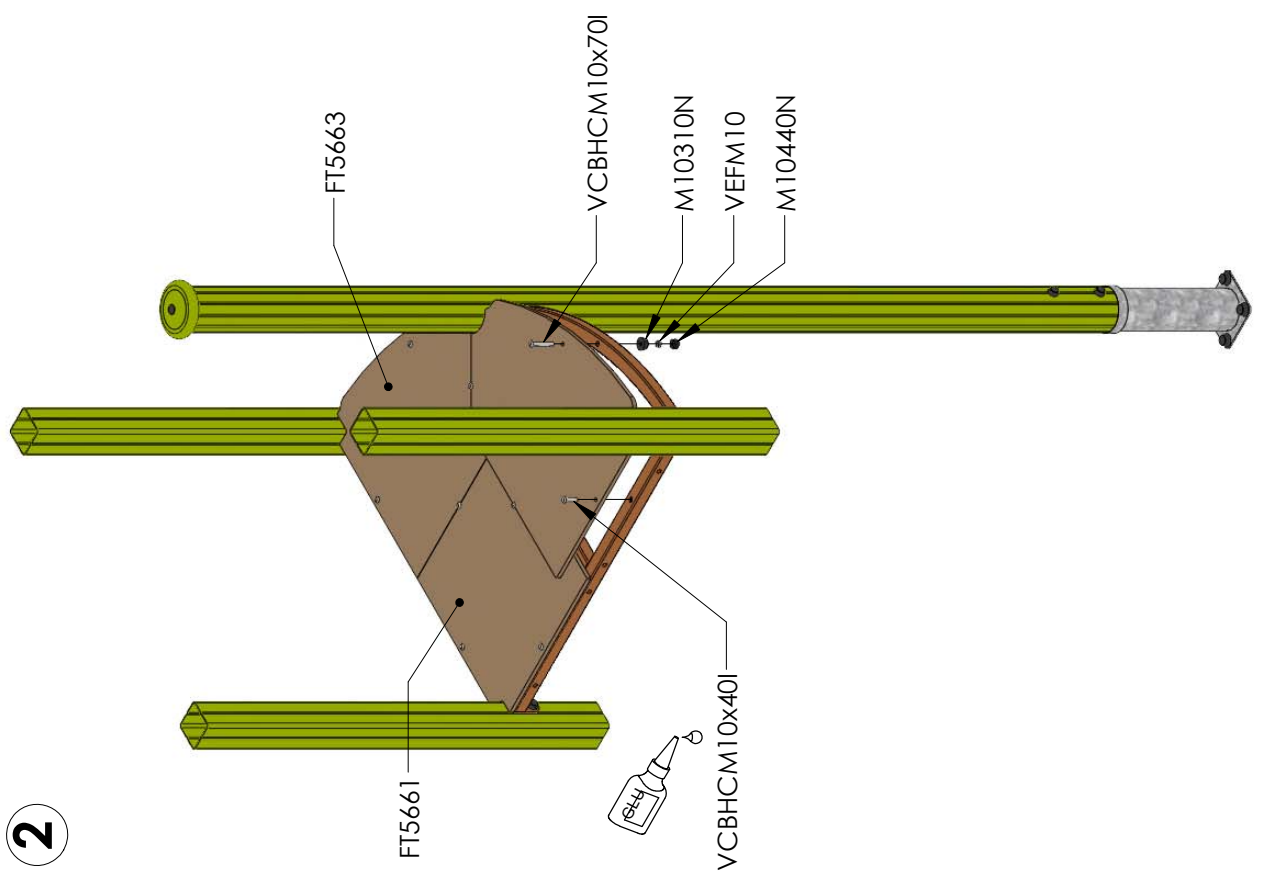


1x LGP5652M

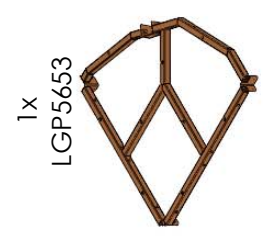
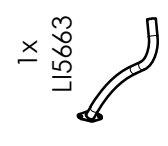
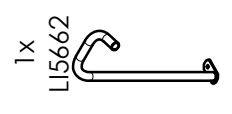
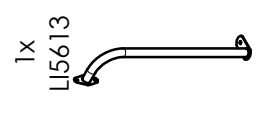
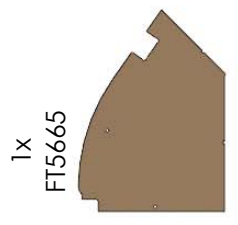
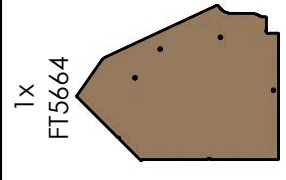
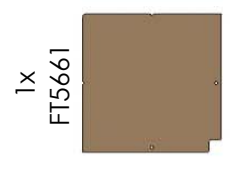
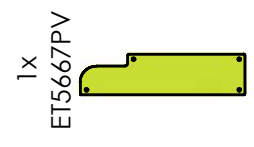
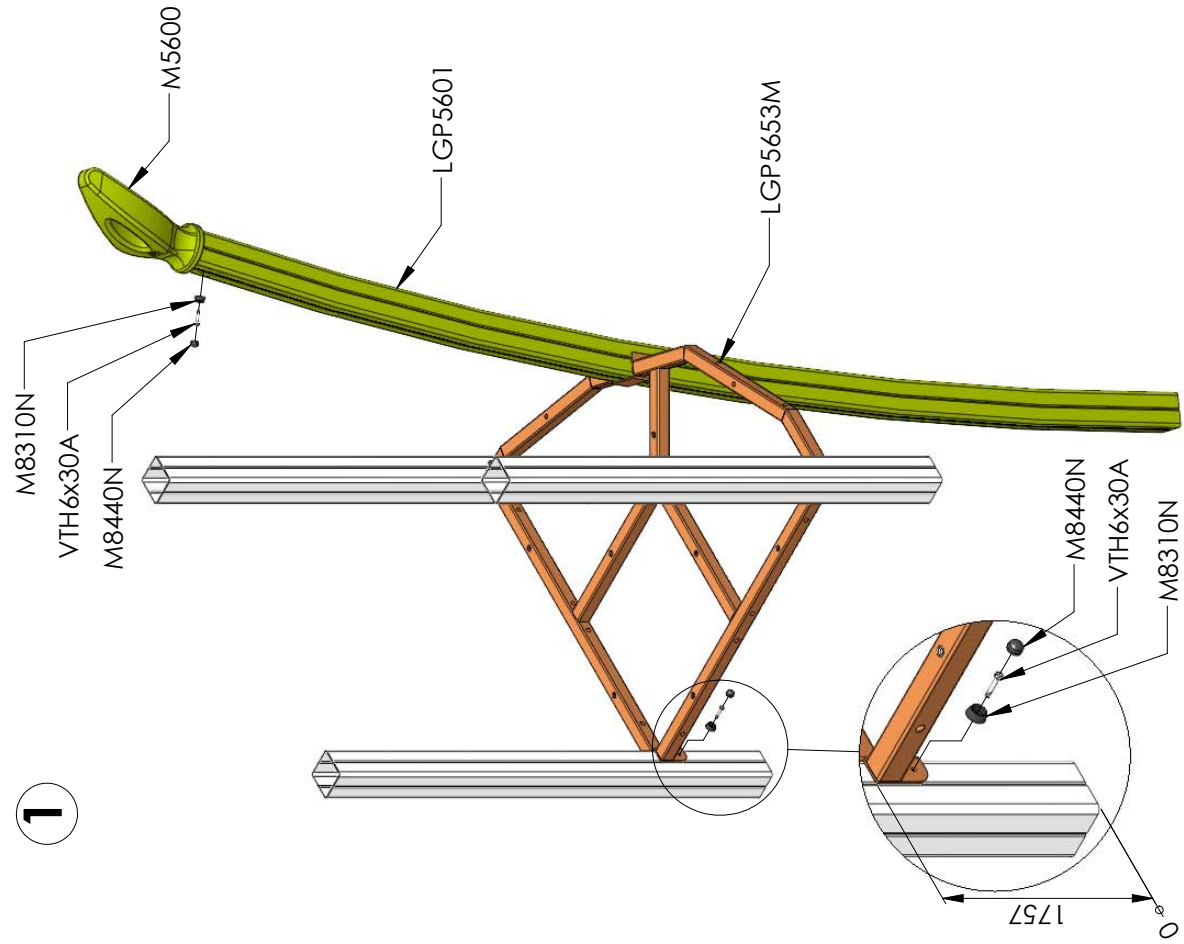
FT5661	1
FT5663	2
LG4412	1
LG4708	1
LGP5650	1
LGP5652M	1
LI5661	2
M8310N	16
M8440N	16
M10310N	6
M10440N	7
MI025VX	1
MI3701	2
RD14M10	4
VCBHCM10x40I	7
VCBHCM10x70I	2
VEFM10	2
VFHCM6x40	1
VGC8x55I	2
VTH6x30A	24

2

3

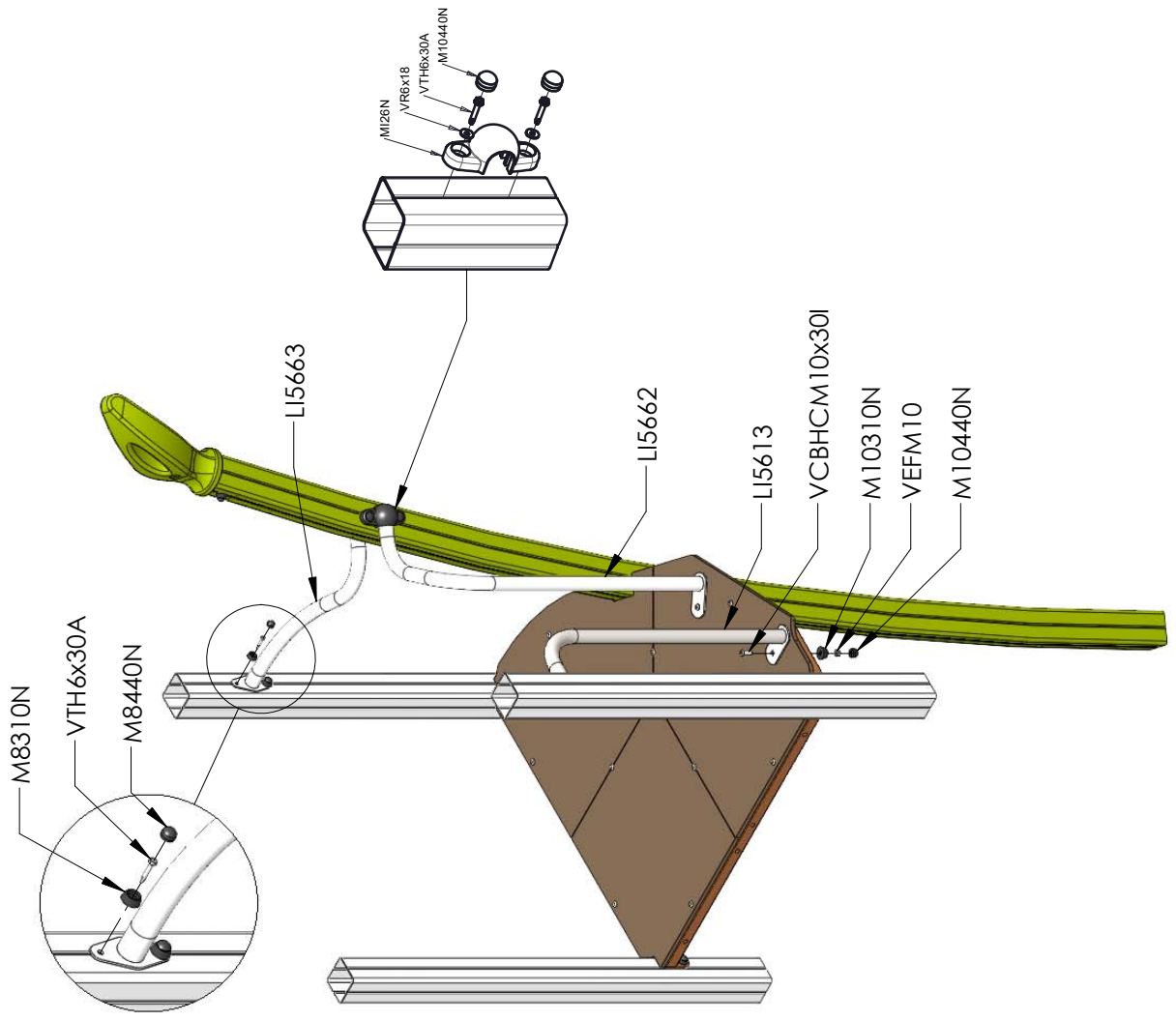


1

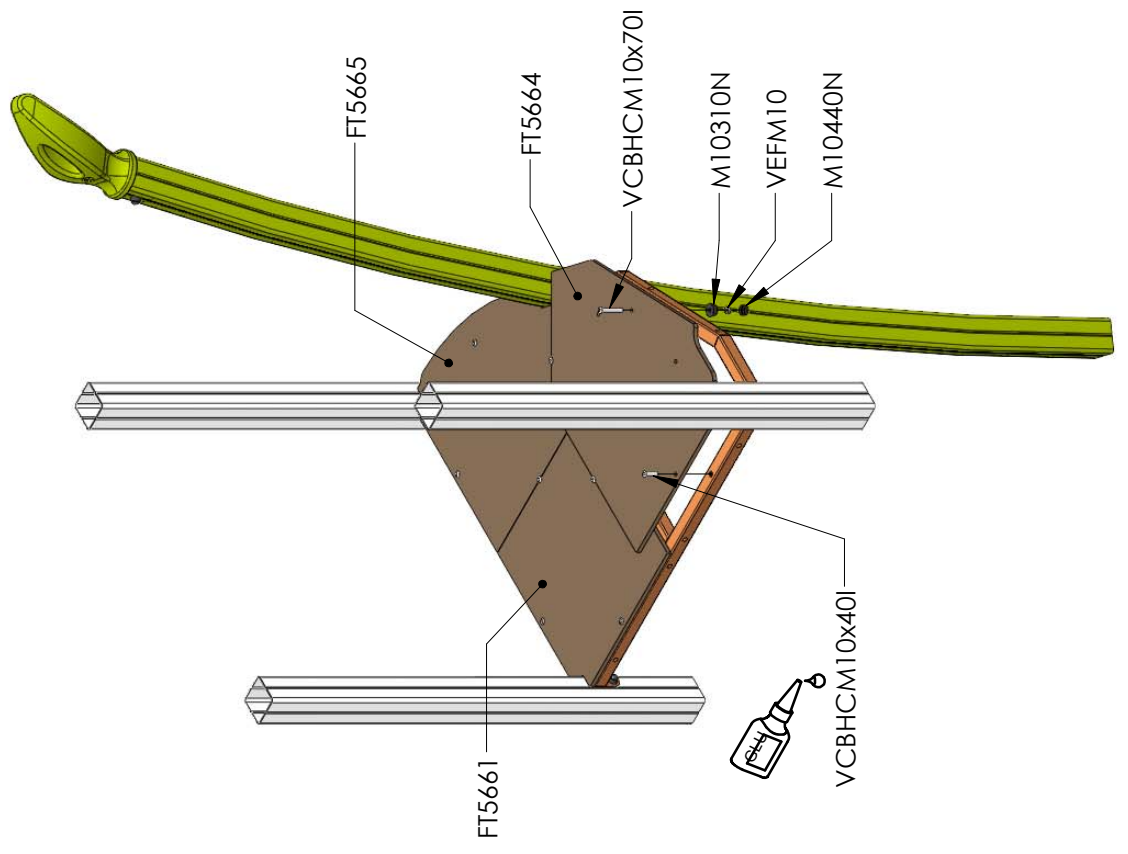


ET5667PV	1
FT5661	1
FT5664	1
FT5665	1
LGP5601	1
LGP5653M	1
LI4505	2
LI5613	1
LI5662	1
LI5663	1
M5600	1
M8310N	15
M8440N	15
M10310N	8
M10440N	12
MI26N	2
P25	2
VCBHC M10x30I	6
VCBHC M10x40I	7
VCBHC M10x70I	2
VEFM10	8
VR6x18	4
VTH6x30A	19

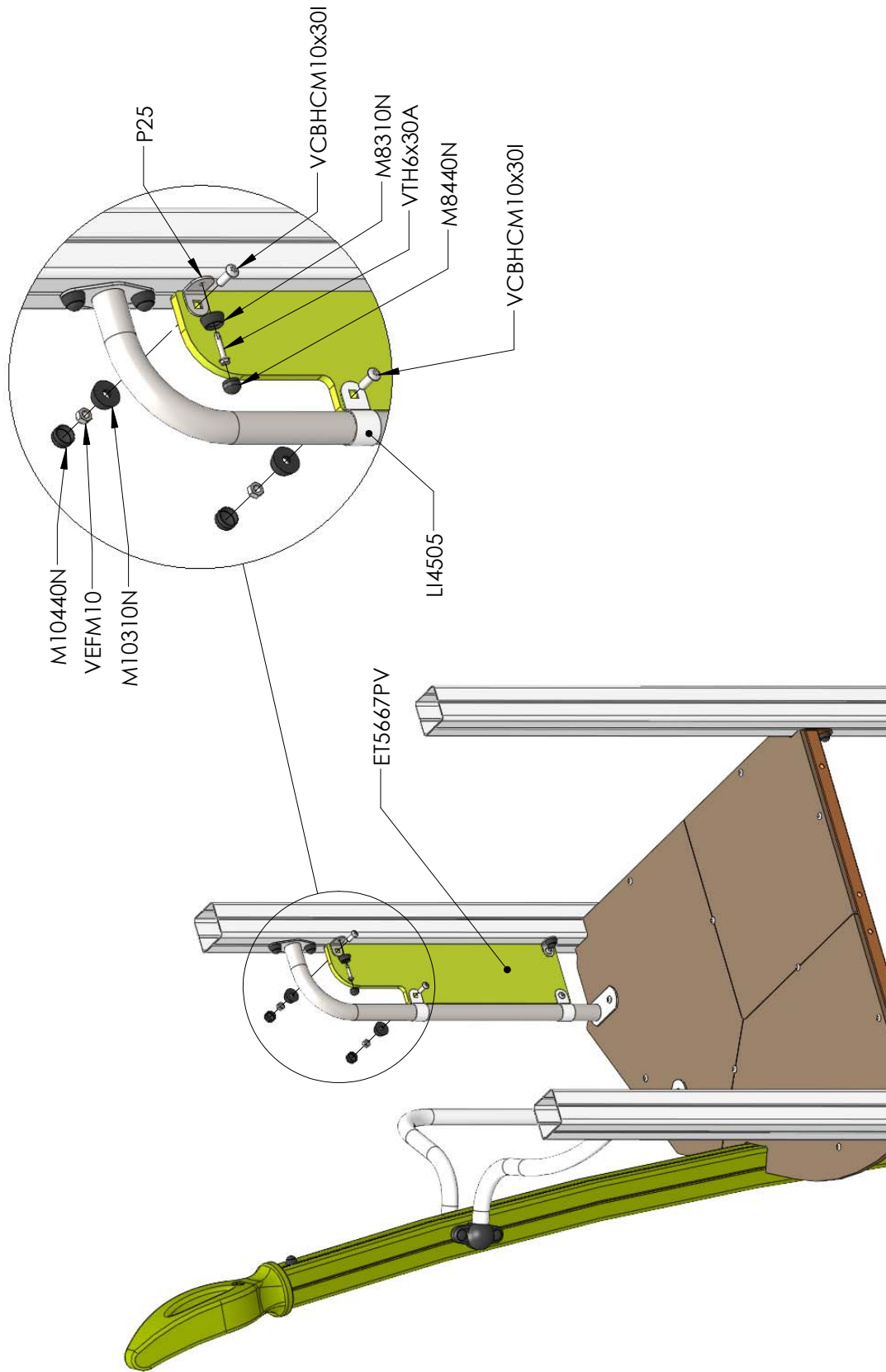
3

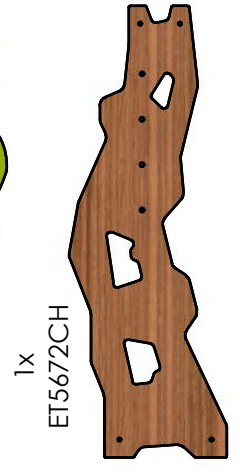
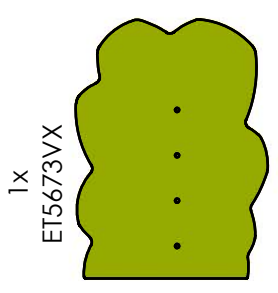
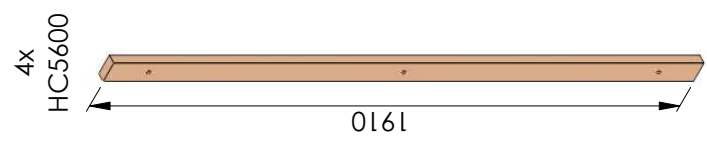
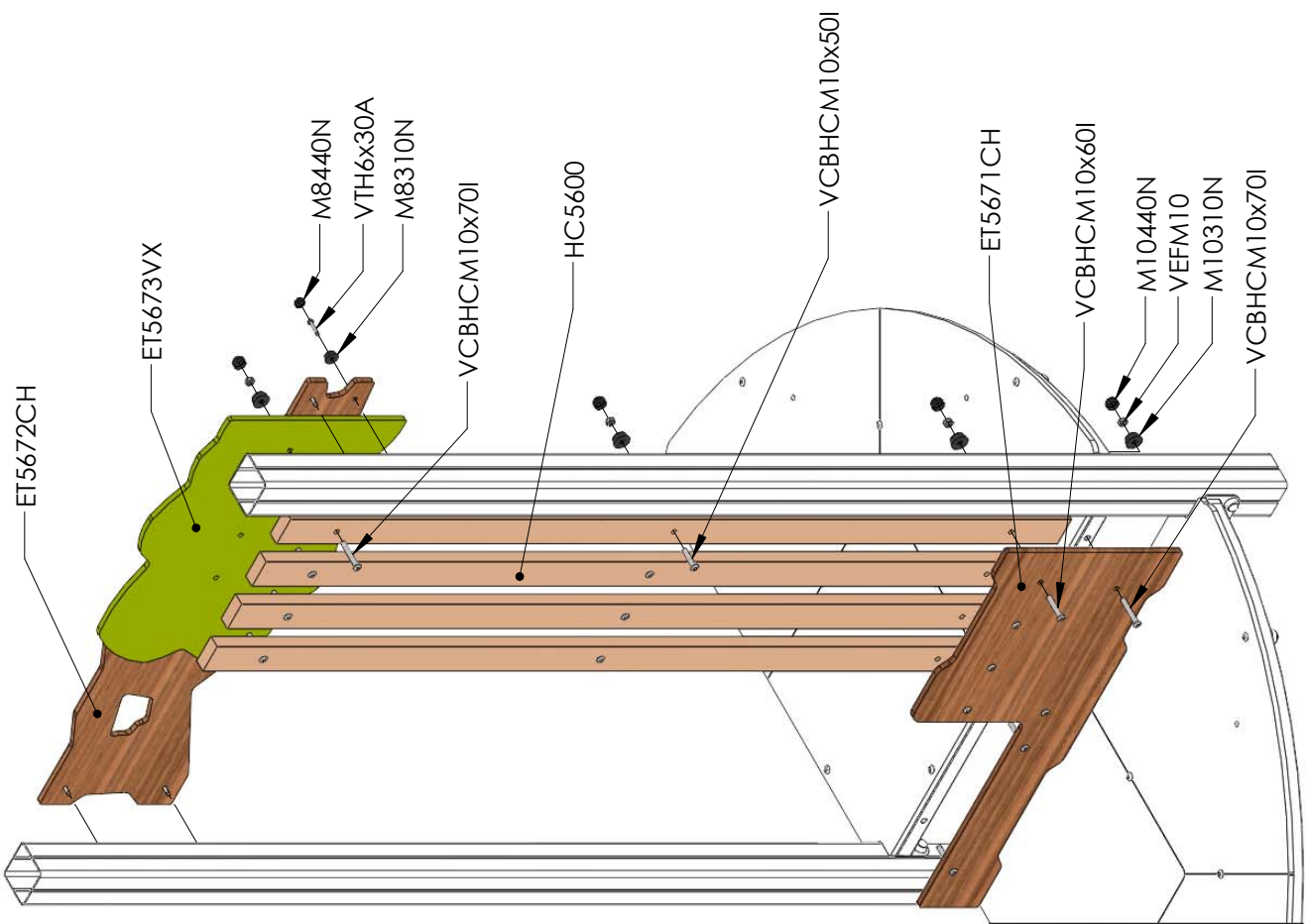


2



4

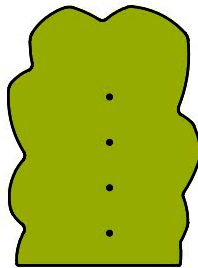




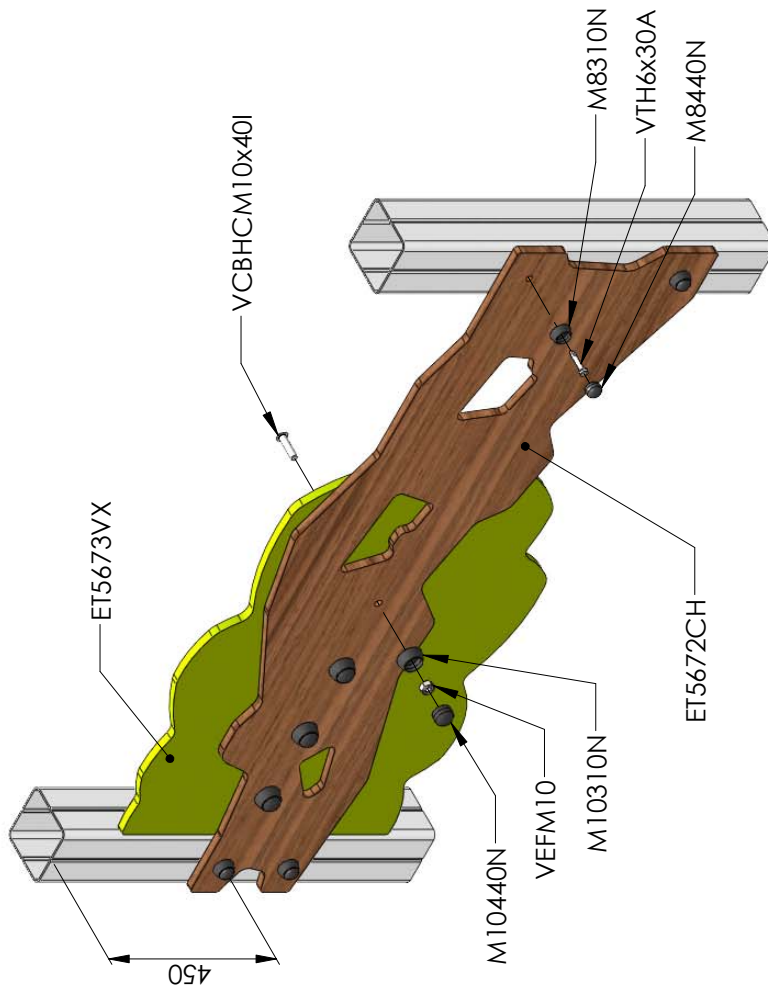
ET5671CH	1
ET5672CH	1
ET5673VX	1
HC5600	4
M8310N	4
M8440N	4
M10310N	16
M10440N	16
VCBHCM10x50I	4
VCBHCM10x60I	4
VCBHCM10x70I	8
VEFM10	16
VTH6x30A	4



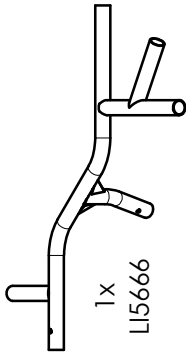
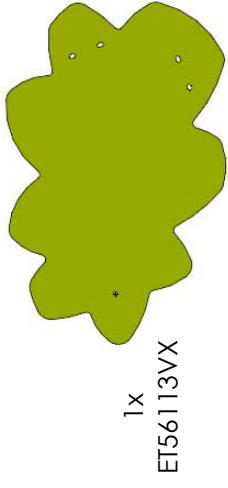
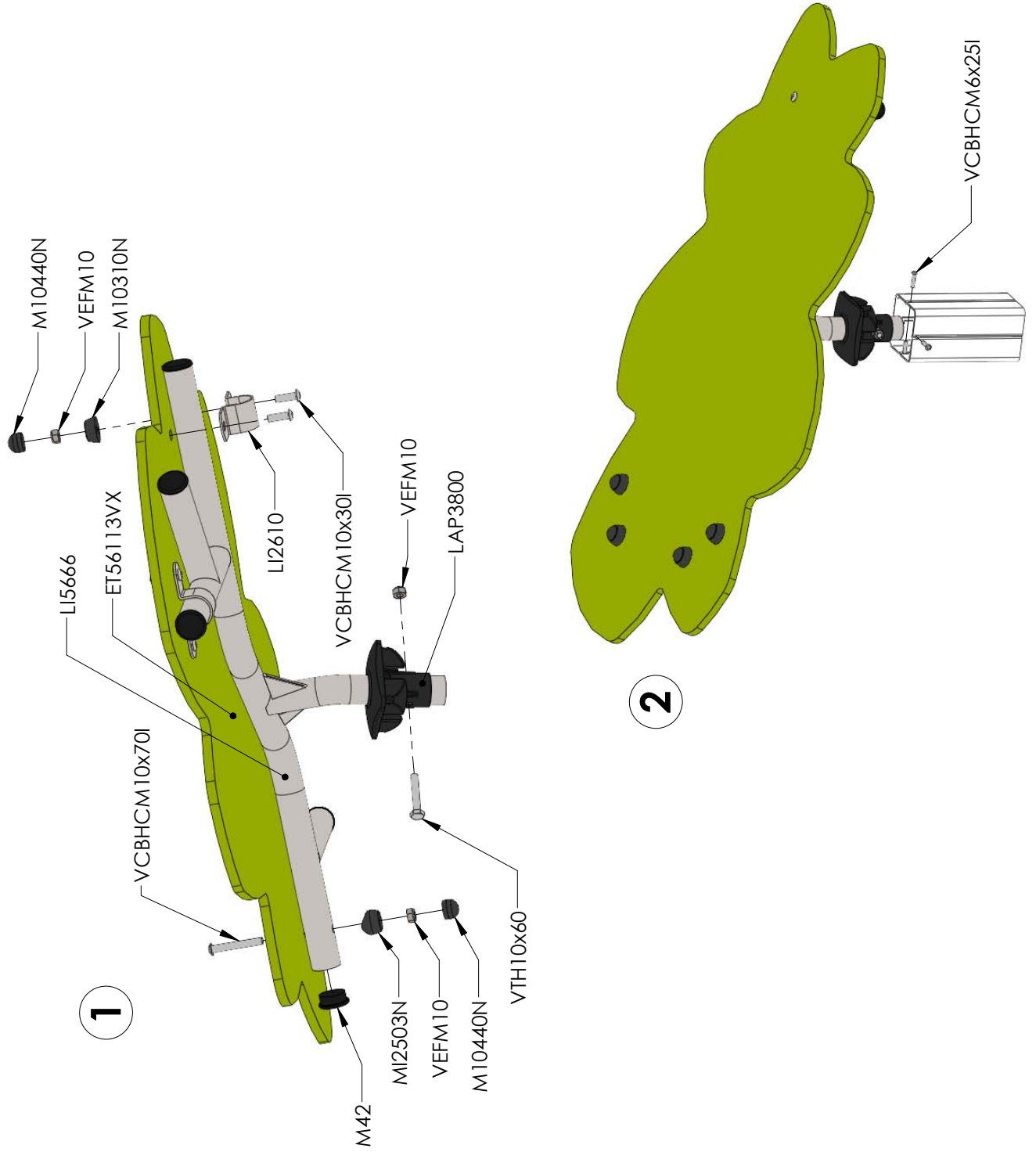
1x  
ET5673VX

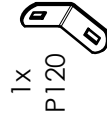
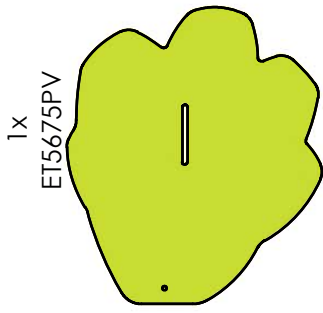
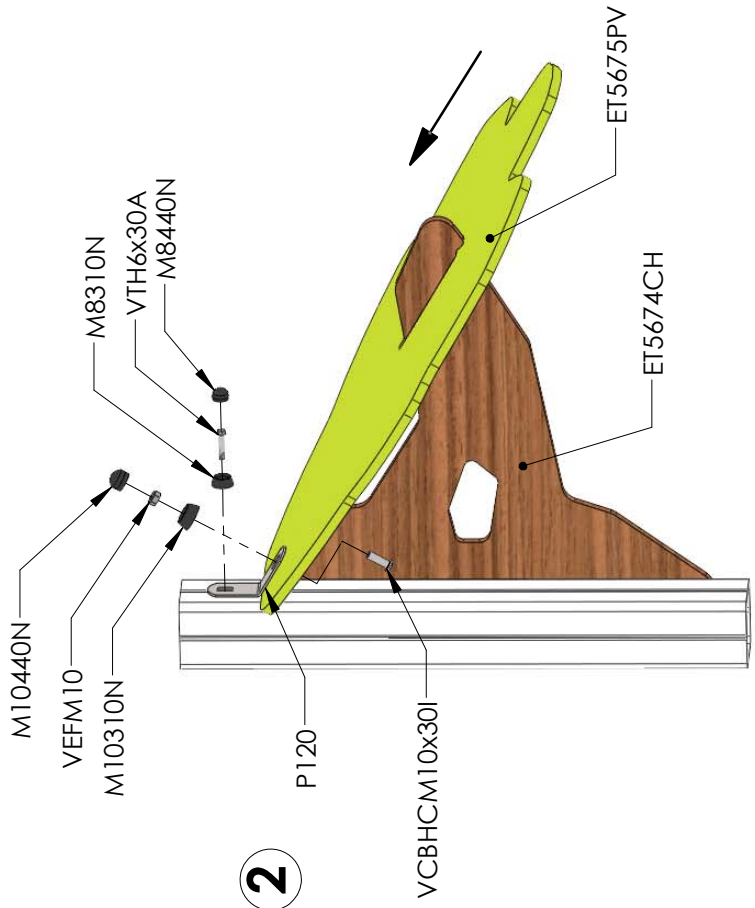
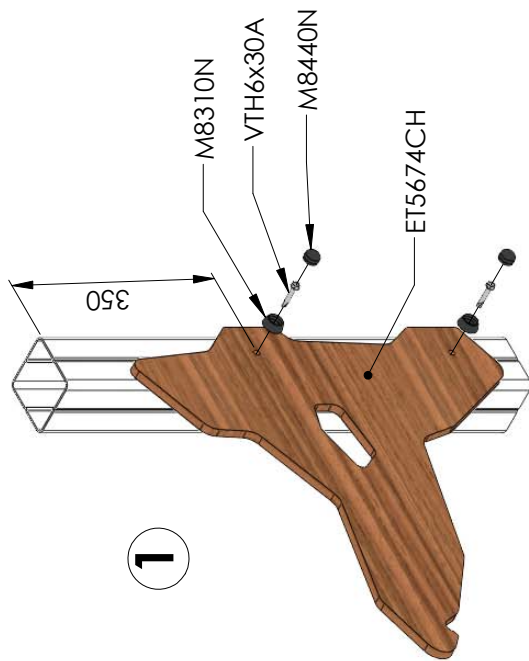


1x  
ET5672CH

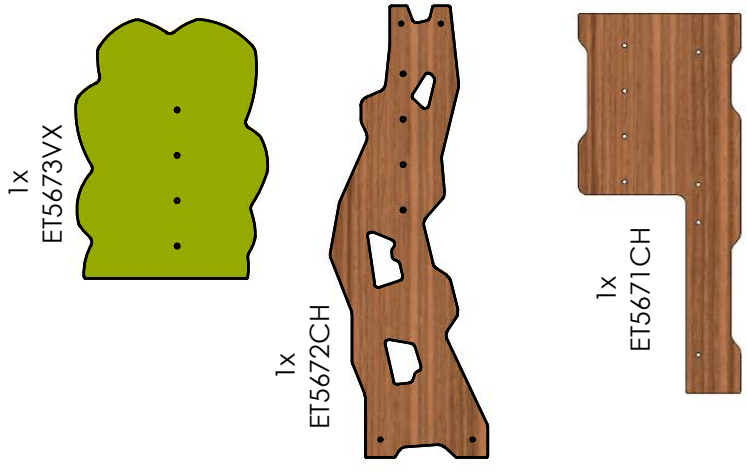
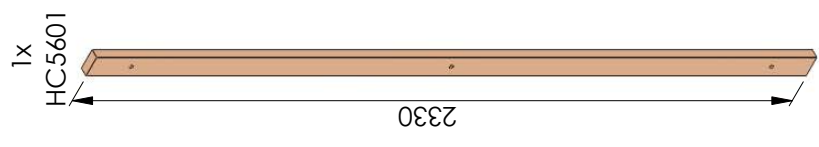
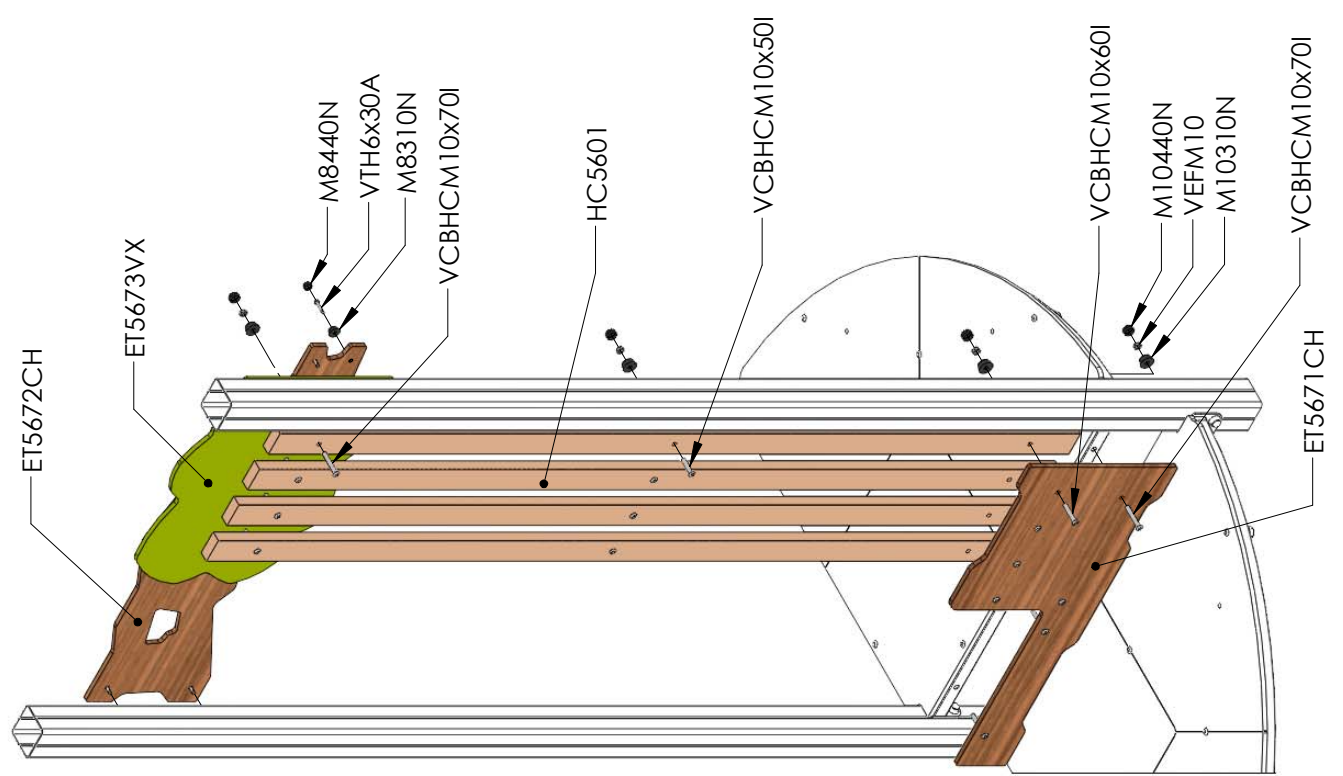


Réf	Qté
ET5672CH	1
ET5673VX	1
M8310N	4
M8440N	4
M10310N	4
M10440N	4
VCBHCM10x40I	4
VEFM10	4
VTH6x30A	4

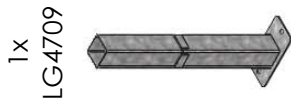
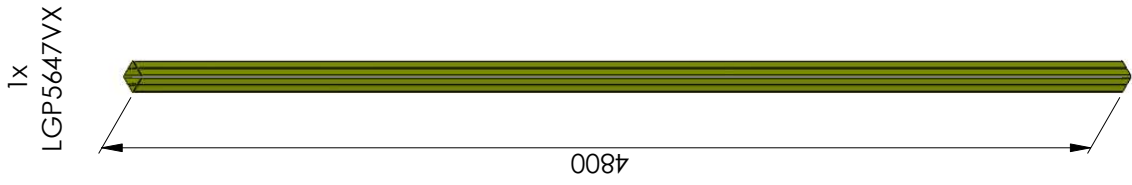
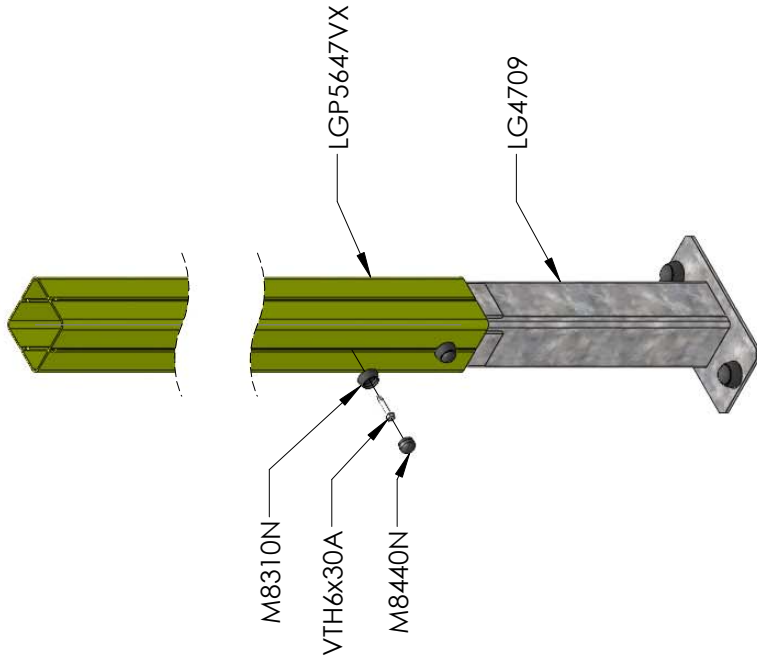




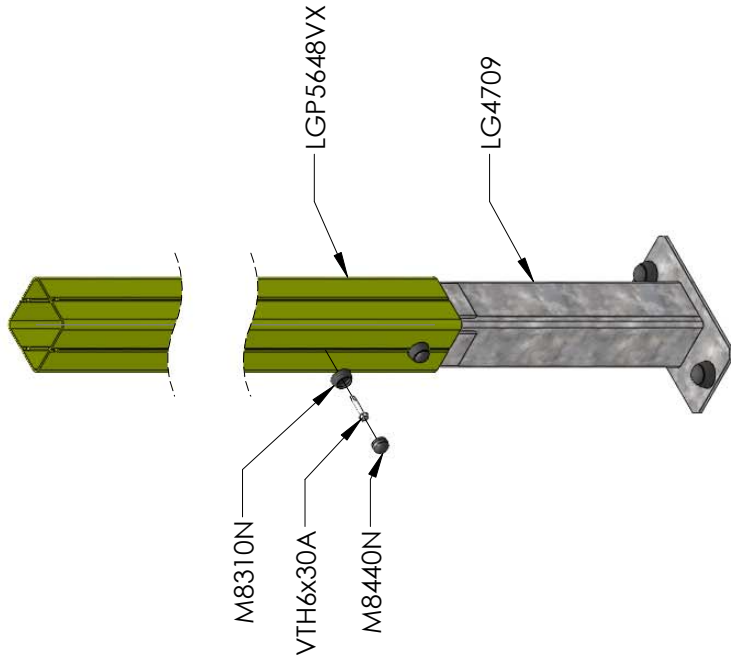
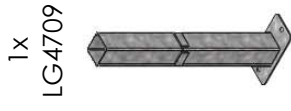
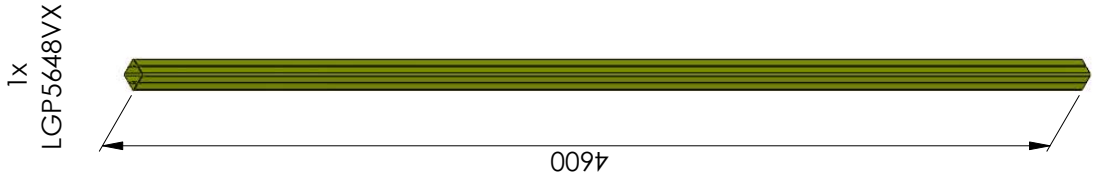
Réf	Qté
ET5674CH	1
ET5675PV	1
M8310N	3
M8440N	3
M10310N	1
M10440N	1
P120	1
VCBHC10x30I	1
VEFM10	1
VTH6x30A	3



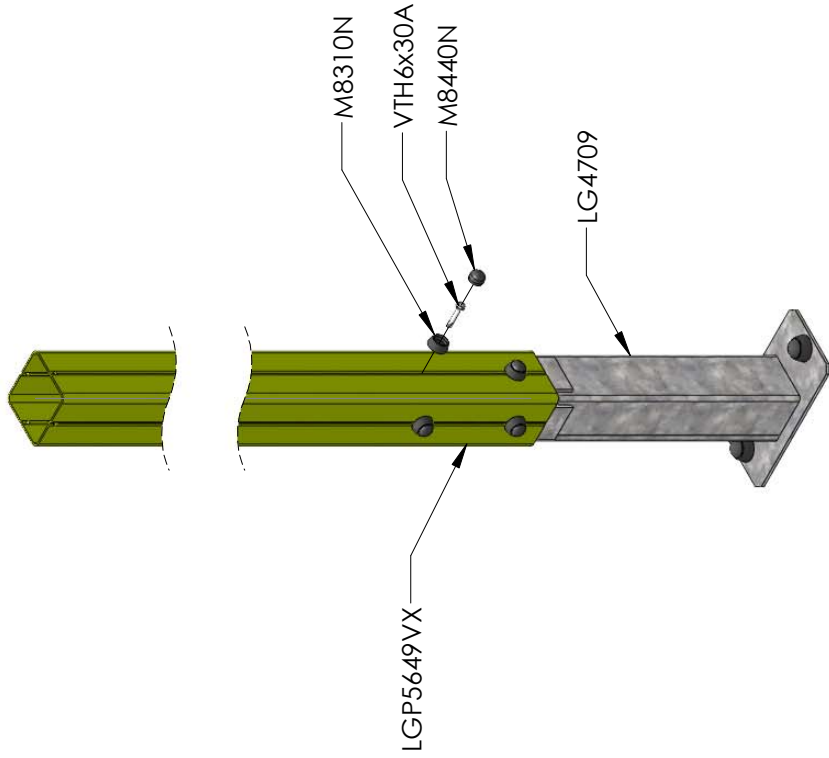
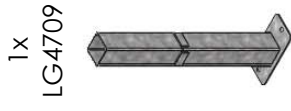
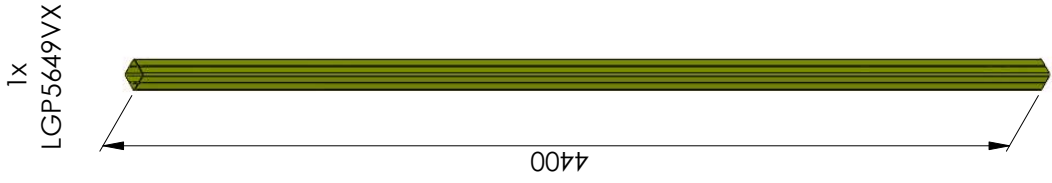
ET5671CH	1
ET5672CH	1
ET5673VX	1
HC5601	4
M8310N	4
M8440N	4
M10310N	16
M10440N	16
VCBHCM10x50I	4
VCBHCM10x60I	4
VCBHCM10x70I	8
VEFM10	16
VTH6x30A	4



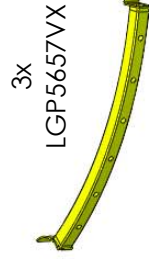
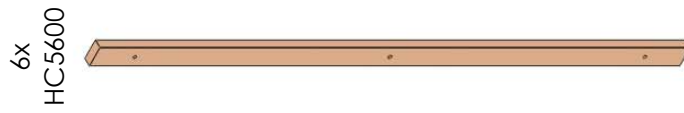
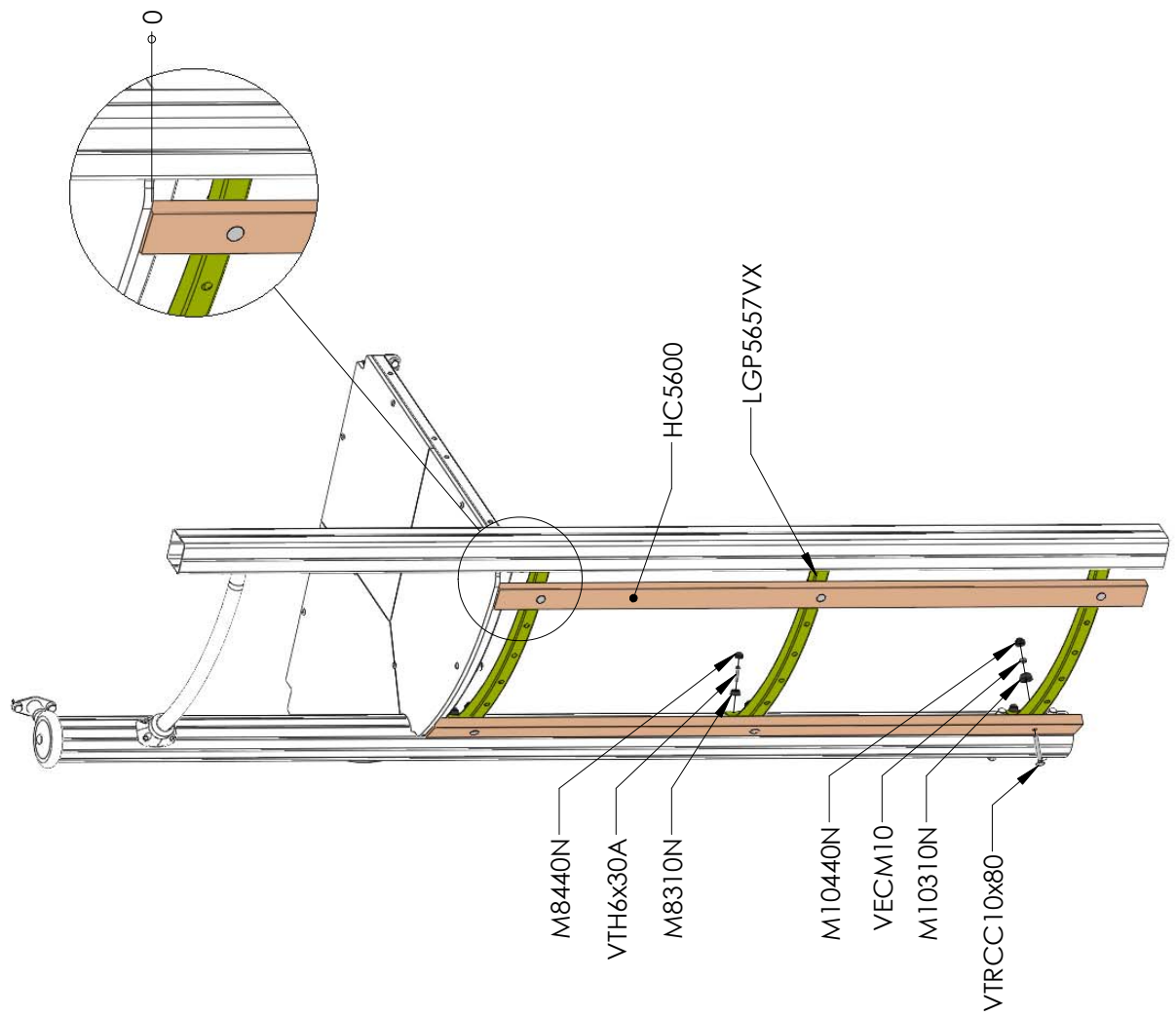
Réf	Qté
LG4709	1
LGP5647VX	1
M8310N	4
M8440N	4
M10310N	2
M10440N	2
RD14M10	2
VTH6x30A	4



Réf	Qté
LG4709	1
LGP5648VX	1
M8310N	4
M8440N	4
M10310N	2
M10440N	2
RD14M10	2
VTH6x30A	4



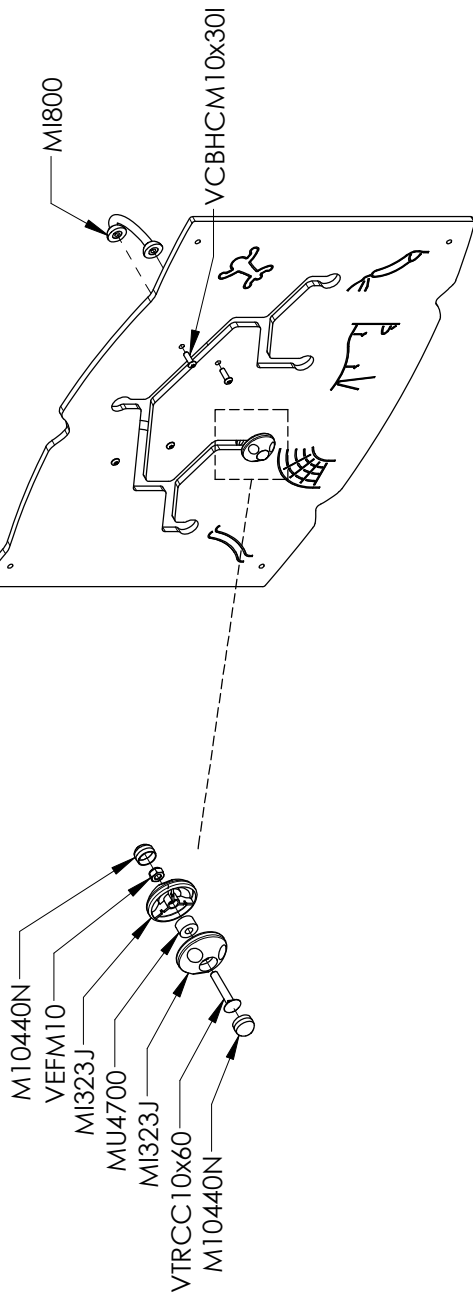
Réf	Qté
LG4709	1
LGP5649VX	1
M8310N	4
M8440N	4
M10310N	2
M10440N	2
RD14M10	2
VTH6x30A	4



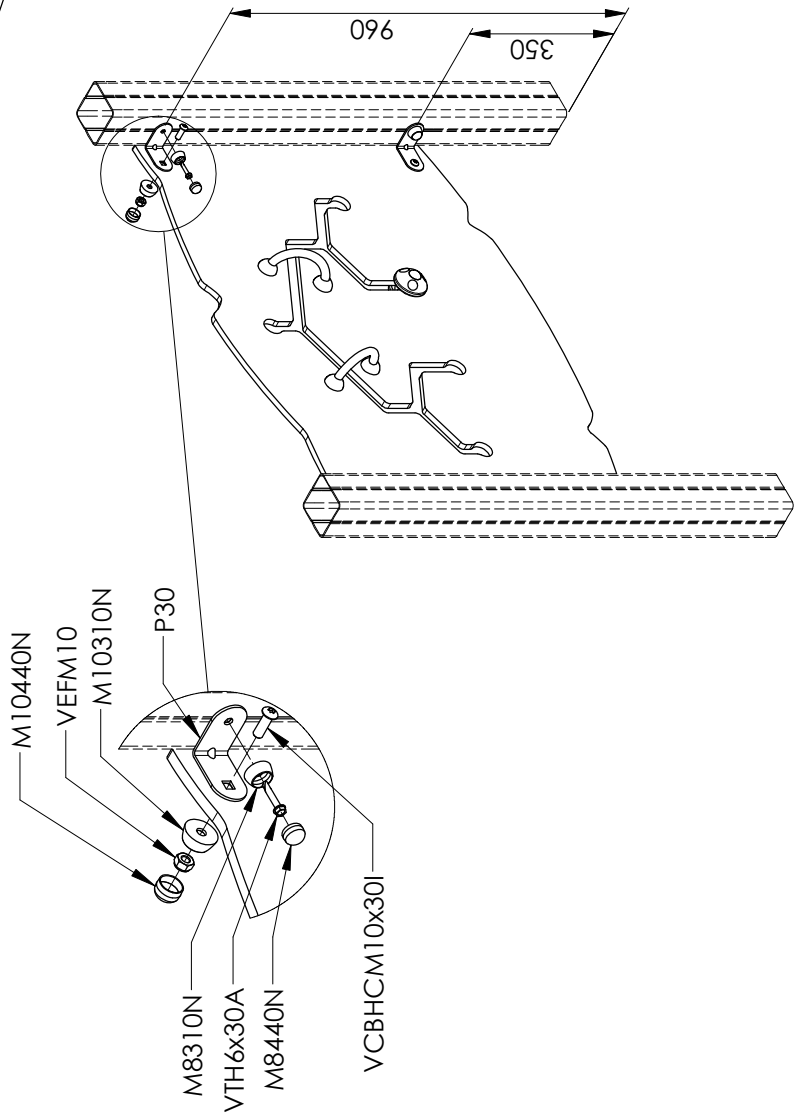
Réf	Qté
HC5600	6
LGP5657VX	3
M8310N	6
M8440N	6
M10310N	18
M10440N	18
VECM10	18
VTH6x30A	6
VTRCC10x80	18



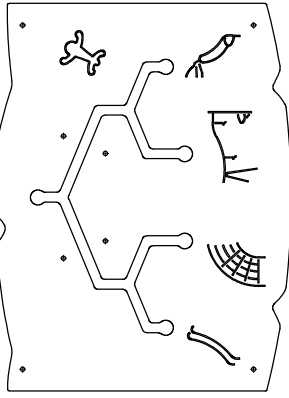
**1**



**2**



1x  
ET5676PV



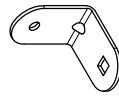
1x  
MU4700



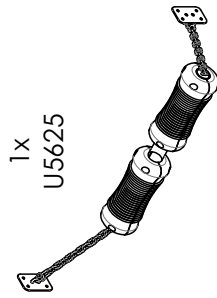
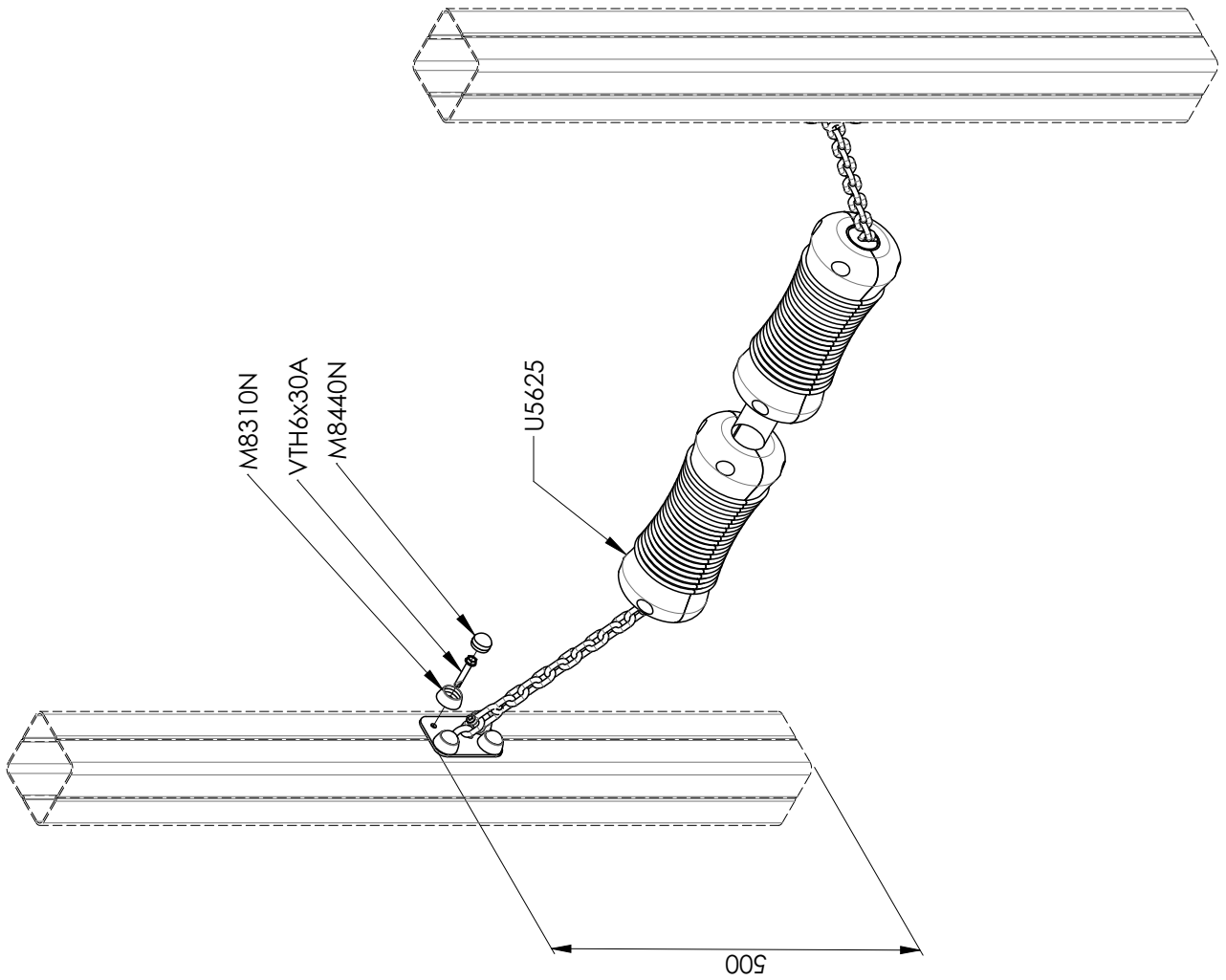
2x  
MI323J



4x  
P30

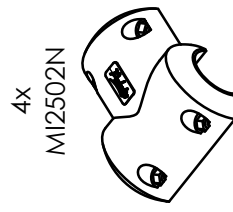
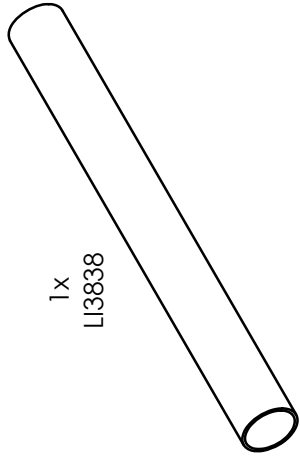
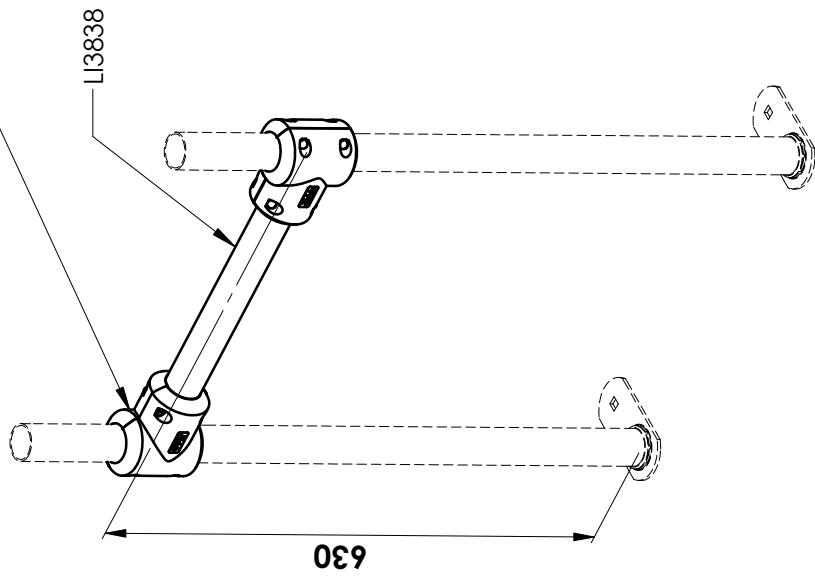
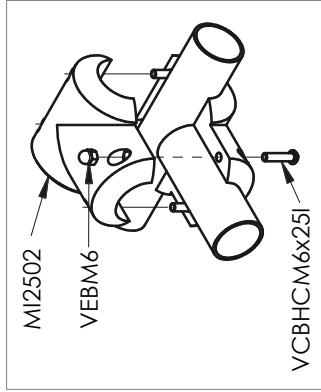


ET5676PV	1
M8310N	4
M8440N	4
M10310N	4
M10440N	6
MI323J	2
MI800	2
MU4700	1
P30	4
VCBHCM10x30I	8
VEFM10	5
VTH6x30A	4
VTRCC10x60	1



U5625	1
VTH6x30A	8
M8310N	8
M8440N	8

1



Réf	Qté
LI3838	1
MI2502N	4
VCBHCM6x25I	8
VEBM6	8