





N°		m ²
1	1 m	7 m ²
2	1.17 m	33 m ²
3	1.6 m	11 m ²

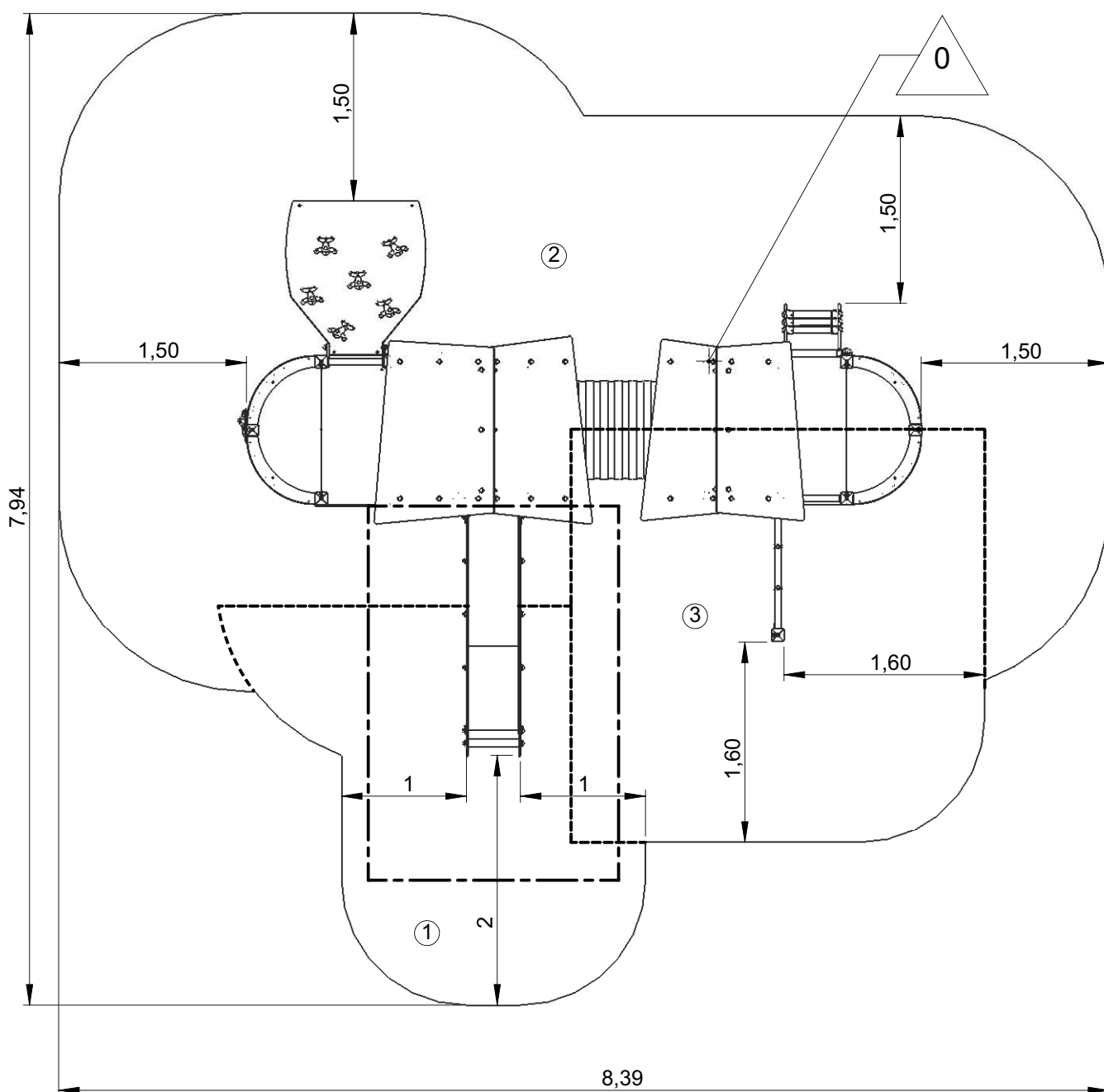
— Zone d'impact
 Impact area
 Area de impacto
 Fallraum
 Valzone

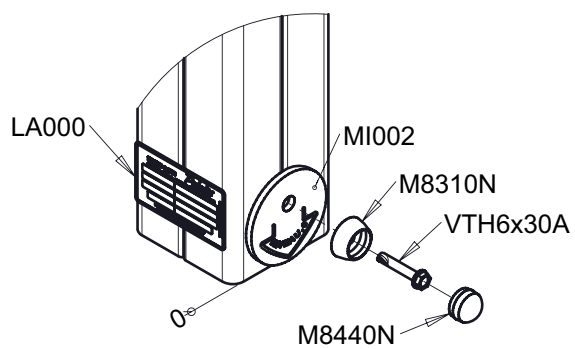
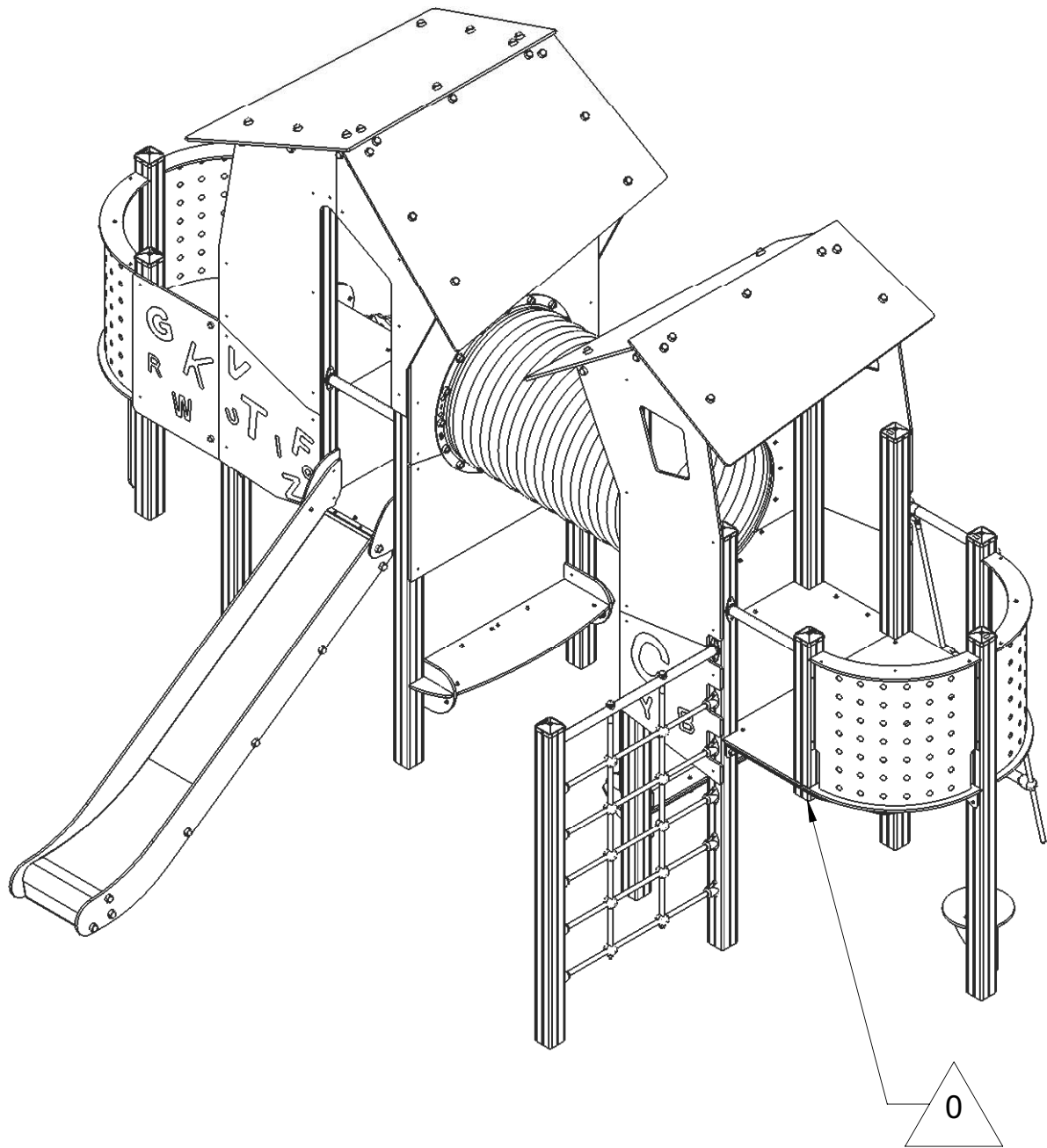


Point de référence
 Setting out point
 Punto de referencia
 Bezugspunkt
 Referentiepunt

--- Espace libre
 Free space
 Espacio libre
 Freiraum
 Vrije ruimte

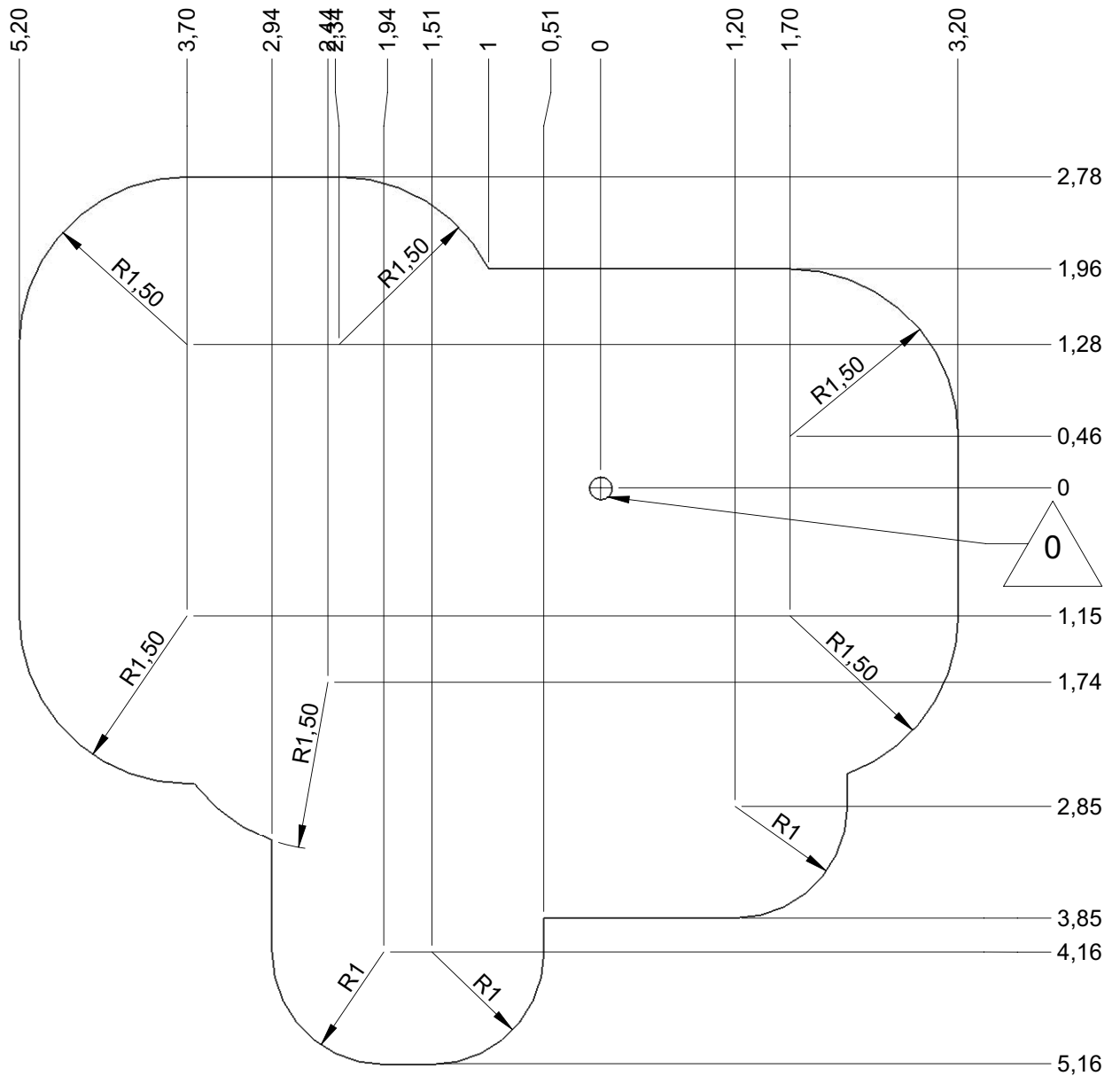
EN1176-1:2017
 EN1176-3:2017





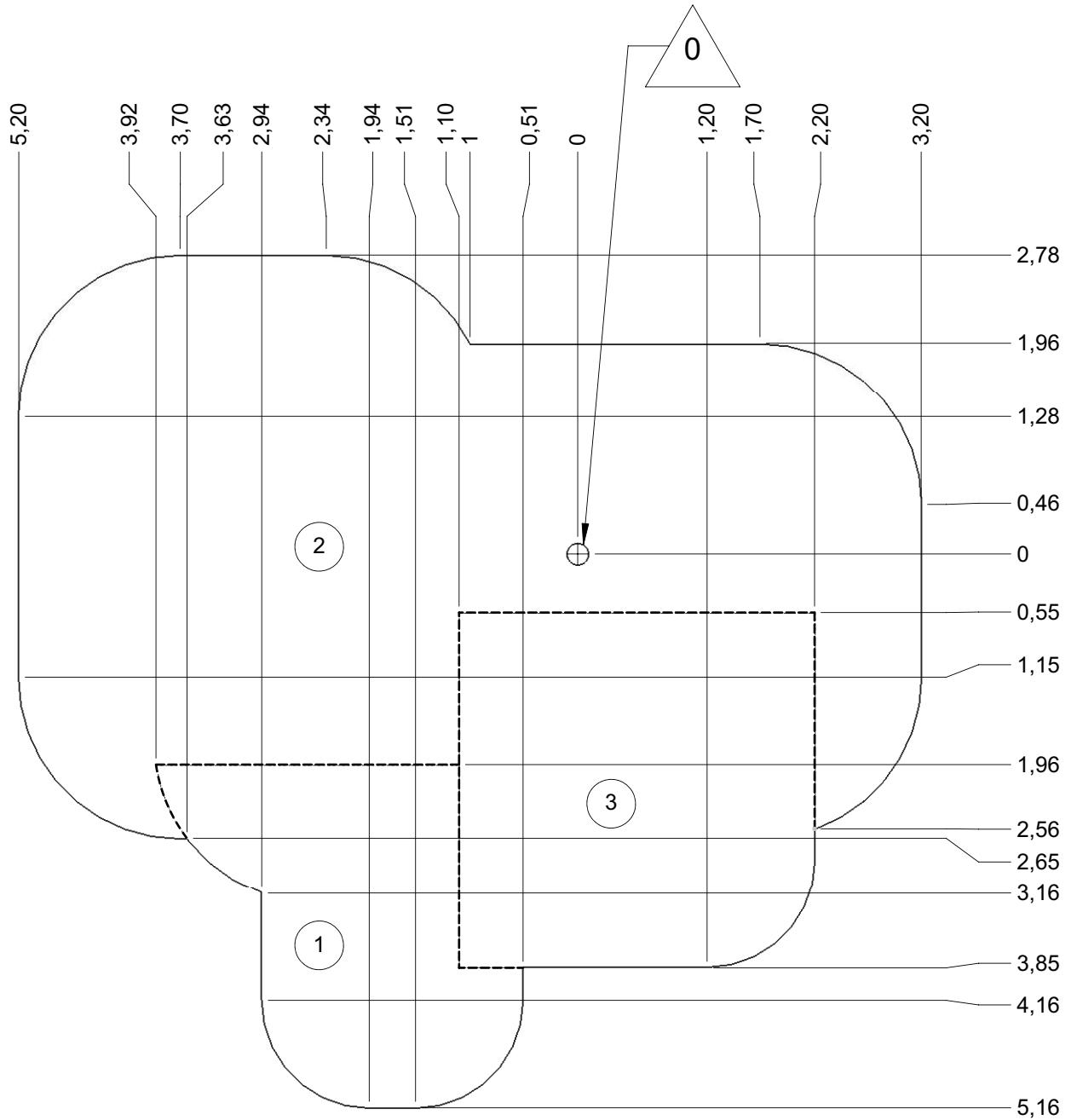
— Zone d'impact
Impact area
Area de impacto
Fallraum
Valzone

51 m²



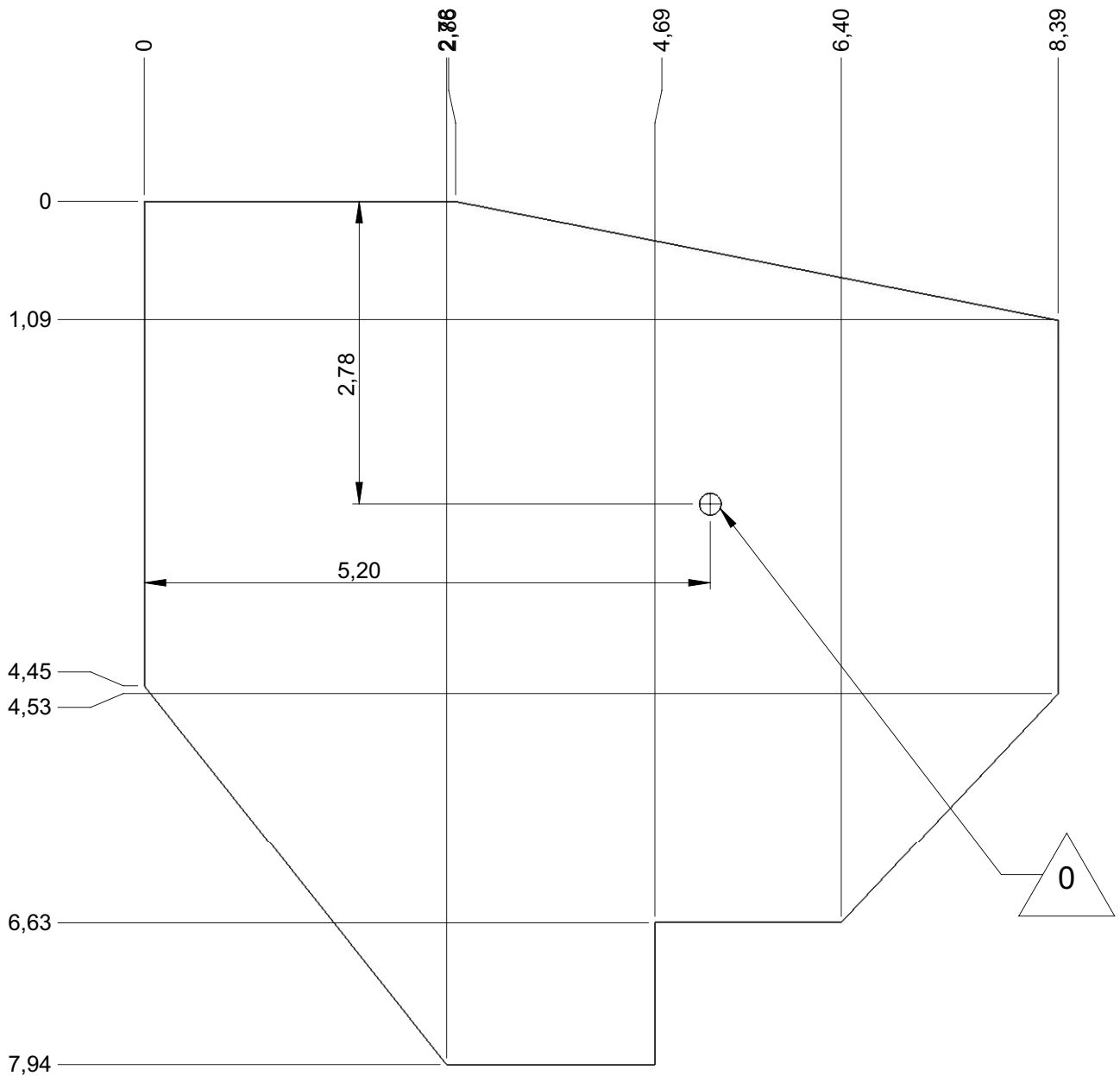
— Sol souple
 Wetpour
 Caucho continuo
 Synthetischer Fallschutz
 Gietvloer

51 m²

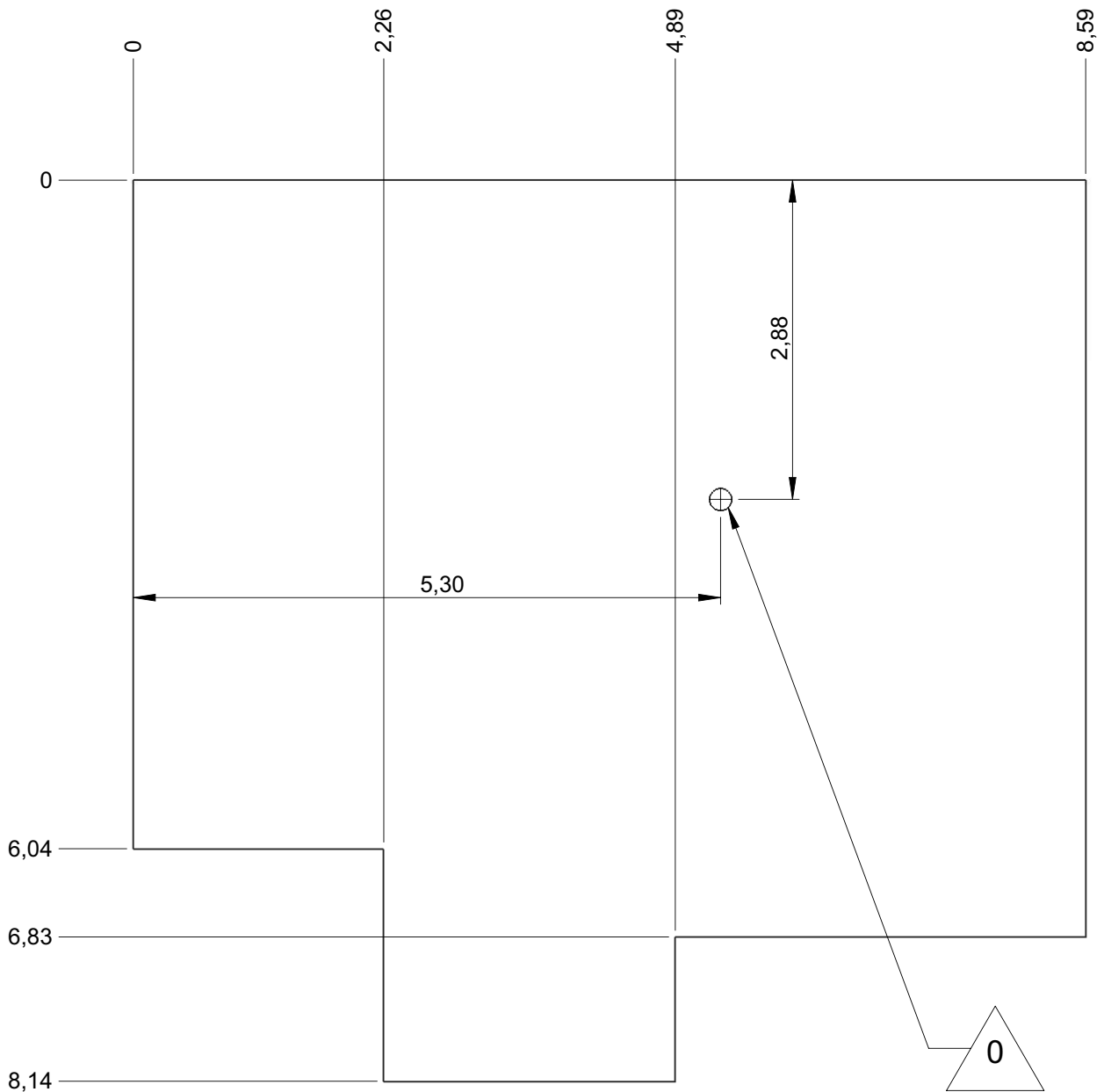


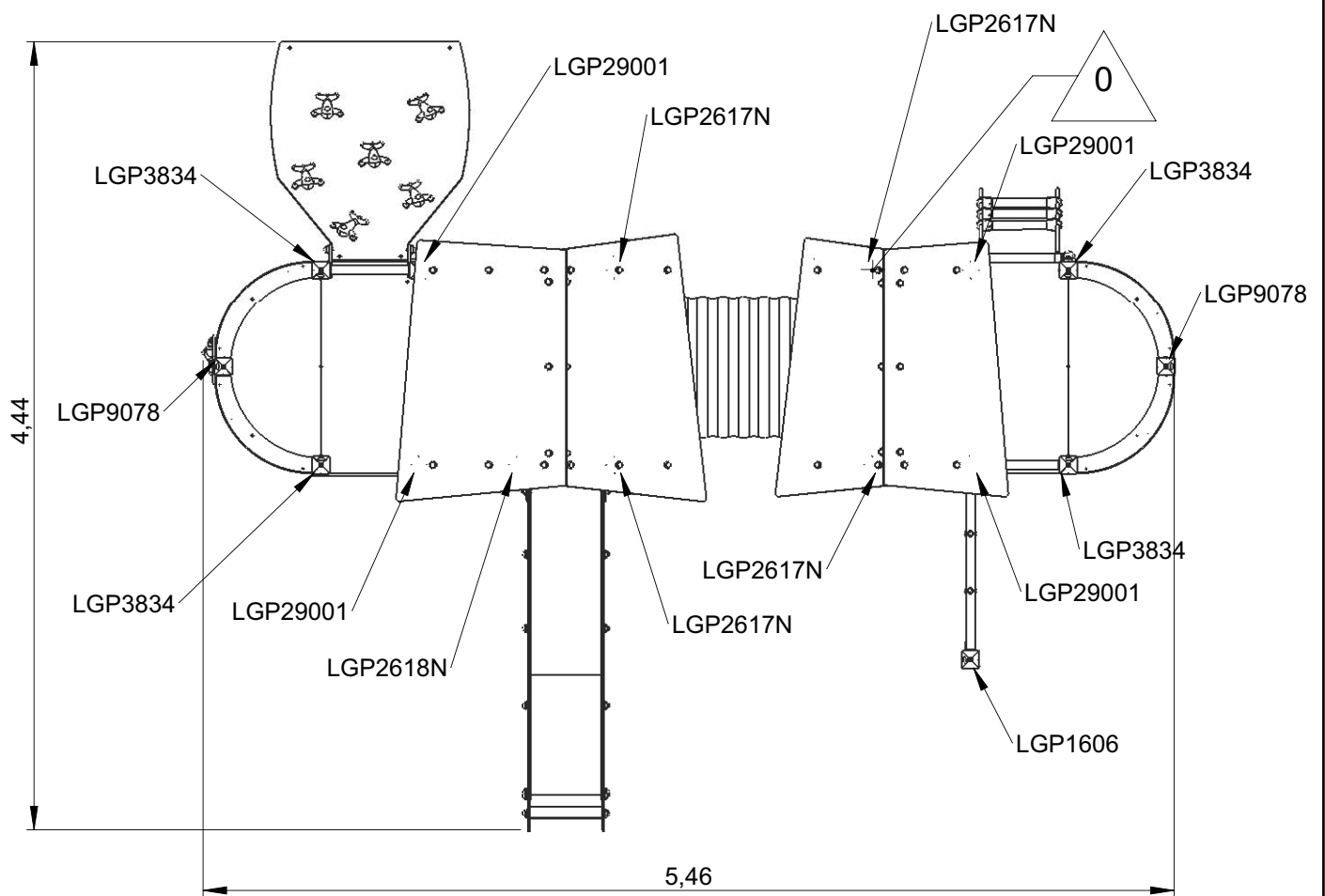
— Dalle béton
Concrete pad
Solera de hormigon
Beton Bodenplatte
Betonnen bodemplaat

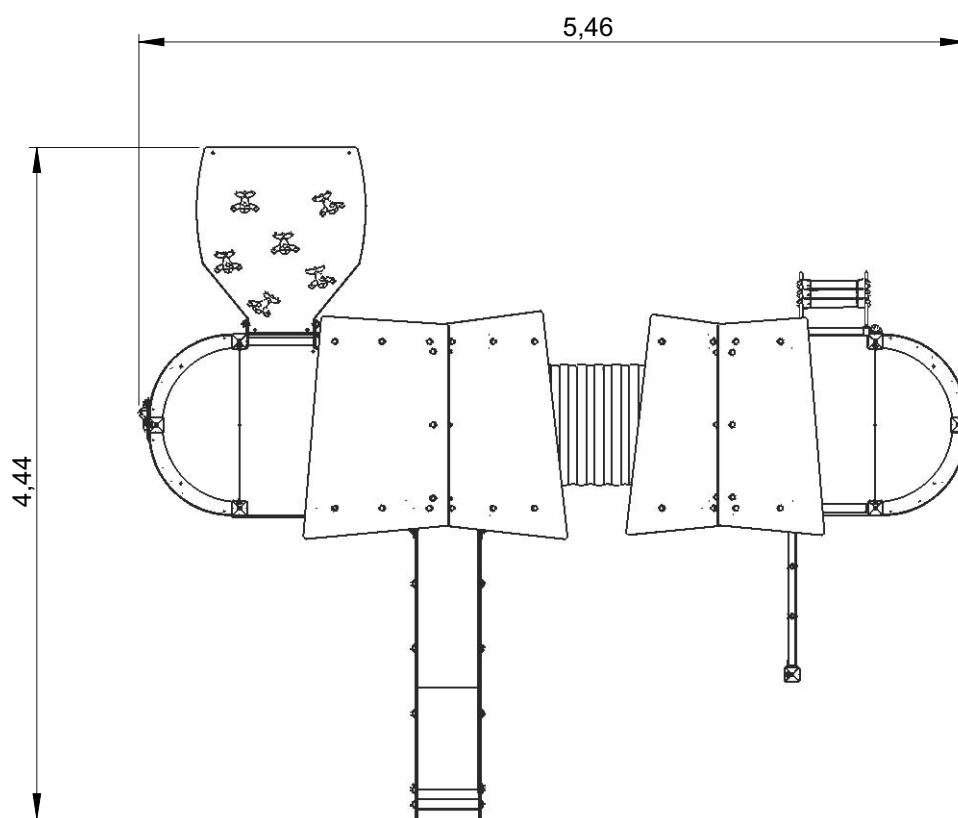
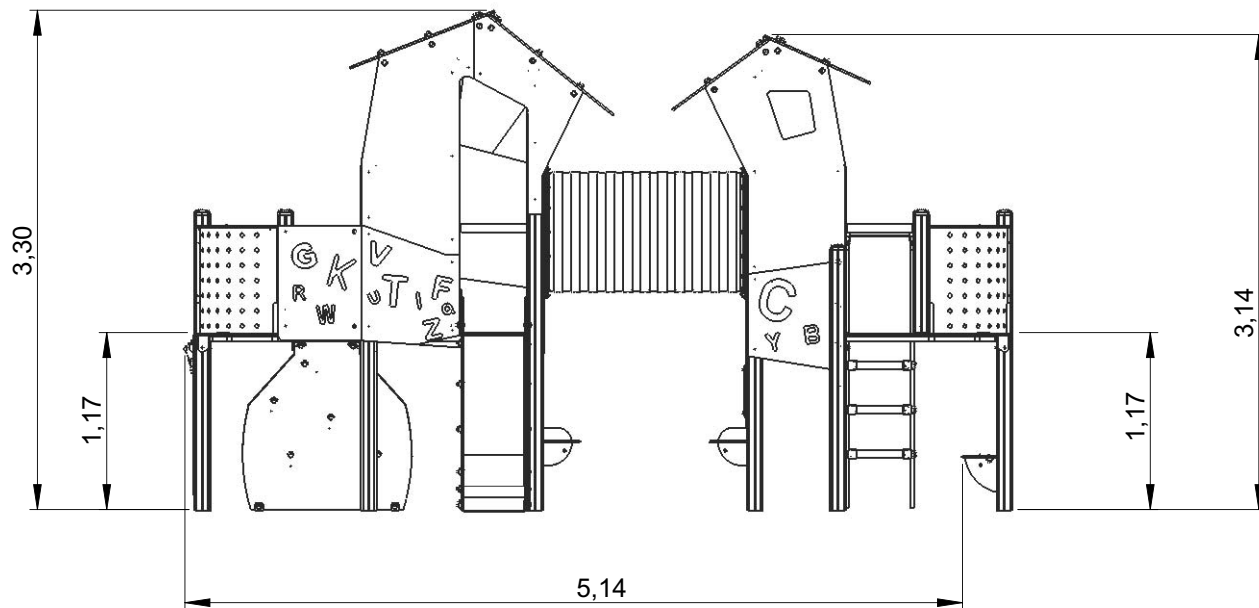
29 m
54 m²



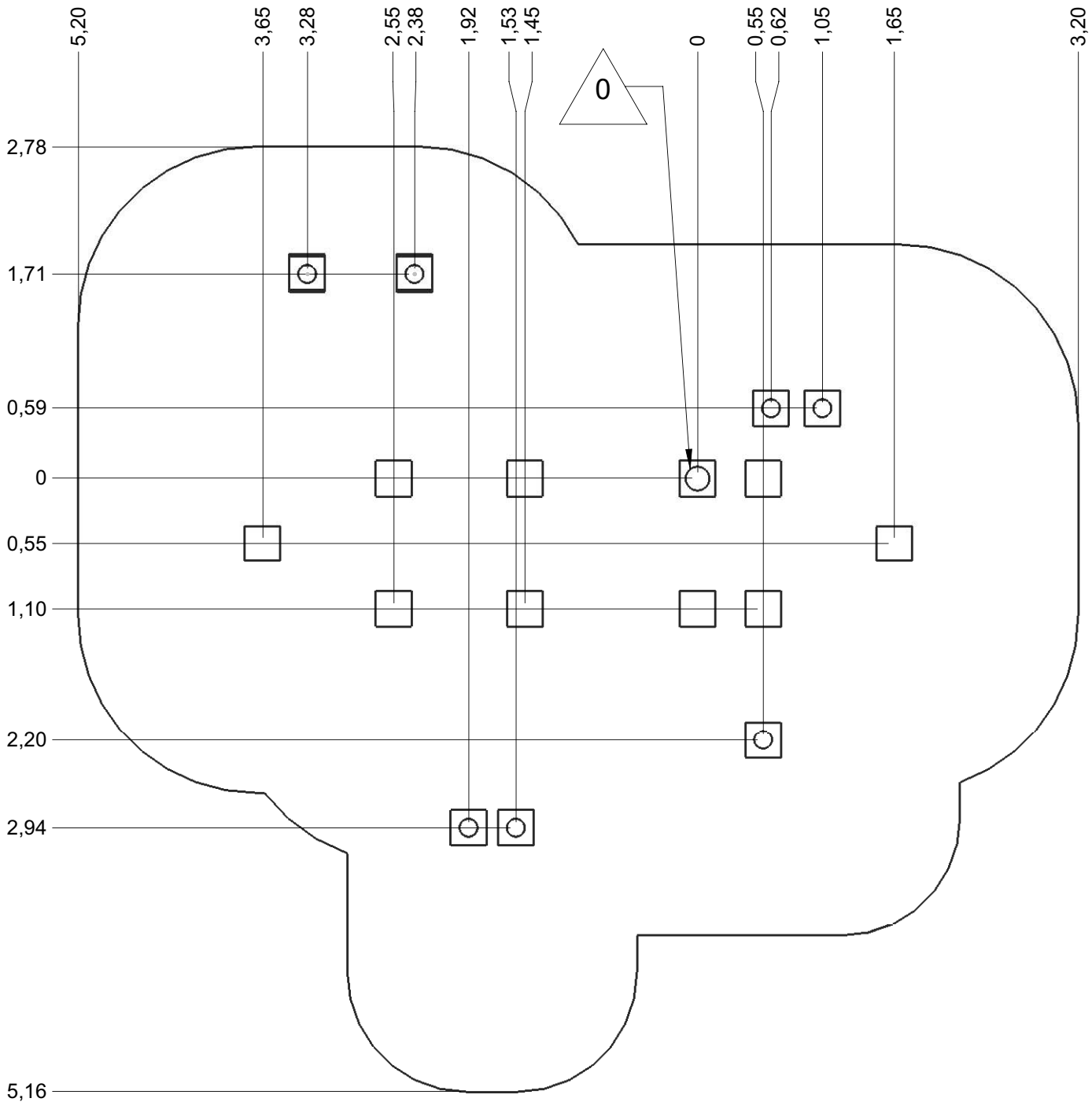
- Sol fluent
- Loos particule material **34 m**
- Arenero
- Loses Bodenmaterial **62 m²**
- Los bodemmaterial





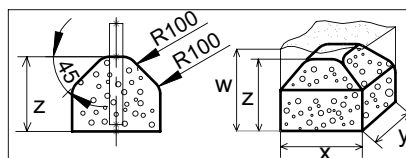




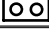


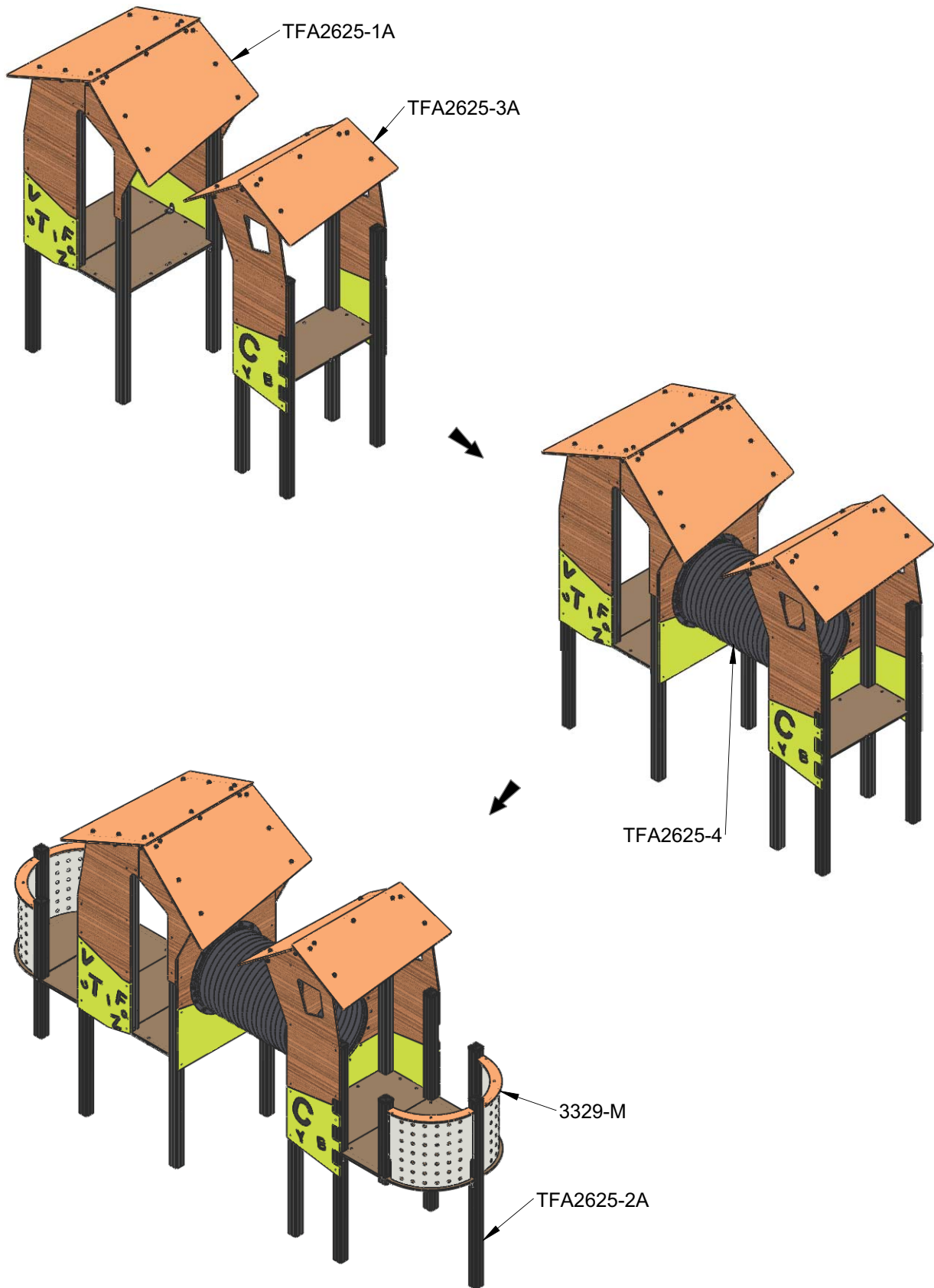
Implantation
 Footing plan
 Implantación
 Fundamentplan
 Funderingstekening

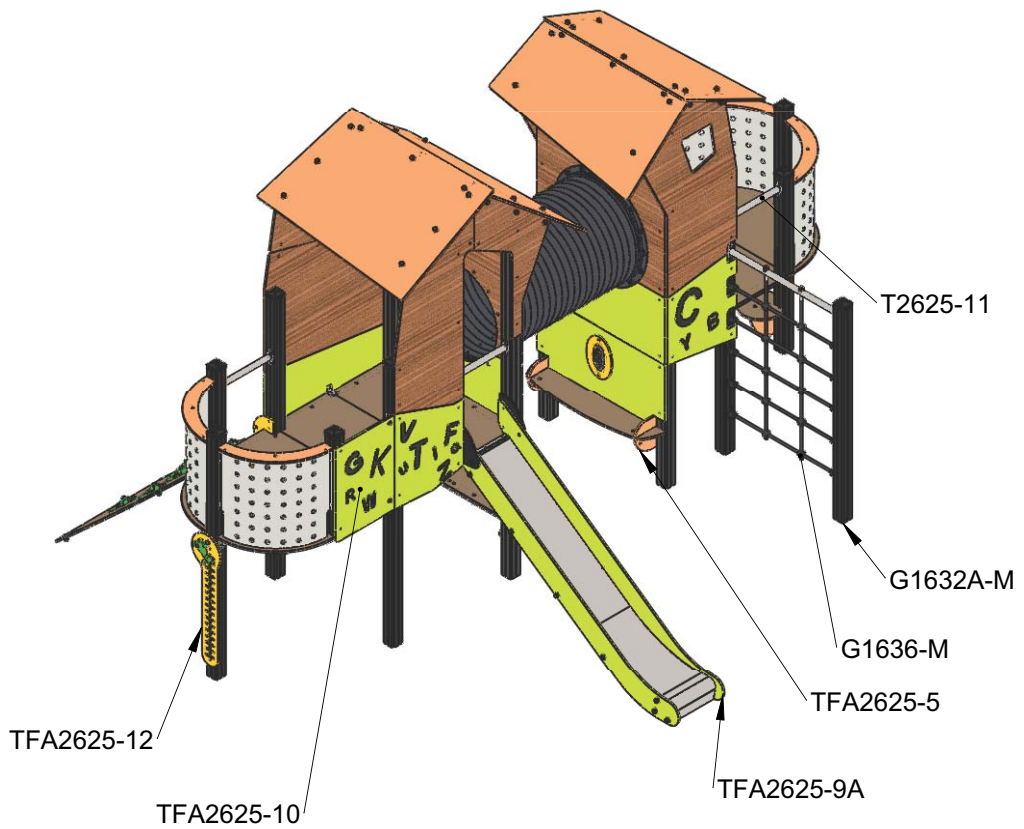
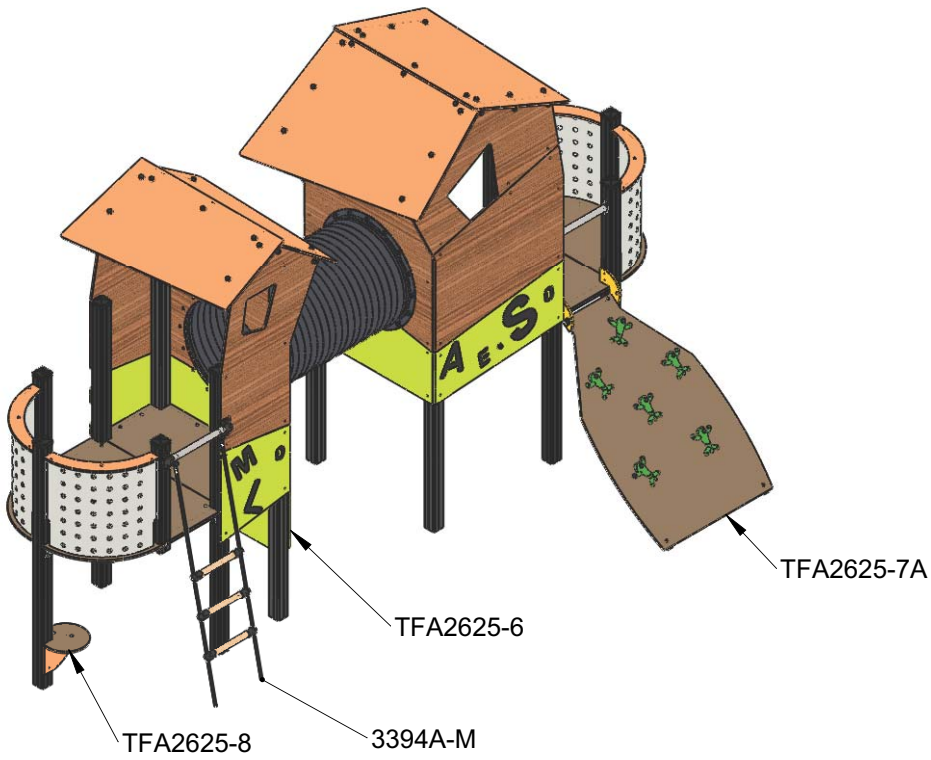


 x2
 14H
 0.460 m³

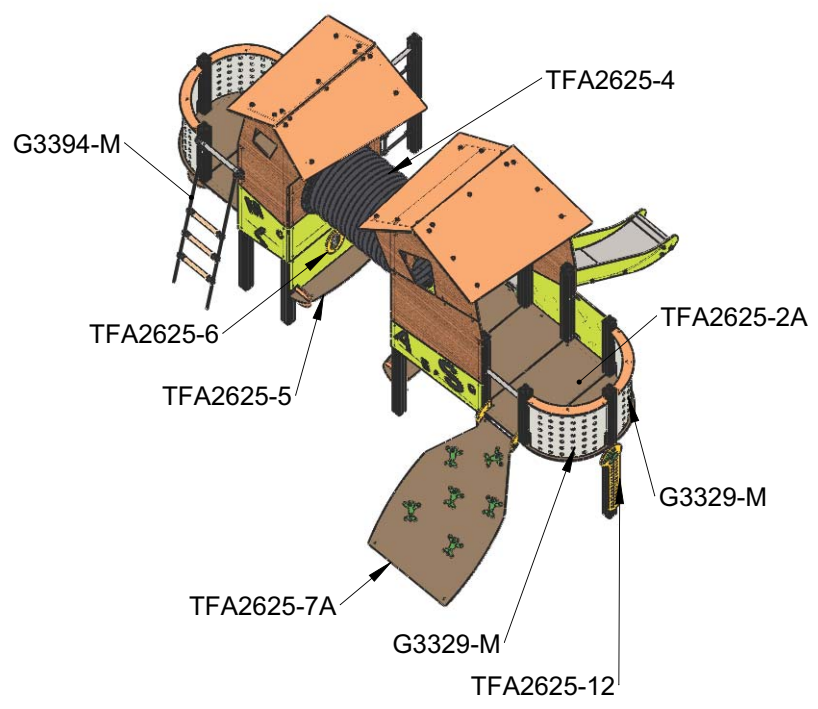
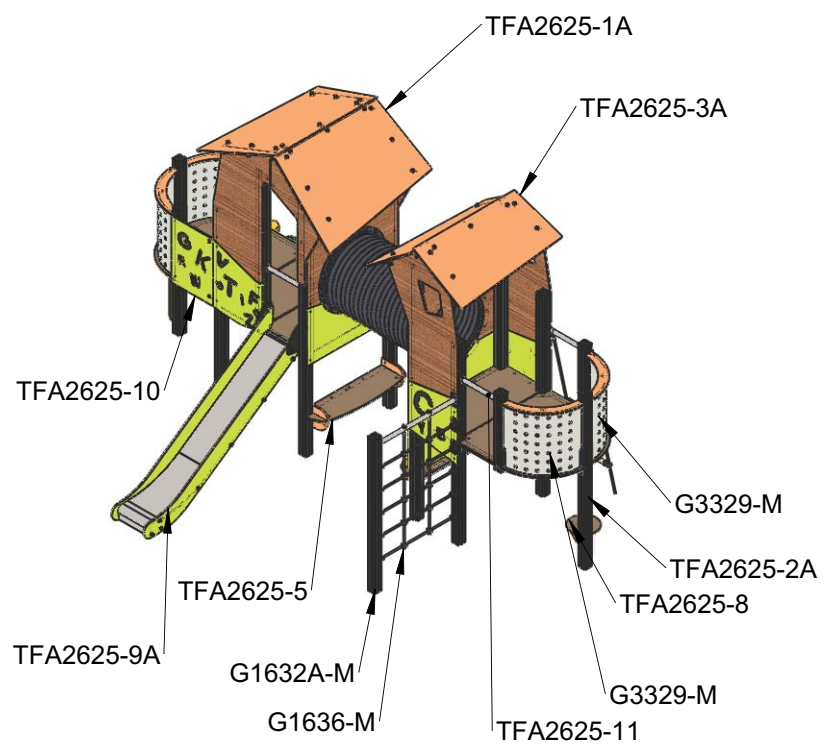


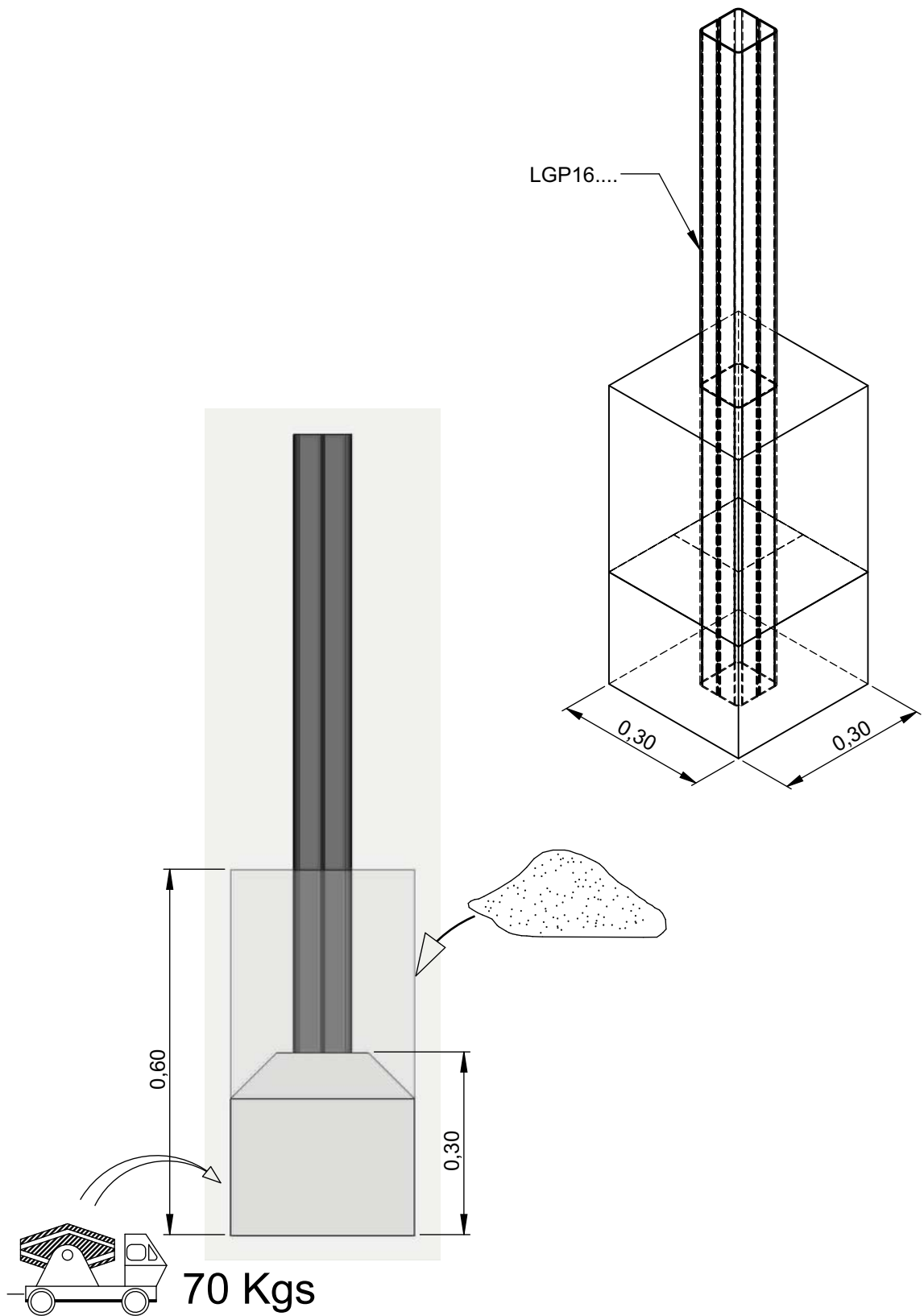
	x	y	z	w
	0.3	0.3	0.3	0.6
	0.4	0.4	0.3	0.6
	0.6	0.3	0.3	0.6

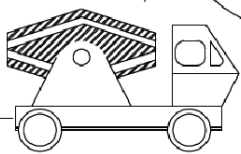
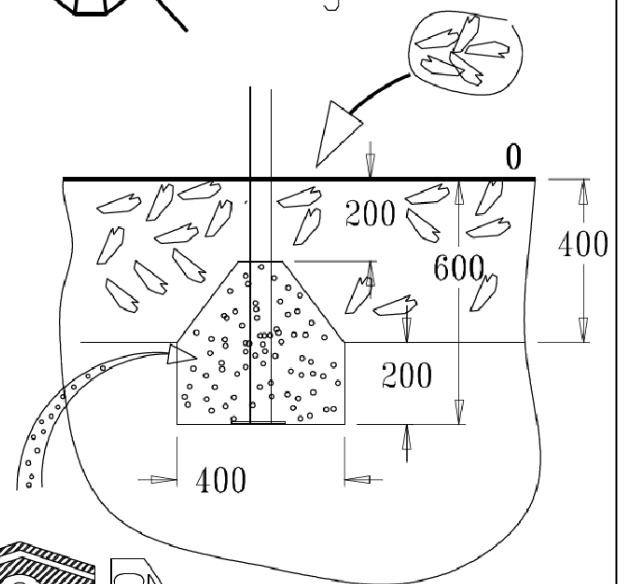
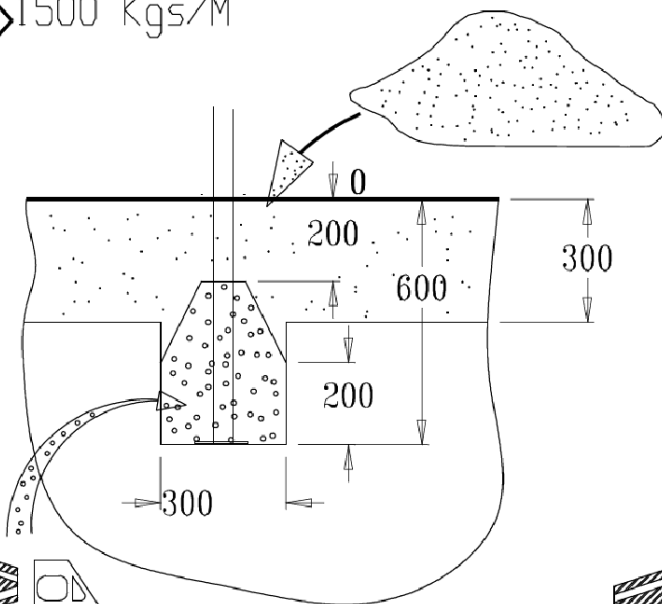
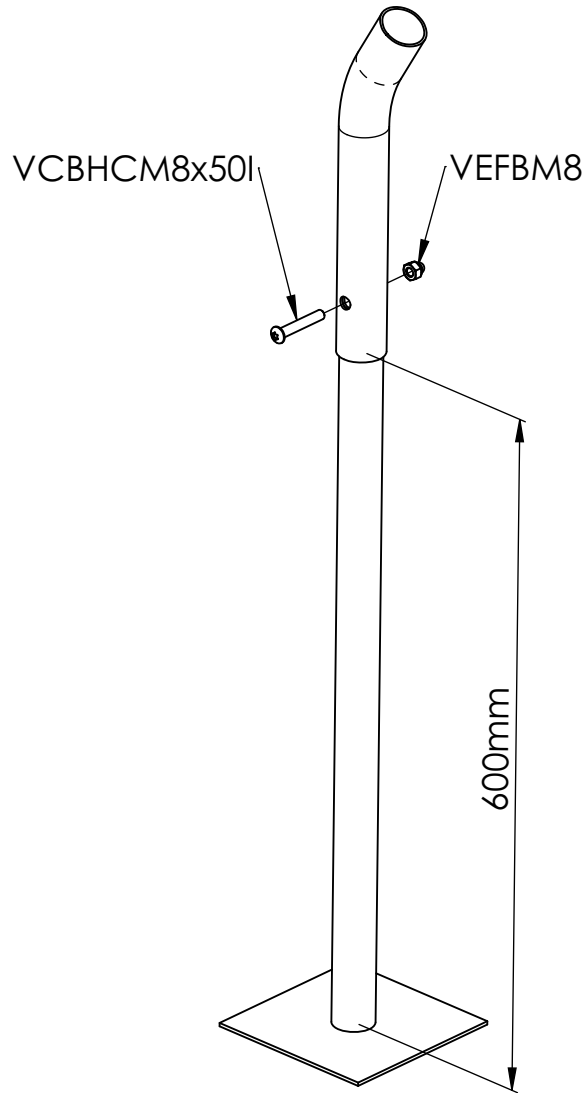




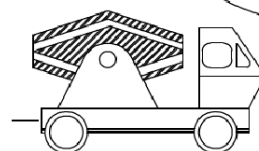
Réf	Qté
G1632A-M	1
G1636-M	1
G3329-M	4
G3394A-M	1
TFA2625-1A	1
TFA2625-2A	2
TFA2625-3A	1
TFA2625-4	1
TFA2625-5	2
TFA2625-6	1
TFA2625-7A	1
TFA2625-8	1
TFA2625-9A	1
TFA2625-10	1
TFA2625-11	1
TFA2625-12	1







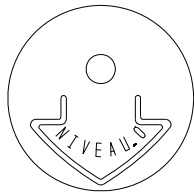
50 Kgs



90 Kgs

A

Proludic



MI0002

VCBHCM10

M10310N
VEFM10
M10440N

LG08

M10440N
VEFM10
MI2503

LG3802

M10440N
VTH10*80
MI2503

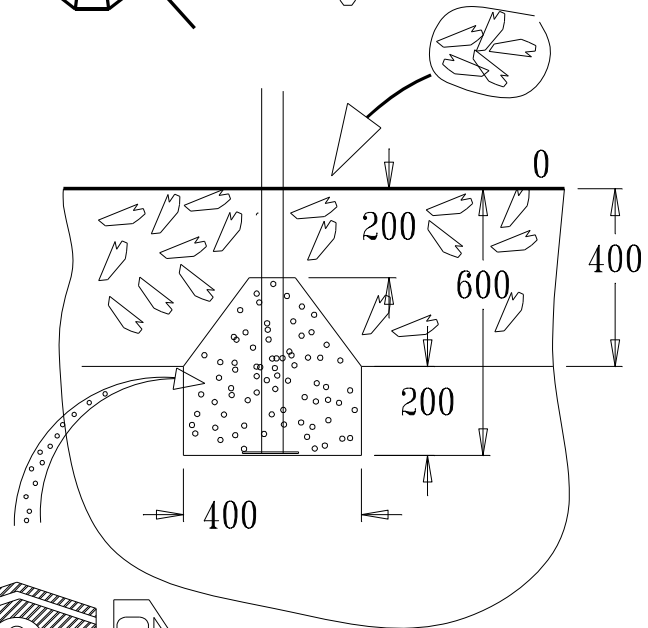
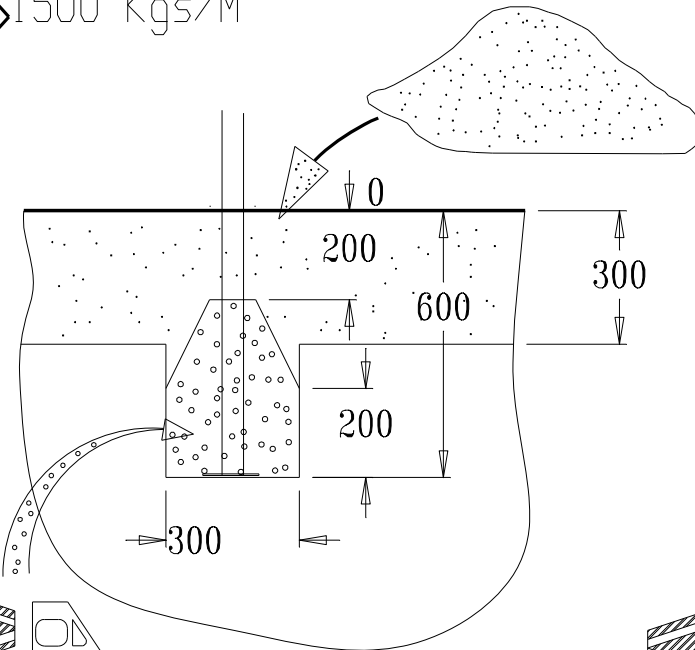
LG3804

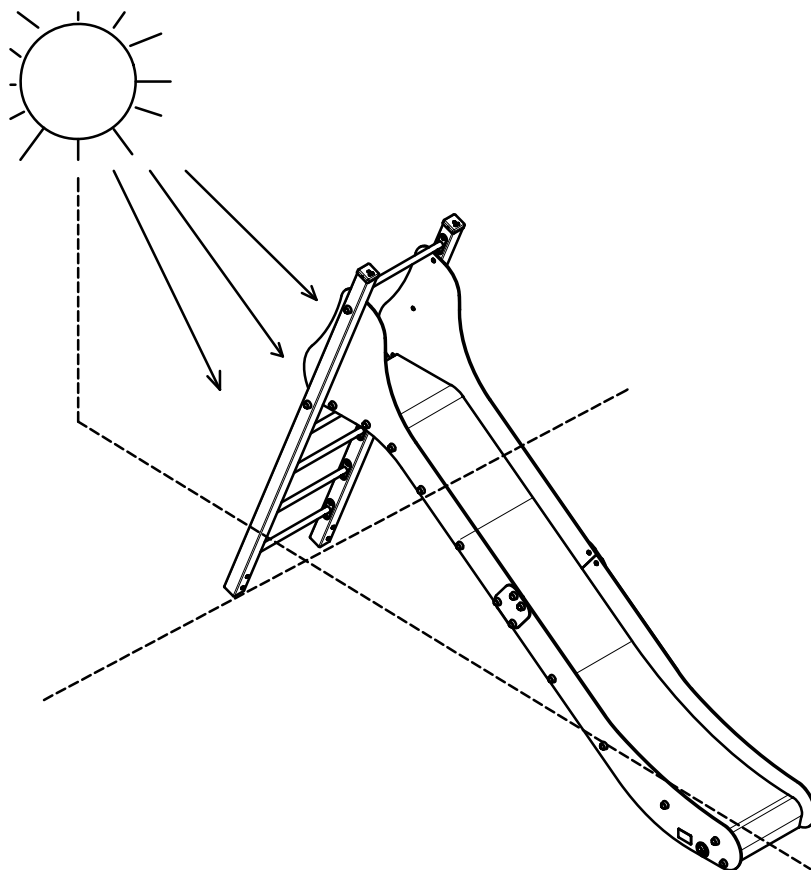


> 1500 Kgs/M³



< 1500 Kgs/M³



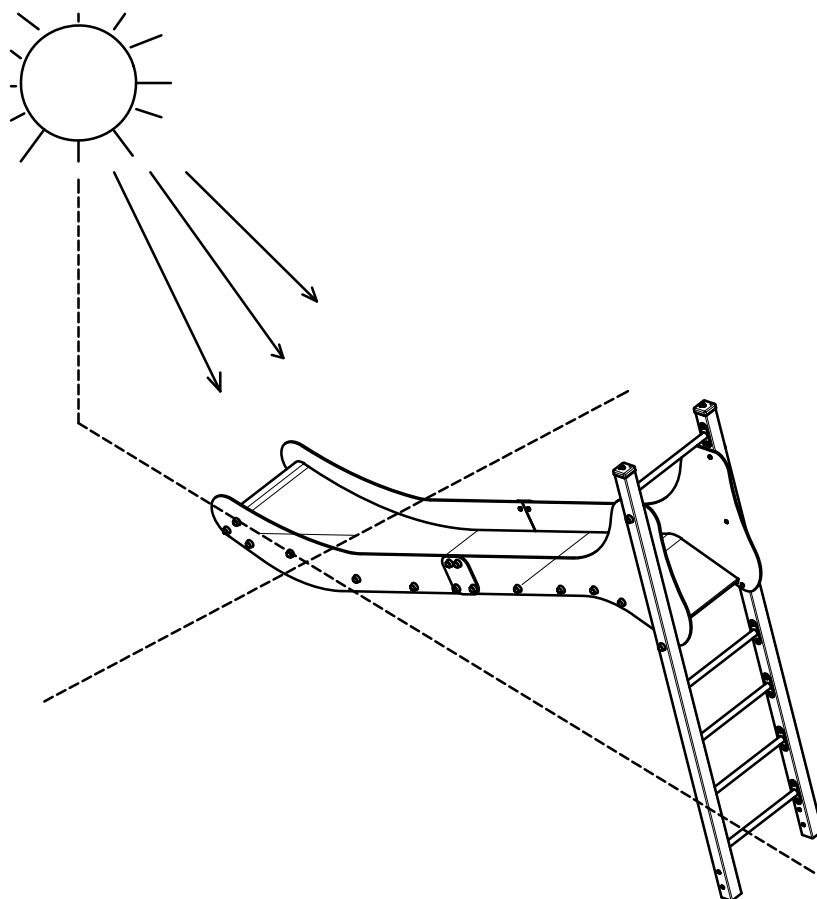


OK



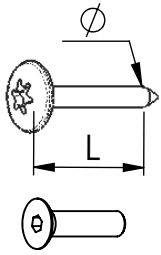
FR

il est recommandé de ne pas orienter la glissière Sud / Sud Ouest



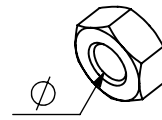
NOK



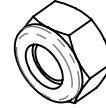


VBT 6 x 30
 \varnothing \uparrow L (mm)

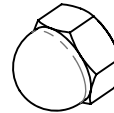
VFHC



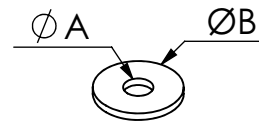
VEC M10
 \varnothing



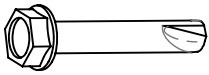
VEF



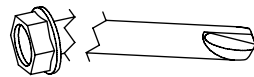
VEB



VR6x18
 $\varnothing A$ $\varnothing B$



VTHA

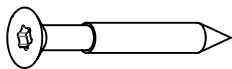


14 N.m
 Couple de rupture
 Torque of break

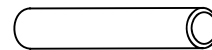


1000 - 1800 tr/min

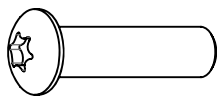
Vitesse de rotation
 Rotation speed



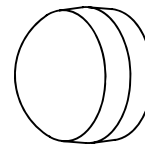
VWT



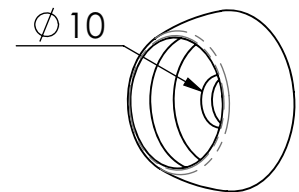
VGC



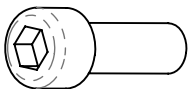
VCBHC



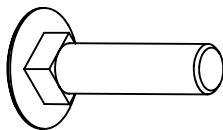
M10 440N



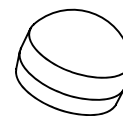
M10 310 N



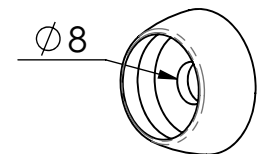
VBTR



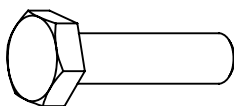
VTRCC



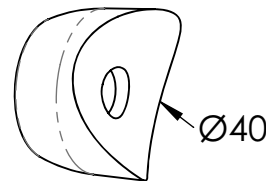
M8 440N



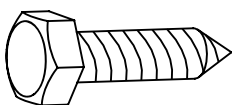
M8 310N



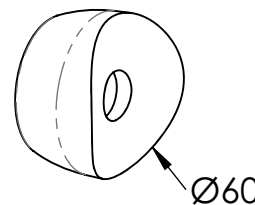
VTH



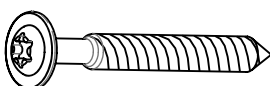
MI2503



VTF



MI2701



VBT

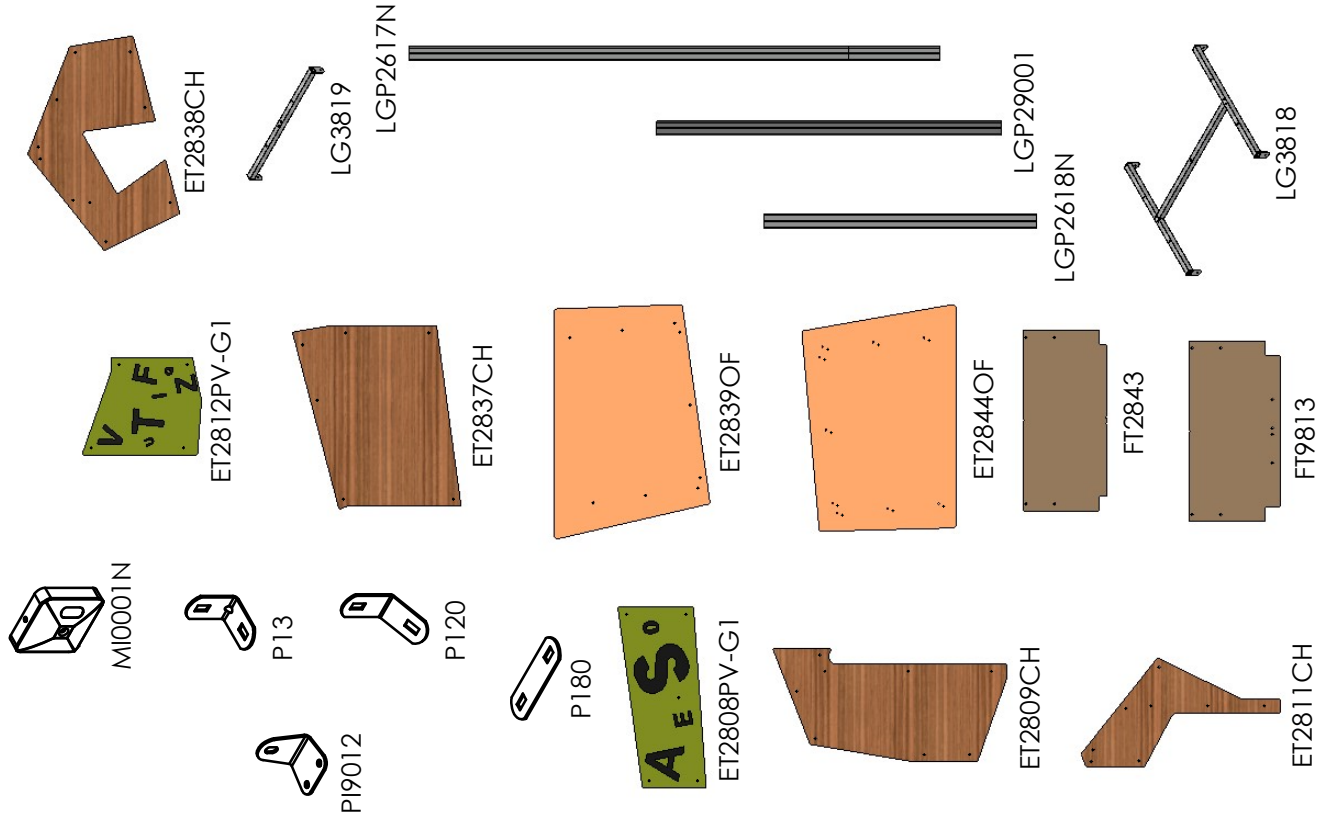
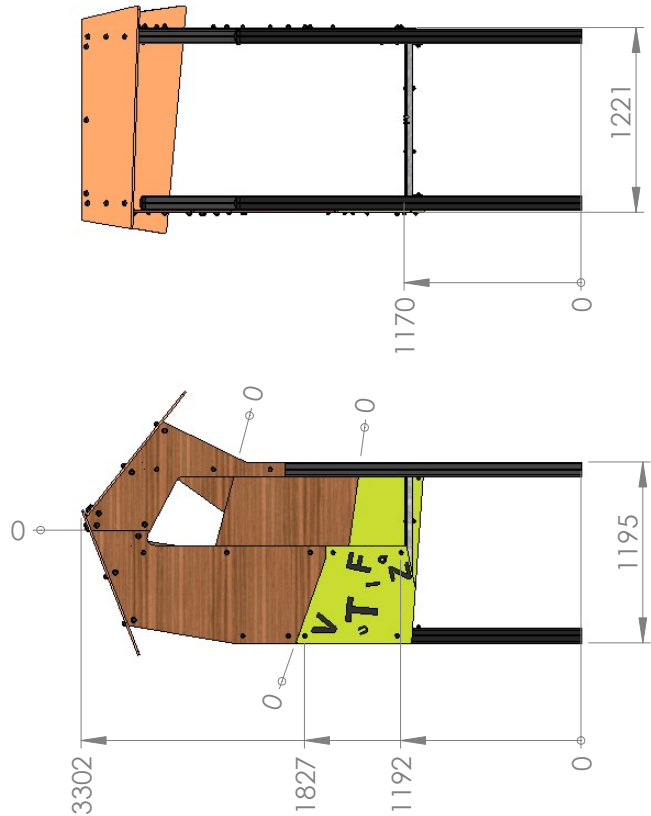
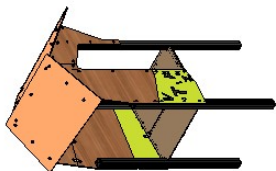


Table de nomenclature	
Réf	Qté
LGP2618N	1
ET2808PV-G1	1
ET2809CH	1
ET2811CH	1
ET2812PV-G1	1
ET2837CH	1
ET2838CH	1
ET2839OF	1
ET2844OF	1
FT2843	1
FT9813	1
LG3812	1
LG3818	1
LG3819	1
LGP2617N	2
LGP29001	2
M8310N	28
M8440N	28
M10310N	43
M10440N	43
MI0001N	5
P13	12
P120	3
P180	3
P19012	1
RRAV6	10
VCBHCM8x30I	9
VCBHCM10x30I	39
VCBHCM10x70I	6
VEFM10	43
VTH6x30A	28

01

RRAV6
MI000TN 4x

LGP29001 2x

FT2843

LG3818

LGP2617N 2x

LG3819

VCBHC8x30I

VCBHC10x70I

FT9813

VCBHC8x30I

M10310N

VEFM10

M10440N

M8440N

VTH6x30A

M8310N

LG3812

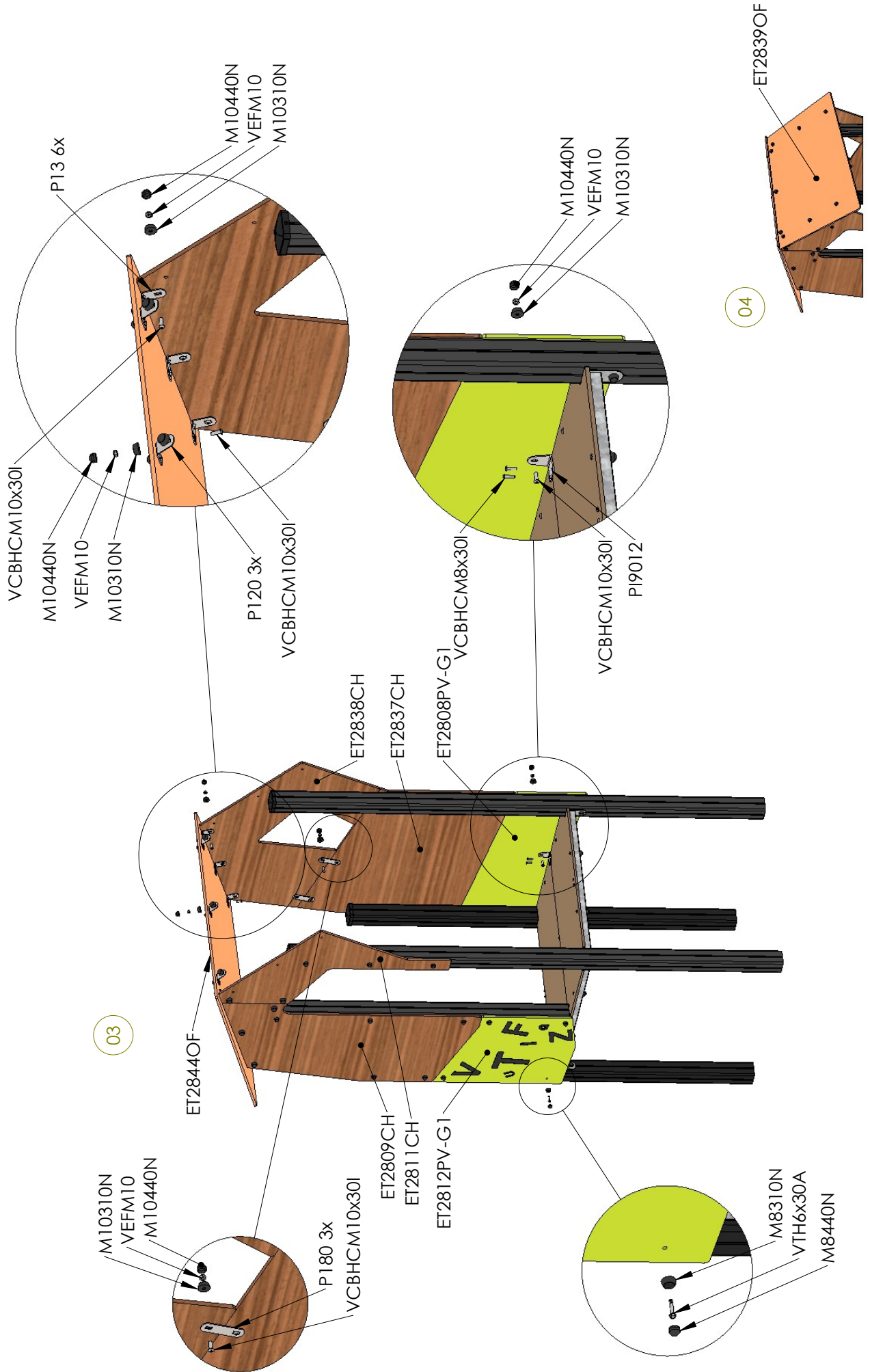
VCBHC8x30I

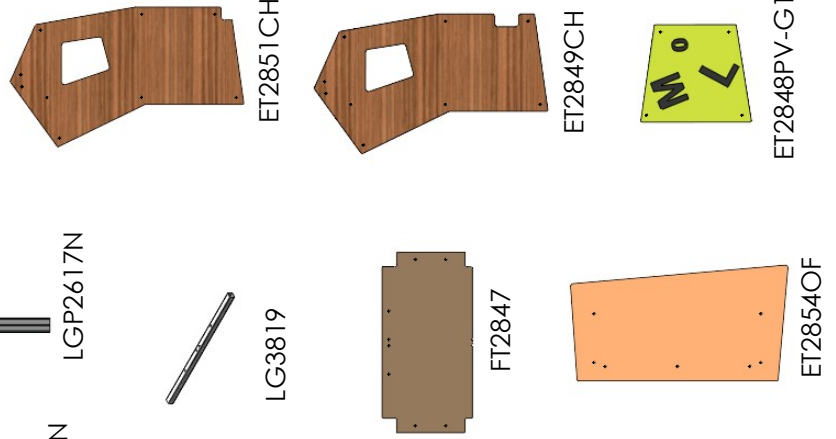
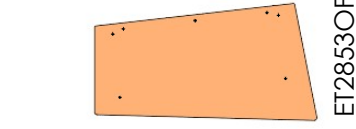
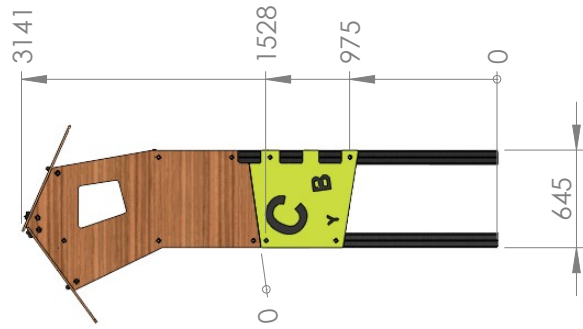
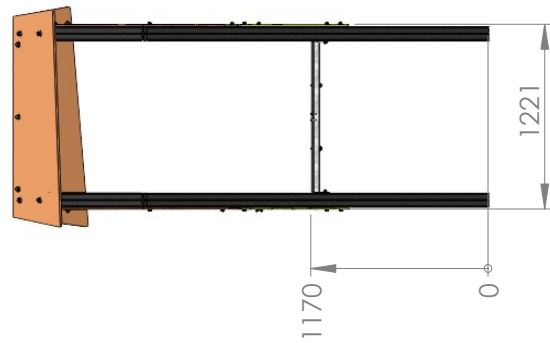
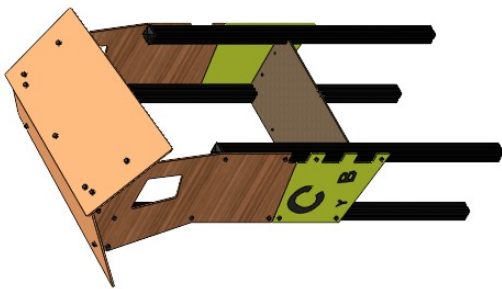
VCBHC10x30I

RRAV6
MI000TN

LGP2618N

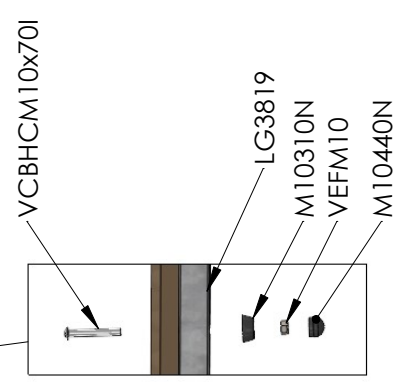
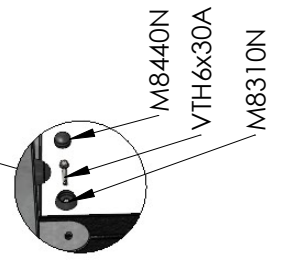
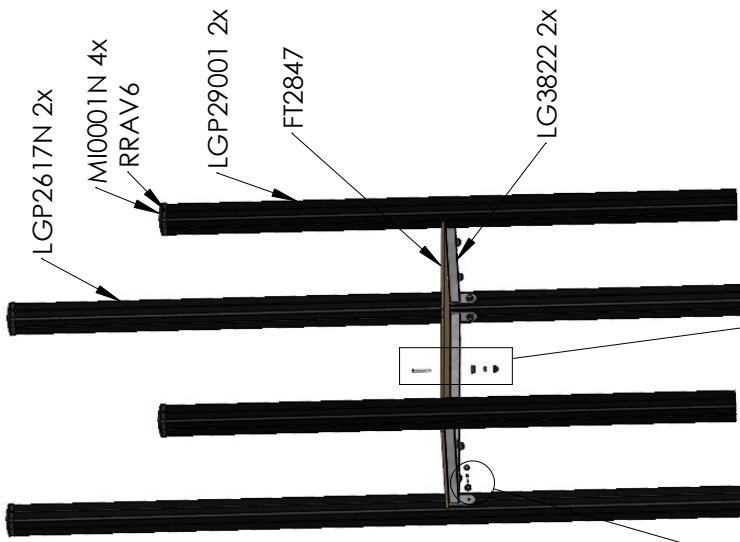
02



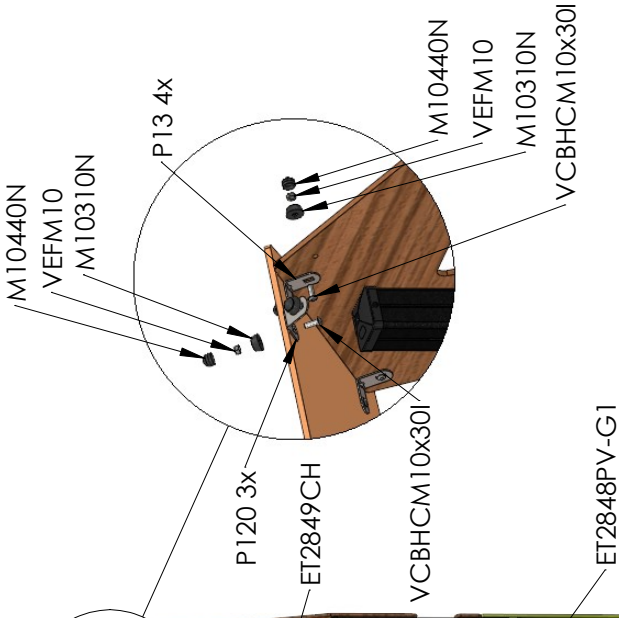
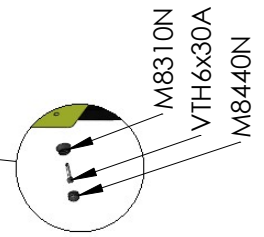
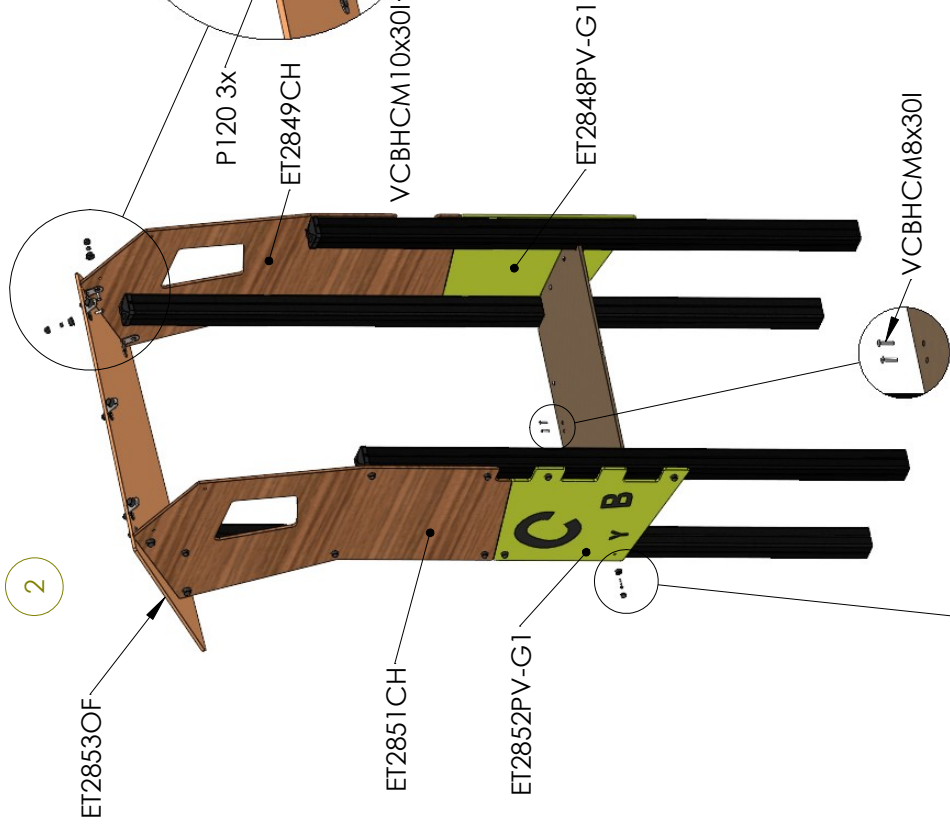


Réf	Qté
ET2848PV-G1	1
ET2849CH	1
ET2851CH	1
ET2852PV-G1	1
ET2853OF	1
ET2854OF	1
FT2847	1
LG3819	1
LG3822	2
LGP2617N	2
LGP29001	2
M8310N	24
M8440N	24
M10310N	28
M10440N	28
MI0001N	4
P13	8
P120	3
RRAV6	8
VCBHCM8x30I	4
VCBHCM10x30I	22
VCBHCM10x70I	6
VEFM10	28
VTH6x30A	24

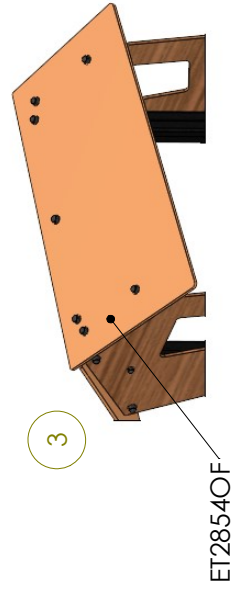
1

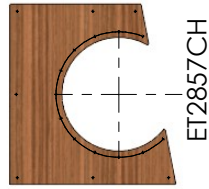
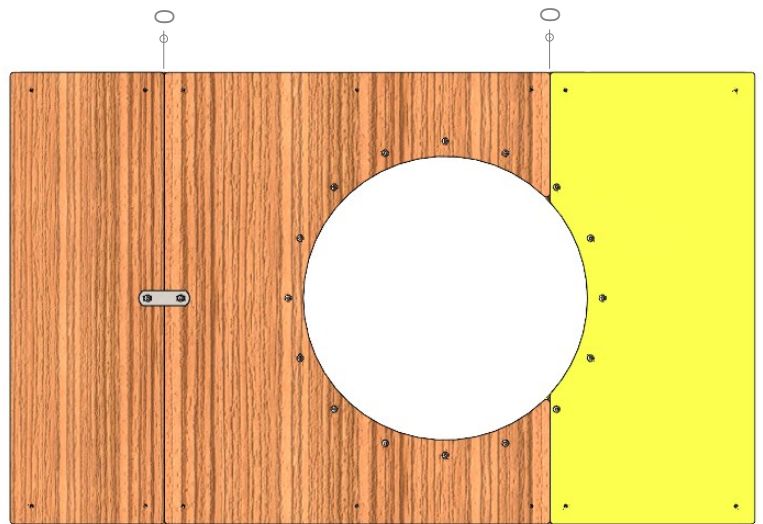
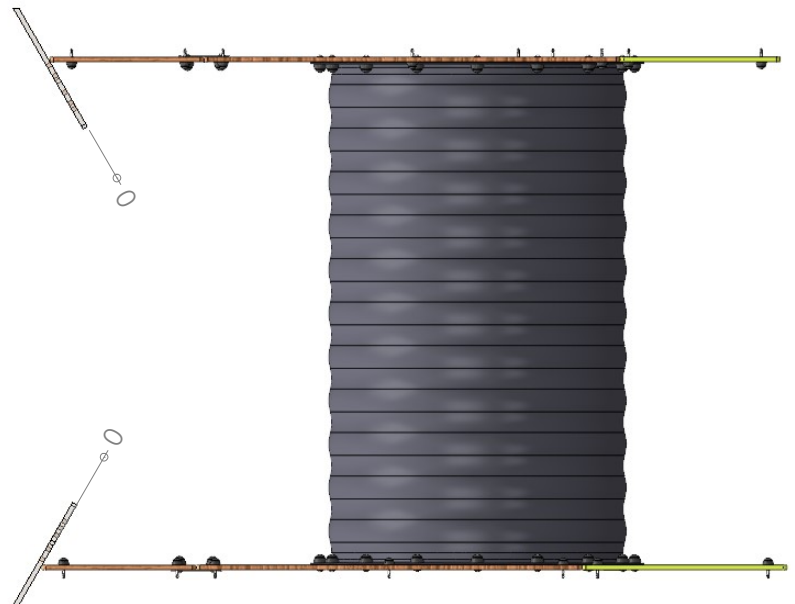
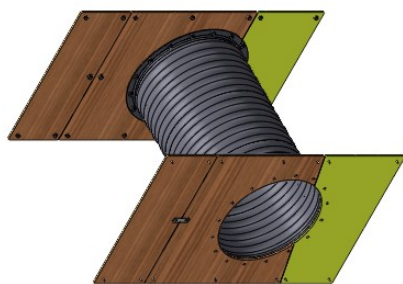


2

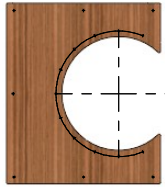


3





ET2857CH



ET2855CH



ET2859CH



ET2856PV



ET2858PV

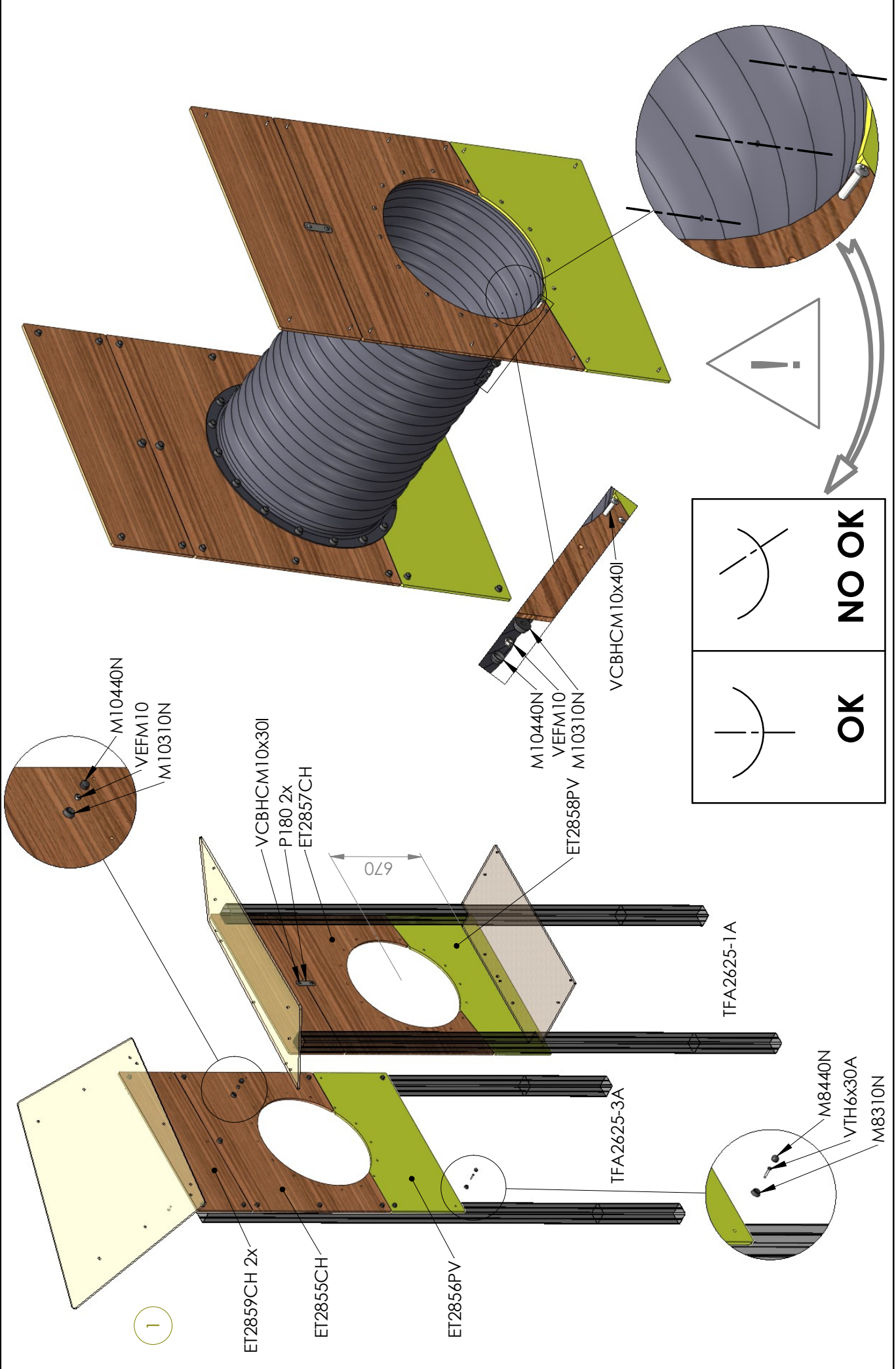


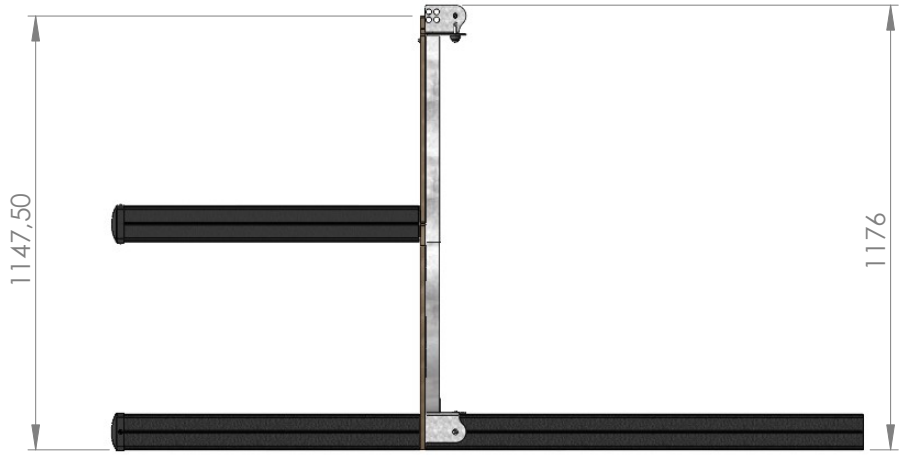
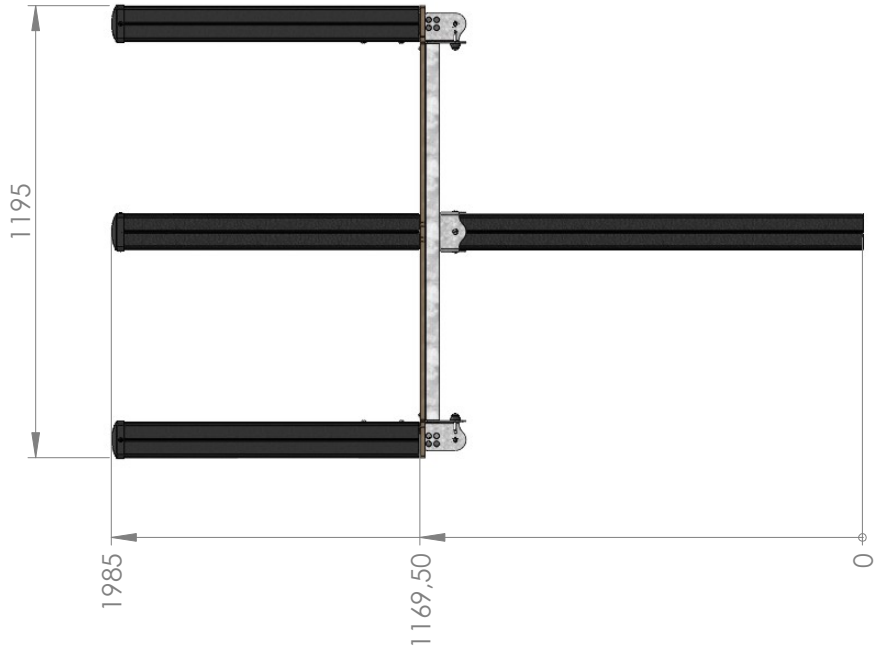
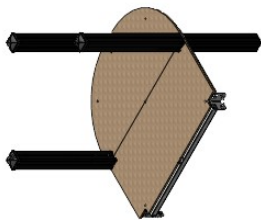
P180



M55113

Réf	Qté
ET2855CH	1
ET2856PV	1
ET2857CH	1
ET2858PV	1
ET2859CH	2
M8310N	28
M8440N	28
M10310N	36
M10440N	36
M55113	1
P180	2
VCBHCM10x30I	4
VCBHCM10x40I	32
VEFM10	36
VTH6x30A	28





LG3816



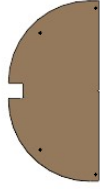
M10001N



FT9791



LG3812



FT3860

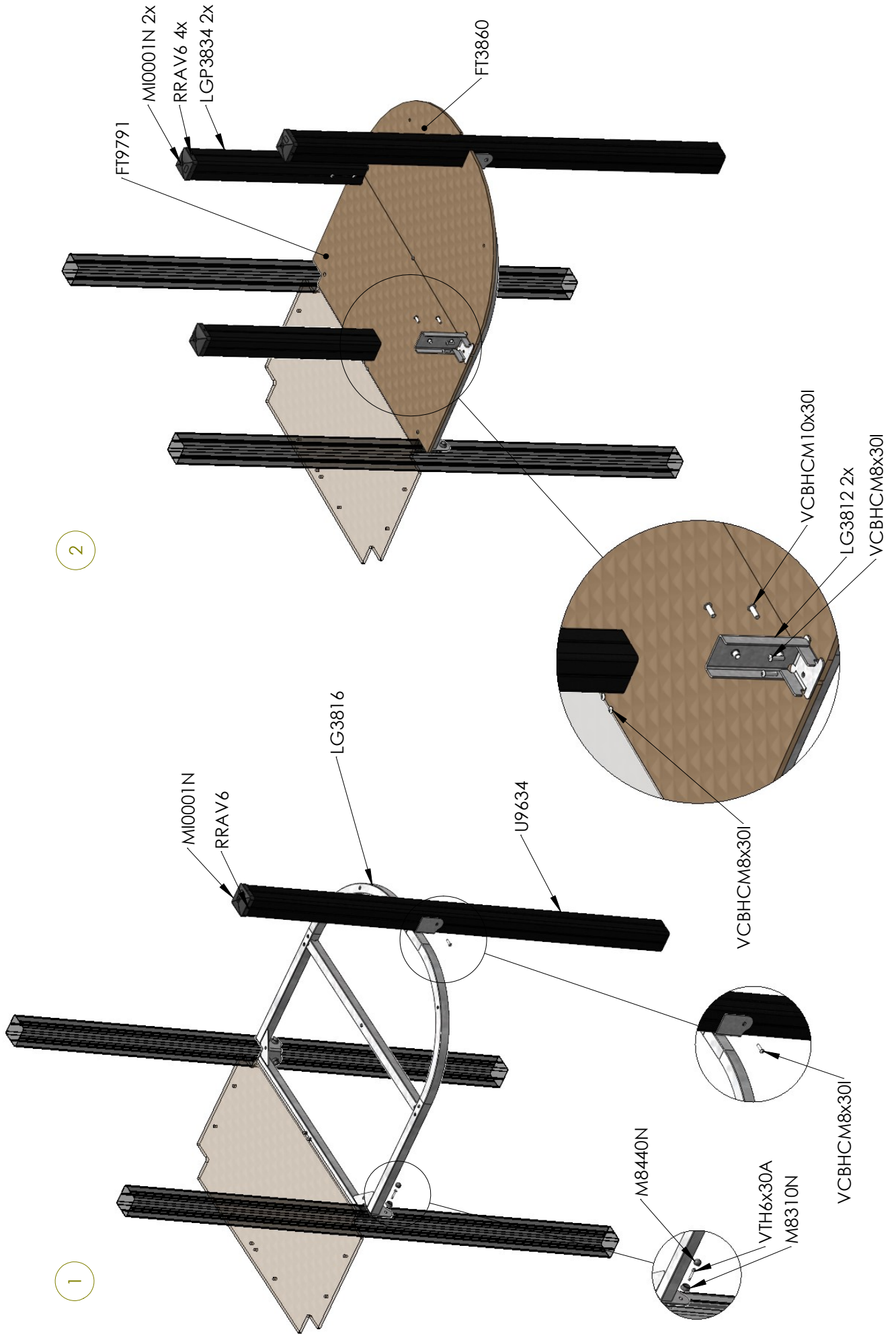


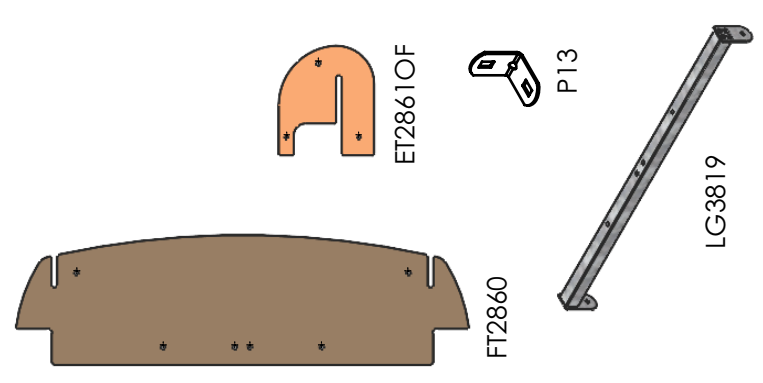
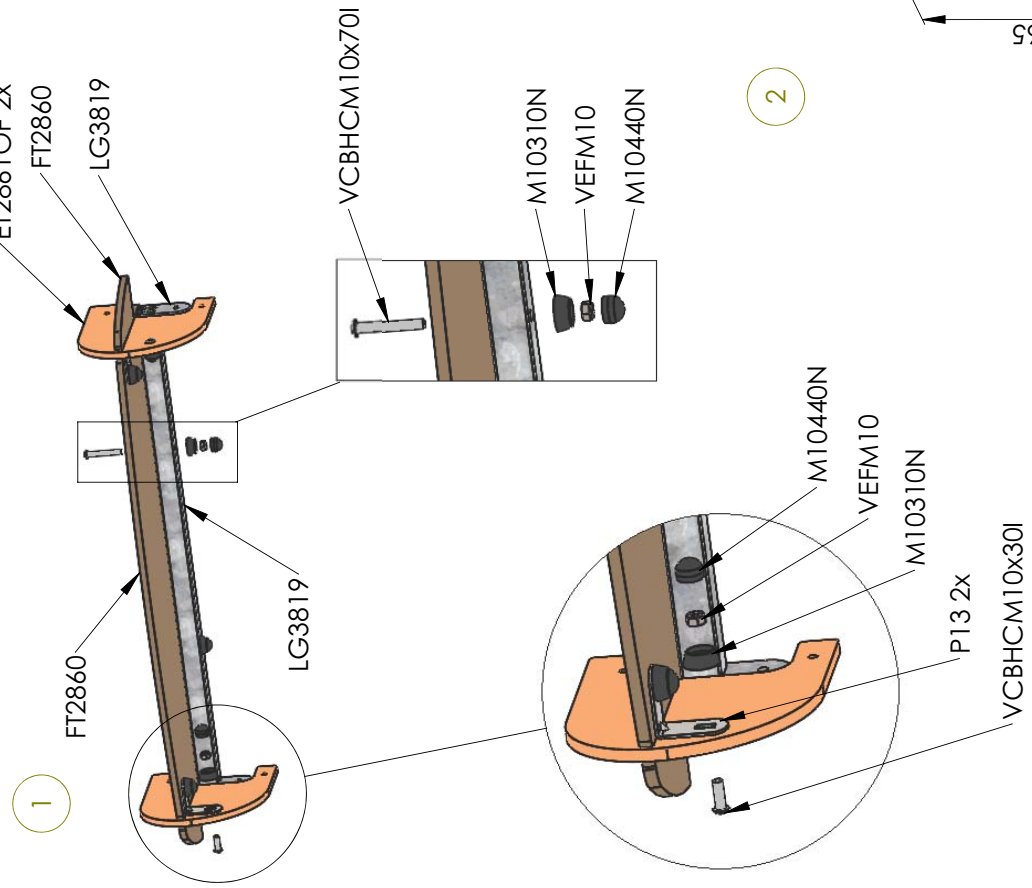
LGP3834



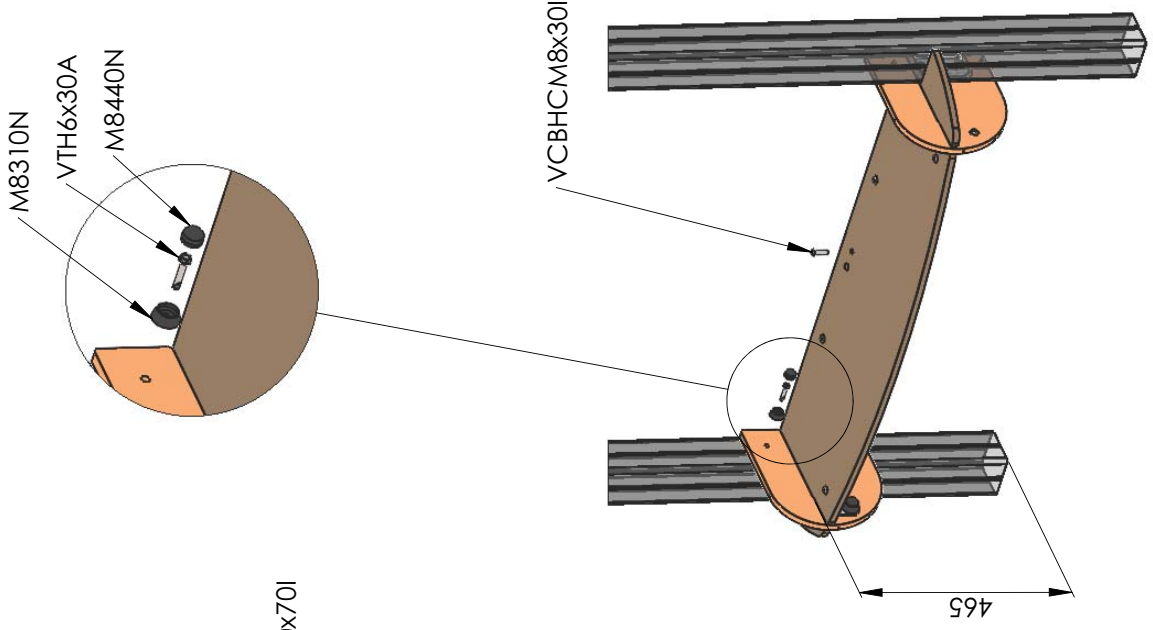
U9634

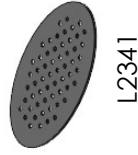
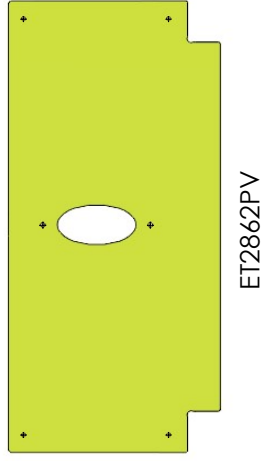
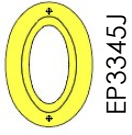
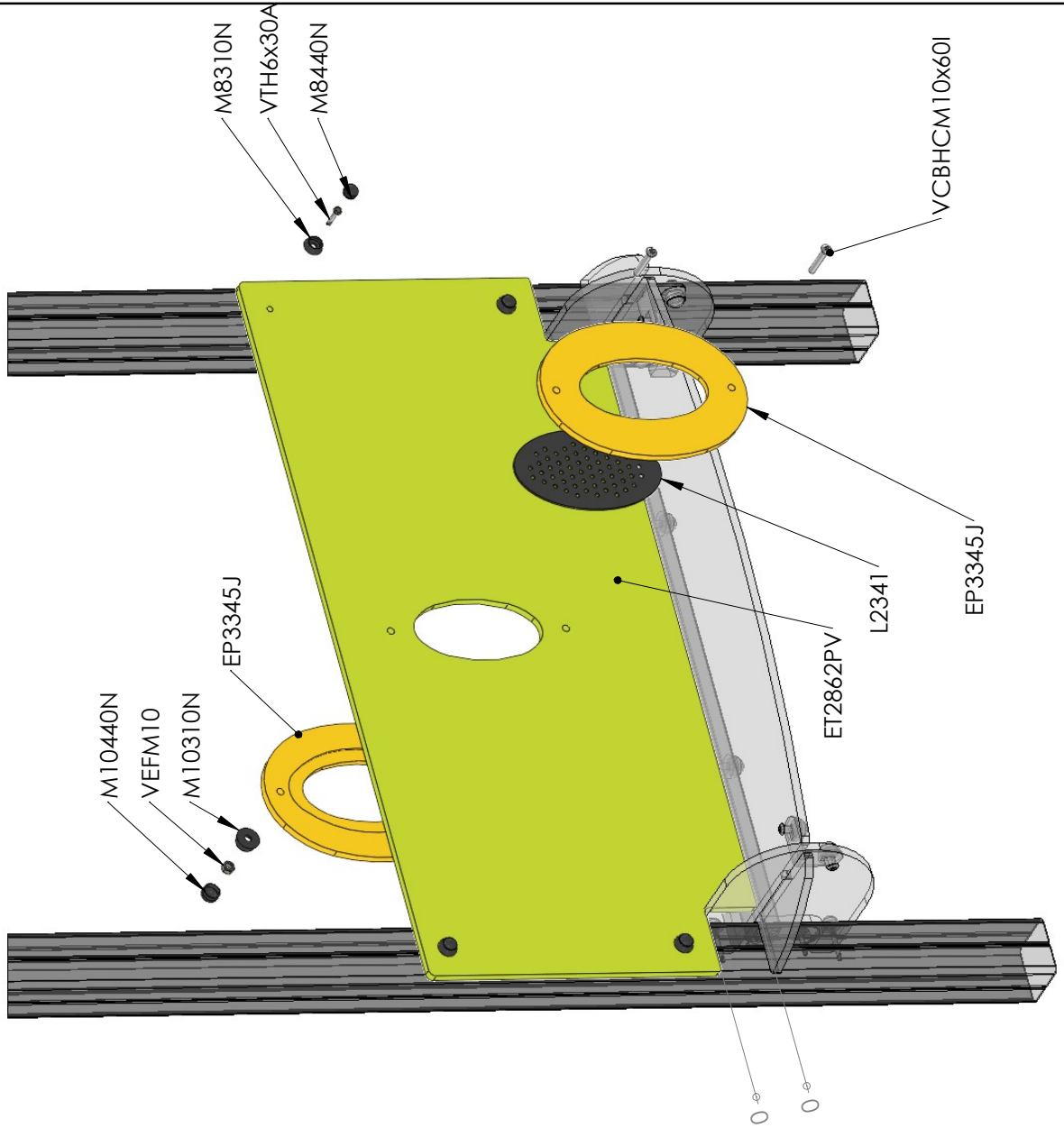
Réf	Qté
U9634	1
FT3860	1
FT9791	1
LG3816	1
LGP3834	2
LG3812	2
M8310N	6
M8440N	6
M10001N	3
RRAV6	6
VCBHC M8x30I	10
VEFM8	2
VTH6x30A	4
VCBHC M10x30I	4



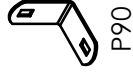
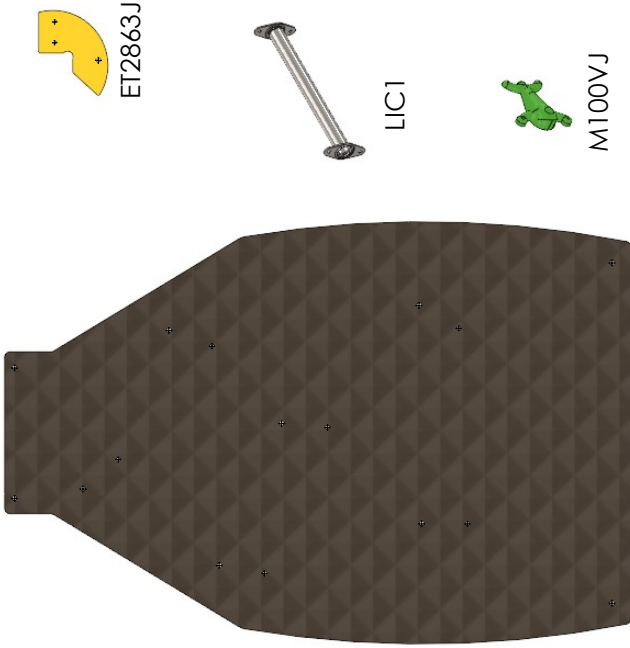
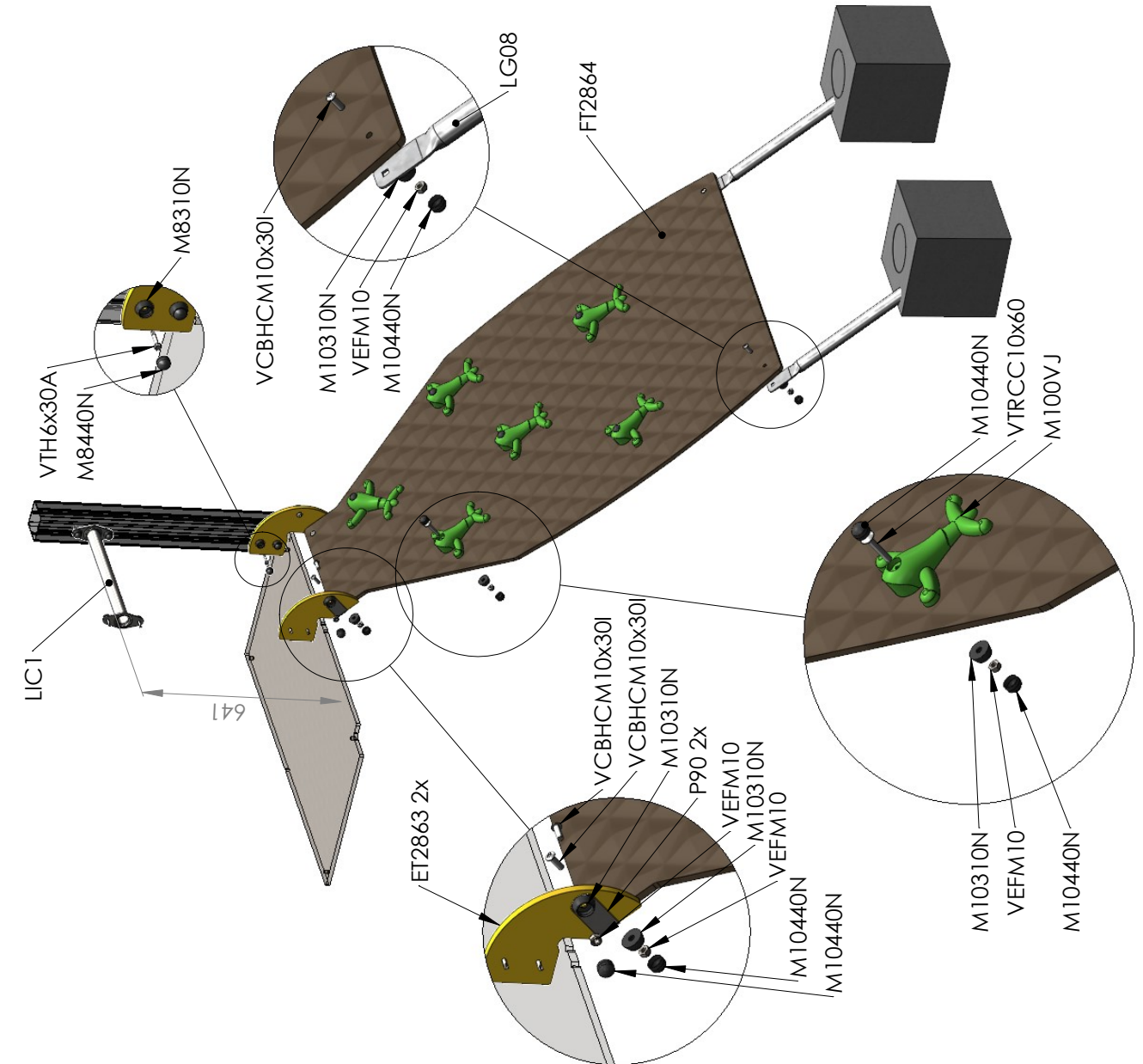


Réf	Qté
ET2861OF	2
FT2860	1
LG3819	1
M8310N	6
M8440N	6
M1031ON	6
M10440N	6
P13	2
VCBHC8x30I	2
VCBHC10x30I	4
VCBHC10x70I	2
VEFM10	6
VTH6x30A	6

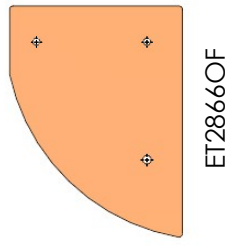
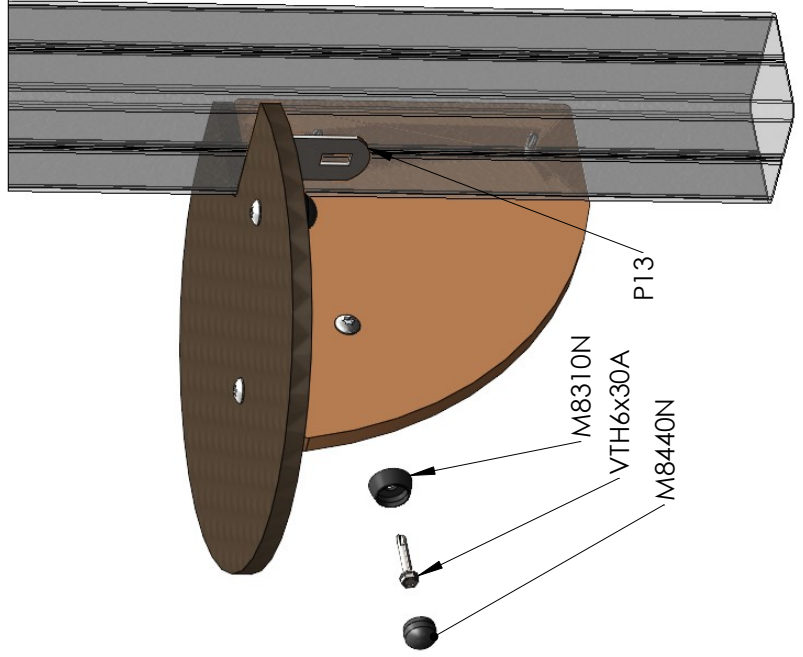
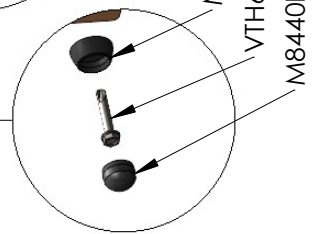
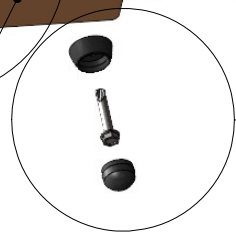
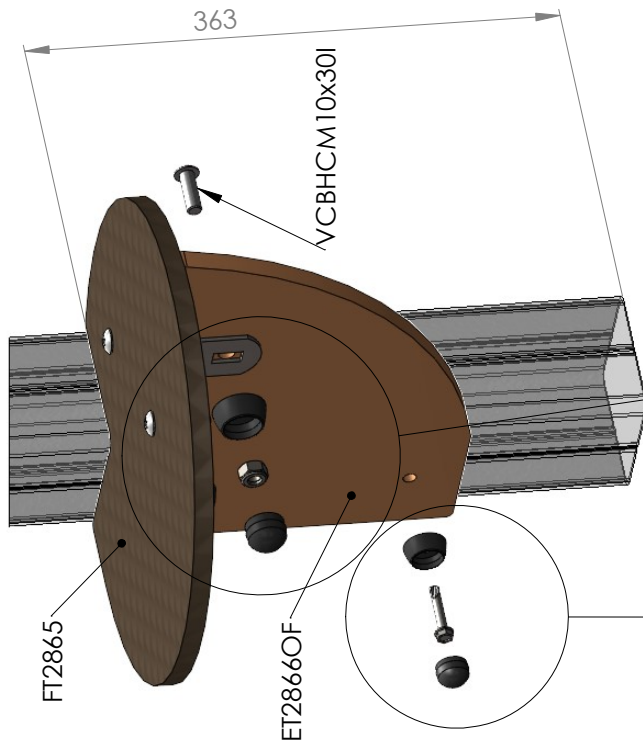




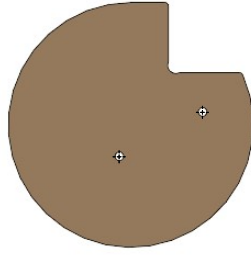
Réf	Qté
EP3345J	2
ET2862PV	1
L2341	1
M8310N	4
M8440N	4
M10310N	2
M10440N	2
VCBHCM10x60I	2
VEFM10	2
VTH6x30A	4



Réf	Qté
ET2863J	2
FT2864	1
LIC1	1
M1000VJ	6
M8310N	8
M8440N	8
M10310N	12
M10440N	18
P90	2
QD3	2
VCBHCM10x30I	6
VEFM10	12
VTH6x30A	8
VTRCC10x60	6



ET2866OF

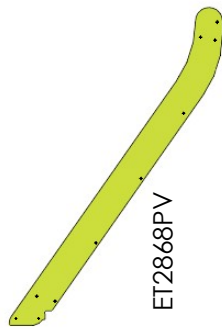
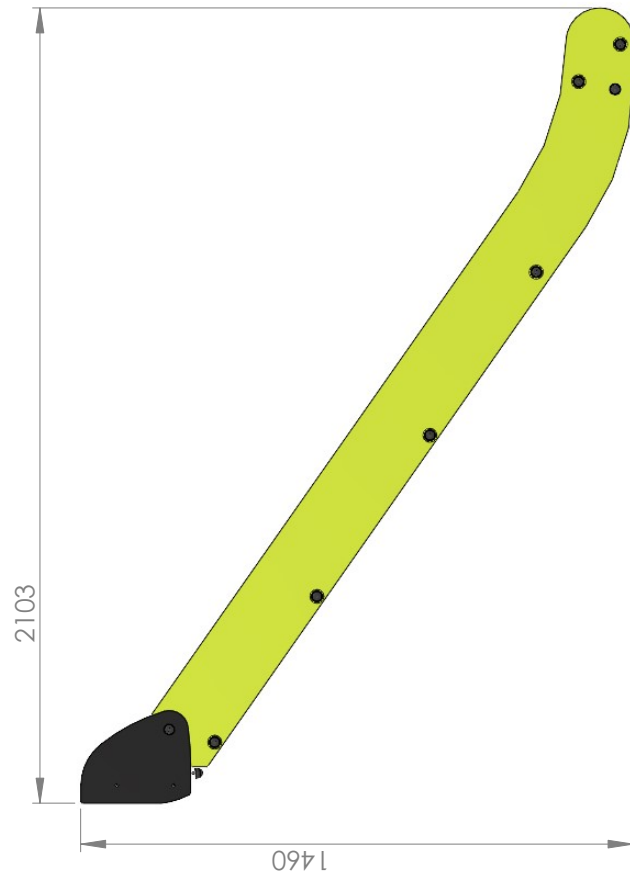
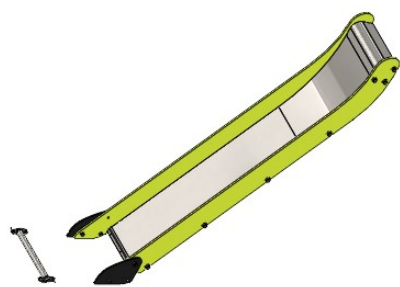


FT2865



P13

Réf	Qté
ET2866OF	1
FT2865	1
M8310N	3
M8440N	3
M10310N	3
M10440N	3
P13	2
VCBHCM10x30I	3
VEFM10	3
VTH6x30A	3



ET2868PV



EP3876N



LI9204



LI2629

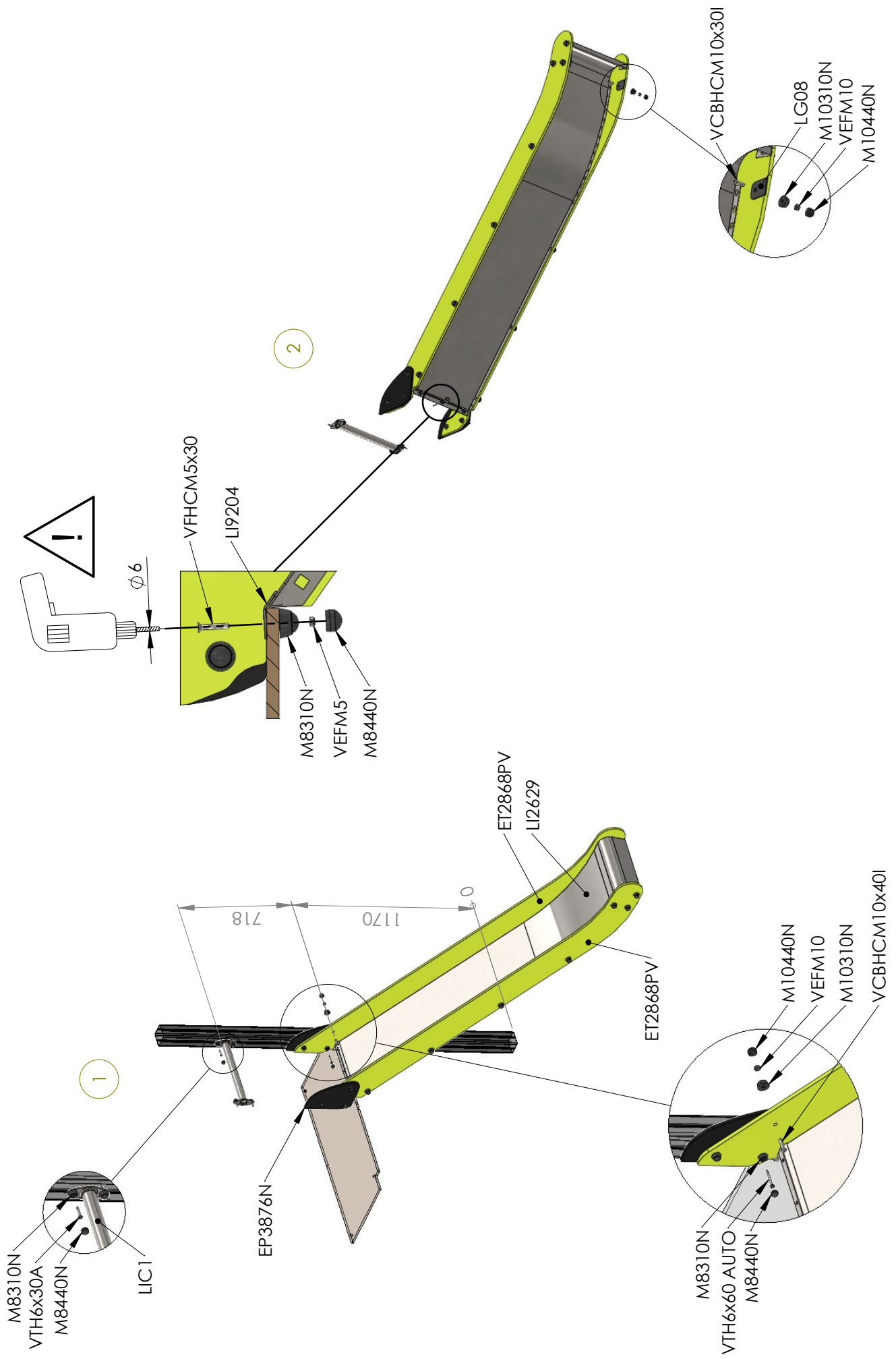


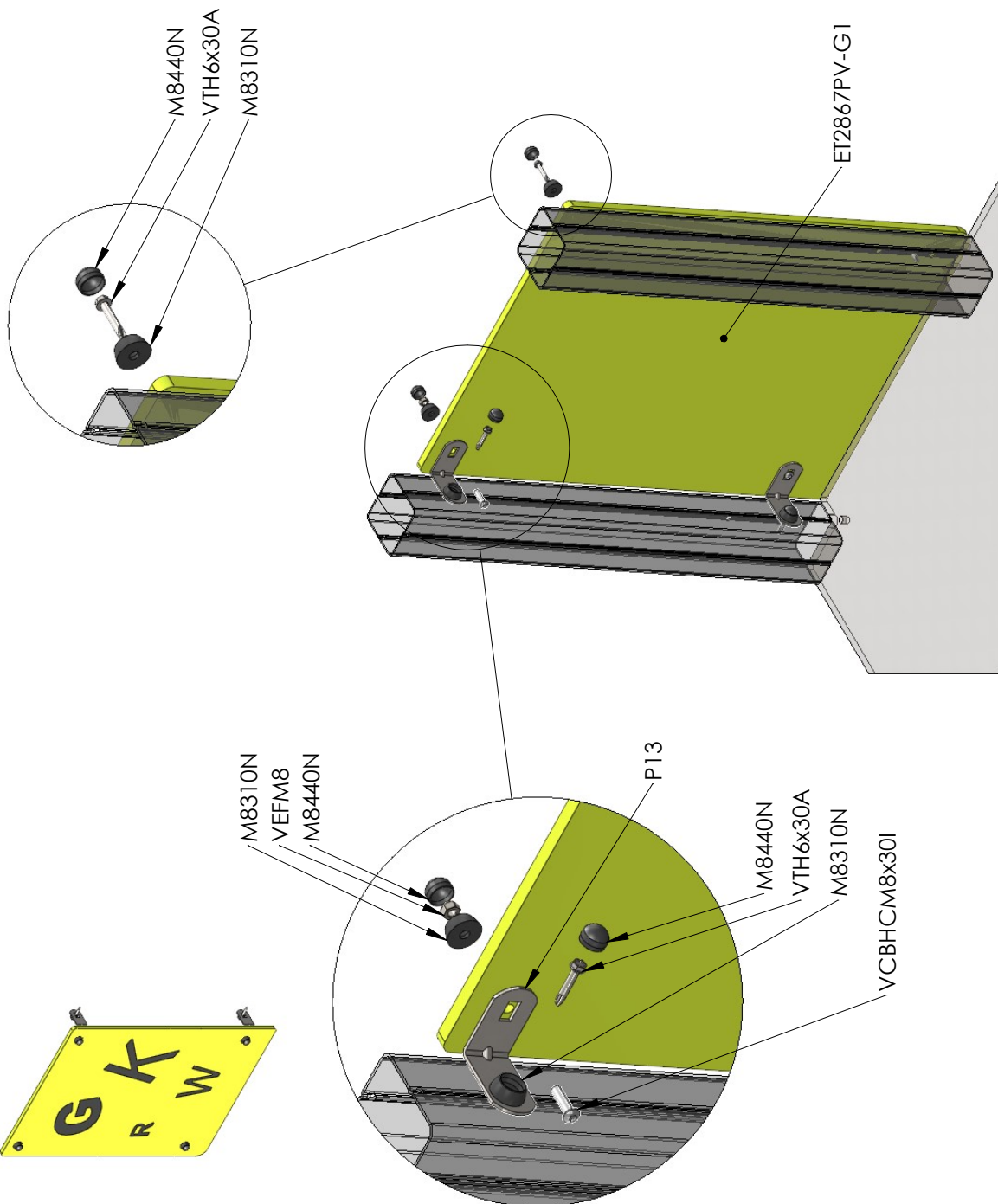
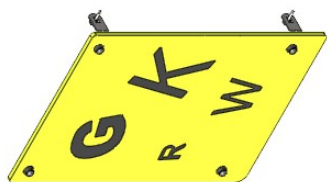
LIC1



LG08

Réf	Qté
EP3876N	2
ET2868PV	2
LG08	2
LI2629	1
LI9204	1
LIC1	1
M8310N	11
M8440N	11
M10310N	16
M10440N	16
VCBHC M10x30I	14
VCBHC M10x40I	2
VEFM5	3
VEFM10	16
VFHCM5x30	3
VR6x18	3
VTH6x30A	4
VTH6x60 AUTO	4





ET2867PV-G1

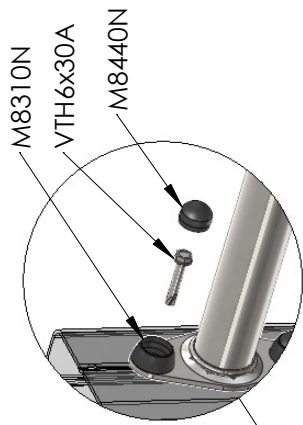


P13

Réf	Qté
ET2867PV-G1	1
M8310N	6
M8440N	6
P13	2
VCBHC M8x30I	2
VEFM8	2
VTH6x30A	4



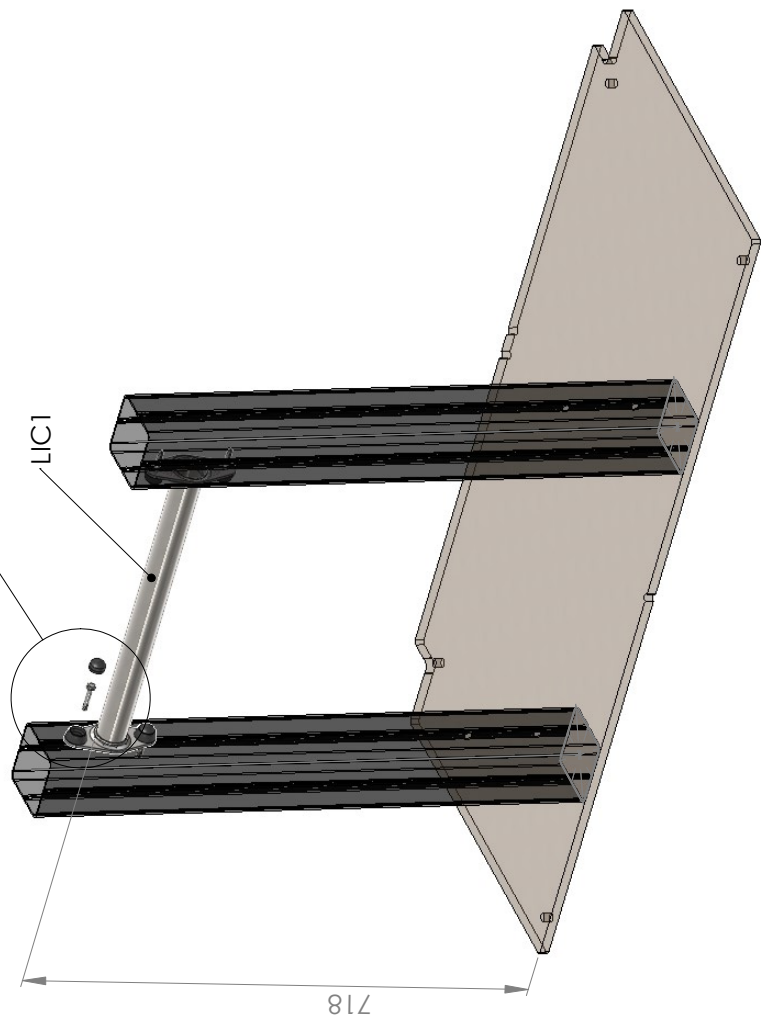
LIC1



M8310N

VTH6x30A

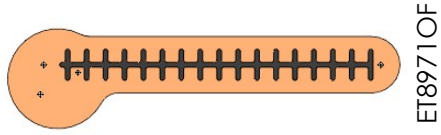
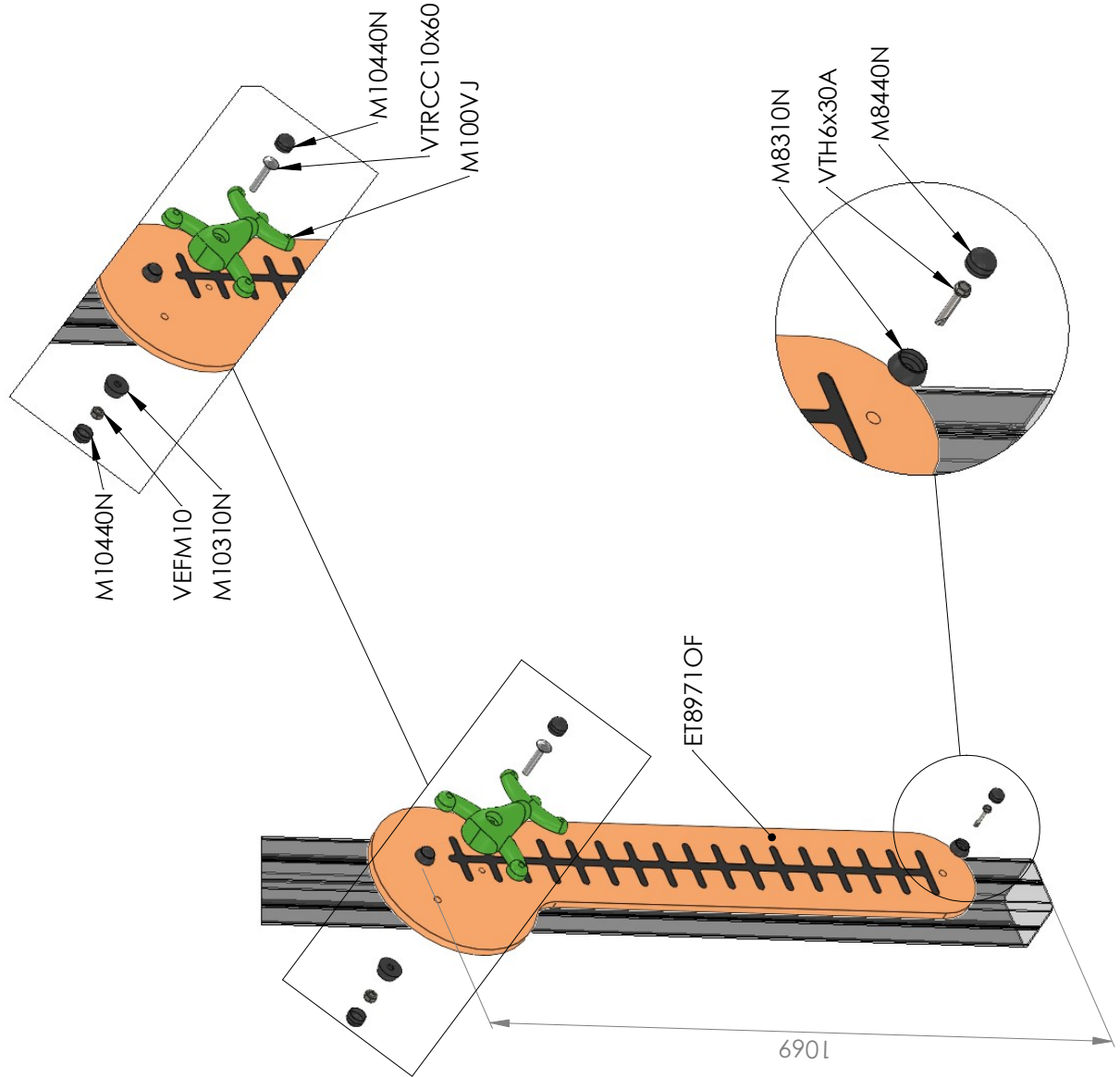
M8440N



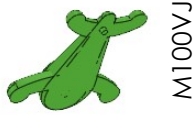
LIC1

718

Réf	Qté
LIC1	1
M8310N	4
M8440N	4
VTH6x30A	4

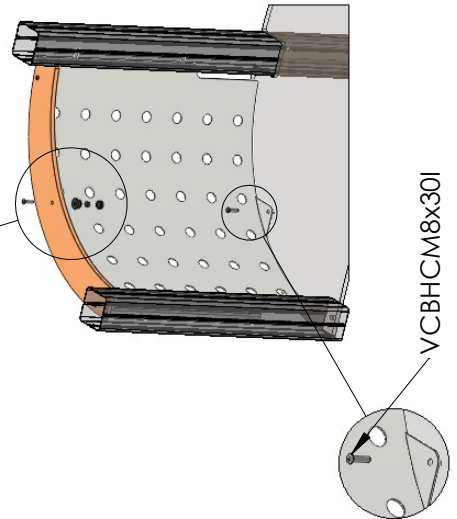
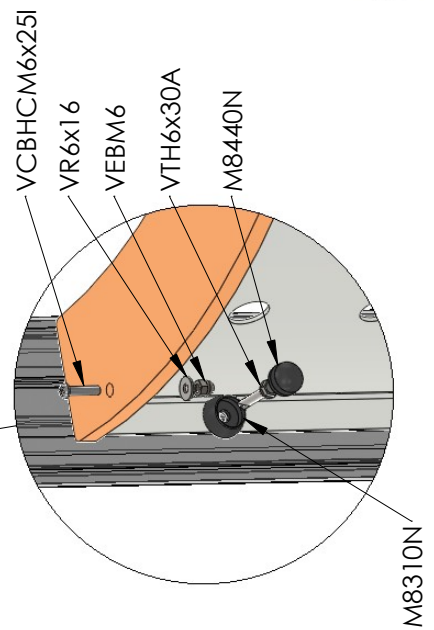
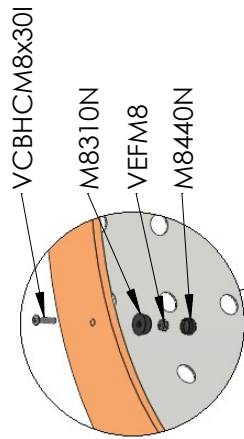
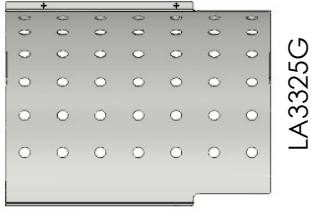
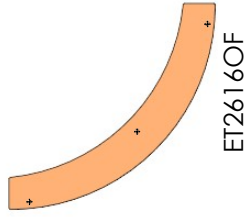
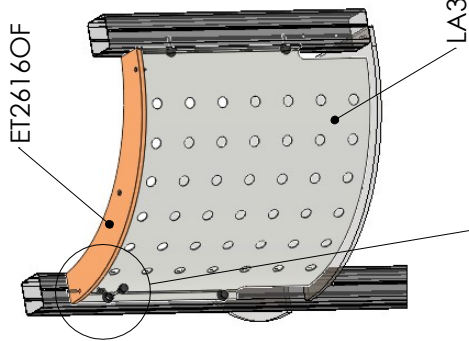


ET8971OF

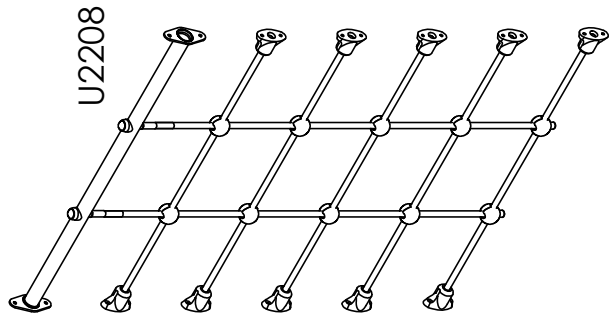
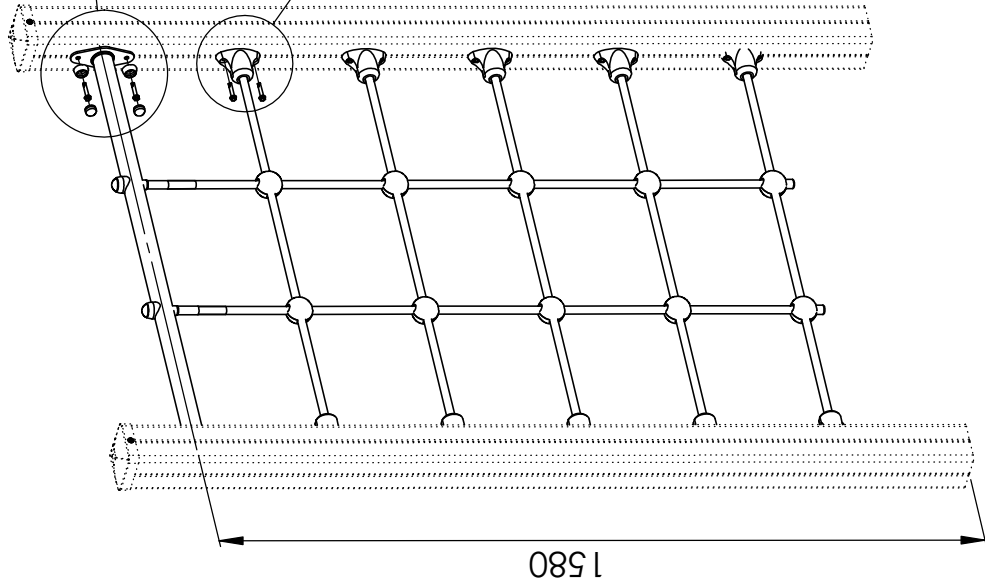


M100VJ

Réf	Qté
ET8971OF	1
M100VJ	1
M8310N	2
M8440N	2
M10310N	1
M10440N	2
VEFM10	1
VTH6x30A	2
VTRCC10x60	1



Réf	Qté
ET2616OF	1
LA3325G	1
M8310N	5
M8440N	5
VCBHC6x25I	2
VCBHC8x30I	2
VEBM6	2
VEFM8	1
VR6x16	2
VTH6x30A	4



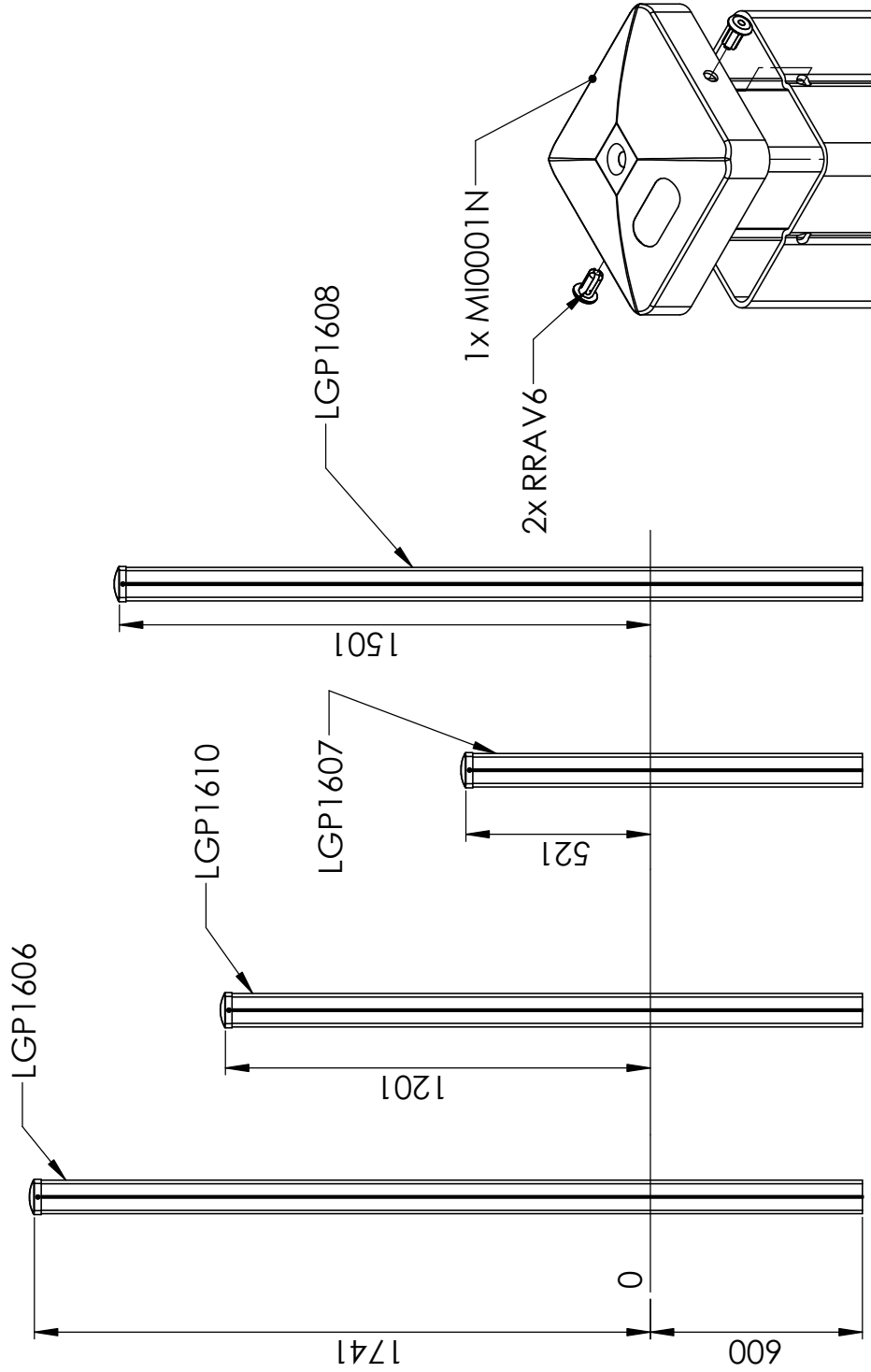
M8310N	4
M8440N	4
U2208	1
VTH6x30A	24

G1632A-M

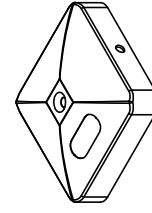
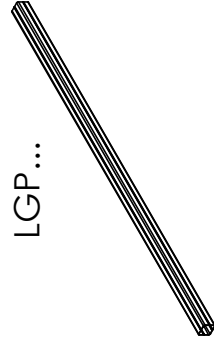
G1633A-M

G1634A-M

G1635A-M

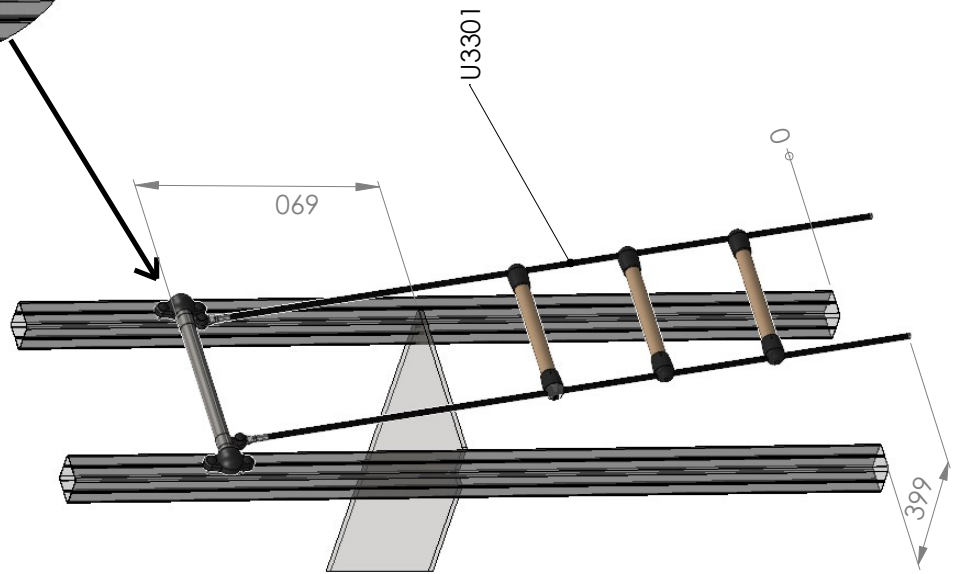
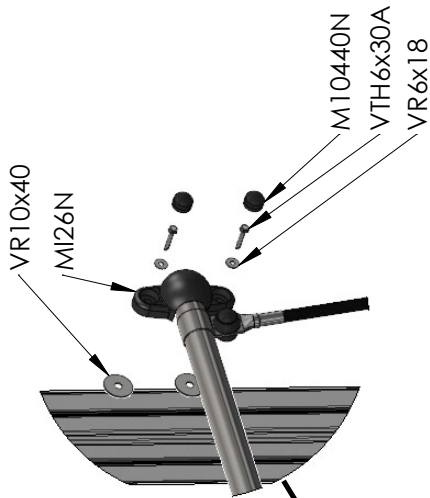


LGP...



MI0001N

MI0001	1
RRAV6	2



Réf	Qté
M10440N	4
MI26N	2
U3301	1
VR6x18	4
VTH6x30A	4