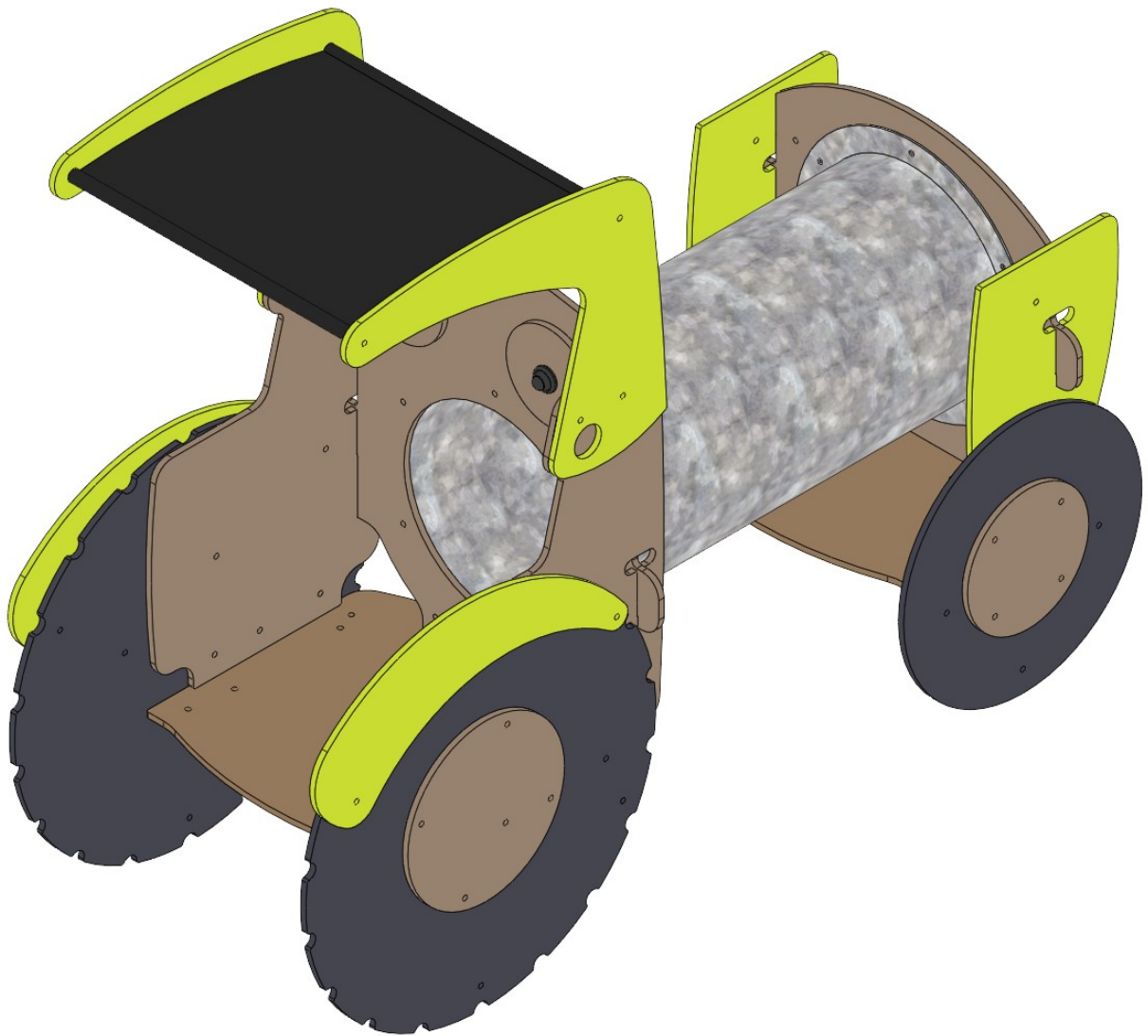


J2623

ProLudic





ProLudic

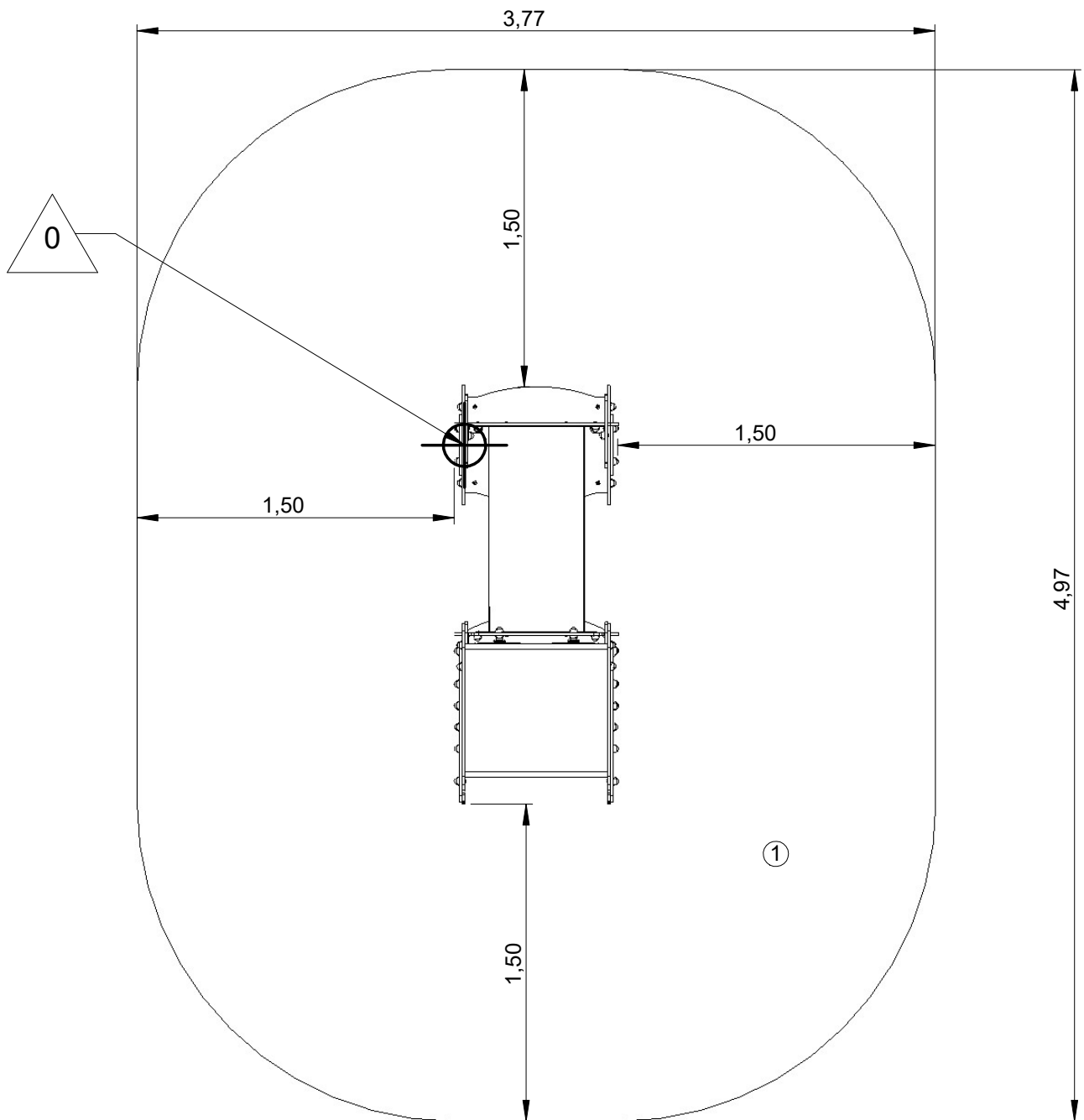
N°		
1	0.6 m	17 m ²

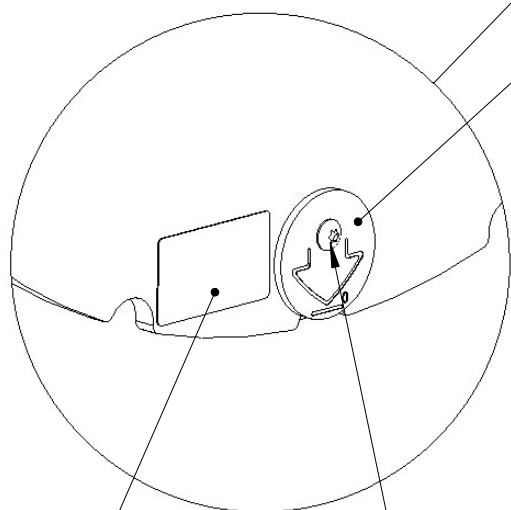
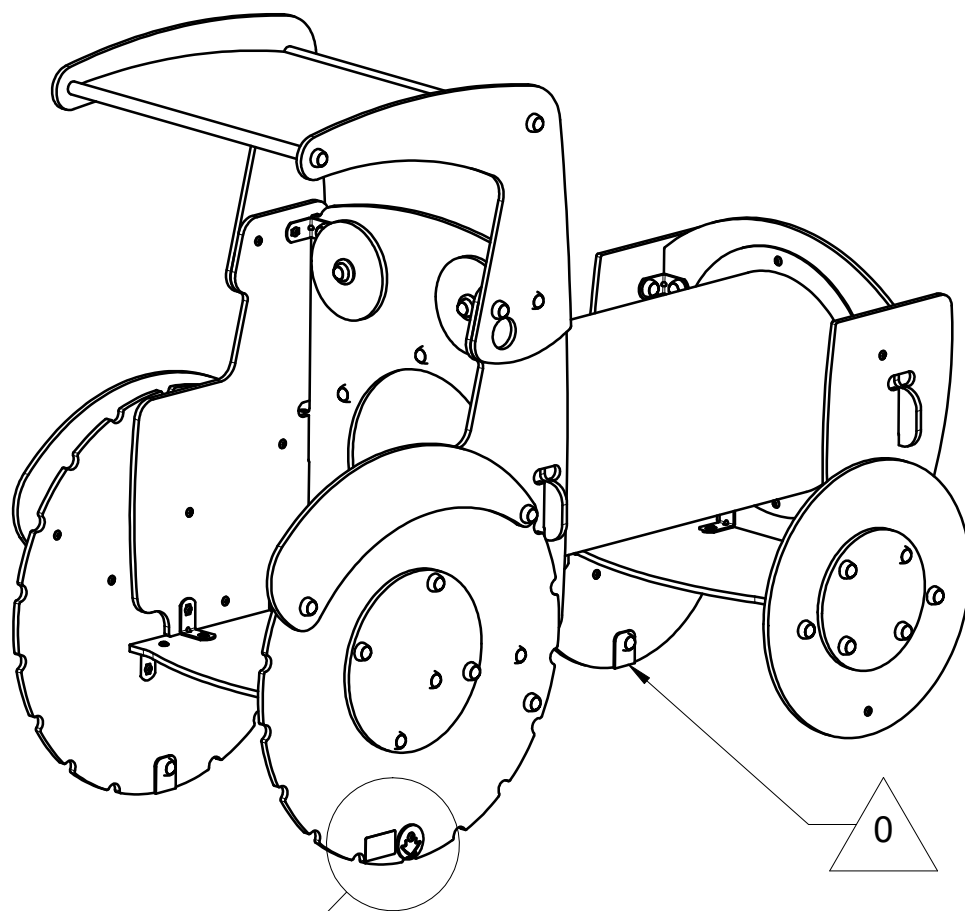
— Zone d'impact
Impact area
Area de impacto
Fallraum
Valzone



Point de référence
Setting out point
Punto de referencia
Bezugspunkt
Referentiepunt

EN1176-1:2017

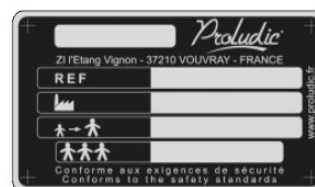




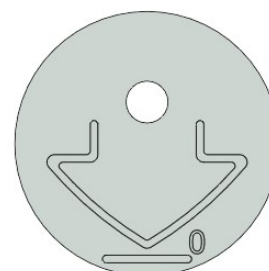
MI0002

LA000

VCBHCM10x30I
M10310N
VEFM10
M10440N



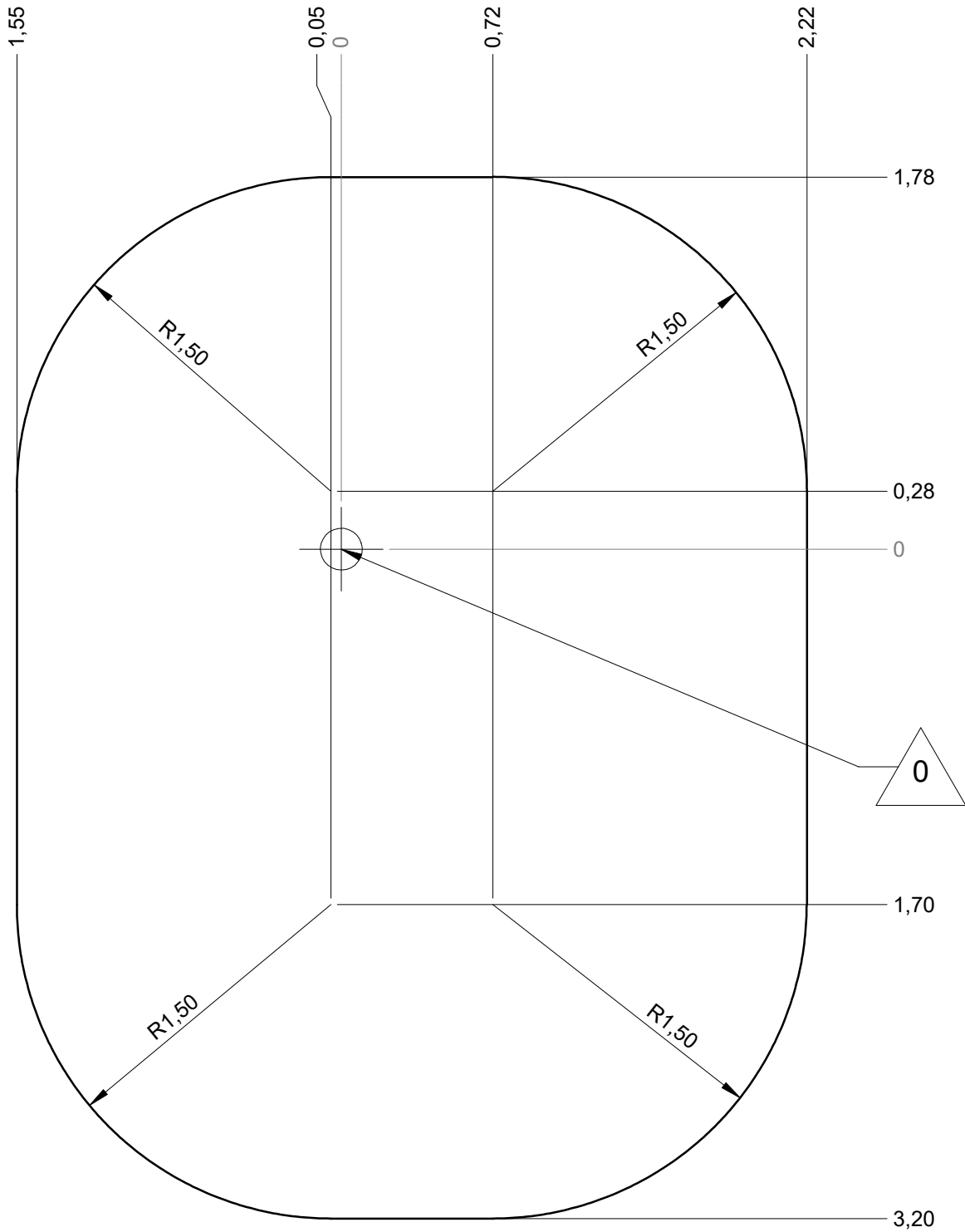
LA000



MI0002

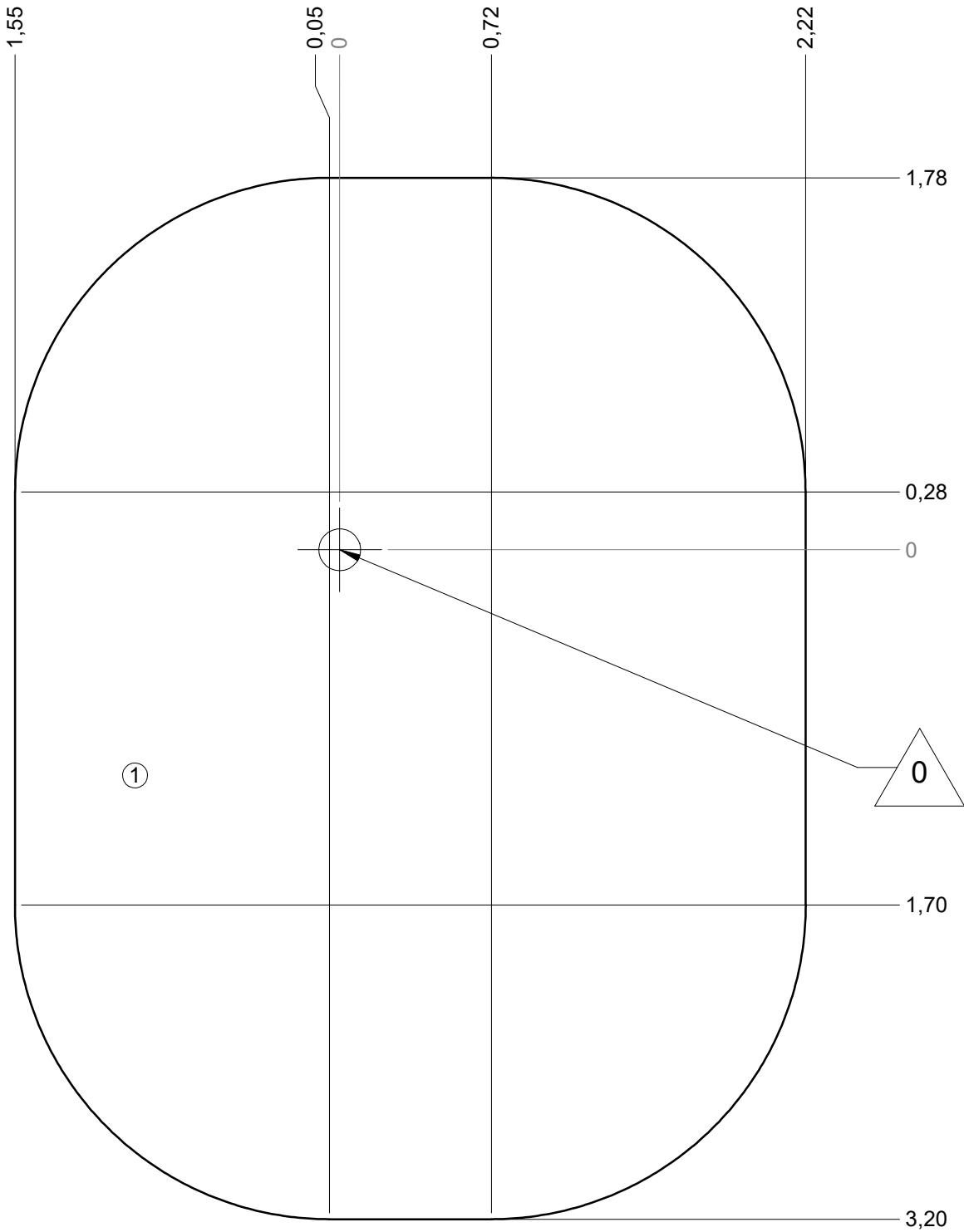
— Zone d'impact
Impact area
Area de impacto
Fallraum
Valzone

17 m²



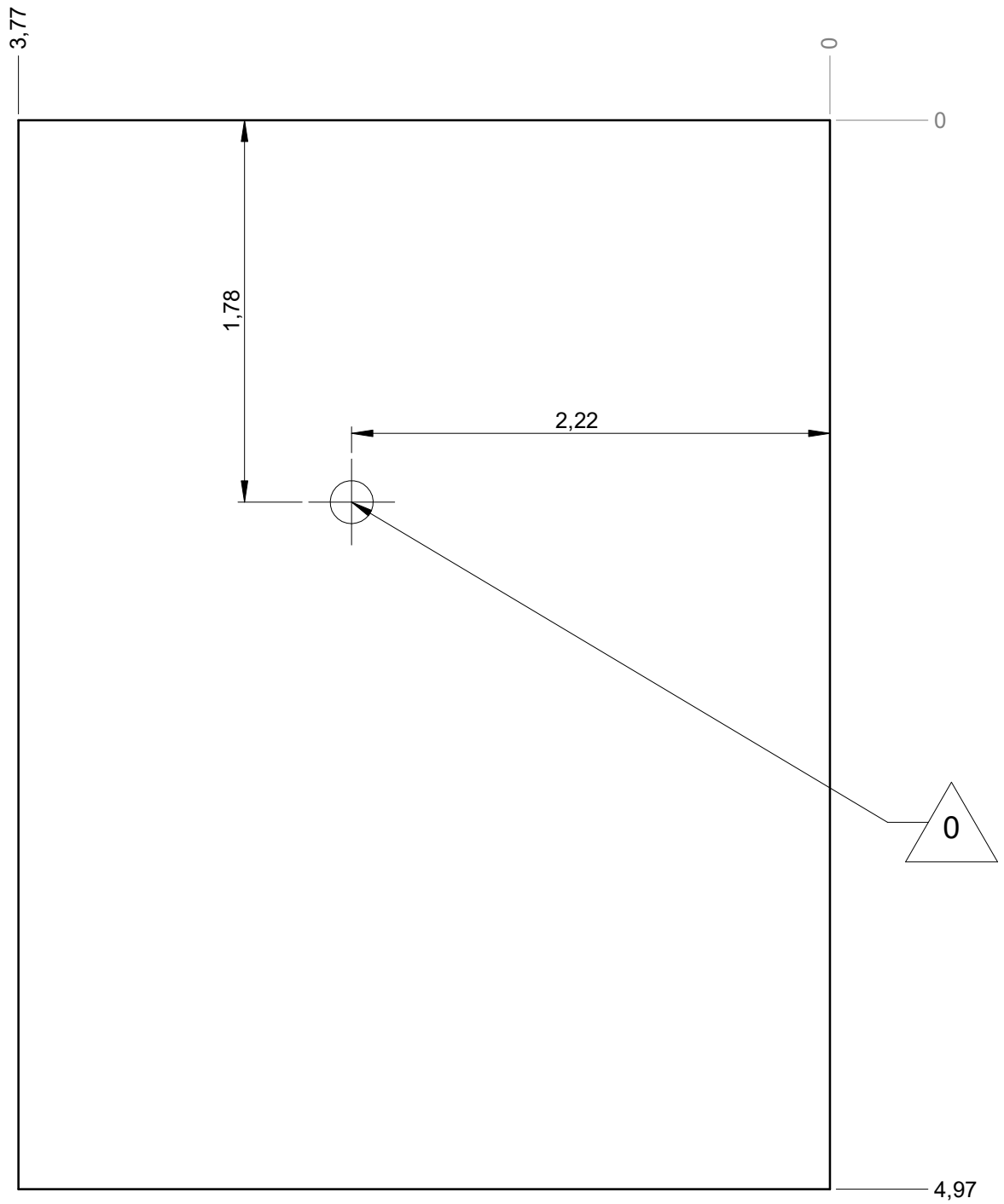
— Sol souple
Wetpour
Caucho continuo
Synthetischer Fallschutz
Gietvloer

17 m²

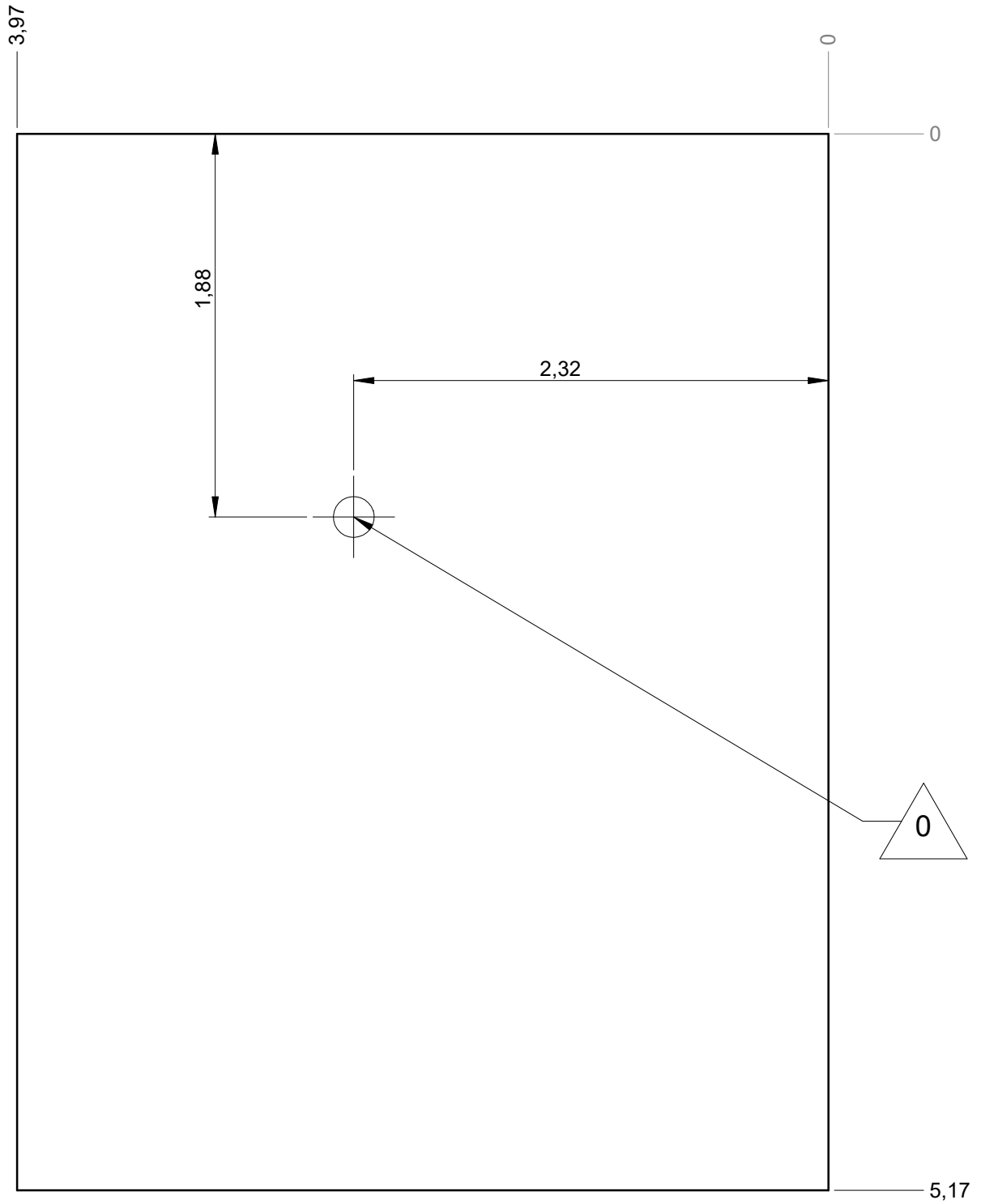


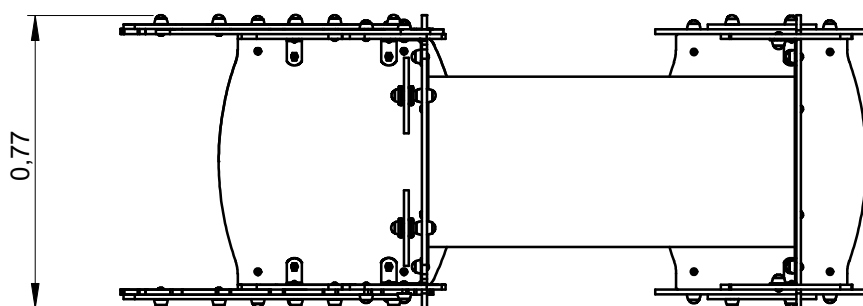
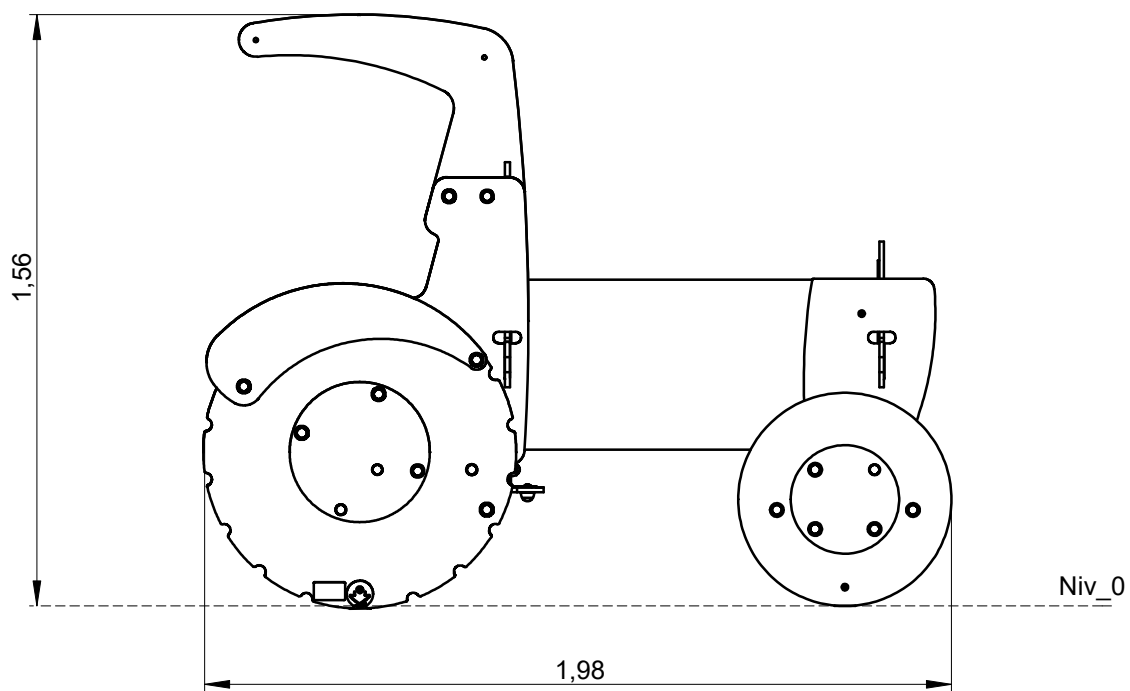
— Dalle béton
Concrete pad
Solera de hormigon
Beton Bodenplatte
Betonnen bodemplaat

18 m
19 m²

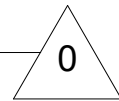
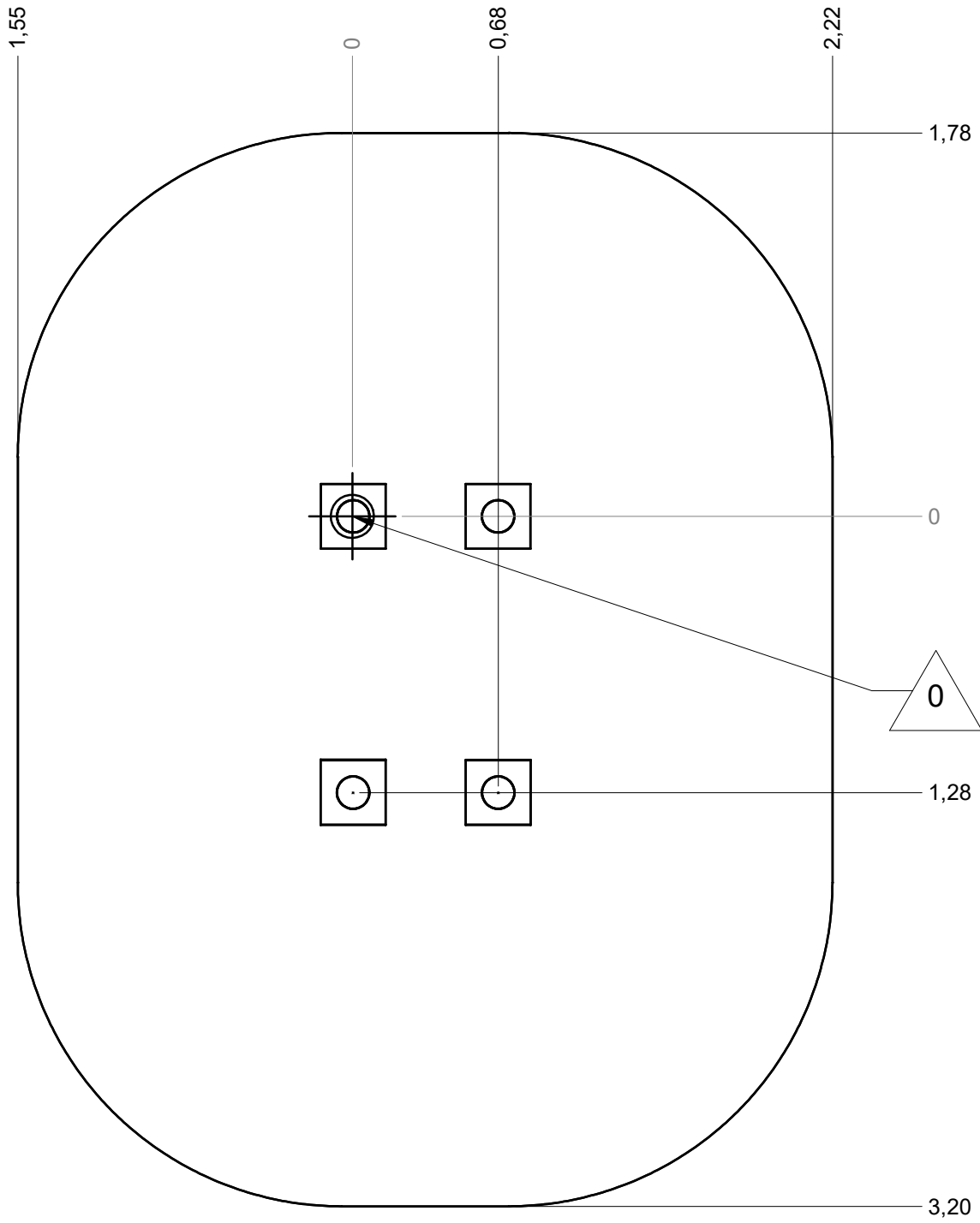


— Sol fluent
Loos partucule material 19 m
Arenero
Loses Bodenmaterial 21 m²
Los bodemateriaal

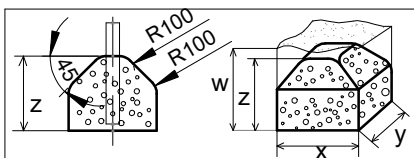




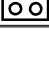


Implantation
 Footing plan
 Implantación
 Fundamentplan
 Funderingstekening



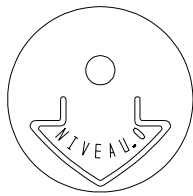
 x2
 3H
 0.2 m³



	x	y	z	w
	0.3	0.3	0.3	0.6
	0.4	0.4	0.3	0.6
	0.6	0.3	0.3	0.6

A

Proludic



MI0002

VCBHCM10

M10310N
VEFM10
M10440N

LG08

M10440N
VEFM10
MI2503

LG3802

M10440N
VTH10*80
MI2503

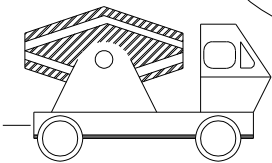
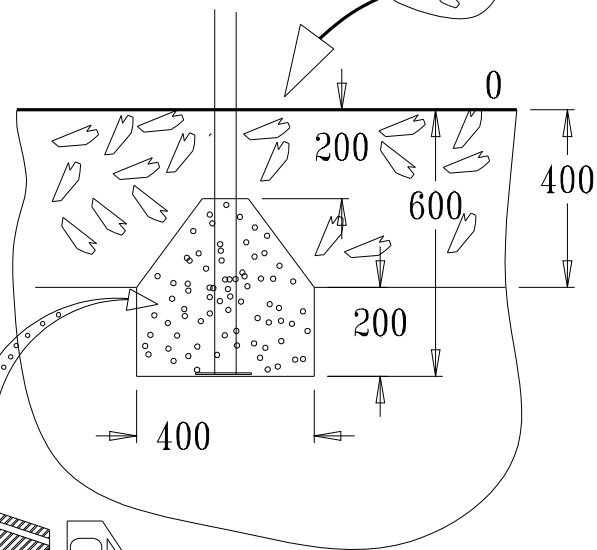
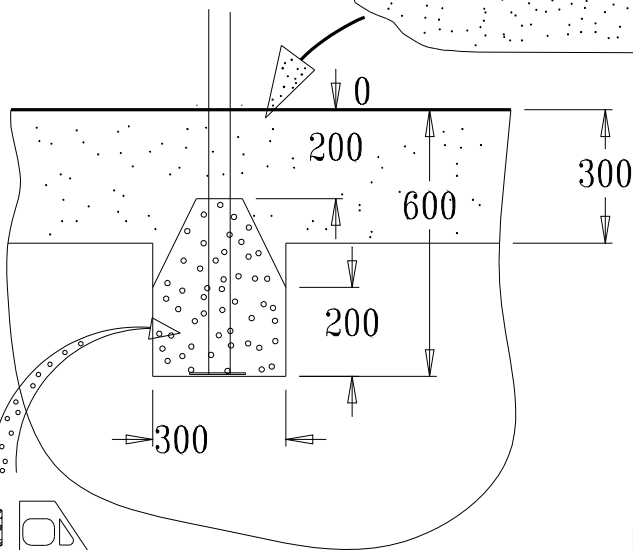
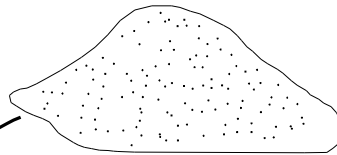
LG3804



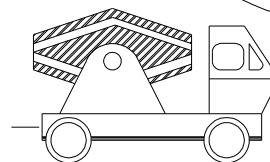
> 1500 Kgs/M³



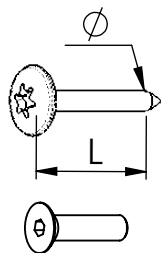
< 1500 Kgs/M³



50 Kgs



90 Kgs



VBT 6 x 30
 \varnothing \uparrow L (mm)

VFHC



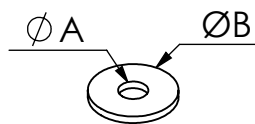
VEC M10
 \varnothing



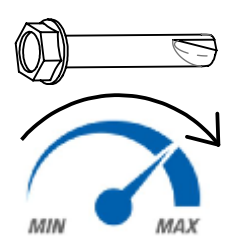
VEF




VEB



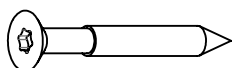
VR6x18
 $\varnothing A$ $\varnothing B$



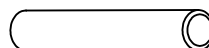
VTHA 

1000 - 1800 tr/min
 Vitesse de rotation
 Rotation speed

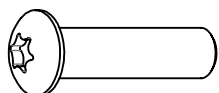
14 N.m
 Couple de rupture
 Torque of break



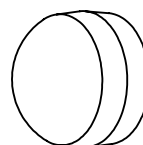
VWT



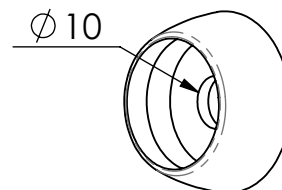
VGC



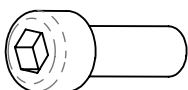
VCBHC



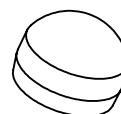
M10 440N



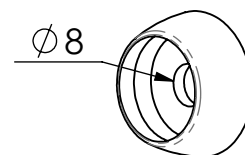
M10 310 N



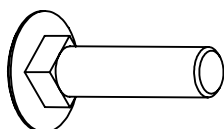
VBTR



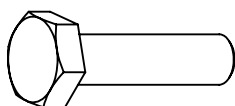
M8440N



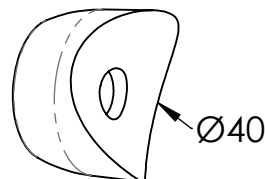
M8310N



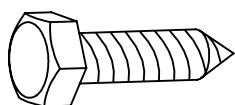
VTRCC



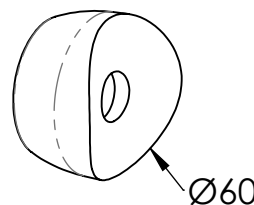
VTH



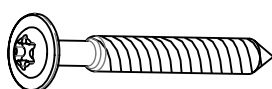
MI2503



VTF

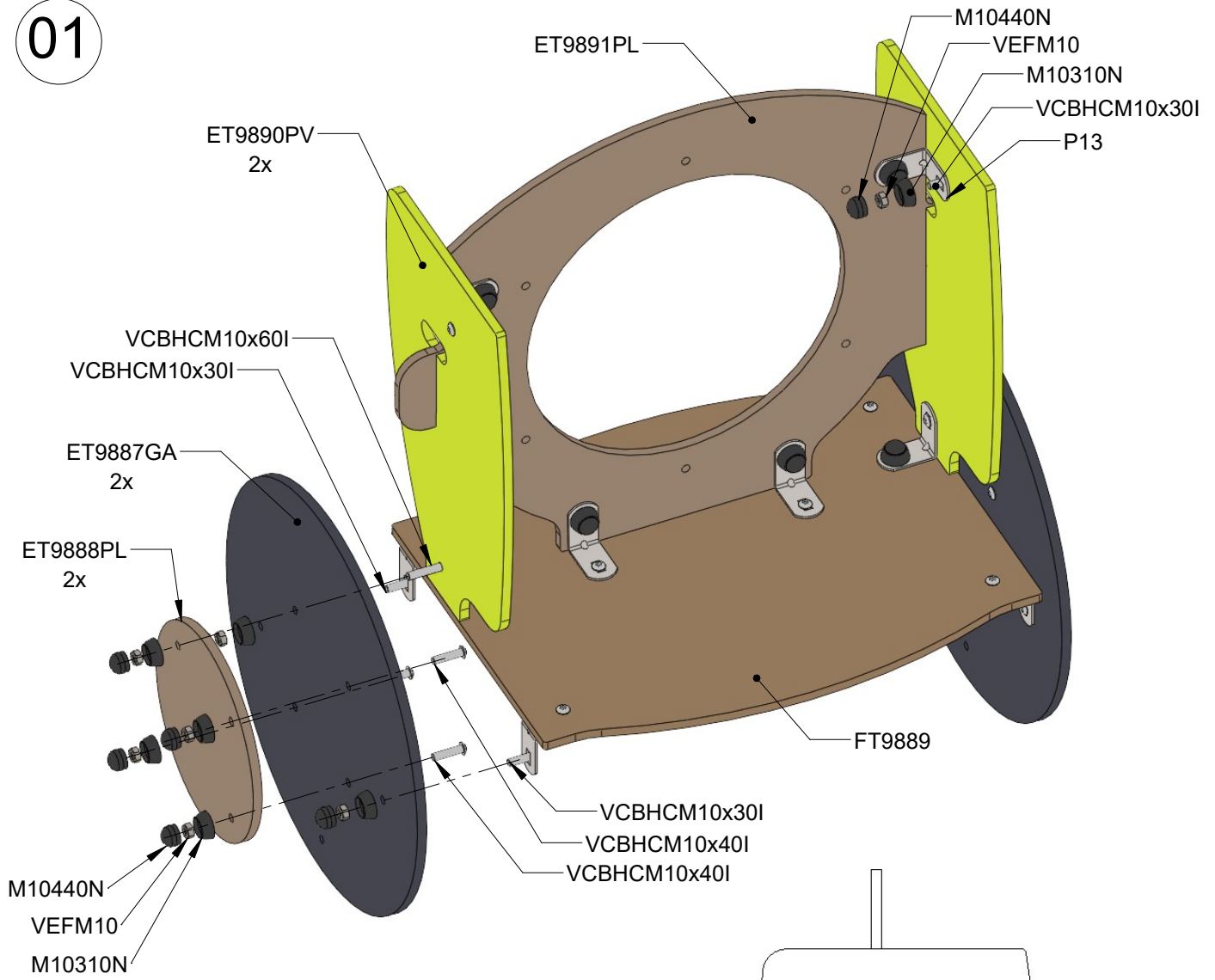


MI2701

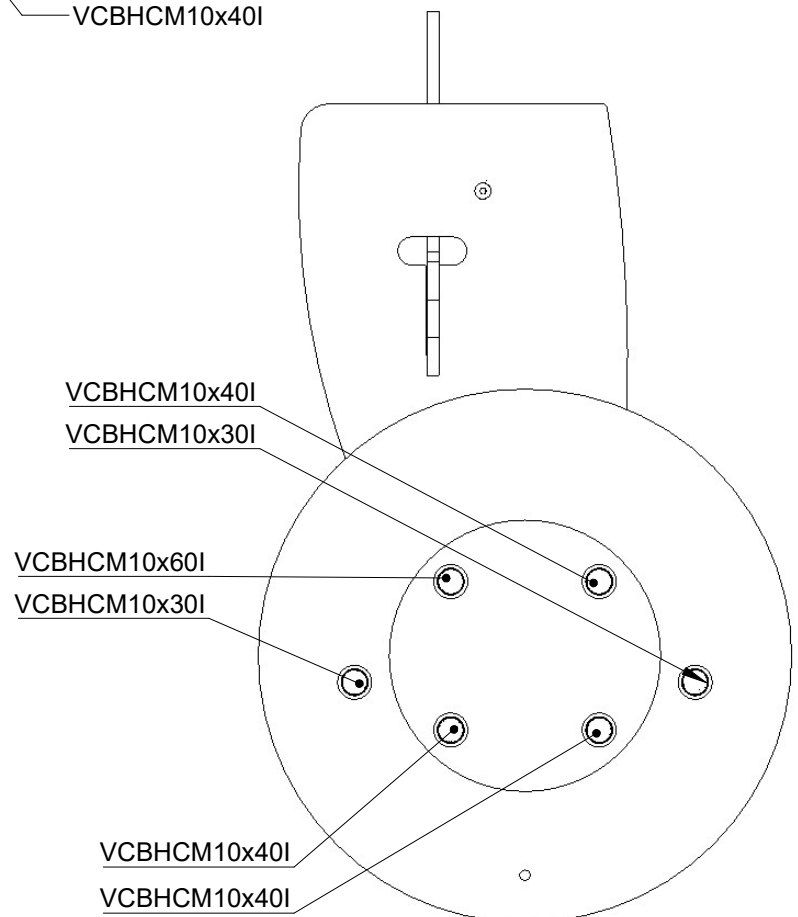


VBT

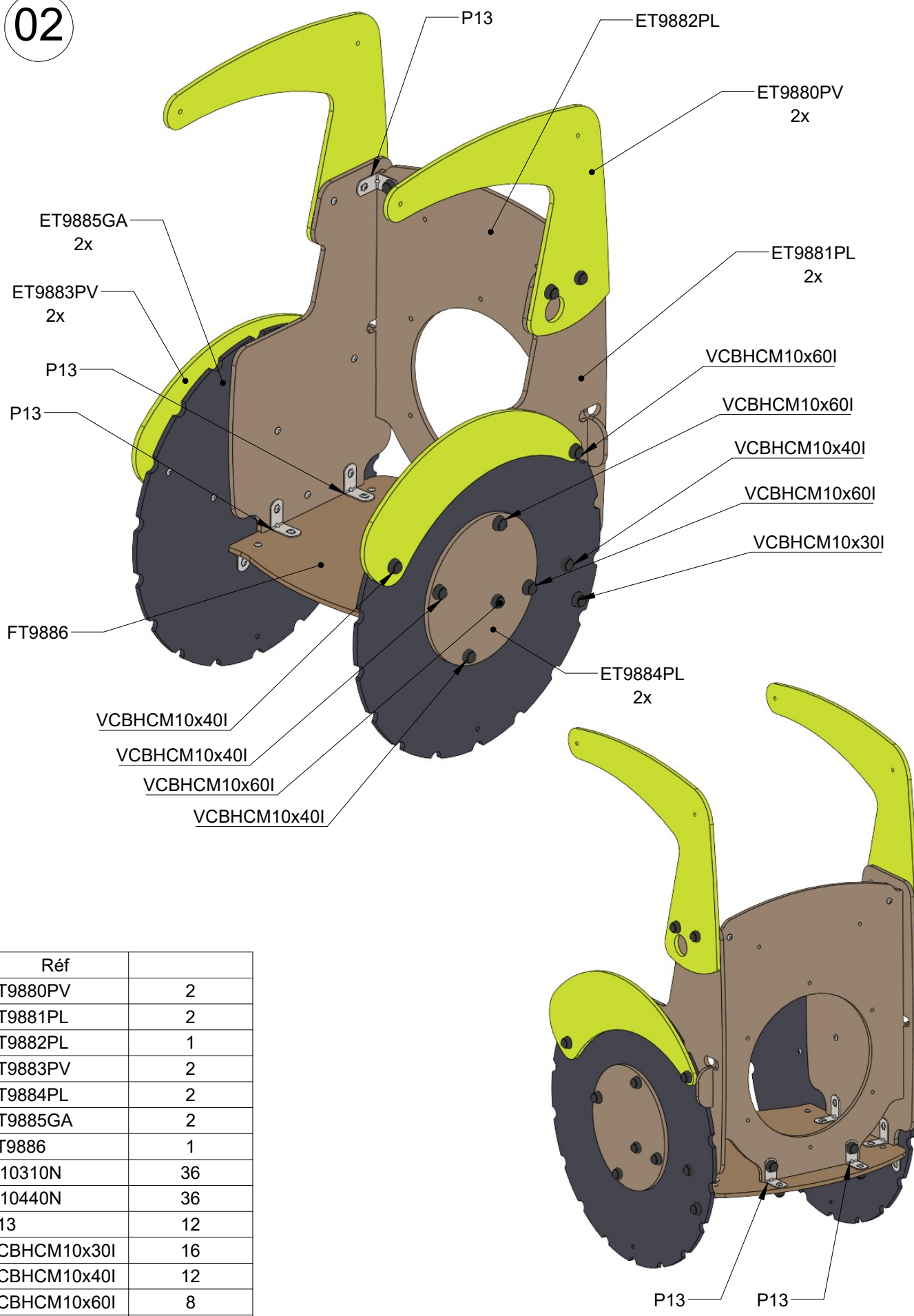
01



Réf	
ET9887GA	2
ET9888PL	2
ET9890PV	2
ET9891PL	1
FT9889	1
M10310N	26
M10440N	26
P13	10
VCBHCM10x30I	18
VCBHCM10x40I	6
VCBHCM10x60I	2
VEFM10	26

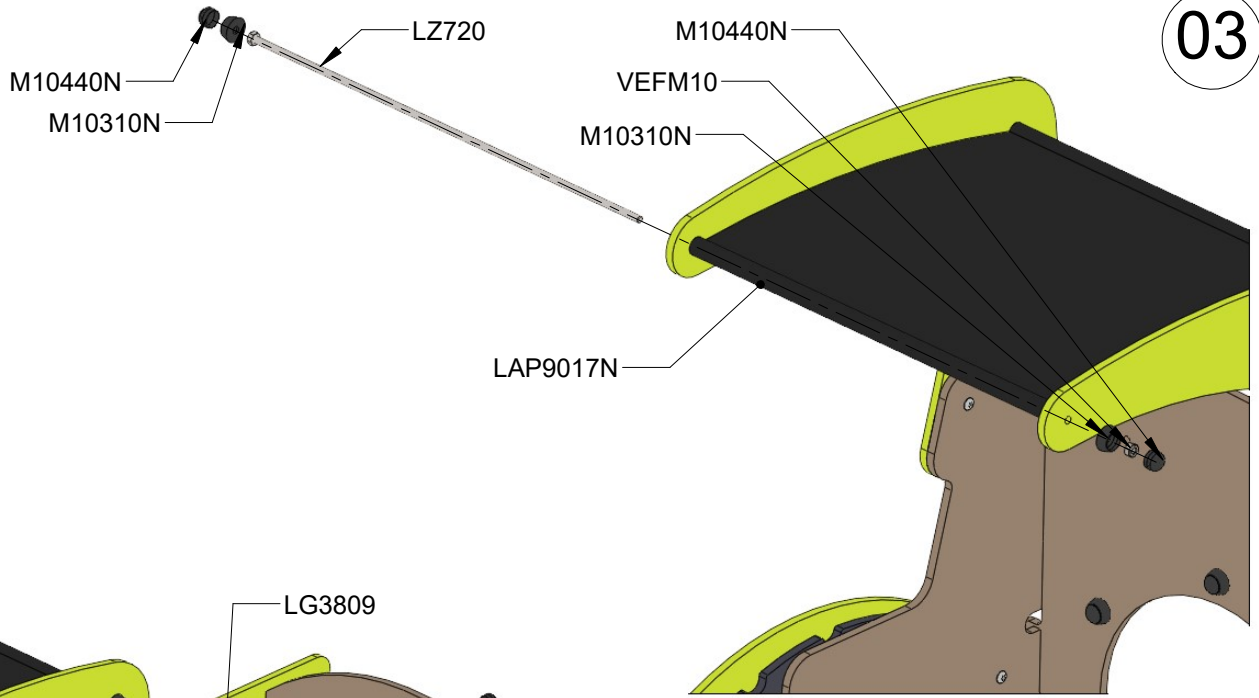


02

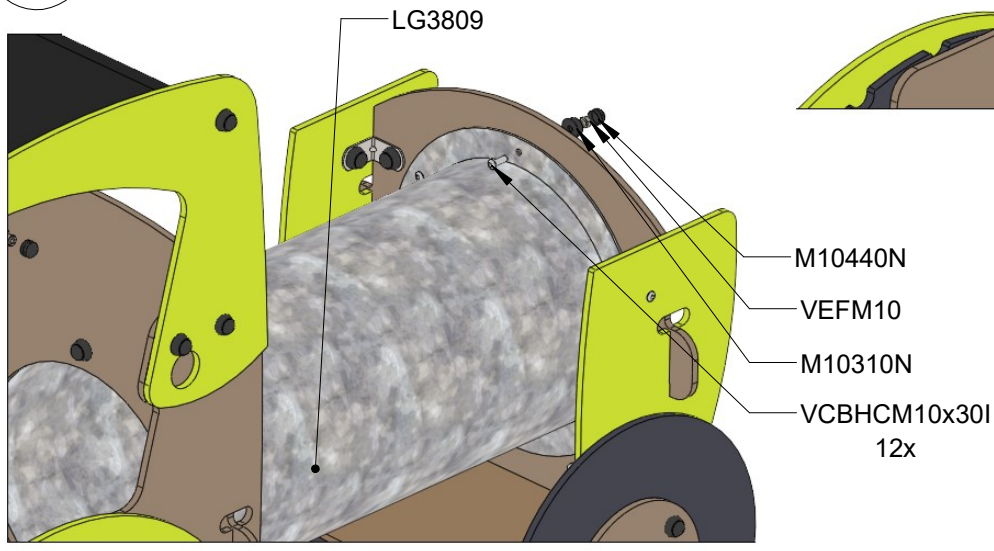


Réf	
ET9880PV	2
ET9881PL	2
ET9882PL	1
ET9883PV	2
ET9884PL	2
ET9885GA	2
FT9886	1
M10310N	36
M10440N	36
P13	12
VCBHCM10x30I	16
VCBHCM10x40I	12
VCBHCM10x60I	8
VEFM10	36

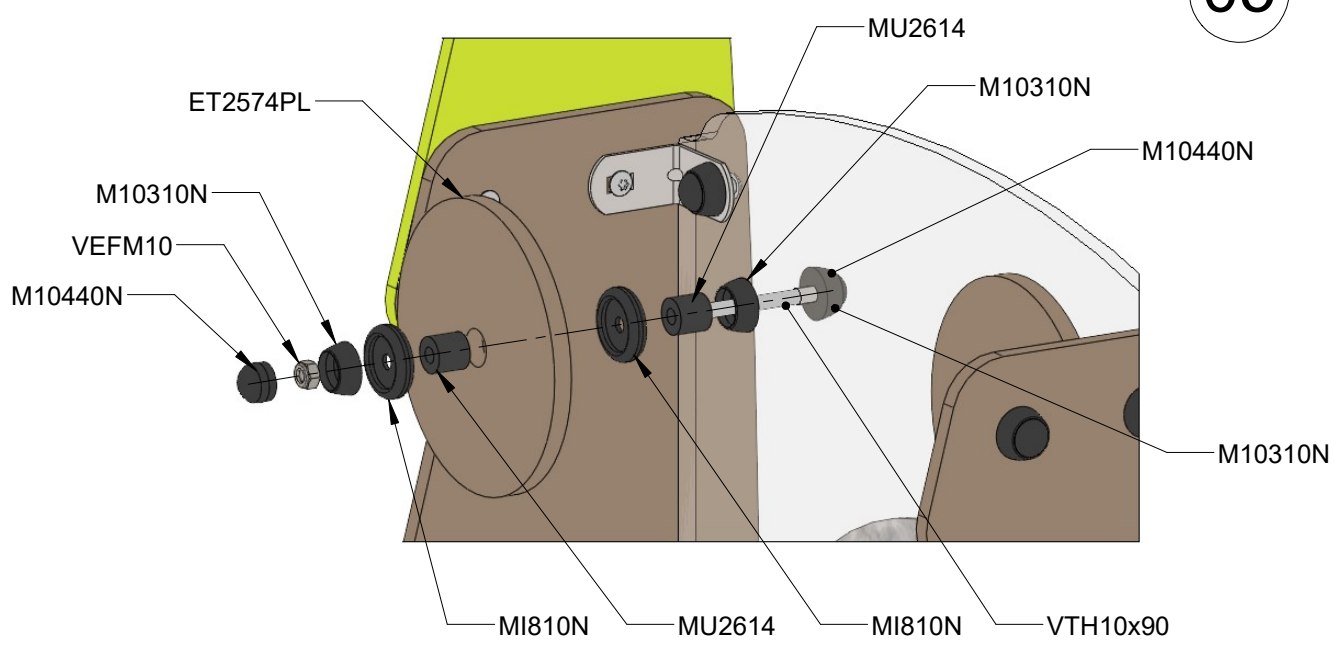
03

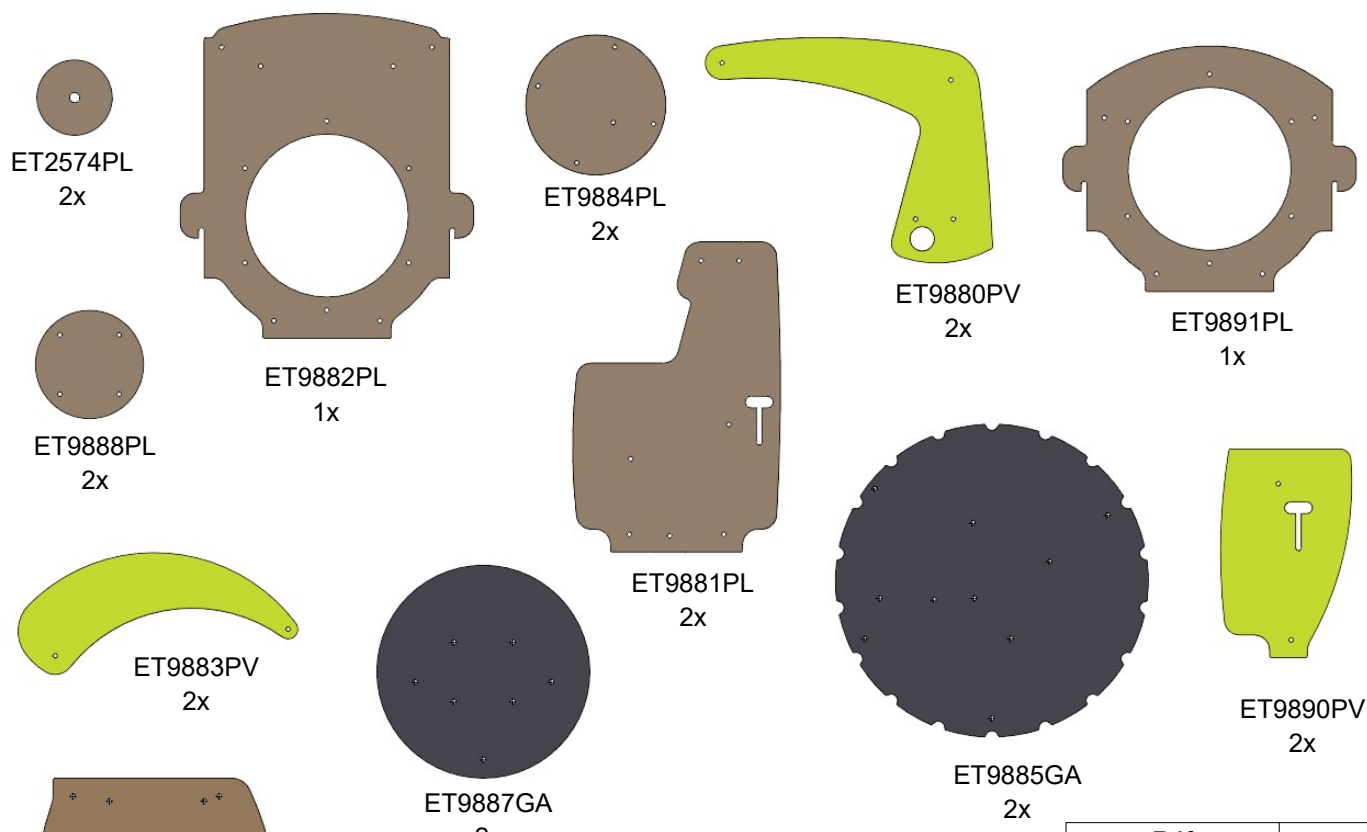


04



05





Réf	
ET2574PL	2
ET9880PV	2
ET9881PL	2
ET9882PL	1
ET9883PV	2
ET9884PL	2
ET9885GA	2
ET9887GA	2
ET9888PL	2
ET9890PV	2
ET9891PL	1
FT9886	1
FT9889	1
LA000	1
LAP9017N	1
LG08	4
LG3809	1
LZ720	2
M10310N	88
M10440N	86
MI0002	1
MI810N	4
MU2614	4
P13	22
VCBHCM10x30I	50
VCBHCM10x40I	18
VCBHCM10x60I	10
VEFM10	82
VTH10x90	2