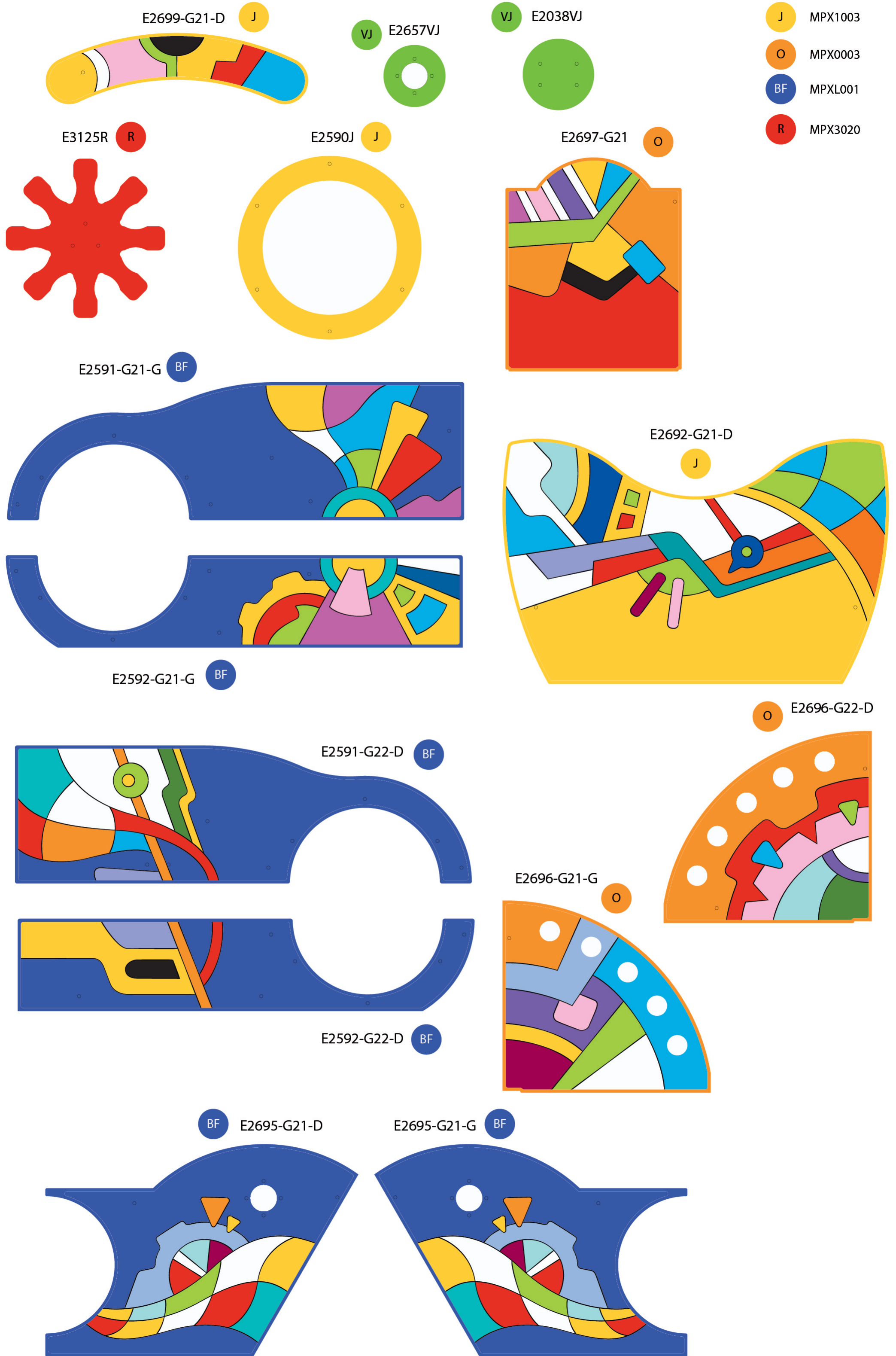


**J2604-GG**





- VJ MPX6018
- J MPX1003
- O MPX0003
- BF MPXL001
- R MPX3020

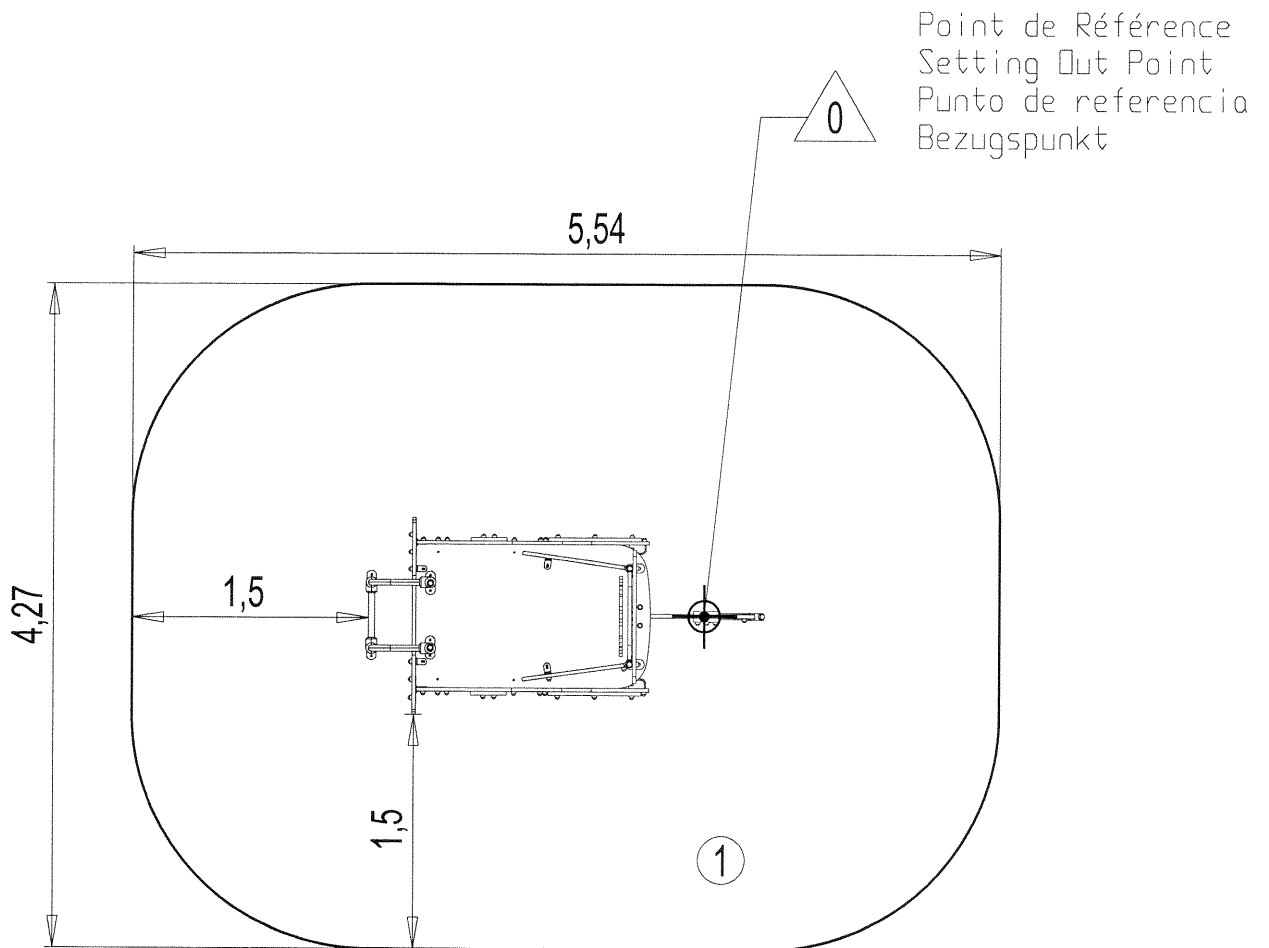


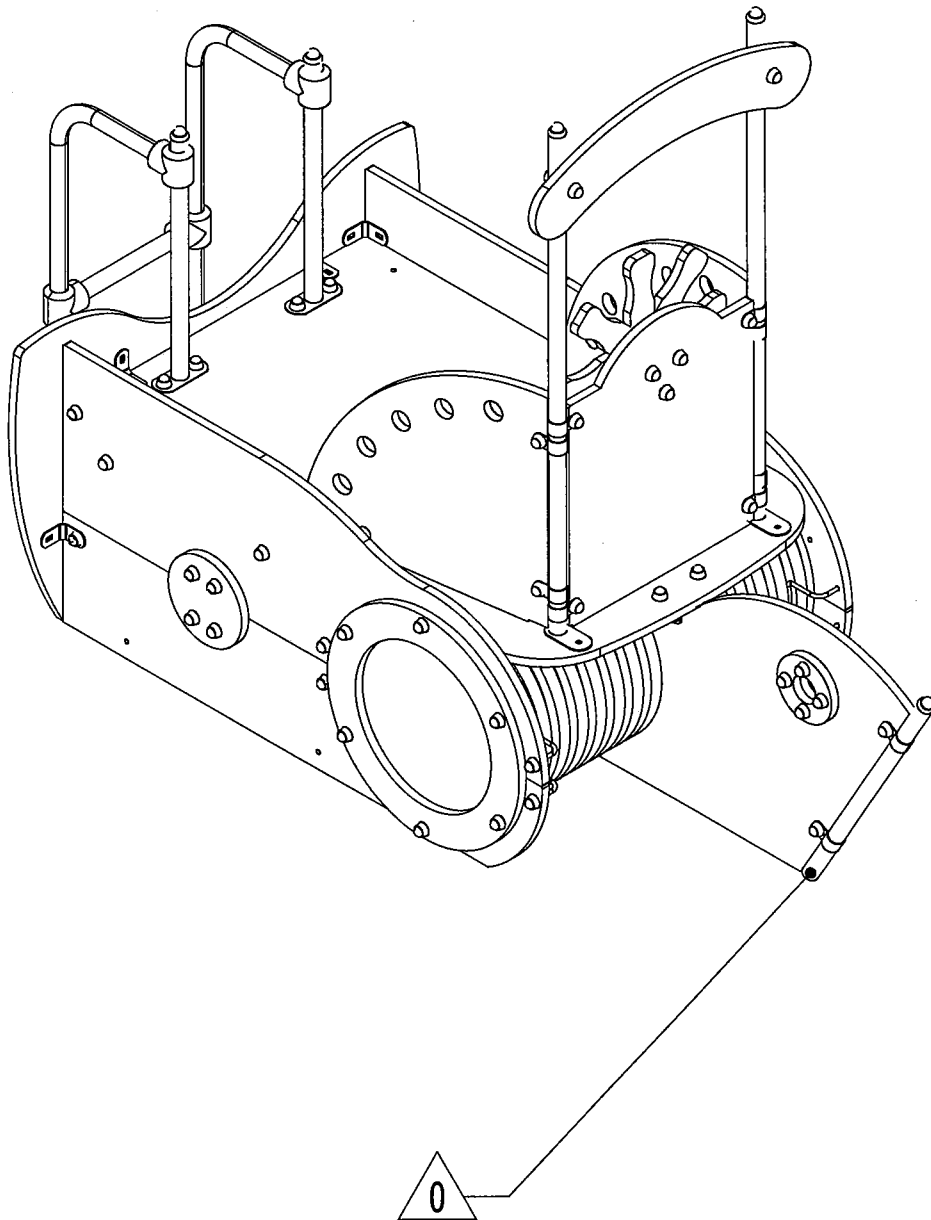
N°		
①	0.6 m	22 m <sup>2</sup>

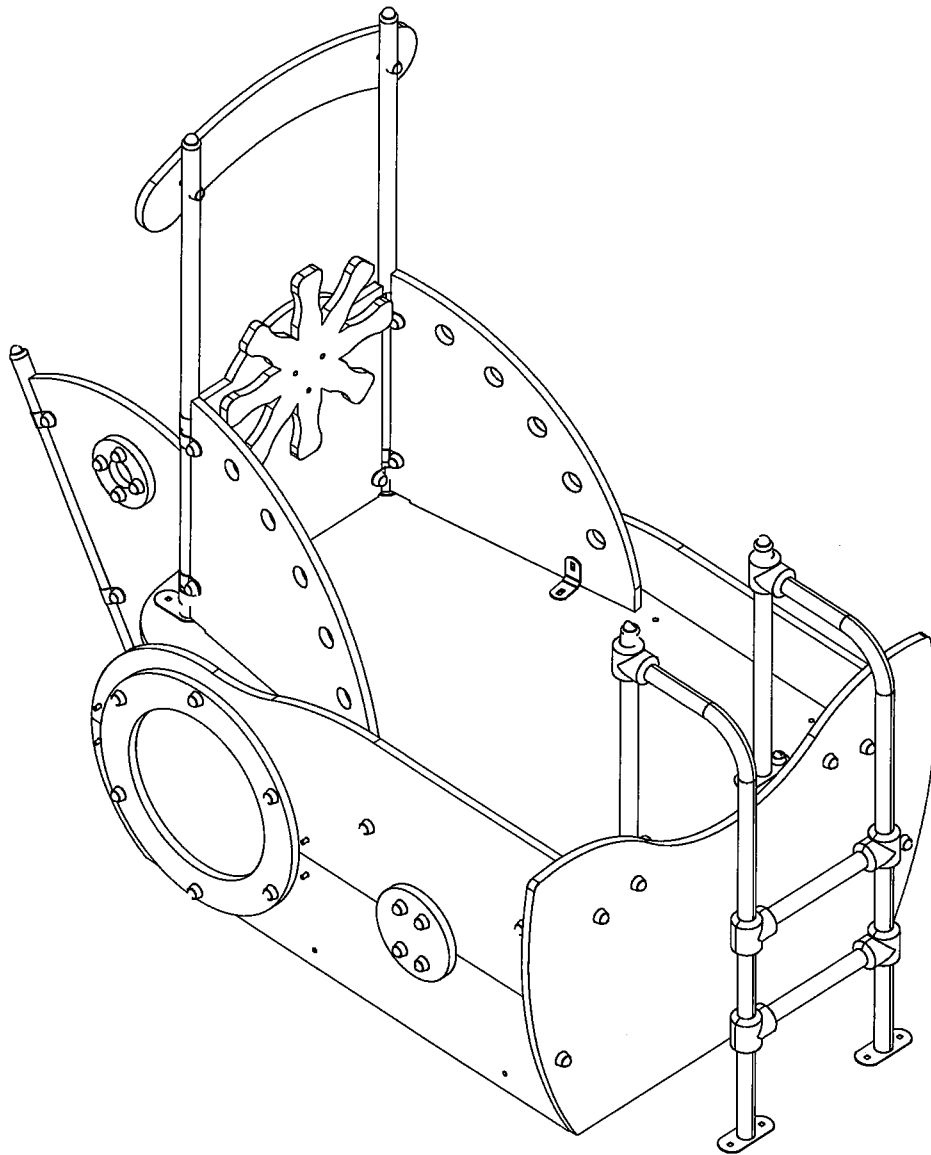
— Zone d'Impact  
Impact Area  
Area de Impacto  
Fallraum

EN 1176-1: 2017

- - Espace libre  
Free Space  
Espacio Libre  
Freiraum

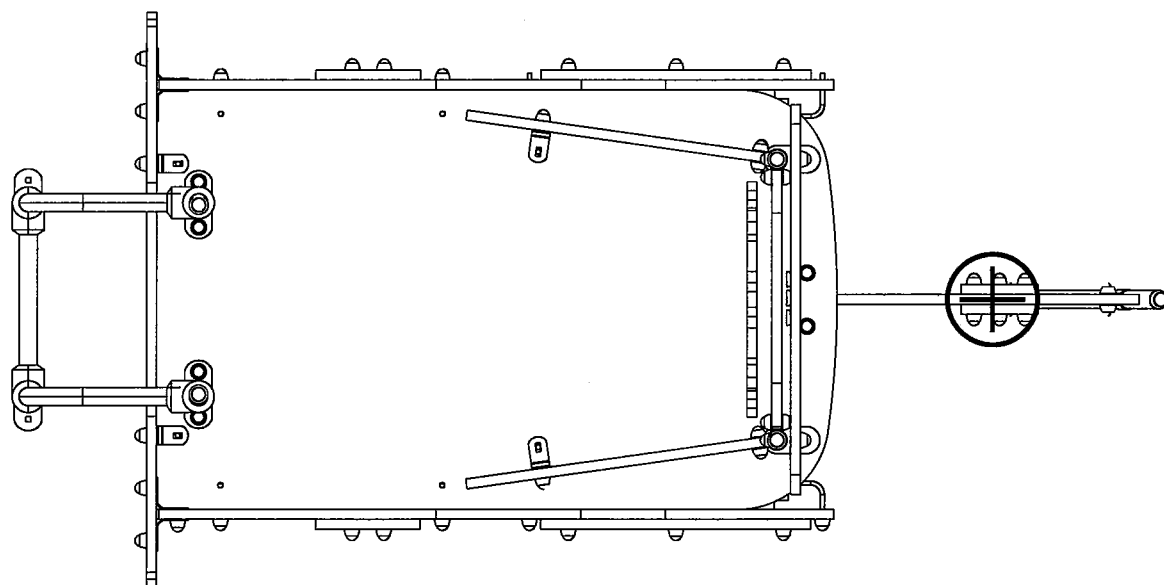




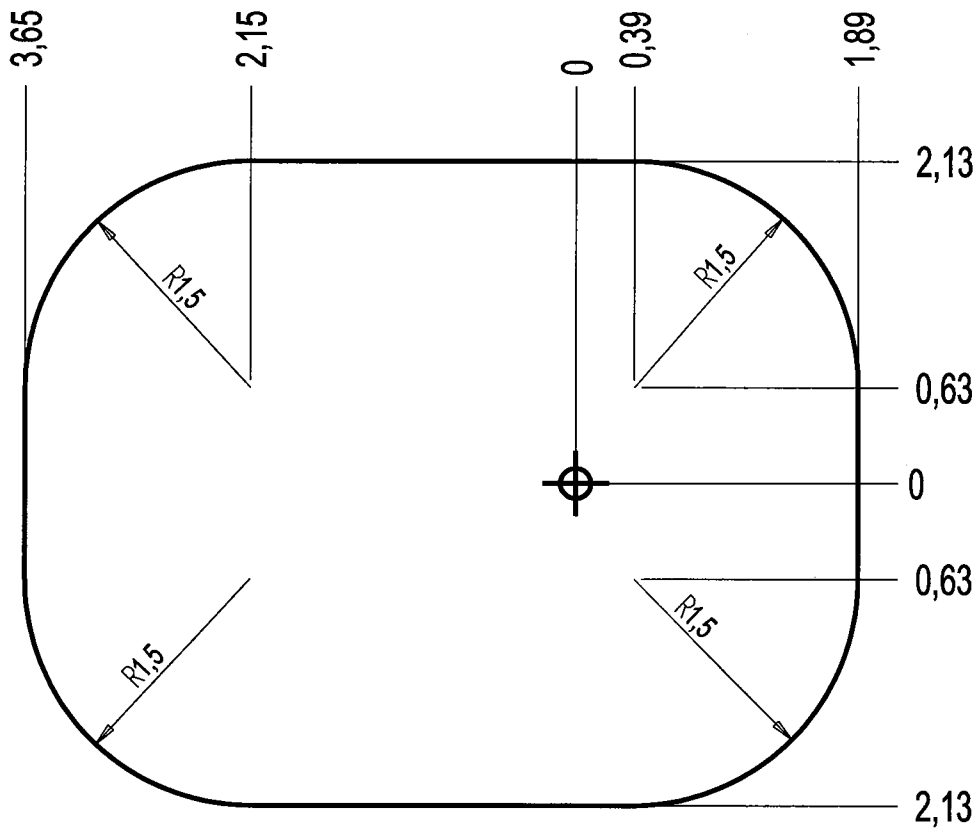


J2604

*Proludic*

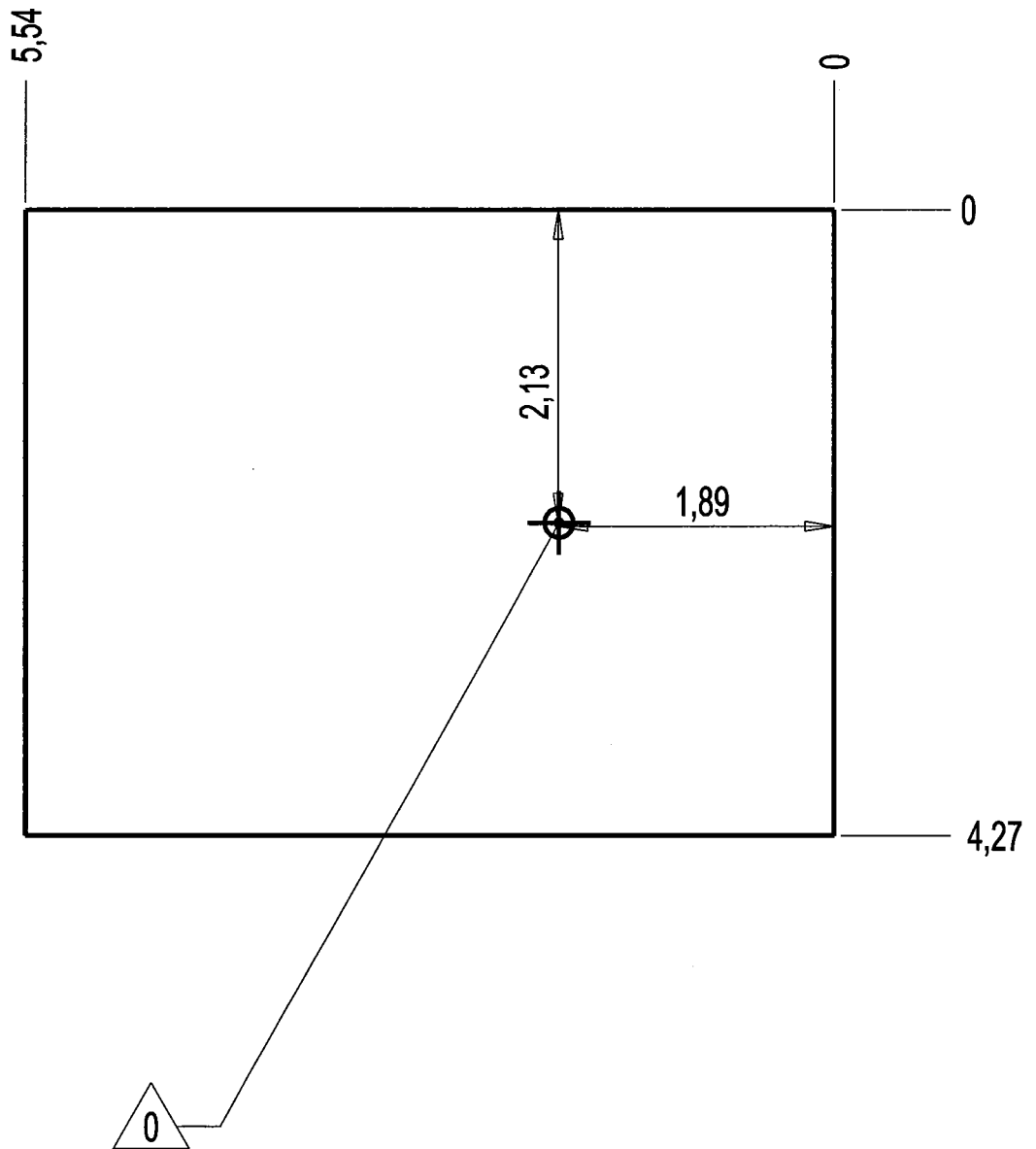


— Zone d'Impact 22m<sup>2</sup>  
Impact Area  
Area de Impacto  
Fallraum

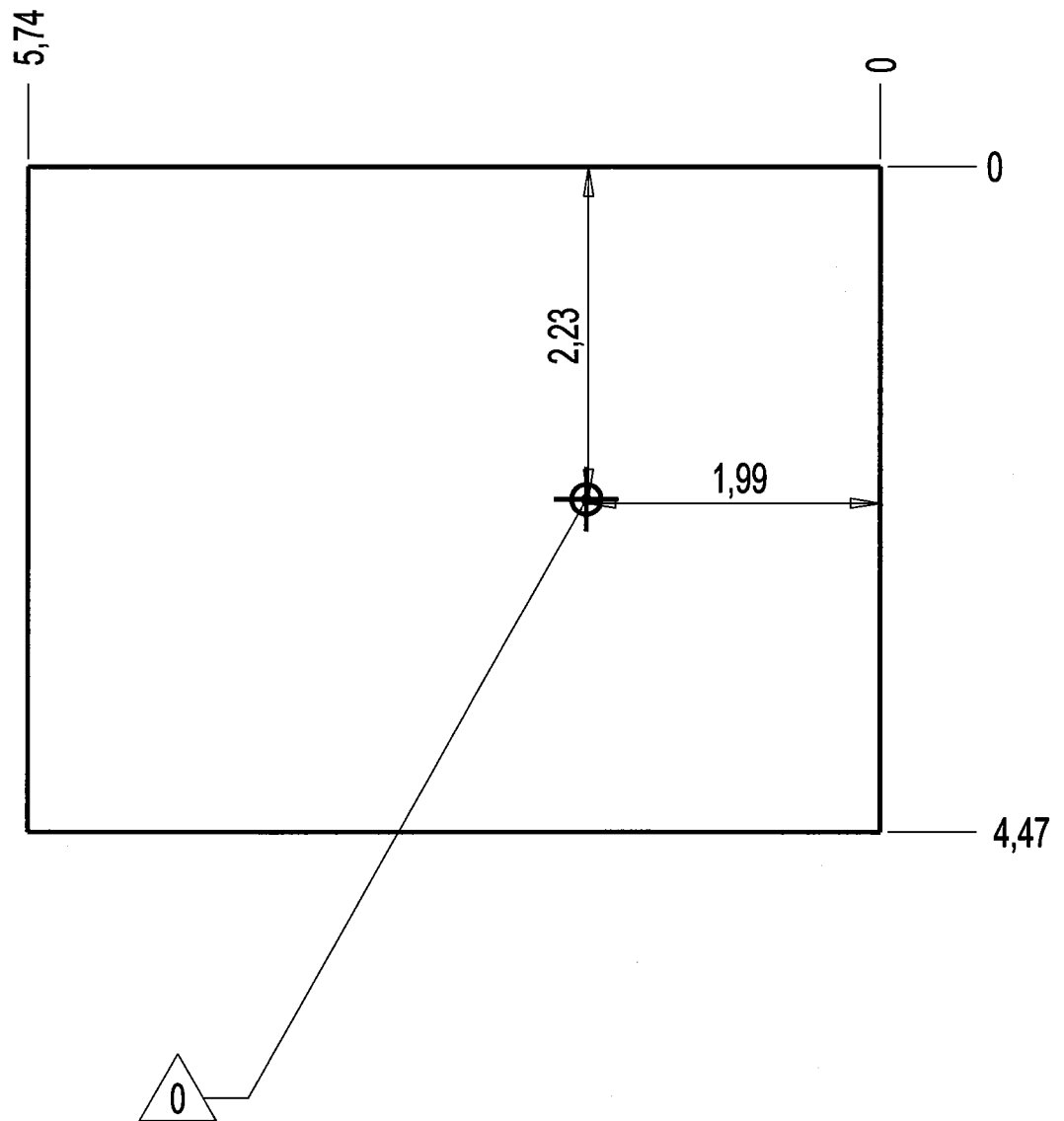




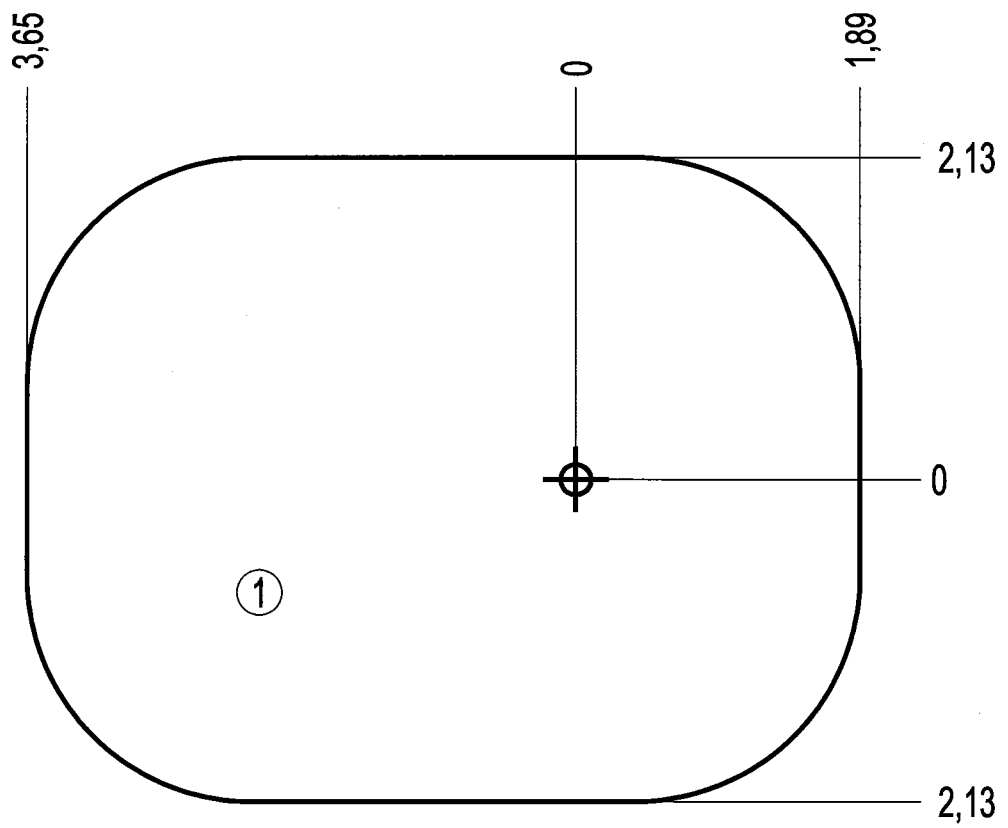
— Dalle béton 20 m  
Concrete pad 24 m<sup>2</sup>  
Solera de Hornigón  
Beton Bodenplatte



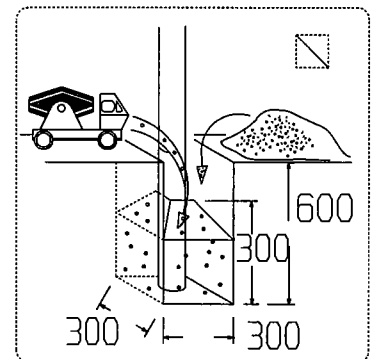
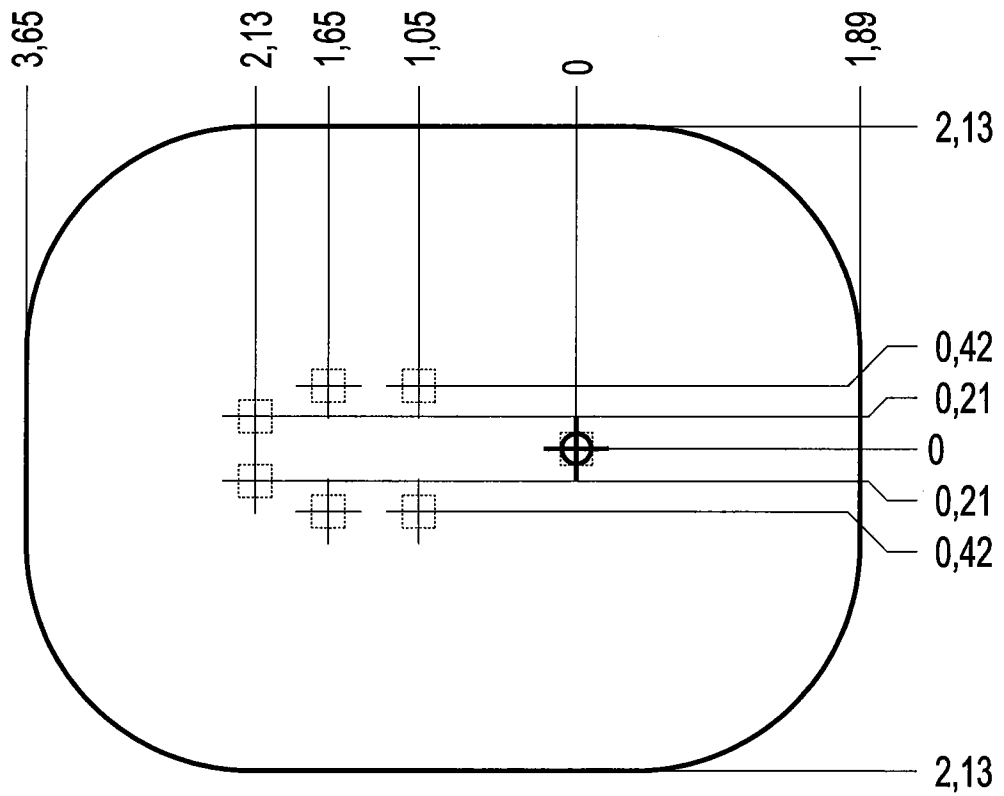
- Sol fluent 21 m
- Loose particle material 26 m<sup>2</sup>
- Arenero
- Loses Bodenmaterial



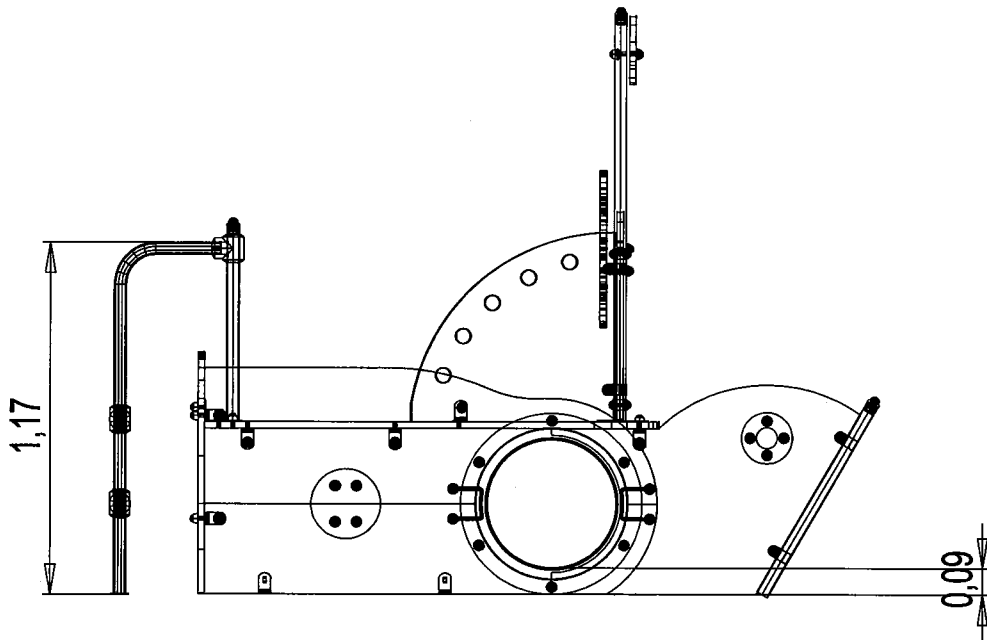
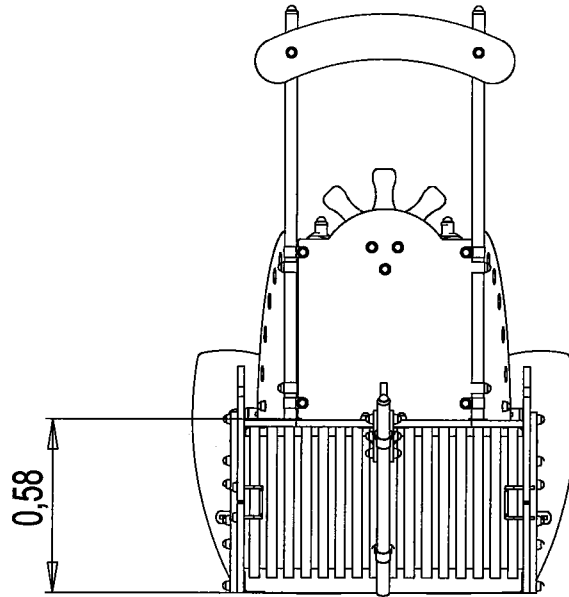
— Sol souple 22 m<sup>2</sup>  
Wetpour  
Caucho Continuo  
Synthetischer Fallschutz



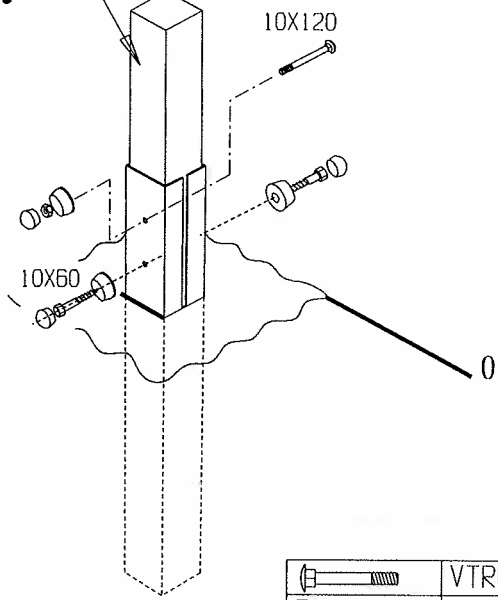
Implantation  
 Footing plan  
 Implantación  
 Fundamentplan



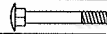
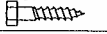
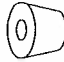

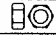
<p>x2</p>	<p>5H30</p>	<p>0.2m<sup>3</sup></p>
-----------	-------------	-------------------------



A....



LG1905

	VTRCC10x120	1
	VTF 10x60	2
	M10310	3
	M10440	3
	VECM10	1

LI...

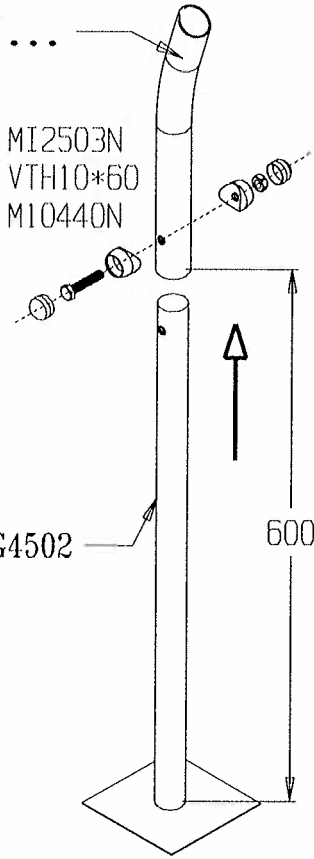
*Proludic*

MI2503N  
VTH10\*60  
M10440N

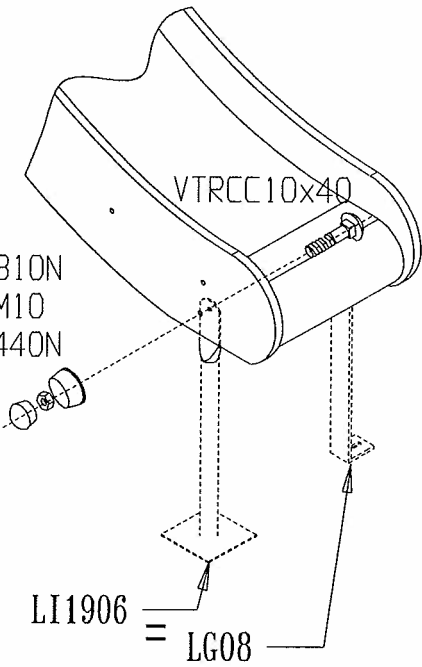
M10440N  
VECM10  
MI2503N

LG4502

600

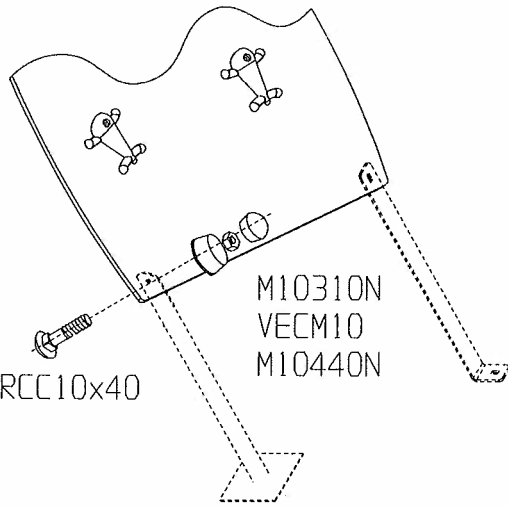


M10310N  
VECM10  
M10440N



LI1906  
= LG08

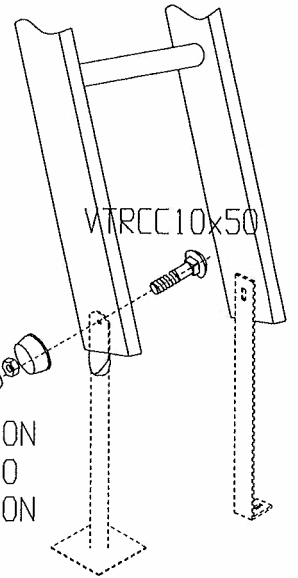
VTRCC10x40



M10310N  
VECM10  
M10440N

M10310N  
VECM10  
M10440N

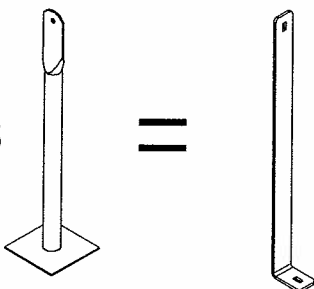
VTRCC10x50



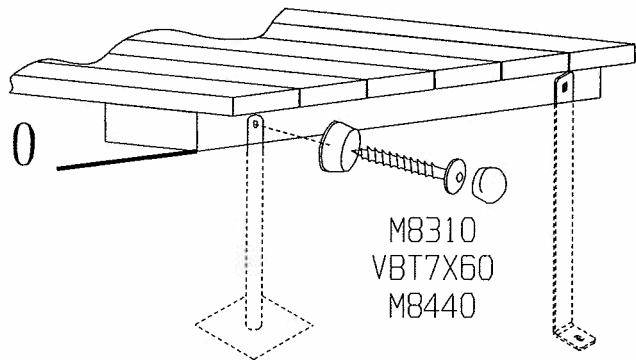
LI1906

=

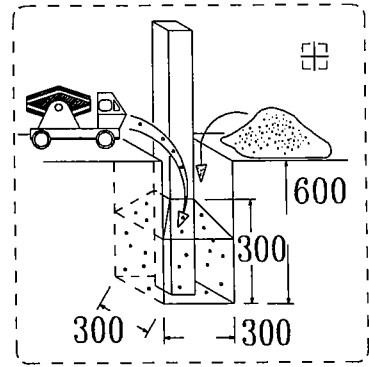
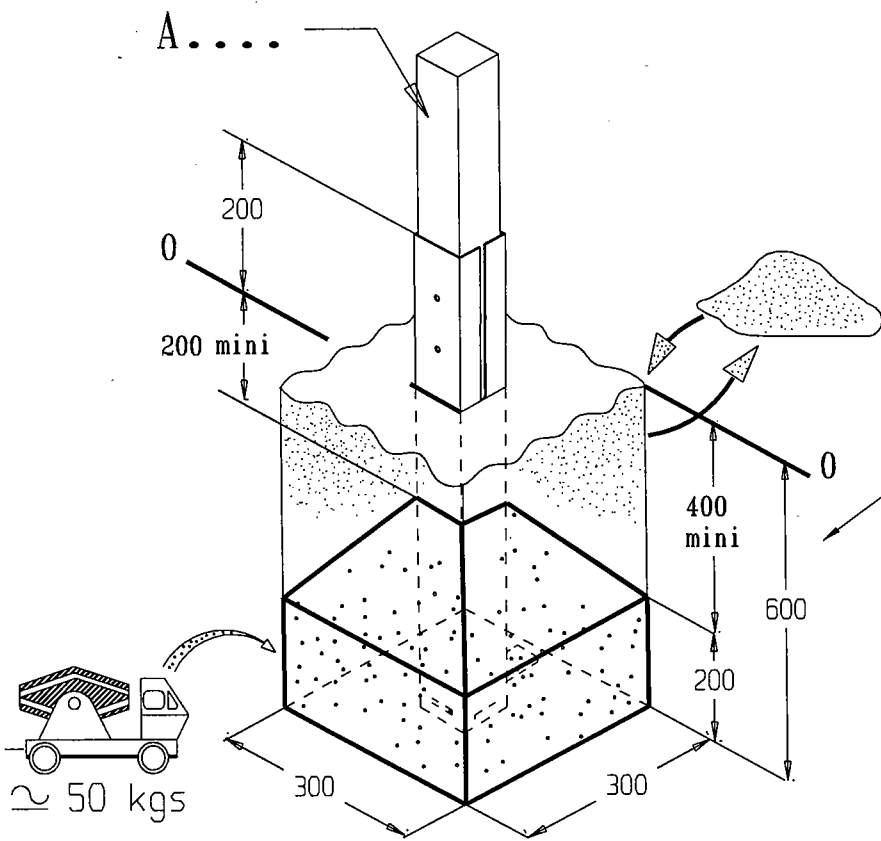
LG08



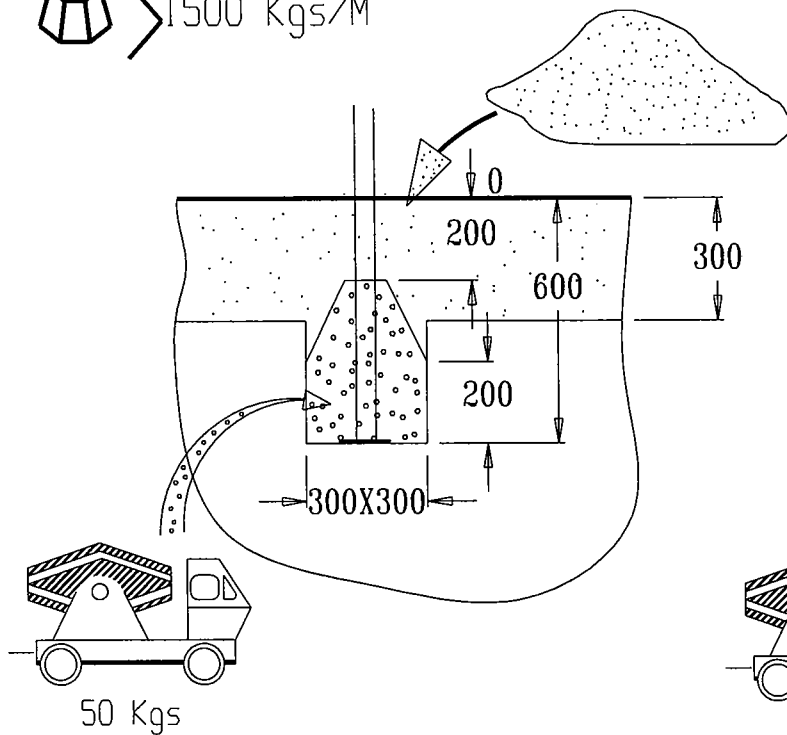
0



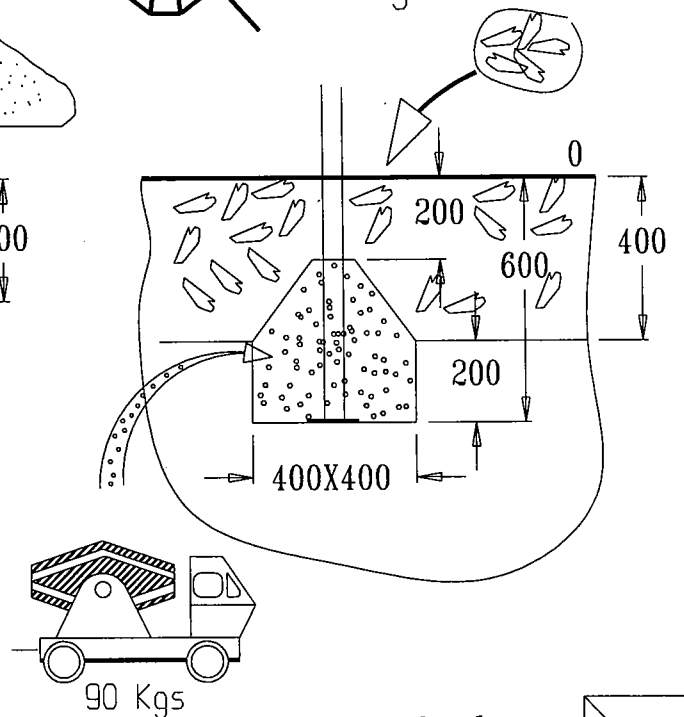
M8310  
VBT7X60  
M8440



 > 1500 Kgs/M<sup>3</sup>

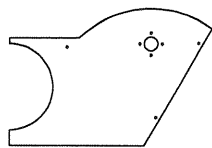


 < 1500 Kgs/M<sup>3</sup>



*Proludic*

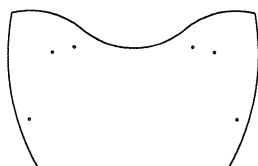
E2695 BF x 1



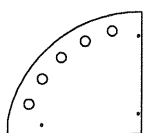
E2657 VJ x 2



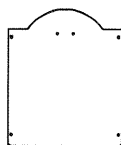
E2692 J x 1



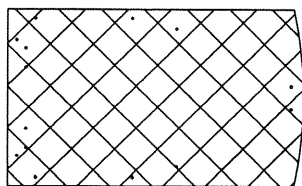
E2696 D x 2



E2697 D x 1



FT2608 x 1



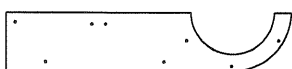
E2038 VJ x 2



E2591 BF x 2



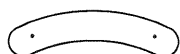
E2592 BF x 2



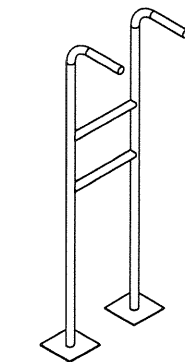
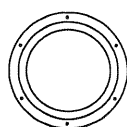
U363 x 1



E2699 J x 1

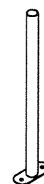


E2590 J x 2

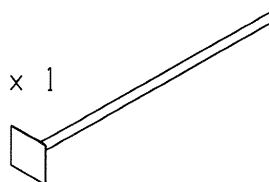


LI2636 x 1

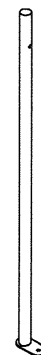
LI2652 x 2



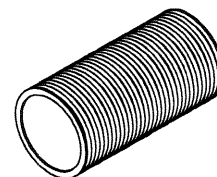
LI2653 x 1



LI2650 x 2



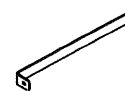
ML2101 X 1



LI2532 X 10



LG08 x 4



MI2502 N x 12

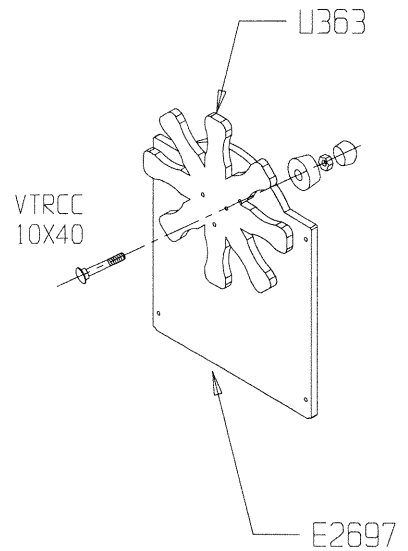
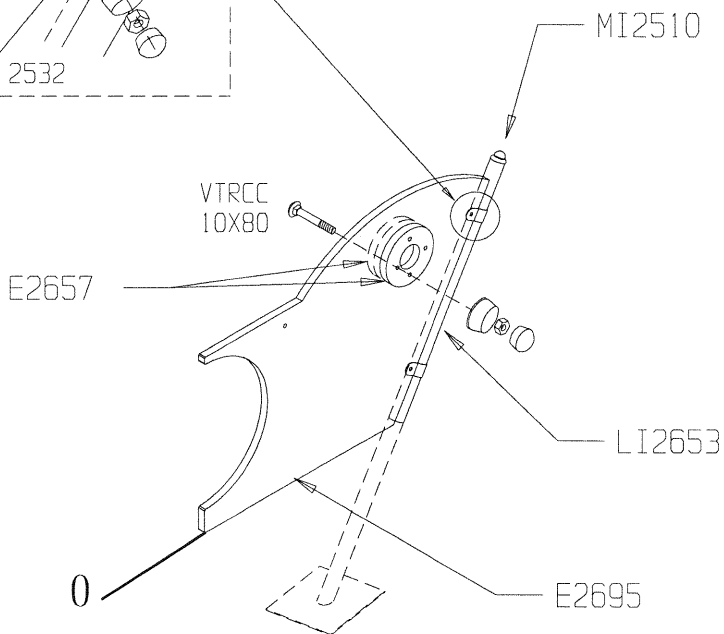
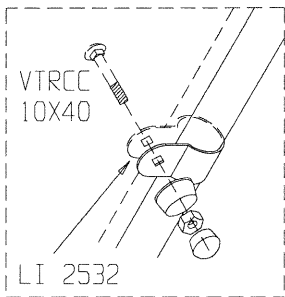
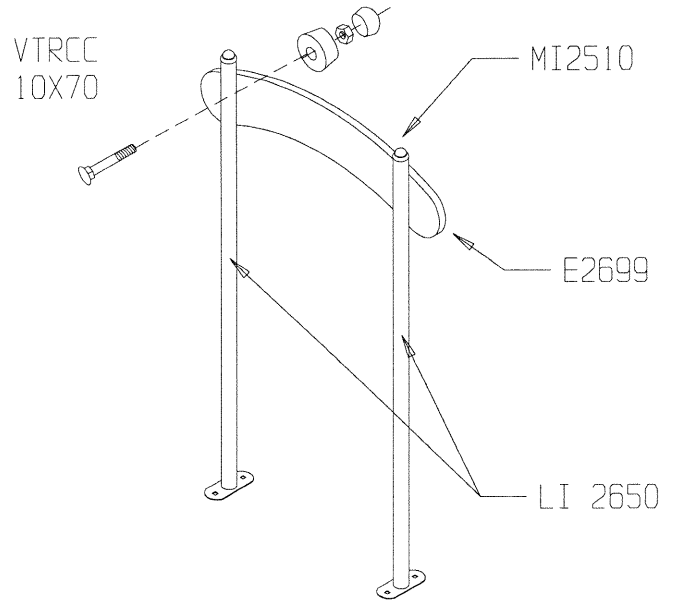
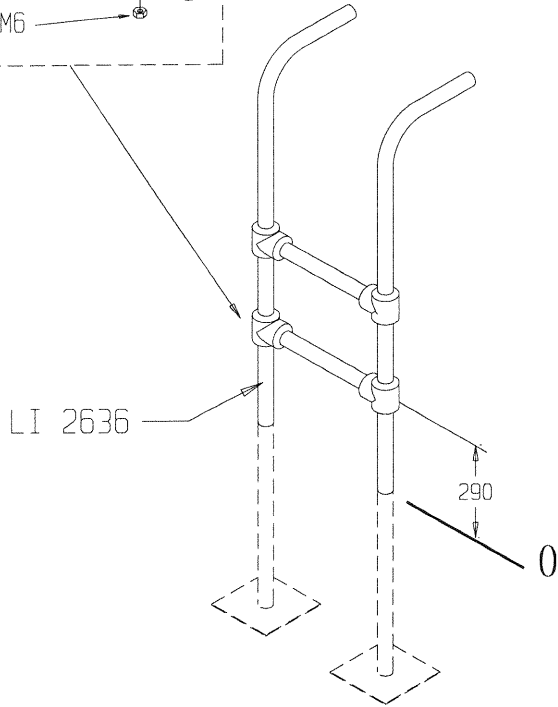
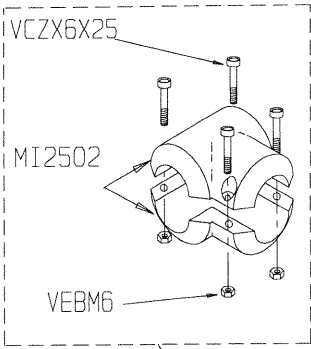


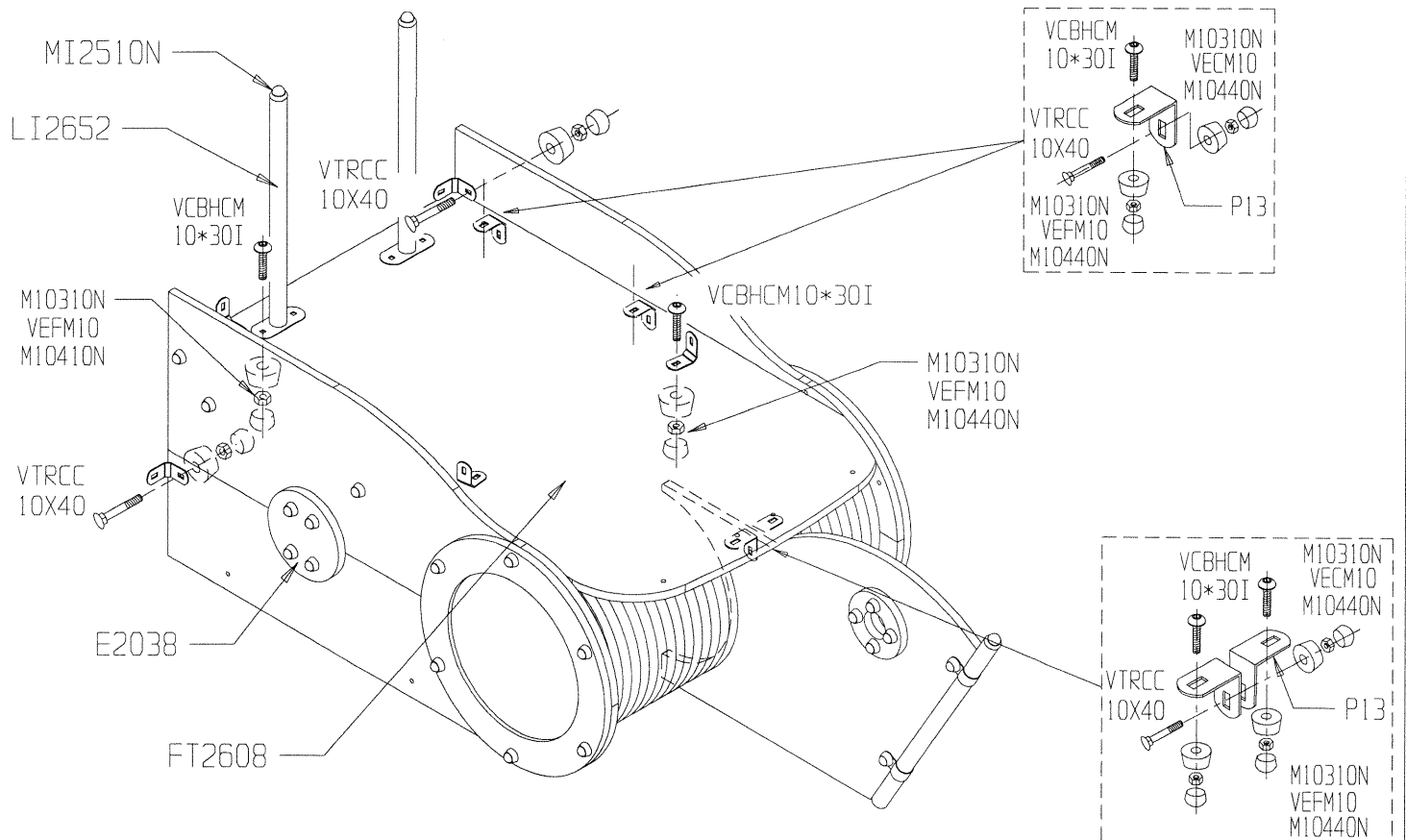
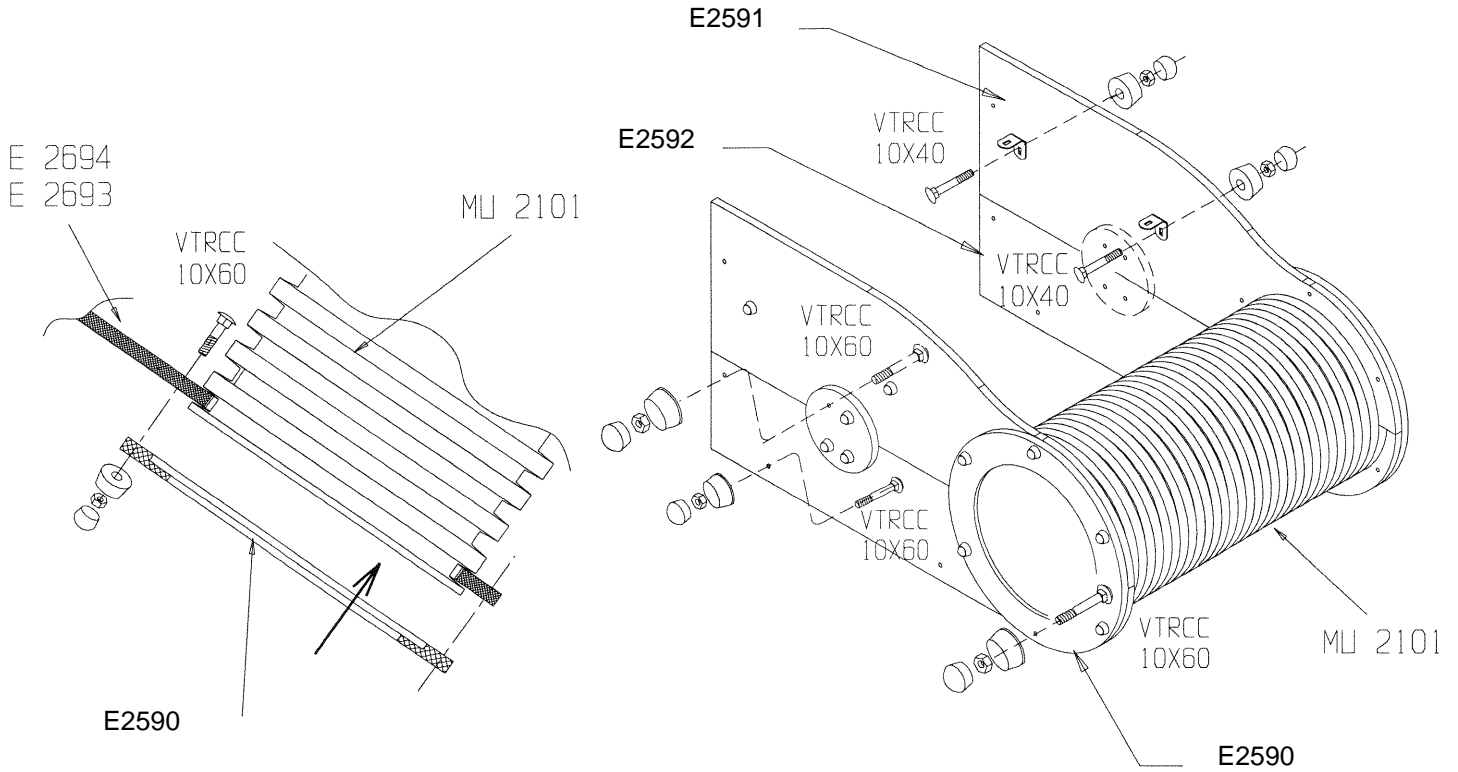
MI2510 N x 5

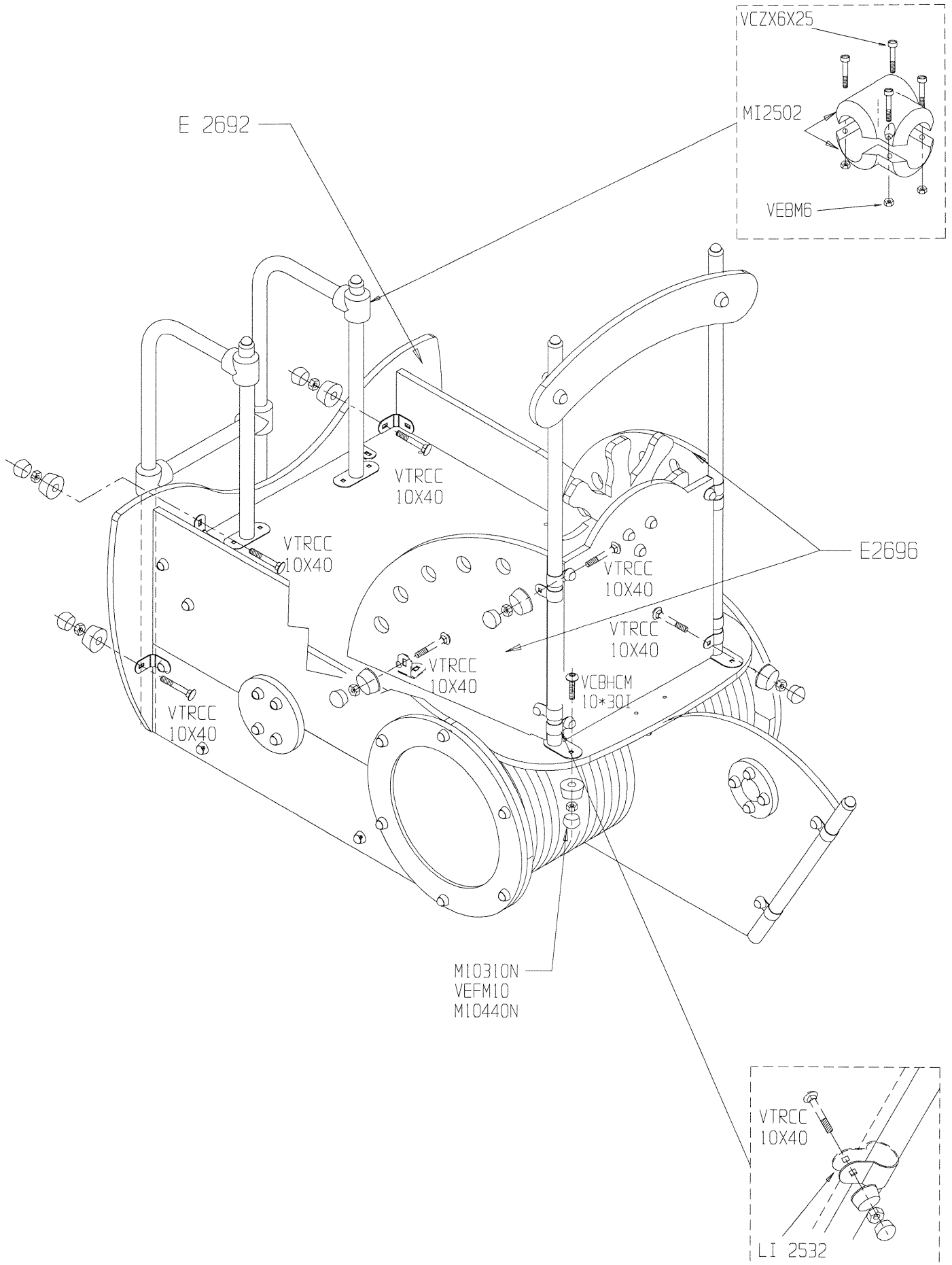


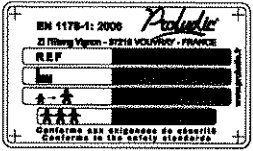
	VCBHC10*30I	16
	VTRCC10x40	39
	VTRCC10x60	20
	VTRCC10x70	2
	VTRCC10x80	4
	M10310N	88
	M10440N	88
	VEFM10	16
	VECM10	82
	VCZX 6x25	24
	VEBM6	24
	90° 70 mm :P13	14
	LI26150	4











LA000

MI0002

