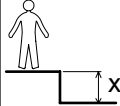
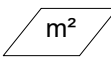




N°		
1	0.6 m	6.5 m ²
2	1 m	7.5 m ²

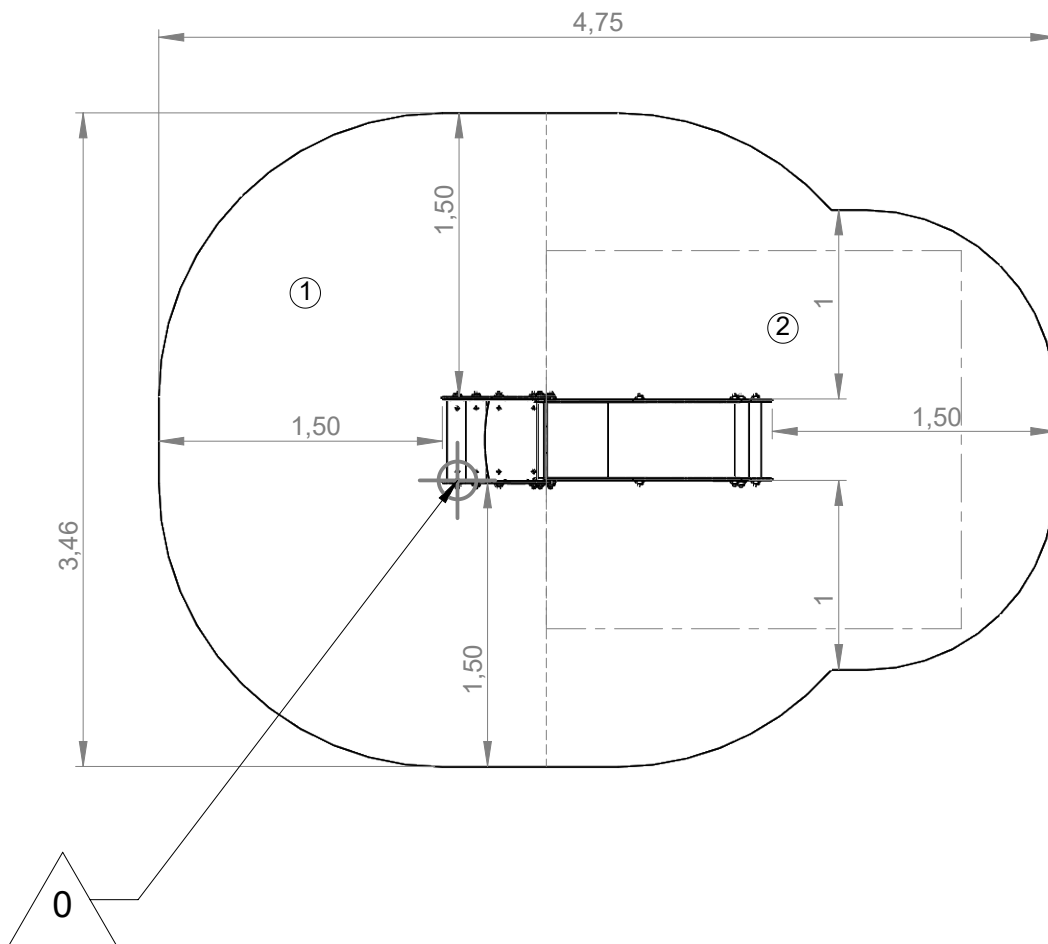
— Zone d'impact
Impact area
Area de impacto
Fallraum
Valzone

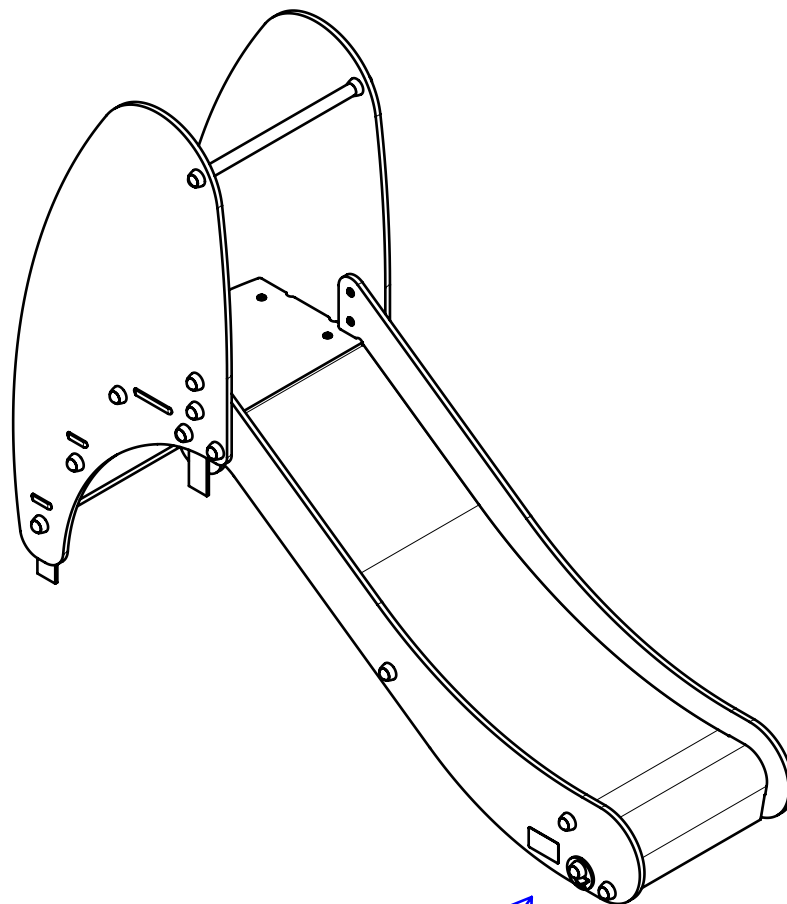


Point de référence
Setting out point
Punto de referencia
Bezugspunkt
Referentiepunt

- - - Espace libre
Free space
Espacio libre
Freiraum
Vrije ruimte

EN1176-1:2017
EN1176-3:2017





LA000

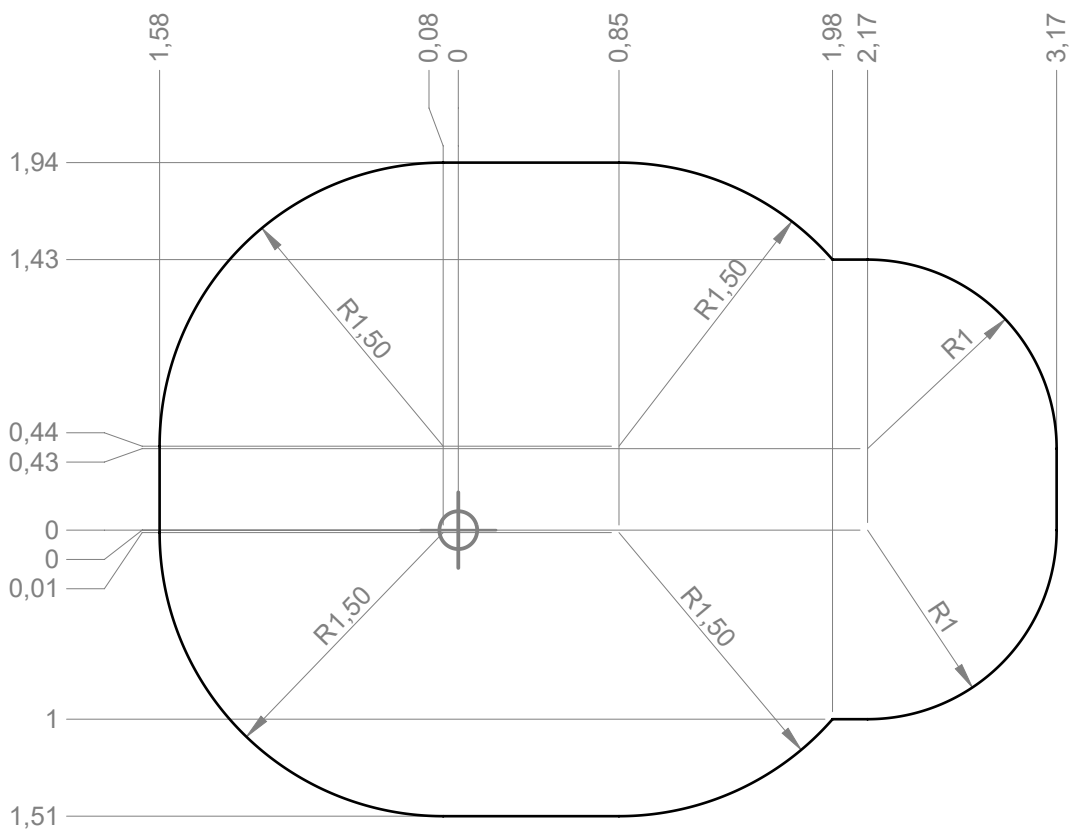
- 1x M10440N
- 1x VEFM10
- 1x M10310N
- 1x M10002

LG08

VCBHCM10x40I
1X

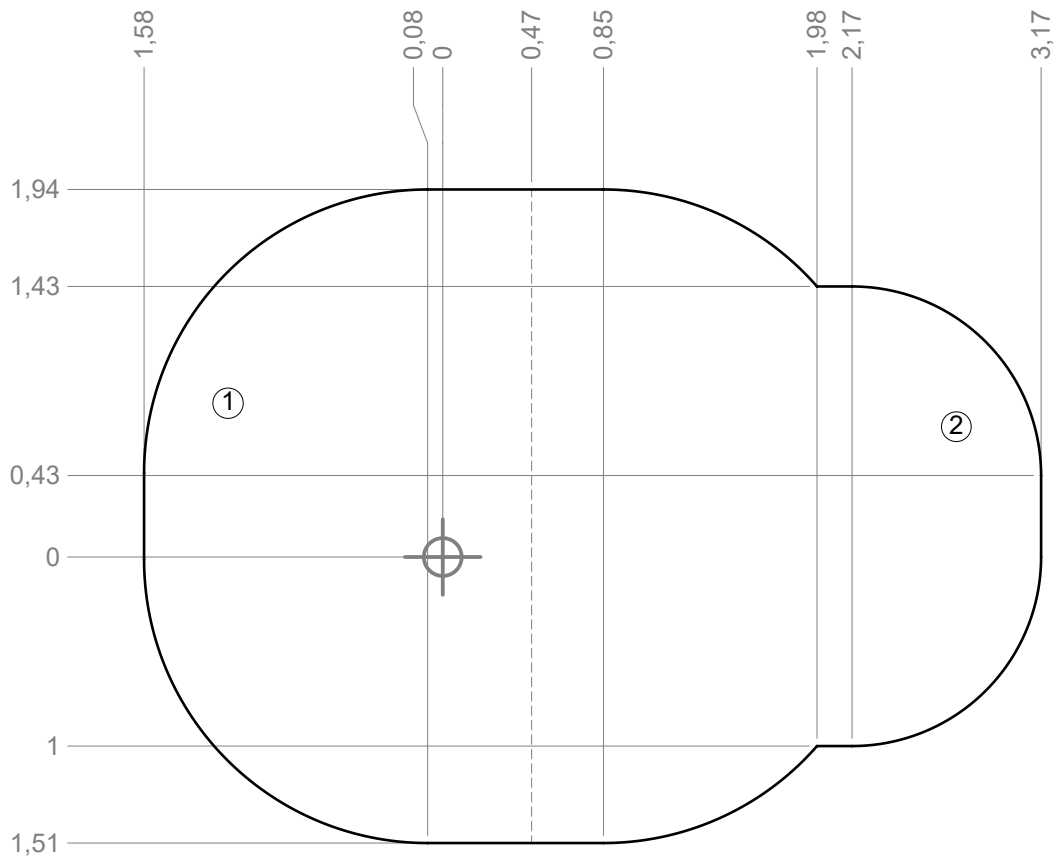
— Zone d'impact
 Impact area
 Area de impacto
 Fallraum
 Valzone

14 m²



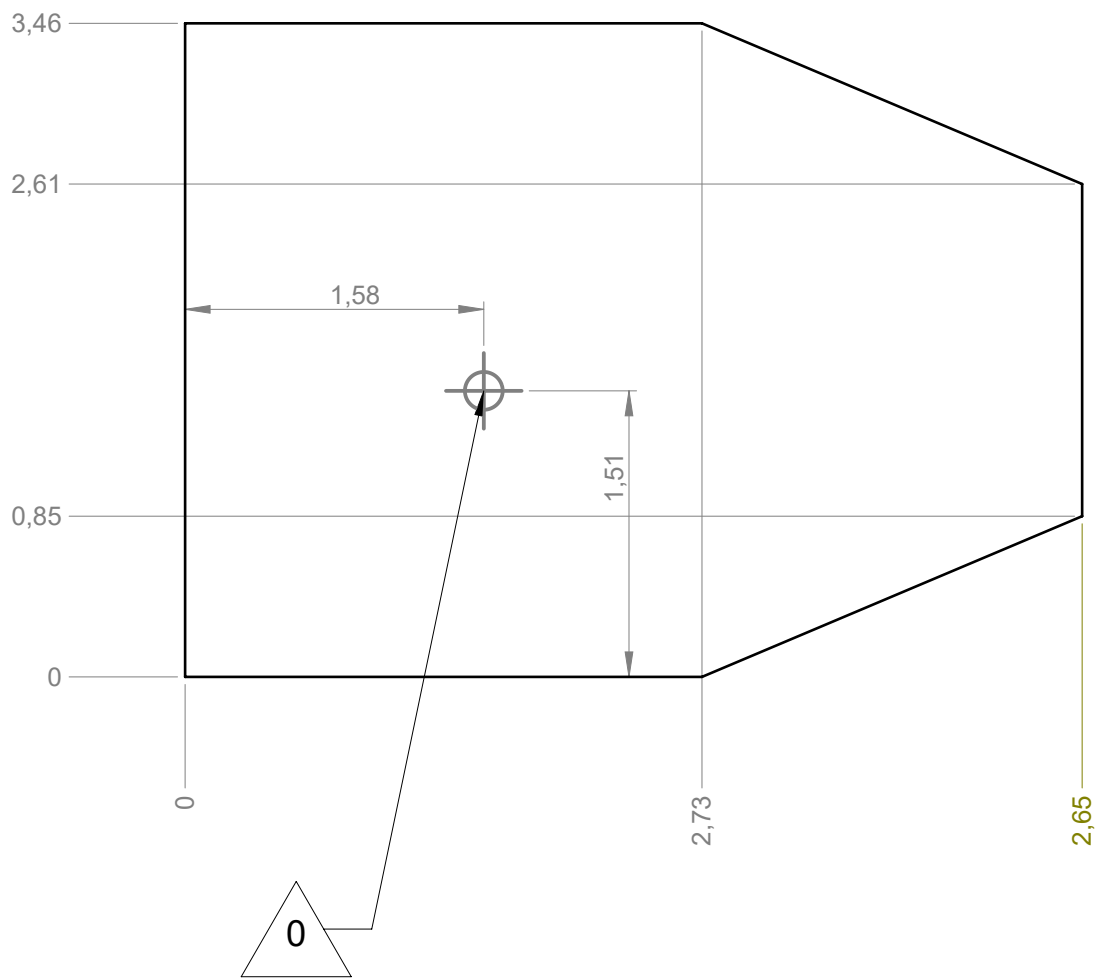
— Sol souple
Wetpour
Caucho continuo
Synthetischer fallschutz
Gietvloer

14 m²

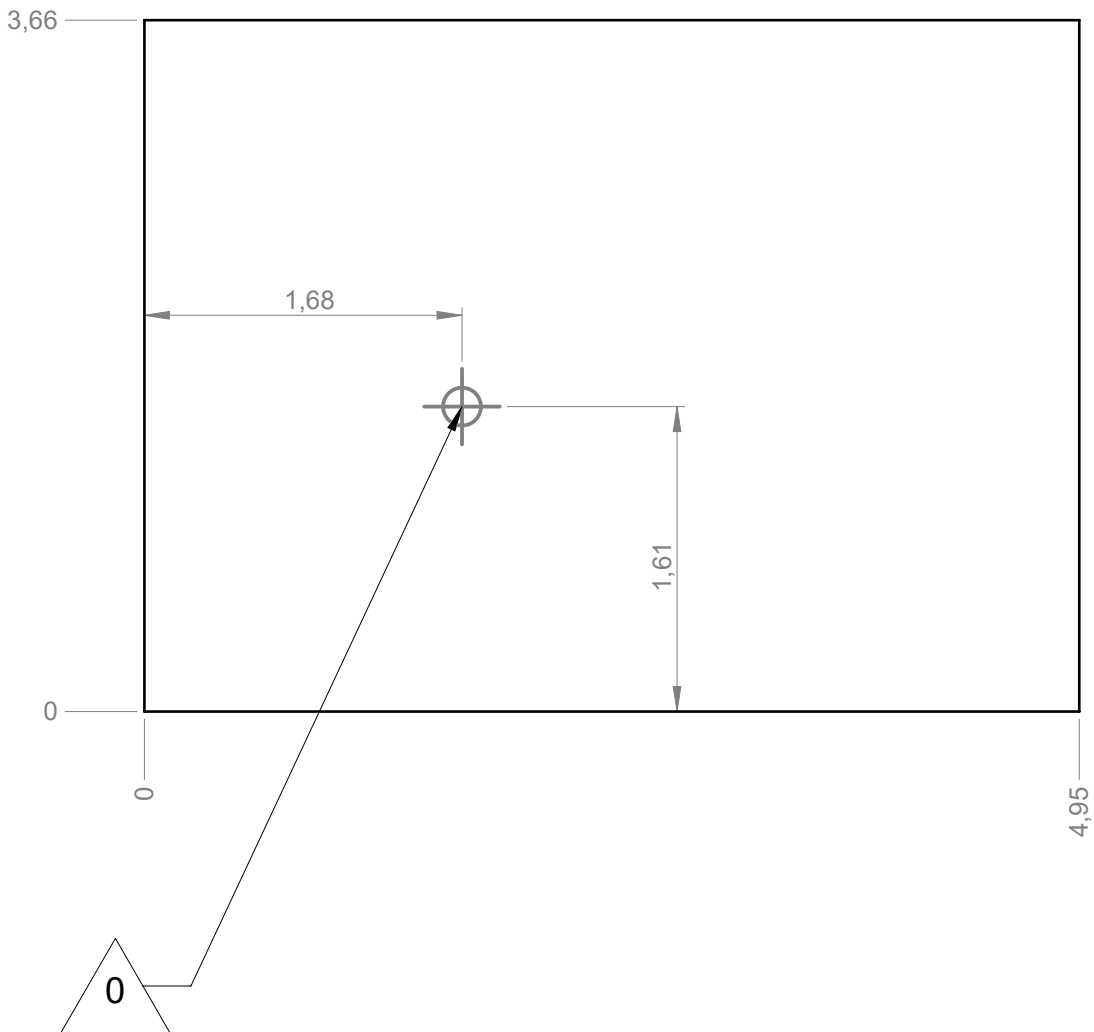


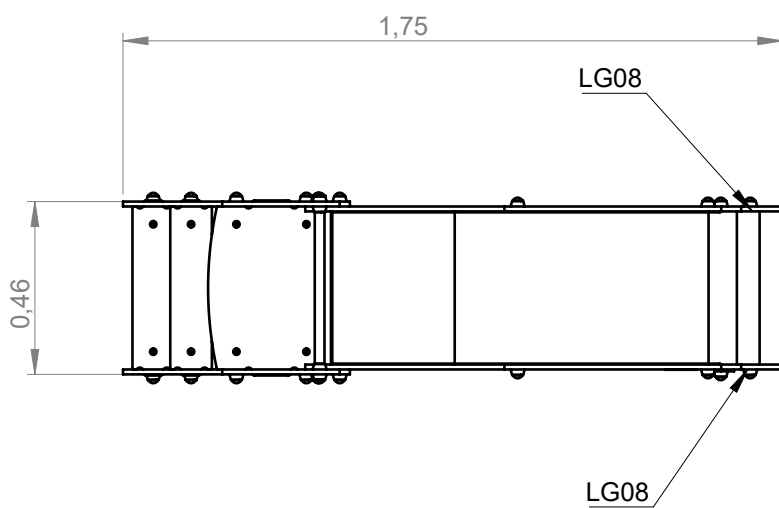
— Dalle béton
Concrete pad
Solera de hormigon
Beton bodenplatte
Betonnen bodemplaat

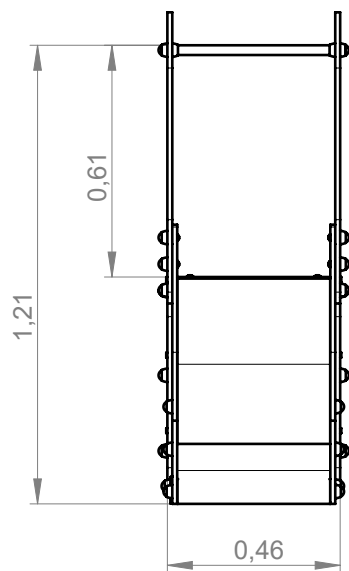
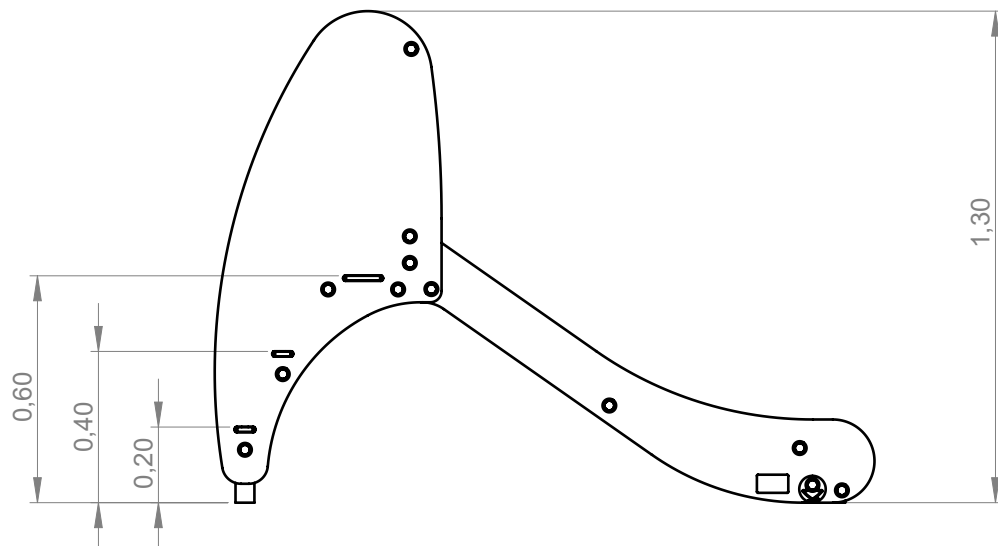
16 m
15 m²



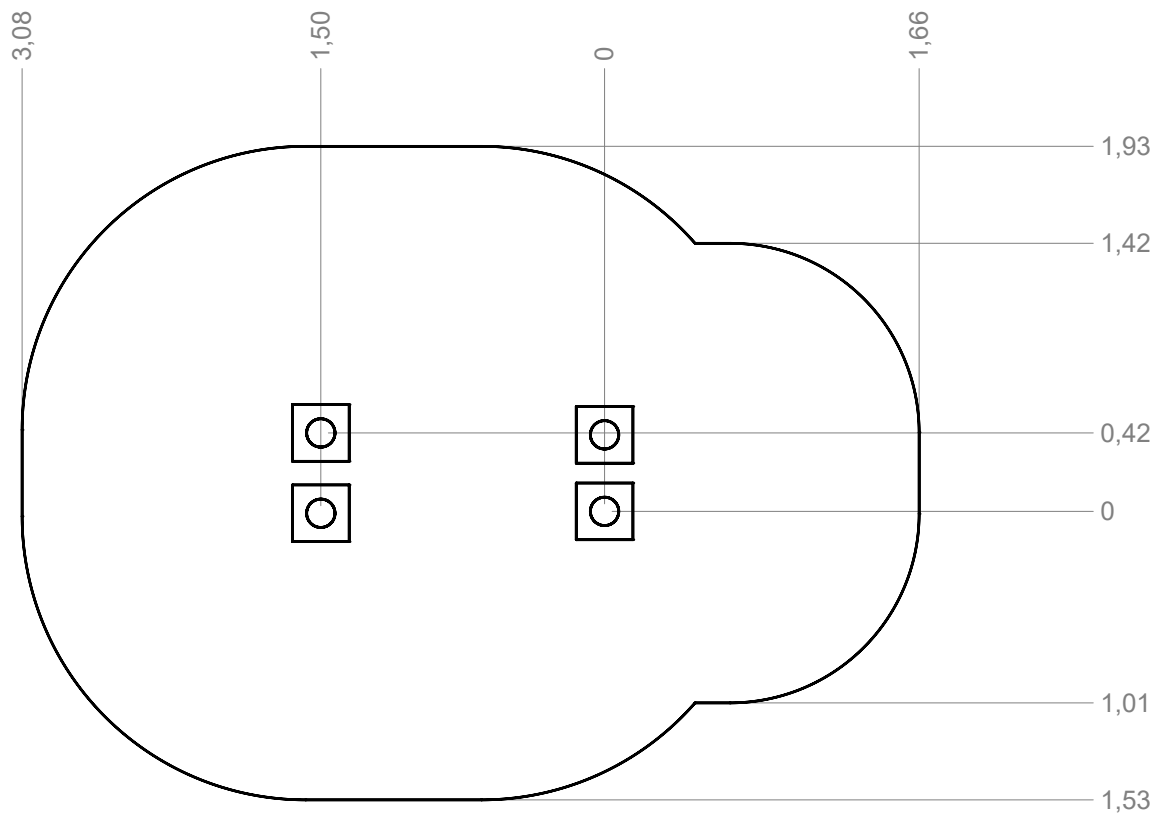
— Sol fluent
Loos partucule material **18 m**
Arenero
Loses Bodenmaterial **18 m²**
Los bodemmaterial



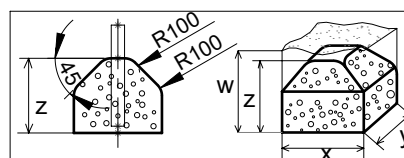







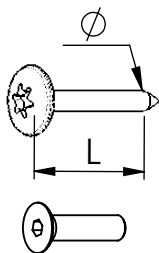
Implantation
 Footing plan
 Implantación
 Fundamentplan
 Funderingstekening



 x2
 2H
 0.1 m³

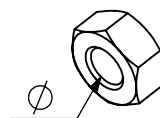


	x	y	z	w
	0.3	0.3	0.3	0.6
	0.4	0.4	0.3	0.6
	0.6	0.3	0.3	0.6



VBT 6 x 30
 \varnothing \uparrow L (mm)

VFHC



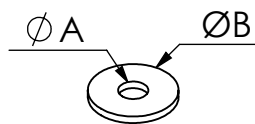
VEC M10
 \varnothing



VEF



VEB

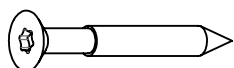


VR6x18
 $\varnothing A$ $\varnothing B$

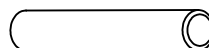
VTHA

1000 - 1800 tr/min
 Vitesse de rotation
 Rotation speed

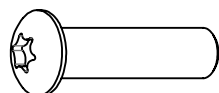
14 N.m
 Couple de rupture
 Torque of break



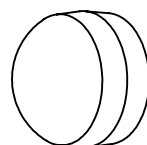
VWT



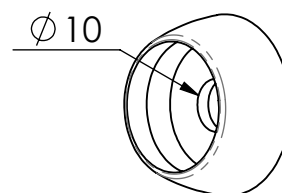
VGC



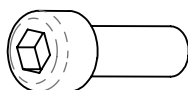
VCBHC



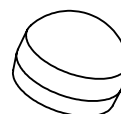
M10 440N



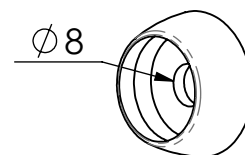
M10 310 N



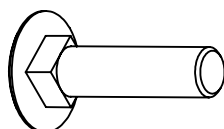
VBTR



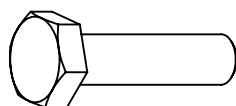
M8440N



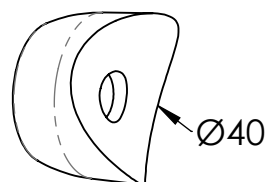
M8310N



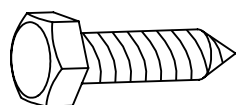
VTRCC



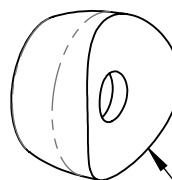
VTH



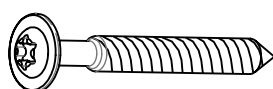
MI2503



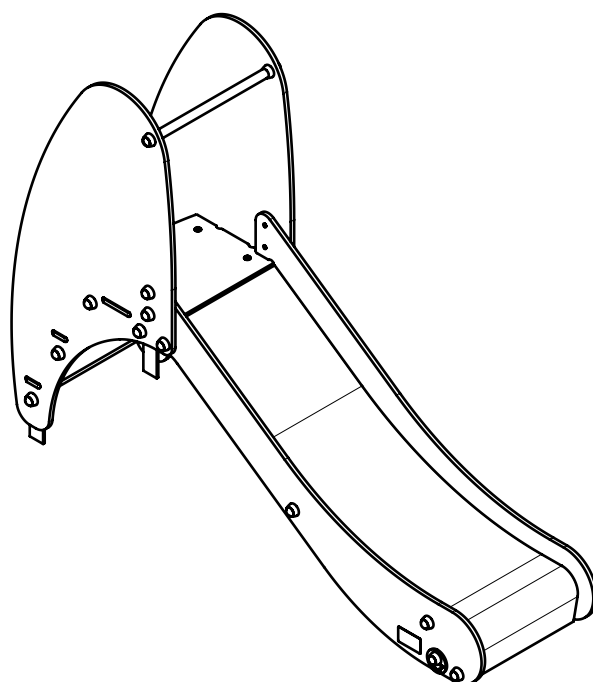
VTF



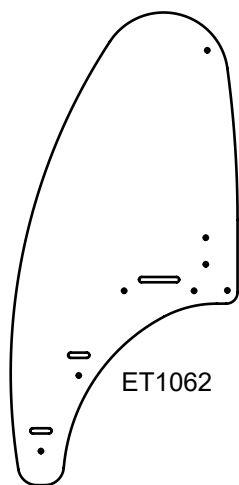
MI2701



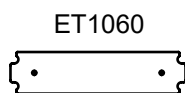
VBT



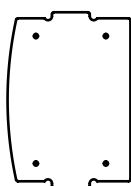
Réf	Qté
ET1059PL	2
ET1060PL	2
ET1061PL	1
ET1062PV	2
LA000	1
LG07	1
LG08	2
LZ470	1
M1018	1
M10310N	35
M10440N	33
MI0002	1
MU1012	1
P13	2
P20	4
VCBHCM10x30I	23
VCBHCM10x40I	8
VEFM10	32



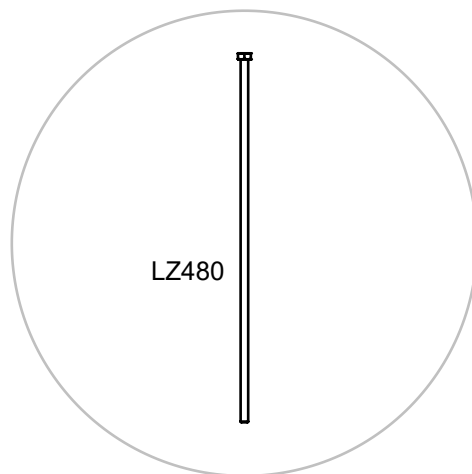
ET1062



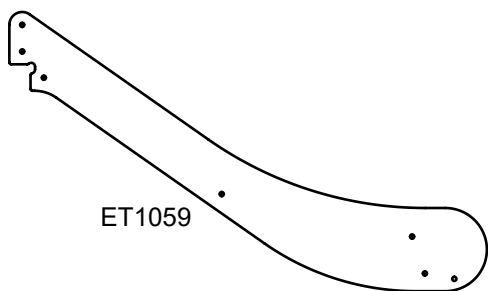
ET1060



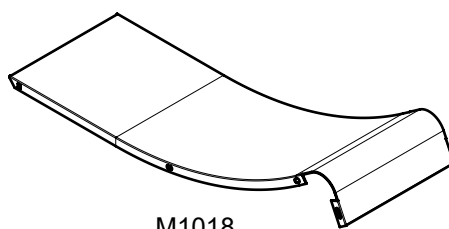
ET1061



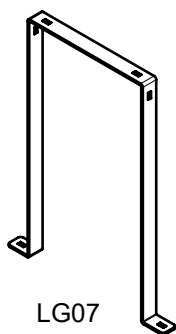
LZ480



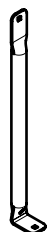
ET1059



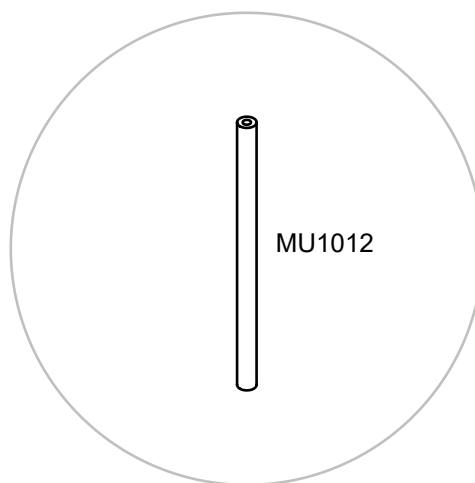
M1018



LG07

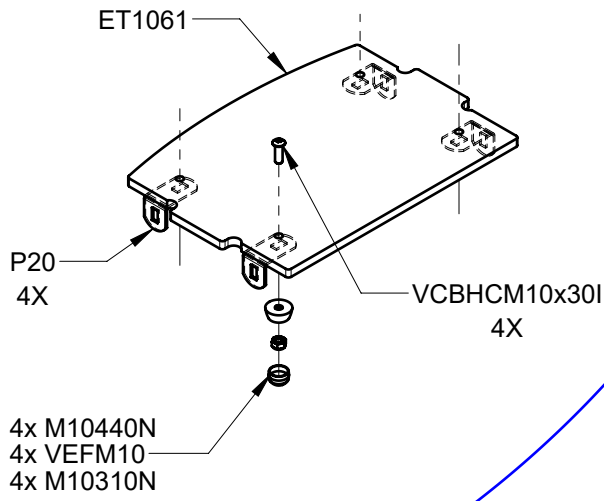


LG08

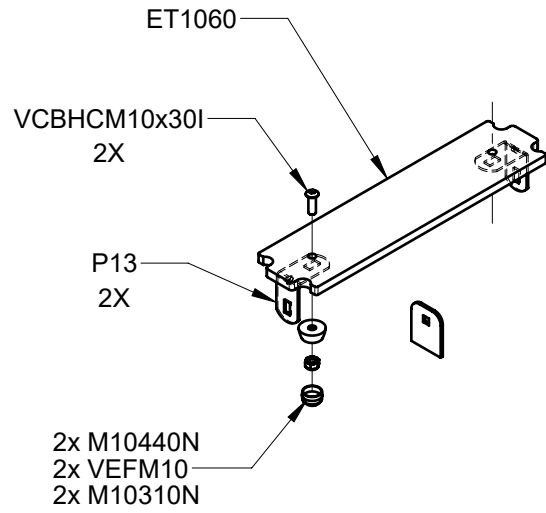


MU1012

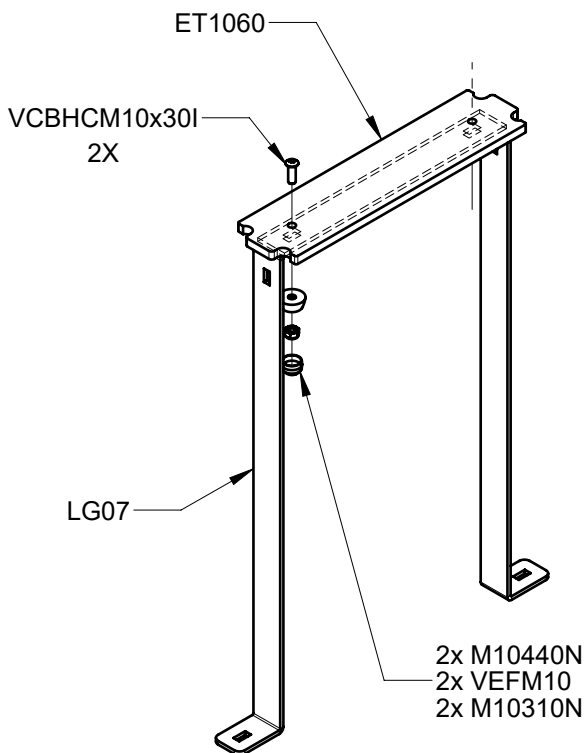
A



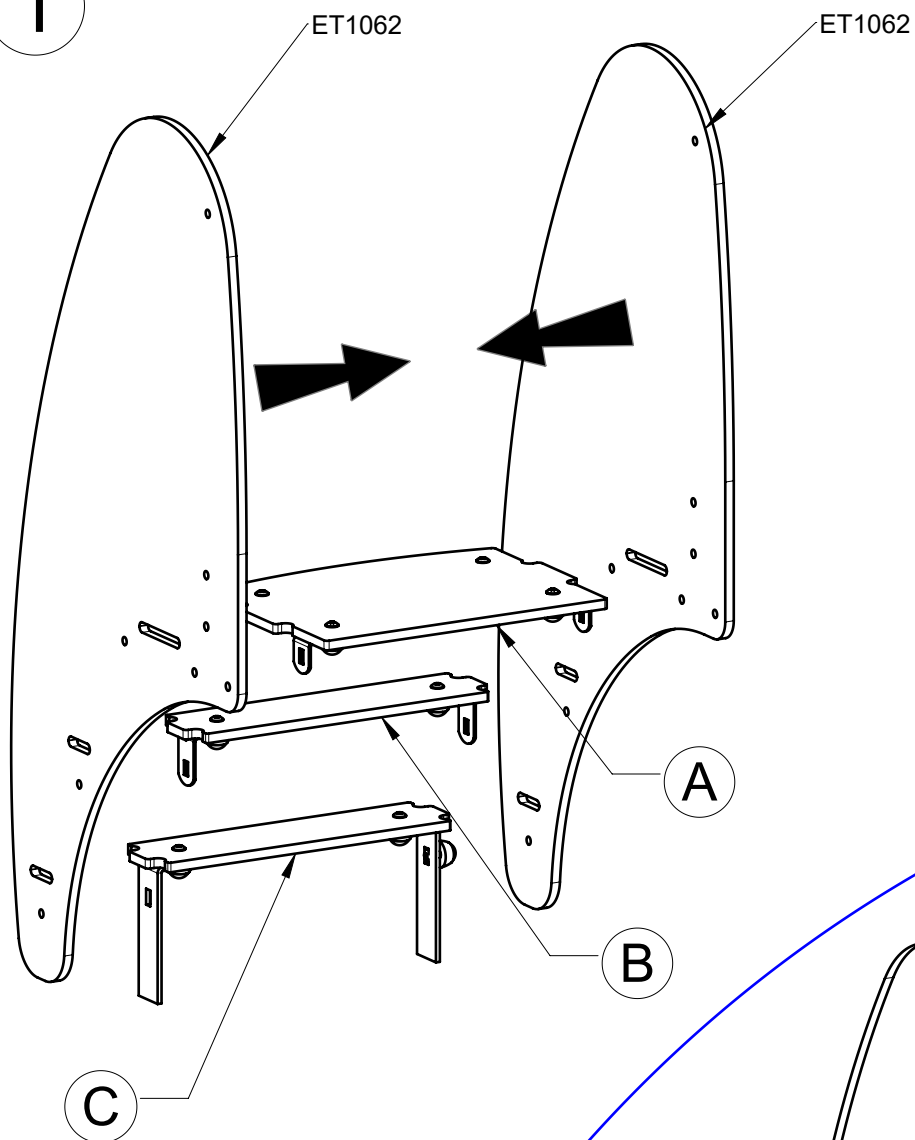
B



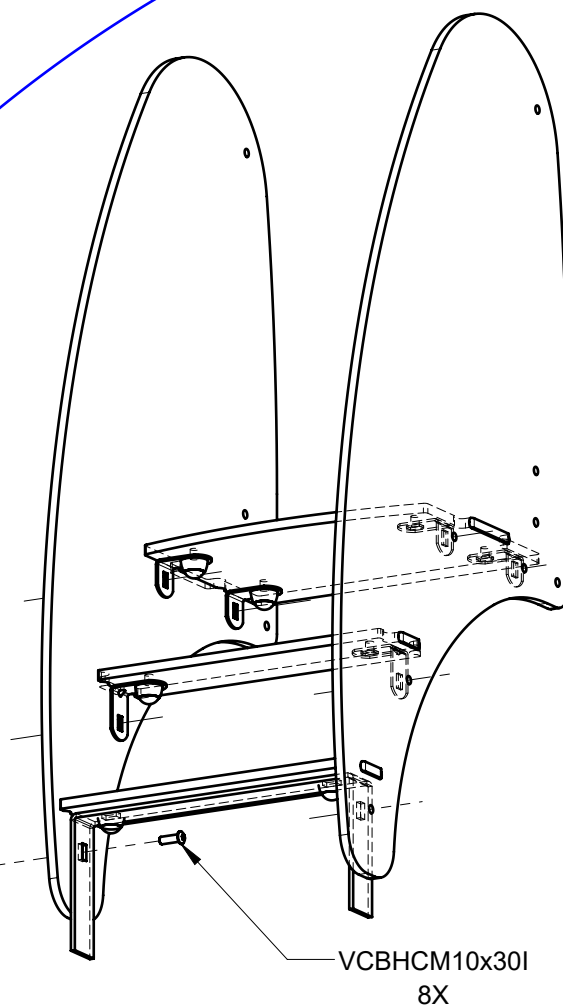
C



1



8x M10440N
8x VEFM10
8x M10310N



2

