

INSTRUCTIONS FOR USE: 70-122 V05 030920

Ergo.

02970, 02971, 02974, 02975.

Intended use:


This desk has been designed exclusively for use in schools, colleges and training establishments and is therefore intended solely for this purpose. Any other use that goes beyond the intended purpose (e.g. in workshops, storage areas or damp locations) is classed as not in accordance with the intended use. The company VS Vereinigte Spezialmöbelfabriken GmbH & Co. KG shall not be held liable for damage arising from such non-intended use.

General note on reading and storing the instructions:

Please read these instructions and in particular the notes on safety carefully and in full before using the products. Keep the instructions in a safe place for subsequent reference and pass them on to other users.

General note on safety:

We use the following symbols and notes in our assembly instructions:

 **Caution!** This symbol refers to an important note on assembly.

On the internet:

Alternatively, they can be downloaded: (see header title).

Standardize:

Tested according to DIN EN 1729 Part 1 + 2, size class 3 to 7.

Scope of delivery:

The product is delivered fully assembled.

Operation:

Follow the instructions on the following page.

Troubleshooting and service:

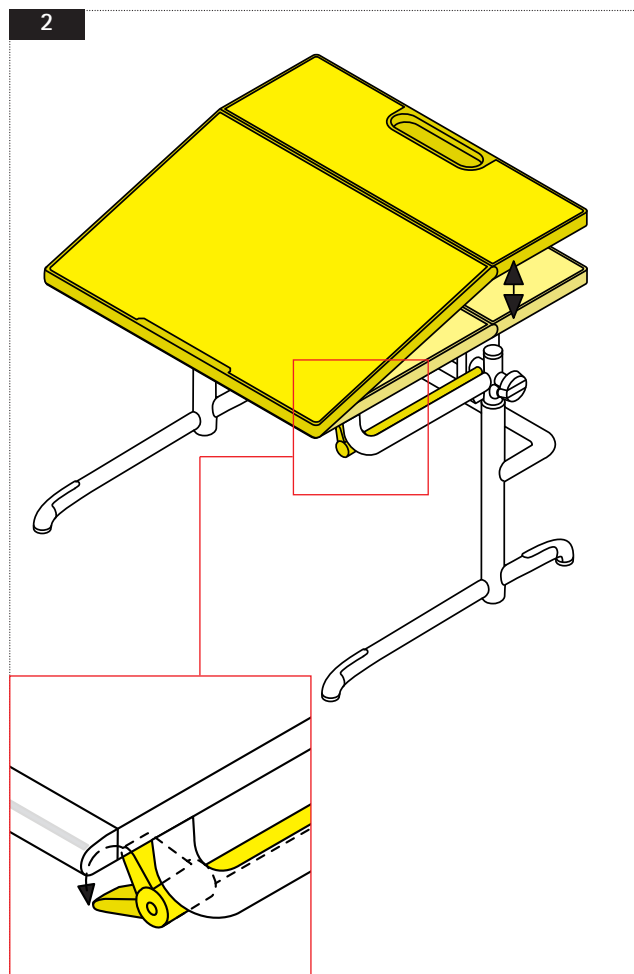
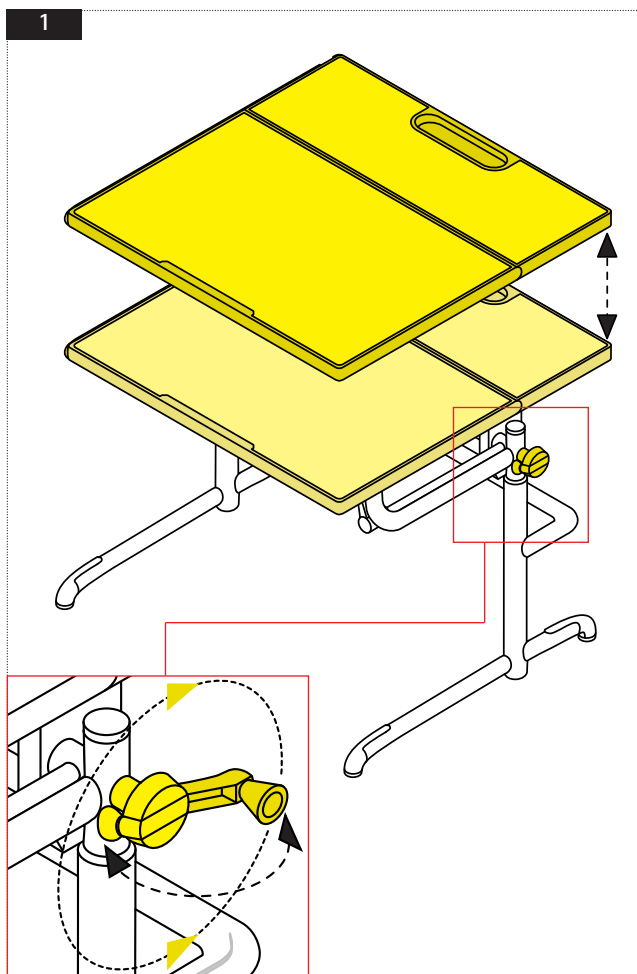
If faults occur, please contact our Aftersales Service kundenservice@vs-moebel.de

Maintenance and Cleaning

On the internet: vs.de/kataloge/reinigung/en

Forwarding / disposal:

Also pass on these assembly instructions if the product is forwarded to another party. Please contact your relevant local authority for information on environmentally compatible disposal.



1. Table height adjustment (Bild 1)

- Stepless height adjustment from 56.5 to 82 cm
- Height continuously adjustable from size 3 to 7 by means of a maintenance-free angular gear.
- Height can be read off the scale to be found on the inner tube.

2. Table top adjustment (Bild 2) (only for Models 02974 and 02975)

- The table top can be steplessly inclined from 0° to 16° using the maintenance and wear free adjusting mechanism.
- Turn the locking handle anticlockwise through 90° (underneath the table top on the pupil's side) and hold it.
- Grip the desktop at the sides and move it until it slopes at the required angle.
- Release the handle which returns to its original position thereby locking the table top.

3. With castors (optional)

Before performing this operation, make sure that there is nothing on the desk. Only clear, empty desks may be moved on their castors. To prevent damage to the castors, do not wheel the desks over door sills or uneven surfaces.



Caution! Only lift the desk by a small amount as it may otherwise tip over.

The indicated electric and electronic components must not be disposed of with the ordinary waste.

They must be removed from the furniture unit before the unit is sent for disposal.

They are to be disposed of at authorized collection and return points.

