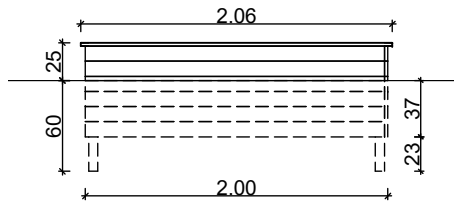
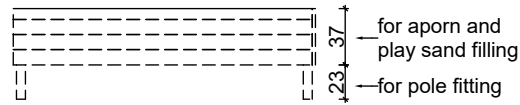


# sandbin

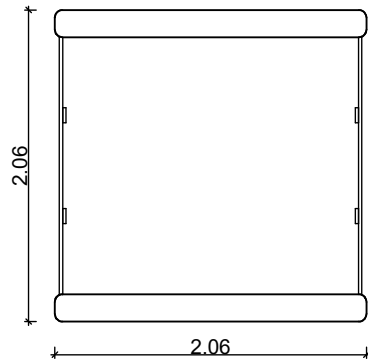
view



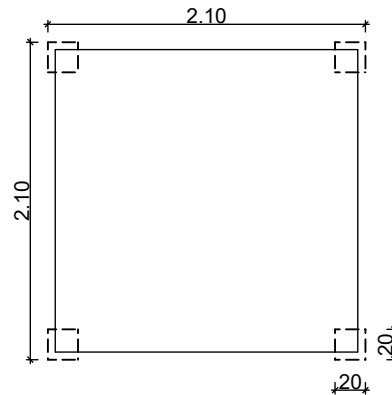
terrestrail spoil



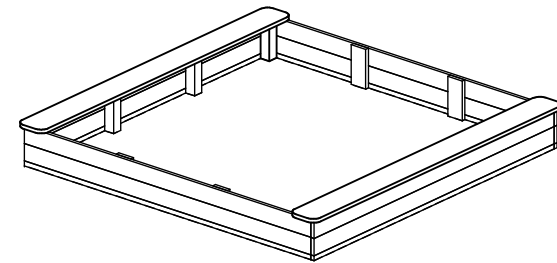
top view



terrestrail spoil




perspective  
without scale



**wood certification: see order**

The minimum area must be free of obstacles to/on which the user can during his movement unexpectedly fall or crash. Hard and sharp objects, as well as trip-surfaces count as obstacles.

project:	sandbin	scale:	A4; 1:50	page:	1/1
address:		date:	09.10.2023	fall height:	max. 0,25m
advisor:		editor:	K. Kern		
article or pos. ID:	8.08.7	order no.:			
project ID:		drawing type:	assembly		
 Master enterprice of woodcarving handicrafts © SIK-Holzgestaltungs GmbH					

# ASSEMBLING INSTRUCTION

## 8.08.7 Sandbox "Square"

### Scope of delivery

Amount	Denomination	Measure
4	sidewalls at 30 kg	120 kg
<b>Sum</b>		<b>approx. 120 kg</b>

All weights are approximate. The heaviest component is highlighted in bold.

### Tools

- spade, shovel, tape measure, spirit level
- socket wrench 17 / 19 mm, screwdriver with insert Torx Bit (TX 10-30)
- 2 persons (2 installers at 2 h)

### Assembling

- First, the playing surface (security area) should be measured, set the point (height) and the start point can be determined.
- Determine the foundation positions according to plan.
- Sidewalls according to marking (Number on number and/or letter on letter / numbers indicate in brackets the screw length) mount.
- Lift the sandbox into the prepared holes, to adjust by means of spirit level, make them solid, fill game surface again and clear the game surface for playing.
- Transportation braces and installation damage are to be removed after installation on site, grind and paint damaged areas.

### Security guidelines

During assembly and transport on site, play towers and/or attachment parts must always be adequately secured, either through technology or through attached transportation bracing.

### Preventive maintenance instructions

**An operational check of the equipment must be carried out 2 weeks after installation.** Here the main attention should be paid to tight screw joints and stability. In general the equipment should be checked on a regular basis. A visual routine inspection should be carried out on a weekly basis. An operative inspection should be performed every 1-3 months and the general or main inspection has to happen on an annual basis. We recommend to check stability of posts once a year and to expose foundations, let them dry and to repaint them also below ground level above the foundation with a solvent free glaze. **(Further information concerning maintenance can be found in our *Checklist for Maintenance/ Inspection*, in our *General Maintenance Notes* and also in our catalogues, as well as on our website [www.sik-holz.de/en](http://www.sik-holz.de/en))**