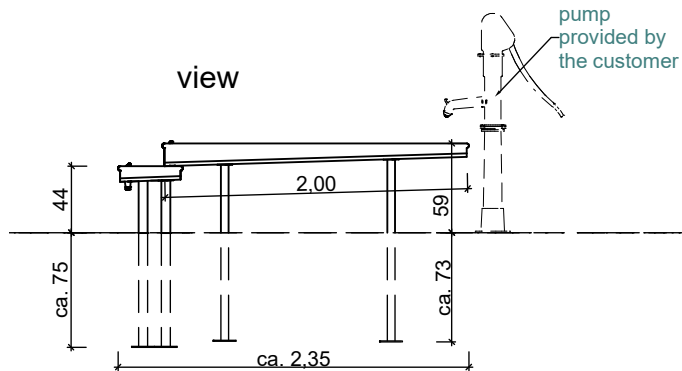
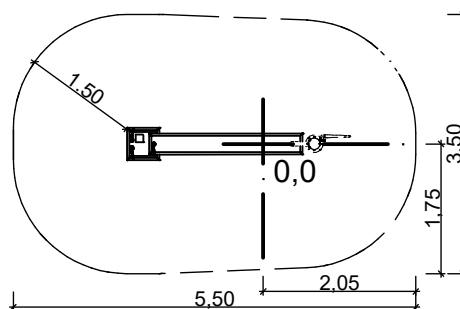


Water play unit »Nuthe«

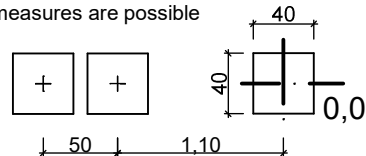


topview with
minimum safety area
scale 1:100 m,cm



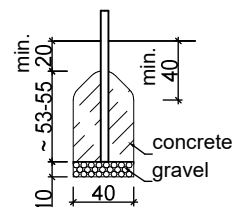
foundation plan
check measurements
on building site

because of crooked trees different
measures are possible



foundation detail
-without scale-

-minimum soil class III;
check compression or
make foundation bigger-



The minimum area must be free of obstacles to/on which the user can during his movement unexpectedly fall or crash.
Hard and sharp objects, as well as trip-surfaces count as obstacles.

project:	Water play unit »Nuthe«	scale:	A4; 1:50	page:	1/1
address:		date:	28.04.2021	fall height	max. ---
advisor:		editor:	V.Liehr	<p>Master enterprice of woodcarving handicrafts © SIK-Holzgestaltungs GmbH</p>	
article ID:	8.05.68	order no.:			
project ID:		drawing type	assembly		

ASSEMBLING INSTRUCTION

8.05.68 Water Play Unit "Nuthe"

Scope of delivery

Amount	Denomination	Measure
1	water basin (stainless steel)	40 kg
1	water gutter (stainless steel)	50 kg
sum		approx. 90 kg

All weights are approximate. The heaviest component is highlighted in bold.

Tools

- spade, shovel, tape measure, spirit level
- socket wrench 17 / 19 mm, screwdriver with insert Torx Bit (TX 10-30)
- 2 persons (2 installers at 3 h)
- approx. concrete 0.25 m³ C 20/25

Assembling

- First, the playing surface (security area) should be measured, set the point (height) and the start point can be determined.
- Determine the foundation positions according to plan.
- Digging holes, depending on the section for the unit and bringing in gravel shift 10 cm in order to prevent stagnant moisture.
- **Installation depths (cut, mark) on the post are to consider.**
- Lift the water basin and water gutter one after another into the prepared holes to adjust by means of spirit level and make them solid.
- It has to be on a slight slope to water storage in the course of the gutter. Before creating the foundations a sample stream is carried out in order to make any corrections.

Attention: if not adequately secured play towers or attachment parts may be tipping!

- After everything is assembled and aligned, the foundation according to the drawing can be properly completed.
- After 3-5 days of curing time, tightening all screw joints which fill game surface again and clear the game surface for playing.
- Transportation braces are to be removed after installation on site.
- **Notice:** concrete needs about 28 days in order completely to harden.

Security guidelines

During assembly and transport on site, play towers and/or attachment parts must always be adequately secured, either through technology or through attached transportation bracing.

Required safety areas/ falling space around equipment are indicated on the installation drawings.

Playground equipment with a potential height of fall of more than 600 mm and/or a forced movement require an impact attenuating/ shock-absorbing surface in the whole impact area below them according to the **EN 1176 and EN 1177**. (Non-shock-absorbing undergrounds are for example without limitation: bricks, stones, concrete, bitumen and wood.)

Preventive maintenance instructions

An operational check of the equipment must be carried out 2 weeks after installation. Here the main attention should be paid to tight screw joints and stability. In general the equipment should be checked on a regular basis. A visual routine inspection should be carried out on a weekly basis. An operative inspection should be performed every 1-3 months and the general or main inspection has to happen on an annual basis.

We recommend to check stability of posts once a year and to expose foundations, let them dry and to repaint them also below ground level above the foundation with a solvent free glaze. **(Further information concerning maintenance can be found in our *Checklist for Maintenance/ Inspection*, in our *General Maintenance Notes* and also in our catalogues, as well as on our website www.sik-holz.de/en)**