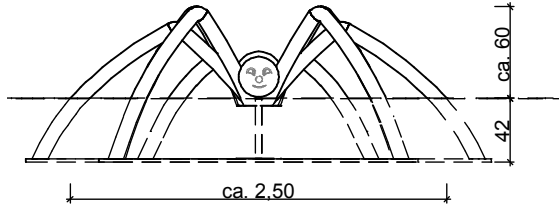


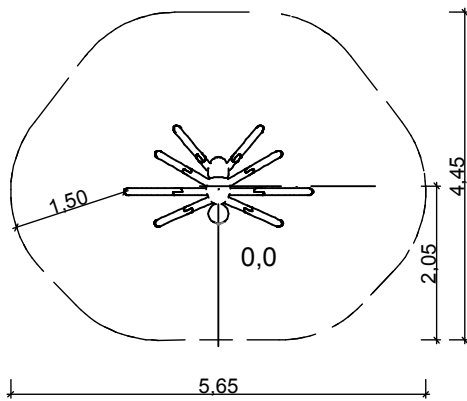
# Sculptur "Small Spider"



view

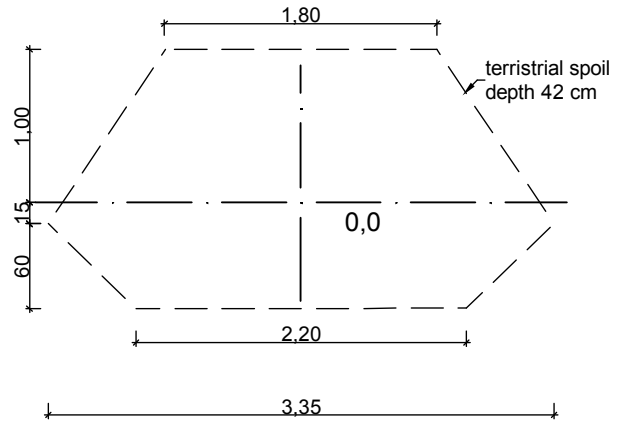


topview with  
minimum safety area  
scale 1:100 m,cm



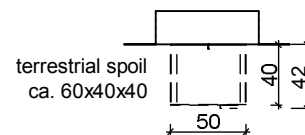
grounding plan  
check measurements  
on building site

because of crooked trees different  
measures are possible



grounding detail  
without scale

ground anchor 11.1.5



minimum 25 cm well compressed soil  
on the silkscreen panel of the ground  
anchor

project:	Sculptur "Small Spider"	scale:	A4; 1:50	page:	1/1
address:		date:	07.10.2016		
editor:	V.Liehr	<p>Master enterprise of woodcarving handicrafts © SIK-Holzgestaltungs GmbH</p>			
article ID:	7.40.1.1				
project ID:	assembly				

# ASSEMBLING INSTRUCTION

## 7.40.1.1 Sculpture "Small Spider"

### Scope of delivery

Amount	Denomination	Measure
1	<b>Sculpture with 1 ground anchor</b>	200 kg
<b>Sum</b>	<b>approx.</b>	<b>200 kg</b>

All weights are approximate. The heaviest component is highlighted in bold.

### Tools

- spade, shovel, tape measure, spirit level
- socket wrench 17 / 19 mm, screwdriver with insert Torx Bit (TX 10-30)
- 2 persons (2 installers at 3 h) , wheel loader with palette fork and shovel

### Assembling

- Determine the foundation positions according to plan.
- Surface digging for ground anchor and spider legs with connecting boards according to assembly drawing.
- Sculpture lifting, ground anchor mount, lift and align in the prepared surface.
- The excavated soil in layers well compacted fill to ground anchor.

### NOTE:

The base plate have at least loaded with 120 kg of compacted filler be equivalent to a height of 25 cm well compressed soil of the ground anchor.

If this limit is not reached, we recommend a concrete base of 20 cm height.

- Installation damage is to be removed after installation on site, grind and paint damaged areas.

### Security guidelines

During the assembly and transport to the site or attachment parts must play towers always be adequately protected, either through technology or through attached transportation braces.

***You take the case room for the game device from the installation drawing please.***

Near game devices with a free drop height of more than 600 mm and/or an enforce move after **EN 1176-1:2008 4.2.8.5.2, bzw. EN 1177** must be shock-absorbing playground grounds in the entire strike field. (Than are not valid in a shock-absorbing way bricks, stones, concrete, bitumen and wood).

### Preventive maintenance instructions


The device is to be checked 2 weeks after his arrangement for flawless function. Basically attention should be paid in this case to screw joints and the stability.

The game device should once in the week of a visual routine – inspection as soon as once in the month a functional inspection is subjected to.

Once per year the main inspection is to be carried out.

We recommend, to dig the device freely once in the year up to the foundations and to colour the equipment pieces with a solvent free herb varnish.

**(see also check list regular maintenance and the tips in the catalogue of the SIK-Holzgestaltungs GmbH)**

Rev. 05.2016	Page 1 von 1	MASTER ENTERPRISE OF WOODCARVING HANDICRAFTS / © SIK-Holzgestaltungs GmbH	
FURTHER INFORMATION: SIK-HOLZGESTALTUNGS GMBH, LANGENLIPSDORF 54 A, D-14913 NIEDERGÜRSDORF; +49(0)33742.799 0; WWW.SIK-HOLZ.DE; INFO@SIK-HOLZ.DE			