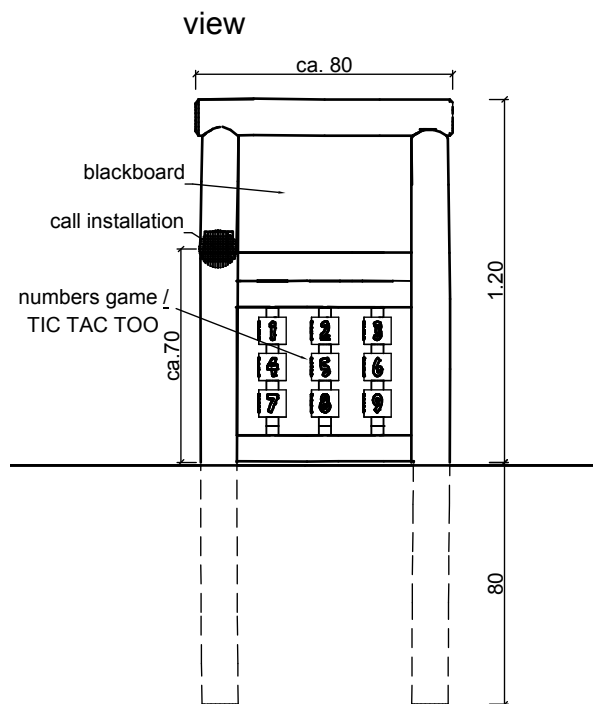
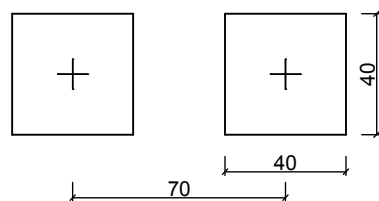


Senses play »Handy«

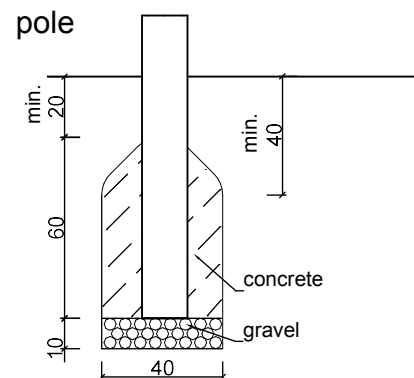


foundation plan
check measurements
on building site
because of crooked trees different
measures are possible



foundation detail
without scale

minimum soil class III; check compression
or make foundation bigger



projekt: Senses play »Handy«		
address:		
editor: V.liehr		
article ID: 7.150.3.25	date: 24.04.12	
project ID: assembly	scale: A4; 1:25	

ASSEMBLING INSTRUCTION

7.150.3.25 Sensory Game "Mobile Phone" for children

Scope of delivery

Amount	Denomination	Measure
1	sound play	60 kg
Sum		approx. 60 kg

All weights are approximate. The heaviest component is highlighted in bold.

Tools

- spade, shovel, tape measure, spirit level
- socket wrench 17 / 19 mm, screwdriver with insert Torx Bit (TX 10-30)
- 2 persons (2 installers at 2 h)
- approx. concrete 0.15 m³ C 20/25

Assembling

- First, the playing surface (security area) should be measured, set the point (height) and the start point (sensory game) can be determined.
- Determine the foundation positions according to plan.
- Digging holes depending on the section for the play unit and depending on the ground conditions a drainage layer, for example gravel layer 10 cm in order to prevent stagnant moisture.
- **Installation depths (cut, mark) on the post and/ or slide are to consider.**
- Lift the sensory game into the prepared holes, to adjust by means of spirit level and make them solid.

Attention: if not adequately secured play towers or attachment parts may be tipping!

- After everything is assembled and aligned, the foundation according to the drawing can be properly completed.
- After 3-5 days of curing time, tightening all screw joints and which fill game surface again.
- Transportation braces and installation damage are to be removed after installation on site, grind and paint damaged areas.
- **Notice:** concrete needs about 28 days in order completely to harden.

Security guidelines

During assembly and transport on site, play towers and/or attachment parts must always be adequately secured, either through technology or through attached transportation bracing.

Preventive maintenance instructions

An operational check of the equipment must be carried out 2 weeks after installation. Here the main attention should be paid to tight screw joints and stability. In general the equipment should be checked on a regular basis. A visual routine inspection should be carried out on a weekly basis. An operative inspection should be performed every 1-3 months and the general or main inspection has to happen on an annual basis. We recommend to check stability of posts once a year and to expose foundations, let them dry and to repaint them also below ground level above the foundation with a solvent free glaze. **(Further information concerning maintenance can be found in our Checklist for Maintenance/ Inspection, in our General Maintenance Notes and also in our catalogues, as well as on our website www.sik-holz.de/en)**