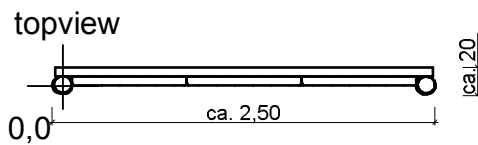
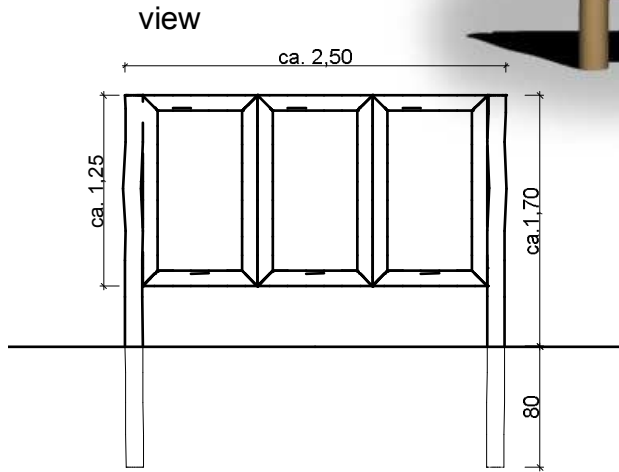
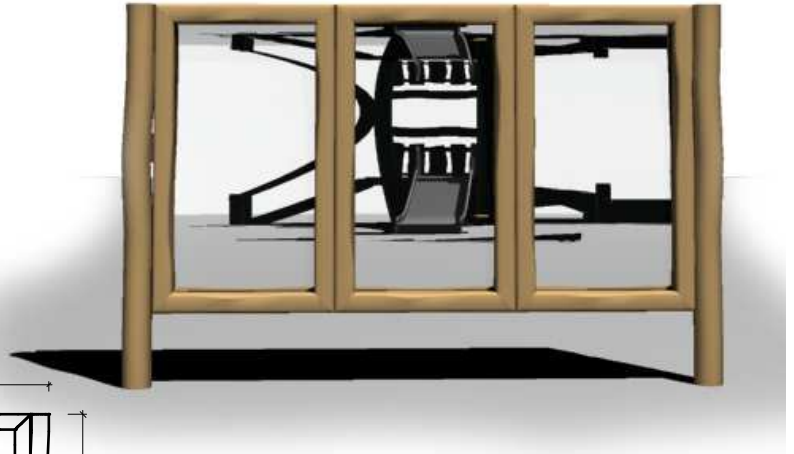
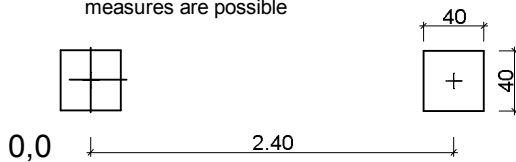


# Distorting Mirrors 3 part -single standing-



foundation plan  
check measurements  
on building site  
because of crooked trees different  
measures are possible



foundation detail  
-without scale-  
-minimum soil class III;  
check compression or  
make foundation bigger-



project:	Distorting Mirrors 3 part	scale:	A4; 1:50	page:	1/1
address:		date:	17.09.2018		
editor:	V.Liehr	<p>Master enterprise of woodcarving handicrafts © SIK-Holzgestaltungs GmbH</p>			
article ID:	7.150.3.22.5				
project ID:	assembly				

# ASSEMBLING INSTRUCTION

## 7.150.3.22.5 Distorting Mirrors 3 part

### Scope of delivery

Amount	Denomination	Measure
1	<b>mirror (3 part)</b>	100 kg
2	posts at 20 kg	40 kg
<b>Sum</b>		<b>approx. 140 kg</b>

All weights are approximate. The heaviest component is highlighted in bold.

### Tools

- spade, shovel, tape measure, spirit level, hammer and ladder
- socket wrench 17 / 19 mm, screwdriver with insert Torx Bit (TX 10-30)
- 2 persons (2 installers at 2 h), wheel loader with palette fork
- approx. concrete 0.15 m<sup>3</sup> C 20/25

### Assembling

- First, the playing surface (security area) should be measured, set the point (height) and the start point (mirror) can be determined.
- Put the posts on the ground and install the mirror after marking (number on number and letter on letter / numbers in parentheses indicate the screw length).
- Determine the foundation positions according to plan. **Measures are to be checked by the client/customer, because of the natural growth forms of the wood.** To determine the position of the foundations, use the attaching parts.
- Digging holes depending on the section for the play unit and depending on the ground conditions a drainage layer, for example gravel layer 10 cm in order to prevent stagnant moisture.
- **Installation depths (cut) on the stand post are to be considered.**
- Lift the mirror into the prepared holes, to adjust by means of spirit level and make them solid.

**Attention:** if not adequately secured play towers or attachment parts may be tipping!

- After everything is assembled and aligned, the foundation according to the drawing can be properly completed.
- After 3-5 days of curing time, tightening all screw joints which fill game surface again and clear the game surface for playing.
- Transportation braces and installation damage are to be removed after installation on site, grind and paint damaged areas.
- **Notice:** concrete needs about 28 days in order completely to harden.

### Security guidelines

During assembly and transport on site, play towers and/or attachment parts must always be adequately secured, either through technology or through attached transportation bracing.

### Preventive maintenance instructions

**An operational check of the equipment must be carried out 2 weeks after installation.** Here the main attention should be paid to tight screw joints and stability. In general the equipment should be checked on a regular basis. A visual routine inspection should be carried out on a weekly basis. An operative inspection should be performed every 1-3 months and the general or main inspection has to happen on an annual basis. We recommend to check stability of posts once a year and to expose foundations, let them dry and to repaint them also below ground level above the foundation with a solvent free glaze. **(Further information concerning maintenance can be found in our Checklist for Maintenance/ Inspection, in our General Maintenance Notes and also in our catalogues, as well as on our website [www.sik-holz.de/en](http://www.sik-holz.de/en))**