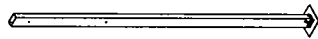
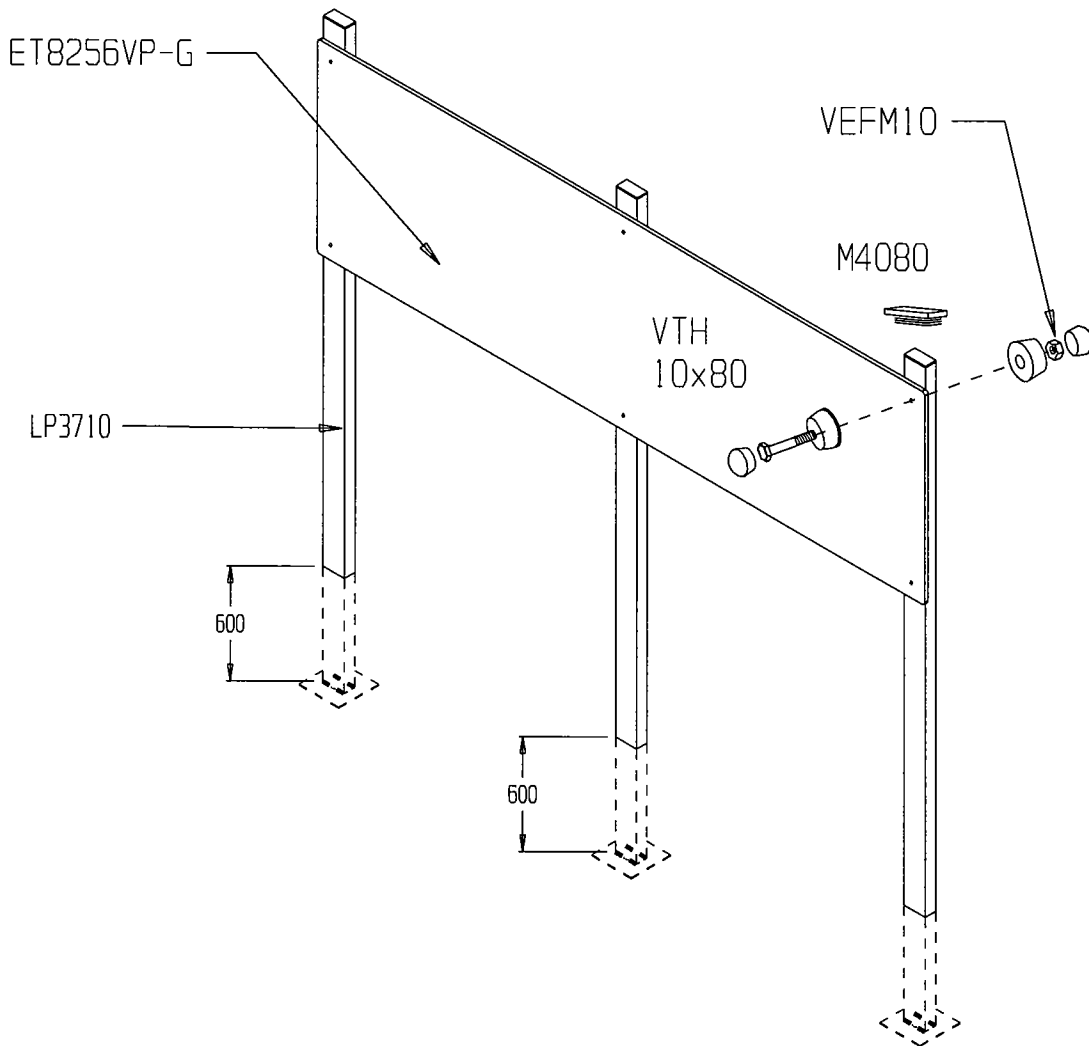
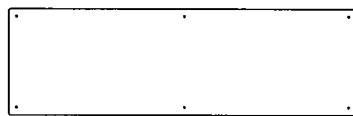


 16 ou 17			
 X1	 0H30	 0,06M ³	

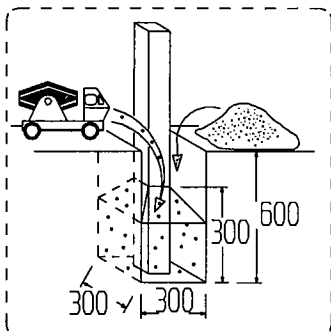
21-06-2007



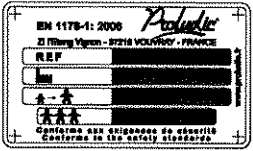
LP3710 x 3



ET8256VP-G x 1

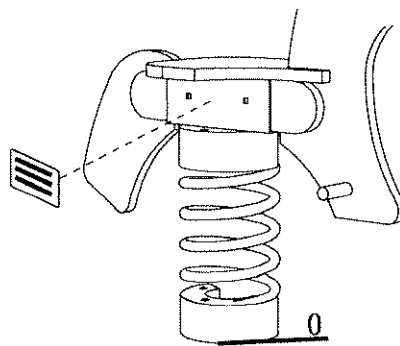
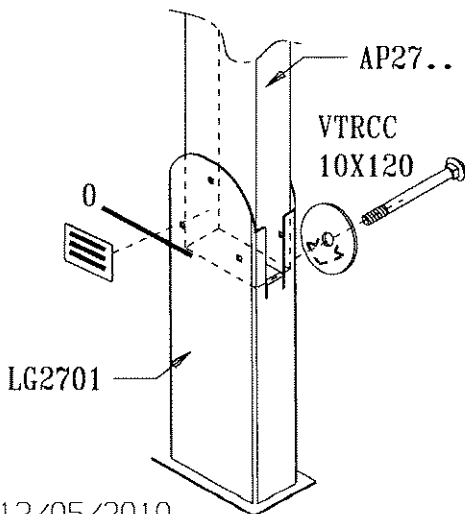
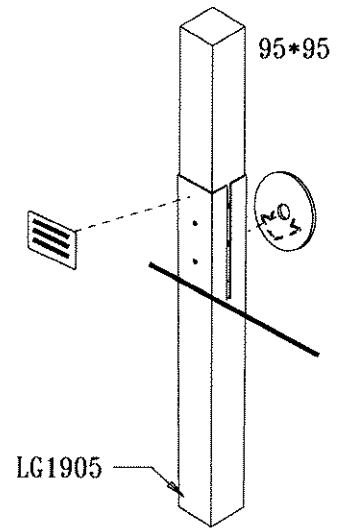
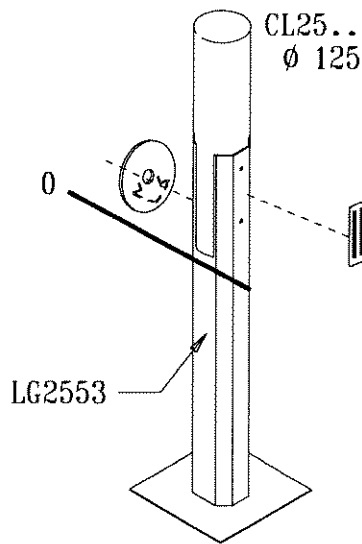
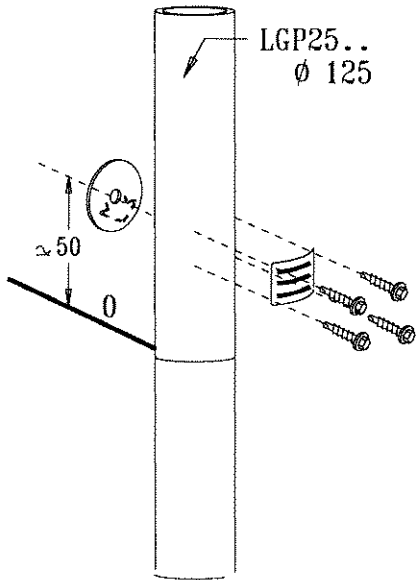
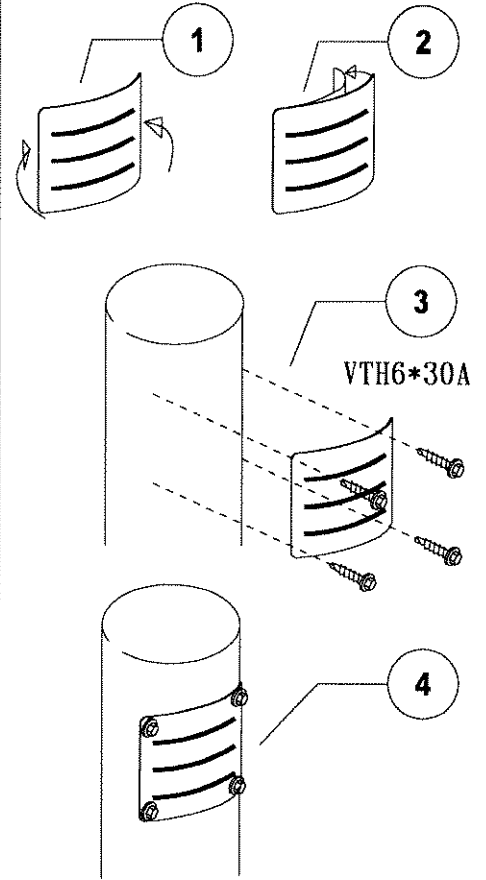
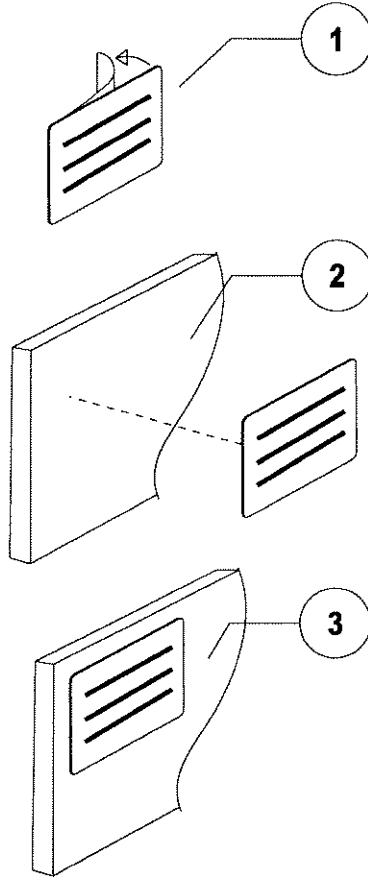
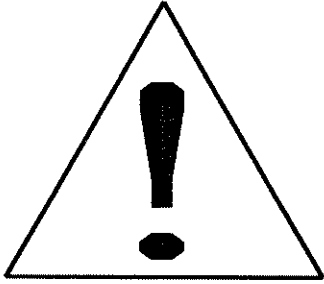


	VTH 10x80	6
	M10310	12
	M10440	12
	VEFM10	6
	M4080	3

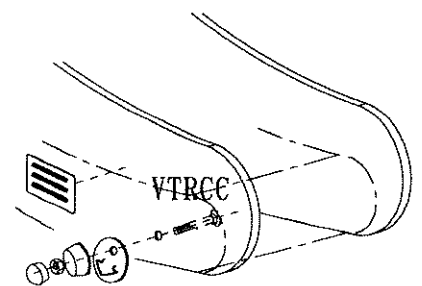


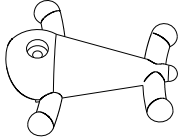
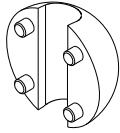
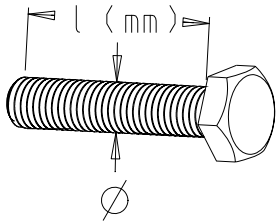
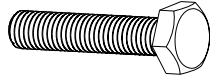

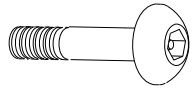
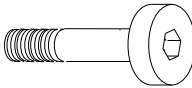
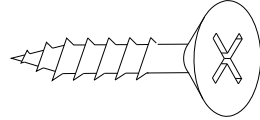
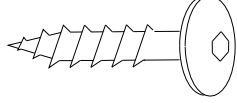
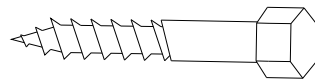
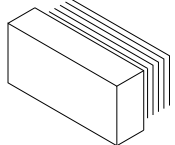
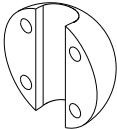
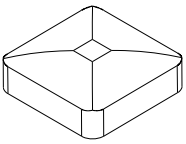
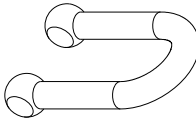
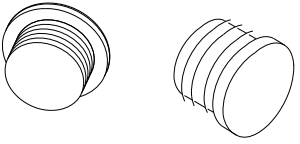
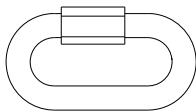
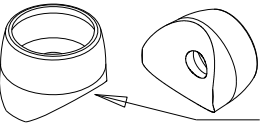
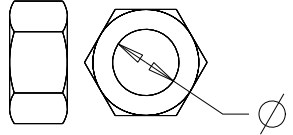
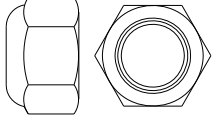
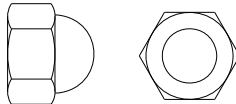
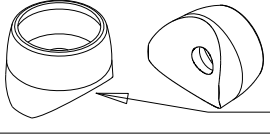
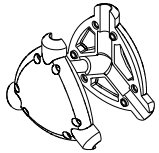
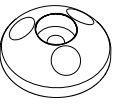
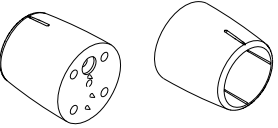
LA000

MI0002



3/4



	M100VJ		MI6A	 <p>VTH 10 x 120</p> <p>Ø</p> <p>l (mm)</p>  <p>VTH</p>  <p>VTRCC</p>  <p>VCBHC</p>  <p>VBTR</p>  <p>VWT</p>  <p>VBT</p>  <p>VTF</p>
	M4080		MI6B	
	MI0001N		RMANI06	
	M42		RMARA06	
	MI2503 Ø 40	 <p>VECMØ nut</p>  <p>VEFMØ locknut</p>  <p>VEBMØ blind nut</p>		
	MI2701 Ø 60			
	MI28N			
	MI323J			
	MI5C			