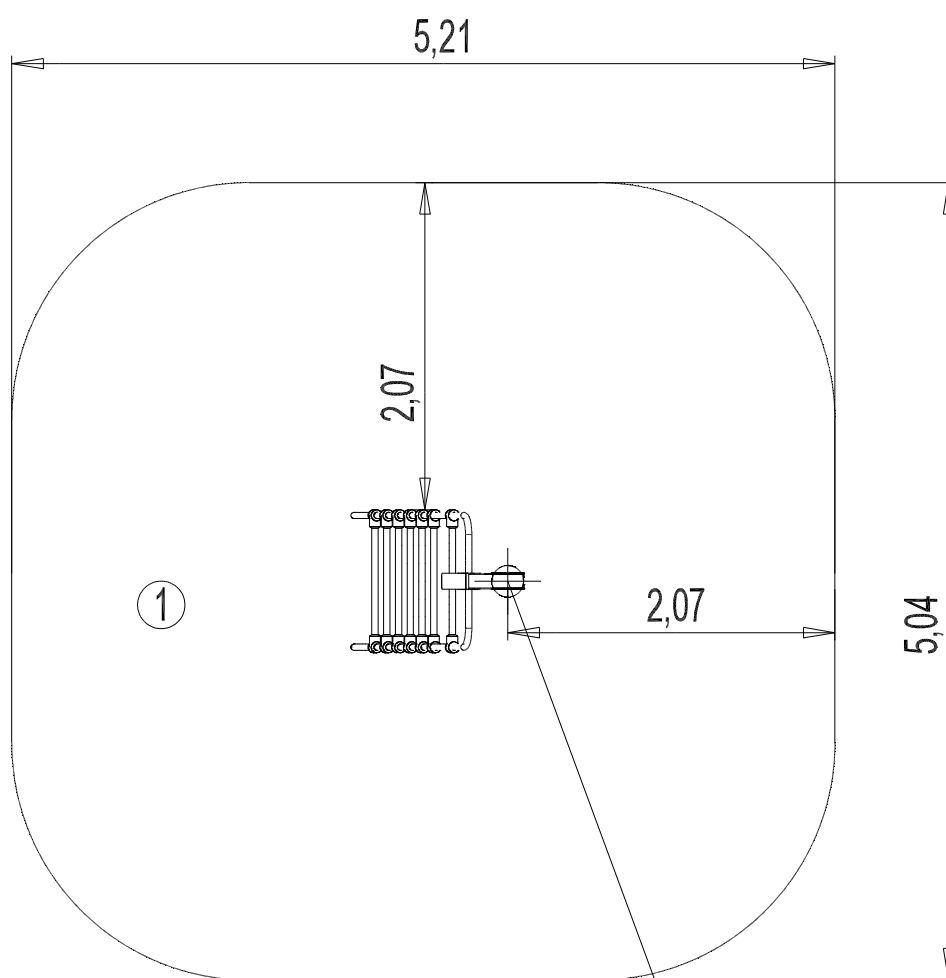


N°	2,35 m	24,5 m ²
①	2,35 m	24,5 m ²

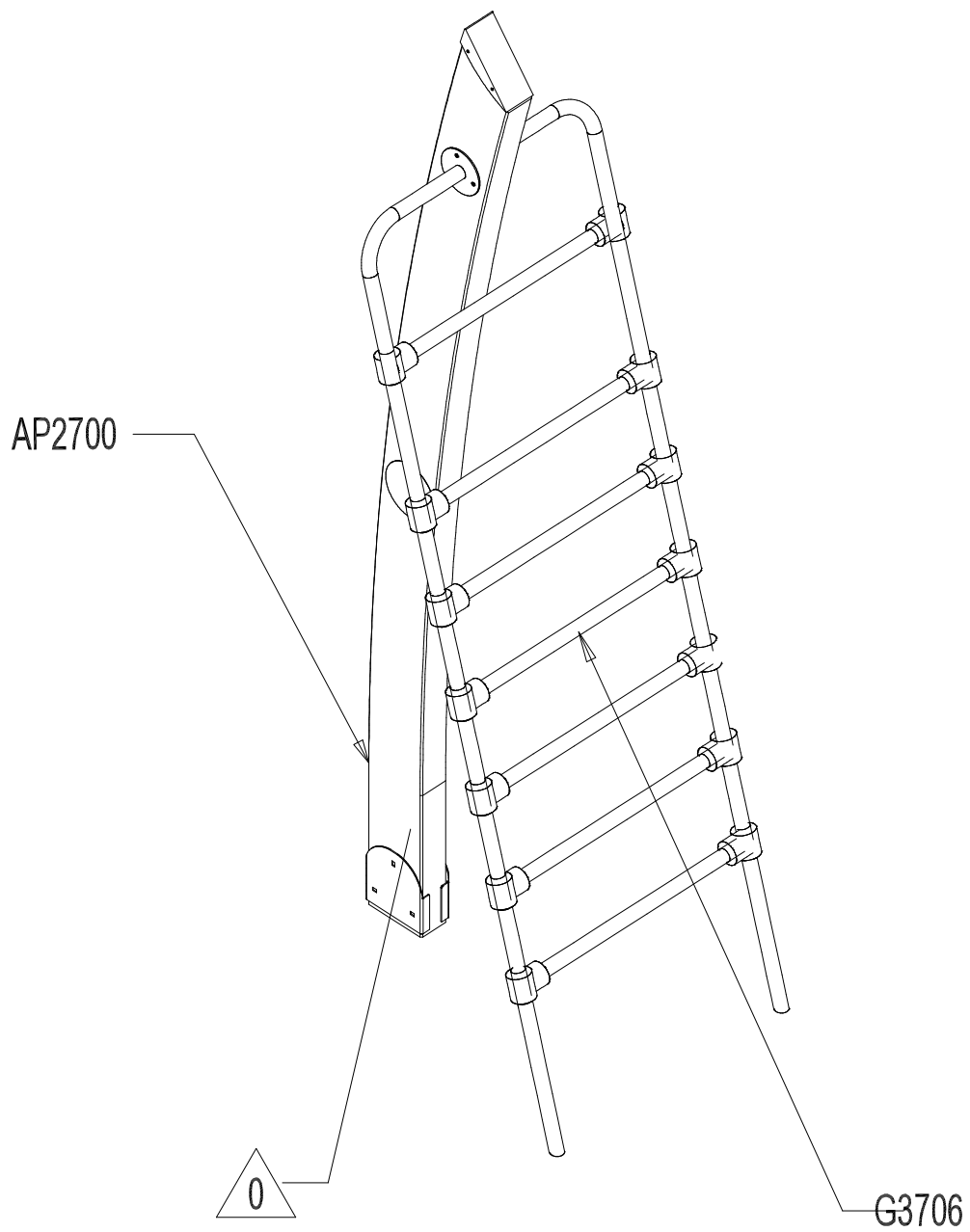
— Zone d'Impact
 Impact Area
 Area de Impacto
 Fallraum

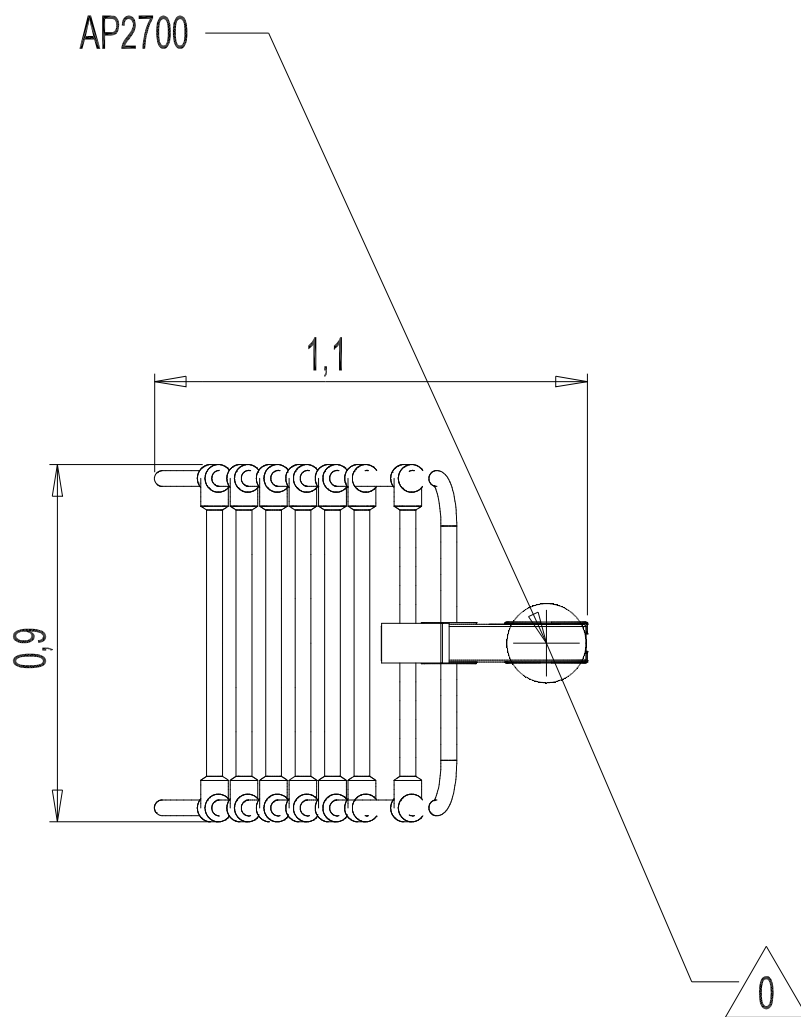
EN 16630 : 2015

— Espace libre
 Free Space
 Espacio Libre
 Freiraum

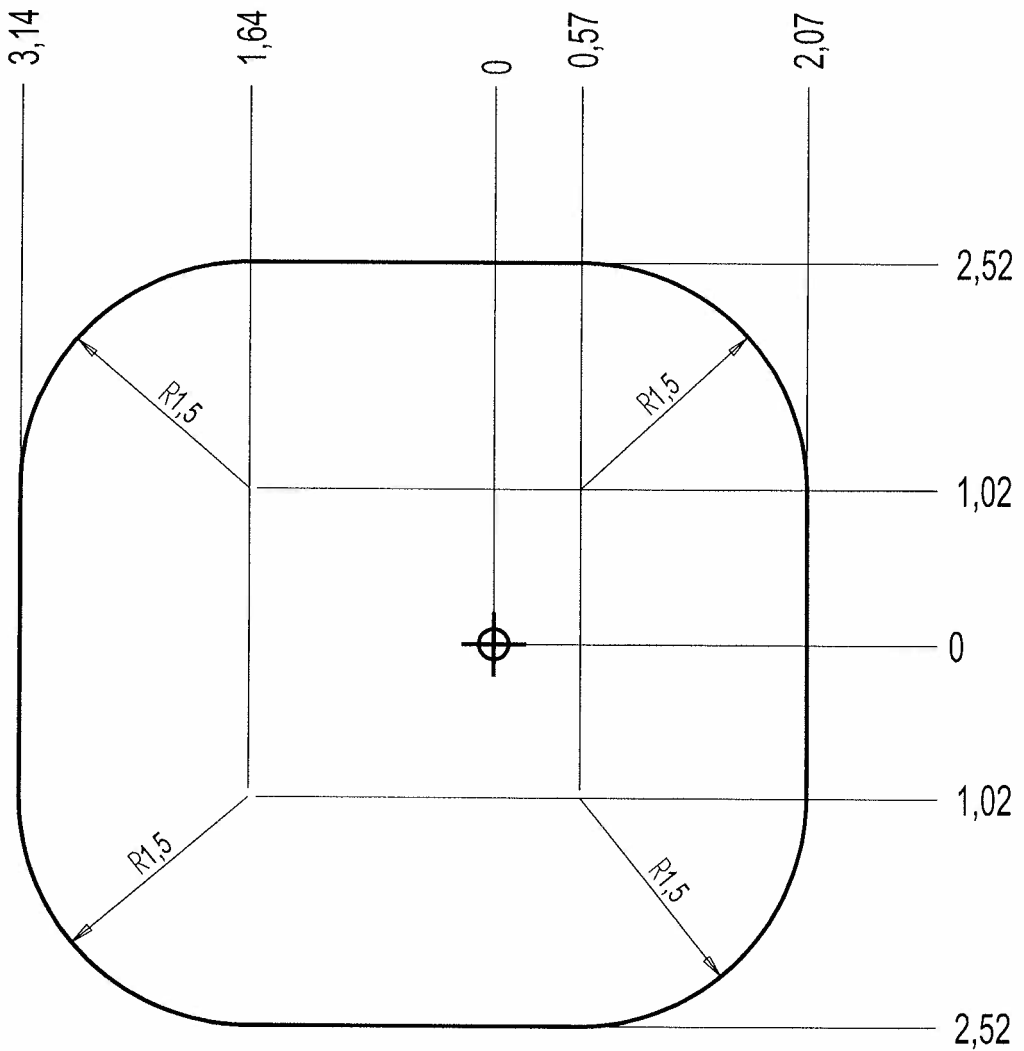


Point de Référence
 Setting Out Point
 Punto de referencia
 Bezugspunkt





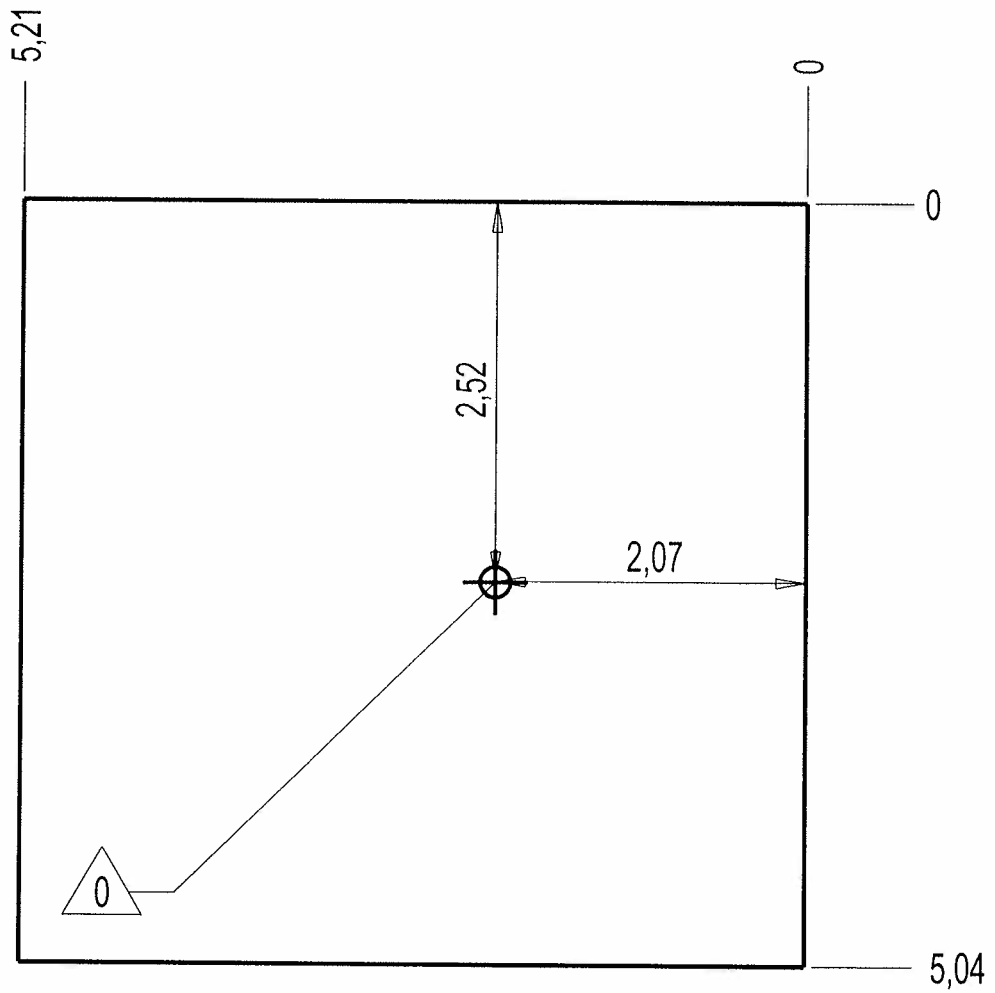
— Zone d'Impact 24,5 m²
Impact Area
Area de Impacto
Fallraum



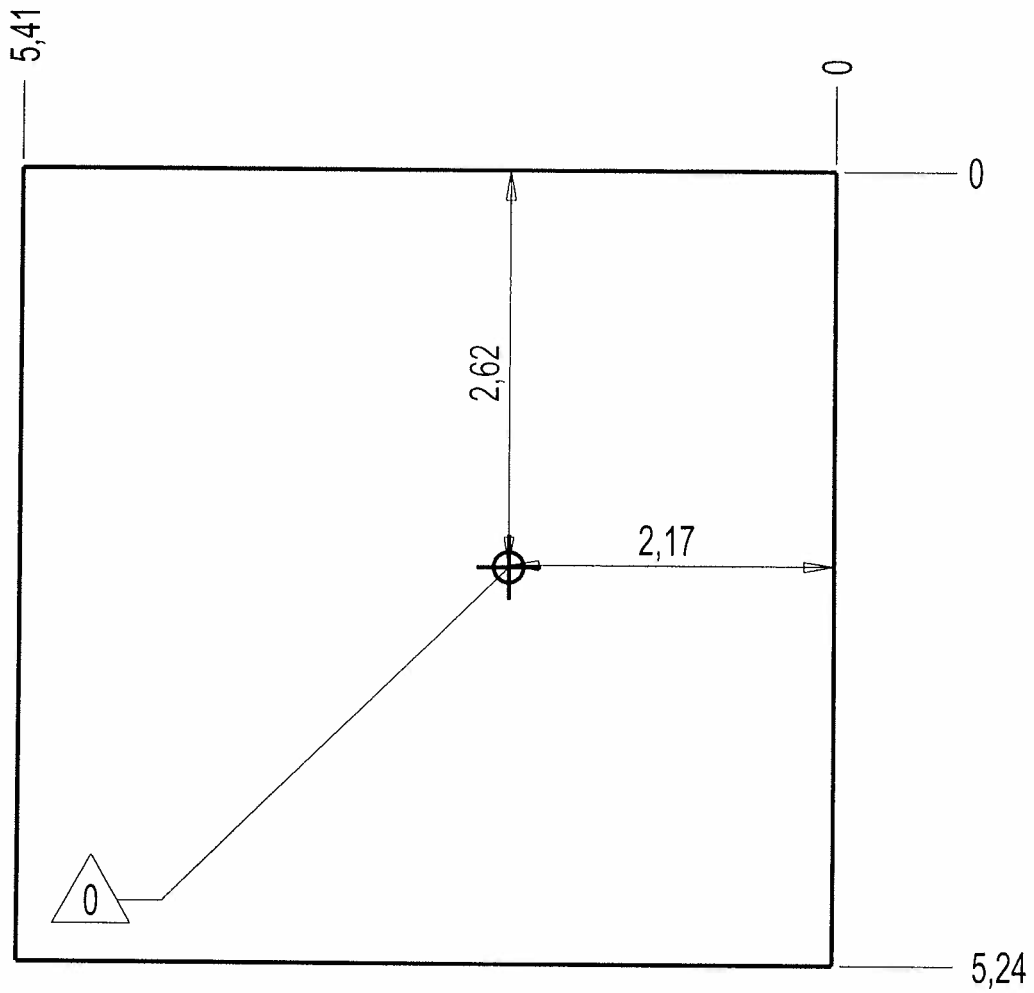
J3706

Projudic

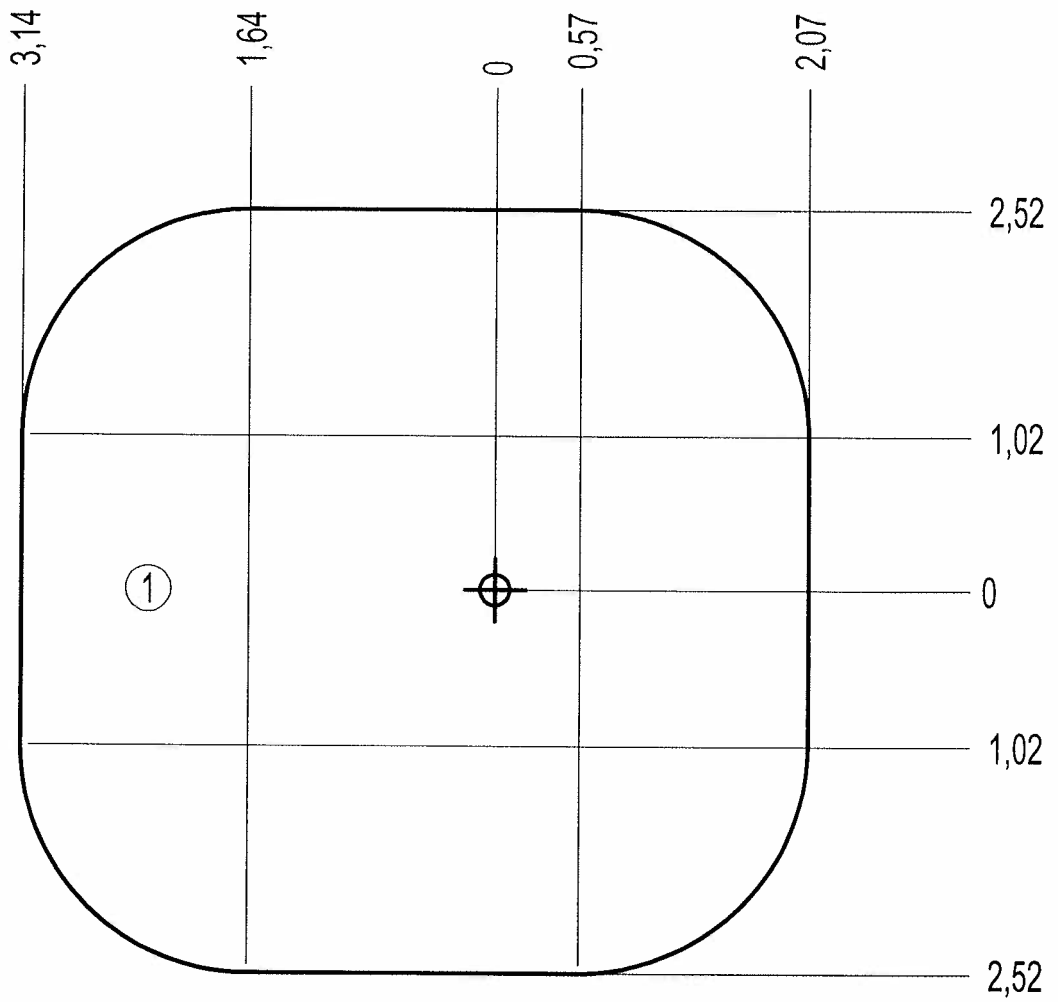
— Dalle béton 20,5 m
Concrete pad 26,5 m²
Solera de Hormigón
Beton Bodenplatte



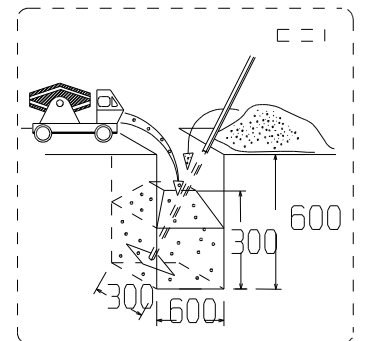
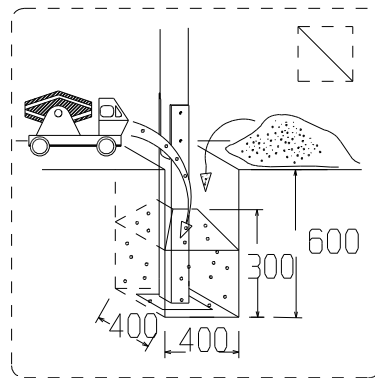
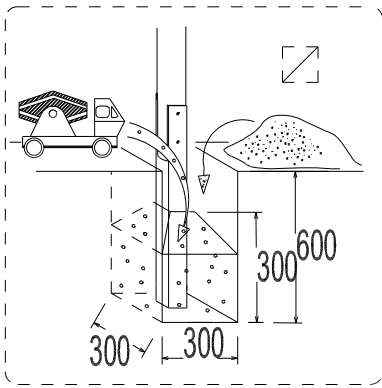
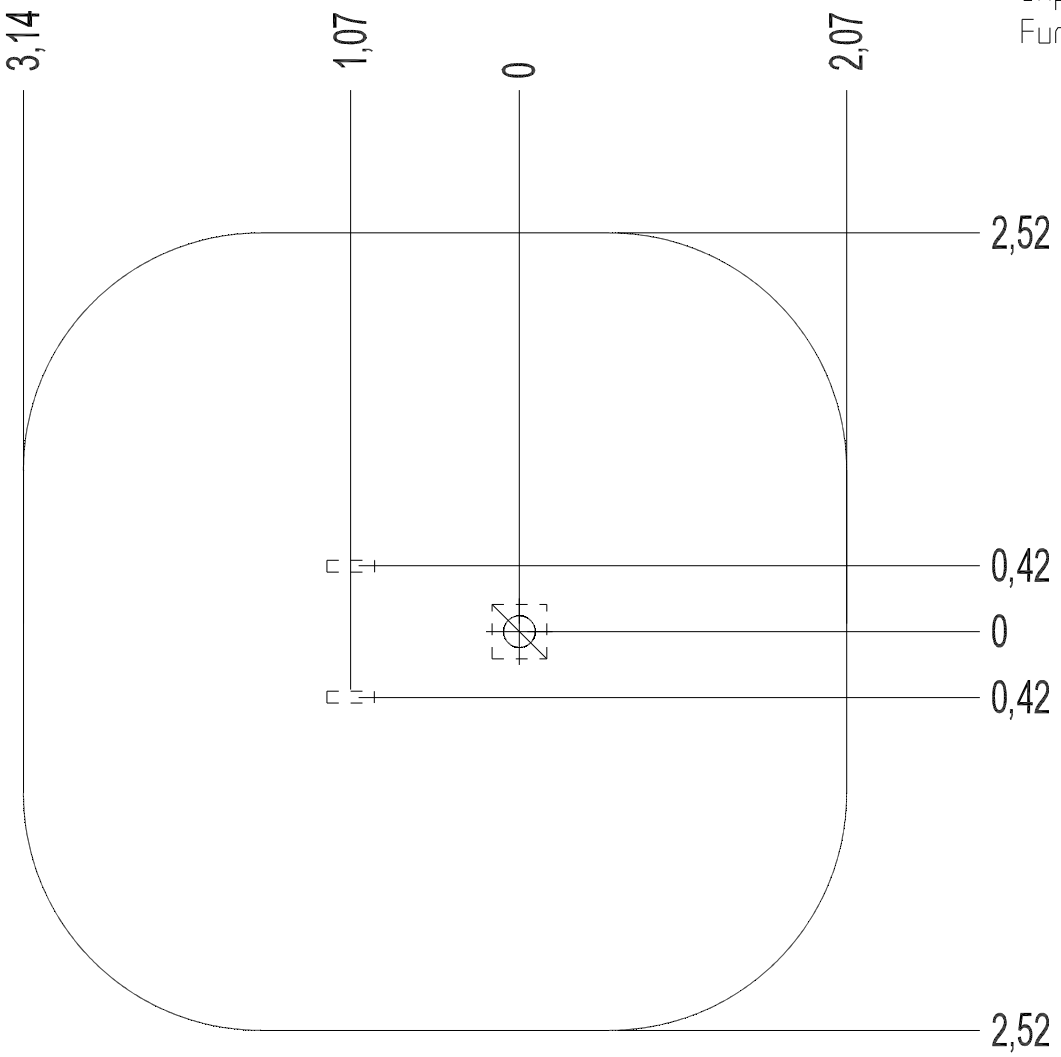
— Sol fluent 21,5 m
Loose particle material 28,5 m²
Arenero
Loses Bodenmaterial






— Sol souple 24,5 m²
Wetpour
Caucho Continuo
Synthetischer Fallschutz



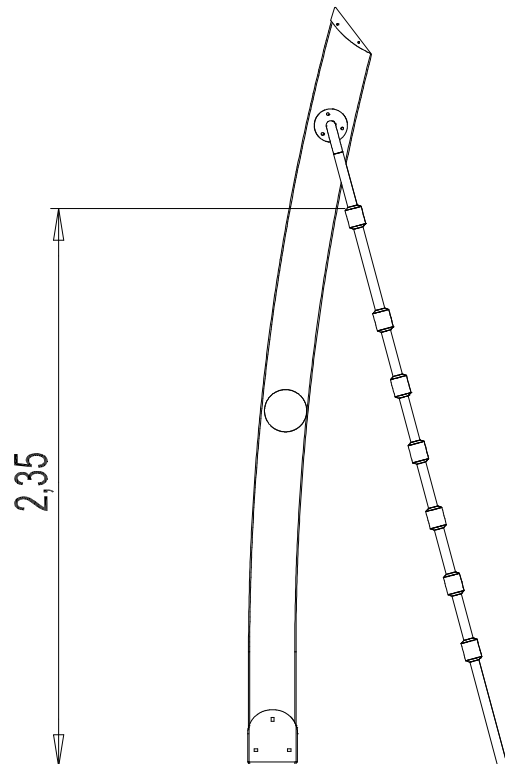
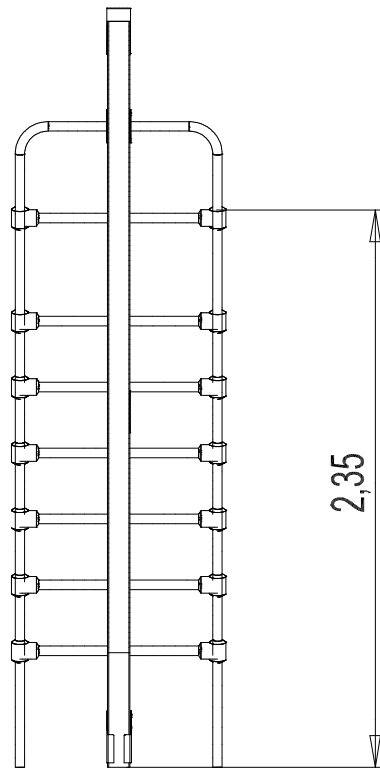
Implantation
 Footing plan
 Implantación
 Fundamentplan



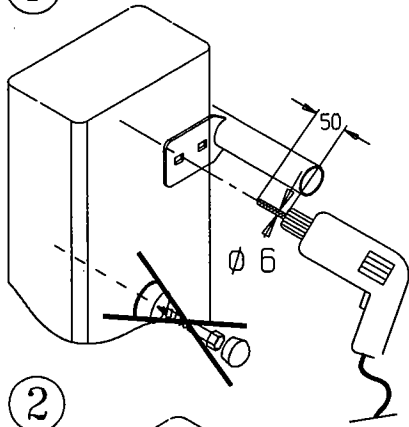
 x2	 2H	 0,2m ³
---	--	---

J3706

Proludic



1



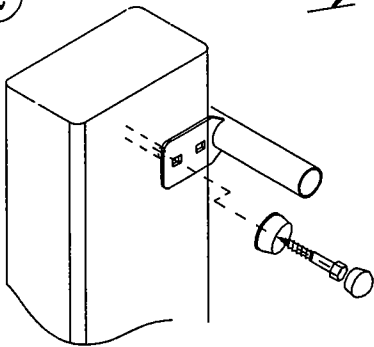
LAP2703N

6X35

6X35

	VTRCC10x120	3
	M10310	3
	M10440	3
	VECM10	3
	VBT 6x35	3

2



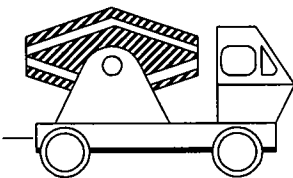
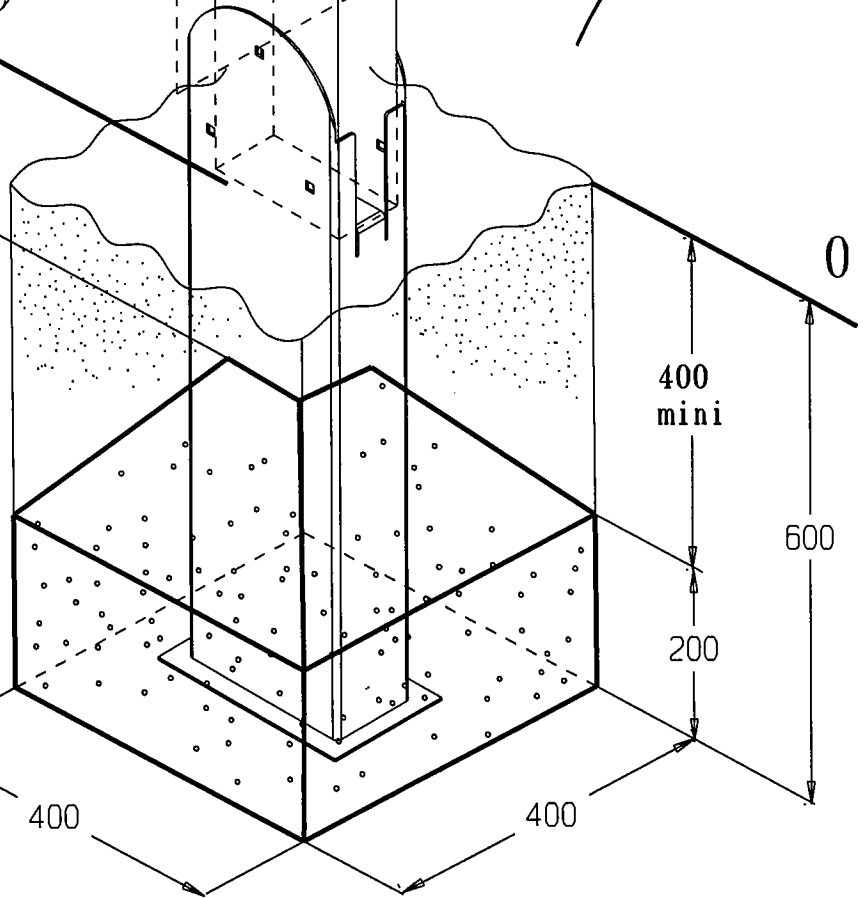
AP2700
AP2701
AP2702
AP2704



0

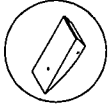
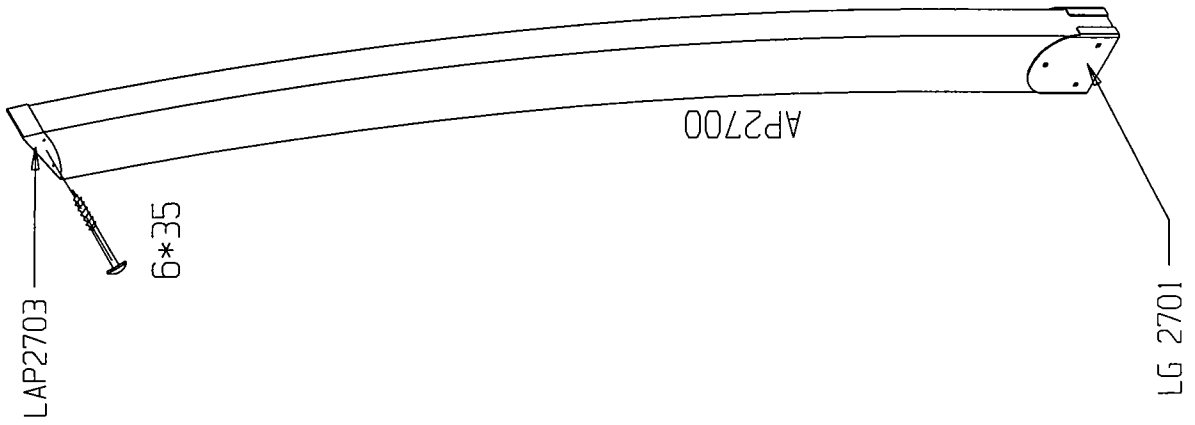
200 mini

10X120

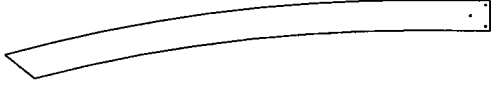


G 3707 SP

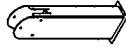
ProLudic



LAP2703N x 1



AP 2700 x 1

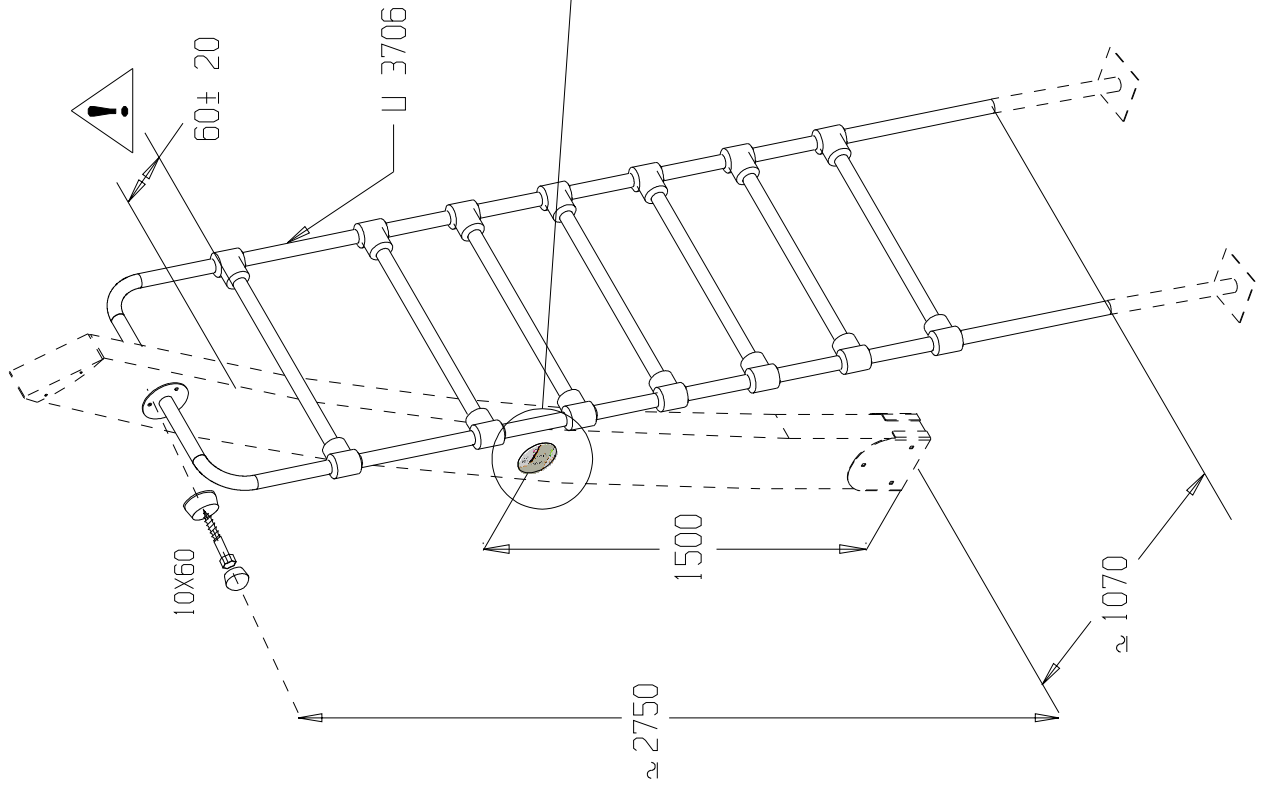


LG 2701 x 1

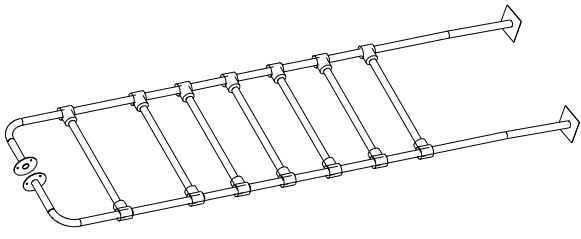


VBT 6x35

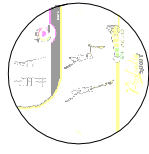
3







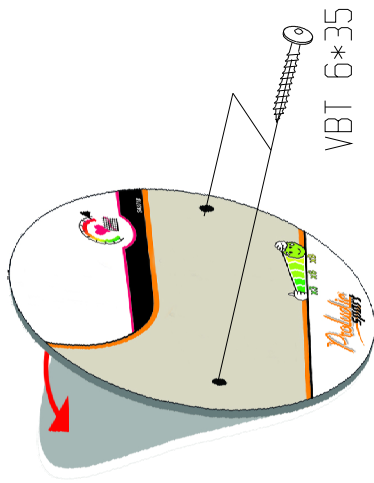
U 3706 x 1

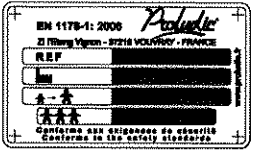


SA3716 x 1



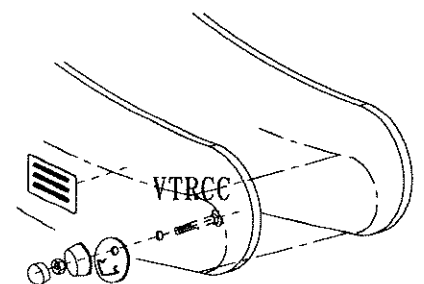
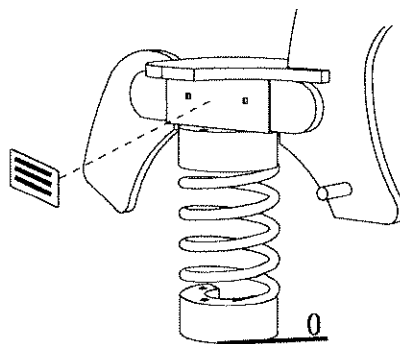
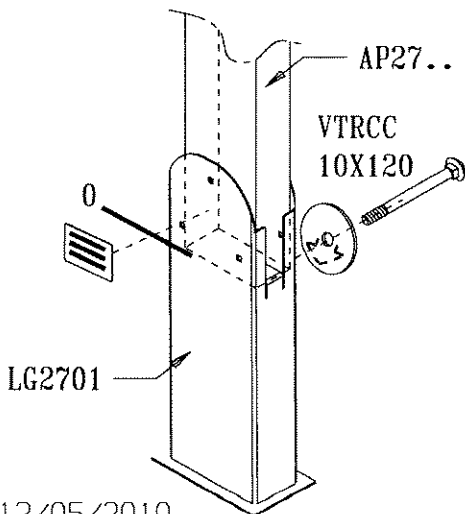
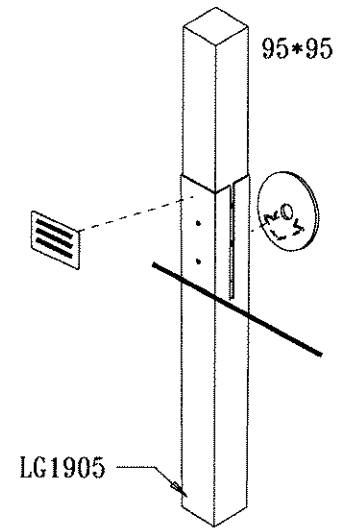
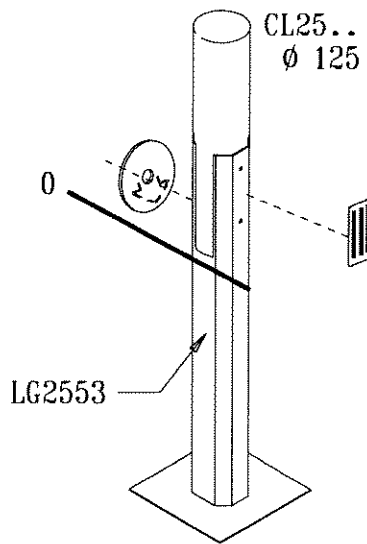
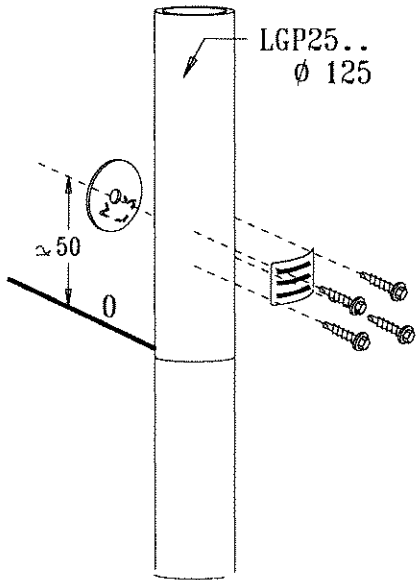
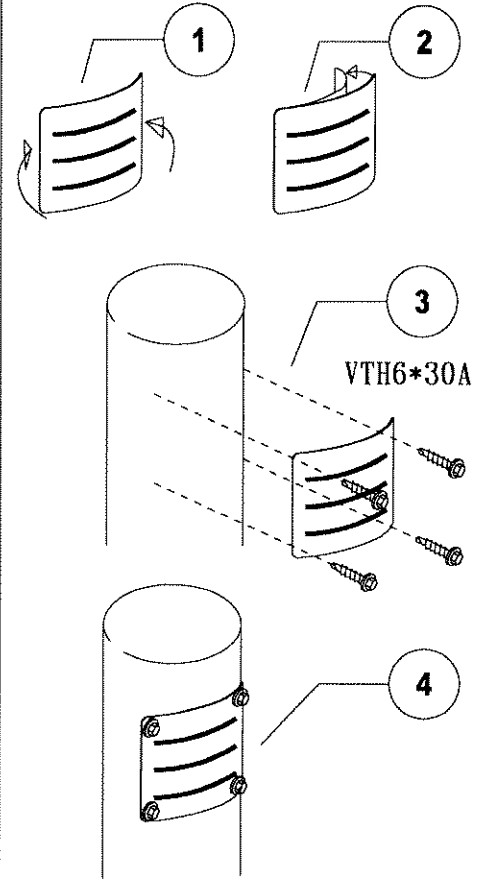
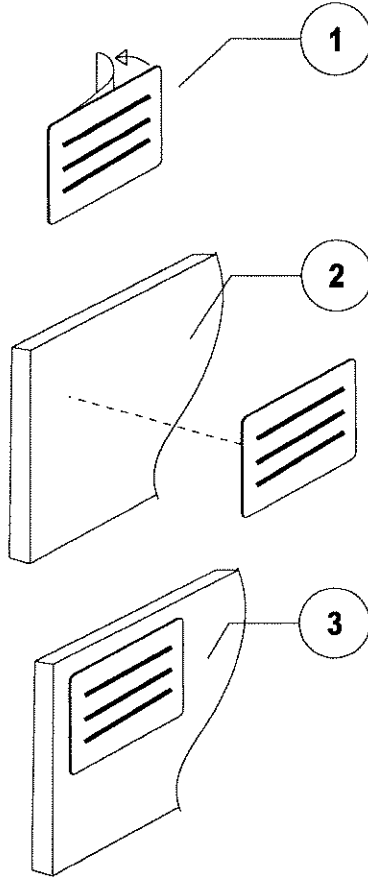
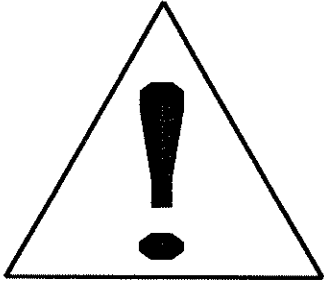
	VTF 10x60	6
	M10310N	6
	M10440N	6
	VBT 6x35	2

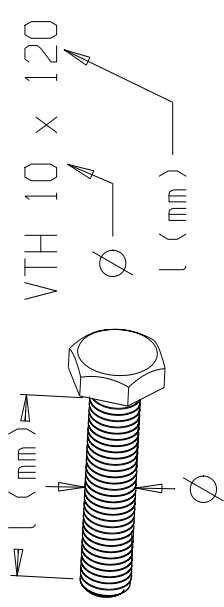
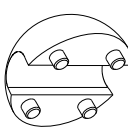
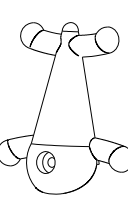
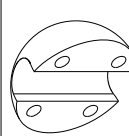
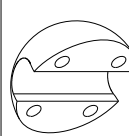

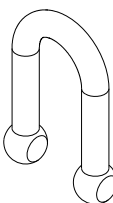
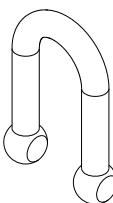
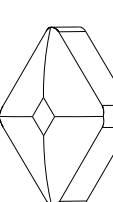
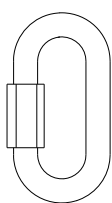
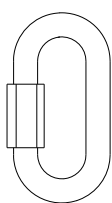
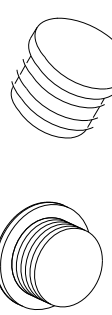








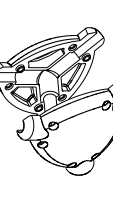
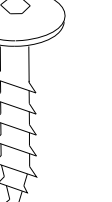
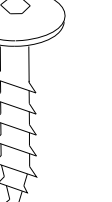
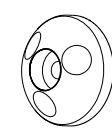
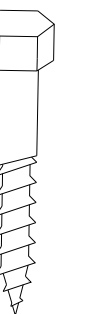
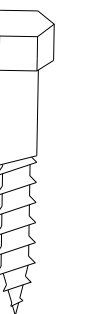
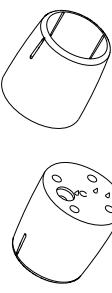







LA000

MI0002



 <p>VTH 10 x 120 ϕ l (mm)</p>	<p>MI6A</p> 	<p>M100VJ</p> 
<p>MI6B</p> 	<p>MI6B</p> 	<p>M4080</p> 
<p>RMANI06</p> 	<p>RMANI06</p> 	<p>MI0001N</p> 
<p>RMARA06</p> 	<p>RMARA06</p> 	<p>M42</p> 
<p>VECMϕ nut</p> 	<p>VECMϕ nut</p> 	<p>MI2503</p>  <p>ϕ 40</p>
<p>VEFMϕ locknut</p> 	<p>VEFMϕ locknut</p> 	<p>MI2701</p>  <p>ϕ 60</p>
<p>VEBMϕ blind nut</p> 	<p>VEBMϕ blind nut</p> 	<p>MI28N</p> 
<p>VTH</p> 	<p>VTH</p> 	<p>MI323J</p> 
<p>VTRCC</p> 	<p>VTRCC</p> 	<p>MI5C</p> 
<p>VCBHC</p> 	<p>VCBHC</p> 	<p>MI5C</p> 
<p>VBTR</p>	<p>VBTR</p>	<p>MI5C</p>
<p>VWT</p>	<p>VWT</p>	<p>MI5C</p>
<p>VBT</p>	<p>VBT</p>	<p>MI5C</p>
<p>VTF</p>	<p>VTF</p>	<p>MI5C</p>