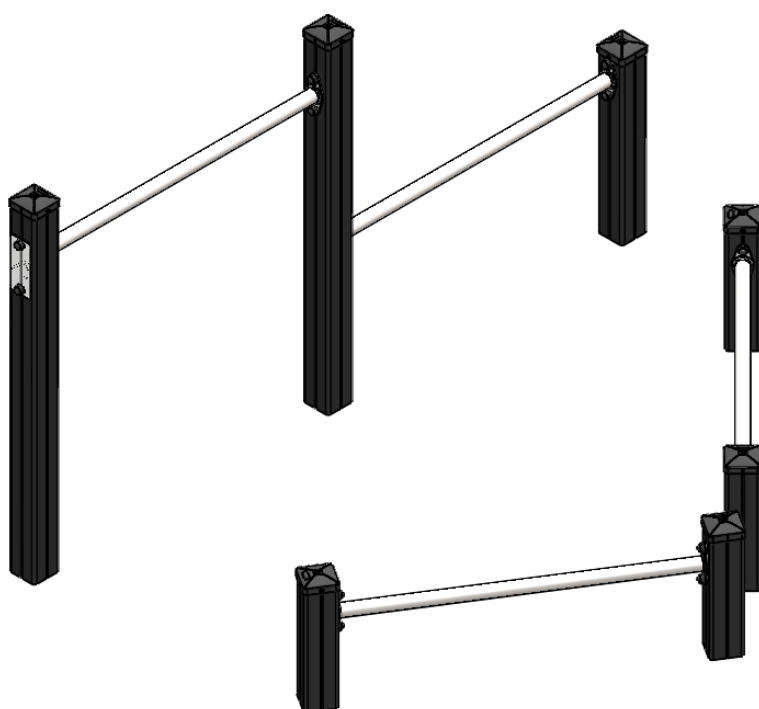
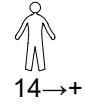


JPS18-S-M

ProLudic





N°		
1	1 m	20 m ²

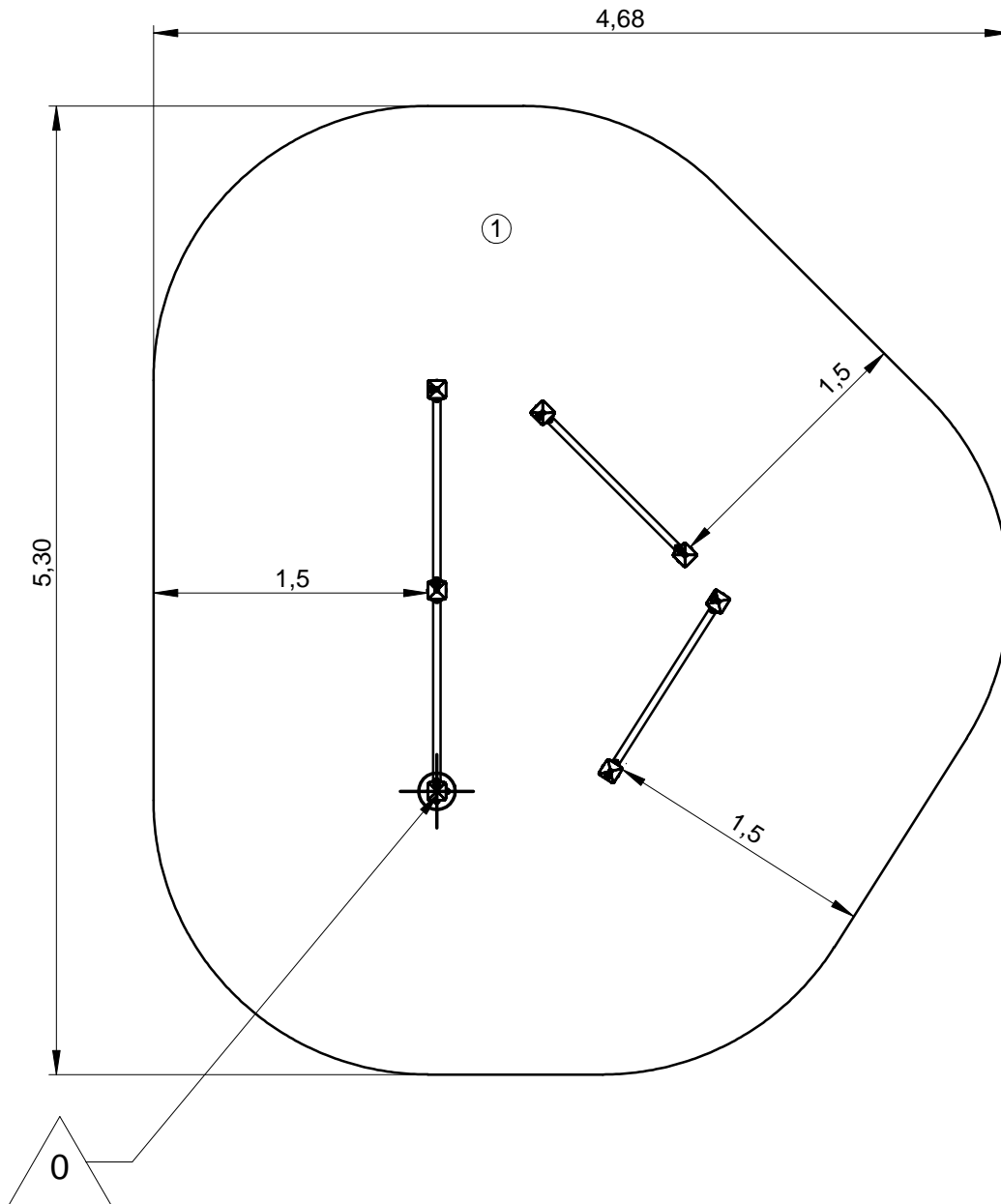
— Zone d'impact
Impact area
Area de impacto
Fallraum
Valzone

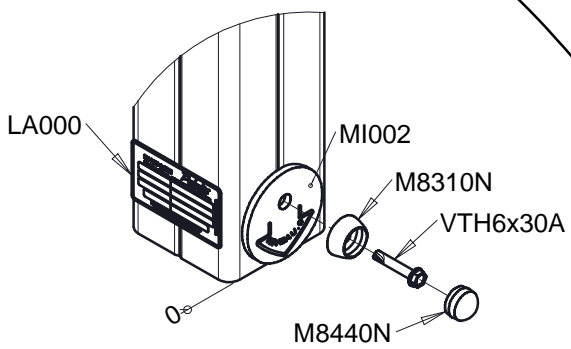
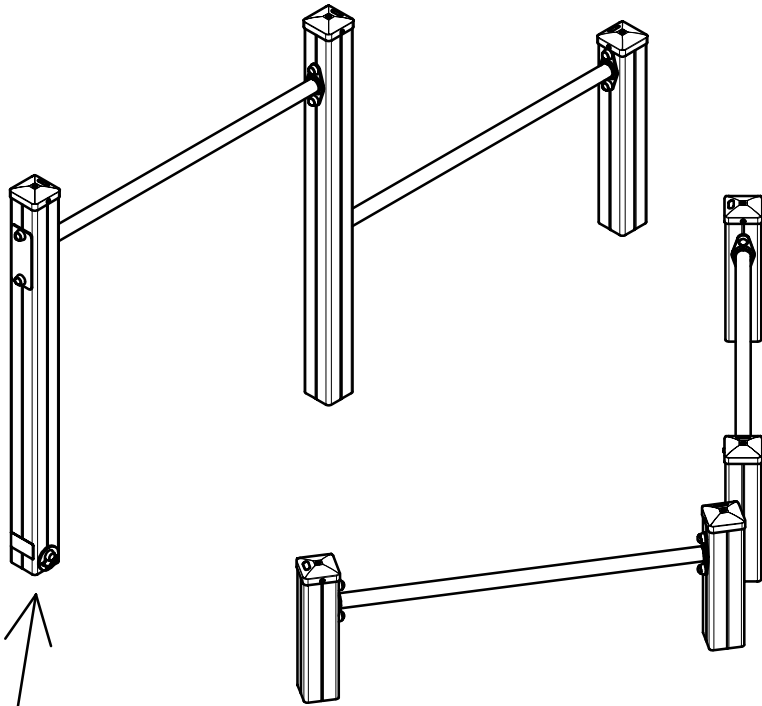


Point de référence
Setting out point
Punto de referencia
Bezugspunkt
Referentiepunt

- - - Espace libre
Free space
Espacio libre
Freiraum
Vrije ruimte

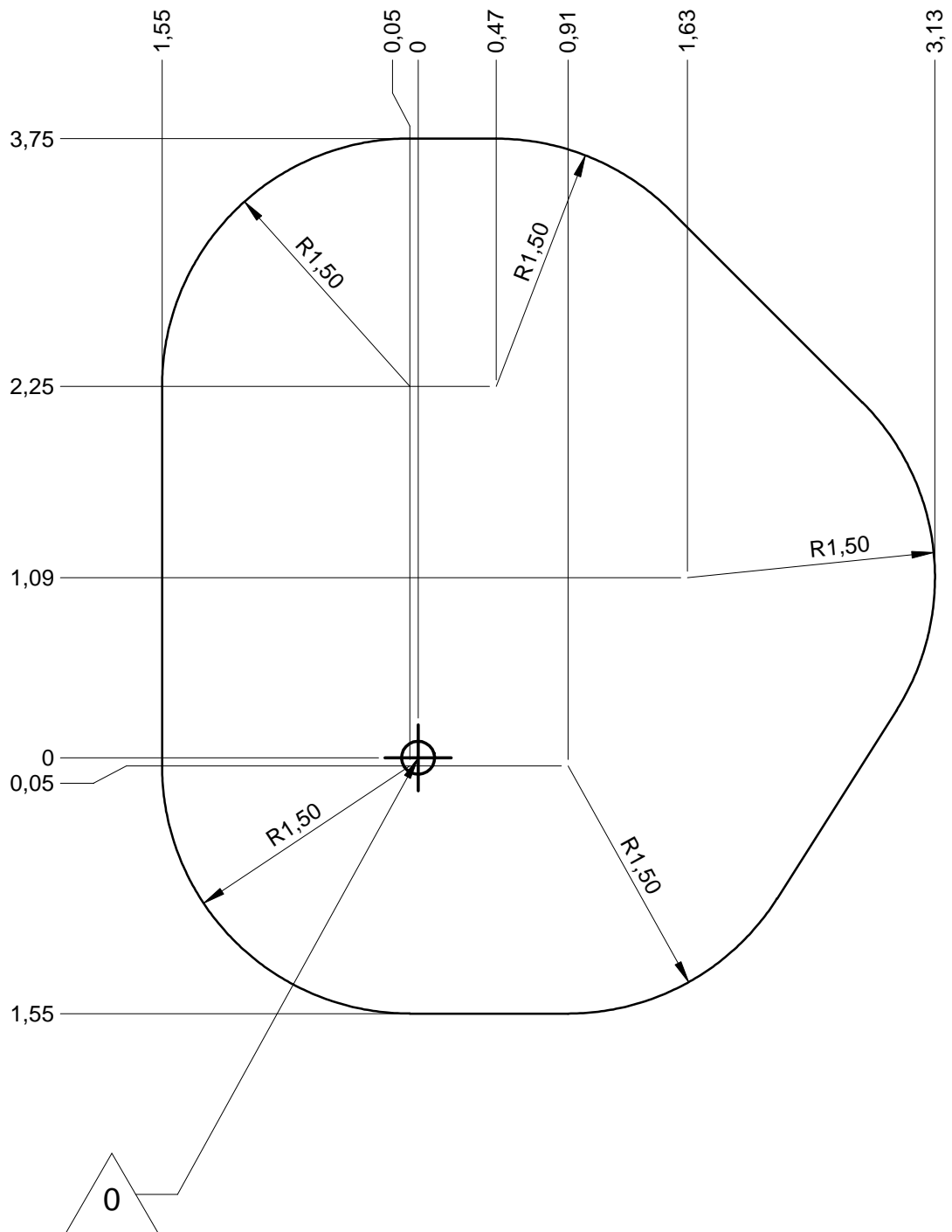
EN16630 : 2015





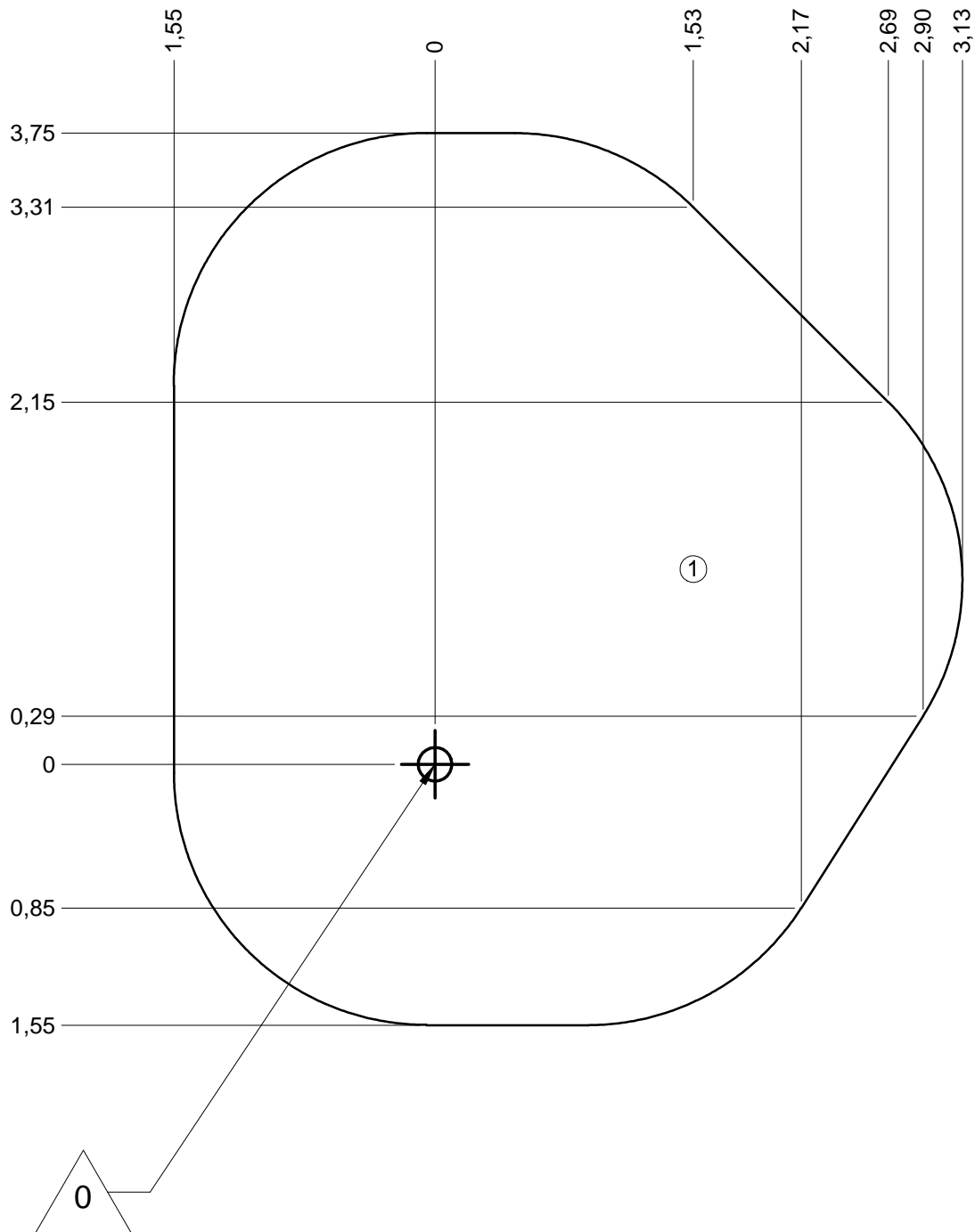
— Zone d'impact
 Impact area
 Area de impacto
 Fallraum
 Valzone

20 m²



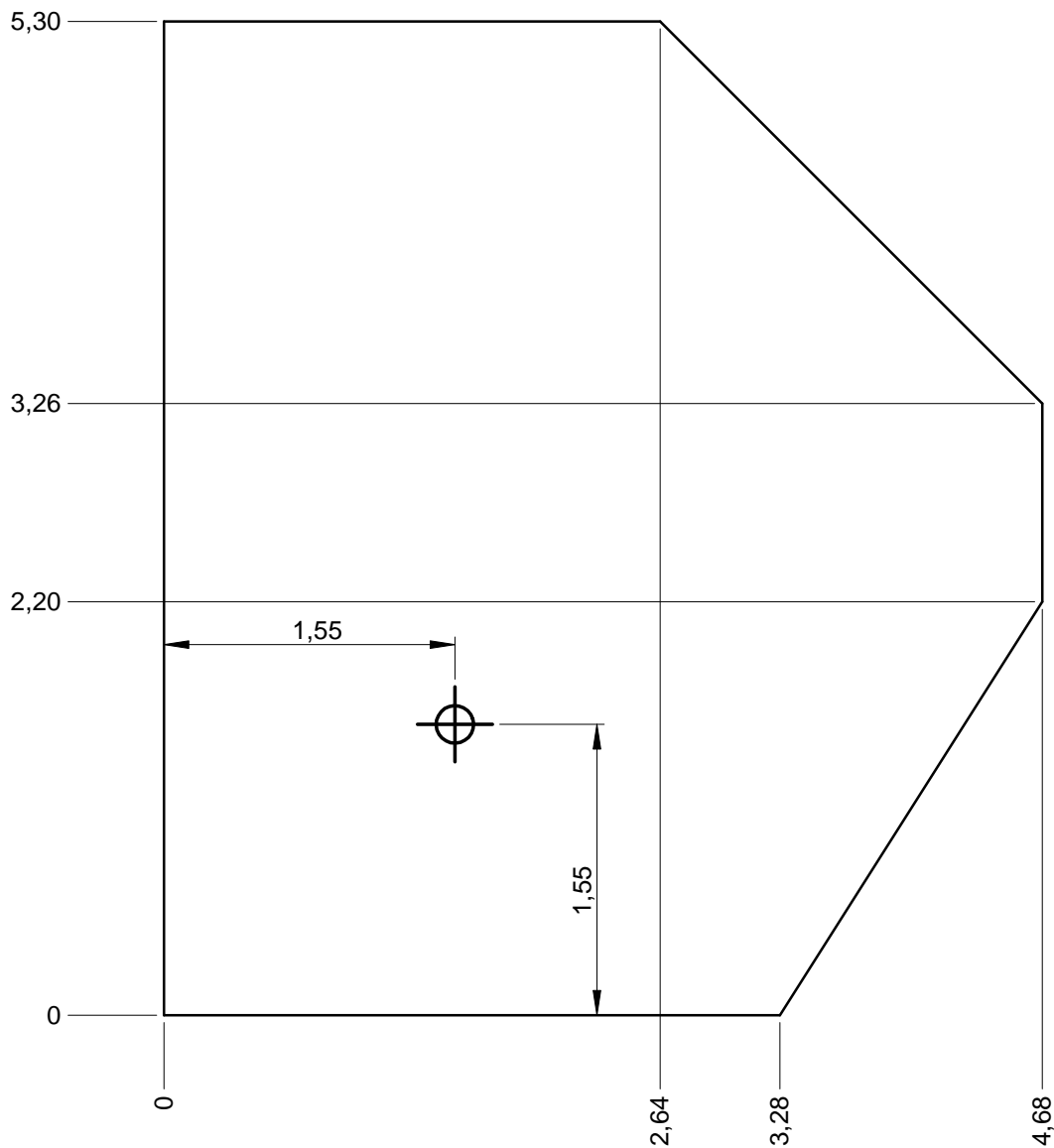
— Sol souple
 Wepour
 Caucho continuo
 Synthetischer fallschutz
 Gietvloer

20 m²

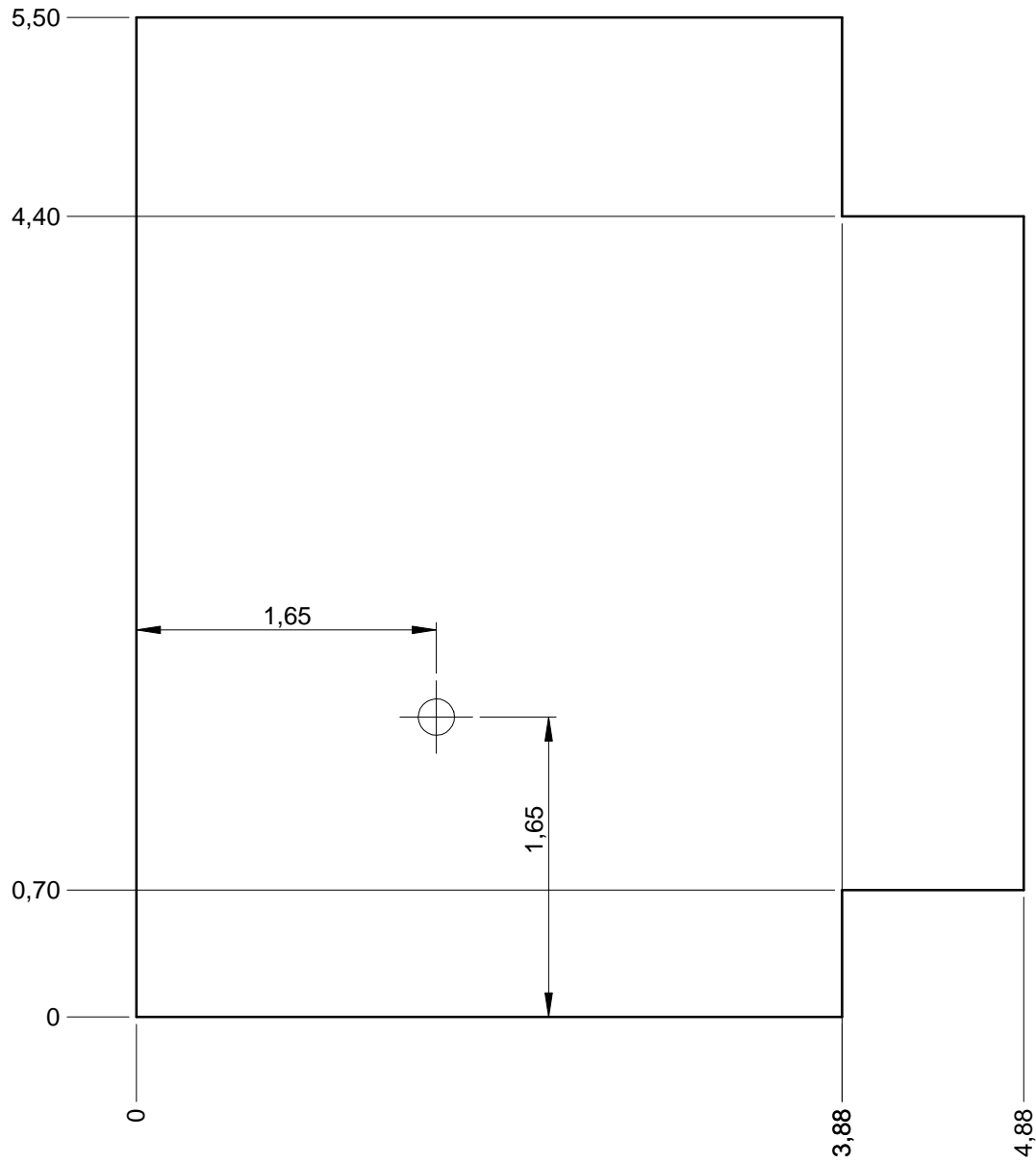


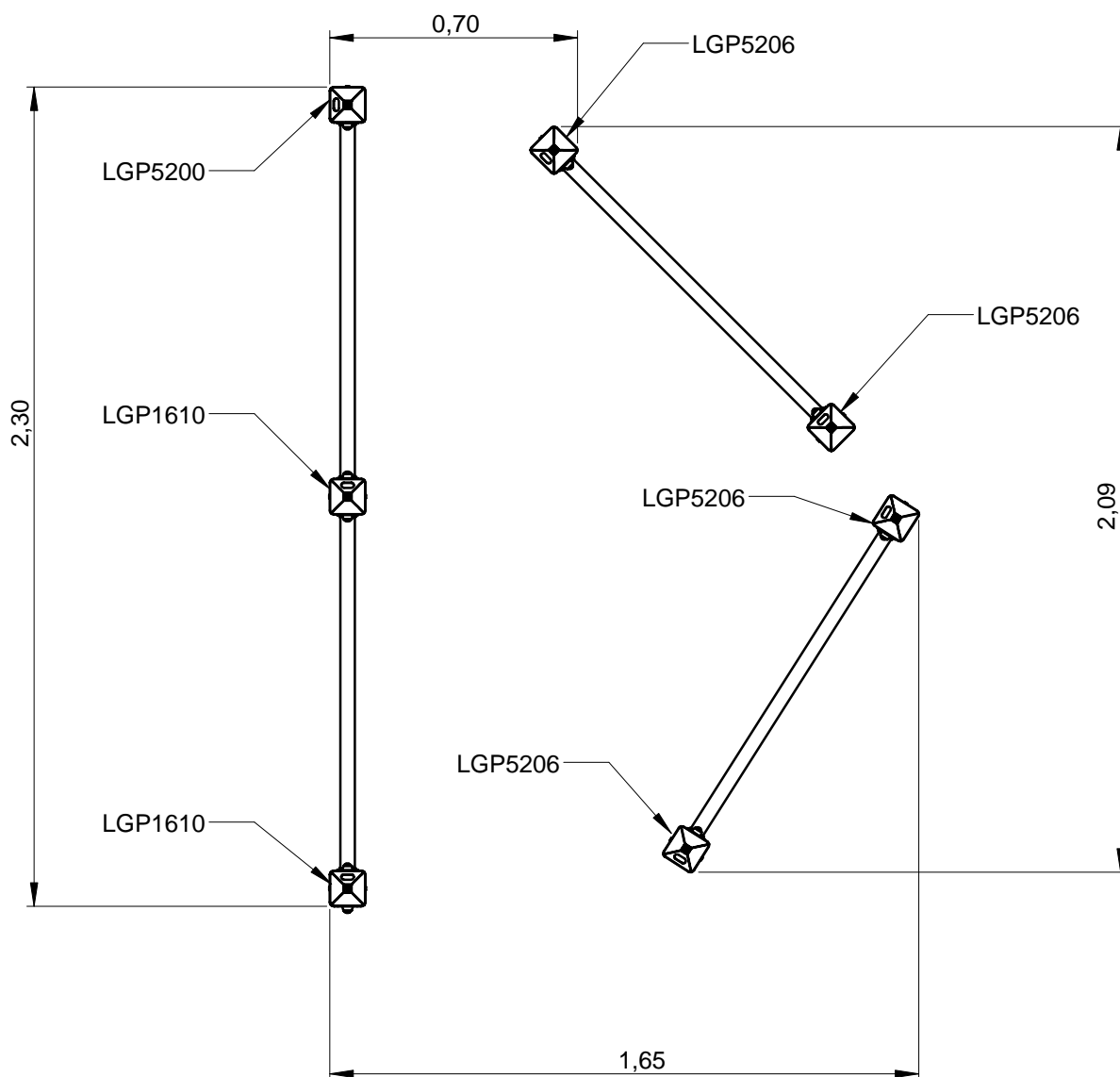
— Dalle béton
Concrete pad
Solera de hormigon
Beton bodenplatte
Betonnen bodemplaat

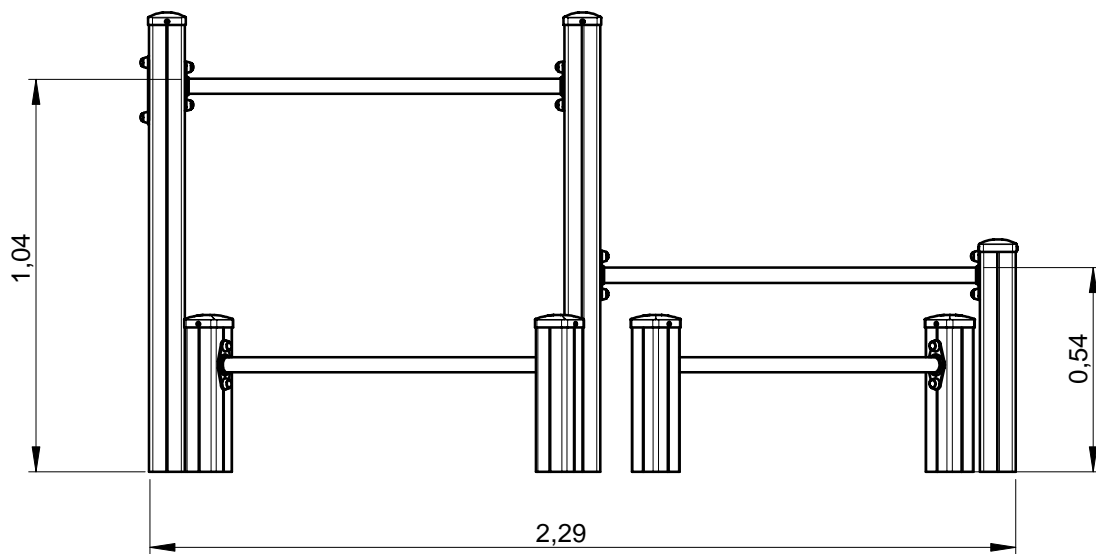
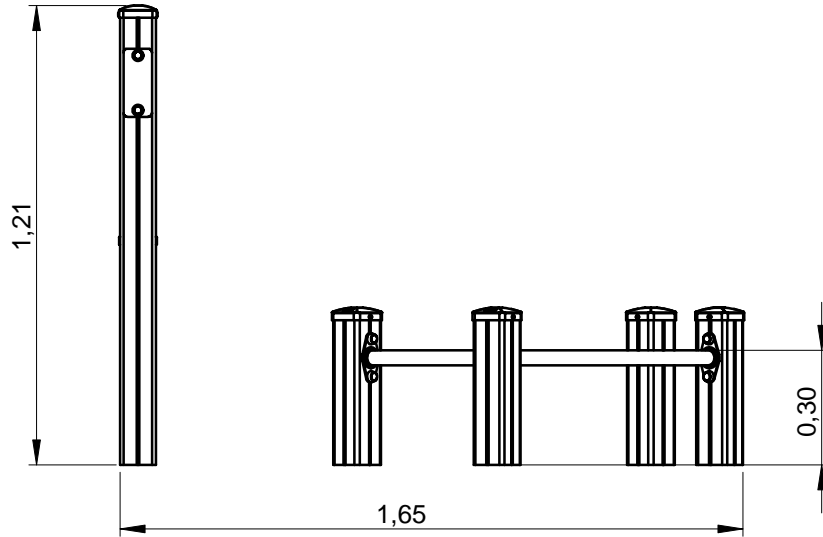
18 m
21.5 m²



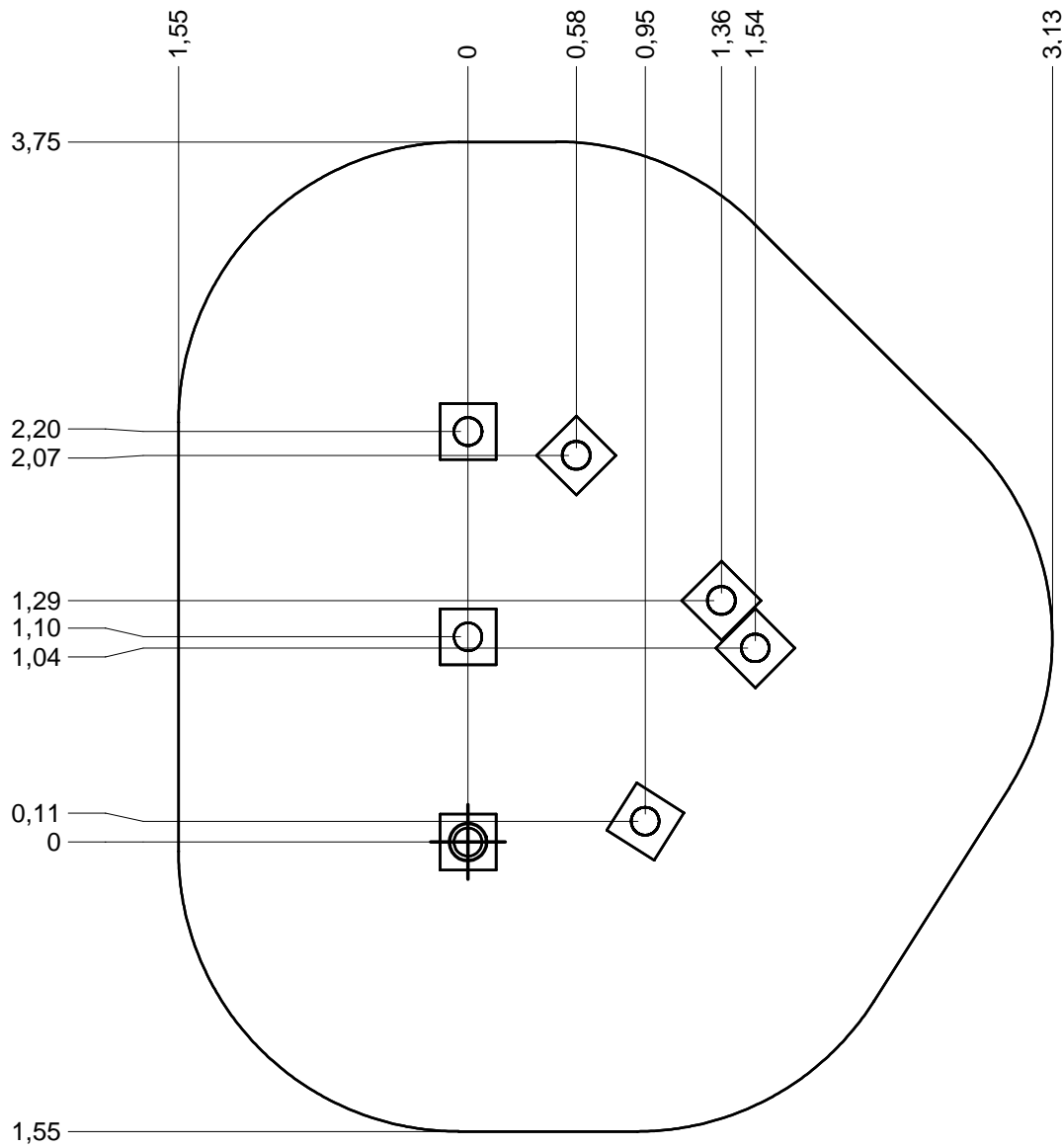
— Sol fluent
Loos partucule material 22 m
Arenero
Loses Bodenmaterial 25.5 m²
Los bodemmateriaal



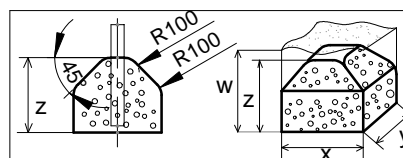




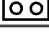


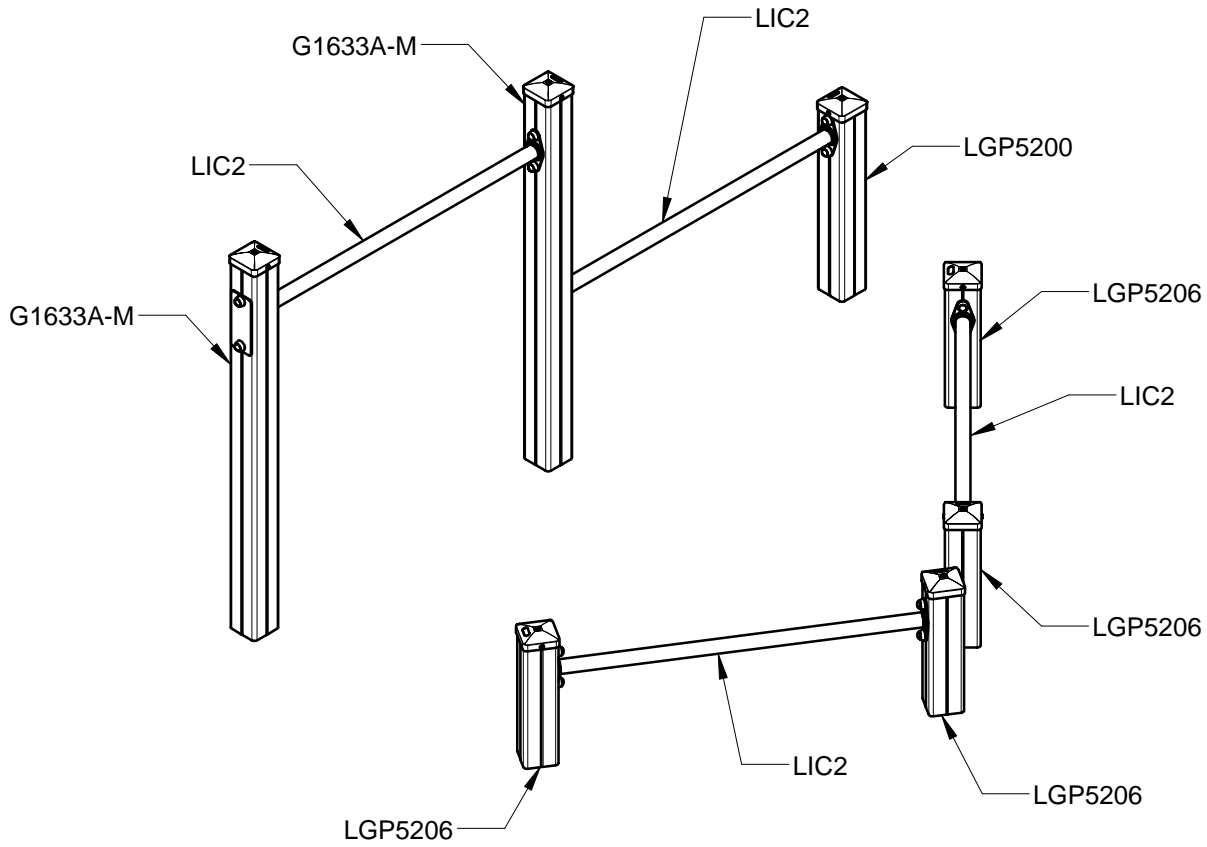
Implantation
 Footing plan
 Implantación
 Fundamentplan
 Funderingstekening



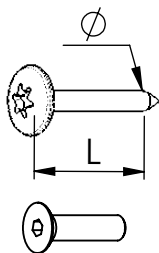
 x1
 1H30
 0.2 m³



	x	y	z	w
	0.3	0.3	0.3	0.6
	0.4	0.4	0.3	0.6
	0.6	0.3	0.3	0.6



REF	QTE
G1633A-M	2
LAJPS18	1
LGP5200	1
LGP5206	4
LIC2	4
M8310N	18
M8440N	18
MI0001N	5
RRAV6	10
VTH6x30A	18



VBT 6 x 30
 \varnothing \uparrow L (mm)

VFHC



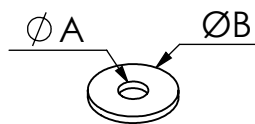
VEC M10
 \varnothing




VEF




VEB



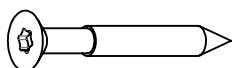
VR6x18
 $\varnothing A$ $\varnothing B$



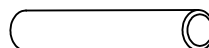
1000 - 1800 tr/min
 Vitesse de rotation
 Rotation speed



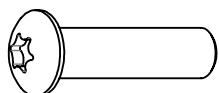
14 N.m
 Couple de rupture
 Torque of break



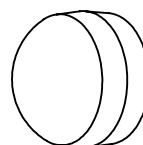
VWT



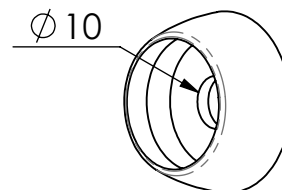
VGC



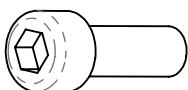
VCBHC



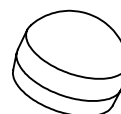
M10 440N



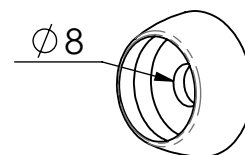
M10 310 N



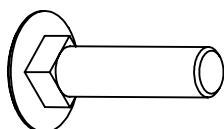
VBTR



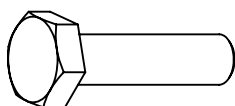
M8 440N



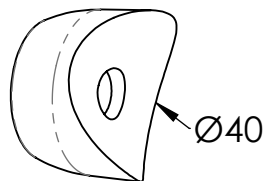
M8 310N



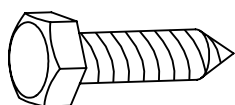
VTRCC



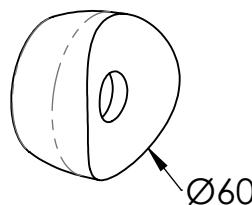
VTH



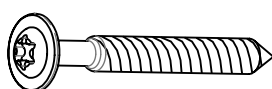
MI2503



VTF

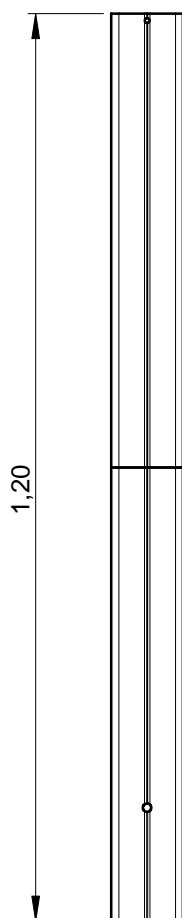


MI2701

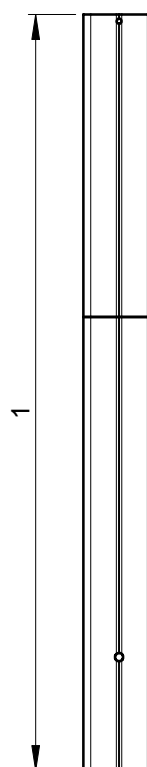


VBT

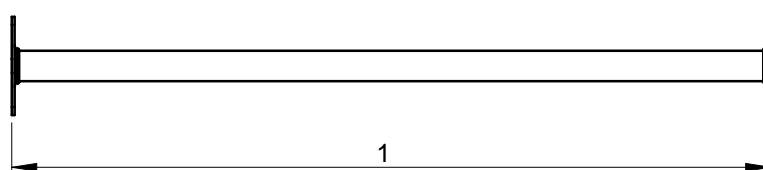
LGP5200



LGP5206



LIC2



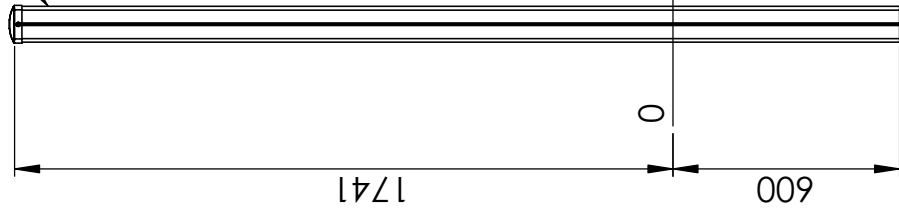
G1632A-M

G1633A-M

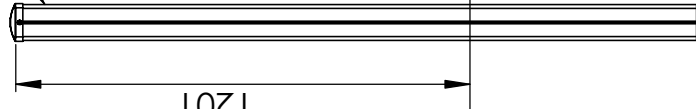
G1634A-M

G1635A-M

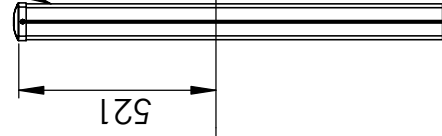
LGP1606



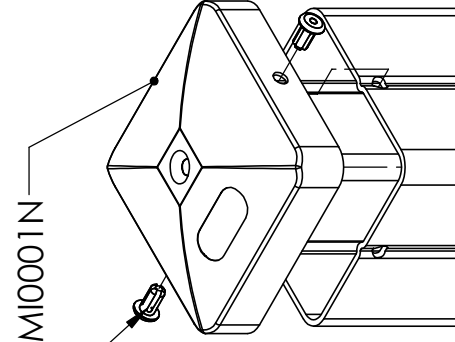
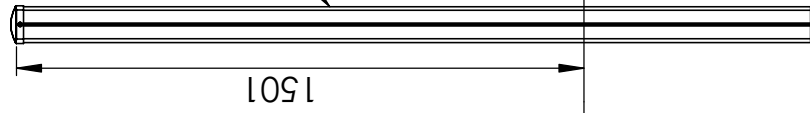
LGP1610



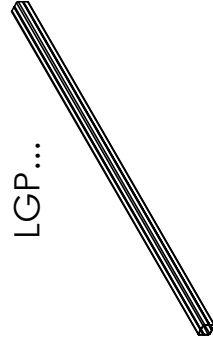
LGP1607



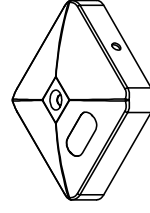
LGP1608



LGP...



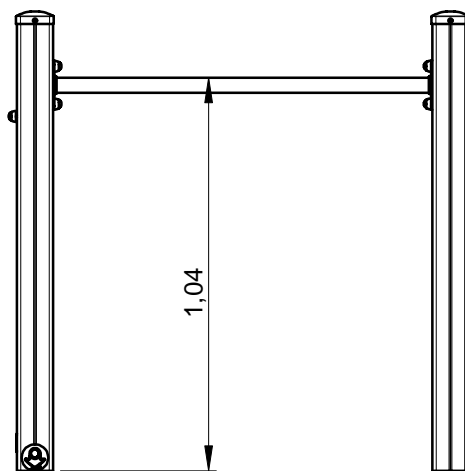
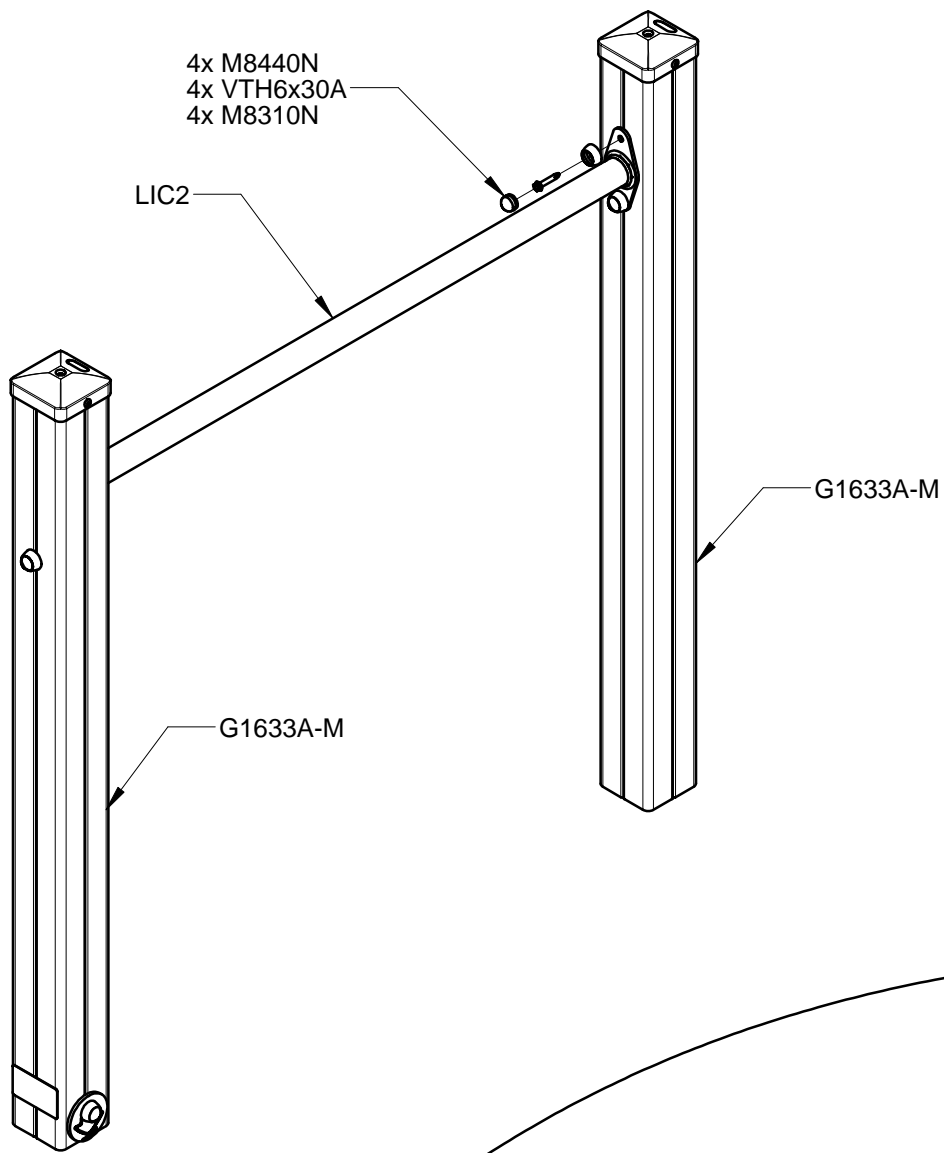
RRAV6



MI0001N

MI0001	1
RRAV6	2

1



2

A

4x M8440N
4x VTH6x30A
4x M8310N

LIC2

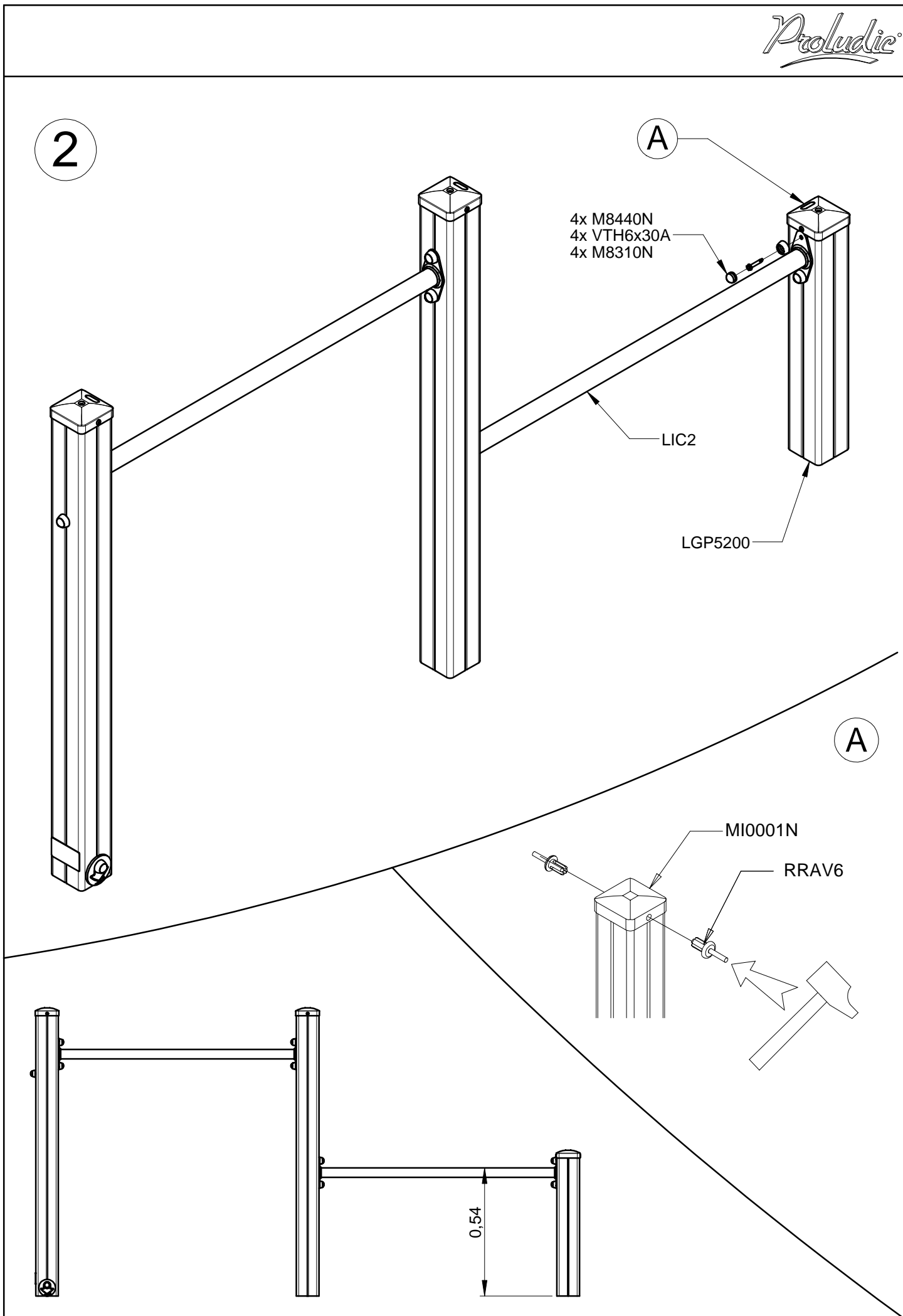
LGP5200

A

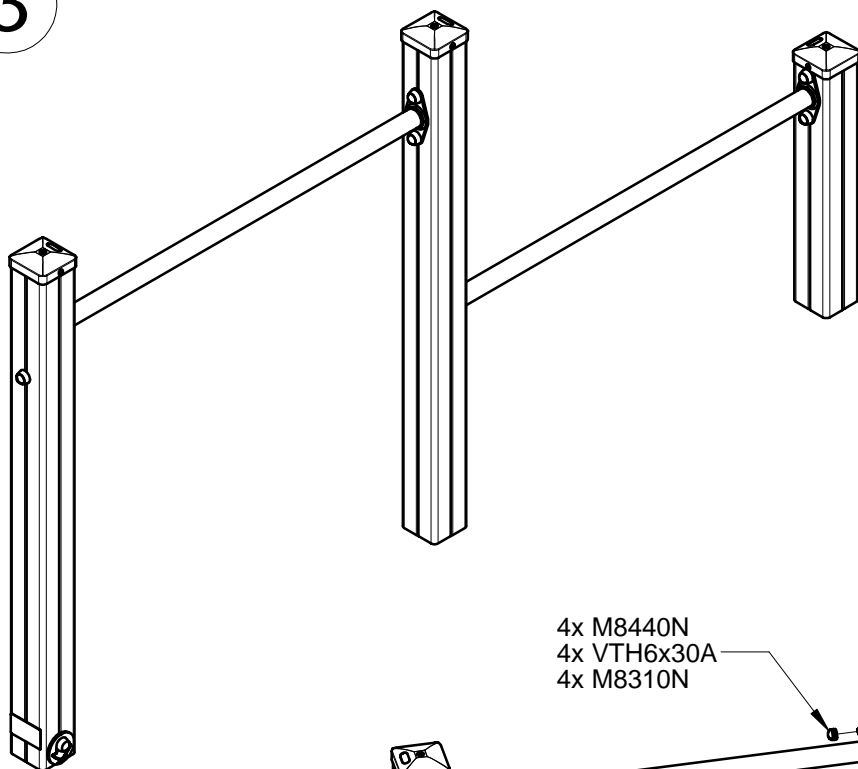
MI0001N

RRAV6

0,54



3



4x M8440N
4x VTH6x30A
4x M8310N

(A) x2

LGP5206

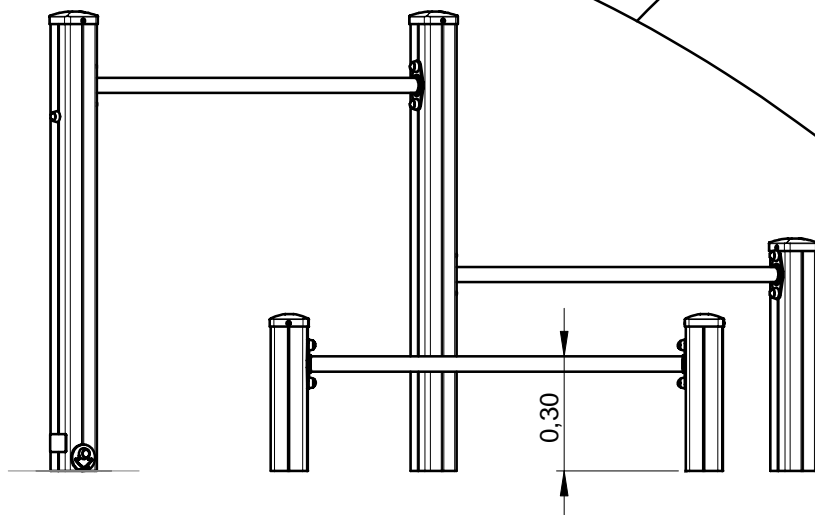
LIC2

LGP5206

(A)

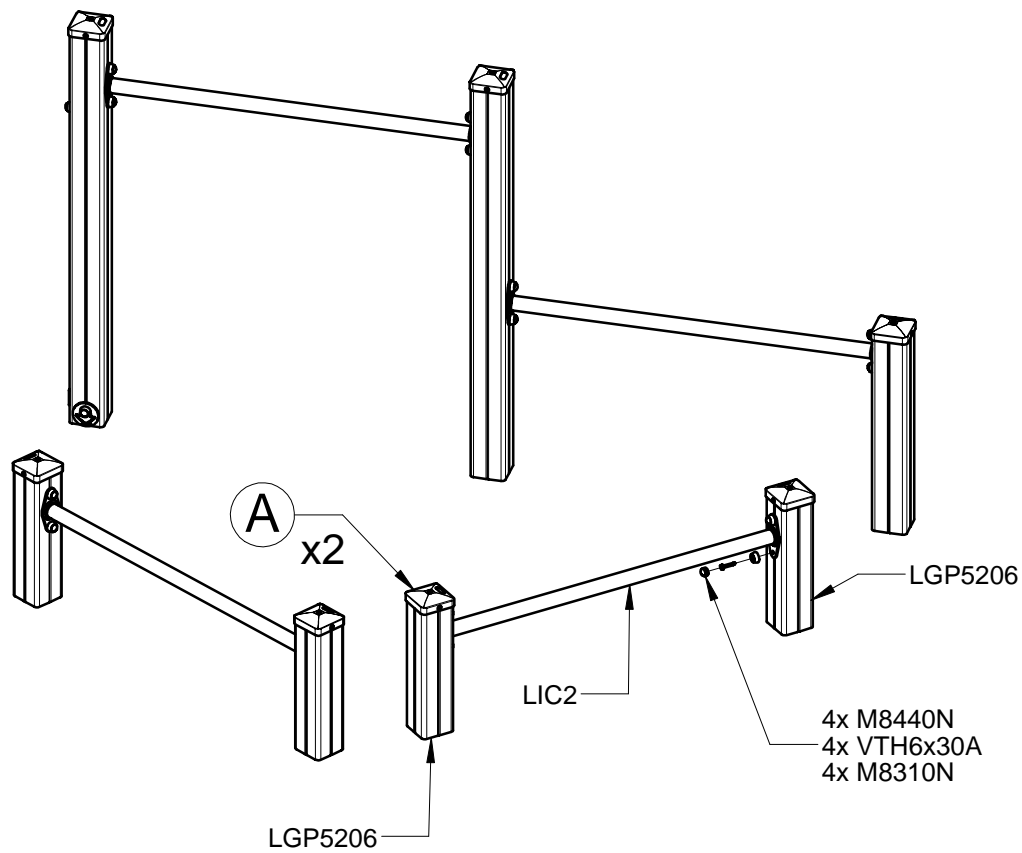
MI0001N

RRAV6

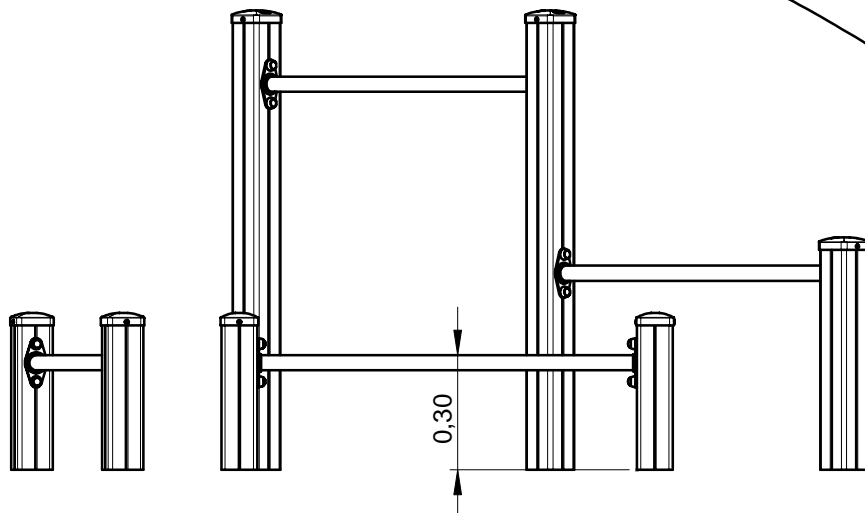
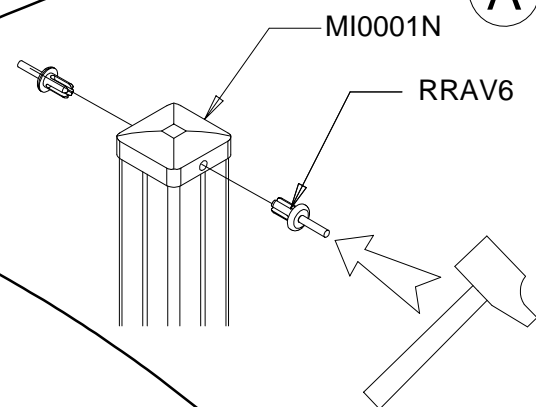


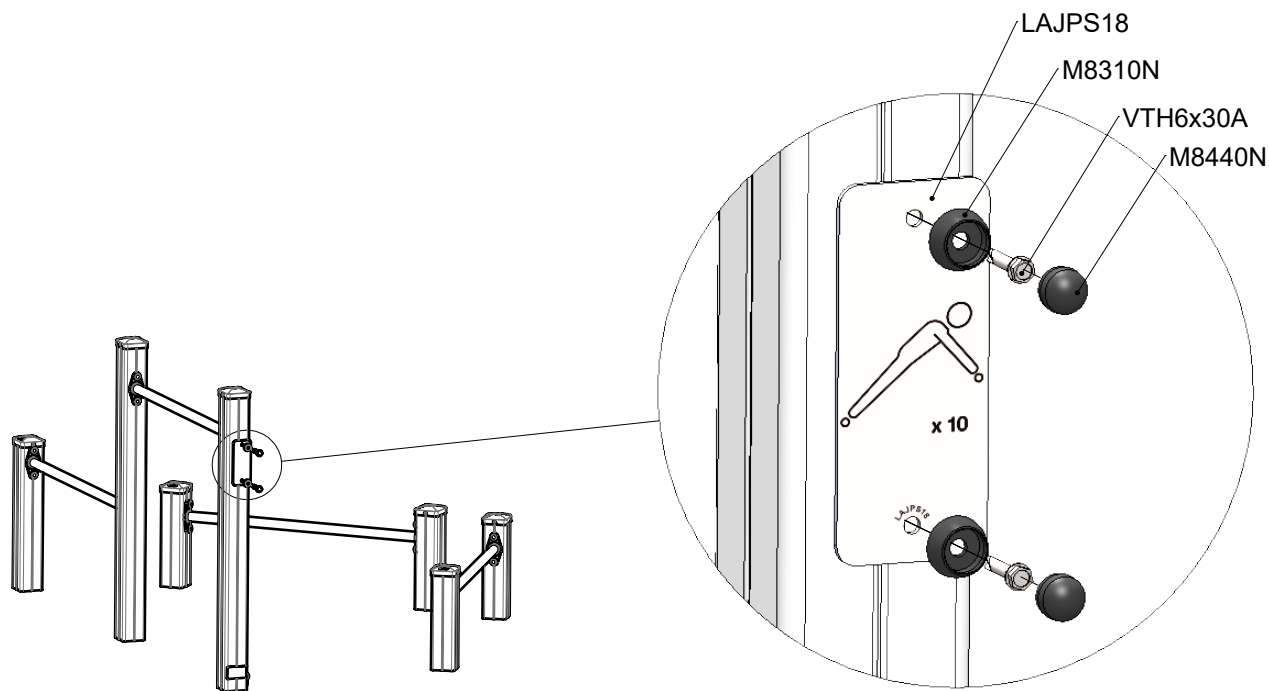
0,30

4

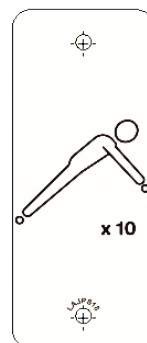


A





- JPS18-S-M



LAJPS18

Réf	Qté
LAJPS18	1
M8310N	2
M8440N	2
VTH6x30A	2