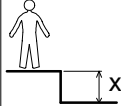
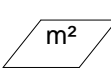




6→14

Pro ludie

| N° |  |  |
|----|---|---|
| 1 | 1.3 m | 16 m ² |

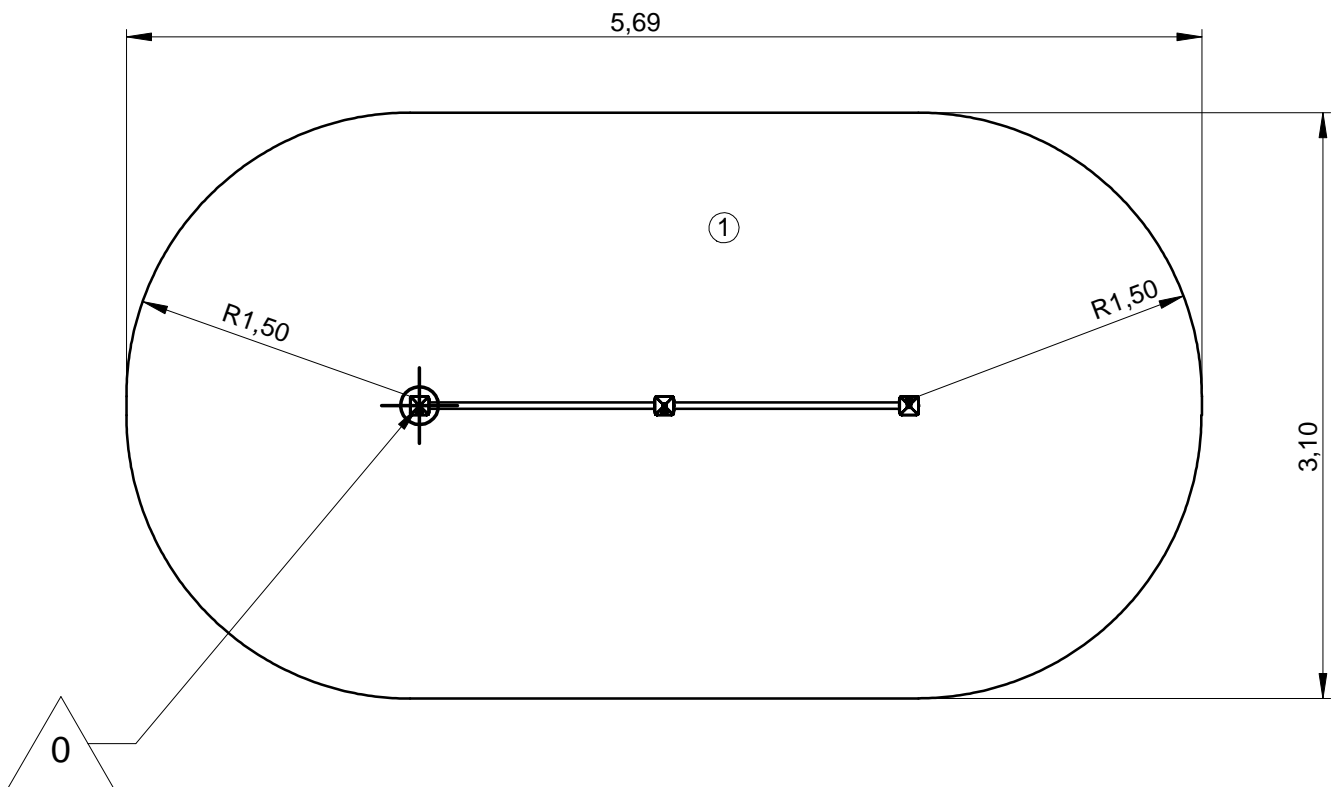
— Zone d'impact
Impact area
Area de impacto
Fallraum
Valzone

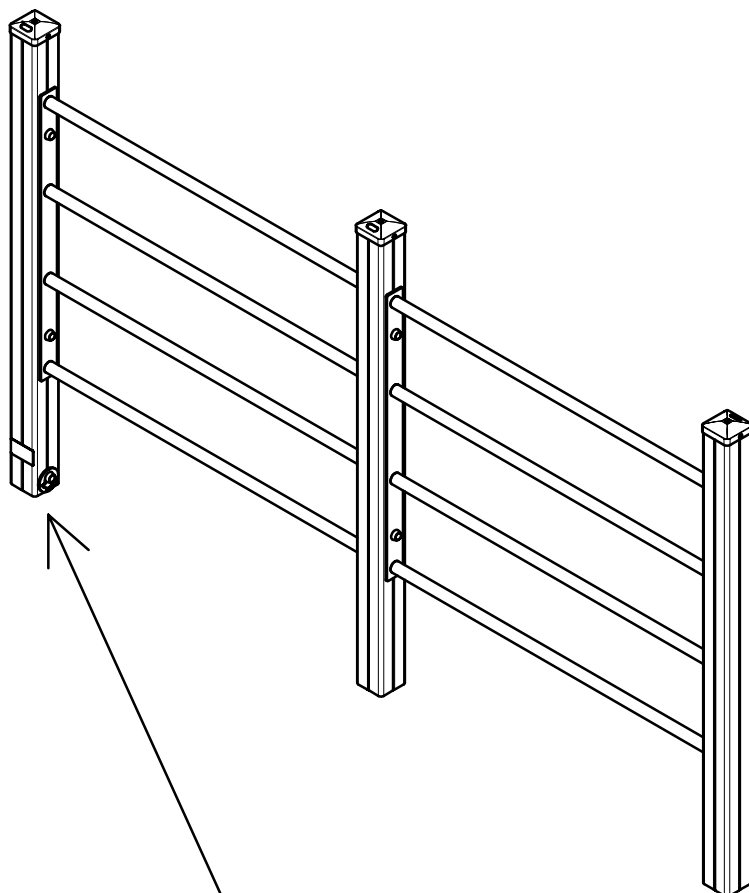


Point de référence
Setting out point
Punto de referencia
Bezugspunkt
Referentiepunt

- - - Espace libre
Free space
Espacio libre
Freiraum
Vrije ruimte

EN16630 : 2015





LA000

M1002

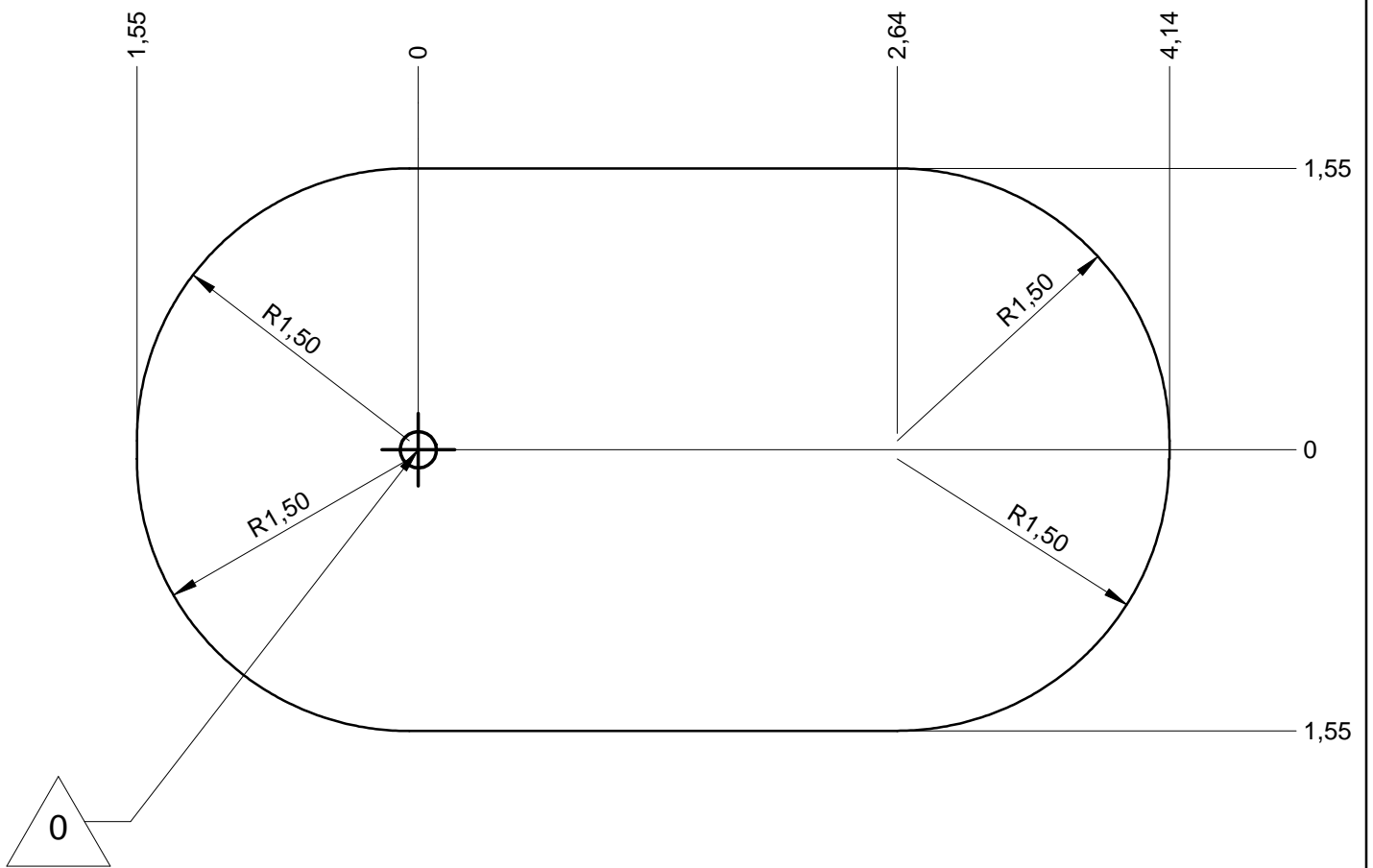
M8310N

VTH6x30A

M8440N

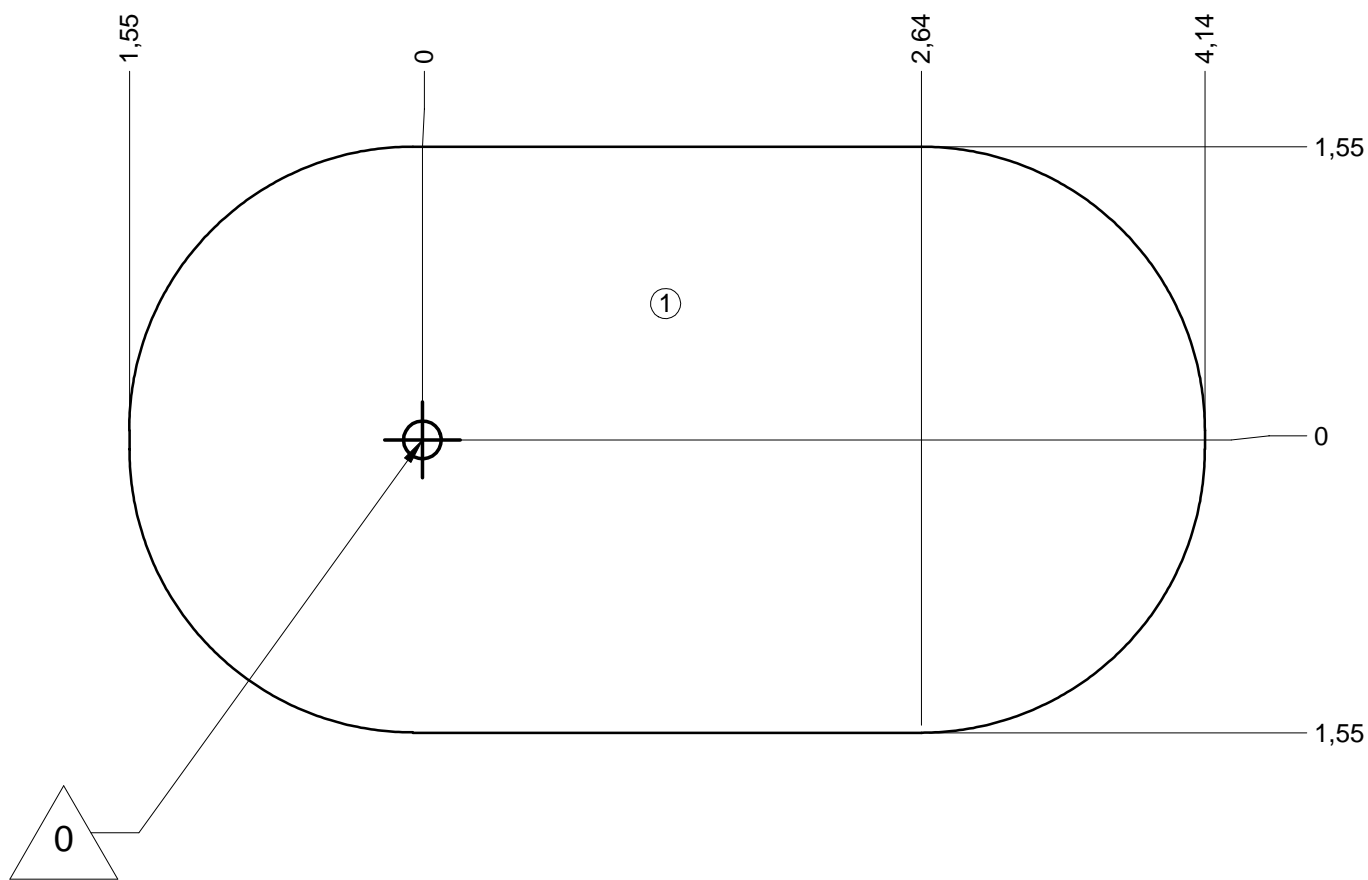
— Zone d'impact
Impact area
Area de impacto
Fallraum
Valzone

16 m²

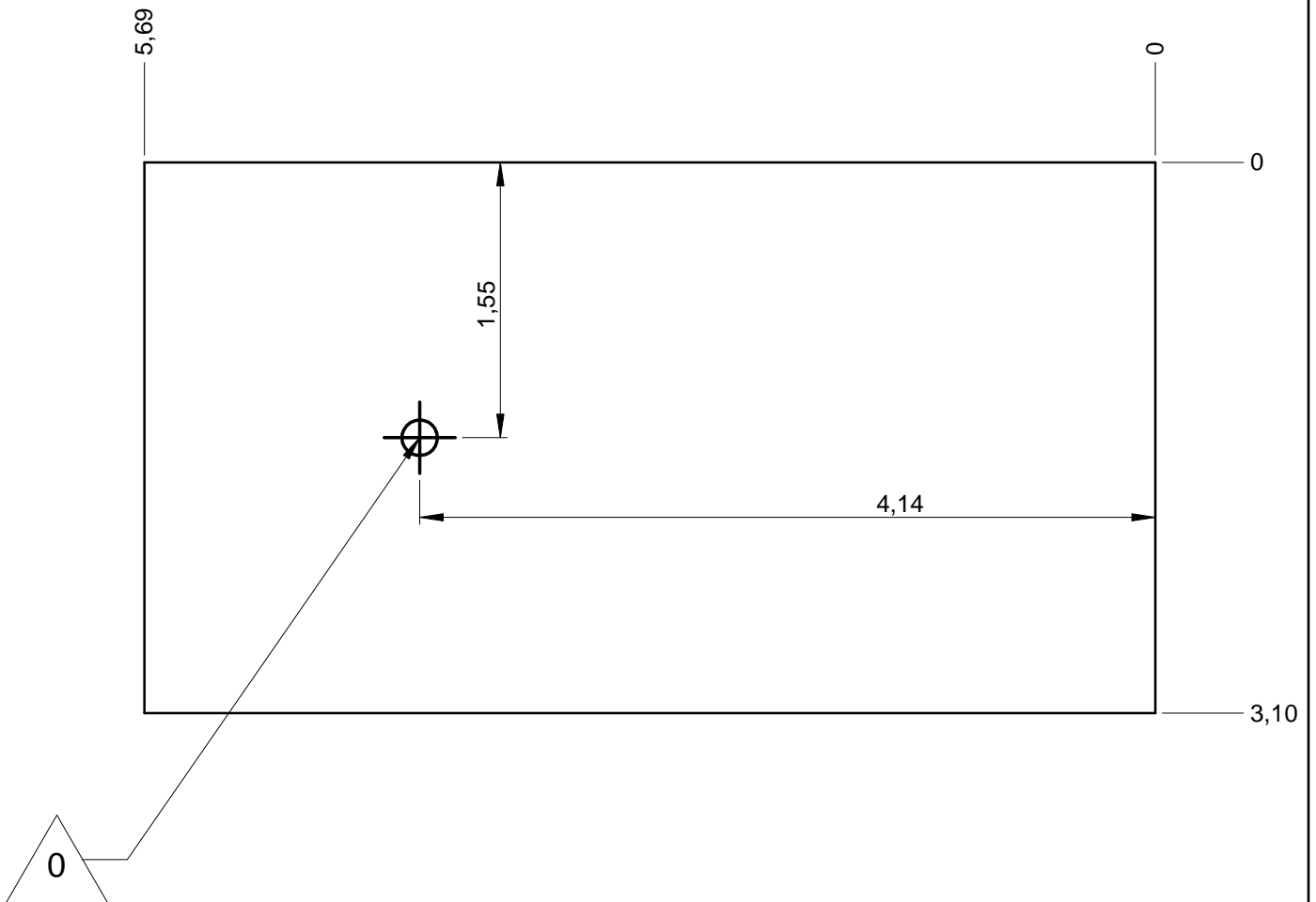


— Sol souple
Wetpour
Caucho continuo
Synthetischer fallschutz
Gietvloer

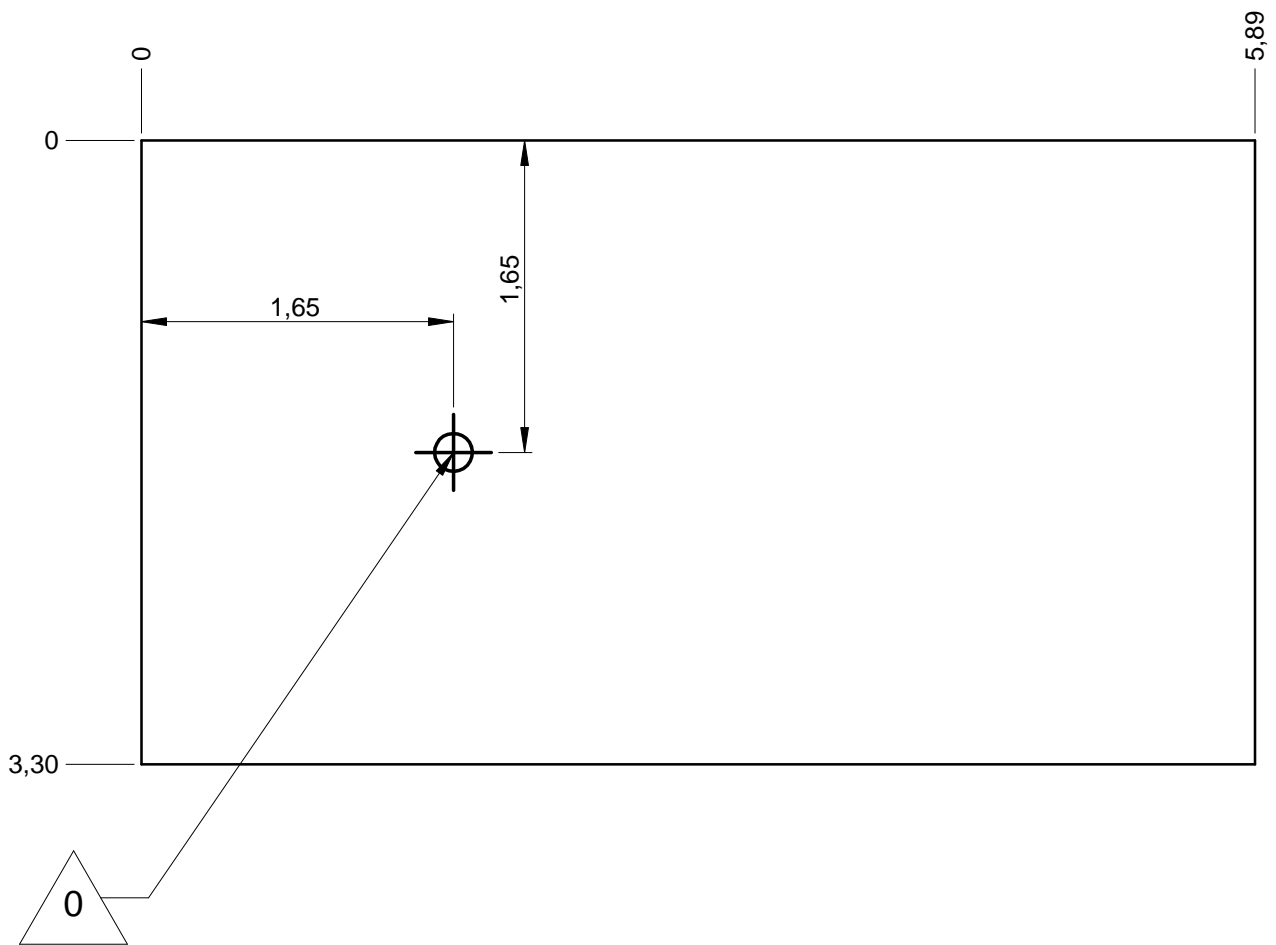
16 m²

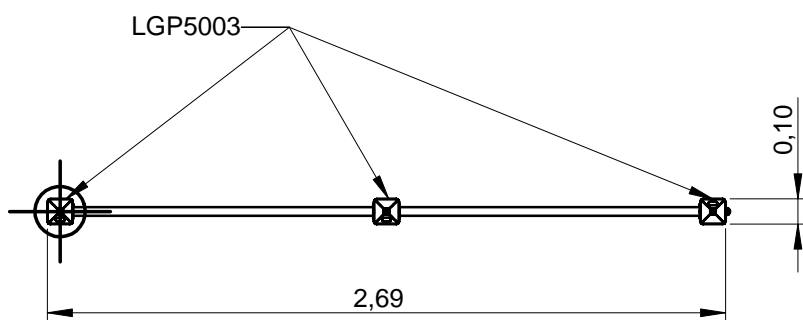


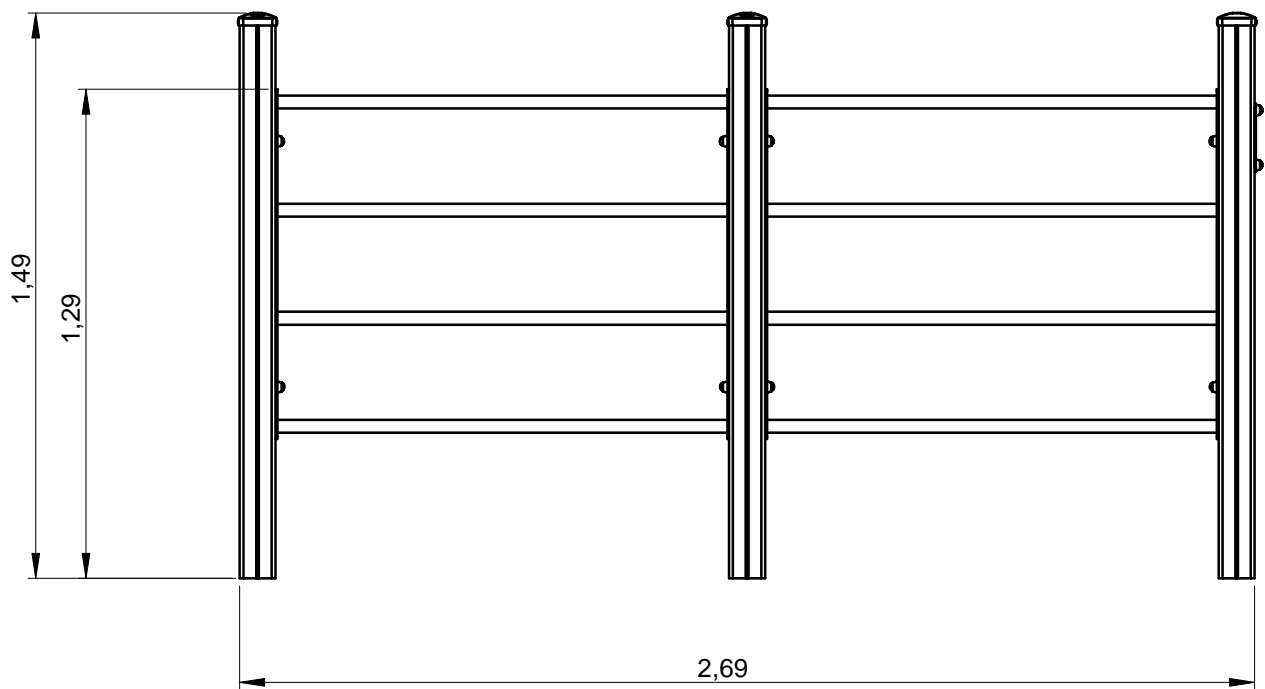
— Dalle béton **17.5 m**
Concrete pad
Solera de hormigon **17.5 m²**
Beton bodenplatte
Betonnen bodemplaat



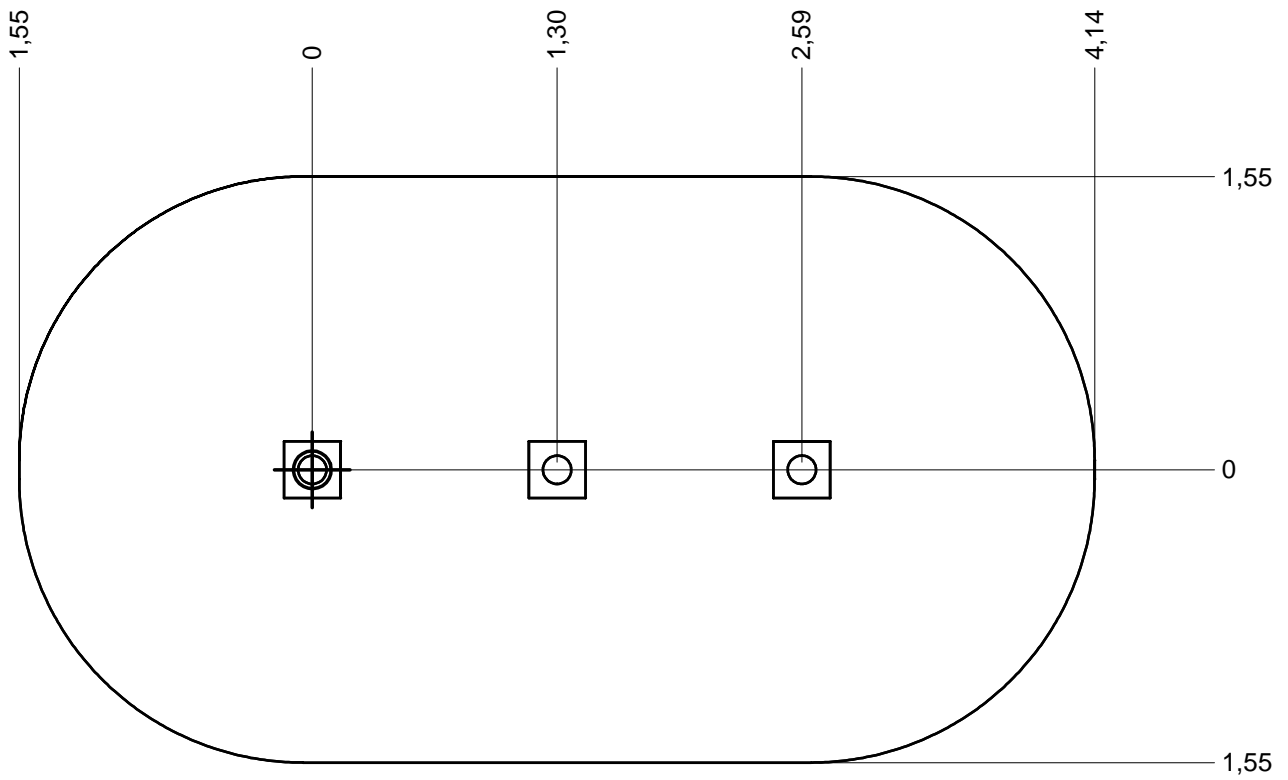
— Sol fluent
Loos partucule material **18.5 m**
Arenero
Loses Bodenmaterial **19.5 m²**
Los bodemateriaal



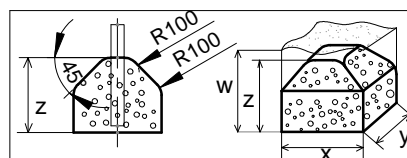




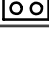


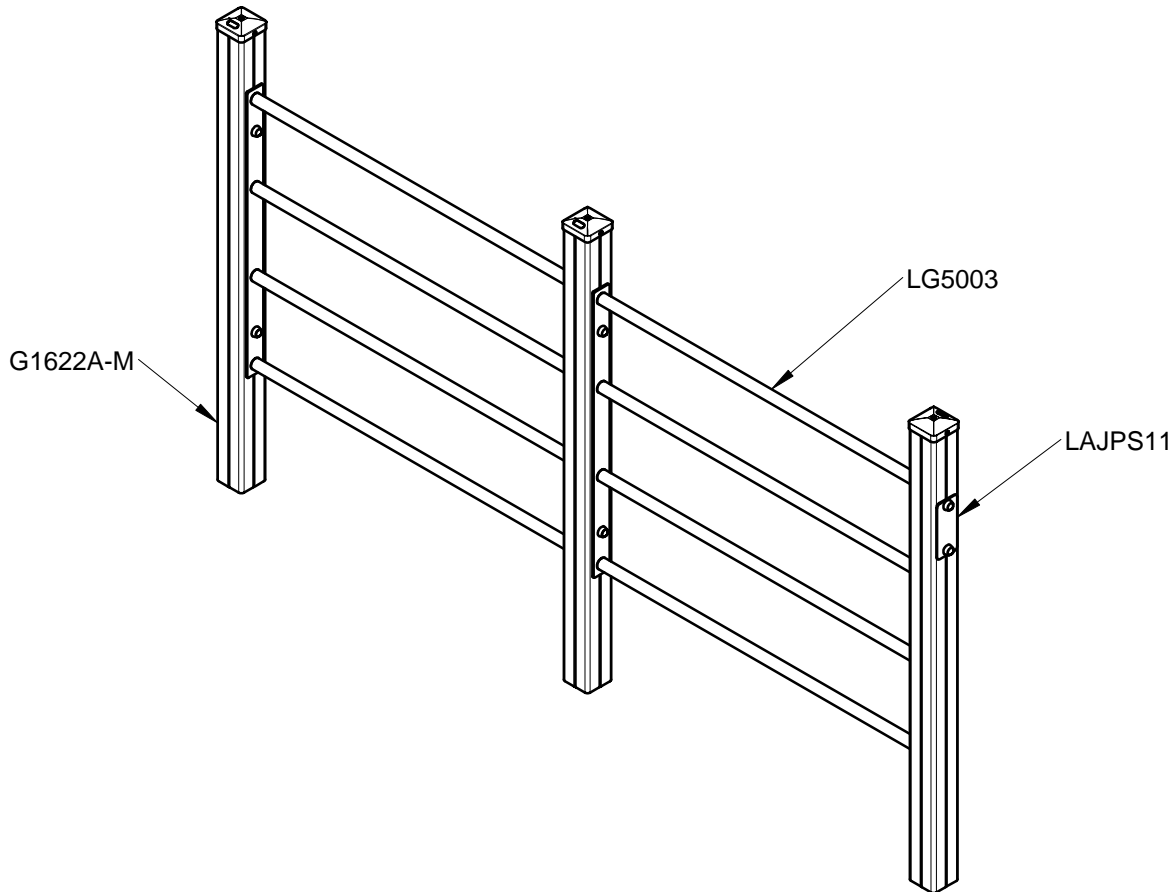
Implantation
 Footing plan
 Implantación
 Fundomentplan
 Funderingstekening



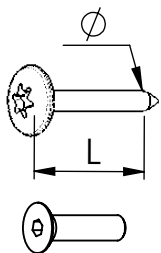
 x2
 2H
 0.1 m³



| | x | y | z | w |
|---|-----|-----|-----|-----|
|  | 0.3 | 0.3 | 0.3 | 0.6 |
|  | 0.4 | 0.4 | 0.3 | 0.6 |
|  | 0.6 | 0.3 | 0.3 | 0.6 |



| REF | QTE |
|----------|-----|
| G1622A-M | 3 |
| LAJPS11 | 1 |
| LG5003 | 2 |
| M8310N | 10 |
| M8440N | 10 |
| VTH6x30A | 10 |



VBT 6 x 30
 \varnothing \uparrow L (mm)

VFHC



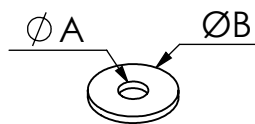
VEC M10
 \varnothing




VEF



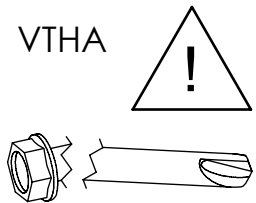
VEB



VR6x18
 $\varnothing A$ $\varnothing B$

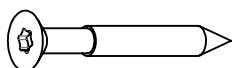


1000 - 1800 tr/min
 Vitesse de rotation
 Rotation speed

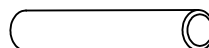


14 N.m
 Couple de rupture
 Torque of break

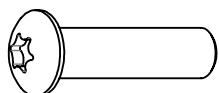
!



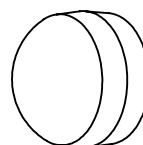
VWT



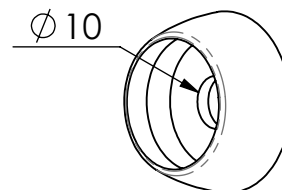
VGC



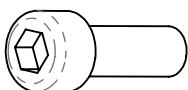
VCBHC



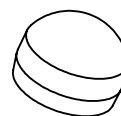
M10 440N



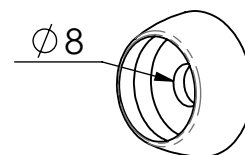
M10 310 N



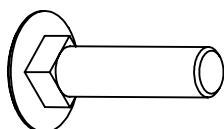
VBTR



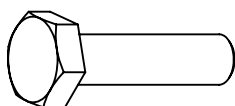
M8 440N



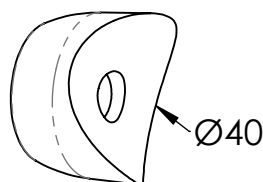
M8 310N



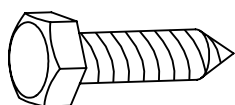
VTRCC



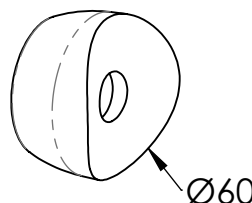
VTH



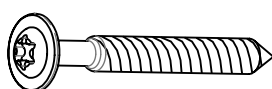
MI2503



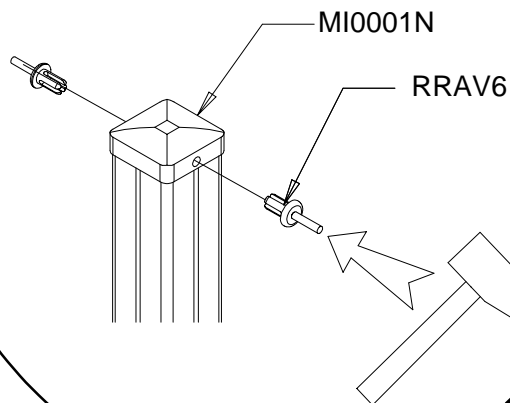
VTF



MI2701



VBT



x3

8x M8440N
8x VTH6x30A
8x M8310N

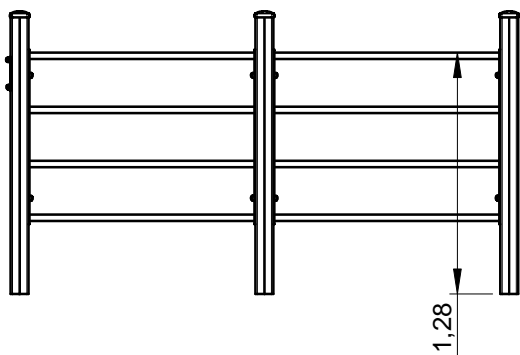
LGP5003

LG5003

LGP5003

LG5003

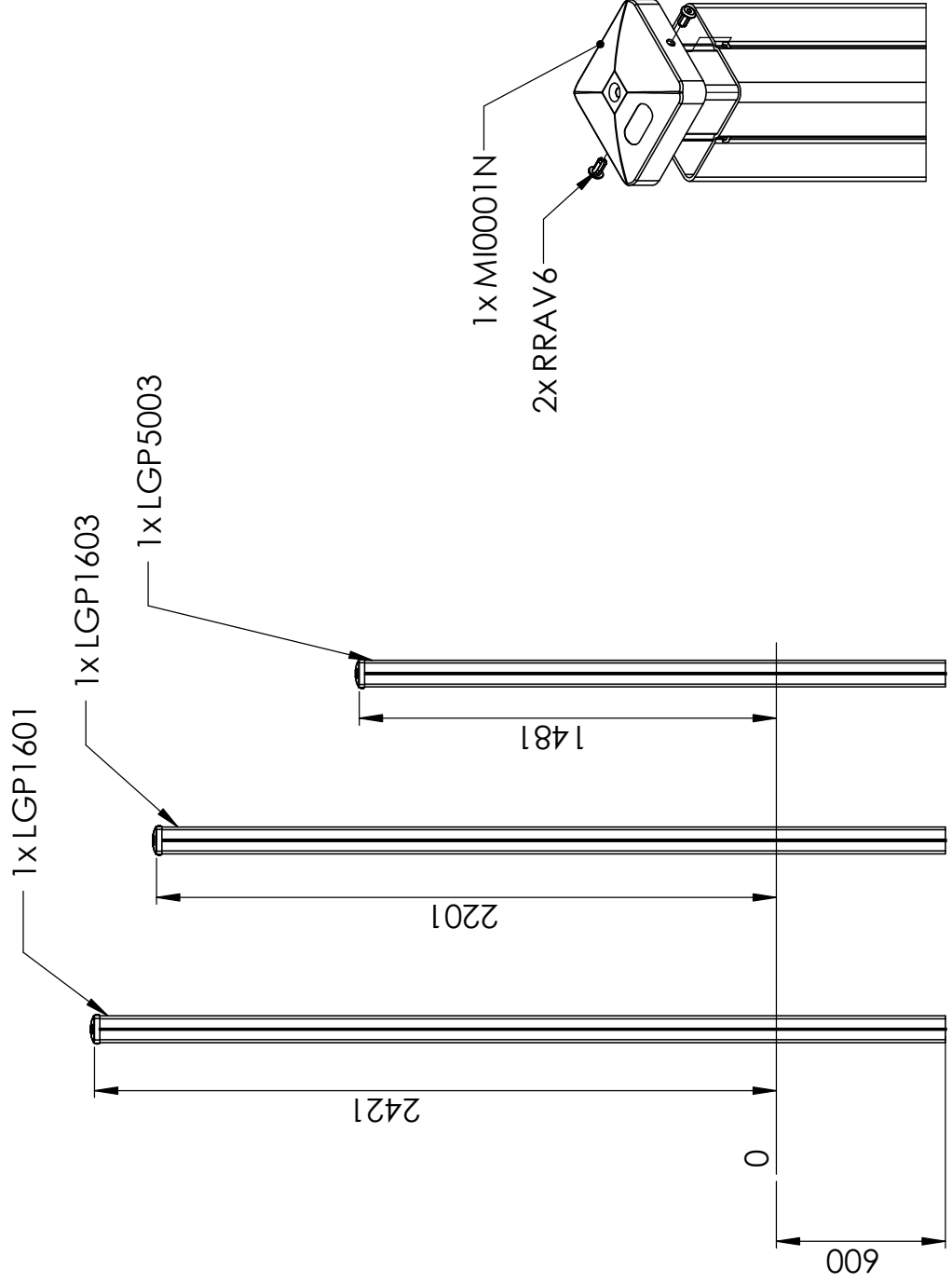
LGP5003



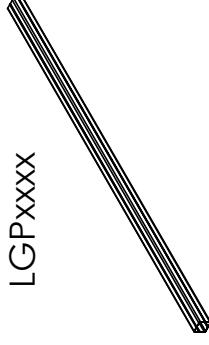
G1620A-M



G1621A-M

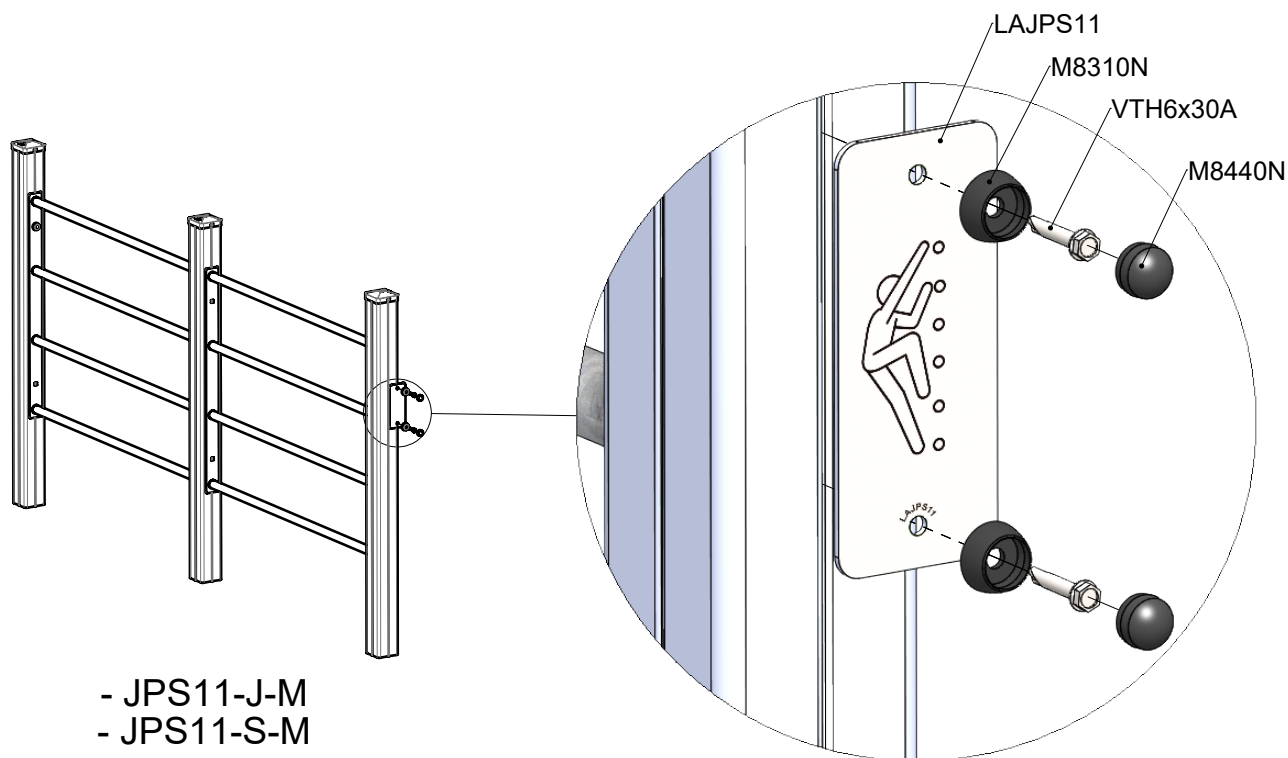
G1622A-M



LGPXXXX



| | | |
|---|--------|---|
|  | MI0001 | 1 |
|  | RRAV6 | 2 |



| Réf | Qté |
|----------|-----|
| LAJPS11 | 1 |
| M8310N | 2 |
| M8440N | 2 |
| VTH6x30A | 21 |