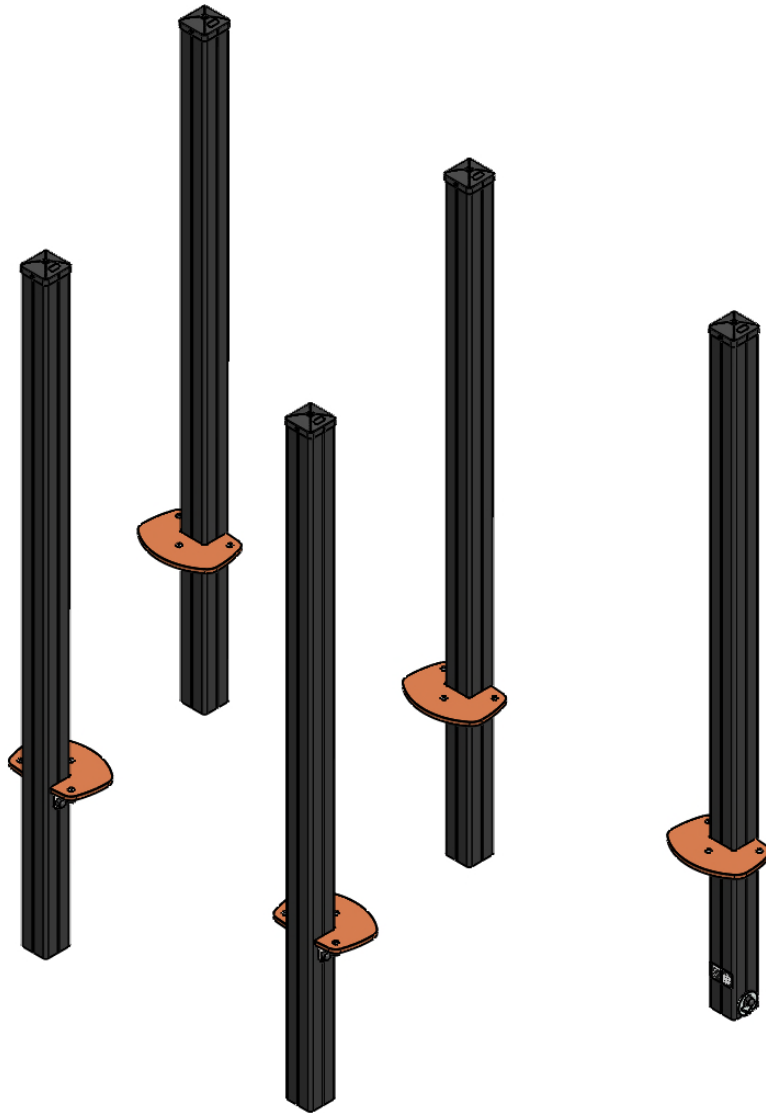


JPS10-J-M

Proludic





Pro ludic

N°		
1	0.55 m	18.5 m ²

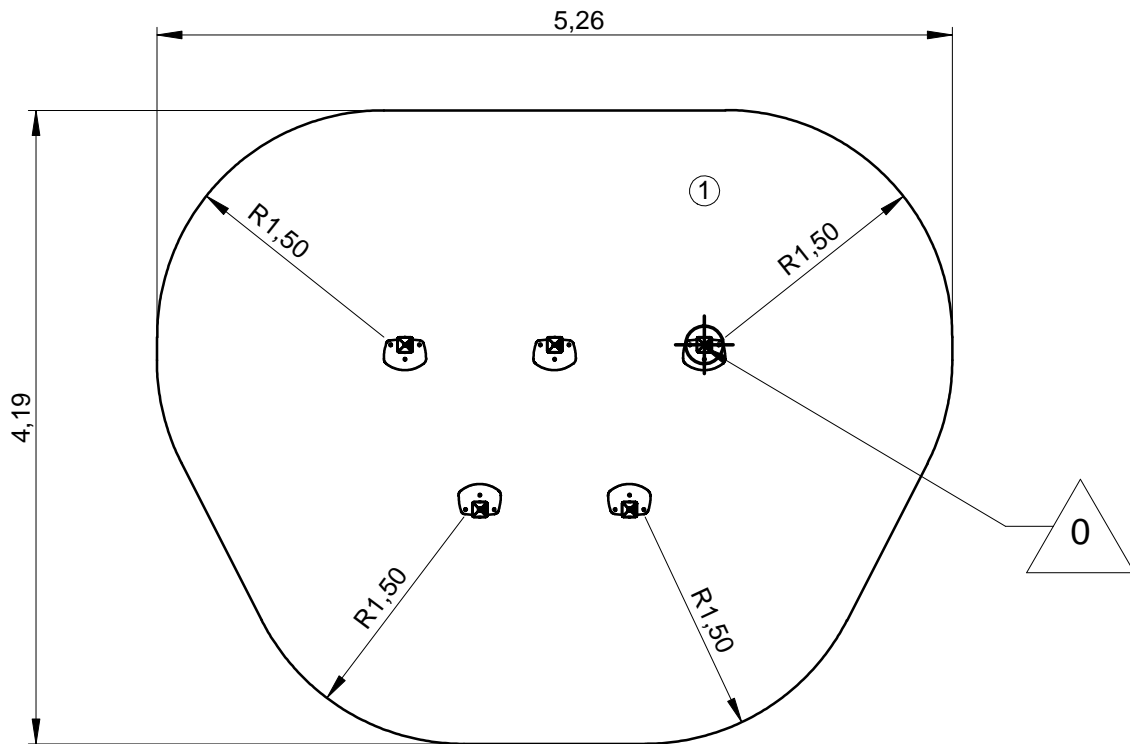
— Zone d'impact
Impact area
Area de impacto
Fallraum
Valzone

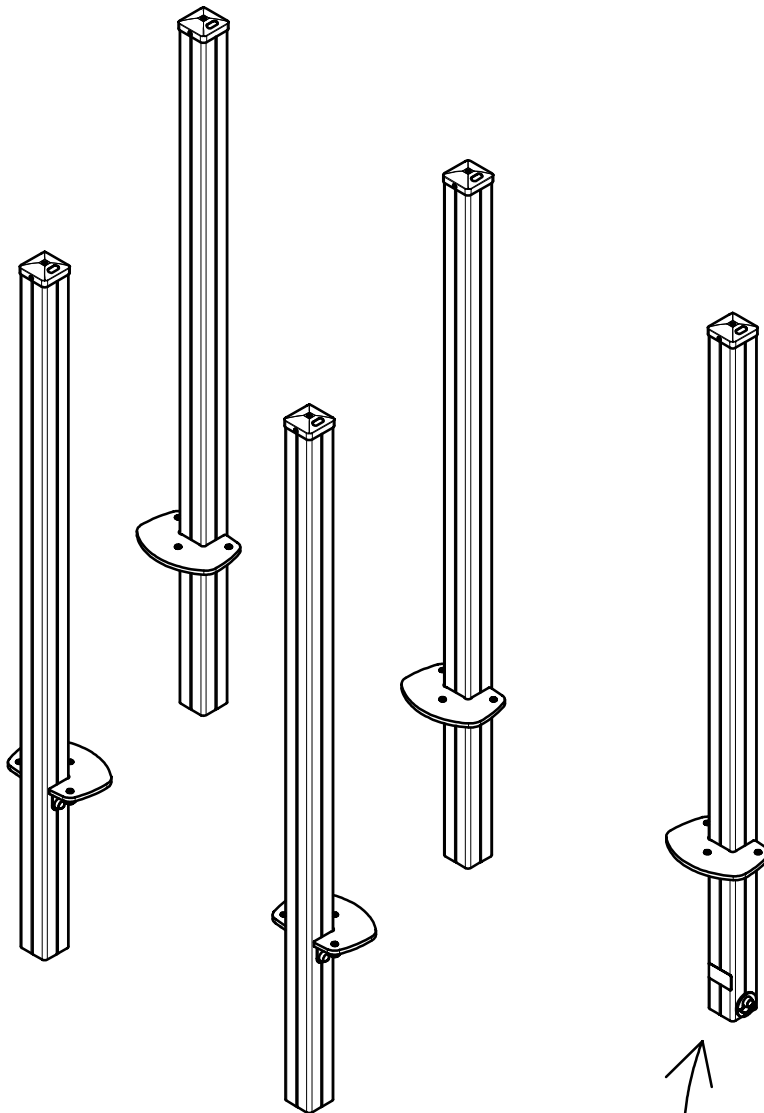


Point de référence
Setting out point
Punto de referencia
Bezugspunkt
Referentiepunt

- - - Espace libre
Free space
Espacio libre
Freiraum
Vrije ruimte

EN16630 : 2015





LA000

MI002

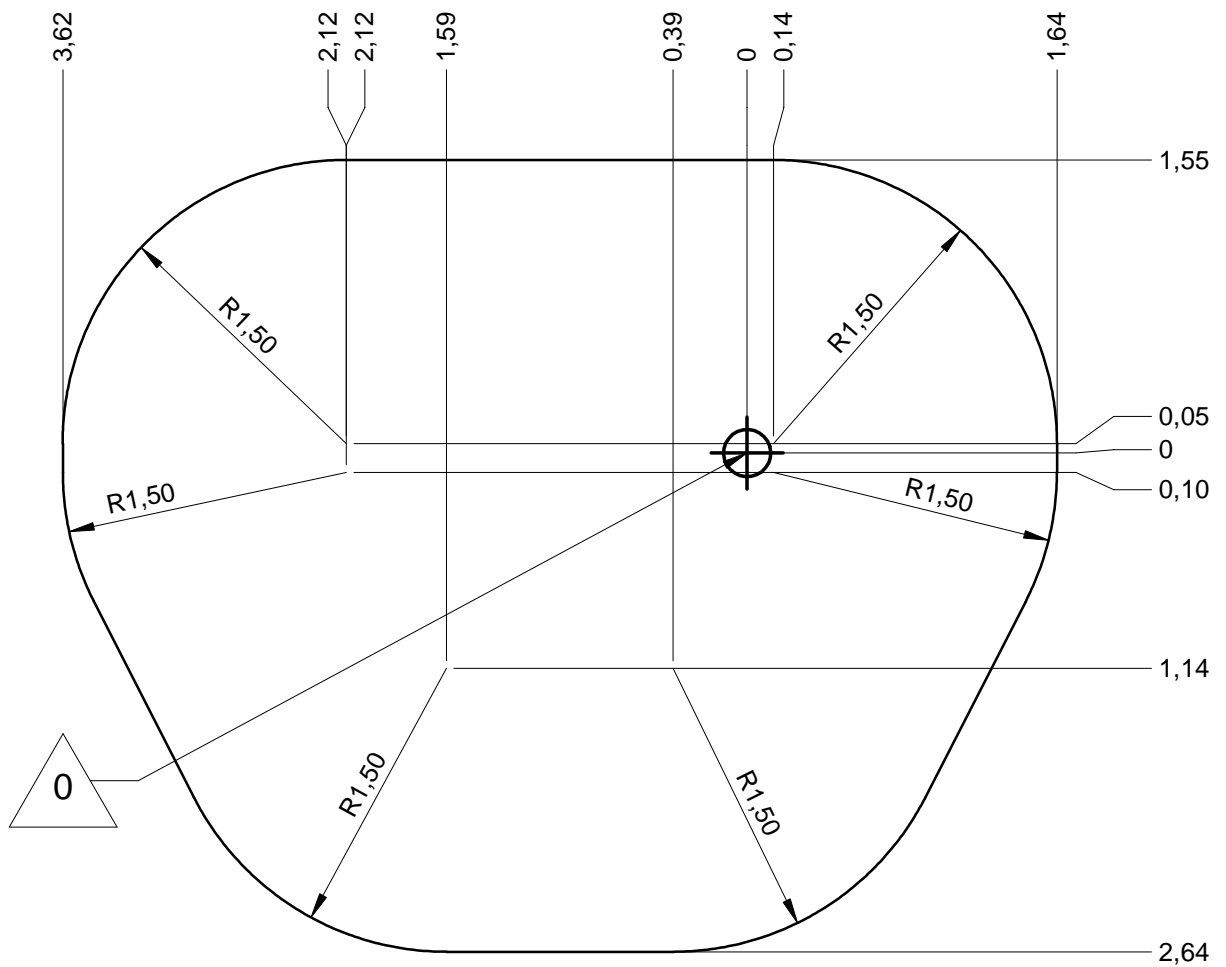
M8310N

VTH6x30A

M8440N

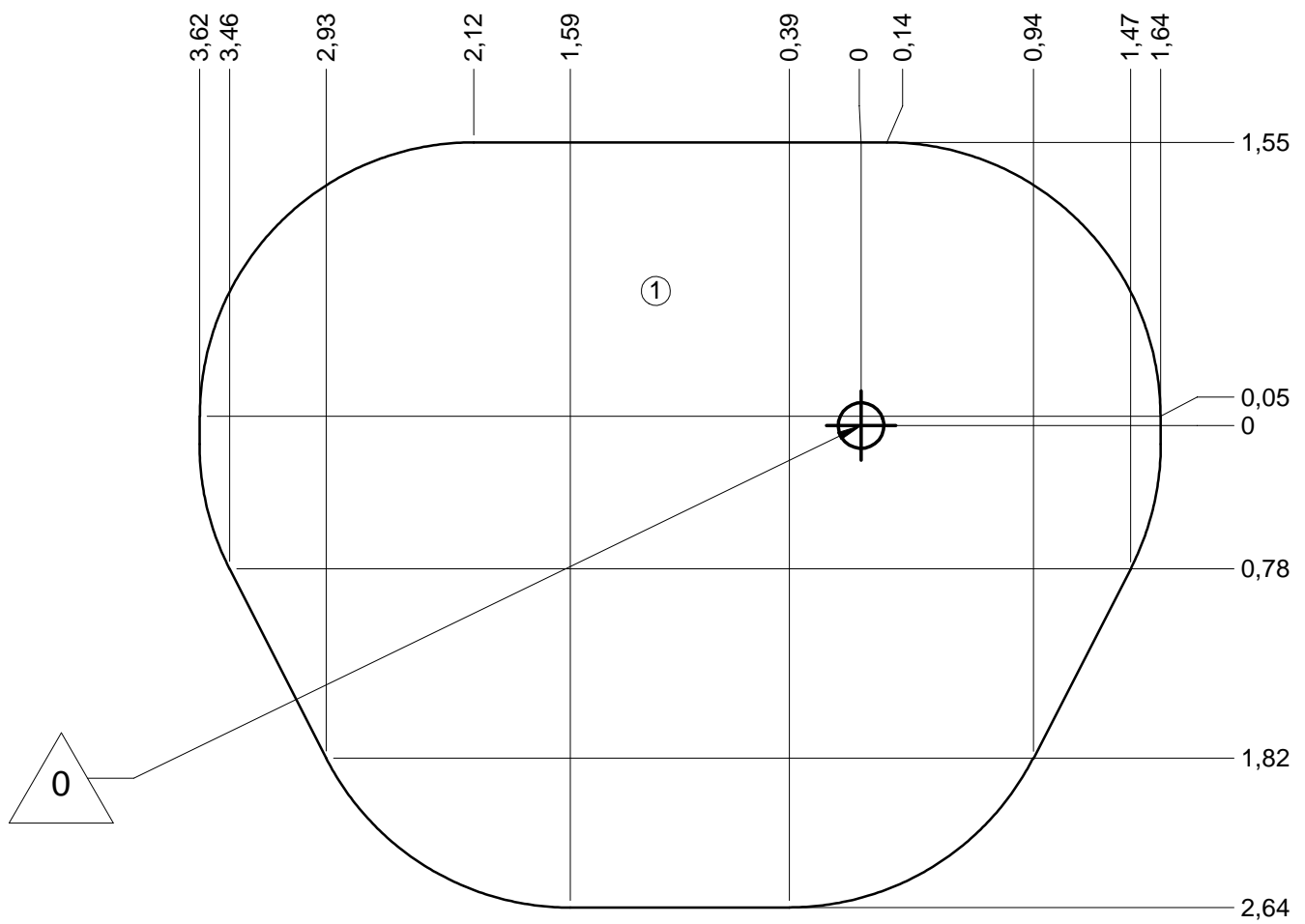
— Zone d'impact
 Impact area
 Area de impacto
 Fallraum
 Valzone

18.5 m²



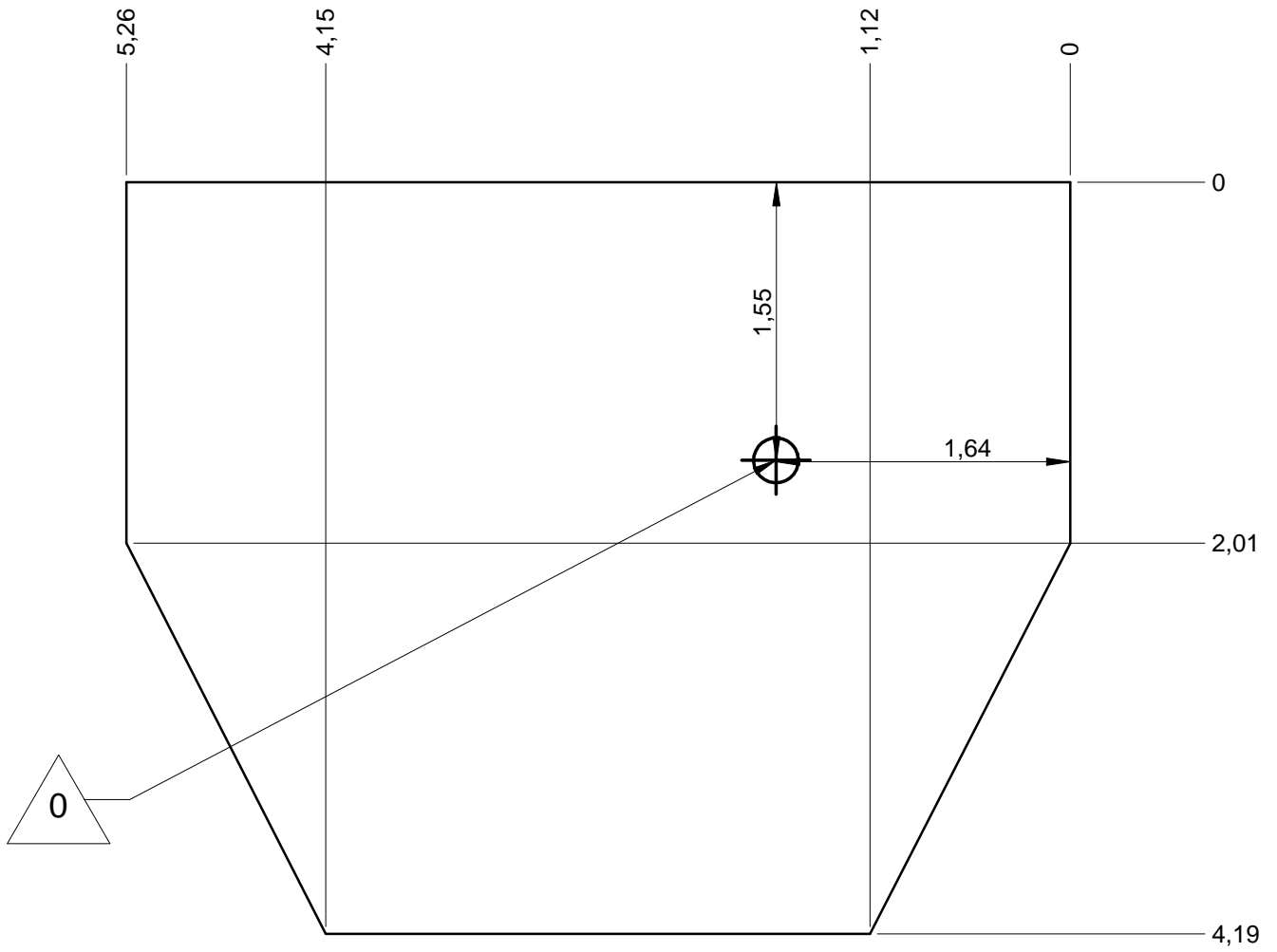
— Sol souple
 — Wepour
 — Caucho continuo
 — Synthetischer fallschutz
 — Gietvloer

18.5 m²



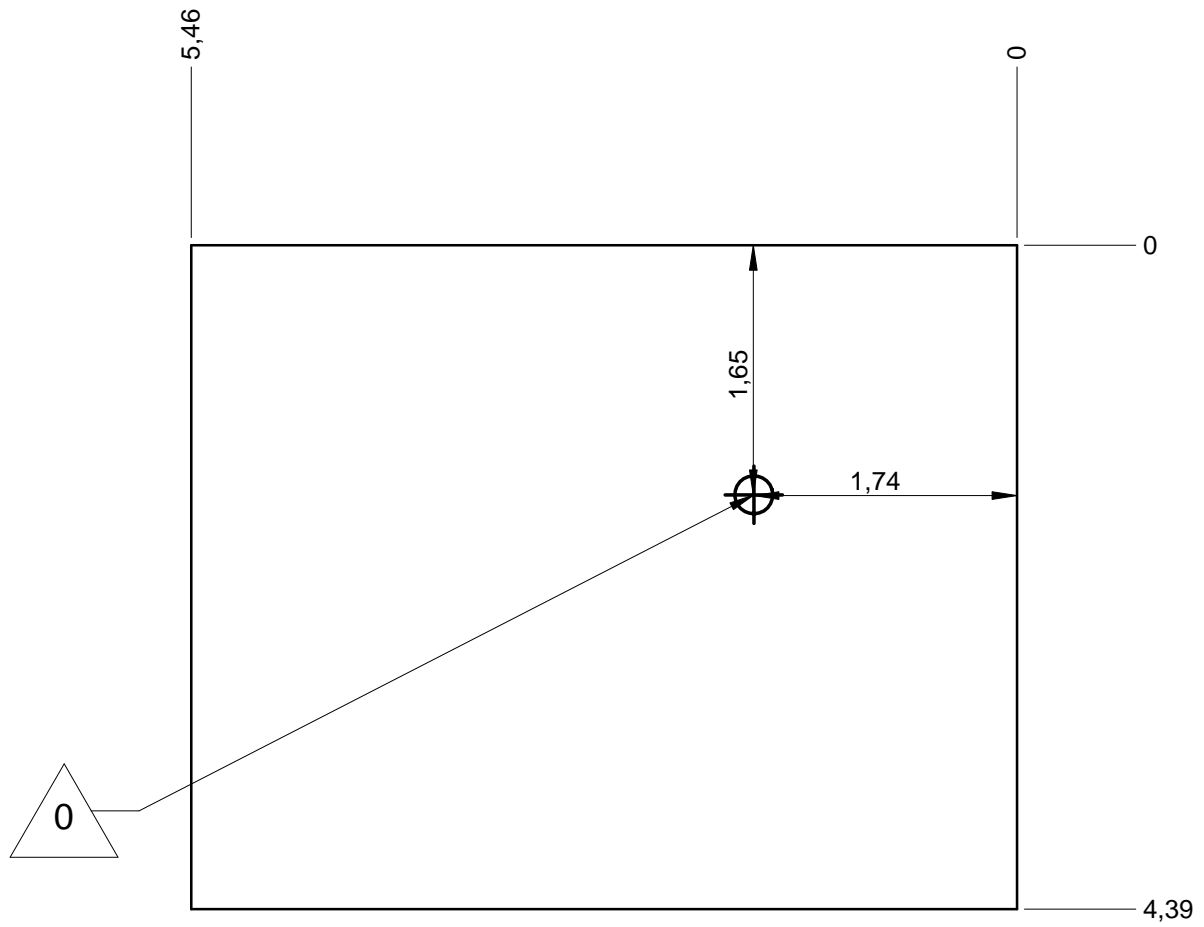
— Dalle béton
Concrete pad
Solera de hormigon
Beton bodenplatte
Betonnen bodemplaat

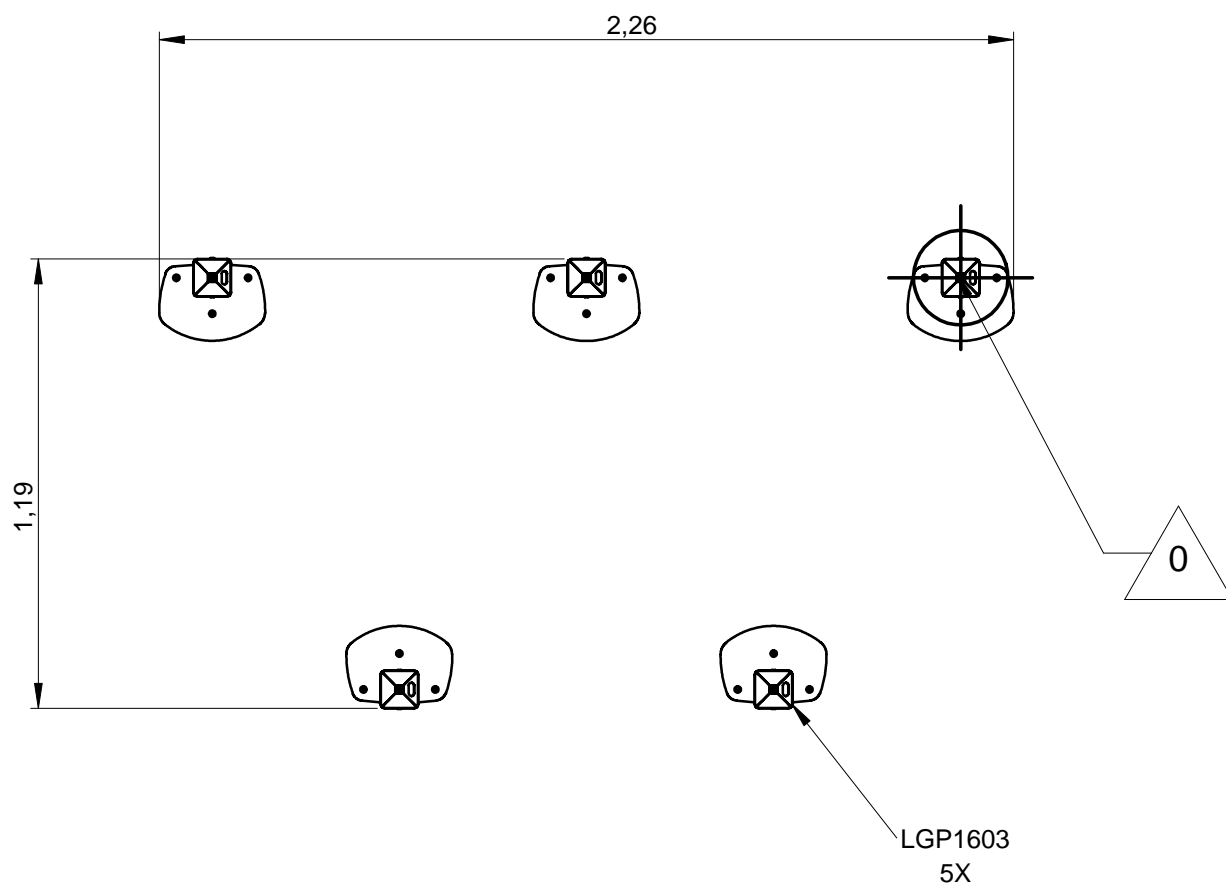
17.5 m
20 m²

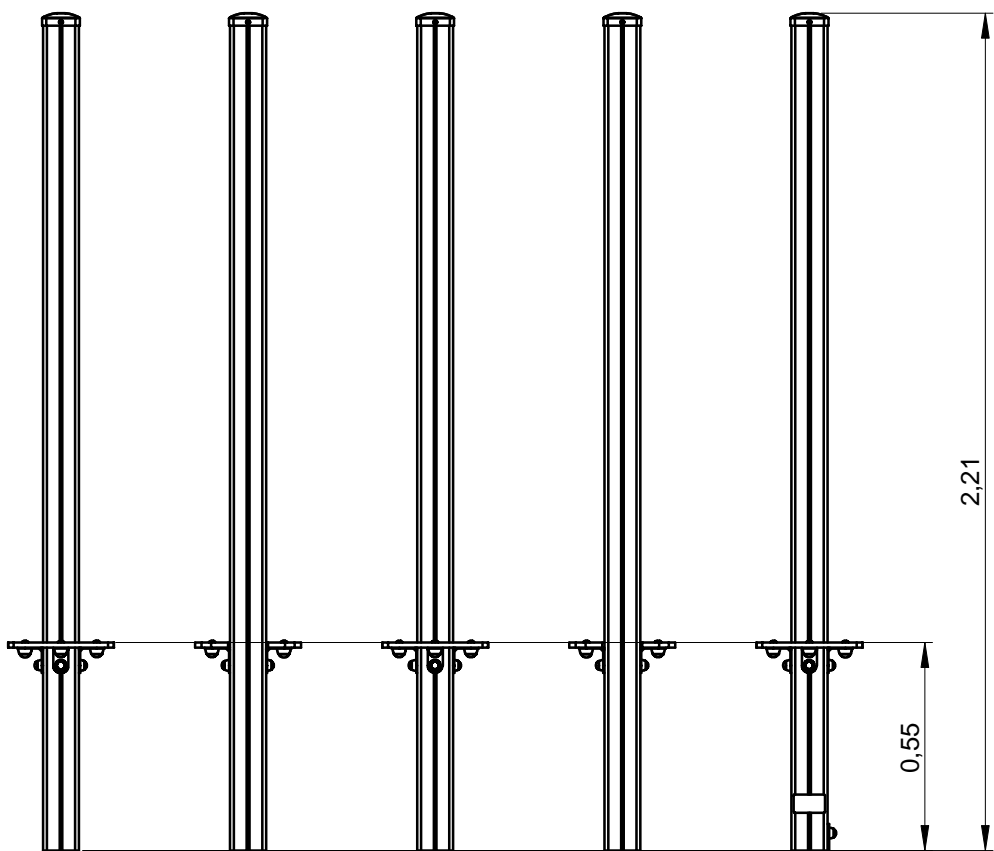


— Sol fluent
Loos partucule material
Arenero
Loses Bodenmaterial
Los bodemateriaal

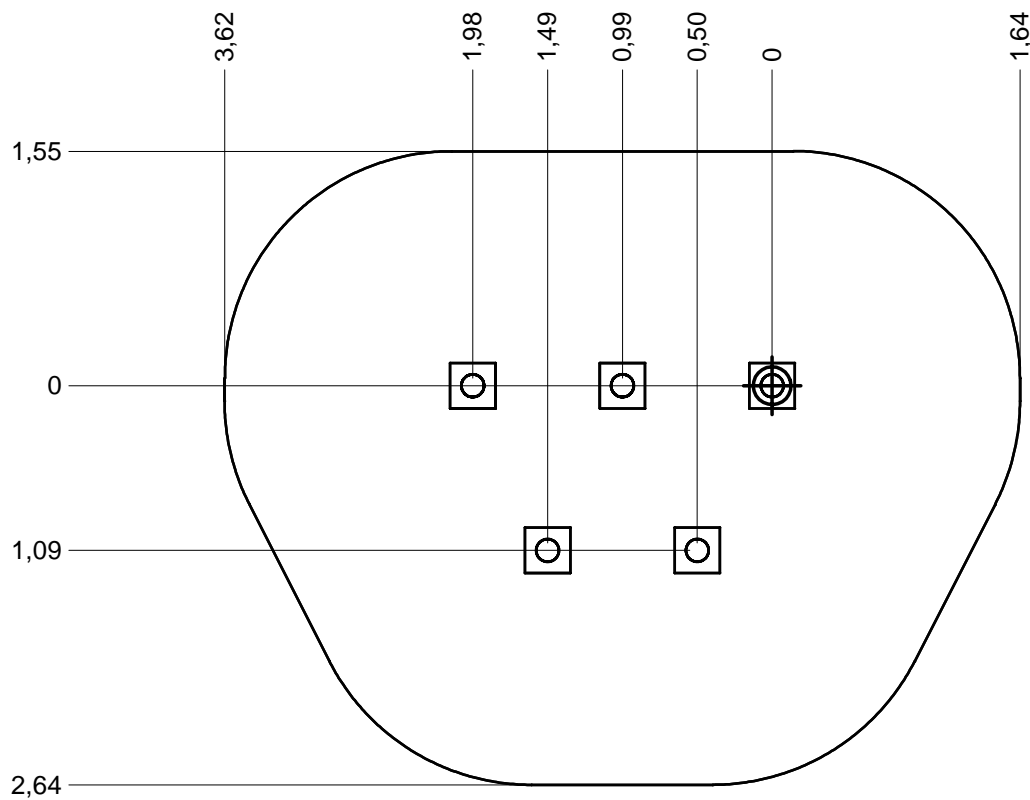
20 m
24 m²






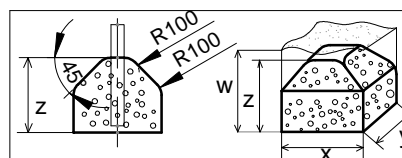




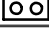


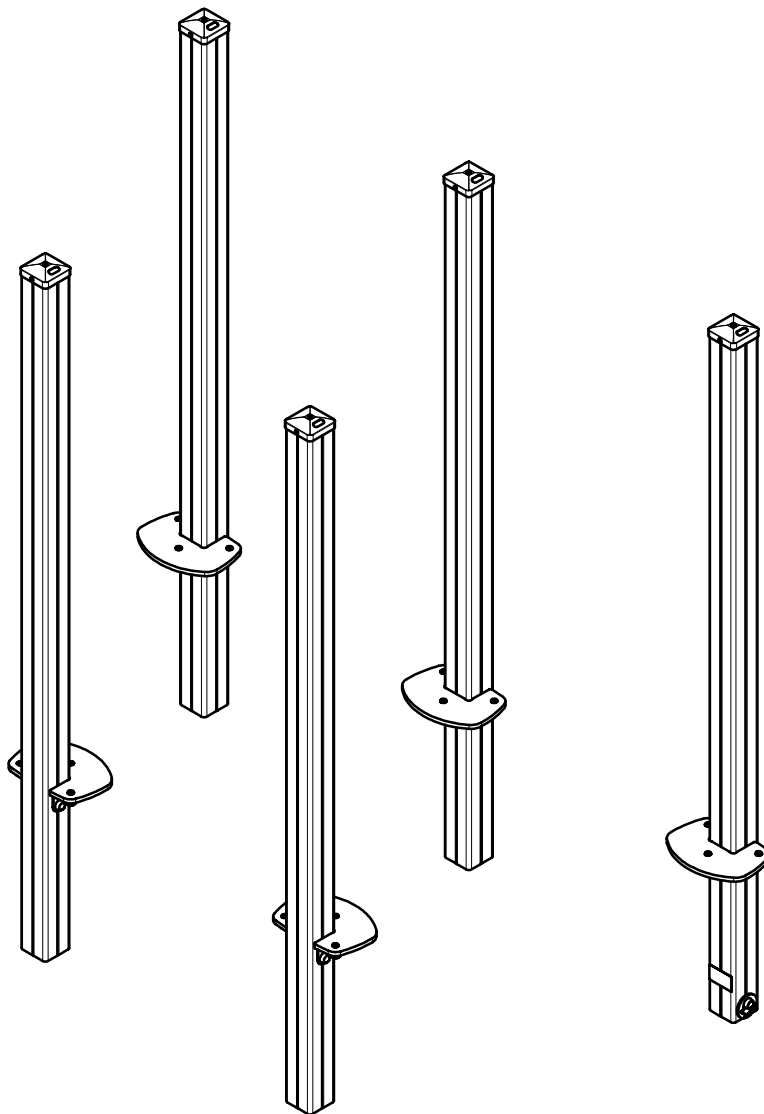
Implantation
 Footing plan
 Implantación
 Fundomentplan
 Funderingstekening



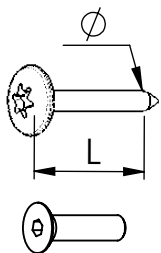
 x2
 3H
 0.15m³



	x	y	z	w
	0.3	0.3	0.3	0.6
	0.4	0.4	0.3	0.6
	0.6	0.3	0.3	0.6



REF	QTE
FT1073	5
LGP1603	5
M8310N	16
M8440N	16
M10310N	15
M10440N	15
MI0001N	5
P30	15
RRAV6	10
VCBHCM10x30I	15
VEFM10	15
VTH6x30A	16



VBT 6 x 30
 \varnothing \uparrow L (mm)

VFHC



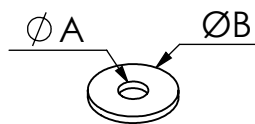
VEC M10
 \varnothing




VEF




VEB



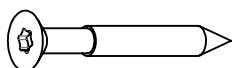
VR6x18
 $\varnothing A$ $\varnothing B$



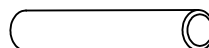
1000 - 1800 tr/min
 Vitesse de rotation
 Rotation speed



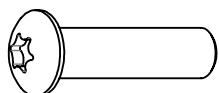
14 N.m
 Couple de rupture
 Torque of break



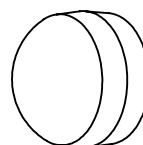
VWT



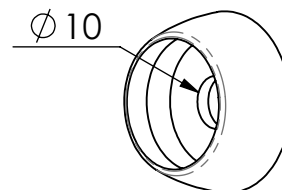
VGC



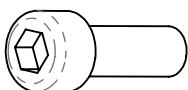
VCBHC



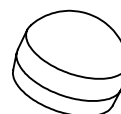
M10 440N



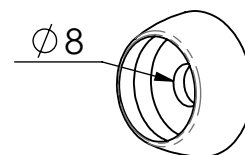
M10 310 N



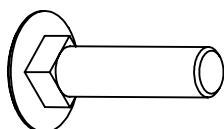
VBTR



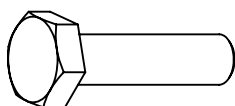
M8 440N



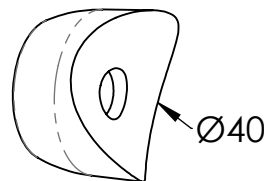
M8 310N



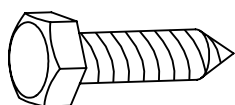
VTRCC



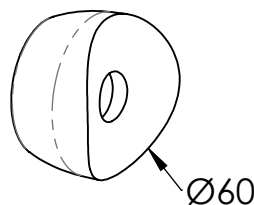
VTH



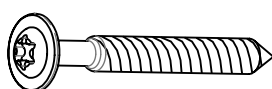
MI2503



VTF



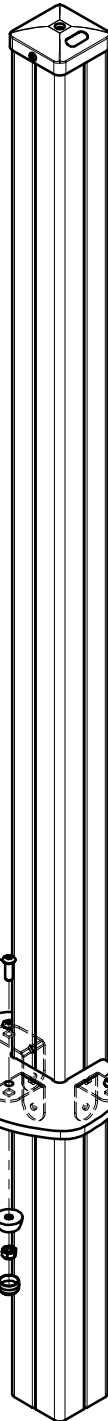
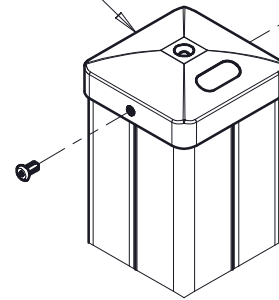
MI2701



VBT

MI0001N

RRAV6
2x



LGP1603

VCBHCM10x30I
3x

FT1073

P30
3x

3x M8440N
3x VTH6x30A
3x M8310N

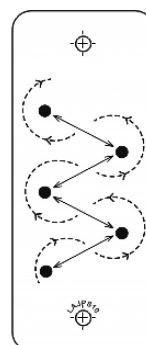
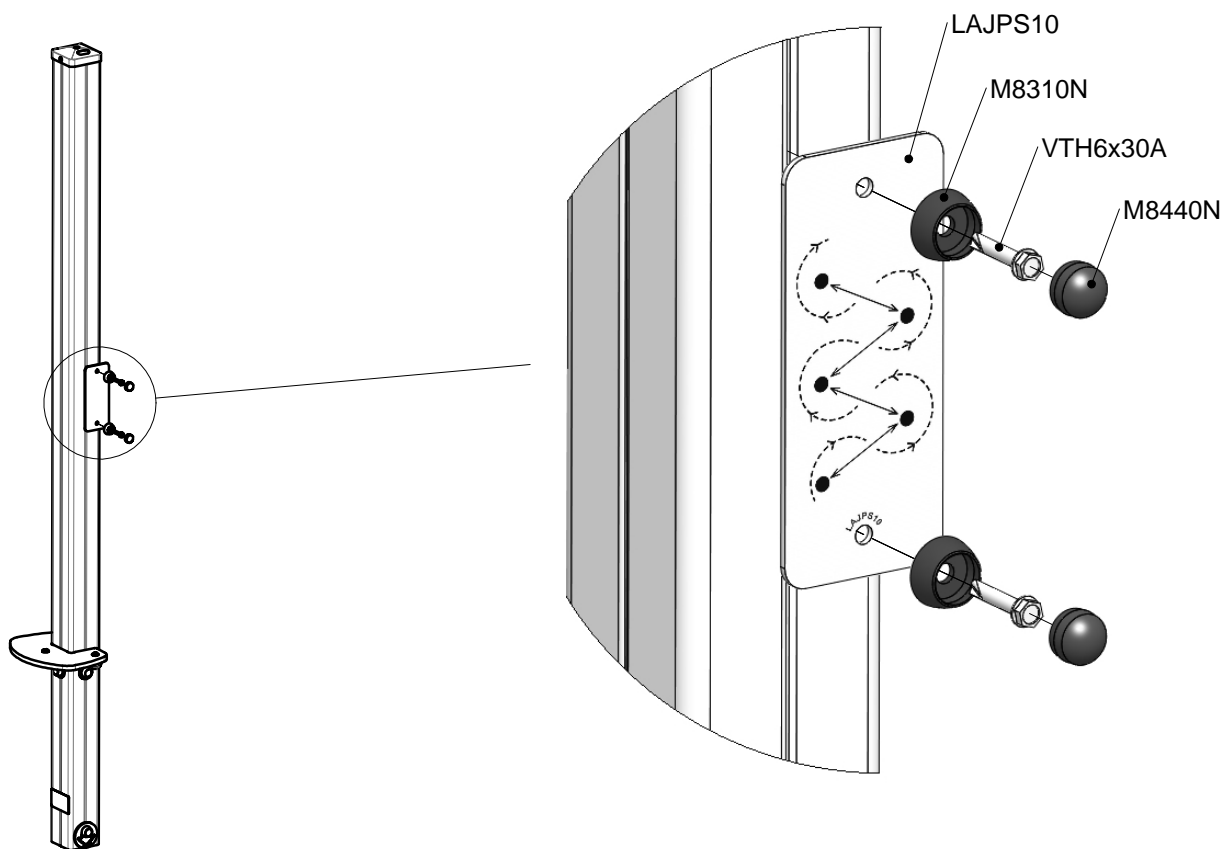
3x M10440N
3x VEFM10
3x M10310N

x5

550

0





LAJPS10

Réf	Qté
LAJPS10	1
M8310N	2
M8440N	2
VTH6x30A	2